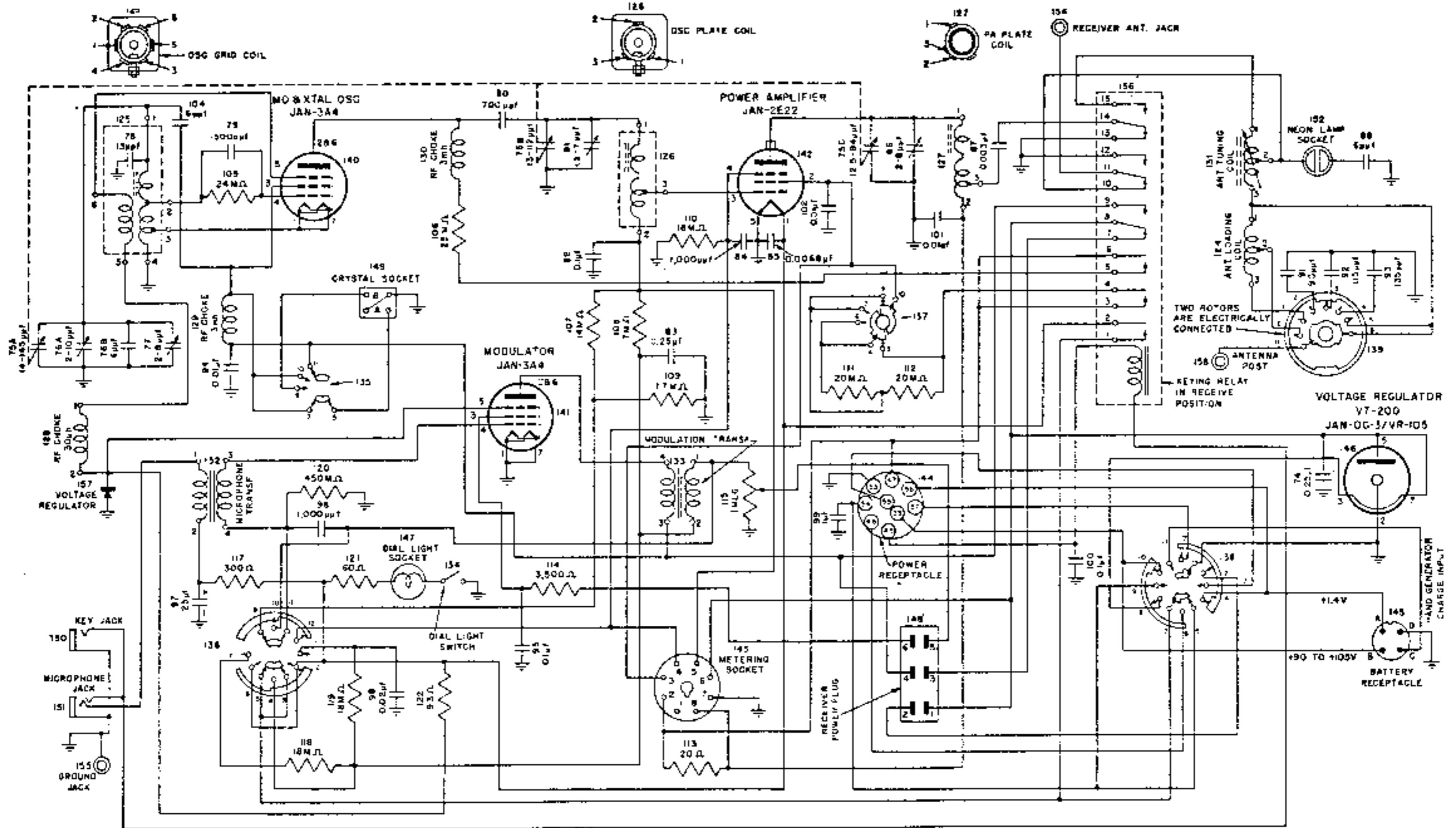


Downloaded by
RadioAmateur.EU

RECEIVER SCHEMATIC DIAGRAM

TRANSMITTER SCHEMATIC DIAGRAM



POWER RECEPTACLE 144

PIN	VOLTAGE
45	6.3 VOLTS
46	1.4 VOLTS
47	HIGH VOLTAGE (1425 TO 300 VOLTS)
54	6.3 VOLTS
56	+1.4 VOLTS
57	+105 VOLTS
58	+105 VOLTS

- NOTE:**
- 1- 135-CRYSTAL SWITCH IN POS "A"
 - 2- 136-CW-MCW-PHONE IN POS "PHONE"
 - 3- 137-HIGH-MED-LOW IN POS "HIGH"
 - 4- 138-SEND-STANDBY-OFF IN POS "STANDBY"
 - 5- ON SWITCHES 136, 138 & 139, TERMINAL NUMBERS ARE SHOWN ON LEADS TO RESPECTIVE TERMINALS
 - 6- 139-ANTENNA SELECTOR SWITCH IN POS "5"
 - 7- SWITCHES, SOCKETS, AND COILS VIEWED FROM REAR OF CHASSIS (BOTTOM)

RECEIVER POWER PLUG 48

PIN	VOLTAGE
1	+105 VOLTS
2	+1.4 VOLTS
3	+105 VOLTS
4	+105 VOLTS WITH PHONE-CW-NET-CAL SWITCH IN NET OR CAL POSITION
5	SIDE TONE
6	+105 VOLTS WITH PHONE-CW-NET-CAL SWITCH IN PHONE OR CW POSITION AND SEND-STANDBY-OFF SWITCH IN SEND POSITION

Downloaded by
RadioAmateur.EU