

TM 10-1546

K II

6 van. b. MC. 1,0/631
5 ton 4x2 6 Rpl. lens.

NO-28-
7-54

PARTS LIST



U. S. GOVERNMENT VEHICLES

5 TON - 4 x 2



MODELS

EH—5 TON—4 x 2 TRUCK—CONVENTIONAL CAB

EHU—5 TON—4 x 2 TRUCK—C.O.E. TYPE CAB

EHT—5 TON—4 x 2 TRACTOR TRUCK—CONVENTIONAL CAB

EHUT—5 TON—4 x 2 TRACTOR TRUCK—C.O.E. TYPE CAB

CONTRACT W-670-ORD-3339


CONTRACT W-398-QM-12933

MACK

TM-1546 This parts list covers all vehicles of supply Mech. Contract S/A 2765.

TM 10-1546

August, 1942



TM 10-1546

WAR DEPARTMENT

WASHINGTON, MAY 22, 1942

TM 10-1546. Parts List. Tractor-Truck,
4x2. Mack (Models EH, EHU, EHT, EHUT)
published by the Mack Manufacturing
Company is furnished for the information
and guidance of all concerned.

(AG 062.11 (4/26/41) PC (C), June 10, 1941.)

By order of the Secretary of War:

G. C. MARSHALL
Chief of Staff.

Official:

J. A. ULIO,
Major General,
The Adjutant General.

PARTS LIST NO. 1175



SGV TD

MODELS

EH 5 TON 4 x 2 TRUCK—CONVENTIONAL CAB

CHASSIS NO. EH1S2637 to 2831

CHASSIS NO. EH1S2833 to 3072

CHASSIS NO. EH1D3869 to 3943

EHU 5 TON 4 x 2 TRUCK—C.O.E. TYPE CAB

CHASSIS NO. EHU1D1425 to 1494

EHT 5 TON 4 x 2 TRACTOR TRUCK—

CONVENTIONAL CAB

CHASSIS NO. EHT1D2273 to 2412

EHUT 5 TON 4 x 2 TRACTOR TRUCK—

C.O.E. TYPE CAB

CHASSIS NO. EHUT1D1224 to 1403



**PARTS LIST
AND PRICE LIST**

Issued by

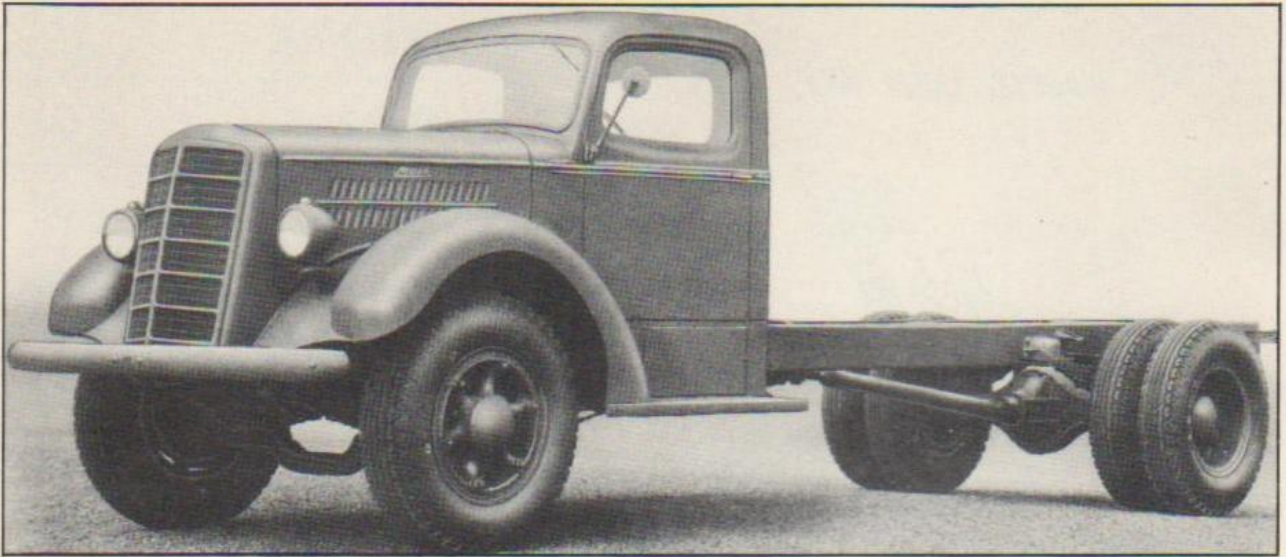
**Pricing & Specification Department
MACK MANUFACTURING CORPORATION
General Service Division
Plainfield, New Jersey**

August, 1942

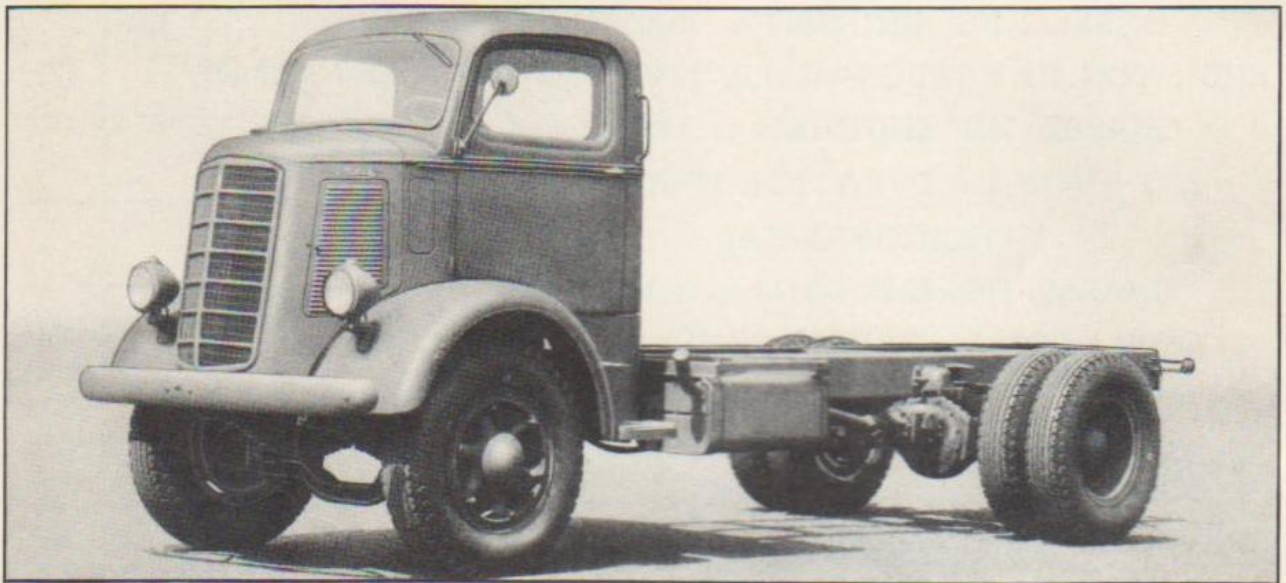
INDEX

Gov't
Group Page

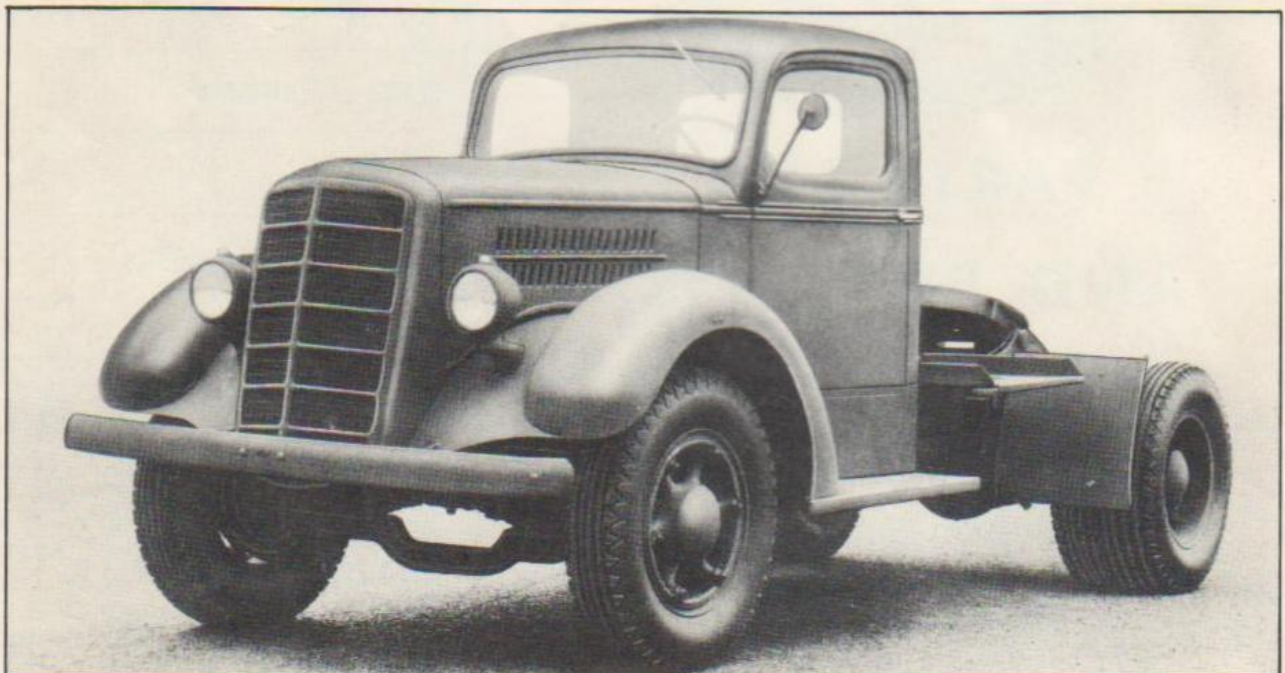
| | | |
|-----------------------|----|-----|
| Engine | 01 | 7 |
| Clutch | 02 | 21 |
| Fuel | 03 | 26 |
| Exhaust | 04 | 47 |
| Cooling | 05 | 49 |
| Electrical | 06 | 56 |
| Transmission | 07 | 72 |
| Propeller Shaft | 09 | 83 |
| Front Axle | 10 | 90 |
| Rear Axle | 11 | 91 |
| Brakes | 12 | 98 |
| Wheels | 13 | 141 |
| Steering | 14 | 145 |
| Frame | 15 | 149 |
| Springs | 16 | 158 |
| Hood—Fenders | 17 | 164 |
| Body | 18 | 169 |
| Bumper and Guards | 21 | 182 |
| Miscellaneous | 22 | 183 |
| Standard Parts | 23 | 185 |
| Bearing Chart | 25 | 195 |
| Numerical Price Index | | 197 |
| Alphabetical Index | | 213 |



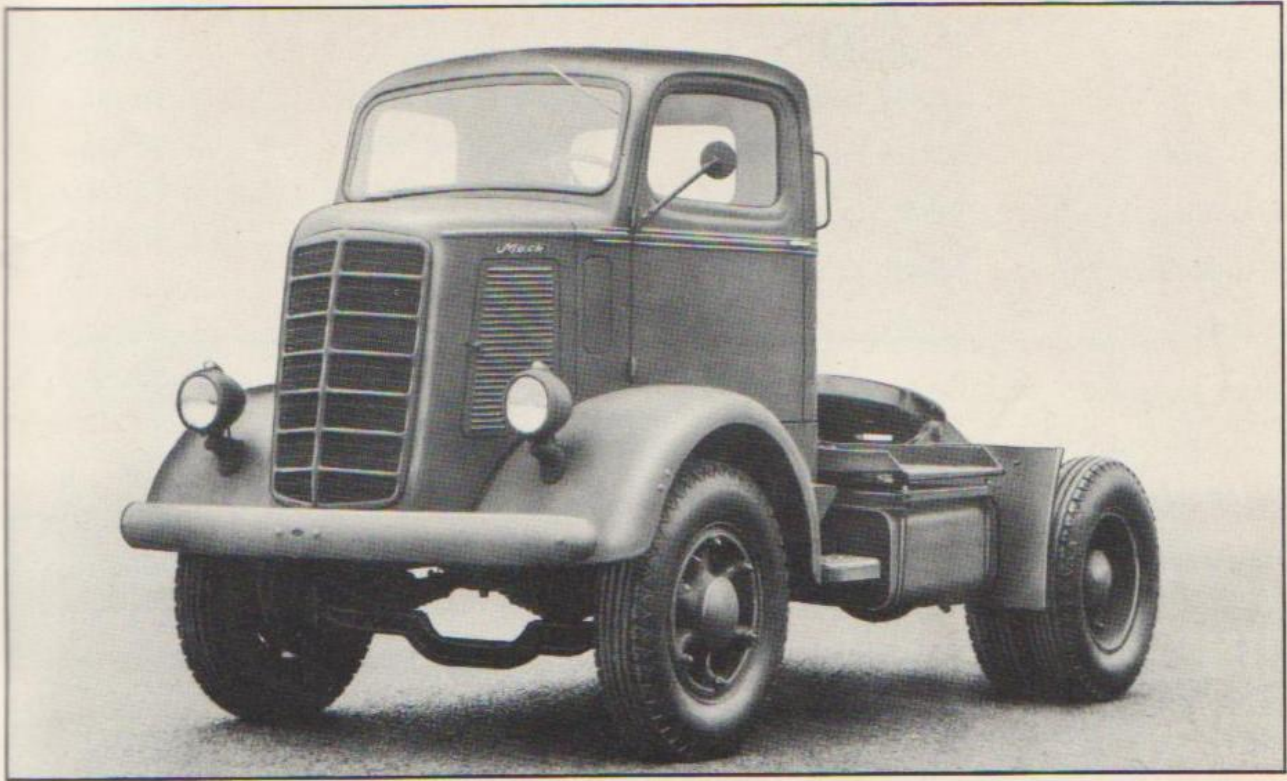
MODEL EH — 5 TON — 4 x 2 TRUCK — CONVENTIONAL CAB



MODEL EHU — 5 TON — 4 x 2 TRUCK — C. O. E. TYPE CAB



MODEL EHT — 5 TON — 4 x 2 TRACTOR TRUCK — CONVENTIONAL CAB

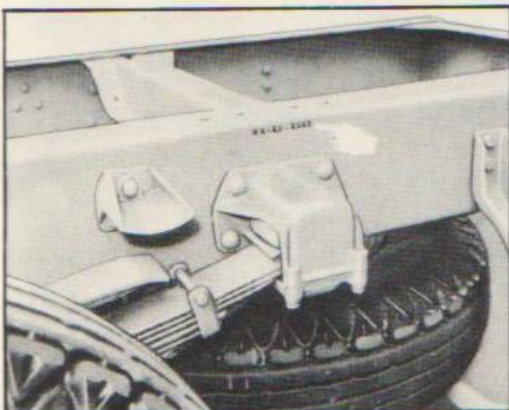


MODEL EHUT — 5 TON — 4 x 2 TRACTOR TRUCK — C. O. E. TYPE CAB

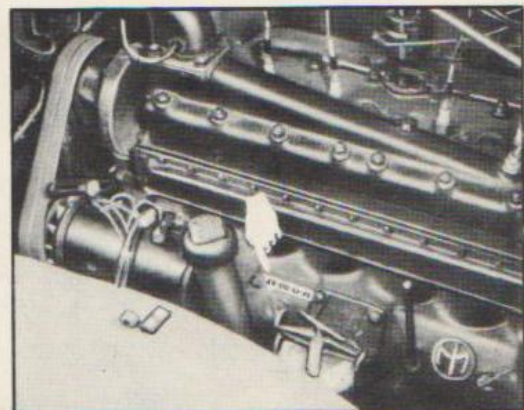
It is important to specify chassis serial number of Vehicle when servicing same. Engine serial number should also be given. This is especially important when ordering Parts. The illustration below will assist in locating the Serial Numbers.



CHASSIS NAME PLATE located on right hand side of Seat Base.



CHASSIS SERIAL NUMBER stamped on rear end of left frame side member.



ENGINE SERIAL NUMBER stamped on left side of cylinder to the rear of crankcase oil filler.

| MACK CHASSIS NUMBER | U. S. REGISTRATION NUMBER | MACK CHASSIS NUMBER | U. S. REGISTRATION NUMBER |
|---------------------|---------------------------|---------------------|---------------------------|
| EH1S2637 to 2831 | 525499 to 525693 | EH1D3869 to 3888 | 525744 to 525763 |
| EH1S2833 to 2855 | 526376 to 526398 | EH1D3889 to 3906 | 525764 to 525781 |
| EH1S2856 to 2864 | 525782 to 525790 | EH1D3907 to 3923 | 525811 to 525827 |
| EH1S2865 to 3039 | 525881 to 526055 | EH1D3924 to 3943 | 525791 to 525810 |
| | | ★ ★ ★ | ★ ★ ★ |
| EH1S3040 to 3072 | 525828 to 525860 | EHT1D2273 to 2302 | 526246 to 526275 |
| | | EHT1D2303 to 2392 | 526156 to 526245 |
| ★ ★ ★ | ★ ★ ★ | EHT1D2393 to 2412 | 526276 to 526295 |
| | | ★ ★ ★ | ★ ★ ★ |
| EHU1D1425 to 1444 | 525861 to 525880 | EHUT1D1224 to 1303 | 526296 to 526375 |
| EHU1D1445 to 1494 | 525694 to 525743 | EHUT1D1304 to 1403 | 526056 to 526155 |

CHASSIS SPECIFICATIONS

| CHASSIS MODEL | CHASSIS NUMBER | ENGINE MODEL | CLUTCH MODEL | TRANS. MODEL | STEER. GEAR MODEL | REAR AXLE MODEL | FRONT AXLE MODEL | TYPE OF BRAKES |
|---------------|--------------------|--------------|--------------|---------------|-------------------|-----------------|------------------|----------------|
| EH | EH1S2637 to 2831 | EN310 | CL13 | TR30 Direct | SG15 | RA36 | FA35 | Hydraulic |
| EH | EH1S2833 to 3072 | EN310 | CL13 | TR30 Direct | SG15 | RA36 | FA35 | Hydraulic |
| EH | EH1D3869 to 3888 | EN354 | CL33 | TRD 31 Direct | SG15 | RA44 | FA35 | Hydraulic |
| EH | EH1D3889 to 3943 | EN310 | CL13 | TR30 OD | SG15 | RA44 | FA35 | Hydraulic |
| EHU | EHU1D1425 to 1444 | EN310 | CL13 | TR30 OD | SG15 | RA44 | FA35 | Hydraulic |
| EHU | EHU1D1445 to 1494 | EN310 | CL13 | TR30 OD | SG15 | RA44 | FA35 | Hydraulic |
| EHT | EHT1D2273 to 2302 | EN354 | CL33 | TRD 31 OD | SG15 | RA44 | FA35 | Air |
| EHT | EHT1D2303 to 2412 | EN354 | CL33 | TR31 OD | SG15 | RA44 | FA35 | Air |
| EHUT | EHUT1D1224 to 1303 | EN354 | CL33 | TR31 Direct | SG15 | RA44 | FA35 | Air |
| EHUT | EHUT1D1304 to 1403 | EN354 | CL33 | TR31 OD | SG15 | RA44 | FA35 | Air |

FOREWORD

Parts are listed in the Functional Group arrangement recommended by the Quartermaster General's Office. The first two digits assigned to each Group refer to the Main Group. The last two digits cover the Sub-Group and include all the parts related to the Main Group. For example, the Engine Group is indicated as 01, the Clutch Group as 02, etc.; Sub-Groups such as Engine Assembly as 0100, Cylinder Block and Head as 0101, Clutch Assembly as 0200, Clutch Disc as 0201, etc. On Page No. 6 will be found an index covering all Code Numbers for both Main and Sub-Groups.

Exploded Photographs and Illustrations of the various assemblies, sub-assemblies and units are furnished. Each Photograph or Illustration is accompanied by a referenced Nomenclature designating the various parts shown. There is also listed the Government Group Number where the part number of the part will be found listed. The part number is the number to be used when ordering parts. Never order parts under the Nomenclature Reference Number.

The Numerical Price Index provided is coded to indicate parts that are used on Commercial Models and is indexed to the Group in which the part number is listed.

The Alphabetical Index will list the parts in alphabetical sequence under the descriptive noun best describing the part, and is also indexed to the Group in which the part is listed.

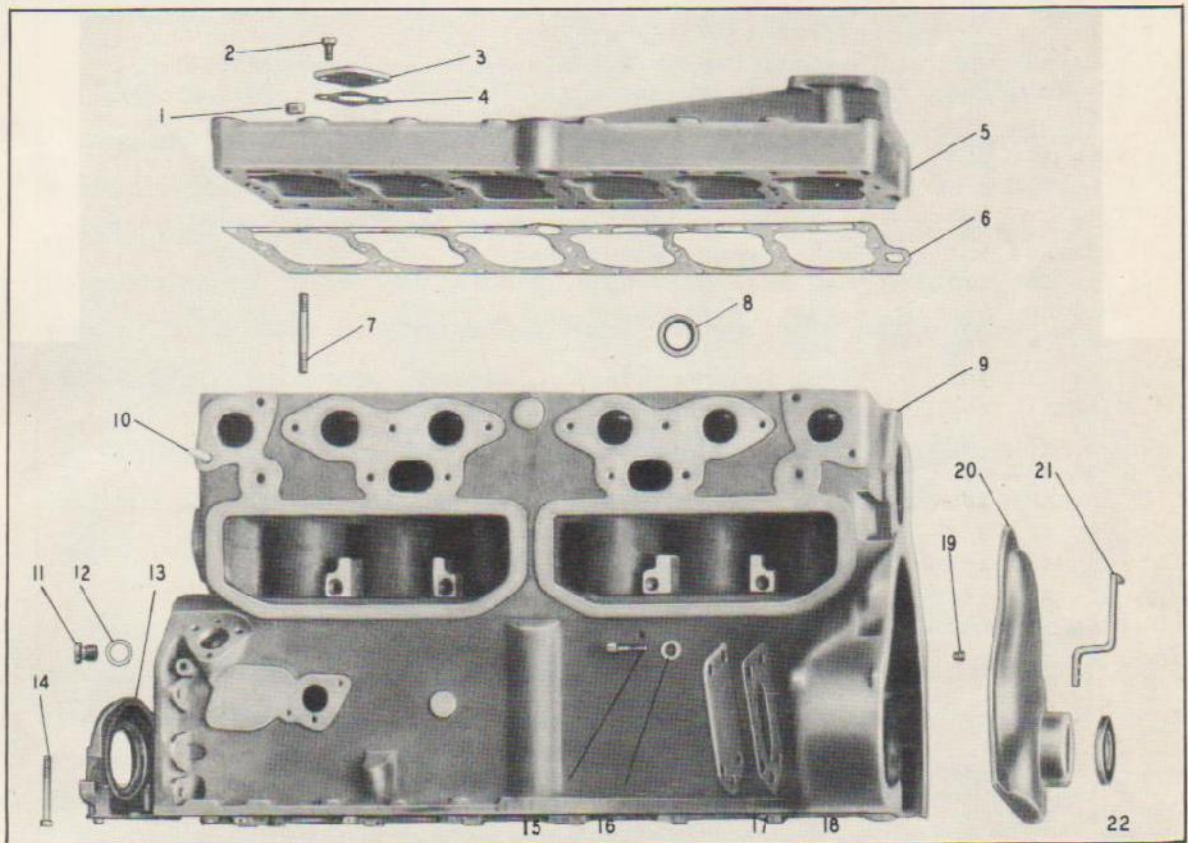
U. S. ARMY ORDNANCE DEPARTMENT

STANDARDIZED SET-UP FOR PARTS BOOKS AND FOR THE SETTING-UP OF PARTS DEPOTS

| | Page | | Page | | Page |
|--|------|--|------|---|------|
| 01 ENGINE GROUP | 7 | 09 PROPELLER SHAFT AND UNIVERSAL JOINT GROUP | 83 | 17 HOODS, FENDERS, RUNNING BOARDS, APRONS (Miscellaneous Sheet Metal) GROUP | 164 |
| 0100 Engine Assembly..... | 7 | 0901 Propeller Shaft Assy., Tubes and Flanges..... | 83 | 1701 Fenders..... | 164 |
| 0101 Cylinder Block and Head..... | 7 | 0902 Universal Joints..... | 87 | 1702 Splash Shields..... | 165 |
| 0102 Crankshaft, Bearings, Caps and Seals..... | 8 | 0903 Drive Shaft Center Bearing..... | 88 | 1703 Running Boards..... | 165 |
| 0103 Pistons, Rings and Piston Pins..... | 11 | 10 FRONT AXLE GROUP | 90 | 1704 Hoods..... | 166 |
| 0104 Connecting Rods and Bearings..... | 13 | 1000 Front Axle Assembly..... | 90 | | |
| 0105 Valves, Springs, Guides, Tappets, Lifts, Rocker Arm and Shaft..... | 13 | 1001 Housing..... | 90 | | |
| 0106 Camshaft, Timing, Bearings, etc..... | 14 | 1007 King Pins, Spindle, etc. (1 Beam Axle)..... | 90 | | |
| 0107 Oil Pump, Oil Pan, Gauge, Oil Filter and Oil Tank..... | 15 | 11 REAR AXLE GROUP | 91 | 18 BODY GROUP | 169 |
| 0108 Manifold..... | 17 | 1100 Rear Axle Assembly..... | 91 | 1800 Cab Assembly..... | 169 |
| 0109 Flywheel, Ring Gear, etc..... | 18 | 1101 Housing Assembly..... | 92 | 1801 Windshield Frame, Wiper and Parts..... | 171 |
| 0110 Engine Mounting..... | 18 | 1102 Axle Drive Shafts..... | 92 | 1802 Floor Mats and Seals, Floor Boards and Covers..... | 172 |
| 0112 Accessory Drive..... | 20 | 1103 Differential Case and Carrier Assembly and Bearings..... | 92 | 1803 Battery Mounts and Cab Mounting..... | 174 |
| 02 CLUTCH GROUP | 21 | 1104 Drive Gear and Pinion and Bearings..... | 97 | 1804 Seats..... | 177 |
| 0200 Clutch Assembly..... | 21 | 12 BRAKE GROUP | 98 | 1805 Handles, Locks, etc., Door Com- plete, Door and Window Fittings..... | 178 |
| 0201 Clutch Disc..... | 21 | 1201 Hand Brake and Parts..... | 98 | 1806 Tool Box..... | 180 |
| 0202 Cover, Pressure Plate and Springs..... | 21 | 1202 Shoes and Lining (Service Brake) Air and Hydraulic Brakes..... | 102 | 1807 Body Parts..... | 180 |
| 0203 Release Lever, Bearings, Forks, etc..... | 22 | 1203 Brake Shoe Support, Guide Springs and Adjusting Pins..... | 103 | 1809 Glass, Window and Windshield..... | 182 |
| 0204 Pedal and Springs..... | 22 | 1204 Pedal and Spring, Air and Hydraulic Brakes..... | 111 | 21 BUMPERS AND GUARDS GROUP | 182 |
| 0205 Pilot Bearing..... | 25 | 1205 Hydraulic Master Cylinder..... | 112 | 2101 Bumpers..... | 182 |
| 0207 Clutch Housing, etc..... | 25 | 1207 Hydraulic Wheel Cylinders..... | 113 | 2102 Bumper Bracket..... | 183 |
| 03 FUEL SYSTEM GROUP | 26 | 1208 Brake Dust Shield, Air and Hydraulic Brakes..... | 114 | 22 MISCELLANEOUS BODY & CHASSIS ACCESSORIES | 183 |
| 0301 Carburetor, Air Cleaner..... | 26 | 1209 Hydraulic Brake Lines, Pipes, Hoses and Clips..... | 115 | 2201 Rear View Mirror..... | 183 |
| 0302 Fuel Pump, Fuel Pump Tube, Hose, Fuel Filter, etc..... | 33 | 1210 Vacuum Booster Cylinder..... | 118 | 2202 Identification and Caution Plates..... | 183 |
| 0303 Accelerator, Throttle and Choke..... | 35 | 1211 Power Brake Lines and Fittings Air and Hydraulic Brakes..... | 120 | 2203 Speedometer and Parts..... | 184 |
| 0304 Fuel Tank and Lines..... | 37 | 1212 Brake Pull Rods, Cables and Cross Shafts..... | 127 | 23 GENERAL USE, STANDARDIZED PARTS GROUP | 185 |
| 0305 Governor..... | 42 | 1213 Air Compressor, Controls, Cyl- inder, Brake Chamber and Valves, Air Brakes..... | 127 | 2301 Brake Fluid, Fuels & Lubricants..... | 185 |
| 04 EXHAUST GROUP | 47 | 13 WHEELS, HUBS AND DRUMS GROUP (FRONT AND REAR) | 141 | 2304 Miscellaneous Bolts, Nuts, Screws, Washers and Rivets (Other than Special)..... | 185 |
| 0401 Muffler..... | 47 | 1301 Wheel Assembly, Bearings, Retainers, etc..... | 141 | 2305 Cotter Pins, Flat Keys, Woodruff Keys, Packings, Shear Pins, Clevis Pins (Other than Special)..... | 189 |
| 0402 Pipe and Tail Pipe..... | 48 | 1302 Hubs and Drums, Wheel Studs and Nuts..... | 143 | 2306 Tools and Service Equipment..... | 190 |
| 05 COOLING GROUP | 49 | 14 STEERING GROUP | 145 | 2308 Bulbs, Fuses and Reflectors, Seal Beam and Black-Out Lamps..... | 191 |
| 0501 Radiator Shell, Core, Filler Cap and Grille..... | 49 | 1401 Drag Link..... | 145 | 2309 Battery..... | 191 |
| 0502 Thermostat and Thermometer..... | 51 | 1402 Tie Rods..... | 145 | 2310 Tarpaulins, Bows, Corners, Covers and End Curtains..... | 191 |
| 0503 Water Pump, Fan, Belt..... | 52 | 1403 Gear Assembly..... | 146 | 2311 Grease Fittings..... | 191 |
| 0504 Radiator Mounting..... | 53 | 1404 Wheel Assembly..... | 148 | 2313 Cable and Wire (Insulated)..... | 192 |
| 0505 Engine Water Fittings and Hose..... | 54 | 1405 Brackets..... | 148 | 2314 Spark Plugs..... | 192 |
| 06 ELECTRICAL GROUP | 56 | 15 FRAME AND BRACKETS GROUP | 149 | 2315 Miscellaneous Parts, Accessories and Air Horns..... | 192 |
| 0601 Generator and Regulator..... | 56 | 1503 Spring Brackets, Hangers and Horns..... | 149 | 2317 Brake Lining..... | 193 |
| 0602 Starting Motor and Switches..... | 59 | 1504 Fender and Running Board Brackets..... | 150 | 2318 Pipe and Tube Fittings..... | 193 |
| 0603 Distributor and Condenser..... | 61 | 1505 Spare Wheel Carrier..... | 150 | 25 BEARINGS | 195 |
| 0604 Ignition Coil, Wiring and Ignition Switch..... | 64 | 1506 Frame..... | 151 | 2501 Ball Bearings..... | 195 |
| 0605 Instruments..... | 65 | 1507 Fifth Wheel..... | 156 | 2502 Roller Bearings..... | 195 |
| 0606 Light Switches, Cables and Wiring Harness..... | 66 | 16 SPRINGS AND SHOCK ABSORBER GROUP | 158 | | |
| 0607 Headlamps..... | 68 | 1601 Front and Rear Springs..... | 158 | | |
| 0608 All Lamps Except Headlamps..... | 69 | 1602 Shackles and Spring Mounting Parts..... | 163 | | |
| 0609 Horn..... | 70 | | | | |
| 0610 Starting Cables and Connections..... | 71 | | | | |
| 0612 Radio Suppression Equipment..... | 71 | | | | |
| 07 TRANSMISSION GROUP | 72 | | | | |
| 0700 Transmission Assembly..... | 72 | | | | |
| 0701 Case..... | 73 | | | | |
| 0703 Main Drive Pinion and Bearings..... | 75 | | | | |
| 0704 Main Shaft, Countershaft and Gears, Reverse Idler Gears..... | 75 | | | | |
| 0705 Speedometer Gears..... | 79 | | | | |
| 0706 Shift Forks, Levers..... | 80 | | | | |

| Group No. | Part No. | Description | No. Req'd. | |
|--|----------|---|------------|--------|
| | | | Col. 1 | Col. 2 |
| 01 ENGINE | | | | |
| COLUMN #1 - MODEL EN-310 ENGINE - 3 $\frac{5}{8}$ " Bore x 5" Stroke | | | | |
| COLUMN #2 - MODEL EN-354 ENGINE - 3 $\frac{7}{8}$ " Bore x 5" Stroke | | | | |
| 0100 ENGINE ASSEMBLY | | | | |
| 11 | GBA 1279 | Mack EN-310 Engine complete with Carburetor, Governor, Air Cleaner, Oil Filter, Fuel Pump, Fan, Fan Belt, Distributor, Spark Plugs, Spark Plug Wires, Generator, Generator Bracket, Generator Belt, Regulator and Starter | 1 | - |
| 11 | GBA 1282 | Mack EN-354 Engine complete with Carburetor, Governor, Air Cleaner, Oil Filter, Fuel Pump, Fan, Fan Belt, Distributor, Spark Plugs, Spark Plug Wires, Generator, Generator Bracket, Generator Belt, Regulator, Starter, Compressor and Compressor Drive | - | 1 |

0101 CYLINDER BLOCK AND HEAD



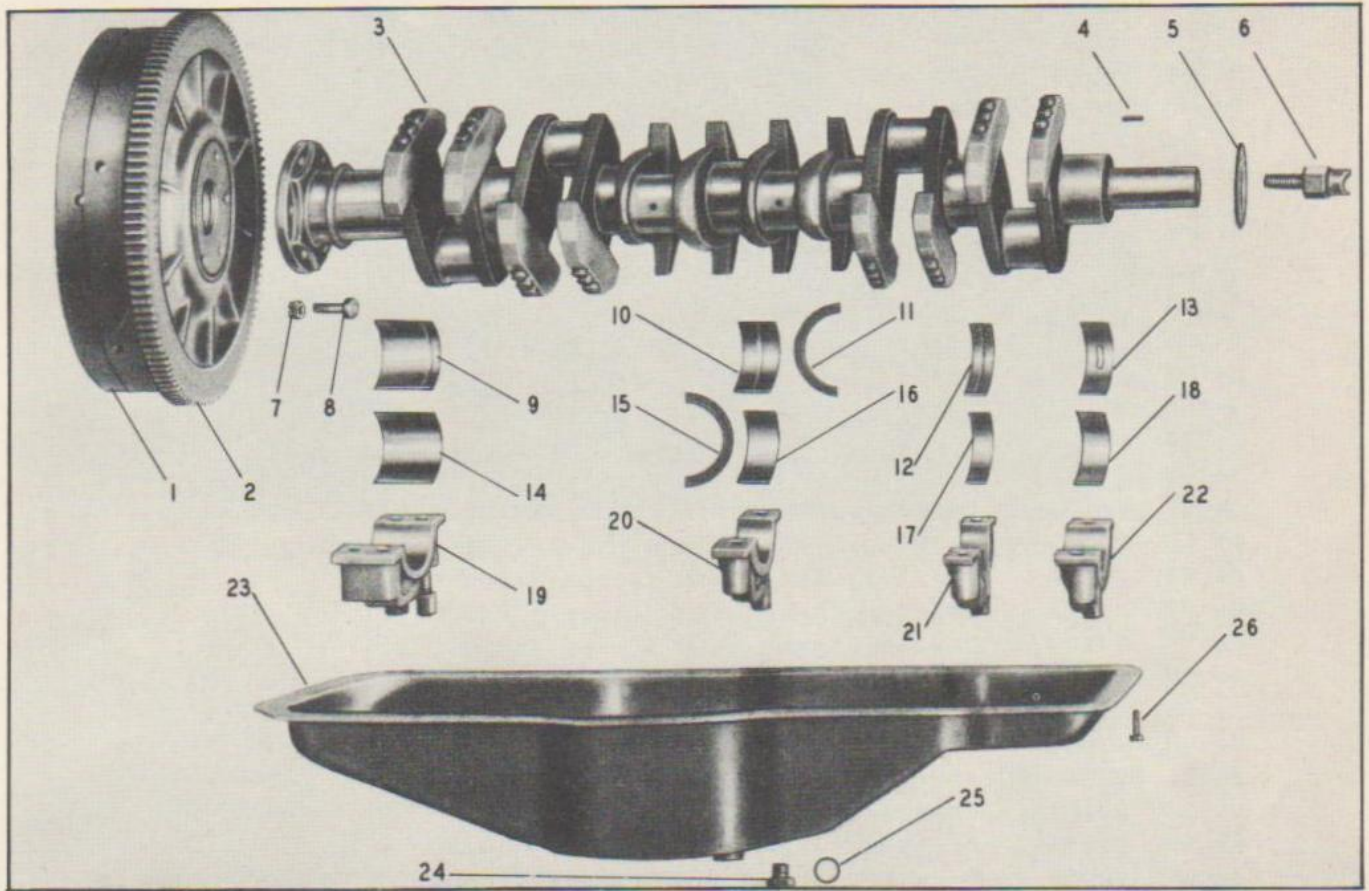
| Ref. No. | PART NAME | Govt. Group | Ref. No. | PART NAME | Govt. Group | Ref. No. | PART NAME | Govt. Group |
|----------|-------------------------------------|-------------|----------|---|-------------|----------|--------------------------------------|-------------|
| 1. | Nut—Cylinder Head Stud | 0101 | 10. | Stud—Exhaust Manifold and Cylinder | 0108 | 16. | Washer—Compressor Flange Cover Screw | 0101 |
| 2. | Screw—Tropic Air Flange Cover | 0101 | 11. | Plug—Main Oil Line (Rear) | 0101 | 17. | Cover—Compressor Flange | 0101 |
| 3. | Cover—Tropic Air Flange | 0101 | 12. | Washer—Main Oil Line Plug | 0101 | 18. | Gasket—Compressor Flange Cover | 0101 |
| 4. | Gasket—Tropic Air Flange Cover | 0101 | 13. | Housing Assembly—Oil Slinger (Upper & Lower) | 0102 | 19. | Plug—Main Oil Line | 0101 |
| 5. | Head Assembly—Cylinder | 0101 | 14. | Screw—Lower Crankcase & Lower Slinger Housing | 0107 | 20. | Cover—Crankcase Gear | 0101 |
| 6. | Gasket—Cylinder Head | 0101 | 15. | Screw—Compressor Flange Cover | 0101 | 21. | Indicator—Timing | 0106 |
| 7. | Stud—Cylinder Head | 0101 | | | | 22. | Retainer—Crankcase Gear Cover Oil | 0101 |
| 8. | Insert—Exhaust Valve Seat | 0101 | | | | | | |
| 9. | Cylinder & Upper Crankcase Assembly | 0101 | | | | | | |

0101
0102

| Group No. | Part No. | Description | No. Req'd. | |
|--|----------|---|------------|--------|
| | | | Col. 1 | Col. 2 |
| COLUMN #1 - MODEL EN-310 ENGINE - 3 ⁵ / ₈ " Bore x 5" Stroke | | | | |
| COLUMN #2 - MODEL EN-354 ENGINE - 3 ⁷ / ₈ " Bore x 5" Stroke | | | | |
| 0101 CYLINDER BLOCK AND HEAD (Cont'd) | | | | |
| 126 SB | 17A | Gasket Set (Complete set for Engine) | 1 | - |
| 126 SB | 36A | Gasket Set (Complete set for Engine) | - | 1 |
| 239 GBA | 152A | Cylinder & Upper Crankcase Assembly | - | 1 |
| 239 GBA | 153A | Cylinder & Upper Crankcase Assembly | 1 | - |
| 13 GC | 210 | Insert, Exhaust Valve Seat (Std.) | 6 | 6 |
| 13 GC | 211 | Insert, Exhaust Valve Seat (1/64" O.S.) | 6 | 6 |
| 13 GC | 212 | Insert, Exhaust Valve Seat (1/32" O.S.) | 6 | 6 |
| 13 GC | 213 | Insert, Exhaust Valve Seat (3/64" O.S.) | 6 | 6 |
| 63 AX | 94 | Plug, Camshaft Oil Line (1/8") | 4 | 4 |
| 63 AX | 155 | Plug, Camshaft Oil Line (1/8") | 2 | 2 |
| 262 GC | 13 | Plug, Main Oil Line (Rear) | 1 | 1 |
| 35 AX | 272 | Washer, Main Oil Line Plug (Rear) (57/64") | 1 | 1 |
| 63 AX | 122 | Plug, Main Oil Line (Front) (1/2") | 1 | 1 |
| 1 CF | 27C | Cover, Compressor Flange (Without Compressor) | 1 | 1 |
| 541 GB | 13 | Gasket, Compressor Flange Cover (Without Compressor) | 1 | 1 |
| 4 AX | 66 | Screw, Compressor Flange Cover (Without Compressor) (1/2"-13 x 1-1/4") | 3 | 3 |
| 35 AX | 23 | Washer, Compressor Flange Cover Screw (Without Compressor) (3-5/32") | 3 | 3 |
| 1 EH | 111 | Pipe & Elbow Complete, Crankcase Breather | 1 | 1 |
| 56 AX | 62 | Gasket, Crankcase Breather Pipe | 1 | 1 |
| 4 AX | 5 | Screw, Crankcase Breather Pipe Mounting | 2 | 2 |
| 36 AX | 22 | Lockwasher, Crankcase Breather Pipe Mounting Screw | 2 | 2 |
| 732 GBA | 161 | Head Assembly, Cylinder | - | 1 |
| 732 GBA | 170 | Head Assembly, Cylinder | 1 | - |
| 553 GB | 388 | Gasket, Cylinder Head | 1 | - |
| 553 GB | 382 | Gasket, Cylinder Head | - | 1 |
| 18 AX | 451 | Stud, Cylinder Head | 23 | 23 |
| 20 AX | 23 | Nut, Cylinder Head Stud (1/2"-20 x 7/16") | 23 | 23 |
| 1 AB | 1959 | Cover, Tropic Air Flange | 1 | 1 |
| 56 AX | 32 | Gasket, Tropic Air Flange Cover (1-1/2") | 1 | 1 |
| 4 AX | 17 | Screw, Tropic Air Flange Cover (3/8"-16 x 3/4") | 2 | 2 |
| 36 AX | 3 | Washer, Tropic Air Flange Cover Screw (3/8") | 2 | 2 |
| 333 GBA | 415 | Cover, Crankcase Gear | 1 | 1 |
| 1 BG | 1660 | Gasket, Crankcase Gear Cover | 1 | 1 |
| 88 AX | 169 | Retainer Complete, Crankcase Gear Cover Oil (2-13/16") | 1 | 1 |
| 37 AX | 7 | Washer, Crankcase Gear Cover & Cylinder Screw (25/64") | 15 | 15 |
| 4 AX | 58 | Screw, Crankcase Gear Cover & Cylinder (3/8"-16x7/8") | 15 | 15 |
| 0102 CRANKSHAFT, BEARINGS, CAPS AND SEALS | | | | |
| 456 GCA | 38 | Crankshaft Assembly | 1 | 1 |
| - | - | Gear, Crankshaft (See Timing Gear Service Assembly Group 0106) | 1 | 1 |
| 42 AX | 25 | Key, Crankshaft Gear (3/8" x 1/4" x 1") | 1 | 1 |
| 1 BG | 1233A | Jaw, Crankshaft Starting | 1 | 1 |
| 1 BG | 1283 | Washer, Crankshaft Starting Jaw | 1 | 1 |
| 1 CF | 127 | Lockwasher, Crankshaft Starting Jaw | 1 | 1 |
| 517 GC | 13 | Slinger (Front), Crankshaft Oil | 1 | 1 |
| 759 GBA | 11B | Housing Assembly, (Upper & Lower) Oil Slinger | 1 | 1 |
| 167 GC | 14 | Packing, Oil Slinger Housing | 2 | 2 |
| 16 AX | 127 | Stud (Lower), Oil Slinger Housing (3/8"-24 x 1-1/8" x 3/8"-16) | 1 | 1 |

| Group No. | Part No. | Description | No. Req'd. Col. 1 | Col. 2 |
|-----------|----------|-------------|-------------------|--------|
|-----------|----------|-------------|-------------------|--------|

COLUMN #1 - MODEL EN-310 ENGINE - 3⁵/₈" Bore x 5" Stroke
 COLUMN #2 - MODEL EN-354 ENGINE - 3⁷/₈" Bore x 5" Stroke
 0102 CRANKSHAFT, BEARINGS, CAPS AND SEALS (Cont'd)



| Ref. No. | PART NAME | Govt. Group | Ref. No. | PART NAME | Govt. Group | Ref. No. | PART NAME | Govt. Group |
|----------|--------------------------------|-------------|----------|---|-------------|----------|-----------------------------------|-------------|
| 1. | Flywheel Assembly | 0109 | 11. | Washer—Center Main Bearing Thrust (Upper) | 0102 | 18. | Bearing—Front Main (Lower) | 0102 |
| 2. | Gear—Flywheel Ring | 0109 | 12. | Bearing—Intermediate Main (Upper) | 0102 | 19. | Cap—Rear Main Bearing | 0102 |
| 3. | Crankshaft Assembly | 0102 | 13. | Bearing—Front Main (Upper) | 0102 | 20. | Cap Assembly—Center Main Bearing | 0102 |
| 4. | Key—Crankshaft Gear | 0102 | 14. | Bearing—Rear Main (Lower) | 0102 | 21. | Cap—Intermediate Main Bearing | 0102 |
| 5. | Washer—Crankshaft Starting Jaw | 0102 | 15. | Washer—Center Main Bearing Thrust (Lower) | 0102 | 22. | Cap—Front Main Bearing | 0102 |
| 6. | Jaw—Crankshaft Starting | 0102 | 16. | Bearing—Center Main (Lower) | 0102 | 23. | Crankcase—Lower | 0107 |
| 7. | Nut—Flywheel Bolt | 0109 | 17. | Bearing—Intermediate Main (Lower) | 0102 | 24. | Plug—Lower Crankcase Drain | 0107 |
| 8. | Bolt—Flywheel | 0109 | 18. | Bearing—Front Main (Lower) | 0102 | 25. | Gasket—Lower Crankcase Drain Plug | 0107 |
| 9. | Bearing—Rear Main (Upper) | 0102 | 19. | Cap—Rear Main Bearing | 0102 | 26. | Screw—Lower Crankcase & Cylinder | 0107 |
| 10. | Bearing—Center Main (Upper) | 0102 | 20. | Cap Assembly—Center Main Bearing | 0102 | | | |

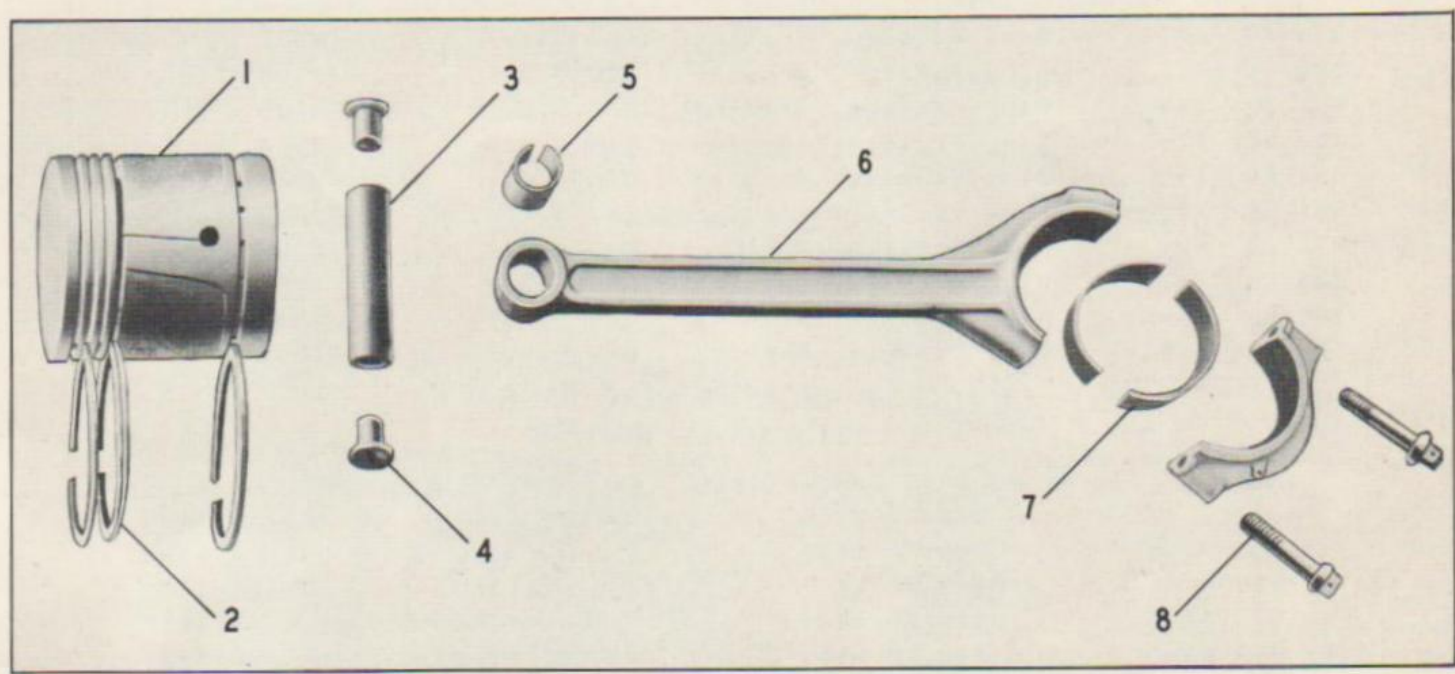
| | | | | |
|-------|-------|---|---|---|
| 31 AX | 123 | Dowel, Oil Slinger Housing (3/16" x 11/16") | 1 | 1 |
| 4 AX | 58 | Screw, Oil Slinger Housing (Upper) & Crankcase | 2 | 2 |
| 36 AX | 2 | Lockwasher, Oil Slinger Housing (Upper) & Crankcase Screw | 2 | 2 |
| 4 AX | 137 | Screw, Oil Slinger Housing (Lower) & Crankcase | 2 | 2 |
| 36 AX | 3 | Lockwasher, Oil Slinger Housing (Lower) & Crankcase Screw | 2 | 2 |
| 37 AX | 2 | Washer, Oil Slinger Housing (Lower) & Crankcase Screw | 2 | 2 |
| 64 GB | 2377A | Bearing, Front Main (Lower) (Standard Size) | 1 | 1 |
| 64 GB | 2378A | Bearing, Front Main (Lower) (.001 U.S.) | 1 | 1 |
| 64 GB | 2379A | Bearing, Front Main (Lower) (.002 U.S.) | 1 | 1 |
| 64 GB | 2380A | Bearing, Front Main (Lower) (.010 U.S.) | 1 | 1 |
| 64 GB | 2381A | Bearing, Front Main (Lower) (.020 U.S.) | 1 | 1 |
| 64 GB | 2382A | Bearing, Front Main (Lower) (.030 U.S.) | 1 | 1 |

0102

| Group No. | Part No. | Description | No. Req'd. | |
|--|----------|--|------------|--------|
| | | | Col. 1 | Col. 2 |
| COLUMN #1 - MODEL EN-310 ENGINE - 3 ⁵ / ₈ " Bore x 5" Stroke | | | | |
| COLUMN #2 - MODEL EN-354 ENGINE - 3 ⁷ / ₈ " Bore x 5" Stroke | | | | |
| 0102 CRANKSHAFT, BEARINGS, CAPS AND SEALS (Cont'd) | | | | |
| 64 GB | 2384A | Bearing, Front Main (Lower) (.050 U.S.) | 1 | 1 |
| 64 GB | 2359A | Bearing, Intermediate Main (Lower) (Std. Size) | 4 | 4 |
| 64 GB | 2360A | Bearing, Intermediate Main (Lower) (.001 U.S.) | 4 | 4 |
| 64 GB | 2361A | Bearing, Intermediate Main (Lower) (.002 U.S.) | 4 | 4 |
| 64 GB | 2362A | Bearing, Intermediate Main (Lower) (.010 U.S.) | 4 | 4 |
| 64 GB | 2363A | Bearing, Intermediate Main (Lower) (.020 U.S.) | 4 | 4 |
| 64 GB | 2364A | Bearing, Intermediate Main (Lower) (.030 U.S.) | 4 | 4 |
| 64 GB | 2366A | Bearing, Intermediate Main (Lower) (.050 U.S.) | 4 | 4 |
| 64 GB | 2395A | Bearing, Center Main (Lower) (Std. Size) | 1 | 1 |
| 64 GB | 2396A | Bearing, Center Main (Lower) (.001 U.S.) | 1 | 1 |
| 64 GB | 2397A | Bearing, Center Main (Lower) (.002 U.S.) | 1 | 1 |
| 64 GB | 2398A | Bearing, Center Main (Lower) (.010 U.S.) | 1 | 1 |
| 64 GB | 2399A | Bearing, Center Main (Lower) (.020 U.S.) | 1 | 1 |
| 64 GB | 2400A | Bearing, Center Main (Lower) (.030 U.S.) | 1 | 1 |
| 64 GB | 2402A | Bearing, Center Main (Lower) (.050 U.S.) | 1 | 1 |
| 64 GB | 2413A | Bearing, Rear Main (Lower) (Std. Size) | 1 | 1 |
| 64 GB | 2414A | Bearing, Rear Main (Lower) (.001 U.S.) | 1 | 1 |
| 64 GB | 2415A | Bearing, Rear Main (Lower) (.002 U.S.) | 1 | 1 |
| 64 GB | 2416A | Bearing, Rear Main (Lower) (.010 U.S.) | 1 | 1 |
| 64 GB | 2417A | Bearing, Rear Main (Lower) (.020 U.S.) | 1 | 1 |
| 64 GB | 2418A | Bearing, Rear Main (Lower) (.030 U.S.) | 1 | 1 |
| 64 GB | 2420A | Bearing, Rear Main (Lower) (.050 U.S.) | 1 | 1 |
| 64 GB | 2368A | Bearing, Front Main (Upper) (Std. Size) | 1 | 1 |
| 64 GB | 2369A | Bearing, Front Main (Upper) (.001 U.S.) | 1 | 1 |
| 64 GB | 2370A | Bearing, Front Main (Upper) (.002 U.S.) | 1 | 1 |
| 64 GB | 2371A | Bearing, Front Main (Upper) (.010 U.S.) | 1 | 1 |
| 64 GB | 2372A | Bearing, Front Main (Upper) (.020 U.S.) | 1 | 1 |
| 64 GB | 2373A | Bearing, Front Main (Upper) (.030 U.S.) | 1 | 1 |
| 64 GB | 2375A | Bearing, Front Main (Upper) (.050 U.S.) | 1 | 1 |
| 64 GB | 2350A | Bearing, Intermediate Main (Upper) (Std. Size) | 4 | 4 |
| 64 GB | 2351A | Bearing, Intermediate Main (Upper) (.001 U.S.) | 4 | 4 |
| 64 GB | 2352A | Bearing, Intermediate Main (Upper) (.002 U.S.) | 4 | 4 |
| 64 GB | 2353A | Bearing, Intermediate Main (Upper) (.010 U.S.) | 4 | 4 |
| 64 GB | 2354A | Bearing, Intermediate Main (Upper) (.020 U.S.) | 4 | 4 |
| 64 GB | 2355A | Bearing, Intermediate Main (Upper) (.030 U.S.) | 4 | 4 |
| 64 GB | 2357A | Bearing, Intermediate Main (Upper) (.050 U.S.) | 4 | 4 |
| 64 GB | 2386A | Bearing, Center Main (Upper) (Std. Size) | 1 | 1 |
| 64 GB | 2387A | Bearing, Center Main (Upper) (.001 U.S.) | 1 | 1 |
| 64 GB | 2388A | Bearing, Center Main (Upper) (.002 U.S.) | 1 | 1 |
| 64 GB | 2389A | Bearing, Center Main (Upper) (.010 U.S.) | 1 | 1 |
| 64 GB | 2390A | Bearing, Center Main (Upper) (.020 U.S.) | 1 | 1 |
| 64 GB | 2391A | Bearing, Center Main (Upper) (.030 U.S.) | 1 | 1 |
| 64 GB | 2393A | Bearing, Center Main (Upper) (.050 U.S.) | 1 | 1 |
| 64 GB | 2404A | Bearing, Rear Main (Upper) (Std. Size) | 1 | 1 |
| 64 GB | 2405A | Bearing, Rear Main (Upper) (.001 U.S.) | 1 | 1 |
| 64 GB | 2406A | Bearing, Rear Main (Upper) (.002 U.S.) | 1 | 1 |
| 64 GB | 2407A | Bearing, Rear Main (Upper) (.010 U.S.) | 1 | 1 |
| 64 GB | 2408A | Bearing, Rear Main (Upper) (.020 U.S.) | 1 | 1 |
| 64 GB | 2409A | Bearing, Rear Main (Upper) (.030 U.S.) | 1 | 1 |
| 64 GB | 2411A | Bearing, Rear Main (Upper) (.050 U.S.) | 1 | 1 |
| 223 GB | 153 | Cap, Front Main Bearing | 1 | 1 |
| 223 GB | 154 | Cap, Intermediate Main Bearing | 4 | 4 |

| Group No. | Part No. | Description | No. Req'd. | |
|--|----------|--|------------|--------|
| | | | Col. 1 | Col. 2 |
| COLUMN #1 - MODEL EN-310 ENGINE - 3 ⁵ / ₈ " Bore x 5" Stroke | | | | |
| COLUMN #2 - MODEL EN-354 ENGINE - 3 ⁷ / ₈ " Bore x 5" Stroke | | | | |
| 0102 CRANKSHAFT, BEARINGS, CAPS AND SEALS (Cont'd) | | | | |
| 223 | GBA 155 | Cap Assembly, Center Main Bearing | 1 | 1 |
| 223 | GB 156 | Cap, Rear Main Bearing | 1 | 1 |
| 409 | GC 111A | Screw, Main Bearing Cap | 16 | 16 |
| 1 | AB 1353 | Wire, Main Bearing Cap Screw Lock | 7 | 7 |
| 714 | GG 117 | Washer, Center Main Bearing Thrust (Upper) (Thin) | As | Req. |
| 714 | GC 111 | Washer, Center Main Bearing Thrust (Upper) (Medium) | As | Req. |
| 714 | GC 113 | Washer, Center Main Bearing Thrust (Upper) (Thick) | As | Req. |
| 714 | GC 118 | Washer, Center Main Bearing Thrust (Lower) (Thin) | As | Req. |
| 714 | GC 112 | Washer, Center Main Bearing Thrust (Lower) (Medium) | As | Req. |
| 714 | GC 114 | Washer, Center Main Bearing Thrust (Lower) (Thick) | As | Req. |
| 31 | AX 255 | Pin, Center Main Bearing Thrust Washer (1/4" x 37/64") | 2 | 2 |

0103 PISTONS, RINGS & PISTON PINS



| Ref. No. | PART NAME | Govt. Group | Ref. No. | PART NAME | Govt. Group | Ref. No. | PART NAME | Govt. Group |
|----------|--------------|-------------|----------|-------------------------|-------------|----------|------------------------|-------------|
| 1. | Piston | 0103 | 4. | Plug—Wrist Pin | 0103 | 7. | Bearing—Connecting Rod | 0104 |
| 2. | Rings—Piston | 0103 | 5. | Bushing—Connecting Rod | 0104 | 8. | Screw—Connecting Rod | 0104 |
| 3. | Pin—Wrist | 0103 | 6. | Rod Assembly—Connecting | 0104 | | | |

| | | | | |
|-----|----------|---|---|---|
| 240 | GC 4206 | Piston (Std.) | 6 | - |
| 240 | GC 4209 | Piston (.020 O.S.) | 6 | - |
| 240 | GC 4210 | Piston (.030 O.S.) | 6 | - |
| 240 | GC 4211 | Piston (.040 O.S.) | 6 | - |
| 240 | GC 4213 | Piston (.060 O.S.) | 6 | - |
| 240 | GC 4162A | Piston (Std.) | - | 6 |
| 240 | GC 4165A | Piston (.020 O.S.) | - | 6 |
| 240 | GC 4166A | Piston (.030 O.S.) | - | 6 |
| 240 | GC 4167A | Piston (.040 O.S.) | - | 6 |
| 240 | GC 4169A | Piston (.060 O.S.) | - | 6 |
| 240 | GC 1266 | Piston & Wrist Pin Service Assembly (Std.) | 6 | - |
| 240 | GC 1267 | Piston & Wrist Pin Service Assembly (.020 O.S.) | 6 | - |
| 240 | GC 1268 | Piston & Wrist Pin Service Assembly (.030 O.S.) | 6 | - |

| Group No. | Part No. | Description | No. Req'd. | |
|--|----------|---|------------|--------|
| | | | Col. 1 | Col. 2 |
| COLUMN #1 - MODEL EN-310 ENGINE - 3 $\frac{5}{8}$ " Bore x 5" Stroke | | | | |
| COLUMN #2 - MODEL EN-354 ENGINE - 3 $\frac{7}{8}$ " Bore x 5" Stroke | | | | |
| 0103 PISTONS, RINGS & PISTON PINS (Cont'd) | | | | |
| 240 GC | 1269 | Piston & Wrist Pin Service Assembly (.040 O.S.) | 6 | - |
| 240 GC | 1270 | Piston & Wrist Pin Service Assembly (.060 O.S.) | 6 | - |
| 240 GC | 1261 | Piston & Wrist Pin Service Assembly (Std.) | - | 6 |
| 240 GC | 1262 | Piston & Wrist Pin Service Assembly (.020 O.S.) | - | 6 |
| 240 GC | 1263 | Piston & Wrist Pin Service Assembly (.030 O.S.) | - | 6 |
| 240 GC | 1264 | Piston & Wrist Pin Service Assembly (.040 O.S.) | - | 6 |
| 240 GC | 1265 | Piston & Wrist Pin Service Assembly (.060 O.S.) | - | 6 |

REGULAR RING PACKAGE

The packages listed below contain a full set of Rings for use when new or rebored cylinder block, new pistons, either standard or oversize, are installed.

| Part No. | Description | American Hammered No. | No. Req'd. | |
|-------------|-----------------------------------|-----------------------|------------|--------|
| | | | Col. 1 | Col. 2 |
| 353 GC 19 | Ring Package, Regular (Std. Size) | J2505 | - | 1 |
| 353 GC 112 | Ring Package, Regular (.020 O.S.) | J2505 | - | 1 |
| 353 GC 113 | Ring Package, Regular (.030 O.S.) | J2505 | - | 1 |
| 353 GC 114 | Ring Package, Regular (.040 O.S.) | J2505 | - | 1 |
| 353 GC 116 | Ring Package, Regular (.060 O.S.) | J2505 | - | 1 |
| 353 GC 198 | Ring Package, Regular (Std. Size) | J2502 | 1 | - |
| 353 GC 199 | Ring Package, Regular (.020 O.S.) | J2502 | 1 | - |
| 353 GC 1100 | Ring Package, Regular (.030 O.S.) | J2502 | 1 | - |
| 353 GC 1101 | Ring Package, Regular (.040 O.S.) | J2502 | 1 | - |
| 353 GC 1102 | Ring Package, Regular (.060 O.S.) | J2502 | 1 | - |

UNITS OF REGULAR RING PACKAGES FOR EN-310 ENGINE

| Size | #1, #2 & #3 Groove (18) | #4 Groove (6) | #5 Groove (6) |
|-----------|-------------------------|---------------|---------------|
| Std. | 349 GC 1156 | 350 GC 1176 | 349 GC 1490 |
| .020 O.S. | 349 GC 1159 | 350 GC 1179 | 349 GC 1493 |
| .030 O.S. | 349 GC 1160 | 350 GC 1180 | 349 GC 1494 |
| .040 O.S. | 349 GC 1161 | 350 GC 1181 | 349 GC 1495 |
| .060 O.S. | 349 GC 1163 | 350 GC 1183 | 349 GC 1497 |

FOR EN-354 ENGINE

| Size | #1, #2 & #3 Groove (18) | #4 Groove (6) | #5 Groove (6) |
|-----------|-------------------------|---------------|---------------|
| Std. | 349 GC 1124 | 350 GC 1294 | 349 GC 1685 |
| .020 O.S. | 349 GC 1127 | 350 GC 1297 | 349 GC 1688 |
| .030 O.S. | 349 GC 1128 | 350 GC 1298 | 349 GC 1689 |
| .040 O.S. | 349 GC 1129 | 350 GC 1299 | 349 GC 1690 |
| .060 O.S. | 349 GC 1131 | 350 GC 1301 | 349 GC 1692 |

FLEXIBLE RING PACKAGE

These are available for use with Standard and Oversize Pistons. They have been designed to be used between cylinder rebores, to prevent oil consumption due to cylinder wear which is not sufficient to warrant reboring to the next oversize. They are recommended whenever complete ring replacement only is made.

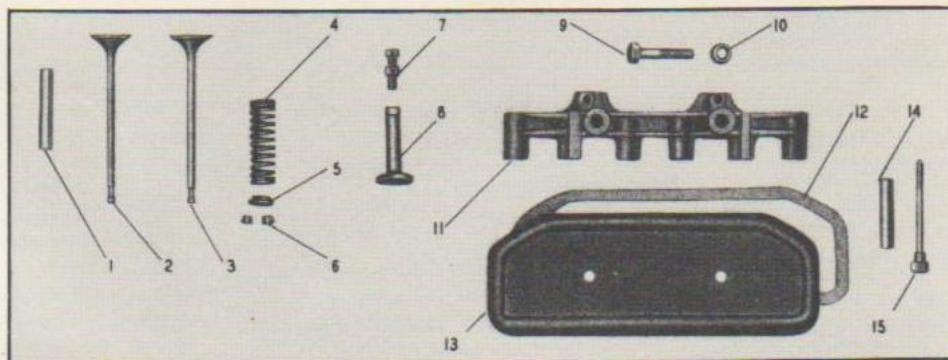
Each package, factory sealed, includes all rings and expanders required for one engine. The unit parts are not to be used separately.

| Group No. | Part No. | Description | American Hammered No. | No. Req'd. | |
|--|-------------|--------------------------------------|-----------------------|------------|--------|
| | | | | Col. 1 | Col. 2 |
| 0103 PISTONS, RINGS & PISTON PINS (Cont'd) | | | | | |
| COLUMN #1 - MODEL EN-310 ENGINE - 3 ⁵ / ₈ " Bore x 5" Stroke | | | | | |
| COLUMN #2 - MODEL EN-354 ENGINE - 3 ⁷ / ₈ " Bore x 5" Stroke | | | | | |
| FLEXIBLE RING PACKAGE (Cont'd) | | | | | |
| | 357 GC 1116 | Ring Package, Flexible (Std. Size) | J1505 | - | 1 |
| | 357 GC 1119 | Ring Package, Flexible (.020 O.S.) | J1505 | - | 1 |
| | 357 GC 1120 | Ring Package, Flexible (.030 O.S.) | J1505 | - | 1 |
| | 357 GC 1121 | Ring Package, Flexible (.040 O.S.) | J1505 | - | 1 |
| | 357 GC 1123 | Ring Package, Flexible (.060 O.S.) | J1505 | - | 1 |
| | 357 GC 1177 | Ring Package, Flexible (Std. Size) | J1502 | 1 | - |
| | 357 GC 1179 | Ring Package, Flexible (.020 O.S.) | J1502 | 1 | - |
| | 357 GC 1180 | Ring Package, Flexible (.030 O.S.) | J1502 | 1 | - |
| | 357 GC 1181 | Ring Package, Flexible (.040 O.S.) | J1502 | 1 | - |
| | 357 GC 1183 | Ring Package, Flexible (.060 O.S.) | J1502 | 1 | - |
| | | * * * * * | | | |
| | 1 BG 140 | Pin, Wrist (Std.) | | 6 | - |
| | 1 BG 1174 | Pin, Wrist (.003 O.S.) | | 6 | - |
| | 1 BG 1175 | Pin, Wrist (.005 O.S.) | | 6 | - |
| | 1 CU 11 | Pin, Wrist (Std.) | | - | 6 |
| | 1 CU 12 | Pin, Wrist (.003 O.S.) | | - | 6 |
| | 1 CU 13 | Pin, Wrist (.005 O.S.) | | - | 6 |
| | 1 BG 141 | Plug, Wrist Pin | | 12 | 12 |
| | 1 BG 1410 | Spacer, Wrist Pin Plug (1/64" Thick) | | As | Req. |
| | 1 BG 1411 | Spacer, Wrist Pin Plug (1/32" Thick) | | As | Req. |

0104 CONNECTING RODS AND BEARINGS

| | | | |
|--------------|-------------------------------------|----|----|
| 367 GCA 218A | Rod Assembly, Connecting | 6 | 6 |
| 62 GB 227A | Bearing, Connecting Rod (Std.) | 12 | 12 |
| 62 GB 228A | Bearing, Connecting Rod (.001 U.S.) | 12 | 12 |
| 62 GB 229A | Bearing, Connecting Rod (.002 U.S.) | 12 | 12 |
| 62 GB 230A | Bearing, Connecting Rod (.010 U.S.) | 12 | 12 |
| 62 GB 231A | Bearing, Connecting Rod (.020 U.S.) | 12 | 12 |
| 62 GB 232A | Bearing, Connecting Rod (.030 U.S.) | 12 | 12 |
| 62 GB 234A | Bearing, Connecting Rod (.050 U.S.) | 12 | 12 |
| 1 BG 13 | Bushing, Connecting Rod | 6 | 6 |
| 396 GC 16B | Screw, Connecting Rod | 12 | 12 |
| 6 AL 176 | Wire, Connecting Rod Screw Lock | 12 | 12 |

0105 VALVES, SPRINGS, GUIDES, TAPPETS, LIFTS, ROCKER ARM AND SHAFT

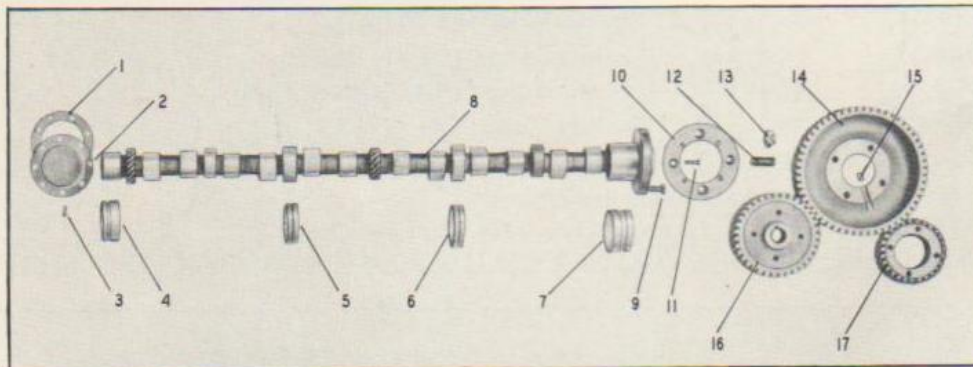


| Ref. No. | PART NAME | Govt. Group | Ref. No. | PART NAME | Govt. Group | Ref. No. | PART NAME | Govt. Group |
|----------|-----------------------------|-------------|----------|-----------------------------------|-------------|----------|---------------------------------|-------------|
| 1. | Guide—Inlet & Exhaust Valve | 0105 | 7. | Screw & Nut Assembly—Valve Lifter | 0105 | 12. | Gasket—Valve Spring Cover | 0105 |
| 2. | Valve—Exhaust | 0105 | 8. | Lifter—Valve | 0105 | 13. | Cover—Valve Spring (Rear) | 0105 |
| 3. | Valve—Inlet | 0105 | 9. | Screw—Valve Lifter Bracket | 0105 | 14. | Spacer—Valve Spring Cover Screw | 0105 |
| 4. | Spring—Valve | 0105 | 10. | Dowel—Valve Lifter Bracket | 0105 | 15. | Screw—Valve Spring Cover | 0105 |
| 5. | Washer—Valve Spring | 0105 | 11. | Bracket—Valve Lifter | 0105 | | | |
| 6. | Key—Valve Spring Washer | 0105 | | | | | | |

0105
0106

| Group No. | Part No. | Description | No. Req'd. | |
|--|-------------|--|------------|--------|
| | | | Col. 1 | Col. 2 |
| COLUMN #1 - MODEL EN-310 ENGINE - 3 ⁵ / ₈ " Bore x 5" Stroke | | | | |
| COLUMN #2 - MODEL EN-354 ENGINE - 3 ⁷ / ₈ " Bore x 5" Stroke | | | | |
| 0105 VALVES, SPRINGS, GUIDES, TAPPETS, LIFTS, ROCKER ARM AND SHAFT (Cont'd) | | | | |
| | 1 BG 2140 | Valve, Exhaust | 6 | 6 |
| | 1 BG 2141 | Valve, Inlet | 6 | 6 |
| | 1 BG 133 | Spring, Valve | 12 | 12 |
| | 1 BG 1371A | Key, Valve Spring Washer | 12 | 12 |
| | 1 BG 1370 | Washer, Valve Spring | 12 | 12 |
| 714 GB | 146 | Guide, Inlet & Exhaust Valve | 12 | 12 |
| | 1 BG 15B | Lifter, Valve | 12 | 12 |
| | 1 CFA 1213 | Screw & Nut Assembly, Valve Lifter | 12 | 12 |
| | 1 BG 315A | Bracket, Valve Lifter | 2 | 2 |
| | 1 BG 146 | Dowel, Valve Lifter Bracket | 4 | 4 |
| | 4 AX 28 | Screw, Valve Lifter Bracket (1/2"-13x2-1/4") | 4 | 4 |
| | 36 AX 5 | Washer, Valve Lifter Bracket Screw (0.515) | 4 | 4 |
| | 1 BGA 1171C | Cover & Tappet Plate Assembly (Front) Valve Spring | 1 | 1 |
| | 1 BG 319A | Cover, (Rear) Valve Spring | 1 | 1 |
| | 1 BG 220 | Gasket, Valve Spring Cover | 2 | 2 |
| | 1 BG 153 | Screw, Valve Spring Cover | 4 | 4 |
| | 1 BG 1399 | Spacer, Valve Spring Cover Screw | 4 | 4 |
| 39 AX | 2 | Washer, Valve Spring Cover Screw (25/64") | 4 | 4 |
| | 1 CF 1292 | Plate, Valve Tappet Clearance Instruction | 1 | 1 |
| 28 AX | 23 | Rivet, Valve Tappet Clearance Instruction Plate (3/32" x 1/4") | 4 | 4 |

0106 CAMSHAFT, TIMING, BEARINGS, ETC.

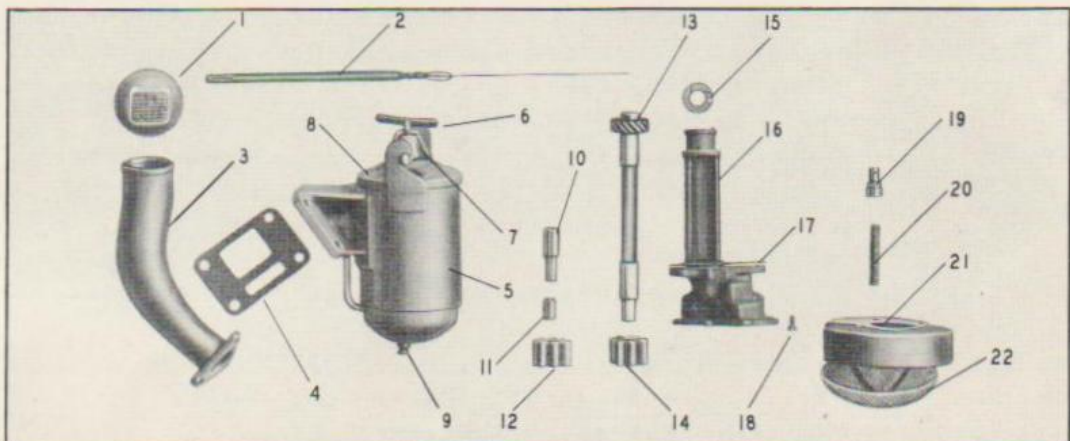


| Ref. No. | PART NAME | Govt. Group | Ref. No. | PART NAME | Govt. Group | Ref. No. | PART NAME | Govt. Group |
|----------|------------------------------------|-------------|----------|------------------------------|-------------|----------|---------------------------|-------------|
| 1. | Gasket—Camshaft Rear Bearing Cover | 0106 | 6. | Bearing—Camshaft (#2) | 0106 | 12. | Screw—Camshaft Thrust | 0106 |
| 2. | Cover—Camshaft Rear Bearing | 0106 | 7. | Bearing—Camshaft (#1) | 0106 | 13. | Nut—Camshaft Thrust Screw | 0106 |
| 3. | Screw—Camshaft Rear Bearing Cover | 0106 | 8. | Camshaft | 0106 | 14. | Gear—Camshaft | 0106 |
| 4. | Bearing—Camshaft (#4) | 0106 | 9. | Screw—Camshaft Gear | 0106 | 15. | Key—Camshaft Gear | 0106 |
| 5. | Bearing—Camshaft (#3) | 0106 | 10. | Washer—Camshaft Thrust | 0106 | 16. | Gear—Compressor Drive | 0112 |
| | | | 11. | Screw—Camshaft Thrust Washer | 0106 | 17. | Gear—Crankshaft | 0102 |

| | | | | |
|-------|-------|---|---|---|
| 1 BG | 1400A | Camshaft | 1 | - |
| 1 BG | 4125A | Camshaft | - | 1 |
| - | - | Gear, Camshaft (See Timing Gear Service Assembly 688 GBA 13 and 14) | | |
| 42 AX | 214 | Key, Camshaft Gear (3/8"x5/16"x5/8") | 1 | 1 |
| 6 AX | 345 | Screw, Camshaft Gear (3/8"-16x1-3/4") | 4 | 4 |

| Group No. | Part No. | Description | No. Req'd. | |
|--|------------|---|------------|--------|
| | | | Col. 1 | Col. 2 |
| COLUMN #1 - MODEL EN-310 ENGINE - 3 ⁵ / ₈ " Bore x 5" Stroke | | | | |
| COLUMN #2 - MODEL EN-354 ENGINE - 3 ⁷ / ₈ " Bore x 5" Stroke | | | | |
| 0106 CAMSHAFT, TIMING, BEARINGS, ETC. (Cont'd) | | | | |
| | 1 BC 1120 | Wire, Camshaft Gear Screw Lock | 1 | 1 |
| | 1 BG 2194 | Washer, Camshaft Thrust (Fixed) (Without Screw) | 1 | 1 |
| | 10 AX 22 | Screw, Camshaft Thrust Washer (1/4"-20x7/8") | 4 | 4 |
| | 1 BG 112 | Screw, Camshaft Thrust | 1 | 1 |
| | 21 AX 58 | Nut, Camshaft Thrust Screw Lock (5/8"-18x5/16") | 1 | 1 |
| | 796 GB 19 | Indicator, Timing | 1 | 1 |
| | 10 AX 10 | Screw, Timing Indicator (#10-32x7/16") | 2 | 2 |
| | 688 GBA 13 | Gear Service Assembly, Timing (Without Compressor) (Consists of Crankshaft Gear and Camshaft Gear) | 1 | 1 |
| | 688 GBA 14 | Gear Service Assembly, Timing (With Compressor) (Consists of Crankshaft Gear, Camshaft Gear and Compressor Drive Gear) | 1 | 1 |
| | 59 GB 124A | Bearing, Camshaft (#1) | 1 | 1 |
| | 59 GB 125A | Bearing, Camshaft (#2) | 1 | 1 |
| | 59 GB 126A | Bearing, Camshaft (#3) | 1 | 1 |
| | 59 GB 137A | Bearing, Camshaft (#4) | 1 | 1 |
| | 1 CF 1298 | Cover, Camshaft Rear Bearing | 1 | 1 |
| | 538 GB 11 | Gasket, Camshaft Rear Bearing Cover | 1 | 1 |
| | 6 AX 375 | Screw, Camshaft Rear Bearing Cover (1/4"-20x1/2") | 8 | 8 |

0107 OIL PUMP, OIL PAN, GAUGE, OIL FILTER AND OIL TANK



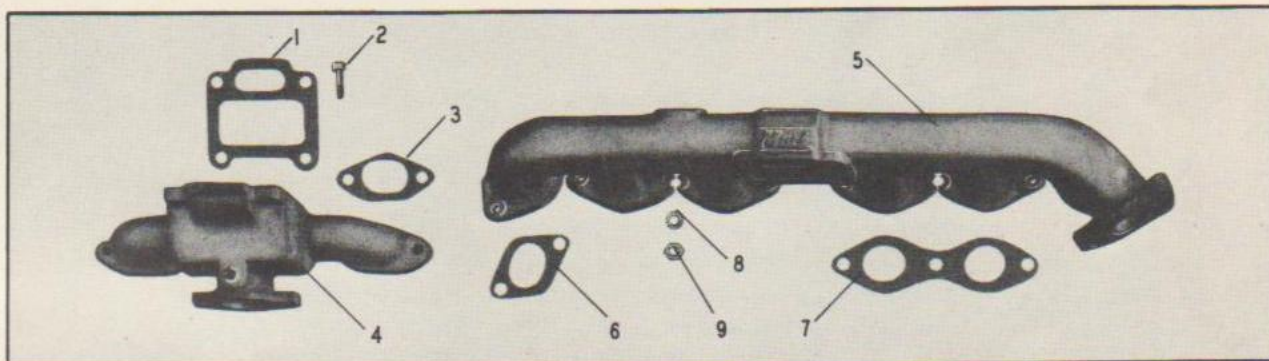
| Ref. No. | PART NAME | Govt. Group | Ref. No. | PART NAME | Govt. Group | Ref. No. | PART NAME | Govt. Group |
|----------|------------------------------|-------------|----------|--------------------------------------|-------------|----------|--|-------------|
| 1. | Cap—Crankcase Oil Filler | 0107 | 10. | Shaft—Oil Pump Idler Gear | 0107 | 16. | Housing & Idler Gear Shaft Assembly—Oil Pump | 0107 |
| 2. | Indicator Complete—Oil Level | 0107 | 11. | Bushing—Oil Pump Idler Gear | 0107 | 17. | Gasket—Oil Pump Housing | 0107 |
| 3. | Filler—Crankcase Oil | 0107 | 12. | Gear—Bushing Assembly—Oil Pump Idler | 0107 | 18. | Screw—Oil Pump Housing Cover | 0107 |
| 4. | Gasket—Oil Filter | 0107 | 13. | Shaft—Oil Pump Driving | 0107 | 19. | Plunger—Oil Pressure Relief Valve | 0107 |
| 5. | Filter—Oil | 0107 | 14. | Gear—Oil Pump Driving Shaft | 0107 | 20. | Spring Assembly—Oil Pressure Relief Valve | 0107 |
| 6. | Screw—Oil Filter Bridge | 0107 | 15. | Washer—Oil Pump Driving Shaft Thrust | 0107 | 21. | Cover—Oil Pump Housing | 0107 |
| 7. | Bridge—Oil Filter | 0107 | | | | 22. | Screen—Oil Pump | 0107 |
| 8. | Cover—Oil Filter | 0107 | | | | | | |
| 9. | Plug—Oil Filter Drain | 0107 | | | | | | |

| | | | |
|-----------|---|---|---|
| 6 BG 32A | Pump Assembly, Oil | 1 | 1 |
| 6 BG 115 | Housing and Idler Gear Shaft Assembly, Oil Pump | 1 | 1 |
| 589 GB 16 | Gasket, Oil Pump Housing | 1 | 1 |
| 6 AX 157 | Screw, Oil Pump Housing & Cylinder (3/8"-16x1") | 3 | 3 |
| 1 AB 1353 | Wire, Oil Pump Housing & Cylinder Screw Lock | 1 | 1 |
| 6 BG 329 | Cover, Oil Pump Housing | 1 | 1 |
| 6 AX 190 | Screw, Oil Pump Housing Cover (1/4"-20x5/8") | 7 | 7 |

| Group No. | Part No. | Description | No. Req'd. | |
|--|--------------|---|------------|--------|
| | | | Col. 1 | Col. 2 |
| COLUMN #1 - MODEL EN-310 ENGINE - 3 ⁵ / ₈ " Bore x 5" Stroke | | | | |
| COLUMN #2 - MODEL EN-354 ENGINE - 3 ⁷ / ₈ " Bore x 5" Stroke | | | | |
| 0107 OIL PUMP, OIL PAN, GAUGE, OIL FILTER AND OIL TANK (Cont'd) | | | | |
| | 5 AB 1412 | Wire (Long), Oil Pump Housing Cover Screw Lock | 1 | 1 |
| | 6 AL 176 | Wire (Short), Oil Pump Housing Cover Screw Lock | 2 | 2 |
| | 6 BG 21 | Shaft, Oil Pump Driving | 1 | 1 |
| | 42 AX 142 | Key, Oil Pump Driving Shaft (1/4"x3/16"x7/8") | 1 | 1 |
| | 6 BG 13A | Gear, Oil Pump Driving Shaft | 1 | 1 |
| | 702 GC 17 | Washer, Oil Pump Driving Shaft Thrust | 1 | 1 |
| | 31 AX 10 | Pin, Oil Pump Driving Shaft Thrust Washer (1/8" x 5/16") | 1 | 1 |
| | 6 BG 113A | Gear and Bushing Assembly, Oil Pump Idler | 1 | 1 |
| | 6 BG 18 | Bushing, Oil Pump Idler Gear | 1 | 1 |
| | 6 BG 12 | Shaft, Oil Pump Idler Gear | 1 | 1 |
| | 6 CFA 1136 | Spring Assembly, Oil Pressure Relief Valve | 1 | 1 |
| | 6 BC 129 | Plunger, Oil Pressure Relief Valve | 1 | 1 |
| | 6 BG 225 | Screen, Oil Pump | 1 | 1 |
| | 240 GB 512 | Crankcase, Lower | 1 | 1 |
| | 1 BG 1659 | Gasket, Lower Crankcase | 1 | 1 |
| | 1 BG 1646 | Plug, Lower Crankcase Drain | 1 | 1 |
| | 39 AX 23 | Gasket, Lower Crankcase Drain Plug (7/8" x 1-1/8" x 1-1/16") | 1 | 1 |
| | 4 AX 58 | Screw, Lower Crankcase & Cylinder (3/8"-16x7/8") | 22 | 22 |
| | 36 AX 3 | Washer, Lower Crankcase & Cylinder Screw (3/8") | 22 | 22 |
| | 4 AX 58 | Screw, Lower Crankcase & Gear Cover (3/8"-16x7/8") | 2 | 2 |
| | 36 AX 3 | Washer, Lower Crankcase & Gear Cover Screw (3/8") | 2 | 2 |
| | 4 AX 122 | Screw (Long), Lower Crankcase & Lower Slinger Housing (3/8"-16 x 3-3/4") | 2 | 2 |
| | 36 AX 3 | Washer, Lower Crankcase & Slinger Housing Lower (Long) Screw (3/8") | 2 | 2 |
| | 20 AX 3 | Nut, Lower Crankcase & Slinger Housing (Lower) Stud (3/8"-24) | 1 | 1 |
| | 36 AX 3 | Washer, Lower Crankcase & Slinger Housing (Lower) Stud (3/8") | 1 | 1 |
| | 477 GB 314A | Filler, Crankcase Oil (EH & EHT) | 1 | 1 |
| | 477 GB 36A | Filler, Crankcase Oil (EHU & EHUT only) | 1 | 1 |
| | 1 BG 1245 | Gasket, Crankcase Oil Filler | 1 | 1 |
| | 4 AX 1 | Screw, Crankcase Oil Filler (3/8"-16 x 1") | 3 | 3 |
| | 36 AX 3 | Washer, Crankcase Oil Filler Screw (3/8") | 3 | 3 |
| | 221 GB 15 | Cap, Crankcase Oil Filler | 1 | 1 |
| | 795 GB 226 | Indicator Complete, Oil Level (EH & EHT only) | 1 | 1 |
| | 795 GB 227 | Indicator Complete, Oil Level (EHU & EHUT only) | 1 | 1 |
| | 15 EJ 329-8 | Gauge, Oil (Stewart Warner #97751) | 1 | 1 |
| | 15 EH 313P26 | Nut, Oil Gauge Lock (Stewart Warner #69878) | 1 | 1 |
| | 15 EH 313P27 | Lockwasher, Oil Gauge Lock Nut (Stewart Warner #65004) | 1 | 1 |
| | 15 MTC 21P2 | Tubing, Oil Gauge (EH & EHT only) | 1 | 1 |
| | 15 MTC 21P4 | Tubing, Oil Gauge (EHU & EHUT only) | 1 | 1 |
| | 63 AX 330 | Elbow, Oil Gauge Tubing (EHU & EHUT only) (7/16"-20) | 1 | 1 |
| | 63 AX 458 | Elbow, Oil Gauge Tubing (EH & EHT only) (1/8") | 1 | 1 |
| | 63 AX 329 | Connector, Oil Gauge Tubing (EH & EHT only) (7/16"-20) | 1 | 1 |
| | 63 AX 332 | Coupling, Oil Gauge Tubing (EH & EHT only) (7/16"-20) | 1 | 1 |
| | 83 AX 25 | Clamp, Oil Gauge Tubing (1/4") | 1 | 1 |
| | 83 AX 35 | Clamp, Oil Gauge Tubing (#304) | 1 | 1 |
| | 485 GB 445 | Filter, Oil (WGB #EM-133) | 1 | 1 |

| Group No. | Part No. | Description | No. Req'd. | | |
|--|---------------|-----------------|--|----------|-----|
| | | | Col. 1 | Col. 2 | |
| COLUMN #1 - MODEL EN-310 ENGINE - 3 ⁵ / ₈ " Bore x 5" Stroke | | | | | |
| COLUMN #2 - MODEL EN-354 ENGINE - 3 ⁷ / ₈ " Bore x 5" Stroke | | | | | |
| 0107 OIL PUMP, OIL PAN, GAUGE, OIL FILTER AND OIL TANK (Cont'd) | | | | | |
| COMPONENT PARTS OF OIL FILTER - 485 GB 445 | | | | | |
| | Mack Part No. | W.G.B. Part No. | Description | No. Req. | |
| | 236GB29 | T-108 | Cartridge | 1 | |
| | 301SB18 | T-106 | Plug, Drain | 1 | |
| | 42SB14 | T-103 | Cover | 1 | |
| | 121SB20 | T-107 | Gasket | 1 | |
| | 25SB12 | T-102 | Bridge | 1 | |
| | 365SB17 | T-101 | Screw, Bridge | 1 | |
| 582 GB | 12 | | Gasket, Oil Filter | | 1 1 |
| 16 AX | 204 | | Stud, Oil Filter & Cylinder (1/2"-20x1-13/16"x1/2"-13) | | 4 4 |
| 36 AX | 5 | | Washer, Oil Filter & Cylinder Stud (0.515) | | 4 4 |
| 20 AX | 5 | | Nut, Oil Filter & Cylinder Stud (1/2"-20) | | 4 4 |
| 201 GC | 12 | | Tube (Complete), Compressor Oil | | 1 1 |
| 1 BG | 1664 | | Loom, Compressor Oil Tube | | 3 3 |
| 63 AX | 330 | | Elbow, Compressor Oil Tube (7/16"-20) | | 2 2 |
| 83 AX | 214 | | Clamp, Compressor Oil Tube (3/8") | | 1 1 |
| 83 AX | 215 | | Clamp, Compressor Oil Tube (3/8") | | 2 2 |

0108 MANIFOLD



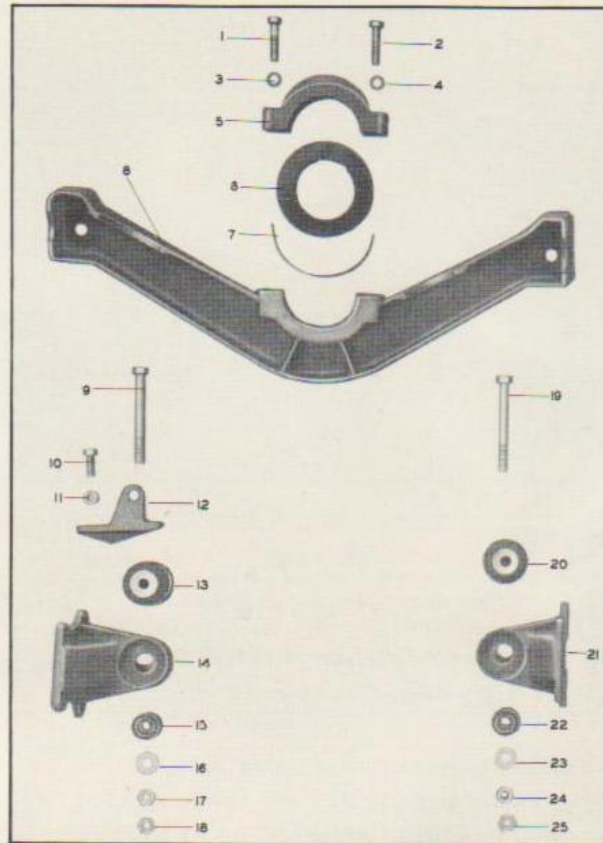
| Ref. No. | PART NAME | Govt. Group | Ref. No. | PART NAME | Govt. Group | Ref. No. | PART NAME | Govt. Group |
|----------|---------------------------------|-------------|----------|------------------------------------|-------------|----------|---|-------------|
| 1. | Gasket—Inlet Manifold Vaporizer | 0108 | 4. | Manifold Assembly—Inlet | 0108 | 7. | Gasket—Exhaust Manifold & Cylinder (Center) | 0108 |
| 2. | Screw—Inlet Manifold Vaporizer | 0108 | 5. | Manifold & Stud Assembly—Exhaust | 0108 | 8. | Washer—Exhaust Manifold & Cylinder Stud | 0108 |
| 3. | Gasket—Inlet Manifold | 0108 | 6. | Gasket—Exhaust Manifold & Cylinder | 0108 | 9. | Nut—Exhaust Manifold & Cylinder Stud | 0108 |

| | | | | | | |
|---------|-------|--|--|--|---|---|
| 105 GCA | 14A | | Manifold Assembly, Inlet (EHU) | | 1 | - |
| 2 BGA | 160 | | Manifold Assembly, Inlet (EH) | | 1 | - |
| 105 GCA | 15A | | Manifold Assembly, Inlet (EHT & EHUT) | | - | 1 |
| 573 GB | 15 | | Gasket, Inlet Manifold | | 2 | 2 |
| 37 AX | 256 | | Washer, Inlet Manifold Stud (15/32" x 7/8" x 1/8") | | 4 | 4 |
| 17 AX | 42 | | Stud, Inlet Manifold (7/16"-14 x 1-7/8") | | 4 | 4 |
| 1 AB | 11066 | | Nut, Inlet Manifold Stud | | 4 | 4 |
| 2 BG | 25B | | Gasket, Inlet Manifold Vaporizer | | 1 | 1 |
| 36 AX | 42 | | Washer, Inlet Manifold & Vaporizer Screw (7/16") | | 4 | 4 |
| 1 AB | 11061 | | Screw, Inlet Manifold Vaporizer | | 4 | 4 |
| 63 AX | 112 | | Plug, Inlet Manifold (3/8") | | 2 | 2 |
| 3 BGA | 148 | | Manifold & Stud Assembly, Exhaust | | 1 | 1 |

0108
0110

| Group No. | Part No. | Description | No. Req'd. | |
|--|--------------|---|------------|--------|
| | | | Col. 1 | Col. 2 |
| COLUMN #1 - MODEL EN-310 ENGINE - 3 ⁵ / ₈ " Bore x 5" Stroke | | | | |
| COLUMN #2 - MODEL EN-354 ENGINE - 3 ⁷ / ₈ " Bore x 5" Stroke | | | | |
| 0108 MANIFOLD (Cont'd) | | | | |
| | 3 BG 13A | Gasket, Exhaust Manifold & Cylinder | 2 | 2 |
| | 2 BG 23A | Gasket (Center), Exhaust Manifold & Cylinder | 2 | 2 |
| | 17 AX 42 | Stud, Exhaust Manifold & Cylinder (7/16"-14x1-7/8") | 10 | 10 |
| | 37 AX 256 | Washer, Exhaust Manifold & Cylinder Stud (15/32") | 10 | 10 |
| | 1 AB 11066 | Nut, Exhaust Manifold & Cylinder Stud | 10 | 10 |
| 0109 FLYWHEEL, RING GEAR, ETC. | | | | |
| | 530 GBA 115A | Flywheel Assembly | 1 | - |
| | 530 GBA 168A | Flywheel Assembly | - | 1 |
| | 673 GB 221 | Gear, Flywheel Ring | 1 | 1 |
| | 1 BG 118 | Bolt, Flywheel | 6 | 6 |
| | 21 AX 33 | Nut, Flywheel Bolt (1/2"-20) | 6 | 6 |
| | 29 AX 3 | Cotter, Flywheel Bolt (3/32" x 1") | 6 | 6 |
| 0110 ENGINE MOUNTING | | | | |
| | 14 EH 49 | Support, Engine (Front) (EH & EHT only) | 1 | 1 |
| | 10 QL 33 | Support, Engine (Front) (EHU & EHUT only) | 1 | 1 |
| | 1 AX 140 | Bolt, Engine Front Support (EHU & EHUT only) (5/8"-18 x 3") | 8 | 8 |
| | 36 AX 7 | Washer, Engine Front Support Bolt (EHU & EHUT only) (0.655) | 8 | 8 |
| | 20 AX 7 | Nut, Engine Front Support Bolt (EHU & EHUT only) (5/8"-18) | 8 | 8 |
| | 24 AX 12 | Rivet, Engine Front Support (EH & EHT only) (1/2" x 1-1/2") | 8 | 8 |
| | 14 EH 24 | Cap, Engine Front Support | 1 | 1 |
| | 1 AX 145 | Bolt, Engine Front Support & Cap (1/2"-20x2-5/8") | 2 | 2 |
| | 36 AX 5 | Washer, Engine Front Support & Cap Bolt (0.515) | 2 | 2 |
| | 14 CG 240 | Insulator, Engine Front Support | 1 | 1 |
| | 14 EH 11 | Plate, Engine Front Support Rubber Guide | 1 | 1 |
| | 46 QL 11 | Spacer, Engine Front Support (EHU & EHUT only) | 1 | 1 |
| | 1 BG 516B | Support, Engine (Rear) | 1 | 1 |
| | 1 BG 1549 | Screw, Engine Rear Support & Crankcase | 6 | 6 |
| | 36 AX 5 | Washer, Engine Rear Support & Crankcase Screw (0.515) | 6 | 6 |
| | 31 AX 119 | Dowel, Engine Rear Support & Cylinder (5/8"x1-7/16") | 2 | 2 |
| | 1 BG 3115 | Cover, Engine Rear Support | 1 | 1 |
| | 4 AX 195 | Screw, Engine Rear Support & Cover (3/8"-16x1/2") | 2 | 2 |
| | 36 AX 3 | Washer, Engine Rear Support & Cover Screw (3/8") | 2 | 2 |
| | 63 AX 27 | Plug, Timing Hole(3/4") | 1 | 1 |
| | 1 AX 117 | Bolt, Engine Rear Support Mounting (5/8"-18x5-1/2") | 2 | 2 |
| | 37 AX 172 | Washer, Engine Rear Support Mounting Bolt (41/64") | 2 | 2 |
| | 20 AX 7 | Nut, Engine Rear Support Mounting Bolt (5/8"-18) | 2 | 2 |
| | 123 AX 36 | Nut, Engine Rear Support Mounting Bolt Pal (5/8"-18) | 2 | 2 |
| | 14 EH 31A | Bracket, Engine Rear Support Frame (EH & EHT only) | 2 | 2 |
| | 14 EH 350 | Bracket (RH), Engine Rear Support Frame (EHU & EHUT only) | 1 | 1 |
| | 14 EH 351 | Bracket (LH), Engine Rear Support Frame (EHU & EHUT only) | 1 | 1 |
| | 24 AX 108 | Rivet, Engine Rear Support Frame Bracket (EHU & EHUT only) (1-5/8" x 3/8" x 7/8") | 6 | 6 |
| | 24 AX 109 | Rivet, Engine Rear Support Frame Bracket (EHU & EHUT only) (1/2" x 1-7/8") | 2 | 2 |

| Group No. | Part No. | Description | No. Req'd. | |
|--|----------|---|------------|--------|
| | | | Col. 1 | Col. 2 |
| COLUMN #1 - MODEL EN-310 ENGINE - 3 $\frac{5}{8}$ " Bore x 5" Stroke | | | | |
| COLUMN #2 - MODEL EN-354 ENGINE - 3 $\frac{7}{8}$ " Bore x 5" Stroke | | | | |
| 0110 ENGINE MOUNTING (Cont'd) | | | | |
| 24 AX | 22 | Rivet, Engine Rear Support Frame Bracket (EH & EHT only) (1/2" x 2") | 2 | 2 |
| 24 AX | 108 | Rivet, Engine Rear Support Frame Bracket (EH & EHT only) (1-5/8" x 3/8" x 7/8") | 2 | 2 |
| 24 AX | 109 | Rivet, Engine Rear Support Frame Bracket (EH & EHT only) (1/2" x 1-7/8") | 4 | 4 |



| Ref. No. | PART NAME | Govt. Group | Ref. No. | PART NAME | Govt. Group | Ref. No. | PART NAME | Govt. Group |
|----------|--|-------------|----------|---|-------------|----------|---|-------------|
| 1. | Bolt—Engine Front Support and Cap | 0110 | 10. | Bolt—Engine Stay Bracket Adjusting | 0110 | 18. | Nut—Engine Rear Support Mounting Bolt Pal | 0110 |
| 2. | Bolt—Engine Front Support and Cap | 0110 | 11. | Nut—Engine Stay Bracket Adjusting Bolt | 0110 | 19. | Bolt—Engine Rear Support Mounting | 0110 |
| 3. | Lockwasher—Engine Front Support and Cap Bolt | 0110 | 12. | Bracket—Engine Stay | 0110 | 20. | Insulator—Engine Rear Support Top | 0110 |
| 4. | Lockwasher—Engine Front Support and Cap Bolt | 0110 | 13. | Insulator—Engine Rear Support Top | 0110 | 21. | Bracket—Engine Rear Support Frame (R. H.) | 0110 |
| 5. | Cap—Engine Front Support | 0110 | 14. | Bracket—Engine Rear Support Frame (L. H.) | 0110 | 22. | Insulator—Engine Rear Support Bottom | 0110 |
| 6. | Insulator—Engine Front Support | 0110 | 15. | Insulator—Engine Rear Support Bottom | 0110 | 23. | Washer—Engine Rear Support Mounting Bolt | 0110 |
| 7. | Plate—Engine Front Support Rubber Guide | 0110 | 16. | Washer—Engine Rear Support Mounting Bolt | 0110 | 24. | Nut—Engine Rear Support Mounting Bolt | 0110 |
| 8. | Support—Engine Front | 0110 | 17. | Nut—Engine Rear Support Mounting Bolt | 0110 | 25. | Nut—Engine Rear Support Mounting Bolt Pal | 0110 |
| 9. | Bolt—Engine Rear Support Mounting | 0110 | | | | | | |

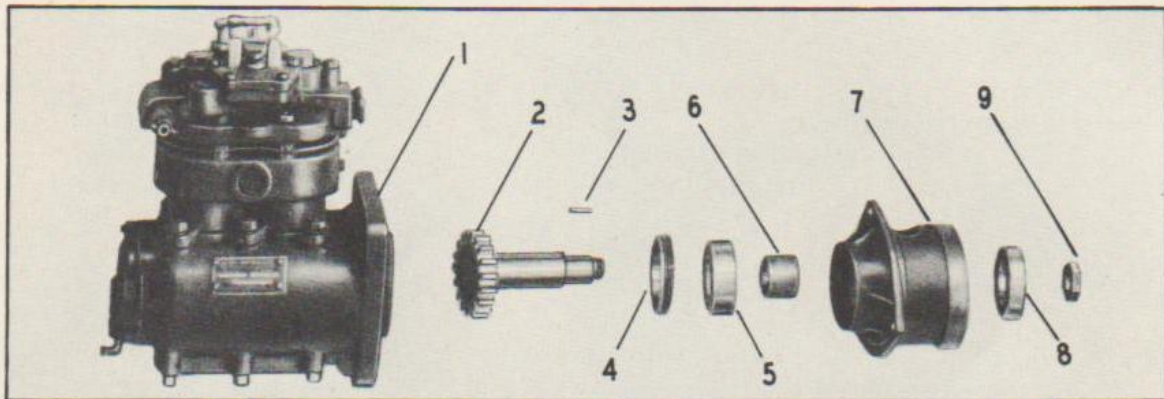
| | | | | |
|-------|------|---|---|---|
| 1 CQ | 2018 | Insulator (Top), Engine Rear Support | 2 | 2 |
| 1 CQ | 2025 | Insulator (Bottom), Engine Rear Support | 2 | 2 |
| 73 QL | 22 | Bracket, Engine Stay (EH & EHT only) | 1 | 1 |
| 73 QL | 24 | Bracket, Engine Stay (EHU & EHUT only) | 1 | 1 |
| 6 AX | 528 | Bolt, Engine Stay Bracket Adjusting | 1 | 1 |
| 22 AX | 17 | Nut, Engine Stay Bracket Adjusting Bolt (1/2"-13) | 1 | 1 |

0112

| Group No. | Part No. | Description | No. Req'd. | |
|--|----------|-------------|------------|--------|
| | | | Col. 1 | Col. 2 |
| COLUMN #1 - MODEL EN-310 ENGINE - 3 ⁵ / ₈ " Bore x 5" Stroke | | | | |
| COLUMN #2 - MODEL EN-354 ENGINE - 3 ⁷ / ₈ " Bore x 5" Stroke | | | | |

0112 ACCESSORY DRIVE

| | | | | |
|----|----------|--|---|---|
| 1 | BG 393B | Housing, Compressor Drive | 1 | 1 |
| 6 | AX 229 | Screw, Compressor Drive Housing (3/8"-16 x 7/8") | 3 | 3 |
| 1 | BC 1169 | Wire, Compressor Drive Housing Screw Lock | 1 | 1 |
| 1 | BG 2144B | Shaft, Compressor Drive | 1 | 1 |
| 46 | AX 64 | Bearing (Rear), Compressor Drive (SKF 6206A) | 1 | 1 |
| 46 | AX 200 | Bearing (Front), Compressor Drive (SKF 5206X) | 1 | 1 |
| 1 | CF 138 | Nut, Compressor Drive (Front) Bearing Retainer | 1 | 1 |
| 29 | AX 11 | Cotter, Compressor Drive (Front) Bearing Retainer Nut (3/32" x 1/2") | 1 | 1 |



| Ref. No. | PART NAME | Govt. Group | Ref. No. | PART NAME | Govt. Group | Ref. No. | PART NAME | Govt. Group |
|----------|---|-------------|----------|----------------------------------|-------------|----------|---------------------------------|-------------|
| 1. | Compressor—Air | 1213 | 5. | Bearing—Compressor Drive (Front) | 0112 | 8. | Bearing—Compressor Drive (Rear) | 0112 |
| 2. | Shaft—Compressor Drive | 0112 | 6. | Spacer—Compressor Drive Shaft | 0112 | 9. | Nut—Compressor Drive Gear | 0112 |
| 3. | Key—Compressor Drive Gear | 0112 | 7. | Housing—Compressor Drive | 0112 | | | |
| 4. | Nut—Compressor Drive Bearing Retainer (Front) | 0112 | | | | | | |

| | | | | |
|----|---------|--|---|---|
| 1 | BG 1377 | Spacer, Compressor Drive Shaft | 1 | 1 |
| - | - | Gear, Compressor Drive (See Timing Gear Service Assembly Group 0106) | 1 | 1 |
| 42 | AX 42 | Key, Compressor Drive Gear (1/4" x 1/4" x 7/8") | 1 | 1 |
| 21 | AX 262 | Nut, Compressor Drive Gear (3/4" -16 x 11/32") | 1 | 1 |
| 29 | AX 4 | Cotter, Compressor Drive Gear Nut (3/32" x 1-1/4") | 1 | 1 |

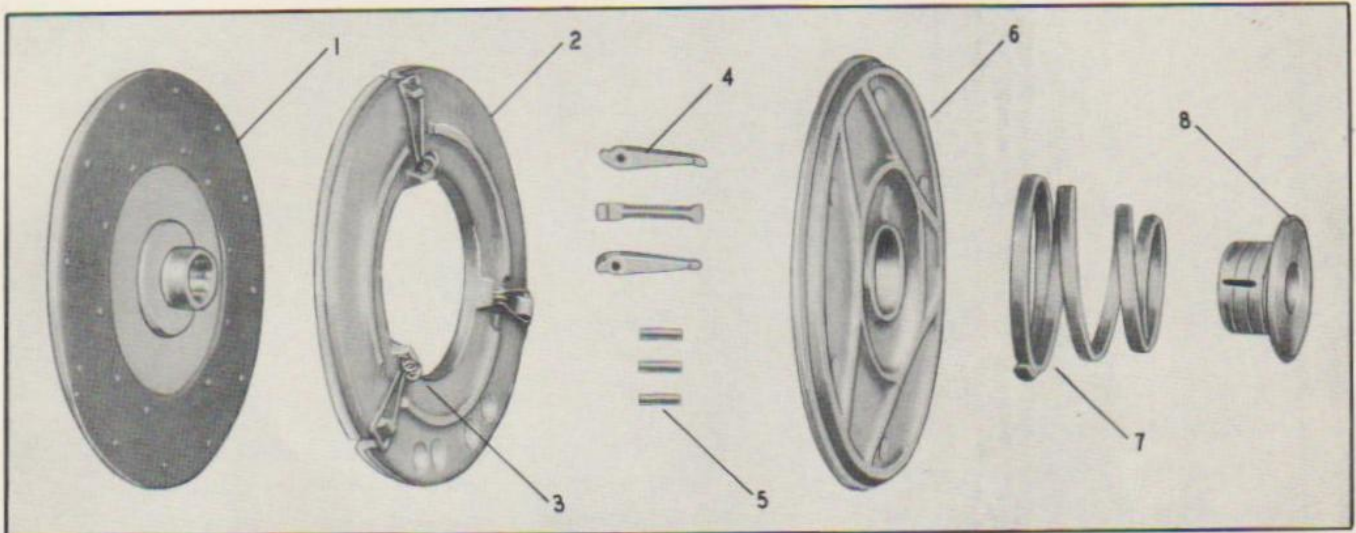
| Group No. | Part No. | Description | No. Req'd. | |
|-----------|----------|-------------|------------|--------|
| | | | Col. 1 | Col. 2 |

02 - CLUTCH

COLUMN #1 - MODELS EH, EHU - (EN310 ENGINE)
 COLUMN #2 - MODELS EH, EHT, EHUT - (EN354 ENGINE)

- 0200 7 EH 41B - Clutch Assembly (CL13) (EN-310 Engine)
- 11 HB 431 - Clutch Assembly (CL33) (EN-354 Engine)

0201 CLUTCH DISC



| Ref. No. | PART NAME | Govt. Group | Ref. No. | PART NAME | Govt. Group | Ref. No. | PART NAME | Govt. Group |
|----------|--------------------------------|-------------|----------|--------------------------------------|-------------|----------|------------------------|-------------|
| 1. | Plate Assembly—Clutch Driven | 0201 | 3. | Spring—Clutch Pressure Plate Release | 0202 | 6. | Cover Assembly—Clutch | 0202 |
| 2. | Plate Assembly—Clutch Pressure | 0202 | 4. | Lever—Clutch Pressure | 0202 | 7. | Spring—Clutch | 0202 |
| | | | 5. | Pin—Clutch Pressure Lever | 0202 | 8. | Sleeve Assembly—Clutch | 0202 |

| | | | |
|-------------|---------------------------------------|----|----|
| 7 BGA 342 | Plate Assembly, Clutch Driven | 1 | - |
| 101 HBA 362 | Plate Assembly, Clutch Driven | - | 1 |
| 7 BG 331 | Facing, Clutch | 2 | - |
| 151 HB 341 | Facing, Clutch | - | 2 |
| 28 AX 58 | Rivet, Clutch Facing (9/16" x 21/64") | 36 | 36 |

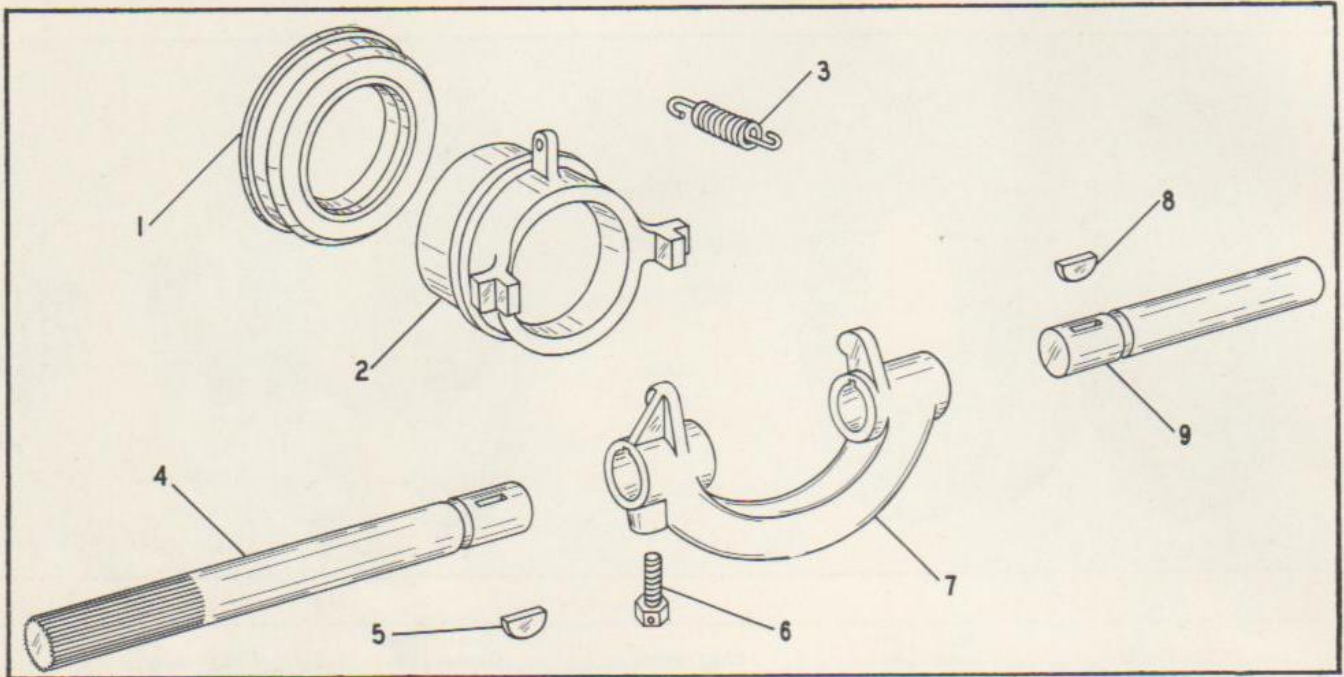
0202 COVER, PRESSURE PLATE AND SPRINGS

| | | | |
|-----------|---|---|---|
| 7 EHB 14 | Cover Assembly, Clutch (Borg & Beck #10708) | - | 1 |
| 7 EHB 11 | Cover Assembly, Clutch (Borg & Beck #10884) | 1 | - |
| 7 EHB 2 | Spring, Clutch (Borg & Beck #2092) | 1 | - |
| 7 EHB 13 | Spring, Clutch (Borg & Beck #2093) | - | 1 |
| 7 EHB 3 | Pin, Clutch Flywheel (Borg & Beck #2219) | 3 | 3 |
| 7 EHB 4 | Spring, Clutch Pressure Plate Release (Borg & Beck #2513) | 3 | - |
| 7 EHB 18 | Spring, Clutch Pressure Plate Release (Borg & Beck #3654) | - | 3 |
| 7 EHB 5 | Pin, Clutch Pressure Lever (Borg & Beck #2519) | 3 | 3 |
| 7 EHB 6 | Lever, Clutch Pressure (Borg & Beck #2558) | 3 | - |
| 221 SC 11 | Lever, Clutch Pressure (Borg & Beck #4185) | - | 3 |
| 7 EHB 7 | Clamp, Clutch Cover (Borg & Beck #2570) | 6 | - |
| 7 BMB 6 | Clamp, Clutch Cover (Borg & Beck #3153) | - | 6 |
| 7 EHB 8 | Key, Clutch Sleeve (Borg & Beck #2597) | 1 | 1 |
| 7 EHB 9 | Sleeve Assembly, Clutch (Borg & Beck #10440) | 1 | 1 |
| 7 EHB 10 | Plate Assembly, Clutch Pressure (Borg & Beck #10568) | 1 | - |

0202
0204

| Group No. | Part No. | Description | No. Req'd. | |
|---|----------|--|------------|--------|
| | | | Col. 1 | Col. 2 |
| COLUMN #1 - MODELS EH, EHU - (EN310 ENGINE) | | | | |
| COLUMN #2 - MODELS EH, EHT, EHUT - (EN354 ENGINE) | | | | |
| 0202 COVER, PRESSURE PLATE AND SPRINGS (Cont'd) | | | | |
| | 7 EHB 17 | Plate Assembly, Clutch Pressure (Borg & Beck #10886) | - | 1 |
| | 4 AX 4 | Bolt, Mounting (7/16"-14 x 1-1/4") | 6 | 6 |

0203 RELEASE LEVER, BEARINGS, FORKS ETC.



| Ref. No. | PART NAME | Govt. Group | Ref. No. | PART NAME | Govt. Group | Ref. No. | PART NAME | Govt. Group |
|----------|---------------------------------|-------------|----------|-------------------------------|-------------|----------|-------------------------------|-------------|
| 1. | Bearing—Clutch Throwout Collar | 0203 | 3. | Spring—Clutch Throwout Collar | 0203 | 6. | Screw—Clutch Throwout Yoke | 0203 |
| 2. | Collar Assembly—Clutch Throwout | 0203 | 4. | Shaft—Clutch Throwout (L. H.) | 0203 | 7. | Yoke—Clutch Throwout | 0203 |
| | | | 5. | Key—Clutch Throwout Shaft | 0203 | 8. | Key—Clutch Throwout Shaft | 0203 |
| | | | | | | 9. | Shaft—Clutch Throwout (R. H.) | 0203 |

| | | | |
|------------|---|---|---|
| 366 KBA 19 | Collar Assembly, Clutch Throwout | 1 | 1 |
| 604 KC 13 | Shaft, Clutch Throwout RH | 1 | 1 |
| 604 KC 17 | Shaft, Clutch Throwout LH | 1 | 1 |
| 117 KD 14 | Spring, Clutch Throwout Collar | 1 | 1 |
| 301 KD 22 | Yoke, Clutch Throwout | 1 | 1 |
| 3 AX 758 | Screw, Clutch Throwout Yoke (3/8"-24 x 1") | 2 | 2 |
| 43 AX 9 | Key, Clutch Throwout Shaft (3/16" x 7/8") | 2 | 2 |
| 44 AX 63 | Fittings, Clutch Throwout Shaft Alemite LH (1/8") | 1 | 1 |
| 44 AX 64 | Fittings, Clutch Throwout Shaft Alemite RH (1/8") | 1 | 1 |
| 46 AX 323 | Bearing, Clutch Throwout Collar (Aetna #A-959-1) | 1 | 1 |

COLUMN #1 - MODEL EH - HYDRAULIC
 COLUMN #2 - MODEL EHU - HYDRAULIC
 COLUMN #3 - MODEL EHT - AIR
 COLUMN #4 - MODEL EHUT - AIR

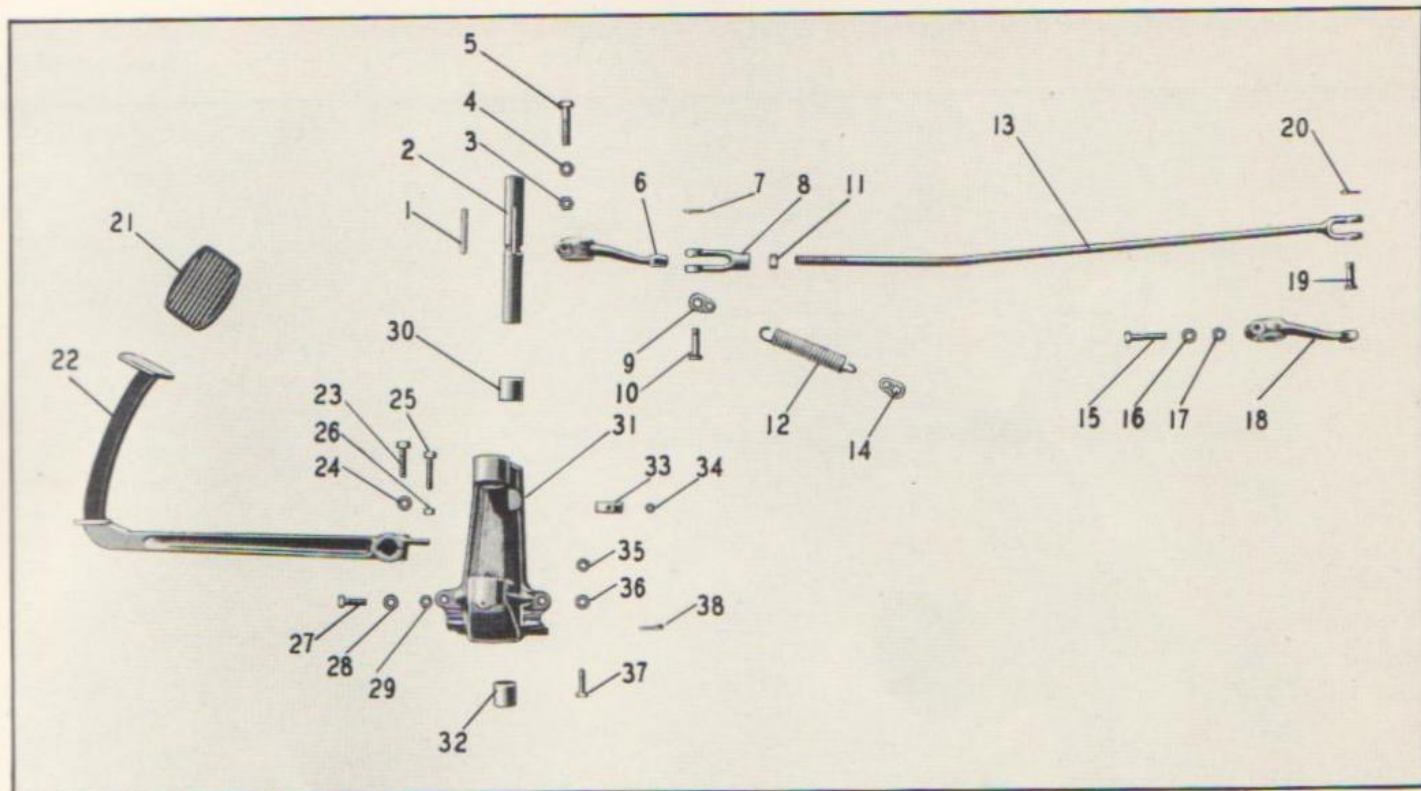
0204 PEDAL AND SPRINGS

| | |
|-----------|---|
| 10 EH 140 | Pad, Clutch Pedal |
| 4 AX 229 | Screw, Clutch Pedal Stop (3/8"-16x1-3/4") |
| 22 AX 2 | Nut, Clutch Pedal Stop (3/8"-16) |

| No. Req'd | | | |
|-----------|--------|--------|--------|
| Col. 1 | Col. 2 | Col. 3 | Col. 4 |
| 1 | 1 | 1 | 1 |
| 1 | 1 | 1 | 1 |
| 1 | 1 | 1 | 1 |

| Group No. | Part No. | Description | No. Req'd | | | |
|-----------|----------|-------------|-----------|--------|--------|--------|
| | | | Col. 1 | Col. 2 | Col. 3 | Col. 4 |

0204 PEDAL AND SPRINGS (Cont'd)

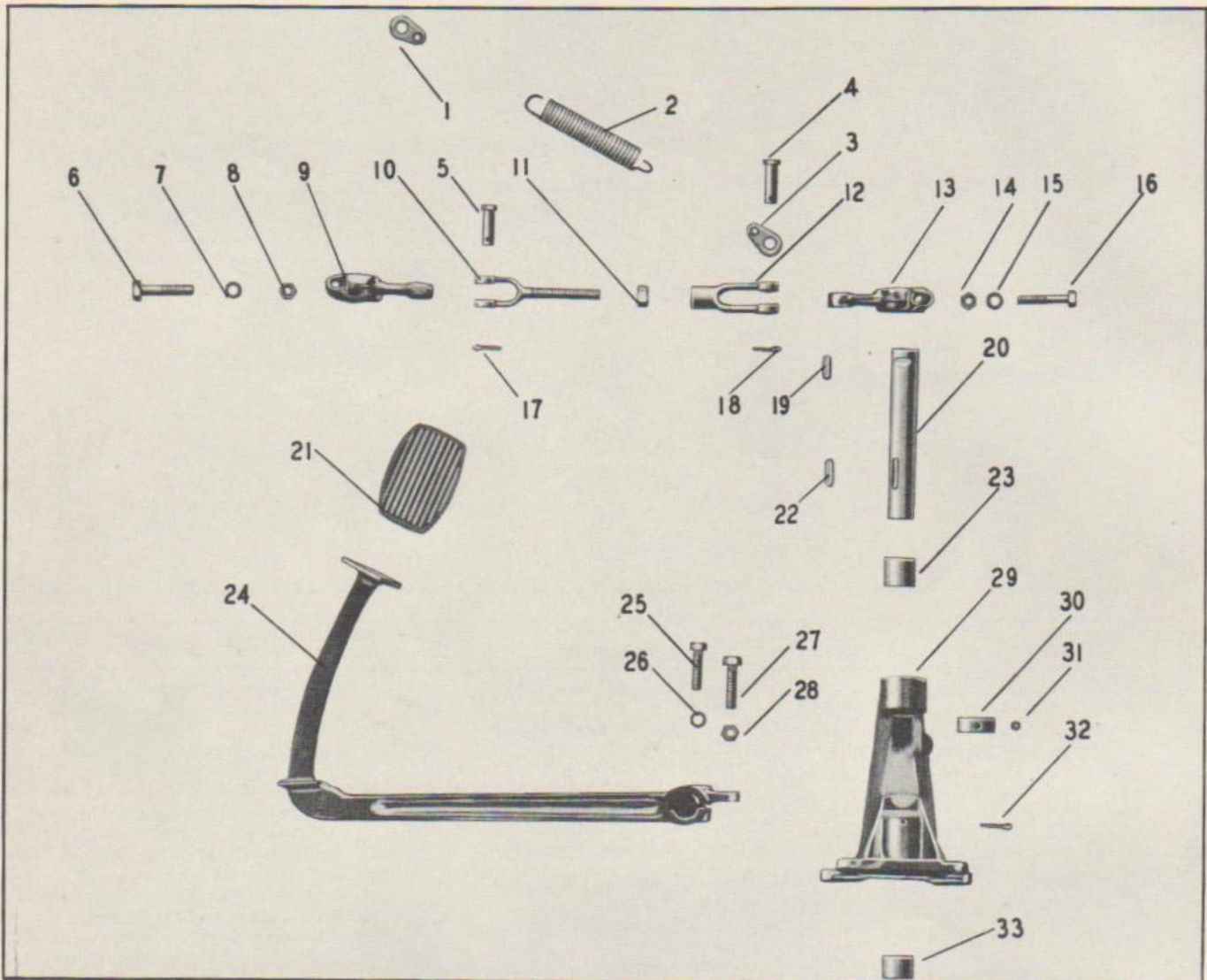


| Ref. No. | PART NAME | Govt. Group | Ref. No. | PART NAME | Govt. Group | Ref. No. | PART NAME | Govt. Group |
|----------|--|-------------|----------|--|-------------|----------|---|-------------|
| 1. | Key—Clutch and Brake Pedal Shaft | 0204 | 15. | Bolt—Clutch Release Shaft Lever | 0204 | 28. | Lockwasher—Clutch and Brake Pedal Bracket Mounting Bolt Nut | 0204 |
| 2. | Shaft—Clutch and Brake Pedal | 0204 | 16. | Lockwasher—Clutch Release Shaft Lever Bolt Nut | 0204 | 29. | Nut—Clutch and Brake Pedal Bracket Mounting Bolt | 0204 |
| 3. | Nut—Clutch Pedal Shaft Lever Bolt | 0204 | 17. | Nut—Clutch Release Shaft Lever Bolt | 0204 | 30. | Bushing—Pedal Shaft Bracket | 0204 |
| 4. | Lockwasher—Clutch Pedal Shaft Lever Bolt Nut | 0204 | 18. | Lever—Clutch Release Shaft | 0204 | 31. | Bracket and Bushing Assembly—Clutch and Brake Pedal | 0204 |
| 5. | Bolt—Clutch Pedal Shaft Lever | 0204 | 19. | Pin—Clutch Link Clevis | 0204 | 32. | Bushing—Pedal Shaft Bracket | 0204 |
| 6. | Lever—Clutch Pedal Shaft | 0204 | 20. | Pin—Clutch Link Clevis Pin Cotter | 0204 | 33. | Collar—Clutch Pedal | 0204 |
| 7. | Pin—Clutch Link Clevis Pin Cotter | 0204 | 21. | Pad—Clutch Pedal | 0204 | 34. | Screw—Clutch Pedal Collar Set | 0204 |
| 8. | Clevis—Clutch Link (Female) | 0204 | 22. | Pedal—Clutch | 0204 | 35. | Nut—Clutch and Brake Pedal Bracket Mounting Bolt | 0204 |
| 9. | Clip—Clutch Pedal Retractor Spring | 0204 | 23. | Bolt—Clutch Pedal Clamp | 0204 | 36. | Lockwasher—Clutch and Brake Pedal Bracket Mounting Bolt Nut | 0204 |
| 10. | Pin—Clutch Link Clevis | 0204 | 24. | Lockwasher—Clutch Pedal Clamp Bolt | 0204 | 37. | Bolt—Clutch and Brake Pedal Bracket Mounting | 0204 |
| 11. | Nut—Clutch Link Clevis | 0204 | 25. | Screw—Clutch and Brake Pedal Stop | 0204 | 38. | Pin—Clutch Pedal Shaft Bushing Retainer Cotter | 0204 |
| 12. | Spring—Clutch Pedal Retractor | 0204 | 26. | Nut—Clutch and Brake Pedal Stop Screw | 0204 | | | |
| 13. | Rod—Clutch Control | 0204 | 27. | Bolt—Clutch and Brake Pedal Bracket Mounting | 0204 | | | |
| 14. | Clip—Clutch Pedal Retractor Spring | 0204 | | | | | | |

COLUMN #1 - MODEL EH - HYDRAULIC
 COLUMN #2 - MODEL EHU - HYDRAULIC
 COLUMN #3 - MODEL EHT - AIR
 COLUMN #4 - MODEL EHUT - AIR

| | | | | | | | |
|----|----|------|---|---|---|---|---|
| 10 | EH | 411A | Pedal, Clutch | 1 | 1 | 1 | 1 |
| 42 | AX | 282 | Key, Clutch Pedal (5/16"x1/4"x1-7/32") | 1 | - | 1 | - |
| 42 | AX | 254 | Key, Clutch Pedal Shaft (5/16"x1/4"x7/8") | 1 | - | 1 | - |
| 1 | AX | 13 | Bolt, Clutch Pedal Clamp (3/8"-24x1-1/2") | 1 | 1 | 1 | 1 |
| 36 | AX | 3 | Washer, Clutch Pedal Clamp (3/8") | 1 | 1 | 1 | 1 |
| 8 | MX | 118 | Shaft, Clutch & Brake Pedal | 1 | - | 1 | - |
| 8 | MX | 17 | Shaft, Clutch & Brake Pedal | - | 1 | - | 1 |
| 12 | RU | 122 | Lever, Clutch Release Shaft | 1 | - | 1 | - |

0204 PEDAL AND SPRINGS (Cont'd)



| Ref. No. | PART NAME | Govt. Group | Ref. No. | PART NAME | Govt. Group | Ref. No. | PART NAME | Govt. Group |
|----------|--|-------------|----------|--|-------------|----------|---|-------------|
| 1. | Clip—Clutch Pedal Retractor | | 12. | Clevis—Clutch Link (Female) | 0204 | 25. | Bolt—Clutch Pedal Clamp | 0204 |
| 2. | Spring—Clutch Pedal Retractor | 0204 | 13. | Lever—Clutch Pedal Shaft | 0204 | 26. | Lockwasher—Clutch Pedal Clamp Bolt | 0204 |
| 3. | Clip—Clutch Pedal Retractor | | 14. | Nut—Clutch Pedal Shaft Bolt | 0204 | 27. | Screw—Clutch & Brake Pedal Stop | 0204 |
| 4. | Pin—Clutch Link Clevis | 0204 | 15. | Lockwasher—Clutch Pedal Shaft Bolt Nut | 0204 | 28. | Nut—Clutch & Brake Pedal Stop Screw | 0204 |
| 5. | Pin—Clutch Link Clevis | 0204 | 16. | Bolt—Clutch Pedal Shaft | 0204 | 29. | Bracket and Bushing Assembly—Clutch and Brake Pedal | 0204 |
| 6. | Bolt—Clutch Release Shaft Lever | 0204 | 17. | Pin—Clutch Link Clevis Pin Cotter | 0204 | 30. | Collar—Clutch Pedal | 0204 |
| 7. | Lockwasher—Clutch Release Shaft Lever Bolt Nut | 0204 | 18. | Pin—Clutch Link Clevis Pin Cotter | 0204 | 31. | Screw—Clutch Pedal Collar Set | 0204 |
| 8. | Nut—Clutch Release Shaft Lever Bolt | 0204 | 19. | Key—Clutch Pedal Shaft | 0204 | 32. | Pin—Clutch Pedal Shaft Bushing Retainer Cotter | 0204 |
| 9. | Lever—Clutch Release Shaft | 0204 | 20. | Shaft—Clutch and Brake Pedal | 0204 | 33. | Bushing—Pedal Shaft Bracket | 0204 |
| 10. | Clevis—Clutch Link (Male) | 0204 | 21. | Pad—Clutch Pedal | 0204 | | | |
| 11. | Nut—Clutch Link Clevis | 0204 | 22. | Key—Clutch Pedal | 0204 | | | |
| | | | 23. | Bushing—Pedal Shaft Bracket | 0204 | | | |
| | | | 24. | Pedal—Clutch | 0204 | | | |

| Group No. | Part No. | Description | No. Req'd | | | |
|-----------------------------------|-------------|--|-----------|--------|--------|--------|
| | | | Col. 1 | Col. 2 | Col. 3 | Col. 4 |
| COLUMN #1 - MODEL EH - HYDRAULIC | | | | | | |
| COLUMN #2 - MODEL EHU - HYDRAULIC | | | | | | |
| COLUMN #3 - MODEL EHT - AIR | | | | | | |
| COLUMN #4 - MODEL EHUT - AIR | | | | | | |
| 0204 PEDAL AND SPRINGS (Cont'd) | | | | | | |
| | 14 RU 123 | Lever, Clutch Release Shaft | - | 1 | - | 1 |
| | 10 EH 139 | Lever, Clutch Pedal Shaft | 1 | - | 1 | - |
| | 12 RU 110 | Lever, Clutch Pedal Shaft | - | 1 | - | 1 |
| | 1 AX 34 | Bolt, Clutch Release Pedal Shaft Lever (3/8"-24 x 2") | 2 | 2 | 2 | 2 |
| | 20 AX 3 | Nut, Clutch Release Pedal Shaft Lever (3/8"-24) | 2 | 2 | 2 | 2 |
| | 36 AX 3 | Washer, Clutch Release Pedal Shaft Lever (3/8") | 2 | 2 | 2 | 2 |
| | 29 AX 14 | Cotter, Pedal Shaft Bushing Retainer (1/8"x7/8") | 1 | - | 1 | - |
| | 10 AB 12040 | Spring, Clutch Pedal Retractor | 1 | 1 | 1 | 1 |
| | 35 AX 735 | Clip, Clutch Pedal Retractor Spring (3/4") | 2 | 2 | 2 | 2 |
| | 84 AX 38 | Clevis, Clutch Link (Male) (1/2"-20) | 1 | - | 1 | - |
| | 84 AX 24 | Clevis, Clutch Link (Female) (1/2"-20) | 1 | 1 | 1 | 1 |
| | 20 AX 5 | Nut, Clutch Link Clevis (1/2"-20) | 1 | 1 | 1 | 1 |
| | 33 AX 19 | Pin, Clutch Link Clevis (.496 x 1-11/32") | 1 | - | 1 | - |
| | 33 AX 46 | Pin, Clutch Link Clevis (.496 x 1-1/2") | 1 | - | 1 | - |
| | 29 AX 43 | Cotter, Clutch Link Clevis (3/32" x 3/4") | 2 | 2 | 2 | 2 |
| | 10 EMA 16 | Bracket & Bushing Assembly, Clutch & Brake Pedal | 1 | - | 1 | - |
| | 10 MXA 11 | Bracket & Bushing Assembly, Clutch & Brake Pedal | - | 1 | - | 1 |
| | 80 AX 141 | Bushing, Pedal Shaft Bracket (1.005"x1.252"x 1-1/4") | 1 | 1 | 1 | 1 |
| | 80 AX 107 | Bushing, Pedal Shaft Bracket (1.001"x1.252"x1") | 1 | - | 1 | - |
| | 42 AX 348 | Key, Clutch & Brake Pedal Shaft (1/4"x5/16"x 2-7/16") | - | 1 | - | 1 |
| | 33 AX 91 | Pin, Clutch Link Clevis (1/2" x 1-11/32") | - | 2 | - | 2 |
| | 80 AX 141 | Bushing, Clutch & Brake Pedal (1.005"x1.252"x 1-1/4") | - | 1 | - | 1 |
| | 26 MX 21P4 | Rod, Clutch Control | - | 1 | - | 1 |
| | 84 AX 132 | Clevis, Control Rod (1/2"-20) | - | 1 | - | 1 |
| | 1 AX 23 | Bolt, Clutch & Brake Pedal Bracket Mounting (3/8"-24 x 1-3/16") | - | 6 | - | 6 |
| | 1 AX 24 | Bolt, Clutch & Brake Pedal Bracket Mounting (3/8"-24 x 1-1/4") | 4 | - | 4 | - |
| | 20 AX 3 | Nut, Clutch & Brake Pedal Bracket Mounting (3/8"-24) | 4 | 6 | 4 | 6 |
| | 36 AX 3 | Washer, Clutch & Brake Pedal Bracket Mounting (3/8"x5/8"x3/32") | 4 | 6 | 4 | 6 |
| | 7 AX 84 | Screw, Clutch Pedal Collar Set (5/16"- 24 x 5/16") | - | - | 1 | 1 |
| | 35 AX 351 | Collar, Clutch Pedal (1.005"x1-1/2"x5/8") | - | - | 1 | 1 |

0205 PILOT BEARING

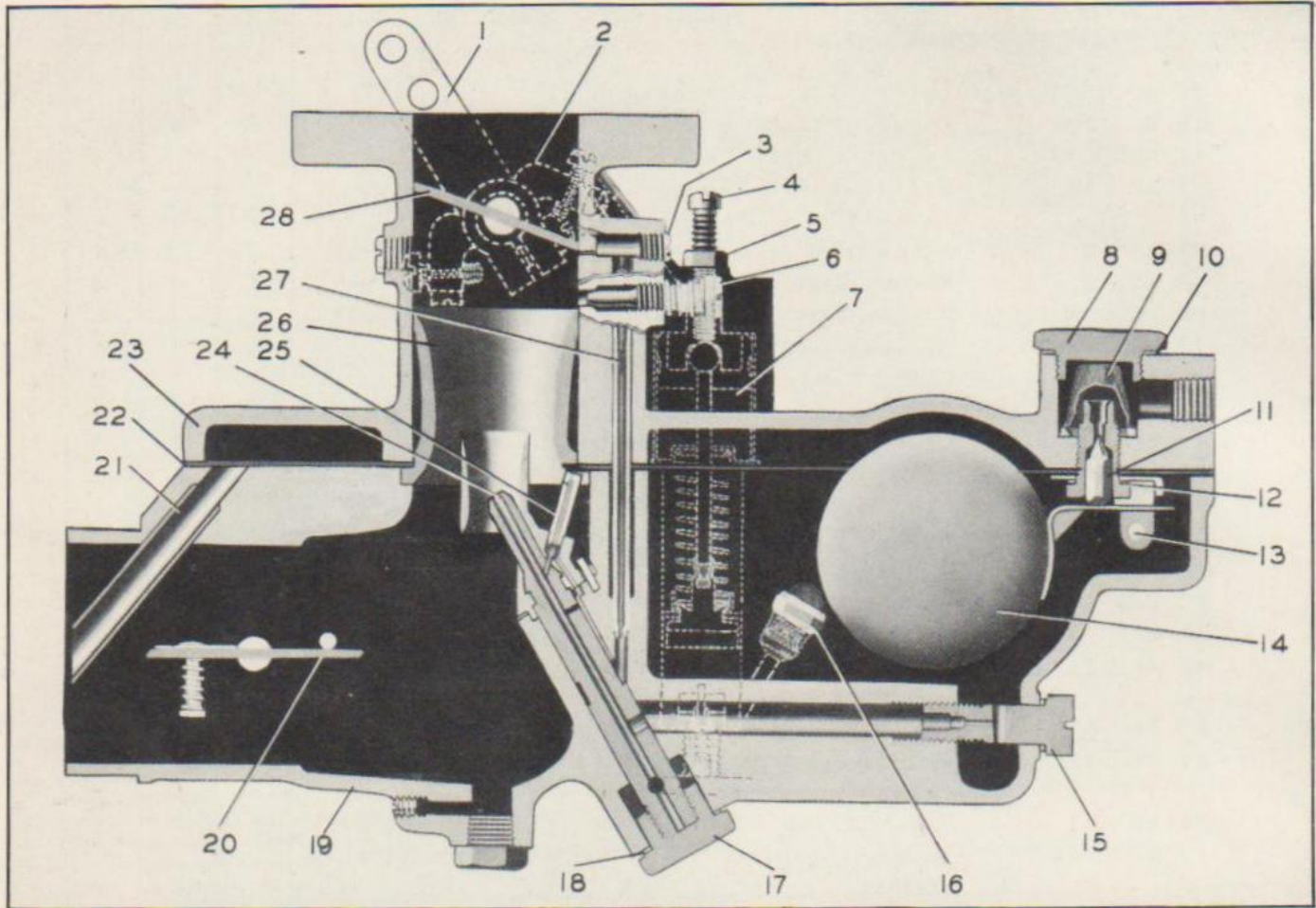
| | | | | | | |
|--|-----------|---------------------------------|--|--|--|---|
| | 46 AX 310 | Bearing, Pilot (SKF6305-ZC-004) | | | | 1 |
|--|-----------|---------------------------------|--|--|--|---|

0207 CLUTCH HOUSING, ETC.

| | | | | | | |
|--|----------|---|--|--|--|---|
| | 8 AB 235 | Cover, Bell Housing Inspection | | | | 1 |
| | 4 AX 34 | Screw, Bell Housing Inspection Cover (3/8"-16 x 5/8") | | | | 2 |
| | 36 AX 3 | Washer, Bell Housing Inspection Cover Screw Lock (3/8") | | | | 2 |

03 - FUEL SYSTEM

0301 CARBURETOR, AIR CLEANER



Refer to page 27 for nomenclature.

234 GB 347 Carburetor (Stromberg SF-3) (For EN310 Engine) 1

COMPONENT PARTS OF CARBURETOR - 234 GB 347

| | | |
|-----------|--|---|
| P-24573 | Body Assembly, Main | 1 |
| P-16844 | Gasket, Main Body | 1 |
| P-16849 | Screw, 3/8"-16 Main Body Attaching | 2 |
| P-5364 | Lockwasher, Main Body Attaching Screw | 2 |
| P-16848 | Tube, Vent | 1 |
| P-26 | Plug, 1/8" Pipe - Drain Boss | 1 |
| P-14745 | Screw, Vent Tube #10-24 Set | 1 |
| P-16863 | Jet & Small Venturi Assembly, Main Discharge #28 | 1 |
| P-16850 | Pin, Main Discharge Jet Locating | 1 |
| P-21372 | Gasket, Main Discharge Jet | 1 |
| P-14334 | Bleeder, H.S. #65 | 1 |
| P-16762 | Nut, Main Discharge Jet | 1 |
| P-5636 | Gasket, Main Discharge Jet Nut | 1 |
| P-6855 | Gasket, Metering Jet | 1 |
| P-15384 | Jet, Metering .060" | 1 |
| 320 GC 11 | Piston Assembly, Pump | 1 |
| P-19911 | Screw, Vacuum Pump Adjusting | 1 |
| P-14618 | Nut, Pump Adjusting | 1 |

Group
No.

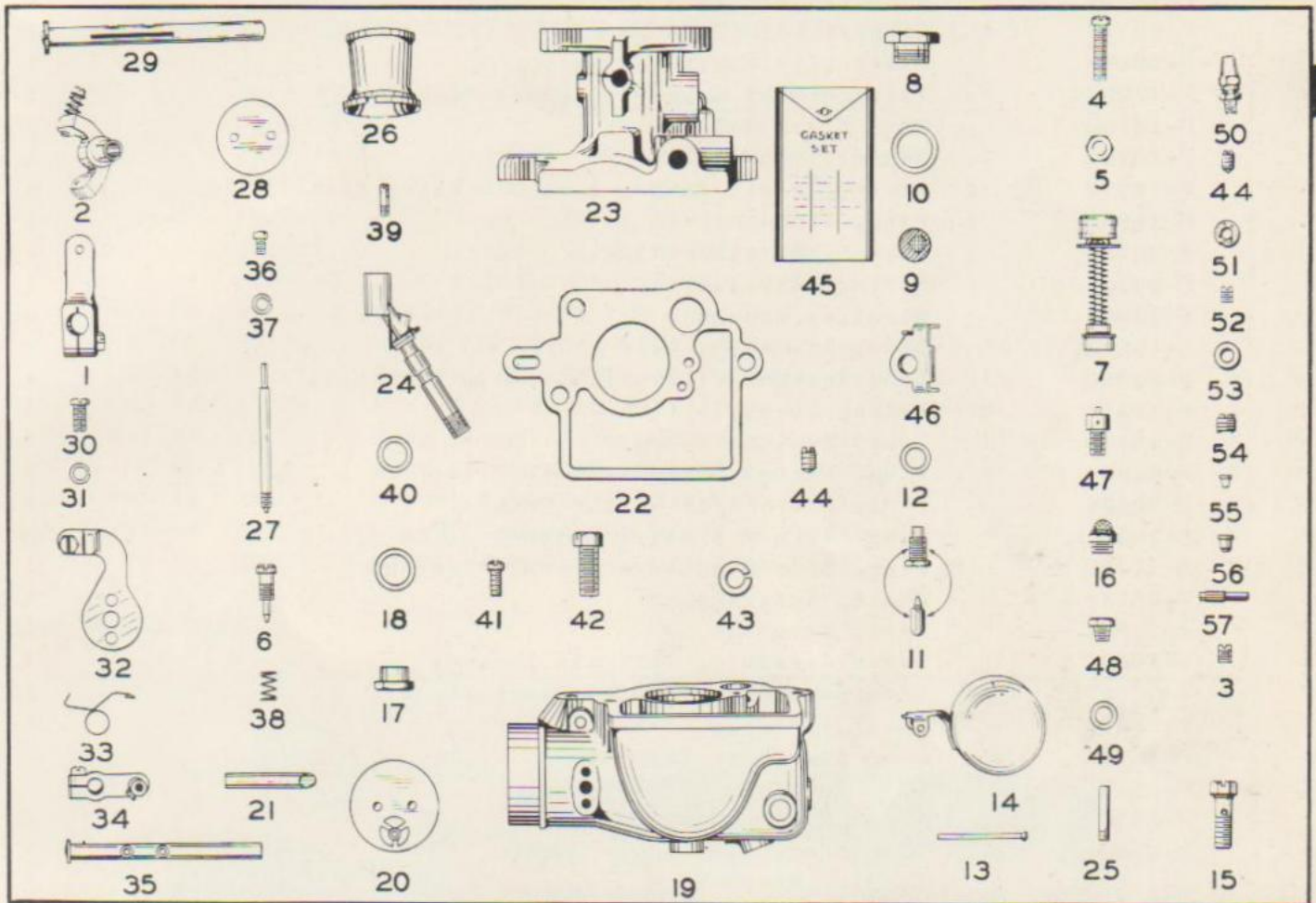
Part No.

Description

No.
Req'd

0301 CARBURETOR, AIR CLEANER (Cont'd)

COMPONENT PARTS OF CARBURETOR - 234 GB 347 (Cont'd)



| Ref. No. | PART NAME | Govt. Group | Ref. No. | PART NAME | Govt. Group | Ref. No. | PART NAME | Govt. Group |
|----------|---------------------------------|-------------|----------|--|-------------|----------|--------------------------------------|-------------|
| 1. | Lever Assembly—Throttle | 0301 | 19. | Body—Main | 0301 | 39. | Pin—Main Jet Location | 0301 |
| 2. | Stop Assembly—Throttle | 0301 | 20. | Valve—Choke | 0301 | 40. | Gasket—Main Discharge Jet | 0301 |
| 3. | Plug—Idle Discharge Hole | 0301 | 21. | Tube—Vent | 0301 | 41. | Screw—Choke Valve Attaching | 0301 |
| 4. | Screw—Vacuum Pump Adjusting | 0301 | 22. | Gasket—Main Body | 0301 | 42. | Screw—Main Body Attaching | 0301 |
| 5. | Nut—Vacuum Pump Adjusting Screw | 0301 | 23. | Body—Throttle | 0301 | 43. | Lockwasher—Main Body Attaching Screw | 0301 |
| 6. | Valve—Idle Needle | 0301 | 24. | Jet #28—Main Discharge | 0301 | 44. | Screw—Vent Tube Set | 0301 |
| 7. | Pistol Assembly—Pump | 0301 | 25. | Bleeder #70—High Speed | 0301 | 45. | Gasket Set | 0301 |
| 8. | Plug—Strainer | 0301 | 26. | Venturi | 0301 | 46. | Hanger—Float | 0301 |
| 9. | Strainer—Gasoline | 0301 | 27. | Tube—Idle | 0301 | 47. | Jet—Pump By-Pass | 0301 |
| 10. | Gasket—Strainer Plug | 0301 | 28. | Valve—Throttle | 0301 | 48. | Plug—Gas Inlet | 0301 |
| 11. | Valve & Seat—Float Needle | 0301 | 29. | Stem—Throttle | 0301 | 49. | Gasket—Metering Jet | 0301 |
| 12. | Gasket—Float Needle Valve Seat | 0301 | 30. | Screw—Tube Holder Attaching | 0301 | 50. | Union—Gas | 0301 |
| 13. | Pin—Float Fulcrum | 0301 | 31. | Lockwasher—Tube Holder Attaching Screw | 0301 | 51. | Washer—Idler Tube Cork | 0301 |
| 14. | Float | 0301 | 32. | Holder—Tube | 0301 | 52. | Plug—Vacuum Suction Channel | 0301 |
| 15. | Jet—Metering | 0301 | 33. | Spring—Choke Valve Retainer | 0301 | 53. | Washer—Idle Tube | 0301 |
| 16. | Valve—Pump Inlet Check | 0301 | 34. | Lever—Choke | 0301 | 54. | Plug—Governor Connection | 0301 |
| 17. | Nut—Main Discharge Jet | 0301 | 35. | Stem—Choke | 0301 | 55. | Plug—Drive | 0301 |
| 18. | Gasket—Main Discharge Jet Nut | 0301 | 36. | Screw—Throttle Valve Attaching | 0301 | 56. | Plug—Idle Discharge Drilling Hole | 0301 |
| | | | 37. | Lockwasher—Valve Screw | 0301 | 57. | Pin—Choke Valve Stop | 0301 |
| | | | 38. | Spring—Idle Needle Valve | 0301 | | | |

| | | |
|----------|-----------------------------|---|
| P-16786 | Jet Assembly, By-pass .034" | 1 |
| P-23135 | Valve Assembly, Pump Check | 1 |
| P-15396 | Valve, Idle Needle | 1 |
| P-12530 | Spring, Idle Needle Valve | 1 |
| 2 BG 197 | Tube, Idle | 1 |

| Group No. | Part No. | Description | No. Req'd |
|-----------|----------|-------------|-----------|
|-----------|----------|-------------|-----------|

0301 CARBURETOR, AIR CLEANER (Cont'd)

COMPONENT PARTS OF CARBURETOR - 234 GB 347 (Cont'd)

| | | |
|------------|---|---|
| P-14160 | Washer, Idle Tube Cork | 1 |
| P-22713 | Washer, Idle Tube | 1 |
| P-22470 | Float with Lever Assembly | 1 |
| P-17282 | Valve & Seat Assembly, Float Needle | 1 |
| P-16760 | Pin, Float Fulcrum | 1 |
| P-16761 | Hanger, Float | 1 |
| P-11572 | Gasket, Float Hanger & Needle Valve Seat | 2 |
| P-19995 | Plug, Strainer | 1 |
| P-20235 | Gasket, Strainer Plug | 1 |
| P-23143 | Spring, Strainer | 1 |
| P-12958 | Strainer Assembly | 1 |
| P-15278 | Union Assembly, Gas | 1 |
| P-24867 | Body Assembly, Throttle #58-66 Idle Hole | 1 |
| P-12251 | Valve, Throttle | 1 |
| P-16845 | Tube, Venturi 1-5/16" | 1 |
| P-3292 | Plug, Vacuum Governor Connection | 1 |
| P-20454 | Plug, Drive 1/4" - Idle Channel | 1 |
| P-7098 | Plug, Vacuum Suction Channel #8-32 | 3 |
| P-12780 | Plug, Idle Discharge Channel 1/4"-20 | 1 |
| P-23137 | Plate, Code Number | 1 |
| P-17801 | Stem, Throttle | 1 |
| P-19892 | Lever Assembly, Throttle Loose | 1 |
| P-17287 | Stop Assembly, Throttle Loose Lever | 1 |
| P-13498-K1 | Lever Assembly, Throttle | 1 |
| P-16795 | Stop Assembly, Throttle | 1 |
| P-9745 | Pin, Throttle Stop Taper | 1 |
| P-21756 | Stem, Choke | 1 |
| P-3881 | Pin, Choke Stem | 1 |
| P-19901 | Collar, Choke Stem | 1 |
| P-16161 | Screw, Choke Stem Set #8-32 | 1 |
| P-21758 | Valve Assembly, Choke | 1 |
| P-19977 | Holder Assembly, Choke Tube | 1 |
| P-16799 | Lever Assembly, Choke | 1 |
| P-16766 | Screw, Choke Tube Holder Attaching 1/4"-20 | 2 |
| P-3157 | Lockwasher, Choke Tube Holder Attaching Screw | 2 |
| P-16764 | Pin, Choke Valve Stop | 1 |
| P-16763 | Spring, Choke Valve Return | 1 |
| P-15458 | Plug, Channel #10 (P-24448 & P-21673) | 3 |
| P-15259 | Screw, Valve #6-32 (P-12251 & P-21758) | 4 |
| P-1693 | Lockwasher, Valve Screw | 4 |
| 203 SB 16 | Kit, Carburetor Repair (Stromberg #RK-546) | 1 |

COMPONENT PARTS OF CARBURETOR REPAIR KIT - 203 SB 16

| | | |
|-----------|----------------------------|---|
| 127 SB 13 | Gasket Set | 1 |
| P-14334 | Bleeder, H.S. #65 | 1 |
| 320 GC 11 | Piston Assembly, Pump | 1 |
| P-16786 | Jet, By-Pass .034 | 1 |
| P-23135 | Valve, Check | 1 |
| P-15396 | Valve, Idler Needle | 1 |
| 2 BG 197 | Tube, Idle | 1 |
| P-12958 | Strainer | 1 |
| P-17282 | Valve & Seat, Float Needle | 1 |

| Group No. | Part No. | Description | No. Req'd |
|-----------|----------|-------------|-----------|
|-----------|----------|-------------|-----------|

0301 CARBURETOR, AIR CLEANER (Cont'd)

COMPONENT PARTS OF CARBURETOR REPAIR KIT - 203 SB 16 (Cont'd)

| | | | |
|-----------|--|--|---|
| P-20454 | | Plug | 1 |
| P-15458 | | Plug | 2 |
| P-15384 | | Jet, .060 Metering | 1 |
| 127 SB 13 | | Gasket Set, Carburetor Stromberg #J-4417-G-1 | 1 |

COMPONENT PARTS OF CARBURETOR GASKET SET - 127 SB 13

| | | | |
|-----------|--|--|---|
| P-16844 | | Gasket, Main Body | 1 |
| P-5636 | | Gasket, Main Discharge Jet Nut | 1 |
| P-6855 | | Gasket, Metering Jet | 1 |
| P-20235 | | Gasket, Strainer Plug | 1 |
| P-11572 | | Gasket, Float Hanger & Needle Valve Seat | 2 |
| P-21372 | | Gasket, Main Discharge Jet | 1 |
| P-14160 | | Washer, Idle Tube Cork | 1 |
| 539 GB 13 | | Gasket, Carburetor | 1 |

* * *

| | | | |
|------------|--|--|---|
| 539 GB 13 | | Gasket, Carburetor | 1 |
| 18 AX 143 | | Stud, Carburetor Flange (3/8"-24x3/8"-16x3-1/4") | 2 |
| 36 AX 3 | | Washer, Carburetor Flange Stud (3/8") | 2 |
| 20 AX 3 | | Nut, Carburetor Flange Stud (3/8"-24) | 2 |
| 234 GB 345 | | Carburetor (Stromberg SF-4) (For EN-354 Engine) | 1 |

COMPONENT PARTS OF CARBURETOR - 234 GB 345

| | | | |
|-----------|--|---------------------------------------|---|
| P-18811 | | Valve & Seat Assembly, Float Needle | 1 |
| P-16786 | | Jet, Pump By-Pass (.044) | 1 |
| 320 GC 13 | | Piston Assembly, Pump | 1 |
| P-23135 | | Valve, Pump Inlet Check | 1 |
| P-15396 | | Valve, Idle Needle | 1 |
| P-12530 | | Spring, Idle Needle Valve | 1 |
| P-15384 | | Jet, Metering (.066) | 1 |
| P-17250 | | Jet, Main Discharge #28 | 1 |
| 382066 | | Float | 1 |
| P-14364 | | Gasket, Float Needle Valve Seat | 2 |
| P-17496 | | Gasket, Main Body | 1 |
| P-22702 | | Tube, Idle | 1 |
| P-16762 | | Nut, Main Discharge Jet | 1 |
| P-5636 | | Gasket, Main Discharge Jet Nut | 1 |
| P-5364 | | Lockwasher, Main Body Attaching Screw | 2 |
| P-18772 | | Ball, Lead | 1 |
| P-16760 | | Pin, Float Fulcrum | 1 |
| P-16849 | | Screw, Main Body Attaching | 2 |
| P-20216 | | Lever, Throttle | 1 |
| P-15817 | | Screw, Throttle Lever Clamp | 1 |
| P-16064 | | Valve, Throttle | 1 |
| P-285 | | Screw, Valve Attaching #6-32 | 4 |
| P-17515 | | Valve, Choke | 1 |
| P-17517 | | Stem, Choke | 1 |
| P-24904 | | Body, Main | 1 |
| P-24903 | | Body, Throttle | 1 |
| P-15278 | | Union | 1 |
| P-7098 | | Plug, Vacuum Suction Channel #8-32 | 3 |
| P-15458 | | Plug, Drive | 1 |
| P-12780 | | Plug, Idle Discharge Hole 1/4"-20 | 1 |

| Group No. | Part No. | Description | No. Req'd |
|-----------|---|--|-----------|
| 0301 | CARBURETOR, AIR CLEANER (Cont'd) | | |
| | COMPONENT PARTS OF CARBURETOR - 234 GB 345 (Cont'd) | | |
| | P-16764 | Pin, Choke Valve Stop | 1 |
| | P-19911 | Screw, Vacuum Pump Adjusting | 1 |
| | P-14618 | Nut, Vacuum Pump Adjusting Screw | 1 |
| | P-6855 | Gasket, Metering Jet | 1 |
| | P-19995 | Plug, Strainer | 1 |
| | P-20235 | Gasket, Strainer Plug | 1 |
| | P-12958 | Strainer, Gasoline | 1 |
| | P-17500 | Hanger, Float | 1 |
| | P-17498 | Tube, Venturi (1-3/8") | 1 |
| | P-16850 | Pin, Main Discharge Jet Locating | 1 |
| | P-21372 | Gasket, Main Discharge Jet | 1 |
| | P-1693 | Lockwasher, Valve Screw | 4 |
| | P-17499 | Tube, Vent | 1 |
| | P-23415 | Stem, Throttle | 1 |
| | P-16795 | Stop, Throttle | 1 |
| | P-18552 | Screw, Idle Adjusting | 1 |
| | P-15831 | Spring, Idle Adjusting Screw | 1 |
| | P-16766 | Screw, Tube Holder Attaching | 2 |
| | P-3157 | Lockwasher, Tube Holder Attaching Screw | 2 |
| | P-19977 | Holder, Tube | 1 |
| | P-16807 | Screw, Holder Clamp | 1 |
| | P-16763 | Spring, Choke Valve Retainer | 1 |
| | P-16320 | Bleeder, High Speed (#70) | 1 |
| | P-14745 | Screw, Vent Tube Set | 1 |
| | P-18857 | Lever, Choke | 1 |
| | P-13046 | Screw, Wire Connection | 1 |
| | P-18927 | Screw, Lever Clamp | 1 |
| | P-14160 | Washer, Idle Tube Cork | 1 |
| | P-22713 | Washer, Idle Tube | 1 |
| | P-3292 | Plug, Governor Connection | 1 |
| | P-15459 | Plug, Idle Discharge Drilling Hole | 1 |
| | P-23143 | Spring, Strainer | 1 |
| | P-19892 | Lever, Throttle Loose | 1 |
| | P-17287 | Stop, Loose Lever | 1 |
| | P-18769 | Screw, Stop Clamp | 1 |
| | P-18299 | Nut, Stop Clamp Screw | 1 |
| | 203 SB 17 | Kit, Carburetor Repair (Stromberg #RK-541) | 1 |

COMPONENT PARTS OF CARBURETOR REPAIR KIT - 203 SB 17

| | | |
|-----------|----------------------------|---|
| 127 SB 14 | Gasket Set | 1 |
| P-16320 | Bleeder, #70 High Speed | 1 |
| P-23126 | Piston Assembly, Pump | 1 |
| P-16786 | Jet, By-Pass .044" | 1 |
| P-23135 | Valve, Check | 1 |
| P-15396 | Valve, Idle Needle | 1 |
| P-22702 | Tube, Idle | 1 |
| P-18811 | Valve & Seat, Float Needle | 1 |
| P-12958 | Strainer | 1 |
| P-15458 | Plug | 2 |
| P-15459 | Plug | 1 |
| P-15384 | Jet, Metering .066" | 1 |

| Group No. | Part No. | Description | No. Req'd |
|-----------|----------|-------------|-----------|
|-----------|----------|-------------|-----------|

0301 CARBURETOR, AIR CLEANER (Cont'd)

| | | |
|-----------|---------------------|---|
| 127 SB 14 | Gasket Set Complete | 1 |
|-----------|---------------------|---|

COMPONENT PARTS OF CARBURETOR GASKET SET - 127 SB 14

| | | |
|-----------|---------------------------------|---|
| P-17946 | Gasket, Main Body | 1 |
| P-5636 | Gasket, Main Discharge Jet Nut | 1 |
| P-6855 | Gasket, Metering Jet | 1 |
| P-20235 | Gasket, Strainer Plug | 1 |
| P-14364 | Gasket, Float Needle Valve Seat | 2 |
| P-21372 | Gasket, Main Discharge Jet | 1 |
| P-14160 | Washer, Idle Tube Cork | 1 |
| 539 GB 15 | Gasket, Carburetor | 1 |

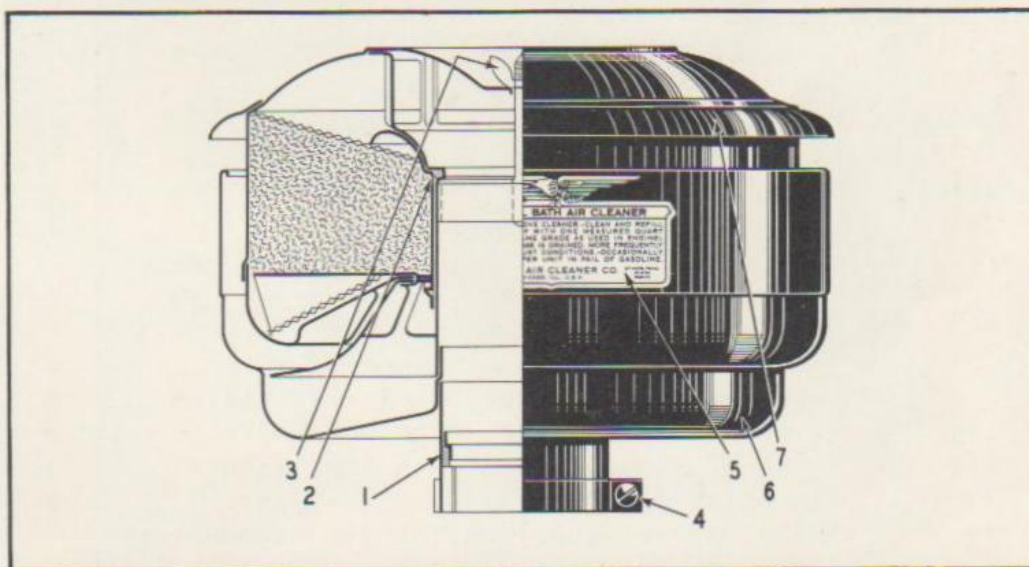
* * *

| | | |
|-----------|--|---|
| 539 GB 15 | Gasket, Carburetor | 1 |
| 18 AX 206 | Stud, Carburetor Flange (7/16"-20x4"x7/16"-14) | 2 |
| 36 AX 4 | Washer, Carburetor Flange Stud (0.453) | 2 |
| 20 AX 4 | Nut, Carburetor Flange Stud (7/16"-20) | 2 |

COLUMN #1 - MODEL EH
 COLUMN #2 - MODEL EHU
 COLUMN #3 - MODEL EHT
 COLUMN #4 - MODEL EHUT

| No. Req'd | | | |
|-----------|--------|--------|--------|
| Col. 1 | Col. 2 | Col. 3 | Col. 4 |
| 1 | 1 | 1 | 1 |

| | |
|----------|---------------------------------|
| 2 MD 229 | Cleaner, Air (United #H95-9110) |
|----------|---------------------------------|



| Ref. No. | PART NAME | Govt. Group | Ref. No. | PART NAME | Govt. Group | Ref. No. | PART NAME | Govt. Group |
|----------|-----------|-------------|----------|----------------|-------------|----------|-----------------------------------|-------------|
| 1. | Felt | 0301 | 4. | Clamp Assembly | 0301 | 6. | Cleaner Assembly—Air (Lower Half) | 0301 |
| 2. | Gasket | 0301 | 5. | Decalomania | 0301 | 7. | Cleaner Assembly—Air (Upper Half) | 0301 |
| 3. | Nut—Wing | 0301 | | | | | | |

COMPONENT PARTS OF AIR CLEANER - 2 MD 229

| | | | | | |
|--------|----------------|---|---|---|---|
| A-7022 | Felt | 1 | 1 | 1 | 1 |
| A-7156 | Gasket | 1 | 1 | 1 | 1 |
| A-7019 | Nut, Wing | 1 | 1 | 1 | 1 |
| A-7274 | Clamp Assembly | 1 | 1 | 1 | 1 |
| A-7317 | Decalomania | 1 | 1 | 1 | 1 |

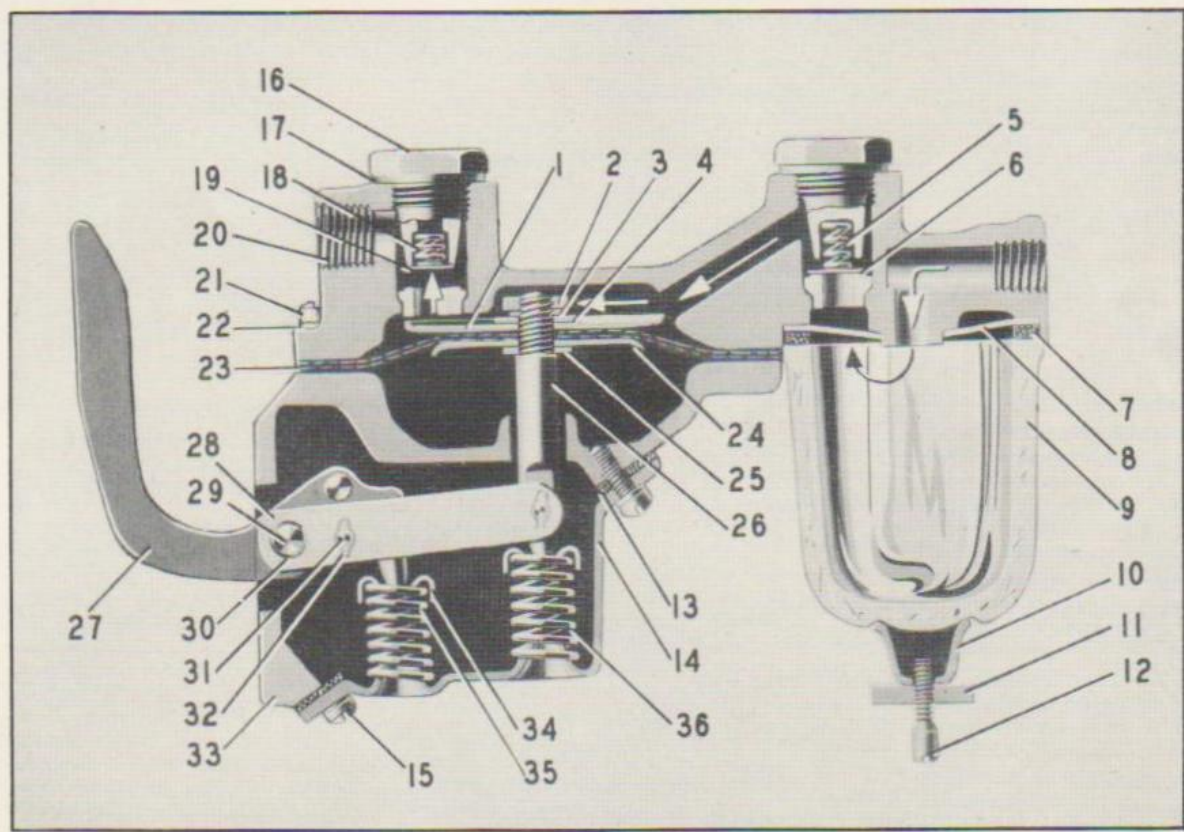
| Group No. | Part No. | Description | No. Req'd | | | |
|--|----------|---|-----------|--------|--------|--------|
| | | | Col. 1 | Col. 2 | Col. 3 | Col. 4 |
| COLUMN #1 - MODEL EH | | | | | | |
| COLUMN #2 - MODEL EHU | | | | | | |
| COLUMN #3 - MODEL EHT | | | | | | |
| COLUMN #4 - MODEL EHUT | | | | | | |
| 0301 CARBURETOR, AIR CLEANER (Cont'd) | | | | | | |
| COMPONENT PARTS OF AIR CLEANER - 2 MD 229 (Cont'd) | | | | | | |
| 9155 | | Lower Half Assembly | 1 | 1 | 1 | 1 |
| 8453 | | Upper Half Assembly | 1 | 1 | 1 | 1 |
| | | * * * | | | | |
| 4 | MDA 14P2 | Pipe & Bracket Assembly, Air Cleaner | - | - | 1 | 1 |
| 6 | MD 126 | Bracket, Air Cleaner Pipe | 1 | 1 | - | - |
| 17 | AX 52 | Stud, Air Cleaner Pipe Bracket (5/16"-18 x 15/16") | 2 | 2 | - | - |
| 1 | AB 11108 | Nut, Air Cleaner Pipe Bracket Stud | 2 | 2 | - | - |
| 36 | AX 22 | Lockwasher, Air Cleaner Pipe Bracket Stud Nut (5/16") | 2 | 2 | - | - |
| 37 | AX 105 | Washer, Air Cleaner Pipe Bracket Stud Nut (5/16") | 2 | 2 | - | - |
| 1 | AX 33 | Bolt, Air Cleaner Pipe Bracket (3/8"-24 x 7/8") | - | - | 3 | 3 |
| 36 | AX 3 | Lockwasher, Air Cleaner Pipe Bracket Bolt (3/8") | - | - | 3 | 3 |
| 20 | AX 3 | Nut, Air Cleaner Pipe Bracket Bolt (3/8"-24) | - | - | 3 | 3 |
| 160 | AX 107 | Hose, Air Cleaner Pipe Connecting (2-1/4" x 3-1/2") | - | - | 1 | 1 |
| 83 | AX 17 | Clamp, Air Cleaner Pipe Connecting Hose (3-1/4") | - | - | 2 | 2 |
| 5 | MD 39P1 | Pipe, Air Cleaner | - | - | - | 1 |
| 5 | MD 39P2 | Pipe, Air Cleaner | - | - | 1 | - |
| 5 | MD 253P1 | Pipe, Air Cleaner (With 310 Engine) | 1 | - | - | - |
| 5 | MD 253P2 | Pipe, Air Cleaner (With 354 Engine) | 1 | 1 | - | - |
| 1 | AX 73 | Bolt, Air Cleaner Pipe Bracket (1/4"-28 x 1/2") | 2 | 2 | - | - |
| 36 | AX 1 | Lockwasher, Air Cleaner Pipe Bracket Bolt (1/4") | 2 | 2 | - | - |
| 20 | AX 1 | Nut, Air Cleaner Pipe Bracket Bolt (1/4"-28) | 2 | 2 | - | - |
| 27 | MD 118 | Adapter, Air Cleaner (With 310 Engine) | 1 | - | 1 | - |
| 27 | MD 119 | Adapter, Air Cleaner (With 354 Engine) | 1 | 1 | - | 1 |
| 83 | AX 17 | Clamp, Air Cleaner Adapter (3-1/4") | 1 | 1 | 1 | 1 |
| 83 | AX 4 | Clamp, Air Cleaner Adapter (At Carburetor) (With 354 Engine) (3-3/8") | 1 | 1 | - | 1 |
| 83 | AX 7 | Clamp, Air Cleaner Adapter (At Carburetor) (With 310 Engine) (2-7/8") | 1 | - | 1 | - |
| 25 | MDA 14 | Shroud & Seal Assembly, Air Cleaner | - | - | 1 | 1 |
| 6 | AX 265 | Screw, Air Cleaner Shroud (1/4"-20x3/8") | - | - | 4 | 4 |
| 155 | AX 7 | Nut, Air Cleaner Shroud Speed (1/4"-20) | - | - | 4 | 4 |
| 274 | AX 26 | Anti-squeak, Air Cleaner Shroud (26" long) | - | - | 1 | 1 |
| 23 | MD 15 | Seal, Air Cleaner Shroud | - | - | 1 | 1 |
| 24 | MD 11 | Retainer, Air Cleaner Shroud Seal | - | - | 1 | 1 |
| 27 | AX 8 | Rivet, Air Cleaner Shroud Seal Retainer (3/8"x1/2") | - | - | 8 | 8 |
| 41 | MD 21 | Grille, Carburetor Air Intake | - | - | 1 | 1 |
| 8 | AX 161 | Screw, Carburetor Air Intake Grille (#6-32 x 3/8") | - | - | 4 | 4 |

| Group No. | Part No. | Description | No. Req'd | | | |
|------------------------|----------|-------------|-----------|--------|--------|--------|
| | | | Col. 1 | Col. 2 | Col. 3 | Col. 4 |
| COLUMN #1 - MODEL EH | | | | | | |
| COLUMN #2 - MODEL EHU | | | | | | |
| COLUMN #3 - MODEL EHT | | | | | | |
| COLUMN #4 - MODEL EHUT | | | | | | |

0301 CARBURETOR, AIR CLEANER (Cont'd)

| | | | | | |
|-----------|--|---|---|---|---|
| 36 AX 20 | Lockwasher, Carburetor Air Intake Grille Screw (0.143) | - | - | 4 | 4 |
| 37 AX 175 | Washer, Carburetor Air Intake Grille Screw (3/16") | - | - | 8 | 8 |
| 53 AX 18 | Nut, Carburetor Air Intake Grille Screw (#6-32) | - | - | 4 | 4 |

0302 FUEL PUMP, FUEL PUMP TUBE, HOSE, FUEL FILTER, ETC.



| Ref. No. | PART NAME | Govt. Group | Ref. No. | PART NAME | Govt. Group | Ref. No. | PART NAME | Govt. Group |
|----------|----------------------------|-------------|----------|---------------------------------|-------------|----------|-------------------------------|-------------|
| 1. | Protector—Upper Diaphragm | 0302 | 14. | Cover—Bottom | 0302 | 25. | Gasket—Pull Rod | 0302 |
| 2. | Nut—Pull Rod | 0302 | 15. | Screw—Bottom Cover | 0302 | 26. | Rod—Pull | 0302 |
| 3. | Washer—Pull Rod Nut Lock | 0302 | 16. | Plug—Valve | 0302 | 27. | Arm—Rocker | 0302 |
| 4. | Washer—Diaphragm Alignment | 0302 | 17. | Gasket—Valve Plug | 0302 | 28. | Link | 0302 |
| 5. | Spring—Valve | 0302 | 18. | Spring—Valve | 0302 | 29. | Pin—Rocker Arm | 0302 |
| 6. | Valve | 0302 | 19. | Valve | 0302 | 30. | Ring—Rocker Arm Pin Retaining | 0302 |
| 7. | Gasket | 0302 | 20. | Cover & Valve Seat Assembly—Top | 0302 | 31. | Pin—Link | 0302 |
| 8. | Screen | 0302 | 21. | Screw—Top Cover | 0302 | 32. | Clip—Link Pin | 0302 |
| 9. | Bowl—Glass | 0302 | 22. | Washer—Top Cover Screw Lock | 0302 | 33. | Body | 0302 |
| 10. | Seat—Bowl | 0302 | 23. | Diaphragm | 0302 | 34. | Cap—Spring | 0302 |
| 11. | Nut—Bail Thumb | 0302 | 24. | Protector—Lower Diaphragm | 0302 | 35. | Spring—Rocker Arm | 0302 |
| 12. | Bail & Screw | 0302 | | | | 36. | Spring—Diaphragm | 0302 |
| 13. | Gasket—Bottom Cover | 0302 | | | | | | |

| Group No. | Part No. | Description | No. Req'd |
|-----------|-----------|---|-----------|
| 0502 | | FUEL PUMP, FUEL PUMP TUBE, HOSE, FUEL FILTER, ETC. (Cont'd) | |
| | 2 CU 34A | Pump, Fuel (A.C. #1523636) | 1 |
| | 2 CU 11 | Insulator, Fuel Pump | 1 |
| | 568 GB 11 | Gasket, Fuel Pump | 2 |
| | 4 AX 72 | Screw, Fuel Pump & Cylinder (5/16"-18x7/8") | 2 |
| | 37 AX 1 | Washer, Fuel Pump & Cylinder Screw (21/64") | 2 |
| | 108 AX 16 | Tube, Fuel Pump to Carburetor (5/16" x 16") | 1 |
| | 115 AX 14 | Loom, Fuel Pump to Carburetor Tube (7/16"x14") | 1 |
| | 63 AX 148 | Elbow, Fuel Pump to Carburetor Tube (1/8" Thrd) | 1 |
| | 63 AX 136 | Connector, Fuel Pump to Carburetor Tube (1/4" Thrd) | 1 |

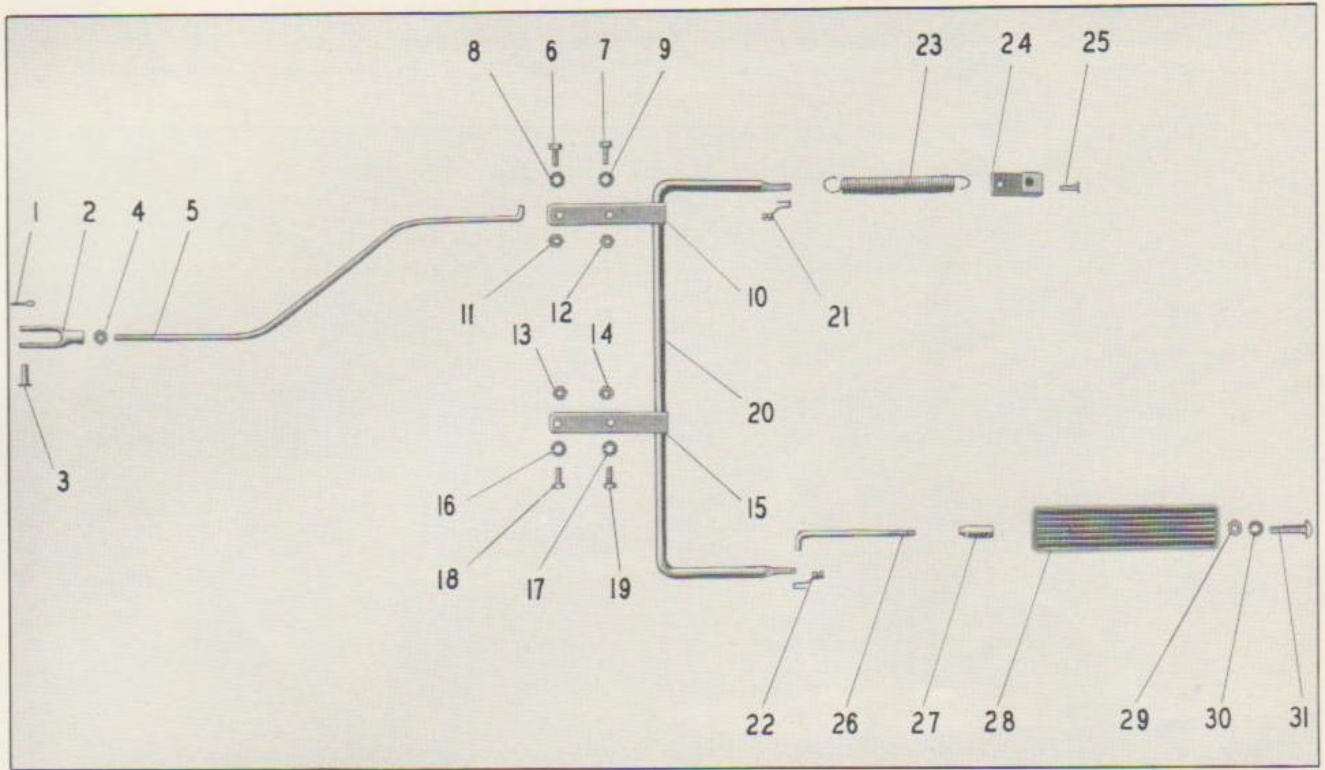
COMPONENT PARTS OF FUEL PUMP - 2 CU 34A

| | | |
|-----------|--|----|
| 855281 | Plug, Valve | 1 |
| 855282 | Gasket, Valve Plug | 2 |
| 855279 | Valve | 2 |
| 855918 | Dome, Air | 1 |
| 856270 | Spring, Valve | 2 |
| 855739 | Cover & Valve Seat Assembly, Top | 1 |
| 854003 | Gasket, Bowl | 1 |
| 854004 | Bowl, Glass | 1 |
| 854009 | Screen | 1 |
| 854005 | Seat, Bowl | 1 |
| 854016 | Bail & Screw | 1 |
| 855763 | Nut, Bail Thumb | 1 |
| 1521187 | Spring, Diaphragm | 1 |
| 855573 | Cover, Bottom | 1 |
| 855585 | Gasket, Bottom Cover | 1 |
| 855253 | Spring, Rocker Arm | 1 |
| 855532 | Cap, Spring | 2 |
| 855016 | Pin, Link | 2 |
| 855017 | Clip, Link Pin | 4 |
| 1521001 | Pin, Rocker Arm | 1 |
| 855574 | Link | 2 |
| 1523355 | Body | 1 |
| 1523610 | Arm, Rocker | 1 |
| 855389 | Diaphragm (5 Pieces) | 1 |
| 855274 | Protector, Upper Diaphragm | 1 |
| 855250 | Rod, Pull | 1 |
| 1521720 | Protector, Lower Diaphragm | 1 |
| 848429 | Ring, Rocker Arm Pin Retainer | 1 |
| 855213 | Nut, Pull Rod | 1 |
| 855390 | Lockwasher, Pull Rod Nut | 1 |
| 855029 | Washer, Diaphragm Alignment | 1 |
| 855012 | Gasket, Pull Rod | 1 |
| 855493 | Screw, Top Cover | 10 |
| 855064 | Lockwasher, Top Cover Screw | 10 |
| 132108 | Screw, Bottom Cover | 3 |
| 2 CF 183 | Breather, Fuel Pump (A.C. #1521736) | 1 |
| 201 SB 13 | Kit, Diaphragm (A.C. #752) consisting of the following parts | 1 |
| 855389 | Diaphragm | 1 |
| 855585 | Gasket, Bottom Cover | 1 |
| 854003 | Gasket, Bowl | 1 |
| 856270 | Spring, Valve | 2 |
| 855279 | Valve | 2 |
| 568 GB 11 | Gasket, Mounting | 1 |

| | | | | |
|-----------|----------|-------------|-------------------------------|--|
| Group No. | Part No. | Description | No. Req'd. Col. 1 Col. 2 | |
|-----------|----------|-------------|-------------------------------|--|

COLUMN #1 - MODELS EH AND EHT
 COLUMN #2 - MODELS EHU AND EHUT

0303 ACCELERATOR, THROTTLE & CHOKE



| Ref. No. | PART NAME | Govt. Group | Ref. No. | PART NAME | Govt. Group | Ref. No. | PART NAME | Govt. Group |
|----------|--|-------------|----------|--|-------------|----------|---|-------------|
| 1. | Pin—Accelerator Rod Clevis Cotter | 0303 | 11. | Nut—Accelerator Shaft Bracket Mounting Bolt | 0303 | 20. | Shaft Assembly—Accelerator | 0303 |
| 2. | Clevis—Accelerator Rod | 0303 | 12. | Nut—Accelerator Shaft Bracket Mounting Bolt | 0303 | 21. | Retainer—Accelerator Rod | 0303 |
| 3. | Pin—Accelerator Rod Clevis | 0303 | 13. | Nut—Accelerator Shaft Bracket Mounting Bolt | 0303 | 22. | Retainer—Accelerator Rod | 0303 |
| 4. | Nut—Accelerator Rod Clevis Adjusting | 0303 | 14. | Nut—Accelerator Shaft Bracket Mounting Bolt | 0303 | 23. | Spring—Accelerator Retractor | 0303 |
| 5. | Rod—Accelerator (To Carburetor) | 0303 | 15. | Bracket—Accelerator Shaft | 0303 | 24. | Bracket—Accelerator Retractor Spring Anchor | 0303 |
| 6. | Bolt—Accelerator Shaft Bracket Mounting | 0303 | 16. | Lockwasher—Accelerator Shaft Bracket Mounting Bolt Nut | 0303 | 25. | Screw—Accelerator Retractor Spring Anchor Bracket | 0303 |
| 7. | Bolt—Accelerator Shaft Bracket Mounting | 0303 | 17. | Lockwasher—Accelerator Shaft Bracket Mounting Bolt Nut | 0303 | 26. | Rod—Accelerator Pedal | 0303 |
| 8. | Lockwasher—Accelerator Shaft Bracket Mounting Bolt Nut | 0303 | 18. | Bolt—Accelerator Shaft Bracket Mounting | 0303 | 27. | Ball Joint—Accelerator | 0303 |
| 9. | Lockwasher—Accelerator Shaft Bracket Mounting Bolt Nut | 0303 | 19. | Bolt—Accelerator Shaft Bracket Mounting | 0303 | 28. | Pedal—Accelerator | 0303 |
| 10. | Bracket—Accelerator Shaft | 0303 | | | | 29. | Nut—Accelerator Pedal Bracket Bolt | 0303 |
| | | | | | | 30. | Lockwasher—Accelerator Pedal Bracket Bolt Nut | 0303 |
| | | | | | | 31. | Bolt—Accelerator Pedal Bracket | 0303 |

| | | | | | |
|----|----|-----|---|---|---|
| 30 | QB | 29 | Rod, Accelerator (To Carburetor) | 1 | - |
| 30 | QB | 12 | Rod, Accelerator (To Carburetor) | - | 1 |
| 84 | AX | 26 | Clevis, Accelerator Rod (1/4"-28) | 1 | 1 |
| 1 | AX | 8 | Bolt, Accelerator Shaft Bracket Mounting (1/4"-28 x 5/8") | 4 | - |
| 8 | AX | 160 | Bolt, Accelerator Shaft Bracket Mounting (1/4"-28 x 3/4") | - | 4 |
| 20 | AX | 1 | Nut, Accelerator Shaft Bracket Mounting Bolt (1/4"-28) | 4 | 4 |
| 36 | AX | 1 | Washer, Accelerator Shaft Bracket Mounting Bolt (1/4") | 4 | 4 |
| 29 | AX | 10 | Pin, Accelerator Rod Clevis Cotter (1/16"x1/2") | 1 | 1 |

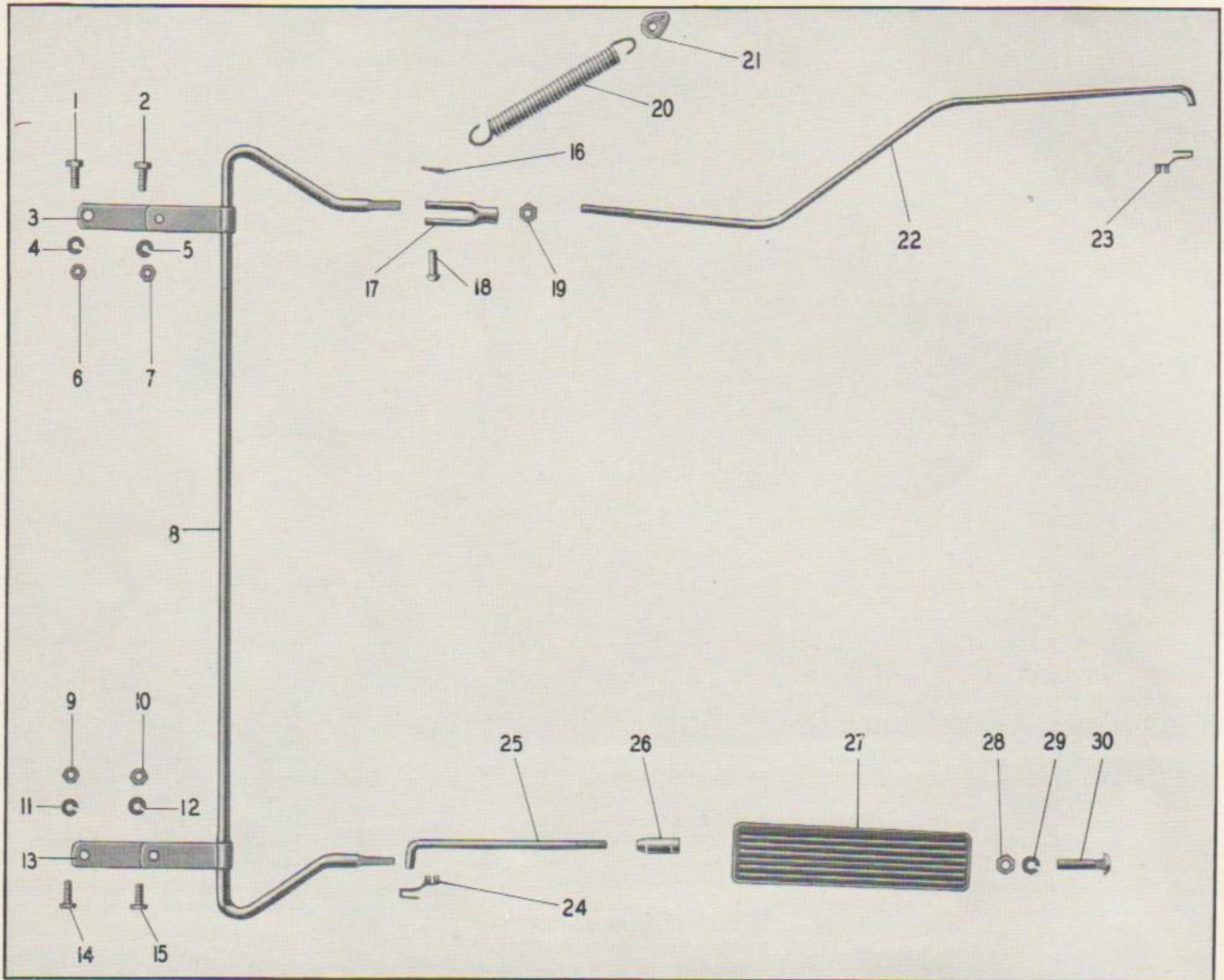
0303

| Group No. | Part No. | Description | No. Req'd. | |
|-----------|----------|-------------|------------|--------|
| | | | Col. 1 | Col. 2 |

COLUMN #1 - MODELS EH AND EHT
 COLUMN #2 - MODELS EHU AND EHUT

0303 ACCELERATOR, THROTTLE & CHOKE (Cont'd)

| | | | | |
|-------|----|---|---|---|
| 33 AX | 18 | Pin, Accelerator Rod Clevis (1/4"x2-5/32") | 1 | 1 |
| 20 AX | 1 | Nut, Accelerator Rod Clevis Adjusting (1/4"-28) | 1 | 1 |
| 11 AX | 1 | Bolt, Accelerator Pedal Bracket (5/16"-18x1-1/2") | 1 | 1 |



| Ref. No. | PART NAME | Govt. Group | Ref. No. | PART NAME | Govt. Group | Ref. No. | PART NAME | Govt. Group |
|----------|--|-------------|----------|--|-------------|----------|---|-------------|
| 1. | Bolt—Accelerator Shaft Bracket Mounting | 0303 | 10. | Nut—Accelerator Shaft Bracket Mounting Bolt | 0303 | 20. | Spring—Accelerator Retractor | 0303 |
| 2. | Bolt—Accelerator Shaft Bracket Mounting | 0303 | 11. | Lockwasher—Accelerator Shaft Bracket Mounting Bolt Nut | 0303 | 21. | Clip—Accelerator Retractor Spring | 0303 |
| 3. | Bracket—Accelerator Shaft | 0303 | 12. | Lockwasher—Accelerator Shaft Bracket Mounting Bolt Nut | 0303 | 22. | Rod—Accelerator (To Carburetor) | 0303 |
| 4. | Lockwasher—Accelerator Shaft Bracket Mounting Bolt Nut | 0303 | 13. | Bracket—Accelerator Shaft | 0303 | 23. | Retainer—Accelerator Rod | 0303 |
| 5. | Lockwasher—Accelerator Shaft Bracket Mounting Bolt Nut | 0303 | 14. | Bolt—Accelerator Shaft Bracket Mounting | 0303 | 24. | Retainer—Accelerator Rod | 0303 |
| 6. | Nut—Accelerator Shaft Bracket Mounting Bolt | 0303 | 15. | Bolt—Accelerator Shaft Bracket Mounting | 0303 | 25. | Rod—Accelerator Pedal | 0303 |
| 7. | Nut—Accelerator Shaft Bracket Mounting Bolt | 0303 | 16. | Pin—Accelerator Rod Clevis Cotter | 0303 | 26. | Ball Joint—Accelerator | 0303 |
| 8. | Shaft Assembly—Accelerator | 0303 | 17. | Clevis—Accelerator Rod | 0303 | 27. | Pedal—Accelerator | 0303 |
| 9. | Nut—Accelerator Shaft Bracket Mounting Bolt | 0303 | 18. | Pin—Accelerator Rod Clevis | 0303 | 28. | Nut—Accelerator Pedal Bracket Bolt | 0303 |
| | | | 19. | Nut—Accelerator Rod Clevis Adjusting | 0303 | 29. | Lockwasher—Accelerator Pedal Bracket Bolt Nut | 0303 |
| | | | | | | 30. | Bolt—Accelerator Pedal Bracket | 0303 |

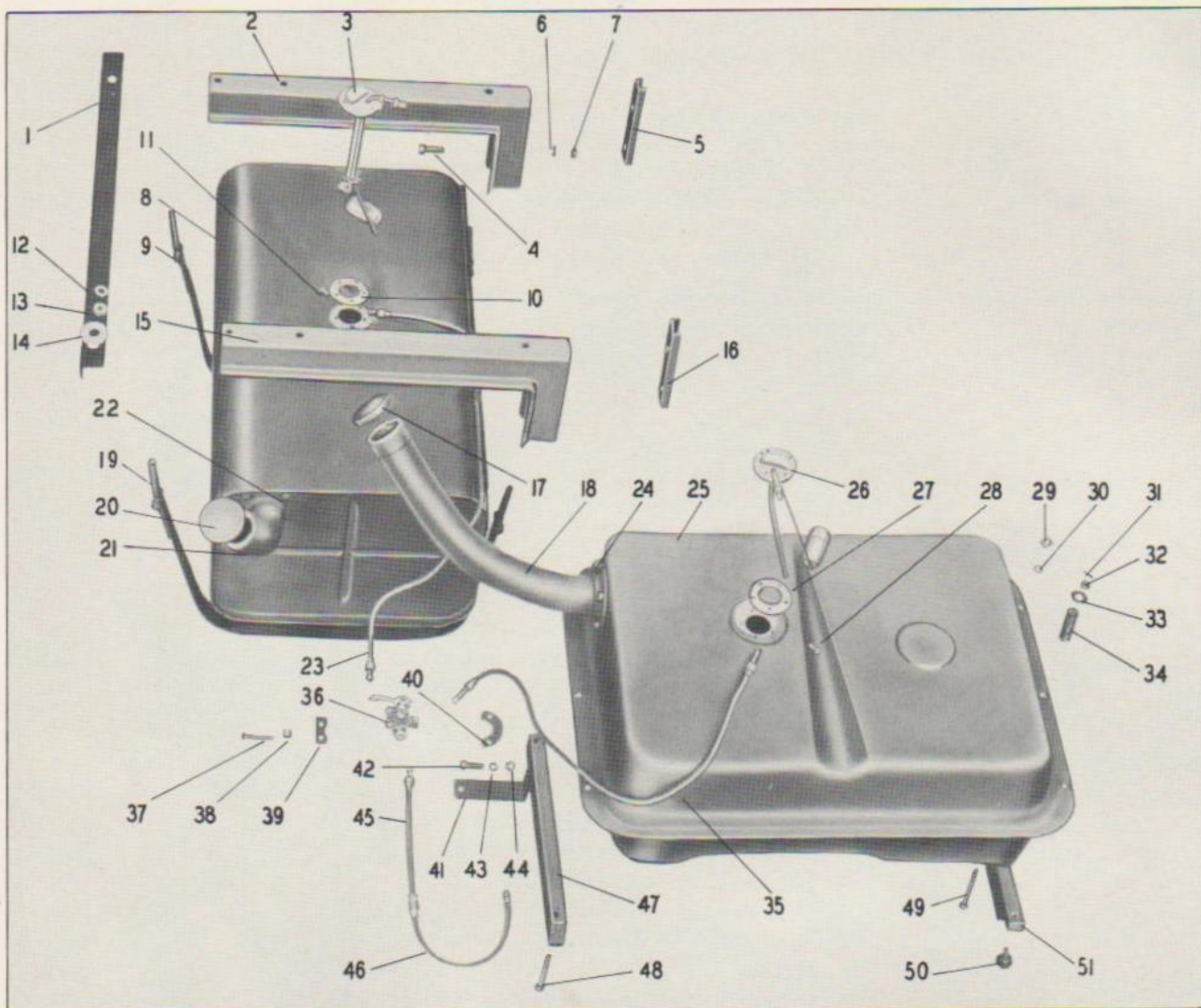
| Group No. | Part No. | Description | No. Req'd. | |
|---|----------|---|------------|--------|
| | | | Col. 1 | Col. 2 |
| COLUMN #1 - MODELS EH AND EHT | | | | |
| COLUMN #2 - MODELS EHU AND EHUT | | | | |
| 0303 ACCELERATOR, THROTTLE & CHOKE (Cont'd) | | | | |
| 22 AX | 1 | Nut, Accelerator Pedal Bracket (5/16"-18) | 1 | 1 |
| 36 AX | 22 | Washer, Accelerator Pedal Bracket (5/16") | 1 | 1 |
| 4 QB | 14 | Pedal, Accelerator | 1 | 1 |
| 62 QB | 11 | Retainer, Accelerator Rod | 1 | 1 |
| 26 QB | 13 | Bracket, Hand Throttle Control | 1 | - |
| 58 AX | 127 | Spring, Accelerator Retractor (6") | 1 | 1 |
| 174 GB | 11 | Bracket, Manual Throttle Control Wire Tube | 1 | - |
| 174 GB | 12 | Bracket, Manual Throttle Control Wire Tube | - | 1 |
| 26 QB | 18 | Bracket, Accelerator Retractor Spring Anchor | 1 | - |
| 13 AX | 46 | Screw, Accelerator Retractor Spring Anchor Bracket (#14 x 5/8") | 1 | - |
| 83 AX | 107 | Clamp, Accelerator Retractor Spring Mounting (5/16") | - | 1 |
| 8 AX | 16 | Screw, Accelerator Retractor Spring Mounting Clamp (#10-24 x 3/4") | - | 1 |
| 53 AX | 6 | Nut, Accelerator Retractor Spring Mounting Clamp Screw (#10-32) | - | 1 |
| 36 AX | 14 | Washer, Accelerator Retractor Spring Mounting Clamp Screw Nut (0.200) | - | 1 |
| 10 AB | 11970 | Hook, Accelerator Pedal Retractor Spring | - | 1 |
| 35 AX | 739 | Clip, Retractor Spring (7/16") | - | 2 |
| 10 EH | 1128 | Stop, Throttle Control Wire | - | 1 |
| 8 AX | 67 | Screw, Throttle Control Wire (#8-32 x 1/4") | - | 1 |
| 7 QBA | 213P1 | Shaft Assembly, Accelerator | 1 | - |
| 7 QBA | 215 | Shaft Assembly, Accelerator | - | 1 |
| 10 QB | 15 | Bracket, Accelerator Shaft | 2 | 2 |
| 98 QB | 13 | Ball Joint, Accelerator | 1 | 1 |
| 29 QB | 122 | Rod, Accelerator Pedal | 1 | - |
| 29 QB | 123 | Rod, Accelerator Pedal | - | 1 |
| 21 QB | 24P3 | Choke Control | 1 | - |
| 21 QB | 24P5 | Choke Control | - | 1 |
| 21 QB | 24P18 | Throttle Control | 1 | - |
| 21 QB | 24P17 | Throttle Control | - | 1 |
| 5 BG | 1176 | Clamp, Choke Control Wire | 1 | 1 |
| 21 AX | 263 | Nut, Choke & Throttle Control Wire (3/8"-24x1/8") | 1 | 1 |
| 36 AX | 60 | Washer, Choke & Throttle Control Wire Nut (.390) | 2 | 2 |
| 87 AX | 1 | Grommet, Throttle Control (Dash) (3/8") | 1 | 1 |

0304 FUEL TANK AND LINES

UNDER SEAT TANK

| | | Chassis EH1S2637 to 2831 | | Chassis EH1D3889 to 3906 | | No. Req'd |
|-------|-----|---|--|--------------------------|--|-----------|
| | | | | | | |
| | | EH1S2833 to 2855 | | EH1D3907 to 3923 | | |
| | | EH1S2856 to 2864 | | EH1D3924 to 3943 | | |
| | | EH1S2865 to 3039 | | EHT1D2303 to 2412 | | |
| | | EH1S3040 to 3072 | | | | |
| 5 MB | 219 | Support RH, Gas Tank | | | | 1 |
| 5 MB | 220 | Support LH, Gas Tank | | | | 1 |
| 6 AX | 447 | Bolt, Gas Tank Support (3/8"-16x1-3/8") | | | | 2 |
| 36 AX | 3 | Washer, Gas Tank Support Bolt (3/8") | | | | 2 |
| 20 AX | 3 | Nut, Gas Tank to Support Bolt (3/8"-24) | | | | 2 |

0304 FUEL TANK AND LINES (Cont'd)



| Ref. No. | PART NAME | Govt. Group | Ref. No. | PART NAME | Govt. Group | Ref. No. | PART NAME | Govt. Group |
|----------|---|-------------|----------|--------------------------------------|-------------|----------|---|-------------|
| 1. | Angle—Gas Tank Support Tie | 0304 | 16. | Reinforcement—Gas Tank Support Frame | 0304 | 36. | Valve—Four Way | 0304 |
| 2. | Support—Gas Tank | 0304 | 17. | Cap—Gas Tank Filler Spout | 0304 | 37. | Screw—Auxiliary Fuel System Four Way Valve Mounting | 0304 |
| 3. | Gauge—Auxiliary Gas Tank | 0304 | 18. | Spout—Gas Tank Filler | 0304 | 38. | Spacer—Four Way Valve Mounting Plate | 0304 |
| 4. | Bolt—Gas Tank Support Mounting | 0304 | 19. | Strap—Gas Tank | 0304 | 39. | Plate—Four Way Valve Mounting | 0304 |
| 5. | Reinforcement—Gas Tank Support Frame | 0304 | 20. | Cap—Gas Tank Filler Spout | 0304 | 40. | Plate—Auxiliary Gas Tank Marker | 0304 |
| 6. | Lockwasher—Gas Tank Support Mounting Bolt Nut | 0304 | 21. | Spout—Gas Tank Filler | 0304 | 41. | Bracket—Gas Line Support | 0304 |
| 7. | Nut—Gas Tank Support Mounting Bolt | 0304 | 22. | Screw—Gas Tank Filler Spout | 0304 | 42. | Bolt—Gas Line Support Bracket | 0304 |
| 8. | Tank—Gas | 0304 | 23. | Tube—RH Tank to Valve | 0304 | 43. | Lockwasher—Gas Line Support Bracket Bolt Nut | 0304 |
| 9. | Strap—Gas Tank | 0304 | 24. | Nut—Gas Tank Filler Spout | 0304 | 44. | Nut—Gas Line Support Bracket Bolt | 0304 |
| 10. | Gasket—Auxiliary Gas Tank Gauge | 0304 | 25. | Tank—Gasoline | 0304 | 45. | Tube—Valve to Titeflex | 0304 |
| 11. | Screw—Auxiliary Gas Tank Gauge | 0304 | 26. | Gauge—Gas Tank | 0304 | 46. | Tube—Fuel Pump Inlet Flexible | 0304 |
| 12. | Nut—Gas Tank Strap Pal | 0304 | 27. | Gasket—Gas Tank Gauge | 0304 | 47. | Support—Gas Tank | 0304 |
| 13. | Nut—Gas Tank Strap | 0304 | 28. | Screw—Gas Tank Gauge | 0304 | 48. | Bolt—Gas Tank Support | 0304 |
| 14. | Washer—Gas Tank Strap Nut | 0304 | 29. | Nut—Gas Tank Support Bolt | 0304 | 49. | Bolt—Gas Tank Support (Long) | 0304 |
| 15. | Support—Gas Tank | 0304 | 30. | Lockwasher—Gas Tank Support Bolt Nut | 0304 | 50. | Bolt—Gas Tank Support (Short) | 0304 |
| | | | 31. | Pin—Gas Tank Support Bolt Nut Cotter | 0304 | 51. | Support—Gas Tank | 0304 |
| | | | 32. | Nut—Gas Tank Support Bolt | 0304 | | | |
| | | | 33. | Washer—Gas Tank Support Bolt | 0304 | | | |
| | | | 34. | Spring—Gas Tank Support Bolt | 0304 | | | |
| | | | 35. | Tube—Valve to Seat Tank | 0304 | | | |

| Group No. | Part No. | Description | No. Req'd |
|-----------|----------|-------------|-----------|
|-----------|----------|-------------|-----------|

0304 FUEL TANK AND LINES (Cont'd)

UNDER SEAT TANK (Cont'd)

| | | | |
|--------|-----|--|---|
| 36 AX | 3 | Washer, Gas Tank Support Bolt (3/8") | 2 |
| 3 AX | 847 | Bolt, Gas Tank Support (3/8"-24x5-1/16") | 1 |
| 19 AX | 3 | Nut, Gas Tank Support Bolt (3/8"-24) | 1 |
| 58 AX | 59 | Spring, Gas Tank Support Bolt (2-3/8") | 1 |
| 37 AX | 66 | Washer, Gas Tank Support Bolt (13/32") | 1 |
| 29 AX | 43 | Cotter, Gas Tank Support Bolt (3/32"x3/4") | 1 |
| 1 AX | 27 | Bolt, Gas Tank Support (Short) (3/8"-24x3") | 1 |
| 1 AX | 95 | Bolt, Gas Tank Support (Long) (3/8"-24x3-1/4") | 1 |
| 24 MB | 16 | Cap, Gas Tank Filler (Stant Mfg. Co. #5410A) | 1 |
| 121 SF | 16 | Gasket, Gas Tank Filler Spout | 1 |
| 56 AX | 181 | Gasket, Gas Tank Filler Cap Flange (2-1/2") | 1 |
| 20 AX | 3 | Nut, Gas Tank Filler Spout Flange (3/8"-24) | 4 |
| 36 AX | 3 | Washer, Gas Tank Filler Spout Flange (3/8") | 4 |
| 2 MB | 422 | Tank, Gasoline | 1 |
| 63 AX | 764 | Plug, Gas Tank Drain (1/4") | 1 |
| 21 MB | 33 | Spout Complete, Gas Tank Filler | 1 |

UNDER SEAT TANK

Chassis EH1D3869 to 3888

Chassis EHT1D2273 to 2302

| | | | |
|--------|------|--|---|
| 2 EH | 41A | Tank Assembly, Gas | 1 |
| 24 MB | 16 | Cap, Gas Tank Filler Spout (Stant Mfg. Co. #5410A) | 1 |
| 121 SF | 16 | Gasket, Gas Tank Filler Spout Cap | 1 |
| 47 RU | 1231 | Spacer Assembly RH, Gas Tank | 1 |
| 47 RU | 1232 | Spacer Assembly LH, Gas Tank | 1 |
| 7 MB | 3020 | Strap, Gas Tank | 2 |
| 22 AX | 21 | Nut, Gas Tank Strap (3/8"-16) | 4 |
| 16 MB | 208 | Gauge, Gas (Tank Unit) | 1 |
| 2 EH | 34 | Filler Spout Assembly, Gas Tank | 1 |

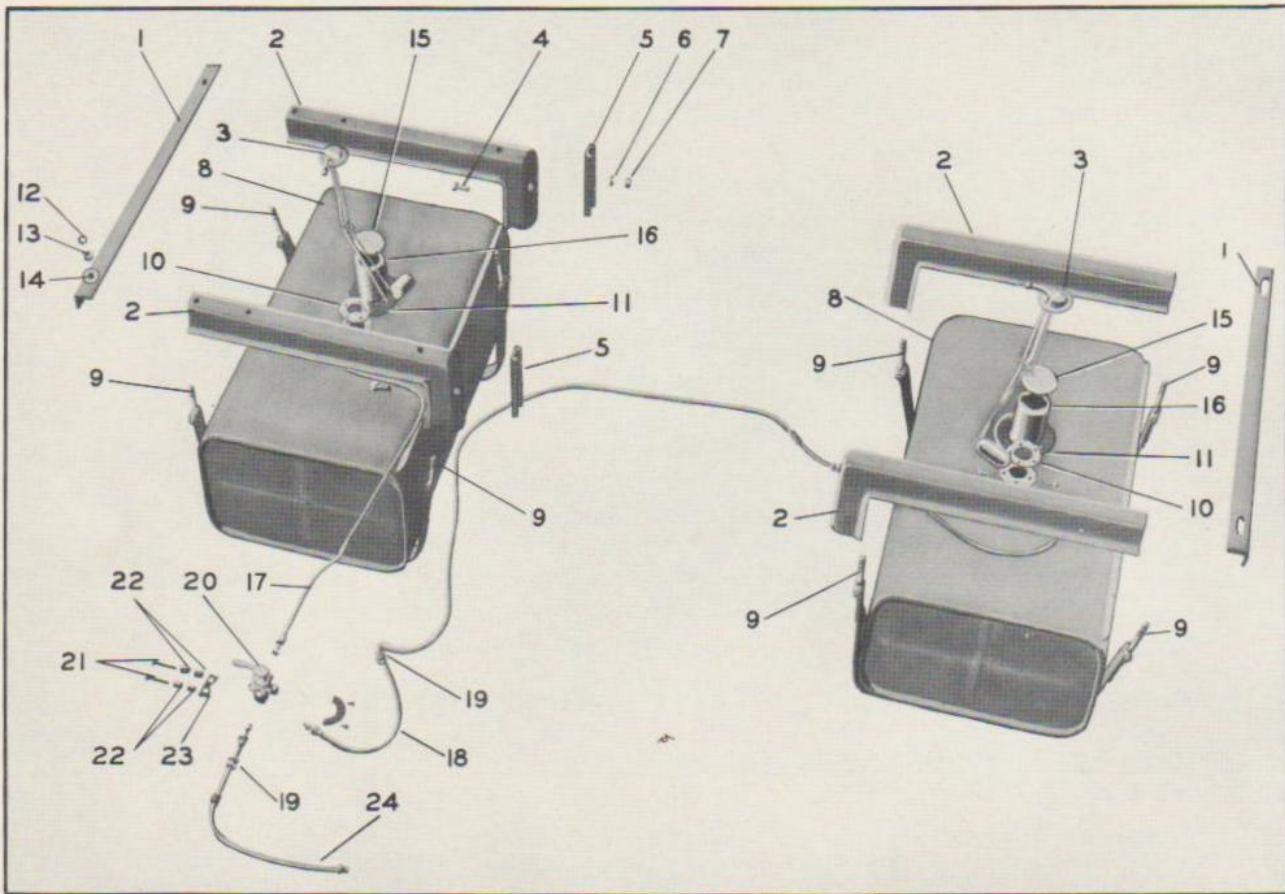
RIGHT AND LEFT HAND GAS TANKS

COLUMN #1 - RIGHT HAND

COLUMN #2 - LEFT HAND

| | | | No. Req'd. | |
|--------|--------|---|------------|--------|
| | | | Col. 1 | Col. 2 |
| 2 MB | 4253P1 | Tank, Gas RH (Except Tractor) | 1 | - |
| 2 MB | 4253P2 | Tank, Gas LH (Except Tractor) | - | 1 |
| 2 MB | 4133 | Tank, Gas (For Tractors) | 1 | 1 |
| 2 EJ | 301 | Support, Gas Tank (Front & Rear) (For chassis with Right and Left Hand Tanks) | 2 | 2 |
| 2 EJ | 301 | Support, Gas Tank (Front) RH Tank | 1 | - |
| 2 EB | 308 | Support, Gas Tank (Rear) RH Tank | 1 | - |
| 5 MB | 3064 | Support, Gas Tank (Tractor & Cab over Engine Models) Right Hand and Right and Left Hand Tanks | 2 | 2 |
| 21 MB | 36P1 | Spout Assembly, Gas Tank Filler RH | 1 | - |
| 21 MB | 37P1 | Spout Assembly, Gas Tank Filler LH | - | 1 |
| 4 AX | 17 | Screw, Filler Spout Mounting (3/8"-16x3/4") | 4 | 4 |
| 36 AX | 3 | Washer, Filler Spout Mounting (3/8") | 4 | 4 |
| 2 EB | 214 | Angle, Gas Tank Support Tie | 1 | 1 |
| 2 EB | 202 | Strap, Gas Tank | 2 | 2 |
| 20 AX | 5 | Nut, Gas Tank Strap (1/2"-20) | 4 | 4 |
| 123 AX | 34 | Pal Nut, Gas Tank Strap (1/2"-20) | 4 | 4 |
| 37 QL | 137P1 | Reinforcement, Frame (For Tank Support) | 1 | 1 |
| 24 MB | 16 | Cap, Gas Tank Filler Spout (Stant Mfg. Co. #5410A) | 1 | 1 |
| 121 SF | 16 | Gasket, Gas Tank Filler Spout Cap | 1 | 1 |

| Group No. | Part No. | Description | No. Req'd. | |
|--|----------|---|------------|--------|
| | | | Col. 1 | Col. 2 |
| 0304 FUEL TANK AND LINES (Cont'd) | | | | |
| RIGHT AND LEFT HAND GAS TANKS (Cont'd) | | | | |
| COLUMN #1 - RIGHT HAND | | | | |
| COLUMN #2 - LEFT HAND | | | | |
| 63 AX | 845 | Plug, Gas Tank Drain (1/4") | 1 | 1 |
| 56 AX | 181 | Gasket, Gas Tank Filler Spout Flange (2-1/2") | 1 | 1 |
| 1 AX | 42 | Bolt, Gas Tank Mounting (1/2"-20x1-1/4") | 8 | 8 |
| 20 AX | 5 | Nut, Gas Tank Mounting Bolt (1/2"-20) | 8 | 8 |
| 36 AX | 5 | Lockwasher, Gas Tank Mounting Bolt (0.515) | 8 | 8 |



| Ref. No. | PART NAME | Govt. Group | Ref. No. | PART NAME | Govt. Group | Ref. No. | PART NAME | Govt. Group |
|----------|---|-------------|----------|---------------------------|-------------|----------|--------------------------------------|-------------|
| 1. | Angle—Gas Tank Support Tie | 0304 | 8. | Tank—Gas | 0304 | 18. | Tube—Gas (LH Tank) | 0304 |
| 2. | Support—Gas Tank | 0304 | 9. | Strap—Gas Tank | 0304 | 19. | Grommet—Gas Line Tube | 0304 |
| 3. | Gauge—Gas Tank | 0304 | 10. | Gasket—Gas Tank Gauge | 0304 | 20. | Valve—Four Way | 0304 |
| 4. | Bolt—Gas Tank Support Mounting | 0304 | 11. | Screw—Gas Tank Gauge | 0304 | 21. | Screw—Four Way Valve | 0304 |
| 5. | Reinforcement—Gas Tank Support Frame | 0304 | 12. | Nut—Gas Tank Strap Pal | 0304 | 22. | Spacer—Four Way Valve Mounting Plate | 0304 |
| 6. | Lockwasher—Gas Tank Support Mounting Bolt Nut | 0304 | 13. | Nut—Gas Tank Strap | 0304 | 23. | Plate—Four Way Valve Mounting | 0304 |
| 7. | Nut—Gas Tank Support Mounting Bolt | 0304 | 14. | Washer—Gas Tank Strap Nut | 0304 | 24. | Tube—Fuel Pump Inlet Flexible | 0304 |
| | | | 15. | Cap—Gas Tank Filler Spout | 0304 | | | |
| | | | 16. | Spout—Gas Tank Filler | 0304 | | | |
| | | | 17. | Tube—Gas (RH Tank) | 0304 | | | |

GAS TANK PIPING (UNDER SEAT & RIGHT HAND TANKS)

| | | | No. Req'd |
|-------|-----|---|-----------|
| 63 AX | 458 | Elbow, Fuel Pump to Line Titeflex Tube (1/8") | 1 |
| 30 MB | 11 | Plate, Auxiliary Gas Tank Marker | 1 |
| 36 RU | 18A | Tube, Fuel Pump Inlet (Flexible) | 1 |

| Group No. | Part No. | Description | No. Req'd |
|---|----------|---|-----------|
| 0504 FUEL TANK AND LINES (Cont'd) | | | |
| GAS TANK PIPING (UNDER SEAT & RIGHT HAND TANKS) (Cont'd) | | | |
| 108 AX | 96 | Tube, LH Tank to Valve (5/16" x 96") | 1 |
| 61 AX | 45 | Valve, Four Way (1/4") | 1 |
| 244 AX | 11 | Drain Pipe, Carburetor (1/4" x 11") | 1 |
| 63 AX | 170 | Elbow, Fuel Pump to Titeflex (1/8") | 1 |
| 63 AX | 490 | Elbow, Four Way Cock Compression (1/2"-24) | 1 |
| 52 AX | 6 | Sleeve, Four Way Cock Compression Elbow (.323 x 13/32" x 1/4") | 1 |
| 63 AX | 362 | Nut, Four Way Cock Compression Elbow (1/2"-24) | 1 |
| 63 AX | 483 | Connection, Four Way Cock Compression (1/2"-24) | 1 |
| 52 AX | 6 | Sleeve, Four Way Compression Connection (.323x13/32"x1/4") | 1 |
| 16 MB | 37-P48 | Gauge, Underseat Gas Tank | 1 |
| 63 AX | 362 | Nut, Four Way Cock Compression Connection (1/2"-24) | 1 |
| 63 AX | 497 | Connection, Carburetor Drain Fitting (7/16"-24) | 1 |
| 52 AX | 7 | Sleeve, Carburetor Drain Fitting Connection (.257 x 11/32" x 1/4") | 1 |
| 63 AX | 361 | Nut, Carburetor Drain Fitting Connection (9/16"-24) | 1 |
| 16 MB | 37P30 | Gauge, Auxiliary Gas Tank | 1 |
| 56 AX | 179 | Gasket, Auxiliary Gas Tank Gauge (1-1/2") | 1 |
| 8 AX | 21 | Screw, Auxiliary Gas Tank Gauge (#10-24 x 1/2") | 5 |
| 36 AX | 14 | Washer, Auxiliary Gas Tank Gauge Screw (0.200) | 5 |
| 63 AX | 290 | Nut, Auxiliary Gas Tank Gauge Fitting (1/2"-20) | 1 |
| 83 AX | 114 | Clamp, Auxiliary Gas Tank Tubing (1/2") | 4 |
| 108 AX | 34 | Tube, Valve to Titeflex (5/16"x34") | 1 |
| 108 AX | 28 | Tube, Valve to Seat Tank (5/16"x28") | 1 |
| 108 AX | 40 | Tube, RH Tank to Valve (5/16"x40") | 1 |
| 8 AX | 150 | Screw, Auxiliary Fuel System Four Way Valve Mounting (1/4"-20 x 1-3/4") | 2 |
| 22 AX | 5 | Nut, Auxiliary Fuel System Four Way Valve Mounting Screw (1/4"-20) | 2 |
| 36 AX | 1 | Washer, Auxiliary Fuel System Four Way Valve Mounting Screw (1/4") | 2 |
| 63 AX | 107 | Plug - at Four Way Valve (1/4") | 1 |
| 75 AX | 230 | Screw, Four Way Valve Marker Plate (#8 x 3/8") | 2 |
| 35 AX | 310 | Spacer, Four Way Valve Marker Plate Screw (17/64") | 4 |
| 42 MB | 17 | Bracket, Gas Line Support | 1 |
| 1 AX | 111 | Bolt, Gas Line Support Bracket to Frame (3/8"-24x3/4") | 1 |
| 21 AX | 151 | Nut, Gas Line Support Bracket to Frame (3/8"-24) | 1 |
| 36 AX | 3 | Lockwasher, Gas Line Support Bracket to Frame (3/8") | 1 |
| 83 AX | 114 | Clamp, Gas Line to Support Bracket (1/2") | 1 |
| 8 AX | 64 | Screw, Gas Line to Support Bracket Clamp (#10-24x5/8") | 1 |
| 36 AX | 14 | Lockwasher, Gas Line to Support Bracket Clamp (0.200) | 1 |
| 53 AX | 1 | Nut, Gas Line to Support Bracket Clamp (#10-24) | 1 |
| GAS TANK PIPING (MODELS EHU AND EHUT) (RIGHT & LEFT HAND) | | | |
| 16 MB | 37P30 | Gauge, Gas (Tank Unit) | 2 |
| 56 AX | 179 | Gasket, Gas Gauge (1-1/2") | 2 |
| 8 AX | 21 | Screw, Gas Gauge Mounting (#10-24x1/2") | 10 |
| 36 AX | 14 | Washer, Gas Gauge Mounting Screw (0.200) | 10 |
| 63 AX | 290 | Nut, Gas Line Tube Fitting (1/2"-20) | 2 |
| 108 AX | 55 | Tube, Gas (RH Tank) (5/16" x 55") | 1 |
| 108 AX | 104 | Tube, Gas (LH Tank) (5/16" x 104") | 1 |
| 15 AB | 11361 | Grommet, Gas Line Tube | 2 |
| 83 AX | 176 | Clamp, Gas Line Tube RH (8-1/2") | 1 |

| Group No. | Part No. | Description | No. Req'd |
|-----------|----------|-------------|-----------|
|-----------|----------|-------------|-----------|

0304 FUEL TANK AND LINES (Cont'd)

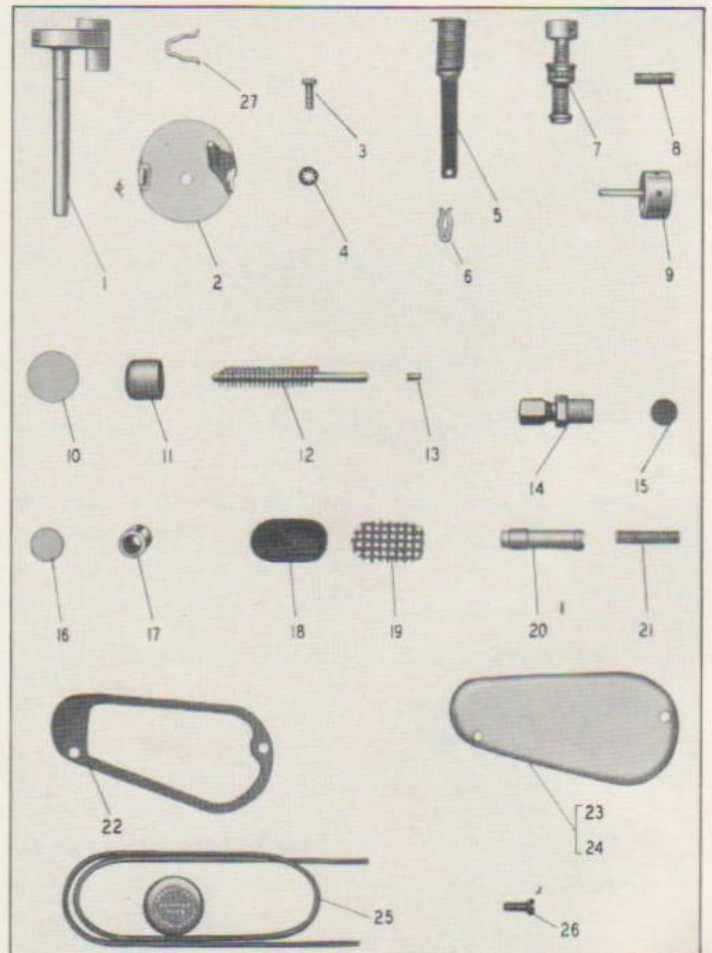
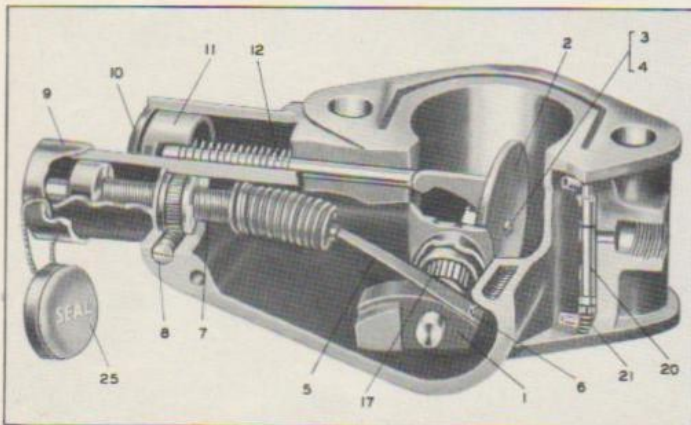
GAS TANK PIPING (MODELS EHU AND EHUT) (RIGHT & LEFT HAND) (Cont'd)

| | | | |
|--------|-----|---|---|
| 83 AX | 31 | Clamp, Gas Line Tube (3/8") | 3 |
| 8 AX | 7 | Screw, Gas Line Tube Clamp (#12-24x3/4") | 4 |
| 53 AX | 4 | Nut, Gas Line Tube Clamp Screw (#12-24) | 4 |
| 36 AX | 17 | Washer, Gas Line Tube Clamp Screw Nut (0.226) | 4 |
| 61 AX | 45 | Valve, Gas Line Four Way (1/4") | 1 |
| 63 AX | 490 | Elbow, Gas Line Four Way Valve (1/2"-24) | 3 |
| 63 AX | 483 | Fitting, Gas Line Tube Connecting (1/2"-24) | 2 |
| 52 AX | 6 | Sleeve, Gas Line Tube Connecting (.323) | 5 |
| 63 AX | 362 | Nut, Gas Line Tube Connecting (1/2"-24) | 5 |
| 36 RU | 18A | Tube, Gas Line Flexible | 1 |
| 36 RU | 138 | Tube, Fuel Pump Inlet | 1 |
| 63 AX | 107 | Plug, at Four Way Valve (1/4") | 1 |
| 2 EH | 138 | Plate, Four Way Valve Mounting | 1 |
| 13 AX | 19 | Screw, Four Way Valve Marker Plate (#8x1/2") | 2 |
| 2 EH | 16 | Plate, Gas Tank Marker | 1 |
| 5 AX | 60 | Screw, Four Way Valve Mounting Plate (1/4"-20x1-11/32") | 2 |
| 22 AX | 5 | Nut, Four Way Valve Mounting Plate Screw (1/4"-20) | 2 |
| 36 AX | 1 | Washer, Four Way Cock Mounting Plate Screw Nut (1/4") | 2 |
| 63 AX | 890 | Elbow, Gas Line (1/8") | 1 |
| 499 GC | 11 | Shield, Fuel Pump | 1 |

0305 GOVERNOR

| | | | |
|--------|-----|---|---|
| 708 GB | 215 | Governor (Handy #V6S-85) (Model EN310 Engine) | 1 |
|--------|-----|---|---|

COMPONENT PARTS OF GOVERNOR - 708 GB 215



| Ref. No. | PART NAME | Govt. Group |
|----------------|---------------------------------|-------------|
| 1. | Shaft Assembly—Valve | 0305 |
| 2. | Valve Assembly | 0305 |
| 3. | Screw—Valve | 0305 |
| 4. | Lockwasher—Valve Screw | 0305 |
| 5. | Spring Assembly | 0305 |
| 6. | Clip—Cam Ribbon | 0305 |
| 7. | *Screw Assembly—Speed Adjusting | 0305 |
| 8. | *Screw—Initial Tension | 0305 |
| 9. | Cap Assembly—Adjusting Screw | 0305 |
| 10. | Plug—Hubbard | 0305 |
| 11. | *Piston—Stabilizer | 0305 |
| 12. | *Rod and Spring Assembly—Piston | 0305 |
| 13. | *Valve Assembly—Check | 0305 |
| 14. | *Fitting | 0305 |
| 15. | Plug—Brass | 0305 |
| 16. | Plug—Valve Shaft | 0305 |
| 17. | Bearing Assembly—Roller | 0305 |
| 18. | Felt—Air Filter | 0305 |
| 19. | Cover—Air Filter | 0305 |
| 20. | Plunger—Vacuum | 0305 |
| 21. | Spring—Plunger | 0305 |
| 22. | Gasket—Cover | 0305 |
| 23. | Cover | 0305 |
| 24. | *Cover | 0305 |
| 25. | Seal and Wire Assembly—Cup | 0305 |
| 26. | Screw—Cover | 0305 |
| 27. | Clip—Valve Shaft | 0305 |
| * Not Serviced | | |

| Group No. | Part No. | Description | No. Req'd |
|-----------|----------|-------------|-----------|
|-----------|----------|-------------|-----------|

0305 GOVERNOR (Cont'd)

COMPONENT PARTS OF GOVERNOR - 708 GB 215 (Cont'd)

| | | |
|-------------|---|---|
| 25223 | Valve Shaft Assembly | 1 |
| 25578 | Valve Screw | 2 |
| 25600 | Valve Screw Lockwasher | 2 |
| 24903 | Spring Assembly | 1 |
| 22027 | Clip, Cam Ribbon | 1 |
| 22311 | Cap Assembly, Adjusting Screw | 1 |
| 23900 | Plug, Brass | 1 |
| 25512 | Plug, Valve Shaft | 1 |
| 24891 | Bearing Assembly, Roller | 2 |
| 22108 | Felt, Air Filter | 1 |
| 22107 | Cover, Air Filter | 2 |
| 23887 | Plunger, Vacuum | 1 |
| 24915 | Spring, Plunger | 1 |
| 22031 | Gasket, Cover | 1 |
| 22032 | Cover | 1 |
| 21035 | Seal & Wire Assembly, Cup | 1 |
| H6321 | Screw, Cover | 1 |
| 22110 | Clip, Valve Shaft | 1 |
| 21124 | Screw, Cover Drive (Std.) | 1 |
| 24566 | Screw, Cover Drive (Oversize) | 1 |
| 23928 | Valve Assembly | 1 |
| 25072-9 | Screw Assembly, Adjusting | 1 |
| 25786 | Plug, Grooved Body | 1 |
| 539 GB 13 | Gasket, Governor & Manifold | 1 |
| 708 GB 425B | Governor (Pierce #SMA-1312) (Model EN-354 Engine) | 1 |

COMPONENT PARTS OF GOVERNOR - 708 GB 425B

PIERCE #SMA-1312

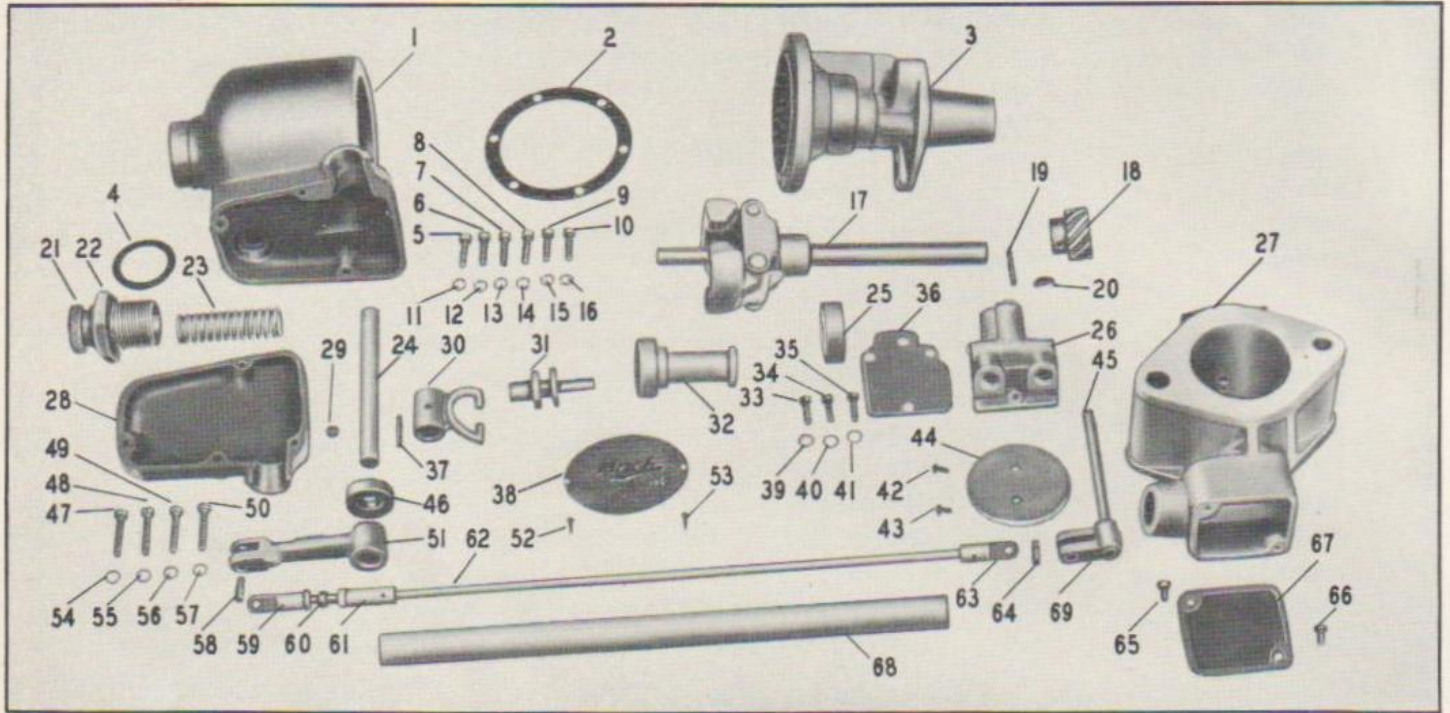
| | | |
|--------|---|---|
| GC-115 | Sub Assembly, Governor | 1 |
| G-3890 | Body, Governor | 1 |
| G-3897 | Gasket, Governor Body | 1 |
| X-825 | Screw, Governor Body | 6 |
| X-540 | Lockwasher, Governor Body Screw | 6 |
| G-3892 | Cap, Governor Body | 1 |
| X-883 | Screw, Governor Body Cap | 4 |
| X-540 | Lockwasher, Governor Body Cap Screw | 4 |
| A-2059 | Pedestal & Bushing Assembly, Governor Body Consisting of the following 3 parts: | |
| G-3891 | Pedestal, Governor Body | 1 |
| G-2789 | Bushing, Governor Drive Shaft (Upper) | 1 |
| G-3771 | Bushing, Governor Drive Shaft (Lower) | 1 |
| A-2060 | Shaft, Spider & Weight Assembly, Governor consisting of the following 5 parts: | |
| G-3894 | Shaft, Governor Drive | 1 |
| G-3757 | Spider, Governor | 1 |
| X-935 | Pin, Governor Spider | 1 |
| G-3034 | Weight, Governor | 2 |
| G-3167 | Pin, Governor Weight | 2 |
| G-3775 | Sleeve, Governor Weight Thrust | 1 |
| X-317 | Bearing, Governor Drive Shaft (Upper) Thrust | 1 |
| X-339 | Bearing, Governor Drive Shaft (Lower) Thrust | 1 |

| Group No. | Part No. | Description | No. Req'd |
|-----------|----------|-------------|-----------|
|-----------|----------|-------------|-----------|

0305 GOVERNOR (Cont'd)

COMPONENT PARTS OF GOVERNOR - 708 GB 425B
PIERCE #SMA-1312

| | | |
|-----------|------------------------------------|---|
| G-2682 | Collar Governor Spring | 1 |
| 588 GC 13 | Spring, Governor (Pierce #SN-1352) | 1 |



| Ref. No. | PART NAME | Govt. Group | Ref. No. | PART NAME | Govt. Group | Ref. No. | PART NAME | Govt. Group |
|----------|--|-------------|----------|--|-------------|----------|--|-------------|
| 1. | Body—Governor | 0305 | 26. | Valve—Governor Vacuum Spark Control | 0305 | 47. | Screw—Governor Body Cap | 0305 |
| 2. | Gasket—Governor Body | 0305 | 27. | Valve Box and Stop Pin Assembly—Governor | 0305 | 48. | Screw—Governor Body Cap | 0305 |
| 3. | Pedestal Bushing Assembly—Governor Body | 0305 | 28. | Cap—Governor Body | 0305 | 49. | Screw—Governor Body Cap | 0305 |
| 4. | Gasket—Governor Adjusting Screw Locknut | 0305 | 29. | Plug—Governor Welch | 0305 | 50. | Screw—Governor Body Cap | 0305 |
| 5. | Screw—Governor Body | 0305 | 30. | Yoke—Governor Rocker Shaft | 0305 | 51. | Lever—Governor Throttle | 0305 |
| 6. | Screw—Governor Body | 0305 | 31. | Collar—Governor Spring | 0305 | 52. | Screw—Name Plate Attaching | 0305 |
| 7. | Screw—Governor Body | 0305 | 32. | Sleeve—Governor Weight Thrust | 0305 | 53. | Screw—Name Plate Attaching | 0305 |
| 8. | Screw—Governor Body | 0305 | 33. | Screw—Governor Spark Control Mounting | 0305 | 54. | Lockwasher—Governor Body Cap Screw | 0305 |
| 9. | Screw—Governor Body | 0305 | 34. | Screw—Governor Spark Control Mounting | 0305 | 55. | Lockwasher—Governor Body Cap Screw | 0305 |
| 10. | Screw—Governor Body | 0305 | 35. | Screw—Governor Spark Control Mounting | 0305 | 56. | Lockwasher—Governor Body Cap Screw | 0305 |
| 11. | Lockwasher—Governor Body Screw | 0305 | 36. | Gasket—Governor Spark Control | 0305 | 57. | Lockwasher—Governor Body Cap Screw | 0305 |
| 12. | Lockwasher—Governor Body Screw | 0305 | 37. | Pin—Governor Rocker Shaft Yoke | 0305 | 58. | Screw—Governor Throttle Rod | 0305 |
| 13. | Lockwasher—Governor Body Screw | 0305 | 38. | Plate—Governor Name | 0305 | 59. | End—Governor Throttle Rod (At Governor) | 0305 |
| 14. | Lockwasher—Governor Body Screw | 0305 | 39. | Lockwasher—Governor Spark Control Mounting Screw | 0305 | 60. | Screw—Governor Throttle Rod Adjusting | 0305 |
| 15. | Lockwasher—Governor Body Screw | 0305 | 40. | Lockwasher—Governor Spark Control Mounting Screw | 0305 | 61. | End—Governor Throttle Rod (At Adjusting Screw) | 0305 |
| 16. | Lockwasher—Governor Body Screw | 0305 | 41. | Lockwasher—Governor Spark Control Mounting Screw | 0305 | 62. | Rod—Governor Throttle | 0305 |
| 17. | Shaft, Spider & Weight Assembly—Governor | 0305 | 42. | Screw—Governor Butterfly Valve Attaching | 0305 | 63. | End—Governor Throttle Rod (At Valve Box) | 0305 |
| 18. | Gear—Governor Drive | 0305 | 43. | Screw—Governor Butterfly Valve Attaching | 0305 | 64. | Screw—Governor Valve Shaft Lever | 0305 |
| 19. | Pin—Governor Drive Gear | 0305 | 44. | Valve—Governor Butterfly | 0305 | 65. | Screw—Governor Valve Box Cover | 0305 |
| 20. | Key—Governor Drive Gear | 0305 | 45. | Shaft and Lever Assembly—Governor Valve | 0305 | 66. | Screw—Governor Valve Box Cover | 0305 |
| 21. | Screw—Governor Adjusting Lock | 0305 | 46. | Seal—Governor Rocker Shaft Oil | 0305 | 67. | Cover—Governor Valve Box | 0305 |
| 22. | Nut—Governor Adjusting Screw | 0305 | | | | 68. | Tube—Governor Throttle Rod | 0305 |
| 23. | Spring—Governor | 0305 | | | | 69. | Lever—Governor Valve Shaft | 0305 |
| 24. | Shaft—Governor Rocker Thrust (Lower) | 0305 | | | | | | |

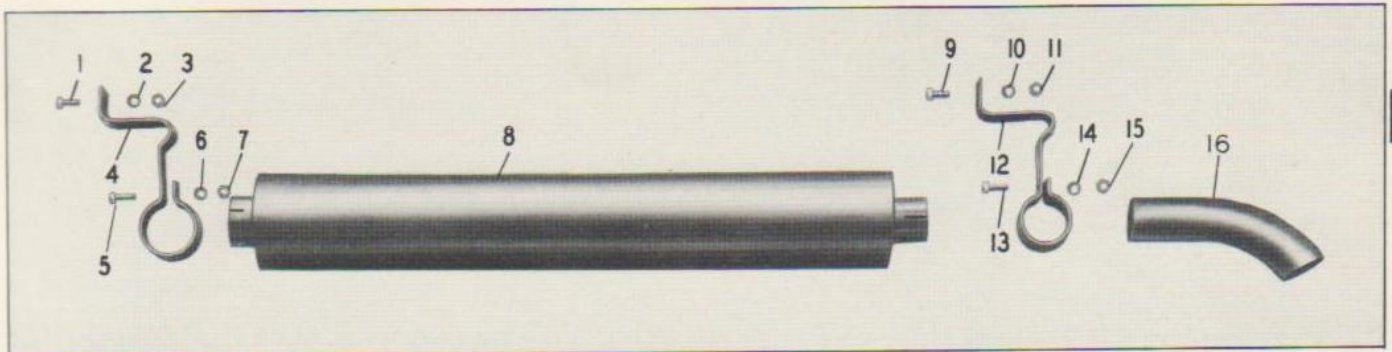
| Group No. | Part No. | Description | No. Req'd |
|--|----------|--|-----------|
| 0305 GOVERNOR (Cont'd) | | | |
| COMPONENT PARTS OF GOVERNOR - 708 GB 425B (Cont'd) | | | |
| PIERCE #SMA-1312 | | | |
| G-2291 | | Screw, Governor Adjusting | 1 |
| X-206 | | Nut, Governor Adjusting Screw Lock | 1 |
| G-4356 | | Gasket, Governor Adjusting Screw Lock Nut | 1 |
| 2 BG 140 | | Gear, Governor Drive (Pierce #G-4085) | 1 |
| 43 AX 29 | | Key, Governor Drive Gear (Pierce #X-461) | 1 |
| 31 AX 9 | | Pin, Governor Drive Gear (Pierce #X-16) | 1 |
| G-6631 | | Shaft, Governor Rocker | 1 |
| X-967 | | Seal, Governor Rocker Shaft Oil | 1 |
| G-2807 | | Yoke, Governor Rocker Shaft | 1 |
| X-74 | | Pin, Governor Rocker Shaft Yoke | 1 |
| G-6594 | | Lever, Governor Throttle | 1 |
| X-1006 | | Pin, Governor Throttle Lever | 1 |
| 363 SB 11 | | Screw, Governor Throttle Rod (Pierce #G-2289) | 1 |
| X-701 | | Plate, Governor Name | 1 |
| X-455 | | Screw, Governor Name Plate Attaching | 2 |
| 79 AX 9 | | Plug, Governor Welch (Pierce #X-532) | 1 |
| 370 GCA 213 | | Rod & Tube Assembly, Governor (Pierce #A-1835) | 1 |
| 2 BG 47A-4 | | Tube, Governor Throttle Rod (Pierce #3898) | 1 |
| 2 BG 47A-2 | | Rod, Governor Throttle (Pierce #G-3895) | 1 |
| 2 BG 47A-10 | | End, Governor Throttle Rod (At Valve Box) (Pierce #G-3793) | 1 |
| 2 CF 49-20 | | Pin, Governor Throttle Rod End (Pierce #X-17) | 1 |
| 2 BG 47A-11 | | End, Governor Throttle Rod (At Adjusting Screw) (Pierce #G-3794) | 1 |
| 2 CF 49-20 | | Pin, Governor Throttle Rod End (Pierce #X-17) | 1 |
| 2 BG 47A-9 | | Screw, Governor Throttle Rod Adjusting (Pierce #G-3792) | 1 |
| 53 AX 6 | | Nut, Governor Throttle Rod (RH Thread) (Pierce #X-243) | 1 |
| 261 SZ 60 | | Nut, Governor Throttle Rod (LH Thread) (Pierce #X-1001) | 1 |
| 81 SB 11 | | End, Governor Throttle Rod (At Governor) (Pierce #G-5660) | 1 |
| SVB-1809 | | Box Assembly, Governor Valve | 1 |
| A-2063 | | Box and Stop Pin Assembly, Governor Valve consisting of the following 2 parts: | 1 |
| S2B-792 | | Box, Governor Valve | 1 |
| X-1125 | | Pin, Governor Valve Shaft Lever Stop | 1 |
| 2 BG 47A-6 | | Cover, Governor Valve Box (Pierce #G-3896) | 1 |
| 2 BG 47A-17 | | Screw, Governor Valve Box Cover (Pierce #X-877) | 2 |
| A-2062 | | Shaft & Lever Assembly, Governor Valve consisting of the following 3 parts: | 1 |
| 364 SB 11 | | Shaft, Governor Valve #S2D-286) | 1 |
| G-6200 | | Lever, Governor Valve Shaft | 1 |
| 2 BG 47A-12 | | Pin, Governor Valve Shaft Lever (Pierce #X-23) | 1 |
| 363 SB 11 | | Screw, Governor Valve Shaft Lever (Pierce #G-2289) | 1 |
| SC-200 | | Valve, Governor Butterfly | 1 |
| X-198 | | Screw, Governor Butterfly Valve Attaching | 2 |
| 122 SB 12 | | Gasket, Governor Vacuum Spark Control Valve (Pierce #HS-101) | 1 |

| Group No. | Part No. | Description | No. Req'd |
|-----------|--|--|-----------|
| 0305 | GOVERNOR (Cont'd) | | |
| | COMPONENT PARTS OF GOVERNOR - 708 GB 425B (Cont'd) | | |
| | PIERCE #SMA-1312 | | |
| 361 | SZ 67 | Screw, Governor Vacuum Spark Control Valve Mounting (Pierce #X-169) | 3 |
| 35 | AX 432 | Washer, Governor Vacuum Spark Control Valve Mounting Screw (Pierce #X-984) | 3 |
| 696 | GC 21 | Valve, Governor Vacuum Spark Control (Pierce #HSA-102) consisting of the following 8 parts: | 1 |
| 21 | SB 13 | Body, Governor Vacuum Spark Control Valve (Pierce #HS-102) | 1 |
| 362 | SB 20 | Spring, Governor Vacuum Spark Control Valve (Pierce #HS-105-1) | 1 |
| 304 | SB 11 | Piston, Governor Vacuum Spark Control Valve (Pierce #HS-104) | 1 |
| 368 | SB 11 | Plug, Governor Vacuum Spark Control Valve Piston Stop (Pierce #HS-110) | 1 |
| 122 | SB 13 | Gasket, Governor Vacuum Spark Control Valve Cylinder Plug (Pierce #X-1016) | 1 |
| 303 | SB 12 | Plug, Governor Vacuum Spark Valve Cylinder (Pierce #HS-109) | 1 |
| 303 | SZ 20 | Plug, Governor Vacuum Spark Control Valve Expansion (3/16") (Pierce #X-917) | 2 |
| 303 | SZ 21 | Plug, Governor Vacuum Spark Control Valve Expansion (3/8") (Pierce #X-981) | 3 |
| | | * * * | |
| 539 | GB 15 | Gasket, Governor & Manifold | 1 |
| 4 | AX 1 | Screw, Governor to Crankcase (Short) | 2 |
| 4 | AX 41 | Screw, Governor to Crankcase (Long) | 1 |
| 36 | AX 3 | Lockwasher, Governor to Crankcase Screw | 3 |

| Group No. | Part No. | Description | No. Req'd |
|-----------|----------|-------------|-----------|
|-----------|----------|-------------|-----------|

04 - EXHAUST

0401 MUFFLER



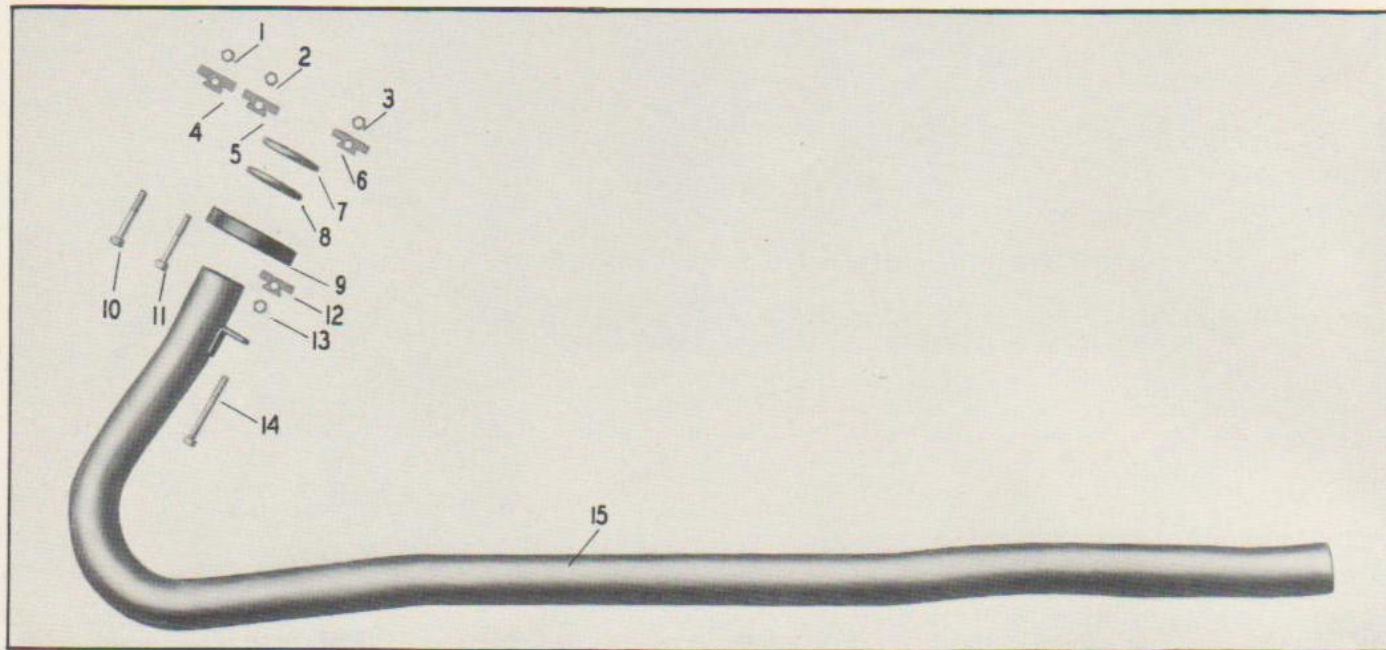
| Ref. No. | PART NAME | Govt. Group | Ref. No. | PART NAME | Govt. Group | Ref. No. | PART NAME | Govt. Group |
|----------|---|-------------|----------|---|-------------|----------|--|-------------|
| 1. | Bolt—Muffler & Pipe Hanger Frame | 0401 | 6. | Washer—Muffler & Pipe Hanger Clamp Bolt | 0401 | 11. | Nut—Muffler & Pipe Hanger Frame Bolt | 0401 |
| 2. | Washer—Muffler & Pipe Hanger Frame Bolt | 0401 | 7. | Nut—Muffler & Pipe Hanger Clamp Bolt | 0401 | 12. | Hanger—Muffler & Pipe (Rear) | 0401 |
| 3. | Nut—Muffler & Pipe Hanger Frame Bolt | 0401 | 8. | Muffler & Tail Pipe Assembly | 0401 | 13. | Bolt—Muffler & Pipe Hanger Clamp | 0401 |
| 4. | Hanger—Muffler & Pipe (Front) | 0401 | 9. | Bolt—Muffler & Pipe Hanger Frame | 0401 | 14. | Washer—Muffler & Pipe Hanger Clamp Bolt | 0401 |
| 5. | Bolt—Muffler & Pipe Hanger Clamp | 0401 | 10. | Washer—Muffler & Pipe Hanger Frame Bolt | 0401 | 15. | Nut—Muffler & Pipe Hanger Clamp Bolt | 0401 |
| | | | | | | 16. | Pipe—Muffler Tail (Not furnished separately) | 0401 |

| | | | | |
|----|----|------|--|---|
| 2 | ME | 22P1 | Muffler & Tail Pipe Assembly | 1 |
| 3 | EH | 11A | Hanger, Muffler & Pipe (Front) | 1 |
| 3 | EH | 12A | Hanger, Muffler & Pipe (Rear) | 1 |
| 1 | AX | 35 | Bolt, Muffler & Pipe Hanger Clamp (3/8"-24 x 1") | 2 |
| 20 | AX | 3 | Nut, Muffler & Pipe Hanger Clamp Bolt (3/8"-24) | 2 |
| 36 | AX | 3 | Washer, Muffler & Pipe Hanger Clamp Bolt (3/8") | 2 |
| 1 | AX | 33 | Bolt, Muffler & Pipe Hanger Frame (3/8"-24 x 7/8") | 2 |
| 20 | AX | 3 | Nut, Muffler & Pipe Hanger Frame Bolt (3/8"-24) | 2 |
| 36 | AX | 3 | Washer, Muffler & Pipe Hanger Frame Bolt (3/8") | 2 |

0402

| Group No. | Part No. | Description |
|-----------|----------|-------------|
|-----------|----------|-------------|

0402 PIPE & TAIL PIPE



| Ref. No. | PART NAME | Govt. Group | Ref. No. | PART NAME | Govt. Group | Ref. No. | PART NAME | Govt. Group |
|----------|----------------------------|-------------|----------|----------------------------|-------------|----------|----------------------------|-------------|
| 1. | Nut—Exhaust Pipe Flange | 0402 | 6. | Washer—Exhaust Pipe Flange | 0402 | 11. | Bolt—Exhaust Pipe Flange | 0402 |
| 2. | Nut—Exhaust Pipe Flange | 0402 | 7. | Gasket—Exhaust Pipe Flange | 0402 | 12. | Washer—Exhaust Pipe Flange | 0402 |
| 3. | Nut—Exhaust Pipe Flange | 0402 | 8. | Gasket—Exhaust Pipe Flange | 0402 | 13. | Nut—Exhaust Pipe Flange | 0402 |
| 4. | Washer—Exhaust Pipe Flange | 0402 | 9. | Flange—Exhaust Pipe | 0402 | 14. | Bolt—Exhaust Pipe Flange | 0402 |
| 5. | Washer—Exhaust Pipe Flange | 0402 | 10. | Bolt—Exhaust Pipe Flange | 0402 | 15. | Pipe—Exhaust | 0402 |

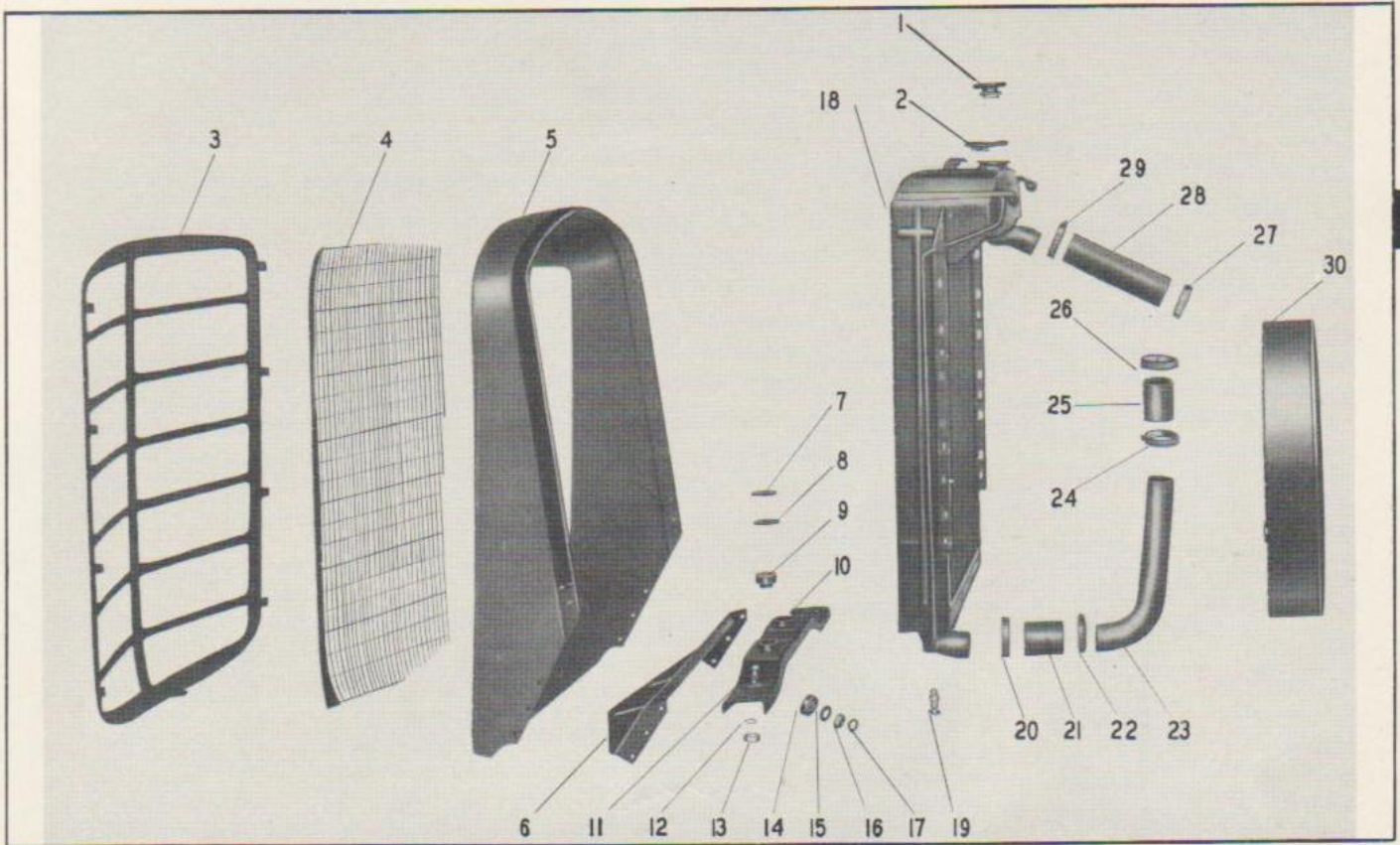
| | | | | |
|----|----|--------|---|---|
| 3 | EH | 14 | Flange, Exhaust Pipe | 1 |
| 4 | AX | 74 | Bolt, Exhaust Pipe Flange (EH & EHT only) (7/16"-14x2-5/8") | 2 |
| 22 | AX | 9 | Nut, Exhaust Pipe Flange (7/16"-14) | 4 |
| 35 | AX | 172 | Washer, Exhaust Pipe Flange (15/32") | 4 |
| 6 | AX | 420 | Bolt, Exhaust Pipe Flange (7/16"-14 x 3-1/2") | 1 |
| 60 | AX | 29 | Gasket, Exhaust Pipe Flange (2-33/64") | 2 |
| 4 | ME | 3120P1 | Pipe, Exhaust (146" W.B. & up) (EH & EHT only) | 1 |
| 4 | ME | 3120P2 | Pipe, Exhaust (141" W.B.) (EHT only) | 1 |
| 4 | ME | 3122P1 | Pipe, Exhaust (144" & 162" W.B.) (EHU & EHUT only) | 1 |
| 4 | AX | 238 | Bolt, Exhaust Pipe Flange (EHU & EHUT only) (7/16"-14 x 2-3/4") | 2 |

| Group No. | Part No. | Description | No. Req'd |
|-----------|----------|-------------|-----------|
|-----------|----------|-------------|-----------|

05 - COOLING

0501 RADIATOR SHELL, CORE, FILLER CAP AND GRILLE

- For Models EH & EHT -



| Ref. No. | PART NAME | Govt. Group | Ref. No. | PART NAME | Govt. Group | Ref. No. | PART NAME | Govt. Group |
|----------|-------------------------------------|-------------|----------|--|-------------|----------|---|-------------|
| 1. | Cap—Radiator Filler Pressure | 0501 | 12. | Lockwasher—Radiator Cross Member Mounting Bolt Nut | 0504 | 22. | Clamp—Radiator Water Outlet Hose | 0505 |
| 2. | Cap—Radiator Filler | 0501 | 13. | Nut—Radiator Cross Member Mounting Bolt | 0504 | 23. | Tube—Radiator to Pump Connection | 0505 |
| 3. | Grille—Radiator | 0501 | 14. | Rubber—Radiator Support (Lower) | 0504 | 24. | Clamp—Radiator to Pump Connection Tube Hose | 0505 |
| 4. | Screen—Radiator Grille | 0501 | 15. | Spacer—Radiator Support Rubber | 0504 | 25. | Hose—Radiator to Pump Connection Tube | 0505 |
| 5. | Shell—Radiator | 0501 | 16. | Nut—Radiator Support | 0504 | 26. | Clamp—Radiator to Pump Connection Tube Hose | 0505 |
| 6. | Shield—Radiator | 0501 | 17. | Nut—Radiator Support Pal | 0504 | 27. | Clamp—Radiator Inlet Hose | 0505 |
| 7. | Spacer—Radiator Support Rubber | 0504 | 18. | Core & Tank Assembly—Radiator | 0501 | 28. | Hose—Radiator Inlet | 0505 |
| 8. | Spacer—Radiator Support Rubber | 0504 | 19. | Cock—Radiator Drain | 0501 | 29. | Clamp—Radiator Inlet Hose | 0505 |
| 9. | Rubber—Radiator Support (Upper) | 0504 | 20. | Clamp—Radiator Water Outlet Hose | 0505 | 30. | Shroud—Fan | 0501 |
| 10. | Cross Member—Radiator Support | 0504 | 21. | Hose—Radiator Water Outlet | 0505 | | | |
| 11. | Bolt—Radiator Cross Member Mounting | 0504 | | | | | | |

| | | |
|-------------|--|----|
| 16 MF 19 | Cap, Rad. Filler | 1 |
| 3 MFA 465P2 | Core & Tank Assembly, Radiator | 1 |
| 5 MH 444 | Shroud, Fan | 1 |
| 4 AX 76 | Screw, Fan Shroud (5/16"-18 x 5/8") | 8 |
| 36 AX 2 | Washer, Fan Shroud Screw (5/16") | 8 |
| 16 MF 22 | Cap, Radiator Filler Pressure | 1 |
| 4 EH 512 | Shell, Radiator | 1 |
| 4 EH 53 | Screen, Radiator Grille | 1 |
| 4 EH 52 | Grille, Radiator | 1 |
| 4 EM 42 | Shield, Radiator | 1 |
| 130 AX 222 | Screw, Shell & Grille (#10-24 x 7/16") | 14 |

| Group No. | Part No. | Description | No. Req'd |
|----------------------------------|--|--|-----------|
| 0501 | RADIATOR SHELL, CORE, FILLER CAP AND GRILLE (Cont'd) | | |
| - For Models EH & EHT - (Cont'd) | | | |
| 155 | AX 8 | Nut, Shell & Grille Screw (#10-24) | 14 |
| | 37 AX 81 | Washer, Shell & Grille (17/64") | 14 |
| 130 | AX 99 | Screw, Radiator & Shell (1/4"-20 x 5/8") | 16 |
| 155 | AX 5 | Nut, Radiator & Shell (1/4"-20) | 16 |
| | 4 EH 218A | Panel, Radiator Shell Division | 1 |
| 130 | AX 244 | Screw, Radiator Shell Division Panel (#12-24 x 1") | 3 |
| | 35 AX 66 | Spacer, Radiator Shell Division Panel Screw (7/32" x 1/2" x 5/16") | 1 |
| | 36 AX 1 | Washer, Radiator Shell Division Panel Screw (1/4") | 3 |
| | 53 AX 4 | Nut, Radiator Shell Division Panel Screw (#12-24) | 3 |
| | 61 AX 54 | Cock, Radiator Drain (3/8") | 1 |
| | 37 AX 81 | Washer, Radiator Shell (17/64") | 20 |
| | 52 MF 12 | Tag, Radiator Caution | 1 |

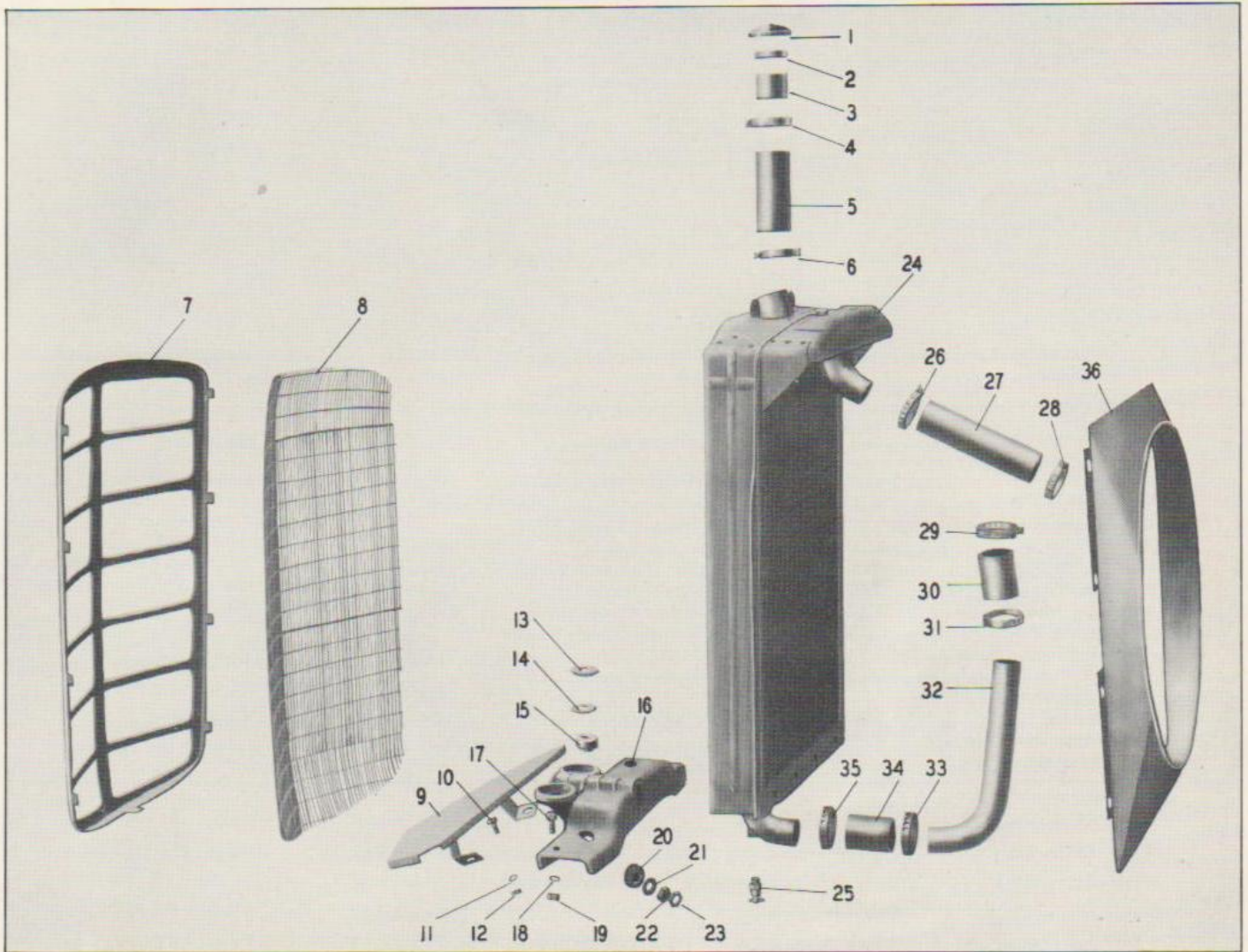
- For Models EHU & EHUT -

| | | | |
|-----|-----------|--|----|
| 3 | MFA 424 | Core & Tank Assembly, Radiator | 1 |
| 5 | MH 31 | Shroud, Fan | 1 |
| 4 | AX 221 | Bolt, Fan Shroud Mounting (5/16"-18 x 1/2") | 8 |
| 36 | AX 2 | Washer, Fan Shroud Mounting Bolt Lock (5/16") | 8 |
| 16 | MF 11 | Cap, Radiator | 1 |
| | 4 EH 513 | Grille, Radiator | 1 |
| | 9 MF 21 | Shield, Radiator | 1 |
| | 1 AX 33 | Bolt, Radiator Shield (3/8"-24 x 7/8") | 2 |
| | 20 AX 3 | Nut, Radiator Shield Bolt (3/8"-24) | 2 |
| | 36 AX 3 | Washer, Radiator Shield Bolt (3/8") | 2 |
| | 7 MF 12 | Screen, Radiator Grille | 1 |
| | 5 MF 21 | Panel, Radiator Hood Division | 1 |
| 130 | AX 833 | Screw, Ornament Base (1/4"-28 x 1") | 2 |
| 130 | AX 240 | Screw, Radiator Grille Mounting (#12-24 x 1/2") | 14 |
| | 53 AX 1 | Nut, Radiator Grille Mounting Screw (#10-24) | 14 |
| | 36 AX 14 | Washer, Radiator Grille Mounting Screw Lock (0.200) | 14 |
| | 37 AX 130 | Washer, Radiator Grille Mounting Screw Flat (17/64" x 5/8" x 5/8") | 14 |
| | 49 MF 11 | Insulator, Radiator Filler Spout | 1 |
| | 61 AX 54 | Cock, Radiator Drain (3/8") | 1 |
| | 52 MF 12 | Tag, Radiator Caution | 1 |
| 130 | AX 244 | Screw, Radiator Division Panel Mounting (#12-24 x 1") | 2 |
| 130 | AX 245 | Screw, Radiator Division Panel Mounting (#12-24x1-1/4") | 1 |
| | 53 AX 4 | Nut, Radiator Division Panel Mounting Screw (#12-24) | 3 |
| | 36 AX 1 | Washer, Radiator Division Panel Mounting Screw Nut (1/4") | 3 |
| | 35 AX 66 | Washer, Radiator Division Panel Screw (7/32"x1/2"x5/16") | 2 |
| | 37 AX 81 | Washer, Radiator Division Panel Mounting Screw Plain (17/64") | 3 |

| Group No. | Part No. | Description | No. Req'd |
|-----------|----------|-------------|-----------|
|-----------|----------|-------------|-----------|

0501 RADIATOR SHELL, CORE, FILLER CAP AND GRILLE (Cont'd)

- For Models EHU & EHUT - (Cont'd)



| Ref. No. | PART NAME | Govt. Group | Ref. No. | PART NAME | Govt. Group | Ref. No. | PART NAME | Govt. Group |
|----------|---------------------------------|-------------|----------|--|-------------|----------|---|-------------|
| 1. | Cap—Radiator | 0501 | 15. | Rubber—Radiator Support (Upper) | 0504 | 25. | Cock—Radiator Drain | 0501 |
| 2. | Insulator—Radiator Filler Spout | 0501 | 16. | Cross Member—Radiator Support | 0504 | 26. | Clamp—Radiator Inlet Hose | 0505 |
| 3. | Tube—Radiator Filler | 0505 | 17. | Bolt—Radiator Support Cross Member Mounting | 0504 | 27. | Hose—Radiator Inlet | 0505 |
| 4. | Clamp—Radiator Filler Hose | 0505 | 18. | Lockwasher—Radiator Support Cross Member Mounting Bolt Nut | 0504 | 28. | Clamp—Radiator Inlet Hose | 0505 |
| 5. | Hose—Radiator Filler | 0505 | 19. | Nut—Radiator Support Cross Member Mounting Bolt | 0504 | 29. | Clamp—Radiator to Pump Connection Tube Hose | 0505 |
| 6. | Clamp—Radiator Filler Hose | 0505 | 20. | Rubber—Radiator Support (Lower) | 0504 | 30. | Hose—Radiator to Pump Connection Tube | 0505 |
| 7. | Grille—Radiator | 0501 | 21. | Spacer—Radiator Support Rubber | 0504 | 31. | Clamp—Radiator to Pump Connection Tube Hose | 0505 |
| 8. | Screen—Radiator Grille | 0501 | 22. | Nut—Radiator Support | 0504 | 32. | Tube—Radiator to Pump Connection | 0505 |
| 9. | Shield—Radiator | 0501 | 23. | Nut—Radiator Support Pal | 0504 | 33. | Clamp—Radiator Water Outlet Hose | 0505 |
| 10. | Bolt—Radiator Shield | 0501 | 24. | Core & Tank Assembly—Radiator | 0501 | 34. | Hose—Radiator Water Outlet | 0505 |
| 11. | Washer—Radiator Shield Bolt Nut | 0501 | | | | 35. | Clamp—Radiator Water Outlet Hose | 0505 |
| 12. | Nut—Radiator Shield Bolt | 0501 | | | | 36. | Shroud—Fan | 0501 |
| 13. | Spacer—Radiator Support Rubber | 0504 | | | | | | |
| 14. | Spacer—Radiator Support Rubber | 0504 | | | | | | |

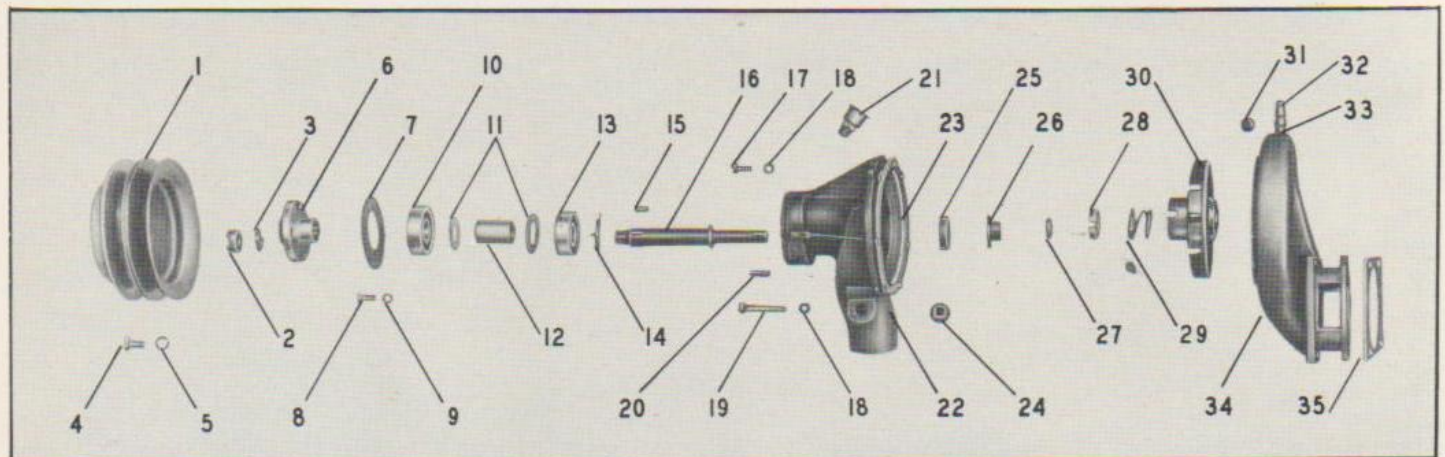
0502 THERMOSTAT AND THERMOMETER

| | | | | |
|-----|----|--------|------------------------------|---|
| 15 | EH | 313-24 | Adapter, Heat Indicator | 1 |
| 15 | EJ | 329-9 | Indicator, Heat (EH & EHT) | 1 |
| 161 | SD | 11 | Indicator, Heat (EHU & EHUT) | 1 |
| 657 | GC | 217 | Thermostat | 1 |

0503

| Group No. | Part No. | Description | No. Req'd |
|-----------|----------|-------------|-----------|
|-----------|----------|-------------|-----------|

0503 WATER PUMP, FAN, BELT



| Ref. No. | PART NAME | Govt. Group | Ref. No. | PART NAME | Govt. Group | Ref. No. | PART NAME | Govt. Group |
|----------|--|-------------|----------|---------------------------------|-------------|----------|--------------------------------------|-------------|
| 1. | Pulley—Water Pump | 0503 | 12. | Spacer—Water Pump Bearing | 0503 | 23. | Gasket—Water Pump Cover | 0503 |
| 2. | Nut—Water Pump Pulley | 0503 | 13. | Bearing—Water Pump (Rear) | 0503 | 24. | Plug—Water Pump Housing | 0503 |
| 3. | Washer—Water Pump Pulley Nut Lock | 0503 | 14. | Slinger—Water Pump Shaft (Rear) | 0503 | 25. | Washer—Water Pump Seal | 0503 |
| 4. | Bolt—Fan Mounting | 0503 | 15. | Key—Water Pump Pulley | 0503 | 26. | Seal—Water Pump | 0503 |
| 5. | Washer—Fan Mounting Bolt | 0503 | 16. | Shaft—Water Pump | 0503 | 27. | Ring—Water Pump Seal Clamp | 0503 |
| 6. | Hub—Water Pump Pulley | 0503 | 17. | Screw—Water Pump Cover | 0503 | 28. | Guide—Water Pump Seal Spring | 0503 |
| 7. | Retainer—Water Pump Bearing | 0503 | 18. | Washer—Water Pump Cover Screw | 0503 | 29. | Spring—Water Pump Seal | 0503 |
| 8. | Screw—Water Pump Bearing Retainer | 0503 | 19. | Screw—Water Pump Cover (Long) | 0503 | 30. | Rotor—Water Pump | 0503 |
| 9. | Washer—Water Pump Bearing Retainer Screw | 0503 | 20. | Key—Water Pump Rotor | 0503 | 31. | Plug—Water Pump Housing | 0503 |
| 10. | Bearing—Water Pump (Front) | 0503 | 21. | Cup—Water Pump Grease | 0503 | 32. | Nut—Water Pump Vent Tube | 0505 |
| 11. | Slinger—Water Pump Shaft | 0503 | 22. | Cover—Water Pump | 0503 | 33. | Connector—Water Pump Vent Tube | 0505 |
| | | | | | | 34. | Housing—Water Pump | 0503 |
| | | | | | | 35. | Gasket—Water Pump Housing & Cylinder | 0503 |

| | | | | |
|-----|-----|------|--|---|
| 316 | GCA | 38A | Pump Assembly (Complete), Water | 1 |
| 316 | GCA | 22 | Pump Service Assembly, Water (Less Pulley & Rear Housing) | 1 |
| 771 | GB | 46A | Housing (Rear), Water Pump | 1 |
| 610 | GB | 12 | Gasket, Water Pump Housing & Cylinder | 1 |
| 16 | AX | 382 | Stud, Water Pump Housing & Cylinder (7/16"-20x7/16"-14 x 1-3/8") | 4 |
| 36 | AX | 57 | Washer, Water Pump Housing & Cylinder Stud (.453") | 4 |
| 21 | AX | 296 | Nut, Water Pump Housing & Cylinder Stud (7/16"-20) | 4 |
| 63 | AX | 4 | Plug, Water Pump Housing (Without Compressor) (1/4") | 1 |
| 63 | AX | 45 | Plug, Water Pump Housing (Without Compressor) (3/8") | 2 |
| 63 | AX | 45 | Plug, Water Pump Housing (With Compressor) (3/8") | 1 |
| 46 | AX | 304 | Bearing (Front), Water Pump (SKF #I-70941) | 1 |
| 46 | AX | 305 | Bearing (Rear), Water Pump (SKF #FLB20-C-003) | 1 |
| 544 | GC | 12 | Spacer, Water Pump Bearing | 1 |
| 4 | BG | 171 | Retainer, Water Pump Bearing | 1 |
| 4 | AX | 6 | Screw, Water Pump Bearing Retainer (1/4"-20 x 1/2") | 4 |
| 36 | AX | 1 | Washer, Water Pump Bearing Retainer Screw (1/4") | 4 |
| 360 | GB | 41B | Cover, Water Pump | 1 |
| 606 | GB | 11 | Gasket, Water Pump Cover | 1 |
| 4 | AX | 36 | Screw, Water Pump Cover (1/4"-20 x 5/8") | 4 |
| 4 | AX | 232 | Screw (Long), Water Pump Cover (1/4"-20 x 1-7/8") | 2 |
| 37 | AX | 5 | Washer, Water Pump Cover Screw (17/64") | 6 |
| 469 | GC | 115A | Shaft, Water Pump | 1 |
| 4 | BG | 172 | Slinger, Water Pump Shaft | 2 |
| 518 | GC | 11 | Slinger (Rear), Water Pump Shaft | 1 |
| 379 | GC | 22A | Rotor, Water Pump | 1 |

| Group No. | Part No. | Description | No. Req'd |
|-----------|----------|-------------|-----------|
|-----------|----------|-------------|-----------|

0503 WATER PUMP, FAN, BELT (Cont'd)

| | | | |
|---------|-----|--|---|
| 42 AX | 291 | Key, Water Pump Rotor (3/16" x 3/16" x 3/4") | 1 |
| 447 GC | 11 | Seal, Water Pump | 1 |
| 447 GCA | 13 | Seal Service Assembly, Water Pump | 1 |
| 354 GC | 11 | Ring, Water Pump Seal Clamp | 1 |
| 729 GC | 11 | Washer, Water Pump Seal | 1 |
| 578 GC | 11 | Spring, Water Pump Seal | 1 |
| 719 GB | 11. | Guide, Water Pump Seal Spring | 1 |
| 4 BG | 224 | Pulley, Water Pump | 1 |
| 786 GB | 11 | Hub, Water Pump Pulley | 1 |
| 42 AX | 28 | Key, Water Pump Pulley (3/16" x 3/16" x 9/16") | 1 |
| 4 BG | 16 | Nut, Water Pump Pulley | 1 |
| 36 AX | 15 | Washer, Water Pump Pulley Nut Lock (5/8") | 1 |
| 45 AX | 23 | Cup, Water Pump Grease (1/4") | 1 |
| 202 SB | 12 | Kit, Water Pump Repair | 1 |

- This Kit is composed of the following 11 parts -

| | | | |
|---------|--------|---|---|
| 469 GC | 115A | Shaft, Water Pump | 1 |
| 4 BG | 172 | Slinger, Water Pump Shaft | 2 |
| 518 GC | 11 | Slinger (Rear), Water Pump Shaft | 1 |
| 606 GB | 11 | Gasket, Water Pump Cover | 1 |
| 379 GC | 22A | Rotor, Water Pump | 1 |
| 42 AX | 291 | Key, Water Pump Rotor (3/16" x 3/16" x 3/4") | 1 |
| 447 GCA | 13 | Seal Service Assembly, Water Pump | 1 |
| 46 AX | 304 | Bearing (Front), Water Pump (SKF #I-70941) | 1 |
| 46 AX | 305 | Bearing (Rear), Water Pump (SKF #FLB20-C-003) | 1 |
| 4 BG | 171 | Retainer, Water Pump Bearing | 1 |
| 45 AX | 23 | Cup, Water Pump Grease (1/4") | 1 |
| 2 MH | 412 | Fan Complete | 1 |
| 1 AX | 24 | Bolt, Fan Mounting (3/8"-24 x 1-1/4") | 4 |
| 36 AX | 3 | Washer, Fan Mounting Bolt (3/8") | 4 |
| 1 BG | 298A | Pulley, Fan Driving | 1 |
| 1 BG | 2174B | Hub, Fan Driving Pulley | 1 |
| 42 AX | 25 | Key, Fan Driving Pulley (3/8" x 1/4" x 7/8") | 1 |
| 31 AX | 7 | Dowel, Fan Driving Pulley (3/16" x 11/32") | 1 |
| 4 AX | 34 | Screw, Fan Driving Pulley (3/8"-16 x 5/8") | 4 |
| 36 AX | 3 | Washer, Fan Driving Pulley Screw (3/8") | 4 |
| 88 GB | 330F32 | Belt, Fan & Generator | 2 |

0504 RADIATOR MOUNTINGS

- For Models EH & EHT -

| | | | |
|--------|------|--|---|
| 17 MF | 220 | Cross Member, Radiator Support | 1 |
| 37 MF | 201 | Rubber, Radiator Support (Upper) | 2 |
| 1 CQ | 2019 | Rubber, Radiator Support (Lower) | 2 |
| 1 AX | 35 | Bolt, Radiator Support Cross Member Mounting (3/8"-24x1") | 4 |
| 20 AX | 3 | Nut, Radiator Support Cross Member Mounting Bolt (3/8"-24) | 4 |
| 36 AX | 3 | Washer, Radiator Support Cross Member Mounting Bolt (3/8") | 4 |
| 20 AX | 7 | Nut, Radiator Support (5/8"-18) | 2 |
| 123 AX | 36 | Nut, Radiator Support Pal (5/8"-18) | 2 |
| 35 AX | 710 | Spacer, Radiator Support Rubber (1-1/8"x1-1/2"x5/16") | 2 |
| 37 AX | 382 | Spacer, Radiator Support Rubber (21/32") | 4 |
| 37 AX | 172 | Washer, Radiator Mounting Support (41/64") | 2 |
| 4 EM | 123 | Plate, Radiator Tie Rod | 2 |

| Group No. | Part No. | Description | No. Req'd |
|-----------|----------|-------------|-----------|
|-----------|----------|-------------|-----------|

0504 RADIATOR MOUNTINGS (Cont'd)

- For Models EH & EHT - Cont'd)

| | | | |
|--------|-----|---|---|
| 4 EM | 16 | Rod, Radiator Tie | 2 |
| 120 AX | 67 | "U" Bolt, Radiator Tie Rod (1/4"-28 x 15/16") | 1 |
| 4 EH | 114 | Plate, Radiator Tie Rod "U" Bolt | 1 |
| 20 AX | 3 | Nut, Radiator Tie Rod Lock (3/8"-24) | 8 |
| 20 AX | 1 | Nut, Radiator Tie Rod "U" Bolt (1/4"-28) | 2 |
| 36 AX | 1 | Washer, Radiator Tie Rod "U" Bolt (1/4") | 2 |

- For Models EHU & EHUT -

| | | | |
|--------|------|---|---|
| 37 MF | 201 | Rubber, Radiator Support (Upper) | 2 |
| 1 CQ | 2019 | Rubber, Radiator Support (Lower) | 2 |
| 1 AX | 42 | Bolt, Radiator Support Cross Member Mounting (1/2"-20 x 1-1/4") | 4 |
| 20 AX | 5 | Nut, Radiator Support Cross Member Mounting Bolt (1/2"-20) | 4 |
| 36 AX | 5 | Washer, Radiator Support Cross Member Mounting Bolt (1/2") | 4 |
| 17 MF | 43A | Cross Member, Radiator & Hood Support | 1 |
| 37 AX | 172 | Washer, Radiator Mounting Support (41/64"x1-3/8"x1/8") | 2 |
| 22 MF | 11 | Rod, Radiator Tie | 2 |
| 120 AX | 67 | "U" Bolt, Radiator Tie Rod (1/4"-28 x 15/16") | 1 |
| 4 EH | 114 | Plate, Radiator Tie Rod "U" Bolt | 1 |
| 20 AX | 3 | Nut, Radiator Tie Rod Lock (3/8"-24) | 8 |
| 20 AX | 1 | Nut, Radiator Tie Rod "U" Bolt (1/4"-28) | 2 |
| 36 AX | 1 | Washer, Radiator Tie Rod "U" Bolt (1/4") | 2 |
| 36 AX | 3 | Washer, Radiator Tie Rod Lock Nut (3/8") | 4 |
| 20 AX | 7 | Nut, Radiator Support (5/8"-18) | 2 |
| 123 AX | 36 | Pal Nut, Radiator Support (5/8"-18) | 2 |

0505 ENGINE WATER FITTINGS AND HOSE

| | | | |
|--------|------|---|----|
| 1 BG | 1651 | Manifold, Cylinder Water | 1 |
| 1 BG | 1681 | Gasket, Cylinder Water Manifold | 1 |
| 4 AX | 76 | Screw, Cylinder Water Manifold (5/16"-18 x 5/8") | 28 |
| 39 AX | 5 | Washer, Cylinder Water Manifold Screw (21/64") | 28 |
| 439 GB | 36A | Elbow, Cylinder Head Water Outlet | 1 |
| 555 GB | 14 | Gasket, Cylinder Head Water Outlet Elbow | 1 |
| 4 AX | 41 | Screw, Cylinder Head Water Outlet Elbow (3/8"-16x1-1/8") | 4 |
| 36 AX | 3 | Washer, Cylinder Head Water Outlet Elbow Screw (3/8") | 4 |
| 121 AX | 10 | Tube, Water Pump Vent (3/16" x 10") | 1 |
| 63 AX | 366 | Nut, Water Pump Vent Tube (3/8"-24) | 2 |
| 52 AX | 9 | Sleeve, Water Pump Vent Tube (.193) | 2 |
| 63 AX | 697 | Connector, Water Pump Vent Tube (1/8" x 3/8"-24) | 2 |
| 219 GC | 19 | Tube, Compressor Water Inlet | 1 |
| 109 AX | 14 | Tube, Compressor Water Outlet (3/8" x 14") | 1 |
| 63 AX | 14 | Connector, Compressor Water Inlet & Outlet Tube (At Compressor) (1/4" x 3/8") | 2 |
| 63 AX | 13 | Elbow, Compressor Water Inlet Tube (At Pump) (1/4" x 3/8") | 1 |
| 63 AX | 1164 | Elbow, Compressor Water Outlet Tube (At Pump) (3/8") | 1 |
| 63 AX | 81 | Reducer, Compressor Water Inlet & Outlet Tube Connector (At Compressor) | 2 |
| 49 AX | 4 | Plug, Cylinder Drain (1/8") | 1 |
| 63 AX | 335 | Plug, Cylinder to Compressor Water Connection (Without Compressor) (1/4") | 2 |

| Group No. | Part No. | Description | No. Req'd |
|-----------|----------|-------------|-----------|
|-----------|----------|-------------|-----------|

0505 ENGINE WATER FITTINGS AND HOSE (Cont'd)

- For Models EH & EHT only -

| | | | | |
|-----|----|-----|---|---|
| 4 | EM | 22A | Fitting, Radiator Water Outlet | 1 |
| 11 | MF | 32 | Tube, Radiator to Pump Connection | 1 |
| 83 | AX | 6 | Clamp, Radiator Water Outlet Hose (2-5/8") | 4 |
| 160 | AX | 52 | Hose, Radiator Water Inlet (1-3/4" x 2-1/4" x 4") | 1 |
| 83 | AX | 6 | Clamp, Radiator Water Inlet Hose (2-5/8") | 2 |
| 160 | AX | 46 | Hose, Radiator Water Outlet (Upper) | 1 |
| 160 | AX | 47 | Hose, Radiator Water Outlet (Lower) | 1 |

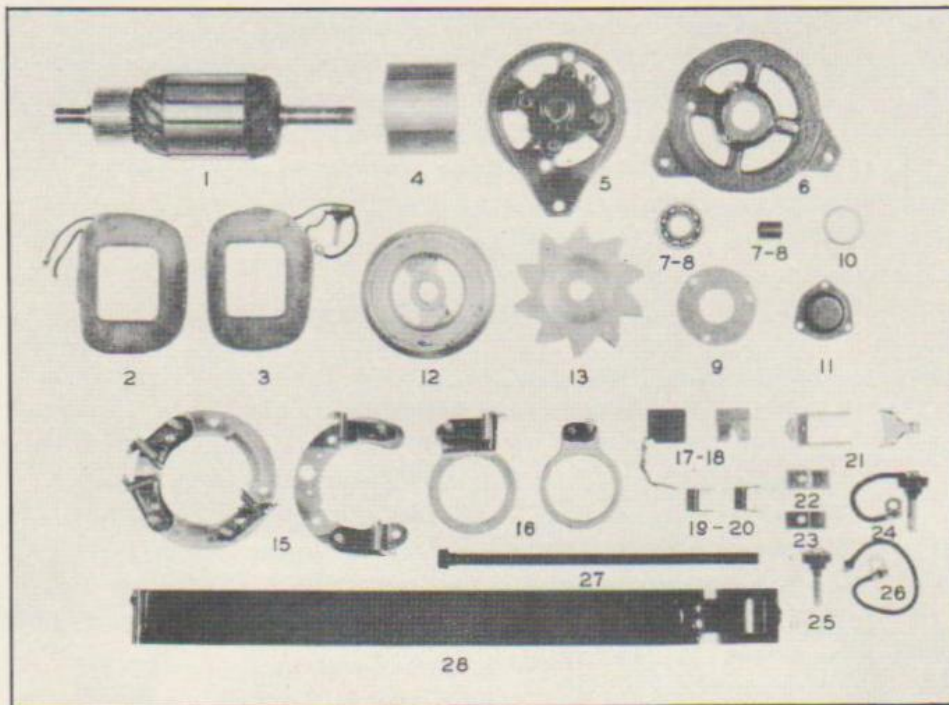
- For EHU & EHUT only -

| | | | | |
|-----|----|-----|---|---|
| 4 | EM | 22A | Fitting, Radiator Water Outlet | 1 |
| 4 | EH | 317 | Tube, Radiator to Pump Connection | 1 |
| 160 | AX | 103 | Hose, Radiator Water Filler (Upper) (2-1/4" x 5-3/4") | 1 |
| 83 | AX | 6 | Clamp, Radiator Filler Hose (2-5/8") | 2 |
| 83 | AX | 6 | Clamp, Radiator Water Outlet Hose (2-5/8") | 4 |
| 83 | AX | 6 | Clamp, Radiator Water Inlet Hose (2-5/8") | 2 |
| 50 | MF | 11 | Tube, Radiator Filler | 1 |
| 160 | AX | 109 | Hose, Radiator Filler Water Inlet (2" x 2-1/2" x 10-1/2") | 1 |
| 160 | AX | 46 | Hose, Radiator Filler | 2 |

| Group No. | Part No. | Description | No. Req'd |
|-----------|----------|-------------|-----------|
|-----------|----------|-------------|-----------|

06 - ELECTRICAL

0601 GENERATOR AND REGULATOR



| Ref. No. | PART NAME | Govt. Group | Ref. No. | PART NAME | Govt. Group | Ref. No. | PART NAME | Govt. Group |
|----------|----------------------|-------------|----------|-----------------------------------|-------------|----------|---|-------------|
| 1. | Armature | 0601 | 8. | Bearing D. E.—Ball | 0601 | 17. | Brush—Main | 0601 |
| 2. | Coil R. H.—Field | 0601 | 9. | Plate D. E.—Ball Bearing Retainer | 0601 | 19. | Spring—Main Brush | 0601 |
| 3. | Coil L. H.—Field | 0601 | 10. | Plate D. E.—Felt Washer Retainer | 0601 | 21. | Lever—Brush Tension | 0601 |
| 4. | Shoe—Pole | 0601 | 11. | Plate—Commutator End Cover | 0601 | 24. | Lead—Terminal Stud and Stud Only—Terminal | 0601 |
| 5. | Frame—Commutator End | 0601 | 15. | Plate Assembly—Main Brush | 0601 | 25. | Stud Only—Terminal | 0601 |
| 6. | Frame—Drive End | 0601 | | | | 27. | Bolt—Thru | 0601 |
| 7. | Bearing C. E.—Ball | 0601 | | | | 28. | Band—Commutator Cover | 0601 |

2 MJ 338

Generator (EHT & EHUT)

1

2 MJ 343

Generator (EH & EHU)

1

Component Parts of Generators

2MJ338 (D.R.1106586)

2MJ343 (D.R.1106591)

| | | |
|---------|---|---|
| 1885726 | Armature (For 2MJ343 Generator) | 1 |
| 1872056 | Armature (For 2MJ338 Generator) | 1 |
| 1842744 | Shoe, Pole | 2 |
| 828675 | Screw, Pole Shoe | 4 |
| 809062 | Pin, Dowel (C.E. & D.E.) | 2 |
| 1868729 | Stud & Lead Assembly, Terminal | 1 |
| 810459 | Stud only, Terminal | 2 |
| 820516 | Clip, Terminal Stud Lock ("A" Terminal) | 2 |
| 810460 | Insulation, Terminal Stud (Bent Strip) ("A" Terminal) | 2 |
| 1872459 | Washer, Terminal Stud Insulation | 6 |
| 820523 | Bushing, Terminal Stud Insulation | 2 |
| 834560 | Washer, Terminal Stud Plain | 2 |
| 802760 | Washer, Terminal Stud Lock | 4 |
| 116004 | Nut, Terminal Stud | 4 |
| 833634 | Clip, Terminal (To Brush) | 2 |
| 1879296 | Coil, Field (R.H.) | 1 |
| 1878844 | Coil, Field (L.H.) | 1 |

| Group No. | Part No. | Description | No. Req'd |
|--|----------|--|-----------|
| 0601 GENERATOR AND REGULATOR (Cont'd) | | | |
| Component Parts of Generators (Cont'd) | | | |
| 2MJ338 (D.R.1106586) | | | |
| 2MJ343 (D.R.1106591) | | | |
| 1868744 | | Frame, Commutator End | 1 |
| 1880635 | | Oiler (C.E.) | 1 |
| 37077 | | Washer, Felt (C.E.) | 1 |
| 37078 | | Cup, Felt Washer Retainer (C.E.) | 1 |
| 29047 | | Wick, Felt (C.E. or D.E.) | 2 |
| 1877941 | | Plate Assembly, Main Brush (Less Brushes) | 1 |
| 1868746 | | Plate only, Main Brush | 1 |
| 1838340 | | Brush, Main | 2 |
| 1838341 | | Spring, Main Brush | 2 |
| 1877949 | | Lever, Main Brush Tension | 2 |
| 1838339 | | Holder, Main Brush | 2 |
| 825189 | | Washer, Brush Holder Insulator (2 Hole) | 2 |
| 825187 | | Washer, Brush Holder Space (2 Hole) | 5 |
| 1877917 | | Collar, Brush Holder Space | 2 |
| 1838345 | | Stud, Brush Holder | 2 |
| 5024654 | | Nut, Brush Holder Stud | 2 |
| 802731 | | Washer, Brush Holder Stud Nut Lock | 2 |
| 115116 | | Screw, Brush Holder Support | 2 |
| 802731 | | Washer, Brush Holder Support Screw Lock | 2 |
| 825185 | | Bushing, Brush Holder Stud (Steel-in Brush Holder) | 2 |
| 825190 | | Bushing, Brush Holder Stud & Screw Ins. (In Brush Plate) | 2 |
| 825186 | | Bracket, Brush Terminal | 2 |
| 1868747 | | Clamp, Brush Plate | 2 |
| 115393 | | Screw, Brush Plate Clamp | 4 |
| 106497 | | Washer, Brush Plate Clamp Screw Lock | 4 |
| 141601 | | Screw, Brush Lead Attaching | 3 |
| 106497 | | Washer, Brush Lead Attaching Screw Lock | 3 |
| 46 AX 7 | | Bearing, Ball (C.E.) | 1 |
| 816212 | | Plate, Commutator End Cover (C.E.) | 1 |
| 1835457 | | Gasket, End Cover Plate (C.E.) | 1 |
| 1866970 | | Screw, End Cover Plate (C.E.) | 3 |
| 106497 | | Washer, End Cover Plate Screw Lock (C.E.) | 3 |
| 1869751 | | Band, Commutator Cover | 1 |
| 1880572 | | FRAME, DRIVE END (For 2MJ343 Generator) | 1 |
| 1874169 | | FRAME, DRIVE END (For 2MJ338 Generator) | 1 |
| 1880635 | | Oiler (D.E.) | 1 |
| 825197 | | Washer, Felt (D.E.) | 1 |
| 825196 | | Plate, Felt Washer Retainer (D.E.) | 1 |
| 1849278 | | Collar, Space (Outside - D.E.) | 1 |
| 1845626 | | Washer, Space (Inside - D.E.) | 1 |
| 46 AX 8 | | Bearing, Ball (D.E.) | 1 |
| 1838692 | | Plate, Ball Bearing Retainer (D.E.) | 1 |
| 825260 | | Gasket, Ball Bearing Retainer Plate (D.E.) | 1 |
| 1866487 | | Screw, Ball Bearing Retainer Plate (D.E.) | 5 |
| 802731 | | Washer, Ball Bearing Retainer Plate Screw Lock (D.E.) | 5 |
| 124548 | | Key, Woodruff (D.E.) | 1 |
| 36035 | | Shaft Nut (D.E.) | 1 |
| 141612 | | Washer, Shaft Nut Lock (D.E.) | 1 |
| 1872670 | | Bolt, Thru | 2 |
| 108579 | | Washer, Thru Bolt Lock | 2 |

| Group No. | Part No. | Description | No. Req'd |
|-----------|----------|-------------|-----------|
|-----------|----------|-------------|-----------|

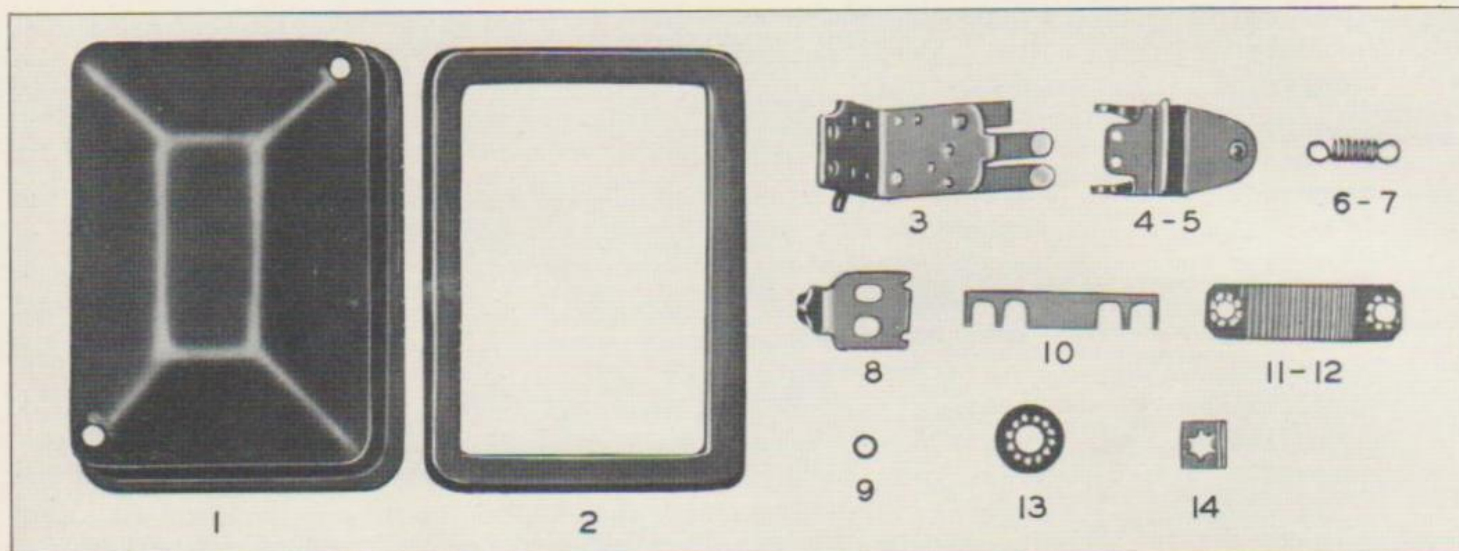
0601 GENERATOR AND REGULATOR (Cont'd)

Component Parts of Generators (Cont'd)

2MJ338 (D.R.1106586)

2MJ343 (D.R.1106591)

| | | |
|------------|-----------------------------------|---|
| 132243 | Screw (Top of Field Frame) | 2 |
| 103319 | Washer, Lock (Top of Field Frame) | 2 |
| 9 MJ 39P9 | Regulator, Voltage (EHT & EHUT) | 1 |
| 9 MJ 39P10 | Regulator, Voltage (EH & EHU) | 1 |



| Ref. No. | PART NAME | Govt. Group | Ref. No. | PART NAME | Govt. Group | Ref. No. | PART NAME | Govt. Group |
|----------|----------------------------|-------------|----------|-----------------------------------|-------------|----------|---------------------------------|-------------|
| 1. | Cover | 0601 | 6. | Spring—Current Regulator Armature | 0601 | 9. | Bushing—Contact Ins. | 0601 |
| 2. | Gasket—Cover | 0601 | 7. | Spring—Voltage Regulator Armature | 0601 | 10. | Strap—Connector | 0601 |
| 3. | Armature—Relay | 0601 | 8. | Point & Support—Contact | 0601 | 11. | Resistance to Ground | 0601 |
| 4. | Armature—Current Regulator | 0601 | | | | 12. | Resistance to Current Regulator | 0601 |
| 5. | Armature—Voltage Regulator | 0601 | | | | 13. | Grommet—Rubber | 0601 |
| | | | | | | 14. | Clamp—Terminal | 0601 |

Component Parts of Voltage Regulator

9MJ39P9 (D.R. 1118212)

9MJ39P10 (D.R. 1118244)

| | | |
|---------|---|---|
| 1878514 | Cover | 1 |
| 1878510 | Gasket, Cover | 1 |
| 1878467 | Armature, Relay | 1 |
| 1879353 | Armature, Current Regulator | 1 |
| 1878575 | Armature, Voltage Regulator | 1 |
| 1878500 | Spring, Current Regulator Armature (For use on 9MJ39P9) | 2 |
| 1878501 | Spring, Voltage Regulator Armature (For use on 9MJ39P9) | 1 |
| 1878517 | Point & Support, Contact | 2 |
| 1878506 | Bushing, Contact Ins. | 4 |
| 1878504 | Strap, Connector | 1 |
| 1866139 | Resistance to Ground | 1 |
| 1865615 | Regulator, Resistance to Current | 1 |
| 1879663 | Grommet, Rubber | 3 |
| 1878503 | Clamp, Terminal | 3 |
| 1878505 | Lockwasher, Regulator Contact Attaching Screw (2 hole) | 2 |
| 20793 | Lockwasher, Regulator Armature Screw | 4 |

| Group No. | Part No. | Description | No. Req'd |
|-----------|----------|-------------|-----------|
|-----------|----------|-------------|-----------|

0601 GENERATOR AND REGULATOR (Cont'd)

Component Parts of Voltage Regulator (Cont'd)

9MJ39P9 (D.R. 1118212)

9MJ39P10 (D.R. 1118244)

| | | | |
|---------|--|---|---|
| 1878500 | | Spring, Regulator Armature (For use on 9MJ39P10) | 4 |
| 1878500 | | Spring, Voltage Regulator Armature (For use on 9MJ39P9) | 1 |
| 802730 | | Lockwasher, Relay Armature Screw | 2 |
| 140630 | | Nut, Regulator Armature Screw | 4 |
| 1878499 | | Screw, Cover | 2 |
| 141542 | | Screw, Relay Armature Attaching | 2 |
| 1879662 | | Screw, Regulator Armature Attaching | 4 |
| 1878516 | | Screw, Regulator Contact Attaching | 4 |
| 1878502 | | Screw, Terminal | 3 |
| 1865616 | | Washer, Cover Screw Insulation | 2 |
| 1878018 | | Washer, Regulator Contact Attaching Screw (2 Hole) Insulation | 4 |
| 1879688 | | Cup, Seal (For Use on 9MJ39P9) | 1 |

* * *

| | | | |
|--------|-------|---|---|
| 6 MJ | 289 | Pulley, Generator | 1 |
| 88 GBC | 330P2 | Belt, Fan & Generator | 1 |
| 18 MJ | 21 | Fan, Generator Pulley | 1 |
| 8 AX | 168 | Bolt, Generator Pulley Fan (#12-24x3/8") | 4 |
| 36 AX | 17 | Lockwasher, Generator Pulley Fan Bolt (0.226) | 4 |
| 3 MJ | 237 | Bracket, Generator Support | 1 |
| 5 EH | 243A | Bracket, Adjusting Link Support | 1 |
| 4 MJ | 121 | Link, Adjusting | 1 |
| 37 AX | 182 | Spacer, Adjusting Link (21/64") | 1 |
| 4 AX | 1 | Screw, Adjusting Link Mounting (3/8"-16x1") | 1 |
| 36 AX | 3 | Lockwasher, Adjusting Link Mounting Screw (3/8") | 1 |
| 4 AX | 16 | Screw, Adjusting Link Support Bracket Mounting Screw (3/8"-16 x 1-1/4") | 2 |
| 36 AX | 3 | Washer, Adjusting Link Support Bracket Mounting Screw (3/8") | 2 |
| 4 AX | 5 | Screw, Generator & Adjusting Link (5/16"-18x1") | 1 |
| 36 AX | 2 | Lockwasher, Generator & Adjusting Link Screw (5/16") | 1 |
| 37 AX | 1 | Washer, Generator & Adjusting Link Screw Plain (21/64") | 1 |
| 4 AX | 66 | Screw, Generator Support Bracket Mounting (1/2"-13x1-1/4") | 2 |
| 36 AX | 5 | Lockwasher, Generator Support Bracket Mounting Screw (1/2") | 2 |
| 1 AX | 39 | Bolt, Generator to Support Bracket Mounting (7/16"-20x 1-3/4") | 1 |
| 1 AX | 90 | Bolt, Generator to Support Bracket Mounting (7/16"-20x 2-1/2") | 1 |
| 20 AX | 4 | Nut, Generator to Support Bracket Mounting Bolt (7/16"-20) | 2 |
| 36 AX | 4 | Lockwasher, Generator to Support Bracket Mounting Bolt Nut (0.453) | 2 |

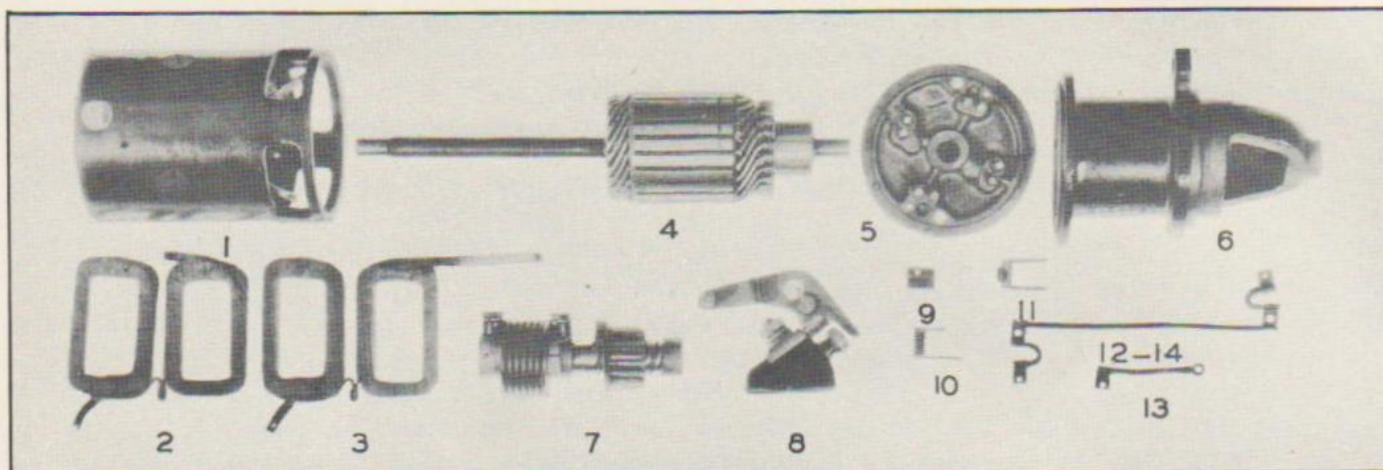
0602 STARTING MOTOR

| | | | |
|-------|-----|---|---|
| 5 EB | 316 | Starting Motor (6 Volt) (Delco #737-T) | 1 |
| 19 MJ | 101 | Strap, Starting Motor Ground | 1 |
| 83 AX | 292 | Clamp, Starting Cable (13/16") | 4 |
| 5 EH | 127 | Switch, Starting (EH & EHT only) (D.R. #405C) | 1 |

| Group No. | Part No. | Description | No. Req'd |
|-----------|----------|-------------|-----------|
|-----------|----------|-------------|-----------|

0602 STARTING MOTOR (Cont'd)

| | | | |
|-------|----|---|---|
| 36 AX | 1 | Lockwasher, Starting Switch Mounting Screw (EH & EHT only) (1/4") | 2 |
| 20 AX | 1 | Nut, Starting Switch Mounting Screw (1/4"-28) (EH & EHT only) | 2 |
| 1 AX | 73 | Screw, Starting Switch Mounting (1/4"-28x1/4") (EH & EHT only) | 2 |
| 4 AX | 1 | Bolt, Starting Motor Mounting (3/8"-16 x 1") | 3 |
| 36 AX | 3 | Lockwasher, Starting Motor Mounting Bolt (3/8") | 3 |
| 86 AX | 10 | Terminal, Starting Switch Wire (For #8 Wire) | 1 |
| 86 AX | 5 | Terminal, Starting Motor (For #00 Wire) | 1 |



| Ref. No. | PART NAME | Govt. Group | Ref. No. | PART NAME | Govt. Group | Ref. No. | PART NAME | Govt. Group |
|----------|-----------------------------|-------------|----------|----------------------|-------------|----------|----------------------|-------------|
| 1. | Frame and Field Assembly | 0602 | 5. | Frame—Commutator End | 0602 | 10. | Spring—Brush | 0602 |
| 2. | Coil—Field (R. H. or Upper) | 0602 | 6. | Housing—Motor Drive | 0602 | 11. | Holder—Brush | 0602 |
| 3. | Coil—Field (L. H. or Lower) | 0602 | 7. | Motor Drive Complete | 0602 | 13. | Lead—Brush Ground | 0602 |
| 4. | Armature | 0602 | 9. | Brush | 0602 | 14. | Lead—Brush Connector | 0602 |

COMPONENT PARTS OF STARTING MOTOR - 5 EB 316

(Delco #737-T)

| | | |
|---------|---|---|
| 817790 | Frame & Field Assembly | 1 |
| 810601 | Shoe, Pole | 4 |
| 828675 | Screw, Pole Shoe | 4 |
| 826938 | Stud, Field Terminal | 1 |
| 1861076 | Washer, Field Terminal Stud Nut Insulation (3/4" O.D.) | 2 |
| 809051 | Washer, Field Terminal Stud Nut Insulation (9/16" O.D.) | 3 |
| 805790 | Washer, Field Terminal Stud Plain | 2 |
| 805258 | Nut, Field Terminal Stud (5/32" Thick) | 2 |
| 142248 | Washer, Field Terminal Stud Nut Lock | 2 |
| 810824 | Wedge, Terminal Stud | 1 |
| 810626 | Coil Assembly, Field (2 Coils - Lower Half) | 1 |
| 810627 | Coil Assembly, Field (2 Coils - Upper Half) | 1 |
| 818002 | Armature | 1 |
| 817114 | Band, Commutator Cover | 1 |
| 815839 | Frame & Pin Assembly, Commutator End | 1 |
| 817313 | Pin, Brush Holder Hinge | 2 |
| 817314 | Pin, Brush Holder Stop | 2 |
| 812016 | Pin & Insulation, Brush Holder Hinge | 2 |
| 812015 | Pin & Insulation, Brush Holder Stop | 2 |

| Group No. | Part No. | Description | No. Req'd |
|-----------|----------|-------------|-----------|
|-----------|----------|-------------|-----------|

0602 STARTING MOTOR (Cont'd)

COMPONENT PARTS OF STARTING MOTOR - 5 EB 316 (Cont'd)

(Delco #737-T)

| | | | |
|---------|--|--|---|
| 809062 | | Pin, Dowel (C.E.) | 1 |
| 114998 | | Oiler (C.E.) | 1 |
| 802691 | | Wick, Oil (C.E.) | 1 |
| 810819 | | Plug, End (C.E.) (3/4" O.D.) | 1 |
| 134569 | | Nut, Field Terminal Stud (1/4" Thick) | 1 |
| 1865182 | | Plug, End (C.E.) (11/16" O.D.) | 1 |
| 1857960 | | Brush Set (Consists of 4 of 811553 Brushes) | 1 |
| 810226 | | Holder, Brush | 4 |
| 813521 | | Spring, Brush | 4 |
| 115903 | | Screw, Brush Attaching | 4 |
| 106495 | | Washer, Brush Attaching Screw Lock | 4 |
| 813554 | | Lead, Brush Ground | 2 |
| 114935 | | Screw, Brush Ground Lead | 2 |
| 106496 | | Washer, Brush Ground Lead Screw Lock | 2 |
| 819362 | | Lead, Brush & Field Connector | 1 |
| 135616 | | Screw, Brush Lead Attaching | 2 |
| 106497 | | Lockwasher, Brush Lead Attaching Screw | 2 |
| 1863631 | | Housing, Motor Drive | 1 |
| 811230 | | Bushing, Motor Drive Housing | 1 |
| 833602 | | Washer, Space (C.E. & D.E. - .563x63/64"x1/16") | 2 |
| 809815 | | Washer, Space (D.E. - .626x1-1/16"x1/16") | 1 |
| 1849774 | | Washer, Space (D.E. - .626x1-1/16"x3/32") | 1 |
| 809593 | | Pin, Dowel (D.E.) | 1 |
| 124546 | | Key, Woodruff | 1 |
| 809053 | | Bolt, Thru | 2 |
| 103319 | | Washer, Thru Bolt Lock | 2 |
| 1850844 | | Drive Assembly, Motor (consisting of the following 8 parts) | 1 |
| 1863012 | | Gear & Shaft Assembly | 1 |
| 1849782 | | Sleeve, Service | 1 |
| 1848530 | | Head, Drive | 1 |
| 1850812 | | Spring, Drive | 1 |
| 1850811 | | Screw, Head Spring | 1 |
| 1850810 | | Screw, Shaft Spring | 1 |
| 805057 | | Washer, Lock | 2 |
| 1861234 | | Ring, Take-up | 1 |

0605 DISTRIBUTOR AND CONDENSER

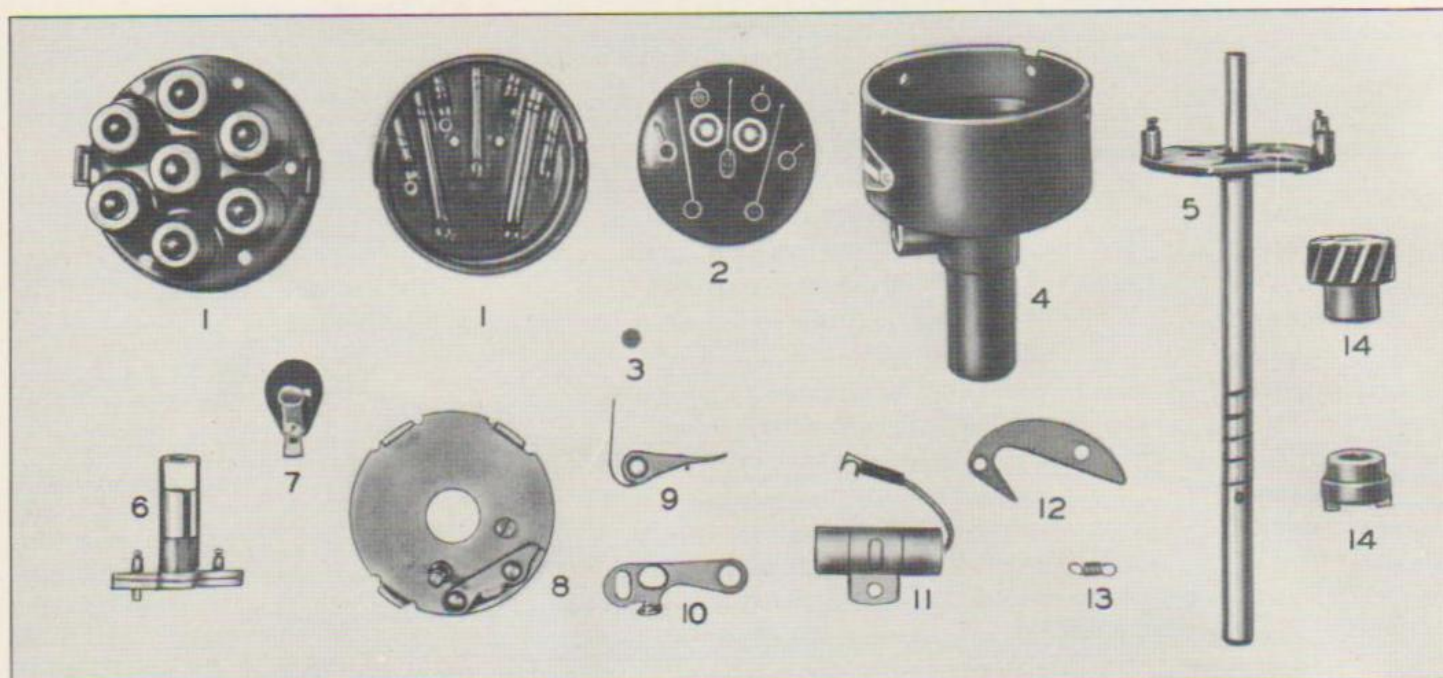
| | | |
|------------|--|---|
| 423 GB 316 | Distributor (EHU & EHUT) (Delco Remy #1110027) | 1 |
| 5 BG 268 | Distributor (EH & EHT) (Delco Remy #649-F) | 1 |

COMPONENT PARTS OF DISTRIBUTOR

| | | |
|---------|---|---|
| 1864867 | HOUSING, DISTRIBUTOR (For 5BG268 Distributor) | 1 |
| 1840004 | HOUSING, DISTRIBUTOR (For 423GB316 Distributor) | 1 |
| 1873290 | CAP, DISTRIBUTOR (For 423GB316 Distributor) | 1 |
| 824735 | CAP, DISTRIBUTOR (FOR 5BG268 Distributor) | 1 |
| 821604 | Button, Distributor Cap Carbon | 1 |
| 1860406 | Screw, Distributor Cap H.T. Terminal (Side) (For 423GB316 Distributor) | 6 |

| Group No. | Part No. | Description | No. Req'd |
|-----------|----------|-------------|-----------|
|-----------|----------|-------------|-----------|

0603 DISTRIBUTOR AND CONDENSER (Cont'd)



| Ref. No. | PART NAME | Govt. Group | Ref. No. | PART NAME | Govt. Group | Ref. No. | PART NAME | Govt. Group |
|----------|-------------------------------|-------------|----------|---------------------------|-------------|----------|---------------|-------------|
| 1. | Cap—Distributor | 0603 | 6. | Cam | 0603 | 11. | Condenser | 0603 |
| 2. | Cover—Distributor Cap | 0603 | 7. | Rotor | 0603 | 12. | Weight | 0603 |
| 3. | Button—Distributor Cap Carbon | 0603 | 8. | Plate—Breaker | 0603 | 13. | Spring—Weight | 0603 |
| 4. | Housing—Distributor | 0603 | 9. | Lever—Breaker | 0603 | 14. | Coupling | 0603 |
| 5. | Shaft and Weight Plate—Main | 0603 | 10. | Point and Support—Contact | 0603 | | | |

COMPONENT PARTS OF DISTRIBUTOR (Cont'd)

| | | |
|---------|---|---|
| 1860407 | Screw, Distributor Cap H.T. Terminal (Center) (For 423GB316 Distributor) | 1 |
| 1871838 | Spring, Distributor Cap | 2 |
| 1847289 | Support, Distributor Cap Spring | 2 |
| 115434 | Screw, Distributor Cap Spring Support | 2 |
| 106496 | Washer, Distributor Cap Spring Support Screw Lock | 2 |
| 820445 | ROTOR | 1 |
| 828522 | MAIN SHAFT & WEIGHT PLATE | 1 |
| 822938 | CAM (AUTOMATIC & BREAKER) | 1 |
| 816803 | Wick, Felt (In Cam) | 1 |
| 821150 | Plate, Breaker | 1 |
| 115607 | Screw, Breaker Plate Support | 1 |
| 106496 | Washer, Breaker Plate Support Screw Lock | 1 |
| 813245 | Clip, Breaker Lever Retainer | 1 |
| 813511 | Screw, Breaker Lever Spring | 1 |
| 810794 | Washer, Breaker Lever Spring Screw Plain | 1 |
| 816784 | Screw, Contact Adjusting | 1 |
| 1869704 | CONDENSER (For 423GB316 Distributor) | 1 |
| 829107 | CONDENSER (For 5BG268 Distributor) | 1 |
| 131951 | Screw, Condenser Attaching | 1 |
| 106496 | Washer, Condenser Attaching Screw Lock | 1 |
| 820528 | Weight | 2 |
| 1884136 | Spring, Weight | 2 |

| Group No. | Part No. | Description | No. Req'd |
|-----------|----------|-------------|-----------|
|-----------|----------|-------------|-----------|

0603 DISTRIBUTOR AND CONDENSER (Cont'd)

COMPONENT PARTS OF DISTRIBUTOR (Cont'd)

| | | | |
|-------------|--|---|--------|
| 811124 | | Washer, Weight | 2 |
| 811912 | | Washer, Space (Under Weight Plate) | 1 |
| 107715 | | Screw, Terminal (8-32x1) | 1 |
| 121841 | | Washer, Terminal Screw Lock | 1 |
| 821160 | | Bushing, Terminal Screw Insulation | 1 |
| 26153 | | Clamp, Terminal | 1 |
| 805579 | | Cup, Grease | 1 |
| 809673 | | Coupling | 1 |
| 810068 | | Pin, Coupling | 1 |
| 811912 | | Washer, Space (Under Coupling) | 1 |
| 810074 | | Washer, Shim (.005 thick) | AsReq. |
| 810078 | | Washer, Shim (.010 thick) | AsReq. |
| 45 SB 12 | | Contact Point Set (Delco Remy #1855720) consisting of 813238 Breaker Lever & 1848038 Contact Point & Support | 1 |
| | | * * * | |
| 132 GB 21A | | Bracket, Distributor | 1 |
| 56 AX 173 | | Gasket, Distributor (1-1/8") | 1 |
| 4 AX 5 | | Screw, Distributor Bracket & Cylinder Head (5/16"- 18 x 1") | 2 |
| 36 AX 2 | | Washer, Distributor Bracket & Cylinder Head Screw (5/16") | 2 |
| 457 GCA 111 | | Shaft & Collar Assembly, Distributor | 1 |
| 1 BC 1181A | | Collar (Upper), Distributor Shaft | 1 |
| 1 BC 1175A | | Collar (Lower), Distributor Shaft | 1 |
| 31 AX 102 | | Pin, Distributor Shaft Collar (3/16"x1-1/8") | 2 |
| 685 GC 12A | | Vacuum Advance Unit, Distributor (Delco Remy #1116027) | 1 |

COMPONENT PARTS OF DISTRIBUTOR VACUUM ADVANCE UNIT 685 GC 12A

| | | | |
|-----------|--|--|---|
| 1866952 | | Vacuum Control, less Bracket | |
| 1882440 | | Bracket | |
| 1841944 | | Arm, Clamp | |
| 114991 | | Screw, Clamp | |
| 802818 | | Nut, Clamp Screw | |
| 1865159 | | Screw, Clamp Arm to Control Rod | |
| 1865656 | | Coupling | |
| 1841901 | | Gasket, Coupling | |
| 1866955 | | Spring, Diaphragm | |
| 1883391 | | Lead Assembly | |
| 802760 | | Washer, Clamp Screw Lock | |
| 5024654 | | Nut, Clamp Arm to Control Rod Screw | |
| 106497 | | Washer, Clamp Arm to Control Rod Screw Lock | |
| 5024654 | | Nut, Mounting Bracket | |
| 106497 | | Washer, Mounting Bracket Nut Lock | |
| | | * * * | |
| 4 AX 36 | | Screw, Distributor Vacuum Advance Unit (1/4"-20x5/8") | 1 |
| 37 AX 230 | | Washer, Distributor Vacuum Advance Unit Screw (17/64") | 1 |
| 107 AX 13 | | Tube, Distributor Vacuum (Distributor to Governor) (1/4"x13) | 1 |
| 107 AX 9 | | Tube, Distributor Vacuum (Governor to Carburetor) (1/4"x9") | 1 |

0603
0604

| Group No. | Part No. | Description | No. Req'd |
|--|------------------------------------|--|-----------|
| 0603 | DISTRIBUTOR AND CONDENSER (Cont'd) | | |
| COMPONENT PARTS OF DISTRIBUTOR VACUUM ADVANCE UNIT - 685 GC 12A (Cont'd) | | | |
| 63 AX | 75 | Elbow, Distributor Vacuum Tube (Distributor to Governor) (1/8" x 1/4") | 2 |
| 63 AX | 75 | Elbow, Distributor Vacuum Tube (Governor to Carburetor) (1/8" x 1/4") | 2 |
| 5 BG | 197 | Terminal, Distributor (Delco Remy #1839164) | 7 |

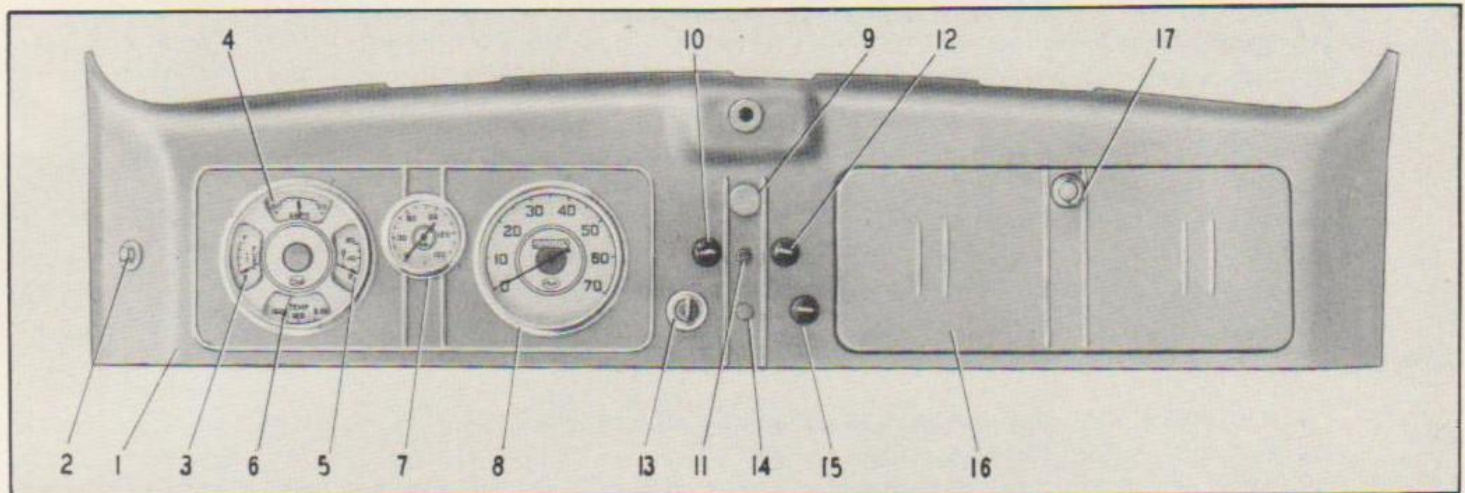
0604 IGNITION COIL, WIRING AND IGNITION SWITCH

| | | | |
|--------|-------|--|---|
| 35 AX | 246 | Spacer, Ignition Coil Mounting (17/64" I.D.) | 3 |
| 5 EH | 24A | Coil, Ignition (Models EH & EHT) | 1 |
| 10 MJ | 21 | Coil, Ignition (Models EHU & EHUT) | 1 |
| 1 AX | 8 | Screw, Ignition Coil (1/4"-28 x 5/8") | 3 |
| 20 AX | 1 | Nut, Ignition Coil Screw (1/4"-28) | 3 |
| 36 AX | 1 | Washer, Ignition Coil Screw (1/4" I.D.) | 3 |
| 5 BJ | 139 | Grommet, Ignition Coil Dash Sheet | 1 |
| 19 MR | 23 | Wire Assembly, Ignition (Models EHU & EHUT) | 1 |
| 224 AX | 17 | Wire, Spark Plug (#1 & #6) (Models EHU & EHUT) (7 M/M Wire - 17" long) | 2 |
| 224 AX | 11 | Wire, Spark Plug (#2 & #5) (Models EHU & EHUT) (7 M/M Wire - 11" long) | 2 |
| 224 AX | 10 | Wire, Spark Plug (#3 & #4) (Models EHU & EHUT) (7 M/M Wire - 10" long) | 2 |
| 19 MR | 22 | Wire Assembly, Ignition (Models EH & EHT) | 1 |
| 224 AX | 19 | Wire, Spark Plug (#1 & #6) (Models EH & EHT) (7 M/M Wire - 19" long) | 2 |
| 224 AX | 16 | Wire, Spark Plug (#2 & #5) (Models EH & EHT) (7 M/M Wire - 16" long) | 2 |
| 224 AX | 12 | Wire, Spark Plug (#3 & #4) (Models EH & EHT) (7 M/M Wire - 12" long) | 2 |
| 224 AX | 33 | Wire, Coil to Distributor (Models EHU & EHUT) (7 M/M Wire - 33" long) | 1 |
| 223 AX | 19 | Wire, Coil to Distributor (Models EH & EHT) (7 M/M Wire - 19" long) | 1 |
| 229 AX | 27 | Wire, Low Tension (Models EHU & EHUT) (7 M/M Wire - 27" long) | 1 |
| 229 AX | 21 | Wire, Low Tension (Models EH & EHT) (7 M/M Wire - 21" long) | 1 |
| 86 AX | 13 | Terminal, Spark Plug (For 7 M/M Wire) | 6 |
| 86 AX | 15 | Terminal, Distributor and Coil (For 7 M/M Wire) | 8 |
| 5 AB | 11280 | Insulator, Low Tension Wire Terminal | 2 |
| 86 AX | 7 | Terminal, Low Tension Wire (#14 Ga.) | 1 |
| 37 AX | 81 | Washer, Distributor (17/64" I.D.) | 2 |
| 78 MR | 11 | Clamp, Spark Plug Wire | 1 |
| 86 AX | 8 | Terminal, Low Tension Wire (#8-10) | 1 |
| 5 BG | 1180 | Ring, Spark Plug Wire | 2 |
| 5 BG | 1181 | Grommet, Spark Plug Wire | 1 |
| 5 EJ | 118 | Switch, Ignition Casing | 1 |
| 5 EJ | 120 | Cylinder, Locking (Ignition Switch) | 1 |
| 57 MT | 11 | Suppressor, Radio - Distributor | 1 |
| 58 MT | 11 | Suppressor, Radio - Spark Plug | 6 |
| 77 AX | 1 | Terminal, Spark Plug (Champion No. A-146) (#8-32) | 6 |

Group No. Part No. Description

No. Req'd

0605 INSTRUMENTS



| Ref. No. | PART NAME | Govt. Group | Ref. No. | PART NAME | Govt. Group | Ref. No. | PART NAME | Govt. Group |
|----------|-------------------------------|-------------|----------|-------------------------------|-------------|----------|--------------------------------|-------------|
| 1. | Board—Instrument (Air Brakes) | 1800 | 6. | Indicator—Temperature | 0605 | 12. | Control—Choke Wire | 0605 |
| 1. | Board—Instrument (BK Brakes) | 1800 | 7. | Gauge—Air | 0605 | 13. | Switch—Ignition Casing | 0604 |
| 2. | Button—Magnetic Starter | 0605 | 8. | Speedometer | 2203 | 14. | Plug—Instrument Board (Bottom) | 1800 |
| 3. | Gauge—Gas | 0605 | 9. | Plug—Instrument Board (Top) | 1800 | 15. | Control—Throttle | 0605 |
| 4. | Ammeter | 0605 | 10. | Rod—Lighting Switch Operating | 0606 | 16. | Door—Glove Compartment | 1800 |
| 5. | Gauge—Oil | 0605 | 11. | Lamp—Indicator (Red) | 0605 | 17. | Lock—Glove Compartment Door | 1800 |

| | | | | |
|-----|-----|--------|---|---|
| 5 | MTC | 31P1 | Gauge Cluster (Models EH & EHT) | 1 |
| 5 | MTC | 31P3 | Gauge Cluster (Models EHU & EHUT) | 1 |
| 15 | EH | 313-5 | Bezel, Gauge Cluster Glass | 1 |
| 15 | EH | 313-6 | Bracket, Gauge Cluster Mounting | 2 |
| 15 | EH | 313-7 | Stud, Gauge Cluster Mounting Bracket | 2 |
| 15 | EH | 313-8 | Nut, Gauge Cluster Mounting Bracket Stud | 2 |
| 15 | EH | 313-9 | Washer, Gauge Cluster Mounting Bracket Stud | 2 |
| 15 | EH | 313-9 | Washer, Gas Gauge Stud | 4 |
| 15 | EH | 313-10 | Socket Assembly, Lamp | 2 |
| 15 | EH | 313-11 | Base & Bracket Assembly, Lamp | 2 |
| 15 | EH | 313-12 | Screw, Lamp Socket Bracket & Gauge | 4 |
| 15 | EH | 313-14 | Washer, Ammeter Terminal Plain | 2 |
| 15 | EH | 313-15 | Washer, Ammeter Terminal Lock | 2 |
| 15 | EH | 313-16 | Nut, Ammeter Terminal | 2 |
| 15 | EH | 313-18 | Insulator, Gas Gauge Case (Models EH & EHT) | 1 |
| 15 | EH | 313-19 | Washer, Gas Gauge | 2 |
| 15 | EH | 313-20 | Washer, Gas Gauge Insulator | 2 |
| 15 | EH | 313-21 | Washer, Gas Gauge Stud Plain | 2 |
| 15 | EH | 313-22 | Nut, Gas Gauge Stud | 4 |
| 15 | EH | 313-26 | Nut, Oil Gauge Lock | 1 |
| 15 | EH | 313-27 | Washer, Oil Gauge Lock | 1 |
| 15 | EJ | 329-1 | Insulator, Case | 1 |
| 15 | EJ | 329-2 | Nut, Ammeter Pal | 2 |
| 15 | EJ | 329-3 | Case, Gauge Cluster | 1 |
| 15 | EJ | 329-6 | Ammeter | 1 |
| 15 | EJ | 329-7 | Gauge, Gas | 1 |
| 15 | EJ | 329-8 | Gauge, Oil | 1 |
| 15 | EJ | 329-9 | Temperature Indicator (Models EH & EHT) | 1 |
| 161 | SD | 11 | Temperature Indicator (Models EHT & EHUT) | 1 |
| 5 | AB | 1590 | Bulb, Instrument Board Light | 3 |
| 36 | MOC | 15P1 | Lamp, Indicator (Red) | 1 |

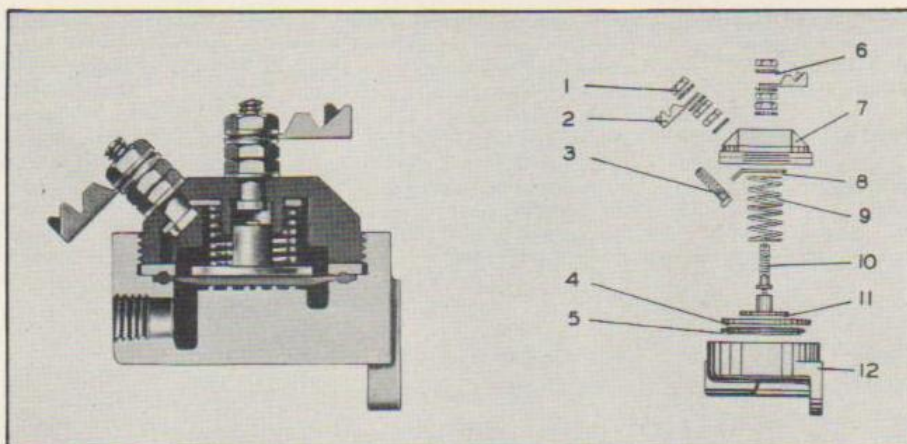
0605
0606

| Group No. | Part No. | Description | No. Req'd |
|--|--------------|--|-----------|
| 0605 INSTRUMENTS (Cont'd) | | | |
| | 41 MO 11 | Bulb, Miniature Bayonet | 1 |
| | 21 QBC 24P18 | Control, Throttle Wire (Models EH & EHT) | 1 |
| | 21 QBC 24P3 | Control, Choke Wire (Models EH & EHT) | 1 |
| | 21 QBC 24P17 | Control, Throttle (Models EHU & EHUT) | 1 |
| | 21 QBC 24P5 | Control, Choke (Models EHU & EHUT) | 1 |
| | 10 EJ 139 | Gauge, Air (Models EHT & EHUT) | 1 |
| | 5 EH 139 | Resistance, Gas Gauge | 1 |
| | 123 AX 40 | Nut, Ammeter Stud Pal (#14-24) | 2 |
| | 1 MR 18 | Button, Magnetic Starter (Models EHU & EHUT) | 1 |
| 0606 LIGHT SWITCHES, CABLES & WIRING HARNESS | | | |
| | 3 MR 22P1 | Rod, Lighting Switch Operating | 1 |
| | 1 MR 23 | Switch, Lighting | 1 |
| | 21 AX 263 | Nut, Lighting Switch Operating Rod (3/8"-24) | 1 |
| | 130 AX 202 | Screw, Lighting Switch Terminal (Headlamp) (#8-32 x 5/16") | 3 |
| | 130 AX 203 | Screw, Lighting Switch Terminal (Dash & Tail Lamp) (#8-32 x 3/8") | 1 |
| | 36 AX 39 | Washer, Lighting Switch Terminal (11/64" I.D.) | 4 |
| | 59 MT 11 | Condenser, Radio Generator & Ammeter | 2 |
| | 85 AX 39 | Fuse (30 Amp.) (Lighting) | 1 |
| | 41 MR 319 | Harness, Cab Wiring | 1 |
| | 41 MR 320 | Harness, Chassis Wiring (Models EH & EHT) | 1 |
| | 41 MR 321 | Harness, Chassis Wiring (Models EHU & EHUT) | 1 |
| | 83 AX 174 | Clamp, Wiring Harness (1/2" x 3") | 1 |
| | 52 MS 18 | Relay, Lighting Switch Load | 1 |
| | 5 AB 1117 | Grommet, Wiring Harness Dash | 2 |
| | 83 AX 104 | Fastener, Wiring Harness (Models EHU & EHUT) (17/32") | 5 |
| | 83 AX 104 | Fastener, Wiring Harness (Models EH & EHT) (17/32") | 2 |
| | 200 AX 5 | Loom, Wiring Harness (7/8" x 5") | 1 |
| | 83 AX 112 | Clamp, Wiring Harness (3/4") | 2 |
| | 83 AX 25 | Clamp, Wiring (108" & 114" W.B. - Model EHUT) (1/4") | 3 |
| | 83 AX 25 | Clamp, Wiring (162" W.B. - Model EHU) (1/4") | 4 |
| | 83 AX 25 | Clamp, Wiring (141" W.B. - Model EHT) (1/4") | 1 |
| | 83 AX 27 | Clamp, Wiring (5/16") | 6 |
| | 78 MR 11 | Clamp, Wiring (Small) | 5 |
| | 78 MR 12 | Clamp, Wiring (Large) | 6 |
| | 130 AX 229 | Screw, Wire Clamp (Models EHU & EHUT) (#10-24x1-1/2") | 4 |
| | 71 MR 13 | Block, Junction (Seal Beam) | 1 |
| | 71 MR 15 | Block, Junction (Seal Beam) | 1 |
| | 10 MR 18 | Block, Fuse (30 Amp.) | 1 |
| | 10 MR 17 | Block, Fuse (14 Amp.) (Horn & Stop Lite) | 1 |
| | 85 AX 1 | Fuse (20 Amp.) (Lighting & Windshield Wiper) (#5360) | 1 |
| | 85 AX 37 | Fuse (14 Amp.) | 1 |
| | 5 EH 140 | Connection, Three Wire (Stop & Tail Lamp) (Models EHT, EHU & EHUT) | 2 |
| | 4 AC 1375 | Ferrule, Trailer Connection (Tread Plate) (Models EHT & EHUT) | 1 |
| | 210 AX 120 | Cable, Trailer Connection (#16-6-120") (Models EHT & EHUT) | 1 |
| | 8 AX 16 | Screw, Electric Wire Clamp Mounting (#10-24x3/4") | 17 |
| | 36 AX 14 | Washer, Electric Wire Clamp Mounting Screw Lock (0.200 I.D.) | 17 |
| | 53 AX 1 | Nut, Electric Wire Clamp Mounting Screw (#10-24x1/8") | 17 |

| Group No. | Part No. | Description | No. Req'd |
|-----------|----------|-------------|-----------|
|-----------|----------|-------------|-----------|

0606 LIGHT SWITCHES, CABLES & WIRING HARNESS (Cont'd)

| | | | |
|--------|-------|--|---|
| 7 MR | 21P1 | Buzzer, Low Pressure Indicator (Models EHT & EHUT) | 1 |
| 174 AX | 59 | Wire, Magnetic Starter Switch(59") (Models EHU & EHUT)(#8) | 1 |
| 191 AX | 123 | Wire, Magnetic Starter to Push Button (123") (Models EHU & EHUT) (#14) | 1 |
| 191 AX | 10 | Wire, Ammeter to Magneto Switch (10") (Models EHU & EHUT) (#14) | 1 |
| 43 MR | 11 | Connection, Fuse Wire (Heater & Defroster) (Models EHU & EHUT) | 1 |
| 5 AB | 1386 | Fuse (10 Amp.) (Heater & Defroster) (Models EHU & EHUT) | 1 |
| 37 AX | 39 | Washer, Wire Clamp Screw (Models EHU & EHUT) (13/64" I.D.) | 6 |
| 114 AX | 56 | Loom, Horn Circuit (Models EHU & EHUT) (3/8"x56") | 1 |
| 213 AX | 60 | Wire, Horn (#10) | 1 |
| 83 AX | 64 | Clamp, Wiring Harness (Models EHU & EHUT) (1/2") | 2 |
| 37 AX | 39 | Washer, Wire Clamp Screw (Models EH & EHT) (13/64" I.D.) | 6 |
| 15 AB | 11361 | Grommet, Tail Lamp Rubber Wire | 1 |
| 86 AX | 16 | Terminal, Generator Wire (#10 Wire) | 2 |
| 5 CJ | 145 | Connection, Two Wire (Generator) | 1 |
| 5 CG | 114 | Switch, Stop & Tail Lamp (Models EH & EHU) | 1 |



| Ref. No. | PART NAME | Govt. Group | Ref. No. | PART NAME | Govt. Group | Ref. No. | PART NAME | Govt. Group |
|----------|----------------|-------------|----------|--------------------|-------------|----------|-----------------|-------------|
| 1. | Nut—Hex | 0606 | 5. | Diaphragm | 0606 | 9. | Spring | 0606 |
| 2. | Terminal | 0606 | 6. | Washer | 0606 | 10. | Screw—Terminal | 0606 |
| 3. | Screw—Terminal | 0606 | 7. | Cover | 0606 | 11. | Plunger—Contact | 0606 |
| 4. | Ring—Diaphragm | 0606 | 8. | Connector—Terminal | 0606 | 12. | Body | 0606 |

| | | | |
|------|-----|--|---|
| 5 CG | 140 | Switch, Stop & Tail Lamp (Models EHT & EHUT) | 1 |
|------|-----|--|---|

COMPONENT PARTS OF STOPLIGHT SWITCH - 5 CG 140

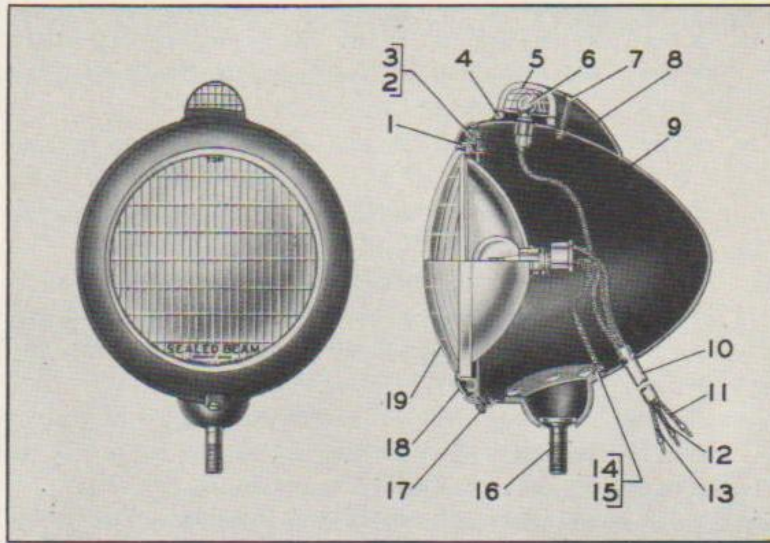
(Westinghouse #215537)

| | | |
|--------|---------------------|---|
| 203620 | Spring | 1 |
| 203382 | Ring, Diaphragm | 1 |
| 203623 | Screw, Terminal | 1 |
| 203621 | Cover | 1 |
| 203058 | Washer | 3 |
| 215959 | Screw, Terminal | 1 |
| 203059 | Nut, Hex. | 6 |
| 203063 | Terminal | 2 |
| 215538 | Plunger, Contact | 1 |
| 203381 | Diaphragm | 1 |
| 203380 | Body | 1 |
| 203622 | Connector, Terminal | 1 |

0607

| Group No. | Part No. | Description | No. Req'd |
|-----------|----------|-------------|-----------|
|-----------|----------|-------------|-----------|

0607 HEADLAMPS



| Ref. No. | PART NAME | Govt. Group | Ref. No. | PART NAME | Govt. Group | Ref. No. | PART NAME | Govt. Group |
|----------|--|-------------|----------|---|-------------|----------|--|-------------|
| 1. | Ring, Sealed Beam Unit Retainer | 0607 | 7. | Screw, Parking Lamp | 0607 | 13. | Wire, Low Beam Black. Not Furnished Separately | 0607 |
| 2. | Lockwasher, Sealed Beam Unit Retainer Ring Screw | 0607 | 8. | Hood, Parking Lamp | 0607 | 14. | Screw, Ground | 0607 |
| 3. | Screw, Sealed Beam Unit Retainer Ring | 0607 | 9. | Housing Assembly | 0607 | 15. | Lockwasher | 0607 |
| 4. | Gasket, Parking Lamp Lens | 0607 | 10. | Wire Assembly | 0607 | 16. | Bolt Mounting | 0607 |
| 5. | Lens, Parking | 0607 | 11. | Wire, High Beam Red. Not Furnished Separately | 0607 | 17. | Screw, Door | 0607 |
| 6. | Bulb | 0607 | 12. | Wire, Parking Lamp Yellow. Not Furnished Separately | 0607 | 18. | Door Assembly | 0607 |
| | | | | | | 19. | Sealed Beam Unit | 0607 |

| | | | | |
|-----|-----|------|---|---|
| 5 | EH | 140 | Connection, Headlamp (3 Wire) | 2 |
| 5 | CJ | 146 | Terminal, Headlamp Wire | 4 |
| 168 | AX | 90 | Cable, Headlamp Rubber (#16-3) | 1 |
| 1 | MR | 14 | Switch, Headlamp Foot Control | 1 |
| 4 | AX | 6 | Bolt, Headlamp Foot Control Switch (1/4"-20x1/2") | 2 |
| 22 | AX | 5 | Nut, Headlamp Foot Control Switch (1/4"-20) | 2 |
| 36 | AX | 1 | Washer, Headlamp Foot Control Switch (1/4") | 2 |
| 31 | MR | 11 | Insulator, Tiltray Switch Wire Terminal | 1 |
| 5 | EH | 32 | Bracket, Headlamp Frame RH | 1 |
| 5 | EH | 33 | Bracket, Headlamp Frame LH | 1 |
| 5 | MO | 33 | Bracket, Headlamp | 2 |
| 87 | AX | 7 | Grommet, Headlamp Wire Rubber (1/2") | 4 |
| 1 | AX | 42 | Bolt, Headlamp Frame Bracket (1/2"-20x1-1/4") | 4 |
| 20 | AX | 5 | Nut, Headlamp Frame Bracket Bolt (1/2"-20) | 4 |
| 36 | AX | 5 | Washer, Headlamp Frame Bracket Bolt (1/2") | 4 |
| 4 | AX | 41 | Bolt, Headlamp Bracket (3/8"-16x1-1/8") | 6 |
| 36 | AX | 3 | Washer, Headlamp Bracket Bolt (3/8") | 6 |
| 37 | AX | 66 | Washer, Headlamp Bracket Bolt (13/32") | 6 |
| 22 | AX | 23 | Nut, Headlamp Mounting (1/2"-13) | 2 |
| 36 | AX | 5 | Washer, Headlamp Mounting Nut (1/2") | 2 |
| 35 | AX | 791 | Washer, Headlamp Adjustment (9/16" I.D.) | 2 |
| 1 | AX | 126 | Bolt, Headlamp Mounting Bracket (1/4"-28x1") | 2 |
| 20 | AX | 1 | Nut, Headlamp Mounting Bracket (1/4"-28) | 2 |
| 36 | AX | 1 | Washer, Headlamp Mounting Bracket (1/4") | 2 |
| 5 | EH | 211 | Grommet, Headlamp Bracket | 2 |
| 2 | MOA | 33P9 | Headlamp (Sealed Beam - 6 Volt) | 2 |
| 102 | MO | 21P1 | Unit, Headlamp Sealed Beam (C.B. 10583) | 2 |

| Group No. | Part No. | Description | No. Req'd |
|-----------|----------|-------------|-----------|
|-----------|----------|-------------|-----------|

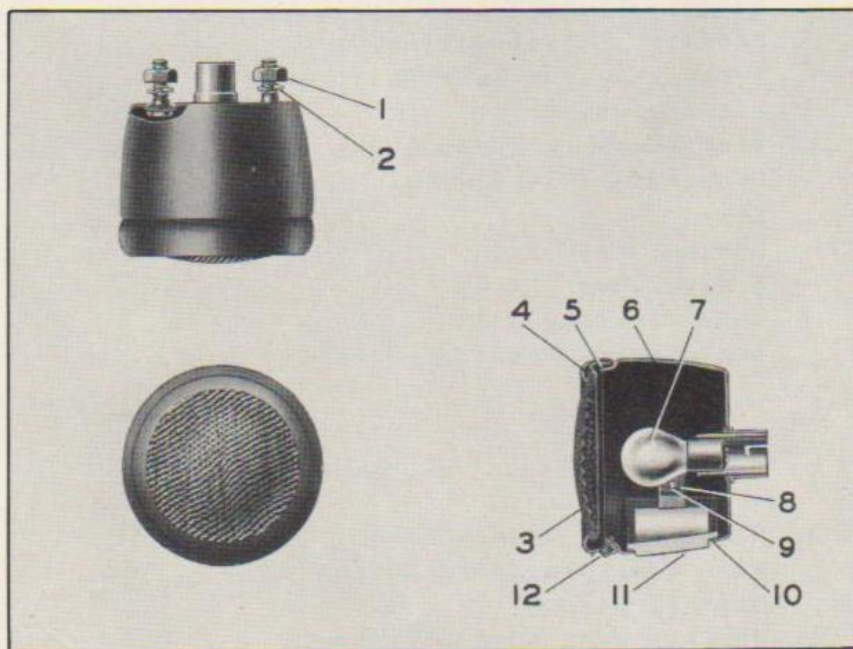
0607 HEADLAMPS (Cont'd)

COMPONENT PARTS OF HEADLAMP - 2 MOA 33P9

CORCORAN BROWN #CB-11401

| | | |
|-------------|---|---|
| CB-11402 | Housing Assembly (Olive Drab) | 1 |
| CB-394 | Bolt, Mounting | 1 |
| CB-395 | Retainer, Bolt | 1 |
| CB-6418 | Gasket, Parking Lamp Lens | 1 |
| CB-6412 | Lens, Parking | 1 |
| CB-11405 | Hood, Parking Lamp (Olive Drab) | 1 |
| CB-6301 | Screw, Parking Lamp | 1 |
| CB-6385 | Ring, Sealed Beam Unit Retainer | 1 |
| CB-5777 | Screw, Sealed Beam Unit Retainer Ring | 4 |
| CB-296 | Lockwasher, Sealed Beam Unit Retainer Ring Screw | 4 |
| CB-7830 | Wire Assembly (Complete) | 1 |
| CB-6388 | Screw, Ground | 1 |
| CB-303 | Lockwasher | 1 |
| CB-8259 | Door Assembly (Olive Drab) | 1 |
| CB-4533 | Screw, Door | 1 |
| 102 MO 21P1 | Unit, Headlamp Sealed Beam (Corcoran Brown#10583) | 1 |

0608 STOP, TAIL & AUXILIARY LAMP



| Ref. No. | PART NAME | Govt. Group | Ref. No. | PART NAME | Govt. Group | Ref. No. | PART NAME | Govt. Group |
|----------|------------|-------------|----------|--------------------------|-------------|----------|------------------------------|-------------|
| 1. | Nut | 0608 | 5. | Spring, Lens | 0608 | 9. | Screw, License Lens Retainer | 0608 |
| 2. | Lockwasher | 0608 | 6. | Housing Sub-Assembly | 0608 | 10. | Gasket, License Lens | 0608 |
| 3. | Lens | 0608 | 7. | Bulb, Stop and Tail Lamp | 0608 | 11. | Lens, License | 0608 |
| 4. | Door | 0608 | 8. | Retainer, License Lens | 0608 | 12. | Screw, Door | 0608 |

| | | |
|------------|--|---|
| 14 MO 27P1 | Lamp, Stop & Tail (With Bulb) | 1 |
| 5 EH 110 | Bulb, Stop & Tail Lamp | 1 |
| 5 EH 25 | Bracket, Stop & Tail Lamp | 1 |
| 1 AX 19 | Bolt, Stop & Tail Lamp Bracket (5/16"-24 x 7/8") | 2 |
| 20 AX 2 | Nut, Stop & Tail Lamp Bracket Bolt (5/16"-24) | 2 |
| 36 AX 2 | Washer, Stop & Tail Lamp Bracket Bolt (5/16") | 2 |

| Group No. | Part No. | Description | No. Req'd |
|-----------|--------------------------------------|---|-----------|
| 0608 | STOP, TAIL & AUXILIARY LAMP (Cont'd) | | |
| | 87 AX 7 | Grommet, Stop & Tail Lamp Wire (3/16") | 1 |
| | 5 EH 18 | Plug, Stop & Tail Lamp | 1 |
| | 5 EH 160 | Terminal, Stop & Tail Wire | 1 |
| | 5 BG 3130 | Bracket, Tail Light Mounting (EHT) | 1 |
| | 73 AX 12 | Ferrule, Stop & Tail Lamp Wire #24 | 1 |
| | 5 CJ 145 | Connection, Stop & Tail Lamp Two Wire (EHT) | 4 |
| | 5 AB 11280 | Insulator, Stop Light Switch Wire Terminal (EHT) | 1 |
| | 86 AX 17 | Terminal, Stop Light Switch Wire (EHT) (5/32" Hole) | 1 |
| | 44 MOAC 21P2 | Cable Assembly, Stop & Tail Lamp Rubber (EHT-141" WB) | 1 |
| | 44 MOAC 21P3 | Cable Assembly, Stop & Tail Lamp Rubber (EHT-146" WB) | 1 |
| | 5 BG 1170 | Bulb, Dome Lamp | 1 |
| | 5 EH 133 | Lamp, Dome | 1 |
| | 75 AX 270 | Screw, Dome Lamp Mounting | 3 |
| | 23 MO 31 | Plate, Dome Lamp Mounting | 1 |

COMPONENT PARTS OF STOP AND TAIL LAMP 14 MOA 27P1

CORCORAN BROWN #CB-11426

| | | |
|---------|--|---|
| CB-5058 | Housing Assembly (Complete) (Olive Drab) | 1 |
| CB-5059 | Housing Sub Assembly (Olive Drab) | 1 |
| CB-425 | Lens, License | 1 |
| CB-368 | Gasket, License Lens | 1 |
| CB-346 | Retainer, License Lens | 2 |
| CB-145 | Screw, License Lens Retainer | 2 |
| CB-9161 | Washer, Rubber | 1 |
| CB-1090 | Door Assembly (With Lens) (Olive Drab) | 1 |
| CB-1089 | Door only (Olive Drab) | 1 |
| CB-700 | Lens | 1 |
| CB-258 | Spring, Lens | 3 |
| CB-145 | Screw, Door | 1 |
| CB-243 | Nut, Mounting Bolt | 2 |
| CB-298 | Lockwasher, Mounting Bolt | 2 |

0609 HORN

| | | |
|------------|--|---|
| 38 MR 33P1 | Horn (6 Volt) | 1 |
| 60 MR 14P1 | Plate, Horn Button Name | 1 |
| 39 MR 18P1 | Wire Complete, Horn Button | 1 |
| 10 EJR 27 | Button, Horn | 1 |
| 10 EJR 28 | Spring, Horn Button Contact | 1 |
| 10 EJR 29 | Cap, Horn Button Contact (Upper) | 1 |
| 10 EJR 30 | Segments, Horn Button Base Plate & Retaining | 1 |
| 10 EJR 31 | Screws, Horn Button Wood | 3 |
| 5 EH 132-4 | Cap, Horn Button Contact (Lower) | 1 |
| 5 EH 132-5 | Ferrule, Horn Button Insulating | 1 |
| 5 EH 132-6 | Spring, Horn Button | 1 |
| 5 EH 132-7 | Washer, Horn Button Contact | 1 |
| 35 MRA 120 | Bracket Horn Mounting | 1 |
| 5 CJ 146 | Terminal, Horn Wire | 1 |
| 134 AX 58 | Wire, Horn Tracer (EH & EHT) (58") | 1 |
| 134 AX 60 | Wire, Horn Tracer (EHU & EHUT) (60") | 1 |
| 1 AX 129 | Screw, Horn Mounting (Upper) (1/2"-20x1") | 1 |
| 20 AX 5 | Nut, Horn Mounting (Upper) (1/2"-20x13/16") | 1 |
| 36 AX 5 | Washer, Horn Mounting (Upper) (1/2") | 1 |

| Group No. | Part No. | Description | No. Req'd |
|-----------|---------------|---|-----------|
| 0609 | HORN (Cont'd) | | |
| 1 AX | 374 | Screw, Horn Mounting (Lower) (1/4"-28x3/4") | 1 |
| 20 AX | 1 | Nut, Horn Mounting (Lower) (1/4"-28x3/4") | 1 |
| 36 AX | 1 | Washer, Horn Mounting (Lower) (1/4") | 1 |
| 1 AX | 161 | Bolt, Horn Mounting (7/16"-20x15/16") | 1 |
| 20 AX | 4 | Nut, Horn Mounting Bolt (7/16"-20) | 1 |
| 36 AX | 4 | Washer, Horn Mounting Bolt Nut (0.453") | 1 |

0610 STARTING CABLES & CONNECTIONS

| | | | |
|--------|-------|---|---|
| 46 MKA | 21P17 | Cable, Starting Switch to Battery (EH & EHT) | 1 |
| 46 MKA | 21P8 | Cable, Starting Switch to Starting Motor (EH & EHT) | 1 |
| 46 MKA | 21P11 | Cable, Starting Switch to Battery (EHU & EHUT) | 1 |
| 46 MKA | 21P4 | Cable, Starting Switch to Starting Motor (EHU & EHUT) | 1 |
| 28 MK | 11P2 | Strap, Battery Ground (EHU & EHUT) | 1 |
| 28 MK | 11P5 | Strap, Battery Ground (EH & EHT) | 1 |

0612 RADIO SUPPRESSION EQUIPMENT

| | | | |
|-------|----|---------------------------------------|---|
| 57 MT | 11 | Suppressor, Distributor | 1 |
| 58 MT | 11 | Suppressors, Spark Plug | 6 |
| 59 MT | 11 | Condensers, Radio Generator & Ammeter | 2 |
| 77 AX | 1 | Terminals, Spark Plug | 6 |

| Group No. | Part No. | Description | No. Req'd |
|-----------|----------|-------------|-----------|
|-----------|----------|-------------|-----------|

07 - TRANSMISSION

0700 TRANSMISSION ASSEMBLY

| | | | |
|----|-------------|--|---|
| 11 | KBA 5111P1 | Transmission Assembly (TR30 Direct EH) | 1 |
| 11 | KBA 5112P1 | Transmission Assembly (TR30 Overdrive EH, EHU) | 1 |
| 11 | KBA 5113P1 | Transmission Assembly (TR31 Direct EHUT) | 1 |
| 11 | KBA 5114P1 | Transmission Assembly (TR31 Overdrive EHT, EHUT) | 1 |
| 11 | KBA 5115AP1 | Transmission Assembly (TRD31 Direct EH) | 1 |
| 11 | KBA 5116AP1 | Transmission Assembly (TRD31 Overdrive EHT) | 1 |

Refer to Page 82 for Chassis Serial Numbers and Transmission Assembly Numbers.

0701 TRANSMISSION CASE

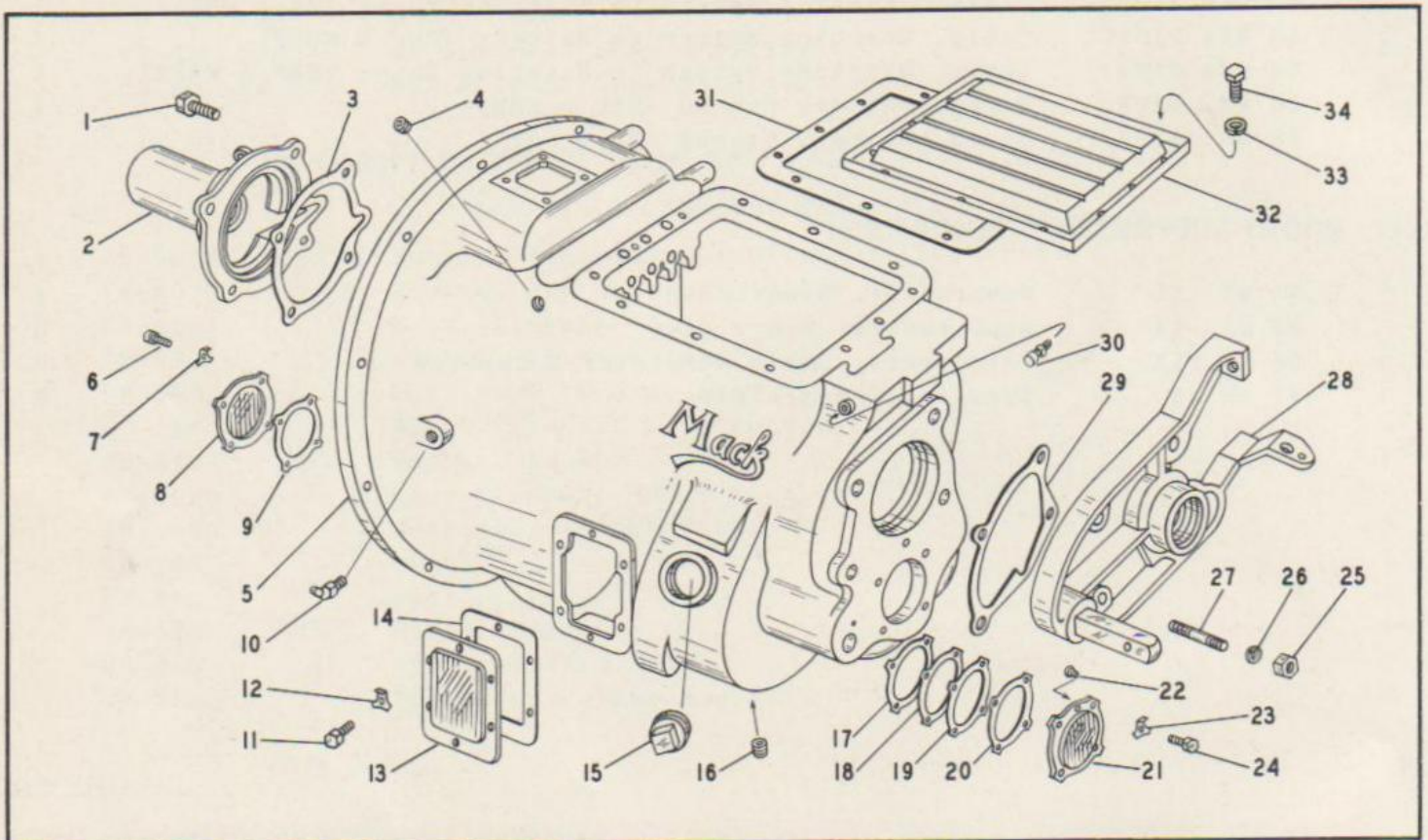


Illustration covers parts listed in columns 1 and 2.

| Ref. No. | PART NAME | Govt. Group | Ref. No. | PART NAME | Govt. Group | Ref. No. | PART NAME | Govt. Group |
|----------|---|-------------|----------|--|-------------|----------|---|-------------|
| 1. | Screw—Main Drive Pinion Bearing Cover | 0701 | 12. | Lockwasher—Power Take Off Cover Screw | 0701 | 23. | Lockwasher—Countershaft Rear Bearing Cover Screw | 0701 |
| 2. | Cover—Main Driving Pinion Bearing | 0701 | 13. | Cover—Power Take Off | 0701 | 24. | Screw—Countershaft Rear Bearing Cover | 0701 |
| 3. | Gasket—Main Drive Pinion Bearing Cover | 0701 | 14. | Gasket—Power Take Off Cover | 0701 | 25. | Nut—Spline Shaft Rear Bearing Cover Stud | 0701 |
| 4. | Plug—Interlock | 0701 | 15. | Plug—Transmission Case Filler | 0701 | 26. | Lockwasher—Spline Shaft Rear Bearing Cover Stud Nut | 0701 |
| 5. | Case Assembly—Transmission | 0701 | 16. | Plug—Transmission Case Drain | 0701 | 27. | Stud—Spline Shaft Rear Bearing Cover | 0701 |
| 6. | Screw—Countershaft Front Bearing Cover | 0701 | 17. | Shim—Countershaft Rear Bearing | 0701 | 28. | Cover Assembly—Spline Shaft Rear Bearing | 0701 |
| 7. | Lockwasher—Countershaft Front Bearing Cover Screw | 0701 | 18. | Shim—Countershaft Rear Bearing | 0701 | 29. | Gasket—Spline Shaft Rear Bearing Cover | 0701 |
| 8. | Cover—Countershaft Front Bearing | 0701 | 19. | Shim—Countershaft Rear Bearing | 0701 | 30. | Breather Assembly | 0701 |
| 9. | Gasket—Countershaft Front Bearing Cover | 0701 | 20. | Shim—Countershaft Rear Bearing | 0701 | 31. | Gasket—Shifter Shaft Cover | 0701 |
| 10. | Fitting—Clutch Throwout Shaft Alemite | 0203 | 21. | Cover—Countershaft Rear Bearing | 0701 | 32. | Cover—Shifter Shaft | 0701 |
| 11. | Screw—Power Take Off Cover | 0701 | 22. | Pin—Countershaft Rear Bearing Cup Lock | 0701 | 33. | Lockwasher—Shifter Shaft Cover Screw | 0701 |
| | | | | | | 34. | Screw—Shifter Shaft Cover | 0701 |

| Group No. | Part No. | Description | No. Req'd | | |
|---|-------------|----------------------------|-----------|--------|--------|
| | | | Col. 1 | Col. 2 | Col. 3 |
| COLUMN #1 - TR30 TRANSMISSION - 11KBA5111P1, 11KBA5112P1 | | | | | |
| COLUMN #2 - TR31 TRANSMISSION - 11KBA5113P1, 11KBA5114P1 | | | | | |
| COLUMN #3 - TRD31 TRANSMISSION - 11KBA5115AP1, 11KBA5116AP1 | | | | | |
| 0701 TRANSMISSION CASE (Cont'd) | | | | | |
| | 284 KBA 211 | Transmission Case Assembly | 1 | - | - |
| | 284 KBA 212 | Transmission Case Assembly | - | 1 | - |
| | 284 KBA 215 | Transmission Case Assembly | - | - | 1 |

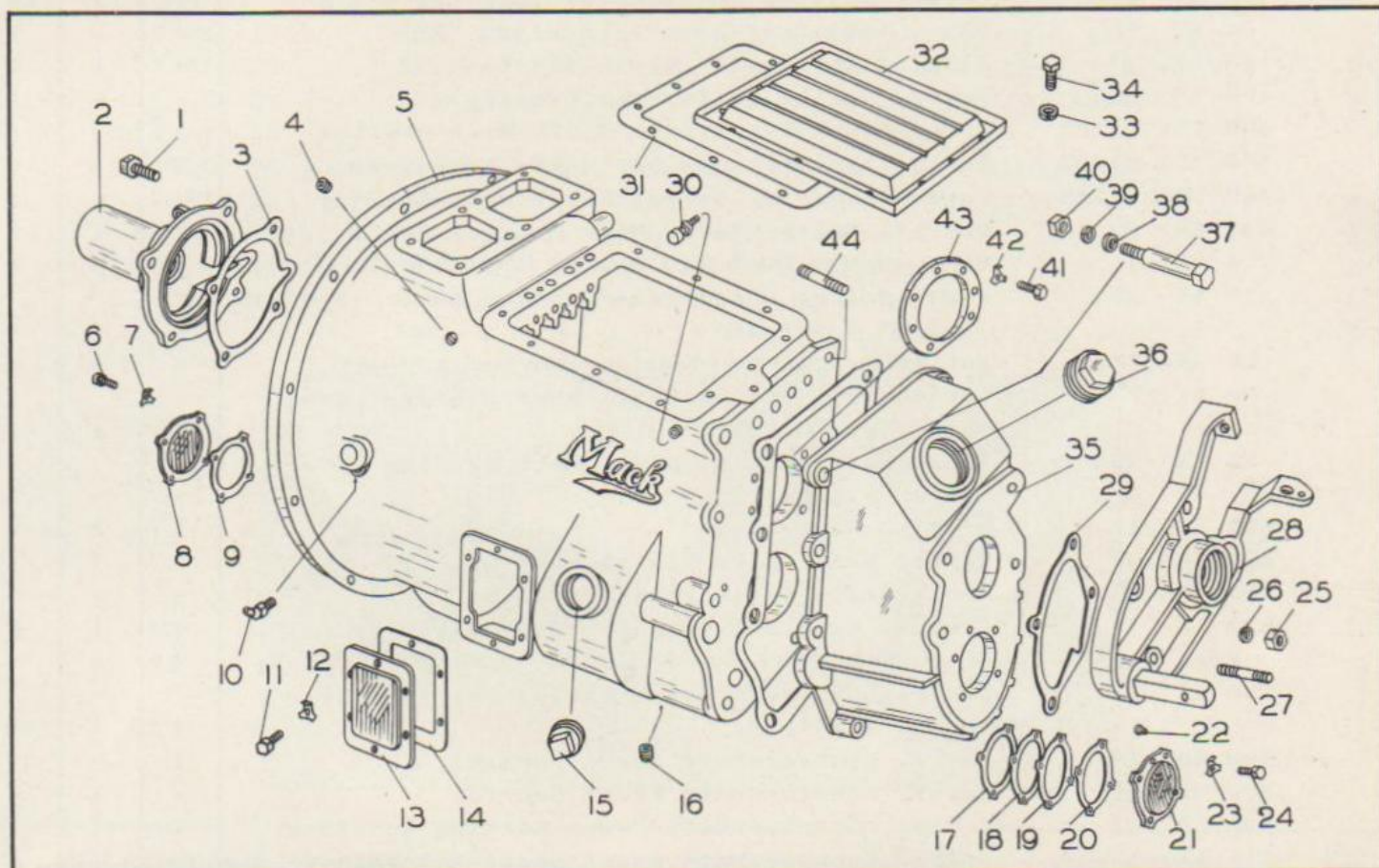


Illustration covers parts listed in column 3.

| Ref. No. | PART NAME | Govt. Group | Ref. No. | PART NAME | Govt. Group | Ref. No. | PART NAME | Govt. Group |
|----------|---|-------------|----------|---|-------------|----------|--|-------------|
| 1. | Screw—Main Drive Pinion Bearing Cover | 0701 | 16. | Plug—Transmission Case Drain | 0701 | 31. | Gasket—Shifter Shaft Cover | 0701 |
| 2. | Cover—Main Drive Pinion Bearing | 0701 | 17. | Shim—Countershaft Rear Bearing | 0701 | 32. | Cover—Shifter Shaft | 0701 |
| 3. | Gasket—Main Drive Pinion Bearing Cover | 0701 | 18. | Shim—Countershaft Rear Bearing | 0701 | 33. | Lockwasher—Shifter Shaft Cover Screw | 0701 |
| 4. | Plug—Interlock | 0701 | 19. | Shim—Countershaft Rear Bearing | 0701 | 34. | Screw—Shifter Shaft Cover | 0701 |
| 5. | Case Assembly—Transmission | 0701 | 20. | Shim—Countershaft Rear Bearing | 0701 | 35. | Case Assembly—Auxiliary Gear | 0701 |
| 6. | Screw—Countershaft Front Bearing Cover | 0701 | 21. | Cover—Countershaft Rear Bearing | 0701 | 36. | Plug—Auxiliary Gear Case Inspection | 0701 |
| 7. | Lockwasher—Countershaft Front Bearing Cover Screw | 0701 | 22. | Pin—Countershaft Rear Bearing Cup Lock | 0701 | 37. | Bolt—Auxiliary Gear Case Dowel | 0701 |
| 8. | Cover—Countershaft Front Bearing | 0701 | 23. | Lockwasher—Countershaft Rear Bearing Cover Screw | 0701 | 38. | Washer—Auxiliary Gear Case Dowel Bolt | 0701 |
| 9. | Gasket—Countershaft Front Bearing Cover | 0701 | 24. | Screw—Countershaft Rear Bearing Cover | 0701 | 39. | Lockwasher—Auxiliary Gear Case Dowel Bolt | 0701 |
| 10. | Fitting—Clutch Throwout Shaft Alemite | 0203 | 25. | Nut—Spline Shaft Rear Bearing Cover Stud | 0701 | 40. | Nut—Auxiliary Gear Case Dowel Bolt | 0701 |
| 11. | Screw—Power Take Off Cover | 0701 | 26. | Lockwasher—Spline Shaft Rear Bearing Cover Stud Nut | 0701 | 41. | Screw—Spline Shaft Rear Bearing Cover | 0701 |
| 12. | Lockwasher—Power Take Off Cover Screw | 0701 | 27. | Stud—Spline Shaft Rear Bearing Cover | 0701 | 42. | Lockwasher—Spline Shaft Rear Bearing Cover Screw | 0701 |
| 13. | Cover—Power Take Off | 0701 | 28. | Cover Assembly—Spline Shaft Rear Bearing | 0701 | 43. | Cover—Spline Shaft Rear Bearing | 0701 |
| 14. | Gasket—Power Take Off Cover | 0701 | 29. | Gasket—Spline Shaft Rear Bearing Cover | 0701 | 44. | Stud—Auxiliary Transmission Case | 0701 |
| 15. | Plug—Transmission Case Filler | 0701 | 30. | Breather Assembly | 0701 | | | |

| Group No. | Part No. | Description | No. Req'd | | |
|---|----------|--|-----------|--------|--------|
| | | | Col. 1 | Col. 2 | Col. 3 |
| COLUMN #1 - TR30 TRANSMISSION - 11KBA5111P1, 11KBA5112P1 | | | | | |
| COLUMN #2 - TR31 TRANSMISSION - 11KBA5113P1, 11KBA5114P1 | | | | | |
| COLUMN #3 - TRD31 TRANSMISSION - 11KBA5115AP1, 11KBA5116AP1 | | | | | |
| 0701 TRANSMISSION CASE (Cont'd) | | | | | |
| 281 KBA | 21 | Case Assembly, Auxiliary Gear | - | - | 1 |
| 405 KB | 36 | Cover, Shifter Shaft | 1 | 1 | 1 |
| 640 KB | 21 | Gasket, Shifter Shaft Cover | 1 | 1 | 1 |
| 400 AX | 1 | Screw, Shifter Shaft Cover (3/8"-16 x 5/8") | 12 | 12 | 12 |
| 63 AX | 78 | Plug, Auxiliary Case Inspection (2") | - | - | 1 |
| 63 AX | 27 | Plug, Transmission Drain (3/4") | 1 | 1 | 1 |
| 406 KB | 29 | Cover, Spline Shaft Rear Bearing | - | - | 1 |
| 406 KBA | 311P2 | Cover Assembly, Spline Shaft Rear Bearing | 1 | - | - |
| 406 KBA | 312P2 | Cover Assembly, Spline Shaft Rear Bearing | - | 1 | - |
| 406 KBA | 313P2 | Cover Assembly, Spline Shaft Rear Bearing | - | - | 1 |
| 645 KB | 22 | Gasket, Spline Shaft Rear Bearing Cover | 1 | 1 | 1 |
| 4 AX | 1 | Screw, Spline Shaft Rear Bearing Cover(3/8"-16x1") | - | - | 7 |
| 16 AX | 393 | Stud, Spline Shaft Rear Bearing Cover (5/8"-18 x 5/8" x 2-3/16") | 4 | 4 | 4 |
| 20 AX | 7 | Nut, Spline Shaft Rear Bearing Cover Stud(5/8"-18") | 4 | 4 | 4 |
| 36 AX | 7 | Lockwasher, Spline Shaft Rear Bearing Cover Stud Nut (0.655) | 4 | 4 | 4 |
| 35 AX | 295 | Lockwasher, Spline Shaft Rear Bearing Cover Screw (25/64") | - | - | 7 |
| 541 KBA | 12 | Breather Assembly | 1 | 1 | 1 |
| 403 KB | 26 | Cover, Main Drive Pinion Bearing | 1 | 1 | - |
| 403 KB | 27 | Cover, Main Drive Pinion Bearing | - | - | 1 |
| 633 KB | 11 | Gasket, Main Drive Pinion Bearing Cover | 1 | 1 | 1 |
| 4 AX | 1 | Screw, Main Drive Pinion Bearing Cover(3/8"-16x1") | 4 | 4 | 4 |
| 36 AX | 3 | Lockwasher, Main Drive Pinion Bearing Cover Screw (3/8") | 4 | 4 | 4 |
| 400 KB | 22 | Cover, Countershaft Front Bearing | 1 | - | - |
| 400 KB | 11 | Cover, Countershaft Front Bearing | - | 1 | 1 |
| 627 KB | 11 | Gasket, Countershaft Front Bearing Retainer | 1 | 1 | 1 |
| 4 AX | 1 | Screw, Countershaft Front Bearing Retainer (3/8"-16 x 1") | 4 | 4 | 4 |
| 35 AX | 295 | Lockwasher, Countershaft Front Bearing Retainer Screw (25/64") | 4 | 4 | 4 |
| 8 AB | 235 | Cover, Power Take Off | 2 | 2 | 2 |
| 8 AB | 177 | Gasket, Power Take Off Cover | 2 | 2 | 2 |
| 4 AX | 34 | Screw, Power Take Off Cover (3/8"-16 x 5/8") | 12 | 12 | 12 |
| 35 AX | 295 | Lockwasher, Power Take Off Cover Screw (25/64") | 12 | 12 | 12 |
| 63 AX | 51 | Plug, Interlock (1/2") | 1 | 1 | 1 |
| 63 AX | 575 | Plug, Transmission Case Filler (1-1/4") | 1 | 1 | 1 |
| 90 KB | 12 | Bolt, Auxiliary Case Dowel | - | - | 2 |
| 20 AX | 5 | Nut, Auxiliary Case Dowel (1/2"-20) | - | - | 2 |
| 36 AX | 5 | Lockwasher, Auxiliary Case Dowel Bolt (0.515) | - | - | 2 |
| 37 AX | 10 | Washer, Auxiliary Case Dowel Bolt (33/64") | - | - | 2 |
| 617 KB | 33 | Gasket, Auxiliary Transmission Case | - | - | 1 |
| 16 AX | 1 | Stud, Auxiliary Transmission Case (1/2"-20 x 1/2"-13 x 2-3/8") | - | - | 6 |
| 20 AX | 5 | Nut, Auxiliary Transmission Case Stud (1/2"-20) | - | - | 6 |
| 36 AX | 5 | Lockwasher, Auxiliary Transmission Case Stud (0.515) | - | - | 6 |
| 399 KBA | 14 | Cover Assembly, Countershaft Rear Bearing | - | 1 | 1 |
| 399 KBA | 15 | Cover Assembly, Countershaft Rear Bearing | 1 | - | - |

| Group No. | Part No. | Description | No. Req'd | | |
|---|-------------|--|-----------|--------|--------|
| | | | Col. 1 | Col. 2 | Col. 3 |
| COLUMN #1 - TR30 TRANSMISSION - 11KBA5111P1, 11KBA5112P1 | | | | | |
| COLUMN #2 - TR31 TRANSMISSION - 11KBA5113P1, 11KBA5114P1 | | | | | |
| COLUMN #3 - TRD31 TRANSMISSION - 11KBA5115AP1, 11KBA5116AP1 | | | | | |
| 0701 TRANSMISSION CASE (Cont'd) | | | | | |
| | 745 KC 11 | Shim, Countershaft Rear Bearing (.0123) | As | Req'd. | |
| | 745 KC 12 | Shim, Countershaft Rear Bearing (.0153) | As | Req'd. | |
| | 745 KC 13 | Shim, Countershaft Rear Bearing (.0184) | As | Req'd. | |
| | 745 KC 14 | Shim, Countershaft Rear Bearing (.0306) | As | Req'd. | |
| | 309 KC 12 | Pin, Bearing Cup Lock | 1 | 1 | - |
| | 4 AX 1 | Screw, Countershaft Rear Bearing Cover(3/8"-16x1") | 4 | 4 | 4 |
| | 35 AX 295 | Lockwasher, Countershaft Rear Bearing Cover Screw (25/64") | 4 | 4 | 4 |
| 0703 MAIN DRIVE PINION AND BEARINGS | | | | | |
| | 19 KBA 170 | Pinion, Main Drive - and Constant Mesh Countershaft Gear - Mated - Std. | 1 | - | - |
| | 19 KBA 165 | Pinion, Main Drive - and Constant Mesh Countershaft Gear - Mated - Overdrive | 1 | - | - |
| | 19 KBA 149A | Pinion, Main Drive - and Constant Mesh Countershaft Gear - Mated - Std. | - | 1 | 1 |
| | 19 KBA 150A | Pinion, Main Drive - and Constant Mesh Countershaft Gear - Mated - Overdrive | - | 1 | 1 |
| | 46 AX 302 | Bearing, Main Drive Pinion (SKF 6308ZNR) | 1 | - | - |
| | 46 AX 322 | Bearing, Main Drive Pinion (SKF 6309ZNR) | - | 1 | 1 |
| | 21 AX 284 | Nut, Main Drive Pinion Bearing (1-9/16"-16) | 1 | 1 | 1 |
| 0704 MAIN SHAFT, COUNTERSHAFT AND GEARS AND REVERSE IDLER GEARS | | | | | |
| | 615 KC 22B | Shaft, Spline | 1 | - | - |
| | 615 KC 21B | Shaft, Spline | - | 1 | - |
| | 764 KB 331A | Pinion, Auxiliary Main Drive | - | - | 1 |
| | 601 KC 21A | Shaft, Auxiliary Spline | - | - | 1 |
| | 605 KC 21 | Countershaft | 1 | - | - |
| | 605 KC 22 | Countershaft | - | 1 | - |
| | 605 KC 23 | Countershaft | - | - | 1 |
| | 757 KB 22 | Gear, Power Take Off | 1 | - | - |
| | 757 KB 23 | Gear, Power Take Off | - | 1 | 1 |
| | 19 KBA 163 | Gear, -Fourth Speed Countershaft and Spline Shaft - Assembly - Std. | 1 | - | - |
| | 19 KBA 172 | Gear, -Fourth Speed Countershaft and Spline Shaft - Assembly - Overdrive | 1 | - | - |
| | 19 KBA 167 | Gear - Fourth Speed Countershaft and Spline Shaft - Assembly - Std. | - | 1 | 1 |
| | 19 KBA 169 | Gear - Overspeed Countershaft and Spline Shaft - Assembly - Overdrive | - | 1 | 1 |
| | 19 KBA 179 | Gear - Third Speed Countershaft and Spline Shaft - Assembly - Std. | 1 | - | - |
| | 19 KBA 178 | Gear - Third Speed Countershaft and Spline Shaft - Assembly - Overdrive | 1 | - | - |
| | 19 KBA 166 | Gear - Third Speed Countershaft and Spline Shaft - Assembly - Std. | - | 1 | 1 |
| | 19 KBA 168 | Gear - Third Speed Countershaft and Spline Shaft - Assembly - Overdrive | - | 1 | 1 |
| | 738 KB 21A | Gear, Second Speed Sliding | 1 | - | - |

| Group No. | Part No. | Description | No. Req'd | | |
|--|----------|----------------------------|-----------|--------|--------|
| | | | Col. 1 | Col. 2 | Col. 3 |
| COLUMN #1 - TR30 TRANSMISSION - 11KBA5111P1, 11KBA5112P1 | | | | | |
| COLUMN #2 - TR31 TRANSMISSION - 11KBA5113P1, 11KBA5114P1 | | | | | |
| COLUMN #3 - TRD31 TRANSMISSION - 11KBA5115AP1, 11KBA5116AP1 | | | | | |
| 0704 MAIN SHAFT, COUNTERSHAFT AND GEARS AND REVERSE IDLER GEARS (Cont'd) | | | | | |
| 738 KB | 22A | Gear, Second Speed Sliding | - | 1 | 1 |
| 736 KB | 21A | Gear, First Speed Sliding | 1 | - | - |

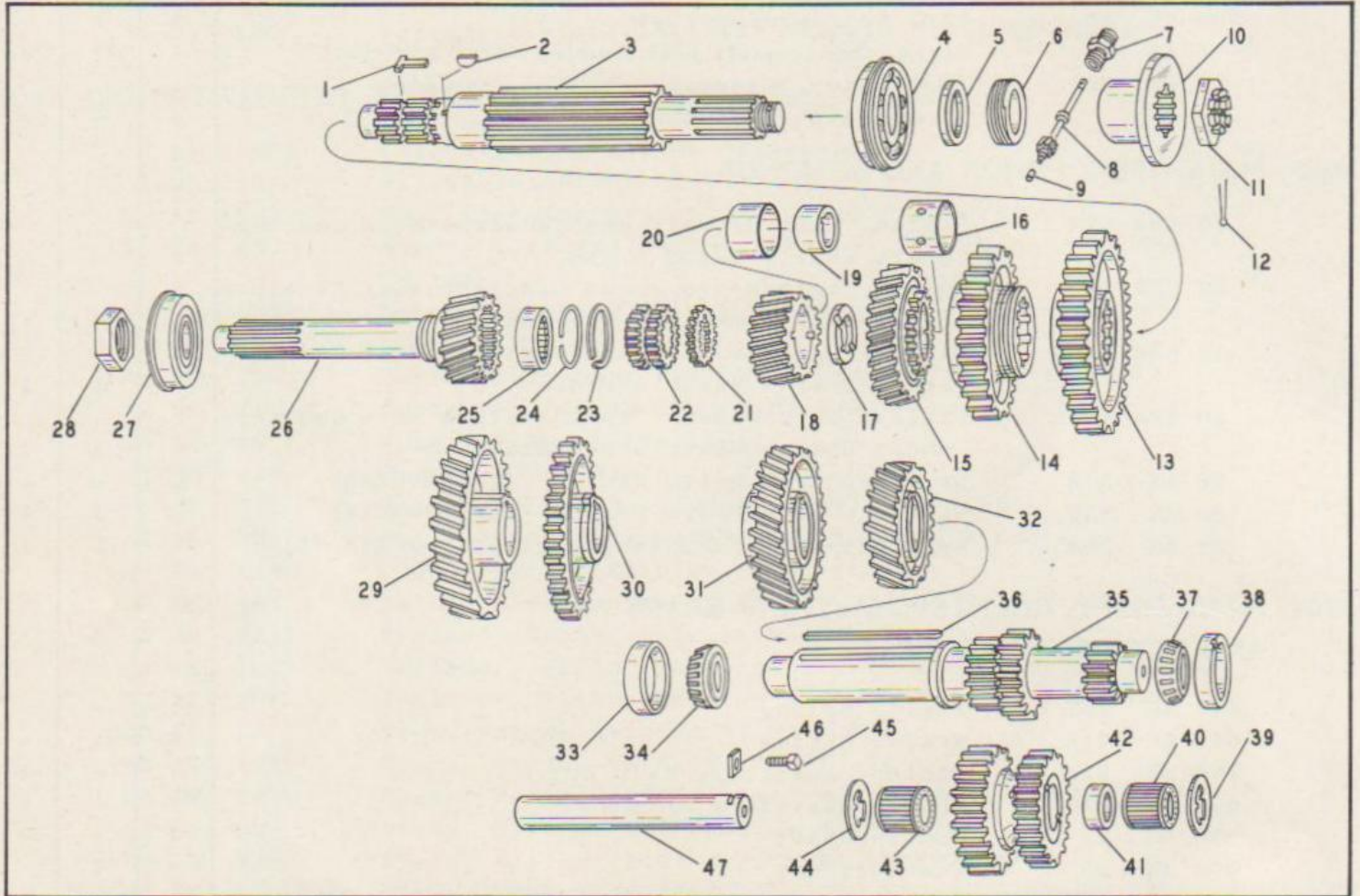


Illustration covers parts listed in columns 1 and 2.

| Ref. No. | PART NAME | Govt. Group | Ref. No. | PART NAME | Govt. Group | Ref. No. | PART NAME | Govt. Group |
|----------|---|-------------|----------|--|-------------|----------|---|-------------|
| 1. | Key—Spline Shaft Thrust Washer | 0704 | 18. | Gear—Fourth Speed Spline Shaft (Use Mated Gear Assembly) | 0704 | 31. | Gear—Fourth Speed Countershaft (Use Mated Gear Assy.) | 0704 |
| 2. | Key—Fourth Speed Gear Sleeve | 0704 | 19. | Sleeve—Fourth Speed Spline Shaft Gear | 0704 | 32. | Gear—Third Speed Countershaft (Use Mated Gear Assy.) | 0704 |
| 3. | Shaft—Spline | 0704 | 20. | Bushing—Fourth Speed Spline Shaft Gear | 0704 | 33. | Cup—Countershaft Front Bearing | 0704 |
| 4. | Bearing—Spline Shaft (Rear) | 0704 | 21. | Washer—Fourth Speed Spline Shaft Gear Thrust | 0704 | 34. | Cone—Countershaft Front Bearing | 0704 |
| 5. | Spacer—Speedometer Drive Worm | 0705 | 22. | Clutch—Fourth and Fifth Speed Sliding | 0704 | 35. | Countershaft | 0704 |
| 6. | Worm—Speedometer Drive | 0705 | 23. | Ring—Spigot Bearing Snap (Rectangular) | 0704 | 36. | Key—Countershaft Gear | 0704 |
| 7. | Sleeve—Speedometer Drive | 0705 | 24. | Ring—Spigot Bearing Snap (Round) | 0704 | 37. | Cone—Countershaft Rear Bearing | 0704 |
| 8. | Gear—Speedometer Drive | 0705 | 25. | Bearing—Spigot | 0704 | 38. | Cup—Countershaft Rear Bearing | 0704 |
| 9. | Bushing—Speedometer Drive Gear Shaft | 0705 | 26. | Pinion—Main Driving (Use Mated Gear Assembly) | 0703 | 39. | Washer—Reverse Gear Thrust | 0704 |
| 10. | Flange—Drive | 0901 | 27. | Bearing—Main Driving Pinion | 0703 | 40. | Bearing—Reverse Gear | 0704 |
| 11. | Nut—Drive Flange | 0901 | 28. | Nut—Main Driving Pinion Bearing | 0703 | 41. | Spacer—Reverse Gear Bearing | 0704 |
| 12. | Cotter—Drive Flange Nut | 0901 | 29. | Gear—Constant Mesh Countershaft (Use Mated Gear Assy.) | 0704 | 42. | Gear—Reverse | 0704 |
| 13. | Gear—First Speed Sliding | 0704 | 30. | Gear—Power Take Off | 0704 | 43. | Bearing—Reverse Gear | 0704 |
| 14. | Gear—Second Speed Sliding | 0704 | | | | 44. | Washer—Reverse Gear Thrust | 0704 |
| 15. | Gear—Third Speed Spline Shaft (Use Mated Gear Assembly) | 0704 | | | | 45. | Screw—Reverse Gear Shaft Lock | 0704 |
| 16. | Bushing—Third Speed Spline Shaft Gear | 0704 | | | | 46. | Lock—Reverse Gear Shaft | 0704 |
| 17. | Washer—Third and Fourth Speed Gear Thrust | 0704 | | | | 47. | Shaft—Reverse Gear | 0704 |

Group
No.

0704 MAIN SHAFT, COUNTERSHAFT AND GEARS
AND REVERSE IDLER GEARS (Cont'd)

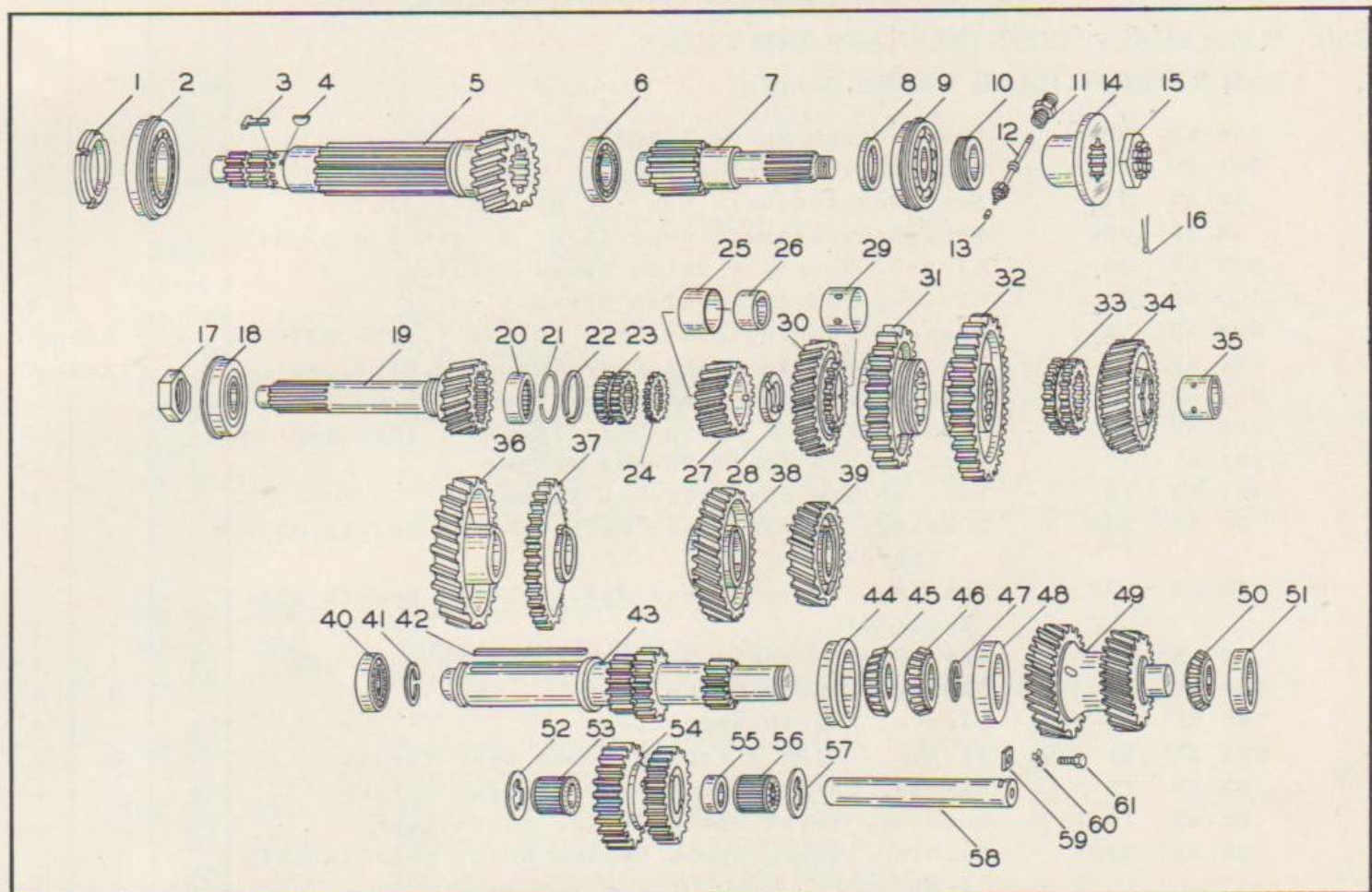


Illustration covers parts listed in column 3.

| Ref. No. | PART NAME | Govt. Group | Ref. No. | PART NAME | Govt. Group | Ref. No. | PART NAME | Govt. Group |
|----------|---|-------------|----------|---|-------------|----------|---|-------------|
| 1. | Nut—Spline Shaft Bearing (Rear) | 0704 | 24. | Washer—Fourth Speed Spline Shaft Gear Thrust | 0704 | 42. | Key—Countershaft Gear | 0704 |
| 2. | Bearing—Spline Shaft (Rear) | 0704 | 25. | Bushing—Fourth Speed Spline Shaft Gear | 0704 | 43. | Countershaft | 0704 |
| 3. | Key—Spline Shaft Thrust Washer | 0704 | 26. | Sleeve—Fourth Speed Spline Shaft Gear | 0704 | 44. | Cup—Countershaft Bearing (Rear) | 0704 |
| 4. | Key—Four Speed Gear Sleeve | 0704 | 27. | Gear—Fourth Speed Spline Shaft (Use Mated Gear Assembly) | 0704 | 45. | Cone—Countershaft Bearing (Rear) | 0704 |
| 5. | Shaft—Spline | 0704 | 28. | Washer—Third & Fourth Speed Gear Thrust | 0704 | 46. | Cone—Auxiliary Countershaft Bearing (Front) | 0704 |
| 6. | Bearing—Auxiliary Spigot | 0704 | 29. | Bushing—Third Speed Spline Shaft Gear | 0704 | 47. | Ring—Countershaft Bearing Snap (Rear) | 0704 |
| 7. | Shaft—Auxiliary | 0704 | 30. | Gear—Third Speed Spline Shaft | 0704 | 48. | Cup—Auxiliary Countershaft Bearing (Front) | 0704 |
| 8. | Washer—Auxiliary Spline Shaft Gear Thrust | 0704 | 31. | Gear—Second Speed Sliding | 0704 | 49. | Gear—Auxiliary Countershaft | 0704 |
| 9. | Bearing—Spline Shaft (Rear) | 0704 | 32. | Gear—First Speed Sliding | 0704 | 50. | Cone—Auxiliary Countershaft Bearing (Rear) | 0704 |
| 10. | Worm—Speedometer Drive | 0705 | 33. | Clutch—Auxiliary Gear | 0704 | 51. | Cup—Auxiliary Countershaft Bearing (Rear) | 0704 |
| 11. | Sleeve—Speedometer Drive | 0705 | 34. | Gear Assembly—Auxiliary Spline Shaft | 0704 | | | |
| 12. | Gear—Speedometer Drive | 0705 | 35. | Bushing—Auxiliary Spline Shaft Gear | 0704 | 52. | Washer—Reverse Gear Thrust | 0704 |
| 13. | Bushing—Speedometer Drive Gear Shaft | 0705 | 36. | Gear—Constant Mesh Countershaft (Use Mated Gear Assembly) | 0704 | 53. | Bearing—Reverse Gear | 0704 |
| 14. | Flange—Drive | 0901 | 37. | Gear—Power Take Off | 0704 | 54. | Gear—Reverse | 0704 |
| 15. | Nut—Drive Flange | 0901 | 38. | Gear—Fourth Speed Countershaft (Use Mated Gear Assembly) | 0704 | 55. | Spacer—Reverse Gear Bearing | 0704 |
| 16. | Cotter—Drive Flange Nut | 0901 | 39. | Gear—Third Speed Countershaft (Use Mated Gear Assembly) | 0704 | 56. | Bearing—Reverse Gear | 0704 |
| 17. | Nut—Main Driving Pinion Bearing | 0703 | 40. | Bearing—Countershaft (Front) | 0704 | 57. | Washer—Reverse Gear Thrust | 0704 |
| 18. | Bearing—Main Driving Pinion | 0703 | 41. | Ring—Countershaft Bearing Snap (Front) | 0704 | 58. | Shaft—Reverse Gear | 0704 |
| 19. | Pinion—Main Driving (Use Mated Gear Assembly) | 0703 | | | | 59. | Lock—Reverse Gear Shaft | 0704 |
| 20. | Bearing—Spigot | 0704 | | | | 60. | Lockwasher—Reverse Gear Shaft Lock Screw | 0704 |
| 21. | Ring—Spigot Bearing Snap (Round) | 0704 | | | | 61. | Screw—Reverse Gear Shaft Lock | 0704 |
| 22. | Ring—Spigot Bearing Snap (Rectangular) | 0704 | | | | | | |
| 23. | Clutch—Fourth & Fifth Speed Sliding | 0704 | | | | | | |

| Group No. | Part No. | Description | No. Req'd | | |
|-----------|-------------|--|-----------|--------|--------|
| | | | Col. 1 | Col. 2 | Col. 3 |
| | | COLUMN #1 - TR30 TRANSMISSION - 11KBA5111P1, 11KBA5112P1 | | | |
| | | COLUMN #2 - TR31 TRANSMISSION - 11KBA5113P1, 11KBA5114P1 | | | |
| | | COLUMN #3 - TRD31 TRANSMISSION - 11KBA5115AP1, 11KBA5116AP1 | | | |
| 0704 | | MAIN SHAFT, COUNTERSHAFT AND GEARS AND REVERSE IDLER GEARS (Cont'd) | | | |
| | 736 KB 22A | Gear, First Speed Sliding | - | 1 | 1 |
| | 501 KC 11 | Ring, Gear Retaining Snap | - | - | 1 |
| | 42 AX 318 | Key, Countershaft Gear (3/8" x 5-11/16") | - | 1 | 1 |
| | 42 AX 339 | Key, Countershaft Gear (3/8" x .374 x 5-5/16") | 1 | - | - |
| | 320 KB 26 | Clutch, Fourth & Fifth Speed Sliding | 1 | - | - |
| | 320 KB 27 | Clutch, Fourth & Fifth Speed Sliding | - | 1 | 1 |
| | 224 KD 12 | Washer, Fourth Speed Gear Thrust (.221-.223) | - | AsReq. | |
| | 224 KD 13 | Washer, Fourth Speed Gear Thrust (.217-.219) | - | AsReq. | |
| | 224 KD 14 | Washer, Fourth Speed Gear Thrust (.190-.192) AsReq. | - | - | |
| | 224 KD 15 | Washer, Fourth Speed Gear Thrust (.186-.188) AsReq. | - | - | |
| | 151 KC 12 | Key, Spline Shaft Thrust Washer | 1 | - | - |
| | 151 KC 13 | Key, Spline Shaft Thrust Washer | - | 1 | 1 |
| | 80 AX 349 | Bushing, Fourth Speed Spline Shaft Gear(2.0038 x 1-9/64") | 1 | - | - |
| | 80 AX 350 | Bushing, Fourth Speed Spline Shaft Gear(2.254x 1-13/64") | - | 1 | 1 |
| | 43 AX 22 | Key, Fourth Speed Gear Sleeve (.1573 x .625) | 1 | 1 | 1 |
| | 786 KC 11 | Sleeve, Fourth Speed Gear | - | 1 | 1 |
| | 786 KC 12 | Sleeve, Fourth Speed Gear | 1 | - | - |
| | 223 KD 11 | Washer, Third & Fourth Speed Gear Thrust | - | 1 | 1 |
| | 223 KD 12 | Washer, Third & Fourth Speed Gear Thrust | 1 | - | - |
| | 150 KB 13 | Bushing, Third Speed Spline Shaft Gear | 1 | - | - |
| | 80 AX 320 | Bushing, Third Speed Spline Shaft Gear (2.254x 1-21/32") | - | 1 | 1 |
| | 752 KB 26 | Gear, Auxiliary Countershaft | - | - | 1 |
| | 321 KB 21A | Clutch, Auxiliary Gear | - | - | 1 |
| | 741 KBA 121 | Gear, Auxiliary Spline Shaft - Assembly | - | - | 1 |
| | 80 AX 320 | Bushing, Auxiliary Spline Shaft Gear (.254 x 1-21/32") | - | - | 1 |
| | 239 KD 13 | Washer, Auxiliary Spline Shaft Gear Thrust | - | - | 1 |
| | 763 KB 21 | Gear, Reverse | 1 | - | - |
| | 763 KB 22 | Gear, Reverse | - | 1 | 1 |
| | 611 KC 11 | Shaft, Reverse Gear | - | 1 | 1 |
| | 611 KC 12 | Shaft, Reverse Gear | 1 | - | - |
| | 233 KD 12 | Washer, Reverse Gear Thrust | - | 1 | 1 |
| | 207 KC 12 | Lock, Reverse Shaft | 1 | 1 | 1 |
| | 4 AX 1 | Screw, Reverse Gear Shaft (3/8"-16 x 1") | 1 | 1 | 1 |
| | 35 AX 295 | Lockwasher, Reverse Gear Shaft Screw (25/64") | 1 | 1 | 1 |
| | 67 AX 148 | Bearing, Spigot (Hyatt #1305TM) | 1 | 1 | 1 |
| | 506 KC 13 | Ring, Spigot Bearing Snap (Rectangular) | 1 | 1 | 1 |
| | 506 KC 14 | Ring, Spigot Bearing Snap (Round) | 1 | 1 | 1 |
| | 46 AX 320 | Bearing, Auxiliary Spigot (SKF6209) | - | - | 1 |
| | 46 AX 321 | Bearing, Spline Shaft Rear (SKF6215NR) | - | - | 1 |
| | 273 KC 13 | Nut, Spline Shaft Rear Bearing | - | - | 1 |
| | 46 AX 318 | Bearing, Auxiliary Spline Shaft (MRC309MG) | - | - | 1 |
| | 46 AX 303 | Bearing, Spline Shaft Rear (SKF 6308NR) | 1 | - | - |
| | 46 AX 319 | Bearing, Spline Shaft Rear (SKF 6309NR) | - | 1 | - |
| | 62 AX 296 | Cone, Countershaft Front Bearing(Timken 2877) | 1 | - | - |
| | 62 AX 268 | Cone, Countershaft Front Bearing(Timken 25576) | - | 1 | - |

| Group No. | Part No. | Description | No. Req'd | | | |
|---|----------|-------------|--|--------|--------|---|
| | | | Col. 1 | Col. 2 | Col. 3 | |
| COLUMN #1 - TR30 TRANSMISSION - 11KBA5111P1, 11KBA5112P1 | | | | | | |
| COLUMN #2 - TR31 TRANSMISSION - 11KBA5113P1, 11KBA5114P1 | | | | | | |
| COLUMN #3 - TRD31 TRANSMISSION - 11KBA5115AP1, 11KBA5116AP1 | | | | | | |
| 0704 MAIN SHAFT, COUNTERSHAFT AND GEARS | | | | | | |
| AND REVERSE IDLER GEARS (Cont'd) | | | | | | |
| | 67 AX | 150 | Bearing, Countershaft Front (Hyatt #7208TS) | - | - | 1 |
| | 64 AX | 153 | Cup, Countershaft Front Bearing (Timken 2820) | 1 | - | - |
| | 64 AX | 155 | Cup, Countershaft Front Bearing (Timken 25523) | - | 1 | - |
| | 62 AX | 278 | Cone, Countershaft Rear Bearing (Timken 2794) | 1 | - | - |
| | 62 AX | 216 | Cone, Countershaft Rear Bearing (Timken 3877) | - | 1 | - |
| | 62 AX | 183 | Cone, Countershaft Rear Bearing (Timken 467) | - | - | 1 |
| | 64 AX | 154 | Cup, Countershaft Rear Bearing (Timken 2734W) | 1 | - | - |
| | 64 AX | 156 | Cup, Countershaft Rear Bearing (Timken 3820W) | - | 1 | - |
| | 64 AX | 157 | Cup, Countershaft Rear Bearing (Timken 453B) | - | - | 1 |
| | 62 AX | 183 | Cone, Auxiliary Countershaft Front Bearing (Timken 4167) | - | - | 1 |
| | 64 AX | 142 | Cup, Auxiliary Countershaft Front Bearing (Timken 453X) | - | - | 1 |
| | 501 KC | 11 | Ring, Countershaft Bearing Snap (Front) | - | - | 1 |
| | 62 AX | 216 | Cone, Auxiliary Countershaft Rear Bearing (Timken 3877) | - | - | 1 |
| | 64 AX | 156 | Cup, Auxiliary Countershaft Rear Bearing (Timken 3820W) | - | - | 1 |
| | 309 KC | 12 | Pin, Bearing Cup Lock | - | - | 1 |
| | 67 AX | 132 | Bearing, Reverse Gear (Rollway #WS2326) | 2 | - | - |
| | 67 AX | 149 | Bearing, Reverse Gear (Hyatt #94726) | - | 2 | 2 |
| | 40 KD | 12 | Spacer, Reverse Gear Bearing | - | 1 | 1 |
| | 503 KC | 12 | Ring, Countershaft Bearing Snap (Rear) | - | - | 1 |
| 0705 SPEEDOMETER GEARS | | | | | | |
| | 291 KD | 159 | Worm, Speedometer Drive (7.63 Axle Ratio - 8.25/20 - 9.00/20 Tires) (4T) | - | 1 | 1 |
| | 291 KD | 161 | Worm, Speedometer Drive (8.59 Axle Ratio - 8.25/20 Tires) (3T) | 1 | - | - |
| | 291 KD | 162 | Worm, Speedometer Drive (6.85 Axle Ratio - 8.25/20 - 9.00/20 Tires) (4T) (6.14 Axle Ratio - 9.00/20 Tires) (4T) (8.59 Axle Ratio 9.00/20 Tires) (4T) | 1 | - | - |
| | 291 KD | 163 | Worm, Speedometer Drive (6.14 Axle Ratio - 8.25/20 Tires) (5T) | 1 | - | - |
| | 773 KB | 122 | Gear, Speedometer Drive (6.14 Axle Ratio - 9.00/20 Tires) (13T) | 1 | - | - |
| | 773 KB | 123 | Gear, Speedometer Drive (6.85 Axle Ratio - 9.00/20 Tires) (8.59 Axle Ratio - 8.25/20 Tires) (14T) | 1 | - | - |
| | 773 KB | 124 | Gear, Speedometer Drive (6.85 Axle Ratio - 8.25/20 Tires) (15T) | 1 | - | - |
| | 773 KB | 125 | Gear, Speedometer Drive (7.63 Axle Ratio - 9.00/20 Tires) (16T) | - | - | 1 |
| | 773 KB | 126 | Gear, Speedometer Drive (6.14 Axle Ratio - 8.25/20 Tires) (17T) | 1 | - | - |
| | 773 KB | 126 | Gear, Speedometer Drive (7.63 Axle Ratio - 8.25/20 Tires) (17T) | - | 1 | 1 |
| | 773 KB | 130 | Gear, Speedometer Drive (8.59 Axle Ratio - 9.00/20 Tires) (18T) | 1 | - | - |

0705
0706

| Group No. | Part No. | Description | No. Req'd | | |
|---|----------|---------------------------------------|-----------|--------|--------|
| | | | Col. 1 | Col. 2 | Col. 3 |
| COLUMN #1 - TR30 TRANSMISSION - 11KBA5111P1, 11KBA5112P1 | | | | | |
| COLUMN #2 - TR31 TRANSMISSION - 11KBA5113P1, 11KBA5114P1 | | | | | |
| COLUMN #3 - TRD31 TRANSMISSION - 11KBA5115AP1, 11KBA5116AP1 | | | | | |
| 0705 SPEEDOMETER GEARS (Cont'd) | | | | | |
| 42 | KD 11 | Spacer, Speedometer Drive Worm | - | 1 | - |
| 8 | EH 12 | Bushing, Speedometer Drive Gear Shaft | 1 | 1 | 1 |
| 8 | EJ 115 | Sleeve, Speedometer Drive | 1 | 1 | 1 |

0706 SHIFT FORKS AND LEVERS

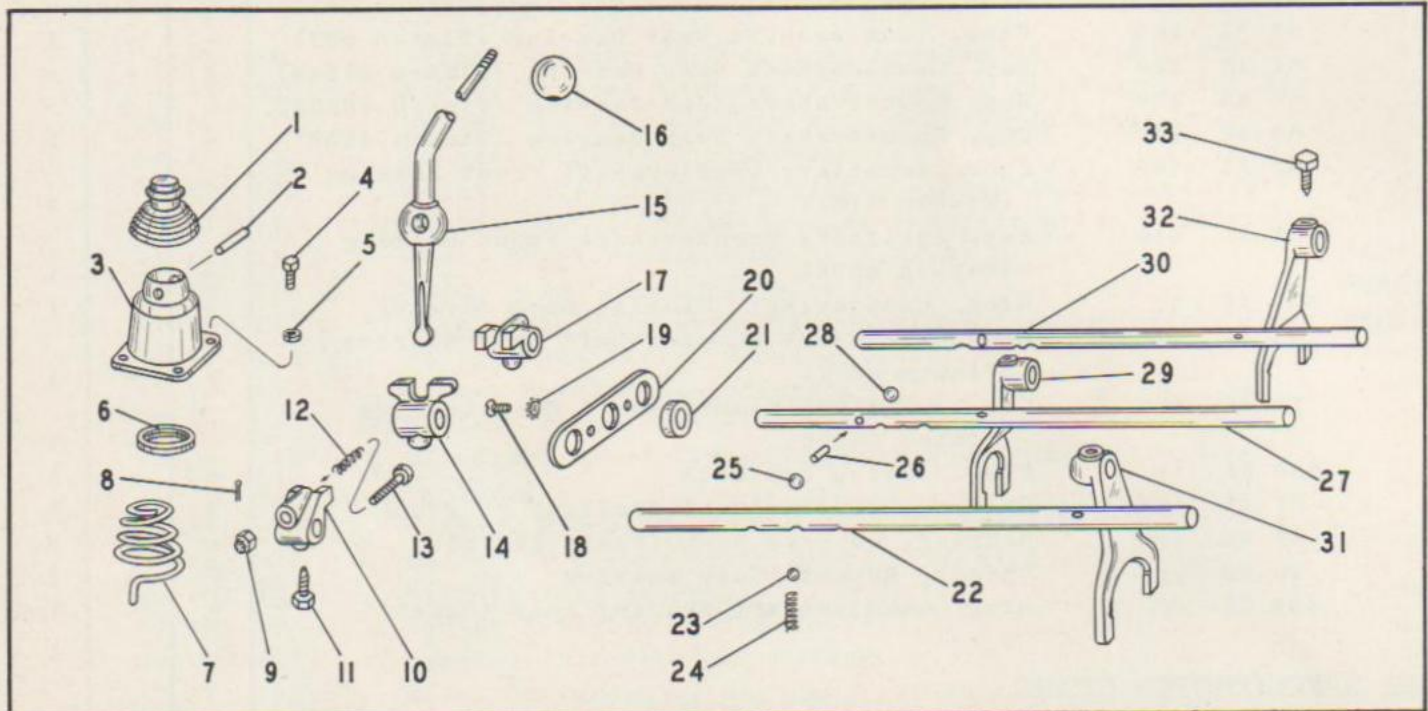


Illustration covers parts listed in columns 1 and 2.

| Ref. No. | PART NAME | Govt. Group | Ref. No. | PART NAME | Govt. Group | Ref. No. | PART NAME | Govt. Group |
|----------|---|-------------|----------|--|-------------|----------|--------------------------------------|-------------|
| 1. | Cap—Shifter Lever Dust | 0706 | 11. | Screw—Shifter | 0706 | 23. | Ball—Shifter Shaft | 0706 |
| 2. | Pin—Shifter Ball | 0706 | 12. | Spring—Reverse Lockout | 0706 | 24. | Spring—Shifter Shaft Ball | 0706 |
| 3. | Cover—Transmission Upper Shifter | 0706 | 13. | Plunger—Reverse Lockout | 0706 | 25. | Ball—Interlock | 0706 |
| 4. | Screw—Transmission Upper Shifter Cover | 0706 | 14. | Shifter—Fourth and Fifth Speed | 0706 | 26. | Pin—Interlock | 0706 |
| 5. | Lockwasher—Transmission Upper Shifter Cover Screw | 0706 | 15. | Lever—Shifter | 0706 | 27. | Shaft—Fourth and Fifth Speed Shifter | 0706 |
| 6. | Washer—Shifter Lever Spring | 0706 | 16. | Ball—Shifter Lever | 0706 | 28. | Ball—Interlock | 0706 |
| 7. | Spring—Shifter Lever | 0706 | 17. | Shifter—Second and Third Speed | 0706 | 29. | Fork—Fourth and Fifth Speed Shifter | 0706 |
| 8. | Cotter—Reverse Lockout Plunger Nut | 0706 | 18. | Screw—Shifter Cover End Plate | 0706 | 30. | Shaft—Second and Third Speed Shifter | 0706 |
| 9. | Nut—Reverse Lockout Plunger | 0706 | 19. | Lockwasher—Shifter Cover End Plate Screw | 0706 | 31. | Fork—First and Reverse Speed Shifter | 0706 |
| 10. | Shifter—First and Reverse Speed | 0706 | 20. | Plate—Shifter Cover End | 0706 | 32. | Fork—Second and Third Speed Shifter | 0706 |
| | | | 21. | Seal—Shifter Shaft Oil | 0706 | 33. | Screw—Shifter Fork | 0706 |
| | | | 22. | Shaft—First & Reverse Speed Shifter | 0706 | | | |

| | | | | | |
|-----|----------|-------------------------------------|---|---|---|
| 8 | AB 1133A | Ball, Shifter Lever | 1 | 1 | 2 |
| 166 | KC 34 | Lever, Auxiliary Shifter (EH & EHT) | - | - | 1 |
| 168 | KC 38 | Lever, Shifter (EHU & EHUT) | 1 | 1 | - |
| 168 | KC 317 | Lever, Shifter (EH & EHT) | 1 | 1 | 1 |
| 269 | KB 14 | Cap, Shifter Lever Dust | 1 | 1 | 2 |
| 305 | KC 13 | Pin, Shifter Ball | 1 | 1 | 2 |
| 409 | KB 25 | Cover, Transmission Upper Shifter | 1 | 1 | 2 |
| 237 | KD 12 | Washer, Shifter Lever Spring | 1 | 1 | 2 |

| Group No. | Part No. | Description | No. Req d | | |
|---|----------|-------------|-----------|--------|--------|
| | | | Col. 1 | Col. 2 | Col. 3 |
| COLUMN #1 - TR30 TRANSMISSION - 11KBA5111P1, 11KBA5112P1 | | | | | |
| COLUMN #2 - TR31 TRANSMISSION - 11KBA5113P1, 11KBA5114P1 | | | | | |
| COLUMN #3 - TRD31 TRANSMISSION - 11KBA5115AP1, 11KBA5116AP1 | | | | | |

0706 SHIFT FORKS AND LEVERS (Cont'd)

| | | | | | | |
|-----|----|----|-------------------------------------|---|---|---|
| 116 | KD | 11 | Spring, Shifter Lever | 1 | 1 | 2 |
| 705 | KC | 21 | Shifter, Auxiliary Speed | - | - | 1 |
| 703 | KC | 25 | Shifter, Second & Third Speed | 1 | 1 | 1 |
| 708 | KC | 21 | Shifter, Fourth & Fifth Speed | 1 | 1 | 1 |
| 701 | KC | 24 | Shifter, First & Reverse | 1 | 1 | 1 |
| 602 | KC | 25 | Shaft, Auxiliary Speed Shifter | - | - | 1 |
| 598 | KC | 25 | Shaft, Second & Third Speed Shifter | 1 | - | - |
| 598 | KC | 26 | Shaft, Second & Third Speed Shifter | - | 1 | 1 |
| 619 | KC | 22 | Shaft, Fourth & Fifth Speed Shifter | 1 | - | - |

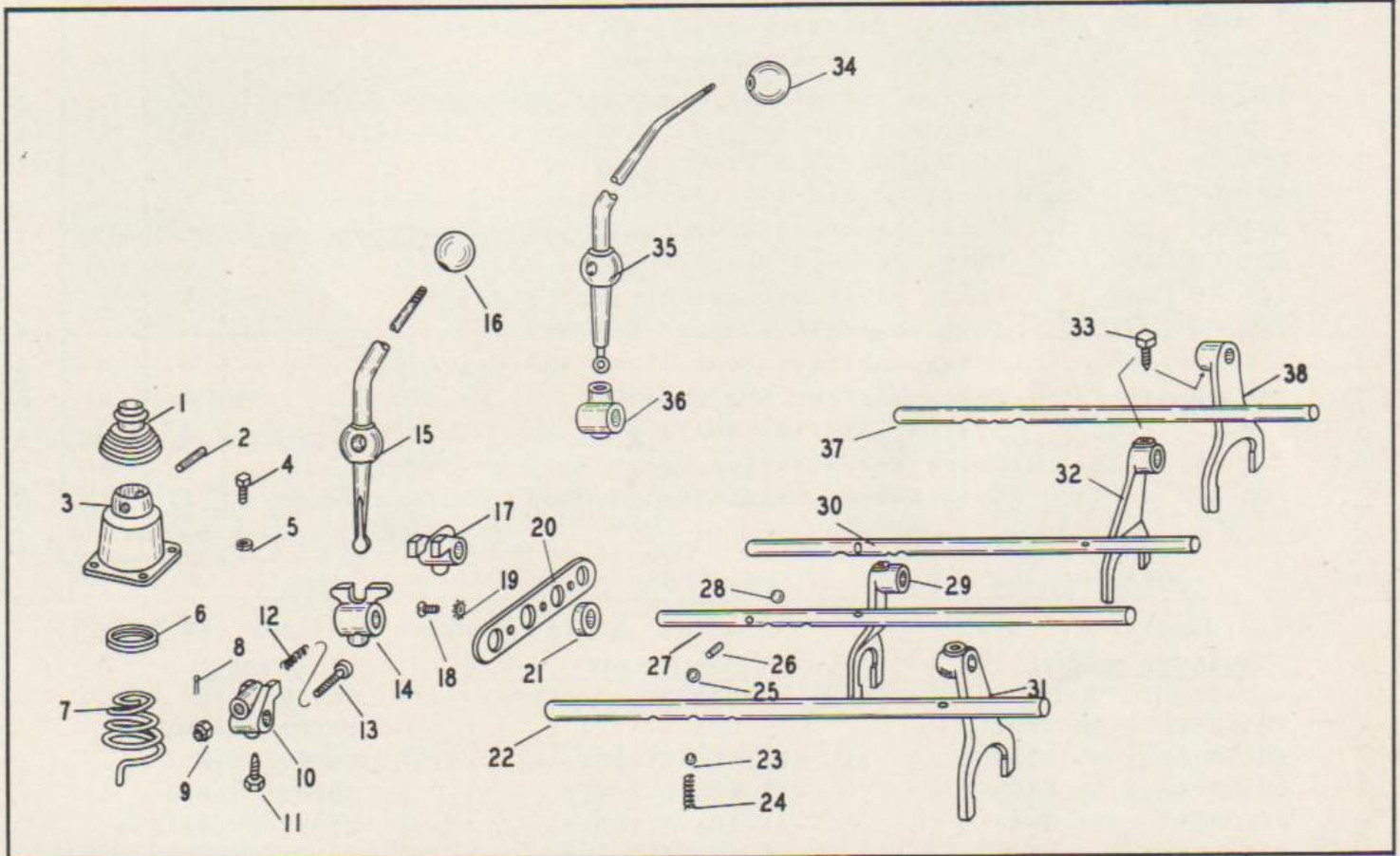


Illustration covers parts listed in column 3.

| Ref. No. | PART NAME | Govt. Group | Ref. No. | PART NAME | Govt. Group | Ref. No. | PART NAME | Govt. Group |
|----------|---|-------------|----------|--|-------------|----------|------------------------------------|-------------|
| 1. | Cap—Shifter Lever Dust | 0706 | 13. | Plunger—Reverse Lockout | 0706 | 27. | Shaft—Fourth & Fifth Speed Shifter | 0706 |
| 2. | Pin—Shifter Ball | 0706 | 14. | Shifter—Fourth & Fifth Speed | 0706 | 28. | Ball—Interlock | 0706 |
| 3. | Cover—Transmission Upper Shifter | 0706 | 15. | Lever—Shifter | 0706 | 29. | Fork—Fourth & Fifth Speed Shifter | 0706 |
| 4. | Screw—Transmission Upper Shifter Cover | 0706 | 16. | Ball—Shifter Lever | 0706 | 30. | Shaft—Second & Third Speed Shifter | 0706 |
| 5. | Lockwasher—Transmission Upper Shifter Cover Screw | 0706 | 17. | Shifter—Second & Third Speed | 0706 | 31. | Fork—First & Reverse Speed Shifter | 0706 |
| 6. | Washer—Shifter Lever Spring | 0706 | 18. | Screw—Shifter Cover End Plate | 0706 | 32. | Fork—Second & Third Speed Shifter | 0706 |
| 7. | Spring—Shifter Lever | 0706 | 19. | Lockwasher—Shifter Cover End Plate Screw | 0706 | 33. | Screw—Shifter Fork | 0706 |
| 8. | Cotter—Reverse Lockout Plunger Nut | 0706 | 20. | Plate—Shifter Cover End | 0706 | 34. | Ball—Shifter Lever | 0706 |
| 9. | Nut—Reverse Lockout Plunger | 0706 | 21. | Seal—Shifter Shaft Oil | 0706 | 35. | Lever—Auxiliary Shifter | 0706 |
| 10. | Shifter—First & Reverse Speed | 0706 | 22. | Shaft—First & Reverse Speed Shifter | 0706 | 36. | Shifter—Auxiliary Speed | 0706 |
| 11. | Screw—Shifter | 0706 | 23. | Ball—Shifter Shaft | 0706 | 37. | Shaft—Auxiliary Speed Shifter | 0706 |
| 12. | Spring—Reverse Lockout | 0706 | 24. | Spring—Shifter Shaft Ball | 0706 | 38. | Fork—Auxiliary Speed Shifter | 0706 |
| | | | 25. | Ball—Interlock | 0706 | | | |
| | | | 26. | Pin—Interlock | 0706 | | | |

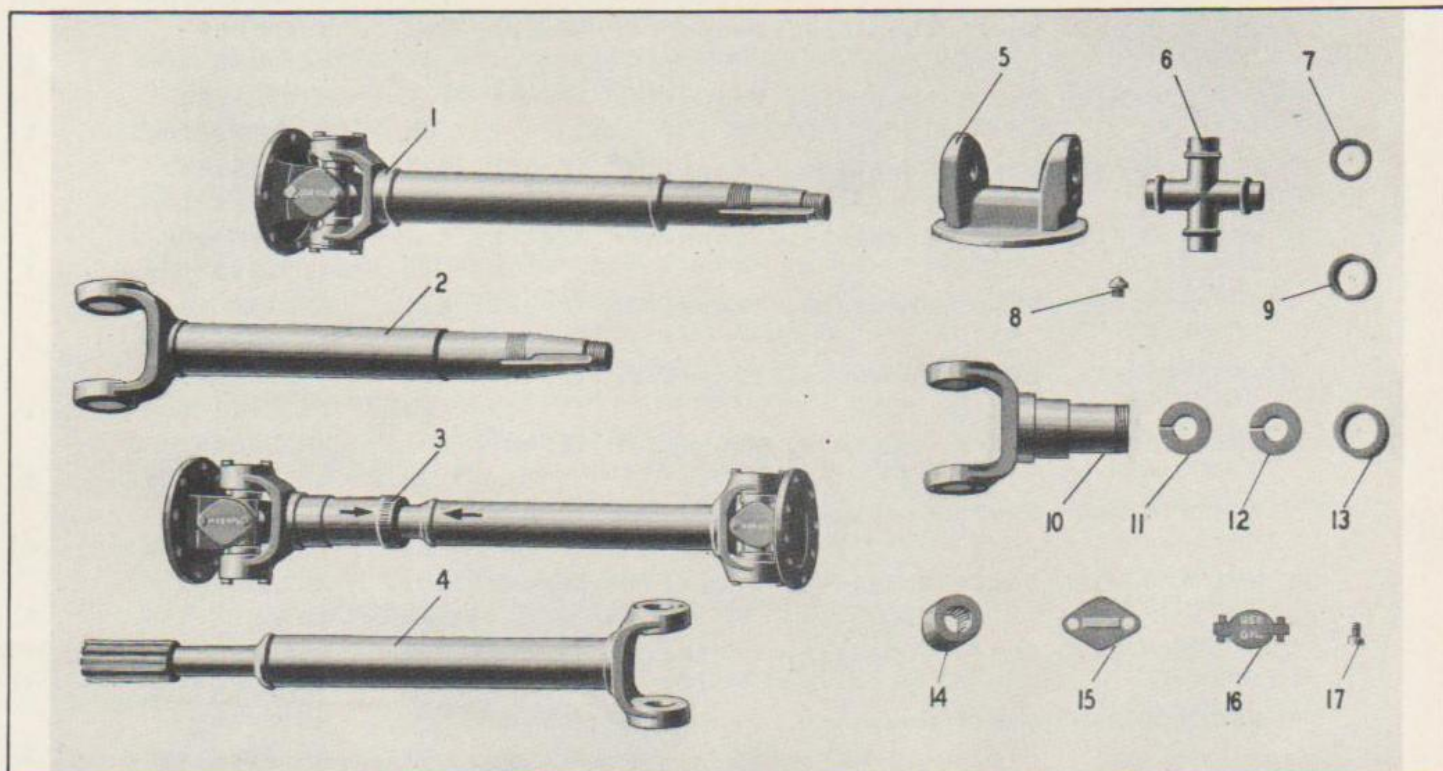
| Group No. | Part No. | Description | No. Req'd | | |
|---|----------|--|-----------|--------|--------|
| | | | Col. 1 | Col. 2 | Col. 3 |
| COLUMN #1 - TR30 TRANSMISSION - 11KBA5111P1, 11KBA5112P1 | | | | | |
| COLUMN #2 - TR31 TRANSMISSION - 11KBA5113P1, 11KBA5114P1 | | | | | |
| COLUMN #3 - TRD31 TRANSMISSION - 11KBA5115AP1, 11KBA5116AP1 | | | | | |
| 0706 SHIFT FORKS AND LEVERS (Cont'd) | | | | | |
| 619 KC | 23 | Shaft, Fourth & Fifth Speed Shifter | - | 1 | 1 |
| 596 KC | 22A | Shaft, First & Reverse Speed Shifter | 1 | - | - |
| 596 KC | 26A | Shaft, First & Reverse Speed Shifter | - | 1 | 1 |
| 48 AX | 12 | Ball, Interlock (3/4") | 2 | 2 | 2 |
| 302 KC | 11 | Pin, Interlock | 1 | 1 | 1 |
| 350 KC | 12 | Plate, Shifter Cover End | 1 | 1 | - |
| 350 KC | 13 | Plate, Shifter Cover End | - | - | 1 |
| 5 AX | 15 | Screw, Shifter Cover End Plate (1/4"-20x9/16") | 2 | 2 | 3 |
| 35 AX | 180 | Lockwasher, Shifter Cover End Plate (.260) | 2 | 2 | 3 |
| 567 KC | 12 | Seal, Shifter Shaft Oil | 3 | 3 | 4 |
| 7 AX | 152 | Screw, Shifter (7/16"-20 x 1-1/8") | 3 | 3 | 4 |
| 412 KC | 11 | Plunger, Reverse Lockout | 1 | 1 | 1 |
| 110 KD | 11 | Spring, Reverse Lockout Plunger | 1 | 1 | 1 |
| 19 AX | 2 | Nut, Reverse Lockout Plunger (5/16"-24) | 1 | 1 | 1 |
| 578 KB | 24 | Fork, Fourth & Fifth Shifter | 1 | 1 | 1 |
| 571 KB | 23 | Fork, Second & Third Shifter | 1 | - | - |
| 571 KB | 24 | Fork, Second & Third Shifter | - | 1 | 1 |
| 571 KB | 23 | Fork, First & Reverse Speed Shifter | 1 | - | - |
| 571 KB | 24 | Fork, First & Reverse Speed Shifter | - | 1 | 1 |
| 575 KB | 21 | Fork, Auxiliary Speed Shifter | - | - | 1 |
| 7 AX | 152 | Screw, Shifter Fork (7/16"-20 x 1-1/8") | 3 | 3 | 4 |
| 48 AX | 11 | Ball, Shifter Shaft (1/2") | 3 | 3 | 4 |
| 8 CJ | 124 | Spring, Shifter Shaft Ball | 3 | 3 | 4 |
| 4 AX | 17 | Screw Transmission Upper Shifter Cover | 4 | 4 | 8 |
| 36 AX | 3 | Lockwasher, Transmission Upper Shifter Cover | 4 | 4 | 8 |

| <u>CHASSIS NUMBER</u> | <u>EQUIPPED WITH TRANSMISSION</u> | <u>MODEL</u> |
|-----------------------|-----------------------------------|-----------------|
| EH1S2637 to 2831 | 11 KBA 5111P1 | TR30 Direct |
| EH1S2833 to 3072 | 11 KBA 5111P1 | TR30 Direct |
| EH1D3869 to 3888 | 11 KBA 5115AP1 | TRD31 Direct |
| EH1D3889 to 3943 | 11 KBA 5112P1 | TR30 Overdrive |
| EHT1D2273 to 23022 | 11 KBA 5116AP1 | TRD31 Overdrive |
| EHT1D2303 to 2412 | 11 KBA 5114P1 | TR31 Overdrive |
| EHU1D1425 to 1494 | 11 KBA 5112P1 | TR30 Overdrive |
| EHUT1D1224 to 1303 | 11 KBA 5113P1 | TR31 Direct |
| EHUT1D1304 to 1403 | 11 KBA 5114P1 | TR31 Overdrive |

| Group No. | Part No. | Description | Universal Joint Units | Used in Mack Chassis No. | No. Req'd |
|-----------|----------|-------------|-----------------------|--------------------------|-----------|
|-----------|----------|-------------|-----------------------|--------------------------|-----------|

09 - PROPELLER SHAFT AND UNIVERSAL JOINTS

0901 - PROPELLER SHAFT ASSEMBLY, TUBES AND FLANGES



| Ref. No. | PART NAME | Govt. Group | Ref. No. | PART NAME | Govt. Group | Ref. No. | PART NAME | Govt. Group |
|----------|--|-------------|----------|----------------------|-------------|----------|-------------------------|-------------|
| 1. | Shaft Complete—Propeller (Front) | 0901 | 5. | Yoke—Flange | 0902 | 11. | Washer—Cork | 0902 |
| 2. | Shaft Service Assembly—Front Drive (Tube and Ends) | 0901 | 6. | Journal Assembly | 0902 | 12. | Washer—Steel | 0902 |
| 3. | Shaft Complete—Propeller Rear | 0901 | 7. | Gasket—Journal | 0902 | 13. | Cap—Dust | 0902 |
| 4. | Shaft Service Assembly—Rear Drive | 0901 | 8. | Valve—Relief | 0902 | 14. | Bearing Assembly—Needle | 0902 |
| | | | 9. | Retainer—Gasket | 0902 | 15. | Cap—Bearing | 0902 |
| | | | 10. | Yoke Assembly—Sleeve | 0902 | 16. | Plate—Lock | 0902 |
| | | | | | | 17. | Bolt—Bearing Cap | 0902 |

| | | | | | |
|---|-------------|----------------------------------|------|--------------|---|
| 7 | MUA 353-P6 | Shaft Complete, Propeller | Col. | EHUT1D1304 | |
| | | | #1 | to 1403 Inc. | 1 |
| 7 | MUA 353-P33 | Shaft Complete, Propeller | Col. | EHUT1D1224 | |
| | | | #1 | to 1303 Inc. | 1 |
| 7 | MUA 353-P12 | Shaft Complete, Propeller (Rear) | Col. | EHU1D1445 | |
| | | | #1 | to 1494 Inc. | 1 |
| 7 | MUA 353-P21 | Shaft Complete, Propeller (Rear) | Col. | EHU1D1425 | |
| | | | #1 | to 1444 Inc. | 1 |
| 7 | MUA 353-P11 | Shaft Complete, Propeller (Rear) | Col. | EHT1D2303 | |
| | | | #1 | to 2392 Inc. | 1 |
| 7 | MUA 353-P16 | Shaft Complete, Propeller (Rear) | Col. | EHT1D2393 | |
| | | | #1 | to 2412 Inc. | 1 |
| 8 | MUA 411-P47 | Shaft Complete, Propeller (Rear) | Col. | EHT1D2273 | |
| | | | #4 | to 2302 Inc. | 1 |
| 8 | MUA 411-P48 | Shaft Complete, Propeller (Rear) | Col. | EH1D3869 | |
| | | | #4 | to 3888 Inc. | 1 |
| 7 | MUA 360-P21 | Shaft Complete, Propeller (Rear) | Col. | EH1S2637 | |
| | | | #1 | to 2831 Inc. | 1 |
| 7 | MUA 353-P52 | Shaft Complete, Propeller (Rear) | Col. | EH1S2865 | |
| | | | #1 | to 3072 Inc. | 1 |
| 7 | MUA 353-P73 | Shaft Complete, Propeller (Rear) | Col. | EH1S2833 | |
| | | | #1 | to 2864 Inc. | 1 |

For Universal Joint Units see Group 0902, page 87.

0901

| Group No. | Part No. | Description | Universal Joint Units | Used in Mack Chassis No. | No. Req'd |
|---|--------------|--|-----------------------|--------------------------|-----------|
| 0901 - PROPELLER SHAFT ASSEMBLY, TUBES AND FLANGES (Cont'd) | | | | | |
| 7 | MUA 353-P16 | Shaft Complete, Propeller (Rear) | Col. #1 | EH1D3907 to 3943 Inc. | 1 |
| 7 | MUA 353-P55 | Shaft Complete, Propeller (Rear) | Col. #1 | EH1D3889 to 3906 Inc. | 1 |
| 7 | MUA 376-P108 | Shaft Complete, Propeller (Front) | Col. #2 | EHU1D1445 to 1494 Inc. | 1 |
| 7 | MUA 376-P90 | Shaft Complete, Propeller (Front) | Col. #2 | EHU1D1425 to 1444 Inc. | 1 |
| 7 | MUA 376-P14 | Shaft Complete, Propeller (Front) | Col. #2 | EHT1D2303 to 2392 Inc. | 1 |
| 8 | MUA 3102-P8 | Shaft Complete, Propeller (Front) | Col. #3 | EHT1D2273 to 2302 Inc. | 1 |
| 7 | MUA 376-P14 | Shaft Complete, Propeller (Front) | Col. #2 | EHT1D2393 to 2412 Inc. | 1 |
| 8 | MUA 3102-P29 | Shaft Complete, Propeller (Front) | Col. #3 | EH1D3869 to 3888 Inc. | 1 |
| 7 | MUA 376-P99 | Shaft Complete, Propeller (Front) | Col. #2 | EH1S2637 to 2831 Inc. | 1 |
| 7 | MUA 376-P106 | Shaft Complete, Propeller (Front) | Col. #2 | EH1S3040 to 3072 Inc. | 1 |
| 7 | MUA 376-P110 | Shaft Complete, Propeller (Front) | Col. #2 | EH1S2833 to 2864 Inc. | 1 |
| 7 | MUA 376-P99 | Shaft Complete, Propeller (Front) | Col. #2 | EH1S2865 to 3039 Inc. | 1 |
| 7 | MUA 376-P106 | Shaft Complete, Propeller (Front) | Col. #2 | EH1D3907 to 3943 Inc. | 1 |
| 7 | MUA 376-P110 | Shaft Complete, Propeller (Front) | Col. #2 | EH1D3889 to 3906 Inc. | 1 |
| 16 | MUA 327-P34 | Shaft Service Assembly, Drive (Tube and Ends) | - | EHUT1D1304 to 1403 Inc. | 1 |
| 16 | MUA 327-P46 | Shaft Service Assembly, Drive (Tube and Ends) | - | EHUT1D1224 to 1303 Inc. | 1 |
| 16 | MUA 327-P45 | Shaft Service Assembly, Rear Drive (Tube and Ends) | - | EHU1D1445 to 1494 Inc. | 1 |
| 16 | MUA 327-P63 | Shaft Service Assembly, Rear Drive (Tube and Ends) | - | EHU1D1425 to 1444 Inc. | 1 |
| 16 | MUA 327-P44 | Shaft Service Assembly, Rear Drive (Tube and Ends) | - | EHT1D2303 to 2392 Inc. | 1 |
| 17 | MUA 393-P47 | Shaft Service Assembly, Rear Drive (Tube and Ends) | - | EHT1D2273 to 2302 Inc. | 1 |
| 16 | MUA 327-P54 | Shaft Service Assembly, Rear Drive (Tube and Ends) | - | EHT1D2393 to 2412 Inc. | 1 |
| 17 | MUA 393-P48 | Shaft Service Assembly, Rear Drive (Tube and Ends) | - | EH1D3869 to 3888 Inc. | 1 |
| 16 | MUA 330-P21 | Shaft Service Assembly, Rear Drive (Tube and Ends) | - | EH1S2637 to 2831 Inc. | 1 |
| 16 | MUA 327-P67 | Shaft Service Assembly, Rear Drive (Tube and Ends) | - | EH1S2865 to 3072 Inc. | 1 |
| 16 | MUA 327-P74 | Shaft Service Assembly, Rear Drive (Tube and Ends) | - | EH1S2833 to 2864 Inc. | 1 |
| 16 | MUA 327-P54 | Shaft Service Assembly, Rear Drive (Tube and Ends) | - | EH1D3907 to 3943 Inc. | 1 |
| 16 | MUA 327-P61 | Shaft Service Assembly, Rear Drive (Tube and Ends) | - | EH1D3889 to 3906 Inc. | 1 |

For Universal Joint Units see Group 0902, page 87.

| Group No. | Part No. | Description | Used in Mack Chassis No. | No. Req'd |
|-----------|--------------|--|---------------------------|-----------|
| 16 | MUA 334-P108 | Shaft Service Assembly, Front Drive - (Tube and Ends) | EHU1D1445 to 1494 Inc. | 1 |
| 16 | MUA 334-P90 | Shaft Service Assembly, Front Drive - (Tube and Ends) | EHU1D1425 to 1444 Inc. | 1 |
| 16 | MUA 334-P14 | Shaft Service Assembly, Front Drive - (Tube and Ends) | EHT1D2303 to 2412 Inc. | 1 |
| 17 | MUA 395-P8 | Shaft Service Assembly, Front Drive - (Tube and Ends) | EHT1D2273 to 2302 Inc. | 1 |
| 17 | MUA 395-P29 | Shaft Service Assembly, Front Drive - (Tube and Ends) | EH1D3869 to 3888 Inc. | 1 |
| 16 | MUA 334-P99 | Shaft Service Assembly, Front Drive - (Tube and Ends) | EH1S2637 to 2831 Inc. | 1 |
| 16 | MUA 334-P106 | Shaft Service Assembly, Front Drive - (Tube and Ends) | EH1S3040 to 3072 Inc. | 1 |
| 16 | MUA 334-P110 | Shaft Service Assembly, Front Drive - (Tube and Ends) | EH1S2833 to 2855 Inc. | 1 |
| 16 | MUA 334-P99 | Shaft Service Assembly, Front Drive - (Tube and Ends) | EH1S2865 to 3039 Inc. | 1 |
| 16 | MUA 334-P106 | Shaft Service Assembly, Front Drive - (Tube and Ends) | EH1D3907 to 3943 Inc. | 1 |
| 16 | MUA 334-P110 | Shaft Service Assembly, Front Drive - (Tube and Ends) | EH1D3889 to 3906 Inc. | 1 |

Propeller Shaft Flanges

Column #1 - covering 1500 - 4-bolt Series Drive Shaft Flanges

Column #2 - covering 1600 - 8-bolt Series Drive Shaft Flanges

| | | | | No. Req'd. | |
|-----|----|-------|--|------------|--------|
| | | | | Col. 1 | Col. 2 |
| 552 | KB | 232 | Flange, Drive (At TR31 Transmission) | 1 | - |
| 552 | KB | 239 | Flange, Drive (At TR30 Transmission) | 1 | - |
| 1 | AX | 275 | Bolt, Drive Shaft (1/2"-20 x 2") | 4 | - |
| 20 | AX | 5 | Nut, Drive Shaft Bolt (1/2"-20) | 4 | - |
| 21 | AX | 285 | Nut, Drive Flange (TR31 Transmission) | 1 | - |
| 21 | AX | 280 | Nut, Drive Flange (TR30 Transmission) | 1 | - |
| 36 | AX | 5 | Washer, Drive Shaft Bolt (.515") | 4 | - |
| 552 | KB | 247 | Flange, Drive (At TRD31 Transmission) | - | 1 |
| 3 | AX | 706 | Bolt, Drive Shaft (3/8"-24 x 2") | - | 8 |
| 20 | AX | 3 | Nut, Drive Shaft Bolt (3/8"-24) | - | 8 |
| 21 | AX | 285 | Nut, Drive Flange (TRD31 Transmission) | - | 1 |
| 36 | AX | 3 | Washer, Drive Shaft Bolt (3/8") | - | 8 |
| 32 | MU | 276 | Flange, Drive (At Center Bearing) | 1 | - |
| 3 | AX | 977 | Bolt, Drive Flange (At Center Bearing) (1/2"-20 x 3/4") | 4 | - |
| 20 | AX | 5 | Nut, Drive Flange Bolt (At Center Bearing) (1/2"-20) | 4 | - |
| 21 | AX | 101 | Nut, Drive Flange (At Center Bearing) (1"-20) | 1 | - |
| 29 | AX | 7 | Cotter, Drive Flange (At Center Bearing) (1/8" x 2") | 1 | - |
| 36 | AX | 5 | Washer, Drive Flange Bolt (At Center Bearing) (.515") | 4 | - |
| 37 | AX | 344 | Washer, Drive Flange (At Center Bearing) (1-1/64") | 1 | - |
| 9 | AB | 2289A | Flange, Drive (At Center Bearing) | - | 1 |

| Group No. | Part No. | Description | No. Req'd. | |
|---|----------|--|------------|--------|
| | | | Col. 1 | Col. 2 |
| 0901 - PROPELLER SHAFT ASSEMBLY, TUBES AND FLANGES (Cont'd) | | | | |
| Propeller Shaft Flanges (Cont'd) | | | | |
| Column #1 - covering 1500 - 4-bolt Series Drive Shaft Flanges | | | | |
| Column #2 - covering 1600 - 8-bolt Series Drive Shaft Flanges | | | | |
| 3 AX | 704 | Bolt, Drive Flange (At Center Bearing) (3/8"-24 x 1-5/16") | - | 8 |
| 20 AX | 3 | Nut, Drive Flange Bolt (At Center Bearing) (3/8"-24) | - | 8 |
| 23 AX | 6 | Nut, Drive Flange (At Center Bearing) (1-1/4"-18) | - | 1 |
| 36 AX | 3 | Washer, Drive Flange Bolt (At Center Bearing) (3/8") | - | 8 |
| 29 AX | 52 | Cotter, Drive Flange (At Center Bearing) (1/8" x 2-1/2") | - | 1 |
| 42 AX | 77 | Key, Drive Flange (At Center Bearing) (7/16" x 7/16" x 2-1/8") | - | 1 |
| 63 KH | 213 | Flange, Drive (At Rear Axle) | 1 | - |
| 3 AX | 977 | Bolt, Drive Flange (At Rear Axle) (1/2"-20x3/4") | 4 | - |
| 20 AX | 5 | Nut, Drive Flange Bolt (At Rear Axle) (1/2"-20) | 4 | - |
| 36 AX | 5 | Washer, Drive Flange Bolt (At Rear Axle) (.515") | 4 | - |
| 11 AB | 2552 | Flange, Drive (At Rear Axle) | - | 1 |
| 3 AX | 704 | Bolt, Drive Flange (At Rear Axle) (3/8"-24 x 1-5/16") | - | 8 |
| 20 AX | 3 | Nut, Drive Flange Bolt (At Rear Axle) (3/8"-24) | - | 8 |
| 36 AX | 3 | Washer, Drive Flange Bolt (At Rear Axle) (3/8") | - | 8 |

Drive Shaft Guards

| | | | | No. Req'd |
|--------|-----|---|--|--------------|
| 9 EM | 112 | Support, Drive Shaft Guard (EH - 146", 158", 164" W.B.) | | 1 |
| 1 AX | 113 | Bolt, Drive Shaft Guard Support (1/2"-20 x 6-1/8") (EH - 146", 158", 164" W.B.) | | 4 |
| 20 AX | 5 | Nut, Drive Shaft Guard Support (1/2"-20) (EH - 146", 158", 164" W.B.) | | 4 |
| 36 AX | 5 | Washer, Drive Shaft Guard Support (.515") (EH - 146", 158", 164" W.B.) | | 4 |
| 9 EM | 113 | Guard, Drive Shaft (EHT) | | 1 |
| 1 AX | 42 | Bolt, Drive Shaft Guard (1/2"-20x1-1/4") (EHT) | | 2 |
| 20 AX | 5 | Nut, Drive Shaft Guard (1/2"-20) (EHT) | | 2 |
| 36 AX | 5 | Washer, Drive Shaft Guard (.515") (EHT) | | 2 |
| 30 MU | 121 | Guard, Drive Shaft (EHU) | | 1 |
| 1 AX | 35 | Bolt, Drive Shaft Guard (3/8"-24 x 1") (EHU) | | 2 |
| 20 AX | 3 | Nut, Drive Shaft Guard (3/8"-24) (EHU) | | 2 |
| 36 AX | 3 | Washer, Drive Shaft Guard (3/8") (EHU) | | 2 |
| 9 EJ | 12 | Support, Drive Shaft Guard (EH - 176" & 194" W.B.) | | 1 |
| 120 AX | 17 | Guard, Drive Shaft (3/8"-24) (EH - 176" & 194" W.B.) | | 1 |
| 20 AX | 3 | Nut, Drive Shaft Guard (3/8"-24) (EH - 176" & 194" W.B.) | | 4 |
| 36 AX | 3 | Washer, Drive Shaft Guard (3/8") (EH - 176" & 194" W.B.) | | 4 |

| Group No. | Mack Part No. | Spicer Part No. | Description | No. Req'd | | | |
|-------------------------|---------------|-----------------|-----------------------------|-----------|--------|--------|--------|
| | | | | Col. 1 | Col. 2 | Col. 3 | Col. 4 |
| 0902 - UNIVERSAL JOINTS | | | | | | | |
| 483 | SJ 15 | K4-2-309 | Yoke, Flange | 2 | 1 | - | - |
| 9 | BCS 35 | K5-2-279 | Yoke, Flange | - | - | 1 | 2 |
| 9 | BGS 50 | K4-3-88 | Yoke Assembly, Sleeve | - | - | - | - |
| 201 | SJ 13 | K5-15 | Kit, Universal Joint Repair | 1 | 1 | - | - |
| 201 | SJ 14 | K5-16 | Kit, Universal Joint Repair | - | - | 1 | 1 |
| 9 | CLS 1A | K5-3-218 | Yoke Assembly, Sleeve | - | - | - | 1 |
| 9 | BGS 44 | 98-764X0602 | Journal Assembly | 2 | 1 | - | - |
| 9 | BCS 48 | KR5-5-68 | Journal Assembly | - | - | 1 | 2 |
| *9 | BGS 45 | K4-86-119 | Gasket, Journal | 8 | 4 | - | - |
| *9 | CLS 2 | K5-86-79 | Gasket, Journal | - | - | 4 | 8 |
| *9 | BGS 46 | 3344 | Retainer, Gasket | 8 | 4 | - | - |
| *9 | CLS 3 | K5-76-17 | Retainer, Gasket | - | - | 4 | 8 |
| *9 | CLS 4 | 98-798 | Valve, Relief | 2 | 1 | 1 | 2 |
| 9 | BGS 48A | K4-6-68X | Bearing Assembly, Needle | 8 | 4 | - | - |
| 9 | BCS 47A | K5-6-78X | Bearing Assembly, Needle | - | - | 4 | 8 |
| 9 | BGS 47 | K4-70-49 | Cap, Bearing | 8 | 4 | - | - |
| 9 | BCS 49A | K5-70-49 | Cap, Bearing | - | - | 4 | 8 |
| 9 | BGS 49 | 98-781 | Plate, Lock | 8 | 4 | - | - |
| 9 | BCS 40 | 98-741 | Plate, Lock | - | - | 4 | 8 |
| 9 | BGS 7 | 3½-14-19 | Cap, Dust | 1 | - | - | - |
| 9 | ABS 17 | 4-14-19 | Cap, Dust | - | - | - | 1 |
| 9 | BGS 8 | 4-15-43 | Washer, Steel | 1 | - | - | - |
| 9 | CLS 5 | K5-15-23 | Washer, Steel | - | - | - | 1 |
| 9 | BGS 51 | K4-16-83 | Washer, Cork | 1 | - | - | - |
| 9 | CLS 6 | K5-16-23 | Washer, Felt | - | - | - | 1 |
| 9 | AKS 68 | 5-73-108 | Bolt, Bearing Cap | 16 | 8 | - | - |
| 9 | BXS 8 | 5-73-109 | Bolt, Bearing Cap | - | - | 8 | 16 |

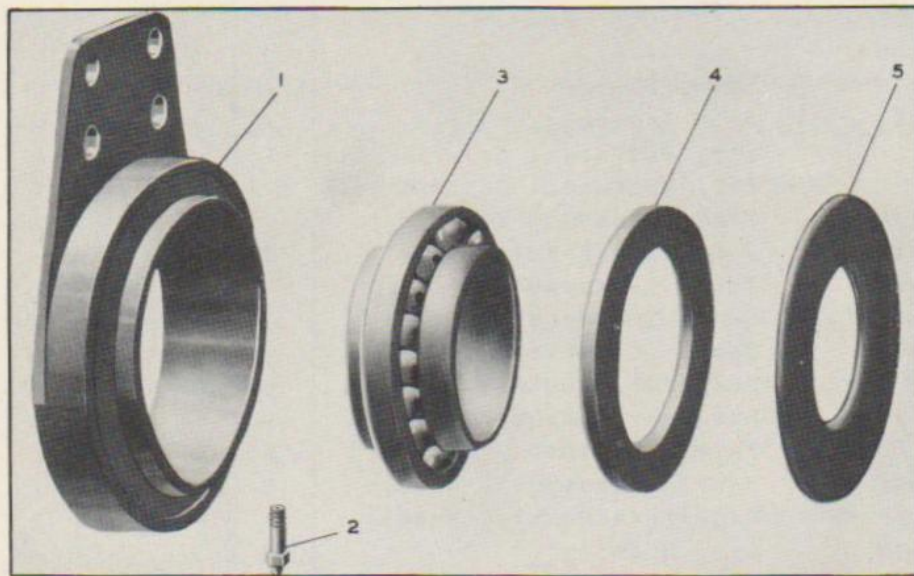
* - Included in Journal Assembly

0903

Group
No.

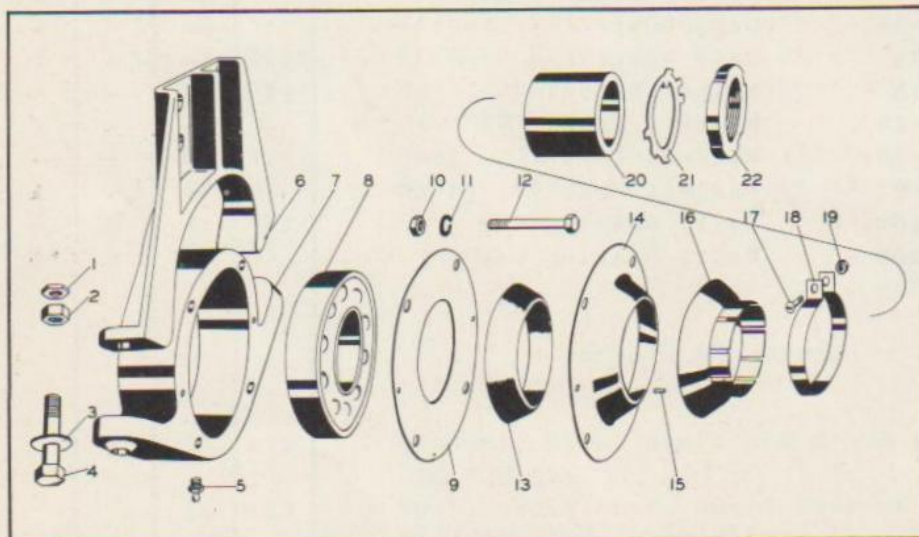
0903 - DRIVE SHAFT CENTER BEARING

Column #1 - Center Bearing Arrangement (For 4-Bolt Shafts)



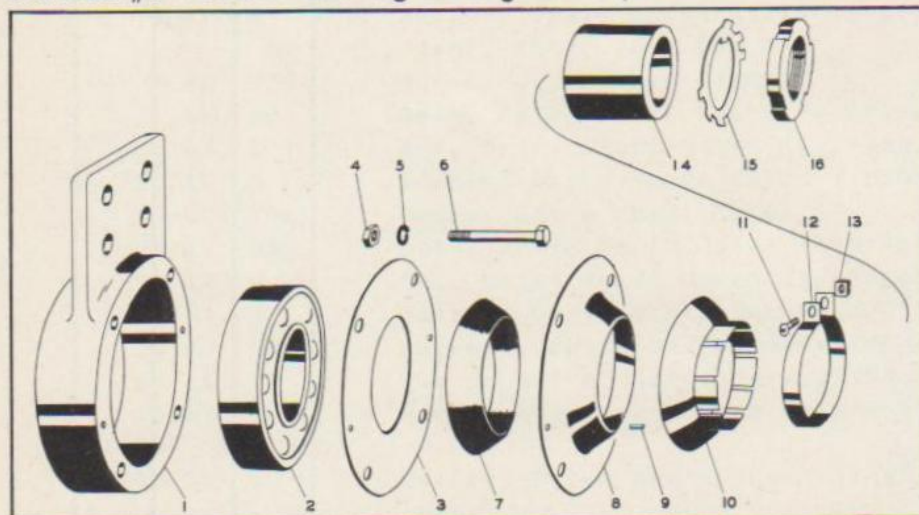
| Ref. No. | PART NAME | Govt. Group |
|----------|------------------------------|-------------|
| 1. | Housing, Center Bearing | 0903 |
| 2. | Fitting, Alemite | 0903 |
| 3. | Bearing, Center | 0903 |
| 4. | Seal, Center Bearing Garlock | 0903 |
| 5. | Flinger, Center Bearing | 0903 |

Column #2 - Center Bearing Arrangement (Chassis EHTID2273-2302) (For 8-Bolt Shafts)



| Ref. No. | PART NAME | Govt. Group |
|----------|-----------------------------------|-------------|
| 1. | Pal Nut, Center Bearing Support | 0903 |
| 2. | Nut, Center Bearing Support | 0903 |
| 3. | Washer, Center Bearing Support | 0903 |
| 4. | Bolt, Center Bearing Support | 0903 |
| 5. | Fitting, Center Bearing Alemite | 0903 |
| 6. | Support, Center Bearing Housing | 0903 |
| 7. | Housing, Center Bearing | 0903 |
| 8. | Bearing, Center | 0903 |
| 9. | Plate, Center Bearing Felt Seal | 0903 |
| 10. | Nut, Center Bearing End Cover | 0903 |
| 11. | Washer, Center Bearing End Cover | 0903 |
| 12. | Bolt, Center Bearing End Cover | 0903 |
| 13. | Washer, Center Bearing Felt | 0903 |
| 14. | Cover, Center Bearing Housing End | 0903 |
| 15. | Dowel, Center Bearing Housing | 0903 |
| 16. | Flinger, Center Bearing | 0903 |
| 17. | Bolt, Center Bearing | 0903 |
| 18. | Clamp, Center Bearing | 0903 |
| 19. | Nut, Center Bearing | 0903 |
| 20. | Sleeve, Center Bearing | 0903 |
| 21. | Washer, Center Bearing Sleeve | 0903 |
| 22. | Nut, Center Bearing Sleeve | 0903 |

Column #3 - Center Bearing Arrangement (Chassis EHID3869-3888) (For 8-Bolt Shafts)



| Ref. No. | PART NAME | Govt. Group |
|----------|-----------------------------------|-------------|
| 1. | Housing, Center Bearing | 0903 |
| 2. | Bearing, Center | 0903 |
| 3. | Plate, Center Bearing Felt Seal | 0903 |
| 4. | Nut, Center Bearing End Cover | 0903 |
| 5. | Washer, Center Bearing End Cover | 0903 |
| 6. | Bolt, Center Bearing End Cover | 0903 |
| 7. | Washer, Center Bearing Felt | 0903 |
| 8. | Cover, Center Bearing Housing End | 0903 |
| 9. | Dowel, Center Bearing Housing | 0903 |
| 10. | Flinger, Center Bearing | 0903 |
| 11. | Bolt, Center Bearing | 0903 |
| 12. | Clamp, Center Bearing | 0903 |
| 13. | Nut, Center Bearing | 0903 |
| 14. | Sleeve, Center Bearing | 0903 |
| 15. | Washer, Center Bearing Sleeve | 0903 |
| 16. | Nut, Center Bearing Sleeve | 0903 |

| Group No. | Part No. | Description | No. Req'd | | |
|---|--------------|---|-----------|--------|--------|
| | | | Col. 1 | Col. 2 | Col. 3 |
| 0903 - DRIVE SHAFT CENTER BEARING (Cont'd) | | | | | |
| Column #1 - Center Bearing Arrangement (For 4-Bolt Shafts) | | | | | |
| Column #2 - Center Bearing Arrangement (Chassis EHTID2273-2302) (For 8-Bolt Shafts) | | | | | |
| Column #3 - Center Bearing Arrangement (Chassis EH1D3869-3888) (For 8-Bolt Shafts) | | | | | |
| | 35 MUA 15 | Bearing Assembly, Center | 1 | - | - |
| | 9 CJA 111 | Bearing Assembly, Center | - | - | 1 |
| 102 | SJ 13 | Flinger, Center Bearing | 2 | - | - |
| | 9 CJA 111-4 | Flinger, Center Bearing | - | - | 2 |
| | 71 MU 21 | Flinger, Center Bearing | - | 2 | - |
| 141 | SJ 13 | Housing, Center Bearing | 1 | - | - |
| | 36 MUA 13 | Housing & Rubber Assembly, Center Bearing | - | 1 | - |
| | 9 CJA 111-1 | Housing, Center Bearing | - | - | 1 |
| | 46 AX 348 | Bearing, Center (SKF #I-71744) | 1 | - | - |
| | 46 AX 51 | Bearing, Center (SKF #2310) | - | 1 | 1 |
| 101 | SZ 18 | Fitting, Center Bearing Alemite | 1 | - | - |
| | 44 AX 62 | Fitting, Center Bearing Alemite (1/8") | - | 1 | - |
| 301 | SZ 17 | Seal, Center Bearing Garlock | 2 | - | - |
| | 41 AX 239 | Washer, Center Bearing Felt (2-5/16"x3-5/16") | - | 2 | - |
| | 9 CJA 111-9 | Washer, Center Bearing Felt | - | - | 2 |
| | 9 CJA 111-2 | Cover, Center Bearing Housing End | - | - | 2 |
| 70 | MU 21 | Cover, Center Bearing Housing End | - | 2 | - |
| | 1 AX 407 | Bolt, Center Bearing End Cover (5/16"-24) | - | 4 | - |
| | 1 AX 238 | Bolt, Center Bearing End Cover (5/16"-24 x 3-1/8") | - | - | 4 |
| | 20 AX 2 | Nut, Center Bearing End Cover (5/16"-24) | - | 4 | - |
| 36 | AX 2 | Washer, Center Bearing End Cover (5/16") | - | 4 | - |
| | 9 CJA 111-11 | Washer, Center Bearing End Cover | - | - | 4 |
| | 9 CJA 111-3 | Plate, Center Bearing Felt Seal | - | - | 2 |
| 69 | MU 21 | Plate, Center Bearing Felt Seal | - | 2 | - |
| 83 | AX 257 | Clamp, Center Bearing (2-1/2") | - | 2 | - |
| | 9 CJA 111-5 | Clamp, Center Bearing | - | - | 2 |
| | 8 AX 36 | Screw, Center Bearing Clamp (1/4"-20x1/2") | - | 2 | - |
| 23 | AX 104 | Nut, Center Bearing Clamp Bolt (1/4"-20) | - | 2 | - |
| | 9 CJA 111-6 | Sleeve, Center Bearing | - | - | 1 |
| 77 | MU 11 | Sleeve, Center Bearing | - | 1 | - |
| | 9 CJA 111-7 | Nut, Center Bearing Sleeve | - | - | 1 |
| 23 | AX 144 | Nut, Center Bearing Sleeve (1.799"-16N RH Thrd) | - | 1 | - |
| | 9 CJA 111-8 | Washer, Center Bearing Sleeve | - | - | 1 |
| 35 | AX 856 | Washer, Center Bearing Sleeve (2-7/16" x 1-29/32") | - | 1 | - |
| 20 | QL 24-P2 | Rubber, Center Bearing Housing | - | 2 | - |
| 31 | AX 95 | Dowel, Center Bearing Housing (3/16"x7/16") | - | 4 | - |
| | 9 CJA 111-13 | Dowel, Center Bearing Housing | - | - | 4 |
| 44 | RU 1105-P1 | Shim, Center Bearing Housing (1/16" Thick) | As | - | As |
| 44 | RU 1105-P2 | Shim, Center Bearing Housing (1/8" Thick) | Req. | - | Req. |
| 36 | MU 29 | Support, Center Bearing | - | 1 | - |
| | 1 AX 140 | Bolt, Center Bearing Support (5/8"-18x3") | - | 2 | - |
| 20 | AX 7 | Nut, Center Bearing Support (5/8"-18) | - | 2 | - |
| 37 | AX 172 | Washer, Center Bearing Support (41/64" x 1-3/8" x 1/8") | - | 2 | - |
| 123 | AX 36 | Palnut, Center Bearing Support (5/8"-18) | - | 2 | - |
| | 9 CJA 111-12 | Bolt & Nut, Center Bearing | - | - | 2 |
| | 1 AX 202 | Bolt, Center Bearing Mounting (1/2"-20 x 1-7/16") | 4 | - | 4 |
| 20 | AX 5 | Nut, Center Bearing Mounting (1/2"-20) | 4 | - | 4 |
| 36 | AX 5 | Washer, Center Bearing Mounting (.515") | 4 | - | 4 |

| Group No. | Part No. | Description | No. Req'd |
|-----------|----------|-------------|-----------|
|-----------|----------|-------------|-----------|

10 - FRONT AXLE

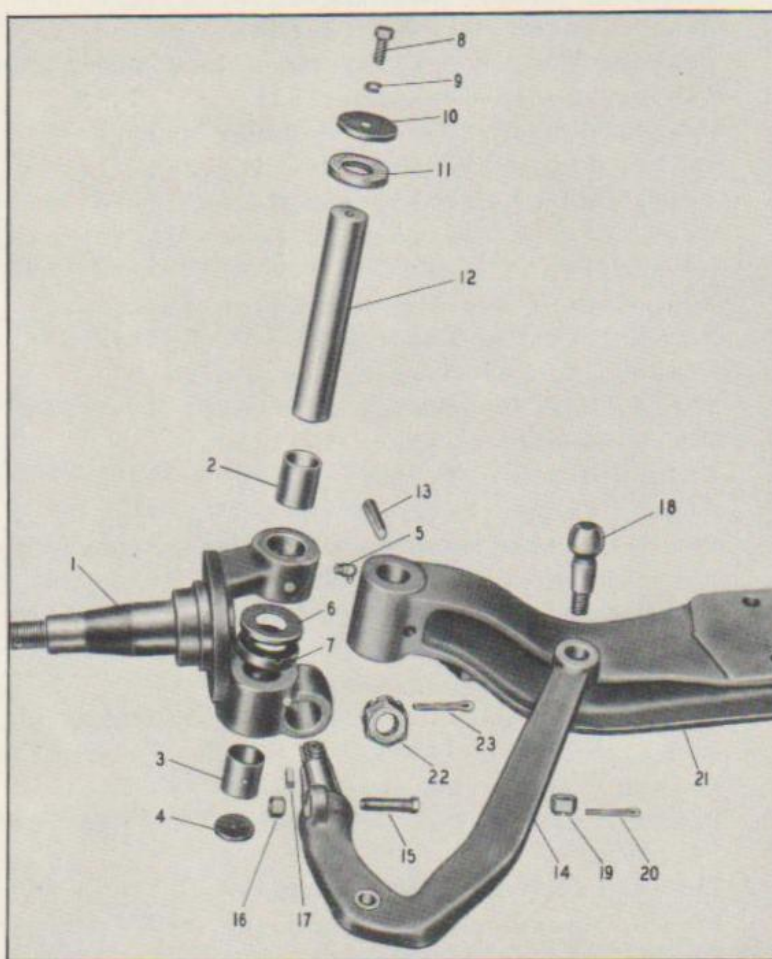
1000 - FRONT AXLE ASSEMBLY

| | | | |
|---|-----------|---|---|
| 1 | QHA 423P1 | Axle Assembly, Front (FA-35) (Hydraulic Brakes) (Complete with Brakes, Brake Drums and Wheels, less Springs, Rims and Attaching parts, Tires and Tubes) | 1 |
| 1 | QHA 424P1 | Axle Assembly, Front (FA-35) (Air Brakes) (Complete with Brakes, Brake Drums and Wheels, less Springs, Rims and Attaching parts, tires and tubes) | 1 |

1001 - HOUSING

| | | | |
|---|--------|----------------------|---|
| 3 | QH 312 | Axle, Front (Center) | 1 |
|---|--------|----------------------|---|

1007 - KING PINS, SPINDLE, ETC. (I BEAM AXLE)



| Ref. No. | PART NAME | Govt. Group | Ref. No. | PART NAME | Govt. Group | Ref. No. | PART NAME | Govt. Group |
|----------|---|-------------|----------|---------------------------------------|-------------|----------|--------------------------------|-------------|
| 1. | Knuckle & Bushing Assembly—Steering (L. H.) | 1007 | 8. | Screw—Steering Knuckle Pin | 1007 | 15. | Screw—Steering Arm Stop | 1007 |
| 2. | Bushing—Steering Knuckle | 1007 | 9. | Lockwasher—Steering Knuckle Pin Screw | 1007 | 16. | Nut—Steering Arm Stop Screw | 1007 |
| 3. | Bushing—Steering Knuckle | 1007 | 10. | Cup—Steering Knuckle | 1007 | 17. | Key—Steering Arm | 1007 |
| 4. | Plug—Steering Knuckle Expansion | 1007 | 11. | Felt—Steering Knuckle Cup | 1007 | 18. | Ball—Steering Lever | 1007 |
| 5. | Alemite—Steering Knuckle | 1007 | 12. | Pin—Steering Knuckle | 1007 | 19. | Nut—Steering Lever Ball | 1007 |
| 6. | Retainer—Thrust Bearing | 1007 | 13. | Pin—Steering Knuckle Draw | 1007 | 20. | Cotter—Steering Lever Ball Nut | 1007 |
| 7. | Bearing—Steering Knuckle Thrust | 1007 | 14. | Arm—Steering (L. H.) | 1007 | 21. | Axle Center—Front | 1001 |
| | | | | | | 22. | Nut—Steering Arm | 1007 |
| | | | | | | 23. | Pin—Steering Arm Nut Cotter | 1007 |

| Group No. | Part No. | Description | No. Req'd |
|-----------|----------|-------------|-----------|
|-----------|----------|-------------|-----------|

1007 - KING PINS, SPINDLE, ETC. (I BEAM AXLE) (Cont'd)

| | | | |
|----|---------|---|---|
| 19 | QHA 13 | Knuckle & Bushing Assembly, Steering RH | 1 |
| 19 | QHA 14 | Knuckle & Bushing Assembly, Steering LH | 1 |
| 80 | AX 201 | Bushing, Steering Knuckle (1.233 x 1-17/32") | 4 |
| 5 | QH 31P2 | Arm, Steering LH | 1 |
| 5 | QH 32P2 | Arm, Steering RH | 1 |
| 21 | AX 20 | Nut, Steering Arm (1"-14) | 2 |
| 29 | AX 7 | Cotter, Steering Arm Nut (1/8" x 2") | 2 |
| 7 | AX 197 | Screw, Steering Arm Stop (1/2"-20 x 1-13/16") | 2 |
| 20 | AX 5 | Nut, Steering Arm Stop Screw (1/2"-20) | 2 |
| 10 | QC 17 | Ball, Steering Lever | 1 |
| 19 | AX 7 | Nut, Steering Lever Ball (5/8"-18) | 1 |
| 29 | AX 5 | Cotter, Steering Lever Ball (1/8" x 1-1/2") | 1 |
| 22 | QH 11 | Pin, Steering Knuckle | 2 |
| 1 | AX 111 | Screw, Steering Knuckle Pin (3/8"-24 x 3/4") | 2 |
| 36 | AX 3 | Washer, Steering Knuckle Pin Screw Lock (3/8"x5/8"x3/32") | 2 |
| 41 | AX 186 | Felt, Steering Knuckle Cup (1-1/4"x1-13/16"x1/4") | 2 |
| 35 | AX 483 | Retainer, Thrust Bearing (1.245 x 2-7/32" x 1/4") | 2 |
| 44 | AX 65 | Alemite, Steering Knuckle (1/8") | 2 |
| 47 | AX 29 | Bearing, Steering Knuckle Thrust (Timken #T-126) | 2 |
| 79 | AX 25 | Plug, Steering Knuckle Expansion (1.50 x .083) | 2 |
| 31 | AX 279 | Pin, Steering Knuckle Draw (1/2" x 2-5/16") | 2 |
| 31 | AX 280 | Pin, Steering Knuckle Draw (1/2" x 2-5/16") | 2 |
| 31 | AX 281 | Pin, Steering Knuckle Draw (1/2" x 2-5/16") | 2 |
| 42 | AX 372 | Key, Steering Arm (1/4" x 1/4") | 2 |

11 - REAR AXLE

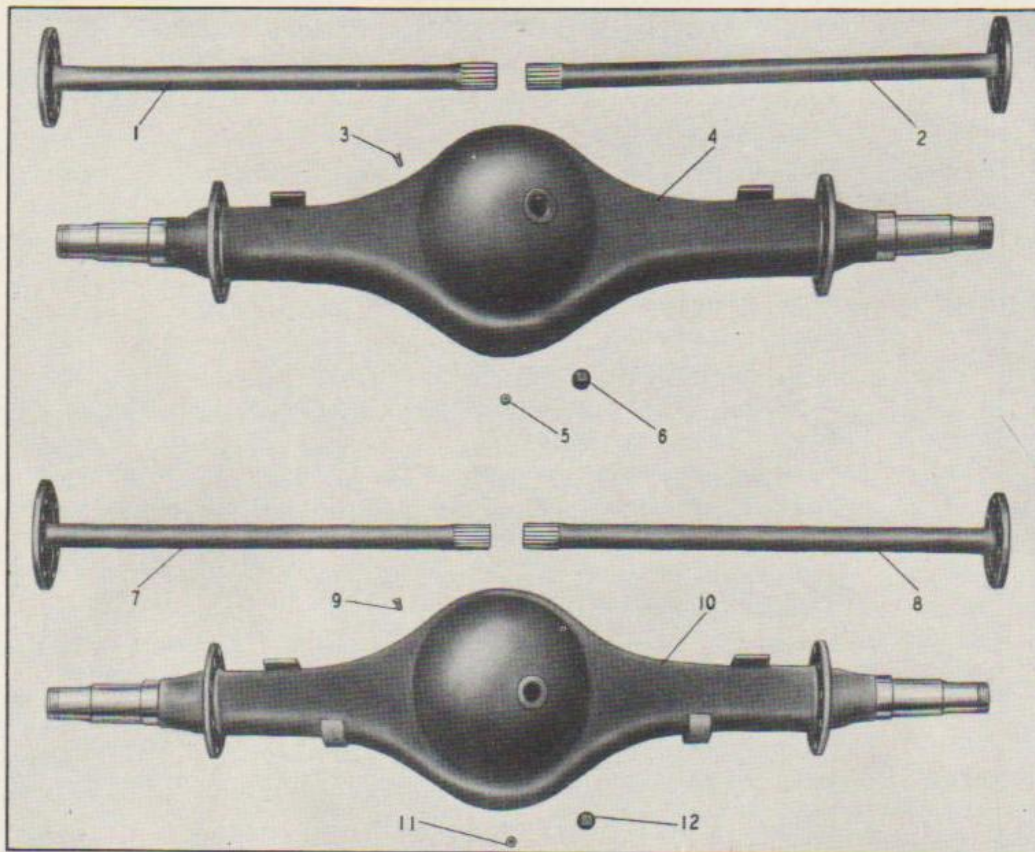
1100 - REAR AXLE ASSEMBLY

| | | | |
|---|-------------|---|---|
| 4 | QFA 515P2 | Axle Assembly, (Hydraulic Brakes) Rear (Complete with Brakes, Brake Drums, Wheel Cylinders, Carrier and Wheels) (Chassis EHU1D1425 to 1494 and EH1D3889 to 3943) (RA44) | 1 |
| 4 | QFA 520P2 | Axle Assembly, (Air Brakes) Rear (Complete with Brakes, Brake Drums, Air Chambers, Slack Adjusters, Carrier and Wheels) (Chassis EHUT1D1224 to 1403 and EHT1D2303 to 2412) (RA44) | 1 |
| 4 | QFA 526P2 | Axle Assembly, (Hydraulic Brakes) Rear (Complete with Brakes, Brake Drums, Wheel Cylinders, Carrier and Wheels) (Chassis EH1S2833 to 3072) (RA36) | 1 |
| 4 | QFA 527P2 | Axle Assembly, (Hydraulic Brakes) Rear (Complete with Brakes, Brake Drums, Wheel Cylinders, Carrier and wheels) (Chassis EH1S2637 to 2831) (RA36) | 1 |
| 4 | QFA 1387P4 | Axle Assembly, (Hydraulic Brakes) Rear (Complete with Brakes, Brake Drums, Wheel Cylinders, Carrier and Wheels) (Chassis EH1D3869 to 3888) (RA44) | 1 |
| 4 | QFA 1387P10 | Axle Assembly, (Air Brakes) Rear (Complete with Brakes, Brake Drums, Air Chambers, Slack Adjusters, Carrier and Wheels) (Chassis EHT1D2273 to 2302) (RA44) | 1 |

1101
1103

| Group No. | Part No. | Description | No. Req'd |
|-----------|----------|-------------|-----------|
|-----------|----------|-------------|-----------|

1101 - HOUSING ASSEMBLY



| Ref. No. | PART NAME | Govt. Group | Ref. No. | PART NAME | Govt. Group | Ref. No. | PART NAME | Govt. Group |
|----------|---|-------------|----------|-------------------------------|-------------|----------|---|-------------|
| 1. | Shaft—Rear Axle (LH) | 1102 | 5. | Plug—Rear Axle Housing Drain | 1101 | 9. | Breather—Rear Axle Housing | 1101 |
| 2. | Shaft—Rear Axle (RH) | 1102 | 6. | Plug—Rear Axle Housing Filler | 1101 | 10. | Housing Assembly—Rear Axle (Air Brakes) | 1101 |
| 3. | Breather—Rear Axle Housing | 1101 | 7. | Shaft—Rear Axle (LH) | 1102 | 11. | Plug—Rear Axle Housing Drain | 1101 |
| 4. | Housing Assembly—Rear Axle (Hydraulic Brakes) | 1101 | 8. | Shaft—Rear Axle (RH) | 1102 | 12. | Plug—Rear Axle Housing Filler | 1101 |

| | | |
|------------|--|---|
| 19 QF 36 | Housing Assembly, Rear Axle (Air Brakes) | 1 |
| 19 QF 47 | Housing Assembly, Rear Axle (Hydraulic Brakes) | 1 |
| 63 AX 51 | Plug, Rear Axle Housing Drain (1/2") | 1 |
| 63 AX 575 | Plug, Rear Axle Housing Filler (1/4") | 1 |
| 541 KBA 12 | Breather, Rear Axle Housing | 1 |

1102 - AXLE DRIVE SHAFTS

| | | |
|-------------|---|----|
| 68 KH 353P1 | Shaft, Rear Axle RH | 1 |
| 68 KH 353P2 | Shaft, Rear Axle LH | 1 |
| 11 CG 198 | Gasket, Rear Axle Shaft Flange | 2 |
| 18 AX 340 | Stud, Rear Axle Shaft Flange (9/16"-18x2-1/2"x9/16"-12) | 16 |
| 20 AX 6 | Nut, Rear Axle Shaft Flange Stud (9/16"-18) | 16 |
| 36 AX 6 | Washer, Rear Axle Shaft Flange Stud (0.593) | 16 |

1103 - DIFFERENTIAL CASE AND CARRIER ASSEMBLY AND BEARINGS

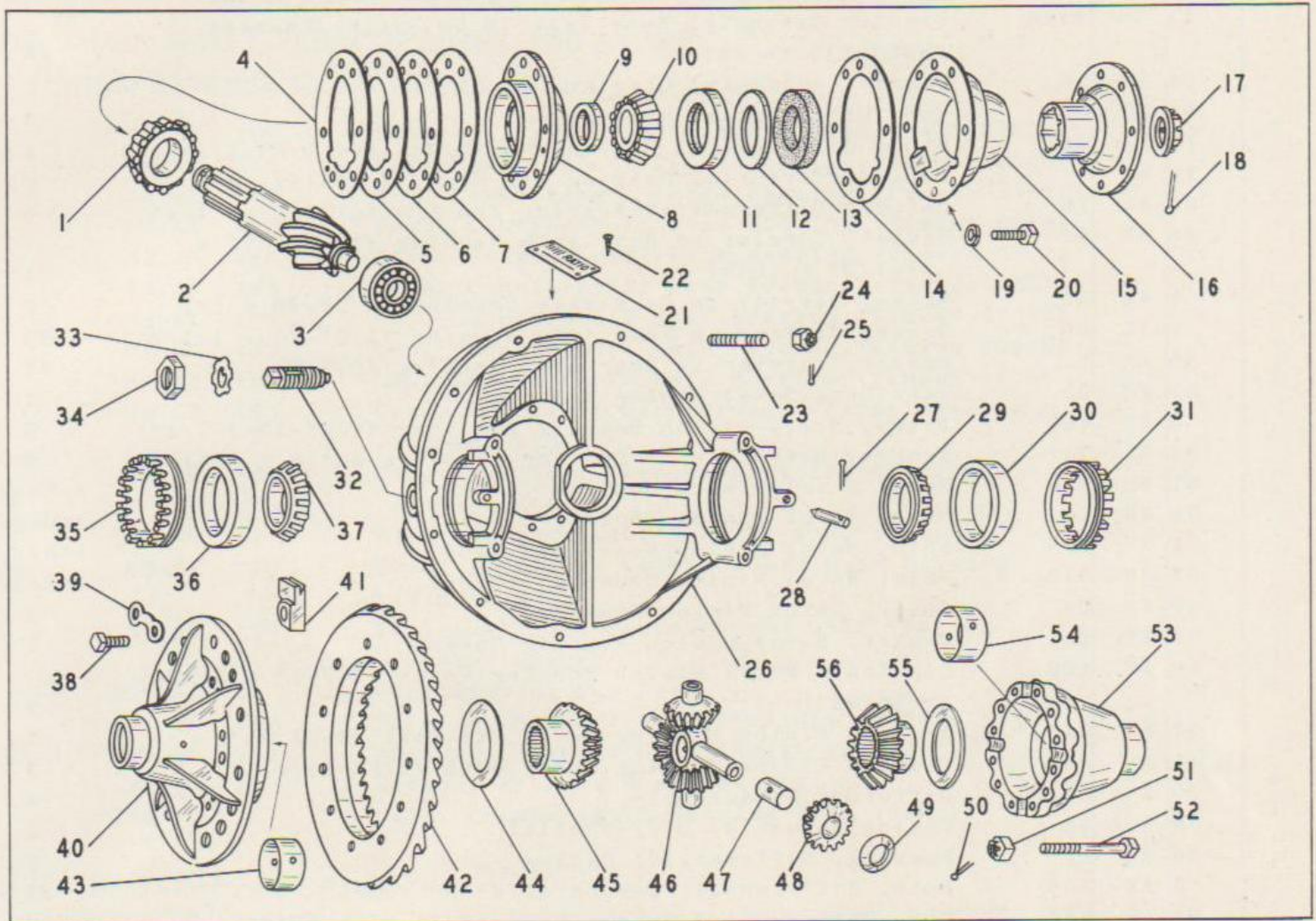
Single Reduction Carrier

| | | |
|-------------|---|---|
| 11 KHA 1131 | Carrier Assembly, Rear Axle (6.14 Ratio) (Chassis EH1S2637 to 2831) | 1 |
|-------------|---|---|

Group
No.

1103 - DIFFERENTIAL CASE AND CARRIER ASSEMBLY AND BEARINGS (Cont'd)

Single Reduction Carrier (Cont'd)



| Ref. No. | PART NAME | Govt. Group | Ref. No. | PART NAME | Govt. Group | Ref. No. | PART NAME | Govt. Group |
|----------|---|-------------|----------|---|-------------|----------|--|-------------|
| 1. | Cone—Bevel Pinion Bearing | 1104 | 22. | Screw—Ratio and Patent Number Plate | 2202 | 40. | Casing Assembly—Differential (L. H.) (Use Complete Differential Casing Assembly) | 1103 |
| 2. | Pinion—Bevel (Use Gear & Pinion Mated Assembly) | 1104 | 23. | Stud—Differential Bearing Cap | 1103 | 41. | Shoe—Bevel Gear | 1104 |
| 3. | Bearing—Bevel Pinion Spigot | 1104 | 24. | Nut—Differential Bearing Cap Stud | 1103 | 42. | Gear—Bevel (Use Gear and Pinion Mated Assembly) | 1104 |
| 4. | Shim—Bevel Pinion Housing | 1103 | 25. | Cotter—Differential Bearing Cap Stud Nut | 1103 | 43. | Bushing—Differential Casing | 1103 |
| 5. | Shim—Bevel Pinion Housing | 1103 | 26. | Housing Assembly—Carrier | 1103 | 44. | Washer—Differential Side Gear Thrust | 1104 |
| 6. | Shim—Bevel Pinion Housing | 1103 | 27. | Cotter—Differential Bearing Adjusting Nut Pin | 1103 | 45. | Gear—Differential Side | 1104 |
| 7. | Shim—Bevel Pinion Housing | 1103 | 28. | Pin—Differential Bearing Adjusting Nut | 1103 | 46. | Spider—Differential | 1104 |
| 8. | Retainer—Bevel Pinion Bearing | 1103 | 29. | Cone—Differential Bearing | 1103 | 47. | Bushing—Differential Pinion | 1104 |
| 9. | Spacer—Bevel Pinion Bearing | 1104 | 30. | Cup—Differential Bearing | 1103 | 48. | Pinion and Bushing Assembly—Differential | 1104 |
| 10. | Cone—Bevel Pinion Bearing | 1104 | 31. | Nut—Differential Bearing Adjusting | 1103 | 49. | Washer—Differential Pinion Thrust | 1104 |
| 11. | Oil Seal—Bevel Pinion Housing Cover | 1103 | 32. | Screw—Bevel Gear Thrust | 1104 | 50. | Cotter—Differential Casing Bolt Nut | 1103 |
| 12. | Washer—Bevel Pinion Housing Cover Oil Seal | 1103 | 33. | Washer—Bevel Gear Thrust Screw Nut Lock | 1104 | 51. | Nut—Differential Casing Bolt | 1103 |
| 13. | Washer—Bevel Pinion Housing Cover Felt | 1103 | 34. | Nut—Bevel Gear Thrust Screw | 1104 | 52. | Bolt—Differential Casing | 1103 |
| 14. | Gasket—Bevel Pinion Housing Cover | 1103 | 35. | Nut—Differential Bearing Adjusting | 1103 | 53. | Casing Assembly—Differential (R. H.) (Use Complete Differential Casing Assembly) | 1103 |
| 15. | Cover—Bevel Pinion Housing | 1103 | 36. | Cup—Differential Bearing | 1103 | 54. | Bushing—Differential Casing | 1103 |
| 16. | Flange—Drive | 0901 | 37. | Cone—Differential Bearing | 1103 | 55. | Washer—Differential Side Gear Thrust | 1104 |
| 17. | Nut—Drive Flange | 0901 | 38. | Screw—Bevel Gear | 1104 | 56. | Gear—Differential Side | 1104 |
| 18. | Cotter—Drive Flange Nut | 0901 | 39. | Lock—Bevel Gear Screw | 1104 | | | |
| 19. | Washer—Bevel Pinion Bearing Retainer Screw | 1103 | | | | | | |
| 20. | Screw—Bevel Pinion Bearing Retainer | 1103 | | | | | | |
| 21. | Plate—Ratio and Patent Number | 2202 | | | | | | |

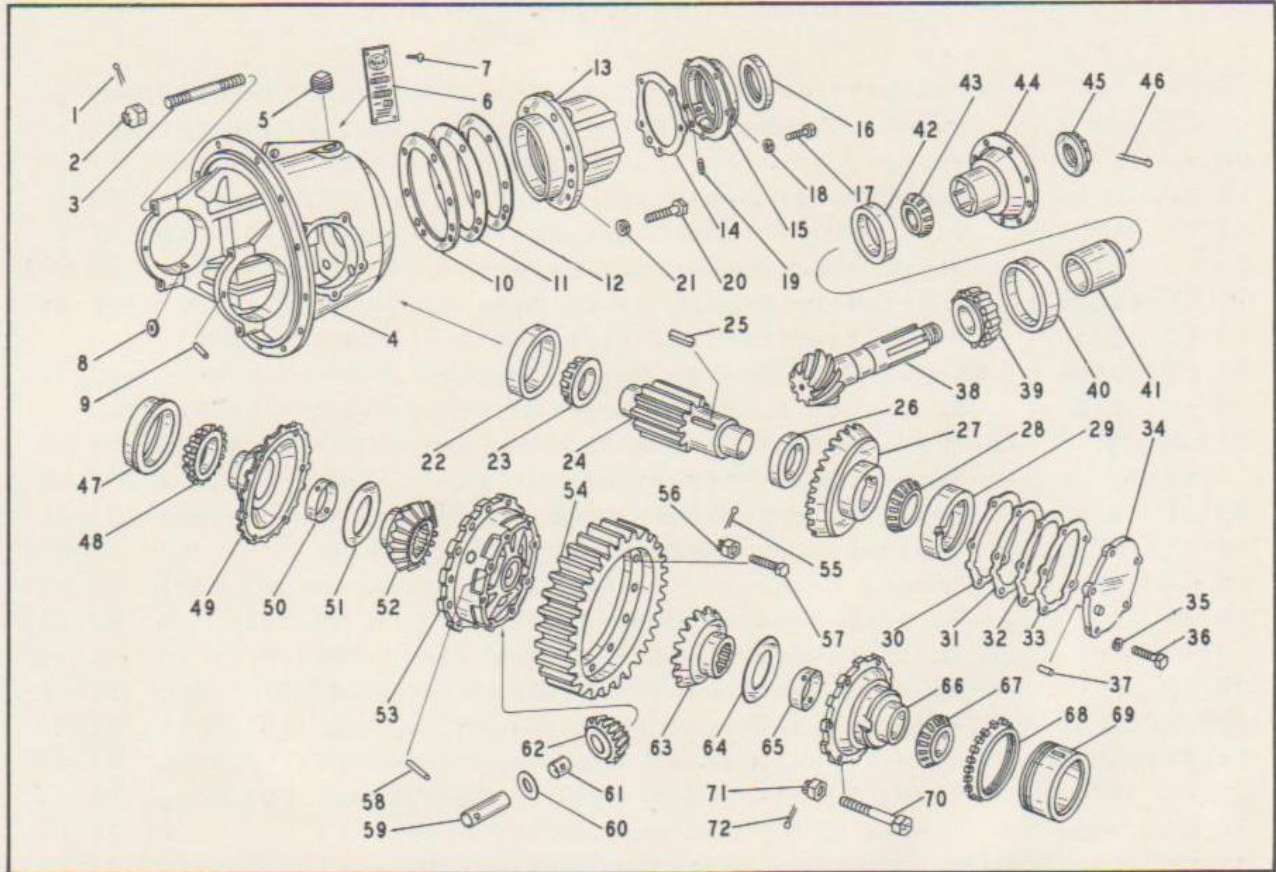
| Group No. | Part No. | Description | No. Req'd |
|---|----------|---|-----------|
| 1103 - DIFFERENTIAL CASE AND CARRIER ASSEMBLY AND BEARINGS (Cont'd) | | | |
| Single Reduction Carrier (Cont'd) | | | |
| 11 | KHA 1132 | Carrier Assembly, Rear Axle (6.86 Ratio) (Chassis EH1S2833 to 3072) | 1 |
| 64 | KHA 23 | Housing Assembly, Carrier | 1 |
| 41 | KH 32 | Cap, Differential Bearing | 2 |
| 18 | AX 326 | Stud, Differential Bearing Cap (5/8"-18x4-3/8"x5/8"-11) | 4 |
| 19 | AX 7 | Nut, Differential Bearing Cap Stud (5/8"-18) | 4 |
| 29 | AX 13 | Cotter, Differential Bearing Cap Stud Nut (1/8"x1-1/4") | 4 |
| 56 | AX 92 | Gasket, Carrier to Rear Axle Housing (14-25/32" x 17-1/8" x .015) | 1 |
| 1 | AX 59 | Screw, Carrier to Rear Axle Housing (1/2"-20 x 2") | 2 |
| 1 | AX 60 | Screw, Carrier to Rear Axle Housing (1/2"-20 x 1-1/2") | 10 |
| 36 | AX 5 | Washer, Carrier to Rear Axle Housing (0.515) | 12 |
| 53 | KH 22 | Retainer, Bevel Pinion Bearing | 1 |
| 6 | AX 402 | Screw, Bevel Pinion Bearing Retainer (1/2"-13x1-3/4") | 6 |
| 36 | AX 41 | Washer, Bevel Pinion Bearing Retainer Screw (.515) | 6 |
| 51 | KH 213 | Shim, Bevel Pinion Housing (.0123) | AsReq. |
| 51 | KH 214 | Shim, Bevel Pinion Housing (.0153) | AsReq. |
| 51 | KH 215 | Shim, Bevel Pinion Housing (.0184) | AsReq. |
| 51 | KH 216 | Shim, Bevel Pinion Housing (.0306) | AsReq. |
| 49 | KH 24 | Cover, Bevel Pinion Housing | 1 |
| 50 | KH 23 | Gasket, Bevel Pinion Housing Cover | 1 |
| 88 | AX 126 | Oil Seal, Bevel Pinion Housing Cover (2-3/4" x 3.883 x 15/32") | 1 |
| 37 | AX 315 | Washer, Pinion Housing Cover Oil Seal (2-27/32") | 1 |
| 41 | AX 236 | Washer, Pinion Housing Cover Felt (1/2"-13 x 1") | 1 |
| 30 | KHA 37 | Differential Assembly | 1 |
| 30 | KHA 36 | Casing Assembly, Differential | 1 |
| 36 | KH 12 | Bushing, Differential Casing | 2 |
| 3 | AX 558 | Bolt, Differential Casing (1/2"-20 x 4") | 12 |
| 21 | AX 269 | Nut, Differential Casing Bolt (1/2"-20 x 9/16") | 12 |
| 29 | AX 3 | Cotter, Differential Casing Bolt Nut (3/32" x 1") | 12 |
| 62 | AX 280 | Cone, Differential Bearing (Timken #33281) | 2 |
| 64 | AX 160 | Cup, Differential Bearing (Timken #33462) | 2 |
| 43 | KH 22 | Nut, Differential Bearing Adjusting | 2 |
| 44 | KH 11 | Pin, Differential Bearing Adjusting Nut | 2 |
| 29 | AX 13 | Cotter, Differential Bearing Adjusting Nut Pin (1/8" x 1-1/4") | 2 |

Dual Reduction Carrier

| | | | |
|----|----------|---|---|
| 11 | KHA 188 | Carrier Assembly, Rear Axle (7.63 Ratio) (1600 Series) (Chassis EH1D3869 to 3888 and EHT1D2273 to 2302) | 1 |
| 11 | KHA 1136 | Carrier Assembly, Rear Axle (7.63 Ratio) (1500 Series) (Chassis EHUT1D1224 to 1403 and EHT1D2303 to 2412) | 1 |
| 11 | KHA 1137 | Carrier Assembly, Rear Axle (8.59 Ratio) (1500 Series) (Chassis EHU1D1425 to 1494 and EH1D3889 to 3943) | 1 |
| 64 | KHA 32 | Housing Assembly, Carrier | 1 |
| 63 | AX 4 | Plug, Bevel Pinion Housing Oil (1/4") | 1 |
| 63 | AX 78 | Plug, Inspection (2") | 1 |
| 11 | BG 260 | Cap, Differential Bearing | 2 |
| 16 | AX 273 | Stud, Differential Bearing Cap (5/8"-18x4-19/32"x5/8"-11) | 4 |
| 19 | AX 7 | Nut, Differential Bearing Cap Stud (5/8"-18) | 4 |
| 29 | AX 13 | Cotter, Differential Bearing Cap & Stud Nut (1/8"x1-1/4") | 4 |

1103 - DIFFERENTIAL CASE AND CARRIER ASSEMBLY AND BEARINGS (Cont'd)

Dual Reduction Carrier (Cont'd)



| Ref. No. | PART NAME | Govt. Group | Ref. No. | PART NAME | Govt. Group | Ref. No. | PART NAME | Govt. Group |
|----------|--|-------------|----------|---|-------------|----------|--|-------------|
| 1. | Cotter—Differential Bearing Cap Stud Nut | 1103 | 25. | Key—Bevel Gear | 1104 | 48. | Cone—Differential Bearing | 1103 |
| 2. | Nut—Differential Bearing Cap Stud | 1103 | 26. | Spacer—Bevel Gear | 1104 | 49. | Cover and Bushing Assembly—Differential Casing | 1103 |
| 3. | Stud—Differential Bearing Cap | 1103 | 27. | Gear—Bevel (Use Bevel Gear & Pinion Mated Assembly) | 1104 | 50. | Bushing—Differential Casing Cover | 1103 |
| 4. | Housing Assembly—Carrier | 1103 | 28. | Cone—Spur Pinion Shaft Bearing | 1104 | 51. | Washer—Differential Side Gear Thrust | 1104 |
| 5. | Plug—Inspection | 1103 | 29. | Cup—Spur Pinion Shaft Bearing | 1104 | 52. | Gear—Differential Side | 1104 |
| 6. | Plate—Ratio and Patent Number | 2202 | 30. | Shim—Spur Pinion Shaft Bearing Cover | 1103 | 53. | Differential Assembly | 1103 |
| 7. | Screw—Ratio and Patent Number Plate | 2202 | 31. | Shim—Spur Pinion Shaft Bearing Cover | 1103 | 54. | Gear—Spur | 1104 |
| 8. | Lock—Differential Bearing Cup | 1103 | 32. | Shim—Spur Pinion Shaft Bearing Cover | 1103 | 55. | Cotter—Spur Gear Bolt Nut | 1104 |
| 9. | Pin—Differential Bearing Adjusting Ring Lock | 1103 | 33. | Shim—Spur Pinion Shaft Bearing Cover | 1103 | 56. | Nut—Spur Gear Bolt | 1104 |
| 10. | Shim—Bevel Pinion Housing Adjusting | 1103 | 34. | Cover & Pin Assembly—Spur Pinion Shaft Bearing | 1103 | 57. | Bolt—Spur Gear | 1104 |
| 11. | Shim—Bevel Pinion Housing Adjusting | 1103 | 35. | Washer—Spur Pinion Shaft Bearing Cover Screw | 1103 | 58. | Pin—Differential Pinion Stud | 1104 |
| 12. | Shim—Bevel Pinion Housing Adjusting | 1103 | 36. | Screw—Spur Pinion Shaft Bearing Cover | 1103 | 59. | Stud—Differential Pinion | 1104 |
| 13. | Housing & Cup Assembly—Bevel Pinion | 1103 | 37. | Pin—Spur Pinion Shaft Bearing Cover | 1103 | 60. | Washer—Differential Pinion Thrust | 1104 |
| 14. | Gasket—Bevel Pinion Housing Cover | 1103 | 38. | Pinion—Bevel (Use Bevel Gear & Pinion Mated Assembly) | 1104 | 61. | Bushing—Differential Pinion | 1104 |
| 15. | Cover—Bevel Pinion Housing | 1103 | 39. | Cone—Bevel Pinion Bearing (Rear) | 1104 | 62. | Pinion Bushing Assembly—Differential | 1104 |
| 16. | Seal—Bevel Pinion Housing Cover Oil | 1103 | 40. | Cup—Bevel Pinion Bearing (Rear) | 1104 | 63. | Gear—Differential Side | 1104 |
| 17. | Screw—Bevel Pinion Housing Cover | 1103 | 41. | Spacer—Bevel Pinion Bearing | 1104 | 64. | Washer—Differential Side Gear Thrust | 1104 |
| 18. | Washer—Bevel Pinion Housing Cover Screw Lock | 1103 | 42. | Cup—Bevel Pinion Bearing (Front) | 1104 | 65. | Bushing—Differential Casing Cover | 1103 |
| 19. | Plug—Bevel Pinion Housing Oil | 1103 | 43. | Cone—Bevel Pinion Bearing (Front) | 1104 | 66. | Cover and Bushing Assembly—Differential Casing | 1103 |
| 20. | Screw—Bevel Pinion Housing | 1103 | 44. | Flange—Drive | 0901 | 67. | Cone—Differential Bearing (R. H.) | 1103 |
| 21. | Washer—Bevel Pinion Housing Screw | 1103 | 45. | Nut—Drive Flange | 0901 | 68. | Ring—Differential Bearing Retainer Adjusting | 1103 |
| 22. | Cup—Spur Pinion Shaft Bearing | 1104 | 46. | Cotter—Drive Flange Nut | 0901 | 69. | Cup—Differential Bearing (R. H.) | 1103 |
| 23. | Cone—Spur Pinion Shaft Bearing | 1104 | 47. | Cup—Differential Bearing (L. H.) | 1103 | 70. | Bolt—Differential Casing Cover | 1103 |
| 24. | Shaft—Spur Pinion | 1104 | | | | 71. | Nut—Differential Casing Cover Bolt | 1103 |
| | | | | | | 72. | Cotter—Differential Casing Cover Bolt Nut | 1103 |

| Group No. | Part No. | Description | No. Req'd |
|---|----------|---|-----------|
| 1103 - DIFFERENTIAL CASE AND CARRIER ASSEMBLY AND BEARINGS (Cont'd) | | | |
| Dual Reduction Carrier (Cont'd) | | | |
| 56 AX | 92 | Gasket, Carrier to Rear Axle Housing (14-25/32") | 1 |
| 1 AX | 60 | Screw, Carrier to Rear Axle Housing (1/2"-20x1-1/2") | 12 |
| 36 AX | 5 | Washer, Carrier to Rear Axle Housing (0.515) | 12 |
| 11 CTA | 131A | Cover & Pin Assembly, Spur Pinion Shaft Bearing | 2 |
| 31 AX | 138 | Pin, Spur Pinion Shaft Bearing Cover (3/8"x5/8") | 2 |
| 11 CT | 219 | Shim, Spur Pinion Shaft Bearing Cover (.0123) | AsReq. |
| 11 CT | 220 | Shim, Spur Pinion Shaft Bearing Cover (.0153) | AsReq. |
| 11 CT | 221 | Shim, Spur Pinion Shaft Bearing Cover (.0184) | AsReq. |
| 11 CT | 222 | Shim, Spur Pinion Shaft Bearing Cover (.0306) | AsReq. |
| 6 AX | 272 | Screw, Spur Pinion Bearing Cover (1/2"-13x1-1/2") | 6 |
| 36 AX | 5 | Washer, Spur Pinion Bearing Cover Screw (0.515) | 6 |
| 6 AX | 362 | Screw, Spur Pinion Bearing Cover (9/16"-12x1-1/2") | 2 |
| 36 AX | 6 | Washer, Spur Pinion Bearing Cover Screw (0.593) | 2 |
| 11 CLA | 225A | Housing & Cup Assembly, Bevel Pinion | 1 |
| 6 AX | 338 | Screw, Bevel Pinion Housing (9/16"-12x2-3/16") | 1 |
| 36 AX | 6 | Washer, Bevel Pinion Housing Screw (0.593) | 1 |
| 4 AX | 188 | Screw, Bevel Pinion Housing (1/2"-13x2-3/16") | 5 |
| 36 AX | 5 | Washer, Bevel Pinion Housing Screw (0.515) | 5 |
| 11 CL | 222 | Shim, Bevel Pinion Housing Adjusting (.0123) | AsReq. |
| 11 CL | 223 | Shim, Bevel Pinion Housing Adjusting (.0153) | AsReq. |
| 11 CL | 224 | Shim, Bevel Pinion Housing Adjusting (.0184) | AsReq. |
| 49 KH | 310 | Cover, Bevel Pinion Housing | 1 |
| 11 CL | 150A | Gasket, Bevel Pinion Housing Cover | 1 |
| 4 AX | 1 | Screw, Bevel Pinion Housing Cover (3/8"-16 x 1) | 5 |
| 36 AX | 3 | Washer, Bevel Pinion Housing Cover (3/8") | 5 |
| 88 AX | 126 | Seal, Bevel Pinion Housing Cover Oil (2-3/4"x3.881) | 1 |
| 11 EHA | 318A | Differential Assembly | 1 |
| 11 EH | 322 | Casing, Differential | 1 |
| 11 EHA | 135A | Cover & Bushing Assembly, Differential Casing | 2 |
| 11 EH | 155 | Bushing, Differential Casing Cover | 2 |
| 8 AC | 115A | Bolt, Differential Casing Cover | 6 |
| 21 AX | 173 | Nut, Differential Casing Cover Bolt (9/16"-18x39/64") | 6 |
| 29 AX | 12 | Cotter, Differential Casing Cover Bolt Nut (1/2"x1) | 6 |
| 64 AX | 123 | Cup, Differential Bearing LH | 1 |
| 64 AX | 127 | Cup, Differential Bearing RH | 1 |
| 62 AX | 102 | Cone, Differential Bearing (Timken #482) | 2 |
| 11 BG | 24 | Ring, Differential Bearing Retainer Adjusting | 1 |
| 31 AX | 126 | Pin, Differential Bearing Adjusting Ring Lock (5/16" x 1-3/4") | 1 |
| 29 AX | 3 | Cotter, Differential Bearing Adjusting Ring Lock Pin (3/32" x 1) | 1 |
| 37 AX | 261 | Lock, Differential Bearing Cup (41/64"x1"x.1093) | 2 |

| Group No. | Part No. | Description | No. Req'd |
|-----------|----------|-------------|-----------|
|-----------|----------|-------------|-----------|

1104 - DRIVE GEAR AND PINION AND BEARINGS

Single Reduction Carrier

| | | | |
|--------|------|--|----|
| 11 CWA | 113A | Pinion & Bushing Assembly, Differential | 4 |
| 11 CW | 112A | Bushing, Differential Pinion | 4 |
| 32 KH | 21B | Spider, Differential | 1 |
| 11 CW | 111 | Washer, Differential Pinion Thrust | 4 |
| 34 KH | 32 | Gear, Differential Side | 2 |
| 38 KH | 11 | Washer, Differential Side Gear Thrust | 2 |
| 24 KHA | 122 | Gear & Pinion Mated Assembly, Bevel (6.14 Ratio) (Chassis EH1S2637 to 2831) | 1 |
| 24 KHA | 123 | Gear & Pinion Mated Assembly, Bevel (6.86 Ratio) (Chassis EH1S2833 to 3072) | 1 |
| 47 KH | 413 | Gear, Bevel (6.14 Ratio) (Not serviced - See 24KHA122) | 1 |
| 47 KH | 414 | Gear, Bevel (6.86 Ratio) (Not serviced - See 24KHA123) | 1 |
| 3 AX | 561 | Screw, Bevel Gear (9/16"-18 x 1-1/8") | 12 |
| 70 KH | 12 | Lock, Bevel Gear Screw | 6 |
| 66 KH | 12 | Shoe, Bevel Gear | 1 |
| 72 KH | 13 | Screw, Bevel Gear Thrust | 1 |
| 21 AX | 35 | Nut, Bevel Gear Thrust Screw (1-1/8"-12) | 1 |
| 35 AX | 289 | Washer, Bevel Gear Thrust Screw Lock (1-9/64") | 1 |
| 46 KH | 319 | Pinion, Bevel (6.14 Ratio) (Not serviced - See 24KHA122) | 1 |
| 46 KH | 320 | Pinion, Bevel (6.86 Ratio) (Not serviced - See 24KHA123) | 1 |
| 21 AX | 355 | Nut, Bevel Pinion (1-1/4"-12) | 1 |
| 29 AX | 7 | Cotter, Bevel Pinion Nut (1/8" x 2") | 1 |
| 62 AX | 214 | Cone, Bevel Pinion Bearing (Timken #66187) | 2 |
| 67 AX | 119 | Bearing, Bevel Pinion Spigot (Hyatt #U-1306-TAM) | 1 |
| 11 CW | 110 | Spacer, Bevel Pinion Bearing | 1 |

Dual Reduction Carrier

| | | | |
|--------|------|---|----|
| 11 EHA | 137 | Pinion & Bushing Assembly, Differential | 3 |
| 11 EH | 148 | Bushing, Differential Pinion | 3 |
| 11 EH | 145 | Stud, Differential Pinion | 3 |
| 31 AX | 208 | Pin, Differential Pinion Stud (5/16 x 2-1/8") | 3 |
| 11 EH | 147 | Washer, Differential Pinion Thrust | 3 |
| 11 EH | 320 | Gear, Differential Side | 2 |
| 11 EH | 146 | Washer, Differential Side Gear Thrust | 2 |
| 11 EH | 321 | Gear, Spur | 1 |
| 11 AB | 157A | Bolt, Spur Gear | 12 |
| 21 AX | 269 | Nut, Spur Gear Bolt (1/2"-20) | 12 |
| 29 AX | 3 | Cotter, Spur Gear Bolt Nut (3/32" x 1") | 12 |
| 11 EHA | 141B | Gear & Pinion Mated Assembly, Bevel (7.63 Ratio) (Chassis EH1D3869 to 3888, EHUT1D1224 to 1403 and EHT1D2273 to 2412) | 1 |
| 11 EHA | 142B | Gear & Pinion Mated Assembly, Bevel (8.59 Ratio) (Chassis EHU1D1425 to 1494 and EH1D3889 to 3943) | 1 |
| 11 EH | 329 | Gear, Bevel (7.63 Ratio) (Not serviced - see 11EHA141B) | 1 |
| 11 EH | 331 | Gear, Bevel (8.59 Ratio) (Not serviced - see 11EHA142B) | 1 |
| 42 AX | 286 | Key, Bevel Gear (.626 x 1/2" x 1-3/4") | 1 |
| 11 EH | 149 | Spacer, Bevel Gear | 1 |
| 11 EH | 330B | Pinion, Bevel (7.63 Ratio) (Not serviced - see 11EHA141B) | 1 |
| 11 EH | 332B | Pinion, Bevel (8.59 Ratio) (Not serviced - see 11EHA142B) | 1 |
| 23 AX | 224 | Nut, Bevel Pinion (Chassis EH1D3869 to 3888 and EHT1D2273 to 2302) (1-3/8"-12) | 1 |

| Group No. | Part No. | Description | No. Req'd |
|-----------|----------|-------------|-----------|
|-----------|----------|-------------|-----------|

1104 - DRIVE GEAR AND PINION AND BEARINGS (Cont'd)

Dual Reduction Carrier (Cont'd)

| | | | |
|-------|-----|---|--------|
| 21 AX | 237 | Nut, Bevel Pinion (Chassis EHU1D1425 to 1494, EH1D3889 to 3943, EHUT1D1224 to 1403 and EHT1D2303 to 2412) (1-3/8"-12) | 1 |
| 29 AX | 33 | Cotter, Bevel Pinion Nut (Chassis EH1D3869 to 3888 and EHT1D2273 to 2302) (3/16" x 2") | 1 |
| 29 AX | 8 | Cotter, Bevel Pinion Nut (Chassis EHU1D1425 to 1494, EH1D3889 to 3943, EHUT1D1224 to 1403 and EHT1D2303 to 2412) (3/16" x 2-1/4") | 1 |
| 64 AX | 105 | Cup, Bevel Pinion Bearing (Front) (Timken #59425) | 1 |
| 64 AX | 89 | Cup, Bevel Pinion Bearing (Rear) (Timken #632) | 1 |
| 62 AX | 201 | Cone, Bevel Pinion Bearing (Front) (Timken #59200) | 1 |
| 62 AX | 190 | Cone, Bevel Pinion Bearing (Rear) (Timken #636) | 1 |
| 11 EH | 150 | Spacer, Bevel Pinion Bearing | 1 |
| 11 EH | 151 | Shim, Bevel Pinion Bearing Spacer (.003) | AsReq. |
| 11 EH | 152 | Shim, Bevel Pinion Bearing Spacer (.005) | AsReq. |
| 11 EH | 153 | Shim, Bevel Pinion Bearing Spacer (.016) | AsReq. |
| 11 EH | 154 | Shim, Bevel Pinion Bearing Spacer (1/32") | AsReq. |
| 11 EH | 231 | Shaft, Spur Pinion | 1 |
| 64 AX | 122 | Cup, Spur Pinion Shaft Bearing | 2 |
| 62 AX | 192 | Cone, Spur Pinion Shaft Bearing (Timken #65225) | 2 |

12 - BRAKES

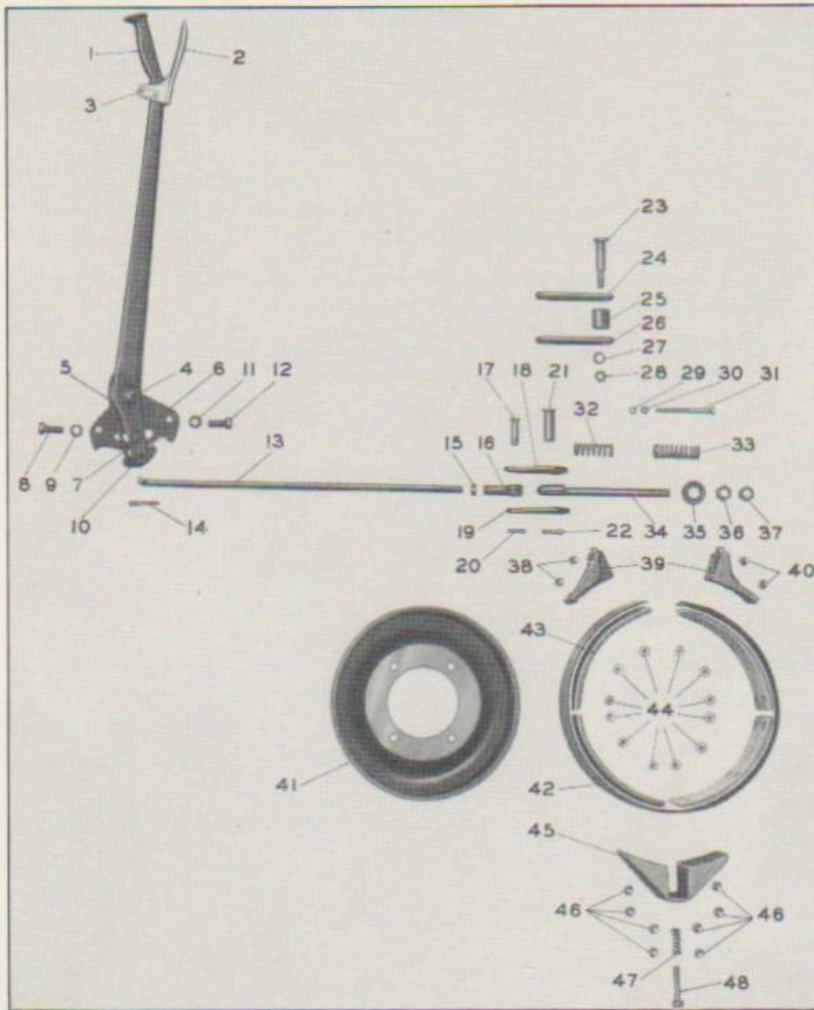
1201 - HAND BRAKE AND EMERGENCY BRAKE

Emergency Brake (Models EH, EHU, EHT and EHUT)

| | | | |
|-------|--------|---|----|
| 1 MWA | 424-P1 | Brake Assembly, Emergency | 1 |
| 3 MWA | 34-P1 | Band Assembly, Emergency Brake | 1 |
| 22 AX | 5 | Nut, Emergency Brake Band Support Bolt (1/4"-20) | 2 |
| 6 AX | 92 | Bolt, Emergency Brake Band Support (1/4"-20x2-7/8") | 1 |
| 58 AX | 82 | Spring, Emergency Brake Band Separating (#12x2") | 1 |
| 58 AX | 144 | Spring, Emergency Brake Band Separating (2-3/8" long) | 1 |
| 6 AX | 255 | Screw, Emergency Brake Band Anchor (5/16"-18x1-3/4") | 1 |
| 58 AX | 109 | Spring, Emergency Brake Band Anchor Clip (1/2"x1-3/16") | 1 |
| 32 MW | 14 | Cam, Emergency Brake Operating | 2 |
| 33 AX | 142 | Pin, Emergency Brake Rod Adjusting End (.491"x1-11/32") | 1 |
| 29 AX | 14 | Cotter, Emergency Brake Bolt Pin (1/8" x 7/8") | 1 |
| 35 AX | 51 | Spacer, Emergency Brake Operating Rod (17/32") | 1 |
| 29 AX | 13 | Cotter, Emergency Brake Bolt Pin (1/8"x1-1/4") | 1 |
| 33 AX | 27 | Pin, Emergency Brake Bolt (.621"x1-3/4") | 1 |
| 35 AX | 675 | Washer, Emergency Brake Cam Bearing (17/32") | 1 |
| 3 AX | 1022 | Screw, Emergency Brake Link Shoulder (3/8"-24x2-9/16") | 1 |
| 20 AX | 3 | Nut, Emergency Brake Link Shoulder Screw (3/8"-24) | 1 |
| 36 AX | 3 | Washer, Emergency Brake Link Shoulder Screw (3/8") | 1 |
| 55 MW | 12-P2 | Bolt, Emergency Brake Adjusting | 1 |
| 22 AX | 4 | Nut, Emergency Brake Adjusting Bolt (1/2"-13) | 2 |
| 29 AX | 43 | Cotter, Emergency Brake Adjusting Bolt (3/32"x3/4") | 1 |
| 37 AX | 28 | Washer, Emergency Brake Adjusting Bolt Spring (33/64") | 1 |
| 53 MW | 17-P1 | Link, Emergency Brake Spacer | 1 |
| 84 AX | 239 | Clevis, Emergency Brake Adjusting Rod (3/8"-24) | 1 |
| 27 AX | 124 | Rivet, Emergency Brake Lining (.180" x 3/8") | 24 |
| 12 MW | 36 | Drum, Emergency Brake (for 4-bolt - 1500 series Shaft) | 1 |
| 12 MW | 38 | Drum, Emergency Brake (for 8-bolt - 1600 series Shaft) | 1 |
| 35 MW | 14 | Stud, Brake Band Support | 1 |

1201 - HAND BRAKE AND EMERGENCY BRAKE (Cont'd)

Emergency Brake and Control (Models EH and EHT)



| Ref. No. | PART NAME | Govt. Group | Ref. No. | PART NAME | Govt. Group | Ref. No. | PART NAME | Govt. Group |
|----------|---|-------------|----------|--|-------------|----------|--|-------------|
| 1. | Lever Assembly—Emergency Brake Hand | 1201 | 15. | Nut—Emergency Brake Rod | 1212 | 33. | Spring—Emergency Brake Band Separating | 1201 |
| 2. | Spoon—Emergency Brake Hand Lever | 1201 | 16. | Clevis—Emergency Brake Rod | 1201 | 34. | Bolt—Emergency Brake Adjusting | 1201 |
| 3. | Rivet—Emergency Brake Hand Lever Spoon | 1201 | 17. | Pin—Emergency Brake Rod Clevis | 1201 | 35. | Washer—Emergency Brake Cam Bearing | 1201 |
| 4. | Bolt—Emergency Brake Hand Lever Sector | 1201 | 18. | Cam—Emergency Brake Operating | 1201 | 36. | Nut—Emergency Brake Adjusting Bolt | 1201 |
| 5. | Rod—Emergency Brake Hand Lever Pawl | 1201 | 19. | Cam—Emergency Brake Operating | 1201 | 37. | Nut—Emergency Brake Adjusting Bolt Lock | 1201 |
| 6. | Sector—Emergency Brake Hand Lever | 1201 | 20. | Pin—Emergency Brake Rod Clevis | 1201 | 38. | *Rivet—Emergency Brake Band Bracket | 1201 |
| 7. | Rivet—Emergency Brake Hand Lever Sector | 1201 | 21. | Pin—Emergency Brake Bolt | 1201 | 39. | *Bracket—Emergency Brake Band | 1201 |
| 8. | Bolt—Emergency Brake Hand Lever Mounting Bracket | 1201 | 22. | Pin—Emergency Brake Bolt Cotter | 1201 | 40. | *Rivet—Emergency Brake Band Bracket | 1201 |
| 9. | Lockwasher—Emergency Brake Hand Lever Mounting Bracket Bolt | 1201 | 23. | Screw—Emergency Brake Spacer Link Shoulder | 1201 | 41. | Drum—Emergency Brake | 1201 |
| 10. | Pawl—Emergency Brake Hand Lever | 1201 | 24. | Link—Emergency Brake Spacer | 1201 | 42. | *Band—Emergency Brake | 1201 |
| 11. | Lockwasher—Emergency Brake Hand Lever Mounting Bracket Bolt | 1201 | 25. | Spacer—Emergency Brake Operating Rod | 1201 | 43. | Lining—Emergency Brake | 2317 |
| 12. | Bolt—Emergency Brake Hand Lever Mounting Bracket | 1201 | 26. | Link—Emergency Brake Spacer | 1201 | 44. | Rivet—Emergency Brake Lining | 1201 |
| 13. | Rod—Emergency Brake | 1212 | 27. | Lockwasher—Emergency Brake Link Shoulder Screw Nut | 1201 | 45. | *Bracket—Emergency Brake Band Anchor | 1201 |
| 14. | Pin—Emergency Brake Rod Cotter | 1212 | 28. | Nut—Emergency Brake Link Shoulder Screw | 1201 | 46. | *Rivet—Emergency Brake Band Anchor Bracket | 1201 |
| | | | 29. | Nut—Emergency Brake Band Support Bolt Lock | 1201 | 47. | Spring—Emergency Brake Band Anchor Clip | 1201 |
| | | | 30. | Nut—Emergency Brake Band Support Bolt | 1201 | 48. | Screw—Emergency Brake Band Anchor | 1201 |
| | | | 31. | Bolt—Emergency Brake Band Support | 1201 | | | |
| | | | 32. | Spring—Emergency Brake Band Separating | 1201 | | | |

*Not listed separately. See Emergency Brake Band Assembly.

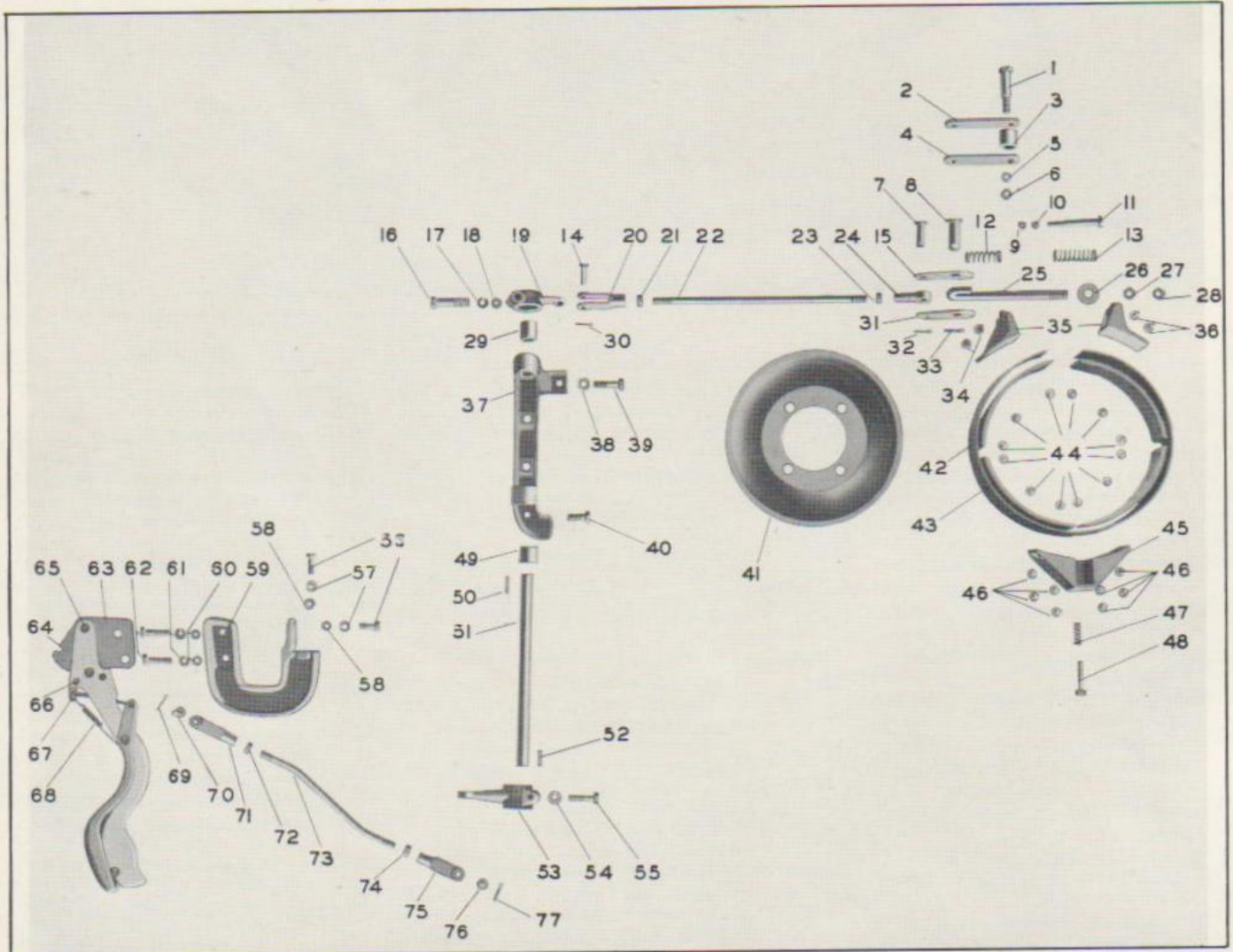
1201 - HAND BRAKE AND EMERGENCY BRAKE (Cont'd)

EMERGENCY BRAKE HAND LEVER

(Chassis EHIS2637-3072, EH1D3869-3943 and EHT1D2273-2412)

| | | | | |
|-----|-----|-----|---|---|
| 169 | KCA | 318 | Lever Assembly, Emergency Brake Hand | 1 |
| 370 | SH | 17 | Sector, Emergency Brake Hand Lever (Brewer-Titchener #BT86) | 1 |
| 304 | SH | 16 | Pawl, Emergency Brake Hand Lever (Brewer-Titchener #BT87) | 1 |
| 344 | SH | 17 | Rod, Emergency Brake Hand Lever Pawl (Brewer-Titchener #BT88) | 1 |
| 374 | SH | 11 | Spoon, Emergency Brake Hand Lever (Brewer-Titchener #BT89) | 1 |
| 341 | SZ | 53 | Rivet, Emergency Brake Hand Lever Sector (Brewer-Titchener #BT90) | 1 |
| 370 | SZ | 16 | Spring, Emergency Brake Hand Lever Spoon (Brewer-Titchener #BT91) | 1 |
| 21 | SZ | 50 | Bolt, Emergency Brake Hand Lever Sector (Brewer-Titchener #BT92) | 1 |
| 261 | SZ | 79 | Nut, Emergency Brake Hand Lever Sector (Part of #BT92) | 1 |
| 341 | SZ | 54 | Rivet, Emergency Brake Hand Lever Spoon (Brewer-Titchener #BT93) | 2 |

Emergency Brake and Control (Models EHU and EHUT)



Refer to page 101 for nomenclature.

| Group No. | Part No. | Description | No. Req'd |
|-----------|----------|-------------|-----------|
|-----------|----------|-------------|-----------|

1201 - HAND BRAKE AND EMERGENCY BRAKE (Cont'd)

| No. Ref. | PART NAME | Group Govt. | Ref. No. | PART NAME | Govt. Group | Ref. No. | PART NAME | Govt. Group |
|----------|---|-------------|----------|---|-------------|----------|---|-------------|
| 1. | Screw—Emergency Brake Spacer Link Shoulder | 1201 | 27. | Nut—Emergency Brake Adjusting Bolt | 1201 | 54. | Lockwasher—Emergency Brake Lever Bolt | 1201 |
| 2. | Link—Emergency Brake Spacer | 1201 | 28. | Nut—Emergency Brake Adjusting Bolt Lock | 1201 | 55. | Bolt—Emergency Brake Lever | 1201 |
| 3. | Spacer—Emergency Brake Operating Rod | 1201 | 29. | Bushing—Emergency Brake Cross Shaft Bracket | 1201 | 56. | Bolt—Emergency Brake Hand Lever Mounting Bracket | 1201 |
| 4. | Link—Emergency Brake Spacer | 1201 | 30. | Pin—Emergency Brake Rod Clevis Pin Cotter | 1201 | 57. | Lockwasher—Emergency Brake Hand Lever Mounting Bracket Bolt | 1201 |
| 5. | Lockwasher—Emergency Brake Spacer Link Shoulder Screw | 1201 | 31. | Cam—Emergency Brake Operating | 1201 | 58. | Nut—Emergency Brake Hand Lever Mounting Bracket Bolt | 1201 |
| 6. | Nut—Emergency Brake Spacer Link Shoulder Screw | 1201 | 32. | Pin—Emergency Brake Rod Clevis Pin Cotter | 1201 | 59. | Bracket—Emergency Brake Hand Lever Mounting | 1201 |
| 7. | Pin—Emergency Brake Rod Clevis | 1201 | 33. | Pin—Emergency Brake Bolt Pin Cotter | 1201 | 60. | Nut—Emergency Brake Hand Lever Mounting Bracket Bolt | 1201 |
| 8. | Pin—Emergency Brake Bolt | 1201 | 34. | *Rivet—Emergency Brake Band Bracket | 1201 | 61. | Lockwasher—Emergency Brake Hand Lever Mounting Bracket Bolt | 1201 |
| 9. | Nut—Emergency Brake Band Support Bolt Lock | 1201 | 35. | *Bracket—Emergency Brake Band | 1201 | 62. | Bolt—Emergency Brake Hand Lever Mounting Bracket | 1201 |
| 10. | Nut—Emergency Brake Band Support Bolt | 1201 | 36. | *Rivet—Emergency Brake Band Bracket | 1201 | 63. | Lever Assembly—Emergency Brake Hand | 1201 |
| 11. | Bolt—Emergency Brake Band Support | 1201 | 37. | Bracket—Emergency Brake Cross Shaft Mounting | 1201 | 64. | Sector—Emergency Brake Hand Lever | 1201 |
| 12. | Spring—Emergency Brake Band Separating | 1201 | 38. | Lockwasher—Emergency Brake Cross Shaft Mounting Bracket Screw | 1201 | 65. | Rivet—Emergency Brake Hand Lever Sector Attaching | 1201 |
| 13. | Spring—Emergency Brake Band Separating | 1201 | 39. | Screw—Emergency Brake Cross Shaft Mounting Bracket | 1201 | 66. | Rivet—Emergency Brake Hand Lever Pawl Attaching | 1201 |
| 14. | Pin—Emergency Brake Rod Clevis | 1201 | 40. | Screw—Emergency Brake Cross Shaft Mounting Bracket | 1201 | 67. | Pawl—Emergency Brake Hand Lever | 1201 |
| 15. | Cam—Emergency Brake Operating | 1201 | 41. | Drum—Emergency Brake | 1201 | 68. | Spring—Emergency Brake Hand Lever | 1201 |
| 16. | Bolt—Emergency Brake Cross Shaft Lever | 1201 | 42. | *Band—Emergency Brake | 1201 | 69. | Pin—Emergency Brake Rod Clevis Pin Cotter | 1201 |
| 17. | Lockwasher—Emergency Brake Cross Shaft Lever Bolt Nut | 1201 | 43. | Lining—Emergency Brake | 2317 | 70. | Pin—Emergency Brake Rod Clevis | 1201 |
| 18. | Nut—Emergency Brake Cross Shaft Lever Bolt | 1201 | 44. | Rivets—Emergency Brake Lining | 1201 | 71. | Clevis—Emergency Brake Rod | 1201 |
| 19. | Lever—Emergency Brake Cross Shaft | 1201 | 45. | *Bracket—Emergency Brake Band Anchor | 1201 | 72. | Nut—Emergency Brake Rod Clevis | 1201 |
| 20. | Clevis—Emergency Brake Rod | 1201 | 46. | *Rivets—Emergency Brake Band Anchor Bracket | 1201 | 73. | Rod—Emergency Brake Hand Lever to Idler Lever | 1201 |
| 21. | Nut—Emergency Brake Rod Clevis | 1201 | 47. | Spring—Emergency Brake Band Anchor Clip | 1201 | 74. | Nut—Emergency Brake Rod Clevis | 1201 |
| 22. | Rod—Emergency Brake (Lever to Cam) | 1201 | 48. | Screw—Emergency Brake Band Anchor | 1201 | 75. | Clevis—Emergency Brake Rod | 1201 |
| 23. | Nut—Emergency Brake Rod Clevis | 1201 | 49. | Bushing—Emergency Brake Cross Shaft Bracket | 1201 | 76. | Pin—Emergency Brake Rod Clevis | 1201 |
| 24. | Clevis—Emergency Brake Rod (At Cam) | 1201 | 50. | Key—Emergency Brake Cross Shaft Lever | 1201 | 77. | Pin—Emergency Brake Rod Clevis Pin Cotter | 1201 |
| 25. | Bolt—Emergency Brake Adjusting | 1201 | 51. | Shaft—Emergency Brake Cross | 1201 | | | |
| 26. | Washer—Emergency Brake Cam Bearing | 1201 | 52. | Key—Emergency Brake Lever | 1201 | | | |
| | | | 53. | Lever—Emergency Brake | 1201 | | | |

* Not listed separately. See Emergency Brake Band Assembly.

Emergency Brake and Control (Models EHU and EHUT) (Cont'd)

| | | | | |
|----|----|-----|--|---|
| 37 | MW | 12 | Rod, Emergency Brake Hand Lever to Idler Lever | 1 |
| 84 | AX | 120 | Clevis, Emergency Brake Rod (3/8"-24) | 1 |
| 33 | AX | 80 | Pin, Emergency Brake Rod Clevis (3/8"x1-1.8") | 2 |
| 29 | AX | 43 | Pin, Emergency Brake Rod Clevis Pin Cotter (3/32"x3/4") | 2 |
| 20 | AX | 3 | Nut, Emergency Brake Rod Clevis (3/8"-24) | 2 |
| 12 | RU | 180 | Lever, Emergency Brake | 1 |
| 42 | AX | 10 | Key, Emergency Brake Lever (3/16"x3/16"x7/8") | 1 |
| 4 | AX | 3 | Bolt, Emergency Brake Lever (3/8"-16x1-1/2") | 1 |
| 36 | AX | 3 | Washer, Emergency Brake Lever Bolt (3/8") | 1 |
| 91 | AX | 21 | Rod, Lever to Cam (except Tractors) (3/8"-24x13") | 1 |
| 91 | AX | 25 | Rod, Lever to Cam (Tractors only) (3/8"-24x15") | 1 |
| 84 | AX | 120 | Clevis, Emergency Brake Rod (at Lever) (3/8"-24) | 2 |
| 33 | AX | 80 | Pin, Emergency Brake Rod Clevis (at Lever) (3/8"x1-1/8") | 1 |
| 29 | AX | 43 | Pin, Emergency Brake Rod Clevis Pin Cotter (at Lever) (3/32" x 3/4") | 1 |

| Group No. | Part No. | Description | No. Req'd |
|-----------|----------|-------------|-----------|
|-----------|----------|-------------|-----------|

1201 - HAND BRAKE AND EMERGENCY BRAKE (Cont'd)

Emergency Brake Control (Models EHU & EHUT) (Cont'd)

| | | | |
|-------|-----|---|---|
| 84 AX | 239 | Clevis, Emergency Brake Rod (at Cam) (3/8"-24) | 1 |
| 33 AX | 142 | Pin, Emergency Brake Rod Clevis (at Cam) (.496"x1-11/32") | 1 |
| 29 AX | 14 | Pin, Emergency Brake Rod Clevis Pin Cotter (at Cam) (1/8" x 7/8") | 1 |
| 20 AX | 3 | Nut, Emergency Brake Rod Clevis (3/8"-24) | 2 |
| 20 MW | 118 | Shaft, Emergency Brake Cross | 1 |
| 10 MW | 215 | Bracket, Emergency Brake Mounting Shaft | 1 |
| 80 AX | 196 | Bushing, Emergency Brake Cross Shaft Bracket (.876" x 1-1/16) | 2 |
| 5 AX | 23 | Screw, Emergency Brake Cross Shaft Bracket Mounting (3/8"-16 x 1-3/8") | 1 |
| 4 AX | 3 | Screw, Emergency Brake Cross Shaft Bracket Mounting (3/8"-16 x 1-1/2") | 1 |
| 36 AX | 3 | Washer, Emergency Brake Cross Shaft Bracket Mounting Screw (3/8") | 1 |
| 12 RU | 15 | Lever, Emergency Brake Cross Shaft | 1 |
| 1 AX | 34 | Bolt, Emergency Brake Cross Shaft Lever (3/8"-24x2") | 1 |
| 20 AX | 3 | Nut, Emergency Brake Cross Shaft Lever Bolt (3/8"-24) | 1 |
| 36 AX | 3 | Washer, Emergency Brake Cross Shaft Lever Bolt (3/8") | 1 |
| 42 AX | 10 | Key, Emergency Brake Cross Shaft Lever (3/16" x 3/16" x 7/8") | 1 |

EMERGENCY BRAKE HAND LEVERS & CONTROLS

(Chassis EHU1D1425-1494 and EHUT1D1224-1403)

| | | | |
|--------|------|--|---|
| 169 KC | 210A | Lever Assembly, Emergency Brake Hand | 1 |
| 370 SH | 15 | Sector, Emergency Brake Hand Lever (Brewer- Titchener #BTC80) | 1 |
| 304 SH | 14 | Pawl, Emergency Brake Hand Lever (Brewer-Titchener #BTC81) | 1 |
| 366 SH | 31 | Spring, Emergency Brake Hand Lever (Brewer- Titchener #BTC82) | 1 |
| 341 SZ | 37 | Rivet, Emergency Brake Hand Lever Pawl Attaching (Brewer-Titchener #BTC83) | 1 |
| 341 SZ | 38 | Rivet, Emergency Brake Hand Lever Sector Attaching (Brewer-Titchener # BTC84) | 1 |
| 62 MW | 34 | Bracket, Emergency Brake Hand Lever Mounting | 1 |
| 1 AX | 35 | Bolt, Emergency Brake Hand Lever Mounting Bracket (3/8"-24 x 1") | 3 |
| 1 AX | 17 | Bolt, Emergency Brake Hand Lever Mounting Bracket (3/8"-24 x 1-3/8") | 2 |
| 20 AX | 3 | Nut, Emergency Brake Hand Lever Mounting Bracket Bolt (3/8"-24) | 5 |
| 36 AX | 3 | Washer, Emergency Brake Hand Lever Mounting Bracket Bolt (3/8") | 5 |

1202 - SHOES & LINING (SERVICE BRAKE)

AIR BRAKES

| | | | |
|-------|------|---|----|
| 4 QD | 2037 | Shoe, Bushing, Wear Plate & Lining Assy., Front Brake | 4 |
| 27 AX | 22 | Rivet, Front Brake Shoe & Lining (3/16"x1/2") | 64 |
| 3 QD | 207 | Lining, Front Brake (Manhattan Rubber Co.) (BLMA #659 - Mix DV2320K) | 4 |

| Group No. | Part No. | Description | No. Req'd |
|-----------|----------|-------------|-----------|
|-----------|----------|-------------|-----------|

1202 - SHOES & LINING (SERVICE BRAKE) (Cont'd)

AIR BRAKES

| | | |
|------------|--|----|
| 7 QDA 21 | Shoe, Bushing & Wear Plate Assembly, Front Brake | 4 |
| 12 EM 18 | Plate, Front Brake Shoe Wear | 4 |
| 25 AX 5 | Rivet, Front Brake Shoe & Wear Plate (1/4"x1") | 8 |
| 80 AX 205 | Bushing, Front Brake Shoe (1.998"x1.062"x.980") | 4 |
| 4 QDA 2031 | Shoe, Bushing, Wear Plate & Lining Assy., Rear Brake | 4 |
| 7 QDA 15 | Shoe, Bushing & Wear Plate Assembly, Rear Brake | 4 |
| 80 AX 212 | Bushing, Rear Brake Shoe (1.374"x1.990") | 4 |
| 6 QD 15 | Plate, Rear Brake Shoe Wear | 4 |
| 25 AX 2 | Rivet, Rear Brake Shoe Wear Plate (3/16"x7/8") | 8 |
| 3 QD 31-P1 | Lining, Rear Brake Shoe (BLMA #4308) | 4 |
| 27 AX 22 | Rivet, Rear Brake Shoe Lining (3/16" x 1/2") | 64 |

HYDRAULIC BRAKES

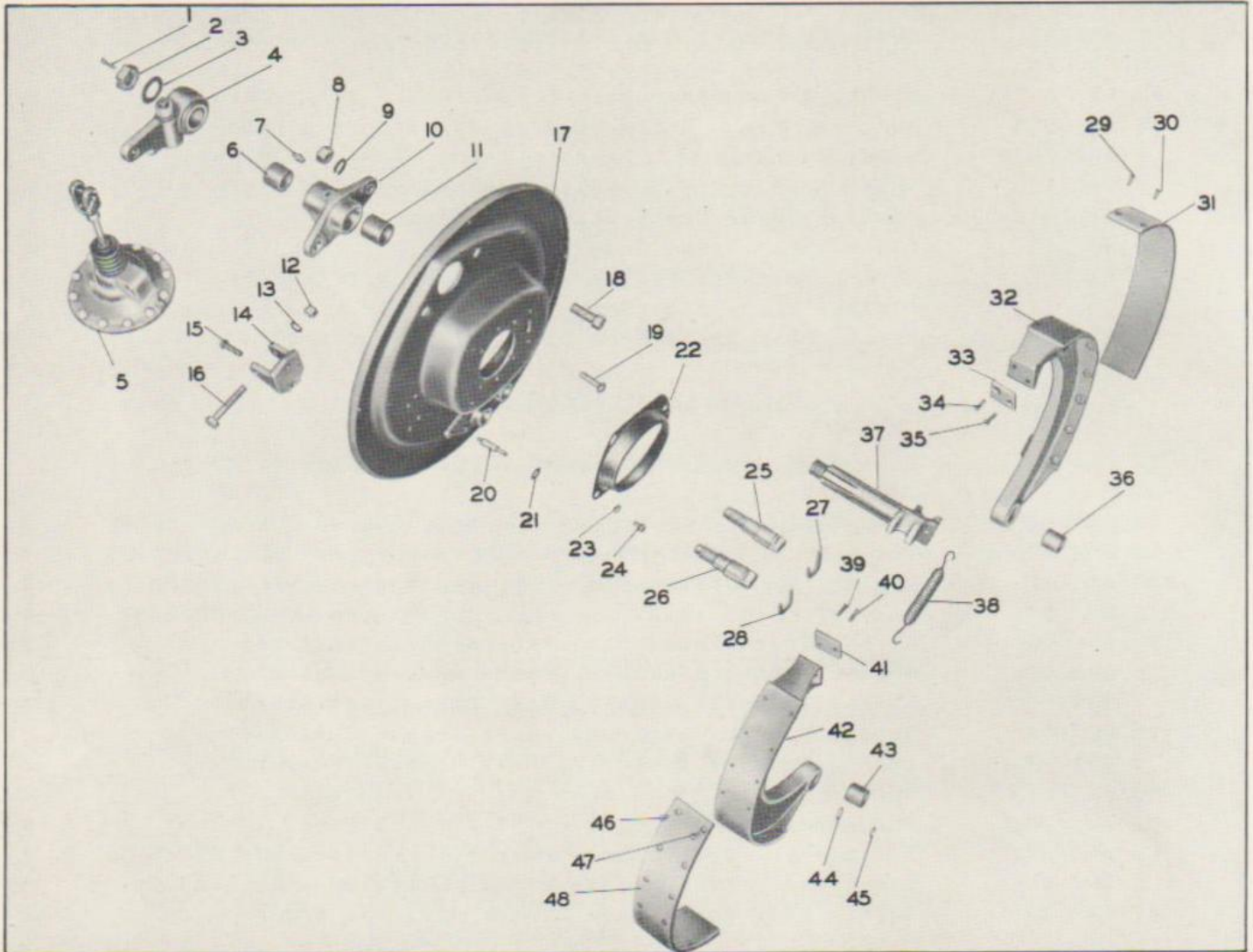
| | | |
|------------|--|----|
| 12 EHW 5 | Shoe & Lining, Front Brake - Forward (Wagner Elec. #FD2307) | 2 |
| 12 EHW 6 | Shoe & Lining, Front Brake - Reverse (Wagner Elec. #FD2308) | 2 |
| 12 EHW 27 | Shoe, Front Brake - Forward & Reverse (Wagner Elec. #FE427) | 4 |
| 222 SM 26 | Lining, Front Brake Shoe - Forward (Wagner Elec. #FD2281) | 2 |
| 222 SM 27 | Lining, Front Brake Shoe - Reverse (Wagner Elec. #FD2282) | 2 |
| 27 AX 94 | Rivet, Front Brake Shoe Lining (3/16"x13/32") | 56 |
| 4 QDA 2034 | Shoe & Lining Assembly, Rear Brake (Forward) | 2 |
| 4 QDA 2033 | Shoe & Lining Assembly, Rear Brake (Reverse) | 2 |
| 7 QDA 22 | Shoe & Bushing Assembly, Rear Brake - (Reverse) | 2 |
| 7 QDA 23 | Shoe & Bushing Assembly, Rear Brake - (Forward) | 2 |
| 80 AX 212 | Bushing, Rear Brake Shoe (1.374" x 1.990") | 4 |
| 31 AX 301 | Pin, Rear Brake Shoe Stop (7/16" x 2") | 4 |
| 3 QD 2032 | Lining, Rear Brake Shoe (Forward) (BLMA #1169 - Mix DV2320K) | 2 |
| 3 QD 2034 | Lining, Rear Brake Shoe (Reverse) (BLMA #1169 - Mix DV2320K) | 2 |
| 27 AX 22 | Rivet, Rear Brake Shoe Lining (3/16" x 1/2") | 56 |

1203 - BRAKE SHOE SUPPORT, GUIDE SPRINGS AND ADJUSTING PINS

FRONT AIR BRAKES

| | | |
|-----------|--|---|
| 34 QD 11 | Pin, Front Brake Shoe Anchor (Wagner Elec. #FC783) | 4 |
| 12 EM 12 | Washer, Front Brake Shoe Anchor Pin "C" | 4 |
| 20 AX 8 | Nut, Front Brake Shoe Anchor Pin (3/4"-16) | 4 |
| 36 AX 9 | Washer, Front Brake Shoe Anchor Pin Lock (3/4") | 4 |
| 15 QD 11 | Washer, Front Brake Shoe Guide Pin "C" (Wagner Elec. #FC655C) | 4 |
| 37 AX 371 | Washer, Front Brake Shoe Guide Pin (9/32"x7/8"x.022") | 8 |
| 19 QD 23 | Cam, Front Brake R.H. | 1 |
| 19 QD 24 | Cam, Front Brake L.H. | 1 |
| 21 AX 116 | Nut, Front Brake Cam Shaft (1"-14) | 2 |
| 37 AX 27 | Washer, Front Brake Cam Shaft (1-1/64") | 2 |
| 29 AX 52 | Cotter, Front Brake Cam Shaft (1/8"x2-1/2") | 2 |
| 58 AX 55 | Spring, Front Brake Shoe Return (6-1/8") | 2 |
| 1 AX 231 | Bolt, Front Brake Cam Shaft Bracket & Dust Shield (5/8"-18x1-1/2") | 4 |
| 20 AX 7 | Nut, Front Brake Cam Shaft Bracket & Dust Shield Bolt (5/8"-18) | 4 |

1203 - BRAKE SHOE SUPPORT, GUIDE SPRINGS AND ADJUSTING PINS (Cont'd)
FRONT AIR BRAKES (Cont'd)



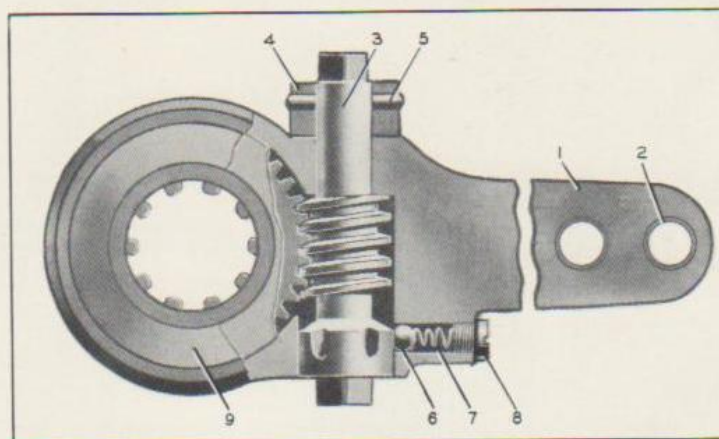
| Ref. No. | PART NAME | Govt. Group | Ref. No. | PART NAME | Govt. Group | Ref. No. | PART NAME | Govt. Group |
|----------|---|-------------|----------|--|-------------|----------|---------------------------------------|-------------|
| 1. | Pin—Front Brake Cam Shaft Nut Cotter | 1203 | 16. | Bolt—Brake Chamber Mounting | 1213 | 33. | Plate—Front Brake Shoe Wear | 1202 |
| 2. | Nut—Front Brake Cam Shaft | 1203 | 17. | Dust Shield Assembly—Front Brake | 1208 | 34. | Rivet—Front Brake Shoe & Wear Plate | 1202 |
| 3. | Washer—Front Brake Cam Shaft Nut | 1203 | 18. | Bolt—Front Brake Cam Shaft Bracket & Dust Shield | 1203 | 35. | Rivet—Front Brake Shoe & Wear Plate | 1202 |
| 4. | Adjuster Assembly—Front Slack | 1203 | 19. | Rivet—Steering Knuckle to Brake Dust Shield | 1208 | 36. | Bushing—Front Brake Shoe | 1202 |
| 5. | Chamber—Air Brake (Front) | 1213 | 20. | Pin—Front Brake Shoe Guide | 1203 | 37. | Cam—Front Brake | 1203 |
| 6. | Bushing—Front Brake Cam Shaft | 1203 | 21. | Washer—Front Brake Shoe Guide Pin | 1203 | 38. | Spring—Front Brake Shoe Return | 1203 |
| 7. | Alemite—Front Brake Cam Shaft Bracket | 1203 | 22. | Slinger—Front Hub Oil | 1208 | 39. | Rivet—Front Brake Shoe & Wear Plate | 1202 |
| 8. | Nut—Front Brake Cam Shaft Bracket & Dust Shield Bolt | 1203 | 23. | Lockwasher—Front Hub Oil Slinger Screw | 1208 | 40. | Rivet—Front Brake Shoe & Wear Plate | 1202 |
| 9. | Lockwasher—Front Brake Cam Shaft Bracket & Dust Shield Bolt Nut | 1203 | 24. | Screw—Front Hub Oil Slinger | 1208 | 41. | Plate—Front Brake Shoe Wear | 1202 |
| 10. | Bracket & Bushing Assembly—Front Brake Cam Shaft | 1203 | 25. | Pin—Front Brake Shoe Anchor | 1203 | 42. | Shoe—Front Brake | 1202 |
| 11. | Bushing—Front Brake Cam Shaft | 1203 | 26. | Pin—Front Brake Shoe Anchor | 1203 | 43. | Bushing—Front Brake Shoe | 1202 |
| 12. | Nut—Brake Chamber Mounting Bolt | 1213 | 27. | Washer—Front Brake Shoe Anchor Pin "C" | 1203 | 44. | Washer—Front Brake Shoe Guide Pin | 1203 |
| 13. | Lockwasher—Brake Chamber Mounting Bolt Nut | 1213 | 28. | Washer—Front Brake Shoe Anchor Pin "C" | 1203 | 45. | Washer—Front Brake Shoe Guide Pin "C" | 1203 |
| 14. | Bracket—Brake Chamber | 1213 | 29. | Rivet—Front Brake Shoe & Lining | 1202 | 46. | Rivet—Front Brake Shoe & Lining | 1202 |
| 15. | Rivet—Brake Chamber Bracket | 1213 | 30. | Rivet—Front Brake Shoe & Lining | 1202 | 47. | Rivet—Front Brake Shoe & Lining | 1202 |
| | | | 31. | Lining—Front Brake Shoe | 1202 | 48. | Lining—Front Brake Shoe | 1202 |
| | | | 32. | Shoe—Front Brake | 1202 | | | |

| Group No. | Part No. | Description | No. Req'd |
|-----------|----------|-------------|-----------|
|-----------|----------|-------------|-----------|

1203 - BRAKE SHOE SUPPORT, GUIDE SPRINGS AND ADJUSTING PINS (Cont'd)

FRONT AIR BRAKES (Cont'd)

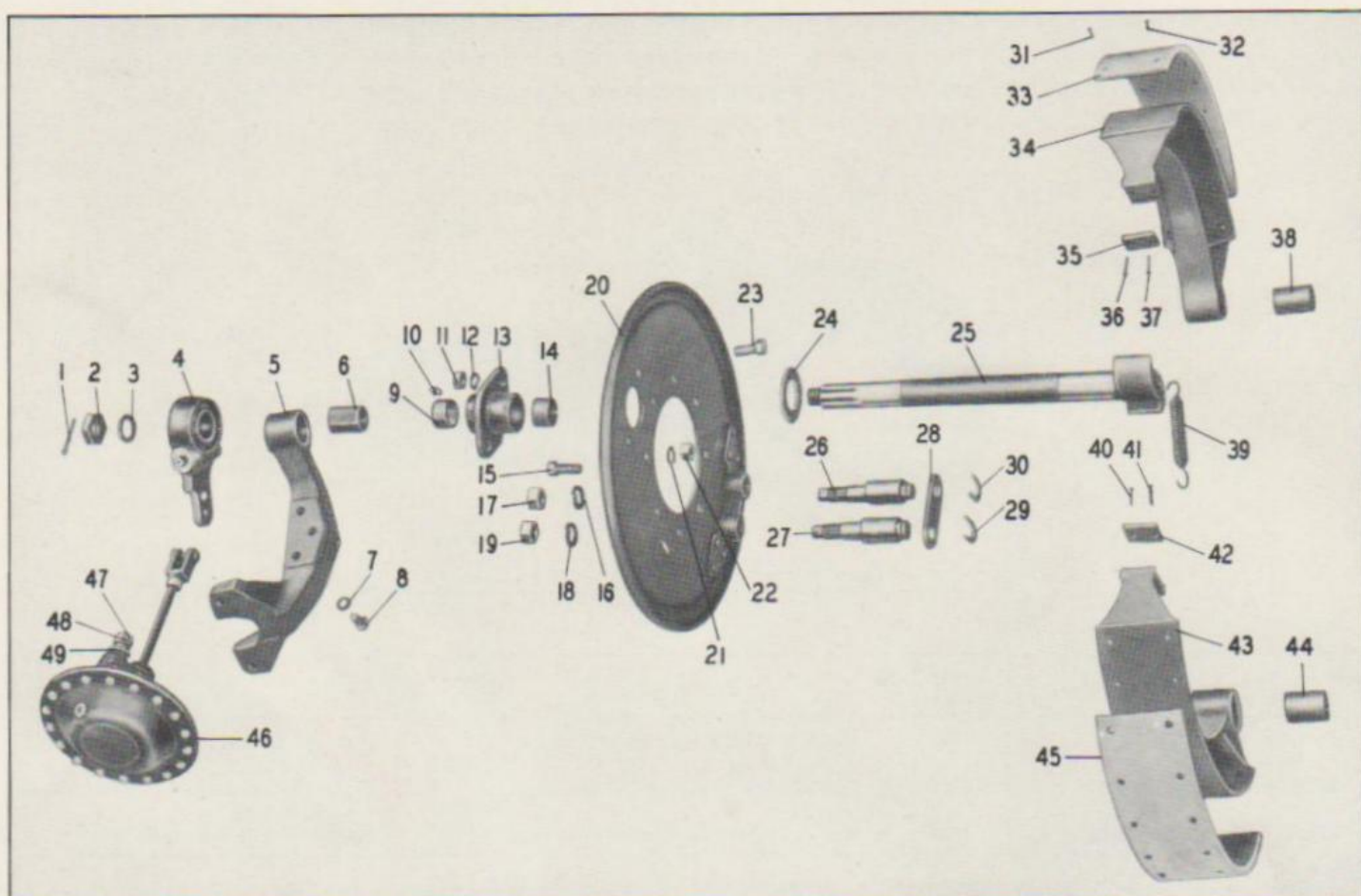
| | | | |
|--------|-----|---|---|
| 36 AX | 7 | Washer, Front Brake Cam Shaft Bracket & Dust Shield Bolt Lock (.655") | 4 |
| 44 AX | 62 | Alemite, Front Brake Cam Shaft Bracket (1/8") | 2 |
| 39 QDA | 13 | Bracket & Bushing Assembly, Front Brake Cam Shaft | 2 |
| 80 AX | 234 | Bushing, Front Brake Cam Shaft (1.253"x1.375") | 4 |
| 59 QD | 13 | Pin, Front Brake Shoe Guide | 4 |



| Ref. No. | PART NAME | Govt. Group | Ref. No. | PART NAME | Govt. Group | Ref. No. | PART NAME | Govt. Group |
|----------|------------------------|-------------|----------|--|-------------|----------|---|-------------|
| 1. | Body—Slack Adjuster | 1203 | 4. | Collar—Slack Adjuster Worm Shaft | 1203 | 7. | Spring—Slack Adjuster Worm Lock Ball | 1203 |
| 2. | Bushing—Slack Adjuster | 1203 | 5. | Pin—Slack Adjuster Worm Shaft Collar | 1203 | 8. | Plug—Slack Adjuster Worm Lock Ball Spring | 1203 |
| 3. | Worm—Slack Adjuster | 1203 | 6. | Ball—Slack Adjuster Worm Lock | 1203 | 9. | Gear—Slack Adjuster Worm | 1203 |
| 25 QDA | 28-P1 | | | Adjuster Assembly, Front Slack | | | | 2 |
| 63 AX | 3 | | | Plug, Front Slack Adjuster Oil (1/8") | | | | 2 |
| 58 AX | 137 | | | Spring, Front Slack Adjuster Worm Ball (25/32") | | | | 2 |
| 48 AX | 6 | | | Ball, Front Slack Adjuster Worm (5/16") | | | | 2 |
| 80 AX | 206 | | | Bushing, Front Slack Adjuster (.5015"x.628"x9/16") | | | | 2 |
| 26 QD | 13 | | | Worm, Front Slack Adjuster | | | | 2 |
| 27 QD | 13 | | | Gear, Front Slack Adjuster Worm | | | | 2 |
| 8 QD | 12 | | | Shaft, Front Slack Adjuster Worm | | | | 2 |
| 46 QD | 12 | | | Ring, Front Slack Adjuster Worm Gear Retainer | | | | 2 |
| 28 QD | 26-P1 | | | Body, Front Slack Adjuster | | | | 2 |
| 49 AX | 70 | | | Plug, Front Slack Adj. Ball Spring Retainer (3/8"-24) | | | | 2 |
| 31 AX | 375 | | | Pin, Front Slack Adjuster Worm Shaft Collar (5/32"x1") | | | | 2 |
| * * * * | | | | | | | | |
| 34 QD | 13 | | | Pin, Rear Brake Shoe Anchor | | | | 4 |
| 12 EM | 12 | | | Washer, Rear Brake Shoe Anchor Pin "C" | | | | 4 |
| 18 QD | 11 | | | Strap, Rear Brake Shoe Anchor Pin | | | | 2 |
| 20 AX | 11 | | | Nut, Rear Brake Shoe Anchor Pin (7/8"-14) | | | | 4 |
| 36 AX | 10 | | | Washer, Rear Brake Shoe Anchor Pin Nut (7/8") | | | | 4 |
| 39 QDA | 16 | | | Bracket & Bushing Assembly, Rear Brake Cam Shaft | | | | 2 |
| 80 AX | 220 | | | Bushing, Rear Brake Cam Shaft Bracket (1-1/2"x5/8") | | | | 4 |
| 44 AX | 62 | | | Alemite, Rear Brake Cam Shaft (1/8") | | | | 4 |
| 1 AX | 168 | | | Bolt, Rear Brake Cam Shaft Bracket (5/8"-18x1-3/8") | | | | 4 |
| 20 AX | 7 | | | Nut, Rear Brake Cam Shaft Bracket Bolt (5/8"-18) | | | | 4 |
| 36 AX | 7 | | | Washer, Rear Brake Cam Shaft Bracket Bolt (.655") | | | | 4 |
| 58 AX | 55 | | | Spring, Rear Brake Shoe Return (3/4"x6-1/8") | | | | 2 |

1203 - BRAKE SHOE SUPPORT, GUIDE SPRINGS AND ADJUSTING PINS (Cont'd)

REAR AIR BRAKES



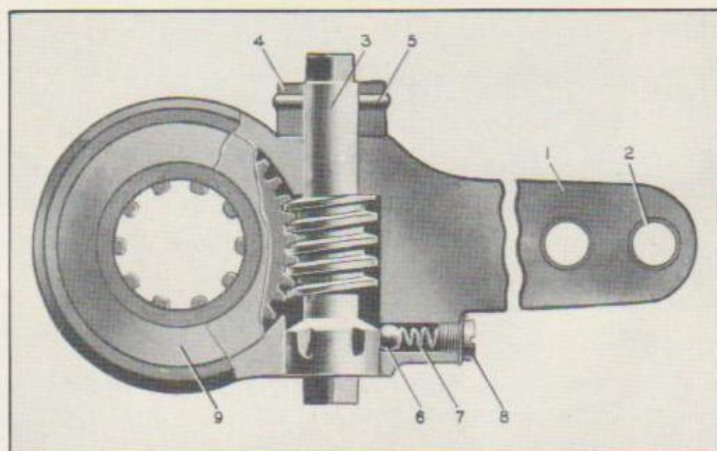
| Ref. No. | PART NAME | Govt. Group | Ref. No. | PART NAME | Govt. Group | Ref. No. | PART NAME | Govt. Group |
|----------|---|-------------|----------|--|-------------|----------|---------------------------------------|-------------|
| 1. | Pin—Rear Brake Cam Shaft Nut Cotter | 1203 | 15. | Bolt—Rear Brake Unit to Axle Flange | 1208 | 30. | Washer—Rear Brake Shoe Anchor Pin "C" | 1203 |
| 2. | Nut—Rear Brake Cam Shaft | 1203 | 16. | Lockwasher—Rear Brake Shoe Anchor Pin Nut | 1203 | 31. | Rivet—Rear Brake Shoe Lining | 1202 |
| 3. | Washer—Rear Brake Cam Shaft Nut | 1203 | 17. | Nut—Rear Brake Shoe Anchor Pin | 1203 | 32. | Rivet—Rear Brake Shoe Lining | 1202 |
| 4. | Adjuster—Rear Brake Slack | 1203 | 18. | Lockwasher—Rear Brake Shoe Anchor Pin Nut | 1203 | 33. | Lining—Rear Brake Shoe | 1202 |
| 5. | Bracket Assembly—Air Chamber & Brake Cam Shaft | 1203 | 19. | Nut—Rear Brake Shoe Anchor Pin | 1203 | 34. | Shoe—Rear Brake | 1202 |
| 6. | Bushing—Rear Air Chamber & Brake Cam Shaft Bracket | 1203 | 20. | Shield—Rear Brake Dust | 1208 | 35. | Plate—Rear Brake Shoe Wear | 1202 |
| 7. | Lockwasher—Rear Air Chamber & Brake Cam Shaft Bracket Screw | 1203 | 21. | Lockwasher—Rear Break Unit to Axle Flange Bolt Nut | 1208 | 36. | Rivets—Rear Brake Shoe Wear Plate | 1202 |
| 8. | Screw—Rear Air Chamber & Brake Cam Shaft Bracket | 1203 | 22. | Nut—Rear Brake Unit to Axle Flange Bolt | 1208 | 37. | Rivets—Rear Brake Shoe Wear Plate | 1202 |
| 9. | Bushing—Rear Brake Cam Shaft Bracket | 1203 | 23. | Bolt—Rear Brake Cam Shaft Bracket | 1203 | 38. | Bushing—Rear Brake Shoe | 1202 |
| 10. | Alemite—Rear Brake Cam Shaft Bracket | 1203 | 24. | Washer—Rear Brake Cam Shaft | 1203 | 39. | Spring—Rear Brake Shoe Return | 1203 |
| 11. | Nut—Rear Brake Cam Shaft Bracket Bolt | 1203 | 25. | Cam Shaft—Rear Brake | 1203 | 40. | Rivet—Rear Brake Shoe Wear Plate | 1202 |
| 12. | Lockwasher—Rear Brake Cam Shaft Bracket Bolt Nut | 1203 | 26. | Pin—Rear Brake Shoe Anchor | 1203 | 41. | Rivet—Rear Brake Shoe Wear Plate | 1202 |
| 13. | Bracket & Bushing Assembly—Rear Brake Cam Shaft | 1203 | 27. | Pin—Rear Brake Shoe Anchor | 1203 | 42. | Plate—Rear Brake Shoe Wear | 1202 |
| 14. | Bushing—Rear Brake Cam Shaft Bracket | 1203 | 28. | Strap—Rear Brake Shoe Anchor Pin | 1203 | 43. | Shoe—Rear Brake | 1202 |
| | | | 29. | Washer—Rear Brake Shoe Anchor Pin "C" | 1203 | 44. | Bushing—Rear Brake Shoe | 1202 |
| | | | | | | 45. | Lining—Rear Brake Shoe | 1202 |
| | | | | | | 46. | Chamber—Rear Brake | 1213 |
| | | | | | | 47. | Stud—Rear Brake Chamber | 1213 |
| | | | | | | 48. | Nut—Rear Brake Chamber Stud | 1213 |
| | | | | | | 49. | Washer—Rear Brake Chamber Stud Nut | 1213 |

| Group No. | Part No. | Description | No. Req'd |
|-----------|----------|-------------|-----------|
|-----------|----------|-------------|-----------|

1203 - BRAKE SHOE SUPPORT, GUIDE SPRINGS AND ADJUSTING PINS (Cont'd)

REAR AIR BRAKES (Cont'd)

| | | | |
|--------|-------|--|---|
| 19 QD | 214 | Cam Shaft, Rear Brake R.H. | 1 |
| 19 QD | 215 | Cam Shaft, Rear Brake L.H. | 1 |
| 21 AX | 226 | Nut, Rear Brake Cam Shaft (#1-14) | 2 |
| 29 AX | 51 | Cotter, Rear Brake Cam Shaft Nut (1/8" x 1/2") | 2 |
| 37 AX | 275 | Washer, Rear Brake Cam Shaft (1-9/16") | 2 |
| 39 QDA | 18-P1 | Bracket Assembly, Air Chamber & Brake Cam Shaft R.H. | 1 |
| 39 QDA | 19-P1 | Bracket Assembly, Air Chamber & Brake Cam Shaft L.H. | 1 |
| 80 AX | 221 | Bushing, Air Chamber & Brake Cam Shaft Bracket (1.505" x 1.625" x 1.990") | 2 |
| 1 AX | 230 | Screw, Air Chamber & Brake Cam Shaft Bracket (1/2"-20 x 1-1/8") | 6 |
| 36 AX | 5 | Washer, Air Chamber & Brake Cam Shaft Bracket Screw (.515") | 6 |



| Ref. No. | PART NAME | Govt. Group | Ref. No. | PART NAME | Govt. Group | Ref. No. | PART NAME | Govt. Group |
|----------|------------------------|-------------|----------|--------------------------------------|-------------|----------|---|-------------|
| 1. | Body—Slack Adjuster | 1203 | 4. | Collar—Slack Adjuster Worm Shaft | 1203 | 7. | Spring—Slack Adjuster Worm Lock Ball | 1203 |
| 2. | Bushing—Slack Adjuster | 1203 | 5. | Pin—Slack Adjuster Worm Shaft Collar | 1203 | 8. | Plug—Slack Adjuster Worm Lock Ball Spring | 1203 |
| 3. | Worm—Slack Adjuster | 1203 | 6. | Ball—Slack Adjuster Worm Lock | 1203 | 9. | Gear—Slack Adjuster Worm | 1203 |

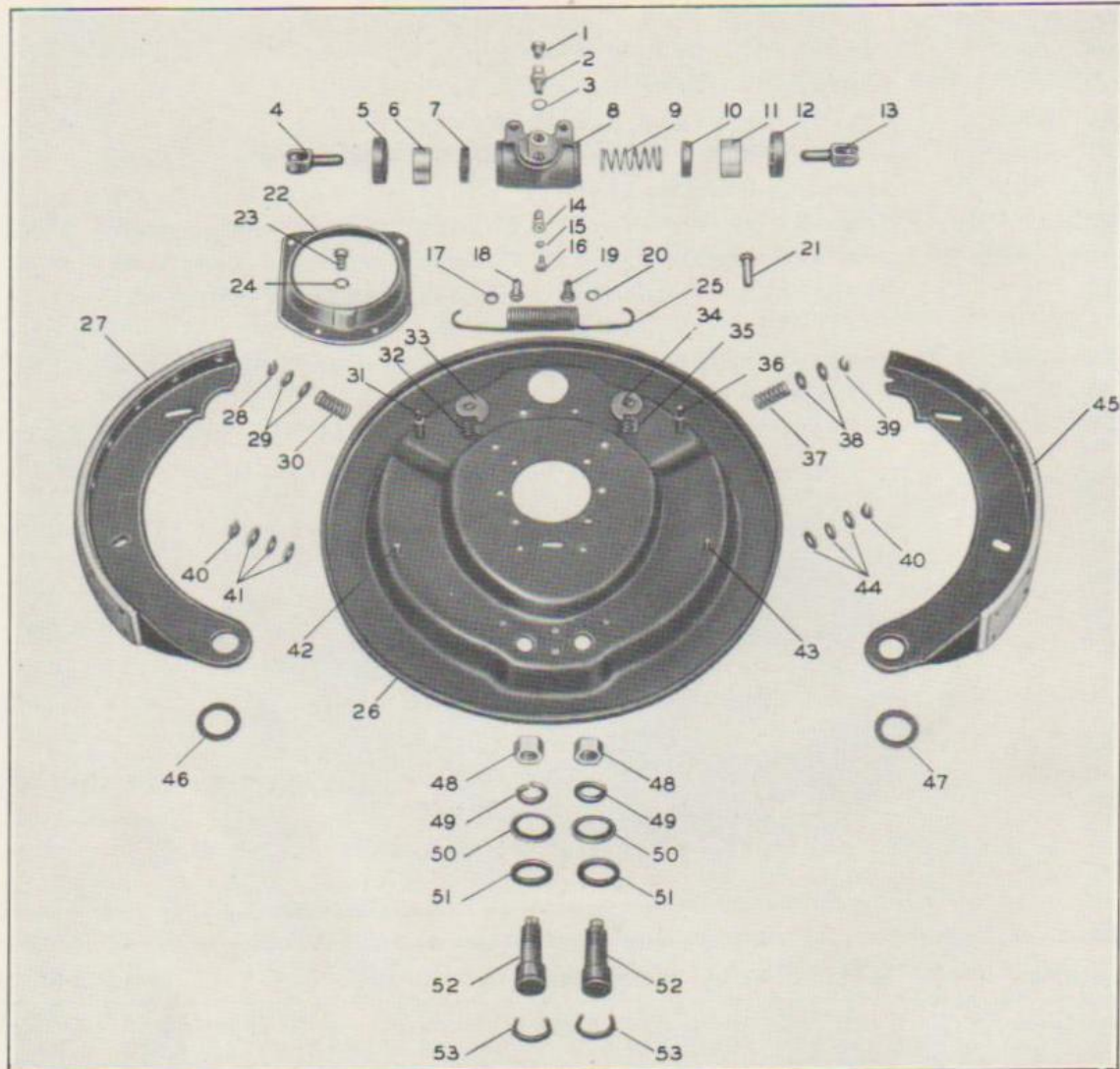
| | | | |
|--------|--------|---|---|
| 25 QDA | 21A-P1 | Adjuster, Rear Brake Slack | 2 |
| 27 QD | 12A-P1 | Gear, Rear Brake Slack Adjuster Worm | 2 |
| 26 QD | 15 | Worm, Rear Brake Slack Adjuster | 2 |
| 28 QDA | 37-P2 | Body & Bushing Assembly, Rear Brake Slack Adjuster | 2 |
| 80 AX | 206 | Bushing, Rear Brake Slack Adjuster (.5015" x .628" x 9/16") | 4 |
| 63 AX | 3 | Plug, Rear Brake Slack Adjuster (1/4") | 4 |
| 46 QD | 11 | Ring, Slack Adjuster Worm Gear Retainer | 2 |
| 97 AX | 12 | Wire, Slack Adjuster Lock (1/8" x 3-7/32") | 2 |
| 8 QD | 11 | Collar, Slack Adjuster Worm Shaft | 2 |
| 31 AX | 284 | Pin, Slack Adjuster Worm Shaft Collar (5/32" x 1-1/4") | 2 |
| 48 AX | 6 | Ball, Slack Adjuster Worm Lock (5/16") | 2 |
| 58 AX | 137 | Spring, Slack Adjuster Worm Lock Ball (19/64" x 25/32") | 2 |
| 49 AX | 70 | Plug, Slack Adjuster Worm Spring (3/8"-24) | 2 |

HYDRAULIC BRAKES

| | | | |
|--------|----|--|---|
| 26 SM | 12 | Pin & Washer Assembly, Front Brake Adjusting (Timken #A2847-G-137) | 4 |
| 42 SM | 12 | Cam, Front Brake Adjusting (Timken #2847-F-136) | 4 |
| 12 EHW | 12 | Spring, Front Brake Adjusting Cam (Wagner Elec. #FC1824) | 4 |

1203 - BRAKE SHOE SUPPORT, GUIDE SPRINGS AND ADJUSTING PINS (Cont'd)

FRONT HYDRAULIC BRAKES



| Ref. No. | PART NAME | Govt. Group | Ref. No. | PART NAME | Govt. Group | Ref. No. | PART NAME | Govt. Group |
|----------|--|-------------|----------|--|-------------|----------|--|-------------|
| 1. | Bolt—Front Wheel Inlet Fitting | 1207 | 18. | Screw—Front Wheel Cylinder Mounting | 1207 | 36. | Pin—Front Brake Guide (Long) | 1203 |
| 2. | Fitting—Front Wheel Inlet | 1207 | 19. | Screw—Front Wheel Cylinder Mounting | 1207 | 37. | Spring—Front Brake Guide Pin | 1203 |
| 3. | Gasket—Front Wheel Inlet Fitting | 1207 | 20. | Washer—Front Wheel Cylinder Mounting Screw | 1207 | 38. | Washer—Front Brake Guide Pin Plain | 1203 |
| 4. | Link & Yoke Assembly—Front Wheel Cylinder Connecting | 1207 | 21. | Rivet—Steering Knuckle | 1208 | 39. | Washer—Front Brake Guide Pin "C" | 1203 |
| 5. | Boot—Front Wheel Cylinder | 1207 | 22. | Slinger—Hub Oil Seal | 1301 | 40. | Washer—Front Brake Guide Pin "C" | 1203 |
| 6. | Piston—Front Wheel Cylinder | 1207 | 23. | Screw—Hub Oil Seal Slinger | 1301 | 41. | Washer—Front Brake Guide Pin Plain | 1203 |
| 7. | Cup—Front Wheel Cylinder Piston | 1207 | 24. | Washer—Hub Oil Seal Slinger Screw | 1301 | 42. | Pin—Front Brake Guide (Short) | 1203 |
| 8. | Cylinder—Front Wheel | 1207 | 25. | Spring—Front Brake Shoe Return | 1203 | 43. | Pin—Front Brake Guide (Short) | 1203 |
| 9. | Spring—Front Wheel Cylinder Piston Cup | 1207 | 26. | Shield—Dust | 1208 | 44. | Washer—Front Brake Guide Pin Plain | 1203 |
| 10. | Cup—Front Wheel Cylinder Piston | 1207 | 27. | Shoe and Lining Assembly—Front Brake (Forward) | 1202 | 45. | Shoe and Lining Assembly—Front Brake (Reverse) | 1202 |
| 11. | Piston—Front Wheel Cylinder | 1207 | 28. | Washer—Front Brake Guide Pin "C" | 1203 | 46. | Spacer—Front Brake Anchor Pin | 1203 |
| 12. | Boot—Front Wheel Cylinder | 1207 | 29. | Washer—Front Brake Guide Pin Plain | 1203 | 47. | Spacer—Front Brake Anchor Pin | 1203 |
| 13. | Link & Yoke Assembly—Front Wheel Cylinder Connecting | 1207 | 30. | Spring—Front Brake Guide Pin | 1203 | 48. | Nut—Front Brake Anchor Pin | 1203 |
| 14. | Screw—Front Wheel Cylinder Bleeder | 1207 | 31. | Pin—Front Brake Guide (Long) | 1203 | 49. | Lockwasher—Front Brake Anchor Pin Nut | 1203 |
| 15. | Washer—Front Wheel Cylinder Bleeder Screw | 1207 | 32. | Spring—Front Brake Adjusting Cam | 1203 | 50. | Retainer—Front Brake Anchor Pin Felt Washer | 1203 |
| 16. | Plug—Front Wheel Cylinder Bleeder Screw | 1207 | 33. | Cam—Front Brake Adjusting | 1203 | 51. | Washer—Front Brake Anchor Pin Felt | 1203 |
| 17. | Washer—Front Wheel Cylinder Mounting Screw | 1207 | 34. | Cam—Front Brake Adjusting | 1203 | 52. | Pin—Front Brake Anchor | 1203 |
| | | | 35. | Spring—Front Brake Adjusting Cam | 1203 | 53. | Washer—Front Brake Anchor Pin "C" | 1203 |

| Group No. | Part No. | Description | No. Req'd |
|-----------|----------|-------------|-----------|
|-----------|----------|-------------|-----------|

1203 - BRAKE SHOE SUPPORT, GUIDE SPRINGS AND ADJUSTING PINS (Cont'd)

FRONT HYDRAULIC BRAKES (Cont'd)

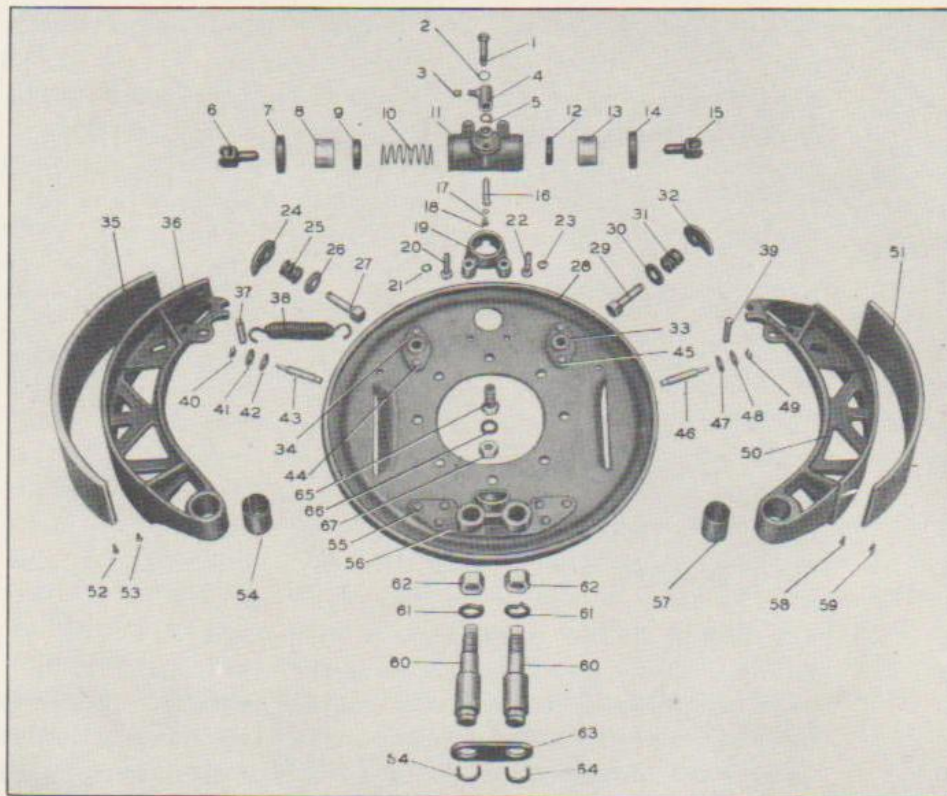
| | | |
|-----------|--|----|
| 12 EHW 13 | Pin, Front Brake Anchor (Wagner Elec. #FC2194) | 4 |
| 12 EHW 14 | Pin, Front Brake Guide (Long) (Wagner Elec. #FC4399) | 4 |
| 12 EHW 15 | Pin, Front Brake Guide (Short) (Wagner Elec. #FC4398) | 4 |
| 12 EHW 17 | Washer, Front Brake Felt (Wagner Elec. #FC2207) | 4 |
| 12 EHW 18 | Retainer, Front Brake Felt Washer (Wagner Elec. #FC2206) | 4 |
| 12 EHW 19 | "C" Washer, Front Brake Anchor Pin (Wagner Elec. #FC1166) | 4 |
| 12 EHW 20 | Washer, Front Brake Guide Pin Plain (Wagner Elec. #FC3911) | 16 |
| 441 SM 21 | "C" Washer, Front Brake Guide Pin (Wagner Elec. #FC4395) | 8 |
| 12 EHW 22 | Spring, Front Brake Shoe Return (Wagner Elec. #FC2208) | 2 |
| 12 EHW 23 | Spacer, Front Brake Anchor Pin (Wagner Elec. #FC3719) | 2 |
| 12 EHW 28 | Spring, Front Brake Guide Pin (Wagner Elec. #FC4753) | 4 |

REAR HYDRAULIC BRAKES

| | | |
|-----------|--|---|
| 34 QD 13 | Pin, Rear Brake Shoe Anchor | 4 |
| 12 EM 12 | Washer, Rear Brake Shoe Anchor Pin "C" | 4 |
| 18 QD 11 | Strap, Rear Brake Shoe Anchor Pin | 2 |
| 20 AX 11 | Nut, Rear Brake Shoe Anchor Pin (7/8"-14) | 4 |
| 36 AX 10 | Washer, Rear Brake Shoe Anchor Pin Lock (7/8") | 4 |
| 52 QDA 11 | Bracket Assy., Rear Brake Adjusting Cam, Pin & (R.H.) | 2 |
| 52 QDA 12 | Bracket Assy., Rear Brake Adjusting Cam, Pin & (L.H.) | 2 |
| 56 QD 11 | Cam, Rear Brake Shoe Adjusting (Wagner Elec. #FC1408) | 4 |
| 57 QD 11 | Pin, Rear Brake Shoe Adjusting Cam | 4 |
| 58 QD 11 | Washer, Rear Brake Shoe Adjusting Cam Pin (Wagner Elec. #FC1410) | 4 |
| 58 AX 77 | Spring, Rear Brake Shoe Adj. Cam (1-3/32" long) | 4 |
| 24 AX 202 | Rivet, Rear Brake Shoe Adj. Cam Bracket (5/16" x 1") | 8 |
| 59 QD 11 | Pin, Rear Brake Shoe Guide (Wagner Elec. #FC1405) | 4 |
| 15 QD 11 | Washer, Rear Brake Shoe Guide Pin "C" (Wagner Elec. #FC655C) | 4 |
| 37 AX 380 | Washer, Rear Brake Shoe Guide Pin (9/32") | 8 |
| 12 BJ 132 | Spring, Rear Brake Shoe Return | 2 |

1203 - BRAKE SHOE SUPPORT, GUIDE SPRINGS AND ADJUSTING PINS (Cont'd)

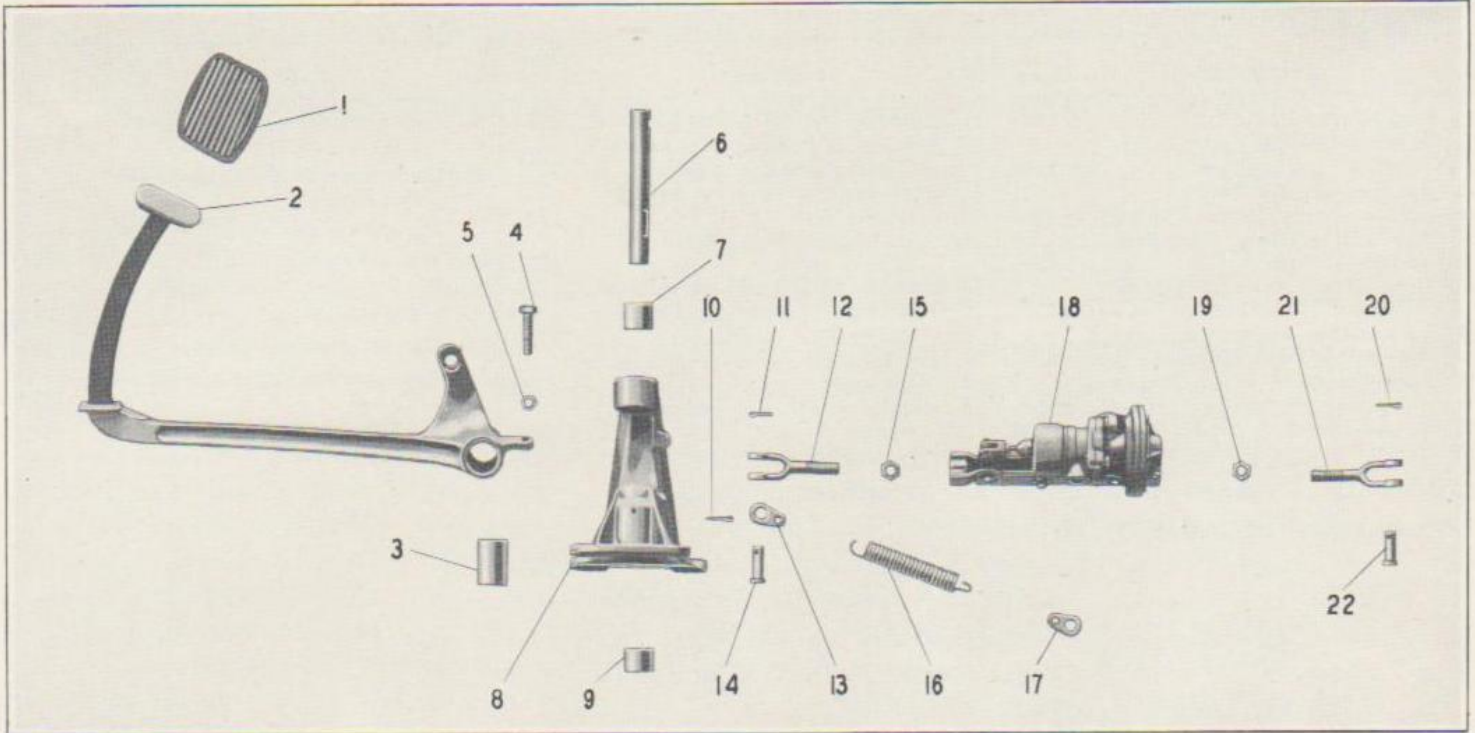
REAR HYDRAULIC BRAKES (Cont'd)



| Ref. No. | PART NAME | Govt. Group | Ref. No. | PART NAME | Govt. Group | Ref. No. | PART NAME | Govt. Group |
|----------|--|-------------|----------|--|-------------|----------|---|-------------|
| 1. | Bolt—Rear Wheel Cylinder Inlet Connection | 1207 | 23. | Washer—Rear Wheel Cylinder Spacer Screw | 1207 | 44. | Rivet—Rear Brake Adjusting Cam Bracket | 1203 |
| 2. | Gasket—Rear Wheel Cylinder Inlet Connection Bolt | 1207 | 24. | Cam—Rear Brake Shoe Adjusting | 1203 | 45. | Rivet—Rear Brake Adjusting Cam Bracket | 1203 |
| 3. | Nut—Rear Wheel Cylinder Inlet Connection | 1207 | 25. | Spring—Rear Brake Shoe Adjusting Cam | 1203 | 46. | Pin—Rear Brake Shoe Guide | 1203 |
| 4. | Connection—Rear Wheel Cylinder Inlet | 1207 | 26. | Washer—Rear Brake Shoe Adjusting Cam Pin | 1203 | 47. | Washer—Rear Brake Shoe Guide Pin | 1203 |
| 5. | Gasket—Rear Wheel Cylinder Inlet Connection | 1207 | 27. | Pin—Rear Brake Shoe Adjusting Cam | 1203 | 48. | Washer—Rear Brake Shoe Guide Pin | 1203 |
| 6. | Yoke Assembly—Rear Wheel Cylinder | 1207 | 28. | Shield—Rear Brake Dust | 1208 | 49. | Washer—Rear Brake Shoe Guide Pin "C" | 1203 |
| 7. | Boot—Rear Wheel Cylinder | 1207 | 29. | Pin—Rear Brake Shoe Adjusting Cam | 1203 | 50. | Shoe—Rear Brake (Use Shoe & Bushing Assy.—Rear Brake) | 1202 |
| 8. | Piston—Rear Wheel Cylinder | 1207 | 30. | Washer—Rear Brake Shoe Adjusting Cam Pin | 1203 | 51. | Lining—Rear Brake Shoe | 1202 |
| 9. | Cup—Rear Wheel Cylinder Piston | 1207 | 31. | Spring—Rear Brake Shoe Adjusting Cam | 1203 | 52. | Rivet—Rear Brake Shoe Lining | 1202 |
| 10. | Spring—Rear Wheel Cylinder Piston Cup | 1207 | 32. | Cam—Rear Brake Shoe Adjusting | 1203 | 53. | Rivet—Rear Brake Shoe Lining | 1202 |
| 11. | Cylinder—Rear Wheel | 1207 | 33. | Bracket—Rear Brake Shoe Adjusting Cam (Use Bracket Assy.—Rear Brake Adj. Cam, Pin & Brkt.) | 1203 | 54. | Bushing—Rear Brake Shoe | 1202 |
| 12. | Cup—Rear Wheel Cylinder Piston | 1207 | 34. | Bracket—Rear Brake Shoe Adjusting Cam (Use Bracket Assy.—Rear Brake Adj. Cam, Pin & Brkt.) | 1203 | 55. | Rivet—Rear Brake Shoe Anchor Bracket | 1208 |
| 13. | Piston—Rear Wheel Cylinder | 1207 | 35. | Lining—Rear Brake Shoe | 1202 | 56. | Bracket—Rear Brake Shoe Anchor | 1208 |
| 14. | Boot—Rear Wheel Cylinder | 1207 | 36. | Shoe—Rear Brake (Use Shoe & Bushing Assy.—Rear Brake) | 1202 | 57. | Bushing—Rear Brake Shoe | 1202 |
| 15. | Yoke Assembly—Rear Wheel Cylinder | 1207 | 37. | Pin—Rear Brake Shoe Stop | 1202 | 58. | Rivet—Rear Brake Shoe Lining | 1202 |
| 16. | Screw—Rear Wheel Cylinder Bleeder | 1207 | 38. | Spring—Rear Brake Shoe Return | 1203 | 59. | Rivet—Rear Brake Shoe Lining | 1202 |
| 17. | Washer—Rear Wheel Cylinder Bleeder Screw | 1207 | 39. | Pin—Rear Brake Shoe Stop | 1202 | 60. | Pin—Rear Brake Shoe Anchor | 1203 |
| 18. | Plug—Rear Wheel Cylinder Bleeder Screw | 1207 | 40. | Washer—Rear Brake Shoe Guide Pin "C" | 1203 | 61. | Washer—Rear Brake Shoe Anchor Pin | 1203 |
| 19. | Spacer—Rear Wheel Cylinder | 1207 | 41. | Washer—Rear Brake Shoe Guide Pin | 1203 | 62. | Nut—Rear Brake Shoe Anchor Pin | 1203 |
| 20. | Screw—Rear Wheel Cylinder Spacer | 1207 | 42. | Washer—Rear Brake Shoe Guide Pin | 1203 | 63. | Strap—Rear Brake Shoe Anchor Pin | 1203 |
| 21. | Washer—Rear Wheel Cylinder Spacer Screw | 1207 | 43. | Pin—Rear Brake Shoe Guide | 1203 | 64. | Washer—Rear Brake Shoe Anchor Pin "C" | 1203 |
| 22. | Screw—Rear Wheel Cylinder Spacer | 1207 | | | | 65. | Bolt—Rear Brake Unit to Axle Flange | 1208 |
| | | | | | | 66. | Washer—Rear Brake Unit to Axle Flange Bolt | 1208 |
| | | | | | | 67. | Nut—Rear Brake Unit to Axle Flange Bolt | 1208 |

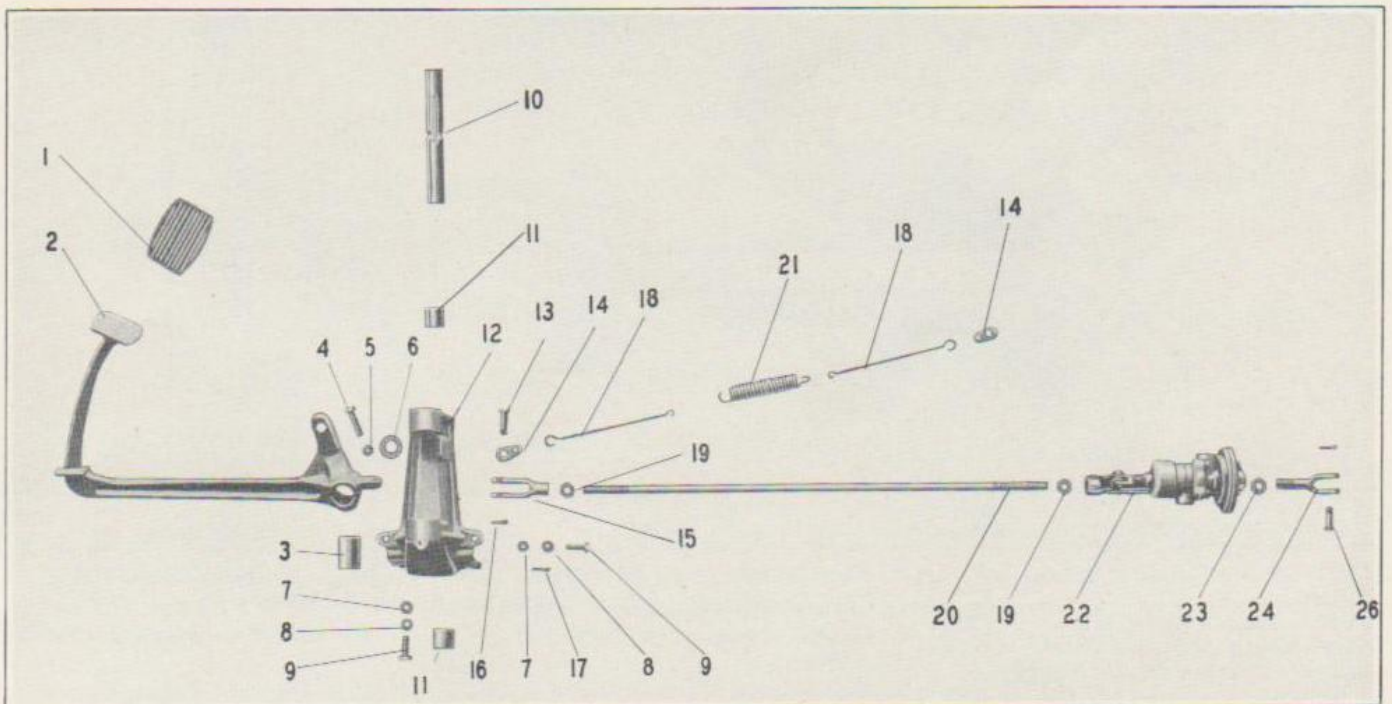
Group No.

1204 - PEDAL AND SPRING



Models EH and EHT - Column 1.

| Ref. No. | PART NAME | Govt. Group | Ref. No. | PART NAME | Govt. Group | Ref. No. | PART NAME | Govt. Group |
|----------|---|-------------|----------|--|-------------|----------|-------------------------------------|-------------|
| 1. | Pad—Brake Pedal | 1204 | 10. | Pin—Clutch Pedal Shaft Bushing Retainer Cotter | 0204 | 16. | Spring—Brake Pedal Retractor | 1204 |
| 2. | Pedal and Bushing Assembly—Brake | 1204 | 11. | Pin—Booster Valve to Pedal Clevis Pin Cotter | 1212 | 17. | Clip—Brake Pedal Retractor Spring | 1204 |
| 3. | Bushing—Brake Pedal | 1204 | 12. | Clevis—Booster Valve to Pedal | 1212 | 18. | Valve—Booster | 1211 |
| 4. | Screw—Brake Pedal Stop | 1204 | 13. | Clip—Brake Pedal Retractor Spring | 1204 | 19. | Nut—Booster Valve Clevis Adjusting | 1212 |
| 5. | Nut—Brake Pedal Stop Screw | 1204 | 14. | Pin—Booster Valve to Pedal Clevis | 1212 | 20. | Pin—Booster Valve Clevis Pin Cotter | 1212 |
| 6. | Shaft—Clutch and Brake Pedal | 0204 | 15. | Nut—Booster Valve to Pedal Clevis | 1212 | 21. | Clevis—Booster Valve | 1212 |
| 7. | Bushing—Pedal Shaft Bracket | 0204 | | | | 22. | Pin—Booster Valve Clevis | 1212 |
| 8. | Bracket and Bushing Assembly—Clutch & Brake Pedal | 0204 | | | | | | |
| 9. | Bushing—Pedal Shaft Bracket | 0204 | | | | | | |



Models EHU and EHUT - Column 2.
See page 112 for nomenclature.

1204
1205

| Group No. | Part No. | Description | No. Req'd. | |
|-----------|----------|-------------|------------|--------|
| | | | Col. 1 | Col. 2 |

1204 - PEDAL AND SPRING (Cont'd)

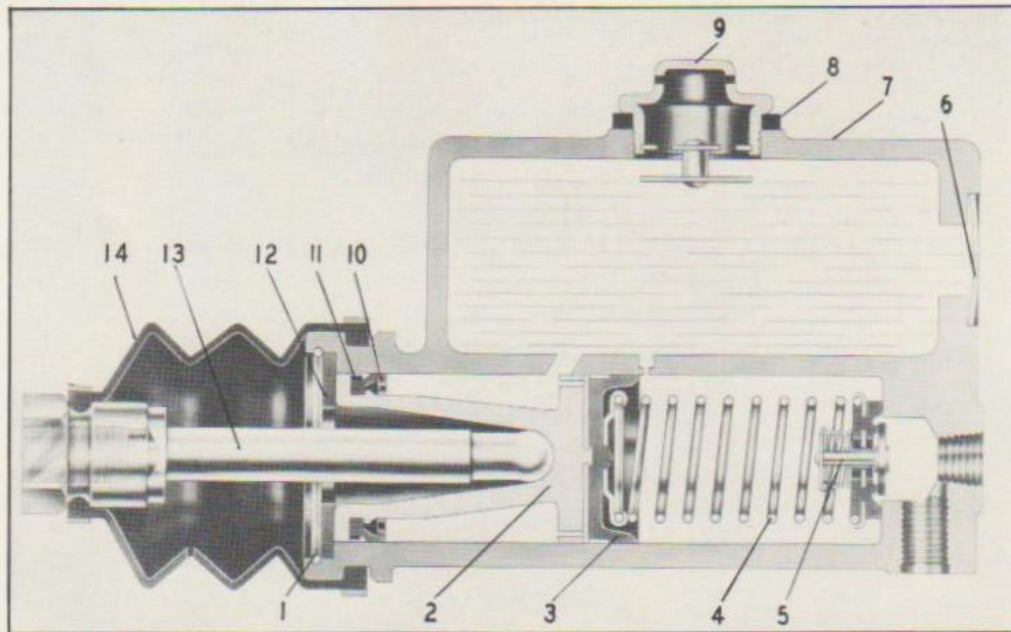
| Ref. No. | PART NAME | Govt. Group | Ref. No. | PART NAME | Govt. Group | Ref. No. | PART NAME | Govt. Group |
|----------|---|-------------|----------|---|-------------|----------|-------------------------------------|-------------|
| 1. | Pad—Brake Pedal | 1204 | 11. | Bushing—Pedal Shaft Bracket | 0204 | 19. | Nut—Booster Valve to Pedal Clevis | 1212 |
| 2. | Pedal & Bushing Assembly—Brake | 1204 | 12. | Bracket & Bushing Assembly—Clutch & Brake Pedal | 0204 | 20. | Rod—Booster Valve to Brake Pedal | 1212 |
| 3. | Bushing—Brake Pedal | 1204 | 13. | Pin—Booster Valve to Pedal Clevis | 1212 | 21. | Spring—Brake Pedal Retractor | 1212 |
| 4. | Screw—Brake Pedal Stop | 1204 | 14. | Clip—Brake Pedal Retractor Spring | 1204 | 22. | Valve—Booster | 1211 |
| 5. | Nut—Brake Pedal Stop Screw | 1204 | 15. | Clevis—Booster Valve to Pedal | 1212 | 23. | Nut—Booster Valve Clevis Adjusting | 1212 |
| 6. | Spacer—Brake Pedal | 1204 | 16. | Pin—Booster Valve to Pedal Clevis Pin Cotter | 1212 | 24. | Clevis—Booster Valve | 1212 |
| 7. | Nut—Clutch & Brake Pedal Bracket Mounting Bolt | 0204 | 17. | Pin—Clutch Pedal Shaft Bushing Retainer Cotter | 0204 | 25. | Pin—Booster Valve Clevis Pin Cotter | 1212 |
| 8. | Lockwasher—Clutch & Brake Pedal Bracket Mounting Bolt | 0204 | 18. | Rod—Brake Pedal Retractor Spring | 1204 | 26. | Pin—Booster Valve Clevis | 1212 |
| 9. | Bolt—Clutch & Brake Pedal Bracket Mounting | 0204 | | | | | | |
| 10. | Shaft—Clutch & Brake Pedal | 0204 | | | | | | |

Column #1 - Chassis EHIS2637-3072 and EHID3869-3943

Column #2 - Chassis EHUID1425-1494

| | | | | |
|----|-----------|--|---|---|
| 3 | MXA 13-P1 | Pedal & Bushing Assembly, Brake | 1 | - |
| 80 | AX 129 | Bushing, Brake Pedal (1.002" x 1.252") | 1 | 1 |
| 4 | AX 229 | Screw, Brake Pedal Stop (3/8"-16 x 1-3/4") | 1 | 1 |
| 22 | AX 2 | Nut, Brake Pedal Stop Screw (3/8"-16) | 1 | 1 |
| 10 | EH 140 | Pad, Brake Pedal | 1 | 1 |
| 10 | AB 12040 | Spring, Brake Pedal Retractor | 1 | 1 |
| 35 | AX 735 | Clip, Brake Pedal Retractor Spring (3/4") | 1 | - |
| 3 | MXA 14-P1 | Pedal & Bushing Assembly, Brake | - | 1 |
| 37 | AX 19 | Spacer, Brake Pedal (1-1/64") | - | 1 |
| 10 | AC 13046 | Rod, Brake Pedal Retractor Spring | - | 1 |

1205 - HYDRAULIC MASTER CYLINDER



| Ref. No. | PART NAME | Govt. Group | Ref. No. | PART NAME | Govt. Group | Ref. No. | PART NAME | Govt. Group |
|----------|--------------------------------------|-------------|----------|--------------------------------------|-------------|----------|---|-------------|
| 1. | Wire—Master Cylinder Piston Stop | 1205 | 6. | Plug—Master Cylinder Welch | 1205 | 11. | Ring—Master Cylinder Piston Secondary Cup | 1205 |
| 2. | Piston—Master Cylinder | 1205 | 7. | Tank—Master Cylinder Supply | 1205 | 12. | Washer—Master Cylinder Piston Stop | 1205 |
| 3. | Cup—Master Cylinder Primary | 1205 | 8. | Gasket—Master Cylinder Filler Cap | 1205 | 13. | Link—Master Cylinder Connecting | 1205 |
| 4. | Spring—Master Cylinder Piston Return | 1205 | 9. | Cap—Master Cylinder Filler | 1205 | 14. | Boot—Master Cylinder | 1205 |
| 5. | Valve Assembly—Master Cylinder Check | 1205 | 10. | Cup—Master Cylinder Piston Secondary | 1205 | | | |

| Group No. | Mack Part No. | Wagner Elec. Part No. | Description | No. Req'd |
|-----------|---------------|-----------------------|-------------|-----------|
|-----------|---------------|-----------------------|-------------|-----------|

1205 - HYDRAULIC MASTER CYLINDER (Cont'd)

| | | | |
|---------|---------|----------------------------|---|
| 8 QE 22 | FF 1407 | Cylinder, Hydraulic Master | 1 |
|---------|---------|----------------------------|---|

COMPONENT PARTS OF 8 QE 22 HYDRAULIC MASTER CYLINDER

| | | | |
|------------|---------|--|---|
| 24 SK 11 | FC 3474 | Bolt, Master Cylinder Outlet Fitting | 1 |
| 381 SK 14 | FC 5154 | Tank, Master Cylinder Supply | 1 |
| 10 BLH 4 | FC 17 | Gasket, Master Cylinder Outlet Plug | 1 |
| 10 BLHA 14 | FC 1266 | Valve Assembly, Master Cylinder | 1 |
| 10 BLH 24 | FD 962 | Cup, Master Cylinder Piston | 1 |
| 11 BLH 3 | FC 602 | Gasket, Master Cylinder Outlet Fitting | 1 |
| 11 BLH 4 | FC 603 | Gasket, Master Cylinder Outlet Fitting | 1 |
| | | Bolt | 1 |
| 10 EHW 1 | FC 1318 | Spring, Master Cylinder Piston Return | 1 |
| 10 EHW 2 | FC 1320 | Link, Master Cylinder Connecting | 1 |
| 10 EHW 3 | FC 1321 | Washer, Master Cylinder Piston Stop | 1 |
| 10 EHW 4 | FC 1330 | Wire, Master Cylinder Piston Stop | 1 |
| 10 EHW 5 | FC 1331 | Boot, Master Cylinder | 1 |
| 10 EHW 6 | FC 1332 | Strap, Master Cylinder Boot (Small) | 1 |
| 10 EHW 7 | FC 1333 | Strap, Master Cylinder Boot (Large) | 1 |
| 10 EHW 9 | FC 2037 | Gasket, Master Cylinder Filler Cap | 1 |
| 10 EHW 11 | FC 3555 | Ring, Master Cylinder Piston Secondary Cup | 1 |
| 10 EHWA 12 | FC 3683 | Piston, Master Cylinder | 1 |
| 10 EHW 14 | FC 4073 | Cap, Master Cylinder Filler | 1 |
| 10 EHW 15 | FD 1387 | Cup, Master Cylinder Piston Secondary | 1 |
| 10 EHW 16 | FC 4184 | Fitting, Master Cylinder Outlet | 1 |
| 10 EHW 17 | FC 2932 | Plug, Master Cylinder Welsh | 1 |
| 10 EHW 18 | FC 996 | Plug, Master Cylinder Outlet | 1 |

* * *

| | | | |
|-------------|--|---|---|
| 1 AX 112 | | Bolt, Brake Cylinder (7/16"-20 x 7/8") | 5 |
| 36 AX 4 | | Washer, Brake Cylinder Bolt (.453") | 5 |
| 85 QE 11 | | Brace, Booster Valve & Master Cylinder (Conventional Cab) | 1 |
| 85 QE 118 | | Brace, Booster Valve & Master Cylinder (Cab over Engine) | 1 |
| 43 RU 15-P1 | | Stud, Booster Valve & Master Cylinder Mounting | 1 |
| 20 AX 8 | | Nut, Booster Valve & Master Cylinder Mounting Stud (3/4"-16) | 1 |
| 36 AX 9 | | Washer, Booster Valve & Master Cylinder Mounting Stud Nut (3/4") | 1 |
| 21 AX 56 | | Nut, Booster Valve & Master Cylinder Mounting Stud (3/4"-16) | 1 |
| 123 AX 37 | | Pal Nut, Booster Valve & Master Cylinder Mounting Stud (3/4"-16) | 1 |

1207 - HYDRAULIC WHEEL CYLINDERS

| | | | |
|-----------|---------|---|---|
| 11 BLH 14 | FC 746 | Cylinder, Front Wheel, Assembly | 2 |
| 12 EHW 25 | FD 470 | Cylinder, Front Wheel | 2 |
| 12 EHW 29 | FC 3963 | Fitting, Front Inlet | 2 |
| 11 BLH 3 | FC 602 | Gasket, Front Inlet Fitting | 2 |
| 11 BLH 8 | FC 723 | Piston, Front Wheel Cylinder | 4 |
| 11 BLH 10 | FC 725 | Cup, Front Wheel Cylinder | 4 |
| 11 BLH 9 | FC 724 | Spring, Front Wheel Cylinder Piston Cup | 2 |
| 11 BLH 11 | FC 726 | Boot, Front Wheel Cylinder | 4 |

1207
1208

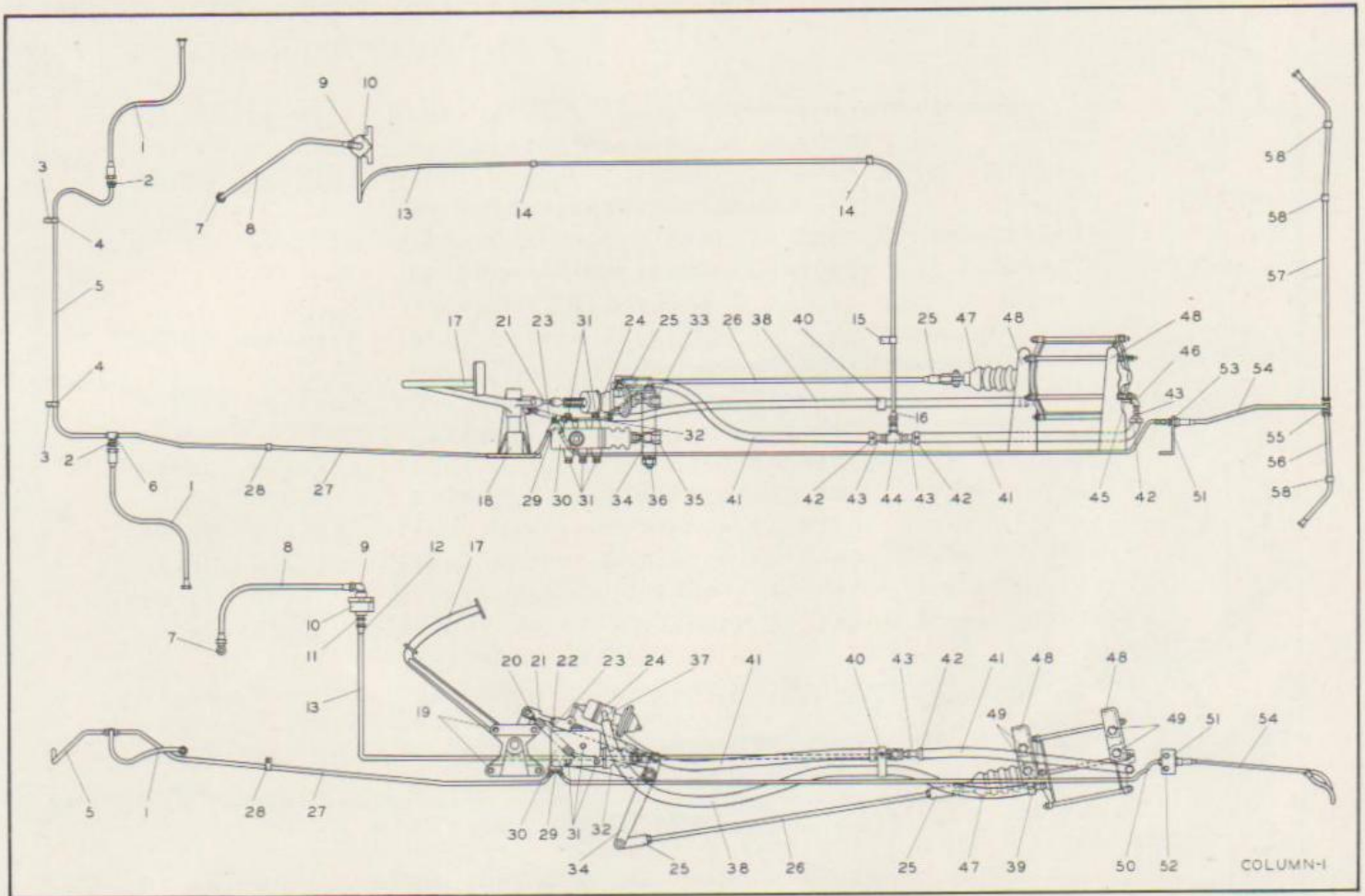
| Group No. | Mack Part No. | Wagner Elec. Part No. | Description | No. Req'd |
|--|---------------|-----------------------|--|-----------|
| 1207 - HYDRAULIC WHEEL CYLINDERS (Cont'd) | | | | |
| | 12 EHW 26 | FD 372 | Screw, Front Wheel Cylinder Bleeder | 2 |
| | 12 EHW 16 | FC 2200 | Link & Yoke, Front Wheel Cylinder Connecting Assembly | 4 |
| | | | * * * * | |
| | 49 QDA 23 | FD 727 | Cylinder Assembly, Rear Wheel | 2 |
| | 11 EHW 14 | FD 682 | Cylinder, Rear Wheel | 2 |
| | 11 EHW 15 | FC 968 | Screw, Rear Wheel Cylinder Bleeder | 2 |
| | 11 EHW 16 | FC 1035 | Connection, Rear Wheel Cylinder Inlet | 2 |
| | 11 EHW 17 | FC 1030 | Bolt, Rear Wheel Cylinder Inlet Connection | 2 |
| | 11 EHW 18 | FC 975 | Piston, Rear Wheel Cylinder | 4 |
| | 11 EHW 19 | FC 966 | Cup, Rear Wheel Cylinder Piston | 4 |
| | 11 EHW 20 | FC 965 | Spring, Rear Wheel Cylinder Piston Cup | 2 |
| | 11 EHW 21 | FC 967 | Boot, Rear Wheel Cylinder | 4 |
| | 11 EHW 22 | FC 969 | Yoke Assembly, Rear Wheel Cylinder | 4 |
| | 11 BLH 3 | FC 602 | Gasket, Rear Wheel Cylinder Inlet Connection | 2 |
| | 11 BLH 4 | FC 603 | Gasket, Rear Wheel Cylinder Inlet Fitting Bolt | 2 |
| | 1 AX 73 | - | Plug, Rear Wheel Cylinder Bleeder Screw (1/4"-28 x 1/2") | 2 |
| | 36 AX 1 | - | Washer, Rear Wheel Cylinder Bleeder Screw Plug (1/4") | 2 |
| | 50 QD 12 | - | Spacer, Rear Brake Cylinder | 2 |
| | 4 AX 7 | - | Screw, Rear Brake Cylinder Spacer (3/8"-16 x 1-3/4") | 4 |
| | 36 AX 3 | - | Washer, Rear Brake Cylinder Spacer Screw (3/8") | 4 |

1208 - BRAKE DUST SHIELD

| Part No. | Description | No. Req'd |
|-------------------------|--|-----------|
| AIR BRAKES | | |
| 27 QJ 21 | Slinger, Front Hub Oil | - |
| 35 QDA 38 | Dust Shield Assembly, Front Brake R.H. | 1 |
| 35 QDA 39 | Dust Shield Assembly, Front Brake L.H. | 1 |
| 9 QD 24 | Bracket, Brake Shoe Anchor Pin | 2 |
| 24 AX 204 | Rivet, Brake Shoe Anchor Pin Bracket (1/4" x 3/4") | 12 |
| 26 AX 29 | Rivet, Steering Knuckle to Brake Dust Shield (3/8"x1-3/8") | 12 |
| 35 QDA 24 | Shield, Rear Brake Dust R.H. | 1 |
| 35 QDA 25 | Shield, Rear Brake Dust L.H. | 1 |
| 1 AX 263 | Bolt, Rear Brake Unit to Axle Flange (5/8"-18x1-1/2") | 16 |
| 20 AX 7 | Nut, Rear Brake Unit to Axle Flange Bolt (5/8"-18) | 16 |
| 36 AX 7 | Washer, Rear Brake Unit to Axle Flange Bolt (.655") | 16 |
| 1 AX 381 | Screw, Front Hub Oil Slinger (5/16"-24 x 3/8") | 16 |
| 36 AX 2 | Lockwasher - Front Hub Oil Slinger Screw (5/16") | 16 |
| HYDRAULIC BRAKES | | |
| 12 EHW 3 | Shield, Front Brake Dust (Wagner Elec. #FD1863) | 2 |
| 26 AX 29 | Rivet, Steering Knuckle to Brake Dust Shield (3/8"x1-3/8") | 12 |
| 35 QDA 22 | Shield, Rear Brake Dust | 2 |
| 1 AX 263 | Bolt, Rear Brake Unit to Axle Flange (5/8"-18 x 1-1/2") | 16 |
| 20 AX 7 | Nut, Rear Brake Unit to Axle Flange Bolt (5/8"-18) | 16 |
| 36 AX 7 | Washer, Rear Brake Unit to Axle Flange Bolt (.655") | 16 |

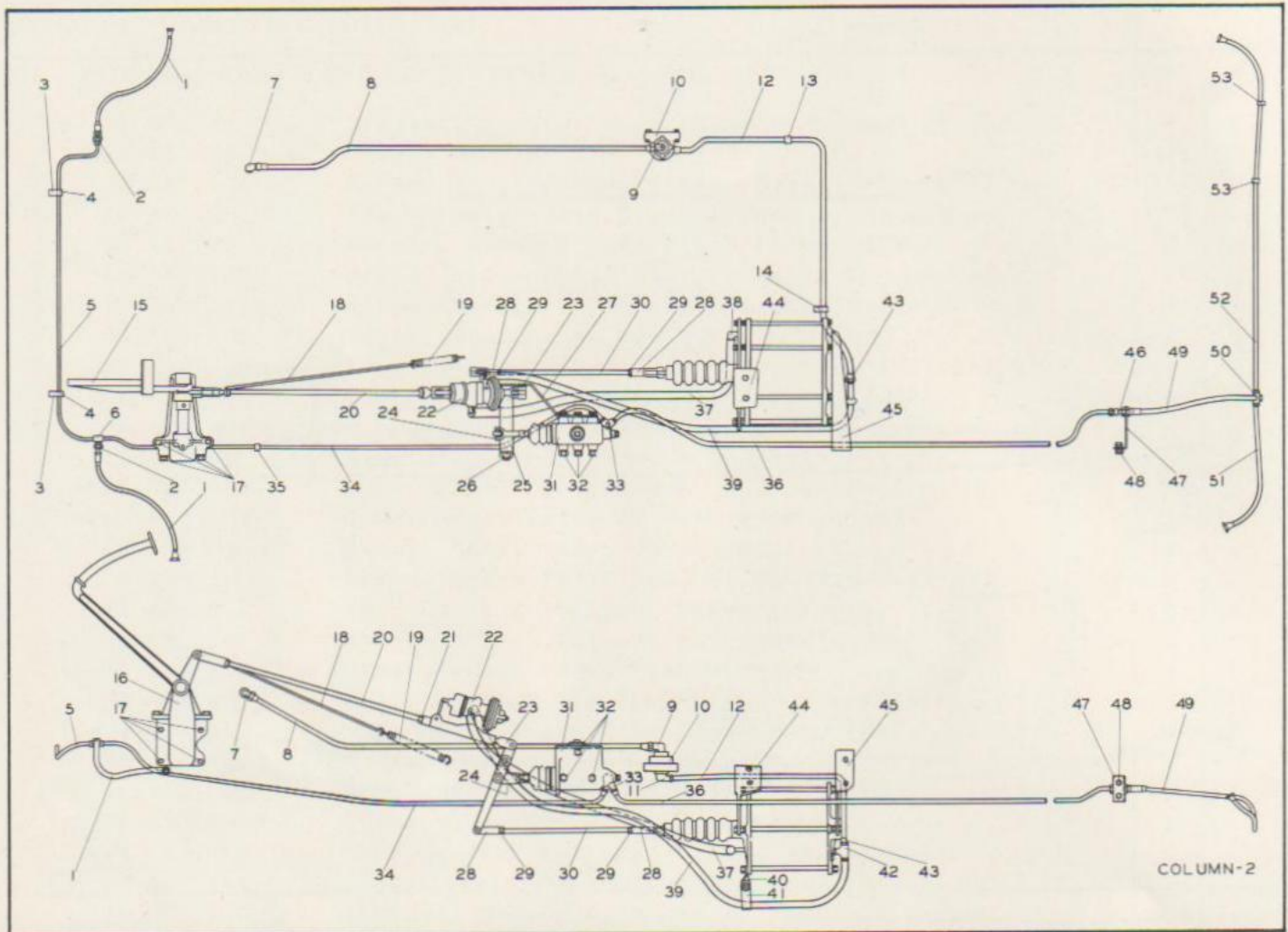
Group
No.

1209 - HYDRAULIC BRAKE LINES, PIPES, HOSES AND CLIPS



| Ref. No. | PART NAME | Govt. Group | Ref. No. | PART NAME | Govt. Group | Ref. No. | PART NAME | Govt. Group |
|----------|---|-------------|----------|---|-------------|----------|--|-------------|
| 1. | Hose—Front Wheel Brake Flexible | 1209 | 22. | Nut—Booster Valve Clevis Adjusting | 1212 | 42. | Clamp—Booster Hose | 1211 |
| 2. | Nut—Front Brake Hose | 1209 | 23. | Spring—Brake Pedal Retractor | 1204 | 43. | Nipple—Booster Valve to Booster Cylinder Hose | 1211 |
| 3. | Clamp—Headlamp Cable | 1209 | 24. | Valve—Booster | 1211 | 44. | Tee—Hose and Tube Connection | 1211 |
| 4. | Clamp—Front Wheel Tube | 1209 | 25. | Clevis—Master Cylinder to Booster Cylinder Rod | 1212 | 45. | Nipple—Booster Cylinder Connection | 1211 |
| 5. | Tube—Front Wheel Flexible Hose Connection | 1209 | 26. | Rod—Master Cylinder to Booster Cylinder | 1212 | 46. | Elbow—Booster to Tee Tube | 1211 |
| 6. | Tee—Master Cylinder to Front Brake Tube Connection | 1209 | 27. | Tube—Master Cylinder to Front Brake | 1209 | 47. | Cylinder—Vacuum Booster | 1210 |
| 7. | Elbow—At Exhaust Manifold | 1211 | 28. | Clamp—Master Cylinder to Front Brake Tube | 1209 | 48. | Bracket—Vacuum Booster Mounting | 1210 |
| 8. | Tube—Check Valve to Manifold | 1211 | 29. | Switch—Stop Light | 0606 | 49. | Bolt—Vacuum Booster Mounting Bracket | 1210 |
| 9. | Tee—Vertical Check Valve | 1211 | 30. | Cylinder—Hydraulic Master | 1205 | 50. | Tube—Master Cylinder to Rear Brake | 1209 |
| 10. | Valve and Mounting Bracket—Check | 1211 | 31. | Bolt—Brake Cylinder | 1205 | 51. | Bracket—Rear Brake Tube and Hose | 1209 |
| 11. | Tee—Check Valve | 1211 | 32. | Brace—Booster Valve and Master Cylinder | 1205 | 52. | Screw—Rear Brake Tube and Hose Bracket | 1209 |
| 12. | Connection—Check Valve to Tee Tube | 1211 | 33. | Clevis—Booster Valve | 1212 | 53. | Adapter—Rear Brake Tube and Hose | 1209 |
| 13. | Tube—Check Valve to Tee | 1211 | 34. | Lever and Bushing Assembly—Master Cylinder | 1212 | 54. | Hose—Rear Brake Flexible | 1209 |
| 14. | Clamp—Check Valve Tube | 1211 | 35. | Clevis—Master Cylinder | 1212 | 55. | Tee—Rear Brake Flexible Hose and Tube Connection | 1209 |
| 15. | Clamp—Check Valve Tube | 1211 | 36. | Stud—Booster Valve and Master Cylinder Mounting | 1205 | 56. | Tube—Rear Brake Connection (L.H.) | 1209 |
| 16. | Connection—Hose and Tube | 1211 | 37. | Elbow—Booster Cylinder to Booster Valve Hose | 1211 | 57. | Tube—Rear Brake Connection (R.H.) | 1209 |
| 17. | Pedal and Bushing Assembly—Brake | 1204 | 38. | Hose—Booster Valve to Booster Cylinder (Lower) | 1211 | 58. | Clamp—Rear Brake Connection Tube | 1209 |
| 18. | Bracket and Bushing Assembly—Clutch and Brake Pedal | 0204 | 39. | Clamp—Booster Hose | 1211 | | | |
| 19. | Bolt—Clutch and Brake Pedal Bracket Mounting | 0204 | 40. | Clamp—Booster Hose | 1211 | | | |
| 20. | Clip—Brake Pedal Retractor Spring | 1204 | 41. | Hose—Booster Valve to Booster Cylinder (Upper) | 1211 | | | |
| 21. | Clevis—Booster Valve | 1212 | | | | | | |

1209 - HYDRAULIC BRAKE LINES, PIPES, HOSES AND CLIPS (Cont'd)



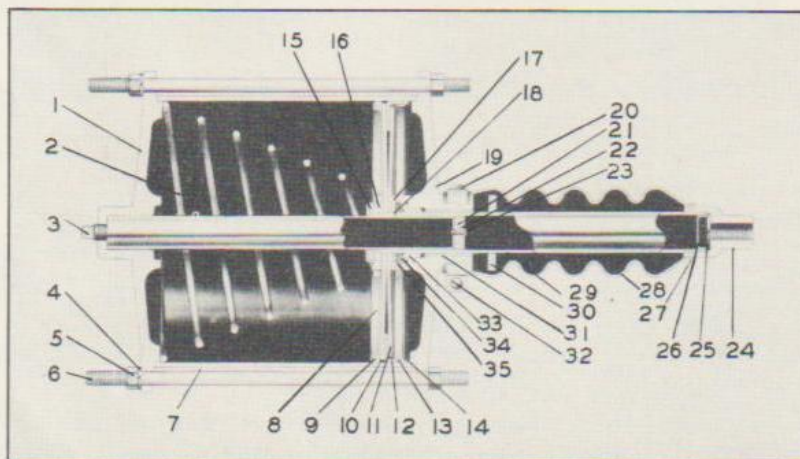
| Ref. No. | PART NAME | Govt. Group | Ref. No. | PART NAME | Govt. Group | Ref. No. | PART NAME | Govt. Group |
|----------|---|-------------|----------|---|-------------|----------|--|-------------|
| 1. | Hose—Front Wheel Brake Flexible | 1209 | 21. | Nut—Booster Valve Clevis Adjusting | 1212 | 39. | Hose—Booster Valve to Booster Cylinder (Lower) | 1211 |
| 2. | Nut—Front Brake Hose | 1209 | 22. | Valve—Booster | 1211 | 40. | Bracket—Booster Hose Clamp | 1211 |
| 3. | Clamp—Headlamp Cable | 1209 | 23. | Clevis—Booster Valve | 1212 | 41. | Clamp—Booster Hose | 1211 |
| 4. | Clamp—Front Wheel Tube | 1209 | 24. | Clevis—Master Cylinder | 1212 | 42. | Tee—Booster Cylinder Connection | 1211 |
| 5. | Tube—Front Wheel Flexible Hose Connection | 1209 | 25. | Lever and Bushing Assembly—Master Cylinder | 1212 | 43. | Connector—Booster Cylinder Tube | 1211 |
| 6. | Tee—Master Cylinder to Front Brake Tube Connection | 1209 | 26. | Stud—Booster Valve and Master Cylinder Mounting | 1205 | 44. | Bracket—Vacuum Booster Mounting (Front) | 1210 |
| 7. | Elbow—At Exhaust Manifold | 1211 | 27. | Brace—Booster Valve and Master Cylinder | 1205 | 45. | Bracket—Vacuum Booster Mounting (Rear) | 1210 |
| 8. | Tube—Check Valve to Manifold | 1211 | 28. | Clevis—Master Cylinder to Booster Rod | 1212 | 46. | Adapter—Rear Brake Tube and Hose | 1209 |
| 9. | Elbow—Brake Check Valve | 1211 | 29. | Nut—Master Cylinder to Booster Rod | 1212 | 47. | Bracket—Rear Brake Tube and Hose | 1209 |
| 10. | Valve and Mounting Bracket—Check | 1211 | 30. | Rod—Master Cylinder to Booster | 1212 | 48. | Screw—Rear Brake Tube and Hose Bracket | 1209 |
| 11. | Elbow—At Check Valve | 1211 | 31. | Cylinder—Hydraulic Master | 1205 | 49. | Hose—Rear Brake Flexible | 1209 |
| 12. | Tube—Valve to Cylinder | 1211 | 32. | Bolt—Brake Cylinder | 1205 | 50. | Tee—Rear Brake Flexible Hose and Tube Connection | 1209 |
| 13. | Clamp—Check Valve Tube | 1211 | 33. | Switch—Stop Light | 0606 | 51. | Tube—Rear Brake Connection (L.H.) | 1209 |
| 14. | Clamp—Check Valve Tube | 1211 | 34. | Tube—Master Cylinder to Front Brake | 1209 | 52. | Tube—Rear Brake Connection (R.H.) | 1209 |
| 15. | Pedal and Bushing Assembly Brake | 1204 | 35. | Clamp—Master Cylinder to Front Brake Tube | 1209 | 53. | Clamp—Rear Brake Connection Tube | 1209 |
| 16. | Bracket and Bushing Assembly—Clutch and Brake Pedal | 0204 | 36. | Tube—Master Cylinder to Rear Brake | 1209 | | | |
| 17. | Bolt—Clutch and Brake Pedal Mounting | 0204 | 37. | Hose—Booster Valve to Booster Cylinder (Upper) | 1211 | | | |
| 18. | Rod—Brake Pedal Retractor Spring | 1204 | 38. | Elbow—Booster Cylinder to Booster Valve | 1211 | | | |
| 19. | Spring—Brake Pedal Retractor | 1204 | | | | | | |
| 20. | Rod—Booster Valve to Brake Pedal | 1212 | | | | | | |

| Group No. | Part No. | Description | No. Req'd. | |
|---|----------|--|------------|--------|
| | | | Col. 1 | Col. 2 |
| 1209 - HYDRAULIC BRAKE LINES, PIPES, HOSES AND CLIPS (Cont'd) | | | | |
| Column #1 - Chassis EH1S2637-3072 and EH1D3869-3943 | | | | |
| Column #2 - Chassis EHUID1425-1494 | | | | |
| 59 RU | 34-P5 | Tube, Master Cylinder to Rear Brake (Chassis EHUID1445-1494) (5/16" x 105") | - | 1 |
| 59 RU | 34-P12 | Tube, Master Cylinder to Rear Brake (Chassis EHUID1425-1444) (5/16" x 87") | - | 1 |
| 59 RU | 34-P136 | Tube, Master Cylinder to Rear Brake (Chassis EH1D3869-3888, EH1S3040-3072, and EH1D3907-3943) (5/16" x 110") | 1 | - |
| 59 RU | 34-P138 | Tube, Master Cylinder to Rear Brake (Chassis EH1S2865-3039) (5/16" x 128") | 1 | - |
| 59 RU | 34-P139 | Tube, Master Cylinder to Rear Brake (Chassis EH1S2637-2831) (5/16" x 146") | 1 | - |
| 59 RU | 34-P137 | Tube, Master Cylinder to Rear Brake (Chassis EH1S2833-2864 & EH1D3889-3906) (5/16" x 116") | 1 | - |
| 59 RU | 34-P25 | Tube, Master Cylinder to Front Brake (5/16"x49") | 1 | - |
| 59 RU | 34-P13 | Tube, Master Cylinder to Front Brake (5/16"x64") | - | 1 |
| 83 AX | 40 | Clamp, Master Cylinder to Front Brake Tube (5/8") | 2 | 2 |
| 8 AX | 16 | Screw, Master Cylinder to Front Brake Tube Clamp (#10-24 x 3/4") | 2 | 2 |
| 53 AX | 1 | Nut, Master Cylinder to Front Brake Tube Clamp (#10-24 x 3/16") | 2 | 2 |
| 36 AX | 14 | Washer, Master Cylinder to Front Brake Tube Clamp (.200") | 2 | 2 |
| 63 AX | 910 | Tee, Master Cylinder to Front Brake Tube Connection (7/16"-24 x 1/2"-20) | 1 | 1 |
| 21 AX | 6 | Nut, Front Brake Hose (5/8"-18) | 2 | 2 |
| 36 AX | 52 | Washer, Front Brake Hose to Frame Mounting Nut (5/8") | 2 | 2 |
| 63 AX | 911 | Screw, Master Cylinder to Front Brake Tube Connection Tee (7/16"-24) | 1 | 1 |
| 39 AX | 22 | Washer, Master Cylinder to Front Brake Tube Connection Tee Screw (.448") | 2 | 2 |
| 42 QE | 23-P1 | Hose, Front Wheel Brake Flexible (Wagner Elec.#FC4050) | 2 | 2 |
| 59 RU | 31-P12 | Tube, Front Wheel Brake Flexible Hose Connection (1/4" x 58") | 1 | - |
| 59 RU | 31-P4 | Tube, Front Wheel Brake Flexible Hose Connection (1/4" x 54") | - | 1 |
| 83 AX | 25 | Clamp, Front Wheel Tube (1/4") | 2 | 2 |
| 83 AX | 29 | Clamp, Headlamp Cable (7/16") | 2 | 2 |
| 6 AX | 128 | Screw, Front Wheel Tube & Headlamp Cable Clamp (1/4"-20 x 3/4") | 2 | 2 |
| 22 AX | 5 | Nut, Front Wheel Tube & Headlamp Cable Clamp Screw (1/4"-20) | 2 | 2 |
| 36 AX | 1 | Washer, Front Wheel Tube & Headlamp Cable Clamp Screw (1/4") | 2 | 2 |
| 10 EH | 136 | Bracket, Rear Brake Tube & Hose | 1 | 1 |
| 1 AX | 33 | Screw, Rear Brake Tube & Hose Bracket (3/8"-24x7/8") | 2 | 2 |
| 20 AX | 3 | Nut, Rear Brake Tube & Hose Bracket Screw (3/8"-24) | 2 | 2 |
| 36 AX | 3 | Washer, Rear Brake Tube & Hose Bracket Screw (3/8") | 2 | 2 |
| 63 AX | 607 | Adapter, Rear Brake Tube & Hose (7/16"-24) | 1 | 1 |
| 21 AX | 24 | Nut, Rear Brake Tube & Hose Connection (5/8"-18) | 1 | 1 |
| 36 AX | 52 | Washer, Rear Brake Tube & Hose Connection (5/8") | 1 | 1 |
| 42 QE | 23-P1 | Hose, Rear Brake Flexible (Wagner Elec. #FC4050) | 1 | 1 |

1209
1210

| Group No. | Part No. | Description | No. Req'd. | |
|--|----------|--|------------|--------|
| | | | Col. 1 | Col. 2 |
| Column #1 - Chassis EH1S2637-3072 and EHID3869-3943 | | | | |
| Column #2 - Chassis EHUID1425-1494 | | | | |
| 1209 - HYDRAULIC BRAKE LINES, PIPES, HOSES AND CLIPS (Cont'd) | | | | |
| 63 AX | 605 | Tee, Rear Brake Flexible Hose & Tube Connection (7/16"-24 - 7/16"-20) | 1 | 1 |
| 4 AX | 16 | Screw, Rear Brake Flexible Hose & Tube Connection Tee (3/8"-16 x 1-1/4") | 1 | 1 |
| 36 AX | 3 | Washer, Rear Brake Flexible Hose & Tube Connection Tee Screw (3/8") | 1 | 1 |
| 37 AX | 183 | Washer, Rear Brake Flexible Hose & Tube Connection Tee Screw (25/64") | 1 | 1 |
| 59 RU | 33-P2 | Tube, Rear Brake Connection R.H. (1/4" x 48") | 1 | 1 |
| 59 RU | 33-P1 | Tube, Rear Brake Connection L.H. (1/4" x 18") | 1 | 1 |
| 83 AX | 26 | Clamp, Rear Brake Connection Tube (1/4") | 3 | 3 |
| 4 AX | 195 | Screw, Rear Brake Conn. Tube Clamp (3/8"-16 x 1/2") | 3 | 3 |
| 36 AX | 3 | Washer, Rear Brake Conn. Tube Clamp Screw (3/8") | 3 | 3 |
| 63 AX | 608 | Connection, at rear of Master Cylinder (1/2"-20) | - | 2 |
| 63 AX | 285 | Fitting, Rear Hydraulic Brake Tube (7/16"-20) | - | 2 |

1210 - VACUUM BOOSTER CYLINDER



| Ref. No. | PART NAME | Govt. Group | Ref. No. | PART NAME | Govt. Group | Ref. No. | PART NAME | Govt. Group |
|----------|---------------------------------|-------------|----------|-------------------------------------|-------------|----------|------------------------------------|-------------|
| 1. | Plate—Front End | 1210 | 14. | Cylinder—End Plate Gasket | 1210 | 25. | Lockwasher—Rod End | 1210 |
| 2. | Spring—Piston Return | 1210 | 15. | Felt—Piston Rod End Nut Lubrication | 1210 | 26. | Washer—Guide Rod Felt Retaining | 1210 |
| 3. | Plug—Pipe | 1210 | 16. | Nut & Lubricator—Piston Rod | 1210 | 27. | Wire—Piston Rod Guard | 1210 |
| 4. | Lockwasher | 1210 | 17. | Washer—Piston Plate Retaining | 1210 | 28. | Guard—Piston Rod | 1210 |
| 5. | Nut—Hex | 1210 | 18. | Ring—Piston Plate Lock | 1210 | 29. | Rod—Piston | 1210 |
| 6. | Stud—Cylinder | 1210 | 19. | Plate—Rear End | 1210 | 30. | Wiper—Piston Rod Felt | 1210 |
| 7. | Shell—Cylinder | 1210 | 20. | Screw—Guide Clamp Positioning | 1210 | 31. | Bushing—End Plate | 1210 |
| 8. | Plate—Piston Felt Retainer | 1210 | 21. | Felt—Guide Rod | 1210 | 32. | Clamp—Guard | 1210 |
| 9. | Felt—Piston | 1210 | 22. | Washer—Rod End | 1210 | 33. | Packing—End Plate Leather | 1210 |
| 10. | Plate—Front Piston (Straight) | 1210 | 23. | Screw—Guide Rod Felt | 1210 | 34. | Washer—End Plate Leather Retaining | 1210 |
| 11. | Plate—Rear Piston (Turned Edge) | 1210 | 24. | Fitting—Rod End | 1210 | 35. | Ring—End Plate Leather Lock | 1210 |
| 12. | Packing—Piston | 1210 | | | | | | |
| 13. | Ring—Piston Packing Expansion | 1210 | | | | | | |

| | | | | |
|------|------|---|---|---|
| 5 QE | 23 | Cylinder, Vacuum Booster (Bragg-Kliesrath #BK19566) | 1 | 1 |
| 6 QE | 312A | Bracket, Vacuum Booster Mounting (Rear) | - | 1 |
| 6 QE | 323 | Bracket, Vacuum Booster Mounting (Front) | - | 1 |
| 6 QE | 322 | Bracket, Vacuum Booster Mounting | 2 | - |

| Group No. | Part No. | Description | No. Req'd. | |
|---|----------|---|------------|--------|
| | | | Col. 1 | Col. 2 |
| Column #1 - Chassis EH1S2637-3072 and EH1D3869-3943 | | | | |
| Column #2 - Chassis EHUID1425-1494 | | | | |
| 1210 - VACUUM BOOSTER CYLINDER (Cont'd) | | | | |
| 1 | AX 60 | Bolt, Vacuum Booster Mounting Bracket (1/2"-20 x 1-1/2") | 4 | 2 |
| 20 | AX 5 | Nut, Vacuum Booster Mounting Bracket Bolt (Rear) (1/2"-20 x 13/16") | 4 | 2 |
| 36 | AX 5 | Washer, Vacuum Booster Mounting Bracket Bolt (Rear) (0.515) | 4 | 2 |
| 3 | AX 87 | Bolt, Vacuum Booster Mounting Bracket (Front) (3/8"-24 x 1") | - | 1 |
| 1 | AX 35 | Bolt, Vacuum Booster Mounting Bracket (Front) (3/8"-24 x 1") | - | 1 |
| 20 | AX 3 | Nut, Vacuum Booster Mounting Bracket (Front) (3/8"-24) | - | 2 |
| 36 | AX 3 | Washer, Vacuum Booster Mounting Bracket Bolt (Front) (3/8") | - | 2 |

COMPONENT PARTS OF VACUUM BOOSTER CYLINDER

5 QE 23 Bragg-Kliesrath #BK19566

| | | | No. Req'd | |
|-----------|-------------------------------------|--|-----------|--------|
| | | | Col. 1 | Col. 2 |
| BK-18635 | Shell, Cylinder | | | 1 |
| BK-18637 | Plate, Front End | | | 1 |
| BK-21207 | Plate, Rear End | | | 1 |
| BK-20970 | Plate, Front Piston (Straight) | | | 1 |
| BK-20968 | Plate, Rear Piston (Turned Edge) | | | 1 |
| BK-20972 | Plate, Piston Felt Retainer | | | 1 |
| #BK-16347 | Packing, Piston | | | 1 |
| #BK-10893 | Felt, Piston | | | 1 |
| #BK-11213 | Ring, Piston Packing Expansion | | | 1 |
| BK-15122 | Rod, Piston | | | 1 |
| BK-10992 | Fitting, Rod End | | | 1 |
| BK-11304 | Nut & Lubricator, Piston Rod | | | 1 |
| #BK-21317 | Guard, Piston Rod | | | 1 |
| BK-16474 | Clamp, Guard | | | 1 |
| BK-11454 | Wire, Piston Rod Guard | | | 1 |
| #BK-10077 | Cylinder, End Plate Gasket | | | 2 |
| #BK-10032 | Ring, End Plate Leather Lock | | | 1 |
| #BK-10080 | Ring, Piston Plate Lock | | | 1 |
| BK-10030 | Washer, End Plate Leather Retaining | | | 1 |
| BK-10886 | Washer, Piston Plate Retaining | | | 1 |
| BK-11243 | Plug, Piston Rod | | | 1 |
| BK-11256 | Washer, Guide Rod Felt Retaining | | | 1 |
| #BK-11258 | Felt, Guide Rod | | | 1 |
| #BK-11260 | Felt, Piston Rod Nut Lubrication | | | 1 |
| #BK-11704 | Wiper, Piston Rod Felt | | | 1 |
| #BK-10551 | Packing, End Plate Leather | | | 1 |
| BK-17028 | Bushing, End Plate | | | 1 |
| BK-12828 | Screw, Guide Rod Felt | | | 1 |
| BK-10485 | Screw, Guide Clamp Positioning | | | 1 |
| BK-18645 | Stud, Cylinder | | | 6 |
| 30-S-4 | Nut, Hex. 7/16"-20 | | | 24 |
| 40-S-4 | Lockwasher 7/16" | | | 24 |
| BK-11046 | Lockwasher, Rod End | | | 1 |
| BK-13038 | Fitting, Hose (3/4") | | | 2 |

1210 - VACUUM BOOSTER CYLINDER (Cont'd)

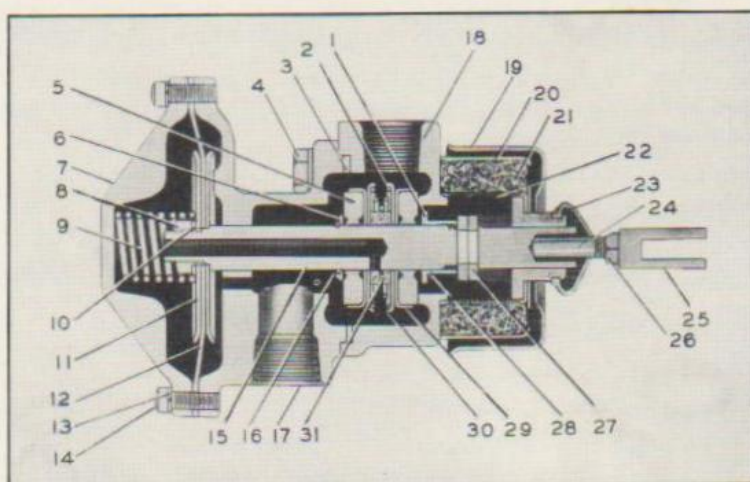
COMPONENT PARTS OF VACUUM BOOSTER CYLINDER (Cont'd)

5 QE 23 Bragg-Kliesrath #BK19566

| | | |
|--------|-------------------|---|
| 94-S-1 | Plug, Pipe (1/8") | 2 |
| 94-S-3 | Plug, Pipe (1/4") | 1 |
| 371705 | Kit, Repair | 1 |

Parts contained in Repair Kit

1211 - POWER BRAKE LINES & FITTINGS



| Ref. No. | PART NAME | Govt. Group | Ref. No. | PART NAME | Govt. Group | Ref. No. | PART NAME | Govt. Group |
|----------|----------------------------|-------------|----------|----------------------------|-------------|----------|--------------------------|-------------|
| 1. | Washer | 1211 | 11. | Plate—Diaphragm | 1211 | 21. | Hair—Air Cleaner | 1211 |
| 2. | Spring—Valve | 1211 | 12. | Diaphragm—Valve | 1211 | 22. | Screen—Air Cleaner | 1211 |
| 3. | Gasket—Valve Housing | 1211 | 13. | Lockwasher | 1211 | 23. | Guard—Valve Rod | 1211 |
| 4. | Screw—Cap | 1211 | 14. | Screw—Machine | 1211 | 24. | Rod—Valve Operating | 1211 |
| 5. | Disc—Valve | 1211 | 15. | Rod—Valve | 1211 | 25. | Yoke—Valve Operating Rod | 1211 |
| 6. | Washer—Valve Disc Stop | 1211 | 16. | Ring—Valve Disc Lock | 1211 | 26. | Nut—Hex | 1211 |
| 7. | Cover—Intermediate Housing | 1211 | 17. | Housing—Intermediate Valve | 1211 | 27. | Nut—Valve Disc Adjusting | 1211 |
| 8. | Nut—Hex | 1211 | 18. | Housing—Front Valve | 1211 | 28. | Spacer—Valve | 1211 |
| 9. | Spring—Valve Return | 1211 | 19. | Cover—Dust | 1211 | 29. | Retainer—Valve Disc | 1211 |
| 10. | Washer—Diaphragm Plate | 1211 | 20. | Cover—Air Cleaner | 1211 | 30. | Retainer—Valve Spring | 1211 |
| | | | | | | 31. | Washer—Valve Rod Felt | 1211 |

Column #1 - Chassis EH1S2637-3072 & EH1D3869-3943

Column #2 - Chassis EHU1D1425-1494

HYDRAULIC BRAKES

4 QE 31B Valve, Booster (Bragg-Kliesrath #370565)

COMPONENT PARTS OF BOOSTER VALVE

4 QE 31B Bragg Kliesrath #370565

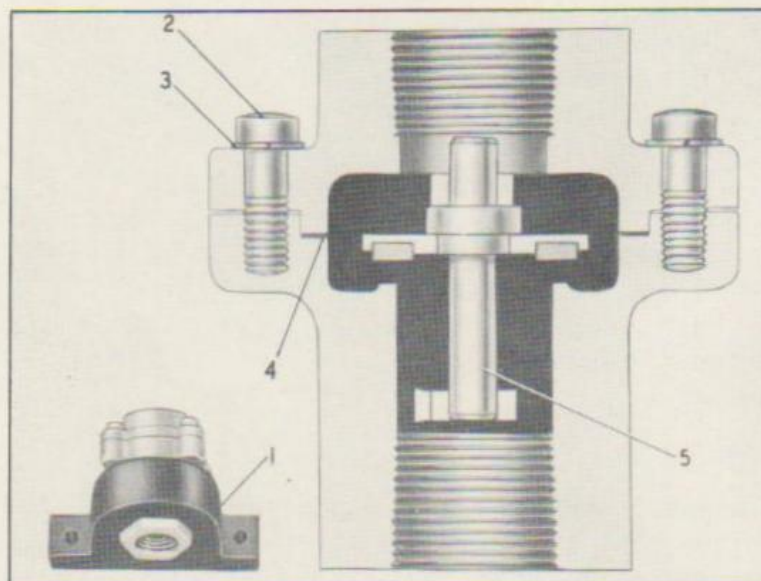
| | | | |
|-----------|------------------------------|---|---|
| #BK-13866 | Guard, Valve Rod | 1 | 1 |
| #BK-18204 | Gasket, Valve Housing | 1 | 1 |
| #BK-930 | Spring, Valve | 1 | 1 |
| #BK-21842 | Spring, Valve Return | 1 | 1 |
| #BK-10172 | Ring, Valve Disc Lock | 1 | 1 |
| #BK-12745 | Ring, Air Cleaner Cover Lock | 1 | 1 |
| BK-10031 | Washer, Air Cleaner Cover | 1 | 1 |
| BK-10167 | Retainer, Valve Spring | 2 | 2 |

| No. Req'd. | |
|------------|--------|
| Col. 1 | Col. 2 |
| 1 | 1 |
| 1 | 1 |
| 1 | 1 |
| 1 | 1 |
| 1 | 1 |
| 1 | 1 |
| 1 | 1 |
| 2 | 2 |

| Group No. | Part No. | Description | No. Req'd. | |
|---|------------|---|------------|--------|
| | | | Col. 1 | Col. 2 |
| Column #1 - Chassis EHIS2637-3072 and EHID3869-3943 | | | | |
| Column #2 - Chassis EHUID1425-1494 | | | | |
| 1211 - POWER BRAKE LINES & FITTINGS (Cont'd) | | | | |
| COMPONENT PARTS OF BOOSTER VALVE (Cont'd) | | | | |
| | BK-10176 | Washer, Valve Disc Stop | 1 | 1 |
| | BK-18995 | Retainer, Valve Disc | 2 | 2 |
| | BK-21451 | Washer, Dia. Plate | 1 | 1 |
| | BK-21857 | Washer | 1 | 1 |
| | BK-21844 | Spacer, Valve | 1 | 1 |
| | #BK-21966 | Washer, Valve Rod Felt | 1 | 1 |
| | BK-21841 | Housing, Front Valve | 1 | 1 |
| | BK-21839 | Housing, Intermediate Valve | 1 | 1 |
| | BK-14584 | Cover, Dust | 1 | 1 |
| | BK-21840 | Cover, Intermediate Housing | 1 | 1 |
| | BK-21845 | Rod, Valve | 1 | 1 |
| | BK-18772 | Rod, Valve Operating | 1 | 1 |
| | #BK-18206 | Disc, Valve | 2 | 2 |
| | #BK-18996 | Diaphragm Valve | 1 | 1 |
| | BK-14669 | Plate, Diaphragm | 2 | 2 |
| | BK-14577 | Cover, Air Cleaner | 1 | 1 |
| | #BK-11192 | Hair, Air Cleaner | 1oz. | 1oz. |
| | 371641 | Lever, Valve Operating | 1 | 1 |
| | 370563 | Bracket Assembly, Valve Support | 1 | 1 |
| | 25-S-15 | Screw, Cap (5/16"-24 x 1-1/2") | 2 | 2 |
| | 61-S-41 | Screw, Machine (10-24 x 5/8") | 6 | 6 |
| | 62-S-5 | Screw, Cap (1/4"-20 x 3/4") | 4 | 4 |
| | 30-S-2 | Nut, Hex. (5/16"-24) | 2 | 2 |
| | 30-S-3 | Nut, Hex. (3/8"-24) | 1 | 1 |
| | BK-18371 | Nut, Valve Disc. Adj. | 2 | 2 |
| | 78-S-1 | Nut, Hex. (1/4"-28) | 1 | 1 |
| | 40-S-2 | Lockwasher (5/16") | 2 | 2 |
| | 40-S-31 | Lockwasher (1/4" Std.) | 4 | 4 |
| | 40-S-49 | Lockwasher (#10) | 6 | 6 |
| | 50-S-2 | Pin, Cotter (1/16" x 7/16") | 1 | 1 |
| | 50-S-7 | Pin, Cotter (3/32" x 1/2") | 1 | 1 |
| | 50-S-13 | Pin, Cotter (1/8" x 7/8") | 1 | 1 |
| | BK-18774 | Pin, Linkage Spacer | 1 | 1 |
| | BK-19723 | Pin, Rod End (1/4" x 23/32") | 1 | 1 |
| | BK-19726 | Pin, Rod End (1/2" x 1-27/64") | 1 | 1 |
| | BK-19727 | Pin, Rod End (5/16" x 1-3/8") | 1 | 1 |
| | 370561 | Link, Sliding | 1 | 1 |
| | BK-18051 | Yoke, Valve Operating Rod | 1 | 1 |
| | 370658 | Kit, Repair for RXL Valve | 1 | 1 |
| # Parts contained in 370658 Repair Kit | | | | |
| * * * | | | | |
| | 105 AX 125 | Hose, Booster Valve to Booster Cylinder (Lower) (3/4" x 1-3/16" x 55") | 1 | 1 |
| | 105 AX 119 | Hose, Booster Valve to Booster Cylinder (Upper) (3/4" x 1-3/16" x 37") | 1 | - |
| | 105 AX 120 | Hose, Booster Valve to Booster Cylinder (Upper) (3/4" x 1-3/16" x 40") | - | 1 |
| | 83 AX 16 | Clamp, Booster Hose (1-1/4") | 4 | 4 |
| | 77 QE 16 | Bracket, Booster Hose Clamp (On Master Cylinder) | - | 1 |

1211

| Group No. | Part No. | Description | No. Req'd. | |
|---|----------|--|------------|--------|
| | | | Col. 1 | Col. 2 |
| Column #1 - Chassis EH1S2637-3072 and EH1D3869-3943 | | | | |
| Column #2 - Chassis EHUID1425-1494 | | | | |
| 1211 - POWER BRAKE LINES & FITTINGS (Cont'd) | | | | |
| 77 QE | 17 | Bracket, Booster Hose Clamp (On Booster Cylinder) | - | 1 |
| 83 AX | 28 | Clamp, Booster Hose (1-1/8") | 1 | 2 |
| 1 AX | 120 | Screw, Booster Hose Clamp (5/16"-24 x 5/8") | 1 | 2 |
| 20 AX | 2 | Nut, Booster Hose Clamp Screw (5/16"-24) | 1 | 2 |
| 36 AX | 22 | Washer, Booster Hose Clamp Screw (5/16") | 1 | 2 |
| 10 AK | 1390 | Nipple, Booster Cylinder to Master Cylinder Hose | 1 | 1 |
| 10 AK | 1392A | Elbow, Booster Cylinder to Master Cylinder Hose | 1 | 1 |
| 63 AX | 262 | Elbow, Booster to Tee Tube (1/2") | 1 | 1 |
| 63 AX | 1058 | Nipple, Booster Cylinder Connection (1/2"x1-1/2") | 1 | 1 |
| 63 AX | 222 | Tee, Booster Cylinder Connection (1/2") | - | 1 |
| 63 AX | 1086 | Nipple, Booster Cylinder Connection (1/2"x2-3/8") | - | 1 |
| 63 AX | 70 | Nipple, Booster Cylinder Connection (1/2"x2-1/2") | - | 1 |
| 246 AX | 50 | Tube, Valve to Cylinder (1/2" x 50") | - | 1 |
| 246 AX | 122 | Tube, Check Valve to Tee (1/2" x 122") | 1 | - |
| 83 AX | 64 | Clamp, Check Valve Tube (2") | 2 | 1 |
| 8 AX | 16 | Screw, Check Valve Tube Clamp (#10-24x3/4") | 2 | 1 |
| 53 AX | 1 | Nut, Check Valve Tube Clamp (#10-24) | 2 | 1 |
| 36 AX | 14 | Washer, Check Valve Tube Clamp (0.200) | 2 | 1 |
| 83 AX | 118 | Clamp, Check Valve Tube (1/2") | 1 | 1 |
| 1 AX | 35 | Bolt, Check Valve Tube Clamp (3/8"-24x1") | 1 | 1 |
| 20 AX | 3 | Nut, Check Valve Tube Clamp (3/8"-24) | 1 | 1 |
| 36 AX | 3 | Washer, Check Valve Tube Clamp (3/8") | 1 | 1 |
| 63 AX | 69 | Tee, Hose & Tube Connection (3/8") | 1 | - |
| 63 AX | 1085 | Connection, Hose & Tube (1/2") | 1 | - |
| 246 AX | 36 | Tube, Master Cylinder to Tee (1/2" x 36") | 1 | - |
| 63 AX | 491 | Elbow, Master Cylinder to Tee Tube (11/16"-20) | 1 | - |
| 63 AX | 140 | Reducer, Master Cylinder to Tee Tube Elbow (1/2" x 3/8") | 1 | - |
| 13 QE | 12 | Valve & Mounting Bracket, Check (BK #21649) | 1 | 1 |



| Ref. No. | PART NAME | Govt. Group | Ref. No. | PART NAME | Govt. Group | Ref. No. | PART NAME | Govt. Group |
|----------|----------------|-------------|----------|-------------------|-------------|----------|---------------------|-------------|
| 1. | Bracket—Rubber | 1211 | 3. | Lockwasher | 1211 | 5. | Stem Assembly—Valve | 1211 |
| 2. | Screw—Machine | 1211 | 4. | Gasket—Valve Body | 1211 | | | |

| Group No. | Part No. | Description | No. Req'd. | |
|---|----------|---|------------|--------|
| | | | Col. 1 | Col. 2 |
| Column #1 - Chassis EH1S2637-3072 and EH1D3869-3943 | | | | |
| Column #2 - Chassis EH1D1425-1494 | | | | |
| 1211 - POWER BRAKE LINES & FITTINGS (Cont'd) | | | | |
| COMPONENT PARTS OF 13 QE 12 CHECK VALVE | | | | |
| 370648 | | Kit, Repair | 1 | 1 |
| BK 16640 | | Gasket, Valve Body | 1 | 1 |
| BK 16641 | | Stem Assembly, Valve | 1 | 1 |
| BK 16819 | | Bracket, Rubber (Mack #29 QE 12) | 1 | 1 |
| 61-S-41 | | Machine Screw (#10-24 x 5/8) | 4 | 4 |
| 40-S-49 | | Lockwasher (#10 Standard) | 4 | 4 |
| | | * * * | | |
| 1 AX 126 | | Bolt, Check Valve Mounting (1/4"-28x1") | 2 | 2 |
| 20 AX 1 | | Nut, Check Valve Mounting Bolt (1/4"-28) | 2 | 2 |
| 36 AX 1 | | Washer, Check Valve Mounting Bolt (1/4") | 2 | 2 |
| 17 QE 22 | | Tube, Check Valve to Manifold | 1 | - |
| 59 RU 312-P7 | | Tube, Check Valve to Manifold | - | 1 |
| 63 AX 372 | | Elbow, Brake Check Valve Tube (3/4"-16) | 1 | 1 |
| 63 AX 372 | | Elbow, at Exhaust Manifold (3/4"-16) | 1 | 1 |
| 63 AX 505 | | Tee, Check Valve (11/16"-20) | 1 | - |
| 63 AX 1142 | | Tee, Check Valve (Vertical) (3/4"-16) | 1 | - |
| 63 AX 497 | | Connection, Vertical Check Valve Tee (7/16"-24) | 1 | - |
| 63 AX 524 | | Elbow, at Check Valve (3/8") | - | 1 |
| 63 AX 487 | | Connection, at Check Valve (11/16"-20) | - | 1 |
| 63 AX 355 | | Nut, at Check Valve (1/2") | - | 1 |
| 52 AX 5 | | Sleeve, at Check Valve (.515"x5/8"x3/8") | - | 1 |
| 63 AX 487 | | Connection, Check Valve to Tee Tube (11/16"-20) | 2 | - |
| 63 AX 355 | | Nut, Check Valve to Tee Tube (1/2") | 2 | - |
| 52 AX 5 | | Sleeve, Check Valve to Tee Tube (.515"x5/8"x3/8") | 2 | - |
| 63 AX 1152 | | Nipple, Booster Valve to Booster Cylinder Hose (1/2") | 4 | - |

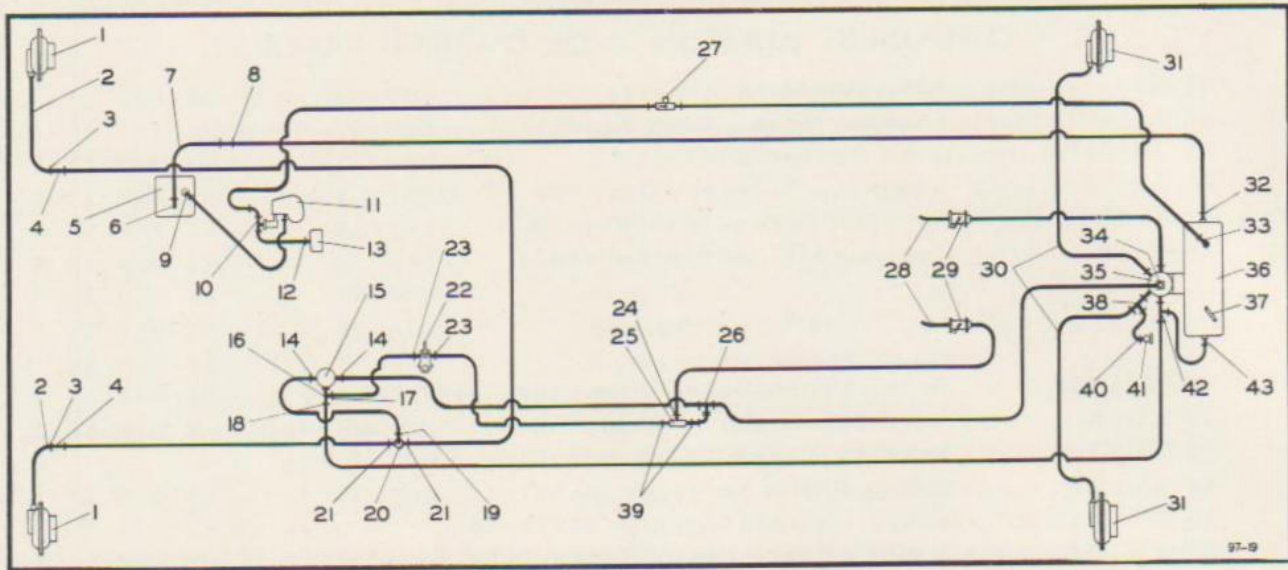
AIR BRAKES - TRACTOR MODELS

| | | | | No. Req'd |
|------------|--|--|--|--------------|
| 10 BK 1255 | | Tube, Air Compressor Titeflex (3/8"x16-1/2") | | 1 |
| 63 AX 723 | | Nipple, Air Compressor Outlet (3/8" x 3") | | 1 |
| 63 AX 132 | | Elbow, Air Compressor Outlet (3/8") | | 1 |
| 63 AX 1103 | | Tee Assembly, Governor Tube (1/4") | | 1 |
| 63 AX 1081 | | Connector, Compressor Governor Tube (7/16"-24) | | 1 |
| 63 AX 6 | | Reducer, Governor Tube (1/4" x 1/8") | | 2 |
| 52 AX 15 | | Sleeve, Governor Tube (.258 x .344 x 1/4") | | 3 |
| 63 AX 1005 | | Nut, Governor Tube (1/4") | | 3 |
| 63 AX 1081 | | Coupling, Assembly, Air Gauge Tube (7/8") | | 1 |
| 63 AX 1005 | | Nut, Air Gauge Tube (1/4") | | 1 |
| 52 AX 15 | | Sleeve, Air Gauge Tube (.258 x .344 x 1/4") | | 1 |
| 63 AX 672 | | Elbow, Foot Valve (3/8") | | 1 |
| 63 AX 62 | | Nipple, Foot Valve (3/8") | | 1 |
| 63 AX 65 | | Tee, Foot Valve (3/8") | | 1 |
| 63 AX 1083 | | Connector Assembly, Foot Valve to Hand Control Valve Tube (1/4 x 2-1/8") | | 1 |
| 63 AX 1085 | | Connection Assembly, Foot Valve to Reservoir Tube (EHT) (1/2") | | 1 |

| Group No. | Part No. | Description | No. Req'd |
|-----------|----------|-------------|-----------|
|-----------|----------|-------------|-----------|

1211 - POWER BRAKE LINES & FITTINGS (Cont'd)

AIR BRAKES - TRACTOR MODELS (Cont'd)



| Ref. No. | PART NAME | Govt. Group | Ref. No. | PART NAME | Govt. Group | Ref. No. | PART NAME | Govt. Group |
|----------|---|-------------|----------|--|-------------|----------|---|-------------|
| 1. | Chamber—Air Brake (Front) | 1213 | 17. | Connector Assembly—Foot Valve to Hand Control Valve Tube | 1211 | 31. | Chamber—Air Brake (Rear) | 1213 |
| 2. | Hose Assembly—Brake Flexible | 1211 | 18. | Connector Assembly—Foot Valve to Reservoir Tube (EHT) | 1211 | 32. | Connector Assembly—Air Reservoir Inlet Tube | 1211 |
| 3. | Nut—Front Brake Hose Frame Connection Fitting | 1211 | 19. | Elbow Assembly—Quick Release Valve to Foot Valve Tube | 1211 | 33. | Elbow Assembly—Air Reservoir Governor Tube | 1211 |
| 4. | Fitting—Front Brake Hose Frame Connection | 1211 | 20. | Valve—Quick Release | 1213 | 34. | Elbow Assembly—Relay Valve to Foot Valve Tube | 1211 |
| 5. | Compressor—Air | 1213 | 21. | Connector Assembly—Quick Release Valve to Frame Tube | 1211 | 35. | Valve Relay | 1213 |
| 6. | Elbow—Air Compressor Outlet | 1211 | 22. | Valve—Hand Control | 1213 | 36. | Reservoir—Air | 1213 |
| 7. | Tube—Air Compressor Tite-Flex | 1211 | 23. | Connector Assembly—Hand Control Valve Tube | 1211 | 37. | Valve—Safety | 1213 |
| 8. | Nut—Air Compressor Tite-Flex Tube | 1211 | 24. | Elbow Assembly—Check Valve Tube | 1211 | 38. | Tee—Stop Light Switch | 1211 |
| 9. | Connector Assembly—Air Compressor Governor Tube | 1211 | 25. | Valve—Double Check | 1213 | 39. | Connector Assembly—Check Valve Tube | 1211 |
| 10. | Tee Assembly—Governor | 1211 | 26. | Tee Assembly—Foot Valve Tube to Double Check Valve | 1211 | 40. | Elbow Assembly—Stop Light Switch | 1211 |
| 11. | Governor | 1213 | 27. | Valve—Tire Inflation | 1213 | 41. | Switch—Stop Light | 0606 |
| 12. | Connector Assembly—Air Gauge | 1211 | 28. | Hose Tire—Trailer Connector | 2306 | 42. | Tee Assembly—Relay Valve to Foot Valve Tube | 1211 |
| 13. | Gauge—Air | 0605 | 29. | Cock—Trailer Connection Shut-off | 1211 | 43. | Connector Assembly—Air Reservoir Outlet | 1211 |
| 14. | Connector Assembly—Foot Valve | 1211 | 30. | Hose—Brake Chamber (Rear) | 1211 | | | |
| 15. | Valve Foot | 1213 | | | | | | |
| 16. | Tee—Foot Valve to Reservoir Tube | 1211 | | | | | | |

| | | | |
|-------|------|--|---|
| 63 AX | 1091 | Elbow Assembly, Front Wheel Flexible House (1/4") | 2 |
| 52 AX | 16 | Sleeve, Front Wheel Flexible Hose Connection (.386 x 15/32" x 7/32") | 2 |
| 63 AX | 1006 | Nut, Front Wheel Flexible Hose Connection (17/32"-24) | 2 |
| 63 AX | 351 | Elbow, Rear Wheel Flexible Hose Connection (1/4") | 2 |
| 63 AX | 102 | Nipple, Rear Wheel Flexible Hose Connection (1/4") | 2 |
| 63 AX | 1085 | Connection Assembly, Relay Valve Tube (1/2") | 1 |
| 63 AX | 355 | Nut, Relay Valve Tube (1/2") | 1 |
| 52 AX | 17 | Sleeve, Relay Valve Tube (.507 x 5/8" x .377) | 1 |
| 63 AX | 1145 | Tee Assembly, Relay Valve Tube (1/4") | 1 |
| 63 AX | 1005 | Nut, Stop Light Switch (7/16"-24) | 1 |
| 52 AX | 15 | Sleeve, Stop Light Switch (.258 x .344 x 1/4") | 1 |
| 63 AX | 1091 | Elbow Assembly, Relay Valve to Foot Valve Tube (1/4") | 1 |
| 63 AX | 1006 | Nut, Relay Valve to Foot Valve Tube (17/32"-24) | 1 |
| 52 AX | 16 | Sleeve, Relay Valve to Foot Valve Tube (.386 x 15/32" x 9/32") | 1 |

| Group No. | Part No. | Description | No. Req'd |
|-----------|----------|-------------|-----------|
|-----------|----------|-------------|-----------|

1211 - POWER BRAKE LINES & FITTINGS (Cont'd)

AIR BRAKES - TRACTOR MODELS (Cont'd)

| | | | |
|--------|-------|---|----|
| 63 AX | 1090 | Elbow Assembly, Stop Light Switch (1/8") | 1 |
| 63 AX | 351 | Elbow, Front Brake Chamber & Frame Connection (1/4") | 4 |
| 63 AX | 102 | Nipple, Front Brake Chamber & Frame Connection (1/4") | 4 |
| 63 AX | 1083 | Connector Assembly, Quick Release Valve to Frame Fitting Tube (1/4" x 2-1/8") | 2 |
| 63 AX | 1006 | Nut, Quick Release Valve to Frame Fitting Tube Connector (17/32"-24) | 2 |
| 52 AX | 16 | Sleeve, Quick Release Valve to Frame Fitting Tube Connector (.386") | 2 |
| 63 AX | 1092 | Elbow Assembly, Quick Release Valve to Foot Valve Tube (3/8") | 1 |
| 63 AX | 1006 | Nut, Quick Release Valve to Foot Valve Tube Elbow (17/32"-24) | 1 |
| 52 AX | 16 | Sleeve, Quick Release Valve to Foot Valve Tube Elbow (.386") | 1 |
| 63 AX | 355 | Nut, Air Compressor Titeflex Tube (1/2") | 1 |
| 52 AX | 5 | Sleeve, Air Compressor Titeflex Tube Nut (.515") | 1 |
| 36 QE | 111 | Connector Assembly, Air Reservoir Outlet | 1 |
| 63 AX | 355 | Nut, Air Reservoir Outlet Connection (1/2") | 1 |
| 52 AX | 17 | Sleeve, Air Reservoir Outlet Connection (.507") | 1 |
| 63 AX | 1084 | Connector Assembly, Foot Valve (3/8") | 2 |
| 63 AX | 1006 | Nut, Foot Valve Connector (17/32"-24) | 2 |
| 52 AX | 16 | Sleeve, Foot Valve Connector (.386") | 2 |
| 63 AX | 1165 | Elbow Assembly, Foot Valve to Reservoir Tube (EHUT) (45°) | 1 |
| 63 AX | 1145 | Tee Assembly, Relay Valve to Foot Valve Tube (1/4") | 1 |
| 63 AX | 1005 | Nut, Relay Valve to Foot Valve Tube (7/16"-24) | 1 |
| 52 AX | 15 | Sleeve, Relay Valve to Foot Valve Tube (.258") | 1 |
| 63 AX | 1005 | Nut, Relay Valve to Stop Light Switch Tube (7/16"-24) | 1 |
| 52 AX | 15 | Sleeve, Relay Valve to Stop Light Switch Tube (.258 x .344 x 1/4") | 1 |
| 31 QE | 25-P6 | Hose, Rear Brake Chamber | 2 |
| 63 AX | 62 | Nipple, Air Reservoir Safety Valve (3/8") | 1 |
| 83 AX | 247 | Clamp, Air Brake Tubing (1/2") | 3 |
| 83 AX | 21 | Clamp, Air Brake Tubing (5/8") | 3 |
| 35 AX | 190 | Washer, Front Brake Hose Frame Connection (25/32") | 2 |
| 21 AX | 56 | Nut, Front Brake Hose Frame Connection (3/4"-16) | 2 |
| 63 AX | 418 | Fitting, Front Brake Hose Frame Connection (3/4"-16) | 2 |
| 31 QEA | 25-P2 | Hose Assembly, Front Wheel Flexible (EHT) | 2 |
| 31 QEA | 25-P1 | Hose Assembly, Front Wheel Flexible (EHUT) | 2 |
| 83 AX | 31 | Clamp, Air Brake Tubing (3/8") | 5 |
| 83 AX | 88 | Clamp, Air Brake Tubing (5/8") | 4 |
| 83 AX | 114 | Clamp, Air Brake Tubing (1/2") | 6 |
| 83 AX | 118 | Clamp, Air Brake Tubing (1/2") | 2 |
| 8 AX | 16 | Screw, Air Brake Tubing Clamp (#10-24 x 3/4") | 17 |
| 53 AX | 1 | Nut, Air Brake Tubing Clamp Screw (#10-24) | 17 |
| 36 AX | 14 | Washer, Air Brake Tubing Clamp Screw (0.200) | 17 |
| 63 AX | 580 | Reducer, Air Reservoir Safety Valve (3/8") | 1 |
| 10 AB | 11571 | Cock, Air Reservoir Drain | 1 |
| 63 AX | 132 | Elbow, Air Reservoir Safety Valve (3/8") | 1 |
| 63 AX | 1085 | Connector Assembly, Air Reservoir Inlet Tube (3/8" x 2-1/4") | 1 |
| 63 AX | 355 | Nut, Air Reservoir Tube (1/2") | 1 |
| 52 AX | 17 | Sleeve, Air Reservoir Tube (.507 x 5/8 x .377) | 2 |

| Group No. | Part No. | Description | No. Req'd |
|---|----------|--|-----------|
| 1211 - POWER BRAKE LINES & FITTINGS (Cont'd) | | | |
| AIR BRAKES - TRACTOR MODELS (Cont'd) | | | |
| 63 AX | 1005 | Nut, Air Reservoir Tube (7/16"-24) | 2 |
| 52 AX | 15 | Sleeve, Air Reservoir Tube (.258x.344x1/4") | 2 |
| 63 AX | 1090 | Elbow Assembly, Air Reservoir Governor Tube (1/8") | 1 |
| 63 AX | 80 | Reducer, Air Reservoir Governor Tube (3/8"x1/8") | 1 |
| 10 AC | 13816 | Plate, Service Line Indicating | 1 |
| 10 AC | 13817 | Plate, Emergency Line Indicating | 1 |
| 59 QE | 11 | Coupling, Dummy | 2 |
| 47 RU | 195 | Block, Dummy Coupling | 2 |
| 11 AX | 1 | Screw, Dummy Coupling Block (EHT Chassis) (5/16"-18 x 1-1/2") | 4 |
| 11 AX | 45 | Screw, Dummy Coupling Block (EHUT Chassis) (3/8"-16) | 4 |
| 22 AX | 1 | Nut, Dummy Coupling Block Screw (EHT Chassis) (5/16-18) | 4 |
| 36 AX | 3 | Washer, Dummy Coupling Block Screw (EHUT Chassis) (3/8") | 4 |
| 37 AX | 1 | Washer, Dummy Coupling lock Screw (EHT Chassis) (21/64") | 4 |
| 10 AC | 13822 | Spring, Trailer Connection Hose | 2 |
| 83 AX | 13 | Clamp, Trailer Connection Hose (1-1/8") | 2 |
| 61 AX | 62 | Cock, Trailer Connection Shut-Off (1/2") | 2 |
| 63 AX | 1083 | Connection Assembly, Air Line at Hand Control Valve (1/4" x 2-1/8") | 2 |
| 52 AX | 16 | Sleeve, Air Line at Hand Control Valve (.386 x 15/32" x 9/32") | 2 |
| 63 AX | 1006 | Nut, Air Line at Hand Control Valve (17/32"-24) | 2 |
| 63 AX | 1092 | Elbow Assembly, Check Valve (3/8") | 1 |
| 63 AX | 1084 | Connection Assembly, Check Valve (3/8") | 2 |
| 52 AX | 16 | Sleeve, Check Valve Connection (.386x15/32"x9/32") | 3 |
| 63 AX | 1006 | Nut, Check Valve Connection (17/32"-24) | 3 |
| 52 AX | 16 | Sleeve, Service Line (.386 x 15/32" x 9/32") | 1 |
| 63 AX | 1006 | Nut, Service Line (17/32"-24). | 1 |
| 63 AX | 1105 | Tee Assembly, Relay Valve to Check Valve Line (3/8" x 1-3/4" x 5/8") | 1 |
| 52 AX | 16 | Sleeve, Relay Valve to Check Valve Line (.386 x 15/32" x 9/32") | 3 |
| 63 AX | 1006 | Nut, Relay Valve to Check Valve Line (17/32"-24) | 3 |
| 52 AX | 16 | Sleeve, Emergency Line (.386 x 15/32" x 9/32") | 1 |
| 63 AX | 1006 | Nut, Emergency Line (17/32"-24) | 1 |
| 35 AX | 191 | Washer, Air Brake Connection (1-1/32") | 2 |
| 20 AX | 16 | Nut, Air Brake Connection (1"-14) | 2 |
| 63 AX | 417 | Fitting, Air Brake Connection (1"-14) | 2 |
| 59 QE | 12A | Coupling, Trailer Connection Hose | 2 |
| 10 AC | 103818A | Hose, Trailer Connection | 2 |

TUBING & LOOM

Listed below will be found the master part numbers covering the various Tubing and Loom. Tubing and Loom should be ordered in 100 foot rolls when possible and cut as required. When separate Tubing and Loom are needed for service the part numbers may be obtained by measuring the length of tubing or loom to be replaced. Lengths run from one inch and up, graduating in one inch intervals. Part Numbers run from one and up and also represent the Length: that is 244 AX 5 represents a 1/4" tube which is 5" Long.

AIR BRAKE TUBING

| | |
|--------|---------------|
| 244 AX | Tubing (1/4") |
| 245 AX | Tubing (3/8") |
| 246 AX | Tubing (1/2") |

| Group No. | Part No. | Description | No. Req'd | |
|-----------|----------|-------------|-----------|--|
|-----------|----------|-------------|-----------|--|

1211 - POWER BRAKE LINES & FITTINGS (Cont'd)

AIR BRAKE LOOM

| | | |
|--------|--|----------------------|
| 113 AX | | Loom (For 1/4" Tube) |
| 115 AX | | Loom (For 3/8" Tube) |
| 116 AX | | Loom (For 1/2" Tube) |

Column #1 - Chassis EH1S2637-3072 and EH1D3869-3943

Column #2 - Chassis EHUID1425-1494

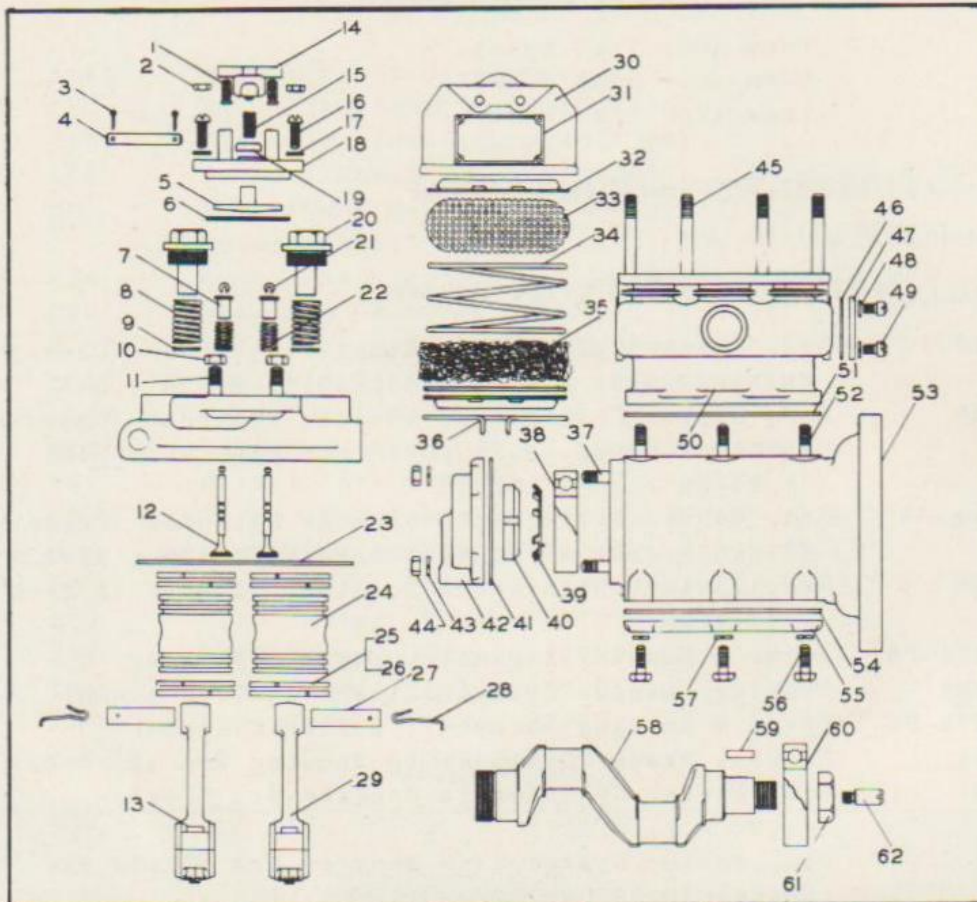
1212 - BRAKE PULL RODS, CABLES & CROSS SHAFTS

| | | | No. Req'd. | |
|--------|--------|---|------------|--------|
| | | | Col. 1 | Col. 2 |
| 94 AX | 53 | Rod, Master Cylinder to Booster Cylinder (Chassis EH1S2637-2831 & EH1S2865-3039) (1/2"-20 x 31") | 1 | - |
| 94 AX | 68 | Rod, Master Cylinder to Booster Cylinder (Chassis EH1D3869-3888, EH1S3040-3072 & EH1D3907-3943) (1/2"-20 x 38-1/2") | 1 | - |
| 94 AX | 58 | Rod, Master Cylinder to Booster Cylinder (Chassis EH1S2833-2864 & EH1D3889-3906) (1/2"-20 x 33-1/2") | 1 | - |
| 94 AX | 26 | Rod, Master Cylinder to Booster Cylinder (1/2"-20 x 17-1/2") | - | 1 |
| 21 RUA | 171-P8 | Lever & Bushing Assembly, Master Cylinder | 1 | - |
| 80 AX | 237 | Bushing, Master Cylinder Lever (.077 x 1.005) | 1 | 1 |
| 21 RUA | 172-P3 | Lever & Bushing Assembly, Master Cylinder | - | 1 |
| 84 AX | 24 | Clevis, Master Cylinder to Booster Rod (1/2"-20) | 2 | 2 |
| 33 AX | 91 | Pin, Master Cylinder to Booster Rod Clevis (.496 x 1-11/32") | 2 | 2 |
| 29 AX | 3 | Pin, Master Cylinder to Booster Rod Clevis Pin Cotter (3/32" x 1") | 2 | 2 |
| 20 AX | 5 | Nut, Master Cylinder to Booster Rod (1/2"-20) | 2 | 2 |
| 84 AX | 134 | Clevis, Booster Valve to Pedal (1/2"-20) | 1 | - |
| 33 AX | 46 | Pin, Booster Valve to Pedal Clevis (.496x1-1/2") | 1 | 1 |
| 29 AX | 12 | Pin, Booster Valve to Pedal Clevis Cotter (1/8"x1") | 1 | - |
| 20 AX | 5 | Nut, Booster Valve to Pedal Clevis (1/2"-20) | 2 | 3 |
| 84 AX | 184 | Clevis, Master Cylinder (9/16"-18) | 1 | 1 |
| 33 AX | 54 | Pin, Master Cylinder Clevis (.621 x 1-21/32") | 1 | 1 |
| 29 AX | 12 | Pin, Master Cylinder Clevis Pin Cotter (1/8"x1") | 1 | 1 |
| 20 AX | 6 | Nut, Master Cylinder & Clevis Adjusting (9/16"-18) | 1 | 1 |
| 84 AX | 134 | Clevis, Booster Valve (1/2"-20) | 1 | - |
| 84 AX | 36 | Clevis, Booster Valve (1/2"-20) | - | 1 |
| 33 AX | 91 | Pin, Booster Valve Clevis (.496 x 1-11/32") | 1 | 1 |
| 29 AX | 3 | Pin, Booster Valve Clevis Pin Cotter (3/32"x1") | 1 | 1 |
| 20 AX | 5 | Nut, Booster Valve & Clevis Adjusting (1/2"-20) | 1 | 1 |
| 37 MW | 165-P1 | Rod, Emergency Brake | 1 | - |
| 20 AX | 3 | Nut, Emergency Brake Rod (3/8"-24) | 1 | - |
| 29 AX | 19 | Pin, Emergency Brake Rod Cotter (1/4" x 2") | 1 | - |
| 94 AX | 33 | Rod, Booster Valve to Brake Pedal (1/2"-20x21") | - | 1 |
| 84 AX | 24 | Clevis, Booster Valve to Brake Pedal Rod (1/2"-20) | - | 1 |
| 29 AX | 43 | Pin, Booster Valve to Brake Pedal Rod Clevis Pin Cotter (3/32" x 3/4") | - | 1 |
| 10 BJ | 116 | Coupling, Booster Valve to Brake Pedal Rod | - | 1 |

1213 - AIR COMPRESSOR, CONTROLS & CYLINDER

| | | | |
|--------|-----|--|---|
| 303 GB | 414 | Compressor (Bendix Westinghouse #220058) | 1 |
|--------|-----|--|---|

1213 - AIR COMPRESSOR, CONTROLS & CYLINDER (Cont'd)



| Ref. No. | PART NAME | Govt. Group | Ref. No. | PART NAME | Govt. Group | Ref. No. | PART NAME | Govt. Group |
|----------|------------------------|-------------|----------|----------------------|-------------|----------|------------------------|-------------|
| 1. | Screw—Adjusting | 1213 | 22. | Spring—Unloader | 1213 | 42. | Cover—Rear End | 1213 |
| 2. | Nut—Lock | 1213 | 23. | Gasket—Cylinder Head | 1213 | 43. | Washer—Lock | 1213 |
| 3. | Pin—Cotter | 1213 | 24. | Piston | 1213 | 44. | Nut—Hex | 1213 |
| 4. | Pin—Lever | 1213 | 25. | Ring—Compression | 1213 | 45. | Stud | 1213 |
| 5. | Follower—Diaphragm | 1213 | 26. | Ring—Oil | 1213 | 46. | Gasket | 1213 |
| 6. | Diaphragm—Unloader | 1213 | 27. | Pin—Wrist | 1213 | 47. | Cover—Chamber | 1213 |
| 7. | Stop—Unloader Valve | 1213 | 28. | Wire—Lock | 1213 | 48. | Lockwasher | 1213 |
| 8. | Spring—Discharge Valve | 1213 | 29. | Rod—Connecting | 1213 | 49. | Screw—Machine | 1213 |
| 9. | Valve—Discharge | 1213 | 30. | Body—Strainer | 1213 | 50. | Block—Cylinder | 1213 |
| 10. | Nut—Hex | 1213 | 31. | Plate—Instruction | 1213 | 51. | Gasket—Cylinder Block | 1213 |
| 11. | Stud | 1213 | 32. | Plate—Baffle | 1213 | 52. | Stud | 1213 |
| 12. | Stem—Unloader Valve | 1213 | 33. | Plate—Strainer | 1213 | 53. | Crankcase | 1213 |
| 13. | Bolt—Connecting Rod | 1213 | 34. | Spring | 1213 | 54. | Gasket—Crankcase Cover | 1213 |
| 14. | Lever—Unloader | 1213 | 35. | Hair | 1213 | 55. | Cover—Base | 1213 |
| 15. | Spring—Unloader Lever | 1213 | 36. | Ring—Retaining | 1213 | 56. | Bolt—Hex Head | 1213 |
| 16. | Screw—Machine | 1213 | 37. | Stud | 1213 | 57. | Lockwasher | 1213 |
| 17. | Lockwasher | 1213 | 38. | Bearing—Ball | 1213 | 58. | Crankshaft | 1213 |
| 18. | Cover—Box | 1213 | 39. | Lockwasher | 1213 | 59. | Key—Crankshaft | 1213 |
| 19. | Cover—Dust | 1213 | 40. | Nut—Lock | 1213 | 60. | Bearing—Ball | 1213 |
| 20. | Nut—Cap | 1213 | 41. | Gasket—End Cover | 1213 | 61. | Nut—Crankshaft | 1213 |
| 21. | Ring—Retainer | 1213 | | | | 62. | Plug—Crankshaft Screw | 1213 |

COMPONENT PARTS OF COMPRESSOR - 303 GB 414

BENDIX WESTINGHOUSE #220058

| | | |
|-----------|---|---|
| 212285 | Crankshaft, Compressor | 1 |
| 276 GC 11 | Plug, Compressor Crankshaft Screw (Bendix Westinghouse #211829) | 1 |
| 202895 | Lockwasher, Compressor Crankshaft Bearing Lock Nut | 1 |
| 202894 | Nut, Compressor Crankshaft Bearing Lock | 1 |

| Group No. | Part No. | Description | No. Req'd |
|---|-----------|---|-----------|
| 1213 - AIR COMPRESSOR, CONTROLS & CYLINDER (Cont'd) | | | |
| COMPONENT PARTS OF COMPRESSOR - 303 GB 414 (Cont'd) | | | |
| | 203028 | Ring, Compressor Crankshaft Oil | 1 |
| | 20 AX 2 | Nut, Compressor Cylinder Head Stud (Bendix Westinghouse #203003) | 4 |
| | 20 AX 2 | Nut, Rear End Cover Stud (Bendix Westinghouse #203003) | 4 |
| | 20 AX 2 | Nut, Air Outlet Flange Stud (Bendix Westinghouse #203003) | 2 |
| | 20 AX 2 | Nut, Cylinder Body Stud (Bendix Westinghouse #203003) | 2 |
| | 203138 | Stud, Compressor Rear End Cover | 4 |
| | 202982 | Lockwasher, Compressor Rear End Cover Stud | 4 |
| | 202983 | Lockwasher, Compressor Crankcase Stud | 6 |
| | 202998 | Stud, Compressor Crankcase | 6 |
| | 36 AX 1 | Lockwasher, Compressor Base Cover Bolt (Bendix Westinghouse #202981) | 6 |
| | 36 AX 1 | Lockwasher, Air Cleaner Hole Cover Screw (Bendix Westinghouse #202981) | 4 |
| | 36 AX 1 | Lockwasher, Unloader Cover Screw (Bendix Westinghouse #202981) | 5 |
| | 544 GB 11 | Gasket, Compressor Air Cleaner Hole Cover (Bendix Westinghouse #203242) | 2 |
| | 203243 | Cover, Compressor Air Cleaner Hole | 2 |
| | 203376 | Screw, Compressor Air Cleaner Hole Cover | 4 |
| | 217490 | Head Complete, Compressor Cylinder | 1 |
| | 217491 | Body Complete, Compressor Cylinder Head | 1 |
| | 212340 | Body, Compressor Cylinder Head | 1 |
| | 203101 | Pin, Compressor Unloader Lever | 1 |
| | 203016 | Pin, Air Compressor Connecting Rod Bolt Cotter | 4 |
| | 203016 | Pin, Unloader Lever Pin Cotter | 2 |
| | 203107 | Stop, Compressor Unloader Valve | 2 |
| | 202846 | Screw, Compressor Unloader Lever Adjusting | 2 |
| | 203104 | Key, Compressor Unloader Valve | 2 |
| | 203045 | Bushing, Air Compressor Unloader Valve | 2 |
| | 212155 | Valve, Compressor Unloader | 2 |
| | 203000 | Stud, Compressor Cylinder Head | 4 |
| | 203110 | Nut, Compressor Discharge Valve Cap | 2 |
| | 203111 | Spring, Discharge Valve | 2 |
| | 203102 | Valve, Compressor Discharge | 2 |
| | 203462 | Gasket, Compressor Cylinder Head | 1 |
| | 203449 | Pin, Compressor Connecting Rod Wrist | 2 |
| | 202990 | Wire, Compressor Connecting Rod Wrist Pin Bushing Lock | 2 |
| | 202988 | Bushing, Compressor Connecting Rod Wrist Pin | 2 |
| | 216248 | Rod, Compressor Connecting | 2 |
| | 203004 | Nut, Compressor Crankcase Stud | 6 |
| | 202898 | Gasket, Compressor Cylinder Block | 1 |
| | 203395 | Nut, Compressor Crankshaft | 1 |
| | 46 AX 14 | Bearing, Compressor Crankshaft (SAE207) | 2 |
| | 215175 | Crankcase, Compressor | 1 |
| | 202919 | Body, Compressor Crankcase | 1 |
| | 202897 | Gasket, Compressor Crankcase Cover | 1 |
| | 202893 | Bolt, Compressor Connecting Rod | 4 |
| | 202887 | Cover, Compressor Base | 1 |

| Group No. | Part No. | Description | No. Req'd |
|-----------|----------|-------------|-----------|
|-----------|----------|-------------|-----------|

1213 - AIR COMPRESSOR, CONTROLS & CYLINDER (Cont'd)

COMPONENT PARTS OF COMPRESSOR - 303 GB 414 (Cont'd)

| | | | |
|-----------|--|--|---|
| 203021 | | Nut, Compressor Connecting Rod Bolt | 4 |
| 203366 | | Bolt, Compressor Base Cover | 6 |
| 202899 | | Gasket, Compressor Rear End Cover | 1 |
| 202921 | | Cover, Compressor Rear End | 1 |
| 56 AX 1 | | Gasket, Compressor Air Outlet Flange | 1 |
| 16 AX 399 | | Stud, Compressor Air Outlet Flange (Bendix Westinghouse #202999) | 2 |
| 16 AX 399 | | Stud, Cylinder Body (Bendix Westinghouse #202999) | 2 |
| 55 AX 55 | | Flange, Compressor Air Outlet | 1 |
| 203112 | | Spring, Compressor Unloader Valve | 2 |
| 202961 | | Nut, Compressor Unloader Lever Adjusting Screw Lock | 2 |
| 203113 | | Spring, Compressor Unloader Lever | 1 |
| 215210 | | Lever, Compressor Unloader | 1 |
| 203106 | | Cap, Compressor Unloader Cover Dust | 1 |
| 220307 | | Follower, Compressor Unloader Diaphragm | 1 |
| 203114 | | Screw, Compressor Unloader Cover | 5 |
| 203115 | | Cover, Compressor Unloader | 1 |
| 203109 | | Diaphragm, Compressor Unloader | 2 |
| 215453 | | Cylinder, Compressor | 1 |
| 203448 | | Body, Compressor Cylinder | 1 |
| 203457 | | Piston, Compressor | 2 |
| 203464 | | Ring, Compressor Piston Compression | 4 |
| 203465 | | Ring, Compressor Piston Oil | 4 |
| 204782 | | Plug, Compressor Cylinder Head Body Pipe (Bottom) | 1 |
| 202927 | | Key, Compressor Crankshaft | 1 |
| 203679 | | Plug, Compressor Cylinder Head Body Pipe (Side) | 1 |
| | | * * * | |
| 541 GB 13 | | Gasket, Compressor & Housing | 1 |
| 6 AX 327 | | Screw, Compressor Flange (1/2"-13x1-3/8") | 3 |
| 37 AX 83 | | Washer, Compressor Flange Screw (33/64") | 3 |
| 37 AX 6 | | Washer, Compressor Flange Screw (33/64") | 3 |
| 6 AB 117 | | Wire, Compressor Flange Screw Lock | 1 |
| 320 GB 11 | | Coupling, Compressor | 1 |
| 61 AX 54 | | Plug, Compressor Drain (3/8") | 1 |
| 279 GB 21 | | Cleaner, Compressor Air (Bendix Westinghouse #220070) | 1 |

COMPONENT PARTS OF COMPRESSOR AIR CLEANER - 279 GB 21
BENDIX WESTINGHOUSE #220070

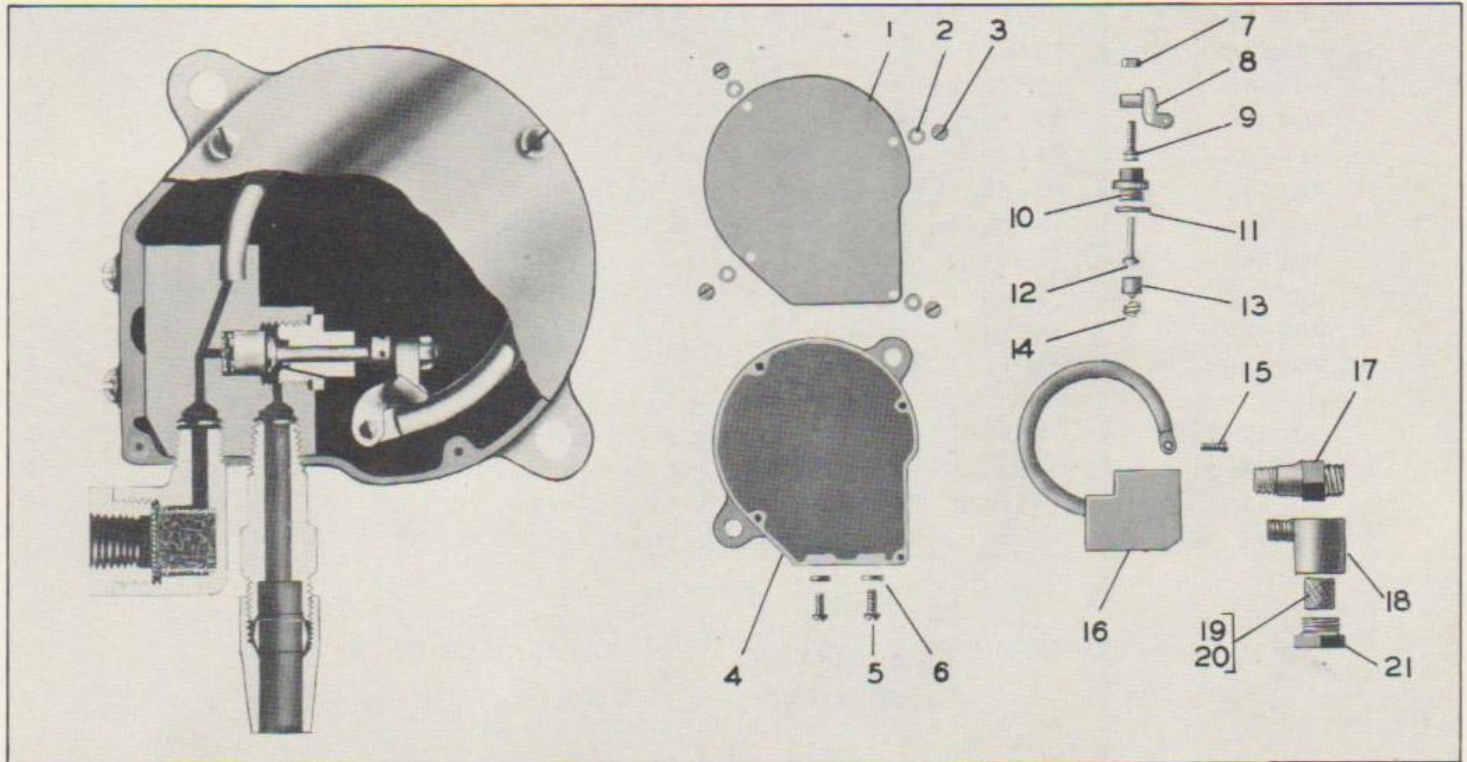
| | | | |
|-----------|--|--|---|
| 204019 | | Body, Compressor Air Cleaner | 1 |
| 215207 | | Baffle, Compressor Air Cleaner | 2 |
| 200816 | | Screen, Compressor Air Cleaner | 2 |
| 203698 | | Spring, Compressor Air Cleaner | 1 |
| 211035 | | Ring, Compressor Air Cleaner Baffle Retaining | 1 |
| 146 SB 11 | | Hair, Compressor Air Cleaner Curled | 1 |
| 1 CE 121 | | Gasket, Compressor Air Cleaner (Bendix Westinghouse #203481) | 1 |
| 4 AX 158 | | Screw, Compressor Air Cleaner (1/4"-20x2-1/4") | 2 |
| 36 AX 1 | | Lockwasher, Compressor Air Cleaner Screw (1/4") | 2 |
| 22 GB 22A | | Adapter, Compressor Air Cleaner | 1 |

| Group No. | Part No. | Description | No. Req'd |
|-----------|----------|-------------|-----------|
|-----------|----------|-------------|-----------|

1213 - AIR COMPRESSOR, CONTROLS & CYLINDER (Cont'd)

COMPONENT PARTS OF COMPRESSOR AIR CLEANER - 279 GB 21 (Cont'd)

| | | |
|-----------|--|---|
| 544 GB 11 | Gasket, Compressor Air Cleaner Adapter (Bendix Westinghouse #203242) | 1 |
| 4 AX 257 | Screw, Compressor Air Cleaner Adapter (1/4"-20 x 1-3/4") | 2 |
| 36 AX 1 | Lockwasher, Compressor Air Cleaner Adapter Screw (1/4") | 2 |



| Ref. No. | PART NAME | Govt. Group | Ref. No. | PART NAME | Govt. Group | Ref. No. | PART NAME | Govt. Group |
|----------|---------------------|-------------|----------|-------------------------|-------------|----------|---------------|-------------|
| 1. | Cover | 1213 | 8. | Bracket—Adjusting Screw | 1213 | 15. | Screw—Machine | 1213 |
| 2. | Lockwasher | 1213 | 9. | Screw—Adjusting | 1213 | 16. | Body and Tube | 1213 |
| 3. | Screw—Machine | 1213 | 10. | Guide—Valve | 1213 | 17. | Fitting—Upper | 1213 |
| 4. | Case | 1213 | 11. | Shim | 1213 | 18. | Strainer | 1213 |
| 5. | Screw—Machine | 1213 | 12. | Valve—Upper | 1213 | 19. | Body—Strainer | 1213 |
| 6. | Lockwasher | 1213 | 13. | Valve—Lower | 1213 | 20. | Cup—Strainer | 1213 |
| 7. | Nut—Adjusting Screw | 1213 | 14. | Spring | 1213 | 21. | Nut—Strainer | 1213 |

| | | |
|-----------|---------------------------------|---|
| 10 BK 294 | Governor (Westinghouse #205114) | 1 |
|-----------|---------------------------------|---|

COMPONENT PARTS OF GOVERNOR - 10 BK 294
WESTINGHOUSE #205114

| | | |
|--------|-------------------|-------|
| 205469 | Governor Assembly | 1 |
| 205470 | Body Assembly | 1 |
| 205471 | Body & Tube | 1 |
| 215230 | Fitting (Upper) | 1 |
| 205115 | Strainer | 1 |
| 201780 | Body, Strainer | 1 |
| 201518 | Valve (Lower) | 1 |
| 201737 | Valve (Upper) | 1 |
| 201552 | Shims | AsReq |
| 201519 | Guide, Valve | 1 |

| Group No. | Part No. | Description | No. Req'd |
|-----------|----------|-------------|-----------|
|-----------|----------|-------------|-----------|

1213 - AIR COMPRESSOR, CONTROLS & CYLINDER (Cont'd)

COMPONENT PARTS OF GOVERNOR - 10 BK 294 (Cont'd)

WESTINGHOUSE #205114

| | | | |
|----------|--|---|---|
| 217221 | | Valve Assembly (Upper) | 1 |
| 201521 | | Screw, Adjusting | 1 |
| 201520 | | Bracket, Adjusting Screw | 1 |
| 201564 | | Nut, Adjusting Screw | 1 |
| 201523 | | Cover | 1 |
| 201556 | | Lockwasher | 4 |
| 204875 | | Screw, Machine | 4 |
| 210563 | | Screw, Machine | 1 |
| 201543 | | Lockwasher | 2 |
| 204874 | | Screw, Machine | 2 |
| 201769 | | Spring | 1 |
| 201552 | | Case | 1 |
| 200099 | | Cup, Strainer | 1 |
| 202620 | | Nut, Strainer | 1 |
| | | * * * | |
| 1 AX 126 | | Screw, Governor Mounting (1/4"-28 x 1 ⁷ / ₈) | 2 |
| 20 AX 1 | | Nut, Governor Mounting Screw (1/4"-28) | 2 |
| 36 AX 1 | | Washer, Governor Mounting Screw (1/4") | 2 |
| 20 QE 36 | | Valve, Foot (Westinghouse #220115) | 1 |

COMPONENT PARTS OF FOOT VALVE - 20 QE 36

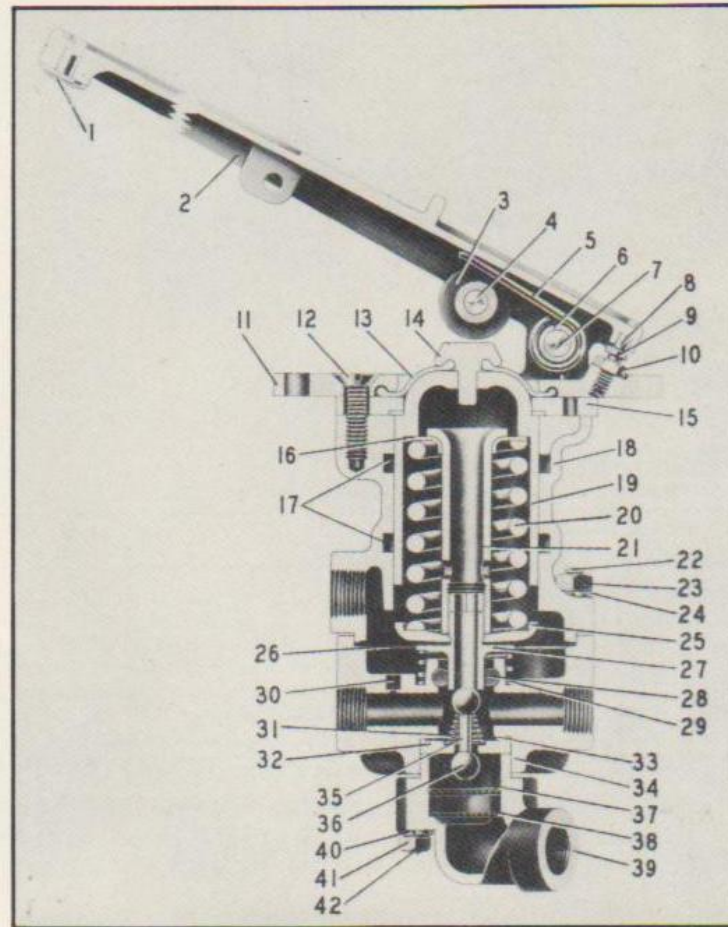
Westinghouse #220115

| | | | |
|--------|--|-------------------------------|--------|
| 216375 | | Treadle | 1 |
| 210191 | | Button, Treadle Stop | 1 |
| 210190 | | Pin, Treadle Stop | 1 |
| 210195 | | Spring, Treadle | 1 |
| 210196 | | Pin, Treadle Lever | 1 |
| 210192 | | Bushing, Treadle Lever Pin | 1 |
| 211026 | | Roller, Treadle Bearing | 1 |
| 210522 | | Pin, Treadle Bearing Roller | 1 |
| 202846 | | Screw, Treadle Adjust | 1 |
| 202961 | | Locknut, Treadle Adjust Screw | 1 |
| 210209 | | Spring | 1 |
| 210075 | | Guide Spring | 1 |
| 216378 | | Seat, Spring | 1 |
| 210076 | | Shim, Spring | AsReq. |
| 210059 | | Cage, Spring | 1 |
| 210276 | | Button, Spring Cage | 1 |
| 210061 | | Boot, Spring Cage | 1 |
| 211337 | | Plate, Mounting | 1 |
| 210064 | | Screw, Mounting Plate | 1 |
| 210187 | | Plate, Filler | 1 |
| 210056 | | Cover | 1 |
| 210057 | | Felts, Oiler | 2 |
| 210058 | | Bolt | 3 |
| 203145 | | Nut, Bolt | 3 |

1213 - AIR COMPRESSOR, CONTROLS & CYLINDER (Cont'd)

COMPONENT PARTS OF FOOT VALVE - 20 QE 36 (Cont'd)

Westinghouse #220115



| Ref. No. | PART NAME | Govt. Group | Ref. No. | PART NAME | Govt. Group | Ref. No. | PART NAME | Govt. Group |
|----------|----------------------------------|-------------|----------|---------------------|-------------|----------|--------------------------|-------------|
| 1. | Button—Treadle Stop | 1213 | 14. | Button—Spring Cage | 1213 | 28. | Grommet | 1213 |
| 2. | Treadle | 1213 | 15. | Plate—Filler | 1213 | 29. | Spring | 1213 |
| 3. | Roller—Treadle Bearing | 1213 | 16. | Guide—Spring | 1213 | 30. | Plug—Choke | 1213 |
| 4. | Pin—Treadle Bearing Roller | 1213 | 17. | Felts—Oilier | 1213 | 31. | Spring—Valve | 1213 |
| 5. | Spring—Treadle | 1213 | 18. | Cover | 1213 | 32. | Seat—Inlet Valve | 1213 |
| 6. | Bushing—Treadle Lever Pin | 1213 | 19. | Cage—Spring | 1213 | 33. | Shims—Inlet Valve Seat | 1213 |
| 7. | Pin—Treadle Lever | 1213 | 20. | Spring | 1213 | 34. | Body | 1213 |
| 8. | Pin—Treadle Stop | 1213 | 21. | Tube—Exhaust Valve | 1213 | 35. | Stem—Valve | 1213 |
| 9. | Screw—Treadle Adjusting | 1213 | 22. | Bolt | 1213 | 36. | Ball—Steel | 1213 |
| 10. | Nut—Treadle Adjusting Screw Lock | 1213 | 23. | Nut—Bolt | 1213 | 37. | Ring—Retainer | 1213 |
| 11. | Plate—Mounting | 1213 | 24. | Lockwasher—Bolt Nut | 1213 | 38. | Plate—Screen | 1213 |
| 12. | Screw—Mounting Plate | 1213 | 25. | Seat—Spring | 1213 | 39. | Body—Inlet Valve | 1213 |
| 13. | Boot—Spring Cage | 1213 | 26. | Diaphragm | 1213 | 40. | Lockwasher—Body Stud Nut | 1213 |
| | | | 27. | Seat—Exhaust Valve | 1213 | 41. | Nut—Body Stud | 1213 |
| | | | | | | 42. | Stud—Body | 1213 |

| | | |
|--------|--------------------------|--------|
| 203574 | Washer, Bolt Nut Lock | 3 |
| B-104 | Cup, Gits Oil | 1 |
| 210155 | Diaphragm | 1 |
| 216378 | Diaphragm Assembly | 1 |
| 216281 | Valve, Inlet - Exhaust | 1 |
| 210069 | Seat, Inlet Valve | 1 |
| 204541 | Shims, Inlet Valve Seat | AsReq. |
| 204542 | Shims, Inlet Valve Seat | AsReq. |
| 210180 | Gasket, Inlet Valve Seat | 1 |
| 212362 | Body, Inlet Valve | 1 |

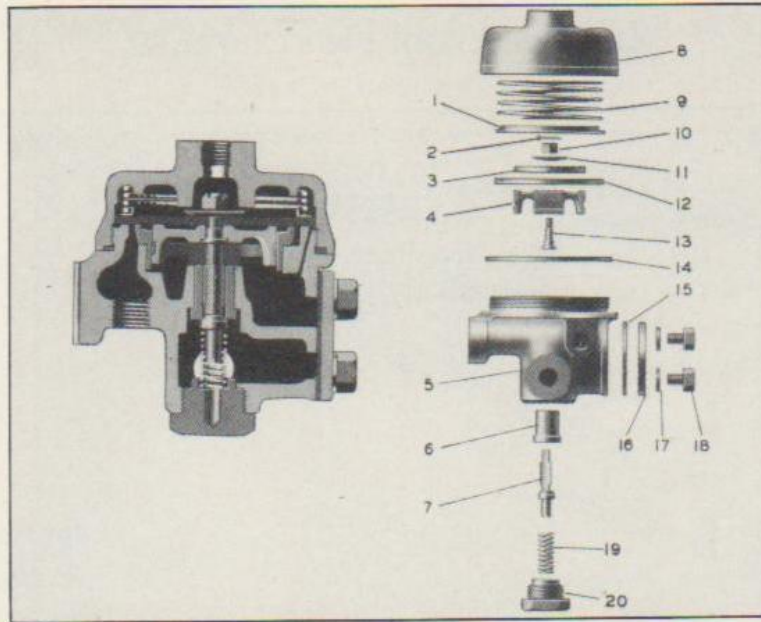
1213 - AIR COMPRESSOR, CONTROLS & CYLINDER (Cont'd)

COMPONENT PARTS OF FOOT VALVE - 20 QE 36 (Cont'd)

Westinghouse #220115

| | | | |
|--------|-------|--|---|
| 210071 | | Seat, Exhaust Valve | 1 |
| 210074 | | Plug or Lock, Exhaust Valve | 1 |
| 210073 | | Tube, Exhaust Valve | 1 |
| 210039 | | Grommet | 1 |
| 212701 | | Spring | 1 |
| 204916 | | Stem, Valve | 1 |
| 210002 | | Spring, Valve | 1 |
| 204800 | | Ball, Steel | 2 |
| 216283 | | Body | 1 |
| 210049 | | Stud, Body | 3 |
| 203147 | | Nut, Body Stud | 3 |
| 203567 | | Washer, Body Stud Nut Lock | 3 |
| 210050 | | Plug, Choke | 1 |
| 204260 | | Ring, Retainer | 1 |
| 210041 | | Plate, Screen | 1 |
| | | * * * | |
| 10 BX | 2164A | Spacer, Foot Valve | 1 |
| 1 AX | 6 | Screw, Foot Valve Mounting (5/16"-24x1-3/4") | 3 |
| 20 AX | 2 | Nut, Foot Valve Mounting Screw (5/16"-24) | 3 |
| 36 AX | 2 | Washer, Foot Valve Mounting Screw (5/16") | 3 |

1213 - AIR COMPRESSOR, CONTROLS & CYLINDER (Cont'd)



| Ref. No. | PART NAME | Govt. Group | Ref. No. | PART NAME | Govt. Group | Ref. No. | PART NAME | Govt. Group |
|----------|----------------------|-------------|----------|------------------|-------------|----------|-----------------------|-------------|
| 1. | Seat—Spring | 1213 | 8. | Cover | 1213 | 15. | Gasket—Blanking Cover | 1213 |
| 2. | Pin—Cotter | 1213 | 9. | Spring | 1213 | 16. | Cover—Blank | 1213 |
| 3. | Ring—Diaphragm Guide | 1213 | 10. | Nut—Hex | 1213 | 17. | Lockwasher | 1213 |
| 4. | Guide—Diaphragm | 1213 | 11. | Washer—Diaphragm | 1213 | 18. | Screw—Cap | 1213 |
| 5. | Body—Relay Valve | 1213 | 12. | Diaphragm | 1213 | 19. | Spring—Supply Valve | 1213 |
| 6. | Bushing | 1213 | 13. | Screw—Diaphragm | 1213 | 20. | Nut—Cap | 1213 |
| 7. | Stem—Supply Valve | 1213 | 14. | Gasket—Cover | 1213 | | | |

20 QE 25 Valve, Relay (Westinghouse #217383) 1

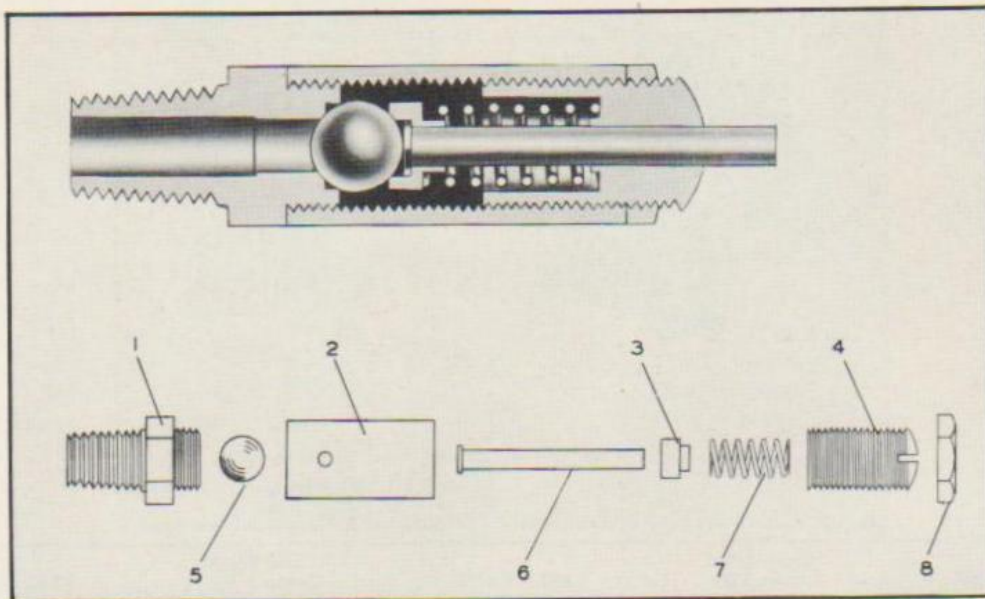
COMPONENT PARTS OF RELAY VALVE - 20 QE 25

WESTINGHOUSE #217383

| | | |
|----------|---|---|
| 202699 | Spring, Supply Valve | 1 |
| 202693 | Stem, Supply Valve | 1 |
| 216071 | Body, Relay Valve | 1 |
| 202690 | Bushing | 1 |
| 204650 | Guide, Diaphragm | 1 |
| 202695 | Diaphragm | 1 |
| 202698 | Spring | 1 |
| 202691 | Cover | 1 |
| 203227 | Nut, Hex | 1 |
| 204651 | Screw, Diaphragm | 1 |
| 203016 | Pin, Cotter | 1 |
| 202696 | Washer, Diaphragm | 1 |
| 211519 | Seat, Spring | 1 |
| 202869 | Ring, Diaphragm Guide | 1 |
| 211367 | Gasket, Cover | 1 |
| 202979 | Screw, Cap | 2 |
| 202982 | Lockwasher | 2 |
| 202748 | Cover, Blanking | 1 |
| 202735 | Gasket, Blanking Cover | 1 |
| 202692 | Nut, Cap | 1 |
| | * * * | |
| 1 AX 222 | Screw, Relay Valve Mounting (3/8"-24x1-3/16") | 2 |
| 20 AX 3 | Nut, Relay Valve Mounting Screw (3/8"-24) | 2 |
| 36 AX 3 | Washer, Relay Valve Mounting Screw (3/8") | 2 |

1213 - AIR COMPRESSOR, CONTROLS & CYLINDER (Cont'd)

AIR RESERVOIR SAFETY VALVE



| Ref. No. | PART NAME | Govt. Group | Ref. No. | PART NAME | Govt. Group | Ref. No. | PART NAME | Govt. Group |
|----------|-------------|-------------|----------|---------------|-------------|----------|-------------|-------------|
| 1. | Body | 1213 | 4. | Nut—Adjusting | 1213 | 6. | Pin—Release | 1213 |
| 2. | Cage—Spring | 1213 | 5. | Ball—Steel | 1213 | 7. | Spring | 1213 |
| 3. | Seat—Spring | 1213 | | | | 8. | Nut—Lock | 1213 |

10 AC 13065 Valve, Air Reservoir Safety (Westinghouse #205105)

COMPONENT PARTS OF SAFETY VALVE - 10 AC 13065

WESTINGHOUSE #205105

| | | |
|--------|----------------|---|
| 201609 | Body | 1 |
| 201614 | Spring | 1 |
| 201610 | Cage, Spring | 1 |
| 201615 | Seat, Spring | 1 |
| 201612 | Nut, Lock | 1 |
| 201611 | Nut, Adjusting | 1 |
| 201613 | Pin, Release | 1 |
| 201648 | Ball, Steel | 1 |

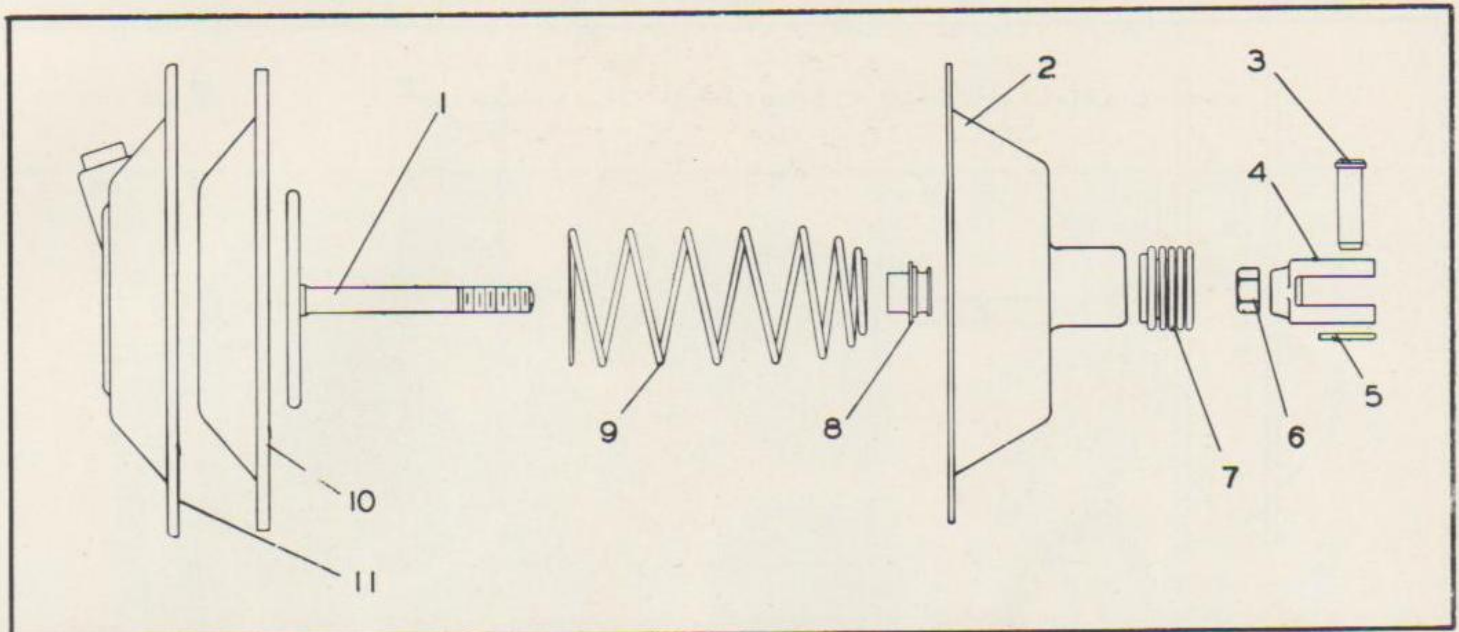
FRONT AIR CHAMBERS

| | | |
|--------------|--|---|
| 19 QEC 23-P3 | Chamber, Front Air Brake RH (Westinghouse #217212) | 1 |
| 19 QEC 23-P4 | Chamber, Front Air Brake LH (Westinghouse #217213) | 1 |
| 1 AX 145 | Bolt, Brake Chamber Mounting (1/2"-20x2-5/8") | 2 |
| 20 AX 5 | Nut, Brake Chamber Mounting Bolt (1/2"-20) | 2 |
| 36 AX 5 | Washer, Brake Chamber Mounting Bolt Lock (0.515) | 2 |
| 34 QE 11 | Bracket, Brake Chamber | 2 |
| 24 AX 186 | Rivet, Brake Chamber Bracket (3/8" x 1") | 4 |

| Group No. | Part No. | Description | No. Req'd |
|-----------|----------|-------------|-----------|
|-----------|----------|-------------|-----------|

1213 - AIR COMPRESSOR, CONTROLS & CYLINDER (Cont'd)

FRONT AIR CHAMBERS (Cont'd)



| Ref. No. | PART NAME | Govt. Group | Ref. No. | PART NAME | Govt. Group | Ref. No. | PART NAME | Govt. Group |
|----------|----------------------------------|-------------|----------|--|-------------|----------|-------------------------------|-------------|
| 1. | Rod, Brake Chamber Push | 1213 | 4. | Yoke—Brake Chamber Push Rod | 1213 | 8. | Guide—Brake Chamber Push Rod | 1213 |
| 2. | Plate—Brake Chamber Non-Pressure | 1213 | 5. | Pin—Brake Chamber Push Rod Yoke Pin Cotter | 1213 | 9. | Spring—Brake Chamber Push Rod | 1213 |
| 3. | Pin—Brake Chamber Push Rod Yoke | 1213 | 6. | Nut—Brake Chamber Push Rod | 1213 | 10. | Diaphragm—Brake Chamber | 1213 |
| | | | 7. | Boot—Brake Chamber Push Rod | 1213 | 11. | Plate—Brake Chamber Pressure | 1213 |

COMPONENT PARTS OF

19 QEC 23P3 FRONT AIR CHAMBER RH - WESTINGHOUSE #217212

19 QEC 23P4 FRONT AIR CHAMBER LH - WESTINGHOUSE #217213

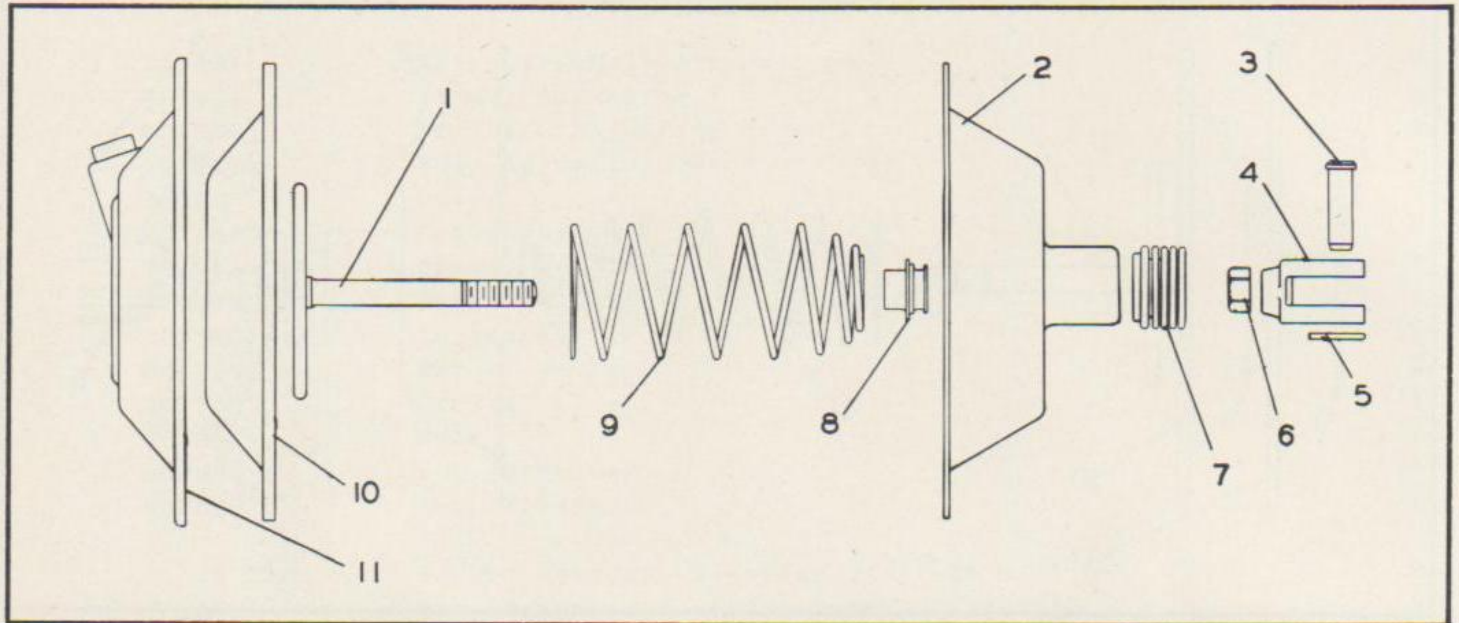
| | | |
|--------|-----------------------------------|----|
| 200730 | Plate, Brake Chamber Pressure | 2 |
| 210535 | Plate, Brake Chamber Non-Pressure | 2 |
| 205239 | Rod, Brake Chamber Push | 2 |
| 204678 | Spring, Brake Chamber Push Rod | 2 |
| 201687 | Boot, Brake Chamber Push Rod | 2 |
| 205948 | Yoke, Brake Chamber Push Rod | 2 |
| 203146 | Bolt, Hex. Head | 24 |
| 211158 | Guide, Brake Chamber Push Rod | 2 |
| 200728 | Diaphragm | 2 |
| 203575 | Nut, Yoke | 2 |
| 200054 | Pin, Yoke | 2 |
| 202797 | Body, Yoke | 2 |
| 203019 | Pin, Cotter | 2 |
| 203147 | Nut, Hex. | 24 |
| 201319 | Washer, Lock | 24 |

| Group No. | Part No. | Description | No. Req'd |
|-----------|----------|-------------|-----------|
|-----------|----------|-------------|-----------|

1213 - AIR COMPRESSOR, CONTROLS & CYLINDER (Cont'd)

19 QEC 3038 REAR BRAKE CHAMBER RH - WESTINGHOUSE #217887 (Cont'd)

19 QEC 3039 REAR BRAKE CHAMBER LH - WESTINGHOUSE #217886 (Cont'd)



| Ref. No. | PART NAME | Govt. Group | Ref. No. | PART NAME | Govt. Group | Ref. No. | PART NAME | Govt. Group |
|----------|----------------------------------|-------------|----------|--|-------------|----------|-------------------------------|-------------|
| 1. | Rod, Brake Chamber Push | 1213 | 4. | Yoke—Brake Chamber Push Rod | 1213 | 8. | Guide—Brake Chamber Push Rod | 1213 |
| 2. | Plate—Brake Chamber Non-Pressure | 1213 | 5. | Pin—Brake Chamber Push Rod Yoke Pin Cotter | 1213 | 9. | Spring—Brake Chamber Push Rod | 1213 |
| 3. | Pin—Brake Chamber Push Rod Yoke | 1213 | 6. | Nut—Brake Chamber Push Rod | 1213 | 10. | Diaphragm—Brake Chamber | 1213 |
| | | | 7. | Boot—Brake Chamber Push Rod | 1213 | 11. | Plate—Brake Chamber Pressure | 1213 |

| | | |
|------------|---|---|
| 19 QE 3038 | Chamber, Rear Brake RH (Westinghouse #217887) | 1 |
| 19 QE 3039 | Chamber, Rear Brake LH (Westinghouse #217886) | 1 |

COMPONENT PARTS OF

19 QE 3038 REAR BRAKE CHAMBER RH - WESTINGHOUSE #217887

19 QE 3039 REAR BRAKE CHAMBER LH - WESTINGHOUSE #217886

| | | |
|--------|--|----|
| 202880 | Plate, Rear Brake Chamber Pressure | 2 |
| 203151 | Bolt, Rear Brake Chamber Pressure Plate | 36 |
| 203145 | Nut, Rear Brake Chamber Pressure Plate Bolt | 36 |
| 201318 | Washer, Rear Brake Chamber Pressure Plate Bolt | 36 |
| 200001 | Diaphragm, Rear Brake Chamber | 2 |
| 217269 | Plate, Rear Brake Chamber Non-Pressure | 2 |
| 202672 | Stud, Rear Brake Chamber | 4 |
| 203172 | Nut, Rear Brake Chamber Stud | 4 |
| 203173 | Washer, Rear Brake Chamber Stud | 4 |
| 203156 | Cotter, Rear Brake Chamber Stud Nut | 4 |
| 205195 | Rod, Rear Brake Chamber Push | 2 |
| 212294 | Spring, Rear Brake Chamber Push Rod (Inner) | 2 |
| 212295 | Spring, Rear Brake Chamber Push Rod (Outer) | 2 |
| 201687 | Boot, Rear Brake Chamber Push Rod | 2 |
| 203575 | Nut, Rear Brake Chamber Push Rod | 2 |

1213 - AIR COMPRESSOR, CONTROLS & CYLINDER

COMPONENT PARTS OF

19 QE 3038 REAR BRAKE CHAMBER RH - WESTINGHOUSE #217887 (Cont'd)

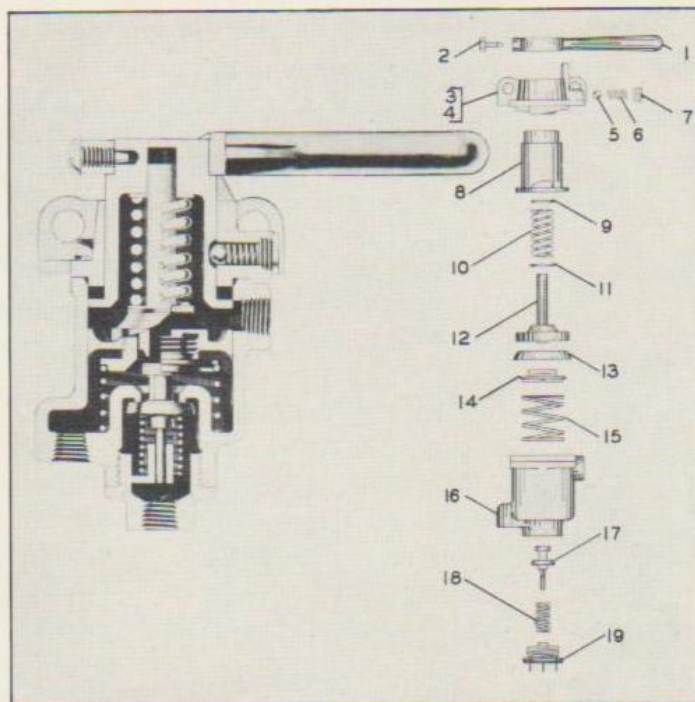
19 QE 3039 REAR BRAKE CHAMBER LH - WESTINGHOUSE #217886 (Cont'd)

| | | | |
|--------|----|---|---|
| 84 AX | 24 | Yoke, Rear Brake Chamber Push Rod (1/2"-20) | 2 |
| 200054 | | Pin, Rear Brake Chamber Push Rod Yoke (1/2"-20) | 2 |
| 203019 | | Cotter, Rear Brake Chamber Push Rod Yoke Pin | 2 |

* * *

| | | | |
|--------|---------|--|---|
| 22 QEC | 210-P14 | Reservoir, Air | 1 |
| 44 QE | 11 | Clamp, Rear Mounted Air Reservoir | 4 |
| 91 AX | 9 | Rod, Air Reservoir Clamp (3/8"-24x7") | 4 |
| 20 AX | 3 | Nut, Air Reservoir Clamp Rod (3/8"-24) | 8 |
| 36 AX | 3 | Washer, Air Reservoir Clamp Rod (3/8") | 8 |
| 41 RU | 1238 | Angle, Rear Mounted Air Reservoir Support | 4 |
| 1 AX | 35 | Screw, Rear Mounted Air Reservoir Support Angle (3/8"-24 x 1") | 4 |
| 20 AX | 3 | Nut, Rear Mounted Air Reservoir Support Angle Screw (3/8"-24) | 4 |
| 36 AX | 3 | Washer, Rear Mounted Air Reservoir Support Angle Screw (3/8") | 4 |

HAND CONTROL VALVE



| Ref. No. | PART NAME | Govt. Group | Ref. No. | PART NAME | Govt. Group | Ref. No. | PART NAME | Govt. Group |
|----------|---------------|-------------|----------|------------------|-------------|----------|-------------------------|-------------|
| 1. | Handle | 1213 | 7. | Plug—Check Valve | 1213 | 13. | Cup—Piston | 1213 |
| 2. | Screw—Machine | 1213 | 8. | Cage—Spring | 1213 | 14. | Nut—Piston | 1213 |
| 3. | Cover | 1213 | 9. | Washer | 1213 | 15. | Spring | 1213 |
| 4. | Clamp | 1213 | 10. | Spring | 1213 | 16. | Body | 1213 |
| 5. | Ball—Steel | 1213 | 11. | Shim—Washer | 1213 | 17. | Valve—Inlet and Exhaust | 1213 |
| 6. | Spring | 1213 | 12. | Piston Assembly | 1213 | 18. | Spring | 1213 |
| | | | | | | 19. | Nut—Cap | 1213 |

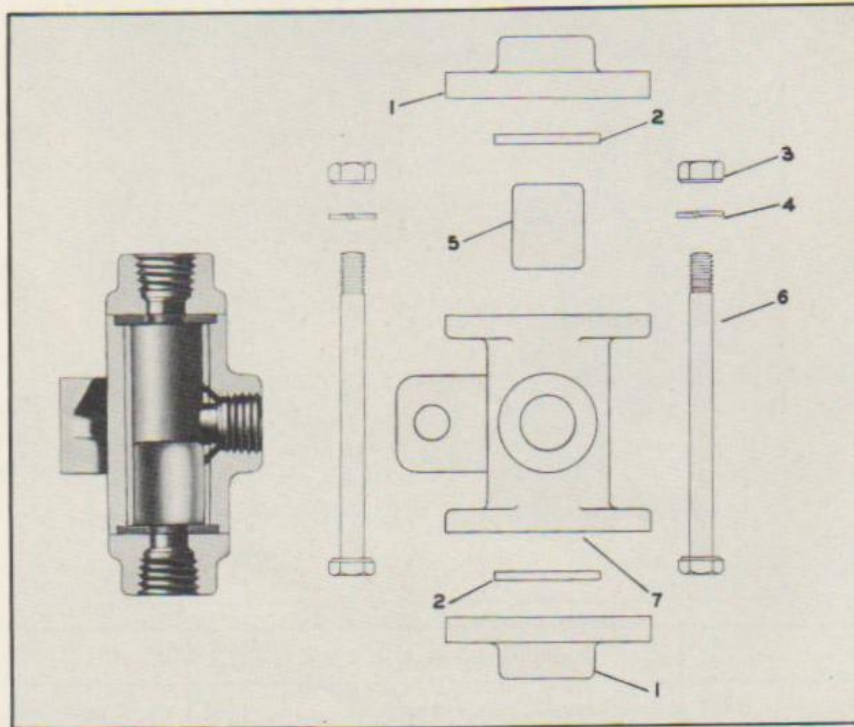
| | | | |
|-------|-----|--|---|
| 10 BQ | 348 | Valve, Hand Control (Westinghouse #215356) | 1 |
|-------|-----|--|---|

| Group No. | Part No. | Description | No. Req'd |
|-----------|----------|-------------|-----------|
|-----------|----------|-------------|-----------|

1213 - AIR COMPRESSOR, CONTROLS & CYLINDER (Cont'd)
 COMPONENT PARTS OF 10 BQ 348 HAND CONTROL VALVE
 WESTINGHOUSE #215356

| | | |
|------------|------------------------------------|---|
| 203317 | Cover | 1 |
| 203259 | Handle | 1 |
| 203269 | Spring, Piston (Upper) | 1 |
| 203268 | Washer, Piston Spring (Upper) | 1 |
| 203252 | Body | 1 |
| 203253 | Spring, Piston (Lower) | 1 |
| 203256 | Nut, Piston | 1 |
| 203764 | Washer, Shim | 1 |
| 215305 | Piston Assembly | 1 |
| 203260 | Screw, Handle Lock | 1 |
| 203257 | Cage, Spring | 1 |
| 203345 | Plug, Check Valve | 1 |
| 204185 | Spring, Poppet | 1 |
| 201327 | Ball, Poppet Steel | 1 |
| 203525 | Cup, Piston | 1 |
| 215306 | Valve, Inlet & Exhaust | 1 |
| 203265 | Spring, Valve | 1 |
| 203266 | Nut, Cap | 1 |
| 202979 | Bolt, Cover to Body | 3 |
| 202982 | Lockwasher, Cover to Body Bolt | 3 |
| | * * * | |
| 10 BG 1703 | Spacer, Hand Control Valve | 2 |
| 83 AX 5 | Clamp, Hand Control Valve (2-1/8") | 2 |

DOUBLE CHECK VALVE



| Ref. No. | PART NAME | Govt. Group | Ref. No. | PART NAME | Govt. Group | Ref. No. | PART NAME | Govt. Group |
|----------|-----------|-------------|----------|-------------|-------------|----------|---------------|-------------|
| 1. | Cap | 1213 | 3. | Nut—Hex | 1213 | 6. | Bolt—Hex | 1213 |
| 2. | Washer | 1213 | 4. | Washer—Lock | 1213 | 7. | Body—Assembly | 1213 |
| | | | 5. | Valve—Slide | 1213 | | | |

| | | |
|----------|---|---|
| 13 QE 15 | Valve, Double Check. (Westinghouse #217698) | 1 |
|----------|---|---|

| Group No. | Part No. | Description | No. Req'd |
|-----------|----------|-------------|-----------|
|-----------|----------|-------------|-----------|

1213 - AIR COMPRESSOR, CONTROLS & CYLINDER (Cont'd)

COMPONENT PARTS OF DOUBLE CHECK VALVE - 13 QE 15

WESTINGHOUSE #217698

| | | | |
|--------|--|-----------------------------------|---|
| 212207 | | Bolt, Double Check Valve Hex Head | 2 |
| 203147 | | Nut, Double Check Valve Hex | 2 |
| 203567 | | Lockwasher, Double Check Valve | 2 |
| 212205 | | Valve, Double Check Valve Slide | 1 |
| 217697 | | Body Assembly, Double Check Valve | 1 |
| 210354 | | Washer, Double Check Valve | 2 |
| 212206 | | Cap, Double Check Valve | 2 |

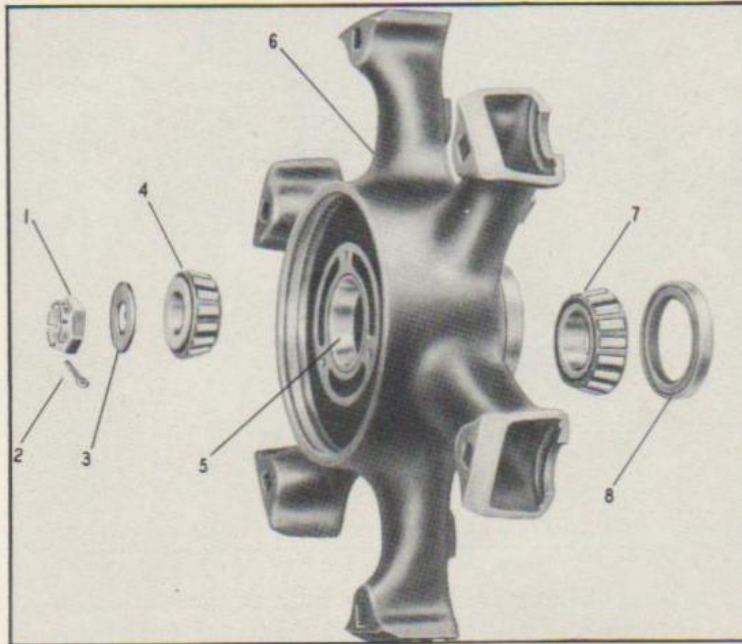
* * *

| | | | |
|-------|-----|--|---|
| 50 QE | 13 | Lever, Control (EHT Chassis) | 1 |
| 30 AX | 12 | Pin, Control Shaft Lever Taper (EHT Chassis) (#0x1") | 1 |
| 51 QE | 11 | Bracket, Control Shaft (EHT Chassis) | 1 |
| 48 RU | 129 | Strap, Control Lever Clamping (EHT Chassis) | 1 |
| 29 QE | 135 | Retainer, Control Lever Clamping Strap (EHT Chassis) | 1 |
| 4 AX | 2 | Screw, Control Shaft Bracket Mounting (EHT Chassis) (1/4"-20 x 3/4") | 1 |
| 23 AX | 283 | Nut, Control Shaft Bracket Mounting Screw (EHT Chassis) (1/4"-20) | 1 |
| 36 AX | 1 | Washer, Control Shaft Bracket Mounting Screw (EHT Chassis) (1/4") | 1 |
| 51 QE | 12 | Shaft, Hand Control (EHT Chassis) | 1 |
| * * * | | | |
| 20 QE | 18 | Valve, Tire Inflation | 1 |

13 - WHEELS, HUBS AND DRUMS (FRONT & REAR)

1301 - WHEEL ASSEMBLY, BEARINGS, RETAINERS, ETC.

FRONT WHEELS (Cont'd)



| Ref. No. | PART NAME | Govt. Group | Ref. No. | PART NAME | Govt. Group | Ref. No. | PART NAME | Govt. Group |
|----------|------------------------------------|-------------|----------|----------------------|-------------|----------|----------------------|-------------|
| 1. | Nut—Wheel Bearing Adjusting | 1301 | 3. | Spacer—Wheel Bearing | 1301 | 6. | Wheel—Front Steel | 1301 |
| 2. | Cotter—Wheel Bearing Adjusting Nut | 1301 | 4. | Cone—Outer | 1301 | 7. | Cone—Inner | 1301 |
| | | | 5. | Cup—Outer | 1301 | 8. | Seal—Front Wheel Oil | 1301 |

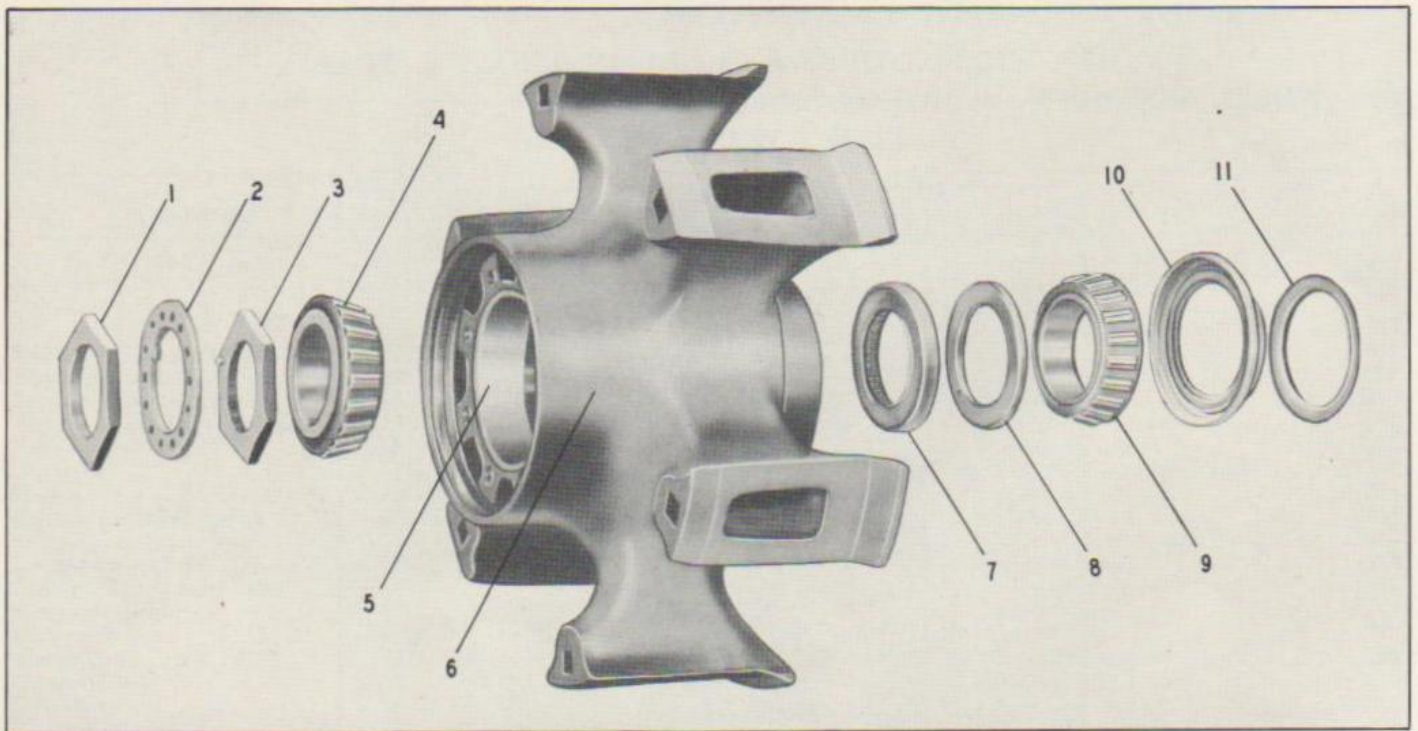
| Group No. | Part No. | Description | No. Req'd |
|-----------|----------|-------------|-----------|
|-----------|----------|-------------|-----------|

1301 - WHEEL ASSEMBLY, BEARINGS, RETAINERS, ETC. (Cont'd)

FRONT WHEELS (Cont'd)

| | | | |
|----|---------|--|----|
| 2 | QJ 311A | Wheel, Front Steel | 2 |
| 12 | CG 11 | Rim, Firestone (8.25/20 Tire) | 2 |
| 12 | AK 1163 | Rim, Firestone (9.00/20 Tire) | 2 |
| 35 | AX 456 | Spacer, Wheel Bearing (1.005" x 2-1/8" x 5/32") | 2 |
| 21 | AX 20 | Nut, Wheel Bearing Adjusting (1"-14) | 2 |
| 29 | AX 7 | Cotter, Wheel Bearing Adjusting Nut (1/8" x 2") | 2 |
| 6 | AX 460 | Bolt, Rim Clamping Lug (5/8"-11 x 1-7/8") | 12 |
| 23 | AX 229 | Nut, Rim Clamping Lug Bolt (5/8"-11 x 5/8") | 12 |
| 29 | AX 3 | Cotter, Rim Clamping Lug Bolt Nut (3/32", x 1") | 12 |
| 15 | QJ 121A | Lug, Rim Clamping | 12 |
| 19 | QJ 11A | Cap, Front Wheel Hub | 2 |
| 19 | QJ 214 | Trim Cap, Front Wheel Hub | 2 |
| 56 | AX 192 | Gasket, Front Wheel Hub Cap (3" I.D.) | 2 |
| 4 | AX 32 | Screw, Front Wheel Hub Cap (5/16"-18 x 7/8") | 6 |
| 36 | AX 2 | Washer, Front Wheel Hub Cap Screw (5/16") | 6 |
| 88 | AX 58 | Seal, Front Wheel Oil (2-11/16" x 3.758" x 1/2") | 2 |
| 62 | AX 223 | Cone, Outer (Timken #2790) | 2 |
| 62 | AX 224 | Cone, Inner (Timken #3778) | 2 |
| 64 | AX 15 | Cup, Outer (Timken #2720) | 2 |
| 64 | AX 16 | Cup, Inner (Timken #3720) | 2 |

REAR WHEELS



| Ref. No. | PART NAME | Govt. Group | Ref. No. | PART NAME | Govt. Group | Ref. No. | PART NAME | Govt. Group |
|----------|---|-------------|----------|--|-------------|----------|---------------------------------|-------------|
| 1. | Nut—Rear Wheel Bearing Adjusting Jam | 1301 | 5. | Cup—Rear Wheel Bearing (Outer) | 1301 | 8. | Washer—Rear Wheel Oil Seal | 1301 |
| 2. | Ring—Rear Wheel Bearing Lock | 1301 | 6. | Wheel—Rear Steel | 1301 | 9. | Cone—Rear Wheel Bearing (Inner) | 1301 |
| 3. | Nut & Pin Assembly—Rear Wheel Bearing Adjusting | 1301 | 7. | Seal—Rear Wheel Oil (Between Bearings) | 1301 | 10. | Seal—Rear Wheel Oil | 1301 |
| 4. | Cone—Rear Wheel Bearing (Outer) | 1301 | | | | 11. | Washer—Rear Wheel Oil Seal Drip | 1301 |

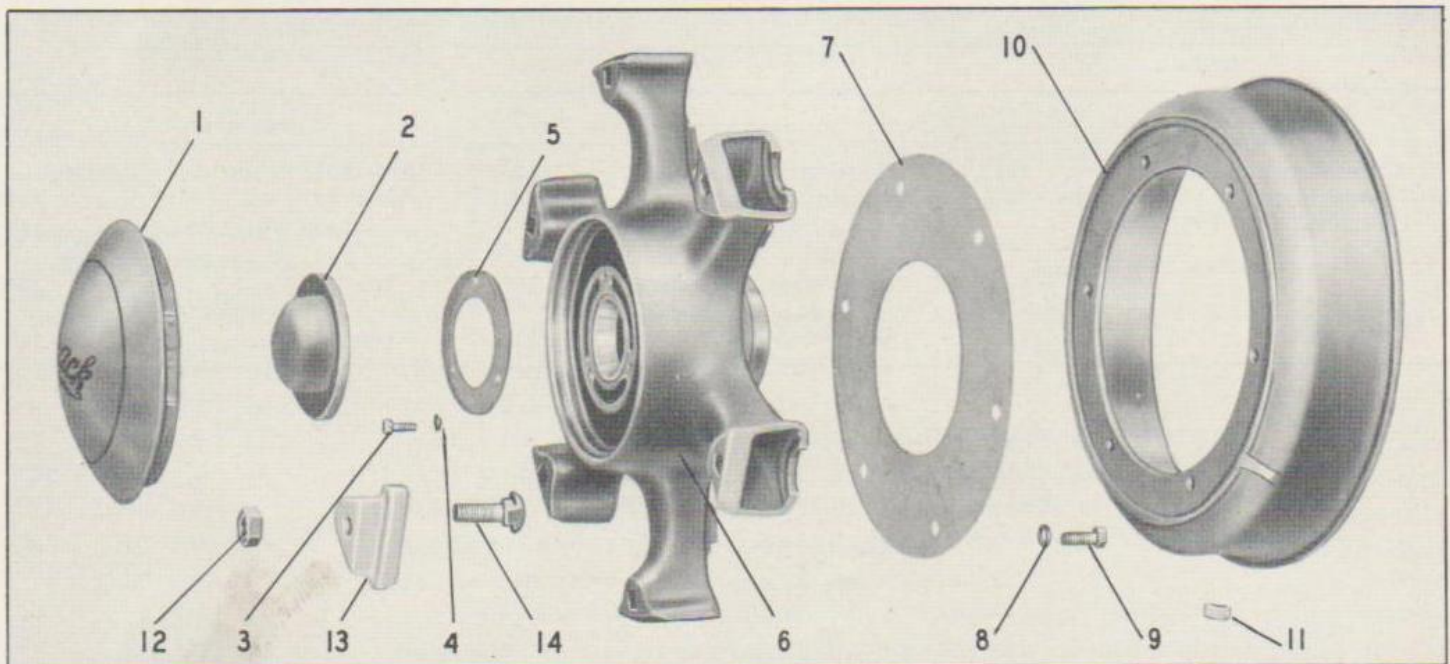
| Group No. | Part No. | Description | No. Req'd |
|-----------|----------|-------------|-----------|
|-----------|----------|-------------|-----------|

1301 - WHEEL ASSEMBLY, BEARINGS, RETAINERS, ETC. (Cont'd)

REAR WHEELS (Cont'd)

| | | | |
|--------|------|---|----|
| 8 QJ | 320A | Wheel, Rear Steel | 2 |
| 62 AX | 182 | Cone, Rear Wheel Bearing (Outer) (Timken #566) | 2 |
| 62 AX | 75 | Cone, Rear Wheel Bearing (Inner) (Timken #580) | 2 |
| 64 AX | 72 | Cup, Rear Wheel Bearing (Outer) (Timken #563) | 2 |
| 64 AX | 35 | Cup, Rear Wheel Bearing (Inner) (Timken #592) | 2 |
| 25 QJA | 12 | Nut & Pin Assembly, Rear Wheel Bearing Adjusting | 2 |
| 33 AX | 53 | Pin, Rear Wheel Bearing Adjusting Nut (1/4"x1/2") | 2 |
| 21 AX | 333 | Nut, Rear Wheel Bearing Adjusting Jam (2-3/4"-12) | 2 |
| 23 QJ | 11 | Ring, Rear Wheel Bearing Lock | 2 |
| 88 AX | 59 | Seal, Rear Wheel Oil (4.004" x 5.752" x 25/32") | 2 |
| 11 EH | 114 | Washer, Rear Wheel Oil Seal Drip | 2 |
| 88 AX | 157 | Seal, Rear Wheel Oil (Between Bearings) (3-1/8"x4.756"x5/8") | 2 |
| 35 AX | 707 | Washer, Rear Wheel Oil Seal (3-5/16"x4.7525") | 2 |
| 12 AK | 1163 | Rim, Rear Wheel (9.00/20 Tires) (Chassis EH1S2637-2831, EH1S2865-3039, EHU1D1425-1494, EH1D3869-3888 and EH1D3907-3943) | 4 |
| 12 CG | 11 | Rim, Rear Wheel (8.25/20 Tires) (Chassis EH1S2833-2864, 3040-3072, EH1D3889-3906, EHUT1D1224-1403 and EHT1D2273-2412) | 4 |
| 15 QJ | 21 | Lug, Rear Wheel Rim Clamping | 12 |
| 6 AX | 460 | Bolt, Rear Wheel Rim Clamping Lug (5/8"-11x1-7/8") | 12 |
| 23 AX | 229 | Nut, Rear Wheel Rim Lug Bolt (5/8"-11x5/8") | 12 |
| 29 AX | 3 | Cotter, Rear Wheel Rim Lug Bolt (3/32" x 1") | 12 |
| 11 CG | 236 | Spacer, Rear Wheel Rim | 2 |
| 19 QJ | 214 | Cap, Rear Wheel Hub | 2 |

1302 - HUBS AND DRUMS, WHEEL STUDS AND NUTS

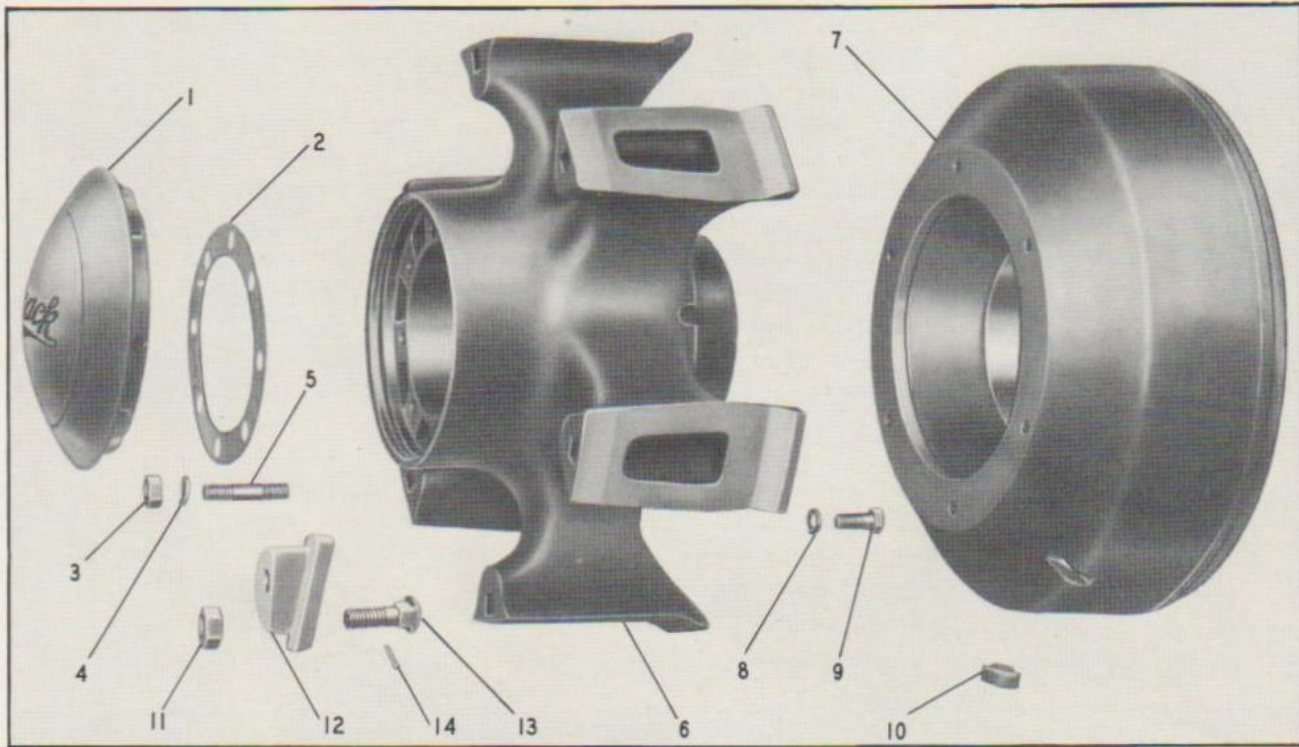


| Ref. No. | PART NAME | Govt. Group | Ref. No. | PART NAME | Govt. Group | Ref. No. | PART NAME | Govt. Group |
|----------|----------------------------------|-------------|----------|--------------------------------|-------------|----------|----------------------------------|-------------|
| 1. | Trim Cap—Front Wheel Hub | 1301 | 5. | Gasket—Front Wheel Hub Cap | 1301 | 10. | Drum—Front Brake | 1302 |
| 2. | Cap—Front Wheel Hub | 1301 | 6. | Wheel—Front Steel | 1301 | 11. | Cover—Brake Drum Inspection Hole | 1302 |
| 3. | Screw—Front Wheel Hub Cap | 1301 | 7. | Plate—Front Brake Drum Sealing | 1302 | 12. | Nut—Rim Clamping Lug Bolt | 1301 |
| 4. | Washer—Front Wheel Hub Cap Screw | 1301 | 8. | Washer—Brake Drum Cap Screw | 1302 | 13. | Lug—Rim Clamping | 1301 |
| | | | 9. | Screw—Brake Drum Cap | 1302 | 14. | Bolt—Rim Clamping Lug | 1301 |

| Group No. | Part No. | Description | No. Req'd |
|-----------|----------|-------------|-----------|
|-----------|----------|-------------|-----------|

1302 - HUBS AND DRUMS, WHEEL STUDS AND NUTS (Cont'd)

| | | | |
|-------|------|--|----|
| 17 QJ | 314A | Drum, Front Brake (Hydraulic) | 2 |
| 17 QJ | 349A | Drum, Front Brake (Air) | 2 |
| 18 QJ | 12 | Cover, Brake Drum Inspection Hole | 2 |
| 34 QJ | 12 | Plate, Front Brake Drum Sealing | 2 |
| 6 AX | 461 | Screw, Brake Drum Cap (1/2"-13 x 1-1/4") | 12 |
| 36 AX | 3 | Washer, Brake Drum Cap Screw (3/8") | 12 |



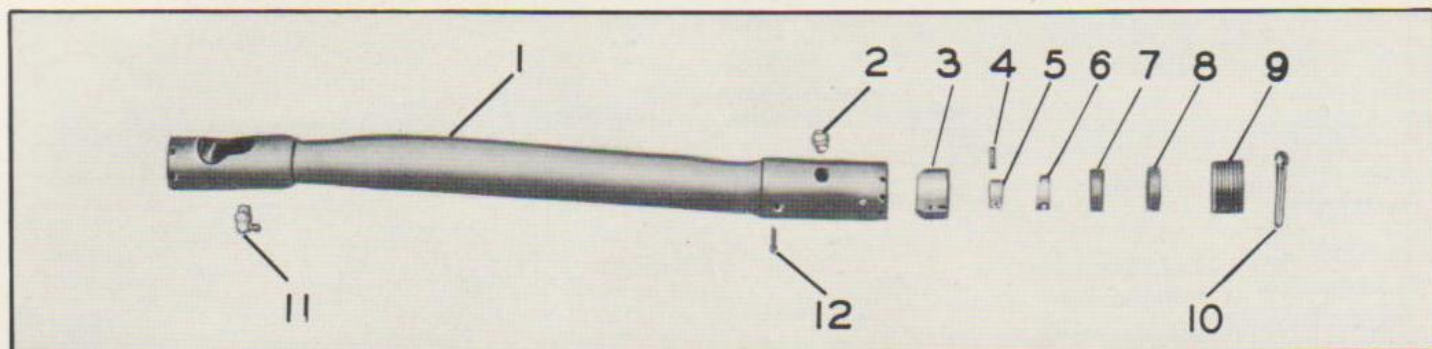
| Ref. No. | PART NAME | Govt. Group | Ref. No. | PART NAME | Govt. Group | Ref. No. | PART NAME | Govt. Group |
|----------|------------------------------------|-------------|----------|---------------------------------------|-------------|----------|---|-------------|
| 1. | Cap—Rear Wheel Hub | 1301 | 6. | Wheel—Rear Steel | 1301 | 11. | Nut—Rear Wheel Rim Clamping Lug Bolt | 1301 |
| 2. | Gasket—Rear Axle Shaft Flange | 1102 | 7. | Drum—Rear Brake | 1302 | 12. | Lug—Rear Wheel Rim Clamping Lug | 1301 |
| 3. | Nut—Rear Axle Shaft Flange Stud | 1102 | 8. | Washer—Rear Brake Drum Screw | 1302 | 13. | Bolt—Rear Wheel Rim Clamping Lug | 1301 |
| 4. | Washer—Rear Axle Shaft Flange Stud | 1102 | 9. | Screw—Rear Brake Drum | 1302 | 14. | Cotter—Rear Wheel Rim Clamping Lug Bolt | 1301 |
| 5. | Stud—Rear Axle Shaft Flange Stud | 1102 | 10. | Cover—Rear Brake Drum Inspection Hole | 1302 | | | |

| | | | |
|-------|------|---|----|
| 17 QJ | 317A | Drum, Rear Brake | 2 |
| 6 AX | 461 | Screw, Rear Brake Drum (1/2"-13 x 1-1/4") | 12 |
| 36 AX | 5 | Washer, Rear Brake Drum Screw (.515") | 12 |
| 18 QJ | 12 | Cover, Rear Brake Drum Inspection Hole | 2 |

| Group No. | Part No. | Description | No. Req'd |
|-----------|----------|-------------|-----------|
|-----------|----------|-------------|-----------|

14 - STEERING

1401 - DRAG LINK



| Ref. No. | PART NAME | Govt. Group | Ref. No. | PART NAME | Govt. Group | Ref. No. | PART NAME | Govt. Group |
|----------|---------------------------|-------------|----------|----------------------------|-------------|----------|--------------------------------|-------------|
| 1. | Tube—Drag Link | 1401 | 5. | Adjuster—Drag Link Bearing | 1401 | 9. | Plug—Drag Link Threaded | 1401 |
| 2. | Alemite—Drag Link Bearing | 1401 | 6. | Adjuster—Drag Link Bearing | 1401 | 10. | Cotter—Drag Link Threaded Plug | 1401 |
| 3. | Seat—Drag Link | 1401 | 7. | Bearing—Drag Link | 1401 | 11. | Alemite—Drag Link Bearing | 1401 |
| 4. | Spring—Drag Link | 1401 | 8. | Bearing—Drag Link | 1401 | 12. | Pin—Drag Link | 1401 |

| | | | | |
|-----|----|--------|--|---|
| 13 | QC | 34-P1 | Link, Drag (EHU & EHUT) | 1 |
| 13 | QC | 314-P1 | Link, Drag (EH & EHT) | 1 |
| 10 | EH | 329-1 | Tube, Drag Link (EH & EHT) (Superior Univ. Prod. #12TF92) | 1 |
| 381 | SL | 16 | Tube, Drag Link (EHU & EHUT) (Superior Univ. Prod. #12TF113) | 1 |
| 10 | CG | 339-1 | Seat, Drag Link (Superior Univ. Prod. #12A1) | 2 |
| 10 | CG | 339-2 | Bearing, Drag Link (Superior Univ. Prod. #12R2) | 4 |
| 10 | CG | 339-3 | Plug, Drag Link Threaded (Superior Univ. Prod. #12R3-1) | 2 |
| 10 | CG | 339-4 | Adjuster, Drag Link Bearing (Superior Univ. Prod. #11A8) (15/16" O.D.) | 2 |
| 10 | CG | 339-5 | Adjuster, Drag Link Bearing (Superior Univ. Prod. #11A9) (3/4" O.D.) | 2 |
| 10 | CG | 339-6 | Pin, Drag Link (Superior Univ. Prod. #12A10) (1/8"x3/4") | 2 |
| 10 | CG | 339-7 | Pin, Drag Link (Superior Univ. Prod. #11A11) (3/16"x3/8") | 2 |
| 10 | CG | 339-8 | Spring, Drag Link (Superior Univ. Prod. #11A12) | 2 |

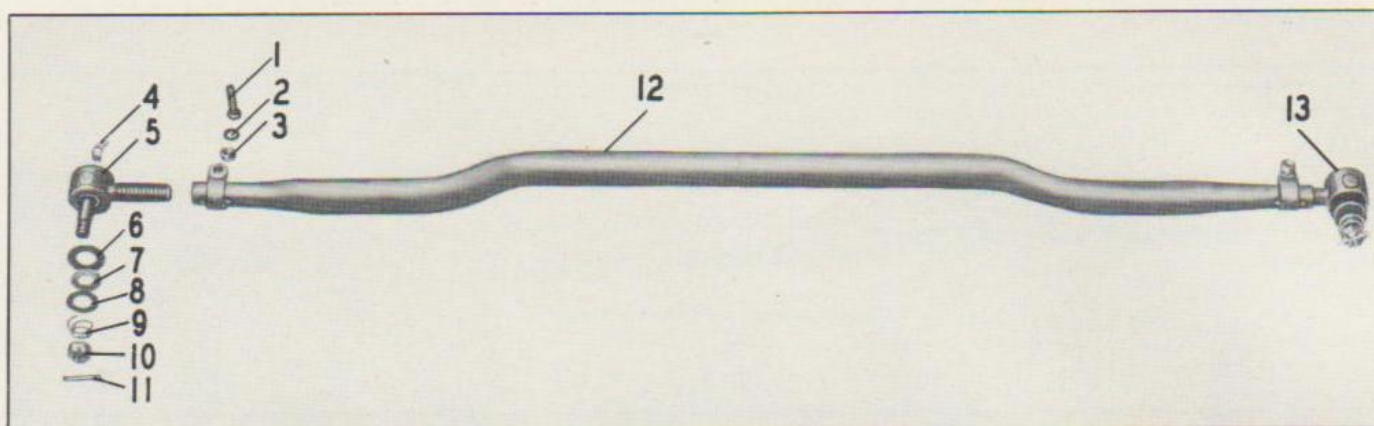
1402 - TIE RODS

| | | | | |
|-----|-----|-----|---|---|
| 7 | QHA | 314 | Tube Assembly, Cross Steering | 1 |
| 6 | QH | 35 | Tube, Cross Steering | 1 |
| 1 | AX | 39 | Bolt, Cross Steering Tube Clamp (7/16"-20x1-3/4") | 2 |
| 20 | AX | 4 | Nut, Cross Steering Tube Clamp Bolt (7/16"-20) | 2 |
| 36 | AX | 4 | Washer, Cross Steering Tube Clamp (.453") | 2 |
| 10 | QHA | 11 | Socket Assembly, Cross Steering R.H. | 1 |
| 10 | QHA | 12 | Socket Assembly, Cross Steering L.H. | 1 |
| 21 | AX | 113 | Nut, Cross Steering Tube Stud (5/8"-18x9/16") | 2 |
| 58 | AX | 71 | Spring, Cross Steering Tube Ball Joint Dust Retainer (#13 W&M GA. x .0915") | 2 |
| 37 | AX | 373 | Seat, Cross Steering Tube Ball Joint Dust Retainer Spring (53/64" x 1-1/2" x 1/32") | 2 |
| 104 | AX | 23 | Felt, Cross Steering Tube Ball Joint Dust Retainer (.777" x 1-3/8" x 1/8") | 2 |
| 37 | AX | 259 | Cover, Cross Steering Tube Ball Joint Dust (57/64" x 1-3/4" x 1/32") | 2 |

1402
1403

| Group No. | Part No. | Description | No. Req'd |
|-----------|----------|-------------|-----------|
|-----------|----------|-------------|-----------|

1402 - TIE RODS (Cont'd)



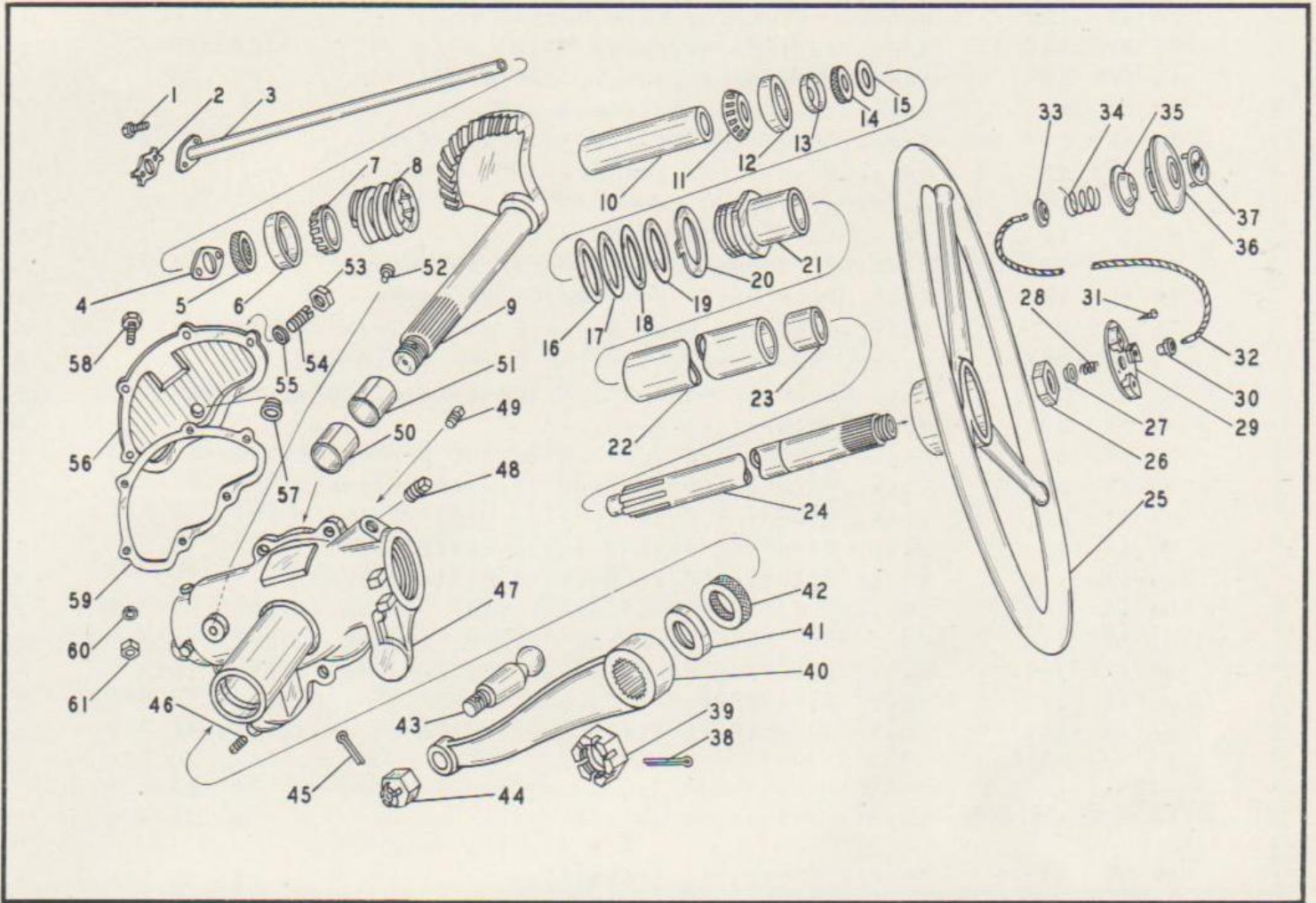
| Ref. No. | PART NAME | Govt. Group | Ref. No. | PART NAME | Govt. Group | Ref. No. | PART NAME | Govt. Group |
|----------|------------------------------------|-------------|----------|--|-------------|----------|---|-------------|
| 1. | Bolt—Cross Steering Tube Clamp | 1402 | 5. | Socket Assembly—Cross Steering (L. H.) | 1402 | 9. | Spring—Cross Steering Tube Ball Joint Dust Retainer | 1402 |
| 2. | Washer—Cross Steering Tube | 1402 | 6. | Cover—Cross Steering Tube Ball Joint Dust Retainer Felt | 1402 | 10. | Nut—Cross Steering Tube Stud | 1402 |
| 3. | Nut—Cross Steering Tube Clamp Bolt | 1402 | 7. | Felt—Cross Steering Tube Ball Joint Dust Retainer | 1402 | 11. | Cotter—Cross Steering Tube Stud Nut | 1402 |
| 4. | Alemite—Cross Steering Tube Socket | 1402 | 8. | Seat—Cross Steering Tube Ball Joint Dust Retainer Spring | 1402 | 12. | Tube—Cross Steering | 1402 |
| | | | | | | 13. | Socket Assembly—Cross Steering (R. H.) | 1402 |

1403 - STEERING GEAR ASSEMBLY

| | | | | |
|----|------|---------|--|--------|
| 20 | QC | 434-P14 | Gear, Steering (Complete) (EH & EHT) (Conventional Chassis) | 1 |
| 20 | QC | 434-P18 | Gear, Steering (Complete) (EHU & EHUT) (Cab over Engine Chassis) | 1 |
| 35 | KFAC | 27-P1 | Tube, Steering Gear Jacket, Assembly (EHU & EHUT) | 1 |
| 35 | KFAC | 27-P5 | Tube, Steering Gear Jacket Assembly (EH & EHT) | 1 |
| 18 | KFAC | 251-P1 | Worm Shaft & Spider Nut, Steering Gear, Assembly (EHU & EHUT) | 1 |
| 18 | KFAC | 251-P5 | Worm Shaft & Spider Nut, Steering Gear, Assembly (EH & EHT) | 1 |
| 10 | EH | 218 | Lever, Steering Gear (EH & EHT) | 1 |
| 9 | QC | 214 | Lever, Steering Gear (EHU & EHUT) | 1 |
| 10 | QC | 17 | Stud, Steering Gear Lever Ball | 1 |
| 21 | AX | 113 | Nut, Steering Gear Lever Ball Stud (5/8"-18x9/16") | 1 |
| 29 | AX | 12 | Cotter, Steering Gear Lever Ball Nut (1/8"x1") | 1 |
| 10 | CW | 27 | Gasket, Steering Gear Housing Cover | 1 |
| 10 | CW | 135 | Lock, Worm Shaft Bearing Adjusting Nut | 1 |
| 10 | CW | 137 | Gasket, Horn Wire Tube Flange | 1 |
| 10 | CW | 139 | Retainer, Steering Gear Sector Shaft Oil Seal | 1 |
| 10 | CW | 140A | Bushing, Steering Gear Sector Shaft | 2 |
| 10 | CW | 141 | Shim, Worm Shaft Bearing Adjusting Nut (.020") | AsReq. |
| 10 | CW | 142 | Shim, Worm Shaft Bearing Adjusting Nut (.005") | AsReq. |
| 10 | CW | 143 | Shim, Worm Shaft Bearing Adjusting Nut (.003") | AsReq. |
| 10 | CW | 155 | Shim, Worm Shaft Bearing Adjusting Nut (.0625") | AsReq. |
| 10 | CW | 158 | Plate, Worm Shaft Upper Bearing Oil Seal | 1 |
| 10 | CW | 159 | Retainer, Worm Shaft Upper Bearing Oil Seal | 1 |
| 10 | CW | 162 | Spacer, Worm Shaft Bearing | 1 |
| 10 | CW | 164 | Nut, Worm Shaft Bearing Adjusting | 1 |

Group
No.

1403 - STEERING GEAR ASSEMBLY (Cont'd)



| Ref. No. | PART NAME | Govt. Group | Ref. No. | PART NAME | Govt. Group | Ref. No. | PART NAME | Govt. Group |
|----------|---|-------------|----------|--|-------------|----------|--|-------------|
| 1. | Screw—Horn Wire Tube Flange | 1403 | 21. | Nut—Worm Shaft Bearing Adjusting | 1403 | 45. | Cotter—Steering Gear Lever Ball Stud Nut | 1403 |
| 2. | Lock—Horn Wire Tube Flange Screw | 1403 | 22. | Tube Assembly—Steering Gear Jacket | 1403 | 46. | Plug—Steering Gear Housing Drain | 1403 |
| 3. | Tube Assembly—Horn Wire | 1403 | 23. | Bushing—Steering Gear Jacket Tube | 1403 | 47. | Housing Assembly—Steering Gear | 1403 |
| 4. | Gasket—Horn Wire Tube Flange | 1403 | 24. | Worm Shaft and Spider Nut Assembly—Steering Gear | 1403 | 48. | Plug—Steering Gear Housing Filler | 1403 |
| 5. | Seal—Worm Shaft Oil (Lower) | 1403 | 25. | Wheel Assembly—Steering | 1404 | 49. | Plug—Steering Gear Housing Pipe | 1403 |
| 6. | Cup—Worm Shaft Bearing (Lower) | 1403 | 26. | Nut—Steering Wheel Spider | 1403 | 50. | Bushing—Steering Gear Sector Shaft | 1403 |
| 7. | Cone—Worm Shaft Bearing (Lower) | 1403 | 27. | Washer—Horn Button Contact | 0609 | 51. | Bushing—Steering Gear Sector Shaft | 1403 |
| 8. | Worm | | 28. | Spring—Horn Button Contact | 0609 | 52. | Button—Steering Worm Deflection | 1403 |
| 9. | Sector & Pin Assembly } See Mating Gear Assembly | 1403 | 29. | Segments—Horn Button Base Plate & Retaining | 0609 | 53. | Nut—Steering Gear Adjusting Screw | 1403 |
| 10. | Spacer—Worm Shaft Bearing | 1403 | 30. | Ferrule—Horn Button Insulating | 0609 | 54. | Screw—Steering Gear Adjusting | 1403 |
| 11. | Cone—Worm Shaft Bearing (Upper) | 1403 | 31. | Screws—Horn Button Wood | 0609 | 55. | Washer—Steering Gear Adjusting Screw Nut | 1403 |
| 12. | Cup—Worm Shaft Bearing (Upper) | 1403 | 32. | Wire Complete—Horn Button Contact | 0609 | 56. | Cover—Steering Gear Housing | 1403 |
| 13. | Retainer—Worm Shaft Bearing Oil Seal (Upper) | 1403 | 33. | Cup—Horn Button Contact (Lower) | 0609 | 57. | Bushing—Steering Gear Housing Cover Threaded | 1403 |
| 14. | Seal—Worm Shaft Bearing (Upper) | 1403 | 34. | Spring—Horn Button | 0609 | 58. | Bolt—Steering Gear Housing Cover | 1403 |
| 15. | Plate—Worm Shaft Bearing Oil Seal (Upper) | 1403 | 35. | Cup—Horn Button Contact (Upper) | 0609 | 59. | Gasket—Steering Gear Housing Cover | 1403 |
| 16. | Shim—Worm Shaft Bearing Adjusting Nut | 1403 | 36. | Button—Horn | 0609 | 60. | Washer—Steering Gear Housing Cover Bolt Nut | 1403 |
| 17. | Shim—Worm Shaft Bearing Adjusting Nut | 1403 | 37. | Plate—Horn Button Name | 0609 | 61. | Nut—Steering Gear Housing Cover Bolt | 1403 |
| 18. | Shim—Worm Shaft Bearing Adjusting Nut | 1403 | 38. | Cotter—Sector Nut | 1403 | | | |
| 19. | Shim—Worm Shaft Bearing Adjusting Nut | 1403 | 39. | Nut—Sector | 1403 | | | |
| 20. | Lock—Worm Shaft Bearing Adjusting Nut | 1403 | 40. | Lever—Steering Gear | 1403 | | | |
| | | | 41. | Retainer—Steering Gear Sector Shaft Oil Seal | 1403 | | | |
| | | | 42. | Seal—Steering Gear Sector Shaft Oil | 1403 | | | |
| | | | 43. | Stud—Steering Gear Lever Ball | 1403 | | | |
| | | | 44. | Nut—Steering Gear Lever Ball Stud | 1403 | | | |

| Group No. | Part No. | Description | No. Req'd |
|---|------------|--|-----------|
| 1403 - STEERING GEAR ASSEMBLY (Cont'd) | | | |
| | 10 EB 122 | Button, Steering Worm Deflection | 1 |
| | 12 KFA 15A | Gear, Mating, Assembly | 1 |
| | 14 KFA 35 | Housing, Steering Gear, Assembly | 1 |
| | 15 KF 32 | Cover, Steering Gear Housing | 1 |
| | 20 KF 11 | Screw, Steering Gear Adjusting | 1 |
| | 33 KFA 15 | Tube, Horn Wire, Assembly | 1 |
| | 36 KF 12 | Bushing, Jacket Tube | 1 |
| | 48 KF 12 | Nut, Steering Wheel Spider | 1 |
| | 49 KF 12 | Bushing, Steering Gear Cover Threaded | 1 |
| | 53 KF 12 | Lock, Worm Shaft Bearing Cover Screw | 1 |
| | 1 AX 7 | Bolt, Steering Gear Housing Cover (3/8"-24x11/16") | 6 |
| | 4 AX 221 | Screw, Worm Shaft Bearing Cover (5/16"-18) | 2 |
| | 21 AX 56 | Nut, Steering Gear Adjusting Screw (3/4"-16x7/16") | 1 |
| | 21 AX 208 | Nut, Sector (1-1/8-12) | 1 |
| | 37 AX 38 | Washer, Steering Gear Adjusting Screw Nut (49/64") | 1 |
| | 62 AX 202 | Cone, Worm Shaft Bearing (Timken #07100) | 2 |
| | 63 AX 3 | Plug, Steering Gear Housing Pipe (1/8") | 1 |
| | 63 AX 45 | Plug, Steering Gear Housing Drain (3/8") | 1 |
| | 63 AX 149 | Plug, Steering Gear Housing Filler (3/8") | 1 |
| | 64 AX 109 | Cup, Worm Shaft Bearing (Lower) (Timken #07196) | 1 |
| | 64 AX 110 | Cup, Worm Shaft Bearing (Upper) (Timken #07204) | 1 |
| | 88 AX 127 | Seal, Steering Gear Sector Oil (1-3/8"x1-5/8"x5/16") | 1 |
| | 88 AX 42 | Seal, Worm Shaft Oil (Upper) (1"x1-19/32"x5/16") | 1 |
| | 88 AX 86 | Seal, Worm Shaft Oil (Lower) (9/16"x1-1/4"x13/32") | 1 |

1404 - STEERING WHEEL

| | | | |
|--|-------------|---------------------------|---|
| | 12 QC 41-P8 | Wheel, Steering, Assembly | 1 |
|--|-------------|---------------------------|---|

1405 - STEERING GEAR BRACKETS

| | | | |
|--|-------------|--|---|
| | 4 QC 224 | Bracket, Steering Post (EHU & EHUT) | 1 |
| | 4 QC 222 | Bracket, Steering Post (EH & EHT) | 1 |
| | 87 AX 5 | Rubber, Steering Post Bracket (1-1/2"x2-5/16"x1-5/8") | 1 |
| | 15 QC 11-P1 | Cap, Steering Column Bracket | 1 |
| | 1 AX 19 | Bolt, Steering Post Bracket Mounting (5/16"-24x7/8") | 2 |
| | 20 AX 2 | Nut, Steering Post Bracket Mounting Bolt (5/16"-24) | 2 |
| | 36 AX 2 | Washer, Steering Post Bracket Mounting Bolt Nut (5/16") | 2 |
| | 130 AX 273 | Bolt, Steering Post Bracket Clamp (5/16"-18x1") | 2 |
| | 22 AX 1 | Nut, Steering Post Bracket Clamp Bolt (5/16"-18) | 2 |
| | 36 AX 22 | Washer, Steering Post Bracket Clamp Bolt Nut (5/16") | 2 |
| | 44 RU 1200 | Spacer, Steering Column Bracket (EHU & EHUT) | 1 |
| | 15 EJ 323 | Gusset, Steering Post Bracket (EH & EHT) | 1 |
| | 25 QC 31 | Gusset, Steering Post Bracket (EHU & EHUT) | 1 |
| | 1 AX 160 | Bolt, Steering Post Bracket Gusset (EH & EHT) (3/8"-24 x 5/8") | 2 |
| | 1 AX 33 | Bolt, Steering Post Bracket Gusset (EHU & EHUT) (3/8"-24 x 7/8") | 2 |
| | 20 AX 3 | Nut, Steering Post Bracket Gusset Bolt (3/8"-24) | 2 |
| | 36 AX 3 | Washer, Steering Post Bracket Gusset Bolt Nut (3/8") | 2 |
| | 37 AX 66 | Washer, Steering Post Bracket Gusset Bolt Nut (EHU & EHUT) (13/32") | 2 |
| | 6 QCA 12 | Bracket Assembly, Steering Gear Frame (EHU & EHUT) | 1 |

| Group No. | Part No. | Description | No. Req'd |
|-----------|----------|-------------|-----------|
|-----------|----------|-------------|-----------|

1405 - STEERING GEAR BRACKETS (Cont'd)

| | | |
|-------------|---|---|
| 14 EHA 224A | Bracket Assembly, Steering Gear Frame (EH & EHT) | 1 |
| 1 AX 97 | Screw, Steering Gear Frame Bracket & Cap (EH & EHT) (5/8"-18 x 2-1/4") | 2 |
| 36 AX 7 | Washer, Steering Gear Frame Bracket & Cap Screw (EH & EHT) (.655") | 2 |
| 4 AX 244 | Screw, Steering Gear Frame Bracket & Cap (EHU & EHUT) (1/2"-13 x 1-3/4") | 2 |
| 36 AX 7 | Washer, Steering Gear Frame Bracket & Cap Screw (EHU & EHUT) (.655") | 2 |

15 - FRAME AND BRACKETS

1503 - SPRING BRACKETS, HANGERS AND HORNS

| | | |
|-------------|---|---|
| ★53 QK 43 | Bracket, Front Spring Front RH | 1 |
| ★53 QK 44 | Bracket, Front Spring Front LH | 1 |
| ⊕53 QK 430 | Bracket, Front Spring Front RH | 1 |
| ⊕53 QK 431 | Bracket, Front Spring Front LH | 1 |
| ★14 BC 2131 | Cap, Front Spring Front Bracket | 2 |
| ⊕14 BG 210B | Cap, Front Spring Front Bracket | 2 |
| ★ 4 AX 114 | Bolt, Front Spring Front Bracket Cap (1/2"-13x2-3/8") | 6 |
| ⊕ 4 AX 238 | Bolt, Front Spring Front Bracket Cap (7/16"-14x2-3/4") | 6 |
| ★36 AX 5 | Washer, Front Spring Front Bracket Cap Bolt (0.515) | 6 |
| ⊕36 AX 4 | Washer, Front Spring Front Bracket Cap Bolt (0.453) | 6 |
| ★24 AX 190 | Rivet, Front Spring Front Bracket & Frame (3/8"x1-1/8") | 8 |
| ⊕24 AX 12 | Rivet, Front Spring Front Bracket & Frame (1/2"x1-1/2") | 6 |
| ⊕24 AX 108 | Rivet, Front Spring Front Bracket & Frame (1-5/8" x 3/8" x 7/8") | 4 |
| ★51 QK 43 | Bracket, Front Spring Rear RH | 1 |
| ★51 QK 44 | Bracket, Front Spring Rear LH | 1 |
| □51 QK 37 | Bracket, Front Spring Rear RH | 1 |
| □51 QK 38 | Bracket, Front Spring Rear LH | 1 |
| ⊕14 BG 315A | Bracket, Front Spring Rear RH | 1 |
| ⊕14 BG 316A | Bracket, Front Spring Rear LH | 1 |
| ★52 QK 21 | Cap, Front Spring Rear Bracket | 2 |
| ⊕52 QK 210 | Cap, Front Spring Rear Bracket | 2 |
| ★ 4 AX 114 | Bolt, Front Spring Rear Bracket Cap (1/2"-13x2-3/8") | 6 |
| ⊕ 4 AX 8 | Bolt, Front Spring Rear Bracket Cap (7/16"-14x1-3/4") | 2 |
| ⊕ 4 AX 108 | Bolt, Front Spring Rear Bracket Cap (7/16"-14x2-1/4") | 4 |
| ★36 AX 5 | Washer, Front Spring Rear Bracket Cap Bolt (0.515) | 6 |
| ⊕36 AX 4 | Washer, Front Spring Rear Bracket Cap Bolt (0.453) | 6 |
| ★24 AX 12 | Rivet, Front Spring Rear Bracket & Frame (1/2"x1-1/2") | 4 |
| ★24 AX 109 | Rivet, Front Spring Rear Bracket & Frame (1/2"x1-7/8") | 2 |
| □24 AX 12 | Rivet, Front Spring Rear Bracket & Frame (1/2"x1-1/2") | 4 |
| □24 AX 22 | Rivet, Front Spring Rear Bracket & Frame (1/2" x 2") | 4 |
| ⊕24 AX 12 | Rivet, Front Spring Rear Bracket & Frame (1/2"x1-1/2") | 5 |
| ⊕24 AX 22 | Rivet, Front Spring Rear Bracket & Frame (1/2"x2") | 1 |
| 47 QK 35 | Bracket, Rear Spring Front RH | 1 |
| 47 QK 36 | Bracket, Rear Spring Front LH | 1 |
| 14 BG 22 | Cap, Rear Spring Front Bracket | 2 |
| 4 AX 57 | Bolt, Rear Spring Front Bracket Cap (7/16"-24x2") | 8 |
| 36 AX 4 | Washer, Rear Spring Front Bracket Cap Bolt (0.453) | 8 |
| 24 AX 119 | Rivet, Rear Spring Front Bracket & Frame (5/8"x2-1/8") | 8 |

★ - Used on Models EHU and EHUT

⊕ - Used on Models EH and EHT

□ - Used on Model EHT only

⊕ - Used on Model EH except Tractor

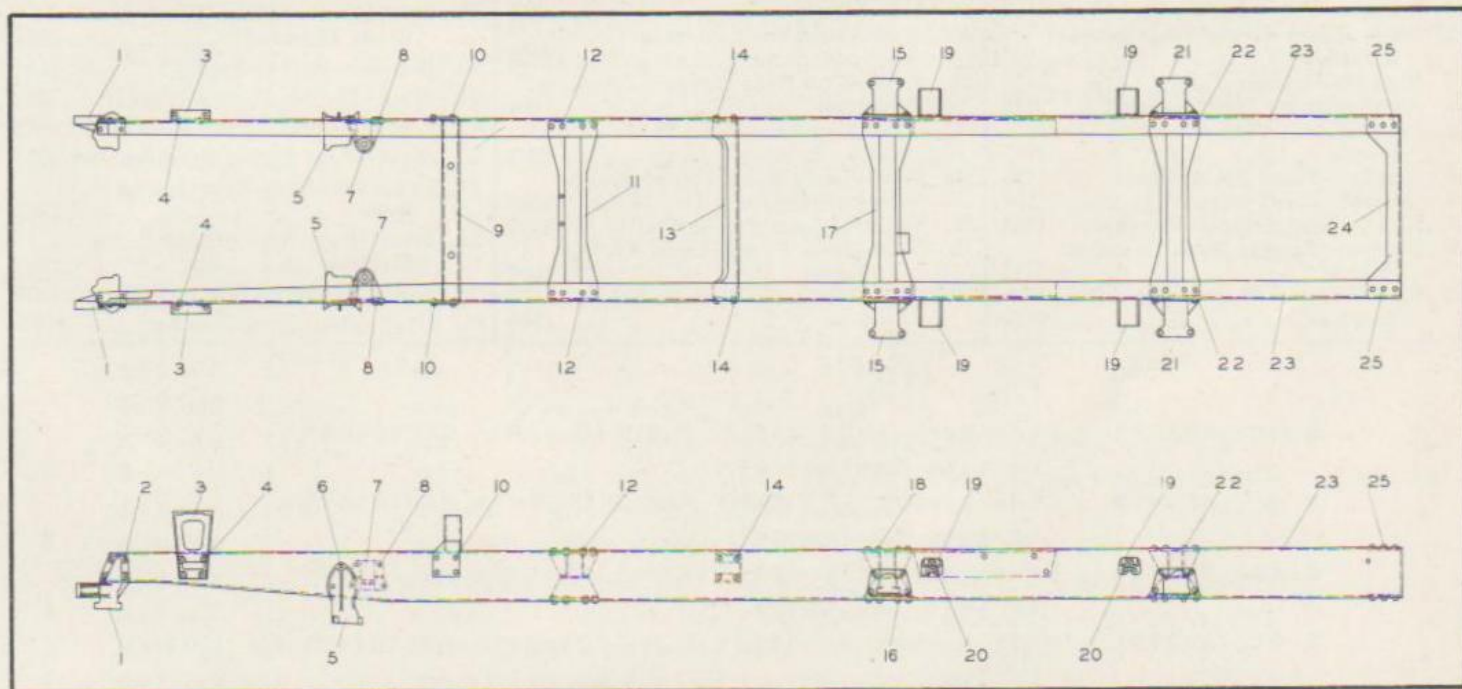
1503
1505

| Group No. | Part No. | Description | No. Req'd |
|--|----------|---|-----------|
| 1503 - SPRING BRACKETS, HANGERS & HORNS (Cont'd) | | | |
| 48 QK | 35 | Bracket, Rear Spring Rear RH | 1 |
| 48 QK | 36 | Bracket, Rear Spring Rear LH | 1 |
| 14 BG | 23A | Cap, Rear Spring Rear Bracket | 2 |
| 4 AX | 57 | Bolt, Rear Spring Bracket Cap (7/16"-14x2") | 8 |
| 36 AX | 4 | Washer, Rear Spring Rear Bracket Cap Bolt (0.453) | 8 |
| 24 AX | 119 | Rivet, Rear Spring Rear Bracket & Frame (5/8"x2-1/8") | 8 |
| 14 EH | 22 | Bracket, Helper Spring (Except EHU1D1425-1494 Incl. & EHT1D1224-1303 Incl.) | 4 |
| 49 QK | 21 | Bracket, Helper Spring (Used on EHU1D1425 to 1494 Incl., and EHT1D1224 to 1303 Incl.) | 4 |
| 24 AX | 22 | Rivet, Helper Spring Bracket (Front) (1/2" x 2") | 6 |
| 24 AX | 15 | Rivet, Helper Spring Bracket (Rear) (1/2"x1-3/4") | 6 |
| 1504 - FENDER AND RUNNING BOARD BRACKETS (EH and EHT) | | | |
| 15 QM | 416-P1 | Support, Front Fender RH | 1 |
| 15 QM | 417-P1 | Support, Front Fender LH | 1 |
| 1 AX | 33 | Bolt, Front Fender Support (3/8"-24x7/8") | 8 |
| 20 AX | 3 | Nut, Front Fender Support Bolt (3/8"-24) | 8 |
| 36 AX | 3 | Washer, Front Fender Support Bolt (3/8") | 8 |
| 15 EM | 24 | Support, Running Board | 4 |
| 1 AX | 35 | Bolt, Running Board Support (3/8"-24x1") | 16 |
| 20 AX | 3 | Nut, Running Board Support Bolt (3/8"-24) | 16 |
| 36 AX | 3 | Washer, Running Board Support (3/8") | 16 |
| Rear Quarter Fender Brackets (Tractor) | | | |
| 15 EH | 236A | Bracket, Rear Quarter Fender (Lower) RH | 1 |
| 15 EH | 237A | Bracket, Rear Quarter Fender (Lower) LH | 1 |
| 15 EH | 362 | Bracket, Rear Quarter Fender (Upper) RH | 1 |
| 15 EH | 363 | Bracket, Rear Quarter Fender (Upper) LH | 1 |
| 6 AX | 117 | Bolt, Fender to Bracket (1/4"-20 x 3/4") | 12 |
| 36 AX | 1 | Washer, Fender to Bracket (1/4") | 12 |
| 1 AX | 230 | Bolt, Fender to Frame Bracket (1/2"-20x1-1/8") | 4 |
| 20 AX | 5 | Nut, Fender to Frame Bracket (1/2"-20) | 4 |
| 36 AX | 5 | Washer, Fender to Frame Bracket (0.515) | 4 |
| 18 AX | 258 | Stud, Lower Bracket (7/16"-20x3-3/16") | 4 |
| 20 AX | 4 | Nut, Lower Bracket (7/16"-20) | 4 |
| 36 AX | 4 | Washer, Lower Bracket (0.453) | 4 |
| 1505 - SPARE WHEEL CARRIER | | | |
| 1 REA | 413 | Carrier Assembly, Tire | 1 |
| 16 RE | 210 | Hanger, Spare Tire (Front) | 1 |
| 16 RE | 211 | Hanger, Spare Tire (Rear) | 1 |
| 17 RE | 221 | Strap, Tire Carrier Rim Support (Upper) | 1 |
| 17 RE | 222 | Strap, Tire Carrier Rim Support (Lower) | 1 |
| 21 RE | 13-P6 | Bolt, Tire Carrier Hold Down | 2 |
| 1 AX | 230 | Bolt, Tire Carrier Mounting (1/2"-20x1-1/8") | 8 |
| 20 AX | 5 | Nut, Tire Carrier Mounting Bolt (1/2"-20) | 8 |
| 36 AX | 5 | Washer, Tire Carrier Mounting Bolt (0.515) | 8 |
| 20 AX | 7 | Nut, Tire Carrier Mounting Bolt (5/8"-18) | 2 |
| 36 AX | 7 | Washer, Tire Carrier Mounting Bolt (0.655) | 2 |

| Group No. | Part No. | Description | No. Req'd |
|-----------|----------|-------------|-----------|
|-----------|----------|-------------|-----------|

1506 - FRAME

| | | | |
|---|-------------|---|---|
| 1 | QLA 41206P1 | Frame Assembly (108" W.B. Tractor) (Chassis EHUT1D1304 to 1403 Inclusive) | 1 |
| 2 | QL 42049P1 | Side Member RH (108" W.B. Tractor) (Chassis EHUT1D1304 to 1403 Inclusive) | 1 |
| 2 | QL 42050P1 | Side Member LH (108" W.B. Tractor) (Chassis EHUT1D1304 to 1403 Inclusive) | 1 |
| 1 | QLAM41732 | Frame Assembly (114" W.B. Tractor) (Chassis EHUT1D1224 to 1303 Inclusive) | 1 |
| 2 | QLM 42986 | Side Member RH (114" W.B. Tractor) (Chassis EHUT1D1224 to 1303 Inclusive) | 1 |
| 2 | QLM 42987 | Side Member LH (114" W.B. Tractor) (Chassis EHUT1D1224 to 1303 Inclusive) | 1 |
| 1 | QLA 40272 | Frame Assembly (162" W.B.) (Chassis EHU1D1445 to 1494 Inclusive) | 1 |

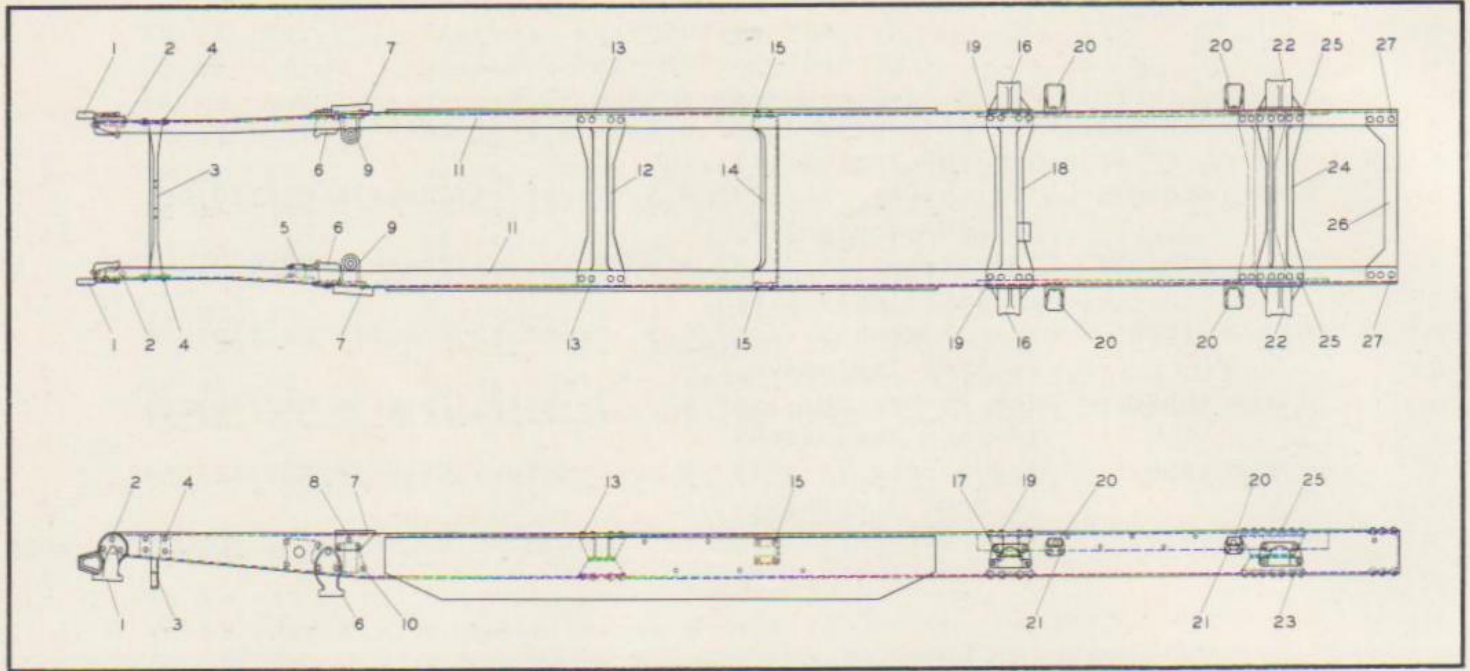


| Ref. No. | PART NAME | Govt. Group | Ref. No. | PART NAME | Govt. Group | Ref. No. | PART NAME | Govt. Group |
|----------|--|-------------|----------|---|-------------|----------|--------------------------------------|-------------|
| 1. | Bracket—Front Spring Front | 1503 | 9. | Channel—Cab Support | 1506 | 17. | Cross Member—Rear Spring Front | 1506 |
| 2. | Rivet—Front Spring Front Bracket and Frame | 1503 | 10. | Bolts—Cab Support Channel | 1506 | 18. | Rivet—Rear Spring Front Cross Member | 1506 |
| 3. | Bracket—Cowl Mounting | 1800 | 11. | Cross Member—Cab Rear Support | 1506 | 19. | Bracket—Helper Spring | 1503 |
| 4. | Bolt—Cowl Mounting Bracket | 1800 | 12. | Rivet—Cab Rear Support Cross Member | 1506 | 20. | Rivet—Helper Spring Bracket | 1503 |
| 5. | Bracket—Front Spring Rear | 1503 | 13. | Cross Member—Drive Shaft Center Bearing | 1506 | 21. | Bracket—Rear Spring Rear | 1503 |
| 6. | Rivet—Front Spring Rear Bracket & Frame | 1503 | 14. | Rivet—Drive Shaft Center Bearing Cross Member | 1506 | 22. | Rivet—Rear Spring Rear Bracket | 1503 |
| 7. | Bracket—Engine Rear Support Frame | 0110 | 15. | Bracket—Rear Spring Front | 1503 | 23. | Side Member | 1506 |
| 8. | Rivet—Engine Rear Support Frame Bracket | 0110 | 16. | Rivet—Rear Spring Front Bracket & Frame | 1503 | 24. | Cross Member—Rear | 1506 |
| | | | | | | 25. | Rivet—Rear Cross Member | 1506 |

1506

| Group No. | Part No. | Description | No. Req'd |
|-----------|----------|-------------|-----------|
|-----------|----------|-------------|-----------|

1506 - FRAME (Cont'd)



| Ref. No. | PART NAME | Govt. Group | Ref. No. | PART NAME | Govt. Group | Ref. No. | PART NAME | Govt. Group |
|----------|--|-------------|----------|---|-------------|----------|--------------------------------------|-------------|
| 1. | Bracket—Front Spring Front | 1503 | 11. | Side Member | 1506 | 19. | Rivet—Rear Spring Front Cross Member | 1506 |
| 2. | Rivet—Front Spring Front Bracket & Frame | 1503 | 12. | Cross Member—Cab Rear Support | 1506 | 20. | Bracket—Helper Spring | 1503 |
| 3. | Support—Engine Front | 0110 | 13. | Rivet—Cab Rear Support Cross Member | 1506 | 21. | Rivet—Helper Spring Bracket | 1503 |
| 4. | Rivet—Engine Front Support | 0110 | 14. | Cross Member—Drive Shaft Center Bearing | 1506 | 22. | Bracket—Rear Spring Rear | 1503 |
| 5. | Bracket Assembly—Steering Gear Frame | 1405 | 15. | Rivet—Drive Shaft Center Bearing Cross Member | 1506 | 23. | Rivet—Rear Spring Rear Bracket | 1503 |
| 6. | Bracket—Front Spring Rear | 1503 | 16. | Bracket—Rear Spring Front | 1503 | 24. | Cross Member—Rear Spring Rear | 1506 |
| 7. | Bracket—Cowl Support | 1506 | 17. | Rivet—Rear Spring Front Bracket & Frame | 1503 | 25. | Rivet—Rear Spring Rear Cross Member | 1506 |
| 8. | Rivet—Cowl Support Bracket | 1506 | 18. | Cross Member—Rear Spring Front | 1506 | 26. | Cross Member—Rear | 1506 |
| 9. | Bracket—Engine Rear Support Frame | 0110 | | | | 27. | Rivet—Rear Cross Member | 1506 |
| 10. | Rivet—Engine Rear Support Frame Bracket | 0110 | | | | | | |

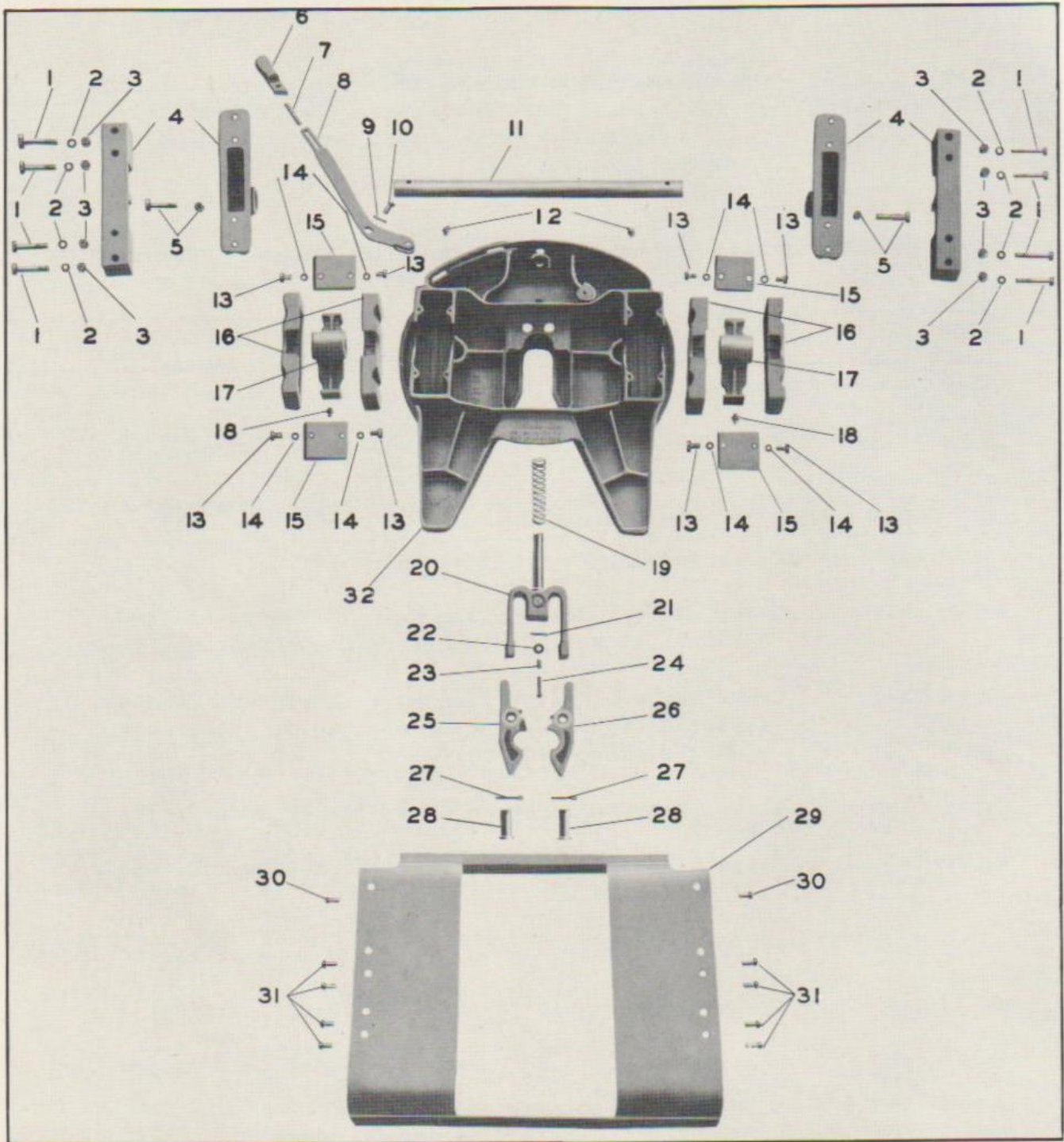
| | | | | |
|---|-----|---------|--|---|
| 2 | QL | 4237P2 | Side Member RH (162" W.B.) (Chassis EHU1D1445 to 1494 Inclusive) | 1 |
| 2 | QL | 4238P4 | Side Member LH (162" W.B.) (Chassis EHU1D1445 to 1494 Inclusive) | 1 |
| 1 | QLA | 40271 | Frame Assembly (144" W.B.) (Chassis EHU1D1425 to 1444 Inclusive) | 1 |
| 2 | QL | 4237P1 | Side Member RH (144" W.B.) (Chassis EHU1D1425 to 1444 Inclusive) | 1 |
| 2 | QL | 4238P3 | Side Member LH (144" W.B.) (Chassis EHU1D1425 to 1444 Inclusive) | 1 |
| 1 | QLA | 41190P1 | Frame Assembly (141" W.B. Tractor) (Chassis EHT1D2303 to 2392 Inclusive) | 1 |
| 2 | QL | 42002P1 | Side Member RH (141" W.B. Tractor) (Chassis EHT1D2303 to 2392 Inclusive) | 1 |
| 2 | QL | 42003P1 | Side Member LH (141" W.B. Tractor) (Chassis EHT1D2303 to 2392 Inclusive) | 1 |
| 1 | QLA | 4191AP5 | Frame Assembly (146" W.B. Tractor) (Chassis EHT1D2273 to 2302 and EHT1D2393 to 2412 Inclusive) | 1 |
| 2 | QL | 4174AP2 | Side Member RH (146" W.B. Tractor) (Chassis EHT1D2273 to 2302 and EHT1D2393 to 2412 Inclusive) | 1 |

| Group No. | Part No. | Description | No. Req'd |
|-----------|-----------------------|--|-----------|
| | 1506 - FRAME (Cont'd) | | |
| 2 | QL 4175AP3 | Side Member LH (146" W.B. Tractor) (Chassis EHT1D2273 to 2302 and EHT1D2393 to 2412 Inclusive) | 1 |
| 1 | QLA 4190AP13 | Frame Assembly (158" W.B.) (Standard) (Chassis EH1D3869 to 3888 Inclusive) | 1 |
| 2 | QL 4176AP1 | Side Member RH (158" W.B.) (Standard) (Chassis EH1D3869 to 3888 Inclusive) | 1 |
| 2 | QL 4177AP5 | Side Member LH (158" W.B.) (Standard) (Chassis EH1D3869 to 3888 Inclusive) | 1 |
| 1 | QLA 4190AP16 | Frame Assembly (194" W.B.) (Standard) (Chassis EH1S2637 to 2831 Inclusive) | 1 |
| 2 | QL 4176AP4 | Side Member RH (194" W.B.) (Standard) (Chassis EH1S2637 to 2831 Inclusive) | 1 |
| 2 | QL 4177AP8 | Side Member LH (194" W.B.) (Standard) (Chassis EH1S2637 to 2831 Inclusive) | 1 |
| 1 | QLA 4190AP15 | Frame Assembly (176" W.B.) (Standard) (Chassis EH1S2865 to 3039 Inclusive) | 1 |
| 2 | QL 4176AP3 | Side Member RH (176" W.B.) (Standard) (Chassis EH1S2865 to 3039 Inclusive) | 1 |
| 2 | QL 4177AP7 | Side Member LH (176" W.B.) (Standard) (Chassis EH1S2865 to 3039 Inclusive) | 1 |
| 1 | QLA 41189P7 | Frame Assembly (158" W.B.) (Standard) (Chassis EH1S3040 to 3072 Inclusive) | 1 |
| 2 | QL 42014P3 | Side Member RH (158" W.B.) (Standard) (Chassis EH1S3040 to 3072 Inclusive) | 1 |
| 2 | QL 42015P3 | Side Member LH (158" W.B.) (Standard) (Chassis EH1S3040 to 3072 Inclusive) | 1 |
| 1 | QLAM 41724 | Frame Assembly (164" W.B.) (Standard) (Chassis EH1S2833 to 2855 Inclusive) | 1 |
| 2 | QLM 42968 | Side Member RH (164" W.B.) (Standard) (Chassis EH1S2833 to 2855 Inclusive) | 1 |
| 2 | QLM 42969 | Side Member LH (164" W.B.) (Standard) (Chassis EH1S2833 to 2855 Inclusive) | 1 |
| 1 | QLAM 41724P1 | Frame Assembly (164" W.B.) (Standard) (Chassis EH1S2856 to 2864 Inclusive) | 1 |
| 2 | QLM 42968P1 | Side Member RH (164" W.B.) (Standard) (Chassis EH1S2856 to 2864 Inclusive) | 1 |
| 2 | QLM 42969P1 | Side Member LH (164" W.B.) (Standard) (Chassis EH1S2856 to 2864 Inclusive) | 1 |
| 1 | QLA 4190AP13 | Frame Assembly (158" W.B.) (Standard) (Chassis EH1D3924 to 3943 Inclusive) | 1 |
| 2 | QL 4176AP1 | Side Member RH (158" W.B.) (Standard) (Chassis EH1D3924 to 3943 Inclusive) | 1 |
| 2 | QL 4177AP5 | Side Member LH (158" W.B.) (Standard) (Chassis EH1D3924 to 3943 Inclusive) | 1 |
| 1 | QLAM 41727 | Frame Assembly (164" W.B.) (Standard) (Chassis EH1D3889 to 3906 Inclusive) | 1 |
| 2 | QLM 42976 | Side Member RH (164" W.B.) (Standard) (Chassis EH1D3889 to 3906 Inclusive) | 1 |
| 2 | QLM 42977 | Side Member LH (164" W.B.) (Standard) (Chassis EH1D3889 to 3906 Inclusive) | 1 |
| 1 | QLA 41189P7 | Frame Assembly (158" W.B.) (Standard) (Chassis EH1D3907 to 3923 Inclusive) | 1 |
| 2 | QL 42014P3 | Side Member RH (158" W.B.) (Standard) (Chassis EH1D3907 to 3923 Inclusive) | 1 |

| Group No. | Part No. | Description | No. Req'd |
|-----------|----------|--|-----------|
| 2 QL | 42015P3 | Side Member LH(158" W.B.) (Standard) (Chassis EH1D3907 to 3923 Inclusive) | 1 |
| 87 QS | 21 | Channel, Cab Support (Models EHU and EHUT) | 1 |
| 1 AX | 35 | Bolt, Cab Support Channel (Models EHU & EHUT) (3/8"-24x1) | 4 |
| 3 AX | 527 | Bolt, Cab Support Channel (Models EHU & EHUT) (3/8"-24 x 1-1/2") | 1 |
| 3 AX | 85 | Bolt, Cab Support Channel (Models EHU & EHUT) (3/8"-24 x 1") | 3 |
| 20 AX | 3 | Nut, Cab Support Channel (Models EHU & EHUT) (3/8"-24) | 8 |
| 36 AX | 3 | Washer, Cab Support Channel (Models EHU & EHUT) (3/8") | 8 |
| 14 EM | 35 | Cross Member, Cab Rear Support (For EHU, EHUT, EHT1D2303 to 2392, EH1S3040 to 3072, EH1S2833 to 2864 and EH1D3889 to 3923) | 1 |
| 14 EH | 39 | Cross Member, Cab Rear Support (Except the models listed on 14 EM 35) | 1 |
| 24 AX | 186 | Rivet, Cab Rear Support Cross Member (3/8" x 1") | 16 |
| 14 EH | 349 | Bracket, Cowl Support (Models EHU and EHUT) | 2 |
| 15 EH | 23A | Bracket, Cowl Support RH (Models EH and EHT) | 1 |
| 15 EH | 24A | Bracket, Cowl Support LH (Models EH and EHT) | 1 |
| 1 AX | 35 | Bolt, Cowl Support Bracket (Models EHU & EHUT) (3/8"-24x1") | 8 |
| 20 AX | 3 | Nut, Cowl Support Bracket Bolt (Models EHU & EHUT) (3/8"-24) | 8 |
| 36 AX | 3 | Washer, Cowl Support Bracket Bolt (Models EHU & EHUT) (3/8") | 8 |
| 24 AX | 12 | Rivet, Cowl Support Bracket Bolt (Models EH and EHT) (1/2" x 1-1/2") | 2 |
| 24 AX | 108 | Rivet, Cowl Support Bracket (Models EH and EHT) (1-5/8" x 3/8" x 7/8") | 2 |
| 24 AX | 109 | Rivet, Cowl Support Bracket (Models EH and EHT) (1/2" x 1-7/8") | 4 |
| 14 EM | 32 | Cross Member, Rear Spring Front (Chassis EHUT1D1304 to 1403) | 1 |

| Group No. | Part No. | Description | No. Req'd |
|-----------|----------|---|-----------|
| 14 EM | 33 | Cross Member, Rear Spring Front (Chassis EHUT1D1224) to 1303 and all EHU1D Chassis) (Also EHT1D2303 to 2392, EH1S3040 to 3072, EH1S2833 to 2864 and EH1D3889 to 3923) | 1 |
| 8 QL | 345P2 | Cross Member, Rear Spring Front (Chassis EHT1D2273 to 2302 and EHT1D2393 to 2412) | 1 |
| 14 EH | 311 | Cross Member, Rear Spring Front (Chassis EH1D3869 to 3888, EH1S2637 to 2831, EH1S2865 to 3039) (EH1D3924 to 3943) | 1 |
| 24 AX | 186 | Rivet, Rear Spring Front Cross Member (3/8" x 1") | 16 |
| 8 QL | 381 | Cross Member, Rear Spring Rear (EHUT) (EHT1D2303 to 2392) | 1 |
| 14 EM | 33 | Cross Member, Rear Spring Rear (EHU) | 1 |
| 14 EH | 311 | Cross Member, Rear Spring Rear (EH1D3869 to 3888, EH1S2637 to 2831, EH1S2865 to 3039, EH1D3924 to 3943) | 1 |
| 14 EH | 312 | Cross Member, Rear Spring Rear (EHT1D2273 to 2302, EHT1D2393 to 2412, EH1S3040 to 3072, EH1S2833 to 2864) (EH1D3889 to 3923) | 1 |
| 24 AX | 186 | Rivet, Rear Spring Rear Cross Member (3/8" x 1") | 16 |
| 14 EH | 310 | Cross Member, Drive Shaft Center Bearing (Except EHUT and EHT1D2303 to 2392) | 1 |
| 24 AX | 186 | Rivet, Drive Shaft Center Bearing Cross Member (3/8"x1") | 8 |
| 14 EM | 34 | Cross Member, Rear (Chassis EHU1D1425 to 1494) | 1 |
| 14 EH | 38 | Cross Member, Rear (Chassis EH1S2637 to 2831 and EH1S2865 to 3039) | 1 |
| 24 AX | 186 | Rivet, Rear Cross Member (3/8" x 1") | 12 |
| 1 RU | 2135 | Angle, Frame Reinforcing (For 5th Wheel Mounting) (For Tractors) (Except EH1D3889 to 3906) | 2 |
| 37 QL | 295 | Angle, Frame Reinforcing RH (5th Wheel) (Chassis EH1S3889 to 3906) | 1 |
| 37 QL | 296 | Angle, Frame Reinforcing LH (5th Wheel) (Chassis EH1S3889 to 3906) | 1 |
| 24 AX | 108 | Rivet, Frame Reinforcing Angle (1-5/8"x3/8"x7/8") | 12 |

1507 - FIFTH WHEEL (TRAILERS)



| Ref. No. | PART NAME | Govt. Group | Ref. No. | PART NAME | Govt. Group | Ref. No. | PART NAME | Govt. Group |
|----------|-------------------------------|-------------|----------|-------------------------|-------------|----------|------------------------------|-------------|
| 1. | Bolt—Spacer | 1507 | 11. | Shaft | 1507 | 22. | Washer— $\frac{1}{16}$ " Cut | 1507 |
| 2. | Washer—Spacer | 1507 | 12. | Alemite Fittings | 1507 | 23. | Spacer—Yoke Pin | 1507 |
| 3. | Nut—Spacer | 1507 | 13. | Screw | 1507 | 24. | Pin—Yoke | 1507 |
| 4. | Spacer—Fifth Wheel | 1507 | 14. | Washer—Lock | 1507 | 25. | Jaw LH | 1507 |
| 4. | Bracket—Support | 1507 | 15. | Plate—Cover | 1507 | 26. | Jaw RH | 1507 |
| 5. | Bolt & Nut—Machine | 1507 | 16. | Blocks—Rubber | 1507 | 27. | Pin—Cotter | 1507 |
| 6. | Latch—Lever | 1507 | 17. | Bearing | 1507 | 28. | Pin—Jaw | 1507 |
| 7. | Spring—Lever Latch | 1507 | 18. | Alemite Fittings | 1507 | 29. | Plate—Skid | 1507 |
| 8. | Lever | 1507 | 19. | Spring—Yoke Compression | 1507 | 30. | Rivet—Skid Plate | 1507 |
| 9. | Pin—Cotter | 1507 | 20. | Yoke | 1507 | 31. | Rivet—Skid Plate | 1507 |
| 10. | Pin— $\frac{1}{2}$ " SAE Yoke | 1507 | 21. | Pin—Cotter | 1507 | 32. | Plate—Fifth Wheel | 1507 |

| Group No. | Part No. | Description | No. Req'd |
|-----------|----------|-------------|-----------|
|-----------|----------|-------------|-----------|

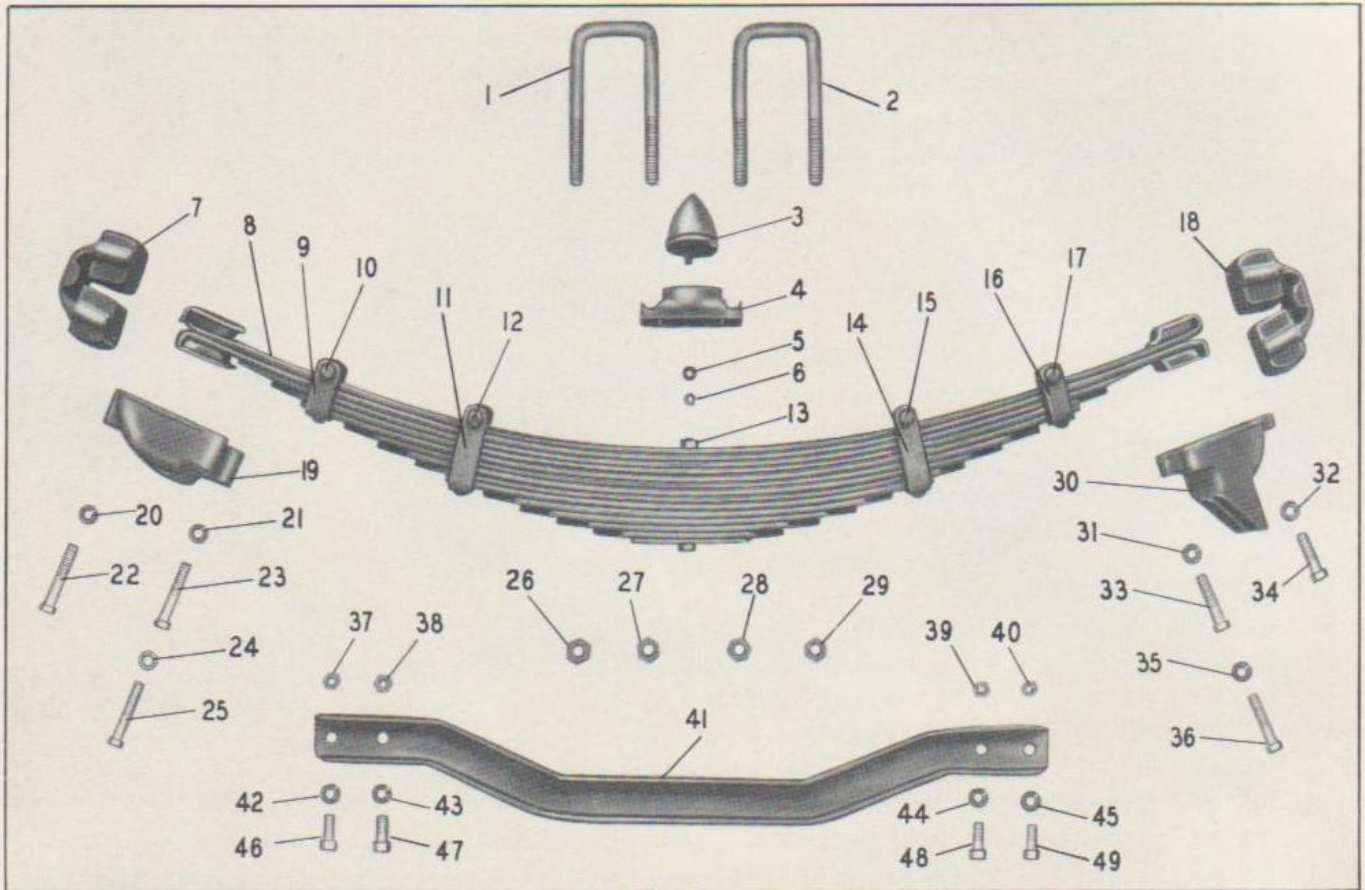
1507 - FIFTH WHEEL (TRAILERS) (Cont'd)

| | | | | |
|-------------------------------------|----|----------|---|----|
| 1 | RF | 33 | Fifth Wheel Assembly (Austin Model 1270A30) | 1 |
| Units of 1RF33 Fifth Wheel Assembly | | | | |
| 16 | ST | 379-22 | Plate, Name | 1 |
| 16 | ST | 379-1 | Plate, 5th Wheel. | 1 |
| 16 | ST | 379-2 | Yoke | 1 |
| 16 | ST | 379-3 | Lever | 1 |
| 16 | ST | 379-5 | Bearing | 2 |
| 22 | SX | 13 | Bracket, Support | 2 |
| 16 | ST | 379-7 | Plate, Cover | 4 |
| 16 | ST | 379-8 | Blocks, Rubber | 4 |
| 16 | ST | 379-9 | Jaw R.H. | 1 |
| 16 | ST | 379-10 | Jaw L.H. | 1 |
| 16 | ST | 379-11 | Shaft | 1 |
| 16 | ST | 379-12 | Pin, Jaw | 2 |
| 16 | ST | 379-13 | Pin, Yoke | 1 |
| 16 | ST | 379-14 | Spacer, Yoke Pin | 1 |
| 16 | ST | 379-17 | Spring, Lever Latch | 1 |
| 16 | ST | 379-16 | Spring, Yoke Compression | 1 |
| 16 | ST | 379-18 | Pin, 1/2" SAE Yoke | 1 |
| 1 | AX | 42 | Screw, 1/2"-20x1-1/4" Cap | 8 |
| 36 | AX | 5 | Washer, Lock (1/2") | 10 |
| 36 | AX | 4 | Washer, Lock (7/16") | 1 |
| 29 | AX | 19 | Pin, Cotter (1/4" x 2") | 2 |
| 29 | AX | 57 | Pin, Cotter (3/16" x 1") | 1 |
| 29 | AX | 12 | Pin, Cotter (1/8" x 1") | 1 |
| 12 | ST | 31000-33 | Bolt, Machine (1/2" x 3-3/4") | 2 |
| 44 | AX | 62 | #1610 Alemite Fittings | 2 |
| 44 | AX | 63 | #1611 Alemite Fittings | 2 |
| 16 | ST | 379-4 | Latch, Lever | 1 |
| 16 | ST | 379-15 | Clip, Ground | 1 |
| 16 | ST | 379-19 | Washer, 7/16" Cut | 1 |
| Fifth Wheel Mounting | | | | |
| 11 | RF | 22-P1 | Plate, Skid | 1 |
| 44 | RU | 229-P1 | Spacer, Fifth Wheel | 2 |
| 39 | QL | 221-P62 | Plate, Frame Tread | 2 |
| 1 | AX | 141 | Bolt, Spacer (5/8"-18 x 3-3/4") | 8 |
| 20 | AX | 7 | Nut, Spacer (5/8"-18) | 8 |
| 36 | AX | 7 | Washer, Spacer (0.655) | 8 |
| 24 | AX | 9 | Rivet, Skid Plate (3/8" x 1-1/8") | 8 |
| 24 | AX | 76 | Rivet, Skid Plate (3/8" x 1") | 2 |

16 - SPRINGS AND SHOCK ABSORBERS

1601 - FRONT AND REAR SPRINGS

Front Springs



| Ref. No. | PART NAME | Govt. Group | Ref. No. | PART NAME | Govt. Group | Ref. No. | PART NAME | Govt. Group |
|----------|-------------------------------------|-------------|----------|--|-------------|----------|--|-------------|
| 1. | Clip—Front Spring (Front) | 1602 | 20. | Lockwasher—Front Spring Bracket Cap Bolt | 1503 | 38. | Nut—Front Spring Rear Cross Member Bolt | 1503 |
| 2. | Clip—Front Spring (Rear) | 1602 | 21. | Lockwasher—Front Spring Bracket Cap Bolt | 1503 | 39. | Nut—Front Spring Rear Cross Member Bolt | 1503 |
| 3. | Bumper—Front Spring | 1602 | 22. | Bolt—Front Spring Bracket Cap | 1503 | 40. | Nut—Front Spring Rear Cross Member Bolt | 1503 |
| 4. | Spacer—Front Spring | 1602 | 23. | Bolt—Front Spring Bracket Cap | 1503 | 41. | Cross Member—Front Spring Rear | 1503 |
| 5. | Lockwasher—Front Spring Bumper Nut | 1602 | 24. | Lockwasher—Front Spring Bracket Cap Bolt | 1503 | 42. | Lockwasher—Front Spring Rear Cross Member Bolt Nut | 1503 |
| 6. | Nut—Front Spring Bumper | 1602 | 25. | Bolt—Front Spring Bracket Cap Bolt | 1503 | 43. | Lockwasher—Front Spring Rear Cross Member Bolt Nut | 1503 |
| 7. | Insulator—Front Spring Rubber Shock | 1602 | 26. | Nut—Front Spring Clip | 1602 | 44. | Lockwasher—Front Spring Rear Cross Member Bolt Nut | 1503 |
| 8. | Spring—Front | 1601 | 27. | Nut—Front Spring Clip | 1602 | 45. | Lockwasher—Front Spring Rear Cross Member Bolt Nut | 1503 |
| 9. | Clip—Front Spring Rebound (Short) | 1601 | 28. | Nut—Front Spring Clip | 1602 | 46. | Bolt—Front Spring Rear Cross Member | 1503 |
| 10. | Bolt—Front Spring Rebound Clip | 1601 | 29. | Nut—Front Spring Clip | 1602 | 47. | Bolt—Front Spring Rear Cross Member | 1503 |
| 11. | Clip—Front Spring Rebound (Long) | 1601 | 30. | Cap—Front Spring Bracket (Rear) | 1503 | 48. | Bolt—Front Spring Rear Cross Member | 1503 |
| 12. | Bolt—Front Spring Rebound Clip | 1601 | 31. | Lockwasher—Front Spring Bracket Cap Bolt | 1503 | 49. | Bolt—Front Spring Rear Cross Member | 1503 |
| 13. | Bolt—Front Spring Center | 1601 | 32. | Lockwasher—Front Spring Bracket Cap Bolt | 1503 | | | |
| 14. | Clip—Front Spring Rebound (Long) | 1601 | 33. | Bolt—Front Spring Bracket Cap | 1503 | | | |
| 15. | Bolt—Front Spring Rebound Clip | 1601 | 34. | Bolt—Front Spring Bracket Cap | 1503 | | | |
| 16. | Clip—Front Spring Rebound (Short) | 1601 | 35. | Lockwasher—Front Spring Bracket Cap Bolt | 1503 | | | |
| 17. | Bolt—Front Spring Rebound Clip | 1601 | 36. | Bolt—Front Spring Bracket Cap | 1503 | | | |
| 18. | Insulator—Front Spring Rubber Shock | 1602 | 37. | Nut—Front Spring Rear Cross Member Bolt | 1503 | | | |
| 19. | Cap—Front Spring Bracket (Front) | 1503 | | | | | | |

| Group No. | Part No. | Description | No. Req'd |
|-----------|----------|-------------|-----------|
|-----------|----------|-------------|-----------|

1601 - FRONT AND REAR SPRINGS (Cont'd)

Front Springs (Cont'd)

| | | | |
|---|------------|----------------------------|---|
| 2 | QK 2147 | Spring, Front (Model EH) | 2 |
| 2 | QK 2148 | Spring, Front (Model EHT) | 2 |
| 2 | QK 2157 | Spring, Front (Model EHU) | 2 |
| 2 | QK 2159-P1 | Spring, Front (Model EHUT) | 2 |

COMPONENT PARTS OF FRONT SPRINGS

- COLUMN #1 - 2QK2147 - MODEL EH
- COLUMN #2 - 2QK2148 - MODEL EHT
- COLUMN #3 - 2QK2157 - MODEL EHU
- COLUMN #4 - 2QK2159P1 - MODEL EHUT

| | | | No. Req'd | | | |
|-----|--------|------------|-----------|--------|--------|--------|
| | | | Col. 1 | Col. 2 | Col. 3 | Col. 4 |
| 222 | SU 111 | Leaf, Main | 1 | 1 | - | - |
| 222 | SU 163 | Leaf, Main | - | - | 1 | - |
| 222 | SU 167 | Leaf, Main | - | - | - | 1 |
| 222 | SU 112 | Leaf, 2nd | 1 | 1 | - | - |
| 222 | SU 164 | Leaf, 2nd | - | - | 1 | - |
| 222 | SU 168 | Leaf, 2nd | - | - | - | 1 |
| 233 | SU 77 | Leaf, 3rd | 1 | 1 | - | - |
| 233 | SU 95 | Leaf, 3rd | - | - | 1 | - |
| 233 | SU 107 | Leaf, 3rd | - | - | - | 1 |
| 231 | SU 233 | Leaf, 4th | 1 | - | - | - |
| 230 | SU 115 | Leaf, 4th | - | 1 | - | - |
| 231 | SU 279 | Leaf, 4th | - | - | 1 | - |
| 231 | SU 328 | Leaf, 4th | - | - | - | 1 |
| 230 | SU 82 | Leaf, 5th | 1 | - | - | - |
| 231 | SU 347 | Leaf, 5th | - | 1 | - | - |
| 230 | SU 97 | Leaf, 5th | - | - | 1 | - |
| 230 | SU 112 | Leaf, 5th | - | - | - | 1 |
| 231 | SU 340 | Leaf, 6th | 1 | - | - | - |
| 231 | SU 348 | Leaf, 6th | - | 1 | - | - |
| 231 | SU 280 | Leaf, 6th | - | - | 1 | - |
| 231 | SU 329 | Leaf, 6th | - | - | - | 1 |
| 231 | SU 341 | Leaf, 7th | 1 | - | - | - |
| 231 | SU 349 | Leaf, 7th | - | 1 | - | - |
| 231 | SU 281 | Leaf, 7th | - | - | 1 | - |
| 231 | SU 330 | Leaf, 7th | - | - | - | 1 |
| 231 | SU 342 | Leaf, 8th | 1 | - | - | - |
| 230 | SU 116 | Leaf, 8th | - | 1 | - | - |
| 231 | SU 282 | Leaf, 8th | - | - | 1 | - |
| 231 | SU 331 | Leaf, 8th | - | - | - | 1 |
| 230 | SU 114 | Leaf, 9th | 1 | - | - | - |
| 13 | EJM 51 | Leaf, 9th | - | 1 | - | - |
| 230 | SU 98 | Leaf, 9th | - | - | 1 | - |
| 231 | SU 332 | Leaf, 9th | - | - | - | 1 |
| 231 | SU 343 | Leaf, 10th | 1 | - | - | - |
| 13 | EMS 12 | Leaf, 10th | - | 1 | - | - |
| 231 | SU 283 | Leaf, 10th | - | - | 1 | - |
| 231 | SU 333 | Leaf, 10th | - | - | - | 1 |
| 231 | SU 344 | Leaf, 11th | 1 | - | - | - |
| 13 | BGM 99 | Leaf, 11th | - | 1 | - | - |
| 231 | SU 284 | Leaf, 11th | - | - | 1 | - |

1601

| Group No. | Part No. | Description | No. Req'd | | | |
|--|----------|-------------|-----------|--------|--------|--------|
| | | | Col. 1 | Col. 2 | Col. 3 | Col. 4 |
| 1601 - FRONT AND REAR SPRINGS (Cont'd) | | | | | | |
| COLUMN #1 - 2QK2147 - MODEL EH | | | | | | |
| COLUMN #2 - 2QK2148 - MODEL EHT | | | | | | |
| COLUMN #3 - 2QK2157 - MODEL EHU | | | | | | |
| COLUMN #4 - 2QK2159P1 - MODEL EHUT | | | | | | |

COMPONENT PARTS OF FRONT SPRINGS (Cont'd)

| | | | | | | | |
|-----|-----|------|---|---|---|---|---|
| 230 | SU | 113 | Leaf, 11th | - | - | - | 1 |
| 231 | SU | 345 | Leaf, 12th | 1 | - | - | - |
| 231 | SU | 285 | Leaf, 12th | - | - | 1 | - |
| 231 | SU | 334 | Leaf, 12th | - | - | - | 1 |
| 231 | SU | 346 | Leaf, 13th | 1 | - | - | - |
| 231 | SU | 286 | Leaf, 13th | - | - | 1 | - |
| 231 | SU | 335 | Leaf, 13th | - | - | - | 1 |
| 231 | SU | 336 | Leaf, 14th | - | - | - | 1 |
| 231 | SU | 337 | Leaf, 15th | - | - | - | 1 |
| 231 | SU | 338 | Leaf, 16th | - | - | - | 1 |
| 231 | SU | 339 | Leaf, 17th | - | - | - | 1 |
| 301 | SU | 17 | Plate, Wedge | 1 | 1 | - | - |
| 13 | EJM | 26 | Plate, Wedge | - | - | 1 | - |
| 13 | EHM | 47 | Plate, Wedge | - | - | - | 1 |
| 13 | AKM | 75 | Bolt, Center | 1 | - | 1 | - |
| 13 | BCM | 75 | Bolt, Center | - | 1 | - | - |
| 13 | BGM | 103 | Bolt, Center | - | - | - | 1 |
| 13 | CGM | 12 | Clip, Rebound (Short) | 2 | - | - | 2 |
| 13 | BGM | 101 | Clip, Rebound (Short) | - | 2 | - | - |
| 13 | BMS | 151 | Clip, Rebound (Short) | - | - | 2 | - |
| 13 | BGM | 100 | Clip, Rebound (Long) | 2 | - | 2 | - |
| 13 | BGM | 102 | Clip, Rebound (Long) | - | 2 | - | - |
| 13 | BMS | 32 | Clip, Rebound (Long) | - | - | - | 2 |
| 13 | ABM | 2303 | Bolt, Rebound Clip | 4 | 4 | 4 | 4 |
| 13 | BMS | 19 | Spacer, Rebound Clip | 4 | 4 | 4 | 4 |
| 24 | AX | 73 | Rivet, Rebound Clip (3/8" x 3/4") | 4 | 4 | 4 | 4 |

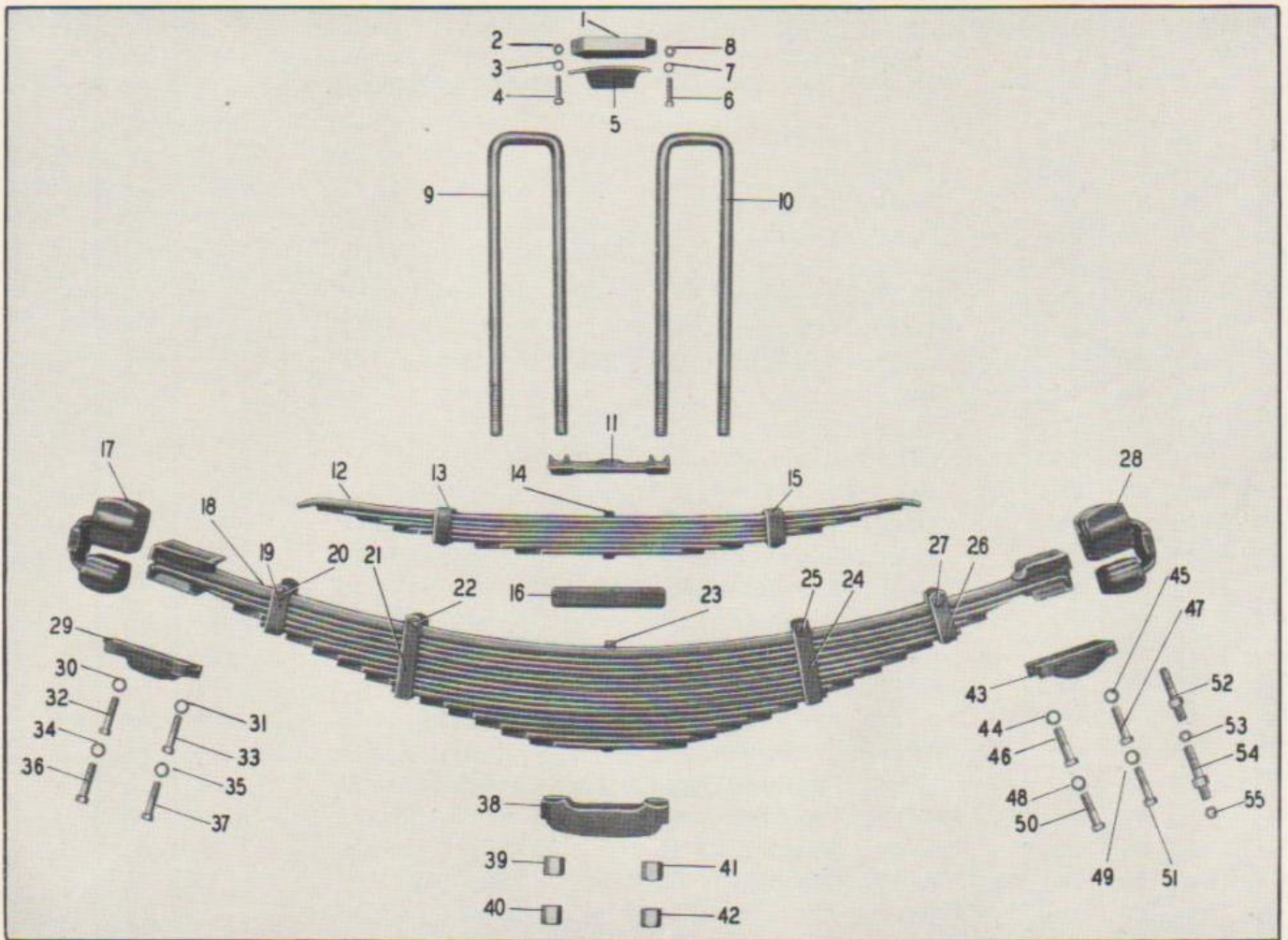
REAR SPRINGS (All Models)

| | | | No. Req'd | |
|-----|----|------|-------------------------------|---|
| * 4 | QK | 2270 | Spring, Rear RH | 1 |
| * 4 | QK | 2271 | Spring, Rear LH | 1 |
| 5 | QK | 221 | Spring, Rear Helper | 2 |

* - The component parts of 4QK2270 and 4QK2271 are identical. The difference in the Springs is that the Countersunk Head Bolts used with the long Rebound Clips are assembled from the outside of the spring.

1601 - FRONT AND REAR SPRINGS (Cont'd)

REAR SPRINGS (All Models) (Cont'd)



| Ref. No. | PART NAME | Govt. Group | Ref. No. | PART NAME | Govt. Group | Ref. No. | PART NAME | Govt. Group |
|----------|--|-------------|----------|--|-------------|----------|---|-------------|
| 1. | Spacer—Rear Axle Bumper | 1602 | 22. | Bolt—Rear Spring Rebound Clip (Countersunk) | 1601 | 40. | Nut—Rear Spring Clip | 1602 |
| 2. | Nut—Rear Axle Bumper Spacer Screw | 1602 | 23. | Bolt—Rear Spring Center | 1601 | 41. | Nut—Rear Spring Clip | 1602 |
| 3. | Washer—Rear Axle Bumper Spacer Screw Nut | 1602 | 24. | Clip—Rear Spring Rebound (Countersunk) | 1601 | 42. | Nut—Rear Spring Clip | 1602 |
| 4. | Screw—Rear Axle Bumper Spacer | 1602 | 25. | Bolt—Rear Spring Rebound Clip (Countersunk) | 1601 | 43. | Cap—Rear Spring Bracket (Front) | 1503 |
| 5. | Bumper—Rear Axle | 1602 | 26. | Clip—Rear Spring Rebound | 1601 | 44. | Lockwasher—Rear Spring Bracket Cap Bolt (Front) | 1503 |
| 6. | Screw—Rear Axle Bumper Spacer | 1602 | 27. | Bolt—Rear Spring Rebound Clip (Countersunk) | 1601 | 45. | Lockwasher—Rear Spring Bracket Cap Bolt (Front) | 1503 |
| 7. | Washer—Rear Axle Bumper Spacer Screw Nut | 1602 | 28. | Insulator—Rear Spring Shock | 1602 | 46. | Bolt—Rear Spring Bracket Cap (Front) | 1503 |
| 8. | Nut—Rear Axle Bumper Spacer Screw | 1602 | 29. | Cap—Rear Spring Bracket (Rear) | 1503 | 47. | Bolt—Rear Spring Bracket Cap (Front) | 1503 |
| 9. | Clip—Rear Spring | 1602 | 30. | Lockwasher—Rear Spring Bracket Cap Bolt (Rear) | 1503 | 48. | Lockwasher—Rear Spring Bracket Cap Bolt (Front) | 1503 |
| 10. | Clip—Rear Spring | 1602 | 31. | Lockwasher—Rear Spring Bracket Cap Bolt (Rear) | 1503 | 49. | Lockwasher—Rear Spring Bracket Cap Bolt (Front) | 1503 |
| 11. | Spacer—Rear Spring Clip | 1602 | 32. | Bolt—Rear Spring Bracket Cap (Rear) | 1503 | 50. | Bolt—Rear Spring Bracket Cap (Front) | 1503 |
| 12. | Spring—Rear Helper | 1601 | 33. | Bolt—Rear Spring Bracket Cap (Rear) | 1503 | 51. | Bolt—Rear Spring Bracket Cap (Front) | 1503 |
| 13. | Clip—Rear Helper Spring Rebound | 1601 | 34. | Lockwasher—Rear Spring Bracket Cap Bolt (Rear) | 1503 | 52. | Stud—Rear Spring Bracket Cap (Front) | 1503 |
| 14. | Bolt—Rear Helper Spring Center | 1601 | 35. | Lockwasher—Rear Spring Bracket Cap Bolt (Rear) | 1503 | 53. | Nut—Rear Spring Bracket Cap Stud (Front) | 1503 |
| 15. | Clip—Rear Helper | 1601 | 36. | Bolt—Rear Spring Bracket Cap (Rear) | 1503 | 54. | Stud—Rear Spring Bracket Cap (Front) | 1503 |
| 16. | Spacer—Rear Spring Helper Spring | 1602 | 37. | Bolt—Rear Spring Bracket Cap (Rear) | 1503 | 55. | Nut—Rear Spring Bracket Cap Stud (Front) | 1503 |
| 17. | Insulator—Rear Spring Shock | 1602 | 38. | Plate—Rear Spring Clamping | 1602 | | | |
| 18. | Spring—Rear | 1601 | 39. | Nut—Rear Spring Clip | 1602 | | | |
| 19. | Clip—Rear Spring Rebound | 1601 | | | | | | |
| 20. | Bolt—Rear Spring Rebound Clip | 1601 | | | | | | |
| 21. | Clip—Rear Spring Rebound (Countersunk) | 1601 | | | | | | |

1601

| Group No. | Part No. | Description | No. Req'd | | |
|--|----------|---|-----------|--------|--------|
| | | | Col. 1 | Col. 2 | Col. 3 |
| 1601 - FRONT AND REAR SPRINGS (Cont'd) | | | | | |
| COLUMN #1 - 4QK2270 REAR SPRING RH | | | | | |
| COLUMN #2 - 4QK2271 REAR SPRING LH | | | | | |
| COLUMN #3 - 5QK221 REAR HELPER SPRING | | | | | |
| COMPONENT PARTS OF REAR SPRINGS | | | | | |
| 222 SU | 113 | Leaf, Main | 1 | 1 | - |
| 222 SU | 114 | Leaf, Second | 1 | 1 | - |
| 233 SU | 79 | Leaf, Third | 1 | 1 | - |
| 231 SU | 234 | Leaf, Fourth | 1 | 1 | - |
| 230 SU | 83 | Leaf, Fifth | 1 | 1 | - |
| 231 SU | 235 | Leaf, Sixth | 1 | 1 | - |
| 231 SU | 350 | Leaf, Seventh | 1 | 1 | - |
| 231 SU | 351 | Leaf, Eighth | 1 | 1 | - |
| 231 SU | 352 | Leaf, Ninth | 1 | 1 | - |
| 230 SU | 117 | Leaf, Tenth | 1 | 1 | - |
| 231 SU | 353 | Leaf, Eleventh | 1 | 1 | - |
| 231 SU | 354 | Leaf Twelfth | 1 | 1 | - |
| 231 SU | 355 | Leaf, Thirteenth | 1 | 1 | - |
| 231 SU | 356 | Leaf, Fourteenth | 1 | 1 | - |
| 231 SU | 357 | Leaf, Fifteenth | 1 | 1 | - |
| 41 SU | 79 | Clip, Rebound | 2 | 2 | - |
| 41 SU | 80 | Clip, Rebound (Countersunk) | 2 | 2 | - |
| 13 ABM | 2503 | Bolt, Rebound Clip | 2 | 2 | - |
| 13 BCM | 142 | Bolt, Rebound Clip (Countersunk). | 2 | 2 | - |
| 13 BBM | 34 | Spacer, Rebound Clip | 4 | 4 | - |
| 24 AX | 3 | Rivet, Rebound Clip (3/8" x 7/8") | 4 | 4 | - |
| 13 BGM | 68 | Bolt, Center | 1 | 1 | - |
| 233 SU | 46 | Leaf, Main | - | - | 1 |
| 231 SU | 358 | Leaf, Second | - | - | 1 |
| 231 SU | 359 | Leaf, Third | - | - | 1 |
| 231 SU | 360 | Leaf, Fourth | - | - | 1 |
| 230 SU | 118 | Leaf, Fifth | - | - | 1 |
| 231 SU | 361 | Leaf, Sixth | - | - | 1 |
| 231 SU | 362 | Leaf, Seventh | - | - | 1 |
| 41 SU | 62 | Clip, Rebound | - | - | 2 |
| 24 AX | 73 | Rivet, Rebound Clip (3/8" x 3/4") | - | - | 2 |
| 13 ABM | 749 | Bolt, Center | - | - | 1 |

| Group No. | Part No. | Description | No. Req'd | | | |
|---|----------|--|-----------|--------|--------|--------|
| | | | Col. 1 | Col. 2 | Col. 3 | Col. 4 |
| 1602 - SHACKLES & SPRING MOUNTING PARTS | | | | | | |
| Front | | | | | | |
| 13 BG | 22 | Insulator, Front Spring Rubber Shock | - | - | 4 | 4 |
| 13 BG | 212 | Insulator, Front Spring Rubber Shock | 4 | 4 | - | - |
| 13 EHA | 302 | Clip Assembly, Front Spring | - | 4 | - | - |
| 13 EHA | 3012 | Clip Assembly, Front Spring | 4 | - | - | 4 |
| 13 EHA | 3018 | Clip Assembly, Front Spring | - | - | 4 | - |
| 13 EH | 11 | Bumper, Front Spring | 2 | 2 | 2 | 2 |
| 13 EH | 21 | Spacer, Front Spring | 2 | 2 | 2 | 2 |
| 20 AX | 3 | Nut, Front Spring Rubber Bumper (3/8"-24) | 2 | 2 | 2 | 2 |
| 36 AX | 3 | Washer, Front Spring Rubber Bumper Nut (3/8") | 2 | 2 | 2 | 2 |
| 21 AX | 404 | Nut, Front Spring Clip (5/8"-18) | 8 | 8 | 8 | 8 |
| Rear | | | | | | |
| 13 BG | 22 | Insulator, Rear Spring Shock | 4 | 4 | 4 | 4 |
| 6 QKA | 3050 | Clip Assembly, Rear Spring | 4 | 4 | 4 | 4 |
| 13 EH | 225 | Spacer, Rear Spring Clip | 2 | 2 | 2 | 2 |
| 13 EH | 222 | Plate, Rear Spring Clamping | 2 | 2 | 2 | 2 |
| 13 AB | 2326A | Spacer, Rear Spring Helper Spring | 2 | 2 | 2 | 2 |
| 11 EH | 113 | Bumper, Rear Axle | 2 | 2 | 2 | 2 |
| 11 EH | 132A | Spacer, Rear Axle Bumper (Tapered Frame) | 2 | 2 | 2 | 2 |
| 21 AX | 405 | Nut, Rear Spring Clip (3/4"-16) | 8 | 8 | 8 | 8 |
| 1 AX | 2 | Screw, Rear Axle Bumper Spacer (Tapered Frame) (5/16"-24 x 1-3/8") | 4 | 4 | 4 | 4 |
| 1 AX | 120 | Screw, Rear Axle Bumper Spacer (Straight Frame) (5/16"-24 x 5/8") | 4 | 4 | 4 | 4 |
| 20 AX | 2 | Nut, Rear Axle Bumper Spacer Screw (5/16"-24) | 4 | 4 | 4 | 4 |
| 36 AX | 2 | Washer, Rear Axle Bumper Spacer Screw Nut (5/16") | 4 | 4 | 4 | 4 |
| 1 AX | 108 | Bolt, Rear Spring Clip Spacer (1/2"-20 x 1-3/4") | 4 | 4 | 4 | 4 |
| 20 AX | 5 | Nut, Rear Spring Clip Spacer Bolt (1/2"-20) | 4 | 4 | 4 | 4 |
| 36 AX | 5 | Washer, Rear Spring Clip Spacer Bolt Nut (0.515) | 4 | 4 | 4 | 4 |

SGV TD

| Group No. | Part No. | Description | No. Req'd |
|-----------|----------|-------------|-----------|
|-----------|----------|-------------|-----------|

17 - HOODS, FENDERS, RUNNING BOARDS, APRONS (MISC. SHEET METAL)

1701 - FENDERS

Models EH & EHT only

| | | | |
|--------|-----|--|----|
| 13 QM | 517 | Fender, Front Complete RH | 1 |
| 13 QM | 518 | Fender, Front Complete LH | 1 |
| 1 AX | 73 | Bolt, Fender & Apron (1/4"-28 x 1/2") | 18 |
| 36 AX | 1 | Washer, Fender & Apron Bolt (1/4") | 18 |
| 20 AX | 1 | Nut, Fender & Apron Bolt (1/4"-28) | 18 |
| 37 AX | 230 | Washer, Fender & Apron Bolt (7/64"x5/8"x1/16") | 18 |
| 15 EJ | 134 | Seal, Fender Skirt | 2 |
| 27 AX | 20 | Rivet, Fender Skirt Seal (7/16"x9/64") | 10 |
| 49 QM | 13 | Seal, Fender Skirt (Rear) | 2 |
| 37 AX | 175 | Washer, Fender Skirt Seal (Rear) (3/16") | 6 |
| 302 AX | 40 | Anti-squeak, Fender (1/8" x 2" x 40") | 2 |
| 27 AX | 20 | Rivet, Fender Anti-squeak (7/16" x 9/64") | 18 |
| 1 AX | 8 | Bolt, Fender Support (1/4"-28 x 5/8") | 2 |
| 20 AX | 1 | Nut, Fender & Support Bolt (1/4"-28) | 2 |
| 36 AX | 1 | Washer, Fender & Support Bolt Nut (1/4") | 2 |
| 1 AX | 33 | Bolt, Fender & Support Mounting (3/8"-24x7/8") | 4 |
| 20 AX | 3 | Nut, Fender & Support Mounting Bolt (3/8"-24) | 4 |
| 36 AX | 3 | Washer, Fender & Support Mounting Bolt (3/8") | 4 |

Models EHU & EHUT only

| | | | |
|-------|------|---|----|
| 15 EH | 536 | Fender, Front Complete RH | 1 |
| 15 EH | 537 | Fender, Front Complete LH | 1 |
| 22 QM | 13 | Welt, Fender | 2 |
| 85 QM | 327 | Step, Fender - Intermediate | 2 |
| 8 AX | 128 | Bolt, Fender Intermediate Step (5/16"-18x5/8") | 8 |
| 22 AX | 1 | Nut, Fender Intermediate Step Bolt (5/16"-18) | 8 |
| 36 AX | 2 | Washer, Fender Intermediate Step Bolt Lock (5/16") | 8 |
| 19 QM | 41 | Bracket, Fender Support RH | 1 |
| 19 QM | 42 | Bracket, Fender Support LH | 1 |
| 15 EH | 452 | Angle, Fender Support RH | 1 |
| 15 EH | 453 | Angle, Fender Support LH | 1 |
| 1 AX | 230 | Bolt, Fender & Hood Support Angle (1/2"-20x1-1/8") | 3 |
| 20 AX | 5 | Nut, Fender & Hood Support Angle Bolt (1/2"-20) | 3 |
| 36 AX | 5 | Washer, Fender & Hood Support Angle Bolt Nut (0.515) | 3 |
| 15 EH | 2130 | Channel, Fender Support | 1 |
| 11 AX | 28 | Bolt, Fender & Apron Mounting (5/16"-18 x 1") | 6 |
| 1 AX | 110 | Bolt, Fender & Apron Mounting (5/16"-24x3/4") | 16 |
| 20 AX | 2 | Nut, Fender & Apron Mounting Bolt (5/16"-24) | 22 |
| 36 AX | 22 | Washer, Fender & Apron Mounting Bolt (5/16") | 22 |
| 6 AX | 99 | Bolt, Fender Support Bracket Mounting (5/16"-18x3/4") | 4 |
| 36 AX | 22 | Washer, Fender Support Bracket Mounting Bolt (5/16") | 4 |

Quarter Rear Fenders For Models EHT & EHUT

| | | | |
|-------|-----|--|----|
| 15 EH | 238 | Fender, Quarter - Rear | 2 |
| 6 AX | 117 | Bolt, Quarter Rear Fender & Bracket (1/4"-20x3/4") | 12 |
| 36 AX | 1 | Washer, Quarter Rear Fender & Bracket Bolt (1/4") | 12 |

| Group No. | Part No. | Description | No. Req'd |
|-----------|----------|-------------|-----------|
|-----------|----------|-------------|-----------|

1702 - SPLASH SHIELD

Models EH & EHT only

| | | | |
|-------|-----|---|----|
| 33 QM | 442 | Apron, Running Board RH | 1 |
| 33 QM | 454 | Apron, Running Board LH | 1 |
| 34 QM | 18 | Support, Running Board Apron (Front) | 2 |
| 34 QM | 110 | Support, Running Board Apron RH (Rear) | 1 |
| 34 QM | 111 | Support, Running Board Apron LH (Rear) | 1 |
| 4 AX | 22 | Screw, Apron Support Bracket (1/4"-20 x 1") | 2 |
| 22 AX | 19 | Nut, Apron Support Bracket (1/4"-20) | 2 |
| 36 AX | 1 | Washer, Cab & Apron Support Mounting Bolt Lock (1/4") | 8 |
| 6 AX | 236 | Bolt, Cab & Apron Support Mounting (1/4"-20x5/8") | 6 |
| 20 AX | 1 | Nut, Cab & Apron Support Mounting Bolt (1/4"-28) | 6 |
| 75 AX | 249 | Bolt, Cab & Apron Support Mounting (#12 x 1/2") | 10 |
| 6 AX | 490 | Bolt, Cab Cowl & Apron Mounting (3/8"-16x2-1/2") | 2 |
| 20 AX | 3 | Nut, Cab Cowl & Apron Mounting Bolt (3/8"-24) | 2 |
| 36 AX | 3 | Washer, Cab Cowl & Apron Mounting Bolt (3/8") | 2 |
| 57 QM | 352 | Pan, Engine Dust RH | 1 |
| 57 QM | 348 | Pan, Engine Dust LH | 1 |
| 15 EH | 43 | Pan, Radiator Dust | 1 |
| 1 AX | 33 | Bolt, Dust Pan (3/8"-24 x 7/8") | 8 |
| 20 AX | 3 | Nut, Dust Pan Bolt (3/8"-24) | 8 |
| 36 AX | 3 | Washer, Dust Pan Bolt Lock (3/8") | 8 |
| 37 AX | 2 | Washer, Dust Pan Bolt Plain (.3906) | 8 |

Models EHU & EHUT only

| | | | |
|--------|-----|---|---|
| 33 QM | 33 | Apron, Running Board RH | 1 |
| 33 QM | 34 | Apron, Running Board LH | 1 |
| 34 QM | 13 | Brace, Step Apron RH | 1 |
| 34 QM | 14 | Brace, Step Apron LH | 1 |
| 155 AX | 4 | Nut, Step Apron Brace Bolt Speedometer (#6-32) | 4 |
| 4 AX | 6 | Bolt, Step Apron Brace (1/4"-20 x 1/2") | 2 |
| 4 AX | 36 | Bolt, Step Apron Brace (1/4"-20 x 5/8") | 2 |
| 6 AX | 236 | Bolt, Running Board Apron Mounting (1/4"-20x5/8") | 6 |
| 20 AX | 1 | Nut, Running Board Apron Mounting Bolt (1/4"-28) | 6 |
| 36 AX | 1 | Washer, Running Board Apron Mounting Bolt (1/4") | 6 |

1703 - RUNNING BOARDS

Models EH & EHT only

| | | | |
|-------|-----|---|----|
| 30 QM | 410 | Board, Running Complete RH | 1 |
| 30 QM | 411 | Board, Running Complete LH | 1 |
| 6 AX | 117 | Bolt, Running Board & Hanger (1/4"-20 x 3/4") | 10 |
| 36 AX | 1 | Washer, Running Board & Hanger Bolt (1/4") | 10 |
| 1 AX | 33 | Bolt, Running Board & Support Mounting (3/8"-24x7/8") | 8 |
| 20 AX | 3 | Nut, Running Board & Support Mounting Bolt (3/8"-24) | 8 |
| 36 AX | 3 | Washer, Running Board & Support Mounting Bolt (3/8") | 8 |

Models EHU & EHUT only

| | | | |
|--------|------|-----------------------------------|---|
| 15 EH | 395 | Board, Running Complete RH | 1 |
| 15 EH | 396 | Board, Running Complete LH | 1 |
| 15 EH | 1199 | Filler, Running Board - Rear | 2 |
| 15 EH | 2125 | Filler, Running Board - Front | 2 |
| 104 AX | 20 | Spacer, Running Board (3/8" I.D.) | 4 |

1703
1704

| Group No. | Part No. | Description | No. Req'd |
|-----------|----------|-------------|-----------|
|-----------|----------|-------------|-----------|

1703 - RUNNING BOARDS (Cont'd)

Models EHU & EHUT only (Cont'd)

| | | | |
|--------|------|---|---|
| 6 AX | 14 | Screw, Running Board Filler Mounting (1/4"-20 x 1") | 6 |
| 36 AX | 1 | Washer, Running Board Filler Mounting Screw Lock (1/4") | 6 |
| 37 AX | 230 | Washer, Running Board Filler Mounting Screw Plain (7/64" x 5/8" x 1/16") | 6 |
| 15 EH | 2126 | Bracket, Step - Rear | 2 |
| 32 QM | 221 | Bracket, Step - Front | 2 |
| 81 QM | 31 | Mat, Running Board RH | 1 |
| 81 QM | 32 | Mat, Running Board LH | 1 |
| 6 AX | 117 | Screw, Running Board Filler Mounting (1/4"-20x3/4") | 4 |
| 36 AX | 1 | Washer, Running Board Filler Mounting Screw (1/4") | 4 |
| 1 AX | 36 | Bolt, Running Board Spacer Mounting (5/16"-24x1-1/4") | 4 |
| 20 AX | 2 | Nut, Running Board Spacer Mounting Bolt (5/16"-24) | 4 |
| 36 AX | 22 | Washer, Running Board Spacer Mounting Bolt Lock (5/16") | 4 |
| 1 AX | 77 | Screw, Running Board Filler Mounting (1/2"-20x3-1/4") | 6 |
| 36 AX | 5 | Washer, Running Board Filler Mounting Screw Lock (0.515) | 6 |
| 20 AX | 5 | Nut, Running Board Filler Mounting Screw (1/2"-20) | 6 |
| 6 AX | 219 | Screw, Running Board Filler Mounting (1/2"-13x2-1/2") | 2 |
| 155 AX | 5 | Nut, Running Board Apron Mounting Bolt Speed (1/4"-20) | 8 |
| 4 AX | 6 | Bolt, Running Board Apron Mounting (1/4"-20x1/2") | 4 |
| 71 QM | 24 | Support, Running Board | 1 |

1704 - HOODS

Models EH & EHT only

| | | | |
|-------|------|--|---|
| 15 EM | 51A | Hood Complete | 1 |
| 15 EH | 11 | Handle, Hood (Right Front Left Rear) | 2 |
| 15 EH | 12 | Handle, Hood (Left Front Right Rear) | 2 |
| 15 EH | 13 | Latch, Hood (Right Front Left Rear) | 2 |
| 15 EH | 14 | Latch, Hood (Left Front Right Rear) | 2 |
| 27 RU | 148 | Plate, Hood Name | 2 |
| 15 BM | 1351 | Cover, Hood Corner | 4 |
| 15 EH | 121 | Cover, Hood Corner | 1 |
| 27 AX | 20 | Rivet, Hood Corner Cover (7/16" x 9/64") | 2 |
| 29 AX | 54 | Cotter, Hood Handle (3/32" x 3/4") | 4 |
| 36 AX | 14 | Washer, Hood Name Plate Lock (0.200) | 4 |
| 53 AX | 9 | Nut, Hood Name Plate (#10-32 x 1/8") | 4 |
| 15 EH | 140 | Clip, Hood Latch (Rear RH) | 1 |
| 15 EH | 141 | Clip, Hood Latch (Rear LH) | 1 |
| 4 AX | 76 | Bolt, Hood Latch Clip (Rear) (5/16"-18 x 5/8") | 4 |
| 22 AX | 1 | Nut, Hood Latch Clip Rear Bolt (5/16"-18) | 4 |
| 36 AX | 2 | Washer, Hood Latch Clip Rear Bolt (5/16") | 4 |
| 15 EH | 138 | Clip, Hood Latch - Front RH | 1 |
| 15 EH | 139 | Clip, Hood Latch - Front LH | 1 |
| 4 AX | 76 | Bolt, Hood Latch Clip - Front (5/16"-18x5/8") | 4 |
| 36 AX | 2 | Washer, Hood Latch Clip Front Bolt (5/16") | 4 |
| 15 EM | 29A | Hinge, Hood - Complete | 1 |
| 15 EH | 1190 | Bracket, Hood Hinge - Top - Front & Rear | 2 |
| 15 EH | 1119 | Bracket, Hood Hinge - Bottom - Front & Rear | 2 |
| 6 AX | 497 | Screw, Hood Hinge Bracket - Front (1/4"-20x1/2") | 2 |
| 22 AX | 5 | Nut, Hood Hinge Bracket Screw (1/4"-20) | 4 |
| 36 AX | 1 | Washer, Hood Hinge Bracket Screw Nut (1/4") | 4 |
| 6 AX | 515 | Screw, Hood Hinge Bracket (Rear) (1/4"-20x.604) | 2 |

| Group No. | Part No. | Description | No. Req'd |
|-----------|----------|-------------|-----------|
|-----------|----------|-------------|-----------|

1704 - HOODS (Cont'd)

Models EH & EHT only (Cont'd)

| | | | | |
|-----|----|------|--|----|
| 136 | AX | 33 | Lacing, Hood - At Radiator (33") | 2 |
| 27 | AX | 20 | Rivet, Hood Lacing (7/16" x 9/64") | 24 |
| 23 | AX | 232 | Nut, Hood Latch Clip Bolt (5/16"-18) | 4 |
| 9 | QM | 123 | Rest, Hood RH | 1 |
| 9 | QM | 124 | Rest, Hood LH | 1 |
| 15 | EH | 184A | Bracket, Hood Center Bumper | 2 |
| 15 | EH | 185 | Bumper, Hood Center | 2 |
| 8 | AX | 157 | Screw, Hood Center Bumper Bracket (#6-32x1/2") | 2 |
| 155 | AX | 4 | Nut, Hood Center Bumper Bracket Screw (#6-32x1/2") | 2 |
| 8 | AX | 151 | Screw, Hood Center Bumper (#10-24x3/8") | 4 |
| 155 | AX | 8 | Nut, Hood Center Bumper Screw (#10-24 x 3/4") | 4 |

Models EHU & EHUT only

| | | | | |
|-----|-----|-------|---|---|
| 1 | QMA | 42-P1 | Hood Assembly | 1 |
| 15 | EH | 534 | Hood | 1 |
| 62 | QS | 11 | Lock, Hood Door RH | 1 |
| 62 | QS | 12 | Lock, Hood Door LH | 1 |
| 259 | AX | 64 | Seal, Hood Louvre Panel (3/16"x1/2"x64") | 2 |
| 15 | EH | 443 | Panel, Hood Louvre RH | 1 |
| 15 | EH | 444 | Panel, Hood Louvre LH | 1 |
| 68 | QM | 11 | Bracket, Hood Anchor | 1 |
| 75 | AX | 269 | Screw, Hood Lock Mounting (#6 x 3/8") | 8 |
| 15 | EH | 3103 | Bracket, Hood Support RH | 1 |
| 15 | EH | 3104 | Bracket, Hood Support LH | 1 |
| 1 | CQ | 204 | Insulator, Hood Mounting | 2 |
| 37 | MF | 201 | Insulator, Hood Mounting | 2 |
| 2 | AX | 256 | Bolt, Hood Mounting (5/8"-18 x 4-1/4") | 2 |
| 21 | AX | 346 | Nut, Hood Mounting Bolt (5/8"-18) | 2 |
| 123 | AX | 36 | Nut, Hood Mounting Bolt Pal (5/8"-18) | 2 |
| 37 | AX | 382 | Washer, Hood Mounting Bolt (21/32") | 2 |
| 27 | RU | 148 | Plate, Hood Name | 2 |
| 53 | AX | 9 | Nut, Hood Name Plate Screw (#10-32) | 4 |
| 36 | AX | 4 | Washer, Hood Name Plate Screw Nut (0.453) | 4 |
| 15 | EH | 3101 | Gusset, Hood Support RH | 1 |
| 15 | EH | 3102 | Gusset, Hood Support LH | 1 |
| 1 | AX | 33 | Bolt, Hood Support Gusset (3/8"-24 x 7/8") | 6 |
| 20 | AX | 3 | Nut, Hood Support Gusset Bolt (3/8"-24) | 6 |
| 36 | AX | 3 | Washer, Hood Support Gusset Bolt Nut (3/8") | 6 |
| 1 | AX | 35 | Bolt, Hood Support Bracket Mounting (3/8"-16x1") | 4 |
| 20 | AX | 3 | Nut, Hood Support Bracket Mounting Bolt (3/8"-24) | 4 |
| 36 | AX | 3 | Washer, Hood Support Bracket Mounting Bolt (3/8") | 4 |
| 69 | QM | 11 | Bolt, Hood Eye | 1 |
| 70 | QM | 11 | Bracket, Hood Eye Bolt | 1 |
| 21 | AX | 184 | Nut, Hood Eye Bolt (5/8"-18) | 1 |
| 1 | AX | 374 | Bolt, Hood Eye (1/4"-28 x 3/4") | 2 |
| 20 | AX | 1 | Nut, Hood Eye Bolt (1/4"-28) | 2 |
| 36 | AX | 1 | Washer, Hood Eye Bolt Nut (1/4") | 2 |
| 66 | QM | 11 | Rod, Hood Lock | 2 |
| 21 | AX | 231 | Nut, Hood Lock Rod Wing (3/8"-24) | 2 |
| 36 | AX | 3 | Washer, Hood Lock Rod Wing Nut (3/8") | 2 |
| 37 | AX | 166 | Washer, Hood Lock Rod Wing Nut (29/64") | 2 |

| Group No. | Part No. | Description | No. Req'd |
|-----------|----------|-------------|-----------|
|-----------|----------|-------------|-----------|

1704 - HOODS (Cont'd)

Models EHU & EHUT only (Cont'd)

| | | | |
|--------|------|--|---|
| 29 AX | 55 | Cotter Pin, Hood Lock Rod Wing Nut (3/32"x5/8") | 2 |
| 67 QM | 11 | Bolt, Hood Lock Rod Eye | 2 |
| 20 AX | 3 | Nut, Hood Lock Rod Eye Bolt (3/8"-24) | 2 |
| 36 AX | 3 | Washer, Hood Lock Rod Eye Bolt Nut (3/8") | 2 |
| 9 QM | 11 | Rest, Hood | 2 |
| 133 AX | 292 | Screw, Hood Rest (#10 x 3/4") | 4 |
| 11 AX | 28 | Bolt, Fender Support Angle Step | 6 |
| 36 AX | 22 | Washer, Fender Support Angle Step Bolt (5/16") | 6 |
| 37 AX | 191 | Washer, Fender Support Angle Step Bolt Plain(11/32") | 4 |
| 1 AX | 33 | Bolt, Fender Support Angle Mounting (3/8"-24x7/8") | 4 |
| 20 AX | 3 | Nut, Fender Support Angle Mounting Bolt (3/8"-24) | 4 |
| 36 AX | 3 | Washer, Fender Support Angle Mounting Bolt Nut (3/8") | 4 |
| 1 AX | 33 | Bolt, Fender Support Bracket & Angle (3/8"-24x7/8") | 2 |
| 20 AX | 3 | Nut, Fender Support Bracket & Angle Bolt (3/8"-24) | 2 |
| 36 AX | 3 | Washer, Fender Support Bracket & Angle Bolt Nut (3/8") | 2 |
| 8 AX | 29 | Screw, Hood Anchor Bracket (#10-32 x 5/8") | 3 |
| 36 AX | 14 | Washer, Hood Anchor Bracket Screw Nut (0.200) | 3 |
| 38 RU | 111 | Plate, Hood Anchor Bracket Tapping | 1 |
| 15 CL | 1422 | Key, Hood Door Lock | 1 |
| 73 AX | 20 | Knob, Hood Louvre Panel (Keeler Brass Co. #U7770) | 2 |
| 8 AX | 21 | Screw, Hood Louvre Panel Knob (#10-32 x 1/2") | 2 |
| 36 AX | 14 | Washer, Hood Louvre Panel Knob (0.200) | 2 |

Engine Hood

Models EHU & EHUT

| | | | |
|--------|-----|--|---|
| 96 QMA | 47 | Hood, Engine Complete | 1 |
| 15 AC | 140 | Handle, Hood | 1 |
| 35 AX | 455 | Spacer, Hood Handle (13/64") | 2 |
| 8 AX | 163 | Screw, Hood Handle (#10-24 x 7/8") | 2 |
| 53 AX | 1 | Nut, Hood Handle Screw (#10-24) | 2 |
| 36 AX | 14 | Washer, Hood Handle Screw Nut Lock (0.200) | 2 |
| 37 AX | 39 | Washer, Hood Handle Screw Nut (13/64") | 2 |
| 3 QM | 11 | Latch, Hood | 2 |
| 130 AX | 806 | Screw, Hood Latch (#10-32 x 1") | 4 |
| 53 AX | 6 | Nut, Hood Latch Screw (#10-32) | 4 |
| 114 QM | 41 | Mat, Engine Hood | 1 |
| 8 QM | 11 | Clip, Hood Latch | 4 |
| 35 AX | 455 | Spacer, Hood Latch Clip (13/64") | 8 |
| 8 AX | 163 | Screw, Hood Latch Clip Mounting (#10-24 x 7/8") | 8 |
| 53 AX | 1 | Nut, Hood Latch Clip Mounting Screw (#10-24) | 8 |
| 36 AX | 14 | Washer, Hood Latch Clip Mounting Screw (0.200) | 8 |
| 37 AX | 39 | Washer, Hood Latch Clip Mounting Screw Nut Plain(13/64") | 8 |
| 8 AX | 21 | Screw, Hood Ledge (#10-32 x 1/2") | 4 |
| 36 AX | 14 | Washer, Hood Ledge Screw (0.200) | 4 |
| 53 AX | 6 | Nut, Hood Ledge Screw (#10-32) | 4 |

| Group No. | Part No. | Description | No. Req'd |
|-----------|----------|-------------|-----------|
|-----------|----------|-------------|-----------|

18 - BODY

1800 - CAB ASSEMBLY

Models EH & EHT

| | | | |
|-----|--------------|---|----|
| 2 | QSA 318A-P11 | Cab & Cowl Service Assembly Complete with Cushions, Toe, Floor & Instrument Boards (BK Brakes) | 1 |
| 2 | QSA 318A-P12 | Cab & Cowl Service Assembly Complete with Cushions, Toe, Floor & Instrument Boards (Air Brakes) | 1 |
| 3 | QSA 419A-P1 | Cab & Cowl Service Assembly less Cushions, Toe & Floor & Instrument Boards | 1 |
| 113 | QS 23 | Plate, Seat Support Cover | 1 |
| 26 | QS 33 | Tray, Jack | 1 |
| 75 | AX 248 | Screw, Jack Tray (#12 x 3/8") | 7 |
| 11 | QS 11 | Moulding, Cab Sill Scuff RH | 1 |
| 11 | QS 12 | Moulding, Cab Sill Scuff LH | 1 |
| 255 | AX 90 | Sealer, Cab Door (90") | 2 |
| 21 | QS 26 | Channel, Rear Window Glass Rubber | 1 |
| 75 | AX 357 | Screw, Cab Door Sealer Retainer (#4 x 3/8") | 40 |
| 59 | QS 21 | Retainer, Cab Door Seal RH | 1 |
| 59 | QS 22 | Retainer, Cab Door Seal LH | 1 |
| 53 | MB 11 | Spout & Pocket Seal, Gas Tank Filler | 1 |
| 15 | EHA 216 | Door Assembly, Gas Tank Filler Spout | 1 |
| 15 | EH 118 | Spring, Gas Tank Filler Spout Door | 1 |
| 8 | AX 21 | Screw, Gas Tank Filler Spout Door Knob (#10-24x1/2") | 1 |
| 73 | AX 20 | Knob, Gas Tank Filler Spout Door (#U7770) | 1 |
| 136 | AX 48 | Lacing, Hood (48") | 2 |
| 132 | QS 31 | Gutter, Cab Roof Rain RH | 1 |
| 132 | QS 32 | Gutter, Cab Roof Rain LH | 1 |
| 171 | QS 51 | Panel, Cab Front | 1 |
| 27 | QS 11 | Hook, Coat | 1 |
| 75 | AX 227 | Screw, Coat Hook (#7 x 5/8") | 2 |
| 71 | QS 51 | Support, Seat | 1 |
| 152 | QS 12 | Plate, Valve Opening Draft | 1 |
| 152 | QS 13 | Plate, Valve Opening Cover Plate | 1 |
| 6 | AX 490 | Bolt, Cab Cowl & Apron Mounting (3/8"-16x2-1/2") | 2 |
| 10 | QS 27 | Plate, Cab Sill Bolting RH | 1 |
| 10 | QS 28 | Plate, Cab Sill Bolting LH | 1 |
| 8 | AX 60 | Screw, Cab & Cowl (5/16"-18 x 3/4") | 8 |
| 6 | AX 494 | Screw, Cab Sill Bolt Plate (3/8"-16x1-13/16") | 6 |
| 11 | AX 6 | Bolt & Nut, Cab & Cowl Connection (5/16"-18x2-1/2") | 8 |
| 189 | QS 23-P2 | Handle, Grab | 2 |
| 44 | RU 1131 | Spacer, Grab Handle | 4 |
| 1 | AX 5 | Bolt, Grab Handle (5/16"-24x1-1/8") | 4 |

Cowl

| | | | |
|-----|-----------|--|---|
| 15 | EH 510A | Cowl Assembly | 1 |
| 15 | EH 49A | Cover, Dash Sheet | 1 |
| 263 | AX 45 | Rubber, Cowl Sealing (45") | 1 |
| 15 | EH 23A | Bracket, Cowl Mounting RH | 1 |
| 15 | EH 24A | Bracket, Cowl Mounting LH | 1 |
| 37 | QR 529-P1 | Board, Instrument (BK Brakes) | 1 |
| 37 | QR 229 | Board, Instrument (Air Brakes) | 1 |
| 1 | AX 8 | Screw, Instrument Board (1/4"-28x5/8") | 4 |
| 298 | AX 4 | Anti-squeak, Instrument Board (4") | 4 |
| 15 | EJ 423 | Compartment, Glove | 1 |

| Group No. | Part No. | Description | No. Req'd |
|-----------|----------|-------------|-----------|
|-----------|----------|-------------|-----------|

1800 - CAB ASSEMBLY (Cont'd)

Models EH & EHT only (Cont'd)

Cowl (Cont'd)

| | | | |
|--------|-----|---|----|
| 130 AX | 187 | Screw, Glove Compartment Mounting (#6-32 x 3/8") | 8 |
| 155 AX | 4 | Nut, Glove Compartment Mounting Screw Speed (#6-32) | 12 |
| 37 AX | 79 | Washer, Glove Compartment Mounting Screw (13/64") | 4 |
| 11 QR | 421 | Sheet, Dash | 1 |
| 15 EH | 38 | Cover & Deflector, Cowl Vent | 1 |
| 15 EH | 211 | Rubber, Cowl Vent Sealing | 1 |
| 58 AX | 48 | Spring, Cowl Vent (2-7/8") | 1 |
| 15 EH | 28 | Lever, Cowl Vent Operating | 1 |
| 15 EH | 113 | Hinge, Cowl Vent | 1 |
| 15 EH | 142 | Bracket, Cowl Vent Hinge RH | 1 |
| 15 EH | 143 | Bracket, Cowl Vent Hinge LH | 1 |

Models EHU & EHUT

| | | | |
|--------|----------|---|----|
| 2 QSA | 412B-P1 | Cab & Cowl Service Assembly Complete with Cushions, Toe, Floor & Instrument Board | 1 |
| 3 QSA | 419A-P23 | Cab & Cowl Service Assembly less Cushions, Toe & Floor & Instrument Board | 1 |
| 12 QR | 41 | Cover, Dash Sheet | 1 |
| 10 QS | 210 | Plate, Cab Sill Bolting RH | 1 |
| 10 QS | 211 | Plate, Cab Sill Bolting LH | 1 |
| 136 AX | 88 | Lacing, Hood (88") | 1 |
| 133 AX | 289 | Screw, Hood Lacing (#10 x 3/8") | 18 |
| 11 AX | 63 | Bolt & Nut, Cab & Cowl (1/2"-13 x 5-1/4") | 8 |
| 6 AX | 494 | Screw, Cab Sill Bolting Plate (3/8"-16x1-13/16") | 8 |
| 6 AX | 236 | Screw, Cab & Cowl Connection (1/4"-20x5/8") | 8 |
| 133 AX | 100 | Screw, Coat Hook (#7 x 5/8") | 2 |
| 27 QS | 11 | Hook, Coat | 1 |
| 25 QS | 37 | Partition, Seat Support RH | 1 |
| 25 QS | 38 | Partition, Seat Support LH | 1 |
| 130 AX | 270 | Screw, Seat Support Partition (5/16"-18x5/8") | 12 |
| 15 CJ | 2331 | Handle, Grab | 2 |
| 44 RU | 1335 | Spacer, Grab Handle | 4 |
| 130 AX | 272 | Screw, Grab Handle (5/16"-18 x 7/8") | 4 |
| 69 QS | 15 | Bracket, Seat Back Cushion Support RH Lower | 1 |
| 69 QS | 16 | Bracket, Seat Back Cushion Support LH Lower | 1 |
| 69 QS | 19 | Bracket, Seat Back Cushion Support RH Upper | 1 |
| 69 QS | 110 | Bracket, Seat Back Cushion Support LH Upper | 1 |
| 130 QS | 37-P1 | Bracket, Seat Support RH | 1 |
| 130 QS | 38-P1 | Bracket, Seat Support LH | 1 |
| 169 QS | 52A | Panel & Frame Assembly, Cab | 1 |
| 132 QS | 31 | Gutter, Cab Roof Rain RH | 1 |
| 132 QS | 33 | Gutter, Cab Roof Rain LH | 1 |
| 144 QS | 41 | Rail, Cab Rear Lower RH | 1 |
| 144 QS | 42 | Rail, Cab Rear Lower LH | 1 |
| 100 QS | 51 | Post, Cab Lock RH | 1 |
| 100 QS | 52 | Post, Cab Lock LH | 1 |
| 12 QS | 28 | Plate, Rear Sill Corner RH | 1 |
| 12 QS | 29 | Plate, Rear Sill Corner LH | 1 |
| 35 AX | 570 | Spacers, Rear Sill Corner Plate (9/16") | 4 |
| 87 QS | 21 | Channel, Cab Support | 1 |
| 27 QR | 21 | Support, Toe & Floor Board | 1 |
| 1 AX | 35 | Screw, Toe & Floor Board Support (3/8"-24 x 1") | 3 |

| Group No. | Part No. | Description | No. Req'd |
|-----------|----------|-------------|-----------|
|-----------|----------|-------------|-----------|

1800 - CAB ASSEMBLY (Cont'd)

Models EHU & EHUT (Cont'd)

Cowl

| | | |
|------------|---|---|
| 49 AX 33 | Plug, Instrument Board (Bottom) | 1 |
| 49 AX 34 | Plug, Instrument Board (Top) | 1 |
| 37 QR 530 | Board, Instrument (BK Brakes) | 1 |
| 37 QR 235 | Board, Instrument (Air Brakes) | 1 |
| 1 AX 8 | Screw, Instrument Board Mounting (1/4"-28 x 5/8") | 4 |
| 298 AX 4 | Anti-squeak, Instrument Board to Cowl (4") | 2 |
| 15 EJ 423 | Compartment, Glove | 1 |
| 130 AX 187 | Screw, Glove Compartment Mounting (#6-32 x 3/8") | 8 |
| 8 AX 157 | Screw, Glove Compartment Mounting (#6-32 x 1/2") | 4 |
| 37 AX 78 | Washer, Glove Compartment Mounting Screw (13/64") | 4 |
| 2 QR 512 | Cowl Assembly | 1 |
| 35 QR 127 | Rubber, Cowl & Toe Board Air Seal RH | 1 |
| 35 QR 128 | Rubber, Cowl & Toe Board Air Seal LH | 1 |
| 26 QU 36 | Ventilator Assembly, Side RH | 1 |
| 26 QU 37 | Ventilator Assembly, Side LH | 1 |
| 58 AX 105 | Spring, Side Vent (1") | 2 |
| 58 AX 106 | Spring, Side Vent (1") | 2 |
| 21 QU 22 | Rubber, Vent Sealing | 2 |
| 35 AX 664 | Washer, Cowl to Cowl Bar Screw (.214) | 2 |
| 75 AX 62 | Screw, Cowl to Cowl Bar (#10 x 7/8") | 2 |
| 14 EH 349 | Bracket, Cowl Mounting | 1 |
| 2 RU 11 | Anti-squeak, Cowl Mounting | 2 |
| 1 AX 138 | Bolt, Cowl Mounting (1/2"-20x1-3/8") | 4 |
| 87 AX 3 | Grommet, Cowl Vent Drain Tube (5/8") | 2 |
| 83 AX 103 | Clamp, Cowl Vent Drain Tube (2-3/8") | 4 |
| 15 EJ 125 | Lock, Glove Compartment Door | 1 |
| 64 SX 11 | Door, Glove Compartment | 1 |

1801 - WINDSHIELD FRAME, WIPER AND PARTS

| | | |
|------------|--|---|
| 33 QTA 213 | Wiper Assembly, Windshield (Trico #4830-1) | 1 |
|------------|--|---|

COMPONENT PARTS OF WINDSHIELD WIPER - 33QTA213

TRICO #4830-1

| | | |
|------------|--|---|
| 56301 | RSB-301 Motor Assembly | 1 |
| 76570-59-X | Arm Assembly, Wiper | 1 |
| L-778-32-X | Blade & Hook Assembly, Wiper | 1 |
| 75072C | Nut, Wiper Arm | 1 |
| 848 | Hose, Wiper Rubber (13" x 1/4") | 1 |
| SP1064A | Repair Set, Wiper Motor (For servicing 56301 Motor Assembly) | 1 |
| *56 | Plate Assembly, Slide Valve Paddle | 1 |
| *484 | Spring, Valve | 1 |
| *1721 | Spring | 1 |
| *1722 | Kicker & Rivet Assembly | 1 |
| *2255-1 | Valve, Slide | 1 |
| *2256-J | Retainer, Valve | 1 |
| *1878-13-R | Rivet (1/8" x 13/32") | 1 |
| *88 | Gasket | 1 |
| *89 | Gasket | 1 |

* - Units of SP1064A Repair Set

1801
1802

| Group No. | Part No. | Description | No. Req'd |
|---|----------|--|-----------|
| 1801 - WINDSHIELD FRAME, WIPER AND PARTS (Cont'd) | | | |
| 331 AX | 75 | Tube, Windshield Wiper (1/4") | 1 |
| 16 AB | 1819 | Clamp, Windshield Wiper Tube | 2 |
| 75 AX | 226 | Screw, Windshield Wiper Tube Clamp (#7x1/2") | 2 |
| 5 AB | 1117 | Grommet, Windshield Wiper Tube | 1 |
| 113 AX | 24 | Loom, Windshield Wiper Tube (1/4") | 1 |
| 2 QT | 21A | Hinge, Windshield RH | 1 |
| 2 QT | 22A | Hinge, Windshield LH | 1 |
| 130 AX | 256 | Screw, Windshield Hinge (1/4"-20x1/2") | 4 |
| 36 AX | 1 | Washer, Windshield Hinge Screw (1/4") | 4 |
| 89 AX | 3 | Screw, Windshield Hinge (#12-24x3/8") | 6 |
| 15 EH | 162 | Handle, Windshield Regulator | 1 |
| 3 QT | 32-P1 | Regulator, Windshield | 1 |
| 1 AX | 120 | Screw, Windshield Regulator to Cowl (5/16"-24x5/8") | 2 |
| 20 AX | 2 | Nut, Windshield Regulator to Cowl Screw (5/16"-24) | 2 |
| 36 AX | 2 | Washer, Windshield Regulator to Cowl Screw (5/16") | 2 |
| 130 AX | 800 | Screw, Windshield Regulator to Windshield (#10-32x3/8") | 2 |
| 36 AX | 14 | Washer, Windshield Regulator to Windshield Screw (0.200) | 2 |
| 104 AX | 55 | Stop, Windshield Frame Rubber (1/8" x 3/8") | 2 |
| 1 QTA | 22-P3 | Windshield Assembly (Conventional Cab Chassis) | 1 |
| 1 QTA | 23-P3 | Windshield Assembly (Cab over Engine Chassis) | 1 |
| 15 EH | 2123 | Weatherstrip, Windshield (Conventional Cab Chassis) | 1 |
| 35 RU | 22 | Weatherstrip, Windshield (Cab over Engine Chassis) | 1 |

1802 - FLOOR MATS AND SEALS, FLOOR BOARDS AND COVERS

CHASSIS EHU1D1425 to 1494 & EHUT1D1224 to 1403

| | | | |
|--------|-------|--|---|
| 17 QRA | 36-P1 | Board Assembly, LH Toe (Chassis EHU1D1425 to 1494) | 1 |
| 17 QRA | 36-P2 | Board Assembly, LH Toe (Chassis EHUT1D1224 to 1403) | 1 |
| 6 AX | 264 | Screw, LH Toe Board Assembly (1/4"-20 x 1") | 5 |
| 130 AX | 262 | Screw, LH Toe Board Assembly (1/4"-20 x 1-1/2") | 1 |
| 22 AX | 5 | Nut, LH Toe Board Assembly Screw (1/4"-20) | 1 |
| 36 AX | 1 | Washer, LH Toe Board Assembly Screw (1/4") | 1 |
| 37 AX | 230 | Washer, LH Toe Board Assembly Screw (17/64") | 6 |
| 18 QRA | 36 | Board Assembly, LH Floor | 1 |
| 130 AX | 262 | Screw, LH Floor Board (1/4"-20x1-1/2") | 3 |
| 22 AX | 5 | Nut, LH Floor Board Screw (1/4"-20) | 3 |
| 36 AX | 1 | Washer, LH Floor Board Screw (1/4") | 3 |
| 37 AX | 230 | Washer, LH Floor Board Screw (17/64") | 3 |
| 14 AX | 30 | Screw, LH Floor Board Wood (#14x1-1/4") | 3 |
| 35 AX | 355 | Washer, LH Floor Board Wood Screw (1-7/16") | 3 |
| 130 AX | 260 | Screw, LH Floor Board (1/4"-20 x 1") | 1 |
| 155 AX | 7 | Nut, LH Floor Board Screw (1/4"-20) | 1 |
| 42 QRA | 37 | Board Complete, RH Toe & Floor | 1 |
| 6 AX | 264 | Screw, RH Toe & Floor Board (1/4"-20x1") | 2 |
| 37 AX | 230 | Washer, RH Toe & Floor Board Screw (17/64") | 4 |
| 130 AX | 262 | Screw, RH Toe & Floor Board (1/4"-20x1-1/2") | 2 |
| 22 AX | 5 | Nut, RH Toe & Floor Board Screw (1/4"-20) | 2 |
| 36 AX | 1 | Washer, RH Toe & Floor Board Screw (1/4") | 4 |
| 6 AX | 236 | Screw, Toe Board & Sill Bolting Plate (1/4"-20x5/8") | 8 |
| 36 AX | 1 | Washer, Toe Board & Sill Bolting Plate Screw (1/4") | 8 |
| 21 QR | 32 | Mat, RH Floor | 1 |
| 21 QR | 33 | Mat, LH Floor (Chassis EHU1D1425 to 1494) | 1 |
| 21 QR | 29 | Mat, LH Floor (Chassis EHUT1D1224 to 1403) | 1 |

| Group No. | Part No. | Description | No. Req'd |
|-----------|----------|-------------|-----------|
|-----------|----------|-------------|-----------|

1802 - FLOOR MATS AND SEALS, FLOOR BOARDS AND COVERS (Cont'd)

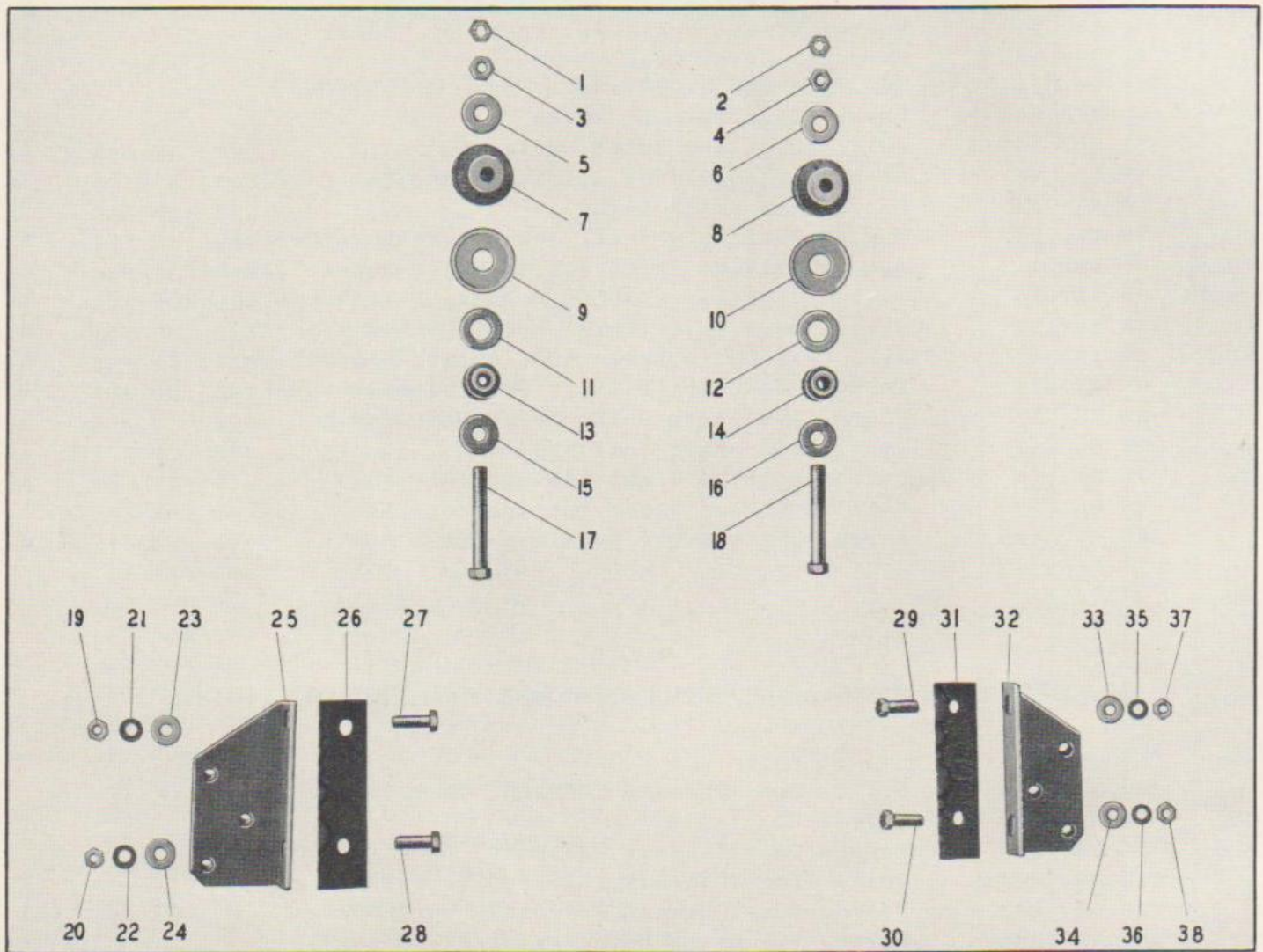
CHASSIS EHUID1425 to 1494 & EHUT1D1224 to 1403 (Cont'd)

| | | | |
|---------|--------|--|---|
| 73 AX | 28 | Stud, Floor Board Mat Fastener (.151x3/8") | 2 |
| 73 AX | 10 | Button, Floor Board Mat Fastener (#457) | 8 |
| 73 AX | 11 | Socket, Floor Board Mat Fastener (#548) | 8 |
| 44 QR | 12 | Door Complete, Trap | 1 |
| 21 QR | 11 | Mat, Trap Door | 1 |
| 102 QSA | 333-P5 | Cover, Gear Shifter Lever | 1 |
| 21 QR | 119 | Felt, Auxiliary Shift Sealing | 1 |
| 73 QR | 14 | Retainer, Auxiliary Shift Sealing Felt | 1 |
| 8 MY | 31 | Boot, Gear Shift Lever | 1 |
| 130 AX | 227 | Screw, Auxiliary Shift Sealing Felt (#10-24x1") | 4 |
| 53 AX | 1 | Nut, Auxiliary Shift Sealing Felt Screw (#10-24) | 4 |
| 36 AX | 14 | Washer, Auxiliary Shift Sealing Felt Screw (0.200) | 4 |
| 130 AX | 224 | Screw, Gear Shift Lever Boot (#10-24 x 5/8") | 6 |
| 53 AX | 1 | Nut, Gear Shift Lever Boot Screw (#10-24) | 6 |
| 36 AX | 14 | Washer, Gear Shift Lever Boot Screw (0.200) | 6 |
| 58 RU | 135 | Plate, Auxiliary Shift Lever Hole Cover | 1 |
| 21 QR | 129 | Felt, Hand Brake Sealing | 1 |
| 73 QR | 16 | Retainer, Hand Brake Sealing Felt RH | 1 |
| 73 QR | 17 | Retainer, Hand Brake Sealing Felt LH | 1 |
| 133 AX | 108 | Screw, Shift Lever Retainer (#8 x 5/8") | 4 |

CHASSIS EHIS2637 to 3072, EHID3869 to 3943, AND EHT1D2273 to 2412

| | | | |
|--------|-----|---|---|
| 20 QR | 338 | Board, Toe (Chassis EHIS2637 to 3072 & EHID3889 to 3943) | 1 |
| 20 QR | 339 | Board, Toe (Chassis EHT1D2303 to 2412) | 1 |
| 20 QR | 342 | Board, Toe (Chassis EHID3869 to 3888) | 1 |
| 20 QR | 343 | Board, Toe (Chassis EHT1D2273 to 2302) | 1 |
| 130 AX | 260 | Screw, Toe Board Mounting (1/4"-20 x 1") | 8 |
| 37 AX | 230 | Washer, Toe Board Mounting Screw (17/64") | 8 |
| 15 EH | 129 | Plate, Toe Board Steering Column | 1 |
| 132 AX | 259 | Screw, Toe Board Steering Column Plate (1/4"-20x7/8") | 2 |
| 15 EH | 228 | Plate, Toe Board Pedal Cover (Chassis EHIS2637 to 3072 & EHID3869 to 3943) | 1 |
| 29 QR | 131 | Plate, Toe Board Pedal Cover (Chassis EHT1D2273 to 2412) | 1 |
| 132 AX | 259 | Screw, Toe Board Pedal Cover Plate (1/4"-20 x 7/8") | 4 |
| 19 QR | 362 | Board, Floor (Chassis EHIS2637 to 3072, EHID3889 to 3943 & EHT1D2393 to 2412) | 1 |
| 19 QR | 363 | Board, Floor (Chassis EHID3869 to 3888 & EHT1D2273 to 2302) | 1 |
| 19 QR | 381 | Board, Floor (Chassis EHT1D2303 to 2392) | 1 |
| 21 QR | 436 | Mat, Floor (Chassis EHIS2637 to 3072 & EHID3889 to 3943) | 1 |
| 21 QR | 275 | Mat, Floor (Chassis EHID3869 to 3888) | 1 |
| 21 QR | 276 | Mat, Floor (Chassis EHT1D2273 to 2302) | 1 |
| 21 QR | 273 | Mat, Floor (Chassis EHT1D2303 to 2412) | 1 |

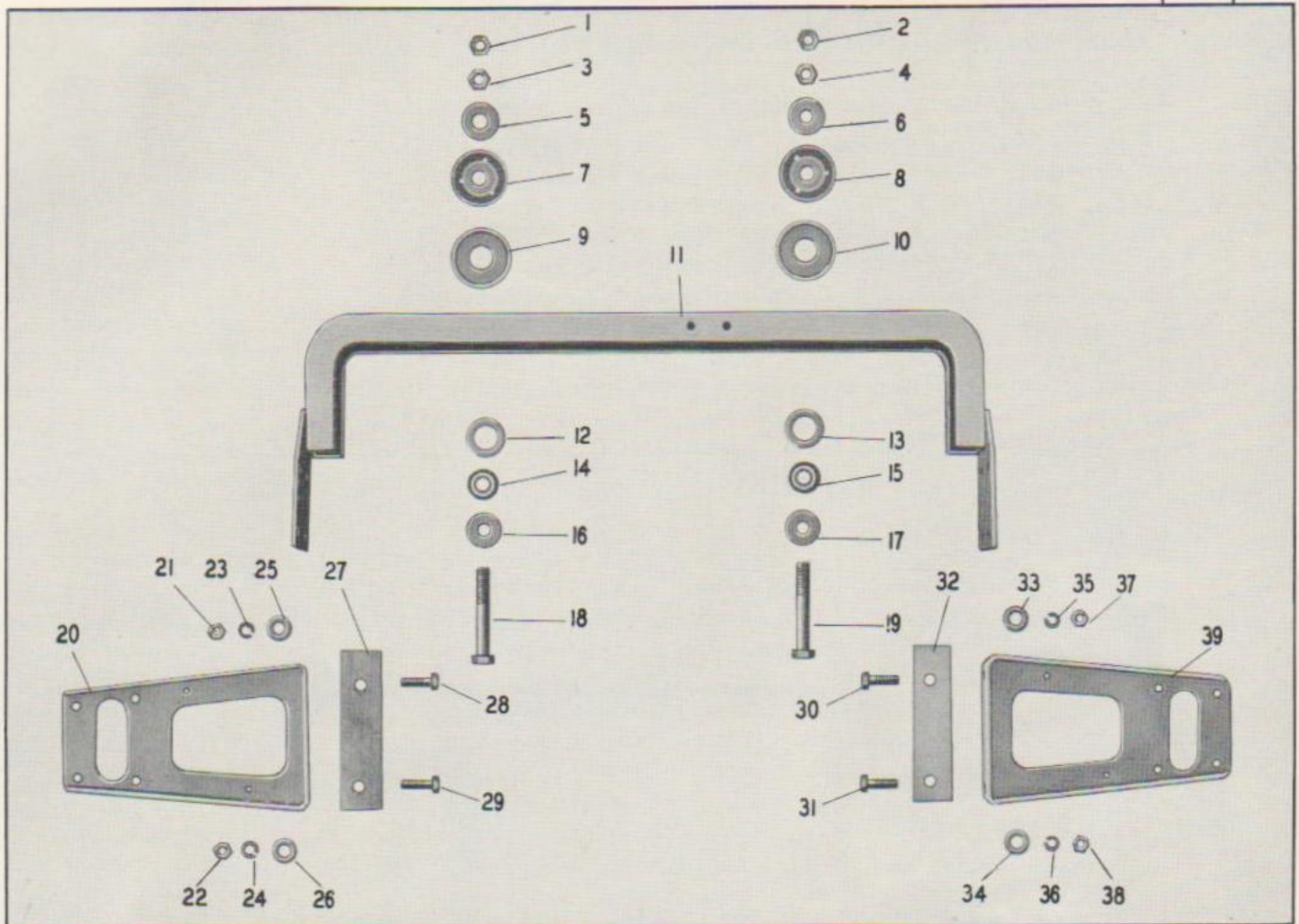
1803 - BATTERY MOUNTS AND CAB MOUNTING



| Ref. No. | PART NAME | Govt. Group | Ref. No. | PART NAME | Govt. Group | Ref. No. | PART NAME | Govt. Group |
|----------|-----------------------------------|-------------|----------|--------------------------------------|-------------|----------|-----------------------------------|-------------|
| 1. | Nut—Cab Rear Mounting Bolt Pal | 1803 | 11. | Washer—Cab Rear Mounting | 1803 | 23. | Washer—Cowl Mounting Bolt | 1803 |
| 2. | Nut—Cab Rear Mounting Bolt Pal | 1803 | 12. | Washer—Cab Rear Mounting | 1803 | 24. | Washer—Cowl Mounting Bolt | 1803 |
| 3. | Nut—Cab Rear Mounting Bolt | 1803 | 13. | Insulator—Cab Rear Mounting (Bottom) | 1803 | 25. | Bracket—Cowl Mounting | 1800 |
| 4. | Nut—Cab Rear Mounting Bolt | 1803 | 14. | Insulator—Cab Rear Mounting (Bottom) | 1803 | 26. | Anti-squeak—Cowl Mounting | 1803 |
| 5. | Washer—Cab Rear Mounting Bolt | 1803 | 15. | Washer—Cab Rear Mounting Bolt | 1803 | 27. | Bolt—Cowl Mounting | 1803 |
| 6. | Washer—Cab Rear Mounting Bolt | 1803 | 16. | Washer—Cab Rear Mounting Bolt | 1803 | 28. | Bolt—Cowl Mounting | 1803 |
| 7. | Insulator—Cab Rear Mounting (Top) | 1803 | 17. | Bolt—Cab Rear Mounting | 1803 | 29. | Bolt—Cowl Mounting | 1803 |
| 8. | Insulator—Cab Rear Mounting (Top) | 1803 | 18. | Bolt—Cab Rear Mounting | 1803 | 30. | Bolt—Cowl Mounting | 1803 |
| 9. | Cup—Cab Rear Mounting Insulator | 1803 | 19. | Nut—Cowl Mounting Bolt | 1803 | 31. | Anti-squeak—Cowl Mounting | 1803 |
| 10. | Cup—Cab Rear Mounting Insulator | 1803 | 20. | Nut—Cowl Mounting Bolt | 1803 | 32. | Bracket—Cowl Mounting | 1800 |
| | | | 21. | Lockwasher—Cowl Mounting Bolt Nut | 1803 | 33. | Washer—Cowl Mounting Bolt | 1803 |
| | | | 22. | Lockwasher—Cowl Mounting Bolt Nut | 1803 | 34. | Washer—Cowl Mounting | 1803 |
| | | | | | | 35. | Lockwasher—Cowl Mounting Bolt Nut | 1803 |
| | | | | | | 36. | Lockwasher—Cowl Mounting Bolt Nut | 1803 |
| | | | | | | 37. | Bolt—Cowl Mounting | 1803 |
| | | | | | | 38. | Bolt—Cowl Mounting | 1803 |

| Group No. | Part No. | Description | No. Req'd. | |
|-----------|----------|-------------|------------|--------|
| | | | Col. 1 | Col. 2 |

1803 - BATTERY MOUNTS AND CAB MOUNTING (Cont'd)



| Ref. No. | PART NAME | Govt. Group | Ref. No. | PART NAME | Govt. Group | Ref. No. | PART NAME | Govt. Group |
|----------|-----------------------------------|-------------|----------|--------------------------------------|-------------|----------|-----------------------------------|-------------|
| 1. | Nut—Cab Rear Mounting Bolt Pal | 1803 | 12. | Washer—Cab Rear Mounting | 1803 | 25. | Washer—Cowl Mounting Bolt | 1803 |
| 2. | Nut—Cab Rear Mounting Bolt Pal | 1803 | 13. | Washer—Cab Rear Mounting | 1803 | 26. | Washer—Cowl Mounting Bolt | 1803 |
| 3. | Nut—Cab Rear Mounting Bolt | 1803 | 14. | Insulator—Cab Rear Mounting (Bottom) | 1803 | 27. | Anti-squeak—Cowl Mounting | 1803 |
| 4. | Nut—Cab Rear Mounting Bolt | 1803 | 15. | Insulator—Cab Rear Mounting (Bottom) | 1803 | 28. | Bolt—Cowl Mounting | 1803 |
| 5. | Washer—Cab Rear Mounting Bolt | 1803 | 16. | Washer—Cab Rear Mounting Bolt | 1803 | 29. | Bolt—Cowl Mounting | 1803 |
| 6. | Washer—Cab Rear Mounting Bolt | 1803 | 17. | Washer—Cab Rear Mounting Bolt | 1803 | 30. | Bolt—Cowl Mounting | 1803 |
| 7. | Insulator—Cab Rear Mounting (Top) | 1803 | 18. | Bolt—Cab Rear Mounting | 1803 | 31. | Bolt—Cowl Mounting | 1803 |
| 8. | Insulator—Cab Rear Mounting (Top) | 1803 | 19. | Bolt—Cab Rear Mounting | 1803 | 32. | Anti-squeak—Cowl Mounting | 1803 |
| 9. | Cup—Cab Rear Mounting Insulator | 1803 | 20. | Bracket—Cowl Mounting | 1800 | 33. | Washer—Cowl Mounting Bolt | 1803 |
| 10. | Cup—Cab Rear Mounting Insulator | 1803 | 21. | Nut—Cowl Mounting Bolt | 1803 | 34. | Washer—Cowl Mounting Bolt | 1803 |
| 11. | Channel—Cab Rear Support | 1803 | 22. | Nut—Cowl Mounting Bolt | 1803 | 35. | Lockwasher—Cowl Mounting Bolt Nut | 1803 |
| | | | 23. | Lockwasher—Cowl Mounting Bolt | 1803 | 36. | Lockwasher—Cowl Mounting Bolt Nut | 1803 |
| | | | 24. | Lockwasher—Cowl Mounting Bolt | 1803 | 37. | Nut—Cowl Mounting Bolt | 1803 |
| | | | | | | 38. | Nut—Cowl Mounting Bolt | 1803 |
| | | | | | | 39. | Bracket—Cowl Mounting | 1800 |

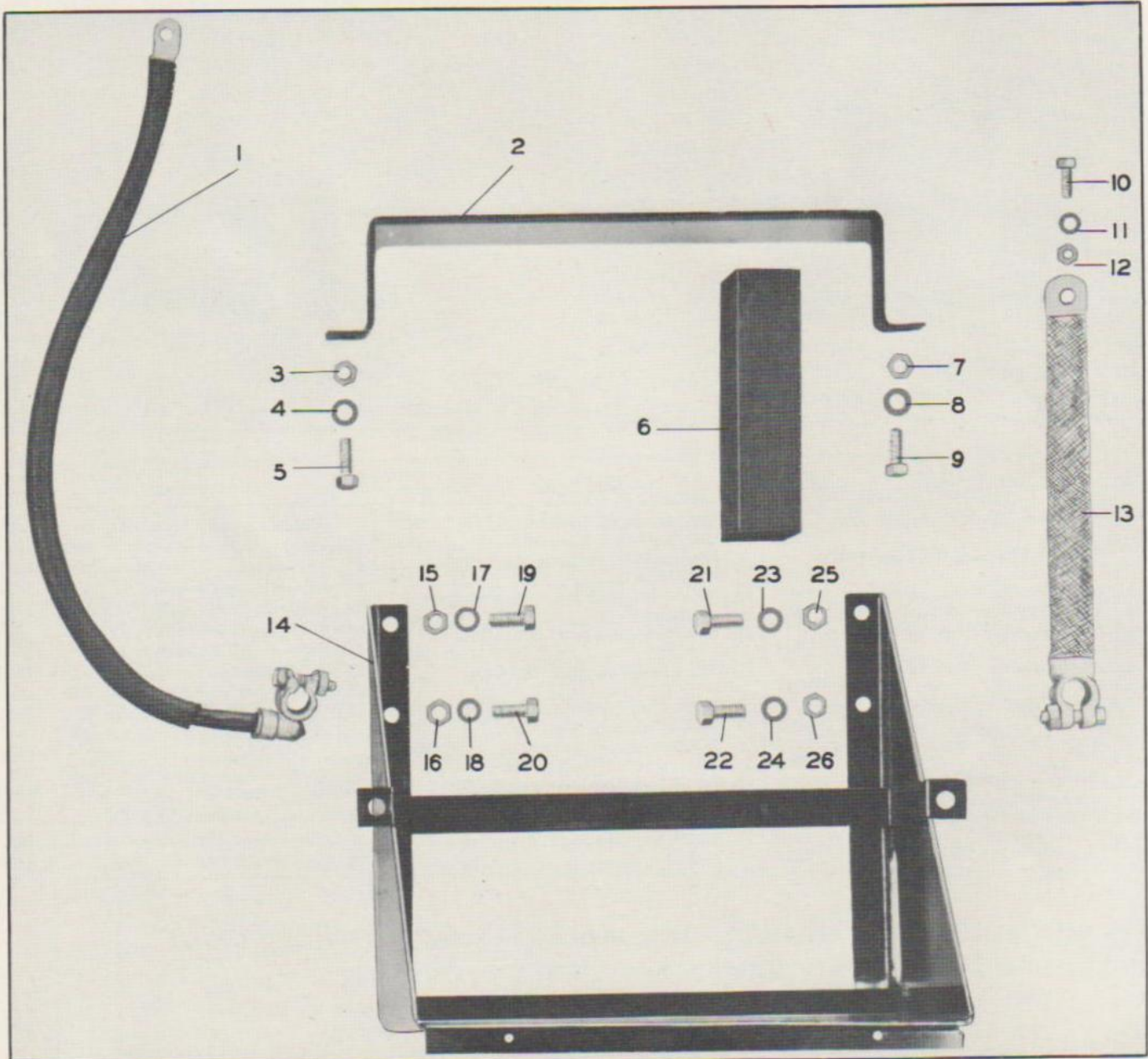
COLUMN #1 - CHASSIS EHIS2637 to 3072, EHID3869 to 3943 & EHTID2273 to 2412

COLUMN #2 - CHASSIS EHUID1425 to 1494 & EHUTID1224 to 1403

| | | | | | |
|-----|----|-----|---|---|---|
| 1 | AX | 225 | Bolt, Cab Rear Mounting (5/8"-18x4-1/2") | 2 | 2 |
| 21 | AX | 346 | Nut, Cab Rear Mounting Bolt (5/8"-18) | 2 | 2 |
| 123 | AX | 36 | Nut, Cab Rear Mounting Bolt Pal (5/8"-18) | 2 | 2 |
| 37 | AX | 35 | Washer, Cab Rear Mounting Bolt (11/16") | 4 | 4 |

1803

| Group No. | Part No. | Description | No. Req'd. | |
|--|----------|---|------------|--------|
| | | | Col. 1 | Col. 2 |
| 1803 - BATTERY MOUNTS AND CAB MOUNTING (Cont'd) | | | | |
| COLUMN #1 - CHASSIS EHIS2637 to 3072, EH1D3869 to 3943 & EHT1D2273 to 2412 | | | | |
| COLUMN #2 - CHASSIS EHUI1D1425 to 1494 & EHUT1D1224 to 1403 | | | | |
| 37 AX | 63 | Washer, Cab Mounting (1-9/64") | 2 | 2 |
| 1 CQ | 204 | Insulator, Cab Rear Mounting (Top) | 2 | 2 |
| 37 MF | 201 | Insulator, Cab Rear Mounting (Bottom) | 2 | 2 |
| 4 CJ | 1111A | Cup, Cab Rear Mounting Insulator | 2 | 2 |
| 15 EH | 177 | Anti-squeak, Cowl Mounting | 2 | - |
| 2 RU | 11 | Anti-squeak, Cowl Mounting | 2 | 2 |
| 1 AX | 41 | Bolt, Cowl Mounting (1/2"-20x1-5/8") | 4 | - |
| 1 AX | 138 | Bolt, Cowl Mounting (1/2"-20x1-3/8") | - | 4 |
| 20 AX | 5 | Nut, Cowl Mounting Bolt (1/2"-20) | 4 | 4 |
| 36 AX | 5 | Lock-Washer, Cowl Mounting Bolt (0.515) | 4 | 4 |
| 37 AX | 28 | Washer, Cowl Mounting Bolt (33/64") | 4 | - |



Refer to page 177 for nomenclature.

| Group No. | Part No. | Description | No. Req'd. | |
|---|----------|-------------|------------|--------|
| | | | Col. 1 | Col. 2 |
| 1803 - BATTERY MOUNTS AND CAB MOUNTING (Cont'd) | | | | |

| Ref. No. | PART NAME | Govt. Group | Ref. No. | PART NAME | Govt. Group | Ref. No. | PART NAME | Govt. Group |
|----------|------------------------------------|-------------|----------|---|-------------|----------|---|-------------|
| 1. | Cable—Starting Switch to Battery | 0610 | 11. | Lockwasher—Battery Ground Strap Mounting Bolt Nut | 0610 | 18. | Lockwasher—Battery Cradle Mounting Bolt Nut | 1803 |
| 2. | Clamp—Battery | 1803 | 12. | Nut—Battery Ground Strap Mounting Bolt | 0610 | 19. | Bolt—Battery Cradle Mounting | 1803 |
| 3. | Nut—Battery Clamp Bolt | 1803 | 13. | Strap—Battery Ground | 0610 | 20. | Bolt—Battery Cradle Mounting | 1803 |
| 4. | Lockwasher—Battery Clamp Bolt Nut | 1803 | 14. | Cradle Complete—Battery Support | 1803 | 21. | Bolt—Battery Cradle Mounting | 1803 |
| 5. | Bolt—Battery Clamp | 1803 | 15. | Nut—Battery Cradle Mounting Bolt | 1803 | 22. | Bolt—Battery Cradle Mounting | 1803 |
| 6. | Spacer—Battery | 1803 | 16. | Nut—Battery Cradle Mounting Bolt | 1803 | 23. | Lockwasher—Battery Cradle Mounting Bolt Nut | 1803 |
| 7. | Nut—Battery Clamp Bolt | 1803 | 17. | Lockwasher—Battery Cradle Mounting Bolt Nut | 1803 | 24. | Lockwasher—Battery Cradle Mounting Bolt Nut | 1803 |
| 8. | Lockwasher—Battery Clamp Bolt Nut | 1803 | | | | 25. | Nut—Battery Cradle Mounting Bolt | 1803 |
| 9. | Bolt—Battery Clamp | 1803 | | | | 26. | Nut—Battery Cradle Mounting Bolt | 1803 |
| 10. | Bolt—Battery Ground Strap Mounting | 0610 | | | | | | |

COLUMN #1 - CHASSIS EHIS2637 to 3072, EHID3869 to 3943 & EHTID2273 to 2412

COLUMN #2 - CHASSIS EHUID1425 to 1494 & EHUTID1224 to 1403

| | | | |
|------------|--|---|---|
| 29 MKA 233 | Cradle Complete, Battery Support | - | 1 |
| 1 AX 230 | Bolt, Battery Cradle Mounting (1/2"-20x1-1/8") | - | 2 |
| 20 AX 5 | Nut, Battery Cradle Mounting Bolt (1/2"-20) | - | 2 |
| 87 QS 21 | Channel, Cab Rear Support | - | 1 |
| 36 AX 5 | Washer, Battery Cradle Mounting Bolt (0.515) | - | 2 |
| 4 MK 111 | Clamp, Battery | 1 | 1 |
| 1 AX 35 | Bolt, Battery Clamp (3/8"-24x1") | 2 | 2 |
| 36 AX 3 | Washer, Battery Clamp Bolt (3/8") | 2 | 2 |
| 20 AX 3 | Nut, Battery Clamp Bolt (3/8"-24) | 2 | 2 |
| 15 EMA 23 | Cradle Complete, Battery Support | 1 | - |
| 1 AX 33 | Bolt, Battery Cradle Mounting (3/8"-24x7/8") | 4 | - |
| 20 AX 3 | Nut, Battery Cradle Mounting Bolt (3/8"-24) | 4 | - |
| 36 AX 3 | Washer, Battery Cradle Mounting Bolt (3/8") | 4 | - |

1804 - SEATS

CHASSIS EHUID1425 to 1494 & EHUTID1224 to 1403

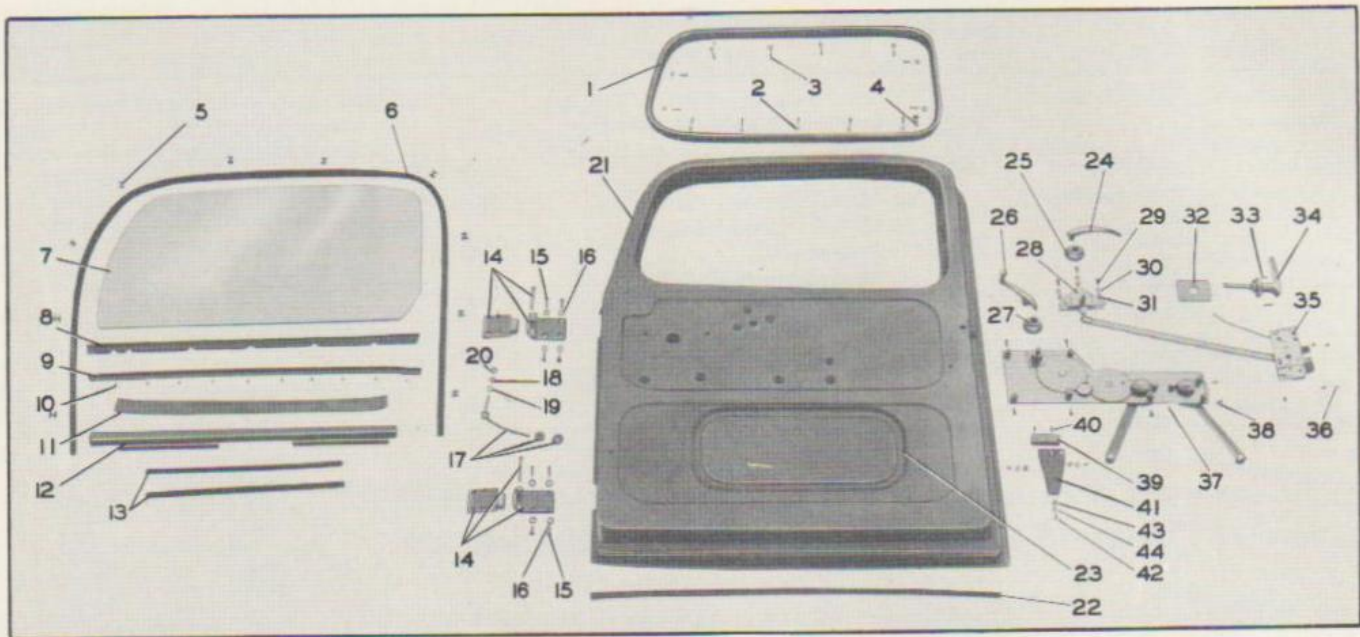
| | | | No. Req'd |
|------------|---|--|-----------|
| 66 QS 348 | Cushion Assembly, Seat RH | | 1 |
| 66 QS 349 | Cushion Assembly, Seat LH | | 1 |
| 15 EH 176 | Dowel, Seat Cushion | | 4 |
| 25 AX 14 | Rivet, Seat Cushion Dowel (3/16"x3/4") | | 8 |
| 37 AX 39 | Washer, Seat Cushion Dowel Rivet (13/64") | | 8 |
| 68 QS 349 | Cushion Assembly, Seat Back LH | | 1 |
| 68 QS 337 | Cushion Assembly, Seat Back RH | | 1 |
| 69 QS 17 | Bracket, Seat Cushion Support (Lower) | | 1 |
| 69 QS 18 | Bracket, Seat Support RH Cushion | | 1 |
| 132 AX 259 | Screw, Seat Support Bracket RH (#8x1/2") | | 4 |
| 14 AX 4 | Screw, Seat Cushion Mounting Plate (#10x2") | | 2 |

CHASSIS EHIS2637 to 3072, EHID3869 to 3943 & EHTID2273 to 2412

| | | | |
|---------------|---|--|---|
| 66 QS 342-P1 | Cushion Assembly, Seat RH | | 1 |
| 66 QS 343-P1 | Cushion Assembly, Seat LH | | 1 |
| 15 EH 176 | Dowel, Seat Cushion | | 4 |
| 25 AX 14 | Rivet, Seat Cushion Dowel (3/16" x 3/4") | | 8 |
| 37 AX 39 | Washer, Seat Cushion Dowel Rivet (13/64") | | 8 |
| 68 QSA 330-P1 | Cushion Assembly, Seat Back | | 1 |

| Group No. | Part No. | Description | No. Req'd |
|-----------|----------|-------------|-----------|
|-----------|----------|-------------|-----------|

1805 - HANDLES, LOCKS, ETC., DOOR COMPLETE, DOOR & WINDOW FITTINGS



| Ref. No. | PART NAME | Govt. Group | Ref. No. | PART NAME | Govt. Group | Ref. No. | PART NAME | Govt. Group |
|----------|---|-------------|----------|---|-------------|----------|--|-------------|
| 1. | Moulding—Cab Door Garnish | 1805 | 17. | Check—Cab Door | 1805 | 33. | Screw—Cab Door Handle Tapping Plate | 1805 |
| 2. | Washer—Cab Door Garnish Moulding Screw (.166) | 1805 | 18. | Nut—Cab Door Check | 1805 | 34. | Handle—Cab Door (Outside) | 1805 |
| 3. | Screw—Cab Door Garnish Moulding (#6 x 7/8") | 1805 | 19. | Washer—Cab Door Check | 1805 | 35. | Lock—Cab Door | 1805 |
| 4. | Knob—Cab Door Lock | 1805 | 20. | Nut—Cab Door Check Pal | 1805 | 36. | Screw—Cab Door Lock Mounting (#12-24 x 1/2") | 1805 |
| 5. | Fastener—Cab Door Glass Felt Channel (#99290) | 1805 | 21. | Door Assembly—Cab | 1805 | 37. | Regulator—Cab Door Window | 1805 |
| 6. | Channel—Cab Door Glass Felt | 1805 | 22. | Rubber—Cab Door Sealing | 1805 | 38. | Screw—Cab Door Window Regulator (#12-24 x 1/2") | 1805 |
| 7. | Glass—Cab Door | 1809 | 23. | Screw—Cab Door Removable Panel | 1805 | 39. | Bumper—Cab Door Window Glass | 1805 |
| 8. | Weatherstrip—Cab Door (Inner) | 1805 | 24. | Handle—Cab Door (Inside) | 1805 | 40. | Rivet—Cab Door Window Glass Bumper (#10 x 1/8") | 1805 |
| 9. | Weatherstrip—Cab Door (Outer) | 1805 | 25. | Escutcheon—Cab Door Handle (Inside) | 1805 | 41. | Bracket—Cab Door Window Stop | 1805 |
| 10. | Screw—Cab Door Weatherstrip (#4 x 3/8") | 1805 | 26. | Crank—Cab Door Window | 1805 | 42. | Screw—Cab Door Window Stop Bracket (#10-32 x 3/8") | 1805 |
| 11. | Weatherstrip—Cab Door Window Regulator | 1805 | 27. | Escutcheon—Cab Door Window Crank | 1805 | 43. | Nut—Cab Door Window Stop Bracket Screw (#10-32) | 1805 |
| 12. | Channel—Window Regulator | 1805 | 28. | Operator—Cab Door | 1805 | 44. | Washer—Cab Door Window Stop Bracket Screw (0.200) | 1805 |
| 13. | Guide—Cab Door Glass | 1805 | 29. | Screw—Cab Door Handle (Inside) (1/4"-28 x 1/2") | 1805 | | | |
| 14. | Hinge—Cab Door | 1805 | 30. | Washer—Cab Door Handle Screw (Inside) (1/4") | 1805 | | | |
| 15. | Screw—Cab Door Hinge (1/4" x 20 x 3/4") | 1805 | 31. | Nut—Cab Door Handle Screw (Inside) (1/4"-28) | 1805 | | | |
| 16. | Washer—Cab Door Hinge Screw (#16) | 1805 | 32. | Plate—Cab Door Handle Tapping | 1805 | | | |

| | | | |
|-----|-----------|--|----|
| 31 | QSA 59-P1 | Door Assembly, Cab RH (Models EH & EHT) | 1 |
| 31 | QSA 59-P2 | Door Assembly, Cab LH (Models EH & EHT) | 1 |
| 31 | QSA 59-P3 | Door Assembly, Cab RH (Models EHU & EHUT) | 1 |
| 31 | QSA 59-P4 | Door Assembly, Cab LH (Models EHU & EHUT) | 1 |
| 49 | QS 27 | Channel, Window Regulator RH | 1 |
| 49 | QS 28 | Channel, Window Regulator LH | 1 |
| 196 | QS 11 | Weatherstrip, Cab Door Window Regulator | 2 |
| 35 | RU 13 | Weatherstrip, Cab Door (Inner) | 2 |
| 35 | RU 15 | Weatherstrip, Cab Door (Outer) | 2 |
| 75 | AX 357 | Screw, Cab Door Weatherstrip (#4 x 3/8") | 20 |
| 38 | QS 31-P1 | Moulding, Cab Door Garnish RH | 1 |
| 38 | QS 32-P1 | Moulding, Cab Door Garnish LH | 1 |
| 131 | AX 158 | Screw, Cab Door Garnish Moulding (#6x7/8") | 26 |
| 35 | AX 74 | Washer, Cab Door Garnish Moulding Screw (.166) | 26 |
| 42 | QS 11 | Guide, Cab Door Glass | 4 |
| 15 | EH 178 | Channel, Cab Door Glass Felt | 2 |

| Group No. | Part No. | Description | No. Req'd |
|---|------------|--|-----------|
| 1805 - HANDLES, LOCKS, ETC., DOOR COMPLETE, DOOR & WINDOW FITTINGS (Cont'd) | | | |
| | 73 AX 33 | Fastener, Cab Door Glass Felt Channel (#99290) | 20 |
| | 8 RU 13 | Hinge, Cab Door RH | 2 |
| | 8 RU 14 | Hinge, Cab Door LH | 2 |
| | 103 AX 41 | Screw, Cab Door Hinge (1/4"-20x3/4") | 16 |
| | 35 AX 623 | Washer, Cab Door Hinge Screw (#16) | 16 |
| | 188 QS 12 | Rubber, Cab Door Sealing (Models EH & EHT) | 2 |
| | 49 AX 51 | Plug, Arm Rest Hole (13/32") | 2 |
| | 187 QS 11 | Knob, Cab Door Lock | 2 |
| | 188 QS 13 | Rubber, Cab Door Sealing (Models EHU & EHUT) | 2 |
| | 15 EH 336 | Regulator, Cab Door Window RH | 1 |
| | 15 EH 337 | Regulator, Cab Door Window LH | 1 |
| | 6 AX 257 | Screw, Cab Door Window Regulator (#12-24x1/2") | 14 |
| | 15 EH 175 | Crank, Cab Door Window | 2 |
| | 15 EH 171 | Escutcheon, Cab Door Window Crank | 2 |
| | 15 EH 1187 | Bumper, Cab Door Window Glass Rubber | 2 |
| | 28 AX 44 | Rivet, Cab Door Window Glass Rubber Bumper (#10x7/16") | 4 |
| | 15 EH 174 | Handle, Cab Door (Inside) | 2 |
| | 15 EH 170 | Escutcheon, Cab Door Handle (Inside) | 2 |
| | 8 AX 155 | Screw, Cab Door Handle (Inside) (1/4"-28x1/2") | 6 |
| | 20 AX 1 | Nut, Cab Door Handle Screw (Inside) (1/4"-28) | 6 |
| | 36 AX 1 | Washer, Cab Door Handle Screw (Inside) (1/4") | 6 |
| | 15 EJ 147 | Handle, Cab Door (Outside) RH | 1 |
| | 15 EH 173 | Handle, Cab Door (Outside) LH | 1 |
| | 8 AX 3 | Screw, Cab Door Handle (Outside) LH (#8-32x1/2") | 1 |
| | 35 AX 242 | Washer, Cab Door Handle Screw (Outside) LH (.172) | 1 |
| | 37 AX 175 | Washer, Cab Door Handle Screw (Outside) LH (3/16") | 1 |
| | 38 RU 157 | Plate, Cab Door Handle Tapping | 2 |
| | 103 AX 35 | Screw, Cab Door Handle Tapping Plate (#10-32x7/8") | 4 |
| | 47 QS 22 | Bracket, Cab Door Window Stop | 2 |
| | 8 AX 119 | Screw, Cab Door Window Stop Bracket (#10-32x3/8") | 6 |
| | 53 AX 6 | Nut, Cab Door Window Stop Bracket Screw (#10-32) | 6 |
| | 36 AX 14 | Washer, Cab Door Window Stop Bracket Screw (0.200) | 6 |
| | 10 AX 68 | Screw, Cab Door Lock Mounting (#12-24x1/2") | 10 |
| | 103 AX 33 | Screw, Cab Door Channel Anchor (#12-24x13/16") | 2 |
| | 180 QS 25 | Stiffener, Cab Door Panel | 2 |
| | 133 AX 106 | Screw, Cab Door Panel (#8x3/8") (Removable) | 12 |
| | 15 EH 58 | Panel, Cab Door RH | 1 |
| | 15 EH 59 | Panel, Cab Door LH | 1 |
| | 184 QS 21 | Lock, Cab Door RH | 1 |
| | 184 QS 22 | Lock, Cab Door LH | 1 |
| | 62 QS 14 | Operator, Cab Door RH | 1 |
| | 62 QS 15 | Operator, Cab Door LH | 1 |
| | 54 QS 12 | Bumper, Door Rubber | 4 |
| | 133 AX 52 | Screw, Door Rubber Bumper (#12x1") | 4 |
| | 44 RU 1313 | Spacer, Door Keeper | 2 |
| | 61 QS 11 | Check, Cab Door | 2 |
| | 22 AX 1 | Nut, Cab Door Check (5/16"-18) | 2 |
| | 37 AX 29 | Washer, Cab Door Check (1/16"x21/64"x7/8") | 2 |
| | 123 AX 9 | Nut, Cab Door Check Pal (5/16"-18) | 2 |
| | 186 QS 11 | Keeper Assembly, Cab Door Lock RH | 1 |
| | 186 QS 12 | Keeper Assembly, Cab Door Lock LH | 1 |
| | 130 AX 83 | Screw, Cab Door Lock Keeper (#12-24 x 5/8") | 8 |
| | 35 AX 676 | Washer, Cab Door Lock Keeper Screw (#12 x 7/16") | 8 |
| | 103 AX 41 | Screw, Cab Door Hinge (1/4"-20 x 3/4") | 16 |
| | 35 AX 623 | Washer, Cab Door Hinge Screw (#16 x 33/64") | 16 |

1806
1807

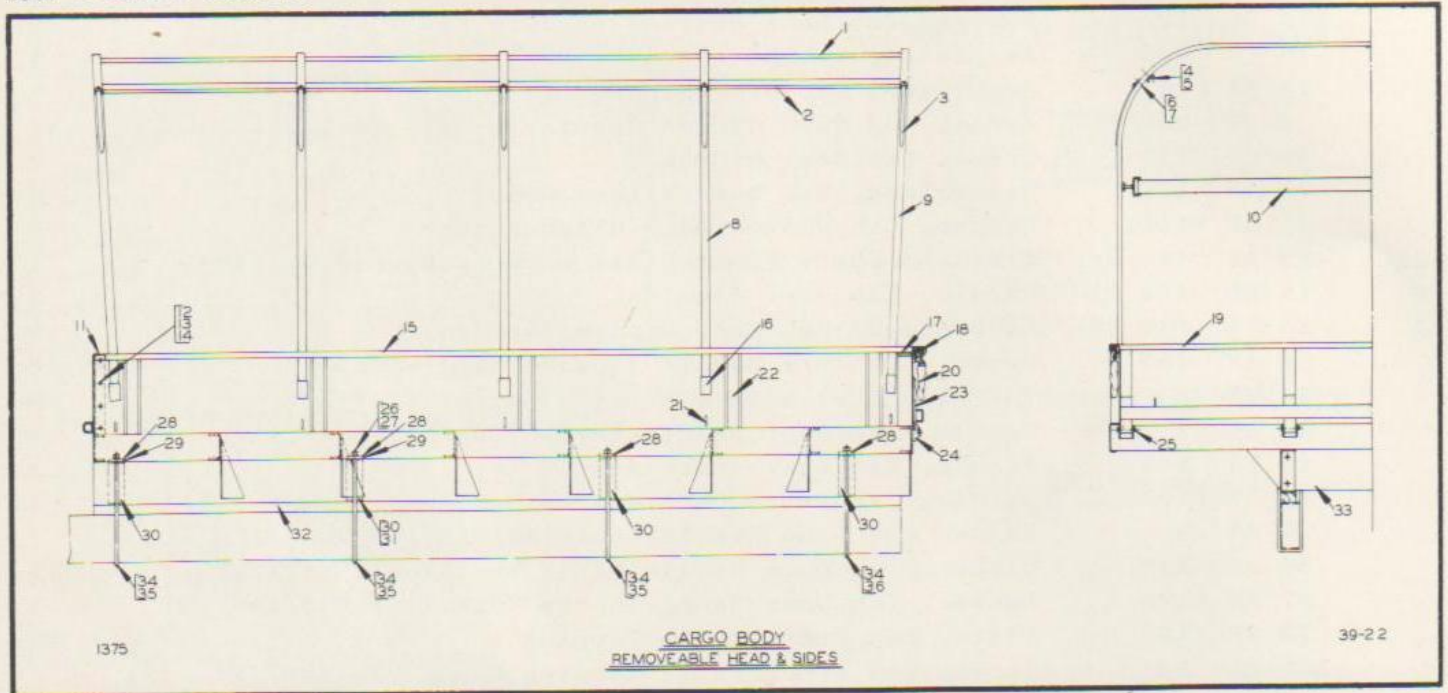
| Group No. | Part No. | Description | No. Req'd |
|-----------|----------|-------------|-----------|
|-----------|----------|-------------|-----------|

1806 - TOOL BOX

CHASSIS EHUID1425 to 1494 & EHUTID1224 to 1403

| | | | |
|--------|-----|----------------------------------|---|
| 8 RC | 21 | Box, Tool | 1 |
| 130 AX | 222 | Screw, Tool Box (#10-24 x 7/16") | 4 |
| 53 AX | 1 | Nut, Tool Box Screw (#10-24) | 4 |
| 36 AX | 1 | Washer, Tool Box Screw (1/4") | 4 |

1807 - BODY PARTS



| Ref. No. | PART NAME | Govt. Group | Ref. No. | PART NAME | Govt. Group | Ref. No. | PART NAME | Govt. Group |
|----------|-----------------------|-------------|----------|--------------------------|-------------|----------|--|-------------|
| 1. | Pole, Center Ridge | 2310 | 13. | Nut | 1807 | 25. | Pin & Cotter, Tailgate to Hinge | 1807 |
| 2. | Pole, Side Ridge | 2310 | 14. | Lockwasher | 1807 | 26. | Nut (21AX38) | 1807 |
| 3. | Straps, Roll-Up | 2310 | 15. | Sheet Assembly, Side | 1807 | 27. | Lockwasher (36AX7) | 1807 |
| 4. | Bolt, Carriage | 1807 | 16. | Pocket, Bow | 1807 | 28. | Plates, Bolt | 1807 |
| 5. | Nut, Wing | 1807 | 17. | Loop, Chain | 1807 | 29. | Plates, Bolt (5493-10) | 1807 |
| 6. | Bolt, Oven Head Stove | 1807 | 18. | Bar, Tailgate Latch | 1807 | 30. | Block, Steel Filler (Longitudinal) | 1807 |
| 7. | Washer, Flat | 1807 | 19. | Tailgate Assembly | 1807 | 31. | Block, Steel Filler (Longitudinal) (7446-7-10) | 1807 |
| 8. | Bows | 2310 | 20. | Chain Assembly, Tailgate | 1807 | 32. | Sills, Wood | 1807 |
| 9. | Bow (With "D" Rings) | 2310 | 21. | Ring, "D" | 1807 | 33. | Spacer, Sill | 1807 |
| 10. | Strap, Safety | 2310 | 22. | Stake | 1807 | 34. | Bolt, "U" | 1807 |
| 11. | Sheet Assembly, Head | 1807 | 23. | Hinge, Tailgate (Upper) | 1807 | 35. | Bolt, "U" (Long) | 1807 |
| 12. | Screw, Cap | 1807 | 24. | Hinge, Tailgate (Lower) | 1807 | 36. | Bolt, "U" (Short) | 1807 |

COLUMN #1 - BODY FOR CHASSIS EH1S2637 to 2831 and EHUID1445 to 1494

COLUMN #2 - BODY FOR CHASSIS EH1S3040 to 3072, EHID3869 to 3888 and EHID3907 to 3943

COLUMN #3 - BODY FOR CHASSIS EH1S2833 to 2864 and EHID3889 to 3906

COLUMN #4 - BODY FOR CHASSIS EH1S2865 to 3039 and EHUID1425 to 1444

Perfection
Body No.

7418-1B

Sheet Assembly, Side (RH & LH) Complete with Stakes, Bow Pockets, Tailgate Chain, "D" Rings, etc.

7415-1B

Sheet Assembly, Side (RH & LH) Complete with Stakes, Bow Pockets, Tailgate Chain, "D" Rings, etc.

| No. Req'd | | | |
|-----------|--------|--------|--------|
| Col. 1 | Col. 2 | Col. 3 | Col. 4 |
| 2 | - | - | - |
| - | 2 | - | - |

| Group No. | Perfection Body No. | Description | No. Req'd | | | |
|-----------|---------------------|-------------|-----------|--------|--------|--------|
| | | | Col. 1 | Col. 2 | Col. 3 | Col. 4 |

1807 - BODY PARTS (Cont'd)

COLUMN #1 - BODY FOR CHASSIS EH1S2637 to 2831 and EHUID1445 to 1494

COLUMN #2 - BODY FOR CHASSIS EH1S3040 to 3072, EH1D3869 to 3888 and EH1D3907 to 3943

COLUMN #3 - BODY FOR CHASSIS EH1S2833 to 2864 and EH1D3889 to 3906

COLUMN #4 - BODY FOR CHASSIS EH1S2865 to 3039 and EHUID1425 to 1444

| | | | | | |
|-----------|---|----|----|----|----|
| 7416-1B | Sheet Assembly, Side (RH & LH) Complete with Stakes, Bow Pockets, Tailgate Chain, "D" Rings, etc. | - | - | 2 | - |
| 7417-1B | Sheet Assembly, Side (RH & LH) Complete with Stakes, Bow Pockets, Tailgate Chain, "D" Rings, etc. | - | - | - | 2 |
| 7418-1C | Sheet Assembly, Head (Complete with Front Corner Angles) | 1 | - | - | - |
| 7415-1C | Sheet Assembly, Head (Complete with Front Corner Angles) | - | 1 | - | - |
| 7416-1C | Sheet Assembly, Head (Complete with Front Corner Angles) | - | - | 1 | - |
| 7417-1C | Sheet Assembly, Head (Complete with Front Corner Angles) | - | - | - | 1 |
| 7418-1D | Tailgate Assembly (Complete with Hinges, Latches and "D" Rings) | 1 | - | - | - |
| 7415-1D | Tailgate Assembly (Complete with Hinges, Latches and "D" Rings) | - | 1 | - | - |
| 7416-1D | Tailgate Assembly (Complete with Hinges, Latches and "D" Rings) | - | - | 1 | - |
| 7417-1D | Tailgate Assembly (Complete with Hinges, Latches and "D" Rings) | - | - | - | 1 |
| 7056-7-10 | Block, Steel Filler (Longitudinal) | 10 | 10 | 8 | 6 |
| 7446-7-10 | Block, Steel Filler (Longitudinal) | - | - | - | 2 |
| 7434-5 | Sills, Wood (Chassis #EH1S2637 to 2831) | 2 | - | - | - |
| 7434-1 | Sills, Wood (Chassis #EH1D3924 to 3943 and #EH1D3869 to 3888) | - | 2 | - | - |
| 7434-2 | Sills, Wood | - | - | 2 | - |
| 7434-3 | Sills, Wood (Chassis #EH1S2865 to 3039) | - | - | - | 2 |
| 7434-6 | Sills, Wood (Chassis #EHUID1445 to 1494) | 2 | - | - | - |
| 7434-1A | Sills, Wood (Chassis #EH1S3040 to 3072 and #EH1D3907 to 3923) | - | 2 | - | - |
| 7434-4 | Sills, Wood (Chassis #EHUID1425 to 1444) | - | - | - | 2 |
| 6437 | Pin & Cotter, Tailgate to Hinge | 4 | 4 | 4 | 4 |
| 5493-9 | Plates, Bolt | 10 | 8 | 12 | 8 |
| 5493-10 | Plates, Bolt | - | 4 | 4 | - |
| 6916-6 | Bolt, "U" | 10 | 12 | 4 | 8 |
| 7433 | Stake | 12 | 10 | 10 | 10 |
| 6436 | Pocket, Bow | 12 | 10 | 10 | 10 |
| 6577-1 | Ring, "D" | 18 | 16 | 16 | 16 |
| 7432 | Chain Assembly, Tailgate (Complete with Hook, Artificial Leather Cover & Rivet) | 2 | 2 | 2 | 2 |
| 6443 | Loop, Chain | 2 | 2 | 2 | 2 |
| 7421-13 | Spacer, Sill | 3 | 2 | 2 | 3 |
| 7429 | Hinge, Tailgate (Upper) | 4 | 4 | 4 | 4 |
| 6439 | Hinge, Tailgate (Lower) | 4 | 4 | 4 | 4 |
| 7430 | Rar, Tailgate Latch | 2 | 2 | 2 | 2 |
| 6383-10 | Bolts, "U" (Long) | - | 4 | 4 | - |
| 6916-7 | Bolts, Short "U" | - | 4 | 4 | - |

**1807
2101**

| Group No. | Part No. | Description | No. Req'd | | | |
|-----------|----------|-------------|-----------|--------|--------|--------|
| | | | Col. 1 | Col. 2 | Col. 3 | Col. 4 |

1807 - BODY PARTS (Cont'd)

COLUMN #1 - BODY FOR CHASSIS EH1S2637 to 2831 and EHUID1445 to 1494
 COLUMN #2 - BODY FOR CHASSIS EH1S3040 to 3072, EH1D3869 to 3888 and EH1D3907 to 3943
 COLUMN #3 - BODY FOR CHASSIS EH1S2833 to 2864 and EH1D3889 to 3906
 COLUMN #4 - BODY FOR CHASSIS EH1S2865 to 3039 and EHUID1425 to 1444

| | | | | | | |
|-------|-----|--------------------------------------|----|----|----|----|
| 37 AX | 158 | Washer, Flat (5/16") | 24 | 20 | 20 | 10 |
| 1 AX | 35 | Screw, Cap (3/8" x 1") | 28 | 22 | 22 | 26 |
| 20 AX | 3 | Nut (3/8" SAE) | 28 | 22 | 22 | 22 |
| 11 AX | 1 | Bolt, Carriage (5/16" x 1-1/2") | 18 | 15 | 15 | 15 |
| 23 AX | 33 | Nut, Wing (5/16" USS) | 20 | 15 | 15 | 15 |
| 36 AX | 7 | Washer, Lock (5/8") | 20 | 16 | 16 | 16 |
| 36 AX | 3 | Washer, Lock (3/8") | 28 | 22 | 22 | 26 |
| 21 AX | 38 | Nut (5/8" SAE) | 20 | 16 | 16 | 16 |
| 21 SZ | 79 | Bolt, Oven Head Stove (5/16" x 3/4") | 12 | 10 | 10 | 10 |

1809 - GLASS, WINDOW & WINDSHIELD

| | | | | | | No. Req'd |
|-------|-----|--|--|--|--|-----------|
| 9 QT | 28 | Glass, Windshield (Conventional Cab Chassis) | | | | 1 |
| 9 QT | 29 | Glass, Windshield (Cab over Engine Chassis) | | | | 1 |
| 40 QS | 32 | Glass, Cab Door | | | | 2 |
| 15 EH | 247 | Glass, Rear Window | | | | 2 |

21 - BUMPERS AND GUARDS

2101 - BUMPERS

Models EH & EHT

| | | | | | | |
|-------|-----|------------------------|--|--|--|---|
| 24 QL | 342 | Bumper Complete, Front | | | | 1 |
|-------|-----|------------------------|--|--|--|---|

COMPONENT PARTS OF FRONT BUMPER 24QL342

| | | | | | | |
|--------|-----|---|--|--|--|---|
| 21 SW | 35 | Bar, Front | | | | 1 |
| 22 SW | 30 | Bar, Back | | | | 1 |
| 21 SZ | 42 | Bolt, End | | | | 2 |
| 21 SZ | 42 | Bolt, Center | | | | 2 |
| 261 SZ | 72 | Nut, End Bolt | | | | 2 |
| 261 SZ | 72 | Nut, Center Bolt | | | | 2 |
| 441 SZ | 79 | Washer | | | | 4 |
| 1 AX | 62 | Bolt, Front Bumper (5/8"-18 x 2") | | | | 2 |
| 20 AX | 7 | Nut, Front Bumper Bolt (5/8"-18) | | | | 2 |
| 36 AX | 7 | Washer, Front Bumper Clamp Bolt (0.655) | | | | 2 |
| 37 AX | 93 | Washer, Bumper Mounting Bolt Plain (21/32") | | | | 2 |
| 15 EH | 252 | Seal, Bumper Bracket & Fender RH | | | | 1 |
| 15 EH | 253 | Seal, Bumper Bracket & Fender LH | | | | 1 |

Models EHU & EHUT

| | | | | | | |
|-------|-----|------------------------|--|--|--|---|
| 24 QL | 32B | Bumper Complete, Front | | | | 1 |
|-------|-----|------------------------|--|--|--|---|

| Group No. | Part No. | Description | No. Req'd |
|-----------|----------|-------------|-----------|
|-----------|----------|-------------|-----------|

2101 - BUMPERS (Cont'd)

COMPONENT PARTS OF FRONT BUMPER 24QL32B

| | | | |
|--------|----|---|---|
| 21 SW | 20 | Bar, Front | 1 |
| 22 SW | 22 | Bar, Back | 1 |
| 21 SZ | 42 | Bolt, End | 1 |
| 21 SZ | 42 | Bolt, Center | 2 |
| 261 SZ | 72 | Nut, End Bolt | 2 |
| 261 SZ | 72 | Nut, Center Bolt | 2 |
| 441 SZ | 79 | Washer | 4 |
| 1 AX | 62 | Bolt, Front Bumper Mounting (5/8"-18x2") | 2 |
| 20 AX | 7 | Nut, Front Bumper Mounting Bolt (5/8"-18) | 2 |
| 36 AX | 7 | Washer, Front Bumper Mounting Bolt Lock (0.655) | 2 |
| 37 AX | 93 | Washer, Front Bumper Mounting Bolt Plain (21/32") | 2 |

2102 - BUMPER BRACKET

REFER TO GROUP 1503

22 - MISCELLANEOUS BODY & CHASSIS ACCESSORIES

2201 - REAR VIEW MIRROR

| | | | |
|-------|--------|--|---|
| 72 QS | 234-P2 | Mirror, Rear View | 1 |
| 3 AX | 1011 | Screw, Rear View Mirror Mounting (1/4"-28 x 3-1/16") | 1 |
| 20 AX | 1 | Nut, Rear View Mirror Mounting Screw (1/4"-28) | 1 |
| 35 AX | 323 | Washer, Rear View Mirror Mounting Screw (1/4") | 1 |
| 7 AX | 195 | Screw, Rear View Mirror Set (1/4"-20 x 11/16") | 1 |
| 22 AX | 19 | Nut, Rear View Mirror Set Screw (1/4"-20) | 1 |

2202 - IDENTIFICATION & CAUTION PLATE

| | | | |
|--------|------|---|---|
| 15 BX | 1294 | Plate, Chassis Name | 1 |
| 75 AX | 230 | Screw, Chassis Name Plate (#8 x 3/8") | 4 |
| 13 AX | 50 | Screw, Gear Shifter Plate (#4 x 3/8") | 4 |
| 27 RU | 11 | Plate, Lubricating Name | 1 |
| 11 MY | 110 | Plate, Gear Shifter Instruction (TR30 & TR31 O.D. Transmission) | 1 |
| 11 MY | 111 | Plate, Gear Shifter Instruction (TR30 & TR31 Direct Transmission) | 1 |
| 11 MY | 153 | Plate, Gear Shifter Instruction (TRD31 Direct Transmission) | 1 |
| 11 MY | 121 | Plate, Gear Shifter Instruction (TRD31 O.D. Transmission) | 1 |
| 346 KC | 12 | Plate, Name | 1 |
| 27 RU | 143 | Plate, Patent Number (TRD31 Transmission) | 1 |
| 75 AX | 9 | Screw, Name Plate (#2 x 3/16") | 4 |
| 75 AX | 412 | Screw, Patent Number Plate (#4x3/16") (TRD31 Transmission) | 2 |

| Group No. | Part No. | Description | No. Req'd |
|-----------|----------|---|-----------|
| 15 EJ | 330 | Speedometer | 1 |
| 98 AX | 511 | Cable, Speedometer (TRD31 Transmission) (Model EH & EHT) (80") | 1 |
| 98 AX | 510 | Cable, Speedometer (TR30 Transmission) (Model EH) (76") | 1 |
| 98 AX | 509 | Cable, Speedometer (TR30 & 31 Transmission) (Model EHT) (72") | 1 |
| 98 AX | 522 | Cable, Speedometer (TR30 & 31 Transmission) (Models EHU & EHUT) (120") | 1 |
| 83 AX | 308 | Clamp, Speedometer Cable Dash Sheet (Model EH) (1/4") | 1 |
| 83 AX | 31 | Clamp, Speedometer Cable (Model EHT) (3/8") | 1 |
| 87 AX | 1 | Grommet, Speedometer Cable Dash Sheet (3/8") | 1 |
| 83 AX | 31 | Clamp, Speedometer Flexible Shaft Clamp (Models EHU & EHUT) (3/8") | 1 |
| 1 AX | 11 | Bolt, Speedometer Flexible Shaft Clamp (Models EHU & EHUT) (3/8"-24 x 1-1/8") | 1 |
| 20 AX | 3 | Nut, Speedometer Flexible Shaft Clamp (Models EHU & EHUT) (3/8"-24) | 1 |
| 36 AX | 3 | Washer, Speedometer Flexible Shaft Clamp (Models EHU & EHUT) (3/8") | 1 |

| Group No. | Part No. | Description |
|-----------|----------|-------------|
|-----------|----------|-------------|

| No. Req'd |
|-----------|
|-----------|

23 - GENERAL USE, STANDARDIZED PARTS GROUP

2301 - BRAKE FLUID, FUELS AND LUBRICANTS

10 EH 1127 Fluid, Hydraulic Brake

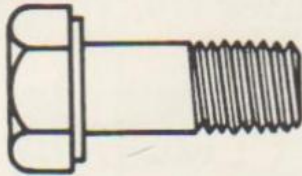
AsReq.

2304 - MISCELLANEOUS BOLTS, NUTS, SCREWS, WASHERS & RIVETS

| Part No. | Size | No. Req'd |
|----------|------|-----------|
|----------|------|-----------|

| Part No. | Size | No. Req'd |
|----------|------|-----------|
|----------|------|-----------|

S.A.E. HEXAGON HEAD SCREWS

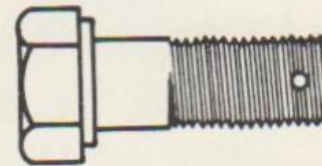


| | | |
|----------|-------------------|----|
| 1 AX 73 | 1/4"-28 x 1/4" | 26 |
| 1 AX 8 | 1/4"-28 x 5/8" | 9 |
| 1 AX 374 | 1/4"-28 x 3/4" | 3 |
| 1 AX 126 | 1/4"-28 x 1" | 8 |
| 1 AX 120 | 5/16"-24 x 5/8" | 21 |
| 1 AX 110 | 5/16"-24 x 3/4" | 16 |
| 1 AX 19 | 5/16"-24 x 7/8" | 4 |
| 1 AX 36 | 5/16"-24 x 1-1/4" | 4 |
| 1 AX 2 | 5/16"-24 x 1-3/8" | 16 |
| 1 AX 6 | 5/16"-24 x 1-3/4" | 3 |
| 1 AX 407 | 5/16"-24 x 3" | 4 |
| 1 AX 238 | 5/16"-24 x 3-1/8" | 4 |
| 1 AX 160 | 3/8"-24 x 5/8" | 2 |
| 1 AX 7 | 3/8"-24 x 11/16" | 6 |
| 1 AX 111 | 3/8"-24 x 3/4" | 3 |
| 1 AX 33 | 3/8"-24 x 7/8" | 60 |
| 1 AX 35 | 3/8"-24 x 1" | 60 |
| 1 AX 11 | 3/8"-24 x 1-1/8" | 1 |
| 1 AX 23 | 3/8"-24 x 1-3/16" | 12 |
| 1 AX 222 | 3/8"-24 x 1-3/16" | 2 |
| 1 AX 24 | 3/8"-24 x 1-1/4" | 16 |
| 1 AX 17 | 3/8"-24 x 1-3/8" | 2 |
| 1 AX 13 | 3/8"-24 x 1-1/2" | 4 |
| 1 AX 34 | 3/8"-24 x 2" | 9 |
| 1 AX 27 | 3/8"-24 x 3" | 1 |
| 1 AX 95 | 3/8"-24 x 3-1/4" | 1 |
| 1 AX 112 | 7/16"-20 x 7/8" | 5 |
| 1 AX 161 | 7/16"-20 x 15/16" | 1 |
| 1 AX 39 | 7/16"-20 x 1-3/4" | 3 |
| 1 AX 90 | 7/16"-20 x 2-1/2" | 1 |
| 1 AX 129 | 1/2"-20 x 1" | 1 |
| 1 AX 230 | 1/2"-20 x 1-1/8" | 27 |
| 1 AX 42 | 1/2"-20 x 1-1/4" | 76 |
| 1 AX 138 | 1/2"-20 x 1-3/8" | 4 |
| 1 AX 202 | 1/2"-20 x 1-7/16" | 8 |
| 1 AX 60 | 1/2"-20 x 1-1/2" | 22 |
| 1 AX 41 | 1/2"-20 x 1-5/8" | 8 |
| 1 AX 108 | 1/2"-20 x 1-3/4" | 24 |
| 1 AX 59 | 1/2"-20 x 2" | 2 |
| 1 AX 275 | 1/2"-20 x 2" | 4 |

| | | |
|----------|------------------|----|
| 1 AX 76 | 1/2"-20 x 2-1/4" | 8 |
| 1 AX 145 | 1/2"-20 x 2-5/8" | 2 |
| 1 AX 77 | 1/2"-20 x 3-1/4" | 6 |
| 1 AX 113 | 1/2"-20 x 6-1/8" | 4 |
| 1 AX 231 | 5/8"-18 x 1-1/2" | 4 |
| 1 AX 263 | 5/8"-18 x 1-1/2" | 32 |
| 1 AX 168 | 5/8"-18 x 1-3/8" | 4 |
| 1 AX 62 | 5/8"-18 x 2" | 4 |
| 1 AX 97 | 5/8"-18 x 2-1/4" | 2 |
| 1 AX 140 | 5/8"-18 x 3" | 2 |
| 1 AX 141 | 5/8"-18 x 3-3/4" | 8 |
| 1 AX 225 | 5/8"-18 x 4-1/2" | 4 |

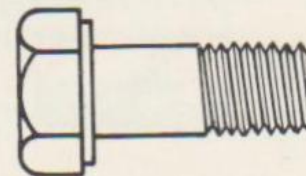
S.A.E. HEXAGON HEAD SCREWS

(With Cotter Holes)



| | | |
|----------|------------------|---|
| 2 AX 256 | 5/8"-18 x 4-1/4" | 2 |
|----------|------------------|---|

U.S.S. HEXAGON HEAD CAP SCREWS



| | | |
|----------|------------------|----|
| 4 AX 6 | 1/4"-20 x 1/2" | 16 |
| 4 AX 36 | 1/4"-20 x 5/8" | 11 |
| 4 AX 2 | 1/4"-20 x 3/4" | 1 |
| 4 AX 22 | 1/4"-20 x 1" | 2 |
| 4 AX 257 | 1/4"-20 x 1-3/4" | 2 |
| 4 AX 232 | 1/4"-20 x 1-7/8" | 4 |
| 4 AX 158 | 1/4"-20 x 2-1/4" | 2 |
| 4 AX 221 | 5/16"-18 x 1/2" | 10 |
| 4 AX 76 | 5/16"-18 x 5/8" | 72 |
| 4 AX 32 | 5/16"-18 x 7/8" | 6 |
| 4 AX 72 | 5/16"-18 x 7/8" | 2 |
| 4 AX 5 | 5/16"-18 x 1" | 3 |
| 4 AX 195 | 3/8"-16 x 1/2" | 6 |
| 4 AX 34 | 3/8"-16 x 5/8" | 46 |
| 4 AX 17 | 3/8"-16 x 3/4" | 8 |
| 4 AX 1 | 3/8"-16 x 1" | 54 |

| Part No. | Size | No. Req'd |
|----------|------|-----------|
|----------|------|-----------|

| Part No. | Size | No. Req'd |
|----------|------|-----------|
|----------|------|-----------|

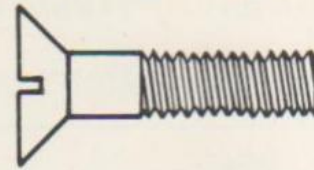
2304 - MISCELLANEOUS BOLTS, NUTS, SCREWS, WASHERS & RIVETS (Cont'd)

U.S.S. HEXAGON HEAD CAP SCREWS

(Cont'd)

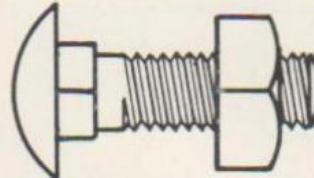
| | | |
|----------|-------------------|----|
| 4 AX 41 | 3/8"-16 x 1-1/8" | 14 |
| 4 AX 16 | 3/8"-16 x 1-1/4" | 18 |
| 4 AX 3 | 3/8"-16 x 1-1/2" | 2 |
| 4 AX 7 | 3/8"-16 x 1-3/4" | 4 |
| 4 AX 229 | 3/8"-16 x 1-3/4" | 10 |
| 4 AX 66 | 1/2"-13 x 1-1/4" | 2 |
| 4 AX 244 | 1/2"-13 x 1-3/4" | 2 |
| 4 AX 188 | 1/2"-13 x 2-3/16" | 5 |
| 4 AX 114 | 1/2"-13 x 2-3/8" | 12 |
| 4 AX 4 | 7/16"-14 x 1-1/4" | 12 |
| 4 AX 8 | 7/16"-14 x 1-3/4" | 2 |
| 4 AX 57 | 7/16"-14 x 2" | 16 |
| 4 AX 108 | 7/16"-14 x 2-1/4" | 4 |
| 4 AX 74 | 7/16"-14 x 2-5/8" | 2 |
| 4 AX 238 | 7/16"-14 x 2-3/4" | 8 |

A.S.M.E. FLAT HEAD MACHINE SCREWS



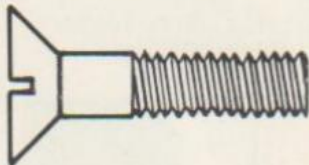
| | | |
|----------|---------------|----|
| 10 AX 68 | #12-24 x 1/2" | 10 |
|----------|---------------|----|

CARRIAGE BOLTS AND NUTS



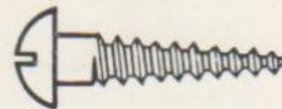
| | | |
|----------|-------------------|----|
| 11 AX 28 | 5/16"-18 x 1" | 12 |
| 11 AX 1 | 5/16"-18 x 1-1/2" | 6 |
| 11 AX 45 | 3/8"-16 x 3" | 4 |

U.S.S. FLAT HEAD CAP SCREWS



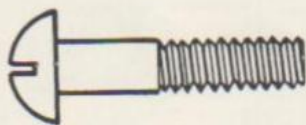
| | | |
|---------|--------------------|---|
| 5 AX 15 | 1/4"-20 x 9/16" | 7 |
| 5 AX 60 | 1/4"-20 x 1-11/32" | 2 |
| 5 AX 23 | 3/8"-16 x 1-3/8" | 5 |

ROUND HEAD WOOD SCREWS



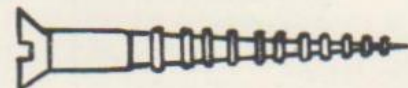
| | | |
|----------|------------|---|
| 13 AX 50 | #4 x 3/8" | 4 |
| 13 AX 19 | #8 x 1/2" | 2 |
| 13 AX 46 | #14 x 5/8" | 1 |

A.S.M.E. ROUND HEAD MACHINE SCREWS



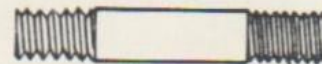
| | | |
|----------|------------------|----|
| 8 AX 161 | #6-32 x 3/8" | 8 |
| 8 AX 157 | #6-32 x 1/2" | 2 |
| 8 AX 67 | #8-32 x 1/4" | 1 |
| 8 AX 3 | #8-32 x 1/2" | 1 |
| 8 AX 151 | #10-24 x 3/8" | 4 |
| 8 AX 21 | #10-24 x 1/2" | 21 |
| 8 AX 64 | #10-24 x 5/8" | 1 |
| 8 AX 16 | #10-24 x 3/4" | 42 |
| 8 AX 163 | #10-24 x 7/8" | 10 |
| 8 AX 29 | #10-32 x 5/8" | 3 |
| 8 AX 168 | #12-24 x 3/8" | 4 |
| 8 AX 7 | #12-24 x 3/4" | 4 |
| 8 AX 36 | 1/4"-20 x 1/2" | 2 |
| 8 AX 150 | 1/4"-20 x 1-3/4" | 2 |
| 8 AX 155 | 1/4"-28 x 1/2" | 6 |
| 8 AX 160 | 1/4"-28 x 3/4" | 6 |
| 8 AX 128 | 5/16"-18 x 5/8" | 8 |

FLAT HEAD WOOD SCREWS



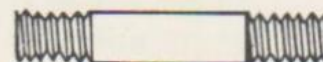
| | | |
|----------|--------------|---|
| 14 AX 4 | #10 x 2" | 3 |
| 14 AX 30 | #14 x 1-1/4" | 2 |

S.A.E. & U.S.S. THREADED STUDS



| | | |
|-----------|--------------------------|----|
| 16 AX 382 | 7/16"-20x1-3/8"x7/16"-14 | 8 |
| 16 AX 1 | 1/2"-20x2-3/8"x1/2"-13 | 6 |
| 16 AX 393 | 5/8"-18x2-3/16"x5/8"-11 | 12 |
| 16 AX 273 | 5/8"-18x4-19/32"x5/8"-11 | 4 |

U.S.S. THREADED STUDS



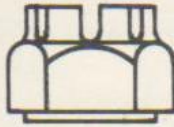
| | | |
|----------|-------------------|---|
| 17 AX 52 | 5/16"-18 x 15/16" | 4 |
|----------|-------------------|---|

| Part No. | Size | No. Req'd |
|----------|------|-----------|
|----------|------|-----------|

| Part No. | Size | No. Req'd |
|----------|------|-----------|
|----------|------|-----------|

2304 - MISCELLANEOUS BOLTS, NUTS, SCREWS, WASHERS & RIVETS (Cont'd)

S.A.E. CASTLE NUTS



| | | |
|---------|----------|---|
| 19 AX 2 | 5/16"-24 | 3 |
| 19 AX 3 | 3/8"-24 | 1 |
| 19 AX 7 | 5/8"-18 | 9 |

S.A.E. PLAIN NUTS



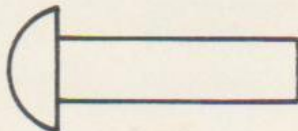
| | | |
|----------|----------|-----|
| 20 AX 1 | 1/4"-28 | 75 |
| 20 AX 2 | 5/16"-24 | 68 |
| 20 AX 3 | 3/8"-24 | 236 |
| 20 AX 4 | 7/16"-20 | 11 |
| 20 AX 5 | 1/2"-20 | 185 |
| 20 AX 6 | 9/16"-18 | 18 |
| 20 AX 7 | 5/8"-18 | 72 |
| 20 AX 8 | 3/4"-16 | 5 |
| 20 AX 11 | 7/8"-14 | 8 |
| 20 AX 16 | 1"-14 | 2 |

U.S.S. HEXAGON NUTS



| | | |
|----------|----------|----|
| 22 AX 5 | 1/4"-20 | 22 |
| 22 AX 19 | 1/4"-20 | 3 |
| 22 AX 1 | 5/16"-18 | 22 |
| 22 AX 2 | 3/8"-16 | 10 |
| 22 AX 21 | 3/8"-16 | 4 |
| 22 AX 9 | 7/16"-14 | 4 |
| 22 AX 4 | 1/2"-13 | 2 |
| 22 AX 23 | 1/2"-13 | 2 |

ROUND HEAD RIVETS (IRON)

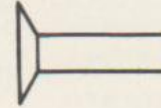


| | | |
|-----------|---------------|----|
| 24 AX 204 | 1/4" x 3/4" | 12 |
| 24 AX 202 | 5/16" x 1" | 8 |
| 24 AX 73 | 3/8" x 3/4" | 18 |
| 24 AX 3 | 3/8" x 7/8" | 8 |
| 24 AX 76 | 3/8" x 1" | 2 |
| 24 AX 186 | 3/8" x 1" | 72 |
| 24 AX 9 | 3/8" x 1-1/8" | 8 |
| 24 AX 190 | 3/8" x 1-1/8" | 8 |
| 24 AX 12 | 1/2" x 1-1/2" | 21 |
| 24 AX 108 | 1/2" x 1-5/8" | 18 |
| 24 AX 15 | 1/2" x 1-3/4" | 6 |

ROUND HEAD RIVETS (IRON) (Cont'd)

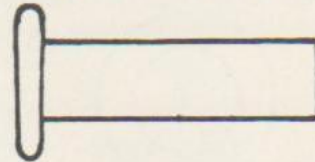
| | | |
|-----------|---------------|----|
| 24 AX 109 | 1/2" x 1-7/8" | 6 |
| 24 AX 22 | 1/2" x 2" | 11 |
| 24 AX 119 | 5/8" x 2-1/8" | 16 |

COUNTERSUNK HEAD RIVETS



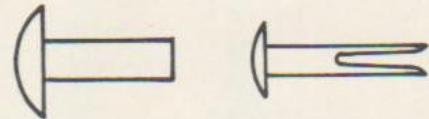
| | | |
|----------|--------------|----|
| 25 AX 14 | 3/16" x 3/4" | 16 |
| 25 AX 2 | 3/16" x 7/8" | 16 |
| 25 AX 5 | 1/4" x 1" | 8 |

FLAT HEAD RIVETS



| | | |
|----------|---------------|----|
| 26 AX 29 | 3/8" x 1-3/8" | 24 |
|----------|---------------|----|

ROUND HEAD RIVETS (COPPER)



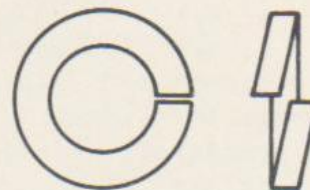
| | | |
|-----------|----------------|-----|
| 27 AX 124 | .180" x 3/8" | 24 |
| 27 AX 22 | 3/16" x 1/2" | 312 |
| 27 AX 94 | 3/16" x 13/32" | 56 |
| 27 AX 8 | 3/8" x 1/2" | 16 |
| 27 AX 20 | 7/16" x 9/64" | 54 |

BELT RIVETS (COPPER)



| | | |
|----------|----------------|----|
| 28 AX 44 | #10 x 7/16" | 4 |
| 28 AX 58 | 9/16" x 21/64" | 72 |

POSITIVE LOCKWASHERS



| | | |
|----------|--------|-----|
| 36 AX 20 | .143" | 8 |
| 36 AX 39 | 11/64" | 4 |
| 36 AX 14 | .220" | 114 |
| 36 AX 17 | .226" | 8 |
| 36 AX 1 | 1/4" | 125 |
| 36 AX 2 | 5/16" | 70 |

| Part No. | Size | No. Req'd |
|----------|------|-----------|
|----------|------|-----------|

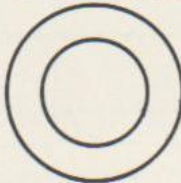
| Part No. | Size | No. Req'd |
|----------|------|-----------|
|----------|------|-----------|

2304 - MISCELLANEOUS BOLTS, NUTS, SCREWS, WASHERS & RIVETS (Cont'd)

POSITIVE LOCKWASHERS (Cont'd)

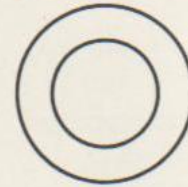
| | | |
|----------|-------|-----|
| 36 AX 22 | 5/16" | 47 |
| 36 AX 3 | 3/8" | 343 |
| 36 AX 60 | .390" | 6 |
| 36 AX 4 | .453" | 49 |
| 36 AX 57 | .453" | 8 |
| 36 AX 5 | .515" | 232 |
| 36 AX 41 | .515" | 6 |
| 36 AX 6 | .593" | 23 |
| 36 AX 15 | 5/8" | 2 |
| 36 AX 52 | 5/8" | 6 |
| 36 AX 7 | 655" | 60 |
| 36 AX 9 | 3/4" | 5 |
| 36 AX 10 | 7/8" | 8 |

PLAIN STEEL WASHERS



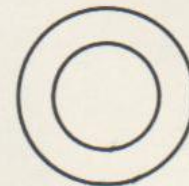
| | | |
|-----------|----------|----|
| 37 AX 39 | 13/64" | 38 |
| 37 AX 175 | 3/16" | 23 |
| 37 AX 5 | 17/64" | 12 |
| 37 AX 81 | 17/64" | 42 |
| 37 AX 130 | 17/64" | 14 |
| 37 AX 230 | 17/64" | 46 |
| 37 AX 371 | 9/32" | 8 |
| 37 AX 380 | 9/32" | 8 |
| 37 AX 105 | 5/16" | 4 |
| 37 AX 1 | 21/64" | 7 |
| 37 AX 29 | 21/64" | 2 |
| 37 AX 182 | 21/64" | 1 |
| 37 AX 191 | 11/32" | 4 |
| 37 AX 10 | 33/64" | 2 |
| 37 AX 183 | 25/64" | 2 |
| 37 AX 2 | 25/64" | 8 |
| 37 AX 66 | 13/32" | 9 |
| 37 AX 166 | 29/64" | 2 |
| 37 AX 6 | 33/64" | 6 |
| 37 AX 28 | 33/64" | 5 |
| 37 AX 83 | 33/64" | 6 |
| 37 AX 172 | 41/64" | 6 |
| 37 AX 261 | 41/64" | 2 |
| 37 AX 93 | 21/32" | 4 |
| 37 AX 382 | 21/32" | 6 |
| 37 AX 35 | 11/16" | 8 |
| 37 AX 38 | 49/64" | 1 |
| 37 AX 373 | 53/64" | 2 |
| 37 AX 259 | 57/64" | 2 |
| 37 AX 19 | 1-1/64" | 1 |
| 37 AX 27 | 1-1/64" | 2 |
| 37 AX 344 | 1-1/64" | 1 |
| 37 AX 63 | 1-9/64" | 4 |
| 37 AX 275 | 1-9/16" | 2 |
| 37 AX 315 | 2-27/32" | 1 |

PLAIN COPPER WASHERS



| | | |
|----------|--------|----|
| 39 AX 22 | .448" | 4 |
| 39 AX 5 | 21/64" | 56 |

FELT WASHERS



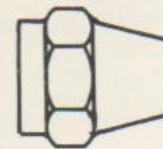
| | | |
|-----------|-------------------|---|
| 41 AX 186 | 1-1/4" x 1-13/16" | 2 |
| 41 AX 239 | 2-5/16" x 3-5/16" | 2 |
| 41 AX 236 | 2-3/4" x 3-7/8" | 1 |

COMMERCIAL A.S.M.E. MACHINE NUTS



| | | |
|----------|--------|----|
| 53 AX 18 | #6-32 | 8 |
| 53 AX 1 | #10-24 | 81 |
| 53 AX 6 | #10-32 | 15 |
| 53 AX 9 | #10-32 | 8 |
| 53 AX 4 | #12-24 | 10 |

NUTS



| | | |
|------------|-----------|----|
| 63 AX 1005 | 1/4"-28 | 9 |
| 63 AX 366 | 3/8"-24 | 4 |
| 63 AX 1006 | 3/8"-24 | 17 |
| 63 AX 285 | 7/16"-20 | 2 |
| 63 AX 290 | 1/2"-20 | 3 |
| 63 AX 362 | 1/2"-24 | 7 |
| 63 AX 361 | 9/16"-24 | 1 |
| 63 AX 355 | 11/16"-20 | 6 |

DRIVE SCREWS



| Part No. | Size | No. Req'd |
|----------|------|-----------|
|----------|------|-----------|

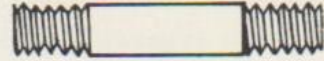
| Part No. | Size | No. Req'd |
|----------|------|-----------|
|----------|------|-----------|

2304 - MISCELLANEOUS BOLTS, NUTS, SCREWS, WASHERS & RIVETS (Cont'd)

DRIVE SCREWS (Cont'd)

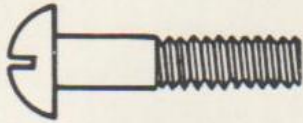
| | | |
|-----------|------------|----|
| 75 AX 357 | #4 x 3/8" | 20 |
| 75 AX 269 | #6 x 3/8" | 8 |
| 75 AX 226 | #7 x 1/2" | 2 |
| 75 AX 230 | #8 x 3/8" | 6 |
| 75 AX 249 | #12 x 1/2" | 10 |

3/8"-24 S.A.E. RODS



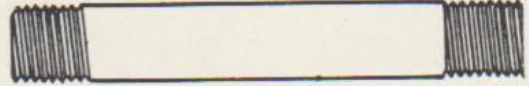
| | | |
|----------|---------------|---|
| 91 AX 9 | 3/8"-24 x 7" | 4 |
| 91 AX 21 | 3/8"-24 x 13" | 1 |
| 91 AX 25 | 3/8"-24 x 15" | 1 |

OVAL HEAD MACHINE SCREWS



| | | |
|---------|---------------|---|
| 89 AX 3 | #12-24 x 3/8" | 6 |
|---------|---------------|---|

1/2"-20 S.A.E. RODS



| | | |
|-----------|-------------------|---|
| 94 AX 26 | 1/2"-20 x 17-1/2" | 1 |
| 94 AX 33 | 1/2"-20 x 21" | 1 |
| 94 AX 53 | 1/2"-20 x 31" | 1 |
| 94 AX 58 | 1/2"-20 x 33-1/2" | 1 |
| 94 AX 68 | 1/2"-20 x 38-1/8" | 1 |
| 94 AX 155 | 1/2"-20 x 82" | 1 |

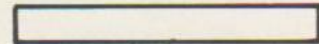
2305 - COTTER PINS, FLAT KEYS, WOODRUFF KEYS, PACKINGS, SHEAR PINS, CLEVIS PINS (OTHER THAN SPECIAL

COTTER PINS



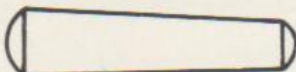
| | | |
|----------|----------------|----|
| 29 AX 10 | 1/16" x 1/2" | 2 |
| 29 AX 55 | 3/32" x 5/8" | 2 |
| 29 AX 43 | 3/32" x 3/4" | 14 |
| 29 AX 54 | 3/32" x 3/4" | 4 |
| 29 AX 3 | 3/32" x 1" | 57 |
| 29 AX 51 | 1/8" x 1/2" | 2 |
| 29 AX 14 | 1/8" x 7/8" | 2 |
| 29 AX 13 | 1/8" x 1-1/4" | 11 |
| 29 AX 5 | 1/8" x 1-1/2" | 1 |
| 29 AX 7 | 1/8" x 2" | 6 |
| 29 AX 52 | 1/8" x 2-1/2" | 3 |
| 29 AX 57 | 3/16" x 1" | 1 |
| 29 AX 33 | 3/16" x 2" | 1 |
| 29 AX 8 | 3/16" x 2-1/4" | 1 |
| 29 AX 19 | 1/4" x 2" | 3 |
| 29 AX 12 | 1/2" x 1" | 11 |

STRAIGHT PINS



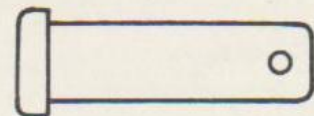
| | | |
|-----------|----------------|---|
| 31 AX 75 | 5/32" x 1" | 2 |
| 31 AX 284 | 5/32" x 1-1/4" | 2 |
| 31 AX 7 | 3/16" x 11/32" | 2 |
| 31 AX 95 | 3/16" x 7/16" | 4 |
| 31 AX 102 | 3/16" x 1-1/8" | 2 |
| 31 AX 126 | 5/16" x 1-3/4" | 1 |
| 31 AX 208 | 5/16" x 2-1/8" | 3 |
| 31 AX 138 | 3/8" x 5/8" | 2 |
| 31 AX 301 | 7/16" x 2" | 4 |
| 31 AX 279 | 1/2" x 2-5/16" | 2 |
| 31 AX 280 | 1/2" x 2-5/16" | 2 |
| 31 AX 281 | 1/2" x 2-5/16" | 2 |

TAPER PINS



| | | |
|----------|---------|---|
| 30 AX 12 | #0 x 1" | 1 |
|----------|---------|---|

ROUND HEAD PINS



| | | |
|-----------|------------------|---|
| 33 AX 42 | .491" x 1-11/32" | 1 |
| 33 AX 19 | .496" x 1-11/32" | 2 |
| 33 AX 142 | .496" x 1-11/32" | 1 |
| 33 AX 46 | .496" x 1-1/2" | 5 |
| 33 AX 54 | .621" x 1-21/32" | 2 |
| 33 AX 27 | .621" x 1-3/4" | 1 |

| Part No. | Size | No. Req'd | Part No. | Size | No. Req'd |
|----------|------|-----------|----------|------|-----------|
|----------|------|-----------|----------|------|-----------|

2305 - COTTER PINS, FLAT KEYS, WOODRUFF KEYS, PACKINGS, SHEAR PINS, CLEVIS PINS (OTHER THAN SPECIAL (Cont'd)

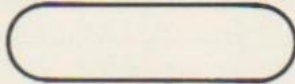
ROUND HEAD PINS (Cont'd)

| | | |
|----------|-----------------|----|
| 33 AX 80 | 3/8" x 1-1/8" | 3 |
| 33 AX 53 | 1/4" x 1/2" | 5 |
| 33 AX 18 | 1/4" x 25/32" | 2 |
| 33 AX 91 | 1/2" x 1-11/32" | 10 |

WOODRUFF KEYS



FLAT KEYS



| | | |
|----------|--------------|---|
| 43 AX 22 | .1573 x .625 | 3 |
| 43 AX 9 | 3/16" x 7/8" | 3 |

| | | |
|-----------|----------------------|---|
| 42 AX 28 | 3/16"x3/16"x9/16" | 2 |
| 42 AX 291 | 3/16"x3/16"x3/4" | 2 |
| 42 AX 10 | 3/16"x3/16"x7/8" | 2 |
| 42 AX 348 | 1/4"x5/16"x2-7/16" | 2 |
| 42 AX 254 | 5/16"x1/4" x7/8" | 2 |
| 42 AX 282 | 5/16"x1/4" x1-7/32" | 2 |
| 42 AX 25 | 3/8"x1/4" x7/8" | 2 |
| 42 AX 339 | 3/8"x.374" x5-5/16" | 1 |
| 42 AX 318 | 3/8"x.374" x5-11/16" | 2 |
| 42 AX 77 | 7/16"x7/16"x2-1/8" | 1 |
| 42 AX 286 | .626x1/2" x1-3/4" | 1 |

OIL RETAINERS



| | | |
|-----------|-------------------------|---|
| 88 AX 86 | 9/16"x1-1/4" x13/32" | 1 |
| 88 AX 42 | 1"x1-19/32"x5/16" | 1 |
| 88 AX 127 | 1-3/8"x1-5/8" x5/16" | 1 |
| 88 AX 126 | 2-3/4"x 3.883" x15/32" | 2 |
| 88 AX 157 | 3-1/8"x 4.756" x5/8" | 2 |
| 88 AX 59 | 4.004" x 5.752" x25/32" | 2 |

| Group No. | Part No. | Description | No. Req'd |
|-----------|----------|-------------|-----------|
|-----------|----------|-------------|-----------|

2306 - TOOLS AND SERVICE EQUIPMENT

| | | | |
|----|-----------|--|---|
| 1 | EMA 21 | Crank Assembly, Starting (Models EH & EHT) | 1 |
| 1 | FAP 301B | Crank Assembly, Starting (Models EHU & EHUT) | 1 |
| 31 | AX 180 | Pin, Starting Crank | 1 |
| 16 | AB 21891 | Tool, Socket Wrench Handle & Rim | 1 |
| 16 | BL 29 | Wrench, Socket (Pneumatic Tires & Steel Wheels only) | 1 |
| 16 | EH 122 | Gun, Hydraulic Alemite | 1 |
| 9 | RC 15 | Jack | 1 |
| 11 | RC 116 | Wrench, Rear Axle | 1 |
| 25 | RC 26 | Wrench, Hub Cap | 1 |
| 28 | RC 12 | #2 Screw Driver | 1 |
| 28 | RC 13 | #3 Screw Driver | 1 |
| 16 | EH 121 | Tool Kit (Containing the following tools) | 1 |
| 16 | EH 121-1 | Roll, Canvas Tool | 1 |
| 16 | EH 121-2 | Wrench, Spark Plug | 1 |
| 16 | EH 121-3 | Handle, Spark Plug Wrench | 1 |
| 16 | EH 121-4 | Wrench, Open End (7/16" x 1/2") | 1 |
| 16 | EH 121-5 | Wrench, Open End (9/16" x 5/8") | 1 |
| 16 | EH 121-6 | Wrench, Open End (3/4" x 7/8") | 1 |
| 16 | EH 121-7 | Wrench, Open End (15/16" x 1-1/8") | 1 |
| 16 | EH 121-8 | 8" Pliers | 1 |
| 16 | EH 121-9 | 5" Screw Driver | 1 |
| 16 | EH 121-10 | Wrench, 9" Monkey | 1 |
| 16 | EH 121-11 | Hammer, Ball Pien | 1 |
| 31 | QE 12-P14 | Hose, Inflation (Kellogg #15 EH 2528) | 1 |
| 30 | RC 12 | Nozzle, Air Chuck (Schrader #7570A) | 1 |
| 71 | AX 14 | Chain, Air Chuck Nozzle Attaching | 1 |
| 30 | RC 13 | Washer, Air Chuck Fibre | 1 |

| Group No. | Part No. | Description | No. Req'd |
|--|--------------|--|-----------|
| 2308 - BULBS, FUSES AND REFLECTORS, SEAL BEAM AND BLACK OUT LAMPS | | | |
| | 5 BG 1170 | Bulb, Dome Lamp | 1 |
| | 5 AB 1590 | Bulb, Instrument Board Light | 3 |
| | 41 M0 11 | Bulb, Miniature Bayonet | 1 |
| | 85 AX 39 | Fuse (30 Amp.) (Lighting) | 1 |
| | 85 AX 1 | Fuse (20 Amp.) (Lighting & Windshield Wiper) | 1 |
| | 85 AX 37 | Fuse (14 Amp.) | 1 |
| | 5 AB 1386 | Fuse (10 Amp.) (Heater & Defroster (Models EHU & EHUT) | 1 |
| | 102 M0 21-P1 | Sealed Beam Unit, Headlamp | 2 |
| | 5 EH 110 | Bulb, Stop & Tail Lamp | 1 |

2309 - BATTERY

| | | |
|-------------|--------------------------------------|---|
| 2 MK 141-P2 | Battery (Exide 6 Volt - Type XHM131) | 1 |
|-------------|--------------------------------------|---|

2310 - TARPAULINS, BOWS, CORNERS, COVERS AND END CURTAINS

COLUMN #1 - BODY FOR CHASSIS EH1S2637 to 2831 and EHUID1445 to 1494

COLUMN #2 - BODY FOR CHASSIS EH1S3040 to 3072, EH1D3869 to 3888 and EH1D3907 to 3943

COLUMN #3 - BODY FOR CHASSIS EH1S2833 to 2864 and EH1D3889 to 3906

COLUMN #4 - BODY FOR CHASSIS EH1S2865 to 3039 and EHUID1425 to 1444

| | | No. Req'd | | | |
|----------|----------------------|-----------|--------|--------|--------|
| | | Col. 1 | Col. 2 | Col. 3 | Col. 4 |
| 7422-1 | Bow (with "D" Rings) | 1 | 1 | 1 | 1 |
| 7422-2 | Bows | 5 | 4 | 4 | 4 |
| 7422-7 | Pole, Center Ridge | 1 | - | - | - |
| 7422-3 | Pole, Center Ridge | - | 1 | 1 | - |
| 7422-5 | Pole, Center Ridge | - | - | - | 1 |
| 7422-8 | Pole, Side Ridge | 2 | - | - | - |
| 7422-4 | Pole, Side Ridge | - | 2 | 2 | - |
| 7422-6 | Pole, Side Ridge | - | - | - | 2 |
| 6446-2 | Strap, Safety | 1 | 1 | 1 | 1 |
| 7420-7-T | Tarpaulin | 1 | - | - | - |
| 7420-1 | Tarpaulin | - | 1 | 1 | - |
| 7420-4-T | Tarpaulin | - | - | - | 1 |
| 7420-7-C | Curtain, End | 2 | - | - | - |
| 7420-2 | Curtain, End | - | 2 | 2 | - |
| 7420-4-C | Curtain, End | - | - | - | 2 |
| 7418-1E | Straps, Roll-up | 12 | - | - | - |
| 7415-1E | Straps, Roll-up | - | 10 | - | - |
| 7416-1E | Straps, Roll-up | - | - | 10 | - |
| 7417-1E | Straps, Roll-up | - | - | - | 10 |

2311 - GREASE FITTINGS

| Part No. | Size | No. Req'd |
|----------|------|-----------|
|----------|------|-----------|

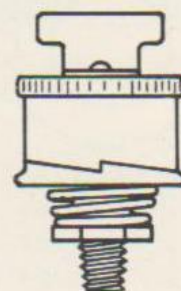
OILERS



| | | |
|----------|------------------|---|
| 44 AX 12 | 1/8" Pipe Thread | 4 |
| 44 AX 63 | 1/8" Pipe Thread | 3 |
| 44 AX 64 | 1/8" Pipe Thread | 1 |
| 44 AX 65 | 1/8" Pipe Thread | 2 |
| 44 AX 62 | #1610 | 5 |

| Part No. | Size | No. Req'd |
|----------|------|-----------|
|----------|------|-----------|

GREASE FITTINGS



| | | |
|----------|------------------|---|
| 45 AX 23 | 1/4" Pipe Thread | 2 |
|----------|------------------|---|

2313
2315

| Group No. | Master No. | Description |
|-----------|------------|-------------|
|-----------|------------|-------------|

2313 - CABLES & WIRES (INSULATED)



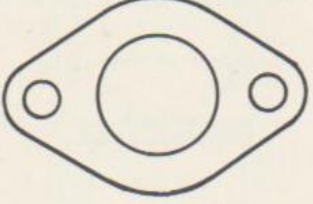
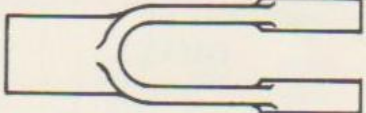
Listed below will be found the Master Part Numbers covering the various cables and wires. Cable and Wire should be ordered in 100 foot rolls when possible and cut as required. When separate cables and wires are needed for service, the part number can be obtained by measuring the length of cable or wire to be replaced. Lengths run from one inch and up graduated in one inch intervals. Part Numbers run from one and up and also represent the length. The following are a few examples of how to determine the correct part number of a cable or wire. 134 AX 1 is one inch long, 134 AX 2 is two inches long, 134 AX 3 is three inches long, etc.

| | |
|--------|-----------------------------------|
| 134 AX | Horn Wire #14 Gauge |
| 168 AX | Rubber Cable #16-3 |
| 169 AX | Rubber Cable #18-2 |
| 174 AX | Red Wire #8 Gauge |
| 191 AX | Red & White #14 Gauge |
| 210 AX | Conductor Cable #16-6 |
| 213 AX | Yellow Wire #10 Gauge |
| 223 AX | Braided Rubber Covered Wire 7 M/M |
| 229 AX | Distributor Wire #14 Gauge |

2314 - SPARK PLUGS

| Part No. | Description | No. Req'd |
|-----------|--|-----------|
| 5 BG 110C | Plug, Spark (18 M/M) (Champion Type "8" Comm.) | 6 |

2315 - MISCELLANEOUS PARTS & ACCESSORIES

| Part No. | Size | No. Req'd | Part No. | Size | No. Req'd |
|--------------------|---|-----------|--------------------|--|-----------|
| STEEL BALLS | | | WELSH PLUGS | | |
| |  | | |  | |
| 48 AX 6 | 5/16" | 4 | 79 AX 25 | 1.50" | 2 |
| 48 AX 11 | 1/2" | 10 | | | |
| 48 AX 12 | 3/4" | 6 | | | |
| GASKETS | | | CLEVISES | | |
| |  | | |  | |
| 56 AX 1 | 7/8" I.D. | 1 | 84 AX 26 | 1/4"-28 | 2 |
| 56 AX 173 | 1-1/8" I.D. | 1 | 84 AX 120 | 3/8"-24 | 3 |
| 56 AX 179 | 1-1/2" I.D. | 3 | 84 AX 239 | 3/8"-24 | 2 |
| 56 AX 181 | 2-1/2" I.D. | 1 | 84 AX 24 | 1/2"-20 | 11 |
| 56 AX 192 | 3" I.D. | 2 | 84 AX 36 | 1/2"-20 | 1 |
| 56 AX 92 | 14-25/32" I.D. | 2 | 84 AX 38 | 1/2"-20 | 2 |
| | | | 84 AX 132 | 1/2"-20 | 2 |
| | | | 84 AX 134 | 1/2"-20 | 2 |
| | | | 84 AX 184 | 9/16"-18 | 2 |

| Group No. | Part No. | Description | No. Req'd |
|-----------|----------|-------------|-----------|
|-----------|----------|-------------|-----------|

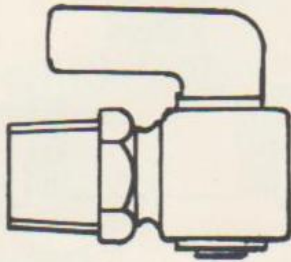
2317 - BRAKE LINING

| | | | |
|--------|--------|--|---|
| 7 MW | 31-P32 | Lining, Emergency Brake | 4 |
| 3 QD | 207 | Lining, Front Brake (Air Brakes) | 4 |
| 3 QD | 31-P1 | Lining, Rear Brake (Air Brakes) | 4 |
| 222 SM | 26 | Lining, Front Brake (Forward) (Hydraulic Brakes) | 2 |
| 222 SM | 27 | Lining, Front Brake (Reverse) (Hydraulic Brakes) | 2 |
| 3 QD | 2032 | Lining, Rear Brake (Forward) (Hydraulic Brakes) | 2 |
| 3 QD | 2034 | Lining, Rear Brake (Reverse) (Hydraulic Brakes) | 2 |

2318 - PIPE AND TUBE FITTINGS

| Part No. | Size | No. Req'd | Part No. | Size | No. Req'd |
|----------|------|-----------|----------|------|-----------|
|----------|------|-----------|----------|------|-----------|

COCKS



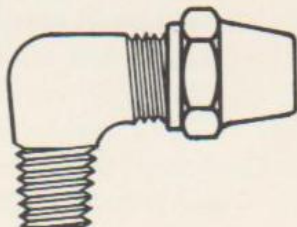
| | | |
|----------|------------------|---|
| 61 AX 45 | 1/4" Pipe Thread | 2 |
| 61 AX 54 | 3/8" Pipe Thread | 3 |
| 61 AX 62 | 1/2" Pipe Thread | 2 |

CONNECTIONS



| | | |
|------------|-----------------|---|
| 63 AX 1081 | 1/8" x 1/4" | 1 |
| 63 AX 14 | 1/4" x 3/8" | 4 |
| 63 AX 136 | 1/4" x 5/16" | 1 |
| 63 AX 697 | 3/8"-24 x 1/8" | 4 |
| 63 AX 1084 | 3/8" x 3/8" | 3 |
| 63 AX 497 | 7/16"-24 x 1/8" | 3 |
| 63 AX 607 | 7/16"-24 | 2 |
| 63 AX 483 | 1/2"-24 x 1/4" | 3 |
| 63 AX 608 | 1/2"-20 | 2 |
| 63 AX 1085 | 1/2" x 3/8" | 7 |
| 63 AX 487 | 11/16"-20 | 3 |
| 63 AX 418 | 3/4"-16 x 1/4" | 2 |
| 63 AX 417 | 1"-14 x 1/2" | 2 |

ELBOWS



| Part No. | Size | No. Req'd |
|------------------------|----------------------|-----------|
| ELBOWS (Cont'd) | | |
| 63 AX 170 | 1/8" x 1/8" | 1 |
| 63 AX 458 | 1/8" x 1/8" | 1 |
| 63 AX 890 | 1/8" x 1/8" | 1 |
| 63 AX 75 | 1/8" x 1/4" | 4 |
| 63 AX 1090 | 1/8"x15/16"x3/4" | 2 |
| 63 AX 1103 | 1/4" x 1/8" | 1 |
| 63 AX 351 | 1/4" x 1/4" | 2 |
| 63 AX 345 | 1/4" x 5/16" | 1 |
| 63 AX 1009 | 1/4" x 3/8" | 4 |
| 63 AX 13 | 1/3" x 3/8" | 2 |
| 63 AX 1091 | 1/4"x1-5/8"x15/16" | 4 |
| 63 AX 132 | 3/8" x 3/8" | 2 |
| 63 AX 524 | 3/8" x 3/8" | 1 |
| 63 AX 672 | 3/8" x 3/8" | 1 |
| 63 AX 1164 | 3/8" x 3/8" | 2 |
| 63 AX 1092 | 3/8"x1-11/16"x15/16" | 1 |
| 63 AX 490 | 1/2"-24 x 1/4" | 4 |
| 63 AX 262 | 1/2" x 1/2" | 2 |
| 63 AX 1152 | 1/2" x 3/4" | 4 |
| 63 AX 491 | 11/16"-20 x 3/8" | 1 |
| 63 AX 372 | 3/4"-16 x 3/8" | 4 |

NIPPLES



| | | |
|------------|---------------|---|
| 63 AX 102 | 1/4" x 1-1/2" | 2 |
| 63 AX 62 | 3/8" x 1" | 4 |
| 63 AX 723 | 3/8" x 3" | 1 |
| 63 AX 1058 | 1/2" x 1-1/2" | 2 |
| 63 AX 1086 | 1/2" x 2-3/8" | 1 |
| 63 AX 70 | 1/2" x 2-1/2" | 1 |
| 63 AX 142 | 1-1/2" x 3" | 1 |

2318

| Part No. | Size | No. Req'd |
|----------|------|-----------|
|----------|------|-----------|

| Part No. | Size | No. Req'd |
|----------|------|-----------|
|----------|------|-----------|

2318 - PIPE AND TUBE FITTINGS (Cont'd)

PIPE PLUGS



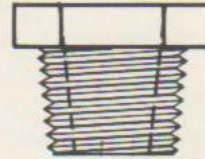
| | | |
|-----------|--------|---|
| 63 AX 3 | 1/8" | 3 |
| 63 AX 4 | 1/4" | 3 |
| 63 AX 107 | 1/4" | 2 |
| 63 AX 764 | 1/4" | 1 |
| 63 AX 845 | 1/4" | 2 |
| 63 AX 45 | 3/8" | 7 |
| 63 AX 149 | 3/8" | 1 |
| 63 AX 575 | 1-1/4" | 4 |
| 63 AX 78 | 2" | 2 |

COUNTERSUNK PIPE PLUGS



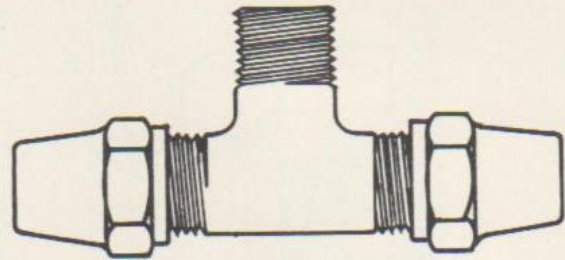
| | | |
|-----------|------|---|
| 63 AX 335 | 1/4" | 4 |
| 63 AX 51 | 1/2" | 4 |
| 63 AX 27 | 3/4" | 3 |

REDUCERS



| | | |
|-----------|-------------|---|
| 63 AX 6 | 1/8" x 1/4" | 2 |
| 63 AX 80 | 1/8" x 3/8" | 1 |
| 63 AX 81 | 1/4" x 3/8" | 4 |
| 63 AX 580 | 1/4" x 3/8" | 1 |
| 63 AX 140 | 3/8" x 1/2" | 1 |

TEES



| | | | |
|------------|--------------------|----------|---|
| 63 AX 1145 | 1/4" x 1/4" | x 1/4" | 1 |
| 63 AX 65 | 3/8" x 1/4" | x 3/8" | 2 |
| 63 AX 69 | 3/8" x 3/8" | x 3/8" | 2 |
| 63 AX 1105 | 3/8" x 1-3/4" | x 5/8" | 2 |
| 63 AX 605 | 7/16"-24x7/16"-20x | 7/16"-20 | 2 |
| 63 AX 910 | 7/16"-24x1/2"-20 | x .440" | 2 |
| 63 AX 222 | 1/2" x 1/2" | x 1/2" | 1 |
| 63 AX 505 | 11/16"-20x 1/8" | x 3/8" | 1 |

2501 - BALL BEARINGS

BALL BEARING CHART

| UNIT OR ASSEMBLY | Gov't. Group | Mack No. | Mfg. No. | No. Req. |
|-----------------------------------|-----------------|-----------|-----------------|-------------|
| RELEASE LEVER BEARINGS | | | | |
| Clutch Throwout Collar Brg. | .0203 | 46 AX 323 | Aetna #A-959-1 | 1 |
| PILOT BEARINGS | | | | |
| Clutch Pilot Brg. | .0205 | 46 AX 310 | SKF6305-ZC-004 | 1 |
| WATER PUMP BEARINGS | | | | |
| Water Pump Brg. (Front) | .0503 | 46 AX 304 | SKF I-70941 | 2 |
| Water Pump Brg. (Rear) | .0503 | 46 AX 305 | SKF FLB20-C-003 | 2 |
| GENERATOR BEARINGS | | | | |
| Ball Bearing (C.E.) | .0601 | 46 AX 7 | ND 3203 | 1 |
| Ball Bearing (D.E.) | .0601 | 46 AX 8 | ND 1505 | 1 |
| TRANSMISSION BEARINGS | | | | |
| Main Drive Pinion Brg. | .0703 | 46 AX 302 | SKF 6308-ZNR | 1 |
| Spline Shaft Rear Brg. | .0703 | 46 AX 303 | SKF 6308-NR | 1 |
| Auxiliary Spline Shaft Brg. | .0703 | 46 AX 318 | MRC 309 MG | 1 |
| Spline Shaft Rear Bearing | .0703 | 46 AX 319 | SKF 6309-NR | 1 |
| Auxiliary Spigot Brg. | .0703 | 46 AX 320 | SKF 6209 | 1 |
| Spline Shaft Rear Brg. | .0703 | 46 AX 321 | SKF 6215-NR | 1 |
| Main Drive Pinion Brg. | .0703 | 46 AX 322 | SKF 6309-ZNR | 2 |
| DRIVE SHAFT CENTER BEARING | | | | |
| Drive Shaft Center Brg. | .0902 | 46 AX 51 | SKF 2310 | 2 |
| Drive Shaft Center Brg. | .0902 | 46 AX 348 | SKF I-71744 | 1 |

2502 - ROLLER BEARINGS

ROLLER BEARING CHART

| UNIT OR ASSEMBLY | Gov't. Group | Mack No. | Mfg. No. | No. Req. |
|--|-----------------|-----------|-----------------|-------------|
| TRANSMISSION BEARINGS | | | | |
| Countershaft Rear Brg. Cone | .0703 | 62 AX 183 | Timken #467 | 1 |
| Auxiliary Countershaft Front Brg. Cone | .0703 | 62 AX 183 | Timken #467 | 1 |
| Countershaft Rear Brg. Cone | .0703 | 62 AX 216 | Timken #3877 | 1 |
| Auxiliary Countershaft Rear Brg. Cone | .0703 | 62 AX 216 | Timken #3877 | 1 |
| Countershaft Front Brg. Cone | .0703 | 62 AX 268 | Timken #2877 | 1 |
| Countershaft Rear Brg. Cone | .0703 | 62 AX 278 | Timken #2794 | 1 |
| Countershaft Front Brg. Cone | .0703 | 62 AX 296 | Timken #2877 | 1 |
| Auxiliary Countershaft Front Brg. Cup | .0703 | 64 AX 142 | Timken #453X | 1 |
| Countershaft Front Brg. Cup | .0703 | 64 AX 153 | Timken #2820 | 1 |
| Countershaft Rear Brg. Cup | .0793 | 64 AX 154 | Timken #2734W | 1 |
| Countershaft Front Brg. Cup | .0703 | 64 AX 155 | Timken #25523 | 1 |
| Countershaft Rear Brg. Cup | .0703 | 64 AX 156 | Timken #3820W | 1 |
| Auxiliary Countershaft Rear Brg. Cup | .0703 | 64 AX 156 | Timken #3820W | 1 |
| Countershaft Rear Bearing Cup | .0703 | 64 AX 157 | Timken #453B | 1 |
| Reverse Gear Bearing | .0703 | 67 AX 132 | Rollway #WS2326 | 2 |
| Spigot Bearing | .0703 | 67 AX 148 | Hyatt #1305TM | 3 |

ROLLER BEARING CHART (Continued)

| UNIT OR ASSEMBLY | Gov't. Group | Mack No. | Mfg. No. | No. Req. |
|--|-----------------|-----------|-------------------|-------------|
| TRANSMISSION BEARINGS (Continued) | | | | |
| Reverse Gear Bearing..... | 0703 | 67 AX 149 | Hyatt #94726 | 4 |
| Countershaft Front Bearing..... | 0703 | 67 AX 150 | Hyatt #1208TS | 1 |
| REAR AXLE BEARINGS | | | | |
| Differential Bearing Cone..... | 1104 | 62 AX 102 | Timken #482 | 2 |
| Bevel Pinion Bearing Cone (Rear)..... | 1104 | 62 AX 190 | Timken #636 | 1 |
| Spur Pinion Shaft Bearing Cone..... | 1104 | 62 AX 192 | Timken #65225 | 2 |
| Bevel Pinion Bearing Cone (Front)..... | 1104 | 62 AX 201 | Timken #59200 | 1 |
| Bevel Pinion Bearing Cone..... | 1104 | 62 AX 214 | Timken #66187 | 2 |
| Differential Bearing Cone..... | 1104 | 62 AX 280 | Timken #33281 | 2 |
| Bevel Pinion Bearing Cup (Rear)..... | 1104 | 64 AX 89 | Timken #632 | 1 |
| Bevel Pinion Bearing Cup (Front)..... | 1104 | 64 AX 105 | Timken #59425 | 1 |
| Spur Pinion Shaft Bearing Cup..... | 1104 | 64 AX 122 | Mack | 2 |
| Differential Bearing Cup LH..... | 1104 | 64 AX 123 | Mack | 1 |
| Differential Bearing Cup RH..... | 1104 | 64 AX 127 | Mack | 1 |
| Differential Bearing Cup..... | 1104 | 64 AX 160 | Timken #33462 | 2 |
| Bevel Pinion Spigot Bearing..... | 1104 | 67 AX 119 | Hyatt #U-1306-TAM | 1 |
| WHEEL BEARINGS | | | | |
| Rear Wheel Bearing Cone (Inner)..... | 1301 | 62 AX 75 | Timken #43131 | 2 |
| Rear Wheel Bearing Cone (Outer)..... | 1301 | 62 AX 182 | Timken #566 | 2 |
| Front Wheel Bearing Cone (Outer)..... | 1301 | 62 AX 223 | Timken #2790 | 2 |
| Front Wheel Bearing Cone (Inner)..... | 1301 | 62 AX 224 | Timken #3778 | 2 |
| Front Wheel Bearing Cup (Outer)..... | 1301 | 64 AX 15 | Timken #2720 | 2 |
| Front Wheel Bearing Cup (Inner)..... | 1301 | 64 AX 16 | Timken #3720 | 2 |
| Rear Wheel Bearing Cup (Inner)..... | 1301 | 64 AX 35 | Timken #572 | 2 |
| Rear Wheel Bearing Cup (Outer)..... | 1301 | 64 AX 72 | Timken #563 | 2 |
| STEERING GEAR | | | | |
| Steering Knuckle Thrust Bearing..... | 1403 | 47 AX 29 | Timken #T-126 | 2 |
| Worm Shaft Bearing Cone..... | 1403 | 62 AX 202 | Timken #07100 | 2 |
| Worm Shaft Bearing Cup (Lower)..... | 1403 | 64 AX 109 | Timken #07196 | 1 |
| Worm Shaft Bearing Cup (Upper)..... | 1403 | 64 AX 110 | Timken #07204 | 1 |

NUMERICAL INDEX AND PRICE SECTION

| Code | Part No. | Gov't Group | Disc. Code | List Price | Code | Part No. | Gov't Group | Disc. Code | List Price | Code | Part No. | Gov't Group | Disc. Code | List Price |
|------|------------|-------------|------------|------------|------|----------|-------------|--------------|------------|------|----------|-------------|--------------|------------|
| * 1 | AB 1353 | 0102 | - | .05 | * 1 | AX 35 | 0901 | - | | * 3 | AX 758 | 0203 | - | .05 |
| | | 0107 | - | | | | 1201 | - | | * 3 | AX 847 | 0304 | - | .16 |
| | 1 AB 1959 | 0101 | AA | .40 | | | 1210 | - | | * 3 | AX 977 | 0901 | - | .12 |
| * 1 | AB 11061 | 0108 | - | .06 | | | 1211 | - | | * 3 | AX 1011 | 2201 | - | .10 |
| * 1 | AB 11066 | 0108 | - | .03 | | | 1213 | - | | * 3 | AX 1022 | 1201 | - | .08 |
| * 1 | AB 11108 | 0301 | - | .02 | | | 1504 | - | | * 4 | AX 1 | 0107 | - | |
| * 5 | AB 1117 | 0606 | - | | | | 1506 | - | | | | 0203 | - | |
| | | 1801 | - | .05 | | | 1704 | - | | | | 0601 | - | |
| * 5 | AB 1396 | 0606 | - | .05 | | | 1800 | - | | | | 0602 | - | |
| * 5 | AB 1412 | 0107 | - | .05 | | | 1803 | - | .03 | | | 0701 | - | |
| * 5 | AB 1590 | 0605 | - | .07 | * 1 | AX 36 | 1209 | - | | | | 0704 | - | |
| * 5 | AB 11280 | 0604 | - | | | | 1703 | Use 1 AX 2 | | | | 1103 | EC | .02 |
| | | 0608 | - | .025 | * 1 | AX 39 | 0601 | - | | * 4 | AX 2 | 1213 | - | .02 |
| | 6 AB 117 | 1213 | - | .01 | | | 1402 | - | .07 | * 4 | AX 3 | 1201 | - | .04 |
| * 8 | AB 177 | 0701 | G | .05 | * 1 | AX 41 | 1103 | - | | * 4 | AX 4 | 0202 | Use 4 AX 84 | |
| * 8 | AB 235 | 0207 | - | | | | 1803 | - | .09 | * 4 | AX 5 | 0101 | - | |
| | | 0701 | - | .25 | * 1 | AX 42 | 0304 | - | | | | 0601 | - | |
| * 8 | AB 1133A | 0706 | - | .50 | | | 0504 | - | | | | 0603 | Use 6 AX 8 | |
| * 9 | AB 2289A | 0901 | - | 6.00 | | | 0607 | - | | * 4 | AX 6 | 0503 | - | |
| * 9 | ABS 17 | 0902 | SS | .44 | | | 0901 | - | | | | 0607 | - | |
| * 10 | AB 11571 | 1211 | BW | .85 | | | 1210 | - | | | | 1702 | - | |
| * 10 | AB 11970 | 0303 | - | .06 | | | 1507 | - | .07 | | | 1703 | - | .02 |
| * 10 | AB 12040 | 0204 | - | | * 1 | AX 46 | 0110 | - | .11 | * 4 | AX 7 | 1207 | Use 6 AX 254 | |
| | | 1204 | - | .35 | * 1 | AX 59 | 1103 | Use 1 AX 275 | | * 4 | AX 8 | 1503 | - | .07 |
| * 11 | AB 157A | 1104 | - | .55 | * 1 | AX 60 | 1103 | Use 1 AX 41 | | * 4 | AX 16 | 0601 | - | |
| * 11 | AB 2552 | 0901 | - | 8.50 | * 1 | AX 62 | 2101 | Use 1 AX 219 | | | | 1209 | - | .06 |
| * 13 | AB 2326A | 1602 | - | 1.25 | * 1 | AX 73 | 0301 | - | | * 4 | AX 17 | 0101 | - | |
| * 13 | ABM 749 | 1601 | - | .12 | | | 0602 | - | | | | 0304 | - | |
| * 13 | ABM 2303 | 1601 | - | .12 | | | 1207 | - | | | | 0706 | - | .03 |
| * 13 | ABM 2503 | 1601 | - | .12 | | | 1701 | - | .02 | * 4 | AX 22 | 1702 | - | .02 |
| * 15 | AB 11361 | 0304 | - | | * 1 | AX 77 | 1703 | Use 1 AX 327 | | * 4 | AX 28 | 0105 | - | |
| | | 0606 | - | .06 | * 1 | AX 90 | 0601 | Use 1 AX 312 | | | | 1503 | EC | .06 |
| * 16 | AB 1819 | 1801 | - | .05 | * 1 | AX 95 | 0304 | - | .08 | * 4 | AX 32 | 0302 | - | |
| * 16 | AB 21891 | 2306 | - | .75 | * 1 | AX 97 | 1405 | - | .16 | | | 1301 | - | .03 |
| | | | - | | * 1 | AX 108 | 1602 | - | .09 | * 4 | AX 34 | 0503 | - | |
| * 4 | AC 1375 | 0606 | - | .10 | * 1 | AX 110 | 1701 | - | .03 | | | 0701 | EC | .01 |
| 8 | AC 115A | 1103 | Use 8 AC | 115C | * 1 | AX 111 | 0304 | - | | * 4 | AX 36 | 0603 | - | |
| * 8 | AC 115C | 1103 | - | .60 | | | 1007 | - | .03 | | | 1702 | EC | .01 |
| 10 | AC 13046 | 1204 | - | # | * 1 | AX 112 | 1205 | - | .04 | * 4 | AX 41 | 0305 | - | |
| * 10 | AC 13065 | 1213 | BW | 2.05 | * 1 | AX 113 | 0901 | - | .30 | | | 0505 | - | |
| * 10 | AC 13816 | 1211 | BW | .15 | * 1 | AX 114 | 0608 | - | | | | 0607 | - | .04 |
| * 10 | AC 13817 | 1211 | BW | .15 | | | 1405 | - | .03 | * 4 | AX 54 | 0207 | - | .23 |
| * 10 | AC 13822 | 1211 | BW | .50 | * 1 | AX 117 | 0110 | - | .34 | * 4 | AX 56 | 0503 | - | .13 |
| * 10 | AC 103818A | 1211 | BW | 5.50 | * 1 | AX 120 | 1211 | - | | * 4 | AX 57 | 1503 | - | .07 |
| * 15 | AC 140 | 1704 | - | .25 | | | 1602 | - | | * 4 | AX 58 | 0101 | - | |
| * 16 | AC 13534 | 2306 | - | .50 | | | 1801 | - | .02 | | | 0102 | - | |
| | | | - | | * 1 | AX 126 | 0607 | - | | | | 0107 | EC | .02 |
| * 9 | AKS 68 | 0902 | SS | .04 | | | 1211 | - | | * 4 | AX 66 | 0101 | - | |
| 10 | AK 1390 | 1211 | - | .30 | | | 1213 | - | .02 | | | 0601 | - | .07 |
| * 10 | AK 1392A | 1211 | - | .65 | * 1 | AX 129 | 0609 | - | .07 | * 4 | AX 72 | 0302 | Use 4 AX 32 | |
| * 12 | AK 1163 | 1301 | RF | 15.40 | * 1 | AX 138 | 1800 | - | | * 4 | AX 74 | 0402 | - | .09 |
| * 13 | AKM 75 | 1601 | - | .18 | | | 1803 | - | .08 | * 4 | AX 76 | 0501 | - | |
| | | | - | | * 1 | AX 140 | 0110 | - | | | | 0505 | - | |
| * 6 | AL 176 | 0104 | - | | | | 0901 | - | .18 | | | 1704 | EC | .01 |
| | | 0107 | - | .05 | * 1 | AX 141 | 1507 | - | .21 | * 4 | AX 84 | 0202 | - | .06 |
| | | | - | | * 1 | AX 145 | 0110 | - | | * 4 | AX 108 | 1503 | - | .08 |
| * 1 | AX 2 | 1209 | - | | | | 1213 | Use 1 AX 46 | | * 4 | AX 114 | 1503 | Use 4 AX 28 | |
| | | 1802 | - | | * 1 | AX 160 | 1405 | - | .03 | * 4 | AX 122 | 0107 | - | .10 |
| | | 1703 | - | .04 | * 1 | AX 161 | 0609 | - | .05 | * 4 | AX 137 | 0102 | - | .02 |
| * 1 | AX 5 | 1800 | - | .03 | * 1 | AX 168 | 1203 | - | .13 | * 4 | AX 158 | 1213 | - | .04 |
| * 1 | AX 6 | 1213 | Use 3 AX | 215 | * 1 | AX 202 | 0903 | - | .08 | * 4 | AX 188 | 1103 | - | .22 |
| * 1 | AX 7 | 1403 | - | .04 | * 1 | AX 219 | 2101 | - | .15 | * 4 | AX 195 | 0110 | - | |
| * 1 | AX 8 | 0303 | - | | * 1 | AX 222 | 1213 | Use 1 AX 23 | | | | 1209 | - | .05 |
| | | 0604 | - | | * 1 | AX 225 | 1803 | - | .24 | * 4 | AX 221 | 0501 | - | |
| | | 1701 | - | | * 1 | AX 230 | 1504 | - | | | | 1403 | - | .03 |
| | | 1800 | Use 1 AX | 374 | | | 1505 | - | | * 4 | AX 229 | 0204 | - | |
| * 1 | AX 11 | 1201 | - | | | | 1203 | - | | | | 1204 | - | .05 |
| | | 2203 | - | .04 | | | 1701 | - | | * 4 | AX 232 | 0503 | - | .04 |
| * 1 | AX 13 | 0204 | - | .04 | | | 1803 | - | .07 | * 4 | AX 238 | 0402 | - | |
| * 1 | AX 17 | 1201 | - | .04 | * 1 | AX 231 | 1203 | - | .13 | | | 1503 | - | .09 |
| * 1 | AX 19 | 0608 | - | | * 1 | AX 238 | 0903 | - | .07 | * 4 | AX 244 | 1405 | - | .16 |
| | | 1405 | Use 1 AX | 114 | * 1 | AX 263 | 1208 | - | .13 | * 4 | AX 257 | 1213 | - | .06 |
| * 1 | AX 22 | 0204 | - | .05 | * 1 | AX 275 | 0901 | - | | * 5 | AX 15 | 0706 | - | .05 |
| * 1 | AX 23 | 0204 | - | | | | 1103 | - | .12 | * 5 | AX 23 | 1201 | - | .05 |
| | | 1213 | - | .04 | * 1 | AX 312 | 0601 | - | .12 | * 5 | AX 60 | 0304 | Use 130 AX | 104 |
| * 1 | AX 24 | 0204 | - | | * 1 | AX 327 | 1703 | - | .13 | * 6 | AX 8 | 0603 | - | .07 |
| | | 0503 | - | .04 | * 1 | AX 374 | 0303 | - | | * 6 | AX 14 | 1703 | - | .03 |
| * 1 | AX 27 | 0304 | - | .07 | | | 0609 | - | | * 6 | AX 92 | 1201 | Use 130 AX | 504 |
| * 1 | AX 33 | 0301 | - | | | | 1704 | - | | * 6 | AX 99 | 1701 | - | .04 |
| | | 0401 | - | | | | 1800 | - | .03 | * 6 | AX 117 | 1504 | - | |
| | | 0501 | - | | * 1 | AX 381 | 1208 | - | .02 | | | 1701 | - | |
| | | 1405 | - | | * 1 | AX 407 | 0901 | - | | | | 1703 | - | .03 |
| | | 1504 | - | | | | 0903 | - | .06 | * 6 | AX 157 | 0107 | - | .06 |
| | | 1701 | - | | * 2 | AX 256 | 1704 | - | .26 | * 6 | AX 190 | 0107 | - | .05 |
| | | 1702 | - | | * 3 | AX 85 | 1506 | - | .05 | * 6 | AX 219 | 1703 | - | .08 |
| | | 1703 | - | | * 3 | AX 87 | 1210 | - | .04 | * 6 | AX 128 | 1209 | Use 130 AX | 258 |
| | | 1704 | - | | * 3 | AX 215 | 1213 | - | .08 | * 6 | AX 229 | 0112 | - | .05 |
| | | 1803 | - | .03 | * 3 | AX 527 | 1506 | - | .10 | * 6 | AX 236 | 1702 | - | |
| * 1 | AX 34 | 0204 | - | | * 3 | AX 558 | 1103 | - | .30 | | | 1800 | - | |
| | | 1201 | Use 1 AX | 22 | * 3 | AX 561 | 1104 | - | .16 | | | 1802 | - | .03 |
| * 1 | AX 35 | 0401 | - | | * 3 | AX 704 | 0901 | - | .08 | * 6 | AX 254 | 1207 | - | .12 |
| | | 0504 | - | | * 3 | AX 706 | 0901 | - | .09 | * 6 | AX 255 | 1201 | - | .08 |

— Price furnished on application.

* — Indicates part is also used on commercial Vehicles.

NUMERICAL INDEX AND PRICE SECTION

| Code | Part No. | Gov't Group | Disc. Code | List Price | Code | Part No. | Gov't Group | Disc. Code | List Price | Code | Part No. | Gov't Group | Disc. Code | List Price |
|-------------|----------|-------------|------------|------------|-------------|----------|-------------|------------|------------|-------------|----------|-------------|------------|------------|
| * 6 AX 257 | | 1805 | Use 130 | AX 354 | * 20 AX 1 | | 0609 | | | * 21 AX 113 | | 1402 | | |
| * 6 AX 264 | | 1802 | Use 130 | AX 260 | | 1211 | | | | | 1403 | Use 21 AX | 143 | |
| * 6 AX 265 | | 0301 | - | .03 | | 1213 | | | | * 21 AX 115 | | 1207 | - | .05 |
| * 6 AX 272 | | 1103 | - | .18 | | 1701 | | | | * 21 AX 116 | | 1203 | - | .55 |
| * 6 AX 327 | | 1213 | - | .20 | | 1702 | | | | * 21 AX 143 | | 1403 | - | .15 |
| * 6 AX 338 | | 1103 | - | .20 | | 1704 | | | | * 21 AX 151 | | 0304 | - | .04 |
| * 6 AX 345 | | 0106 | - | .11 | | 1805 | | | | * 21 AX 173 | | 1103 | - | .12 |
| * 6 AX 362 | | 1103 | - | .12 | | 2201 | - | .005 | | * 21 AX 184 | | 1704 | Use 21 AX | 24 |
| * 6 AX 375 | | 0106 | - | .02 | * 20 AX 2 | | 0608 | | | * 21 AX 208 | | 1403 | - | .60 |
| * 6 AX 402 | | 1103 | - | .14 | | 0903 | | | | * 21 AX 226 | | 1203 | - | .42 |
| * 6 AX 420 | | 0402 | - | .12 | | 1211 | | | | * 21 AX 231 | | 1704 | - | .05 |
| * 6 AX 447 | | 0304 | - | .03 | | 1213 | | | | * 21 AX 237 | | 1104 | - | .95 |
| * 6 AX 460 | | 1301 | - | .18 | | 1405 | | | | * 21 AX 262 | | 0112 | - | .25 |
| * 6 AX 461 | | 1302 | - | .06 | | 1602 | | | | * 21 AX 263 | | 0303 | | |
| * 6 AX 490 | | 1702 | | | | 1701 | | | | | 0606 | | - | .05 |
| | | 1800 | - | .16 | | 1703 | | | | * 21 AX 269 | | 1103 | | |
| * 6 AX 494 | | 1800 | - | .12 | | 1801 | - | .005 | | | 1104 | - | - | .07 |
| * 6 AX 497 | | 1704 | - | .02 | * 20 AX 3 | | 0107 | | | * 21 AX 280 | | 0901 | - | .35 |
| * 6 AX 515 | | 1704 | - | .02 | | 0204 | | | | * 21 AX 284 | | 0703 | - | .90 |
| * 6 AX 528 | | 0110 | - | .07 | | 0301 | | | | * 21 AX 285 | | 0901 | - | .75 |
| * 7 AX 84 | | 0204 | - | .05 | | 0304 | | | | * 21 AX 296 | | 0503 | - | .07 |
| * 7 AX 152 | | 0706 | - | .12 | | 0401 | | | | * 21 AX 333 | | 1301 | - | .75 |
| * 7 AX 195 | | 2201 | - | .03 | | 0501 | | | | * 21 AX 346 | | 1704 | | |
| * 7 AX 197 | | 1007 | - | .20 | | 0504 | | | | | 1803 | - | - | .08 |
| * 8 AX 3 | | 1805 | Use 130 | AX 205 | | 0901 | | | | * 21 AX 355 | | 1104 | - | .85 |
| * 8 AX 7 | | 0304 | Use 130 | AX 242 | | 1201 | | | | * 21 AX 404 | | 1602 | - | .07 |
| * 8 AX 16 | | 0303 | | | | 1209 | | | | * 21 AX 405 | | 1602 | - | .10 |
| | | 0606 | | | | 1210 | | | | * 22 AX 1 | | 0303 | | |
| | | 1209 | | | | 1211 | | | | | 1211 | | | |
| * 8 AX 21 | | 1211 | Use 130 | AX 225 | | 1212 | | | | | 1405 | | | |
| | | 0304 | | | | 1213 | | | | | 1701 | | | |
| | | 1704 | | | | 1405 | | | | | 1704 | | | |
| | | 1800 | Use 130 | AX 802 | | 1504 | | | | | 1805 | EC | | .01 |
| * 8 AX 29 | | 1704 | Use 130 | AX 803 | | 1506 | | | | * 22 AX 2 | | 0204 | | |
| * 8 AX 36 | | 0903 | Use 130 | AX 256 | | 1602 | | | | | 1204 | - | - | .01 |
| * 8 AX 60 | | 1800 | - | .01 | | 1701 | | | | * 22 AX 4 | | 1201 | EC | .02 |
| * 8 AX 64 | | 0304 | - | .01 | | 1702 | | | | * 22 AX 5 | | 0304 | | |
| * 8 AX 67 | | 0305 | Use 130 | AX 201 | | 1703 | | | | | 0607 | | | |
| * 8 AX 119 | | 1805 | Use 130 | AX 800 | | 1704 | | | | | 1201 | | | |
| * 8 AX 128 | | 1701 | - | .01 | | 1803 | | | | | 1209 | | | |
| * 8 AX 150 | | 0304 | Use 130 | AX 263 | | 2203 | - | .01 | | | 1704 | | | |
| * 8 AX 151 | | 1704 | Use 130 | AX 221 | * 20 AX 4 | | 0301 | | | | 1802 | Use 22 AX | 19 | |
| * 8 AX 155 | | 1805 | Use 130 | AX 329 | | 0601 | | | | | 0402 | Use 22 AX | 22 | |
| * 8 AX 157 | | 1704 | | | | 0609 | | | | * 22 AX 17 | | 0110 | - | .04 |
| | | 1800 | Use 130 | AX 189 | | 1402 | | | | * 22 AX 19 | | 0304 | | |
| * 8 AX 160 | | 0303 | Use 130 | AX 831 | | 1504 | - | .01 | | | 1702 | | | |
| * 8 AX 161 | | 0301 | Use 130 | AX 187 | * 20 AX 5 | | 0101 | | | | 1704 | | | |
| * 8 AX 163 | | 1704 | | | | 0107 | | | | | 2201 | - | - | .01 |
| | | 1704 | Use 130 | AX 226 | | 0204 | | | | * 22 AX 21 | | 0304 | - | .01 |
| * 8 AX 168 | | 0601 | Use 130 | AX 238 | | 0304 | | | | * 22 AX 22 | | 0402 | - | .04 |
| * 10 AX 22 | | 0106 | Use 130 | AX 101 | | 0504 | | | | * 22 AX 23 | | 0607 | | |
| * 10 AX 10 | | 0106 | Use 130 | AX 654 | | 0607 | | | | | 2101 | - | - | .04 |
| * 10 AX 68 | | 1805 | Use 130 | AX 82 | | 0609 | | | | * 23 AX 6 | | 0901 | - | .60 |
| * 11 AX 1 | | 0303 | | | | 0701 | | | | * 23 AX 104 | | 0903 | Use 155 | AX 6 |
| | | 1211 | - | .02 | | 0901 | | | | * 23 AX 144 | | 0901 | - | # |
| * 11 AX 6 | | 1800 | - | .03 | | 0903 | | | | * 23 AX 224 | | 1104 | - | 1.45 |
| * 11 AX 28 | | 1701 | | | | 1007 | | | | * 23 AX 229 | | 1301 | - | .10 |
| | | 1704 | - | .03 | | 1210 | | | | * 23 AX 232 | | 1704 | - | .05 |
| * 11 AX 45 | | 1211 | - | .05 | | 1212 | | | | * 23 AX 283 | | 1213 | - | .10 |
| * 11 AX 63 | | 1800 | - | .05 | | 1213 | | | | * 24 AX 3 | | 1601 | - | .005 |
| * 13 AX 19 | | 0304 | Use 132 | AX 259 | | 1504 | | | | * 24 AX 9 | | 1507 | - | .01 |
| * 13 AX 46 | | 0303 | Use 132 | AX 108 | | 1602 | | | | * 24 AX 12 | | 0110 | | |
| * 13 AX 50 | | 2202 | - | .005 | | 1701 | | | | | 1503 | | | |
| * 14 AX 4 | | 1804 | - | .005 | | 1703 | | | | | 1506 | - | - | .02 |
| * 14 AX 30 | | 1802 | - | .005 | | 1803 | EC | .02 | | * 24 AX 15 | | 1503 | - | .03 |
| * 16 AX 1 | | 0701 | - | .10 | * 20 AX 6 | | 1102 | | | * 24 AX 22 | | 0110 | | |
| * 16 AX 96 | | 0503 | - | .10 | | 1212 | - | .02 | | | 1503 | - | - | .03 |
| * 16 AX 127 | | 0102 | - | .04 | * 20 AX 7 | | 0110 | | | * 24 AX 56 | | 1201 | - | .005 |
| * 16 AX 204 | | 0107 | Use 16 | AX 304 | | 0504 | | | | * 24 AX 73 | | 1601 | - | .005 |
| * 16 AX 273 | | 1103 | - | .21 | | 0701 | | | | * 24 AX 76 | | 1507 | - | .01 |
| * 16 AX 304 | | 0107 | - | .08 | | 0903 | | | | * 24 AX 108 | | 0110 | | |
| * 16 AX 382 | | 0503 | Use 16 | AX 96 | | 1203 | | | | | 1503 | | | |
| * 16 AX 393 | | 0701 | - | .12 | | 1208 | | | | | 1506 | - | - | .02 |
| * 16 AX 399 | | 1213 | - | .05 | | 1507 | | | | * 24 AX 109 | | 0110 | | |
| * 17 AX 42 | | 0108 | - | .07 | | 2101 | - | .03 | | | 1503 | | | |
| * 17 AX 52 | | 0301 | - | .04 | * 20 AX 8 | | 1203 | | | | 1506 | - | - | .03 |
| * 18 AX 143 | | 0301 | - | .08 | | 1205 | - | .04 | | * 24 AX 119 | | 1503 | - | .04 |
| * 18 AX 206 | | 0301 | - | .12 | | 1203 | - | .07 | | * 24 AX 186 | | 1213 | - | |
| * 18 AX 258 | | 1504 | - | .20 | * 20 AX 11 | | 1211 | - | .15 | | 1506 | - | - | .01 |
| * 18 AX 326 | | 1103 | - | .35 | * 20 AX 16 | | 0101 | Use 20 | AX 5 | * 24 AX 190 | | 1503 | - | .01 |
| * 18 AX 340 | | 1102 | - | .15 | * 20 AX 23 | | 1209 | - | .04 | * 24 AX 202 | | 1203 | - | .005 |
| * 18 AX 451 | | 0101 | - | .11 | * 21 AX 6 | | 1007 | - | | * 24 AX 204 | | 1208 | - | .005 |
| * 19 AX 2 | | 0706 | - | .01 | * 21 AX 20 | | 1301 | - | .30 | * 24 AX 226 | | 0105 | - | .002 |
| * 19 AX 3 | | 0304 | - | .015 | * 21 AX 24 | | 1209 | - | | * 24 AX 236 | | 0305 | - | .005 |
| * 19 AX 7 | | 1007 | | | | 1704 | - | .10 | | * 25 AX 2 | | 1202 | - | .005 |
| | | 1103 | - | .04 | * 21 AX 33 | | 0109 | - | .10 | * 25 AX 5 | | 1202 | - | .005 |
| * 20 AX 1 | | 0301 | | | * 21 AX 35 | | 1104 | - | .22 | * 25 AX 14 | | 1804 | - | .005 |
| | | 0303 | | | * 21 AX 56 | | 1205 | | | * 26 AX 29 | | 1208 | - | .01 |
| | | 0504 | | | | 1211 | | | | * 27 AX 8 | | 0301 | - | .005 |
| | | 0602 | | | | 1403 | - | .08 | | * 27 AX 20 | | 1701 | | |
| | | 0604 | | | * 21 AX 58 | | 0106 | - | .08 | | 1704 | - | - | .005 |
| | | 0607 | | | * 21 AX 101 | | 0901 | - | .23 | | 1202 | - | - | .005 |

— Price furnished on application.

* — Indicates part is also used on commercial Vehicles.

NUMERICAL INDEX AND PRICE SECTION

| Code Part No. | Gov't Group | Disc. Code | List Price | Code Part No. | Gov't Group | Disc. Code | List Price | Code Part No. | Gov't Group | Disc. Code | List Price |
|---------------|-------------|------------|------------|---------------|-------------|------------|------------|---------------|-------------|------------|------------|
| * 27 AX 94 | 1202 | - | # | * 35 AX 323 | 2201 | - | .005 | * 36 AX 3 | 1703 | | |
| * 27 AX 124 | 1201 | Use 27 AX | 127 | * 35 AX 351 | 0204 | - | .20 | | 1704 | | |
| * 27 AX 127 | 1201 | - | .005 | * 35 AX 355 | 1802 | - | .02 | | 1803 | | |
| * 28 AX 23 | 0105 | Use 24 AX | 226 | * 35 AX 432 | 0305 | - | .02 | | 2203 | - | .005 |
| * 28 AX 44 | 1805 | - | .005 | * 35 AX 455 | 1704 | - | .02 | * 36 AX 4 | 0108 | | |
| * 28 AX 58 | 0201 | GB | .005 | * 35 AX 456 | 1501 | - | .10 | | 0301 | | |
| * 29 AX 1 | 0303 | - | .001 | * 35 AX 483 | 1007 | - | .06 | | 0601 | | |
| * 29 AX 3 | 0109 | | | * 35 AX 570 | 1800 | - | .10 | | 0609 | | |
| | 1103 | | | * 35 AX 623 | 0706 | - | | | 1205 | | |
| | 1104 | | | | 1805 | - | .005 | | 1402 | | |
| | 1212 | | | * 35 AX 664 | 1800 | - | .05 | | 1503 | | |
| | 1301 | - | .001 | * 35 AX 675 | 1201 | - | .04 | | 1504 | | |
| * 29 AX 4 | 0112 | - | .002 | * 35 AX 676 | 1805 | - | .005 | | 1507 | | |
| * 29 AX 5 | 1007 | | | * 35 AX 707 | 1301 | - | .90 | | 1704 | - | .01 |
| | 1301 | - | .002 | * 35 AX 710 | 0504 | - | .15 | * 36 AX 5 | 0105 | | |
| * 29 AX 7 | 0901 | | | * 35 AX 735 | 0204 | - | | | 0107 | | |
| | 1007 | | | | 1204 | - | .05 | | 0110 | | |
| | 1104 | | | * 35 AX 739 | 0303 | - | .05 | | 0304 | | |
| | 1301 | - | .002 | * 35 AX 791 | 0607 | - | .15 | | 0504 | | |
| * 29 AX 8 | 1104 | - | .002 | * 35 AX 856 | 0901 | - | .35 | | 0601 | | |
| * 29 AX 10 | 0303 | Use 29 AX | 1 | * 36 AX 1 | 0301 | | | | 0607 | | |
| * 29 AX 11 | 0112 | Use 29 AX | 43 | | 0303 | | | | 0609 | | |
| * 29 AX 12 | 1103 | | | | 0304 | | | | 0701 | | |
| | 1212 | | | | 0501 | | | | 0901 | | |
| | 1403 | | | | 0503 | | | | 0903 | | |
| | 1507 | - | .002 | | 0504 | | | | 1103 | | |
| * 29 AX 13 | 1103 | | | | 0602 | | | | 1203 | | |
| | 1201 | - | .002 | | 0604 | | | | 1210 | | |
| * 29 AX 14 | 0204 | | | | 0607 | | | | 1213 | | |
| | 1201 | - | .002 | | 0609 | | | | 1302 | | |
| * 29 AX 19 | 1212 | | | | 1207 | | | | 1503 | | |
| | 1507 | - | .005 | | 1209 | | | | 1504 | | |
| * 29 AX 33 | 1104 | - | .002 | | 1211 | | | | 1507 | | |
| * 29 AX 43 | 0112 | | | | 1213 | | | | 1602 | | |
| | 0204 | | | | 1504 | | | | 1701 | | |
| | 0304 | | | | 1701 | | | | 1703 | | |
| | 1201 | | | | 1702 | | | | 1803 | - | .01 |
| | 1212 | - | .005 | | 1703 | | | * 36 AX 6 | 1102 | - | .01 |
| * 29 AX 51 | 1203 | - | .002 | | 1704 | | | | 1103 | - | .01 |
| * 29 AX 52 | 0901 | | | | 1801 | | | * 36 AX 7 | 0110 | | |
| | 1203 | - | .002 | | 1802 | | | | 0701 | | |
| * 29 AX 54 | 1704 | - | 8 for .01 | | 1805 | | | | 1203 | | |
| * 29 AX 55 | 1704 | - | .001 | | 1806 | | .005 | | 1208 | | |
| * 29 AX 57 | 1507 | - | .001 | * 36 AX 2 | 0102 | | | | 1405 | | |
| * 30 AX 12 | 1213 | - | .01 | | 0501 | | | | 1507 | | |
| * 31 AX 7 | 0503 | - | .02 | | 0601 | | | | 2101 | - | .01 |
| * 31 AX 9 | 0305 | - | .01 | | 0603 | | | * 36 AX 9 | 1203 | - | .02 |
| * 31 AX 10 | 0107 | - | .01 | | 0608 | | | | 1205 | - | .03 |
| * 31 AX 95 | 0903 | - | .03 | | 0903 | | | * 36 AX 10 | 1203 | - | .03 |
| * 31 AX 102 | 0603 | - | .02 | | 1208 | | | * 36 AX 14 | 0303 | | |
| * 31 AX 119 | 0110 | - | .06 | | 1213 | | | | 0304 | | |
| * 31 AX 123 | 0102 | - | .01 | | 1301 | | | | 0501 | | |
| * 31 AX 126 | 1103 | - | .06 | | 1405 | | | | 0606 | | |
| * 31 AX 138 | 1103 | - | .03 | | 1602 | | | | 1209 | | |
| * 31 AX 180 | 2306 | - | .06 | | 1701 | | | | 1211 | | |
| * 31 AX 208 | 1104 | - | .04 | | 1704 | | | | 1704 | | |
| * 31 AX 255 | 0102 | - | .02 | | 1801 | - | .005 | | 1801 | | |
| * 31 AX 279 | 1007 | - | .18 | * 36 AX 3 | 0101 | | | | 1802 | | |
| * 31 AX 280 | 1007 | - | .18 | | 0102 | | | | 1805 | | .002 |
| * 31 AX 281 | 1007 | - | .18 | | 0107 | | | * 36 AX 15 | 0503 | - | .01 |
| * 31 AX 284 | 1203 | - | .02 | | 0110 | | | * 36 AX 16 | 0301 | - | .002 |
| * 31 AX 301 | 1202 | - | .05 | | 0204 | | | | 0609 | - | .002 |
| * 31 AX 375 | 1203 | - | .10 | | 0207 | | | * 36 AX 17 | 0304 | | |
| * 33 AX 6 | 1201 | - | .07 | | 0301 | | | | 0601 | - | .002 |
| * 33 AX 18 | 0303 | - | .06 | | 0304 | | | * 36 AX 20 | 0301 | Use 36 AX | 16 |
| * 33 AX 19 | 0204 | Use 33 AX | 91 | | 0305 | | | * 36 AX 22 | 0101 | | |
| * 33 AX 21 | 1301 | - | .03 | | 0401 | | | | 0301 | | |
| * 33 AX 27 | 1201 | - | .10 | | 0501 | | | | 0303 | | |
| * 33 AX 46 | 0204 | | | | 0503 | | | | 1211 | | |
| | 1212 | - | .08 | | 0504 | | | | 1405 | | |
| * 33 AX 53 | 1301 | Use 33 AX | 21 | | 0505 | | | | 1701 | | |
| * 33 AX 54 | 1212 | - | .10 | | 0601 | | | | 1703 | | |
| * 33 AX 80 | 1201 | Use 33 AX | 6 | | 0602 | | | | 1704 | - | .005 |
| * 33 AX 91 | 0204 | | | | 0607 | | | * 36 AX 39 | 0606 | Use 36 AX | 16 |
| | 1212 | - | .08 | | 0701 | | | * 36 AX 41 | 1103 | | |
| * 33 AX 142 | 1201 | - | .20 | | 0706 | | | | 2101 | - | .01 |
| * 35 AX 1 | 1704 | - | .01 | | 0901 | | | * 36 AX 42 | 0108 | Use 36 AX | 4 |
| * 35 AX 23 | 0101 | - | .14 | | 1007 | | | * 36 AX 52 | 1209 | - | .005 |
| * 35 AX 51 | 1201 | - | .05 | | 1103 | | | * 36 AX 57 | 0503 | - | .005 |
| * 35 AX 66 | 0501 | - | .02 | | 1201 | | | * 36 AX 60 | 0303 | - | .005 |
| * 35 AX 74 | 1805 | - | .01 | | 1207 | | | * 37 AX 1 | 0105 | | |
| * 35 AX 172 | 0402 | - | .05 | | 1209 | | | | 0302 | | |
| * 35 AX 180 | 0706 | Use 35 AX | 623 | | 1210 | | | | 0505 | | |
| * 35 AX 190 | 1211 | - | .02 | | 1211 | | | | 0601 | | |
| * 35 AX 191 | 1211 | - | .05 | | 1213 | | | | 1211 | EC | .01 |
| * 35 AX 242 | 1805 | - | .005 | | 1302 | | | * 37 AX 2 | 0102 | - | .005 |
| * 35 AX 246 | 0604 | - | .02 | | 1405 | | | | 1702 | - | .002 |
| * 35 AX 272 | 0101 | Use 37 AX | 325 | | 1504 | | | * 37 AX 5 | 0503 | - | .005 |
| * 35 AX 289 | 1104 | - | .07 | | 1506 | | | * 37 AX 6 | 1213 | - | .01 |
| * 35 AX 295 | 0701 | - | | | 1602 | | | * 37 AX 7 | 0101 | EC | .01 |
| | 0704 | - | .02 | | 1701 | | | * 37 AX 10 | 0701 | Use 37 AX | 83 |
| * 35 AX 310 | 0304 | - | .02 | | 1702 | | | * 37 AX 19 | 1204 | - | .02 |

— Price furnished on application.

* — Indicates part is also used on commercial Vehicles.

NUMERICAL INDEX AND PRICE SECTION

| Code | Part No. | Gov't Group | Disc. Code | List Price | Code | Part No. | Gov't Group | Disc. Code | List Price | Code | Part No. | Gov't Group | Disc. Code | List Price |
|-------------|----------|-------------|------------|------------|-------------|----------|-------------|------------|------------|--------------|----------|-------------|------------|------------|
| * 37 AX 27 | 1203 | - | | .03 | * 46 AX 200 | 0112 | Use | 46 AX 235 | 6.00 | * 62 AX 296 | 0704 | BT | | 2.89 |
| * 37 AX 28 | 1201 | - | | | * 46 AX 235 | 0112 | BB | | 6.00 | * 63 AX 3 | 0101 | - | | |
| | 1803 | - | | .01 | * 46 AX 302 | 0703 | BB | | 7.55 | | 1203 | - | | |
| * 37 AX 29 | 1805 | - | | .01 | * 46 AX 303 | 0704 | Use | 46 AX 307 | 3.20 | | 1403 | EC | | .05 |
| * 37 AX 35 | 1803 | - | | .02 | * 46 AX 304 | 0503 | BB | | 2.90 | * 63 AX 4 | 0503 | - | | |
| * 37 AX 38 | 1403 | - | | .01 | * 46 AX 305 | 0503 | BB | | 2.90 | | 1103 | EC | | .03 |
| * 37 AX 39 | 0606 | - | | | * 46 AX 307 | 0703 | BB | | 7.25 | * 63 AX 6 | 1211 | - | | .10 |
| | 1704 | - | | | * 46 AX 310 | 0205 | BB | | 4.20 | * 63 AX 13 | 0505 | - | | .24 |
| | 1804 | EC | | .01 | * 46 AX 318 | 0704 | Use | 46 AX 319 | 0703 | * 63 AX 14 | 0505 | CZ | | .20 |
| * 37 AX 62 | 1203 | - | | .01 | * 46 AX 319 | 0703 | | | 9.10 | * 63 AX 27 | 0701 | - | | .10 |
| * 37 AX 63 | 1803 | - | | .01 | | 0704 | BB | | 6.00 | * 63 AX 45 | 0503 | - | | |
| * 37 AX 66 | 0304 | - | | | * 46 AX 320 | 0704 | BB | | 14.80 | | 1403 | - | | .02 |
| | 0607 | - | | | * 46 AX 321 | 0703 | BB | | 9.35 | * 63 AX 51 | 0101 | - | | |
| | 1405 | - | | .005 | * 46 AX 322 | 0703 | BB | | 3.00 | | 0701 | - | | |
| * 37 AX 79 | 1800 | - | | .002 | * 46 AX 323 | 0203 | BB | | 15.60 | * 63 AX 70 | 1101 | EC | | .05 |
| * 37 AX 81 | 0501 | - | | .005 | * 46 AX 348 | 0903 | BB | | .76 | * 63 AX 75 | 1211 | - | | .20 |
| | 0604 | - | | | * 47 AX 29 | 1007 | BB | | .02 | * 63 AX 78 | 0603 | - | | .15 |
| * 37 AX 83 | 0701 | - | | | * 48 AX 6 | 1203 | BB | | .04 | | 0701 | - | | |
| | 1213 | - | | .02 | * 48 AX 11 | 0706 | - | | .06 | * 63 AX 80 | 1211 | Use | 63 AX 1026 | .20 |
| * 37 AX 93 | 2101 | - | | .02 | * 48 AX 12 | 0706 | - | | .10 | * 63 AX 81 | 1103 | - | | .15 |
| * 37 AX 105 | 0301 | - | | .002 | * 49 AX 4 | 0505 | - | | .02 | * 63 AX 94 | 0505 | - | | .15 |
| * 37 AX 130 | 0501 | - | | .03 | * 49 AX 33 | 1800 | - | | .08 | * 63 AX 102 | 0101 | Use | 63 AX 3 | .10 |
| * 37 AX 166 | 1704 | - | # | | * 49 AX 34 | 1800 | - | | .10 | * 63 AX 107 | 1211 | - | | .10 |
| * 37 AX 172 | 0110 | - | | | * 49 AX 51 | 1805 | - | | .20 | * 63 AX 112 | 0304 | - | | .05 |
| | 0504 | - | | | * 49 AX 70 | 1203 | - | | .03 | * 63 AX 122 | 0108 | - | | .15 |
| | 0903 | - | | .01 | * 52 AX 5 | 1211 | - | | .02 | * 63 AX 132 | 0101 | Use | 63 AX 51 | .15 |
| * 37 AX 175 | 0301 | - | | | * 52 AX 6 | 0304 | - | | .01 | * 63 AX 136 | 1211 | - | | .15 |
| | 1701 | - | | .002 | * 52 AX 7 | 0304 | Use | 52 AX 15 | .02 | * 63 AX 140 | 0302 | - | | .15 |
| | 1805 | - | | .01 | * 52 AX 9 | 0505 | - | | .02 | * 63 AX 148 | 1211 | - | | .20 |
| * 37 AX 182 | 0601 | - | | .01 | * 52 AX 15 | 0304 | - | | .02 | * 63 AX 149 | 1403 | - | | .04 |
| * 37 AX 183 | 1209 | - | | .01 | | 1211 | BW | | .02 | * 63 AX 155 | 0101 | - | | .03 |
| * 37 AX 191 | 1704 | - | | .01 | * 52 AX 16 | 1211 | BW | | .04 | * 63 AX 170 | 0304 | - | | .09 |
| * 37 AX 230 | 0603 | - | | | * 52 AX 17 | 1211 | BW | | .04 | * 63 AX 222 | 1211 | - | | .40 |
| | 1701 | - | | | * 53 AX 1 | 0304 | - | | | * 63 AX 262 | 1211 | - | | .22 |
| | 1703 | - | | | | 0501 | - | | | * 63 AX 285 | 1209 | - | | .06 |
| | 1802 | - | | .002 | | 0606 | - | | | * 63 AX 290 | 0304 | - | | .09 |
| * 37 AX 256 | 0108 | EC | | .01 | | 1209 | - | | | * 63 AX 329 | 0107 | - | | .10 |
| * 37 AX 259 | 1402 | - | | .01 | | 1211 | - | | | * 63 AX 330 | 0107 | - | | .11 |
| * 37 AX 261 | 1103 | - | | .02 | | 1704 | - | | | * 63 AX 332 | 0107 | - | | .12 |
| * 37 AX 275 | 1203 | - | | .05 | | 1802 | - | | | * 63 AX 335 | 0505 | - | | .05 |
| * 37 AX 284 | 1203 | - | | .005 | | 1806 | - | | .005 | * 63 AX 351 | 1211 | - | | .20 |
| * 37 AX 315 | 1103 | - | | .05 | * 53 AX 4 | 0304 | - | | | * 63 AX 355 | 1211 | - | | .15 |
| * 37 AX 325 | 0101 | Use | 37 AX 419 | | | 0501 | - | | .01 | * 63 AX 361 | 0304 | - | | .07 |
| * 37 AX 344 | 0901 | - | | .05 | | 1704 | - | | | * 63 AX 362 | 0304 | - | | .07 |
| * 37 AX 371 | 1203 | - | | .005 | * 53 AX 6 | 0303 | - | | | * 63 AX 366 | 0505 | - | | .06 |
| * 37 AX 373 | 1402 | - | | .01 | | 0305 | - | | | * 63 AX 372 | 1211 | - | | .36 |
| * 37 AX 380 | 1203 | - | | .02 | | 1704 | - | | | * 63 AX 417 | 1211 | - | | .70 |
| * 37 AX 382 | 0504 | - | | | | 1805 | EC | | .01 | * 63 AX 418 | 1211 | - | | .75 |
| | 1704 | - | | .05 | * 53 AX 9 | 1704 | - | | .01 | * 63 AX 458 | 0107 | - | | |
| * 37 AX 419 | 0101 | - | | | * 53 AX 18 | 0301 | - | | .005 | | 0304 | - | | .12 |
| | 0107 | - | | .03 | * 55 AX 55 | 1213 | - | | 1.25 | * 63 AX 483 | 0304 | - | | .15 |
| * 39 AX 2 | 0105 | Use | 37 AX 1 | | * 56 AX 1 | 1213 | G | | .03 | * 63 AX 487 | 1211 | Use | 63 AX 1085 | .16 |
| * 39 AX 5 | 0505 | Use | 37 AX 1 | | * 56 AX 32 | 0101 | Use | 57 AX 25 | .15 | * 63 AX 490 | 0304 | - | | .16 |
| * 39 AX 22 | 1209 | - | | .02 | * 56 AX 92 | 1103 | G | | .03 | * 63 AX 491 | 1211 | Use | 63 AX 1093 | .10 |
| * 39 AX 23 | 0107 | Use | 37 AX 325 | | * 56 AX 173 | 0603 | G | | .05 | * 63 AX 497 | 0304 | - | | |
| * 41 AX 186 | 1007 | WF | | .10 | * 56 AX 179 | 0304 | G | | .03 | | 1211 | Use | 63 AX 1081 | .25 |
| * 41 AX 236 | 1103 | WF | | .20 | * 56 AX 181 | 0304 | G | | .05 | * 63 AX 524 | 1211 | - | | .35 |
| * 41 AX 239 | 0903 | - | # | | * 56 AX 192 | 1301 | - | | .10 | * 63 AX 575 | 0701 | - | | .07 |
| * 41 AX 240 | 0301 | WF | | .55 | * 57 AX 25 | 0101 | G | | .10 | | 1101 | - | | .06 |
| * 42 AX 10 | 1201 | - | | .04 | * 58 AX 48 | 1800 | - | | .35 | * 63 AX 580 | 1211 | EC | | .45 |
| * 42 AX 25 | 0102 | - | | | * 58 AX 55 | 1203 | - | | .10 | * 63 AX 607 | 1209 | BL | | .30 |
| | 0503 | - | | .08 | * 58 AX 59 | 0304 | - | | .15 | * 63 AX 608 | 1209 | BL | | .10 |
| * 42 AX 28 | 0503 | - | | .04 | * 58 AX 71 | 1402 | - | | .15 | * 63 AX 672 | 1211 | - | | .30 |
| * 42 AX 42 | 0112 | - | | .03 | * 58 AX 77 | 1203 | - | | .25 | * 63 AX 697 | 0505 | - | | .12 |
| * 42 AX 77 | 0901 | - | | .16 | * 58 AX 82 | 1201 | - | | .20 | * 63 AX 723 | 1211 | - | | .10 |
| * 42 AX 138 | 0204 | - | | .04 | * 58 AX 105 | 1800 | - | | .15 | * 63 AX 764 | 0304 | - | | .10 |
| * 42 AX 142 | 0107 | - | | .04 | * 58 AX 106 | 1800 | - | | .20 | * 63 AX 845 | 0304 | - | | .05 |
| * 42 AX 214 | 0106 | - | | .04 | * 58 AX 109 | 1201 | - | | .15 | * 63 AX 890 | 0304 | - | | .26 |
| * 42 AX 254 | 0204 | Use | 42 AX 138 | | * 58 AX 127 | 0303 | - | | .16 | * 63 AX 910 | 1209 | - | | .20 |
| * 42 AX 282 | 0204 | - | | .05 | * 58 AX 128 | 0706 | - | | 3.50 | * 63 AX 911 | 1209 | - | | .10 |
| * 42 AX 286 | 1104 | - | | .26 | * 58 AX 137 | 1203 | - | | .20 | * 63 AX 1005 | 1211 | BW | | .05 |
| * 42 AX 291 | 0503 | - | | .04 | * 58 AX 144 | 1201 | - | | .15 | * 63 AX 1006 | 1211 | BW | | .10 |
| * 42 AX 318 | 0704 | - | | .30 | * 60 AX 29 | 0402 | EC | | .16 | * 63 AX 1026 | 1211 | BC | | .15 |
| * 42 AX 339 | 0704 | - | | .30 | * 61 AX 45 | 0304 | - | | | * 63 AX 1058 | 1211 | - | | .20 |
| * 42 AX 348 | 0204 | - | | .05 | * 61 AX 54 | 0501 | - | | | * 63 AX 1081 | 0304 | - | | |
| * 42 AX 372 | 1007 | - | | .05 | | 1213 | - | | .20 | | 1211 | BW | | .23 |
| * 43 AX 9 | 0203 | - | | .03 | * 61 AX 62 | 1211 | BW | | 2.20 | * 63 AX 1083 | 1211 | BW | | .23 |
| * 43 AX 22 | 0704 | - | | .02 | * 62 AX 75 | 1301 | BT | | 10.91 | * 63 AX 1084 | 1211 | BW | | .23 |
| * 43 AX 29 | 0305 | GP | | .12 | * 62 AX 102 | 1103 | BT | | 6.83 | * 63 AX 1085 | 1211 | BW | | .36 |
| * 44 AX 62 | 0903 | - | | | * 62 AX 182 | 1301 | BT | | 8.66 | * 63 AX 1086 | 1211 | BW | | .55 |
| | 1203 | - | | | * 62 AX 183 | 0704 | BT | | 5.85 | * 63 AX 1090 | 1211 | BW | | .23 |
| | 1507 | LE | | .05 | * 62 AX 190 | 1104 | BT | | 10.71 | * 63 AX 1092 | 1211 | BW | | .27 |
| * 44 AX 63 | 0203 | - | | | * 62 AX 192 | 1104 | BT | | 11.48 | * 63 AX 1093 | 1211 | BW | | .41 |
| | 1507 | LE | | .11 | * 62 AX 201 | 1104 | BT | | 7.30 | * 63 AX 1103 | 1211 | BW | | .40 |
| * 44 AX 64 | 0203 | LE | | .10 | * 62 AX 202 | 1403 | BT | | 2.05 | * 63 AX 1142 | 1211 | - | | .30 |
| * 44 AX 65 | 1007 | LE | | .11 | * 62 AX 214 | 1104 | BT | | 8.45 | * 63 AX 1145 | 1211 | BW | | .30 |
| * 45 AX 23 | 0503 | - | | .15 | * 62 AX 216 | 0704 | BT | | 4.76 | * 63 AX 1152 | 1211 | BK | | .25 |
| * 46 AX 7 | 0601 | BB | | 2.10 | * 62 AX 223 | 1301 | BT | | 3.25 | * 63 AX 1164 | 0505 | - | | .25 |
| * 46 AX 8 | 0601 | BB | | 4.10 | * 62 AX 224 | 1301 | BT | | 5.11 | | | | | |
| * 46 AX 14 | 1213 | BB | | 4.60 | * 62 AX 268 | 0704 | BT | | 3.95 | | | | | |
| * 46 AX 51 | 0903 | BB | | 18.00 | * 62 AX 278 | 0704 | BT | | 3.25 | | | | | |
| * 46 AX 64 | 0112 | BB | | 4.00 | * 62 AX 280 | 1103 | BT | | 7.00 | | | | | |

— Price furnished on application.

* — Indicates part is also used on commercial Vehicles.

NUMERICAL INDEX AND PRICE SECTION

| Code | Part No. | Gov't Group | Disc. Code | List Price | Code | Part No. | Gov't Group | Disc. Code | List Price | Code | Part No. | Gov't Group | Disc. Code | List Price |
|--------------|----------|-------------|------------|------------|--------------|----------|-------------|------------|------------|--------------|----------|-------------|------------|------------|
| * 63 AX 1165 | | 1211 | - | .50 | * 83 AX 114 | 0304 | | | | * 123 AX 34 | 0304 | - | | .01 |
| * 63 AX 1219 | | 1211 | - | .45 | | 1211 | - | | .05 | * 123 AX 36 | 0110 | | | |
| * 64 AX 15 | | 1301 | BT | 1.95 | * 83 AX 118 | 1211 | Use 83 AX | | 247 | | 0504 | | | |
| * 64 AX 16 | | 1301 | BT | 2.92 | * 83 AX 174 | 0606 | - | | .10 | | 0903 | | | |
| * 64 AX 35 | | 1301 | BT | 6.59 | * 83 AX 176 | 0304 | - | | .03 | | 1704 | | | |
| * 64 AX 72 | | 1301 | BT | 6.18 | * 83 AX 214 | 0107 | - | | .05 | | 1803 | - | | .01 |
| * 64 AX 89 | | 1104 | BT | 7.60 | * 83 AX 215 | 0107 | - | | .06 | * 123 AX 37 | 1205 | - | | .01 |
| * 64 AX 105 | | 1104 | BT | 5.62 | * 83 AX 247 | 1211 | - | | .10 | * 123 AX 40 | 0605 | - | | .01 |
| * 64 AX 109 | | 1403 | BT | 1.25 | * 83 AX 257 | 0903 | - | | .10 | * 130 AX 82 | 1805 | - | | .02 |
| * 64 AX 110 | | 1403 | BT | 1.25 | * 83 AX 292 | 0602 | - | | .05 | * 130 AX 83 | 1805 | - | | .02 |
| * 64 AX 122 | | 1104 | BT | 9.50 | * 83 AX 308 | 2203 | - | | .05 | * 130 AX 97 | 0501 | - | | .02 |
| * 64 AX 123 | | 1103 | BT | 10.25 | * 84 AX 24 | 0204 | - | | | * 130 AX 101 | 0106 | - | | .02 |
| * 64 AX 127 | | 1103 | BT | 13.68 | | 1212 | - | | | * 130 AX 104 | 0304 | - | | .01 |
| * 64 AX 142 | | 0704 | BT | 4.06 | | 1213 | - | | .35 | * 130 AX 187 | 0301 | - | | |
| * 64 AX 153 | | 0704 | BT | 1.71 | * 84 AX 26 | 0303 | - | | .30 | | 1800 | - | | .01 |
| * 64 AX 154 | | 0703 | | | * 84 AX 36 | 1212 | - | | .40 | * 130 AX 189 | 1704 | - | | .01 |
| | | 0903 | BT | 2.50 | * 84 AX 38 | 0204 | - | | .35 | * 130 AX 201 | 0303 | - | | .01 |
| * 64 AX 155 | | 0704 | BT | 2.50 | * 84 AX 120 | 1201 | - | | .25 | * 130 AX 202 | 0606 | - | | .01 |
| * 64 AX 156 | | 0704 | BT | 3.11 | * 84 AX 132 | 0204 | - | | .35 | * 130 AX 203 | 0606 | - | | .01 |
| * 64 AX 157 | | 0704 | BT | 6.09 | * 84 AX 134 | 1212 | - | | .25 | * 130 AX 205 | 1805 | - | | .01 |
| * 64 AX 160 | | 1103 | BT | 5.15 | * 84 AX 184 | 1212 | - | | .40 | * 130 AX 221 | 1704 | - | | .01 |
| * 67 AX 119 | | 1104 | BR | 8.10 | * 84 AX 239 | 1201 | - | | .55 | * 130 AX 222 | 0501 | - | | |
| * 67 AX 132 | | 0704 | BR | 1.40 | * 85 AX 1 | 0606 | - | | .05 | | 1806 | - | | .02 |
| * 67 AX 148 | | 0704 | BR | 4.00 | * 85 AX 37 | 0606 | - | | .05 | * 130 AX 224 | 1802 | - | | .01 |
| * 67 AX 149 | | 0704 | BR | 1.50 | * 85 AX 39 | 0606 | - | | .05 | * 130 AX 225 | 0303 | - | | |
| * 67 AX 150 | | 0704 | BR | 5.20 | * 86 AX 5 | 0602 | - | | .10 | | 0606 | - | | |
| * 73 AX 10 | | 1802 | - | .02 | * 86 AX 7 | 0604 | - | | .02 | | 1211 | - | | .02 |
| * 73 AX 11 | | 1802 | - | .05 | * 86 AX 8 | 0604 | - | | .02 | * 130 AX 226 | 1704 | - | | .02 |
| * 73 AX 12 | | 0608 | - | .02 | * 86 AX 10 | 0602 | - | | .05 | * 130 AX 227 | 1802 | - | | .01 |
| * 73 AX 20 | | 1704 | - | | * 86 AX 13 | 0604 | - | | .02 | * 130 AX 229 | 0606 | - | | .02 |
| | | 1800 | - | .15 | * 86 AX 15 | 0604 | ED | | .05 | * 130 AX 238 | 0601 | - | | .01 |
| * 73 AX 28 | | 1802 | - | .03 | * 86 AX 16 | 0606 | - | | .02 | * 130 AX 240 | 0501 | - | | .10 |
| * 73 AX 33 | | 1805 | - | .02 | * 86 AX 17 | 0608 | - | | .02 | * 130 AX 242 | 0304 | - | | .02 |
| * 75 AX 9 | | 0305 | | | * 87 AX 1 | 0303 | - | | | * 130 AX 244 | 0501 | - | | .02 |
| | | 2202 | Use 24 AX | 236 | | 2203 | - | | .05 | * 130 AX 245 | 0501 | - | | .02 |
| * 75 AX 62 | | 1800 | - | .01 | * 87 AX 3 | 1800 | - | | .10 | * 130 AX 256 | 0903 | - | | |
| * 75 AX 226 | | 1801 | Use 133 AX | 99 | * 87 AX 5 | 1405 | - | | .25 | | 1801 | - | | .02 |
| * 75 AX 227 | | 1800 | Use 133 AX | 100 | * 87 AX 7 | 0607 | - | | | * 130 AX 258 | 1209 | - | | .02 |
| * 75 AX 230 | | 0304 | | | | 0608 | - | | .05 | * 130 AX 260 | 1802 | - | | .02 |
| | | 2202 | Use 133 AX | 106 | * 88 AX 42 | 1403 | - | | .15 | * 130 AX 262 | 1802 | - | | .02 |
| * 75 AX 248 | | 1800 | Use 133 AX | 127 | * 88 AX 58 | 1301 | - | | .90 | * 130 AX 263 | 0304 | - | | .02 |
| * 75 AX 249 | | 1702 | Use 133 AX | 128 | * 88 AX 59 | 1301 | AT | | 1.75 | * 130 AX 270 | 1800 | - | | .02 |
| * 75 AX 269 | | 1704 | - | .01 | * 88 AX 86 | 1403 | - | | .15 | * 130 AX 272 | 1800 | - | | .02 |
| * 75 AX 270 | | 0608 | Use 133 AX | 15 | * 88 AX 126 | 1103 | - | | .95 | * 130 AX 273 | 1405 | - | | .02 |
| * 75 AX 357 | | 1800 | | | * 88 AX 127 | 1403 | - | | .95 | * 130 AX 302 | 1704 | - | | .01 |
| | | 1805 | Use 133 AX | 258 | * 88 AX 157 | 1301 | - | | 1.35 | * 130 AX 329 | 1805 | - | | .03 |
| * 77 AX 1 | | 0612 | - | .05 | * 88 AX 169 | 0101 | - | | .35 | * 130 AX 351 | 1801 | - | | .02 |
| * 79 AX 25 | | 1007 | - | .05 | * 89 AX 3 | 1801 | Use 130 AX | | 351 | * 130 AX 354 | 1805 | - | | .02 |
| * 80 AX 107 | | 0204 | BC | .45 | * 91 AX 9 | 1213 | - | | .12 | * 130 AX 504 | 1201 | - | | .02 |
| * 80 AX 129 | | 1204 | BC | .50 | * 91 AX 21 | 1201 | - | | .18 | * 130 AX 654 | 0106 | - | | .01 |
| * 80 AX 141 | | 0204 | BC | .45 | * 91 AX 25 | 1201 | - | | .18 | * 130 AX 800 | 1801 | - | | |
| * 80 AX 196 | | 1201 | Use 80 AX | 394 | * 94 AX 26 | 1212 | Use 94 AX | | 27 | | 1805 | - | | .01 |
| * 80 AX 201 | | 1007 | BC | .35 | * 94 AX 27 | 1212 | - | | .21 | * 130 AX 802 | 0304 | - | | .01 |
| * 80 AX 205 | | 1202 | BL | .18 | * 94 AX 33 | 1212 | - | | .26 | * 130 AX 803 | 1704 | - | | .02 |
| * 80 AX 206 | | 1203 | BC | .15 | * 94 AX 53 | 1212 | - | | .32 | * 130 AX 806 | 1704 | - | | .01 |
| * 80 AX 212 | | 1202 | BC | .85 | * 94 AX 58 | 1212 | Use 94 AX | | 59 | * 130 AX 831 | 0303 | - | | .02 |
| * 80 AX 220 | | 1203 | BC | .20 | * 94 AX 59 | 1212 | - | | .32 | * 130 AX 833 | 0501 | - | | .01 |
| * 80 AX 221 | | 1203 | BC | .45 | * 94 AX 68 | 1212 | Use 94 AX | | 69 | * 131 AX 158 | 1805 | - | | .01 |
| * 80 AX 234 | | 1203 | BC | .45 | * 94 AX 69 | 1212 | - | | .32 | * 132 AX 108 | 0303 | - | | .01 |
| * 80 AX 237 | | 1212 | BC | .35 | * 97 AX 12 | 1203 | - | | .07 | * 132 AX 259 | 0304 | - | | |
| * 80 AX 320 | | 0704 | BC | .80 | * 98 AX 509 | 2203 | SW | | 2.65 | | 1802 | - | | |
| * 80 AX 349 | | 0704 | BC | .70 | * 98 AX 510 | 2203 | SW | | 2.75 | | 1804 | - | | .005 |
| * 80 AX 350 | | 0704 | BC | .75 | * 98 AX 511 | 2203 | SW | | 3.25 | * 133 AX 15 | 0608 | - | | .01 |
| * 80 AX 394 | | 1201 | BC | .25 | * 98 AX 522 | 2203 | SW | | 5.75 | * 133 AX 28 | 1702 | - | | .01 |
| * 83 AX 4 | | 0301 | - | .08 | * 103 AX 33 | 1805 | - | | .02 | * 133 AX 52 | 1805 | - | | .01 |
| * 83 AX 5 | | 1213 | - | .07 | * 103 AX 35 | 1805 | - | | .01 | * 133 AX 99 | 1801 | - | | .01 |
| * 83 AX 6 | | 0505 | - | .07 | * 103 AX 41 | 1805 | - | | .02 | * 133 AX 100 | 1800 | - | | .01 |
| * 83 AX 7 | | 0301 | - | .07 | * 104 AX 20 | 1703 | - | | .05 | * 133 AX 106 | 0304 | - | | |
| * 83 AX 13 | | 1211 | - | .06 | * 104 AX 23 | 1402 | - | | .06 | | 1805 | - | | .01 |
| * 83 AX 16 | | 1211 | - | .06 | * 104 AX 55 | 1801 | - | | .06 | * 133 AX 108 | 1802 | - | | .005 |
| * 83 AX 17 | | 0301 | - | .08 | * 105 AX 119 | 1211 | - | | 1.25 | * 133 AX 127 | 1800 | - | | .01 |
| * 83 AX 21 | | 1211 | - | .04 | * 105 AX 120 | 1211 | - | | 1.40 | * 133 AX 258 | 1800 | - | | |
| * 83 AX 25 | | 0107 | | | * 105 AX 125 | 1211 | - | | 1.85 | | 1805 | - | | .01 |
| | | 0606 | | | * 107 AX 9 | 0603 | Use 244 AX | | 9 | * 133 AX 289 | 1800 | - | | .01 |
| | | 1209 | - | .04 | * 107 AX 13 | 0603 | Use 244 AX | | 13 | * 133 AX 292 | 1704 | - | | .01 |
| * 83 AX 26 | | 1209 | - | .03 | * 108 AX 16 | 0302 | - | | .16 | * 134 AX 58 | 0609 | - | | .20 |
| * 83 AX 27 | | 0303 | - | | * 108 AX 28 | 0304 | - | | .30 | * 134 AX 60 | 0609 | - | | .20 |
| | | 0606 | - | .04 | * 108 AX 34 | 0304 | - | | .38 | * 136 AX 33 | 1704 | - | | .30 |
| * 83 AX 28 | | 1211 | - | .05 | * 108 AX 40 | 0304 | - | | .43 | * 136 AX 48 | 1800 | - | | .32 |
| * 83 AX 29 | | 1209 | - | .03 | * 108 AX 55 | 0304 | - | | .60 | * 136 AX 88 | 1800 | - | | .70 |
| * 83 AX 31 | | 0304 | | | * 108 AX 96 | 0304 | - | | 1.05 | * 155 AX 4 | 1702 | - | | |
| | | 1211 | - | | * 108 AX 104 | 0304 | - | | 1.15 | | 1704 | - | | |
| | | 2203 | - | .05 | * 109 AX 14 | 0505 | Use 245 AX | | 14 | | 1800 | - | | .005 |
| * 83 AX 35 | | 0107 | - | .03 | * 110 AX 50 | 1211 | - | | .85 | * 155 AX 5 | 0501 | - | | |
| * 83 AX 40 | | 1209 | - | .05 | * 113 AX 24 | 1801 | - | | .05 Ft. | | 1703 | - | | .005 |
| * 83 AX 64 | | 0606 | - | | * 114 AX 56 | 0606 | - | | .28 | * 155 AX 6 | 0903 | - | | .005 |
| | | 1211 | - | .05 | * 115 AX 14 | 0302 | - | | .07 Ft. | * 155 AX 7 | 0301 | - | | |
| * 83 AX 88 | | 1211 | - | .04 | * 115 AX 14 | 0302 | - | | .07 Ft. | | 1802 | - | | .01 |
| * 83 AX 103 | | 1800 | - | .03 | * 120 AX 17 | 0901 | - | | .18 | * 155 AX 8 | 0501 | - | | |
| * 83 AX 104 | | 0606 | - | .03 | * 120 AX 67 | 0504 | - | | .10 | | 1704 | - | | .02 |
| * 83 AX 107 | | 0303 | Use 83 AX | 27 | * 121 AX 10 | 0505 | - | | .10 Ft. | * 160 AX 52 | 0505 | HC | | .40 |
| * 83 AX 112 | | 0606 | - | .03 | * 123 AX 9 | 1805 | - | | .01 | * 160 AX 103 | 0505 | HC | | .30 |

— Price furnished on application.

* — Indicates part is also used on commercial Vehicles.

NUMERICAL INDEX AND PRICE SECTION

| Code | Part No. | Gov't Group | Disc. Code | List Price | Code | Part No. | Gov't Group | Disc. Code | List Price | Code | Part No. | Gov't Group | Disc. Code | List Price |
|------|----------|-------------|----------------|------------|------|----------|-------------|-----------------|------------|------|-----------|-------------|---------------|------------|
| * 11 | CT 222 | 1103 | - | .20 | * 10 | ERW 3 | 1205 | BL | .05 | * 15 | EH 11 | 1704 | - | .35 |
| * 1 | CU 11 | 0103 | PP | .85 | * 10 | ERW 4 | 1205 | BL | .05 | * 15 | EH 12 | 1704 | - | .35 |
| * 1 | CU 12 | 0104 | PP | .85 | * 10 | ERW 5 | 1205 | BL | .45 | * 15 | EH 13 | 1704 | - | .25 |
| * 1 | CU 13 | 0103 | PP | .85 | * 10 | ERW 6 | 1205 | BL | .05 | * 15 | EH 14 | 1704 | - | .25 |
| * 2 | CU 11 | 0302 | - | .25 | * 10 | ERW 7 | 1205 | BL | .05 | * 15 | EH 23A | 1506 | - | .60 |
| * 2 | CU 34A | 0302 | PA | 9.10 | * 10 | ERW 9 | 1205 | BL | .05 | * 15 | EH 24A | 1800 | - | .60 |
| 10 | CW 27 | 1403 | - | .05 | * 10 | ERW 11 | 1205 | BL | .05 | * 15 | EH 28 | 1800 | - | .60 |
| 10 | CW 132 | 1403 | - | .60 | * 10 | ERW 12 | 1205 | BL | .80 | * 15 | EH 29 | 1800 | - | .50 |
| * 10 | CW 135 | 1403 | - | .05 | * 10 | ERW 14 | 1205 | BL | .30 | * 15 | EH 38 | 1800 | - | .85 |
| * 10 | CW 137 | 1403 | G | .02 | * 10 | ERW 15 | 1205 | BL | .30 | 15 | EH 43 | 1702 | Use 15 EH 43A | 2.35 |
| * 10 | CW 139 | 1403 | - | .05 | * 10 | ERW 16 | 1205 | BL | .35 | * 15 | EH 43A | 1702 | - | 2.35 |
| * 10 | CW 140A | 1403 | BC | .20 | * 10 | ERW 17 | 1205 | BL | .05 | * 15 | EH 49A | 1800 | - | # |
| * 10 | CW 141 | 1403 | - | .05 | * 10 | ERW 18 | 1205 | BL | .10 | * 15 | EH 58 | 1805 | - | 9.50 |
| * 10 | CW 142 | 1403 | - | .05 | * 11 | EH 113 | 1602 | - | .50 | * 15 | EH 59 | 1805 | - | 9.50 |
| * 10 | CW 143 | 1403 | - | .05 | * 11 | EH 114 | 1301 | - | .20 | * 15 | EH 113 | 1800 | - | .20 |
| * 10 | CW 155 | 1403 | - | .05 | * 11 | EH 132A | 1602 | - | .95 | * 15 | EH 118 | 1800 | - | .10 |
| * 10 | CW 158 | 1403 | - | .05 | * 11 | EH 135A | 1103 | - | 9.75 | 15 | EH 121 | 1704 | Use 7 QM 13 | .10 |
| * 10 | CW 159 | 1403 | - | .05 | * 11 | EHA 137 | 1104 | - | 4.65 | * 15 | EH 129 | 1802 | - | .10 |
| * 10 | CW 162 | 1403 | Use 10 CW 132 | | * 11 | EHA 141B | 1104 | - | 36.50 | * 15 | EH 138 | 1704 | - | .15 |
| * 10 | CW 164 | 1403 | Use 10 CW 164A | | * 11 | EHA 142B | 1104 | - | 36.50 | * 15 | EH 139 | 1704 | - | .15 |
| * 10 | CW 164A | 1403 | - | 3.00 | * 11 | EH 145 | 1104 | - | .75 | * 15 | EH 140 | 1704 | - | .20 |
| * 11 | CW 110 | 1104 | - | .65 | * 11 | EH 146 | 1104 | - | .50 | * 15 | EH 141 | 1704 | - | .20 |
| * 11 | CW 111 | 1104 | - | .25 | * 11 | EH 147 | 1104 | - | .20 | * 15 | EH 142 | 1800 | - | .15 |
| * 11 | CW 112A | 1104 | BC | .15 | * 11 | EH 148 | 1104 | BC | .15 | * 15 | EH 143 | 1800 | - | .15 |
| * 11 | CWA 113A | 1104 | - | 4.75 | * 11 | EH 149 | 1104 | - | 1.25 | * 15 | EH 162 | 1801 | - | .75 |
| * 2 | EB 202 | 0304 | - | 1.25 | * 11 | EH 150 | 1104 | - | 1.85 | * 15 | EH 170 | 1805 | - | .20 |
| * 2 | EB 214 | 0304 | - | .50 | * 11 | EH 151 | 1104 | - | .10 | * 15 | EH 171 | 1805 | - | .30 |
| * 2 | EB 308 | 0304 | Use 5 MB 309 | | * 11 | EH 152 | 1104 | - | .10 | * 15 | EH 172 | 1805 | - | 1.75 |
| * 5 | EB 316 | 0602 | ED | 22.50 | * 11 | EH 153 | 1104 | - | .10 | * 15 | EH 173 | 1805 | - | 1.00 |
| * 10 | EB 122 | 1403 | - | .50 | * 11 | EH 154 | 1104 | - | .10 | * 15 | EH 174 | 1805 | - | .65 |
| * 1 | EH 111 | 0101 | - | 2.25 | * 11 | EH 155 | 1103 | BC | .35 | * 15 | EH 175 | 1805 | - | .60 |
| * 2 | EH 16 | 0304 | - | .15 | * 11 | EH 231 | 1104 | - | 20.00 | * 15 | EH 176 | 1804 | - | .05 |
| * 2 | EH 34 | 0304 | - | 2.25 | * 11 | EHA 318A | 1103 | - | 87.25 | * 15 | EH 177 | 1803 | - | .15 |
| * 2 | EH 41A | 0304 | - | 17.25 | * 11 | EH 320 | 1104 | - | 8.00 | * 15 | EH 178 | 1805 | - | .75 |
| * 2 | EH 138 | 0304 | - | .15 | * 11 | EH 321 | 1104 | - | 32.50 | * 15 | EH 184A | 1704 | - | .15 |
| * 3 | EH 11A | 0401 | - | .35 | * 11 | EH 322 | 1103 | - | 18.25 | * 15 | EH 185 | 1704 | - | .05 |
| * 3 | EH 12A | 0401 | - | .35 | * 11 | EH 329 | 1104 | Use 11 EHA 141 | | * 15 | EH 211 | 1800 | - | .25 |
| * 3 | EH 14 | 0402 | - | .75 | * 11 | EH 330B | 1104 | Use 11 EHA 141B | | * 15 | EHA 216 | 1800 | - | .85 |
| * 4 | EH 52 | 0501 | - | 10.50 | 11 | EH 331 | 1104 | Use 11 EHA 142 | | * 15 | EH 228 | 1802 | - | .40 |
| * 4 | EH 53 | 0501 | - | 7.25 | 11 | EH 332B | 1104 | Use 11 EHA 142B | | * 15 | EH 236A | 1504 | - | 1.00 |
| * 4 | EH 114 | 0504 | - | .05 | * 11 | EHW 14 | 1207 | BL | 3.25 | * 15 | EH 237A | 1504 | - | 1.00 |
| * 4 | EH 218A | 0501 | - | .85 | * 11 | EHW 15 | 1207 | BL | .25 | * 15 | EH 238 | 1701 | - | 2.50 |
| * 4 | EH 512 | 0501 | - | 14.50 | * 11 | EHW 16 | 1207 | BL | .70 | * 15 | EH 247 | 1809 | - | 3.50 |
| 4 | EH 513 | 0501 | Use 4 EH 52 | | * 11 | EHW 17 | 1207 | BL | .45 | * 15 | EH 252 | 2101 | - | .35 |
| 5 | EH 18 | 0608 | Use 5 EH 18A | | * 11 | EHW 18 | 1207 | BL | .55 | * 15 | EH 253 | 2101 | - | .35 |
| * 5 | EH 18A | 0608 | - | .12 | * 11 | EHW 19 | 1207 | BL | .30 | * 15 | EH 313-5 | 0605 | SW | .50 |
| * 5 | EH 24A | 0604 | ED | 3.00 | * 11 | EHW 20 | 1207 | BL | .20 | * 15 | EH 313-6 | 0605 | SW | .10 |
| * 5 | EH 25 | 0608 | Use 15 MO 14 | | * 11 | EHW 21 | 1207 | BL | .25 | * 15 | EH 313-7 | 0605 | SW | .02 |
| * 5 | EH 32 | 0607 | - | 1.65 | * 12 | ERW 22 | 1207 | BL | .65 | * 15 | EH 313-8 | 0605 | SW | .01 |
| * 5 | EH 33 | 0607 | - | 1.65 | * 12 | ERW 3 | 1208 | BL | 9.45 | * 15 | EH 313-9 | 0605 | SW | .005 |
| * 5 | EH 110 | 0608 | LB | .19 | * 12 | ERW 5 | 1202 | BL | 6.30 | * 15 | EH 313-10 | 0605 | SW | .25 |
| * 5 | EH 127 | 0602 | ED | .90 | * 12 | ERW 6 | 1202 | BL | 6.30 | * 15 | EH 313-11 | 0605 | SW | .40 |
| * 5 | EH 132-4 | 0609 | SR | .02 | * 12 | ERW 12 | 1203 | BL | .10 | * 15 | EH 313-12 | 0605 | SW | .01 |
| * 5 | EH 132-5 | 0609 | SR | .05 | * 12 | ERW 13 | 1203 | BL | .65 | * 15 | EH 313-14 | 0605 | SW | .01 |
| * 5 | EH 132-6 | 0609 | SR | .02 | * 12 | ERW 14 | 1203 | BL | .20 | * 15 | EH 313-15 | 0605 | SW | .01 |
| 5 | EH 132-7 | 0609 | Use 93 MR 11 | | * 12 | ERW 15 | 1203 | BL | .20 | * 15 | EH 313-16 | 0605 | SW | .04 |
| * 5 | EH 133 | 0609 | - | 1.50 | * 12 | ERW 16 | 1207 | BL | .65 | * 15 | EH 313-18 | 0605 | SW | .05 |
| * 5 | EH 139 | 0605 | SW | .50 | 12 | ERW 17 | 1203 | Use 441 SZ 119 | | * 15 | EH 313-19 | 0605 | SW | .02 |
| * 5 | EH 140 | 0606 | - | .05 | * 12 | ERW 18 | 1203 | Use 341 SM 16 | | * 15 | EH 313-20 | 0605 | SW | .02 |
| 5 | EH 160 | 0607 | - | .03 | * 12 | ERW 19 | 1203 | BL | .03 | * 15 | EH 313-21 | 0605 | SW | .01 |
| * 5 | EH 211 | 0607 | - | .20 | 12 | ERW 20 | 1203 | Use 37 AX 284 | | 15 | EH 313-22 | 0605 | SW | .01 |
| * 5 | EH 243A | 0601 | - | .85 | * 12 | ERW 22 | 1203 | Use 364 SM 30 | | * 15 | EH 313-24 | 0502 | SW | .50 |
| * 7 | EHB 2 | 0202 | CB | 4.50 | * 12 | ERW 23 | 1203 | Use 37 AX 62 | | * 15 | EH 313-26 | 0107 | - | .05 |
| * 7 | EHB 3 | 0202 | CB | .17 | * 12 | ERW 25 | 1207 | BL | 2.40 | 15 | EH 313-27 | 0605 | SW | .02 |
| * 7 | EHB 4 | 0202 | CB | .11 | * 12 | ERW 26 | 1207 | BL | .10 | * 15 | EH 336 | 1805 | - | 2.50 |
| * 7 | EHB 5 | 0202 | CB | .10 | * 12 | ERW 27 | 1202 | BL | 4.55 | * 15 | EH 337 | 1805 | - | 2.50 |
| * 7 | EHB 6 | 0202 | CB | .70 | * 12 | ERW 28 | 1203 | BL | .10 | * 15 | EH 362 | 1504 | - | 1.50 |
| * 7 | EHB 7 | 0202 | CB | .10 | * 12 | ERW 29 | 1207 | BL | .30 | * 15 | EH 363 | 1504 | - | 1.50 |
| * 7 | EHB 8 | 0202 | Use 201 SZ 26 | | * 13 | EH 11 | 1602 | - | .60 | * 15 | EH 395 | 1703 | - | 4.50 |
| * 7 | EHB 9 | 0202 | CB | 3.00 | * 13 | EH 21 | 1602 | - | .65 | * 15 | EH 396 | 1703 | - | 4.50 |
| * 7 | EHB 10 | 0202 | CB | 8.00 | * 13 | EH 22 | 1602 | - | 2.50 | * 15 | EH 443 | 1704 | - | 1.75 |
| * 7 | EHB 11 | 0202 | CB | 8.00 | * 13 | EH 225 | 1602 | - | .65 | * 15 | EH 444 | 1704 | - | 1.75 |
| * 7 | EHB 13 | 0202 | CB | 4.50 | * 13 | EHA 302 | 1602 | - | 1.25 | * 15 | EH 452 | 1701 | - | 1.75 |
| * 7 | EHB 14 | 0202 | CB | 9.00 | * 13 | EHA 3012 | 1602 | - | 1.25 | * 15 | EH 453 | 1701 | - | 1.75 |
| * 7 | EHB 17 | 0202 | CB | 12.00 | * 13 | EHA 3018 | 1602 | - | .50 | * 15 | EH 510A | 1800 | - | 40.00 |
| * 7 | EHB 18 | 0202 | CB | .15 | * 14 | EHA 3018 | 1602 | - | .50 | * 15 | EH 534 | 1704 | Use 1 QM 31 | 14.75 |
| 8 | EH 12 | 0705 | SW | .10 | * 14 | EHA 47 | 1601 | - | .10 | * 15 | EH 536 | 1701 | - | 14.75 |
| * 10 | EH 136 | 1209 | - | .20 | * 14 | EH 11 | 0110 | - | .10 | * 15 | EH 537 | 1701 | - | 14.75 |
| * 10 | EH 139 | 0204 | - | 1.25 | * 14 | EH 22 | 1503 | - | 1.50 | * 15 | EH 1119 | 1704 | - | .06 |
| * 10 | EH 140 | 0204 | - | .15 | * 14 | EH 24 | 0110 | - | 1.50 | * 15 | EH 1187 | 1805 | - | .05 |
| 10 | EH 218 | 1403 | - | 4.75 | * 14 | EH 31A | 0110 | - | 3.75 | * 15 | EH 1190 | 1704 | - | .20 |
| * 10 | EH 329-1 | 1401 | - | 4.25 | * 14 | EH 38 | 1506 | - | 4.00 | * 15 | EH 1199 | 1703 | - | .20 |
| * 10 | EH 411A | 0204 | - | 5.75 | * 14 | EH 39 | 1506 | - | 5.25 | * 15 | EH 2123 | 1801 | - | 1.35 |
| * 10 | EH 1128 | 0303 | - | .10 | * 14 | EH 49 | 0110 | - | 18.00 | * 15 | EH 2125 | 1703 | - | .20 |
| * 10 | ERW 1 | 1205 | BL | .25 | * 14 | EH 224A | 1405 | - | 8.25 | * 15 | EH 2126 | 1703 | - | 1.60 |
| * 10 | ERW 2 | 1205 | BL | .45 | * 14 | EH 310 | 1506 | Use 14 BM 382 | | * 15 | EH 2130 | 1701 | - | 2.20 |
| | | | | | * 14 | EH 311 | 1504 | - | 5.25 | * 15 | EH 3101 | 1704 | - | 1.35 |
| | | | | | | | | | | * 15 | EH 3102 | 1704 | - | 1.35 |
| | | | | | | | | | | * 15 | EH 3103 | 1704 | - | .70 |

- Price furnished on application.
 * - Indicates part is also used on commercial Vehicles.

NUMERICAL INDEX AND PRICE SECTION

| Code | Part No. | Gov't Group | Disc. Code | List Price | Code | Part No. | Gov't Group | Disc. Code | List Price | Code | Part No. | Gov't Group | Disc. Code | List Price |
|------|--------------|-------------|------------|------------|---------------|--------------|-------------|------------|------------|------------|--------------|-------------|------------|------------|
| * | 15 EH 3104 | 1704 | - | .70 | * | 64 GB 2359A | 0102 | BM | 1.05 | * | 582 GB 12 | 0107 | G | .05 |
| * | 16 EH 121 | 2306 | - | 3.00 | * | 64 GB 2360A | 0102 | BM | 1.05 | * | 589 GB 16 | 0107 | G | .03 |
| * | 16 EH 121-1 | 2306 | - | .50 | * | 64 GB 2361A | 0102 | BM | 1.05 | * | 606 GB 11 | 0503 | G | .05 |
| * | 16 EH 121-2 | 2306 | Use 441 SX | 32 | * | 64 GB 2362A | 0102 | BM | 1.25 | * | 610 GB 12 | 0503 | G | .05 |
| * | 16 EH 121-3 | 2306 | - | .10 | * | 64 GB 2363A | 0102 | BM | 1.25 | * | 673 GB 221 | 0109 | - | 4.50 |
| * | 16 EH 121-4 | 2306 | - | .25 | * | 64 GB 2364A | 0102 | BM | 1.25 | * | 688 GBA 13 | 0106 | - | 21.50 |
| * | 16 EH 121-5 | 2306 | - | .35 | * | 64 GB 2366A | 0102 | BM | 1.25 | * | 688 GBA 14 | 0106 | - | 33.50 |
| * | 16 EH 121-6 | 2306 | - | .50 | * | 64 GB 2368A | 0102 | BM | 1.30 | * | 708 GB 215 | 0305 | GH | 10.85 |
| * | 16 EH 121-7 | 2306 | - | .60 | * | 64 GB 2369A | 0102 | BM | 1.30 | * | 708 GB 425B | 0305 | GP | 30.00 |
| * | 16 EH 121-8 | 2306 | Use 16 AC | 13534 | * | 64 GB 2370A | 0102 | BM | 1.30 | * | 714 GB 146 | 0105 | - | .60 |
| * | 16 EH 121-9 | 2306 | - | .15 | * | 64 GB 2371A | 0102 | BM | 1.50 | * | 719 GB 11 | 0503 | - | .05 |
| * | 16 EH 121-10 | 2306 | - | .30 | * | 64 GB 2372A | 0102 | BM | 1.50 | * | 732 GBA 161 | 0101 | - | 30.00 |
| * | 16 EH 121-11 | 2306 | - | .75 | * | 64 GB 2373A | 0102 | BM | 1.50 | * | 732 GBA 170 | 0101 | - | 30.00 |
| * | 16 EH 122 | 2306 | LE | 1.35 | * | 64 GB 2375A | 0102 | BM | 1.50 | * | 759 GBA 11B | 0102 | - | 7.75 |
| | 2 EJ 301 | 0304 | Use 5 MB | 339 | * | 64 GB 2377A | 0102 | BM | 1.30 | * | 771 GB 46A | 0503 | - | 8.15 |
| | 5 EJ 118 | 0604 | Use 5 EJ | 118-P1 | * | 64 GB 2378A | 0102 | BM | 1.30 | * | 786 GB 11 | 0503 | - | 2.00 |
| * | 5 EJ 118-P1 | 0604 | Use 5 EJ | 118-P2 | * | 64 GB 2379A | 0102 | BM | 1.30 | * | 795 GB 226 | 0107 | - | 1.15 |
| * | 5 EJ 118-P2 | 0604 | ED | 1.00 | * | 64 GB 2380A | 0102 | BM | 1.50 | * | 795 GB 227 | 0107 | - | 1.15 |
| * | 5 EJ 120 | 0604 | Use 5 EJ | 120-P2 | * | 64 GB 2381A | 0102 | BM | 1.50 | * | 796 GB 19 | 0106 | - | .10 |
| * | 5 EJ 120-P2 | 0604 | - | .65 | * | 64 GB 2382A | 0102 | BM | 1.50 | | | | | |
| * | 8 EJ 115 | 0705 | SW | .25 | * | 64 GB 2384A | 0102 | BM | 1.50 | * | 13 GC 210 | 0101 | - | 2.00 |
| * | 9 EJ 12 | 0901 | - | .50 | * | 64 GB 2386A | 0102 | BM | 1.30 | * | 13 GC 211 | 0101 | - | 2.00 |
| * | 10 EJ 139 | 0605 | - | 2.25 | * | 64 GB 2387A | 0102 | BM | 1.30 | * | 13 GC 212 | 0101 | - | 2.00 |
| * | 10 EJ 27 | 0609 | SR | .30 | * | 64 GB 2388A | 0102 | BM | 1.30 | * | 13 GC 213 | 0101 | - | 2.00 |
| * | 10 EJ 28 | 0609 | SR | .01 | * | 64 GB 2389A | 0102 | BM | 1.50 | * | 105 GCA 14A | 0108 | - | 16.00 |
| * | 10 EJ 29 | 0609 | SR | .05 | * | 64 GB 2390A | 0102 | BM | 1.50 | * | 105 GCA 15A | 0108 | - | 16.00 |
| * | 10 EJ 30 | 0609 | SR | .43 | * | 64 GB 2391A | 0102 | BM | 1.50 | * | 167 GC 14 | 0102 | - | .15 |
| * | 10 EJ 31 | 0609 | SR | .005 | * | 64 GB 2393A | 0102 | BM | 1.50 | * | 201 GC 12 | 0107 | Use 326 AX | 41 |
| * | 13 EJM 26 | 1601 | - | .60 | * | 64 GB 2395A | 0102 | BM | 1.30 | * | 219 GC 19 | 0505 | - | .15 |
| * | 13 EJM 51 | 1601 | S | .55 | * | 64 GB 2396A | 0102 | BM | 1.30 | * | 240 GC 1261 | 0103 | - | 5.50 |
| * | 15 EJ 125 | 1800 | - | .60 | * | 64 GB 2397A | 0102 | BM | 1.30 | * | 240 GC 1262 | 0103 | - | 5.50 |
| * | 15 EJ 134 | 1701 | - | .20 | * | 64 GB 2398A | 0102 | BM | 1.50 | * | 240 GC 1263 | 0103 | - | 5.50 |
| * | 15 EJ 147 | 1805 | Use 15 EH | 172 | * | 64 GB 2399A | 0102 | BM | 1.50 | * | 240 GC 1264 | 0103 | - | 5.50 |
| * | 15 EJ 323 | 1405 | - | 1.25 | * | 64 GB 2400A | 0102 | BM | 1.50 | * | 240 GC 1265 | 0103 | - | 5.50 |
| * | 15 EJ 329-1 | 0605 | SW | .05 | * | 64 GB 2402A | 0102 | BM | 1.50 | * | 240 GC 1266 | 0103 | - | 5.10 |
| * | 15 EJ 329-2 | 0605 | SW | .02 | * | 64 GB 2404A | 0102 | BM | 1.60 | * | 240 GC 1267 | 0103 | - | 5.10 |
| * | 15 EJ 329-3 | 0605 | SW | 1.50 | * | 64 GB 2405A | 0102 | BM | 1.60 | * | 240 GC 1268 | 0103 | - | 5.10 |
| * | 15 EJ 329-6 | 0605 | SW | 1.50 | * | 64 GB 2406A | 0102 | BM | 1.60 | * | 240 GC 1269 | 0103 | - | 5.10 |
| * | 15 EJ 329-7 | 0605 | SW | 2.50 | * | 64 GB 2407A | 0102 | BM | 1.85 | * | 240 GC 1270 | 0103 | - | 5.10 |
| * | 15 EJ 329-8 | 0107 | - | | * | 64 GB 2408A | 0102 | BM | 1.85 | * | 240 GC 4162A | 0103 | PZ | 4.65 |
| | | | | | * | 64 GB 2409A | 0102 | BM | 1.85 | * | 240 GC 4165A | 0103 | PZ | 4.65 |
| * | 15 EJ 329-9 | 0502 | SW | 2.00 | * | 64 GB 2411A | 0102 | BM | 2.50 | * | 240 GC 4166A | 0103 | PZ | 4.65 |
| | | | | | * | 64 GB 2413A | 0102 | BM | 1.60 | * | 240 GC 4167A | 0103 | PZ | 4.65 |
| * | 15 EJ 330 | 2203 | SW | 10.50 | * | 64 GB 2414A | 0102 | BM | 1.60 | * | 240 GC 4169A | 0103 | PZ | 4.65 |
| * | 15 EJ 423 | 1800 | - | .65 | * | 64 GB 2415A | 0102 | BM | 1.60 | * | 240 GC 4206 | 0103 | PZ | 4.25 |
| | | | | | * | 64 GB 2416A | 0102 | BM | 1.85 | * | 240 GC 4209 | 0103 | PZ | 4.25 |
| * | 1 EMA 21 | 2306 | - | 1.50 | * | 64 GB 2417A | 0102 | BM | 1.85 | * | 240 GC 4210 | 0103 | PZ | 4.25 |
| * | 4 EM 16 | 0504 | - | .35 | * | 64 GB 2418A | 0102 | BM | 1.85 | * | 240 GC 4211 | 0103 | PZ | 4.25 |
| * | 4 EM 22A | 0505 | - | 2.00 | * | 64 GB 2420A | 0102 | BM | 2.50 | * | 240 GC 4213 | 0103 | PZ | 4.25 |
| * | 4 EM 42 | 0501 | - | 1.50 | 88 GBC 330-P2 | 0601 | Use 88 GB | 330-P26 | | * | 262 GC 13 | 0101 | - | .20 |
| * | 4 EM 123 | 0504 | - | .65 | 88 GB 330-P26 | 0601 | B | 1.50 | * | 276 GC 11 | 1213 | - | .15 | |
| * | 9 EM 112 | 0901 | - | .75 | 88 GB 330-P32 | 0503 | B | 1.75 | * | 316 GCA 22 | 0503 | FW | 21.00 | |
| * | 9 EM 113 | 0901 | - | .60 | * | 132 GB 21A | 0603 | - | 1.50 | * | 316 GCA 38A | 0503 | FW | 33.50 |
| * | 10 EMA 16 | 0204 | - | 6.00 | * | 174 GB 11 | 0303 | - | .25 | * | 320 GC 11 | 0301 | CS | 1.35 |
| * | 12 EM 12 | 1203 | - | .05 | 174 GB 12 | 0303 | - | # | | * | 320 GC 13 | 0301 | Use 320 GC | 13A |
| * | 12 EM 18 | 1202 | - | .35 | * | 221 GB 15 | 0107 | - | .75 | * | 320 GC 13A | 0301 | CS | 1.35 |
| * | 13 EMS 12 | 1601 | S | .60 | * | 223 GB 153 | 0102 | - | 3.00 | * | 349 GC 1124 | 0103 | FR | .16 |
| * | 14 EM 32 | 1506 | - | 5.25 | * | 223 GB 154 | 0102 | - | 2.75 | * | 349 GC 1127 | 0103 | FR | .16 |
| * | 14 EM 33 | 1506 | Use 14 EM | 35 | * | 223 GB 155 | 0102 | - | 3.00 | * | 349 GC 1128 | 0103 | FR | .16 |
| * | 14 EM 34 | 1506 | - | 4.25 | * | 223 GB 156 | 0102 | - | 3.50 | * | 349 GC 1129 | 0103 | FR | .16 |
| * | 14 EM 35 | 1506 | - | 5.25 | * | 234 GB 345 | 0301 | CS | 24.00 | * | 349 GC 1131 | 0103 | FR | .16 |
| * | 15 EMA 23 | 1803 | - | 1.50 | * | 234 GB 347 | 0301 | CS | 18.00 | * | 349 GC 1156 | 0103 | FR | .16 |
| * | 15 EM 24 | 1504 | - | 1.25 | * | 236 GB 29 | 0107 | FW | 1.15 | * | 349 GC 1159 | 0103 | FR | .16 |
| * | 15 EM 29A | 1704 | - | 2.65 | * | 239 GBA 152A | 0101 | - | 265.00 | * | 349 GC 1160 | 0103 | FR | .16 |
| * | 15 EM 45 | 1802 | - | 3.75 | * | 239 GBA 153A | 0101 | - | 250.00 | * | 349 GC 1161 | 0103 | FR | .16 |
| * | 15 EM 51A | 1704 | - | 24.75 | * | 240 GB 512 | 0107 | - | 18.50 | * | 349 GC 1163 | 0103 | FR | .16 |
| | | | | | * | 279 GB 21 | 1213 | BW | 3.15 | * | 349 GC 1197 | 0103 | FR | .16 |
| * | 1 FAP 301B | 2306 | - | 3.00 | 303 GB 414 | 1213 | Use 303 GB | 414A | | * | 349 GC 1490 | 0103 | FR | .16 |
| | | | | | * | 303 GB 414A | 1213 | BW | 146.25 | * | 349 GC 1493 | 0103 | FR | .16 |
| * | 11 GBA 1279 | 0100 | - | # | * | 320 GB 11 | 1213 | - | 4.50 | * | 349 GC 1494 | 0103 | FR | .16 |
| * | 11 GBA 1282 | 0100 | - | # | * | 333 GBA 415 | 0101 | - | 18.00 | * | 349 GC 1495 | 0103 | FR | .16 |
| * | 22 GB 22A | 1213 | - | 3.75 | * | 360 GB 41B | 0503 | - | 9.25 | * | 349 GC 1497 | 0103 | FR | .16 |
| * | 59 GB 124A | 0106 | BC | 1.00 | * | 423 GB 316 | 0603 | ED | 10.50 | * | 349 GC 1685 | 0103 | FR | .16 |
| * | 59 GB 125A | 0106 | BC | .75 | * | 439 GB 36A | 0505 | - | 4.50 | * | 349 GC 1688 | 0103 | FR | .16 |
| * | 59 GB 126A | 0106 | BC | .75 | * | 477 GB 36A | 0107 | - | # | * | 349 GC 1689 | 0103 | FR | .16 |
| * | 59 GB 137A | 0106 | BC | 1.50 | * | 477 GB 314A | 0107 | - | 4.75 | * | 349 GC 1690 | 0103 | FR | .16 |
| * | 62 GB 227A | 0104 | BM | .95 | * | 485 GB 445 | 0107 | FW | 15.00 | * | 349 GC 1692 | 0103 | FR | .16 |
| * | 62 GB 228A | 0104 | BM | .95 | * | 530 GB 115A | 0109 | - | 35.00 | * | 350 GC 1176 | 0103 | PR | .38 |
| * | 62 GB 229 | 0104 | Use 62 GB | 229A | * | 530 GBA 168A | 0109 | - | 35.00 | * | 350 GC 1179 | 0103 | PR | .38 |
| * | 62 GB 229A | 0104 | BM | .95 | * | 538 GB 11 | 0106 | G | .05 | * | 350 GC 1181 | 0103 | PR | .38 |
| * | 62 GB 230A | 0104 | BM | .95 | * | 539 GB 13 | 0301 | - | | * | 350 GC 1183 | 0103 | PR | .38 |
| * | 62 GB 231A | 0104 | BM | .95 | * | 539 GB 15 | 0305 | G | .05 | * | 350 GC 1294 | 0103 | PR | .38 |
| * | 62 GB 232A | 0104 | BM | .95 | * | 541 GB 13 | 0301 | G | .10 | * | 350 GC 1298 | 0103 | PR | .38 |
| * | 62 GB 234A | 0104 | BM | .95 | | | | | | * | 350 GC 1299 | 0103 | PR | .38 |
| * | 64 GB 2350A | 0102 | BM | 1.05 | | | | | | * | 350 GC 1301 | 0103 | PR | .38 |
| * | 64 GB 2351A | 0102 | BM | 1.05 | | | | | | * | 353 GC 19 | 0103 | PR | 6.70 |
| * | 64 GB 2352A | 0102 | BM | 1.05 | 544 GB 11 | 1213 | G | .10 | * | 353 GC 112 | 0103 | PR | 6.70 | |
| * | 64 GB 2353A | 0102 | BM | 1.25 | * | 553 GB 382 | 0101 | G | 1.75 | * | 353 GC 113 | 0103 | PR | 6.70 |
| * | 64 GB 2354A | 0102 | BM | 1.25 | * | 553 GB 388 | 0101 | G | 1.75 | * | 353 GC 114 | 0103 | PR | 6.70 |
| * | 64 GB 2355A | 0102 | BM | 1.25 | * | 555 GB 14 | 0505 | G | .05 | * | 353 GC 116 | 0103 | PR | 6.70 |
| * | 64 GB 2357A | 0102 | BM | 1.25 | * | 568 GB 11 | 0302 | G | .03 | * | 353 GC 198 | 0103 | PR | 8.05 |
| | | | | | * | 573 GB 15 | 0108 | G | .05 | * | 353 GC 199 | 0103 | PR | 8.05 |

— Price furnished on application.
 * — Indicates part is also used on commercial Vehicles.

NUMERICAL INDEX AND PRICE SECTION

| Code | Part No. | Gov't Group | Disc. Code | List Price | Code | Part No. | Gov't Group | Disc. Code | List Price | Code | Part No. | Gov't Group | Disc. Code | List Price | |
|-------|--------------|-------------|------------------|------------|-------|----------|-------------|----------------|------------|-------|-------------|-------------|-----------------|------------|-------|
| * 353 | GC 1100 | 0103 | PR | 8.05 | * 552 | KB 239 | 0901 | - | 4.00 | * 237 | KD 12 | 0706 | - | .10 | |
| * 353 | GC 1101 | 0103 | PR | 8.05 | * 552 | KB 247 | 0901 | - | 9.00 | * 239 | KD 13 | 0704 | - | 1.00 | |
| * 353 | GC 1102 | 0103 | PR | 8.05 | * 571 | KB 23 | 0706 | - | 3.75 | * 291 | KD 159 | 0705 | SW | 2.50 | |
| * 354 | GC 11 | 0503 | - | .05 | * 571 | KB 24 | 0706 | - | 3.75 | * 291 | KD 161 | 0705 | - | 2.50 | |
| * 357 | GC 1116 | 0103 | PR | 9.78 | * 575 | KB 21 | 0706 | - | 3.75 | * 291 | KD 162 | 0705 | SW | 2.50 | |
| * 357 | GC 1119 | 0103 | PR | 9.78 | * 578 | KB 24 | 0706 | - | 3.10 | * 291 | KD 163 | 0705 | SW | 2.50 | |
| * 357 | GC 1120 | 0103 | PR | 9.78 | * 617 | KB 33 | 0701 | G | .15 | * 301 | KD 22 | 0203 | - | 3.25 | |
| * 357 | GC 1121 | 0103 | PR | 9.78 | * 627 | KB 11 | 0701 | G | .05 | * 12 | KFA 15A | 1403 | - | 27.50 | |
| * 357 | GC 1123 | 0103 | PR | 9.78 | * 633 | KB 11 | 0701 | G | .05 | * 14 | KFA 35 | 1403 | - | 22.50 | |
| * 357 | GC 1177 | 0103 | PR | 9.78 | * 640 | KB 21 | 0701 | G | .15 | * 15 | KF 32 | 1403 | - | 1.75 | |
| * 357 | GC 1179 | 0103 | PR | 9.78 | * 645 | KB 22 | 0701 | G | .05 | * 18 | KFAC 251-P1 | 1403 | - | 5.75 | |
| * 357 | GC 1180 | 0103 | PR | 9.78 | * 736 | KB 21A | 0704 | - | 12.00 | * 18 | KFAC 251-P5 | 1403 | - | 5.75 | |
| * 357 | GC 1181 | 0103 | PR | 9.78 | * 736 | KB 22A | 0704 | - | 15.25 | * 20 | KF 11 | 1403 | - | .15 | |
| * 357 | GC 1183 | 0103 | PR | 9.78 | * 738 | KB 21A | 0704 | - | 12.00 | * 33 | KFA 15 | 1403 | - | .75 | |
| * 367 | GCA 218A | 0104 | - | 12.00 | * 738 | KB 22A | 0704 | - | 13.25 | * 35 | KFAC 27-P1 | 1403 | - | 5.25 | |
| * 370 | GCA 213 | 0305 | GP | 2.10 | * 741 | KBA 121 | 0704 | - | 17.50 | * 35 | KFAC 27-P5 | 1304 | - | 5.50 | |
| * 379 | GC 22A | 0503 | - | 2.85 | * 752 | KB 26 | 0704 | - | 24.25 | * 36 | KF 12 | 1403 | BC | .25 | |
| * 396 | GC 16B | 0104 | - | .50 | * 757 | KB 22 | 0704 | - | 9.50 | * 48 | KF 12 | 1403 | - | .20 | |
| * 409 | GC 111A | 0102 | - | .60 | * 757 | KB 23 | 0704 | - | 9.50 | * 49 | KF 12 | 1403 | - | .20 | |
| * 447 | GC 11 | 0503 | - | .15 | * 763 | KB 21 | 0704 | - | 14.25 | * 53 | KF 12 | 1403 | - | .03 | |
| * 447 | GCA 13 | 0503 | Use 447 GCA 18 | | * 763 | KB 22 | 0704 | - | 15.50 | * 11 | KHA 188 | 1103 | - | # | |
| * 447 | GCA 18 | 0503 | - | .60 | * 764 | KB 331A | 0704 | - | 36.25 | * 11 | KHA 1131 | 1103 | - | 245.00 | |
| * 456 | GCA 38 | 0102 | - | 120.00 | * 773 | KB 122 | 0705 | SW | 1.75 | * 11 | KHA 1132 | 1103 | - | 245.00 | |
| * 457 | GCA 111 | 0603 | - | 2.35 | * 773 | KB 123 | 0705 | SW | 1.75 | * 11 | KHA 1136 | 1103 | - | 285.00 | |
| * 469 | GC 115A | 0503 | - | 2.75 | * 773 | KB 124 | 0705 | SW | 1.75 | * 11 | KHA 1137 | 1103 | - | 285.00 | |
| * 499 | GC 11 | 0304 | - | .40 | * 773 | KB 125 | 0705 | SW | 1.75 | * 24 | KHA 122 | 1104 | - | # | |
| * 517 | GC 13 | 0102 | - | .15 | * 773 | KB 126 | 0705 | SW | 1.75 | * 24 | KHA 122A | 1104 | - | 54.00 | |
| * 518 | GC 11 | 0503 | - | .10 | * 151 | KC 12 | 0704 | - | .10 | * 24 | KHA 123 | 1104 | Use 24 KHA 123A | | 60.00 |
| * 544 | GC 12 | 0503 | - | .20 | * 151 | KC 13 | 0704 | - | .10 | * 24 | KHA 123A | 1104 | - | 60.00 | |
| * 578 | GC 11 | 0503 | Use 578 GC 13 | | * 166 | KC 34 | 0706 | - | 8.75 | * 30 | KHA 35 | 1103 | Use 30 KHA 330 | | 59.00 |
| * 578 | GC 13 | 0503 | - | # | * 168 | KC 38 | 0706 | - | 8.75 | * 30 | KHA 37 | 1103 | - | 36.50 | |
| * 588 | GC 13 | 0305 | GP | 1.20 | * 168 | KC 317 | 0706 | - | 8.75 | * 32 | KH 21B | 1104 | - | 4.50 | |
| * 657 | GC 217 | 0502 | - | # | * 169 | KC 310A | 1201 | - | 4.25 | * 34 | KH 32 | 1104 | - | 6.25 | |
| * 685 | GC 12 | 0603 | Use 685 GC 12A | | * 169 | KCA 318 | 1201 | - | 5.25 | * 36 | KH 12 | 1103 | BC | .35 | |
| * 685 | GC 12A | 0603 | ED | 1.50 | * 207 | KC 12 | 0704 | - | .10 | * 38 | KH 11 | 1104 | - | .35 | |
| * 690 | GC 21 | 0305 | GP | 5.00 | * 273 | KC 13 | 0704 | - | 1.75 | * 41 | KH 32 | 1103 | - | 2.00 | |
| * 702 | GC 17 | 0107 | - | .30 | * 302 | KC 11 | 0706 | - | .20 | * 43 | KH 22 | 1103 | - | 1.05 | |
| * 714 | GC 111 | 0102 | Use 714 GC 112 | | * 305 | KC 13 | 0706 | - | .10 | * 44 | KH 11 | 1103 | - | .08 | |
| * 714 | GC 112 | 0102 | - | .45 | * 309 | KC 12 | 0701 | - | .05 | * 46 | KH 319 | 1104 | Use 24 KHA 122A | | 123A |
| * 714 | GC 113 | 0102 | Use 714 GC 114 | | * 346 | KC 12 | 2202 | - | .10 | * 46 | KH 320 | 1104 | Use 24 KHA 123A | | 123A |
| * 714 | GC 114 | 0102 | - | .45 | * 350 | KC 12 | 0706 | - | .15 | * 47 | KH 413 | 1104 | Use 24 KHA 122A | | 123A |
| * 714 | GC 117 | 0102 | - | .45 | * 350 | KC 13 | 0706 | - | .15 | * 47 | KH 414 | 1104 | Use 24 KHA 123A | | 123A |
| * 714 | GC 118 | 0102 | - | .45 | * 412 | KC 11 | 0706 | - | .30 | * 49 | KH 24 | 1103 | - | 1.25 | |
| * 729 | GC 11 | 0503 | - | .20 | * 501 | KC 11 | 0704 | - | .25 | * 49 | KH 310 | 1103 | - | 4.25 | |
| * 101 | HBA 362 | 0201 | CB | 18.00 | * 503 | KC 12 | 0704 | - | .20 | * 50 | KH 23 | 1103 | G | .05 | |
| 151 | HB 341 | 0201 | FC | 2.75 | * 506 | KC 13 | 0704 | - | .20 | * 51 | KH 213 | 1103 | - | .20 | |
| * 11 | KBA 5111-P1 | 0700 | - | 245.00 | * 506 | KC 14 | 0704 | - | .25 | * 51 | KH 214 | 1103 | - | .20 | |
| * 11 | KBA 5112-P1 | 0700 | - | # | * 567 | KC 12 | 0706 | - | .10 | * 51 | KH 215 | 1103 | - | .20 | |
| * 11 | KBA 5113-P1 | 0700 | - | 295.00 | * 596 | KC 22A | 0706 | - | 5.90 | * 51 | KH 216 | 1103 | - | .20 | |
| * 11 | KBA 5114-P1 | 0700 | - | 295.00 | * 596 | KC 25A | 0706 | - | 2.75 | * 53 | KH 22 | 1103 | - | 8.50 | |
| * 11 | KBA 5115A-P1 | 0700 | - | 425.00 | * 596 | KC 26A | 0706 | - | 2.75 | * 63 | KH 213 | 0901 | - | 6.50 | |
| 11 | KBA 5116A | 0700 | - | # | * 598 | KC 25 | 0706 | - | 2.75 | * 64 | KHA 23 | 1103 | - | 36.00 | |
| 11 | KBA 5116A-P1 | 0700 | Use 11 KBA 5116A | | * 598 | KC 26 | 0706 | - | 2.75 | * 64 | KHA 32 | 1103 | - | 70.00 | |
| * 19 | KBA 149A | 0703 | - | 31.00 | * 601 | KC 21A | 0704 | - | 16.00 | * 66 | KH 12 | 1104 | - | .65 | |
| * 19 | KBA 150A | 0703 | - | 31.00 | * 602 | KC 25 | 0706 | Use 596 KC 25A | | * 68 | KH 353-P1 | 1102 | - | 18.00 | |
| * 19 | KBA 163 | 0704 | - | 19.50 | * 604 | KC 13 | 0203 | - | .60 | * 68 | KH 353-P2 | 1102 | - | 18.00 | |
| * 19 | KBA 165 | 0703 | - | 29.25 | * 604 | KC 17 | 0203 | - | 1.15 | * 70 | KH 12 | 1104 | - | .05 | |
| * 19 | KBA 166 | 0704 | - | 22.50 | * 605 | KC 21 | 0704 | - | 19.25 | * 72 | KH 13 | 1104 | - | .85 | |
| * 19 | KBA 167 | 0704 | - | 21.75 | * 605 | KC 22 | 0704 | - | 21.00 | * 2 | MB 422 | 0304 | - | 15.00 | |
| * 19 | KBA 168 | 0704 | - | 22.50 | * 611 | KC 11 | 0704 | - | 2.50 | * 2 | MB 4253-P1 | 0304 | - | 20.00 | |
| * 19 | KBA 169 | 0704 | - | 22.50 | * 611 | KC 12 | 0704 | - | 2.50 | * 2 | MB 4253-P2 | 0304 | - | 20.00 | |
| * 19 | KBA 170 | 0703 | - | 29.25 | * 615 | KC 21B | 0704 | - | 19.25 | * 5 | MB 219 | 0304 | - | .30 | |
| * 19 | KBA 172 | 0704 | - | 21.00 | * 615 | KC 22 | 0704 | - | # | * 5 | MB 220 | 0304 | - | .25 | |
| * 19 | KBA 178 | 0704 | - | 20.50 | * 615 | KC 22B | 0704 | - | 18.25 | * 5 | MB 309 | 0304 | - | 2.00 | |
| * 19 | KBA 179 | 0704 | - | 20.50 | * 619 | KC 22 | 0706 | - | 2.75 | * 5 | MB 3064 | 0304 | - | 2.00 | |
| * 90 | KB 12 | 0701 | - | .40 | * 619 | KC 23 | 0706 | - | 2.75 | * 7 | MB 3020 | 0304 | - | 1.00 | |
| * 150 | KB 13 | 0704 | BC | 1.10 | * 701 | KC 24 | 0706 | - | 1.95 | * 16 | MB 37-P30 | 0304 | SW | 3.00 | |
| * 269 | KB 14 | 0706 | - | .20 | * 703 | KC 25 | 0706 | - | 1.95 | * 21 | MB 33 | 0304 | - | 3.90 | |
| * 281 | KBA 21 | 0701 | - | 34.50 | * 705 | KC 21 | 0706 | - | 3.00 | * 21 | MB 36-P1 | 0304 | - | 4.50 | |
| * 284 | KBA 211 | 0701 | - | 45.00 | * 708 | KC 21 | 0706 | - | 1.95 | * 21 | MB 37-P1 | 0304 | - | 4.50 | |
| * 284 | KBA 212 | 0701 | - | 60.00 | * 745 | KC 11 | 0701 | - | .10 | * 24 | MB 16 | 0304 | - | .50 | |
| * 284 | KBA 215 | 0701 | - | 60.00 | * 745 | KC 12 | 0701 | - | .10 | * 30 | MB 11 | 0304 | - | .15 | |
| * 320 | KB 26 | 0704 | - | 4.90 | * 745 | KC 13 | 0701 | - | .10 | * 42 | MB 17 | 0304 | - | .20 | |
| * 320 | KB 27 | 0704 | - | 5.50 | * 745 | KC 14 | 0701 | - | .10 | * 53 | MB 11 | 1800 | - | .15 | |
| * 321 | KB 21A | 0704 | - | 10.50 | * 786 | KC 11 | 0704 | - | 2.00 | * 2 | MD 229 | 0301 | CU | 6.50 | |
| * 366 | KBA 19 | 0203 | - | 5.85 | * 786 | KC 12 | 0704 | - | 1.80 | * 4 | MDA 14-P2 | 0301 | - | 1.75 | |
| * 399 | KBA 14 | 0701 | - | 1.60 | * 40 | KD 12 | 0704 | - | .40 | * 5 | MD 39-P1 | 0301 | - | 1.50 | |
| * 399 | KBA 15 | 0701 | - | 1.60 | * 42 | KD 11 | 0705 | - | .35 | * 5 | MD 39-P2 | 0301 | - | 1.50 | |
| * 400 | KB 11 | 0701 | - | 1.50 | * 110 | KD 11 | 0706 | - | .20 | * 5 | MD 253-P1 | 0301 | - | 1.25 | |
| * 400 | KB 12 | 0701 | - | .65 | * 116 | KD 11 | 0706 | - | .20 | * 5 | MD 253-P2 | 0301 | - | 1.35 | |
| * 403 | KB 26 | 0701 | - | 4.00 | * 117 | KD 14 | 0203 | - | .15 | * 6 | MD 126 | 0301 | - | .40 | |
| * 403 | KB 27 | 0701 | - | 4.00 | * 223 | KD 11 | 0704 | - | .90 | * 23 | MD 15 | 0301 | Use 41 AX 240 | | 240 |
| * 405 | KB 36 | 0701 | - | 2.00 | * 223 | KD 12 | 0704 | - | .80 | * 24 | MD 11 | 0301 | - | # | |
| * 406 | KB 29 | 0701 | - | 3.75 | * 224 | KD 13 | 0704 | - | 1.25 | * 25 | MDA 14 | 0301 | - | # | |
| * 406 | KB 311-P2 | 0701 | - | 9.75 | * 224 | KD 14 | 0704 | - | .90 | * 27 | MD 118 | 0301 | - | .90 | |
| * 406 | KBA 312-P2 | 0701 | - | 9.75 | * 224 | KD 15 | 0704 | - | 1.00 | * 27 | MD 119 | 0301 | - | 1.00 | |
| * 409 | KB 25 | 0706 | - | 1.50 | * 233 | KD 12 | 0704 | - | .35 | * 41 | MD 21 | 0301 | - | .60 | |
| * 541 | KBA 12 | 0701 | - | | | | | | | | | | | | |
| | | 1101 | SW | .35 | | | | | | | | | | | |
| * 552 | KB 232 | 0901 | - | 4.00 | | | | | | | | | | | |

- Price furnished on application.

* - Indicates part is also used on commercial Vehicles.

NUMERICAL INDEX AND PRICE SECTION

| Code | Part No. | Gov't Group | Disc. Code | List Price | Code | Part No. | Gov't Group | Disc. Code | List Price | Code | Part No. | Gov't Group | Disc. Code | List Price | |
|-------|------------|-------------|-----------------|------------|------|--------------|-------------|------------|------------|------|------------|-------------|------------|------------|--|
| * 2 | ME 22-P1 | 0401 | MP | 5.25 | * 15 | MTC 21-P2 | 0107 | - | .45 | * 21 | QBC 24-P17 | 0303 | | | |
| * 4 | ME 3120-P1 | 0402 | | 7.25 | * 15 | MTC 21-P4 | 0107 | - | .55 | | | 0605 | ED | 1.00 | |
| * 4 | ME 3120-P2 | 0402 | Use 4 ME 3120P1 | | * 57 | MT 11 | 0612 | - | .25 | * 21 | QBC 24-P18 | 0303 | | | |
| * 4 | ME 3122-P1 | 0402 | | 5.75 | * 58 | MT 11 | 0612 | - | .25 | | | 0605 | ED | 1.00 | |
| | | | | | * 59 | MT 11 | 0612 | - | .35 | * 26 | QB 13 | 0303 | - | .20 | |
| * 3 | MFA 424 | 0501 | R | 58.50 | | | | | | * 26 | QB 18 | 0303 | - | .10 | |
| * 3 | MFA 465-P2 | 0501 | R | 75.00 | * 7 | MUA 353-P6 | 0901 | SS | 39.50 | * 29 | QB 122 | 0303 | - | .20 | |
| * 5 | MF 21 | 0501 | - | .75 | * 7 | MUA 353-P11 | 0901 | SS | 40.00 | * 29 | QB 123 | 0303 | - | .15 | |
| * 7 | MF 12 | 0501 | - | 7.25 | * 7 | MUA 353-P12 | 0901 | SS | 40.00 | * 30 | QB 12 | 0303 | - | .15 | |
| * 9 | MF 21 | 0501 | - | 1.50 | * 7 | MUA 353-P16 | 0901 | SS | 44.25 | * 30 | QB 29 | 0303 | - | .20 | |
| * 11 | MF 316 | 0505 | HC | 1.50 | * 7 | MUA 353-P21 | 0901 | SS | 44.50 | * 62 | QB 11 | 0303 | - | .15 | |
| * 11 | MF 317 | 0505 | HC | 1.50 | * 7 | MUA 353-P33 | 0901 | SS | 44.25 | * 98 | QB 13 | 0303 | - | .25 | |
| * 16 | MF 11 | 0501 | - | .50 | * 7 | MUA 353-P52 | 0901 | SS | 44.75 | | | | | | |
| * 16 | MF 22 | 0501 | - | 1.45 | * 7 | MUA 353-P55 | 0901 | SS | 44.25 | * 4 | QC 222 | 1405 | - | 1.00 | |
| * 17 | MF 43A | 0504 | - | 12.50 | * 7 | MUA 353-P73 | 0901 | SS | 45.00 | * 4 | QC 224 | 1405 | - | 1.00 | |
| * 17 | MF 220 | 0504 | - | 2.25 | * 7 | MUA 360-P21 | 0901 | SS | 55.50 | * 6 | QCA 12 | 1405 | - | 7.25 | |
| * 22 | MF 11 | 0504 | - | .25 | * 7 | MUA 376-P14 | 0901 | SS | 29.50 | * 9 | QC 214 | 1403 | - | 4.75 | |
| * 37 | MF 201 | 0504 | - | | * 7 | MUA 376-P90 | 0901 | SS | 30.00 | * 10 | QC 17 | 1007 | - | | |
| | | 1704 | - | | * 7 | MUA 376-P99 | 0901 | SS | 33.50 | | | 1403 | - | 1.10 | |
| | | 1803 | - | .30 | * 7 | MUA 376-P106 | 0901 | SS | 32.50 | * 12 | QC 41-P8 | 1404 | - | 10.00 | |
| * 49 | MF 11 | 0501 | - | .05 | * 7 | MUA 376-P108 | 0901 | SS | 32.50 | * 13 | QC 34-P1 | 1401 | - | 5.75 | |
| * 50 | MF 11 | 0505 | - | .35 | * 7 | MUA 376-P110 | 0901 | SS | 30.00 | * 13 | QC 314-P1 | 1401 | Use 13 QC | 314-P2 | |
| * 52 | MF 12 | 0501 | - | # | * 8 | MUA 411-P47 | 0901 | SS | 62.00 | * 13 | QC 314-P2 | 1401 | - | 5.25 | |
| | | | | | * 8 | MUA 411-P48 | 0901 | SS | 61.00 | * 15 | QC 11-P1 | 1405 | - | .15 | |
| * 2 | MH 412 | 0503 | - | # | * 8 | MUA 3102-P8 | 0901 | SS | 48.00 | * 20 | QC 434-P14 | 1403 | - | 95.00 | |
| * 5 | MH 31 | 0501 | - | 6.25 | * 8 | MUA 3102-P29 | 0901 | SS | 44.00 | * 20 | QC 434-P18 | 1403 | - | 95.00 | |
| * 5 | MH 444 | 0501 | - | 7.50 | * 16 | MUA 327-P34 | 0901 | SS | 15.50 | * 25 | QC 31 | 1405 | - | .75 | |
| | | | | | * 16 | MUA 327-P44 | 0901 | SS | 17.60 | | | | | | |
| * 2 | MJ 338 | 0601 | ED | 75.00 | * 16 | MUA 327-P45 | 0901 | SS | 17.60 | * 3 | QD 31-P1 | 1202 | BW | 2.30 | |
| * 2 | MJ 343 | 0601 | ED | 75.00 | * 16 | MUA 327-P46 | 0901 | SS | 15.50 | * 3 | QDC 31-P49 | 1202 | BW | 2.00 | |
| * 3 | MJ 237 | 0601 | ED | 2.00 | * 16 | MUA 327-P54 | 0901 | SS | 17.60 | * 3 | QD 207 | 1202 | BN | 1.25 | |
| * 4 | MJ 121 | 0601 | ED | .25 | * 16 | MUA 327-P61 | 0901 | SS | 16.75 | * 3 | QD 2032 | 1202 | BN | 2.25 | |
| * 6 | MJ 289 | 0601 | - | 5.25 | * 16 | MUA 327-P63 | 0901 | SS | 17.00 | * 3 | QD 2034 | 1202 | BN | 2.25 | |
| * 9 | MJ 39-P9 | 0601 | ED | 7.00 | * 16 | MUA 327-P67 | 0901 | SS | 17.25 | * 4 | QDA 2031 | 1202 | - | 10.40 | |
| * 9 | MJ 39-P10 | 0601 | ED | 7.00 | * 16 | MUA 327-P74 | 0901 | SS | 17.60 | * 4 | QDA 2033 | 1202 | Use 3 QDC | 31-P49 | |
| * 10 | MJ 21 | 0604 | ED | 3.00 | * 16 | MUA 330-P21 | 0901 | SS | 21.50 | * 4 | QDA 2034 | 1202 | - | 12.80 | |
| * 18 | MJ 21 | 0601 | ED | .50 | * 16 | MUA 334-P14 | 0901 | SS | 17.75 | * 4 | QD 2037 | 1202 | BR | 2.35 | |
| * 19 | MJ 101 | 0602 | - | .50 | * 16 | MUA 334-P90 | 0901 | SS | 17.50 | * 6 | QD 15 | 1202 | - | .45 | |
| | | | | | * 16 | MUA 334-P99 | 0901 | SS | 22.25 | * 7 | QDA 15 | 1202 | - | 8.00 | |
| * 2 | MK 141-P2 | 2309 | Net | 12.00 | * 16 | MUA 334-P106 | 0901 | SS | 19.75 | * 7 | QDA 21 | 1202 | - | 5.25 | |
| * 4 | MK 111 | 1803 | - | .20 | * 16 | MUA 334-P108 | 0901 | SS | 20.75 | * 7 | QDA 22 | 1202 | - | 10.50 | |
| * 28 | MK 11-P2 | 0610 | - | .55 | * 16 | MUA 334-P110 | 0901 | SS | 20.50 | * 7 | QDA 23 | 1202 | - | 10.50 | |
| * 28 | MK 11-P5 | 0610 | - | .55 | * 17 | MUA 393-P47 | 0901 | SS | 26.75 | * 8 | QD 11 | 1203 | - | .20 | |
| * 29 | MKA 233 | 1803 | - | 2.00 | * 17 | MUA 393-P48 | 0901 | SS | 26.75 | * 8 | QD 12 | 1203 | - | .35 | |
| * 46 | MKA 21-P4 | 0610 | - | .35 | * 17 | MUA 395-P8 | 0901 | SS | 20.00 | * 9 | QD 24 | 1208 | BL | 2.75 | |
| * 46 | MKA 21-P8 | 0610 | - | .75 | * 17 | MUA 395-P29 | 0901 | SS | 22.75 | * 15 | QD 11 | 1203 | BL | .03 | |
| * 46 | MKA 21-P11 | 0610 | - | .75 | * 30 | MU 121 | 0901 | - | .65 | * 18 | QD 11 | 1203 | - | .25 | |
| * 46 | MKA 21-P17 | 0610 | - | .75 | * 32 | MU 276 | 0901 | SS | 4.40 | * 19 | QD 23 | 1203 | - | 7.50 | |
| | | | | | * 35 | MUA 15 | 0903 | PS | 21.00 | * 19 | QD 24 | 1203 | - | 7.50 | |
| * 2 | MOA 33-P9 | 0607 | LC | 4.85 | * 36 | MUA 13 | 0901 | - | | * 19 | QD 214 | 1203 | - | 8.25 | |
| * 5 | MO 33 | 0607 | - | 1.85 | | | 0903 | - | 15.25 | * 19 | QD 215 | 1203 | - | 8.25 | |
| * 14 | MO 27-P1 | 0608 | LC | 1.45 | * 36 | MU 29 | 0903 | - | # | * 25 | QDA 21A-P1 | 1203 | - | 11.75 | |
| * 15 | MO 14 | 0608 | - | .75 | * 69 | MU 21 | 0903 | PS | .30 | * 25 | QDA 28-P1 | 1203 | Use 25 QDA | 28-P3 | |
| * 23 | MO 31 | 0608 | - | .65 | * 70 | MU 21 | 0903 | PS | .30 | * 25 | QDA 28-P3 | 1203 | - | 11.75 | |
| * 36 | MOC 15-P1 | 0605 | - | .65 | * 71 | MU 21 | 0903 | PS | .35 | * 26 | QD 13 | 1203 | - | 2.25 | |
| * 41 | MO 11 | 0605 | LB | .07 | * 77 | MU 11 | 0903 | PS | 1.25 | * 26 | QD 15 | 1203 | - | 2.00 | |
| * 44 | MOAC 21-P2 | 0608 | - | 1.05 | | | | | | * 27 | QD 12A-P1 | 1203 | - | 3.50 | |
| * 44 | MOAC 21-P3 | 0608 | - | 1.15 | * 1 | MWA 424-P1 | 1201 | - | 9.25 | * 27 | QD 13 | 1203 | - | 4.00 | |
| * 102 | MO 21-P1 | 0607 | AA | .66 | * 3 | MWA 34-P1 | 1201 | - | 5.25 | * 28 | QD 26-P1 | 1203 | - | 5.75 | |
| | | | | | * 10 | MW 215 | 1201 | Use 10 MWA | 124P2 | * 28 | QDA 37-P2 | 1203 | - | 5.75 | |
| * 1 | MR 14 | 0607 | - | .60 | * 12 | MW 36 | 1201 | BD | 10.95 | * 28 | QD 37-P7 | 1203 | - | 5.75 | |
| * 1 | MR 18 | 0605 | Use 1 MR 18A | | * 12 | MW 38 | 1201 | BD | 10.95 | * 34 | QD 11 | 1203 | BL | .65 | |
| * 1 | MR 18A | 0605 | EA | 1.35 | * 20 | MW 118 | 1201 | - | 1.00 | * 34 | QD 13 | 1203 | - | 1.10 | |
| * 1 | MR 23 | 0606 | ED | .50 | * 32 | MW 14 | 1201 | - | .60 | * 35 | QDA 22 | 1208 | - | 15.00 | |
| * 3 | MR 22-P1 | 0606 | ED | .35 | * 35 | MW 14 | 1201 | - | .85 | * 35 | QDA 24 | 1208 | - | 8.25 | |
| * 7 | MR 21-P1 | 0606 | AA | 4.15 | * 37 | MW 12 | 1201 | - | .15 | * 35 | QDA 25 | 1208 | - | 8.25 | |
| * 10 | MR 17 | 0606 | - | .40 | * 37 | MW 165-P1 | 1212 | - | .25 | * 35 | QDA 38 | 1208 | - | 7.50 | |
| * 10 | MR 18 | 0606 | - | .40 | * 53 | MW 17-P1 | 1201 | - | .50 | * 35 | QDA 39 | 1208 | - | 7.50 | |
| * 19 | MR 22 | 0604 | - | 1.25 | * 55 | MW 12-P2 | 1201 | - | .30 | * 39 | QDA 13 | 1203 | - | 2.55 | |
| * 19 | MR 23 | 0604 | - | 1.25 | * 62 | MW 34 | 1201 | - | 2.50 | * 39 | QDA 16 | 1203 | - | 3.00 | |
| * 31 | MR 11 | 0607 | - | .02 | | | | | | * 39 | QDA 18-P1 | 1203 | - | 9.00 | |
| * 33 | MR 13-P2 | 0606 | DC | 2.10 | * 3 | MXA 13-P1 | 1204 | - | 6.75 | * 39 | QDA 19-P1 | 1203 | - | 9.00 | |
| * 35 | MRA 120 | 0609 | - | .55 | * 3 | MXA 14-P1 | 1204 | - | 6.75 | * 46 | QD 11 | 1203 | - | .45 | |
| * 38 | MR 33-P1 | 0609 | ED | 3.75 | * 8 | MX 17 | 0204 | - | 1.25 | * 46 | QD 12 | 1203 | - | .35 | |
| * 39 | MR 18-P1 | 0609 | - | .30 | * 8 | MX 118 | 0204 | - | 1.00 | * 49 | QDA 23 | 1207 | BL | 4.40 | |
| * 41 | MR 319 | 0606 | - | 3.75 | * 10 | MXA 11 | 0204 | - | 6.50 | * 50 | QD 12 | 1207 | - | 1.60 | |
| * 41 | MR 320 | 0606 | - | 2.25 | * 26 | MX 21-P4 | 0204 | - | 1.05 | * 52 | QDA 11 | 1203 | - | 2.25 | |
| * 41 | MR 321 | 0606 | - | 2.75 | | | | | | * 52 | QDA 12 | 1203 | - | 2.25 | |
| * 43 | MR 11 | 0606 | - | .25 | * 8 | MY 31 | 1802 | - | 2.75 | * 56 | QD 11 | 1203 | BL | .25 | |
| * 60 | MR 14-P1 | 0609 | SR | .10 | * 11 | MY 110 | 2202 | - | .20 | * 57 | QD 11 | 1203 | - | .50 | |
| * 71 | MR 13 | 0606 | Use 71 MR 113 | | * 11 | MY 111 | 2202 | - | .20 | * 58 | QD 11 | 1203 | BL | .06 | |
| * 71 | MR 15 | 0606 | - | .35 | * 11 | MY 121 | 2202 | - | .20 | * 59 | QD 13 | 1203 | - | .15 | |
| * 71 | MR 113 | 0606 | - | .50 | * 11 | MY 153 | 2202 | - | .35 | | | | | | |
| * 78 | MR 11 | 0604 | - | .01 | | | | | | * 4 | QE 31B | 1211 | BK | 13.40 | |
| | | 0606 | - | .02 | * 4 | QB 14 | 0303 | - | .50 | * 5 | QE 23 | 1210 | BK | 28.95 | |
| * 78 | MR 12 | 0606 | - | .02 | * 7 | QBA 213-P1 | 0303 | - | 1.25 | * 6 | QE 312A | 1210 | - | 3.25 | |
| * 93 | MR 11 | 0609 | SR | .18 | * 7 | QBA 215 | 0303 | - | .75 | * 6 | QE 322 | 1210 | - | 3.25 | |
| | | | | | * 10 | QB 15 | 0303 | - | .10 | * 6 | QE 323 | 1210 | - | 2.25 | |
| * 52 | MS 18 | 0606 | ED | 1.50 | * 21 | QBC 24-P3 | 0303 | | | * 8 | QE 22 | 1205 | BL | 7.75 | |
| | | | | | | | 0605 | ED | 1.00 | * 13 | QE 12 | 1211 | BK | 1.50 | |
| * 5 | MTC 31-P1 | 0605 | SW | 12.50 | * 21 | QBC 24-P5 | 0303 | | | * 13 | QE 15 | 1213 | BW | 4.75 | |
| * 5 | MTC 31-P3 | 0605 | SW | 12.50 | | | 0605 | ED | 1.00 | * 17 | QE 22 | 1211 | - | .70 | |

— Price furnished on application.

* — Indicates part is also used on commercial Vehicles.

NUMERICAL INDEX AND PRICE SECTION

| Code | Part No. | Gov't Group | Disc. Code | List Price | Code | Part No. | Gov't Group | Disc. Code | List Price | Code | Part No. | Gov't Group | Disc. Code | List Price |
|------|---------------|-------------|------------|------------|-------|---------------|-------------|------------|------------|------|--------------|-------------|------------|------------|
| * 19 | QE 23-P3 | 1213 | BW | 15.30 | * 1 | QLA 4191A-P5 | 1506 | - | 225.00 | * 2 | QR 512 | 1800 | - | 40.00 |
| 19 | QE 23-P4 | 1213 | Use 19 | QE 23-P3 | * 1 | QLA 40271 | 1506 | - | 225.00 | 11 | QR 421 | 1800 | - | 7.50 |
| * 19 | QE 3038 | 1213 | BW | 17.55 | * 1 | QLA 40272 | 1506 | - | 235.00 | * 12 | QR 41 | 1800 | - | 2.50 |
| * 19 | QE 3039 | 1213 | Use 19 | QE 3038 | * 1 | QLA 41189-P7 | 1506 | - | 240.00 | * 17 | QRA 36-P1 | 1802 | - | 3.25 |
| * 20 | QE 25 | 1213 | BW | 21.40 | * 1 | QLA 41190-P1 | 1506 | - | 225.00 | * 17 | QRA 36-P2 | 1802 | - | 3.25 |
| * 20 | QE 36 | 1213 | BW | 34.20 | 1 | QLAM 41724 | 1506 | - | # | * 18 | QRA 36 | 1802 | - | 4.00 |
| 22 | QEO 210-P14 | 1213 | BW | 12.90 | 1 | QLAM 41724-P1 | 1506 | - | # | * 19 | QR 336 | 1802 | - | 3.50 |
| * 24 | QE 130 | 1213 | - | .75 | 1 | QLAM 41727 | 1506 | - | # | 19 | QR 362 | 1802 | Use 19 | QR 336 |
| 29 | QE 135 | 1213 | - | # | 1 | QLAM 41732 | 1506 | - | # | 19 | QR 363 | 1802 | Use 19 | QR 336 |
| * 31 | QEA 25-P1 | 1211 | BW | 2.45 | 2 | QLC 4156-P1 | 1506 | - | # | 19 | QR 381 | 1802 | Use 19 | QR 336 |
| * 31 | QEA 25-P2 | 1211 | BW | 2.46 | 2 | QLC 4156-P9 | 1506 | - | # | 19 | QRA 3126 | 1802 | - | 7.50 |
| * 31 | QE 25-P6 | 1211 | BW | 2.70 | * 2 | QL 4174A-P2 | 1506 | - | 39.50 | 20 | QR 329 | 1802 | - | .85 |
| * 34 | QE 11 | 1213 | - | 1.00 | 2 | QL 4175A-P3 | 1506 | - | # | * 20 | QR 338 | 1802 | Use 20 | QR 329 |
| * 36 | QE 111 | 1211 | - | .65 | * 2 | QL 4176A-P1 | 1506 | - | 44.00 | * 20 | QR 339 | 1802 | Use 20 | AX 329 |
| * 42 | QE 23-P1 | 1209 | BL | 1.90 | 2 | QL 4176A-P3 | 1506 | - | # | 20 | QR 342 | 1802 | Use 20 | QR 329 |
| * 44 | QE 11 | 1213 | - | .45 | 2 | QL 4176A-P4 | 1506 | - | # | 20 | QR 343 | 1802 | Use 20 | QR 329 |
| 50 | QE 13 | 1213 | - | # | * 2 | QL 4177A-P5 | 1506 | - | 44.00 | * 21 | QR 11 | 1802 | - | .35 |
| 51 | QE 11 | 1213 | - | # | 2 | QL 4177A-P7 | 1605 | - | # | 21 | QR 29 | 1802 | Use 21 | QR 33 |
| 51 | QE 12 | 1213 | - | # | 2 | QL 4177A-P8 | 1506 | - | # | * 21 | QR 32 | 1802 | - | 1.75 |
| * 59 | QE 11 | 1211 | BW | .75 | 2 | QL 4237-P1 | 1506 | - | # | * 21 | QR 33 | 1802 | - | 2.00 |
| * 59 | QE 12A | 1211 | BW | 2.85 | 2 | QL 4237-P2 | 1506 | - | # | * 21 | QR 119 | 1802 | - | .15 |
| * 59 | QE 13-P3 | 1211 | Use 59 | QE 13-P4 | 2 | QL 4238-P3 | 1506 | - | # | * 21 | QR 129 | 1802 | - | .20 |
| * 70 | QE 22-P1 | 1213 | - | .35 | 2 | QL 4238-P4 | 1506 | - | # | 21 | QR 273 | 1802 | Use 15 | EM 45 |
| * 77 | QE 16 | 1211 | - | .10 | * 2 | QL 42002-P1 | 1506 | - | 48.00 | 21 | QR 275 | 1802 | Use 15 | EM 45 |
| * 77 | QE 17 | 1211 | - | .10 | * 2 | QL 42003-P1 | 1506 | - | 48.00 | 21 | QR 276 | 1802 | Use 15 | EM 45 |
| * 85 | QE 11 | 1205 | - | .20 | * 2 | QL 42014-P3 | 1506 | - | 44.00 | 21 | QR 436 | 1802 | Use 15 | EM 45 |
| * 85 | QE 118 | 1205 | - | .35 | 2 | QL 42015-P3 | 1506 | - | # | * 27 | QR 21 | 1800 | - | 2.25 |
| * 4 | QFA 515-P2 | 1100 | - | # | 2 | QL 42049-P1 | 1506 | - | # | * 29 | QR 131 | 1802 | - | .15 |
| 4 | QFA 520-P2 | 1100 | - | # | 2 | QL 42050-P1 | 1506 | - | # | 35 | QR 127 | 1800 | - | # |
| 4 | QFA 526-P2 | 1100 | - | # | 2 | QLM 42968 | 1506 | - | # | 35 | QR 128 | 1800 | - | # |
| 4 | QFA 527-P2 | 1100 | - | # | 2 | QLM 42968-P1 | 1506 | - | # | * 37 | QR 229 | 1800 | - | 8.50 |
| 4 | QFA 1387-P4 | 1100 | - | # | 2 | QLM 42969 | 1506 | - | # | * 37 | QR 235 | 1800 | - | 8.50 |
| 4 | QFA 1387-P10 | 1100 | - | # | 2 | QLM 42976 | 1506 | - | # | * 37 | QR 529-P1 | 1800 | - | 8.50 |
| * 19 | QF 36 | 1101 | - | 111.00 | 2 | QLM 42977 | 1506 | - | # | * 37 | QR 530 | 1800 | Use 37 | QR 530-P1 |
| * 19 | QF 47 | 1101 | - | 111.25 | 2 | QLM 42986 | 1506 | - | # | * 37 | QR 530-P1 | 1800 | - | 8.50 |
| 1 | QHA 423-P1 | 1000 | - | # | 2 | QLM 42987 | 1506 | - | # | 42 | QRA 37 | 1802 | Use 19 | QRA 3126 |
| * 1 | QHA 424-P1 | 1000 | - | 345.00 | 8 | QL 345-P2 | 1506 | - | 6.25 | * 44 | QR 12 | 1802 | - | 1.25 |
| * 3 | QH 312 | 1001 | - | 37.00 | * 8 | QL 381 | 1506 | - | 6.00 | 73 | QR 14 | 1802 | - | .20 |
| * 5 | QH 31-P2 | 1007 | - | 7.25 | 10 | QL 33 | 0110 | Use 13 | QLA 12 | 73 | QR 16 | 1802 | - | .10 |
| * 5 | QH 32-P2 | 1007 | - | 4.25 | 13 | QLA 12 | 0110 | - | 21.00 | 73 | QR 17 | 1802 | - | .10 |
| * 6 | QH 35 | 1402 | - | 6.25 | * 20 | QL 24-P2 | 0903 | - | 1.95 | 2 | QSA 318A-P11 | 1800 | - | # |
| * 7 | QHA 314 | 1402 | - | 12.50 | * 24 | QL 328 | 2101 | - | 18.00 | 2 | QSA 318A-P12 | 1800 | - | # |
| * 10 | QHA 11 | 1402 | - | 2.70 | * 24 | QL 342 | 2101 | - | 13.75 | 2 | QSA 412B-P1 | 1800 | - | # |
| * 10 | QHA 12 | 1402 | - | 2.70 | * 37 | QL 137-P1 | 0304 | - | .25 | 3 | QSA 419A-P1 | 1800 | - | # |
| * 19 | QHA 14 | 1007 | - | 16.00 | * 37 | QL 295 | 1506 | - | 15.00 | 3 | QSA 419A-P23 | 1800 | - | # |
| * 22 | QH 11 | 1007 | - | 1.45 | * 37 | QL 296 | 1506 | - | 15.00 | * 10 | QS 27 | 1800 | - | .75 |
| 2 | QJ 311A | 1301 | - | 15.00 | 39 | QL 221-P62 | 1507 | - | 20.00 | * 10 | QS 28 | 1800 | - | .75 |
| * 8 | QJ 320A | 1301 | - | 30.00 | 46 | QL 11 | 0110 | - | 2.25 | * 10 | QS 210 | 1800 | - | .25 |
| * 15 | QJ 21 | 1301 | - | .30 | * 73 | QL 22 | 0110 | - | 2.70 | * 10 | QS 211 | 1800 | - | .25 |
| * 15 | QJ 121A | 1301 | - | .35 | * 73 | QL 24 | 0110 | - | 1.25 | * 11 | QS 11 | 1800 | - | .20 |
| * 17 | QJ 314A | 1302 | BD | 14.25 | * 1 | QM 31 | 1704 | - | 24.00 | * 11 | QS 12 | 1800 | - | .20 |
| * 17 | QJ 317A | 1302 | BD | 13.25 | * 1 | QMA 42-P1 | 1704 | - | 48.25 | 12 | QS 28 | 1800 | - | # |
| * 17 | QJ 349A | 1302 | BD | 14.30 | * 3 | QM 11 | 1704 | - | .45 | 12 | QS 29 | 1800 | - | # |
| * 18 | QJ 12 | 1302 | - | .05 | 7 | QM 13 | 1704 | - | .10 | * 21 | QS 26 | 1800 | - | 1.65 |
| * 19 | QJ 11A | 1301 | - | .36 | * 8 | QM 11 | 1704 | - | .10 | 25 | QS 37 | 1800 | - | 3.50 |
| * 19 | QJ 214 | 1301 | - | 1.65 | * 9 | QM 11 | 1704 | - | .25 | 25 | QS 38 | 1800 | - | 3.50 |
| * 23 | QJ 11 | 1301 | - | .50 | 9 | QM 123 | 1704 | - | .25 | * 26 | QS 33 | 1800 | - | 1.50 |
| * 25 | QJA 12 | 1301 | - | 1.35 | 9 | QM 124 | 1704 | - | .25 | * 27 | QS 11 | 1800 | - | .15 |
| * 27 | QJ 21 | 1208 | - | .40 | * 13 | QM 517 | 1701 | - | 19.25 | * 31 | QSA 59-P1 | 1805 | - | 30.00 |
| * 34 | QJ 12 | 1302 | - | .45 | * 13 | QM 518 | 1701 | - | 19.25 | * 31 | QSA 59-P2 | 1805 | - | 30.00 |
| 2 | QK 2147 | 1601 | S | 14.00 | * 15 | QM 416-P1 | 1504 | - | 2.35 | * 31 | QSA 59-P3 | 1805 | - | 30.00 |
| 2 | QK 2148 | 1601 | S | 12.25 | * 15 | QM 417-P1 | 1504 | - | 2.35 | * 31 | QSA 59-P4 | 1805 | - | 30.00 |
| 2 | QK 2157 | 1601 | S | 17.50 | * 19 | QM 41 | 1701 | - | 1.35 | * 38 | QS 31-P1 | 1805 | - | 1.65 |
| 2 | QK 2159-P1 | 1601 | Use 2 | QK 2159-P2 | * 19 | QM 42 | 1701 | - | 1.35 | 38 | QS 32-P1 | 1805 | - | 1.65 |
| 2 | QK 2159-P2 | 1601 | S | 17.00 | * 22 | QM 13 | 1701 | - | .30 | 40 | QS 32 | 1809 | - | 4.85 |
| * 4 | QK 2270 | 1601 | S | 26.75 | * 30 | QM 410 | 1703 | - | 5.25 | * 42 | QS 11 | 1805 | - | .50 |
| * 4 | QK 2271 | 1601 | S | 26.75 | * 30 | QM 411 | 1703 | - | 5.25 | * 47 | QS 22 | 1805 | - | .35 |
| * 5 | QK 221 | 1601 | S | 6.85 | * 32 | QM 221 | 1703 | - | 2.00 | * 49 | QS 27 | 1805 | - | .60 |
| * 6 | QKA 3050 | 1602 | - | 2.15 | * 33 | QM 33 | 1702 | - | 4.85 | * 49 | QS 28 | 1805 | - | .60 |
| * 47 | QK 35 | 1503 | - | 4.50 | * 33 | QM 34 | 1702 | - | 4.85 | * 54 | QS 12 | 1805 | - | .10 |
| * 47 | QK 36 | 1503 | - | 4.50 | * 33 | QM 442 | 1702 | - | 4.85 | * 59 | QS 21 | 1800 | - | .35 |
| * 48 | QK 35 | 1503 | - | 4.50 | * 33 | QM 454 | 1702 | - | 4.85 | * 59 | QS 22 | 1800 | - | .35 |
| * 48 | QK 36 | 1503 | - | 4.50 | * 34 | QM 13 | 1702 | - | .15 | * 61 | QS 11 | 1805 | - | .35 |
| * 49 | QK 21 | 1503 | - | 1.50 | * 34 | QM 14 | 1702 | - | .15 | * 62 | QS 11 | 1704 | - | .45 |
| * 51 | QK 37 | 1503 | - | 6.25 | * 34 | QM 18 | 1702 | - | .20 | * 62 | QS 12 | 1704 | - | .45 |
| * 51 | QK 38 | 1503 | - | 6.25 | * 34 | QM 110 | 1702 | - | .25 | * 62 | QS 14 | 1805 | - | .50 |
| * 51 | QK 43 | 1503 | - | 5.50 | * 34 | QM 111 | 1702 | - | .25 | * 62 | QS 15 | 1805 | - | .50 |
| * 51 | QK 44 | 1505 | - | 5.50 | 49 | QM 13 | 1701 | - | .25 | * 66 | QS 342-P1 | 1804 | - | 9.00 |
| * 52 | QK 21 | 1503 | - | 1.50 | * 57 | QM 348 | 1702 | - | 1.75 | * 66 | QS 343-P1 | 1804 | - | 11.25 |
| * 52 | QK 210 | 1503 | - | 1.75 | * 57 | QM 352 | 1702 | - | 1.75 | * 66 | QS 348 | 1804 | - | 9.00 |
| * 53 | QK 43 | 1503 | - | 6.25 | * 66 | QM 11 | 1704 | - | .15 | * 66 | QS 349 | 1804 | - | 11.25 |
| * 53 | QK 44 | 1503 | - | 6.25 | * 67 | QM 11 | 1704 | - | .15 | * 68 | QSA 330-P1 | 1804 | - | 12.75 |
| * 53 | QK 430 | 1503 | - | 8.00 | * 68 | QM 11 | 1704 | - | .30 | * 68 | QS 337 | 1804 | - | 8.00 |
| * 53 | QK 431 | 1503 | - | 8.00 | * 69 | QM 11 | 1704 | - | .25 | * 68 | QS 349 | 1804 | - | 13.50 |
| 1 | QLA 4120-P1 | 1506 | - | # | * 70 | QM 11 | 1704 | - | .25 | * 69 | QS 15 | 1800 | - | .35 |
| * 1 | QLA 4190A-P13 | 1506 | - | 240.00 | * 71 | QM 24 | 1703 | - | 2.00 | * 69 | QS 16 | 1800 | - | .35 |
| * 1 | QLA 4190A-P15 | 1506 | - | 240.00 | * 81 | QM 31 | 1703 | - | 1.75 | 69 | QS 17 | 1804 | - | # |
| * 1 | QLA 4190A-P16 | 1506 | - | 250.00 | * 81 | QM 32 | 1703 | - | 1.75 | 69 | QS 18 | 1804 | - | # |
| | | | | | * 85 | QM 327 | 1701 | - | 1.25 | * 69 | QS 19 | 1800 | - | .35 |
| | | | | | * 96 | QMA 47 | 1704 | - | 20.00 | * 69 | QS 110 | 1800 | - | .35 |
| | | | | | * 114 | QM 41 | 1704 | - | 6.50 | 71 | QS 51 | 1800 | - | # |

— Price furnished on application.
 * — Indicates part is also used on commercial Vehicles.

NUMERICAL INDEX AND PRICE SECTION

| Code | Part No. | Gov't Group | Disc. Code | List Price | Code | Part No. | Gov't Group | Disc. Code | List Price | Code | Part No. | Gov't Group | Disc. Code | List Price |
|--|----------|-------------|------------|------------|--|----------|-------------|------------|------------|---|----------|-------------|------------|------------|
| BENDIX-WESTINGHOUSE AIR BRAKE COMPANY (Cont'd) | | | | | BENDIX-WESTINGHOUSE AIR BRAKE COMPANY (Cont'd) | | | | | DELCO-REMY DIVISION - GENERAL MOTORS CORPORATION (Cont'd) | | | | |
| 203464 | 1213 | BW | | .16 | 215959 | 0606 | BW | | .35 | 184004 | 0603 | ED | | # |
| 203465 | 1213 | BW | | .18 | 216071 | 1213 | BW | | 13.20 | 802691 | 0602 | ED | | .05 |
| 203525 | 1213 | BW | | .35 | 216248 | 1213 | BW | | 8.00 | 802730 | 0601 | ED | | .01 |
| 203567 | 1213 | BW | | .03 | 216281 | 1213 | BW | | 2.25 | 802731 | 0601 | ED | | .01 |
| 203574 | 1213 | BW | | .01 | 216283 | 1213 | BW | | 5.00 | 802760 | 0601 | | | |
| 203575 | 1213 | BW | | .03 | 216375 | 1213 | BW | | 7.75 | | 0603 | ED | | .01 |
| 203620 | 0606 | BW | | .20 | 216378 | 1213 | BW | | 5.50 | 802818 | 0603 | ED | | .05 |
| 203621 | 0606 | BW | | 1.00 | 217221 | 1213 | BW | | 2.85 | 805057 | 0602 | ED | | .01 |
| 203622 | 0606 | BW | | .10 | 217269 | 1213 | BW | | 8.00 | 805258 | 0602 | ED | | .05 |
| 203623 | 0606 | BW | | .25 | 217490 | 1213 | BW | | 32.50 | 805579 | 0603 | ED | | .20 |
| 203679 | 1213 | BW | | .07 | 217491 | 1213 | BW | | 23.25 | 805790 | 0601 | ED | | .01 |
| 203698 | 1213 | BW | | .40 | 217697 | 1213 | BW | | 2.60 | 809051 | 0602 | ED | | .05 |
| 203764 | 1213 | BW | | .02 | 220307 | 1213 | BW | | .85 | 809053 | 0602 | ED | | .10 |
| 204019 | 1213 | BW | | 2.15 | | | | | | 809062 | 0601 | | | |
| 204185 | 1213 | BW | | .10 | | | | | | | 0602 | ED | | .05 |
| 204260 | 1213 | BW | | .10 | | | | | | | 0602 | ED | | .05 |
| 204541 | 1213 | BW | | .05 | | | | | | | 0603 | ED | | .40 |
| 204542 | 1213 | BW | | .05 | | | | | | | 0602 | ED | | .05 |
| 204650 | 1213 | BW | | 1.30 | | | | | | | 0603 | ED | | .05 |
| 204651 | 1213 | BW | | .25 | | | | | | | 0603 | ED | | .02 |
| 204678 | 1213 | BW | | .25 | | | | | | | 0603 | ED | | .02 |
| 204782 | 1213 | BW | | .10 | | | | | | | 0602 | ED | | .10 |
| 204800 | 1213 | BW | | .40 | | | | | | | 0601 | ED | | .15 |
| 204874 | 1213 | BW | | .02 | | | | | | | 0601 | ED | | .05 |
| 204875 | 1213 | BW | | .03 | | | | | | | 0602 | ED | | .50 |
| 204916 | 1213 | BW | | .60 | | | | | | | 0602 | ED | | 1.80 |
| 205115 | 1213 | BW | | 1.00 | | | | | | | 0602 | ED | | 1.80 |
| 205195 | 1213 | BW | | 2.45 | | | | | | | 0603 | ED | | .01 |
| 205239 | 1213 | BW | | 2.25 | | | | | | | 0602 | ED | | .05 |
| 205469 | 1213 | BW | | 16.50 | | | | | | | 0602 | ED | | .05 |
| 205470 | 1213 | BW | | 13.35 | | | | | | | 0603 | ED | | .01 |
| 205471 | 1213 | BW | | 5.35 | | | | | | | 0602 | ED | | .10 |
| 205948 | 1213 | BW | | 1.00 | | | | | | | 0603 | ED | | .05 |
| 210002 | 1213 | BW | | .20 | | | | | | | 0602 | ED | | .10 |
| 210039 | 1213 | BW | | .20 | | | | | | | 0602 | ED | | .10 |
| 210041 | 1213 | BW | | .05 | | | | | | | 0603 | ED | | .01 |
| 210049 | 1213 | BW | | .10 | | | | | | | 0603 | ED | | .02 |
| 210050 | 1213 | BW | | .10 | | | | | | | 0602 | ED | | .05 |
| 210056 | 1213 | BW | | 5.00 | | | | | | | 0602 | ED | | .10 |
| 210057 | 1213 | BW | | .05 | | | | | | | 0602 | ED | | 1.50 |
| 210058 | 1213 | BW | | .03 | | | | | | | 0106 | ED | | .10 |
| 210059 | 1213 | BW | | 1.50 | | | | | | | 0603 | ED | | .05 |
| 210061 | 1213 | BW | | .15 | | | | | | | 0603 | ED | | .05 |
| 210064 | 1213 | BW | | .03 | | | | | | | 0602 | ED | | .10 |
| 210069 | 1213 | BW | | 1.05 | | | | | | | 0602 | ED | | .05 |
| 210071 | 1213 | BW | | .85 | | | | | | | 0602 | ED | | .05 |
| 210073 | 1213 | BW | | .75 | | | | | | | 0602 | ED | | 10.50 |
| 210074 | 1213 | BW | | .18 | | | | | | | 0602 | ED | | 6.00 |
| 210075 | 1213 | BW | | .75 | | | | | | | 0602 | ED | | .15 |
| 210076 | 1213 | BW | | .17 | | | | | | | 0603 | ED | | .25 |
| 210155 | 1213 | BW | | .24 | | | | | | | 0601 | ED | | .05 |
| 210180 | 1213 | BW | | .01 | | | | | | | 0601 | ED | | .10 |
| 210187 | 1213 | BW | | 1.70 | | | | | | | 0603 | ED | | .20 |
| 210190 | 1213 | BW | | .10 | | | | | | | 0603 | ED | | .75 |
| 210191 | 1213 | BW | | .30 | | | | | | | 0603 | ED | | .15 |
| 210192 | 1213 | BW | | .17 | | | | | | | 0603 | ED | | .05 |
| 210195 | 1213 | BW | | .23 | | | | | | | 0603 | ED | | 1.00 |
| 210196 | 1213 | BW | | .25 | | | | | | | 0603 | ED | | .85 |
| 210209 | 1213 | BW | | .85 | | | | | | | 0601 | ED | | .10 |
| 210276 | 1213 | BW | | .55 | | | | | | | 0601 | ED | | .20 |
| 210354 | 1213 | BW | | .05 | | | | | | | 0601 | ED | | .05 |
| 210522 | 1213 | BW | | .17 | | | | | | | 0601 | ED | | .05 |
| 210535 | 1213 | BW | | 7.25 | | | | | | | 0601 | ED | | .10 |
| 210563 | 1213 | BW | | .03 | | | | | | | 0601 | ED | | .15 |
| 210564 | 1213 | BW | | .06 | | | | | | | 0601 | ED | | .05 |
| 211026 | 1213 | BW | | .50 | | | | | | | 0601 | ED | | .10 |
| 211035 | 1213 | BW | | .20 | | | | | | | 0602 | ED | | .10 |
| 211158 | 1213 | BW | | # | | | | | | | 0603 | ED | | 1.50 |
| 211337 | 1213 | BW | | 5.55 | | | | | | | 0601 | | | |
| 211367 | 1213 | BW | | .15 | | | | | | | 0602 | ED | | .05 |
| 211519 | 1213 | BW | | .30 | | | | | | | 0603 | Use 1869704 | | |
| 212155 | 1213 | BW | | .65 | | | | | | | 0602 | ED | | .05 |
| 212205 | 1213 | BW | | .75 | | | | | | | 0601 | ED | | .05 |
| 212206 | 1213 | BW | | .65 | | | | | | | 0601 | ED | | .05 |
| 212207 | 1213 | BW | | # | | | | | | | 0601 | ED | | .05 |
| 212285 | 1213 | BW | | 24.75 | | | | | | | 0601 | ED | | .35 |
| 212294 | 1213 | BW | | .40 | | | | | | | 0601 | ED | | .75 |
| 212295 | 1213 | BW | | .50 | | | | | | | 0601 | ED | | .10 |
| 212340 | 1213 | BW | | 22.85 | | | | | | | 0601 | ED | | .15 |
| 212362 | 1213 | BW | | 2.35 | | | | | | | 0601 | ED | | .15 |
| 212701 | 1213 | BW | | .05 | | | | | | | 0603 | ED | | .05 |
| 215175 | 1213 | BW | | 23.60 | | | | | | | 0603 | ED | | .25 |
| 215207 | 1213 | BW | | .30 | | | | | | | 0601 | ED | | 1.50 |
| 215210 | 1213 | BW | | 1.35 | | | | | | | 0601 | ED | | .20 |
| 215230 | 1213 | BW | | .30 | | | | | | | 0603 | ED | | .05 |
| 215305 | 1213 | BW | | 6.15 | | | | | | | 0602 | ED | | .40 |
| 215306 | 1213 | BW | | 2.60 | | | | | | | 0601 | ED | | 1.25 |
| 215453 | 1213 | BW | | 20.75 | | | | | | | 0602 | ED | | .05 |
| 215538 | 0606 | BW | | .35 | | | | | | | 0602 | ED | | .30 |

— Price furnished on application.

* — Indicates part is also used on commercial Vehicles.

NUMERICAL INDEX AND PRICE SECTION

| Code | Part No. | Gov't Group | Disc. Code | List Price | Code | Part No. | Gov't Group | Disc. Code | List Price | Code | Part No. | Gov't Group | Disc. Code | List Price |
|--|----------|----------------|---------------|---------------|---|----------|----------------|---------------|---------------|--|----------|----------------|---------------|---------------|
| DELCO-REMY DIVISION - GENERAL MOTORS CORPORATION (Cont'd) | | | | | KING-SEELEY CORPORATION (Cont'd) | | | | | PIERCE GOVERNOR COMPANY (Cont'd) | | | | |
| 1850810 | 0602 | ED | | .07 | 25223 | | 0305 | GH | 1.50 | GG-115 | | 0305 | GP | 30.00 |
| 1850811 | 0602 | ED | | .08 | 25512 | | 0305 | GH | .05 | SG-200 | | 0305 | GP | 1.00 |
| 1850812 | 0602 | ED | | .55 | 25578 | | 0305 | GH | .01 | S2B-792 | | 0203 | GP | 9.00 |
| 1850844 | 0602 | ED | | 5.50 | 25600 | | 0305 | GH | .005 | SVB-1809 | | 0305 | GP | # |
| 1857960 | 0602 | ED | | .35 | 25786 | | 0305 | GH | .10 | X-74 | | 0305 | GP | .07 |
| 1860406 | 0603 | ED | | .05 | | | | | | X-198 | | 0305 | GP | .06 |
| 1860407 | 0603 | ED | | .05 | | | | | | X-206 | | 0305 | GP | .20 |
| 1861076 | 0602 | ED | | .01 | | | | | | X-317 | | 0305 | GP | 1.30 |
| 1861234 | 0602 | ED | | .02 | | | | | | X-339 | | 0305 | GP | .90 |
| 1863012 | 0603 | ED | # | | PERFECTION STEEL BODY COMPANY | | | | | X-455 | | 0305 | GP | .03 |
| 1863631 | 0602 | ED | | 3.25 | 5493-9 | | 1807 | | .80 | X-540 | | 0305 | GP | .04 |
| 1864867 | 0603 | ED | | 2.50 | 5493-10 | | 1807 | | .84 | X-701 | | 0305 | GP | # |
| 1865159 | 0603 | ED | | .05 | 6383-10 | | 1807 | | 1.50 | X-825 | | 0305 | GP | .05 |
| 1865182 | 0602 | ED | | .05 | 6436 | | 1807 | | .30 | X-883 | | 0305 | GP | .05 |
| 1865615 | 0601 | ED | | .10 | 6437 | | 1807 | | 1.70 | X-935 | | 0305 | GP | .10 |
| 1865616 | 0601 | ED | | .01 | 6439 | | 1807 | | .40 | X-967 | | 0305 | GP | .48 |
| 1865656 | 0603 | ED | # | | 6443 | | 1807 | | .24 | X-1006 | | 0305 | GP | .02 |
| 1866139 | 0601 | ED | | .10 | 6446-2 | | 2310 | | 15.00 | X-1125 | | 0305 | GP | .05 |
| 1866487 | 0601 | ED | | .05 | 6577-1 | | 1807 | | .16 | | | | | |
| 1866952 | 0603 | ED | | 1.00 | 6916-6 | | 1807 | | 1.68 | | | | | |
| 1866955 | 0603 | ED | # | | 6916-7 | | 1807 | | 1.54 | | | | | |
| 1866970 | 0601 | ED | | .01 | 7056-7-10 | | 1807 | | .70 | | | | | |
| 1868729 | 0601 | ED | | .50 | 7415-1B | | 1807 | | 43.80 | STROMBERG - BENDIX PRODUCTS DIVISION OF BENDIX AVIATION CORPORATION | | | | |
| 1868744 | 0601 | ED | | 4.50 | 7415-1C | | 1807 | | 14.04 | P-26 | | 0301 | CS | .20 |
| 1868746 | 0601 | ED | | .50 | 7415-1D | | 1807 | | 28.80 | P-285 | | 0301 | CS | .05 |
| 1868747 | 0601 | ED | | .10 | 7415-1E | | 2310 | | .60 | P-1693 | | 0301 | CS | .01 |
| 1869704 | 0603 | ED | | .45 | 7416-1B | | 1807 | | 43.80 | P-3157 | | 0301 | CS | .02 |
| 1869751 | 0601 | ED | | .35 | 7416-1C | | 1807 | | 14.04 | P-3292 | | 0301 | CS | .10 |
| 1871838 | 0603 | ED | | .05 | 7416-1D | | 1807 | | 28.80 | P-3881 | | 0301 | CS | .05 |
| 1872056 | 0601 | ED | 30.25 | | 7416-1E | | 2310 | | .60 | P-5364 | | 0301 | CS | .05 |
| 1872459 | 0601 | ED | | .01 | 7417-1B | | 1807 | | 44.10 | P-5636 | | 0301 | CS | .02 |
| 1872670 | 0601 | ED | | .15 | 7417-1C | | 1807 | | 14.04 | P-6855 | | 0301 | CS | .02 |
| 1873290 | 0603 | ED | | 4.50 | 7417-1D | | 1807 | | 28.80 | P-7098 | | 0301 | CS | .05 |
| 1874169 | 0601 | ED | | 4.50 | 7417-1E | | 2310 | | .64 | P-9745 | | 0301 | CS | .05 |
| 1877917 | 0601 | ED | | .10 | 7418-1B | | 1807 | | 45.90 | P-11572 | | 0301 | CS | .01 |
| 1877941 | 0601 | ED | | 2.50 | 7418-1C | | 1807 | | 14.04 | P-12251 | | 0301 | CS | .45 |
| 1877949 | 0601 | ED | | .25 | 7418-1D | | 1807 | | 28.80 | P-12530 | | 0301 | CS | .10 |
| 1878018 | 0601 | ED | | .02 | 7418-1E | | 2310 | | .48 | P-12780 | | 0301 | CS | .05 |
| 1878467 | 0601 | ED | | .25 | 7420-1 | | 2310 | | 140.82 | P-12958 | | 0301 | CS | .25 |
| 1878499 | 0601 | ED | | .02 | 7420-2 | | 2310 | | 51.00 | P-13046 | | 0301 | CS | .05 |
| 1878500 | 0601 | ED | | .10 | 7420-4C | | 2310 | | 51.00 | P-13498-K1 | | 0301 | CS | .95 |
| 1878501 | 0601 | ED | | .05 | 7420-4T | | 2310 | | 162.60 | P-14160 | | 0301 | CS | .03 |
| 1878502 | 0601 | ED | | .02 | 7420-7-C | | 2310 | | 51.00 | P-14334 | | 0301 | CS | .35 |
| 1878503 | 0601 | ED | | .02 | 7420-7-T | | 2310 | | 198.00 | P-14364 | | 0301 | CS | .02 |
| 1878504 | 0601 | ED | | .02 | 7421-13 | | 1807 | | 2.64 | P-14618 | | 0301 | CS | .05 |
| 1878505 | 0601 | ED | | .02 | 7422-1 | | 2310 | | 5.50 | P-14745 | | 0301 | CS | .05 |
| 1878506 | 0601 | ED | | .02 | 7422-2 | | 2310 | | 5.10 | P-15259 | | 0301 | CS | .05 |
| 1878510 | 0601 | ED | | .10 | 7422-3 | | 2310 | | 3.60 | P-15278 | | 0301 | CS | .70 |
| 1878514 | 0601 | ED | | .20 | 7422-4 | | 2310 | | 3.54 | P-15384 | | 0301 | CS | .55 |
| 1878516 | 0601 | ED | | .02 | 7422-5 | | 2310 | | 3.00 | P-15396 | | 0301 | CS | .40 |
| 1878517 | 0601 | ED | | .02 | 7422-6 | | 2310 | | 3.00 | P-15458 | | 0301 | CS | .02 |
| 1878575 | 0601 | ED | | .30 | 7422-7 | | 2310 | | 3.60 | P-15459 | | 0301 | CS | .05 |
| 1878844 | 0601 | ED | | 2.75 | 7422-8 | | 2310 | | 3.54 | P-15817 | | 0301 | CS | .05 |
| 1879296 | 0601 | ED | | 2.75 | 7429 | | 1807 | | 1.10 | P-15831 | | 0301 | CS | .03 |
| 1879353 | 0601 | ED | | .30 | 7430 | | 1807 | | .50 | P-16064 | | 0301 | CS | .55 |
| 1879662 | 0601 | ED | | .02 | 7432 | | 1807 | | 4.10 | P-16161 | | 0301 | CS | .05 |
| 1879663 | 0601 | ED | | .05 | 7433 | | 1807 | | 1.90 | P-16320 | | 0301 | CS | .35 |
| 1879688 | 0601 | ED | | .01 | 7434-1 | | 1807 | | 8.04 | P-16760 | | 0301 | CS | .05 |
| 1880572 | 0601 | ED | | 4.50 | 7434-1A | | 1807 | | 8.04 | P-16761 | | 0301 | CS | .25 |
| 1880635 | 0601 | ED | | .05 | 7434-2 | | 1807 | | 8.04 | P-16762 | | 0301 | CS | .25 |
| 1880642 | 0602 | ED | | .05 | 7434-3 | | 1807 | | 9.84 | P-16763 | | 0301 | CS | .15 |
| 1882440 | 0603 | ED | | .15 | 7434-4 | | 1807 | | 9.84 | P-16764 | | 0301 | CS | .05 |
| 1883391 | 0603 | ED | | .10 | 7434-5 | | 1807 | | 10.86 | P-16766 | | 0301 | CS | .05 |
| 1884136 | 0603 | ED | | .10 | 7434-6 | | 1807 | | 10.86 | P-16796 | | 0301 | CS | 1.05 |
| 1885726 | 0601 | ED | | 30.25 | 7446-7-10 | | 1807 | | .72 | P-16795 | | 0301 | CS | .70 |
| 5024654 | 0601 | ED | | 30.25 | | | | | | P-16799 | | 0301 | CS | .85 |
| | 0603 | ED | | .03 | PIERCE GOVERNOR COMPANY | | | | | P-16807 | | 0301 | CS | .10 |
| KING-SEELEY CORPORATION | | | | | A-2059 | | 0305 | GP | 5.15 | P-16844 | | 0301 | CS | .10 |
| H 6321 | | 0305 | GH | .05 | A-2060 | | 0305 | GP | 5.35 | P-16845 | | 0301 | CS | 1.30 |
| 21035 | | 0305 | GH | .15 | A-2062 | | 0305 | GP | 1.86 | P-16848 | | 0301 | CS | .25 |
| 21124 | | 0305 | GH | .02 | A-2063 | | 0305 | GP | 9.05 | P-16849 | | 0301 | CS | .10 |
| 22027 | | 0305 | GH | .005 | A-2291 | | 0305 | GP | .80 | P-16850 | | 0301 | CS | .02 |
| 22031 | | 0305 | GH | .05 | G-2692 | | 0305 | GP | .85 | P-16863 | | 0301 | CS | 1.45 |
| 22032 | | 0305 | GH | .15 | G-2789 | | 0305 | GP | .70 | P-17250 | | 0301 | CS | 1.45 |
| 22107 | | 0305 | GH | .05 | G-2807 | | 0305 | GP | .80 | P-17282 | | 0301 | CS | 1.00 |
| 22108 | | 0305 | GH | .05 | G-3034 | | 0305 | GP | 1.00 | P-17287 | | 0301 | CS | .40 |
| 22110 | | 0305 | GH | .005 | G-3167 | | 0305 | GP | .20 | P-17496 | | 0301 | CS | .10 |
| 22311 | | 0305 | GH | .25 | G-3757 | | 0305 | GP | 1.80 | P-17498 | | 0301 | CS | 1.60 |
| 23887 | | 0305 | GH | .40 | G-3771 | | 0305 | GP | .55 | P-17499 | | 0301 | CS | .20 |
| 23900 | | 0305 | GH | .05 | G-3775 | | 0305 | GP | 2.75 | P-17500 | | 0301 | CS | .25 |
| 23928 | | 0305 | GH | .25 | G-3890 | | 0305 | GP | 5.70 | P-17515 | | 0301 | CS | .50 |
| 24566 | | 0305 | GH | .02 | G-3891 | | 0305 | GP | 3.90 | P-17517 | | 0301 | CS | 1.20 |
| 24891 | | 0305 | GH | .75 | G-3892 | | 0305 | GP | .50 | P-17801 | | 0301 | CS | 1.35 |
| 24903 | | 0305 | GH | .40 | G-3894 | | 0305 | GP | 1.10 | P-18299 | | 0301 | CS | .02 |
| 24915 | | 0305 | GH | .05 | G-3897 | | 0305 | GP | .30 | P-18552 | | 0301 | CS | .05 |
| 25072-9 | | 0305 | GH | .55 | G-4356 | | 0305 | GP | .03 | P-18769 | | 0301 | CS | .03 |
| | | | | | G-6200 | | 0305 | GP | .60 | P-18772 | | 0301 | CS | .01 |
| | | | | | G-6594 | | 0305 | GP | 1.60 | P-18811 | | 0301 | CS | 1.10 |
| | | | | | G-6631 | | 0305 | GP | .50 | P-18857 | | 0301 | CS | 1.15 |
| | | | | | | | | | | P-18927 | | 0301 | CS | .05 |

— Price furnished on application.

* — Indicates part is also used on commercial Vehicles.

NUMERICAL INDEX AND PRICE SECTION

| Code | Part No. | Gov't Group | Disc. Code | List Price | Code | Part No. | Gov't Group | Disc. Code | List Price | Code | Part No. | Gov't Group | Disc. Code | List Price |
|--|----------|-------------|------------|------------|------|----------|-------------|------------|------------|------|----------|-------------|------------|------------|
| STROMBERG - BENDIX PRODUCTS DIVISION OF BENDIX AVIATION CORPORATION (Cont'd) | | | | | | | | | | | | | | |
| P-19892 | | 0301 | CS | .65 | | | | | | | | | | |
| P-19901 | | 0301 | CS | .25 | | | | | | | | | | |
| P-19911 | | 0301 | CS | .05 | | | | | | | | | | |
| P-19977 | | 0301 | CS | .75 | | | | | | | | | | |
| P-19995 | | 0301 | CS | .25 | | | | | | | | | | |
| P-20216 | | 0301 | CS | .90 | | | | | | | | | | |
| P-20235 | | 0301 | CS | .01 | | | | | | | | | | |
| P-20454 | | 0301 | CS | .05 | | | | | | | | | | |
| P-21372 | | 0301 | CS | .05 | | | | | | | | | | |
| P-21756 | | 0301 | CS | .95 | | | | | | | | | | |
| P-21758 | | 0301 | CS | 1.00 | | | | | | | | | | |
| P-22470 | | 0301 | CS | 1.35 | | | | | | | | | | |
| P-22702 | | 0301 | CS | .50 | | | | | | | | | | |
| P-22713 | | 0301 | CS | .01 | | | | | | | | | | |
| P-23135 | | 0301 | CS | .50 | | | | | | | | | | |
| P-23137 | | 0301 | CS | .10 | | | | | | | | | | |
| P-23143 | | 0301 | CS | .10 | | | | | | | | | | |
| P-23415 | | 0301 | CS | 1.20 | | | | | | | | | | |
| P-24573 | | 0301 | CS | # | | | | | | | | | | |
| P-24867 | | 0301 | CS | # | | | | | | | | | | |
| P-24903 | | 0301 | CS | # | | | | | | | | | | |
| P-24904 | | 0301 | CS | # | | | | | | | | | | |
| 382066 | | 0301 | CS | 1.35 | | | | | | | | | | |
| TRICO PRODUCTS CORPORATION | | | | | | | | | | | | | | |
| 56 | | 1801 | WT | # | | | | | | | | | | |
| 88 | | 1801 | WT | .05 | | | | | | | | | | |
| 89 | | 1801 | WT | .05 | | | | | | | | | | |
| 484 | | 1801 | WT | .10 | | | | | | | | | | |
| 848 | | 1801 | WT | .20 | | | | | | | | | | |
| 1721 | | 1801 | WT | .05 | | | | | | | | | | |
| 1722 | | 1801 | WT | .10 | | | | | | | | | | |
| 1878-13-R | | 1801 | WT | # | | | | | | | | | | |
| 2255-1 | | 1801 | WT | # | | | | | | | | | | |
| 2256-J | | 1801 | WT | .05 | | | | | | | | | | |
| 56301 | | 1801 | WT | 4.50 | | | | | | | | | | |
| 75072C | | 1801 | WT | .15 | | | | | | | | | | |
| 76570-59-X | | 1801 | WT | .80 | | | | | | | | | | |
| L-778-32-X | | 1801 | WT | .50 | | | | | | | | | | |
| SP-1064A | | 1801 | WT | # | | | | | | | | | | |
| UNITED AIR CLEANER COMPANY | | | | | | | | | | | | | | |
| 8453 | | 0301 | CU | # | | | | | | | | | | |
| 9155 | | 0301 | CU | # | | | | | | | | | | |
| A-7019 | | 0301 | CU | # | | | | | | | | | | |
| A-7022 | | 0301 | CU | .03 | | | | | | | | | | |
| A-7156 | | 0301 | CU | .06 | | | | | | | | | | |
| A-7274 | | 0301 | CU | # | | | | | | | | | | |
| A-7317 | | 0301 | CU | .05 | | | | | | | | | | |

— Price furnished on application.

* — Indicates part is also used on commercial Vehicles.

ALPHABETICAL INDEX

| Description | QMC Group | Part. No. | Description | QMC Group | Part. No. |
|--|--------------|------------|--|--------------|-------------|
| Adapter, Air Cleaner | 0301 | 27MD118 | Armature | 0601 | 1872056 |
| Adapter, Air Cleaner | 0301 | 27MD119 | Armature | 0601 | 1885726 |
| Adapter, Compressor Air Cleaner | 1213 | 22GB22A | Armature, Current Regulator | 0601 | 1879353 |
| Adapter, Heat Indicator | 0502 | 15EH313-24 | Armature, Relay | 0601 | 1878467 |
| Adapter, Rear Brake Tube & Hose | 1209 | 63AX607 | Armature, Voltage Regulator | 0601 | 1878575 |
| Adjuster, Drag Link Bearing | 1401 | 10CG339-4 | Axle, Front | 1001 | 3QH312 |
| Adjuster, Drag Link Bearing | 1401 | 10CG339-5 | Axle Assembly, Front | 1000 | 1QHA424P1 |
| Adjuster Assembly, Front Slack | 1203 | 25QDA28-P1 | Axle Assembly, Front | 1000 | 1QHA423P1 |
| Adjuster, Rear Brake Slack | 1203 | 25QDA21AP1 | Axle Assembly, Rear | 1100 | 4QFA520P2 |
| Alemite, Front Brake Cam Shaft Bracket | 1203 | 44AX62 | Axle Assembly, Rear | 1100 | 4QFA1387P10 |
| Alemite, Rear Brake Cam Shaft | 1203 | 44AX62 | Axle Assembly, Rear | 1100 | 4QFA515P2 |
| Alemite, Steering Knuckle | 1007 | 44AX65 | Axle Assembly, Rear | 1100 | 4QFA526P2 |
| Ammeter | 0605 | 15EJ329-6 | Axle Assembly, Rear | 1100 | 4QFA527P2 |
| Angle, Fender Support LH | 1701 | 15EH453 | Axle Assembly, Rear | 1100 | 4QFA1387P4 |
| Angle, Fender Support RH | 1701 | 15EH452 | Baffle, Compressor Air Cleaner | 1213 | 215207 |
| Angle, Frame Reinforcing | 1506 | 1RU2135 | Ball, Foot Valve Steel | 1213 | 204800 |
| Angle, Frame Reinforc- ing LH | 1506 | 37QL296 | Ball, Front Slack Ad- juster Worm | 1203 | 48AX6 |
| Angle, Frame Reinforc- ing RH | 1506 | 37QL295 | Ball, Hand Control Valve Poppet Steel | 1213 | 201327 |
| Angle, Gas Tank Support Tie | 0304 | 2EB214 | Ball, Interlock | 0706 | 48AX12 |
| Angle, Rear Mounted Air Reservoir Support | 1213 | 41RU1238 | Ball, Lead | 0301 | P18772 |
| Anti-squeak, Air Cleaner Shroud | 0301 | 274AX26 | Ball, Relay Valve Steel | 1213 | 201648 |
| Anti-squeak, Cowl Mounting | 1803 | 15EH177 | Ball, Shifter Lever | 0706 | 8AB1133A |
| Anti-squeak, Cowl Mounting | 1803 | 2RU11 | Ball, Shifter Shaft | 0706 | 48AX11 |
| Anti-squeak, Cowl Mounting | 1800 | 2RU11 | Ball, Slack Adjuster Worm Lock | 1203 | 48AX6 |
| Anti-squeak, Fender | 1701 | 302AX40 | Ball, Steering Lever | 1007 | 10QC17 |
| Anti-squeak, Instrument Board | 1800 | 298AX4 | Ball & Screw | 0302 | 854016 |
| Anti-squeak, Instrument Board to Cowl | 1800 | 298AX4 | Band, Commutator Cover | 0602 | 817114 |
| Apron, Running Board LH | 1702 | 33QM34 | Band, Commutator Cover | 0601 | 1869751 |
| Apron, Running Board LH | 1702 | 33QM454 | Band Assembly, Emer- gency Brake | 1201 | 3MWA34P1 |
| Apron, Running Board RH | 1702 | 33QM33 | Bar, Front Bumper Back | 2101 | 22SW22 |
| Apron, Running Board RH | 1702 | 33QM442 | Bar, Front Bumper Back | 2101 | 22SW30 |
| Arm, Clamp | 0603 | 1841944 | Bar, Front Bumper Front | 2101 | 21SW20 |
| Arm Assembly, Wiper | 1801 | 76570-59-X | Bar, Front Bumper Front | 2101 | 21SW35 |
| Arm, Rocker | 0302 | 1523610 | Bar, Tailgate Latch | 1807 | 7430 |
| Arm, Steering LH | 1007 | 5QH31P2 | Base & Bracket Assembly, Lamp | 0605 | 15EH313-11 |
| Arm, Steering RH | 1007 | 5QH32P2 | Battery | 2309 | 2MK141P2 |
| Armature | 0602 | 818002 | Bearing | 1507 | 16ST379-5 |
| | | | Bearing Auxiliary Spigot | 0704 | 46AX320 |
| | | | Bearing, Auxiliary Spline Shaft | 0704 | 46AX318 |
| | | | Bearing, Ball | 0601 | 46AX7 |
| | | | Bearing, Ball | 0601 | 46AX8 |
| | | | Bearing, Bevel Pinion Spigot | 1104 | 67AX119 |
| | | | Bearing, Camshaft | 0106 | 59GB124A |
| | | | Bearing, Camshaft | 0106 | 59GB126A |

ALPHABETICAL INDEX

| Description | QMC Group | Part. No. | Description | QMC Group | Part. No. |
|---|--------------|------------|--|--------------|------------|
| Bearing, Camshaft | 0106 | 59GB126A | Blade & Hook Assembly, | | |
| Bearing, Camshaft | 0106 | 59GB137A | Wiper | 1801 | L-778-32-X |
| Bearing, Center | 0903 | 46AX51 | Bleeder, H.B. #65 | 0301 | P14334 |
| Bearing, Center | 0903 | 46AX348 | Bleeder, H.S. #70 | 0301 | P16320 |
| Bearing Assembly, Center | 0903 | 9CJA111 | Block, Dummy Coupling | 1211 | 47RU195 |
| Bearing Assembly, Center | 0903 | 35MUA15 | Block, Fuse (14 Amp.) | 0606 | 10MB17 |
| Bearing, Center Main | 0102 | 64GB2395A | Block, Fuse (30 Amp.) | 0606 | 10MR18 |
| Bearing, Center Main | 0102 | 64GB2396A | Block, Junction | 0606 | 71MR13 |
| Bearing, Center Main | 0102 | 64GB2397A | Block, Junction | 0606 | 71MR15 |
| Bearing, Clutch Throw- out Collar | 0203 | 46AX323 | Blocks, Rubber | 1507 | 16ST379-8 |
| Bearing, Compressor Crankshaft | 1213 | 46AX14 | Block, Steel Filler (Longitudinal) | 1807 | 7056-7-10 |
| Bearing, Compressor Drive (Front) | 0112 | 46AX200 | Block, Steel Filler (Longitudinal) | 1807 | 7446-7-10 |
| Bearing, Compressor Drive (Rear) | 0112 | 46AX64 | Board, Floor | 1802 | 19QR362 |
| Bearing, Connecting Rod | 0104 | 62GB227A | Board, Floor | 1802 | 19QR363 |
| Bearing, Countershaft Front | 0704 | 67AX150 | Board, Floor | 1802 | 19QR381 |
| Bearing, Drag Link | 1401 | 10CG339-2 | Board Assembly, Floor | 1802 | 18QRA36 |
| Bearing, Front Main | 0102 | 64GB2377A | Board, Instrument | 1800 | 37QR229 |
| Bearing, Governor Drive Shaft (Lower) Thrust | 0305 | X-339 | Board, Instrument | 1800 | 37QR235 |
| Bearing, Governor Drive Shaft (Upper) Thrust | 0305 | X-317 | Board, Instrument | 1800 | 37QR529P1 |
| Bearing, Intermediate Main | 0102 | 64GB2359A | Board, Instrument | 1800 | 37QR530 |
| Bearing, Main Drive Pinion | 0703 | 46AX302 | Board, Running | 1703 | 15EH396 |
| Bearing, Main Drive Pinion | 0703 | 46AX322 | Board, Running | 1703 | 30QM411 |
| Bearing Assembly, Needle | 0902 | 9BGS47A | Board, Running | 1703 | 15EH395 |
| Bearing Assembly, Needle | 0902 | 9BGS48 | Board, Running | 1703 | 30QM410 |
| Bearing, Pilot | 0205 | 46AX310 | Board, Toe | 1802 | 20QR338 |
| Bearing, Rear Main | 0102 | 64GB2413A | Board, Toe | 1802 | 20QR339 |
| Bearing, Reverse Gear | 0704 | 67AX132 | Board, Toe | 1802 | 20QR342 |
| Bearing, Reverse Gear | 0704 | 67AX149 | Board, Toe | 1802 | 20QR343 |
| Bearing Assembly, Roller | 0305 | 24891 | Board Assembly, Toe | 1802 | 17QRA36P1 |
| Bearing, Spigot | 0704 | 67AX148 | Board Assembly, Toe | 1802 | 17QRA36P2 |
| Bearing, Spline Shaft Rear | 0704 | 46AX303 | Board, Toe & Floor | 1802 | 42QRA37 |
| Bearing, Spline Shaft Rear | 0703 | 46AX319 | Body | 0302 | 1523355 |
| Bearing, Spline Shaft Rear | 0704 | 46AX321 | Body, Compressor Air Cleaner | 1213 | 204019 |
| Bearing, Steering Knuckle Thrust | 1007 | 47AX29 | Body, Compressor Crank- case | 1213 | 202919 |
| Bearing, Water Pump (Fr) | 0503 | 46AX304 | Body, Compressor Cylinder | 1213 | 203448 |
| Bearing, Water Pump (Rr) | 0503 | 46AX305 | Body Complete, Compres- sor Cylinder Head | 1213 | 217491 |
| Belt, Fan & Generator | 0601 | 88GBC330P2 | Body, Compressor Cylinder Head | 1213 | 212340 |
| Belt, Fan & Generator | 0503 | 88GB330P32 | Body Assembly, Double Check Valve | 1213 | 217697 |
| Bezel, Gauge Cluster Glass | 0605 | 15EH1313-5 | Body, Foot Valve | 1213 | 216283 |
| | | | Body, Front Brake Chamber Yoke | 1213 | 202797 |
| | | | Body, Governor | 0305 | G-3890 |
| | | | Body, Governor Strainer | 1213 | 201780 |
| | | | Body, Governor Vacuum Spark Control Valve | 0305 | 21SB13 |
| | | | Body Assembly, Governor | 1213 | 205470 |
| | | | Body, Hand Control Valve | 1213 | 203252 |

ALPHABETICAL INDEX

| Description | QMC Group | Part. No. | Description | QMC Group | Part. No. |
|--|--------------|-----------|---|--------------|-----------|
| Body, Inlet Valve (Foot Valve) | 1213 | 212362 | Bolt, Center Bearing End Cover | 0903 | 1AX238 |
| Body, Main | 0301 | P24904 | Bolt, Center Bearing Mounting | 0903 | 1AX202 |
| Body Assembly, Main | 0301 | P24573 | Bolt, Center Bearing Support | 0901 | 1AX140 |
| Body, Relay Valve | 1213 | 216071 | Bolt, Check Valve Mounting | 1211 | 1AX126 |
| Body, Safety Valve | 1213 | 201609 | Bolt, Check Valve Tube Clamp | 1211 | 1AX35 |
| Body, Stoplight Switch | 0606 | 203380 | Bolt, Clutch & Brake Pedal Bracket Mounting | 0204 | 1AX23 |
| Body, Throttle | 0301 | P24903 | Bolt, Clutch & Brake Pedal Bracket Mounting | 0204 | 1AX24 |
| Body Assembly, Throttle | 0301 | P24867 | Bolt, Clutch Pedal Clamp | 0204 | 1AX13 |
| Body & Bushing Assembly, Rear Brake Slack Adjuster | 1203 | 28QDA37P2 | Bolt, Clutch Release Pedal Shaft Lever | 0204 | 1AX34 |
| Body & Tube, Governor | 1213 | 205471 | Bolt, Compressor Base Cover | 2013 | 203366 |
| Bolt, Accelerator Pedal Bracket | 0303 | 11AX1 | Bolt, Compressor Connecting Rod | 1213 | 202893 |
| Bolt, Accelerator Shaft Bracket Mounting | 0303 | 1AX8 | Bolt, Cowl Mounting | 1803 | 1AX138 |
| Bolt, Accelerator Shaft Bracket Mounting | 0303 | 8AX160 | Bolt, Cowl Mounting | 1800 | 1AX138 |
| Bolt, Air Cleaner Pipe Bracket | 0301 | 1AX73 | Bolt, Cowl Mounting | 1803 | 1AX41 |
| Bolt, Air Cleaner Pipe Bracket | 0301 | 1AX33 | Bolt, Cowl Support Bracket | 1506 | 1AX35 |
| Bolt, Auxiliary Case Dowel | 0701 | 90KB12 | Bolt, Cross Steering Tube Clamp | 1402 | 1AX39 |
| Bolt, Battery Clamp | 1803 | 1AX35 | Bolt, Differential Casing | 1103 | 3AX558 |
| Bolt, Battery Cradle Mounting | 1803 | 1AX33 | Bolt, Differential Casing Cover | 1103 | 8AC115A |
| Bolt, Battery Cradle Mounting | 1803 | 1AX230 | Bolt, Double Check Valve Hex. Head | 1213 | 212207 |
| Bolt, Bearing Cap | 0902 | 9AXS68 | Bolt, Drive Flange | 0901 | 3AX704 |
| Bolt, Bearing Cap | 0902 | 9BXS8 | Bolt, Drive Flange | 0901 | 3AX977 |
| Bolt, Brake Chamber Mounting | 1213 | 1AX145 | Bolt, Drive Shaft | 0901 | 3AX706 |
| Bolt, Brake Cylinder | 1205 | 1AX112 | Bolt, Drive Shaft | 0901 | 1AX275 |
| Bolt, Cab & Apron Support Mounting | 1702 | 75AX249 | Bolt, Drive Shaft Guard | 0901 | 1AX35 |
| Bolt, Cab & Apron Support Mounting | 1702 | 6AX236 | Bolt, Drive Shaft Guard | 0901 | 1AX42 |
| Bolt, Cab Cowl & Apron Mounting | 1800 | 6AX490 | Bolt, Drive Shaft Guard Support | 0901 | 1AX113 |
| Bolt, Cab Cowl & Apron Mounting | 1702 | 6AX490 | Bolt, Dust Pan | 1702 | 1AX33 |
| Bolt, Cab Door Channel | 1506 | 1AX35 | Bolt, Emergency Brake Adjusting | 1201 | 55MW12-P2 |
| Bolt, Cab Rear Mounting | 1803 | 1AX225 | Bolt, Emergency Brake Band Support | 1201 | 6AX92 |
| Bolt, Cab Support Channel | 1506 | 3AX85 | Bolt, Emergency Brake Cross Shaft Leven | 1201 | 1AX34 |
| Bolt, Cab Support Channel | 1506 | 3AX527 | Bolt, Emergency Brake Hand Lever Mounting Bracket | 1201 | 1AX35 |
| Bolt, Carriage (5/16" x 1-1/2") | 1807 | 11AX1 | Bolt, Emergency Brake Hand Lever Mounting Bracket | 1201 | 1AX17 |
| Bolt, Center Bearing End Cover | 0901 | 1AX407 | | | |
| Bolt, Center Bearing End Cover | 0903 | 1AX407 | | | |

ALPHABETICAL INDEX

| Description | QMC Group | Part. No. | Description | QMC Group | Part. No. |
|--|--------------|-----------|---|--------------|--------------|
| Bolt, Emergency Brake Hand Lever Sector | 1201 | 21SZ50 | Bolt, Front Spring Center | 1601 | 13AKM75 |
| Bolt, Emergency Brake Lever | 1201 | 4AX3 | Bolt, Front Spring Center | 1601 | 13BCM75 |
| Bolt, Engine Front Support | 0110 | 1AX140 | Bolt, Front Spring Center | 1601 | 13BGM103 |
| Bolt, Engine Front Support & Cap | 0110 | 1AX145 | Bolt, Front Spring Front Bracket Cap | 1503 | 4AX238 |
| Bolt, Engine Rear Support Mounting | 0110 | 1AX117 | Bolt, Front Spring Rear Bracket Cap | 1503 | 4AX8 |
| Bolt, Engine Stay Bracket Adjusting | 0110 | 6AX528 | Bolt, Front Spring Rear Bracket Cap | 1503 | 4AX108 |
| Bolt, Exhaust Pipe Flange | 0402 | 4AX74 | Bolt, Front Spring Rear Bracket Cap | 1503 | 4AX114 |
| Bolt, Exhaust Pipe Flange | 0402 | 4AX238 | Bolt, Front Spring Rebound Clip | 1601 | 13ABM2303 |
| Bolt, Exhaust Pipe Flange | 0402 | 6AX420 | Bolt, Gas Line Support Bracket to Frame | 0304 | 1AX111 |
| Bolt, Fan Mounting | 0503 | 1AX24 | Bolt, Gas Mounting | 0304 | 1AX42 |
| Bolt, Fan Shroud Mounting | 0501 | 4AX221 | Bolt, Gas Tank Support | 0304 | 6AX447 |
| Bolt, Fender & Apron Mounting | 1701 | 1AX73 | Bolt, Gas Tank Support | 0304 | 3AX847 |
| Bolt, Fender & Apron Mounting | 1701 | 11AX28 | Bolt, Gas Tank Support | 0304 | 1AX75 |
| Bolt, Fender & Apron Mounting | 1701 | 1AX110 | Bolt, Gas Tank Support | 0304 | 1AX27 |
| Bolt, Fender to Bracket | 1504 | 6AX117 | Bolt, Generator Pulley Fan | 0601 | 8AX168 |
| Bolt, Fender to Frame Bracket | 1504 | 1AX230 | Bolt, Generator to Support Bracket Mounting | 0601 | 1AX39 |
| Bolt, Fender & Hood Support Angle | 1701 | 1AX230 | Bolt, Generator to Support Bracket Mounting | 0601 | 1AX90 |
| Bolt, Fender Intermediate | 1701 | 8AX128 | Bolt, Grab Handle | 1800 | 1AX5 |
| Bolt, Fender Support | 1701 | 1AX8 | Bolt, Hand Control Valve Cover to Body | 1213 | 202979 |
| Bolt, Fender Support Angle Mounting | 1704 | 1AX33 | Bolt, Headlamp Bracket | 0607 | 4AX41 |
| Bolt, Fender Support Angle Step | 1704 | 11AX28 | Bolt, Headlamp Foot Control Switch | 0607 | 4AX6 |
| Bolt, Fender Support Bracket & Angle | 1704 | 1AX33 | Bolt, Headlamp Frame Bracket | 0607 | 1AX42 |
| Bolt, Fender Support Bracket Mounting | 1701 | 6AX99 | Bolt, Headlamp Mounting Bracket | 0607 | 1AX126 |
| Bolt, Fender & Support Mounting | 1701 | 1AX33 | Bolt, Helper Spring Center | 1601 | 13ABM749 |
| Bolt, Foot Valve | 1213 | 210058 | Bolt, Hood Eye | 1704 | 69QM11 |
| Bolt, Flywheel | 0109 | 1BG118 | Bolt, Hood Eye | 1704 | 1AX374 |
| Bolt, Front Brake Camshaft Bracket & Dust Shield | 1203 | 1AX231 | Bolt, Hood Latch Clip | 1704 | 4AX76 |
| Bolt, Front Brake Chamber, Hex. Head | 1213 | 203146 | Bolt, Hood Lock Rod Eye | 1704 | 67QM11 |
| Bolt, Front Bumper | 2101 | 1AX62 | Bolt, Hood Mounting | 1704 | 2AX256 |
| Bolt, Front Bumper Center | 2101 | 21SZ42 | Bolt, Hood Support Bracket Mounting | 1704 | 1AX35 |
| Bolt, Front Bumper End | 2101 | 21SZ42 | Bolt, Hood Support Gusset | 1704 | 1AX33 |
| Bolt, Front Fender Support | 1504 | 1AX33 | Bolt, Horn Mounting | 0609 | 1AX161 |
| | | | Bolt, Machine | 1507 | 12ST31000-33 |
| | | | Bolt, Master Cylinder Outlet Fitting | 1205 | 24SK11 |
| | | | Bolt, Mounting | 0607 | CB-394 |
| | | | Bolt, Mounting | 0202 | 4AX4 |
| | | | Bolt, Muffler & Pipe Hanger Clamp | 0401 | 1AX35 |

ALPHABETICAL INDEX

| Description | QMC Group | Part. No. | Description | QMC Group | Part. No. |
|---|--------------|-----------|---|--------------|------------|
| Bolt, Muffler & Pipe Hanger Frame | 0401 | 1AX33 | Bolt, Steering Post Bracket Clamp | 1405 | 130AX273 |
| Bolt, Oven Head Stove (5/16" x 3/4") | 1807 | 21SZ79 | Bolt, Steering Post Bracket Gusset | 1405 | 1AX33 |
| Bolt, Quarter Rear Fender & Bracket | 1701 | 6AX117 | Bolt, Steering Post Bracket Gusset | 1405 | 1AX160 |
| Bolt, Radiator Shield | 0501 | 1AX33 | Bolt, Steering Post Bracket Mounting | 1405 | 1AX19 |
| Bolt, Radiator Support Cross Member Mounting | 0504 | 1AX35 | Bolt, Step Apron Brace | 1702 | 4AX6 |
| Bolt, Radiator Support Cross Member Mounting | 0504 | 1AX42 | Bolt, Step Apron Brace | 1702 | 4AX36 |
| Bolt, Radiator Tie Rod "U" | 0504 | 120AX67 | Bolt, Stop & Tail Light Bracket | 0608 | 1AX19 |
| Bolt, Rear Brake Cam Shaft Bracket | 1203 | 1AX168 | Bolt, Tire Carrier Hold Down | 1505 | 21RE13P6 |
| Bolt, Rear Brake Cham- ber Pressure Plate | 1213 | 203151 | Bolt, Tire Carrier Mounting | 1505 | 1AX230 |
| Bolt, Rear Brake Unit to Axle Flange | 1208 | 1AX263 | Bolt, Thru | 0602 | 809053 |
| Bolt, Rear Brake Unit to Axle Flange | 1208 | 1AX263 | Bolt, Thru | 0601 | 1872670 |
| Bolt, Rear Spring Center | 1601 | 13BGM68 | Bolt, "U" | 1807 | 6916-6 |
| Bolt, Rear Spring Clip Spacer | 1602 | 1AX108 | Bolts, "U" | 1807 | 6383-10 |
| Bolt, Rear Spring Front Bracket Cap | 1503 | 4AX57 | Bolts, "U" | 1807 | 6916-7 |
| Bolt, Rear Spring Re- bound Clip | 1601 | 13ABM2503 | Bolt, Vacuum Booster Mounting Bracket (Fr) | 1210 | 1AX35 |
| Bolt, Rear Spring Re- bound Clip | 1601 | 13BCM142 | Bolt, Vacuum Booster Mounting Bracket (Fr) | 1210 | 3AX87 |
| Bolt, Rear Wheel Cylin- der Inlet Connection | 1207 | 11EHW17 | Bolt, Vacuum Booster Mounting Bracket (Rr) | 1210 | 1AX60 |
| Bolt, Rear Wheel Rim Clamping Lug | 1301 | 6AX460 | Bolt & Nut, Cab & Cowl | 1800 | 11AX63 |
| Bolt, Rim Clamping Lug | 1301 | 6AX60 | Bolt & Nut, Cab & Cowl Connection | 1800 | 11AX6 |
| Bolt, Running Board Apron Mounting | 1703 | 4AX6 | Bolt & Nut, Center Brg. | 0903 | 9CJA111-12 |
| Bolt, Running Board Apron Mounting | 1702 | 6AX236 | Boot, Foot Valve Spring Cage | 1213 | 210061 |
| Bolt, Running Board & Hanger | 1703 | 6AX117 | Boot, Front Brake Cham- ber Push Rod | 1213 | 201687 |
| Bolt, Running Board Spacer Mounting | 1703 | 1AX36 | Boot, Front Wheel Cylinder | 1207 | 11BLH11 |
| Bolt, Running Board Support | 1504 | 1AX35 | Boot, Gear Shift Lever | 1802 | 8MY31 |
| Bolt, Running Board & Support Mounting | 1703 | 1AX33 | Boot, Master Cylinder | 1205 | 10EHW5 |
| Bolt, Spacer | 1507 | 1AX141 | Boot, Rear Brake Cham- ber Push Rod | 1213 | 201687 |
| Bolt, Speedometer Flexible Shaft Clamp | 2203 | 1AX11 | Boot, Rear Wheel Cylinder | 1207 | 11EHW21 |
| Bolt, Spur Gear | 1104 | 11AB157A | Bow (with "D" Strings) | 2310 | 7422-1 |
| Bolt, Starting Mounting | 0602 | 4AX1 | Bows | 2310 | 7422-2 |
| Bolt, Steering Gear Housing Cover | 1403 | 1AX7 | Bowl, Glass | 0302 | 854004 |
| | | | Box, Governor Valve | 0203 | S2B-792 |
| | | | Box Assembly, Governor Valve | 0305 | SVB-1809 |
| | | | Box, Tool | 1806 | 8RC21 |
| | | | Box & Stop Pin Assembly, Governor Valve | 0305 | A-2063 |
| | | | Brace, Booster Valve & Master Cylinder | 1205 | 85QE118 |
| | | | Brace, Booster Valve & Master Cylinder | 1205 | 85QE11 |

ALPHABETICAL INDEX

| Description | QMC Group | Part. No. | Description | QMC Group | Part. No. |
|----------------------------|-----------|------------|--------------------------|-----------|-----------|
| Brace, Step Apron LH | 1702 | 34QM14 | Bracket, Front Spring | | |
| Brace, Step Apron RH | 1702 | 34QM13 | Front LH | 1503 | 53QK44 |
| Bracket | 0603 | 1882440 | Bracket, Front Spring | | |
| Bracket, Accelerator | | | Front LH | 1503 | 53QK431 |
| Retractor Spring | | | Bracket, Front Spring | | |
| Anchor | 0303 | 26QB18 | Front RH | 1503 | 53QK43 |
| Bracket, Accelerator | | | Bracket, Front Spring | | |
| Shaft | 0303 | 10QB15 | Front RH | 1503 | 53QK430 |
| Bracket, Adjusting Link | | | Bracket, Front Spring | | |
| Support | 0601 | 5EH243A | Rear LH | 1503 | 51QK38 |
| Bracket Assembly, Air | | | Bracket, Front Spring | | |
| Chamber & Brake Cam- | | | Rear LH | 1505 | 51QK44 |
| shaft LH | 1203 | 39QDA19-P1 | Bracket, Front Spring | | |
| Bracket, Air Cleaner | | | Rear LH | 1503 | 14BG316A |
| Pipe | 0301 | 6MD126 | Bracket, Front Spring | | |
| Bracket, Booster Hose | | | Rear RH | 1503 | 41QK37 |
| Clamp | 1211 | 77QE17 | Bracket, Front Spring | | |
| Bracket, Booster Hose | | | Rear RH | 1503 | 14BG315A |
| Clamp | 1211 | 77QE16 | Bracket, Front Spring | | |
| Bracket Assembly, | | | Rear RH | 1503 | 51QK43 |
| Booster Valve Support | 1211 | 370563 | Bracket, Gas Line | | |
| Bracket, Brake Chamber | 1213 | 34QE11 | Support | 0304 | 42MB17 |
| Bracket, Brake Shoe | | | Bracket, Gauge Cluster | | |
| Anchor Pin | 1208 | 9QD24 | Mounting | 0605 | 15EH313-6 |
| Bracket, Brush Term. | 0601 | 825186 | Bracket, Generator | | |
| Bracket, Cab Door | | | Support | 0601 | 3MJ237 |
| Window Stop | 1805 | 47QS22 | Bracket, Governor Ad- | | |
| Bracket, Center Brg. | 0903 | 23SJ26 | justing Screw | 1213 | 201520 |
| Bracket, Control Shaft | 1213 | 51QE11 | Bracket, Hand Throttle | | |
| Bracket, Cowl Vent | | | Control | 0303 | 26QB13 |
| Hinge LH | 1800 | 15EH143 | Bracket, Headlamp | 0607 | 5M033 |
| Bracket, Cowl Vent | | | Bracket, Headlamp Frame | | |
| Hinge RH | 1800 | 15EH142 | LH | 0607 | 5EH33 |
| Bracket, Cowl Mounting | 1800 | 14EH349 | Bracket, Headlamp Frame | | |
| Bracket, Cowl Mounting | 1800 | 15EH24A | RH | 0607 | 5EH32 |
| Bracket, Cowl Mounting | 1800 | 15EH23A | Bracket, Helper Spring | 1503 | 14EH22 |
| Bracket, Cowl Support | 1506 | 14EH349 | Bracket, Helper Spring | 1503 | 49QK21 |
| Bracket, Cowl Support | 1506 | 15EH24A | Bracket, Hood Anchor | 1704 | 68QM11 |
| Bracket, Cowl Support | 1506 | 15EH23A | Bracket, Hood Center | | |
| Bracket, Distributor | 0603 | 132GB21A | Bumper | 1704 | 15EH184A |
| Bracket, Emergency | | | Bracket, Hood Eye Bolt | 1704 | 70QM11 |
| Brake Hand Lever | | | Bracket, Hood Hinge | | |
| Mounting | 1201 | 62MW34 | Bottom Frt. & Rr. | 1704 | 15EH1119 |
| Bracket, Emergency | | | Bracket, Hood Hinge | | |
| Brake Mounting Shaft | 1201 | 10MW215 | Top Frt. & Rr. | 1704 | 15EH1190 |
| Bracket, Engine Rear | | | Bracket, Hood Support RH | 1704 | 15EH3103 |
| Support Frame | 0110 | 14EH31A | Bracket, Hood Support RH | 1704 | 15EH3104 |
| Bracket, Engine Rear | | | Bracket, Horn Mounting | 0609 | 35MRA120 |
| Support Frame | 0110 | 14EH351 | Bracket, Manual Throttle | | |
| Bracket RH, Engine Rear | | | Control Wire Tube | 0303 | 174GB11 |
| Support Frame | 0110 | 14EH350 | Bracket, Manual Throttle | | |
| Bracket, Engine Stay | 0110 | 73QL22 | Control Wire Tube | 0303 | 174GB12 |
| Bracket, Engine Stay | 0110 | 73QL24 | Bracket Assembly, Rear | | |
| Bracket, Fender Support | | | Air Brake Chamber & | | |
| LH | 1701 | 19QM42 | Brake Camshaft | 1203 | 39QDA18P1 |
| Bracket, Fender Support RH | 1701 | 19QM41 | | | |

ALPHABETICAL INDEX

| Description | QMC Group | Part. No. | Description | QMC Group | Part. No. |
|---|--------------|------------|--|--------------|------------|
| Bracket, Rear Brake Tube & Hose | 1209 | 10EH136 | Bracket, Valve Lifter | 0105 | 1BG315A |
| Bracket, Rear Quarter (Lower) LH | 1504 | 15EH237A | Bracket & Bushing Assembly, Clutch & Brake Pedal | 0204 | 10EMA16 |
| Bracket, Rear Quarter (Lower) RH | 1504 | 15EH236A | Bracket & Bushing Assembly, Clutch & Brake Pedal | 0204 | 10MXA11 |
| Bracket, Rear Quarter (Upper) LH | 1504 | 15EH363 | Bracket & Bushing Assembly, Front Brake Cam Shaft | 1203 | 39QDA13 |
| Bracket, Rear Quarter (Upper) RH | 1504 | 15EH362 | Bracket & Bushing Assembly, Rear Brake Cam Shaft | 1203 | 39QDA16 |
| Bracket, Rear Spring Front LH | 1503 | 47QK36 | Brake Assembly, Emerg. | 1201 | 1MWA424-P1 |
| Bracket, Rear Spring Front RH | 1503 | 47QK35 | Breather Assembly | 0701 | 541KBA12 |
| Bracket, Rear Spring Rear LH | 1503 | 48QK36 | Breather, Fuel Pump | 0302 | 2CF183 |
| Bracket, Rear Spring Rear RH | 1503 | 48QK35 | Breather, Rear Axle Housing | 1101 | 541KBA12 |
| Bracket, Seat Back Cushion Support LH Lower | 1800 | 69QS16 | Bridge, Oil Filter | 0107 | 25SB12 |
| Bracket, Seat Back Cushion Support LH Upper | 1800 | 69QS110 | Brush, Main | 0601 | 1838340 |
| Bracket, Seat Back Cushion Support RH Lower | 1800 | 69QS15 | Brush Set | 0602 | 1857960 |
| Bracket, Seat Back Cushion Support RH Upper | 1800 | 69QS19 | Bulb, Dome Lamp | 0608 | 5BG1170 |
| Bracket, Seat Cushion Support (Lower) | 1804 | 69QS17 | Bulb, Instrument Board Light | 0605 | 5AB1590 |
| Bracket, Seat Support LH | 1800 | 130QS38-P1 | Bulb, Instrument Board Light | 0605 | 161SD11 |
| Bracket, Seat Support RH | 1800 | 130QS37-P1 | Bulb, Miniature Bayonet | 0605 | 41M011 |
| Bracket, Seat Support RH Cushion | 1804 | 69QS18 | Bulb, Stop & Tail Lamp | 0608 | 5EH110 |
| Bracket, Steering Gear Frame | 1405 | 14EH224A | Bumper, Cab Door Window Glass Rubber | 1805 | 15EH1187 |
| Bracket, Steering Gear Frame | 1405 | 6QCA12 | Bumper, Door Rubber | 1805 | 54QS12 |
| Bracket, Steering Post | 1405 | 4QC222 | Bumper Complete, Front | 2101 | 24QL328 |
| Bracket, Steering Post | 1405 | 4QC224 | Bumper Complete, Front | 2101 | 24QL342 |
| Bracket, Step (Front) | 1703 | 32QM221 | Bumper, Front Spring | 1602 | 13EH11 |
| Bracket, Step (Rear) | 1703 | 15EH2126 | Bumper Hood Center | 1704 | 15EH185 |
| Bracket, Stop & Tail Lamp | 0608 | 5EH25 | Bumper, Rear Axle | 1602 | 11EH113 |
| Bracket, Support | 1507 | 22SX13 | Bushing, Air Chamber & Rear Brake Camshaft Bracket | 1203 | 80AX221 |
| Bracket, Tail Light Mounting | 0608 | 5BG3130 | Bushing, Air Compressor Unloader Valve | 1213 | 203045 |
| Bracket, Vacuum Booster Mounting | 1210 | 6QE322 | Bushing, Auxiliary Spline Shaft Gear | 0704 | 80AX320 |
| Bracket, Vacuum Booster Mounting (Front) | 1210 | 6QE323 | Bushing, Brake Pedal | 1204 | 80AX129 |
| Bracket, Vacuum Booster Mounting (Rear) | 1210 | 6QE312A | Bushing, Brush Holder Stud | 0601 | 825185 |
| | | | Bushing, Brush Holder Stud & Screw Ins. | 0601 | 825190 |
| | | | Bushing, Clutch & Brake Pedal | 0204 | 80AX141 |
| | | | Bushing, Compressor Connecting Rod Wrist Pin | 1213 | 202988 |
| | | | Bushing, Connecting Rod | 0104 | 1BG13 |
| | | | Bushing, Contact Ins. | 0601 | 1878506 |

ALPHABETICAL INDEX

| Description | QMC Group | Part. No. | Description | QMC Group | Part. No. |
|--|--------------|-----------|--|--------------|-------------|
| Bushing, Differential Casing | 1103 | 36KH12 | Bushing, Terminal Stud Insulation | 0601 | 820523 |
| Bushing, Differential Casing Cover | 1103 | 11EH155 | Bushing, Third Speed Spline Shaft Gear | 0704 | 150KB13 |
| Bushing, Differential Pinion | 1104 | 11CW112A | Bushing, Third Speed Spline Shaft Gear | 0704 | 80AX320 |
| Bushing, Differential Pinion | 1104 | 11EH148 | Button, Distributor Cap Carbon | 0603 | 821604 |
| Bushing, Emergency Brake Cross Shaft Bracket | 1201 | 80AX196 | Button, Foot Valve Spring Cage | 1213 | 210276 |
| Bushing, End Plate | 1210 | BK17028 | Button, Foot Valve Treadle Stop | 1213 | 210191 |
| Bushing, Foot Valve Treadle Lever Pin | 1213 | 210192 | Button, Floor Board Mat Fastener | 1802 | 73AX10 |
| Bushing, Fourth Speed Spline Shaft | 0704 | 80AX349 | Button, Horn | 0609 | 10EJR27 |
| Bushing, Four Speed Spline Shaft Gear | 0704 | 80AX350 | Button, Magnetic Starter | 0605 | 1MR18 |
| Bushing, Front Brake Camshaft | 1203 | 80AX234 | Button, Steering Worm Deflection | 1403 | 10EB122 |
| Bushing, Front Brake Shoe | 1202 | 80AX205 | Buzzer, Low Pressure Indicator | 0606 | 7MR21P1 |
| Bushing, Front Slack Adjuster | 1203 | 80AX206 | Cab & Cowl Service Assembly Complete with Cushions, Toe, Floor & Instrument Board | 1800 | 2QSA412BP1 |
| Bushing, Governor Drive Shaft (Lower) | 0305 | G3771 | Cab & Cowl Service Assembly Complete with Cushions, Toe, Floor & Instrument Boards | 1800 | 2QSA318AP11 |
| Bushing, Governor Drive Shaft (Upper) | 0305 | G2789 | Cab & Cowl Service Assembly Complete with Cushions, Toe, Floor & Instrument Board | 1800 | 2QSA318AP12 |
| Bushing, Jacket Tube | 1403 | 36KF12 | Cab & Cowl Service Assembly, less Cushions, Toe, Floor & Instrument Board | 1800 | 3QSA419AP1 |
| Bushing, Master Cylinder Lever | 1212 | 80AX237 | Cab & Cowl Service Assembly, less Cushions, Toe, Floor & Instrument Board | 1800 | 3QSA419AP23 |
| Bushing, Motor Drive Housing | 0602 | 811230 | Cable, Headlamp Rubber | 0607 | 168AX90 |
| Bushing, Oil Pump Idler Gear | 0107 | 6BG18 | Cable, Speedometer | 2203 | 98AX510 |
| Bushing, Pedal Shaft Bracket | 0204 | 80AX107 | Cable, Speedometer | 2203 | 98AX511 |
| Bushing, Pedal Shaft Bracket | 0204 | 80AX141 | Cable, Speedometer | 2203 | 98AX509 |
| Bushing, Rear Brake Camshaft Bracket | 1203 | 80AX220 | Cable, Speedometer | 2203 | 98AX522 |
| Bushing, Rear Brake Shaft Adjuster | 1203 | 80AX206 | Cable, Starting Switch to Battery | 0610 | 46MKA21P11 |
| Bushing, Rear Brake Shoe | 1202 | 80AX212 | Cable, Starting Switch to Battery | 0610 | 46MKA21P17 |
| Bushing, Relay Valve | 1213 | 202690 | Cable, Starting Switch to Starting Motor | 0610 | 46MKA21P4 |
| Bushing, Speedometer Drive Gear Shaft | 0705 | 8EH12 | Cable, Starting Switch to Starting Motor | 0610 | 46MKA21P8 |
| Bushing, Steering Gear Cover Threaded | 1403 | 49KF12 | Cable Assembly, Stop & Tail Lamp Rubber | 0608 | 44MOAC21P2 |
| Bushing, Steering Gear Sector Shaft | 1403 | 10CW140A | | | |
| Bushing, Steering Knuckle | 1007 | 80AX201 | | | |
| Bushing, Terminal Screw Insulation | 0603 | 821160 | | | |

ALPHABETICAL INDEX

| Description | QMC Group | Part. No. | Description | QMC Group | Part. No. |
|--|--------------|------------|--|--------------|-----------|
| Cable Assembly, Stop & Tail Lamp Rubber | 0608 | 44MOAC21P3 | Cap, Gas Tank Filler | 0305 | G3892 |
| Cable, Trailer Connection | 0606 | 210AX120 | Cap, Horn Button Contact (Lower) | 0609 | 5EH132-4 |
| Cage, Foot Valve Spring | 1213 | 210059 | Cap, Horn Button Contact (Upper) | 0609 | 10EJR29 |
| Cage, Hand Control Valve Spring | 1213 | 203257 | Cap, Intermediate Main Bearing | 0102 | 223GB154 |
| Cage, Safety Valve Spring | 1213 | 201610 | Cap, Master Cylinder Filler | 1205 | 10EHW14 |
| Cam (Automatic & Breaker) | 0603 | 822938 | Cap, Radiator | 0501 | 16MF11 |
| Cam, Emergency Brake Operating | 1201 | 32MW14 | Cap, Radiator Filler | 0501 | 16MF22 |
| Cam, Front Brake Adjusting | 1203 | 42SM12 | Cap, Rear Main Bearing | 0102 | 223GB156 |
| Cam, Front Brake LH | 1203 | 19QD24 | Cap, Rear Spring Front Bracket | 1503 | 14BG22 |
| Cam, Front Brake RH | 1203 | 19QD23 | Cap, Rear Spring Rear Bracket | 1503 | 14BG23A |
| Cam, Pin & Bracket Assembly, Rear Brake Adjusting LH | 1203 | 52QDA12 | Cap, Rear Wheel Hub | 1301 | 19QJ214 |
| Cam, Pin & Bracket Assembly, Rear Brake Adjusting RH | 1203 | 52QDA11 | Cap, Shifter Lever Dust | 0706 | 269KB14 |
| Cam, Rear Brake Shoe Adjusting | 1203 | 56QD11 | Cap, Spring | 0302 | 855532 |
| Camshaft | 0106 | 1BG1400A | Cap, Steering Column Bracket | 1405 | 15QC11P1 |
| Camshaft | 0106 | 1BG4125A | Carburetor (SF-4) | 0301 | 234GB345 |
| Camshaft, Rear Brake | 1203 | 19QD215 | Carburetor (SF-3) | 0301 | 234GB347 |
| Camshaft, Rear Brake | 1203 | 19QD214 | Carrier Assembly, Rear Axle (6.14 Ratio) | 1103 | 11KHA1131 |
| Cap Assembly, Adjusting Screw | 0305 | 22311 | Carrier Assembly, Rear Axle (6.86 Ratio) | 1103 | 11KHA1132 |
| Cap, Bearing | 0902 | 9BGS47 | Carrier Assembly, Rear Axle (7.63 Ratio) | 1103 | 11KHA188 |
| Cap, Bearing | 0902 | 9BGS49A | Carrier Assembly, Rear Axle (7.63 Ratio) | 1103 | 11KHA1136 |
| Cap, Center Main Brg. | 0102 | 223GBA155 | Carrier Assembly, Rear Axle (8.59 Ratio) | 1103 | 11KHA1137 |
| Cap, Crankcase Oil Filler | 0107 | 221GB15 | Carrier Assembly, Tire | 1505 | 1REA413 |
| Cap, Differential Brg. | 1103 | 11BG260 | Carrier Assembly, Tire | 1505 | 2REA411 |
| Cap, Differential Brg. | 1103 | 41KH32 | Cartridge, Oil Filter | 0107 | 236GB29 |
| Cap, Distributor | 0603 | 824735 | Case Assembly, Auxiliary Gear | 0701 | 281KBA21 |
| Cap, Distributor | 0603 | 1873290 | Case, Gauge Cluster | 0605 | 15EJ329-3 |
| Cap, Double Check Valve | 1213 | 212206 | Case, Governor | 1213 | 201552 |
| Cap, Dust | 0902 | 9BGS7 | Casing, Differential | 1103 | 11EH322 |
| Cap, Dust | 0902 | 9ABS17 | Casing Assembly, Differential | 1103 | 30KHA36 |
| Cap, Engine Front Support | 0110 | 14EH24 | Chain Assembly, Tailgate | 1807 | 7432 |
| Cap, Front Main Bearing | 0102 | 223GB153 | Chamber, Air Brake LH | 1213 | 19QE23P4 |
| Cap, Front Spring Front Bracket | 1503 | 14BC2131 | Chamber, Rear Brake LH | 1213 | 19QE3039 |
| Cap, Front Spring Front Bracket | 1503 | 14BG210B | Channel, Cab Door Glass Felt | 1805 | 15EH178 |
| Cap, Front Spring Rear Bracket | 1503 | 52QK21 | Channel, Cab Rear Support | 1803 | 87QS21 |
| Cap, Front Spring Rear Bracket | 1503 | 52QK210 | Channel, Cab Support | 1800 | 87QS21 |
| Cap, Front Wheel Hub | 1301 | 19QJ11A | Channel, Cab Support | 1506 | 87QS21 |
| Cap, Gas Tank Filler Spout | 0304 | 24MB16 | Channel, Fender Support | 1701 | 15EH2130 |
| | | | Channel, Rear Window Glass Rubber | 1800 | 21QS26 |
| | | | Channel Window Regulator LH | 1805 | 49QS28 |

ALPHABETICAL INDEX

| Description | QMC Group | Part. No. | Description | QMC Group | Part. No. |
|--|--------------|-----------|--|--------------|-----------|
| Channel, Window Regulator RH | 1805 | 49QS27 | Clamp, Oil Gauge Tubing | 0107 | 83AX35 |
| Check, Cab Door | 1805 | 61QS11 | Clamp, Radiator Filler Hose | 0505 | 83AX6 |
| Choke Control | 0303 | 21QB24P3 | Clamp, Radiator Water Inlet Hose | 0505 | 83AX6 |
| Choke Control | 0303 | 21QB24P5 | Clamp, Radiator Water Outlet Hose | 0505 | 83AX6 |
| Choke Control | 0605 | 21QBC24P5 | Clamp, Rear Brake Connection Tube | 1209 | 83AX26 |
| Clamp, Accelerator Retractor Spring Mounting | 0303 | 83AX107 | Clamp, Rear Mounted Air Reservoir | 1213 | 44QE11 |
| Clamp, Air Brake Tubing | 1211 | 83AX118 | Clamp, Side Mounted Air Reservoir | 1213 | 24QE130 |
| Clamp, Air Brake Tubing | 1211 | 83AX114 | Clamp, Spark Plug Wire | 0604 | 78MR11 |
| Clamp, Air Brake Tubing | 1211 | 83AX31 | Clamp, Speedometer Cable | 2203 | 83AX31 |
| Clamp, Air Brake Tubing | 1211 | 83AX21 | Clamp, Speedometer Cable Dash Sheet | 2203 | 83AX308 |
| Clamp, Air Brake Tubing | 1211 | 83AX88 | Clamp, Speedometer Flexible Shaft Clamp | 2203 | 83AX31 |
| Clamp Assembly, Air Cleaner | 0301 | A7274 | Clamp, Starting Cable | 0602 | 83AX292 |
| Clamp, Air Cleaner Adapter | 0301 | 83AX17 | Clamp, Terminal | 0603 | 26153 |
| Clamp, Air Cleaner Adapter | 0301 | 83AX7 | Clamp, Terminal | 0601 | 1878503 |
| Clamp, Air Cleaner Adapter | 0301 | 83AX4 | Clamp, Trailer Connection Hose | 1211 | 83AX13 |
| Clamp, Air Cleaner Pipe Connecting Hose | 0301 | 83AX17 | Clamp, Windshield Wiper Tube | 1801 | 16AB1819 |
| Clamp, Auxiliary Gas Tank Tubing | 0304 | 83AX114 | Clamp, Wiring | 0606 | 83AX27 |
| Clamp, Battery | 1803 | 4MK111 | Clamp, Wiring | 0606 | 83AX25 |
| Clamp, Booster Hose | 1211 | 83AX28 | Clamp, Wiring | 0606 | 78MR12 |
| Clamp, Booster Hose | 1211 | 83AX16 | Clamp, Wiring | 0606 | 78MR11 |
| Clamp, Brush Plate | 0601 | 1868747 | Clamp, Wiring Harness | 0606 | 83AX64 |
| Clamp, Cowl Vent Drain Tube | 1800 | 83AX103 | Clamp, Wiring Harness | 0606 | 83AX112 |
| Clamp, Center Bearing | 0903 | 8CJA111-5 | Clamp, Wiring Harness | 0606 | 83AX174 |
| Clamp, Center Bearing | 0903 | 83AX257 | Cleaner, Air | 0301 | 2MD229 |
| Clamp, Check Valve Tube | 1211 | 83AX118 | Cleaner, Air (Upper Half Assembly) | 0301 | 8453 |
| Clamp, Check Valve Tube | 1211 | 83AX64 | Cleaner, Air (Lower Half Assembly) | 0301 | 9155 |
| Clamp, Choke Control Wire | 0303 | 5BG1176 | Cleaner, Compressor Air | 1213 | 279GB21 |
| Clamp, Clutch Cover | 0202 | 7BMB6 | Clevis, Accelerator Rod | 0303 | 84AX26 |
| Clamp, Clutch Cover | 0202 | 7EHB7 | Clevis, Booster Valve | 1212 | 84AX36 |
| Clamp, Compressor Oil Tube | 0107 | 83AX214 | Clevis, Booster Valve to Brake Pedal Rod | 1212 | 84AX24 |
| Clamp, Compressor Oil Tube | 0107 | 83AX215 | Clevis, Booster Valve to Pedal | 1212 | 84AX134 |
| Clamp, Front Wheel Tube & Headlamp Cable | 1209 | 83AX25 | Clevis, Clutch Link | 0204 | 84AX24 |
| Clamp, Front Wheel Tube & Headlamp Cable | 1209 | 83AX29 | Clevis, Clutch Link | 0204 | 84AX38 |
| Clamp, Gas Line to Support Bracket Clamp | 0304 | 83AX114 | Clevis, Control Rod | 0204 | 84AX132 |
| Clamp, Gas Line Tube | 0304 | 83AX31 | Clevis, Emergency Brake Rod | 1201 | 84AX239 |
| Clamp, Gas Line Tube | 0304 | 83AX176 | Clevis, Emergency Brake Rod | 1201 | 84AX120 |
| Clamp, Guard | 1210 | BK16474 | Clevis, Master Cylinder | 1212 | 84AX184 |
| Clamp, Hand Control Valve | 1213 | 83AX5 | Clevis, Master Cylinder to Booster Rod | 1212 | 84AX24 |
| Clamp, Master Cylinder to Front Brake Tube | 1209 | 83AX40 | | | |
| Clamp, Oil Gauge Tubing | 0107 | 83AX25 | | | |

ALPHABETICAL INDEX

| Description | QMC Group | Part. No. | Description | QMC Group | Part. No. |
|--------------------------------------|--------------|------------|---|--------------|-----------|
| Clip, Brake Pedal Retractor Spring | 1204 | 35AX735 | Collar, Choke Stem | 0301 | P19901 |
| Clip, Breaker Lever Retainer | 0603 | 813245 | Collar, Clutch Pedal | 0204 | 35AX351 |
| Clip, Cam Ribbon | 0305 | 22027 | Collar Assembly, Clutch Throwout | 0203 | 366KBA19 |
| Clip, Clutch Pedal Retractor Spring | 0204 | 35AX735 | Collar (Lower), Distributor Shaft | 0603 | 1BC1175A |
| Clip Assembly, Front Spring | 1602 | 13EHA302 | Collar (Upper), Distributor Shaft | 0603 | 1BC1181A |
| Clip Assembly, Front Spring | 1602 | 13EHA3012 | Collar, Governor Spring | 0305 | G2682 |
| Clip Assembly, Front Spring | 1602 | 13EHA3018 | Collar, Rear Brake, Slack Adjuster Worm Shaft | 1203 | 8QD11 |
| Clip Assembly, Rear Spring | 1602 | 6QKA3050 | Collar, Space | 0601 | 1849278 |
| Clip, Front Spring Rebound (Long) | 1601 | 13BGM100 | Compartment, Glove | 1800 | 15EJ423 |
| Clip, Front Spring Rebound (Long) | 1601 | 13BGM102 | Compressor | 1213 | 303GB414 |
| Clip, Front Spring Rebound (Long) | 1601 | 13BMS32 | Condenser | 0603 | 1869704 |
| Clip, Front Spring Rebound (Short) | 1601 | 13CGM12 | Condenser | 0603 | 829107 |
| Clip Front Spring Rebound (Short) | 1601 | 13BGM101 | Condenser, Radio Generator & Ammeter | 0612 | 59MT11 |
| Clip, Front Spring Rebound (Short) | 1601 | 13BMS151 | Cone, Auxiliary Countershaft Front Bearing | 0704 | 62AX183 |
| Clip, Ground | 1507 | 16ST379-15 | Cone, Auxiliary Countershaft Rear Bearing | 0704 | 62AX216 |
| Clip, Helper Spring Rebound | 1601 | 41SU62 | Cone, Bevel Pinion Bearing | 1104 | 62AX214 |
| Clip, Hood Latch | 1704 | 8QM11 | Cone, Bevel Pinion Bearing (Front) | 1104 | 62AX201 |
| Clip, Hood Latch Frt LH | 1704 | 15EH139 | Cone, Bevel Pinion Bearing (Rear) | 1104 | 62AX190 |
| Clip, Hood Latch Frt RH | 1704 | 15EH138 | Cone, Countershaft Front Bearing | 0704 | 62AX268 |
| Clip, Hood Latch Rr LH | 1704 | 15EH141 | Cone, Countershaft Front Bearing | 0704 | 62AX296 |
| Clip, Hood Latch Rr RH | 1704 | 15EH140 | Cone, Countershaft Rear Bearing | 0704 | 63AX183 |
| Clip, Link Pin | 0302 | 855017 | Cone, Countershaft Rear Bearing | 0704 | 62AX216 |
| Clip, Rear Spring Rebound | 1601 | 41SU79 | Cone, Countershaft Rear Bearing | 0704 | 62AX278 |
| Clip, Rear Spring Rebound | 1601 | 41SU80 | Cone, Differential Bearing | 1103 | 62AX102 |
| Clip, Retractor Spring | 0303 | 35AX739 | Cone, Differential Bearing | 1103 | 62AX280 |
| Clip, Terminal | 0601 | 833634 | Cone, Inner | 1301 | 62AX224 |
| Clip, Terminal Stud Lock | 0601 | 820516 | Cone, Outer | 1301 | 62AX223 |
| Clip, Valve Shaft | 0305 | 22110 | Cone, Rear Wheel Bearing (Inner) | 1301 | 62AX75 |
| Clutch, Auxiliary Gear | 0704 | 321KB21A | Cone, Rear Wheel Bearing (Outer) | 1301 | 62AX182 |
| Clutch, Fourth & Fifth Speed Sliding | 0704 | 320KB26 | Cone, Spur Pinion Shaft Bearing | 1104 | 62AX192 |
| Clutch, Fourth & Fifth Speed Sliding | 0704 | 320KB27 | Cone, Worm Shaft Bearing | 1403 | 62AX202 |
| Cock, Air Reservoir Drain | 1211 | 10AB1571 | Connection Assembly, Air Line at Hand | 1211 | 63AX1083 |
| Cock, Radiator Drain | 0501 | 61AX54 | Control Valve | 1211 | 63AX1083 |
| Coil, Field LH | 0601 | 1878844 | | | |
| Coil, Field RH | 0601 | 1879296 | | | |
| Coil Assembly, Field | 0602 | 810626 | | | |
| Coil Assembly, Field | 0602 | 810627 | | | |
| Coil, Ignition | 0604 | 5EH24A | | | |
| Coil, Ignition | 0604 | 10MJ21 | | | |
| Collar, Brush Holder Space | 0601 | 1877917 | | | |

ALPHABETICAL INDEX

| Description | QMC Group | Part. No. | Description | QMC Group | Part. No. |
|---|--------------|------------|---|--------------|-----------|
| Connection at Check Valve | 1211 | 63AX487 | Core & Tank Assembly, Radiator | 0501 | 3MFA424 |
| Connection at Rear of Master Cylinder | 1209 | 63AX608 | Core & Tank Assembly, Radiator | 0501 | 3MFA465P2 |
| Connection, Carburetor Drain Fitting | 0304 | 63AX497 | Cotter, Bevel Pinion Nut | 1104 | 29AX8 |
| Connection Assembly, Check Valve | 1211 | 63AX1084 | Cotter, Bevel Pinion Nut | 1104 | 29AX33 |
| Connection Assembly, Foot Valve to Reservoir Tube | 1211 | 63AX1085 | Cotter, Bevel Pinion Nut | 1104 | 29AX7 |
| Connection, Four Way Cock Compression | 0304 | 63AX483 | Cotter, Clutch Link Clevis | 0204 | 29AX43 |
| Connection, Fuse Wire | 0606 | 43MR11 | Cotter, Compressor Drive Bearing Retainer Nut | 0112 | 29AX11 |
| Connection, Headlamp | 0607 | 5EH140 | Cotter, Compressor Drive Gear Nut | 0112 | 29AX4 |
| Connection, Hose & Tube | 1211 | 63AX1085 | Cotter, Differential Bearing Adjusting Nut | | |
| Connection, Rear Wheel Cylinder Inlet | 1207 | 11EHW16 | Cotter, Differential Pin | 1103 | 29AX13 |
| Connection Assembly, Relay Valve Tube | 1211 | 63AX1085 | Cotter, Differential Bearing Adjusting Ring | | |
| Connection, Stop & Tail Lamp Two Wire | 0608 | 5CJ145 | Cotter, Differential Lock Pin | 1103 | 29AX3 |
| Connection, Three Wire | 0606 | 5EH140 | Cotter, Differential Bearing Cap Stud Nut | 1103 | 29AX13 |
| Connection, Two Wire | 0606 | 5CJ145 | Cotter, Differential Bearing Cap & Stud Nut | 1103 | 29AX13 |
| Connection, Vertical Check Valve Tee | 1211 | 63AX497 | Cotter, Differential Casing Bolt Nut | 1103 | 29AX3 |
| Connector, Air Reservoir | 1211 | 63AX1219 | Cotter, Differential Casing Cover Bolt Nut | 1103 | 29AX12 |
| Connector Assembly, Air Reservoir Outlet | 1211 | 36QE111 | Cotter, Drive Flange | 0901 | 29AX7 |
| Connector Assembly, Air Reservoir Tube | 1211 | 63AX1085 | Cotter, Drive Flange | 0901 | 29AX52 |
| Connector, Compressor Water Inlet & Outlet Tube | 0505 | 63AX14 | Cotter, Emergency Brake Adjusting Bolt | 1201 | 29AX43 |
| Connector Assembly, Foot Valve | 1211 | 63AX1084 | Cotter, Emergency Brake Bolt Pin | 1201 | 29AX14 |
| Connector Assembly, Foot Valve to Hand Control Valve Tube | 1211 | 63AX1084 | Cotter, Emergency Brake Bolt Pin | 1201 | 29AX13 |
| Connector, Fuel Pump to Carburetor Tube | 0302 | 63AX136 | Cotter, Flywheel Bolt | 0109 | 29AX3 |
| Connector, Governor Tube | 1211 | 63AX1081 | Cotter, Front Brake Camshaft | 1203 | 29AX52 |
| Connector, Oil Gauge Tubing | 0107 | 63AX329 | Cotter, Gas Tank Support Bolt | 0304 | 29AX43 |
| Connector Assembly, Quick Release Valve to Frame Fitting Tube | 1211 | 63AX1083 | Cotter, Hood Handle | 1704 | 29AX54 |
| Connector, Stoplight Switch Terminal | 0606 | 203622 | Cotter, Pedal Shaft Bushing Retainer | 0204 | 29AX14 |
| Connector, Water Pump Vent Tube | 0505 | 63AX697 | Cotter, Rear Brake Cam Shaft Nut | 1203 | 29AX51 |
| Contact Point Set | 0603 | 45SB12 | Cotter, Rear Brake Chamber Push Rod Yoke Pin | 1213 | 203019 |
| Control, Choke Wire | 0605 | 21QBC24P3 | Cotter, Rear Brake Chamber Stud Nut | 1213 | 203156 |
| Control, Throttle Wire | 0605 | 21QBC24P18 | Cotter, Rear Wheel Rim Lug Bolt | 1301 | 29AX5 |
| | | | Cotter, Rim Clamping Lug Bolt Nut | 1301 | 29AX3 |
| | | | Cotter, Spur Gear Bolt Nut | 1104 | 29AX3 |

ALPHABETICAL INDEX

| Description | QMC Group | Part. No. | Description | QMC Group | Part. No. |
|--|-----------|-----------|---|-----------|-------------|
| Cotter, Steering Arm Nut | 1007 | 29AX7 | Cover, Compressor Unloader | 1213 | 203115 |
| Cotter, Steering Gear Lever Ball Nut | 1403 | 29AX12 | Cover, Countershaft Front Bearing | 0701 | 400KB11 |
| Cotter, Steering Lever Ball | 1007 | 29AX5 | Cover, Countershaft Front Bearing | 0701 | 400KB12 |
| Cotter, Wheel Bearing Adjusting Nut | 1301 | 29AX7 | Cover Assembly, Countershaft Rear Bearing | 0701 | 399KBA14 |
| Countershaft | 0704 | 605KC21 | Cover Assembly, Countershaft Rear Bearing | 0701 | 399KBA15 |
| Countershaft | 0704 | 605KC22 | Cover, Crankcase Gear | 0101 | 333GBA415 |
| Countershaft | 0704 | 605KC23 | Cover, Cross Steering Tube Ball Joint Dust | 1402 | 37AX259 |
| Coupling | 0603 | 809673 | Cover, Dash Sheet | 1800 | 15EH49A |
| Coupling | 0603 | 1865656 | Cover, Dash Sheet | 1800 | 12QR41 |
| Coupling Assembly, Air Gauge Tube | 1211 | 63AX1081 | Cover, End Rear Support | 0110 | 1BG3115 |
| Coupling, Booster Valve to Brake Pedal Rod | 1212 | 10BJ116 | Cover, Foot Valve | 1213 | 210056 |
| Coupling, Compressor | 1213 | 320GB11 | Cover, Gear Shifter Lever | 1802 | 102QSA333P5 |
| Coupling, Dummy | 1211 | 59QE11 | Cover, Governor | 1213 | 201523 |
| Coupling, Oil Gauge Tubing | 0107 | 63AX332 | Cover, Governor Valve Box | 0305 | 2BG47A-6 |
| Coupling, Trailer Connection Hose | 1211 | 59QE12A | Cover, Hand Control Valve | 1213 | 203317 |
| Cover | 0305 | 22032 | Cover, Hood Corner | 1704 | 15BM1351 |
| Cover | 0601 | 1878514 | Cover, Hood Corner | 1704 | 15EH121 |
| Cover, Oil Filter | 0305 | 22107 | Cover, Main Drive Pinion Bearing | 0701 | 403KB26 |
| Cover, Bell Housing Inspection | 0207 | 8AB235 | Cover, Main Drive Pinion Bearing | 0701 | 203KB27 |
| Cover, Bevel Pinion Housing | 1103 | 49KH24 | Cover, Oil Filter | 0107 | 42SB14 |
| Cover, Bevel Pinion Housing | 1103 | 49KH310 | Cover, Oil Pump Housing | 0107 | 6BG329 |
| Cover, Booster Valve Air Cleaner | 1211 | BK14577 | Cover, Power Take Off | 0701 | 8AB235 |
| Cover, Booster Valve Dust | 1211 | BK14584 | Cover, Rear Brake Drum Inspection Hole | 1302 | 18QJ12 |
| Cover, Booster Valve Intermediate Housing | 1211 | BK21840 | Cover, Relay Valve | 1213 | 202691 |
| Cover, Bottom | 0302 | 855573 | Cover, Relay Valve Blanking | 1213 | 202748 |
| Cover, Brake Drum Inspection Hole | 1302 | 18QJ12 | Cover, Shifter Shaft | 0701 | 405KB36 |
| Cover, Camshaft Rear Bearing | 0106 | 1CF1298 | Cover, Spline Shaft Rear Bearing | 0701 | 406KB29 |
| Cover, Center Bearing Housing End | 0903 | 9CJA111-2 | Cover Assembly, Spline Shaft Rear Bearing | 0701 | 406KBA313P2 |
| Cover, Center Bearing Housing End | 0903 | 70MU21 | Cover Assembly, Spline Shaft Rear Bearing | 0701 | 406KBA312P2 |
| Cover, Clutch & Brake Pedal Pad | 0204 | 10EH140 | Cover, Spline Shaft Rear Bearing | 0701 | 406KB311P2 |
| Cover Assembly, Clutch | 0202 | 7EHB11 | Cover, Steering Gear Housing | 1403 | 15KF32 |
| Cover Assembly, Clutch | 0202 | 7EHB14 | Cover, Stoplight Switch | 0606 | 203621 |
| Cover, Compressor Air Cleaner Hole | 1213 | 203243 | Cover, Transmission Upper Shifter | 0706 | 409KB25 |
| Cover, Compressor Base | 1213 | 202887 | Cover, Transmission Flange | 0101 | 1AB1959 |
| Cover, Compressor Flange | 0101 | 1CF27C | Cover (Rear), Valve Spring | 0105 | 1BG319A |
| Cover, Compressor Rear End | 1213 | 202921 | Cover, Water Pump | 0503 | 360GB41B |
| | | | Cover & Bushing Assembly, Differential Casing | 1103 | 11EHA135A |

ALPHABETICAL INDEX

| Description | QMC Group | Part. No. | Description | QMC Group | Part. No. |
|---|--------------|-----------|--|--------------|-----------|
| Cover & Deflector, Cowl Vent | 1800 | 15EH38 | Cup, Bevel Pinion Bear- ing (Front) | 1104 | 64AX105 |
| Cover & Pin Assembly, Spur Pinion Shaft Bearing | 1103 | 11CTA131A | Cup, Bevel Pinion Bear- ing (Rear) | 1104 | 64AX89 |
| Cover & Tappet Plate Assembly (Front), Valve Spring | 0155 | 1BGA1171 | Cup, Cab Rear Mounting Insulator | 1803 | 4CJ1111A |
| Cover & Valve Seat Assembly, Top | 0302 | 855739 | Cup, Countershaft Front Bearing | 0704 | 64AX153 |
| Cowl Assembly | 1800 | 15EH510A | Cup, Countershaft Front Bearing | 0704 | 64AX155 |
| Cowl Assembly | 1800 | 2QR512 | Cup, Countershaft Rear Bearing | 0703 | 64AX154 |
| Cradle Complete, Battery Support | 1803 | 15EMA23 | Cup, Countershaft Rear Bearing | 0704 | 64AX156 |
| Cradle Complete, Battery Support | 1803 | 29MKA233 | Cup, Countershaft Rear Bearing | 0704 | 64AX157 |
| Crank, Cab Door Window | 1805 | 15EH175 | Cup, Differential Bearing | 1103 | 64AX160 |
| Crank Assembly, Starting | 2306 | 1EMA21 | Cup, Differential Bearing LH | 1103 | 64AX123 |
| Crank Assembly, Starting | 2306 | 1FAP301B | Cup, Differential Bearing RH | 1103 | 64AX127 |
| Crankcase, Compressor | 1213 | 215175 | Cup, Felt Washer Re- tainer | 0601 | 37078 |
| Crankcase, Lower | 0107 | 240GB512 | Cup, Foot Valve, Gits Oil | 1213 | B-104 |
| Crankshaft Assembly | 0102 | 456GCA38 | Cup, Front Wheel Cylinder | 1207 | 11BLH10 |
| Crankshaft, Compressor | 1213 | 212285 | Cup, Governor Strainer | 1213 | 200099 |
| Cross Member, Cab Rear Support | 1506 | 14EH39 | Cup, Grease | 0603 | 805579 |
| Cross Member, Cab Rear Support | 1506 | 14EM35 | Cup, Hand Control Valve Piston | 1213 | 203525 |
| Cross Member, Drive Shaft Center Bearing | 1506 | 14EH310 | Cup, Inner | 1301 | 64AX16 |
| Cross Member, Radiator & Hood Support | 0504 | 17MF43A | Cup, Master Cylinder Piston | 1205 | 10BLH24 |
| Cross Member, Radiator Support | 0504 | 17MF220 | Cup, Master Cylinder Piston Secondary | 1205 | 10EHW15 |
| Cross Member, Rear | 1506 | 14EH38 | Cup, Outer | 1301 | 64AX15 |
| Cross Member, Rear | 1506 | 14EM34 | Cup, Rear Wheel Bearing (Inner) | 1301 | 64AX35 |
| Cross Member, Rear Spring Front | 1506 | 14EM32 | Cup, Rear Wheel Bearing (Outer) | 1301 | 64AX72 |
| Cross Member, Rear Spring Front | 1506 | 14EM33 | Cup, Rear Wheel Cyl- inder Piston | 1207 | 11EHW19 |
| Cross Member, Rear Spring Front | 1506 | 8QL345P2 | Cup, Seal | 0601 | 1879688 |
| Cross Member, Rear Spring Rear | 1506 | 14EM33 | Cup, Spur Pinion Shaft Bearing | 1104 | 64AX122 |
| Cross Member, Rear Spring Rear | 1504 | 14EH311 | Cup, Water Pump Grease | 0503 | 45AX23 |
| Cross Member, Rear Spring Rear | 1506 | 14EH312 | Cup, Worm Shaft Bearing (Lower) | 1403 | 64AX109 |
| Cross Member, Rear Spring Rear | 1506 | 8QL381 | Cup, Worm Shaft Bearing (Upper) | 1403 | 64AX110 |
| Cup, Auxiliary Counter- shaft Front Bearing | 0704 | 64AX142 | Curtain, End | 2310 | 7420-7-C |
| Cup, Auxiliary Counter- shaft Rear Bearing | 0704 | 64AX156 | Curtain, End | 2310 | 7420-2 |
| | | | Curtain, End | 2310 | 7420-4-C |

ALPHABETICAL INDEX

| Description | QMC Group | Part. No. | Description | QMC Group | Part. No. |
|-------------------------------------|--------------|------------|---|--------------|------------|
| Cushion Assembly, Seat Back | 1804 | 68QSA330P1 | Door Assembly, Gas Tank Filler Spout | 1800 | 15EHA216 |
| Cushion Assembly, Seat Back | 1804 | 68QS349 | Door, Glove Compartment | 1800 | 64SX11 |
| Cushion Assembly, Seat Back RH | 1804 | 68QS337 | Door Complete, Trap | 1802 | 44QR12 |
| Cushion Assembly, Seat LH | 1804 | 66QS343P1 | Dowel, Center Bearing Housing | 0903 | 9CJA111-13 |
| Cushion Assembly, Seat LH | 1804 | 66QS349 | Dowel, Center Bearing Housing | 0903 | 31AX95 |
| Cushion Assembly, Seat RH | 1804 | 66QS342P1 | Dowel, Engine Rear Support & Cylinder | 0110 | 31AX119 |
| Cushion Assembly, Seat RH | 1804 | 66QS348 | Dowel, Fan Driving Pulley | 0503 | 31AX7 |
| Cylinder, Compressor | 1213 | 215453 | Dowel, Oil Slinger Housing | 0102 | 31AX123 |
| Cylinder, End Plate Gasket | 1210 | BK10077 | Dowel, Seat Cushion | 1804 | 15EH176 |
| Cylinder, Front Wheel | 1207 | 12EHW25 | Dowel, Valve Lifter Bracket | 0105 | 1BG146 |
| Cylinder Assembly, Front Wheel | 1207 | 11BLH14 | Drive Assembly, Motor | 0602 | 1850844 |
| Cylinder, Hydraulic Maser | 1205 | 8QE22 | Drum, Emergency Brake | 1201 | 12MW36 |
| Cylinder, Locking | 0604 | 5EJ120 | Drum, Emergency Brake | 1201 | 12MW38 |
| Cylinder, Rear Wheel | 1207 | 11EHW14 | Drum, Front Brake (Air) | 1302 | 17QJ349A |
| Cylinder Assembly, Rear Wheel | 1207 | 49QDA23 | Drum, Front Brake (Hyd) | 1302 | 17QJ314A |
| Cylinder, Vacuum Booster | 1210 | 5QE23 | Drum, Rear Brake | 1302 | 17QJ317A |
| Cylinder & Upper Crankcase Assembly | 0101 | 239GBA152A | Dust Shield Assembly, Front Brake LH | 1208 | 35QDA39 |
| Cylinder & Upper Crankcase Assembly | 0101 | 239GBA153A | Dust Shield Assembly, Front Brake RH | 1208 | 35QDA38 |
| Diaphragm | 0302 | 855389 | Elbow, Air Compressor | 1211 | 63AX132 |
| Diaphragm, Booster Valve | 1211 | BK18996 | Elbow, Air Reservoir Safety Valve | 1211 | 63AX132 |
| Diaphragm, Compressor Unloader | 1213 | 203109 | Elbow Assembly, Air Reservoir Tube | 1211 | 63AX1090 |
| Diaphragm, Foot Valve | 1213 | 210155 | Elbow at Check Valve | 1211 | 63AX524 |
| Diaphragm Assembly, Foot Valve | 1213 | 216378 | Elbow at Exhaust Manifold | 1211 | 63AX372 |
| Diaphragm, Front Brake Chamber | 1213 | 200728 | Elbow, Booster Cylinder to Master Cylinder Hose | 1211 | 10AK1392A |
| Diaphragm, Rear Brake Chamber | 1213 | 200001 | Elbow, Booster to Tee Tube | 1211 | 63AX262 |
| Diaphragm, Relay Valve | 1213 | 202695 | Elbow, Brake Check Valve Tube | 1211 | 63AX372 |
| Diaphragm, Stoplight Switch | 0606 | 203381 | Elbow Assembly, Check Valve | 1211 | 63AX1092 |
| Differential Assembly | 1103 | 11EHA318A | Elbow, Compressor Oil Tube | 0107 | 63AX330 |
| Differential Assembly | 1103 | 30KHA37 | Elbow, Compressor Water Inlet Tube | 0505 | 63AX13 |
| Disc, Booster Valve | 1211 | BK-18206 | Elbow, Compressor Water Outlet Tube | 0505 | 63AX1164 |
| Distributor | 0603 | 5BG268 | Elbow, Cylinder Head Water Outlet | 0505 | 439GB36A |
| Distributor | 0603 | 423GB316 | Elbow, Distributor Vacuum | 0603 | 63AX75 |
| Dome, Air | 0302 | 855918 | Elbow, Distributor Vacuum Tube | 0603 | 63AX75 |
| Door only (Olive Drab) | 0608 | CB-1089 | | | |
| Door Assembly | 0607 | CB-8259 | | | |
| Door Assembly with Lens | 0608 | CB-1090 | | | |
| Door Assembly, Cab LH | 1805 | 31QSA59P2 | | | |
| Door Assembly, Cab LH | 1805 | 31QSA59P4 | | | |
| Door Assembly, Cab RH | 1805 | 31QSA59P1 | | | |
| Door Assembly, Cab RH | 1805 | 31QSA59P3 | | | |

ALPHABETICAL INDEX

| Description | QMC Group | Part. No. | Description | QMC Group | Part. No. |
|--|--------------|-----------|--|--------------|-----------|
| Elbow, Foot Valve | 1211 | 63AX672 | Fastener, Wiring Harness | 0606 | 83AX104 |
| Elbow Assembly, Foot Valve to Reservoir Tube | 1211 | 63AX1165 | Felt, Air Cleaner | 0301 | A7022 |
| Elbow, Four Way Cock Compression | 0304 | 63AX490 | Felt, Air Filter | 0305 | 22108 |
| Elbow, Front Brake Chamber & Frame Connection | 1211 | 63AX351 | Felt, Auxiliary Shift Sealing | 1802 | 21QR119 |
| Elbow Assembly, Front Wheel Flexible Hose | 1211 | 63AX1091 | Felt, Cross Steering Tube Bell Joint Dust Retainer | 1402 | 104AX23 |
| Elbow, Fuel Pump to Carburetor Tube | 0302 | 63AX148 | Felt, Foot Valve Oiler | 1213 | 210057 |
| Elbow, Fuel Pump to Line Titeflex Tube | 0304 | 63AX458 | Felt, Guide Rod | 1210 | BK11258 |
| Elbow, Fuel Pump to Titeflex | 0304 | 63AX170 | Felt, Hand Brake Sealing | 1802 | 21QR129 |
| Elbow, Gas Line | 0304 | 63AX890 | Felt, Piston | 1210 | BK10893 |
| Elbow, Gas Line Four Way Valve | 0304 | 63AX490 | Felt, Piston Rod Nut Lubrication | 1210 | BK11260 |
| Elbow, Master Cylinder to Tee Tube | 1211 | 63AX491 | Felt, Steering Knuckle Cap | 1007 | 41AX186 |
| Elbow, Oil Gauge Tubing | 0107 | 63AX458 | Fender, Front Complete LH | 1701 | 15EH537 |
| Elbow, Oil Gauge Tubing | 0107 | 63AX330 | Fender, Front Complete LH | 1701 | 13QM518 |
| Elbow Assembly, Quick Release Valve to Foot Valve Tube | 1211 | 63AX1092 | Fender, Front Complete RH | 1701 | 15EH536 |
| Elbow, Rear Wheel Flex- ible Hose Connection | 1211 | 63AX351 | Fender, Front Complete RH | 1701 | 13QM517 |
| Elbow Assembly, Relay Valve to Foot Valve Tube | 1211 | 63AX1091 | Fender, Quarter Rear | 1701 | 15EH238 |
| Elbow Assembly, Relay Valve to Stop Light Switch Tube | 1211 | 63AX1090 | Ferrule, Horn Button Insulating | 0609 | 5EH132-5 |
| End, Governor Throttle Rod | 0305 | 2BG47A-11 | Ferrule, Stop & Tail Lamp Wire | 0608 | 73AX12 |
| End, Governor Throttle Rod | 0305 | 81SB11 | Ferrule, Trailer Connection | 0606 | 4AC1375 |
| End, Governor Throttle Rod | 0305 | 2BG47A-10 | Filler, Crankcase Oil | 0107 | 477GB36A |
| Engine Assemblies | 0100 | 11GBA1279 | Filler, Crankcase Oil | 0107 | 477GB314A |
| Engine Assemblies | 0100 | 11GBA1282 | Filler, Running Board | 1703 | 15EH2125 |
| Escutcheon, Cab Door Handle | 1805 | 15EH170 | Filler, Running Board | 1703 | 15EH1199 |
| Escutcheon, Cab Door Window Crank | 1805 | 15EH171 | Filler Spout Assembly, Gas Tank | 0304 | 2EH34 |
| Facing, Clutch | 0201 | 7BG331 | Filter, Oil | 0107 | 485GB445 |
| Facing, Clutch | 0201 | 151HB341 | Fitting, Air Brake Connection | 1211 | 63AX417 |
| Facing, Hood | 1800 | 136AX88 | Fitting, Alemite | 1507 | 44AX62 |
| Facing, Hood | 1704 | 136AX33 | Fitting, Alemite | 1507 | 44AX63 |
| Fan Complete | 0503 | 2MH412 | Fitting, Center Bearing Alemite | 0903 | 101SZ18 |
| Fan, Generator Pulley | 0601 | 18MJ21 | Fitting, Center Bearing Alemite | 0903 | 44AX62 |
| Fastener, Cab Door Glass Felt Channel | 1805 | 73AX33 | Fitting, Clutch Throw- out Shaft Alemite LH | 0203 | 44AX63 |
| | | | Fitting, Clutch Throw- out Shaft Alemite RH | 0203 | 44AX64 |
| | | | Fitting, Front Brake Hose Frame Connection | 1211 | 63AX418 |
| | | | Fitting, Front Inlet | 1207 | 12EHW29 |
| | | | Fitting, Gas Line Tube Connecting | 0304 | 63AX483 |
| | | | Fitting, Hose | 1210 | BK13038 |
| | | | Fitting (Upper), Governor | 1213 | 215230 |
| | | | Fitting, Master Cylin- der Outlet | 1205 | 10EHW16 |

ALPHABETICAL INDEX

| Description | QMC Group | Part. No. | Description | QMC Group | Part. No. |
|--------------------------|--------------|------------|-------------------------|--------------|-----------|
| Fitting, Radiator | | | Gasket, Bevel Pinion | | |
| Water Outlet | 0505 | 4EM22A | Housing Cover | 1103 | 11CL550A |
| Fitting, Rear Hydraulic | | | Gasket, Bevel Pinion | | |
| Brake Tube | 1209 | 63AX285 | Housing Cover | 1103 | 50KH23 |
| Fitting, Rod End | 1210 | BK10992 | Gasket, Booster Valve | | |
| Flange, Compressor Air | | | Housing | 1211 | BK18204 |
| Outlet | 1213 | 55AX55 | Gasket, Bottom Cover | 0302 | 855585 |
| Flange, Drive | 0901 | 552KB232 | Gasket, Bowl | 0202 | 854003 |
| Flange, Drive | 0901 | 552KB239 | Gasket, Camshaft Rear | | |
| Flange, Drive | 0901 | 552KB247 | Bearing Cover | 0106 | 538GB11 |
| Flange, Drive | 0901 | 9AB2289A | Gasket, Carburetor | 0301 | 539GB13 |
| Flange, Drive | 0901 | 32MU276 | Gasket, Carburetor | 0301 | 539GB15 |
| Flange, Drive | 0901 | 11AB2552 | Gasket, Carrier to Rear | | |
| Flange, Drive | 0901 | 63KH223 | Axle Housing | 1103 | 56AX92 |
| Flange, Exhaust Pipe | 0402 | 3EH14 | Gasket, Compressor Air | | |
| Flinger, Center Bearing | 0903 | 9CJA111-4 | Cleaner | 1213 | 1CF121 |
| Flinger, Center Bearing | 0903 | 71MU21 | Gasket, Compressor Air | | |
| Flinger, Center Bearing | 0903 | 102SJ13 | Cleaner Adapter | 1213 | 544GB11 |
| Float | 0301 | 382066 | Gasket, Compressor Air | | |
| Float with Lever | | | Cleaner Hole Cover | 1213 | 544GB11 |
| Assembly | 0301 | P22470 | Gasket, Compressor Air | | |
| Flywheel Assembly | 0109 | 530GB115A | Outlet Flange | 1213 | 56AX1 |
| Flywheel Assembly | 0109 | 530GBA168A | Gasket, Compressor | | |
| Follower, Compressor | | | Crankcase Cover | 1213 | 202897 |
| Unloader Diaphragm | 1213 | 220307 | Gasket, Compressor | | |
| Fork, Auxiliary Speed | | | Cylinder Block | 1213 | 202898 |
| Shifter | 0706 | 575KB21 | Gasket, Compressor | | |
| Fork, First & Reverse | | | Cylinder Head | 1213 | 203462 |
| Speed Shifter | 0706 | 571KB23 | Gasket, Compressor | | |
| Fork, First & Reverse | | | Flange Cover | 0101 | 541GB13 |
| Speed Shifter | 0706 | 571KB24 | Gasket, Compressor & | | |
| Fork, Fourth & Fifth | | | Housing | 1213 | 541GB13 |
| Shifter | 0706 | 578KB24 | Gasket, Compressor Rear | | |
| Fork, Second & Third | | | End Cover | 1213 | 202899 |
| Shifter | 0706 | 571KB23 | Gasket, Countershaft | | |
| Fork, Second & Third | | | Front Bearing Retainer | 0701 | 627KB11 |
| Shifter | 0706 | 571KB24 | Gasket, Cover | 0601 | 1878510 |
| Frame Assemblies | 1506 | 1QLA4120P1 | Gasket, Coupling | 0603 | 1841901 |
| Frame & Field Assemblies | 0602 | 817790 | Gasket, Cover | 0305 | 22031 |
| Frame & Pin Assembly, | | | Gasket, Crankcase | | |
| Commutator End | 0602 | 815839 | Breather Pipe | 0101 | 56AX32 |
| Frame, Commutator End | 0601 | 1868744 | Gasket, Crankcase Gear | | |
| Frame, Drive End | 0601 | 1874169 | Cover | 0101 | 1BG1660 |
| Frame, Drive End | 0601 | 1880572 | Gasket, Crankcase Oil | | |
| Fuse (10 Amp.) | 0606 | 5AB1386 | Filler | 0107 | 1BG1245 |
| Fuse (14 Amp.) | 0606 | 85AX37 | Gasket, Cylinder Head | 0101 | 553GB382 |
| Fuse (20 Amp.) | 0606 | 85AX1 | Gasket, Cylinder Head | 0101 | 553GB388 |
| Fuse (30 Amp.) | 0606 | 85AX39 | Gasket, Cylinder Head | | |
| Gasket, Air Cleaner | 0301 | A7156 | Water Outlet Elbow | 0505 | 555GB14 |
| Gasket, Auxiliary Gas | | | Gasket, Cylinder Water | | |
| Tank Gauge | 0304 | 56AX179 | Manifold | 0505 | 1BG1681 |
| Gasket, Auxiliary | | | Gasket, Distributor | 0603 | 56AX173 |
| Transmission Case | 0701 | 617KB33 | Gasket, End Cover Plate | 0601 | 1835457 |
| Gasket, Ball Bearing | | | Gasket, Exhaust Mani- | | |
| Retainer Plate | 0601 | 825260 | fold & Cylinder | 0108 | 3BG13A |
| | | | Gasket, Exhaust Mani- | | |
| | | | fold & Cylinder | 0108 | 2BG23A |

ALPHABETICAL INDEX

| Description | QMC Group | Part. No. | Description | QMC Group | Part. No. |
|---|--------------|-----------|--|--------------|------------|
| Gasket, Exhaust Pipe Flange | 0402 | 60AX29 | Gasket, Master Cylinder Outlet Fitting Bolt | 1205 | 11BLH4 |
| Gasket, Float Hanger & Needle Valve Seat | 0301 | P11572 | Gasket, Master Cylinder Outlet Plug | 1205 | 10BLH4 |
| Gasket, Float Needle Valve Seat | 0301 | P14364 | Gasket, Metering Jet | 0301 | P6855 |
| Gasket, Foot Valve In- let Valve Seat | 1213 | 210180 | Gasket, Oil Filter | 0107 | 582GB12 |
| Gasket, Front Inlet Fitting | 1207 | 11BLH3 | Gasket, Oil Filter | 0107 | 121SB20 |
| Gasket, Front Wheel Hub Cap | 1301 | 56AX192 | Gasket, Oil Pump Housing | 0107 | 589GB16 |
| Gasket, Fuel Pump | 0302 | 568GB11 | Gasket, Parking Lamp Lens | 0607 | CB-6418 |
| Gasket, Gas Gauge | 0304 | 56AX179 | Gasket, License Lens | 0608 | CB-368 |
| Gasket, Gas Tank Filler Cap Flange | 0304 | 56AX181 | Gasket, Power Take Off Cover | 0701 | 8AB177 |
| Gasket, Gas Tank Filler Spout | 0304 | 121SF16 | Gasket, Pull Rod | 0302 | 855012 |
| Gasket, Gas Tank Filler Spout Cap | 0304 | 121SF16 | Gasket, Rear Axle Shaft Flange | 1102 | 11CG198 |
| Gasket, Gas Tank Filler Spout Flange | 0304 | 56AX181 | Gasket, Rear Wheel Cyl- inder Inlet Connection | 1207 | 11BLH3 |
| Gasket, Governor Ad- justing Screw Lock Nut | 0305 | G4356 | Gasket, Rear Wheel Cyl- inder Inlet Fitting Bolt | 1207 | 11BLH4 |
| Gasket, Governor Body | 0305 | G3897 | Gasket, Relay Valve Blanking Cover | 1213 | 202735 |
| Gasket, Governor & Manifold | 0305 | 539GB13 | Gasket, Relay Valve Cover | 1213 | 211367 |
| Gasket, Governor & Manifold | 0305 | 539GB15 | Gasket Set, Carburetor | 0301 | 127SB13 |
| Gasket, Governor Vacuum Spark Control Valve | 0305 | 122SB12 | Gasket Set Complete | 0301 | 127SB14 |
| Gasket, Governor Vacuum Spark Control Valve Cylinder Plug | 0305 | 122SB13 | Gasket Set | 0101 | 126SB17A |
| Gasket, Horn Wire Tube Flange | 1403 | 10CW137 | Gasket Set | 0101 | 126SB36A |
| Gasket, Inlet Manifold | 0108 | 573GB15 | Gasket, Shifter Shaft Cover | 0701 | 640KB21 |
| Gasket, Inlet Manifold Vaporizer | 0108 | 2BG25B | Gasket, Spline Shaft Rear Bearing Cover | 0701 | 645KB22 |
| Gasket, Journal | 0902 | 9BGS45 | Gasket, Steering Gear Housing Cover | 1403 | 10CW27 |
| Gasket, Journal | 0902 | 9CLS2 | Gasket, Strainer Plug | 0301 | P20235 |
| Gasket, Lower Crankcase | 0107 | 1BG1659 | Gasket, Tropic Air Flange Cover | 0101 | 56AX32 |
| Gasket, Lower Crankcase Drain Plug | 0107 | 39AX23 | Gasket, Valve Plug | 0302 | 855282 |
| Gasket, Main Body | 0301 | P16844 | Gasket, Valve Spring Cover | 0105 | 1BG220 |
| Gasket, Main Body | 0301 | P17496 | Gasket, Water Pump Cover | 0503 | 606GB11 |
| Gasket, Main Discharge Jet | 0301 | P21372 | Gasket, Water Pump Housing & Cylinder | 0503 | 610GB12 |
| Gasket, Main Discharge Jet Nut | 0301 | P5636 | Gasket, Wiper | 1801 | 88 |
| Gasket, Main Drive Pinion Bearing Cover | 0701 | 633KB11 | Gasket, Wiper | 1801 | 89 |
| Gasket, Master Cylinder Filler Cap | 1205 | 10EHW9 | Gauge, Air | 0605 | 10EJ139 |
| Gasket, Master Cylinder Outlet Fitting | 1205 | 11BLH3 | Gauge, Auxiliary Gas Tank | 0304 | 16MBC37P30 |
| | | | Gauge Cluster | 0605 | 5MTC31P1 |
| | | | Gauge Cluster | 0605 | 5MTC31P3 |
| | | | Gauge, Gas | 0605 | 15EJ329-7 |
| | | | Gauge, Gas | 0304 | 16MG37P30 |
| | | | Gauge, Oil | 0107 | 15EJ329-8 |
| | | | Gauge, Oil | 0605 | 15EJ329-8 |

ALPHABETICAL INDEX

| Description | QMC Group | Part. No. | Description | QMC Group | Part. No. |
|--|--------------|------------|---------------------------------------|--------------|-----------|
| Gear, Auxiliary Countershaft | 0704 | 752KB26 | Governor | 0305 | 708GB425B |
| Gear, Auxiliary Spline Shaft Assembly | 0704 | 741KBA121 | Governor Assembly | 1213 | 205469 |
| Gear, Bevel | 1104 | 47KH413 | Grille, Carburetor Air Intake | 0301 | 41MD21 |
| Gear, Differential Side | 1104 | 11EH320 | Grille, Radiator | 0501 | 4EH52 |
| Gear, Differential Side | 1104 | 34KH32 | Grille, Radiator | 0501 | 4EH513 |
| Gear, First Speed Sliding | 0704 | 736KB21A | Grommet, Cowl Vent Drain Tube | 1800 | 87AX3 |
| Gear, First Speed Sliding | 0704 | 736KB22A | Grommet, Foot Valve | 1213 | 210039 |
| Gear, Flywheel Ring | 0109 | 673GB221 | Grommet, Gas Line Tube | 0304 | 15AB11361 |
| Gear, Fourth Speed Countershaft & Spline Shaft | 0704 | 19KBA172 | Grommet, Headlamp Bracket | 0607 | 5EH211 |
| Gear, Governor Drive | 0305 | 2BG140 | Grommet, Headlamp Wire Rubber | 0607 | 87AX7 |
| Gear, Mating | 1403 | 12KFA15A | Grommet, Ignition Coil Dash Sheet | 0604 | 5BJ139 |
| Gear, Oil Pump Driving Shaft | 0107 | 6BG13A | Grommet, Rubber | 0601 | 1879663 |
| Gear, Overspeed Countershaft & Spline Shaft Assembly | 0704 | 19KBA169 | Grommet, Spark Plug Wire | 0604 | 5BG1181 |
| Gear, Power Take Off | 0704 | 757KB22 | Grommet, Speedometer Cable Dash Sheet | 2203 | 87AX1 |
| Gear, Power Take Off | 0704 | 757KB23 | Grommet, Stop & Tail Lamp Wire | 0608 | 87AX7 |
| Gear, Rear Brake Slack Adjuster Worm | 1203 | 27QD12APL | Grommet, Tail Lamp Rubber Wire | 0606 | 15AB11361 |
| Gear, Reverse | 0704 | 763KB21 | Grommet, Throttle Control | 0303 | 87AX1 |
| Gear, Reverse | 0704 | 763KB22 | Grommet, Windshield Wiper Tube | 1801 | 5AB1117 |
| Gear, Second Speed Sliding | 0704 | 738KB21A | Grommet, Wiring Harness Dash | 0606 | 5AB1117 |
| Gear, Second Speed Sliding | 0704 | 738KB22A | Guard, Booster Valve Rod | 1211 | BK13866 |
| Gear Service Assembly, Timing | 0106 | 688GBA14 | Guard, Drive Shaft | 0901 | 9EM113 |
| Gear Service Assembly, Timing | 0106 | 688GBA13 | Guard, Drive Shaft | 0901 | 30MU121 |
| Gear, Speedometer Drive | 0705 | 773KB126 | Guard, Drive Shaft | 0901 | 120AX17 |
| Gear, Spur | 1104 | 11EH321 | Guard, Piston Rod | 1210 | BK21317 |
| Gear, Steering | 1403 | 20QC434P14 | Guide, Cab Door Glass | 1805 | 42QS11 |
| Gear, Steering | 1403 | 20QC424P18 | Guide, Foot Valve Spring | 1213 | 210075 |
| Gears, Third Speed Countershaft & Spline Shaft | 0704 | 19KBA168 | Guide, Front Brake Chamber Push Rod | 1213 | 211158 |
| Gear & Bushing Assembly, Oil Pump Idler | 0107 | 6BG113A | Guide, Inlet & Exhaust Valve | 0105 | 714GB146 |
| Gear & Pinion Mated Assemblies, Bevel | 1104 | 24KHA122 | Guide, Relay Valve Diaphragm | 1213 | 204650 |
| Gear & Shaft Assembly | 0603 | 1863012 | Guide, Valve Governor | 1213 | 201519 |
| Generator | 0601 | 2MJ338 | Guide, Water Pump Seal Spring | 0503 | 719GB11 |
| Generator | 0601 | 2MJ343 | Gun, Hydraulic Alemite | 2306 | 16EH122 |
| Glass, Cab Door | 1809 | 40QS32 | Gusset, Hood Support LH | 1704 | 15EH3102 |
| Glass, Rear Window | 1809 | 15EH247 | Gusset, Hood Support RH | 1704 | 15EH3101 |
| Glass, Windshield | 1809 | 9QT29 | Gusset, Steering Post Bracket | 1405 | 15EJ323 |
| Glass, Windshield | 1809 | 9QT28 | Gusset, Steering Post Bracket | 1405 | 25QC31 |
| Governor | 1213 | 10BK294 | | | |
| Governor | 0305 | 708GB215 | | | |

ALPHABETICAL INDEX

| Description | QMC Group | Part. No. | Description | QMC Group | Part. No. |
|---|--------------|------------|--|--------------|-------------|
| Gutter, Cab Roof Rain | 1800 | 132QS32 | Hook, Accelerator Pedal | | |
| Gutter, Cab Roof Rain | 1800 | 132QS33 | Retractor Spring | 0303 | 10AB11970 |
| Gutter, Cab Roof Rain | 1800 | 132QS31 | Hook, Coat | 1800 | 27QS11 |
| | | | Horn | 0609 | 38MR33P1 |
| Hair, Booster Valve, Air Cleaner | 1211 | BK11192 | Hose, Air Cleaner Pipe Connecting | 0301 | 160AX107 |
| Hair, Compressor Air Cleaner Curled | 1213 | 146SB11 | Hose, Booster Valve to Booster Cylinder Lower | 1211 | 105AX125 |
| Hammer, Ball Pien | 2306 | 16EH121-11 | Hose, Booster Valve to Booster Cylinder Upper | 1211 | 105AX119 |
| Handle, Cab Door (Ins) | 1805 | 15EH174 | Hose, Booster Valve to Booster Cylinder Upper | 1211 | 105AX120 |
| Handle, Cab Door (Out) | 1805 | 15EH173 | Hose, Front Wheel Brake Flexible | 1209 | 42QE23P1 |
| Handle, Cab Door (Out) | 1805 | 15EJ147 | Hose Assembly, Front Wheel Flexible | 1211 | 31QEA25P1 |
| Handle, Grab | 1800 | 15CJ2331 | Hose Assembly, Front Wheel Flexible | 1211 | 31QEA25P2 |
| Handle, Grab | 1800 | 189QS23P2 | Hose, Radiator Filler Water Inlet | 0505 | 160AX109 |
| Handle, Hand Control Valve | 1213 | 203259 | Hose, Radiator Water Filler | 0505 | 160AX103 |
| Handle, Hood | 1704 | 15AC140 | Hose, Radiator Water Inlet | 0505 | 160AX52 |
| Handle, Hood | 1704 | 15EH12 | Hose, Rear Brake Flexible | 1209 | 42QE23P1 |
| Handle, Hood | 1704 | 15EH11 | Hose, Relay Valve | 1211 | 31QE25P6 |
| Handle, Spark Plug Wrench | 2306 | 16EH121-3 | Hose, Trailer Connection | 1211 | 10AC103818A |
| Handle, Windshield Regulator | 1801 | 15EH162 | Hose, Wiper Rubber | 1801 | 848 |
| Hanger, Float | 0301 | P16761 | Housing Assembly | 0607 | CB11402 |
| Hanger, Float | 0301 | P17500 | Housing Assembly | 0608 | CB5058 |
| Hanger, Muffler & Pipe | 0401 | 3EH11A | Housing, Booster Valve (Front) | 1211 | BK21841 |
| Hanger, Muffler & Pipe | 0401 | 3EH12A | Housing Assembly, Carrier | 1103 | 64KHA23 |
| Hanger, Spark Tire | 1505 | 16RE210 | Housing Assembly, Carrier | 1103 | 64KHA32 |
| Hanger, Spark Tire | 1505 | 16RE211 | Housing, Center Bearing | 0903 | 9CJA111-1 |
| Harness, Cab Wiring | 0606 | 41MR319 | Housing, Center Bearing | 0903 | 141SJ13 |
| Harness, Chassis Wiring | 0606 | 41MR320 | Housing, Compressor Drive | 0112 | 18G393B |
| Harness, Chassis Wiring | 0606 | 41MR321 | Housing, Distributor | 0603 | 184004 |
| Head Complete, Compres- sor Cylinder | 1213 | 217490 | Housing, Distributor | 0603 | 1864867 |
| Head Assembly, Cylinder | 0101 | 732GBA161 | Housing, Front Slack Adjuster | 1203 | 28QD26P1 |
| Head Assembly, Cylinder | 0101 | 732GBA170 | Housing, Intermediate Booster Valve | 1211 | BK21839 |
| Head, Drive | 0602 | 1848530 | Housing, Motor Drive | 0602 | 1863631 |
| Headlamp | 0607 | 2MOA33P9 | Housing Assembly, Oil Slinger | 0102 | 759GBA11B |
| Hinge, Cab Door LH | 1805 | 8RU14 | Housing Assembly, Rear Axle (Air) | 1101 | 19QF36 |
| Hinge, Cab Door RH | 1805 | 8RU13 | Housing Assembly, Rear Axle (Hyd) | 1101 | 19QF47 |
| Hinge, Cowl Vent | 1800 | 15EH113 | Housing, Rear Slack Adjuster | 1203 | 28QD37P7 |
| Hinge, Hood Complete | 1704 | 15EM29A | | | |
| Hinge, Tailgate (Lower) | 1807 | 6439 | | | |
| Hinge, Tailgate (Upper) | 1807 | 7429 | | | |
| Hinge, Windshield LH | 1801 | 2QT22A | | | |
| Hinge, Windshield RH | 1801 | 2QT21A | | | |
| Holder, Brush | 0602 | 810226 | | | |
| Holder Assembly, Choke Tube | 0301 | P19977 | | | |
| Holder, Main Brush | 0601 | 1838339 | | | |
| Holder, Tube | 0301 | P19977 | | | |
| Hood | 1704 | 15EH534 | | | |
| Hood Assembly | 1704 | 1QMA42P1 | | | |
| Hood Complete | 1704 | 15EM51A | | | |
| Hood, Engine Complete | 1704 | 96QMA47 | | | |
| Hood, Parking Lamp | 0607 | CB11405 | | | |

ALPHABETICAL INDEX

| Description | QMC Group | Part. No. | Description | QMC Group | Part. No. |
|---|--------------|------------|--|--------------|------------|
| Housing, Rear Water Pump | 0503 | 771GB46A | Jaw | 1507 | 16ST379-9 |
| Housing, Steering Gear | 1403 | 14KFA35 | Jaw | 1507 | 16ST379-10 |
| Housing Sub Assembly | 0608 | CB5059 | Jaw, Crankshaft Starting | 0102 | 1BG1233A |
| Housing & Cup Assembly, Bevel Pinion | 1103 | 11CLA224A | Jet Assembly, By-pass | 0301 | P16786 |
| Housing & Idler Gear Shaft Assembly, Oil Pump | 0107 | 6BG115 | Jet, Main Discharge | 0301 | P17250 |
| Housing & Rubber Assembly, Center Bearing | 0903 | 36MUA13 | Jet, Metering | 0301 | P15384 |
| Hub, Fan Driving Pulley | 0503 | 1BG2174B | Jet, Pump By-pass | 0301 | P16786 |
| Hub, Water Pump Pulley | 0503 | 786GB11 | Jet & Small Venturi Assembly, Main Discharge | 0301 | P16863 |
| Indicator, Heat | 0502 | 15EJ329-9 | Joint, Accelerator Ball | 0303 | 98QB13 |
| Indicator Complete, Oil Level | 0107 | 795GB226 | Journal Assembly | 0902 | 9BGS44 |
| Indicator Complete, Oil Level | 0107 | 795GB227 | Journal Assembly | 0902 | 9BGS48 |
| Indicator, Heat | 0502 | 161SD11 | Keeper Assembly, Cab Door Lock LH | 1805 | 186QS12 |
| Indicator, Timing | 0106 | 796GB19 | Keeper Assembly, Cab Door Lock LH | 1805 | 186QS12 |
| Insert, Exhaust Valve Seat | 0101 | 13GC210 | Keeper Assembly, Cab Door Lock RH | 1805 | 186QS11 |
| Insulation, Terminal Stud | 0601 | 810460 | Keeper Assembly, Cab Door Lock RH | 1805 | 186QS11 |
| Insulator, Cab Rear Mounting (Bottom) | 1803 | 37MF201 | Key, Bevel Gear | 1104 | 42AX286 |
| Insulator, Cab Rear Mounting (Top) | 1803 | 1CQ204 | Key, Camshaft Gear | 0106 | 42AX214 |
| Insulator, Case | 0605 | 15EJ329-1 | Key, Clutch & Brake Pedal Shaft | 0204 | 42AX348 |
| Insulator, Engine Front Support | 0110 | 14CG240 | Key, Clutch Pedal | 0204 | 42AX282 |
| Insulator, Engine Rear Support (Bottom) | 0110 | 1CQ2025 | Key, Clutch Pedal Shaft | 0204 | 42AX254 |
| Insulator, Engine Rear Support (Top) | 0110 | 1CQ2018 | Key, Clutch Sleeve | 0202 | 7EHB8 |
| Insulator, Front Spring Rubber Shock | 1602 | 13BG22 | Key, Clutch Throwout Shaft | 0203 | 43AX9 |
| Insulator, Front Spring Rubber Shock | 1602 | 13BG212 | Key, Compressor Crankshaft | 1213 | 202927 |
| Insulator, Fuel Pump | 0302 | 2CU11 | Key, Compressor Drive Gear | 0112 | 42AX42 |
| Insulator, Gas Gauge Case | 0605 | 15EH313-18 | Key, Compressor Unloader Valve | 1213 | 203104 |
| Insulator, Hood Mounting | 1704 | 1CQ204 | Key, Countershaft Gear | 0704 | 42AX339 |
| Insulator, Hood Mounting | 1704 | 37MF201 | Key, Countershaft Gear | 0704 | 42AX318 |
| Insulator Low Tension Wire Terminal | 0604 | 5AB11280 | Key, Crankshaft Gear | 0102 | 42AX25 |
| Insulator, Radiator Filler Spout | 0501 | 49MF11 | Key, Drive Flange | 0901 | 42AX77 |
| Insulator, Rear Spring Shock | 1602 | 13BG22 | Key, Emergency Brake Cross Shaft Lever | 1201 | 42AX10 |
| Insulator, Stop Light Switch Wire Terminal | 0608 | 5AB11280 | Key, Emergency Brake Lever | 1201 | 42AX10 |
| Insulator, Tiltray Switch Wire Terminal | 0607 | 31MR11 | Key, Fan Driving Pulley | 0503 | 42AX25 |
| Jack | 2306 | 9RC15 | Key, Fourth Speed Gear Sleeve | 0704 | 43AX22 |
| | | | Key, Governor Drive Gear | 0305 | 43AX29 |
| | | | Key, Hood Door Lock | 1704 | 15CL1422 |
| | | | Key, Oil Pump Driving Shaft | 0107 | 42AX142 |
| | | | Key, Spline Shaft Thrust Washer | 0704 | 151KC12 |
| | | | Key, Spline Shaft Thrust Washer | 0704 | 151KC13 |

ALPHABETICAL INDEX

| Description | QMC Group | Part. No. | Description | QMC Group | Part. No. |
|-----------------------------|--------------|-----------|-------------------------|--------------|------------|
| Key, Steering Arm | 1007 | 42AX372 | Lever, Clutch Release | | |
| Key, Valve Spring Washer | 0105 | 1BG1371A | Shaft | 0204 | 14RU123 |
| Key, Water Pump Pulley | 0503 | 42AX28 | Lever, Compressor Un- | | |
| Key, Water Pump Rotor | 0503 | 42AX291 | loader | 1213 | 215210 |
| Key, Woodruff | 0602 | 124546 | Lever, Control | 1213 | 50QE13 |
| Key, Woodruff | 0601 | 124548 | Lever, Cowl Vent | | |
| Kicker & Rivet Assem- | | | Operating | 1800 | 15EH28 |
| bly, Wiper | 1801 | 1722 | Lever, Emergency Brake | 1201 | 12RU180 |
| Kit, Carburetor Repair | 0301 | 203SB16 | Lever, Emergency Brake | | |
| Kit, Carburetor Repair | 0301 | 203SB17 | Cross Shaft | 1201 | 12RU15 |
| Kit, Diaphragm | 0302 | 201SB13 | Lever Assembly, Emer- | | |
| Kit, Repair | 1210 | 371705 | gency Brake Hand | 1201 | 169KC210A |
| Kit, Repair for RXL | | | Lever Assembly, Emer- | | |
| Booster Valve | 1211 | 370658 | gency Brake Hand | 1201 | 169KCA318 |
| Kit, Universal Joint | | | Lever, Governor | | |
| Repair | 0902 | 201SJ13 | Throttle | 0305 | G6594 |
| Kit, Universal Joint | | | Lever, Governor Valve | | |
| Repair | 0902 | 201SJ14 | Shaft | 0305 | G6200 |
| Kit, Water Pump Repair | 0503 | 202SB12 | Lever, Main Brush | | |
| Knob, Cab Door Lock | 1805 | 187QS11 | Tension | 0601 | 1877949 |
| Knob, Gas Tank Filler | | | Lever & Bushing Assem- | | |
| Spout Door | 1800 | 73AX20 | bly, Master Cylinder | 1212 | 21RUA171P8 |
| Knob, Hood Louvre Panel | 1704 | 73AX20 | Lever & Bushing Assem- | | |
| Knuckle & Bushing As- | | | bly, Master Cylinder | 1212 | 21RUA172P3 |
| sembly, Steering LH | 1007 | 19QHA14 | Lever, Shifter | 0706 | 168KC38 |
| | | | Lever, Shifter | 0706 | 168KC317 |
| Lacing, Hood | 1800 | 136AX48 | Lever, Steering Gear | 1403 | 10EH218 |
| Lamp, Dome | 0608 | 5EH133 | Lever, Steering Gear | 1403 | 9QC214 |
| Lamp, Indicator | 0605 | 36MOC15P1 | Lever, Throttle | 0301 | P20216 |
| Lamp, Stop & Tail | 0608 | 14M027P1 | Lever Assembly, | | |
| Latch, Hood | 1704 | 3QM11 | Throttle | 0301 | P13498-K1 |
| Latch, Hood | 1704 | 15EH14 | Lever, Throttle Loose | 0301 | P19892 |
| Latch, Hood | 1704 | 15EH13 | Lever Assembly, | | |
| Latch, Lever | 1507 | 16ST379-4 | Throttle Loose | 0301 | P19892 |
| Lead Assembly | 0603 | 1883391 | Lifter, Valve | 0105 | 1BG15B |
| Lead, Brush & Field | | | Line, Gas (LH Tank) | 0304 | 108AX104 |
| Connector | 0602 | 819362 | Line, Gas (RH Tank) | 0304 | 108AX55 |
| Lead, Brush Ground | 0602 | 813554 | Lining, Front Brake | 1202 | 3QD207 |
| Leaves, Front Spring | 1601 | 222SU111 | Lining, Front Brake | | |
| Leaves, Helper Spring | 1601 | 233SU46 | Shoe F'wd | 1202 | 222SM26 |
| Leaves, Rear Spring | 1601 | 222SU114 | Lining, Front Brake | | |
| Lens | 0608 | CB700 | Shoe Rev. | 1202 | 222SM27 |
| Lens, License | 0608 | CB425 | Lining, Rear Brake Shoe | 1202 | 3QD31P1 |
| Lens, Parking | 0607 | CB6412 | Lining, Rear Brake | | |
| Lever | 1507 | 16ST379-3 | Shoe F'wd | 1202 | 3QD2032 |
| Lever, Auxiliary Shifter | 0706 | 166KC34 | Lining, Rear Brake | | |
| Lever, Booster Valve | | | Shoe Rev. | 1202 | 3QD2034 |
| Operating | 1211 | 371641 | Link | 0302 | 855574 |
| Lever Assembly, Choke | 0301 | P16799 | Link, Adjusting | 0601 | 4MJ121 |
| Lever, Choke | 0301 | P18857 | Link Booster Valve | | |
| Lever, Clutch Pedal | | | Spring | 1211 | 370561 |
| Shaft | 0204 | 10EH139 | Link, Drag | 1401 | 13QC34P1 |
| Lever, Clutch Pedal | | | Link, Drag | 1401 | 13QC314P1 |
| Shaft | 0204 | 12RU110 | Link, Emergency Brake | | |
| Lever, Clutch Pressure | 0202 | 7EHB6 | Spacer | 1201 | 53MW17P1 |
| Lever, Clutch Pressure | 0202 | 221SC11 | Link, Master Cylinder | | |
| Lever, Clutch Release Shaft | 0204 | 12RU122 | Connecting | 1205 | 10EHW2 |

ALPHABETICAL INDEX

| Description | QMC Group | Part. No. | Description | QMC Group | Part. No. |
|-------------------------|--------------|-----------|--------------------------|--------------|------------|
| Link & Yoke, Front | | | Lockwasher, Compressor | | |
| Wheel Cylinder Con- | | | Crankshaft Bearing | | |
| necting Assembly | 1207 | 12EHW16 | Lock Nut | 1213 | 202895 |
| Lock, Bevel Gear Screw | 1104 | 70KH12 | Lockwasher, Compressor | | |
| Lock, Cab Door LH | 1805 | 184QS22 | Rear End Cover Stud | 1213 | 202982 |
| Lock, Cab Door RH | 1805 | 184QS21 | Lockwasher, Compressor | | |
| Lock, Differential | | | Unloader Cover Screw | 1213 | 36AX1 |
| Bearing Cup | 1103 | 37AX261 | Lockwasher, Countershaft | | |
| Lock, Glove Compartment | | | Front Bearing Retainer | | |
| Door | 1800 | 15EJ125 | Screw | 0701 | 35AX295 |
| Lock, Hood Door LH | 1704 | 62QS12 | Lockwasher, Cowl Mount- | | |
| Lock, Hood Door RH | 1704 | 62QS11 | ing Bolt | 1803 | 36AX5 |
| Lock, Reverse Shaft | 0704 | 207KC12 | Lockwasher, Crankcase | | |
| Lock, Worm Shaft Bear- | | | Breather Pipe Mounting | | |
| ing Adjusting Nut | 1403 | 10CW135 | Screw | 0101 | 36AX22 |
| Lock, Worm Shaft Bear- | | | Lockwasher, Crankshaft | | |
| ing Cover Screw | 1403 | 53KF12 | Starting Jaw | 0102 | 1CF127 |
| Locknut, Foot Valve | | | Lockwasher, Double | | |
| Treadle Adjust Screw | 1213 | 202961 | Check Valve | 1213 | 203567 |
| Lockwasher | 0607 | CB-303 | Lockwasher, Front Hub | | |
| Lockwasher | 1210 | 40-S-4 | Oil Slinger Screw | 1208 | 36AX2 |
| Lockwasher, Adjusting | | | Lockwasher, Gas Line | | |
| Link Mounting Screw | 0601 | 36AX3 | Support Bracket to | | |
| Lockwasher, Air Cleaner | | | Frame | 0304 | 36AX3 |
| Pipe Bracket Bolt | 0301 | 36AX1 | Lockwasher, Gas Tank | | |
| Lockwasher, Air Cleaner | | | Mounting Bolt | 0304 | 36AX5 |
| Pipe Bracket Stud Nut | 0301 | 36AX22 | Lockwasher, Generator & | | |
| Lockwasher, Auxiliary | | | Adjusting Link Screw | 0601 | 36AX2 |
| Case Dowel Bolt | 0701 | 36AX5 | Lockwasher, Generator | | |
| Lockwasher, Auxiliary | | | Pulley Fan Bolt | 0601 | 36AX17 |
| Transmission Case Stud | 0701 | 36AX5 | Lockwasher, Generator | | |
| Lockwasher, Booster | | | to Support Bracket | | |
| Valve | 1211 | 40-S-2 | Mounting Bolt Nut | 0601 | 36AX4 |
| Lockwasher, Booster | | | Lockwasher, Generator | | |
| Valve | 1211 | 40-S-31 | Support Bracket Mount- | | |
| Lockwasher, Booster | | | ing Screw | 0601 | 36AX5 |
| Valve | 1211 | 40-S-49 | Lockwasher, Governor | 1213 | 201543 |
| Lockwasher, Brush Lead | | | Lockwasher, Governor | 1213 | 201556 |
| Attaching Screw | 0602 | 106497 | Lockwasher, Governor | | |
| Lockwasher, Carburetor | | | Body Cap Screw | 0305 | X540 |
| Air Intake Grille Screw | 0301 | 36AX20 | Lockwasher, Governor | | |
| Lockwasher, Choke Tube | | | to Crankcase Screw | 0305 | 36AX3 |
| Holder Attaching Screw | 0301 | P3157 | Lockwasher, Hand Con- | | |
| Lockwasher, Compressor | | | trol Valve Cover to | | |
| Air Cleaner Adapter | | | Body Bolt | 1213 | 202982 |
| Screw | 1213 | 36AX1 | Lockwasher, Main Body | | |
| Lockwasher, Compressor | | | Attaching Screw | 0301 | P5364 |
| Air Cleaner Hole Cover | | | Lockwasher, Main Drive | | |
| Screw | 1213 | 36AX1 | Pinion Bearing Cover | | |
| Lockwasher, Compressor | | | Screw | 0701 | 36AX3 |
| Air Cleaner Screw | 1213 | 36AX1 | Lockwasher, Mounting | | |
| Lockwasher, Compressor | | | Bolt | 0608 | CB-298 |
| Base Cover Bolt | 1213 | 36AX1 | Lockwasher, Oil Gauge | | |
| Lockwasher, Compressor | | | Lock Nut | 0107 | 15EH313P27 |
| Crankcase Stud | 1213 | 202983 | | | |

ALPHABETICAL INDEX

| Description | QMC Group | Part. No. | Description | QMC Group | Part. No. |
|---|--------------|-----------|--|--------------|-----------|
| Lockwasher, Oil Slinger Housing (Lower) & Crankcase Screw | 0102 | 36AX3 | Mat, Engine Hodd | 1704 | 114QM41 |
| Lockwasher, Oil Slinger Housing (Upper) & Crankcase Screw | 0102 | 36AX2 | Mats, Floor | 1802 | 21QR273 |
| Lockwasher, Power Take-Off Cover Screw | 0701 | 35AX295 | Mat, Running Board LH | 1703 | 81QM32 |
| Lockwasher, Pull Rod Nut | 0302 | 855390 | Mat, Running Board RH | 1703 | 81QM31 |
| Lockwasher, Regulator Armature Screw | 0601 | 20793 | Mat, Trap Door | 1802 | 21QR11 |
| Lockwasher, Regulator Contact Attaching Screw | 0601 | 1878505 | Mirror, Rear View | 2201 | 72QS234P2 |
| Lockwasher, Relay Armature Screw | 0601 | 802730 | Motor Assembly, RSB301 | 1801 | 56301 |
| Lockwasher, Relay Valve | 1213 | 202982 | Moulding, Cab Door Garnish LH | 1805 | 38QS32P1 |
| Lockwasher, Reverse Gear Shaft Screw | 0704 | 35AX295 | Moulding, Cab Door Garnish RH | 1805 | 38QS31P1 |
| Lockwasher, Rod End | 1210 | BK11046 | Moulding, Cab Sill Scuff LH | 1800 | 11QS12 |
| Lockwasher, Sealed Beam Unit Retainer Ring Screw | 0607 | CB296 | Moulding, Cab Sill Scuff RH | 1800 | 11QS11 |
| Lockwasher, Shifter Cover End Plate | 0706 | 35AX180 | Muffler & Tail Pipe, Assembly | 0401 | 2ME22P1 |
| Lockwasher, Spline Shaft Rear Bearing Cover Screw | 0701 | 35AX295 | Nipple, Air Compressor | 1211 | 63AX723 |
| Lockwasher, Spline Shaft Rear Bearing Cover Stud Nut | 0701 | 36AX7 | Nipple, Air Reservoir Safety Valve | 1211 | 63AX62 |
| Lockwasher, Starting Motor Mounting Bolt | 0602 | 36AX3 | Nipple, Booster Cylinder Connection | 1211 | 63AX1558 |
| Lockwasher, Starting Switch Mounting Screw | 0602 | 36AX1 | Nipple, Booster Cylinder Connection | 1211 | 63AX1086 |
| Lockwasher, Top Cover Screw | 0302 | 855064 | Nipple, Booster Cylinder Connection | 1211 | 63AX70 |
| Lockwasher, Transmission Upper Shifter Cover | 0706 | 36AX3 | Nipple, Booster Cylinder to Master Cylinder Hose | 1211 | 10AK1390 |
| Lockwasher, Tube Holder Attaching Screw | 0301 | P3157 | Nipple, Booster Valve to Booster Cylinder Hose | 1211 | 63AX1152 |
| Lockwasher, Valve Screw | 0301 | P1693 | Nipple, Foot Valve | 1211 | 63AX62 |
| Loom, Compressor Oil Tube | 0107 | 1BG1664 | Nipple, Front Brake Chamber & Frame Connection | 1211 | 63AX102 |
| Loom, Fuel Pump to Carburetor Tube | 0302 | 115AX14 | Nipple, Rear Wheel Flex. Hose Connection | 1211 | 63AX102 |
| Loom, Horn Circuit | 0606 | 114AX56 | Nut, (3/8" SAE) | 1807 | 20AX3 |
| Loom, Windshield Wiper Tube | 1801 | 113AX24 | Nut, (5/8" SAE) | 1807 | 21AX38 |
| Loom, Wiring Harness | 0606 | 200AX5 | Nut, Accelerator Pedal Bracket | 0303 | 22AX1 |
| Loop, Chain | 1807 | 6443 | Nut, Accelerator Retractor Spring Mounting Clamp Screw | 0303 | 53AX6 |
| Lug, Rear Wheel Rim Clamping | 1301 | 15QJ21 | Nut, Accelerator Rod Clevis Adjusting | 0303 | 20AX1 |
| Lug, Rim Clamping | 1301 | 15QJ121A | Nut, Accelerator Shaft Bracket Mounting Bolt | 0303 | 20AX1 |
| Manifold, Cylinder Water | 0505 | 1BG1651 | Nut, Air Brake Connection | 1211 | 20AX16 |
| Manifold Assembly, Inlet | 0108 | 105GCA14A | Nut, Air Brake Tubing Clamp Screw | 1211 | 53AX1 |
| Manifold Assembly, Inlet | 0108 | 105GCA15A | Nut, Air Cleaner Pipe Bracket Bolt | 0301 | 20AX1 |
| Manifold Assembly, Inlet | 0108 | 2BGA160 | | | |
| Manifold & Stud Assembly, Exhaust | 0108 | 3BGA148 | | | |

ALPHABETICAL INDEX

| Description | QMC Group | Part. No. | Description | QMC Group | Part. No. |
|--|--------------|------------|--|--------------|-----------|
| Nut, Air Cleaner Pipe Bracket Bolt | 0301 | 20AX3 | Nut, Booster Valve & Master Cylinder Mount- ing Stud Pal | 1205 | 123AX37 |
| Nut, Air Cleaner Pipe Bracket Stud | 0301 | 1AB11108 | Nut, Booster Valve to Pedal Clevis | 1212 | 20AX5 |
| Nut, Air Cleaner Shroud Spud | 0301 | 155AX7 | Nut, Brake Chamber Mounting Bolt | 1213 | 20AX5 |
| Nut, Air Cleaner Wing | 0301 | A7019 | Nut, Brake Pedal Stop Screw | 1204 | 22AX2 |
| Nut, Air Compressor Titeflex Tube | 1211 | 63AX355 | Nut, Brush Holder Stud | 0601 | 5024654 |
| Nut, Air Gauge Tube | 1211 | 63AX1005 | Nut, Cab & Apron Sup- port Mounting Bolt | 1702 | 20AX1 |
| Nut, Air Line at Hand Control Valve | 1211 | 63AX1006 | Nut, Cab Cowl & Apron Mounting Bolt | 1702 | 20AX3 |
| Nut, Air Reservoir Clamp Rod | 1213 | 20AX3 | Nut, Cab Door Check Pal | 1805 | 22AX1 |
| Nut, Air Reservoir Out- let Connection | 1211 | 63AX355 | Nut, Cab Door Check Pal | 1805 | 123AX9 |
| Nut, Air Reservoir Tube | 1211 | 63AX1005 | Nut, Cab Door Handle Screw | 1805 | 20AX1 |
| Nut, Air Reservoir Tube | 1211 | 63AX355 | Nut, Cab Door Window Stop Bracket Screw | 1805 | 53AX6 |
| Nut, Ammeter Pal | 0605 | 15EJ329-2 | Nut, Cab Rear Mounting Bolt | 1803 | 21AX346 |
| Nut, Ammeter Stud Pal | 0605 | 123AX40 | Nut, Cab Rear Mounting Bolt Pal | 1803 | 123AX36 |
| Nut, Ammeter Terminal | 0605 | 15EH313-16 | Nut, Cab Support Channel | 1506 | 20AX3 |
| Nut, Apron Support Bracket | 1702 | 22AX19 | Nut, Camshaft Thrust Screw Lock | 0106 | 21AX58 |
| Nut, Auxiliary Case Dowel | 0701 | 20AX5 | Nut, Carburetor Air In- take Grille Screw | 0301 | 53AX18 |
| Nut, Auxiliary Fuel System Four Way Valve Mounting Screw | 0304 | 22AX5 | Nut, Carburetor Drain Fitting Connection | 0304 | 63AX361 |
| Nut, Auxiliary Gas Tank Gauge Fitting | 0304 | 63AX290 | Nut, Carburetor Flange Stud | 0301 | 20AX3 |
| Nut, Auxiliary Sealing Felt Screw | 1802 | 53AX1 | Nut, Carburetor Flange Stud | 0301 | 20AX4 |
| Nut, Auxiliary Trans- mission Case Stud | 0701 | 20AX5 | Nut, Center Bearing Clamp Bolt | 0903 | 23AX104 |
| Nut, Bail Thumb | 0302 | 855763 | Nut, Center Bearing End Cover | 0903 | 20AX2 |
| Nut, Battery Clamp Bolt | 1803 | 20AX3 | Nut, Center Bearing Mounting | 0903 | 20AX5 |
| Nut, Battery Cradle Mounting Bolt | 1803 | 20AX3 | Nut, Center Bearing Sleeve | 0903 | 9CJA111-7 |
| Nut, Battery Cradle Mounting Bolt | 1803 | 20AX5 | Nut, Center Bearing Sleeve | 0901 | 23AX144 |
| Nut, Bevel Gear Thrust Screw | 1104 | 21AX35 | Nut, Center Bearing Support | 0903 | 20AX7 |
| Nut, Bevel Pinion | 1104 | 21AX237 | Nut, Center Bearing Support Pal | 0903 | 123AX36 |
| Nut, Bevel Pinion | 1104 | 23AX224 | Nut at Check Valve | 1211 | 63AX355 |
| Nut, Bevel Pinion | 1104 | 21AX355 | Nut, Check Valve Con- nection | 1211 | 63AX1006 |
| Nut, Booster Hose Clamp Screw | 1211 | 20AX2 | Nut, Check Valve Mounting Bolt | 1211 | 20AX1 |
| Nut, Booster Valve & Clevis Adjusting | 1212 | 20AX5 | Nut, Check Valve to Tee Tube | 1211 | 63AX355 |
| Nut, Booster Valve Disc Adj. | 1211 | BK18371 | | | |
| Nuts, Booster Valve | 1211 | 30-S-2 | | | |
| Nut, Booster Valve & Master Cylinder Mount- ing Stud | 1205 | 20AX8 | | | |
| Nut, Booster Valve & Master Cylinder Mount- ing Stud | 1205 | 21AX56 | | | |

ALPHABETICAL INDEX

| Description | QMC Group | Part. No. | Description | QMC Group | Part. No. |
|---|--------------|-----------|---|--------------|-----------|
| Nut, Check Valve Tube Clamp | 1211 | 53AX1 | Nut, Differential Cas- ing Cover Bolt | 1103 | 21AX173 |
| Nut, Check Valve Tube Clamp | 1211 | 20AX3 | Nut, Double Check Valve Hex. | 1213 | 203147 |
| Nut, Choke & Throttle Control Wire | 0303 | 21AX263 | Nut, Drive Flange | 0901 | 21AX280 |
| Nut, Clamp Arm to Con- trol Rod Screw | 0603 | 5024654 | Nut, Drive Flange | 0901 | 21AX285 |
| Nut, Clamp Screw | 0603 | 802818 | Nut, Drive Flange | 0901 | 21AX101 |
| Nut, Clutch & Brake Pedal Bracket Mounting | 0204 | 20AX3 | Nut, Drive Flange | 0901 | 23AX6 |
| Nut, Clutch & Brake Pedal Stop | 0204 | 22AX2 | Nut, Drive Flange Bolt | 0901 | 20AX3 |
| Nut, Clutch Link Clevis | 0204 | 20AX5 | Nut, Drive Flange Bolt | 0901 | 20AX5 |
| Nut, Clutch Release Pedal Shaft Lever | 0204 | 20AX3 | Nut, Drive Shaft Bolt | 0901 | 20AX3 |
| Nut, Compressor Air Outlet Flange Stud | 1213 | 20AX2 | Nut, Drive Shaft Bolt | 0901 | 20AX5 |
| Nut, Compressor Con- necting Rod Bolt | 1213 | 203021 | Nut, Drive Shaft Guard | 0901 | 20AX3 |
| Nut, Compressor Crank- case Stud | 1213 | 203004 | Nut, Drive Shaft Guard Support | 0901 | 20AX5 |
| Nut, Compressor Crank- shaft | 1213 | 203395 | Nut, Dummy Coupling Block Screw | 1211 | 22AX1 |
| Nut, Compressor Crank- shaft Bearing Lock | 1213 | 202894 | Nut, Dust Pan Bolt | 1702 | 20AX3 |
| Nut, Compressor Cyl- inder Body Stud | 1213 | 20AX2 | Nut, Electric Wire Clamp Mounting Screw | 0606 | 53AX1 |
| Nut, Compressor Cyl- inder Head Stud | 1213 | 20AX2 | Nut, Emergency Brake Adjusting Bolt | 1201 | 22AX4 |
| Nut, Compressor Dis- charge Valve Cap | 1213 | 203110 | Nut, Emergency Brake Band Support Bolt | 1201 | 22AX5 |
| Nut, Compressor Drive (Front) Bearing Retainer | 0112 | 1CF138 | Nut, Emergency Brake Cross Shaft Lever Bolt | 1201 | 20AX3 |
| Nut, Compressor Drive Gear | 0112 | 21AX262 | Nut, Emergency Brake Hand Lever Mounting Bracket Bolt | 1201 | 20AX3 |
| Nut, Compressor Rear End Cover Stud | 1213 | 20AX2 | Nut, Emergency Brake Hand Lever Sector | 1201 | 261SZ79 |
| Nut, Compressor Unload- er Lever Adjusting Screw Lock | 1213 | 202961 | Nut, Emergency Brake Link Shoulder Screw | 1201 | 20AX3 |
| Nut, Control Shaft Bracket Mounting Screw | 1213 | 23AX283 | Nut, Emergency Brake Rod | 1212 | 20AX3 |
| Nut, Cowl Mounting Bolt | 1803 | 20AX5 | Nut, Emergency Brake Rod Clevis | 1201 | 20AX3 |
| Nut, Cowl Support Bracket Bolt | 1506 | 20AX3 | Nut, Emergency Line Elbow | 1211 | 63AX1006 |
| Nut, Cross Steering Tube Clamp Bolt | 1402 | 20AX4 | Nut, Engine Front Sup- port Bolt | 0110 | 20AX7 |
| Nut, Cross Steering Tube Stud | 1402 | 21AX113 | Nut, Engine Rear Sup- port Mounting Bolt | 0110 | 20AX7 |
| Nut, Cylinder Head Stud | 0101 | 20AX23 | Nut, Engine Rear Sup- port Mounting Bolt Pal | 0110 | 123AX36 |
| Nut, Differential Bear- ing Adjusting | 1103 | 43KH22 | Nut, Engine Stay Bracket Adjusting Bolt | 0110 | 22AX17 |
| Nut, Differential Bear- ing Cap Stud | 1103 | 19AX7 | Nut, Exhaust Manifold & Cylinder | 0108 | 1AB11066 |
| Nut, Differential Cas- ing Bolt | 1103 | 21AX269 | Nut, Exhaust Pipe Flange | 0402 | 22AX9 |
| | | | Nut, Fender & Apron Bolt | 1701 | 20AX1 |
| | | | Nut, Fender & Apron Mounting Bolt | 1701 | 20AX2 |
| | | | Nut, Fender to Frame Bracket | 1504 | 20AX5 |

ALPHABETICAL INDEX

| Description | QMC Group | Part. No. | Description | QMC Group | Part. No. |
|--|--------------|------------|---|--------------|-----------|
| Nut, Fender & Hood Support Angle Bolt | 1701 | 20AX5 | Nut, Gas Line Support Bracket to Frame | 0304 | 21AX151 |
| Nut, Fender Intermediate Step Bolt | 1701 | 22AX1 | Nut, Gas Line Tube Clamp Screw | 0304 | 53AX4 |
| Nut, Fender Support Angle Mounting Bolt | 1704 | 20AX3 | Nut, Gas Line Tube Connecting | 0304 | 63AX362 |
| Nut, Fender & Support Bolt | 1701 | 20AX1 | Nut, Gas Line Tube Fitting | 0304 | 63AX290 |
| Nut, Fender Support Bracket & Angle Bolt | 1704 | 20AX3 | Nut, Gas Tank Filler Cap Flange | 0304 | 20AX3 |
| Nut, Fender & Support Mounting Bolt | 1701 | 20AX3 | Nut, Gas Tank Mounting Bolt | 0304 | 20AX5 |
| Nut, Field Terminal Stud | 0602 | 805258 | Nut, Gas Tank Strap | 0304 | 22AX21 |
| Nut, Field Terminal Stud | 0602 | 134569 | Nut, Gas Tank Strap | 0304 | 20AX5 |
| Nut, Flywheel Bolt | 0109 | 21AX33 | Nut, Gas Tank Strap Pal | 0304 | 123AX34 |
| Nut, Foot Valve Body Stud | 1213 | 203147 | Nut, Gas Tank to Support | 0304 | 20AX3 |
| Nut, Foot Valve Bolt | 1213 | 203145 | Nut, Gas Tank Support Bolt | 0304 | 19AX3 |
| Nut, Foot Valve Connector | 1211 | 63AX1006 | Nut, Gauge Cluster Mounting Bracket Stud | 0605 | 15EH313-8 |
| Nut, Foot Valve Mounting Screw | 1213 | 20AX2 | Nut, Gear Shift Lever Boot Screw | 1802 | 53AX1 |
| Nut, Four Way Cock Compression Connection | 0304 | 63AX362 | Nut, Generator to Support Bracket Mounting Bolt | 0601 | 20AX4 |
| Nut, Four Way Cock Compressor Elbow | 0304 | 63AX362 | Nut, Glove Compartment Mounting Screw Spud | 1800 | 155AX4 |
| Nut, Four Way Valve Mounting Plate Screw | 0304 | 22AX5 | Nut, Governor Adjusting Screw | 1213 | 210564 |
| Nut, Front Brake Camshaft | 1203 | 21AX116 | Nut, Governor Adjusting Screw Lock | 0305 | X206 |
| Nut, Front Brake Camshaft Bracket & Dust Shield Bolt | 1203 | 20AX7 | Nut, Governor Mounting Screw | 1213 | 20AX1 |
| Nut, Front Brake Chamber | 1213 | 203147 | Nut, Governor Strainer | 1213 | 202620 |
| Nut, Front Brake Chamber Yoke | 1213 | 203575 | Nut, Governor Throttle Rod | 0305 | 261SZ60 |
| Nut, Front Brake Hose | 1209 | 21AX6 | Nut, Governor Throttle Rod | 0305 | 53AX6 |
| Nut, Front Brake Hose Frame Connection | 1211 | 21AX56 | Nut, Governor Tube | 1211 | 63AX1005 |
| Nut, Front Brake Shoe Anchor Pin | 1203 | 20AX8 | Nut, Hand Control Valve Cap | 1213 | 203266 |
| Nut, Front Bumper Bolt | 2101 | 20AX7 | Nut, Hand Control Valve Piston | 1213 | 203256 |
| Nut, Front Bumper Center Bolt | 2101 | 261SZ72 | Nut, Headlamp Foot Control Switch | 0607 | 22AX5 |
| Nut, Front Bumper Mounting Bolt | 2101 | 20AX7 | Nut, Headlamp Frame Bracket Bolt | 0607 | 20AX5 |
| Nut, Front Fender Support Bolt | 1504 | 20AX3 | Nut, Headlamp Mounting | 0607 | 22AX23 |
| Nut, Front Spring Clip | 1602 | 21AX404 | Nut, Headlamp Mounting Bracket | 0607 | 20AX1 |
| Nut, Front Spring Rubber Bumper | 1602 | 20AX3 | Nut, Hex | 1210 | 30-S-4 |
| Nut, Front Wheel Flex. Hose Connection | 1211 | 63AX1006 | Nut, Hood Center Bumper Bracket Screw | 1704 | 155AX4 |
| Nut, Front Wheel Tube & Headlamp Cable Clamp Screw | 1209 | 22AX5 | Nut, Hood Center Bumper Screw | 1704 | 155AX8 |
| Nut, Gas Gauge Stud | 0605 | 15EH313-22 | Nut, Hood Eye Bolt | 1704 | 20AX1 |
| Nut, Gas Line to Support Bracket Clamp | 0304 | 53AX1 | | | |

ALPHABETICAL INDEX

| Description | QMC Group | Part. No. | Description | QMC Group | Part. No. |
|---------------------------|--------------|-----------|-------------------------|--------------|------------|
| Nut, Hood Eye Bolt | 1704 | 21AX184 | Nut, Oil Filter & | | |
| Nut, Hood Handle Screw | 1704 | 53AX1 | Cylinder Stud | 0107 | 20AX5 |
| Nut, Hood Hinge Bracket | | | Nut, Oil Gauge Lock | 0107 | 15EH313-26 |
| Screw | 1704 | 22AX5 | Nut, Oil Gauge Lock | 0605 | 15EH313-26 |
| Nut, Hood Hinge Bracket | | | Nut, Pull Rod | 0302 | 855213 |
| Screw | 1704 | 22AX19 | Nut, Pump Adjusting | 0301 | P14618 |
| Nut, Hood Latch Clip Bolt | 1704 | 23AX232 | Nut, quick Release | | |
| Nut, Hood Latch Clip | | | Valve to Foot Valve | | |
| Mounting Screw | 1704 | 35AX1 | Tube Elbow | 1211 | 63AX1006 |
| Nut, Hood Latch Clip | | | Nut, Radiator Division | | |
| Rear Bolt | 1704 | 22AX1 | Panel Mounting Screw | 0501 | 53AX4 |
| Nut, Hood Latch Screw | 1704 | 53AX4 | Nut, Radiator Grille | | |
| Nut, Hood Ledge Screw | 1704 | 53AX6 | Mounting Screw | 0501 | 53AX1 |
| Nut, Hood Lock Rod Eye | | | Nut, Radiator & Shell | 0501 | 155AX5 |
| Bolt | 1704 | 20AX3 | Nut, Radiator Shell | | |
| Nut, Hood Lock Rod Wing | 1704 | 21AX231 | Division Panel Screw | 0501 | 53AX4 |
| Nut, Hood Mounting Bolt | 1704 | 21AX346 | Nut, Radiator Shield | | |
| Nut, Hood Mounting Bolt | | | Bolt | 0501 | 20AX3 |
| Pal | 1704 | 123AX36 | Nut, Radiator Support | 0504 | 20AX7 |
| Nut, Hood Name Plate | 1704 | 53AX9 | Nut, Radiator Support | | |
| Nut, Hood Name Plate | | | Cross Member Mounting | | |
| Screw | 1704 | 53AX9 | Bolt | 0504 | 20AX3 |
| Nut, Hood Support | | | Nut, Radiator Support | | |
| Bracket Mounting Bolt | 1704 | 20AX3 | Cross Member Mounting | | |
| Nut, Hood Support | | | Bolt | 0504 | 20AX5 |
| Gusset Bolt | 1704 | 20AX3 | Nut, Radiator Support | | |
| Nut, Horn Mounting (Low) | 0609 | 20AX1 | Pal | 0504 | 123AX36 |
| Nut, Horn Mounting (Up) | 0609 | 20AX5 | Nut, Radiator Tie Rod | | |
| Nut, Horn Mounting Bolt | 0609 | 20AX4 | Lock | 0504 | 20AX3 |
| Nut, Ignition Coil Screw | 0604 | 20AX1 | Nut, Radiator Tie Rod | | |
| Nut, Inlet Manifold Stud | 0108 | 1AB11066 | "U" Bolt | 0504 | 20AX1 |
| Nut, LH Floor Board | | | Nut, Rear Axle Bumper | | |
| Screw Spud | 1802 | 155AX7 | Spacer Screw | 1602 | 20AX2 |
| Nut, LH Floor Board Screw | 1802 | 22AX5 | Nut, Rear Axle Shaft | | |
| Nut, LH Toe Board As- | | | Flange Stud | 1102 | 20AX6 |
| sembly Screw | 1802 | 22AX5 | Nut, Rear Brake Cam | | |
| Nut, Lighting Switch | | | Shaft | 1203 | 21AX226 |
| Operating Rod | 0606 | 21AX263 | Nut, Rear Brake Cam | | |
| Nut, Lower Bracket | 1504 | 20AX4 | Shaft Bracket Bolt | 1203 | 20AX7 |
| Nut, Lower Crankcase & | | | Nut, Rear Brake Chamber | | |
| Slinger Housing Stud | 0107 | 20AX3 | Pressure Plate Bolt | 1213 | 203145 |
| Nut, Main Discharge Jet | 0301 | P16762 | Nut, Rear Brake Chamber | | |
| Nut, Main Drive Pinion | | | Push Rod | 1213 | 203575 |
| Bearing | 0703 | 21AX284 | Nut, Rear Brake Chamber | | |
| Nut, Master Cylinder to | | | Stud | 1213 | 203172 |
| Booster Rod | 1212 | 20AX5 | Nut, Rear Brake Shoe | | |
| Nut, Master Cylinder & | | | Anchor Pin | 1203 | 20AX11 |
| Clevis Adjusting | 1212 | 20AX6 | Nut, Rear Brake Shoe & | | |
| Nut, Master Cylinder to | | | Hose Bracket Screw | 1209 | 20AX3 |
| Front Brake Tube Clamp | 1209 | 53AX1 | Nut, Rear Brake Tube & | | |
| Nut, Mounting Bolt | 0608 | CB-243 | Hose Connection | 1209 | 21AX24 |
| Nut, Mounting Bracket | 0603 | 5024654 | Nut, Rear Brake Unit | | |
| Nut, Muffler & Pipe | | | to Axle Flange Bolt | 1208 | 20AX7 |
| Hanger Clamp Bolt | 0401 | 20AX3 | Nut, Rear Mounted Air | | |
| Nut, Muffler & Pipe | | | Reservoir Support | | |
| Hanger Frame Bolt | 0401 | 20AX3 | Angle Screw | 1213 | 20AX3 |

ALPHABETICAL INDEX

| Description | QMC Group | Part. No. | Description | QMC Group | Part. No. |
|---------------------------|--------------|-----------|--------------------------|--------------|-----------|
| Nut, Rear Spring Clip | 1602 | 21AX405 | Nut, Spline Shaft Rear | | |
| Nut, Rear Spring Clip | | | Bearing Cover Stud | 0701 | 20AX7 |
| Spacer Bolt | 1602 | 20AX5 | Nut, Spur Gear Bolt | 1104 | 21AX269 |
| Nut, Rear View Mirror | | | Nut, Starting Switch | | |
| Mounting Screw | 2201 | 20AX1 | Mounting Screw | 0602 | 20AX1 |
| Nut, Rear View Mirror | | | Nut, Steering Arm | 1007 | 21AX20 |
| Set Screw | 2201 | 22AX19 | Nut, Steering Arm | | |
| Nut, Rear Wheel Bearing | | | Stop Screw | 1007 | 20AX5 |
| Adjusting Jam | 1301 | 21AX333 | Nut, Steering Gear | | |
| Nut, Rear Wheel Rim | | | Adjusting Screw | 1403 | 21AX56 |
| Lug Bolt | 1301 | 23AX229 | Nut, Steering Gear | | |
| Nut, Regulator Armature | | | Lever Ball Stud | 1403 | 21AX113 |
| Screw | 0601 | 140630 | Nut, Steering Lever | | |
| Nut, Relay Valve | | | Ball | 1007 | 19AX7 |
| Adjusting | 1213 | 201611 | Nut, Steering Post | | |
| Nut, Relay Valve Cap | 1213 | 202692 | Bracket Clamp Bolt | 1405 | 22AX1 |
| Nut, Relay Valve to | | | Nut, Steering Post | | |
| Check Valve Line | 1211 | 63AX1006 | Bracket Gusset Bolt | 1405 | 20AX3 |
| Nut, Relay Valve to | | | Nut, Steering Post | | |
| Foot Valve Tube | 1211 | 63AX1005 | Bracket Mounting Bolt | 1405 | 20AX2 |
| Nut, Relay Valve to | | | Nut, Steering Wheel | | |
| Foot Valve Tube | 1211 | 63AX1006 | Spider | 1403 | 48KF12 |
| Nut, Relay Valve Hex | 1213 | 203227 | Nut, Step Apron Brace | | |
| Nut, Relay Valve Lock | 1213 | 201612 | Bolt Speedometer | 1702 | 155AX4 |
| Nut, Relay Valve | | | Nut, Stop Clamp Screw | 0301 | P18299 |
| Mounting Screw | 1213 | 20AX3 | Nut, Stop & Tail Lamp | | |
| Nut, Relay Valve to Stop | | | Bracket Bolt | 0608 | 20AX2 |
| Light Switch Tube | 1211 | 63AX1005 | Nut, Stop Light Switch | 1211 | 63AX1005 |
| Nut, Relay Valve Tube | 1211 | 63AX355 | Nut, Stop Light Switch | 0606 | 203059 |
| Nut, Reverse Lockout | | | Nut, Terminal Stud | 0601 | 116004 |
| Plunger | 0706 | 19AX2 | Nut, Tool Box Screw | 1806 | 53AX1 |
| Nut, RH Toe & Floor | | | Nut, Vacuum Booster | | |
| Board Screw | 1802 | 22AX5 | Mounting Bracket | 1210 | 20AX3 |
| Nut, Rim Clamping Lug | | | Nut, Vacuum Booster | | |
| Bolt | 1301 | 23AX229 | Mounting Bracket Bolt | 1210 | 20AX5 |
| Nut, Running Board Apron | | | Nut, Vacuum Pump | | |
| Mounting Bolt | 1702 | 20AX1 | Adjusting Screw | 0301 | P14618 |
| Nut, Running Board Apron | | | Nut, Water Pump Housing | | |
| Mounting Bolt Spud | 1703 | 155AX5 | & Cylinder Stud | 0503 | 21AX296 |
| Nut, Running Board | | | Nut, Water Pump Pulley | 0503 | 4BG16 |
| Filler Mounting Screw | 1703 | 20AX5 | Nut, Water Pump Vent | | |
| Nut, Running Board | | | Tube | 0505 | 63AX366 |
| Spacer Mounting Bolt | 1703 | 20AX2 | Nut, Wing (5/16" USS) | 1807 | 23AX33 |
| Nut, Running Board | | | Nut, Wiper Arm | 1801 | 75072C |
| Support Bolt | 1504 | 20AX3 | Nut, Windshield Regula- | | |
| Nut, Running Board & | | | tion to Cowl Screw | 1801 | 20AX2 |
| Support Mounting Bolt | 1703 | 20AX3 | Nut, Wheel Bearing | | |
| Nut, Sector | 1403 | 21AX208 | Adjusting | 1301 | 21AX20 |
| Nut, Service Line Elbow | 1211 | 63AX1006 | Nut, Worm Shaft Bear- | | |
| Nut, Shell & Grille Screw | 0501 | 155AX8 | ing Adjusting | 1403 | 10CW164 |
| Nut, Side Mounted Air | | | Nut & Lubricator, | | |
| Reservoir Mounting Screw | 1213 | 20AX3 | Piston Rod | 1210 | BK11304 |
| Nut, Spacer | 1507 | 20AX7 | Nut & Pin Assembly, Rear | | |
| Nut, Speedometer Flex- | | | Wheel Bearing Adjusting | 1301 | 25QJA12 |
| ible Shaft Clamp | 2203 | 20AX3 | Oiler (C.E.) | 0602 | 114998 |
| Nut, Spline Shaft | | | Oiler (C.E.) | 0601 | 1880635 |
| Rear Bearing | 0704 | 273KC13 | Oiler (C.E.) | 0602 | 1880642 |
| | | | Operator, Cab Door LH | 1805 | 62QS15 |
| | | | Operator, Cab Door RH | 1805 | 62QS14 |

ALPHABETICAL INDEX

| Description | QMC Group | Part. No. | Description | QMC Group | Part. No. |
|---|--------------|-----------|---|--------------|-----------|
| Packing, End Plate Leather | 1210 | BK10551 | Pin, Booster Valve Linkage Spacer | 1211 | BK-18774 |
| Packing Oil Slinger Housing | 0102 | 167GC14 | Pin, Booster Valve to Pedal Clevis | 1212 | 33AX46 |
| Packing, Piston | 1210 | BK16347 | Pin, Booster Valve to Pedal Clevis Cotter | 1212 | 29AX12 |
| Pad, Brake Pedal | 1204 | 10EH140 | Pin, Booster Valve Rod End | 1211 | BK-19723 |
| Pan, Engine Dust LH | 1702 | 57QM348 | Pin, Booster Valve Rod End | 1211 | BK-19726 |
| Pan, Engine Dust RH | 1702 | 57QM352 | Pin, Booster Valve Rod End | 1211 | BK-19727 |
| Pan, Radiator Dust | 1702 | 15EH43 | Pin, Brush Holder Hinge | 0602 | 817313 |
| Panel, Cab Door LH | 1805 | 15EH59 | Pin, Brush Holder Stop | 0602 | 817314 |
| Panel, Cab Door RH | 1805 | 15EH58 | Pin, Center Main Bear- ing Thrust Washer | 0102 | 31AX255 |
| Panel, Cab Front | 1800 | 171QS51 | Pin, Choke Stem | 0301 | P3881 |
| Panel, Hood Louvre LH | 1704 | 15EH444 | Pin, Choke Valve Stop | 0301 | P16764 |
| Panel, Hood Louvre RH | 1704 | 15EH443 | Pin, Clutch Flywheel | 0202 | 7EHB3 |
| Panel, Radiator Hood Division | 0501 | 5MF21 | Pin, Clutch Link Clevis | 0204 | 33AX46 |
| Panel, Radiator Shell Division | 0501 | 4EH218A | Pin, Clutch Link Clevis | 0204 | 33AX91 |
| Panel & Frame Assembly, Cab | 1800 | 169QS52A | Pin, Clutch Pin Link Clevis | 0204 | 33AX19 |
| Partition, Seat Support | 1800 | 25QS38 | Pin, Clutch Pressure Lever | 0202 | 7EHB5 |
| Partition, Seat Support | 1800 | 25QS37 | Pin, Compressor Con- necting Rod Wrist | 1213 | 203449 |
| Pawl, Emergency Brake Hand Lever | 1201 | 304SH14 | Pin, Compressor Un- loader Lever | 1213 | 203101 |
| Pawl, Emergency Brake Hand Lever | 1201 | 304SH16 | Pin, Compressor Un- loader Lever Pin Cotter | 1213 | 203016 |
| Pedal, Accelerator | 0303 | 4QB14 | Pin, Control Shaft Lever Taper | 1213 | 30AX12 |
| Pedal, Clutch | 0204 | 10EH411A | Pin, Cotter | 1507 | 29AX12 |
| Pedal & Bushing Assembly, Brake | 1204 | 3MXA13P1 | Pin, Cotter | 1507 | 29AX19 |
| Pedal & Bushing Assembly, Brake | 1204 | 3MXA14P1 | Pin, Cotter | 1507 | 29AX57 |
| Pedestal, Governor Body | 0305 | G3891 | Pin, Coupling | 0603 | 810068 |
| Pedestal & Bushing Assembly, Governor Body | 0305 | A2059 | Pin, Differential Bear- ing Adjusting Nut | 1103 | 44KH11 |
| Pin, Accelerator Rod Clevis | 0303 | 33AX18 | Pin, Differential Bear- ing Adjusting Ring Lock | 1103 | 31AX126 |
| Pin, Accelerator Rod Clevis Cotter | 0303 | 29AX10 | Pin, Differential Pinion Stud | 1104 | 31AX208 |
| Pin, Air Compressor Connecting Rod Bolt Cotter | 1213 | 203016 | Pin, Distributor Shaft Collar | 0603 | 31AX102 |
| Pin, Bearing Cup Lock | 0704 | 309KC12 | Pin, Drag Link | 1401 | 10CG339-6 |
| Pin, Bearing Cup Lock | 0701 | 309KC12 | Pin, Drag Link | 1401 | 10CG339-7 |
| Pin, Booster Valve to Brake Pedal Rod Clevis Pin Cotter | 1212 | 29AX43 | Pin, Dowel | 0602 | 809062 |
| Pin, Booster Valve Clevis | 1212 | 33AX91 | Pin, Dowel | 0602 | 809593 |
| Pin, Booster Valve Clevis Pin Cotter | 1212 | 29AX3 | Pin, Emergency Brake Bolt | 1201 | 33AX27 |
| Pin, Booster Valve Cotter | 1211 | 50-S-2 | Pin, Emergency Brake Rod Adjusting End | 1201 | 33AX142 |
| Pin, Booster Valve Cotter | 1211 | 50-S-7 | Pin, Emergency Brake Rod Clevis | 1201 | 33AX80 |
| Pin, Booster Valve Cotter | 1211 | 50-S-13 | Pin, Emergency Brake Rod Clevis | 1201 | 33AX142 |

ALPHABETICAL INDEX

| Description | QMC Group | Part. No. | Description | QMC Group | Part. No. |
|---|--------------|------------|---|--------------|------------|
| Pin, Emergency Brake Rod Clevis Pin Cotter | 1201 | 29AX43 | Pin, Rear Brake Chamber Push Rod Yoke | 1213 | 200054 |
| Pin, Emergency Brake Rod Clevis Pin Cotter | 1201 | 29AX14 | Pin, Rear Brake Shoe Adjusting Cam | 1203 | 57QD11 |
| Pin, Emergency Brake Rod Cotter | 1212 | 29AX19 | Pin, Rear Brake Shoe Anchor | 1203 | 34QD13 |
| Pin, Float Fulcrum | 0301 | P16760 | Pin, Rear Brake Shoe Guide | 1203 | 58QD11 |
| Pin, Foot Valve Treadle Bearing Roller | 1213 | 210522 | Pin, Rear Brake Shoe Stop | 1202 | 31AX301 |
| Pin, Foot Valve Treadle Lever | 1213 | 210196 | Pin, Rear Brake Slack Adjuster Worm Shaft Collar | 1203 | 31AX284 |
| Pin, Foot Valve Treadle Stop | 1213 | 210190 | Pin, Rear Wheel Bear- ing Adjusting Nut | 1301 | 33AX53 |
| Pin, Front Brake Anchor | 1203 | 12EHW13 | Pin, Relay Valve Cotter | 1213 | 203016 |
| Pin, Front Brake Chamber Cotter | 1213 | 203019 | Pin, Relay Valve Release | 1213 | 201613 |
| Pin, Front Brake Chamber Yoke | 1213 | 200054 | Pin, Rocker Arm | 0302 | 1521001 |
| Pin, Front Brake Guide | 1203 | 12EHW14 | Pin, Shifter Ball | 0706 | 305KC13 |
| Pin, Front Brake Guide | 1203 | 12EHW15 | Pin, Spur Pinion Shaft Bearing Cover | 1103 | 31AX138 |
| Pin, Front Brake Shoe Anchor | 1203 | 34QD11 | Pin, Starting Crank | 2306 | 31AX180 |
| Pin, Front Brake Shoe Guide | 1203 | 59QD13 | Pin, Steering Knuckle | 1007 | 22QH11 |
| Pin, Front Slack Ad- juster Worm Shaft Collar | 1203 | 31AX375 | Pin, Steering Knuckle Draw | 1007 | 31AX279 |
| Pin, Governor Drive Gear | 0305 | 31AX9 | Pin, Steering Knuckle Draw | 1007 | 31AX280 |
| Pin, Governor Rocker Shaft Yoke | 0305 | X-74 | Pin, Steering Knuckle Draw | 1007 | 31AX281 |
| Pin, Governor Spider | 0305 | X-935 | Pin, Throttle Stop Taper | 0301 | P9745 |
| Pin, Governor Throttle Lever | 0305 | X-1006 | Pins, Wrist | 0103 | 1BG140 |
| Pin, Governor Throttle Rod End | 0305 | 2CF49-20 | Pin, Yoke | 1507 | 16ST379-13 |
| Pin, Governor Valve Shaft Lever | 0305 | 2BG47A-12 | Pin, Yoke | 1507 | 16ST379-18 |
| Pin, Governor Valve Shaft Lever Stop | 0305 | X-1125 | Pin & Cotter, Tailgate to Hinge | 1807 | 6437 |
| Pin, Governor Weight | 0305 | G-3167 | Pin & Insulation, Brush Holder Hinge | 0602 | 812016 |
| Pin, Hood Lock Rod Wing Nut Cotter | 1704 | 29AX55 | Pin & Insulation, Brush Holder Stop | 0602 | 812015 |
| Pin, Interlock | 0706 | 302KC11 | Pin & Washer Assembly, Front Brake Adjusting | 1203 | 26SM12 |
| Pin, Jaw | 1507 | 16ST379-12 | Pinion, Auxiliary Main Drive | 0704 | 764KB331A |
| Pin, Link | 0302 | 855016 | Pinions, Bevel | 1104 | 46KH319 |
| Pin, Main Discharge Jet Locating | 0301 | P-16850 | Pinion, Main Drive & Constant Mesh Counter- shaft Gear - Mated Overdrive | 0703 | 19KBA150A |
| Pin, Master Cylinder to Booster Rod Clevis | 1212 | 33AX91 | Pinion, Main Drive & Constant Mesh Counter- shaft Gear - Mated Overdrive | 0703 | 19KBA165 |
| Pin, Master Cylinder to Booster Rod Clevis Pin Cotter | 1212 | 29AX3 | Pinion, Main Drive & Constant Mesh Counter- shaft Gear - Mated - Std. | 0703 | 19KBA149A |
| Pin, Master Cylinder Clevis | 1212 | 33AX54 | Pinion, Main Drive & Constant Mesh Counter- shaft Gear - Mated - Std. | 0703 | 19KBA170 |
| Pin, Master Cylinder Clevis Pin Cotter | 1212 | 29AX12 | | | |
| Pin, Oil Pump Driving Shaft Thrust Washer | 0107 | 31AX10 | | | |

ALPHABETICAL INDEX

| Description | QMC Group | Part. No. | Description | QMC Group | Part. No. |
|--|--------------|------------|---|--------------|-------------|
| Pinion & Bushing Assembly, Differential | 1104 | 11EHA137 | Plate Assembly, Clutch Pressure | 0202 | 7EHB17 |
| Pinion & Bushing Assembly, Differential | 1104 | 11CWA113A | Plate Assembly, Clutch Pressure | 0202 | 7EHB10 |
| Pipe, Air Cleaner | 0301 | 5MD39-P1 | Plate, Code Number | 0301 | P23137 |
| Pipe, Air Cleaner | 0301 | 5MD39-P2 | Plate, Commutator End Cover | 0106 | 816212 |
| Pipe, Air Cleaner | 0301 | 5MD253-P1 | Plate, Dome Lamp Mounting | 0608 | 23M031 |
| Pipe, Carburetor Drain | 0304 | 244AX11 | Plate, Emergency Line Indicating | 1211 | 10AC13817 |
| Pipes, Exhaust | 0402 | 4ME3120-P2 | Plate, Engine Front Support Rubber Guide | 0110 | 14EH11 |
| Pipe & Bracket Assembly, Air Cleaner | 0301 | 4MDA14-P2 | Plate, Felt Washer Retainer | 0601 | 825196 |
| Pipe & Elbow Complete, Crankcase Breather | 0101 | 1EH111 | Plate, Fifth Wheel | 1507 | 16ST379-1 |
| Pistons | 0103 | 240GC4162A | Plate, Foot Valve Filler | 1213 | 210187 |
| Piston, Compressor | 1213 | 203457 | Plate, Foot Valve Mounting | 1213 | 211337 |
| Piston, Front Wheel Cylinder | 1207 | 11BLH8 | Plate, Foot Valve Screen | 1213 | 210041 |
| Piston, Governor Vacuum Spark Control Valve | 0305 | 304SB11 | Plate, Four Way Valve Mounting | 0304 | 2EH138 |
| Piston Assembly, Hand Control Valve | 1213 | 215305 | Plate, Frame Tread | 1507 | 39QL221-P62 |
| Piston, Master Cylinder | 1205 | 10EHWA12 | Plate, Front Brake Chamber Non-Pressure | 1213 | 210535 |
| Piston Assembly, Pump | 0301 | 320GC11 | Plate, Front Brake Chamber Pressure | 1213 | 200730 |
| Piston Assembly, Pump | 0301 | 320GC13 | Plate, Front Brake Drum Sealing | 1302 | 34QJ12 |
| Piston, Rear Wheel Cylinder | 1207 | 11EHW18 | Plate, Front Brake Shoe Wear | 1202 | 12EM18 |
| Piston & Wrist Pin Service Assemblies | 0103 | 240GC1261 | Plate, Front End | 1210 | BK18637 |
| Plate, Auxiliary Gas Tank Marker | 0304 | 30MB11 | Plate, Front Piston | 1210 | BK20970 |
| Plate, Auxiliary Shift Lever Hole Cover | 1802 | 58RU135 | Plate, Front Spring Wedge | 1601 | 13EHM47 |
| Plate, Ball Bearing Retainer | 0601 | 1838692 | Plate, Front Spring Wedge | 1601 | 13EJM26 |
| Plates, Bolt | 1807 | 5493-9 | Plate, Front Spring Wedge | 1601 | 301SU17 |
| Plates, Bolt | 1807 | 5493-10 | Plate, Gas Tank Marker | 0304 | 2EH16 |
| Plate, Booster Valve Diaphragm | 1211 | BK14669 | Plates, Gear Shifter Instruction | 2202 | 11MY110 |
| Plate, Breaker | 0603 | 821150 | Plate, Governor Name | 0305 | X-701 |
| Plate, Cab Door Handle Tapping | 1805 | 38RU157 | Plate, Hood Anchor Bracket Tapping | 1704 | 38RU111 |
| Plate, Cab Sill Bolting LH | 1800 | 10QS28 | Plate, Hood Name | 1704 | 27RU148 |
| Plate, Cab Sill Bolting LH | 1800 | 10QS211 | Plate, Horn Button Name | 0609 | 60MR14-P1 |
| Plate, Cab Sill Bolting RH | 1800 | 10QS27 | Plate, Lever | 1507 | 16ST379-7 |
| Plate, Cab Sill Bolting RH | 1800 | 10QS210 | Plate, Lock | 0902 | 9BCS40 |
| Plate, Center Bearing Felt Seal | 0903 | 9CJA111-3 | Plate, Lock | 0902 | 9BGS49 |
| Plate, Center Bearing Felt Seal | 0903 | 67MU21 | Plate, Lubricating Name | 2202 | 27RU11 |
| Plate, Chassis Name | 2202 | 15BX1294 | Plate only, Main Brush | 0601 | 1868746 |
| Plate Assembly, Clutch Driven | 0201 | 7BGA342 | Plate Assembly, Main Brush | 0601 | 1877941 |
| Plate Assembly, Clutch Driven | 0201 | 101HBA362 | Plate, Main Shaft & Weight | 0603 | 828522 |
| | | | Plate, Name | 2202 | 346KC12 |

ALPHABETICAL INDEX

| Description | QMC Group | Part. No. | Description | QMC Group | Part. No. |
|---------------------------|--------------|------------|------------------------|--------------|-----------|
| Plate, Name | 1507 | 16ST379-22 | Plug, Compressor | | |
| Plate, Piston Felt | | | Cylinder Head Body | | |
| Retainer | 1210 | BK-20972 | Pipe | 1213 | 204782 |
| Plate, Radiator Rein- | | | Plug, Compressor | | |
| forcement | 0504 | 44RU1132 | Cylinder Head Body | | |
| Plate, Radiator Tie Rod | 0504 | 4EM123 | Pipe | 1213 | 203679 |
| Plate, Radiator Tie | | | Plug, Compressor Drain | 1213 | 61AX54 |
| Rod "U" Bolt | 0504 | 4EH114 | Plug, Cylinder to | | |
| Plate, Rear Brake | | | Compressor Water | | |
| Chamber Pressure | 1213 | 202880 | Connection | 0505 | 63AX335 |
| Plate, Rear Brake Chamber | | | Plug, Cylinder Drain | 0505 | 49AX4 |
| Non-Pressure | 1213 | 217269 | Plug, Drag Link | | |
| Plate, Rear Brake Shoe | | | Threaded | 1401 | 10CG339-3 |
| Wear | 1202 | 6QD15 | Plug, Drain Oil Filter | 0107 | 301SB18 |
| Plate, Rear End | 1210 | BK-21207 | Plug, Drive | 0301 | P15458 |
| Plate, Rear Piston | 1210 | BK-20968 | Plug, Drive | 0306 | P20454 |
| Plate, Rear Sill Corner | 1800 | 12QS29 | Plug, End | 0602 | 1865182 |
| Plate, Rear Sill Corner | 1800 | 12QS28 | Plug, End | 0602 | 810819 |
| Plate, Rear Spring | | | Plug, Foot Valve Choke | 1213 | 210050 |
| Clamping | 1602 | 13EH222 | Plug or Lock, Foot | | |
| Plate, Seat Support | | | Valve Exhaust Valve | 1213 | 210074 |
| Cover | 1800 | 113QS23 | Plug at Four Way Valve | 0304 | 63AX107 |
| Plate, Service Line | | | Plug, Front Slack | | |
| Indicating | 1211 | 10AC13816 | Adjuster Ball Spring | | |
| Plate, Shifter Cover | | | Retainer | 1203 | 49AX70 |
| End | 0706 | 350KC12 | Plug, Front Slack | | |
| Plate, Shifter Cover | | | Adjuster Oil | 1203 | 63AX3 |
| End | 0706 | 350KC13 | Plug, Fuel Pump Valve | 0302 | 855281 |
| Plate, Skid | 1507 | 11RF22-P1 | Plug, Gas Tank Drain | 0304 | 63AX764 |
| Plate, Toe Board Pedal | | | Plug, Gas Tank Drain | 0304 | 63AX845 |
| Cover | 1802 | 15EH228 | Plug, Governor | | |
| Plate, Toe Board Pedal | | | Connection | 0301 | P3292 |
| Cover | 1802 | 29QR131 | Plug, Governor Vacuum | | |
| Plate, Toe Board Steer- | | | Spark Control Valve | | |
| ing Column | 1802 | 15EH129 | Expansion | 0305 | 303SZ20 |
| Plate, Valve Opening | | | Plug, Governor Vacuum | | |
| Draft | 1800 | 152QS12 | Spark Control Valve | | |
| Plate, Valve Tappet | | | Expansion | 0305 | 303SZ21 |
| Clearance Instruction | 0105 | 1CF1292 | Plug, Governor Vacuum | | |
| Plate Assembly, Wiper | | | Spark Control Valve | | |
| Slide Valve Paddle | 1801 | 56 | Piston Stop | 0305 | 368SB11 |
| Plate, Worm Shaft | | | Plug, Governor Vacuum | | |
| Upper Bearing Oil | | | Spark Valve Cylinder | 0305 | 303SB12 |
| Seal | 1403 | 10CW158 | Plug, Governor Welch | 0305 | 75AX9 |
| Pliers, 8" | 2306 | 16EH121-8 | Plug, Grooved Body | 0305 | 25786 |
| Plug, Arm Rest Hole | 1805 | 49AX51 | Plug, Hand Control | | |
| Plug, Auxiliary Case | | | Valve Check Valve | 1213 | 203345 |
| Inspection | 0701 | 63AX78 | Plug, Idle Discharge | | |
| Plug, Bevel Pinion | | | Channel | 0301 | P12780 |
| Housing Oil | 1103 | 63AX4 | Plug, Idle Discharge | | |
| Plug, Brass | 0305 | 23900 | Drilling Hole | 0301 | P15459 |
| Plug, Camshaft Oil | | | Plug, Idle Discharge | | |
| Line | 0101 | 63AX94 | Hole | 0301 | P12780 |
| Plug, Camshaft Oil | | | Plug, Inlet Manifold | 0108 | 63AX112 |
| Line | 0101 | 63AX155 | Plug, Inspection | 1103 | 63AX78 |
| Plug, Channel #10 | 0301 | P-15458 | Plug, Instrument Board | 1800 | 49AX33 |
| Plug, Compressor | | | Plug, Instrument Board | 1800 | 49AX34 |
| Crankshaft Screw | 1213 | 276GC11 | Plug, Interlock | 0701 | 63AX51 |
| | | | Plug, Lower Crankcase | | |
| | | | Drain | 0107 | 1BG1646 |

ALPHABETICAL INDEX

| Description | QMC Group | Part. No. | Description | QMC Group | Part. No. |
|--|--------------|-----------|---|--------------|-------------|
| Plug, Main Oil Line | 0101 | 63AX122 | Pole, Side Ridge | 2310 | 7422-8 |
| Plug, Main Oil Line | 0101 | 262GC13 | Pole, Side Ridge | 2310 | 7422-4 |
| Plug, Master Cylinder Outlet | 1205 | 10EHW18 | Pole, Side Ridge | 2310 | 7422-6 |
| Plug, Master Cylinder Welch | 1205 | 10EHW17 | Point & Support, Contact | 0601 | 1878517 |
| Plug, Pipe | 1210 | 94-S-1 | Post, Cab Lock LH | 1800 | 100QS52 |
| Plug, Pipe | 1210 | 94-S-3 | Post, Cab Lock RH | 1800 | 100QS51 |
| Plug, Drain Boss | 0301 | P26 | Protector, Lower Diaphragm | 0302 | 1521720 |
| Plug, Piston Rod | 1210 | BK11243 | Protector, Upper Diaphragm | 0302 | 855274 |
| Plug, Rear Axle Hous- ing Drain | 1101 | 63AX51 | Pulley, Fan Driving | 0503 | 1BG298A |
| Plug, Rear Axle Housing Filler | 1101 | 63AX575 | Pulley, Generator | 0601 | 6MJ289 |
| Plug, Rear Brake Slack Adjuster | 1203 | 63AX3 | Pulley, Water Pump | 0503 | 4BG224 |
| Plug, Rear Brake Slack Adjuster Worm Spring | 1203 | 49AX70 | Pump, Fuel | 0302 | 2CU34A |
| Plug, Rear Wheel Cyl- inder Pleeder Screw | 1207 | 1AX73 | Pump Assembly, Oil | 0107 | 6BG32A |
| Plug, Spark | 2314 | 5BG110C | Pump Assembly, Water | 0503 | 316GCA38A |
| Plug, Steering Gear Housing Drain | 1403 | 63AX45 | Pump Service Assembly, Water | 0503 | 316GCA22 |
| Plug, Steering Gear Housing Filler | 1403 | 63AX149 | Rail, Cab Rear Lower | 1800 | 144QS42 |
| Plug, Steering Gear Housing Pipe | 1403 | 63AX3 | Rail, Cab, Rear Lower | 1800 | 144QS41 |
| Plug, Steering Knuckle Expansion | 1007 | 79AX25 | Receptacle, Trailer Connection | 0606 | 33MR13P2 |
| Plug, Stop & Tail Lamp | 0608 | 5EH18 | Reducer, Air Reservoir Safety Valve | 1211 | 63AX580 |
| Plug, Strainer | 0301 | P19995 | Reducer, Air Reservoir Tube | 1211 | 63AX80 |
| Plug, Timing Hole | 0110 | 63AX27 | Reducer, Compressor Water Inlet & Outlet Tube Connector | 0505 | 63AX81 |
| Plug, Transmission Drain | 0701 | 63AX27 | Reducer, Governor Tube | 1211 | 63AX6 |
| Plug, Transmission Case Filler | 0701 | 63AX575 | Reducer, Master Cylinder to Tee Tube Elbow | 1211 | 63AX140 |
| Plug, Vacuum Governor Connection | 0301 | P3292 | Regulator, Cab Door Window | 1805 | 15EH337 |
| Plug, Vacuum Suction Channel | 0301 | P7098 | Regulator, Cab Door Window RH | 1805 | 15EH336 |
| Plug, Valve Shaft | 0305 | 25512 | Regulator, Resistance to Current | 0601 | 1865615 |
| Plug, Water Pump Housing | 0503 | 63AX45 | Regulator, Voltage | 0601 | 9MJ39P9 |
| Plug, Water Pump Housing | 0503 | 63AX4 | Regulator, Voltage | 0601 | 9MJ39P11 |
| Plug, Wrist Pin | 0103 | 1BG141 | Regulator, Windshield | 1801 | 3QT32P1 |
| Plunger, Oil Pressure Relief Valve | 0107 | 6BC129 | Reinforcement, Frame | 0304 | 37QL137P1 |
| Plunger, Reverse Lock- out | 0706 | 412KC11 | Relay, Lighting Switch Load | 0606 | 52MS18 |
| Plunger, Stoplight Switch Contact | 0606 | 215538 | Repair Set, Wiper Motor | 1801 | SP1064A |
| Plunger, Vacuum Pocket, Bow | 1807 | 6436 | Reservoir, Air | 1213 | 22QEC210P14 |
| Pole, Center Ridge | 2310 | 7422-7 | Resistance, Gas Gauge | 0605 | 5EH139 |
| Pole, Center Ridge | 2310 | 7422-3 | Resistance to Ground | 0601 | 1866139 |
| Pole, Center Ridge | 2310 | 7422-5 | Rest, Hood | 1704 | 9QM11 |
| | | | Rest, Hood LH | 1704 | 9QM124 |
| | | | Rest, Hood RH | 1704 | 9QM123 |
| | | | Retainer, Accelerator Rod | 0303 | 62QB11 |
| | | | Retainer, Air Cleaner Shroud Seal | 0301 | 24MD11 |

ALPHABETICAL INDEX

| Description | QMC Group | Part. No. | Description | QMC Group | Part. No. |
|--------------------------|--------------|-----------|---------------------------|--------------|-----------|
| Retainer, Auxiliary | | | Ring, End Plate Leather | | |
| Shift Sealing Felt | 1802 | 73QR14 | Lock | 1210 | BK10032 |
| Retainer, Bevel Pinion | | | Ring Packages, Flexible | 0103 | 357GC1116 |
| Bearing | 1103 | 53KH22 | Ring Packages, Regular | 0103 | 353GC19 |
| Retainer, Bolt | 0607 | CB395 | Ring, Foot Valve | | |
| Retainer, Booster Valve | | | Retainer | 1213 | 204260 |
| Disc | 1211 | BK18995 | Ring, Front Slack Ad- | | |
| Retainer, Booster Valve | | | juster Worm Gear | | |
| Spring | 1211 | BK10167 | Retainer | 1203 | 46QD12 |
| Retainer, Cab Door Seal | 1800 | 59QS22 | Ring, Gear Retaining | | |
| Retainer, Cab Door Seal | 1800 | 59QS21 | Snap | 0704 | 501KC11 |
| Retainer Complete, | | | Ring, Master Cylinder | | |
| Crankcase Gear Cover | | | Piston Secondary Cup | 1205 | 10EHW11 |
| Oil | 0101 | 88AX169 | Rings, Piston Compression | 0103 | 349GC1124 |
| Retainer, Control Lever | | | Rings, Piston Oil | 0103 | 350GC1176 |
| Clamping Strap | 1213 | 29QE135 | Ring, Piston Packing | | |
| Retainer, Front Brake | | | Expansion | 1210 | BK11213 |
| Felt Washer | 1203 | 12EHW18 | Ring, Piston Plate Lock | 1210 | BK10080 |
| Retainer, Gasket | 0902 | 9CLS3 | Ring, Rear Brake Slack | | |
| Retainer, Gasket | 0902 | 9BGS46 | Adjuster Worm Gear | | |
| Retainer, Hand Brake | | | Retainer | 1203 | 46QD11 |
| Sealing Felt LH | 1802 | 73QR17 | Ring, Rear Wheel Bear- | | |
| Retainer, Hand Brake | | | ing Lock | 1301 | 23QJ11 |
| Sealing Felt RH | 1802 | 73QR16 | Ring, Relay Valve, | | |
| Retainer, License Lens | 0608 | CB346 | Diaphragm Guide | 1213 | 202869 |
| Retainer, Steering Gear | | | Ring, Rocker Arm Pin | | |
| Sector Shaft Oil Seal | 1403 | 10CW139 | Retainer | 0302 | 848429 |
| Retainer, Thrust Bearing | 1007 | 35AX483 | Ring, Sealed Beam Unit | | |
| Retainer, Water Pump | | | Retainer | 0607 | CB-6385 |
| Bearing | 0503 | 4BG171 | Ring, Spark Plug Wire | 0604 | 5BG1180 |
| Retainer, Wiper Valve | 1801 | 2256J | Ring, Spigot Bearing | | |
| Retainer, Worm Shaft | | | Snap | 0704 | 506KC13 |
| Upper Bearing Oil Seal | 1403 | 10CW159 | Ring, Stoplight Switch | | |
| Rim Firestone | 1301 | 12AK1163 | Diaphragm | 0606 | 203382 |
| Rim, Front Wheel | 1301 | 12CG11 | Ring, Take-up | 0602 | 1861234 |
| Rim, Rear Wheel | 1301 | 12CG11 | Ring, Water Pump Seal | | |
| Rim, Rear Wheel | 1301 | 12AK1163 | Clamp | 0503 | 354GC11 |
| Ring, Booster Valve | | | Rivet, Air Cleaner | | |
| Air Cleaner Cover Lock | 1211 | BK12745 | Shroud Seal Retainer | 0301 | 27AX8 |
| Ring, Booster Valve | | | Rivet, Brake Chamber | | |
| Disc Lock | 1211 | BK10172 | Bracket | 1213 | 24AX186 |
| Ring, Compressor Air | | | Rivet, Brake Shoe | | |
| Cleaner Baffle | | | Anchor Pin Bracket | 1208 | 24AX204 |
| Retaining | 1213 | 211035 | Rivet, Cab Door Window | | |
| Ring, Compressor Crank- | | | Glass Rubber Bumper | 1805 | 28AX44 |
| shaft Oil | 1213 | 203028 | Rivet, Cab Rear Support | | |
| Ring, Compressor | | | Cross Member | 1506 | 24AX186 |
| Piston Compression | 1213 | 203464 | Rivet, Clutch Facing | 0201 | 28AX58 |
| Ring, Compressor Piston | | | Rivet, Cowl Support | | |
| Oil | 1213 | 203465 | Bracket | 1506 | 24AX109 |
| Ring, Countershaft | | | Rivet, Cowl Support | | |
| Bearing Snap (Front) | 0704 | 501KC11 | Bracket | 1506 | 24AX108 |
| Ring, Countershaft | | | Rivet, Cowl Support | | |
| Bearing Snap (Rear) | 0704 | 503KC12 | Bracket Bolt | 1506 | 24AX12 |
| Ring, "D" | 1807 | 6577-1 | Rivet, Drive Shaft | | |
| Ring, Differential Bear- | | | Center Bearing Cross | | |
| ing Retainer Adjusting | 1103 | 11BG24 | Member | 1506 | 24AX186 |

ALPHABETICAL INDEX

| Description | QMC Group | Part. No. | Description | QMC Group | Part. No. |
|--|--------------|-----------|---|--------------|------------|
| Rivet, Emergency Brake Hand Lever Pawl Attaching | 1201 | 341SZ37 | Rivet, Rear Brake Shoe Wear Plate | 1202 | 25AX2 |
| Rivet, Emergency Brake Hand Lever Sector | 1201 | 341SZ53 | Rivet, Rear Cross Member | 1506 | 24AX186 |
| Rivet, Emergency Brake Hand Lever Sector Attaching | 1201 | 341SZ38 | Rivet, Rear Spring Front Bracket & Frame | 1503 | 24AX119 |
| Rivet, Emergency Brake Hand Lever Spoon | 1201 | 341SZ54 | Rivet, Rear Spring Front Cross Member | 1506 | 24AX186 |
| Rivet, Emergency Brake Lining | 1201 | 27AX124 | Rivet, Rear Spring Rear Bracket & Frame | 1503 | 24AX119 |
| Rivet, Engine Front Support | 0110 | 24AX12 | Rivet, Rear Spring Rear Cross Member | 1506 | 24AX186 |
| Rivet, Engine Rear Support Frame Bracket | 0110 | 24AX109 | Rivet, Rear Spring Rebound Clip | 1601 | 24AX3 |
| Rivet, Engine Rear Support Frame Bracket | 0110 | 24AX22 | Rivet, Seat Cushion Dowel | 1804 | 25AX14 |
| Rivet, Engine Rear Support Frame Bracket | 0110 | 24AX108 | Rivet, Skid Plate | 1507 | 24AX76 |
| Rivet, Fender Anti-Squeak | 1701 | 27AX20 | Rivet, Skid Plate | 1507 | 24AX9 |
| Rivet, Fender Skirt Seal | 1701 | 27AX20 | Rivet, Steering Knuckle to Brake Dust Shield | 1208 | 26AX29 |
| Rivet, Frame Reinforcing Angle | 1506 | 24AX108 | Rivet, Valve Tappet Clearance Instruction Plate | 0105 | 28AX23 |
| Rivet, Front Brake Shoe Lining | 1202 | 27AX94 | Rivet, Wiper | 1801 | 1878-13-R |
| Rivet, Front Brake Shoe & Wear Plate | 1202 | 25AX5 | Rod, Accelerator | 0303 | 30QB12 |
| Rivet, Front Spring Front Bracket & Frame | 1503 | 24AX12 | Rod, Accelerator | 0303 | 30QB29 |
| Rivet, Front Spring Front Bracket & Frame | 1503 | 24AX190 | Rod, Accelerator Pedal | 0303 | 29QB122 |
| Rivet, Front Spring Front Bracket & Frame | 1503 | 24AX108 | Rod, Accelerator Pedal | 0303 | 29QB123 |
| Rivet, Front Spring Rear Bracket & Frame | 1503 | 24AX12 | Rod, Air Reservoir Clamp | 1213 | 91AX9 |
| Rivet, Front Spring Rear Bracket & Frame | 1503 | 24AX109 | Rod, Booster Valve | 1211 | BK21845 |
| Rivet, Front Spring Rear Bracket & Frame | 1503 | 24AX22 | Rod, Booster Valve to Brake Pedal | 1212 | 94AX33 |
| Rivet, Front Spring Rebound Clip | 1601 | 24AX73 | Rod, Booster Valve Operating | 1211 | BK18772 |
| Rivet, Helper Spring Bracket (Front) | 1503 | 24AX22 | Rod, Brake Pedal Retractor Spring | 1204 | 10AC13046 |
| Rivet, Helper Spring Bracket (Rear) | 1503 | 24AX15 | Rod, Clutch Control | 0204 | 26MX21-P4 |
| Rivet, Helper Spring Rebound Clip | 1601 | 24AX73 | Rod, Compressor Connecting | 1213 | 216248 |
| Rivet, Hood Corner Cover | 1704 | 27AX20 | Rod Assembly, Connecting | 0104 | 367GCA218A |
| Rivet, Hood Lacing | 1704 | 27AX20 | Rod, Emergency Brake | 1212 | 37MW165-P1 |
| Rivet, Rear Brake Shoe Adjusting Cam Bracket | 1203 | 24AX202 | Rod, Emergency Brake Hand Lever to Idler Lever | 1202 | 37MW12 |
| Rivet, Rear Brake Shoe Lining | 1202 | 27AX22 | Rod, Emergency Brake Hand Lever Pawl | 1201 | 344SH17 |
| Rivet, Front Brake Shoe Lining | 1202 | 27AX22 | Rod, Front Brake Chamber Push | 1213 | 205239 |
| | | | Rod, Governor Throttle | 0305 | 2BG47A-2 |
| | | | Rod, Hood Lock | 1704 | 66QM11 |
| | | | Rod, Lever to Cam | 1201 | 91AX21 |
| | | | Rod, Lever to Cam | 1201 | 91AX25 |
| | | | Rod, Lighting Switch Operating | 0606 | 3MR22-P1 |
| | | | Rod, Master Cylinder to Booster Cylinder | 1212 | 94AX58 |
| | | | Rod, Master Cylinder to Booster Cylinder | 1212 | 94AX68 |

ALPHABETICAL INDEX

| Description | QMC Group | Part. No. | Description | QMC Group | Part. No. |
|--|--------------|-----------|---|--------------|-----------|
| Rod, Master Cylinder to Booster Cylinder | 1212 | 94AX26 | Screw, Auxiliary Gas Tank Gauge | 0304 | 8AX21 |
| Rod, Master Cylinder to Booster Cylinder | 1212 | 94AX53 | Screw, Auxiliary Shift Sealing Felt | 1802 | 130AX227 |
| Rod, Piston | 1210 | BK-15122 | Screw, Ball Bearing Retainer Plate | 0601 | 1866487 |
| Rod, Pull | 0302 | 855250 | Screw, Bell Housing Inspection Cover | 0207 | 4AX54 |
| Rod, Radiator Tie | 0504 | 4EM16 | Screws, Bevel Gear Screw, Bevel Pinion | 1104 | 3AX561 |
| Rod, Radiator Tie | 0504 | 22MF11 | Bearing Retainer | 1103 | 6AX402 |
| Rod, Rear Brake Chamber Push | 1213 | 205195 | Screws, Bevel Pinion Housing | 1103 | 4AX188 |
| Rod & Tube Assembly, Governor | 0305 | 370GCA213 | Screw, Booster Hose Clamp | 1211 | 1AX120 |
| Roll, Canvas Tool | 2306 | 16EH121-1 | Screws, Booster Valve | 1211 | 25-S-15 |
| Roller, Treadle Bearing | 1213 | 211026 | Screw, Bottom Cover | 0302 | 132108 |
| Rotor | 0603 | 820445 | Screw, Brake Drum Cup | 1302 | 6AX461 |
| Rotor, Water Pump | 0503 | 379GC22A | Screw, Brake Pedal Stop | 1204 | 4AX229 |
| Rotor, Water Pump | 0503 | 379GC22A | Screw, Breaker Lever Spring | 0603 | 813511 |
| Rubber, Cab Door Sealing | 1805 | 188QS12 | Screw, Breaker Plate Support | 0603 | 115607 |
| Rubber, Cab Door Sealing | 1805 | 188QS13 | Screws, Brush | 0601 | 115116 |
| Rubber, Center Bearing Housing | 0903 | 20QL24-P2 | Screws, Brush | 0602 | 115903 |
| Rubber, Cowl Sealing | 1800 | 263AX45 | Screws, Cab & Cowl | 1800 | 8AX60 |
| Rubber, Cowl & Toe Board Air Seal LH | 1800 | 35QR128 | Screws, Cab Door | 1805 | 103AX33 |
| Rubber, Cowl & Toe Board Air Seal RH | 1800 | 35QR127 | Screw, Cab Door Hinge (1/4"-20 x 3/4") | 1805 | 103AX41 |
| Rubber, Cowl Vent Sealing | 1800 | 15EH211 | Screw, Cab Door Lock (#12-24 x 5/8") | 1805 | 130AX83 |
| Rubber, Radiator Support (Lower) | 0504 | 1CQ2019 | Screws, Cab Sill | 1800 | 6AX494 |
| Rubber, Radiator Support (Upper) | 0604 | 37MF201 | Screws, Camshaft | 0106 | 6AX345 |
| Rubber, Steering Post Bracket | 1405 | 87AX5 | Screw, Cap | 1507 | 1AX42 |
| Rubber, Vent Sealing | 1800 | 21QU22 | Screw, Cap (3/8"x1") | 1805 | 1AX35 |
| Screen | 0302 | 854009 | Screw, Carburetor Air Intake Grill | 0301 | 8AX161 |
| Screen, Compressor Air Cleaner | 1213 | 200816 | Screws, Carrier to Rear Axle | 1103 | 1AX59 |
| Screen, Oil Pump | 0107 | 6BG225 | Screw, Center Bearing Clamp | 0903 | 8AX36 |
| Screen, Radiator Grille | 0501 | 4EH53 | Screw, Chassis Name Plate | 2202 | 75AX230 |
| Screws, Accelerator Retractor Spring | 0303 | 13AX46 | Screws, Check Valve | 1211 | 8AX16 |
| Screw Assembly, Adjusting | 0305 | 25072-9 | Screw, Choke Stem Set | 0301 | P16161 |
| Screws, Adjusting Link | 0601 | 4AX1 | Screw, Choke Tube Holder Attaching | 0301 | P16766 |
| Screw, Air Brake Tubing Clamp | 1211 | 8AX16 | Screw, Clamp | 0603 | 114991 |
| Screw, Air Chamber & Rear Brake Cam Shaft Bracket | 1203 | 1AX250 | Screw, Clamp Arm to Control Rod | 0603 | 1865159 |
| Screw, Air Cleaner Shroud | 0301 | 6AX265 | Screw, Clutch & Brake Pedal Stop | 0204 | 4AX229 |
| Screw, Apron Support Bracket | 1702 | 4AX22 | Screw, Clutch Pedal Collar Set | 0204 | 7AX84 |
| Screw, Auxiliary Fuel System Four Way Valve Mounting | 0304 | 8AX150 | Screw, Clutch Throw- out Yoke | 0203 | 3AX758 |
| | | | Screws, Coat Hook | 1800 | 133AX100 |
| | | | Screws, Compressor Air Cleaner | 1213 | 4AX158 |

ALPHABETICAL INDEX

| Description | QMC Group | Part. No. | Description | QMC Group | Part. No. |
|---|--------------|-----------|--|--------------|-----------|
| Screw, Compressor Drive Housing | 0112 | 6AX229 | Screw, Front Wheel Hub Cap | 1301 | 4AX32 |
| Screw, Compressor Flange | 1213 | 6AX327 | Screw, Front Wheel Tube & Headlamp Cable Clamp | 1209 | 6AX128 |
| Screw, Compressor Flange Cover | 0101 | 4AX66 | Screw (Top of Field Frame) | 0601 | 132243 |
| Screws, Compressor Unloader | 1213 | 203114 | Screw, Fuel Pump & Cylinder | 0302 | 4AX72 |
| Screw, Condenser Attaching | 0603 | 131951 | Screw, Gas Gauge Mounting | 0304 | 8AX21 |
| Screw, Contact Adjusting | 0603 | 816784 | Screw, Gas Line to Support Bracket Clamp | 0304 | 8AX64 |
| Screw, Connecting Rod | 0104 | 396GC16B | Screw, Gas Line Tube Clamp | 0304 | 8AX7 |
| Screw, Control Shaft Bracket Mounting | 1213 | 4AX2 | Screw, Gas Tank Filler Spout Door Knob | 1800 | 8AX21 |
| Screws, Countershaft | 0701 | 4AX1 | Screw, Gear Shift Lever Boot | 1802 | 130AX224 |
| Screw, Cover | 0305 | H6321 | Screw, Gear Shifter Plate | 2202 | 13AX50 |
| Screw, Cover | 0601 | 1878499 | Screw, Generator & Adjusting Link | 0601 | 4AX5 |
| Screws, Cover Drive | 0305 | 24566 | Screw, Generator Support Bracket Mounting | 0601 | 4AX66 |
| Screw, Cowl to Cowl Bar | 1800 | 75AX62 | Screws, Glove Compartment Mounting | 1800 | 130AX187 |
| Screw, Crankcase Breather Pipe Mounting | 0101 | 4AX5 | Screw, Governor Adjusting | 0305 | G2291 |
| Screw, Crankcase Gear Cover & Cylinder | 0101 | 4AX58 | Screw, Governor Adjusting | 1213 | 201521 |
| Screw, Crankcase Oil Filler | 0107 | 4AX1 | Screws, Governor Body | 0305 | X825 |
| Screw, Cylinder Head Water Outlet Elbow | 0505 | 4AX41 | Screw, Governor Butterfly Valve Attaching | 0305 | X198 |
| Screw, Cylinder Water Manifold | 0505 | 4AX76 | Screw, Governor to Crankcase | 0305 | 4AX41 |
| Screws, Distributor | 0603 | 4AX5 | Screw, Governor to Crankcase | 0203 | 4AX1 |
| Screw, Division Panel Mounting | 0501 | 130AX245 | Screws, Governor Machine | 1213 | 204874 |
| Screw, Dome Lamp Mounting | 0608 | 75AX270 | Screw, Governor Mounting | 1213 | 1AX126 |
| Screw, Door | 0608 | CB145 | Screws, Governor | 0305 | X455 |
| Screw, Door | 0607 | CB4533 | Screw, Grab Handle | 1800 | 130AX272 |
| Screw, Door Rubber Bumper | 1805 | 133AX52 | Screw, Ground | 0607 | CB6388 |
| Screw Drivers | 2306 | 28RC12 | Screws, Guide | 1210 | BK10485 |
| Screws, Dummy Coupling | 1211 | 11AX1 | Screw, Hand Control Valve Handle Lock | 1213 | 203260 |
| Screw, Electric Wire Clamp Mounting | 0606 | 8AX16 | Screw, Head Spring | 0602 | 1850811 |
| Screws, Emergency Brake | 1201 | 6AX255 | Screw, Holder Clamp | 0301 | P16807 |
| Screw, End Cover Plate | 0601 | 1866970 | Screw, Hood Anchor Bracket | 1704 | 8AX29 |
| Screws, Engine Support | 0110 | 4AX195 | Screws, Hood Center Bumper | 1704 | 8AX151 |
| Screw, Fan Driving Pulley | 0503 | 4AX34 | Screw, Hood Handle | 1704 | 8AX163 |
| Screw, Fan Shroud | 0501 | 4AX76 | Screw, Hood Hinge Bracket Front | 1704 | 6AX497 |
| Screw, Filler Spout Mounting | 0304 | 4AX17 | Screw, Hood Hinge Bracket Screw (Rear) | 1704 | 6AX515 |
| Screws, Floor Board | 1802 | 130AX260 | Screw, Hood Lacing | 1800 | 133AX289 |
| Screws, Foot Valve | 1213 | 1AX6 | | | |
| Screws, Four Way Valve Marker Plate | 0304 | 75AX230 | | | |
| Screw, Front Hub Oil Slinger | 1208 | 1AX381 | | | |
| Screw, Front Wheel Cylinder Bleeder | 1207 | 12EHW26 | | | |

ALPHABETICAL INDEX

| Description | QMC Group | Part. No. | Description | QMC Group | Part. No. |
|---------------------------|--------------|------------|--------------------------|--------------|-----------|
| Screw, Hood Latch | 1704 | 130AX806 | Screw, Rear Brake Drum | 1302 | 6AX461 |
| Screw, Hood Ledge | 1704 | 8AX21 | Screw, Rear Mounted Air | | |
| Screw, Hood Lock Mounting | 1704 | 75AX269 | Reservoir Support Angle | 1213 | 1AX35 |
| Screw, Hood Louvre | | | Screws, Rear View | | |
| Panel Knob | 1704 | 8AX21 | Mirror | 2201 | 2AX1011 |
| Screw, Hood Rest | 1704 | 133AX292 | Screw, Rear Wheel | | |
| Screws, Horn | 1609 | 10EJR31 | Cylinder Bleeder | 1207 | 11EHW15 |
| Screw, Idle Adjusting | 0301 | P18552 | Screws, Regulator | | |
| Screw, Ignition Coil | 0604 | 1AX8 | Armature | 0601 | 1879662 |
| Screw, Inlet Manifold | | | Screw, Relay Armature | | |
| Vaporizer | 0108 | 1AB11061 | Attaching | 0601 | 141542 |
| Screw, Instrument Board | 1800 | 1AX8 | Screws, Relay Valve | 1213 | 202979 |
| Screw, Instrument Board | | | Screw, Reverse Gear | | |
| Mounting | 1800 | 1AX8 | Shaft | 0704 | 4AX1 |
| Screw, Jack Tray | 1800 | 75AX248 | Screws, Running Board | 1703 | 6AX117 |
| Screw, Lamp Socket | | | Screw, Sealed Beam Unit | | |
| Bracket & Gauge | 0605 | 15EH313-12 | Retainer Ring | 0607 | CB5777 |
| Screw, Lever Clamp | 0301 | P18927 | Screw, Seat Cushion | | |
| Screw, License Lens | | | Mounting Plate | 1804 | 14AX4 |
| Retainer | 0608 | CB145 | Screw, Seat Support | | |
| Screw, Lighting Switch | | | Bracket RH | 1804 | 132AX259 |
| Terminal (Dash & Tail | | | Screw, Seat Support | | |
| Lamp) | 0606 | 130AX203 | Partition | 1800 | 130AX270 |
| Screw, Lighting Switch | | | Screw, Shaft Spring | 0602 | 1850810 |
| Terminal (Headlamp) | 0606 | 130AX202 | Screw, Shell & Grille | 0501 | 130AX222 |
| Screw, Lower Crankcase | | | Screw, Shift Lever | | |
| & Cylinder | 0107 | 4AX58 | Retainer | 1802 | 133AX108 |
| Screw, Lower Crankcase | | | Screws, Shifter | 0706 | 7AX152 |
| & Gear Cover | 0107 | 4AX58 | Screw, Shifter Cover | | |
| Screw, Lower Crankcase | | | End Plate | 0706 | 5AX15 |
| & Lower Slinger | | | Screw, Shifter Shaft | | |
| Housing | 0107 | 4AX122 | Cover | 0701 | 400AX1 |
| Screw, Main Bearing | | | Screw, Side Mounted Air | | |
| Cap | 0102 | 409GC111A | Reservoir Mounting | 1213 | 1AX35 |
| Screw, Main Body | | | Screw, Spline Shaft | | |
| Attaching | 0301 | P16849 | Rear Bearing Cover | 0701 | 4AX1 |
| Screw, Main Drive | | | Screws, Spur Pinion | | |
| Pinion Bearing Cover | 0701 | 4AX1 | Bearing Cover | 1103 | 6AX272 |
| Screws, Master Cylinder | 1209 | 8AX16 | Screw, Starting Switch | | |
| Screw, Name Plate | 2202 | 75AX9 | Mounting | 0602 | 1AX73 |
| Screw, Oil Filter | | | Screw, Steering Arm Stop | 1007 | 7AX197 |
| Bridge | 0107 | 365SB17 | Screw, Steering Gear | | |
| Screw, Oil Pump | | | Adjusting | 1403 | 20KF11 |
| Housing | 0107 | 6AX190 | Screws, Steering Gear | | |
| Screws, Oil Slinger | | | Frame | 1405 | 4AX244 |
| Housing | 0102 | 4AX137 | Screw, Steering Knuckle | | |
| Screw, Ornament Base | 0501 | 130AX833 | Pin | 1007 | 1AX111 |
| Screw, Parking Lamp | 0607 | CB6301 | Screw, Stop Clamp | 0301 | P18769 |
| Screw, Pole Shoe | 0601 | 828675 | Screw, Stoplight Switch | 0606 | 203623 |
| Screw, Power Take Off | | | Screw, Terminal | 0603 | 107715 |
| Cover | 0701 | 4AX34 | Screw, Terminal | 0601 | 1878502 |
| Screws, Radiator | 0501 | 130AX244 | Screw, Throttle Control | | |
| Screws, Rear Axle | | | Wire | 0303 | 8AX67 |
| Bumper | 1602 | 1AX120 | Screw, Throttle Lever | | |
| Screws, Rear Brake | 1209 | 4AX195 | Clamp | 0301 | P15817 |
| Screw, Rear Brake | | | Screw, Timing Indicator | 0106 | 10AX10 |
| Cylinder Spacer | 1207 | 4AX7 | Screws, Toe Board | 1802 | 130AX262 |

ALPHABETICAL INDEX

| Description | QMC Group | Part. No. | Description | QMC Group | Part. No. |
|---|--------------|-----------|---|--------------|-------------|
| Screw, Toe & Floor Board Support | 1800 | 1AX35 | Seat, Cross Steering Tube Ball Joint Dust Retainer Spring | 1402 | 37AX373 |
| Screw, Tool Box | 1806 | 130AX222 | Seat, Drag Link | 1401 | 10CG339-1 |
| Screw, Top Cover | 0302 | 855493 | Seat, Foot Valve Exhaust Valve | 1213 | 210071 |
| Screw, Transmission Upper Shifter Cover | 0706 | 4AX17 | Seat, Foot Valve Inlet Valve | 1213 | 210069 |
| Screw, Tropic Air Flange Cover | 0101 | 4AX17 | Seat, Relay Valve Spring | 1213 | 201615 |
| Screw, Tube Holder Attaching | 0301 | P16766 | Seat, Relay Valve Spring | 1213 | 211519 |
| Screw, Vacuum Pump Adjusting | 0301 | P19911 | Sector, Emergency Brake Hand Lever | 1201 | 370SH15 |
| Screw, Valve | 0301 | P15259 | Sector, Emergency Brake Hand Lever | 1201 | 370SH17 |
| Screw, Valve Attaching | 0301 | P285 | Segments, Horn Button Base Plate & Retaining Shaft | 0609 | 10EJR30 |
| Screw, Valve Lifter Bracket | 0105 | 4AX28 | Shaft | 1507 | 16ST379-11 |
| Screw, Valve Spring Cover | 0105 | 1BG153 | Shaft Assembly, Accelerator | 0303 | 7QBA213P1 |
| Screw, Vent Tube Set | 0301 | P14745 | Shaft Assembly, Accelerator | 0303 | 7QBA215 |
| Screws, Water Pump | 0503 | 4AX6 | Shaft, Auxiliary Speed Shifter | 0706 | 602KC25 |
| Screws, Windshield | 1801 | 130AX256 | Shaft, Auxiliary Spline | 0704 | 601KC21A |
| Screw, Wire Clamp | 0606 | 130AX229 | Shaft, Clutch & Brake Pedal | 0204 | 8MX17 |
| Screw, Wire Connection | 0301 | P13046 | Shaft, Clutch & Brake Pedal | 0204 | 8MX118 |
| Screw, Worm Shaft Bearing Cover | 1403 | 4AX221 | Shaft, Clutch Throwout | 0203 | 604KC17 |
| Screw & Nut Assembly, Valve Lifter | 0105 | 1CFA1213 | Shaft, Clutch Throwout | 0203 | 604KC13 |
| Seal, Air Cleaner Shroud | 0301 | 23MD15 | Shaft, Compressor Drive | 0112 | 1BG2144B |
| Seal, Bevel Pinion Housing Cover Oil | 1103 | 88AX126 | Shaft, Emergency Brake Mounting | 1201 | 20MW118 |
| Seal, Bumper Bracket & Fender LH | 2101 | 15EH253 | Shaft Service Assembly, Drive | 0901 | 16MUA327P34 |
| Seal, Bumper Bracket & Fender RH | 2101 | 15EH252 | Shaft Service Assembly, Drive | 0901 | 16MUA327P46 |
| Seal, Center Bearing Garlock | 0903 | 301SZ17 | Shaft, First & Reverse Speed Shifter | 0706 | 596KC22A |
| Seal, Fender Skirt | 1701 | 15EJ134 | Shaft, First & Reverse Shaft Shifter | 0706 | 596KC26A |
| Seal, Fender Skirt | 1701 | 49QM13 | Shaft, Fourth & Fifth Speed Shifter | 0706 | 619KC22 |
| Seal, Front Wheel Oil | 1301 | 88AX58 | Shaft, Fourth & Fifth Speed Shifter | 0706 | 619KC23 |
| Seal, Governor Rocker Shaft Oil | 0305 | X967 | Shaft, Front Drive | 0901 | 16MUA334P14 |
| Seal, Hood Louvre Panel | 1704 | 259AX64 | Shaft, Front Slack Adjuster Worm | 1203 | 8QD12 |
| Seal, Rear Wheel Oil | 1301 | 88AX59 | Shaft, Governor Drive | 0305 | G3894 |
| Seal, Rear Wheel Oil | 1301 | 88AX157 | Shaft, Governor Rocker | 0305 | G6631 |
| Seal, Shifter Shaft Oil | 0706 | 567KC12 | Shaft, Governor Valve | 0305 | 364SB11 |
| Seal, Steering Gear Sector Oil | 1403 | 88AX127 | Shaft, Hand Control | 1213 | 51QE12 |
| Seal, Water Pump | 0503 | 4476C11 | Shaft, Oil Pump Driving Gear | 0107 | 6BG21 |
| Seal Service Assembly, Water Pump | 0503 | 447GCA13 | Shaft, Oil Pump Idler Gear | 0107 | 6BG12 |
| Seal, Worm Oil | 1403 | 88AX86 | Shafts, Propeller | 0901 | 7MUA353P6 |
| Seal, Worm Shaft Oil | 1403 | 88AX42 | Shaft Service Assemblies, Rear Drive | 0901 | 16MUA327P44 |
| Seal & Wire Assembly, Cup | 0305 | 21035 | | | |
| Sealer, Cab Door | 1800 | 255AX90 | | | |
| Seat, Bowl | 0302 | 854005 | | | |

ALPHABETICAL INDEX

| Description | QMC Group | Part. No. | Description | QMC Group | Part. No. |
|---|--------------|------------|--|--------------|------------|
| Shaft, Governor Spider & Weight | 0305 | A2060 | Shims, Countershaft Rear Bearing | 0701 | 745KC11 |
| Shaft, Spline | 0704 | 615KC22 | Shim, Foot Valve, Inlet Valve Seat | 1213 | 204541 |
| Shaft, Spline | 0704 | 615KC21B | Shim, Foot Valve Inlet Valve Seat | 1213 | 204542 |
| Shaft, Spline | 0704 | 615KC22B | Shim, Foot Valve Spring | 1213 | 210076 |
| Shaft, Rear Axle LH | 1102 | 68KH353P2 | Shim, Governor | 1213 | 201552 |
| Shaft, Rear Axle RH | 1102 | 68KH353P1 | Shims, Spur Pinion Shaft Bearing Cover | 1103 | 11CT219 |
| Shaft, Reverse Gear | 0704 | 611KC11 | Shims, Worm Shaft Bear- ing Adjusting Nut | 1403 | 10CW143 |
| Shaft, Reverse Gear | 0704 | 611KC12 | Shoe, Bevel Gear | 1104 | 66KH12 |
| Shaft, Second & Third Speed Shifter | 0706 | 598KC25 | Shoe, Bushing & Wear Plate Assembly, Front Brake | 1202 | 7QDA21 |
| Shaft, Second & Third Speed Shifter | 0706 | 598KC26 | Shoe, Bushing & Wear Plate Assembly, Rear Brake | 1202 | 7QDA15 |
| Shaft, Spur Pinion | 1104 | 11EH231 | Shoe, Bushing, Wear Plate & Lining Assem- bly, Front Brake | 1202 | 4QD2037 |
| Shaft, Water Pump | 0503 | 469GC115A | Shoe, Bushing, Wear Plate & Lining Assem- bly Rear Brake | 1202 | 4QDA2031 |
| Shaft & Collar Assem- bly, Distributor | 0603 | 457GCA111 | Shoe, Front Brake | 1202 | 12EHW27 |
| Shaft & Lever Assembly, Governor Valve | 0305 | A2062 | Shoe, Pole | 0602 | 810601 |
| Sheet, Dash | 1800 | 11QR421 | Shoe, Pole | 0601 | 1842744 |
| Sheet Assembly, Side (RH & LH) | 1807 | 7418-1B | Shoe & Bushing Assembly, Rear Brake (Forward) | 1202 | 7QDA23 |
| Sheet Assembly, Side (RH & LH) | 1807 | 7415-1B | Shoe & Bushing Assembly, Rear Brake (Reverse) | 1202 | 7QDA22 |
| Sheet Assembly, Side (RH & LH) | 1807 | 7416-1B | Shoe & Lining, Front Brake (Forward) | 1202 | 12EHW5 |
| Sheet Assembly, Side (RH & LH) | 1807 | 7417-1B | Shoe & Lining, Front Brake (Reverse) | 1202 | 12EHW6 |
| Sheet Assembly, Head | 1807 | 7418-1C | Shoe & Lining Assembly, Rear Brake (Frd) | 1202 | 4QDA2034 |
| Sheet Assembly, Head | 1807 | 7415-1C | Shoe & Lining Assembly, Rear Brake (Reverse) | 1202 | 4QDA2033 |
| Sheet Assembly, Head | 1807 | 7416-1C | Shroud, Fan | 0501 | 5MH31 |
| Sheet Assembly, Head | 1807 | 7417-1C | Shroud, Fan | 0501 | 5MH444 |
| Shell, Cylinder | 1210 | BK18635 | Shroud & Seal Assembly, Air Cleaner | 0301 | 25MDA14 |
| Shell, Radiator | 0501 | 4EH512 | Side Members | 1506 | 2QLC4156P9 |
| Shield, Front Brake Dust | 1208 | 12EHW3 | Sills, Wood | 1807 | 7434-5 |
| Shield, Fuel Pump | 0304 | 499GC11 | Sills, Wood | 1807 | 7434-1 |
| Shield, Radiator | 0501 | 4EM42 | Sills, Wood | 1807 | 7434-2 |
| Shield, Radiator | 0501 | 9MF21 | Sills, Wood | 1807 | 7434-3 |
| Shield, Rear Brake Dust | 1208 | 35QDA22 | Sills, Wood | 1807 | 7434-6 |
| Shield, Rear Brake Dust | 1208 | 35QDA25 | Sills, Wood | 1807 | 7434-1A |
| Shield, Rear Brake Dust | 1208 | 35QDA24 | Sills, Wood | 1807 | 7434-4 |
| Shifter, Auxiliary Speed | 0706 | 705KC21 | Sleeve, Air Compressor Titeflex Tube Nut | 1211 | 52AX5 |
| Shifter, First & Reverse | 0706 | 701KC24 | Sleeve, Air Gauge Tube | 1211 | 52AX15 |
| Shifter, Fourth & Fifth Speed | 0706 | 708KC21 | Sleeve, Air Line at Hand Control Valve | 1211 | 52AX16 |
| Shifter, Second & Third Speed | 0706 | 703KC25 | | | |
| Shims, Bevel Pinion Bearing Spacer | 1104 | 11EH151 | | | |
| Shims, Bevel Pinion Housing | 1103 | 51KH213 | | | |
| Shims, Bevel Pinion Housing Adjusting | 1103 | 11CL222 | | | |
| Shims, Center Bearing Housing | 0903 | 44RU1105P1 | | | |

ALPHABETICAL INDEX

| Description | QMC Group | Part. No. | Description | QMC Group | Part. No. |
|--|-----------|-----------|---|-----------|------------|
| Sleeve, Air Reservoir Outlet Connection | 1211 | 52AX17 | Slinger, Front Hub Oil | 1208 | 27QJ21 |
| Sleeve, Air Reservoir Tube | 1211 | 52AX15 | Slinger, Water Pump Shaft | 0503 | 4BG172 |
| Sleeve, Air Reservoir Tube | 1211 | 52AX17 | Slinger (Rear), Water Pump Shaft | 0503 | 518GC11 |
| Sleeve, Carburetor Drain Fitting Connection | 0304 | 52AX7 | Socket Assembly, Cross Steering LH | 1402 | 10QHA12 |
| Sleeve, Center Bearing | 0903 | 9CJA111-6 | Socket Assembly, Cross Steering RH | 1402 | 10QHA11 |
| Sleeve, Center Bearing | 0903 | 77MU11 | Socket, Floor Board Mat Fastener | 1802 | 73AX11 |
| Sleeve at Check Valve | 1211 | 52AX5 | Socket Assembly, Lamp | 0605 | 15EH313-10 |
| Sleeve, Check Valve Connection | 1211 | 52AX16 | Spacer, Adjusting Link | 0601 | 37AX182 |
| Sleeve, Check Valve to Tee Tube | 1211 | 52AX5 | Spacer, Bevel Gear | 1104 | 11EH149 |
| Sleeve Assembly, Clutch | 0202 | 7EHB9 | Spacer, Bevel Pinion Bearing | 1104 | 11EH150 |
| Sleeve, Emergency Line Elbow | 1211 | 52AX16 | Spacer, Bevel Pinion Bearing | 1104 | 11CW110 |
| Sleeve, Foot Valve Connector | 1211 | 52AX16 | Spacer, Booster Valve | 1211 | BK21844 |
| Sleeve, Four Way Cock Compression Elbow | 0304 | 52AX6 | Spacer, Brake Pedal | 1204 | 37AX19 |
| Sleeve, Fourth Speed Gear | 0704 | 786KC11 | Spacer, Compressor Drive Shaft | 0112 | 1BG1377 |
| Sleeve, Fourth Speed Gear | 0704 | 786KC12 | Spacer, Door Keeper | 1805 | 44RU1313 |
| Sleeve, Front Wheel Flex. Hose Connection | 1211 | 52AX16 | Spacer, Engine Front Support | 0110 | 46QL11 |
| Sleeve, Gas Line Tube Connecting | 0304 | 52AX6 | Spacer, Emergency Brake Operating Rod | 1201 | 35AX51 |
| Sleeve, Governor Tube | 1211 | 52AX15 | Spacer, Fifth Wheel | 1507 | 44RU229P1 |
| Sleeve, Governor Weight Thrust | 0305 | G3775 | Spacer, Foot Valve | 1213 | 10BX2164A |
| Sleeve, Quick Release Valve to Foot Valve Tube Elbow | 1211 | 52AX16 | Spacer, Four Way Valve Marker Plate Screw | 0304 | 35AX310 |
| Sleeve, Relay Valve to Check Valve Line | 1211 | 52AX16 | Spacer, Front Brake Anchor Pin | 1203 | 12EHW23 |
| Sleeve, Relay Valve to Foot Valve Tube | 1211 | 52AX15 | Spacer, Front Spring | 1602 | 13EH21 |
| Sleeve, Relay Valve to Foot Valve Tube | 1211 | 52AX16 | Spacer, Front Spring Rebound Clip | 1601 | 13BMS19 |
| Sleeve, Relay Valve to Stop Light Switch Tube | 1211 | 52AX15 | Spacer Assembly LH, Gas Tank | 0304 | 47RU1232 |
| Sleeve, Relay Valve Tube | 1211 | 52AX17 | Spacer Assembly RH, Gas Tank | 0304 | 47RU1231 |
| Sleeve, Service Elbow | 0602 | 1849782 | Spacer, Grab Handle | 1800 | 44RU1131 |
| Sleeve, Service Line Elbow | 1211 | 52AX16 | Spacer, Grab Handle | 1800 | 44RU1335 |
| Sleeve, Speedometer Drive | 0705 | 8EJ115 | Spacer, Hand Control Valve | 1213 | 10BG1703 |
| Sleeve, Stop Light Switch | 1211 | 52AX15 | Spacer, Hood Handle | 1704 | 35AX455 |
| Sleeve, Water Pump Vent Tube | 0505 | 52AX9 | Spacer, Hood Latch Clip | 1704 | 35AX455 |
| Slinger (Front), Crankshaft Oil | 0102 | 517GC13 | Spacer, Ignition Coil Mounting | 0604 | 35AX246 |
| | | | Spacer, Radiator Shell Division Panel Screw | 0501 | 35AX66 |
| | | | Spacer, Radiator Support Rubber | 0504 | 37AX382 |
| | | | Spacer, Radiator Support Rubber | 0504 | 35AX710 |
| | | | Spacer, Rear Axle Bumper | 1602 | 11EH132A |
| | | | Spacer, Rear Brake Cylinder | 1207 | 50QD12 |

ALPHABETICAL INDEX

| Description | QMC Group | Part. No. | Description | QMC Group | Part. No. |
|---------------------------------------|--------------|------------|--|--------------|-----------|
| Spacer, Rear Sill Cover Plate | 1800 | 35AX570 | Spring, Clutch Throwout Collar | 0203 | 117KD14 |
| Spacer, Rear Spring Clip | 1602 | 13EH225 | Spring, Compressor Air Cleaner | 1213 | 203698 |
| Spacer, Rear Spring Helper Spring | 1602 | 13AB2326A | Spring, Compressor Discharge Valve | 1213 | 203111 |
| Spacer, Rear Spring Rebound Clip | 1601 | 13BBM34 | Spring, Compressor Unloader Lever | 1213 | 203113 |
| Spacer, Rear Wheel Rim | 1301 | 11CG236 | Spring, Compressor Unloader Valve | 1213 | 203112 |
| Spacer, Reverse Gear Bearing | 0704 | 40KD12 | Spring, Cowl Vent | 1800 | 58AX48 |
| Spacer, Running Board | 1703 | 104AX20 | Spring, Cross Steering Tube Ball Joint Dust Retainer | 1402 | 58AX71 |
| Spacer, Sill | 1807 | 7421-13 | Spring, Current Regulator Armature | 0601 | 1878500 |
| Spacer, Speedometer Drive Worm | 0705 | 42KD11 | Spring, Diaphragm | 0302 | 1521187 |
| Spacer, Steering Column Bracket | 1405 | 44RU1200 | Spring, Diaphragm | 0603 | 1866955 |
| Spacer, Valve Spring Cover Screw | 0105 | 1BG1399 | Spring, Distributor Cap | 0603 | 1871838 |
| Spacer, Water Pump Brg. | 0503 | 544GC12 | Spring, Drag Link | 1401 | 10CG339-8 |
| Spacer, Wheel Bearing | 1301 | 35AX456 | Spring, Drive | 0602 | 1850812 |
| Spacer, Worm Shaft Bearing | 1403 | 10CW662 | Spring, Emergency Brake Band Anchor Clip | 1201 | 58AX109 |
| Spacer, Wrist Pin Plug | 0103 | 1BG1411 | Spring, Emergency Brake Band Separating | 1201 | 58AX82 |
| Spacer, Wrist Pin Plug | 0103 | 1BG1410 | Spring, Emergency Brake Hand Lever | 1201 | 366SH31 |
| Spacer, Yoke Pin | 1507 | 16ST379-14 | Spring, Emergency Brake Hand Lever Spoon | 1201 | 370S216 |
| Speedometer | 2203 | 15EJ330 | Spring, Foot Valve | 1213 | 210209 |
| Spider, Differential | 1104 | 32KH21B | Spring, Foot Valve | 1213 | 212701 |
| Spider, Governor | 0305 | G3757 | Spring, Foot Valve Treadle | 1213 | 210195 |
| Spoon, Emergency Brake Hand Lever | 1201 | 374SH11 | Spring, Foot Valve Valve | 1213 | 210002 |
| Spout Complete, Gas Tank Filler | 0304 | 21MB33 | Springs, Front | 1601 | 2QK2147 |
| Spout Assembly, Gas Tank Filler LH | 0304 | 21MB37P1 | Spring, Front Brake Adjusting Cam | 1203 | 12EHW12 |
| Spout Assembly, Gas Tank Filler RH | 0304 | 21MB36P1 | Spring, Front Brake Chamber Push Rod | 1213 | 204678 |
| Spout & Pocket Seal, Gas Tank Filler | 1800 | 53MB11 | Spring, Front Brake Guide Pin | 1203 | 12EHW28 |
| Spring, Accelerator Retractor | 0303 | 58AX127 | Spring, Front Brake Shoe Return | 1203 | 12EHW22 |
| Spring Assembly | 0305 | 24903 | Spring, Front Brake Shoe Return | 1203 | 58AX55 |
| Spring, Booster Valve | 1211 | BK930 | Spring, Front Slack Adjuster Worm Ball | 1203 | 58AX137 |
| Spring, Booster Valve Return | 1211 | BK21842 | Spring, Front Wheel Cylinder Piston Cup | 1207 | 11BLH9 |
| Spring, Brake Pedal Retractor | 1204 | 10AB12040 | Spring, Gas Tank Filler Spout Door | 1800 | 15EH118 |
| Spring, Brush | 0602 | 813521 | Spring, Gas Tank Support Bolt | 0304 | 58AX59 |
| Spring, Choke Valve Retainer | 0301 | P16763 | Spring, Governor | 0305 | 588GC13 |
| Spring, Choke Valve Return | 0301 | P16763 | Spring, Governor | 1213 | 201769 |
| Spring, Clutch | 0202 | 7EHB2 | Spring, Hand Control Valve Piston (Lower) | 1213 | 203253 |
| Spring, Clutch | 0202 | 7EHB13 | | | |
| Spring, Clutch Pedal Retractor | 0204 | 10AB12040 | | | |
| Spring, Clutch Pressure Plate Release | 0202 | 7EHB4 | | | |
| Spring, Clutch Pressure Plate Release | 0202 | 7EHB18 | | | |

ALPHABETICAL INDEX

| Description | QMC Group | Part. No. | Description | QMC Group | Part. No. |
|--|--------------|------------|---|--------------|------------|
| Spring, Hand Control Valve Piston (Upper) | 1213 | 203269 | Spring, Valve | 0302 | 856270 |
| Spring, Hand Control Valve Poppet | 1213 | 204185 | Spring, Valve | 0105 | 1B6133 |
| Spring, Hand Control Valve Valve | 1213 | 203265 | Spring, Voltage Regulator Armature | 0601 | 1878501 |
| Spring, Horn Button | 0609 | 5EH132-6 | Spring, Voltage Regulator Armature | 0601 | 1878500 |
| Spring, Horn Button Contact | 0609 | 10EJR28 | Spring, Water Pump Seal | 0503 | 5786C11 |
| Spring, Idle Adjusting Screw | 0301 | P15831 | Spring, Weight | 0603 | 1884136 |
| Spring, Idle Needle Valve | 0301 | P12530 | Spring, Wiper | 1801 | 1721 |
| Spring, Lens | 0608 | CB258 | Spring, Wiper Valve | 1801 | 484 |
| Spring, Lever Latch | 1507 | 16ST379-17 | Spring, Yoke Compression | 1507 | 16ST379-16 |
| Spring, Main Brush | 0601 | 1838341 | Stake | 1807 | 7433 |
| Spring, Master Cylinder Piston Return | 1205 | 10EHW1 | Starting Motor | 0602 | 5EB316 |
| Spring Assembly, Oil Pressure Relief Valve | 0107 | 6CFA1136 | Stem, Choke | 0301 | P17517 |
| Spring, Plunger | 0305 | 24915 | Stem, Choke | 0301 | P21756 |
| Spring, Rear Brake Chamber Push Rod | 1213 | 212294 | Stem, Foot Valve, Valve | 1213 | 204916 |
| Spring, Rear Brake Chamber Push Rod | 1213 | 212295 | Stem, Relay Valve Supply Valve | 1213 | 202693 |
| Spring, Rear Brake Shoe Adjusting Cam | 1203 | 58AX77 | Stem, Throttle | 0301 | P17801 |
| Spring, Rear Brake Shoe Return | 1203 | 12BJ132 | Stem, Throttle | 0301 | P23415 |
| Spring, Rear Brake Shoe Return | 1203 | 58AX55 | Step, Fender, Interm. | 1701 | 85QM327 |
| Spring, Rear Brake Slack Adjuster Worm Lock Ball | 1203 | 58AX137 | Stiffener, Cab Door Panel | 1805 | 180QS25 |
| Spring, Rear Helper | 1601 | 5QK221 | Stop, Loose Lever | 0301 | P17287 |
| Spring, Rear LH | 1601 | 4QK2271 | Stop Assembly, Throttle | 0301 | P16795 |
| Spring, Rear RH | 1601 | 4QK2270 | Stop, Throttle Loose Lever | 0301 | P17287 |
| Spring, Rear Wheel Cylinder Piston Cup | 1207 | 11EHW20 | Strainer Assembly | 0301 | P12958 |
| Spring, Regulator Armature | 0601 | 1878500 | Strainer, Gasoline | 0301 | P12958 |
| Spring, Relay Valve | 1213 | 202698 | Strainer, Governor | 1213 | 205115 |
| Spring, Relay Valve Supply Valve | 1213 | 202699 | Strap, Battery Ground | 0610 | 28MK11P2 |
| Spring, Reverse Lock-out Plunger | 0706 | 110KD11 | Strap, Battery Ground | 0610 | 28MK11P5 |
| Spring, Rocker Arm | 0302 | 855253 | Strap, Connector | 0601 | 1878504 |
| Spring, Safety Valve | 1213 | 201614 | Strap, Control Lever Clamping | 1213 | 48RU129 |
| Spring, Shifter Lever | 0706 | 116KD11 | Strap, Gas Tank | 0304 | 2EB202 |
| Spring, Shifter Shaft Ball | 0706 | 8CJ124 | Strap, Gas Tank | 0304 | 7MB3020 |
| Spring, Side Vent | 1800 | 58AX106 | Strap, Master Cylinder Boot (Large) | 1205 | 10EHW7 |
| Spring, Side Vent | 1800 | 58AX105 | Strap, Master Cylinder Boot (Small) | 1205 | 10EHW6 |
| Spring, Strainer | 0301 | P23143 | Strap, Rear Brake Shoe Anchor Pin | 1203 | 18QD11 |
| Spring, Stoplight Switch | 0606 | 203620 | Straps, Roll-up | 2310 | 7418-1E |
| Spring, Trailer Connection Hose | 1211 | 10AC13822 | Straps, Roll-up | 2310 | 7415-1E |
| | | | Straps, Roll-up | 2310 | 7416-1E |
| | | | Straps, Roll-up | 2310 | 7417-1E |
| | | | Strap, Safety | 2310 | 6446-2 |
| | | | Strap, Starting Motor Ground | 0602 | 19MJ101 |
| | | | Strap, Tire Carrier Rim Support (Lower) | 1505 | 17RE222 |
| | | | Strap, Tire Carrier Rim Support (Upper) | 1505 | 17RE221 |
| | | | Stop, Compressor Unloader Valve | 1213 | 203107 |

ALPHABETICAL INDEX

| Description | QMC Group | Part. No. | Description | QMC Group | Part. No. |
|---|-----------|-----------|--|-----------|-----------|
| Stop, Throttle Control Wire | 0303 | 10EH1128 | Stud only, Terminal | 0601 | 810459 |
| Stop, Windshield Frame Rubber | 1801 | 104AX55 | Stud & Lead Assembly, Terminal | 0601 | 1868729 |
| Stud, Air Cleaner Pipe Bracket | 0301 | 17AX52 | Stud, Water Pump Housing & Cylinder | 0503 | 16AX382 |
| Stud, Auxiliary Transmission Case | 0701 | 16AX1 | Sub Assembly, Governor Support, Center Bearing | 0305 | GG115 |
| Stud, Booster Valve & Master Cylinder Mounting | 1205 | 43RU15P1 | Support, Distributor Cap Spring | 0903 | 36MU29 |
| Stud, Brush Holder | 0601 | 1838345 | Support, Drive Shaft Guard | 0603 | 1847289 |
| Stud, Carburetor Flange | 0301 | 18AX143 | Support, Drive Shaft Guard | 0901 | 9EJ12 |
| Stud, Carburetor Flange | 0301 | 18AX206 | Support, Engine (Frnt) | 0901 | 9EM112 |
| Stud, Compressor Air Outlet Flange | 1213 | 16AX399 | Support, Engine (Frnt) | 0110 | 14EH49 |
| Stud, Compressor Crankcase | 1213 | 202998 | Support, Engine (Rr) | 0110 | 10QL33 |
| Stud, Compressor Cylinder Body | 1213 | 16AX399 | Support, Front Fender | 0110 | 1BG516B |
| Stud, Compressor Cylinder Head | 1213 | 203000 | Support, Front Fender | 1504 | 15QM417P1 |
| Stud, Compressor Rear End Cover | 1213 | 203138 | Supports, Gas Tank | 1504 | 15QM416P1 |
| Stud, Cylinder | 1210 | BK18645 | Support, Running Board | 0304 | 5MB220 |
| Stud, Cylinder Head | 0101 | 18AX451 | Support, Running Board | 1504 | 15EM24 |
| Stud, Differential Bearing Cap | 1103 | 16AX273 | Support, Running Board Apron | 1703 | 71QM24 |
| Stud, Differential Bearing Cap | 1103 | 18AX326 | Support, Running Board Apron | 1702 | 34QM18 |
| Stud, Differential Pinion | 1104 | 11EH145 | Support, Running Board Apron LH | 1702 | 34QM111 |
| Stud, Emergency Brake Support, Emergency Brake Hand Lever | 1201 | 35MW14 | Support, Running Board Apron RH | 1702 | 34QM110 |
| Stud, Exhaust Manifold & Cylinder | 0108 | 17AX42 | Support, Seat | 1800 | 71QS51 |
| Stud, Field Terminal | 0602 | 826938 | Support, Side Mounted Air Reservoir | 1213 | 70QE22P1 |
| Stud, Foot Valve Body | 1213 | 210049 | Support, Toe & Floor Board | 1800 | 27QR21 |
| Stud, Floor Board Mat Fastener | 1802 | 73AX28 | Suppressor, Radio Distributor | 0612 | 57MT11 |
| Stud, Gauge Cluster Mounting Bracket | 0605 | 15EH313-7 | Suppressor, Radio Spark Plug | 0612 | 58MT11 |
| Stud, Inlet Manifold | 0108 | 17AX42 | Switch, Headlamp Foot Control | 0607 | 1MR14 |
| Stud, Lower Bracket | 1504 | 18AX258 | Switch, Ignition Casing | 0604 | 5EJ118 |
| Stud, Oil Filter & Cylinder | 0107 | 16AX204 | Switch, Lighting | 0606 | 1MR23 |
| Stud, Oil Slinger Housing (Lower) | 0102 | 16AX127 | Switch, Starting | 0602 | 5EH127 |
| Stud, Rear Axle Shaft Flange | 1102 | 18AX340 | Switch, Stop & Tail Lamp | 0606 | 5CG114 |
| Stud, Rear Brake Chamber | 1213 | 202672 | Switch, Stop & Tail Lamp | 0606 | 5CG140 |
| Stud, Spline Shaft Rear Bearing Cover | 0701 | 16AX393 | Tag, Radiator Caution | 0501 | 52MF12 |
| Stud, Steering Gear Lever Ball | 1403 | 10QC17 | Tailgate Assembly | 1807 | 7418-1D |
| | | | Tailgate Assembly | 1807 | 7415-1D |
| | | | Tailgate Assembly | 1807 | 7416-1D |
| | | | Tailgate Assembly | 1807 | 7417-1D |
| | | | Tank Assembly, Gas | 0304 | 2EH41A |
| | | | Tanks, Gas | 0304 | 2MB4253P2 |
| | | | Tank, Master Cylinder Supply | 1205 | 381SK14 |
| | | | Tarpaulin | 2310 | 7420-1 |
| | | | Tarpaulin | 2310 | 7420-7J |
| | | | Tee, Booster Cylinder Connection | 1211 | 63AX222 |

ALPHABETICAL INDEX

| Description | QMC Group | Part. No. | Description | QMC Group | Part. No. |
|--------------------------|--------------|-------------|--------------------------|--------------|-----------|
| Tee, Check Valve | 1211 | 63AX505 | Tube, Air Compressor | | |
| Tee, Check Valve | 1211 | 63AX1142 | Titeflex | 1211 | 10BK1255 |
| Tee, Foot Valve | 1211 | 63AX65 | Tube, Check Valve to | | |
| Tee Assembly, Governor | | | Manifold | 1211 | 17QE22 |
| Tube | 1211 | 63AX1103 | Tube, Check Valve to | | |
| Tee, Hose & Tube | | | Manifold | 1211 | 59RU312P7 |
| Connection | 1211 | 63AX69 | Tube, Check Valve to | | |
| Tee, Master Cylinder to | | | Tee | 1211 | 246AX122 |
| Front Brake Tube Con- | | | Tube (Complete) Com- | | |
| nection | 1209 | 63AX910 | pressor Oil | 0107 | 201GC12 |
| Tee, Rear Brake Flexible | | | Tube, Compressor Water | | |
| Hose & Tube Connection | 1209 | 63AX605 | Inlet | 0505 | 219GC19 |
| Tee Assembly, Relay | | | Tube, Compressor Water | | |
| Valve to Check Valve | | | Outlet | 0505 | 109AX14 |
| Line | 1211 | 63AX1105 | Tube, Cross Steering | 1402 | 6QH35 |
| Tee Assembly, Relay | | | Tube Assembly, Cross | | |
| Valve to Foot Valve | | | Steering | 1402 | 7QHA314 |
| Tube | 1211 | 63AX1145 | Tube, Distributor | | |
| Temperature Indicator | 0605 | 15EJ329-9 | Vacuum | 0603 | 107AX9 |
| Terminal, Distributor | 0603 | 5BG197 | Tube, Distributor | | |
| Terminal, Distributor | | | Vacuum | 0603 | 107AX13 |
| & Coil | 0605 | 86AX15 | Tube, Drag Link | 1401 | 10EH329-1 |
| Terminal, Generator | | | Tube, Drag Link | 1401 | 381SL16 |
| Wire | 0606 | 86AX16 | Tube, Foot Valve, Ex- | | |
| Terminal, Headlamp Wire | 0607 | 5CJ146 | haust Valve | 1213 | 210073 |
| Terminal, Horn Wire | 0609 | 5CJ146 | Tube, Front Wheel Brake | | |
| Terminal, Low Tension | | | Flexible Hose Connec- | | |
| Wire | 0604 | 86AX8 | tion | 1209 | 59RU31P4 |
| Terminal, Low Tension | | | Tube, Front Wheel Brake | | |
| Wire | 0604 | 86AX7 | Flexible Hose Connec- | | |
| Terminal, Spark Plug | 0612 | 77AX1 | tion | 1209 | 59RU31P12 |
| Terminal, Spark Plug | 0604 | 86AX13 | Tube, Fuel Pump to | | |
| Terminal, Starting | | | Carburetor | 0302 | 108AX16 |
| Motor | 0602 | 86AX5 | Tube, Fuel Pump Inlet | 0304 | 36RU18 |
| Terminal, Starting | | | Tube, Fuel Pump Inlet | 0304 | 36RU138 |
| Switch Wire | 0602 | 86AX10 | Tube, Gas Line Flexible | 0304 | 36RU18A |
| Terminal, Stoplight | | | Tube, Governor Throttle | | |
| Switch | 0606 | 203063 | Rod | 0305 | 2BG47A-4 |
| Terminal, Stoplight | | | Tube Assembly, Horn Wire | 1403 | 33KFA15 |
| Switch Wire | 0608 | 86AX17 | Tube, Idle | 0301 | P22702 |
| Terminal, Stop & Tail | | | Tube, Idle | 0301 | 2BG197 |
| Wire | 0608 | 5EH160 | Tubes, Master Cylinder | | |
| Thermometer, Dash | 0502 | 15EJ329P9 | to Front Brake | 1209 | 59RU34P13 |
| Thermostat | 0502 | 657GC217 | Tubes, Master Cylinder | | |
| Throttle Control | 0605 | 21QBC24P17 | to Rear Brake | 1209 | 59RU34P5 |
| Throttle Control | 0303 | 21QB24P18 | Tube, Master Cylinder | | |
| Tool Kit | 2306 | 16EH121 | to Tee | 1211 | 246AX36 |
| Tool, Rim Socket Wrench | | | Tube, Radiator Filler | 0505 | 50MF11 |
| Handle & Rim | 2306 | 16AB21891 | Tube, Radiator to Pump | | |
| Transmission Assemblies | 0700 | 11KBA5111P1 | Connection | 0505 | 11MF316 |
| Transmission Case | | | Tube, Radiator to Pump | | |
| Assemblies | 0701 | 284KBA211 | Connection | 0505 | 11MF317 |
| Tray, Jack | 1800 | 26QS33 | Tube, Rear Brake Con- | | |
| Treadle, Foot Valve | 1213 | 216375 | nection LH | 1209 | 59RU33P1 |
| Trim Cap, Front Wheel | | | Tube, Rear Brake Con- | | |
| Hub | 1301 | 19QJ214 | nection RH | 1209 | 59RU33P2 |

ALPHABETICAL INDEX

| Description | QMC Group | Part. No. | Description | QMC Group | Part. No. |
|-------------------------------------|--------------|------------|---|--------------|------------|
| Tube, Steering Gear Jacket | 1403 | 35KFAC27P1 | Valve, Governor | | |
| Tube Assembly, Steering Gear Jacket | 1403 | 35KFAC27P5 | Vacuum Spark Control | 0305 | 696GC21 |
| Tube, RH Tank to Valve | 0304 | 108AX40 | Valve, Hand Control | 1213 | 10BQ348 |
| Tube, LH Tank to Valve | 0304 | 108AX96 | Valve, Hand Control | | |
| Tube, Valve to Cylinder | 1211 | 110AX50 | Valve, Inlet & Exhaust | 1213 | 215306 |
| Tube, Valve to Seat Tank | 0304 | 108AX28 | Valve, Idle Needle | 0301 | P15396 |
| Tube, Valve to Titeflex | 0304 | 108AX34 | Valve, Inlet | 0105 | 18G2141 |
| Tube, Vent | 0301 | P16848 | Valve Assembly, Master Cylinder | 1205 | 10BLHA14 |
| Tube, Vent | 0301 | P17499 | Valve Assembly, Pump Check | 0301 | P23135 |
| Tube, Venturi | 0301 | P16845 | Valve, Pump Inlet Check | 0301 | P23135 |
| Tube, Venturi | 0301 | P17498 | Valve, Relay | 1213 | 20QE25 |
| Tube, Water Pump Vent | 0505 | 121AX10 | Valve, Relief | 0902 | 9CLS4 |
| Tube, Windshield Wiper | 1801 | 331AX75 | Valve, Throttle | 0301 | P12251 |
| Tubing, Oil Gauge | 0107 | 15MJC21P2 | Valve, Throttle | 0301 | P16064 |
| Tubing, Oil Gauge | 0107 | 15MJC21P4 | Valve, Wiper Slide | 1801 | 2255-1 |
| Union, | 0301 | P15278 | Valve & Mounting Bracket, Check | 1211 | 13QE12 |
| Union Assembly, Gas | 0301 | P15278 | Valve & Seat Assembly, Float Needle | 0301 | P17282 |
| Unit, Headlamp Sealed Beam | 0607 | 102M021P1 | Valve & Seat Assembly, Float Needle | 0301 | P18811 |
| Vacuum Advance Unit, Distributor | 0603 | 685GC12 | Ventilator Assembly, Side LH | 1800 | 26QU37 |
| Vacuum Control less Bracket | 0603 | 1866952 | Ventilator Assembly, Side RH | 1800 | 26QU36 |
| Valve | 0302 | 055279 | Washer, Accelerator Pedal Bracket | 0303 | 36AX22 |
| Valve, Air Reservoir Safety Valve | 1213 | 10AC13065 | Washer, Accelerator Retractor Spring Mounting Clamp Screw Nut | 0303 | 36AX14 |
| Valve Assembly | 0305 | 23928 | Washer, Accelerator Shaft Bracket Mounting Bolt | 0303 | 36AX1 |
| Valve, Booster | 1211 | 4QE31B | Washer, Adjusting Link Support Bracket Mounting Screw | 0601 | 36AX3 |
| Valve, Brake Tube Connection | 1211 | 61AX62 | Washer, Air Brake Connection | 1211 | 35AX191 |
| Valve, Choke | 0301 | P17515 | Washer, Air Brake Tubing Clamp Screw | 1211 | 36AX14 |
| Valve Assembly, Choke | 0301 | P21758 | Washer, Air Chamber & Rear Brake Camshaft Bracket Screw | 1203 | 36AX5 |
| Valve, Compressor Discharge | 1213 | 203102 | Washer, Air Cleaner Pipe Bracket Stud Nut | 0301 | 37AX105 |
| Valve, Compressor Unloader | 1213 | 212155 | Washer, Air Reservoir Clamp Rod | 1213 | 36AX3 |
| Valve, Double Check | 1213 | 13QE15 | Washer, Ammeter Terminal Lock | 0605 | 15EH313-15 |
| Valve, Double Check Valve Slide | 1213 | 212205 | Washer, Ammeter Terminal Plain | 0605 | 15EH313-14 |
| Valve, Exhaust | 0105 | 18G2140 | Washer, Auxiliary Case Dowel Bolt | 0701 | 37AX10 |
| Valve, Foot | 1213 | 20QE36 | | | |
| Valve, Foot Valve, Inlet-Exhaust | 1213 | 216281 | | | |
| Valve, Four Way | 0304 | 61AX45 | | | |
| Valve, Gas Line Four Way | 0304 | 61AX45 | | | |
| Valve (Lower), Governor | 1213 | 201518 | | | |
| Valve (Upper), Governor | 1213 | 201737 | | | |
| Valve Assembly (Upper), Governor | 1213 | 217221 | | | |
| Valve, Governor Butterfly | 0305 | SC-200 | | | |

ALPHABETICAL INDEX

| Description | QMC Group | Part. No. | Description | QMC Group | Part. No. |
|---|--------------|-----------|--|--------------|-----------|
| Washer, Auxiliary Fuel System Four Way Valve Mounting Screw | 0304 | 36AX1 | Washer, Brush Ground Lead Screw Lock | 0602 | 106496 |
| Washer, Auxiliary Gas Tank Gauge Screw | 0304 | 36AX14 | Washer, Brush Holder Insulator | 0601 | 825189 |
| Washer, Auxiliary Shift Sealing Felt Screw | 1802 | 36AX14 | Washer, Brush Holder Space | 0601 | 825187 |
| Washer, Auxiliary Spline Shaft Gear Thrust | 0704 | 239KD13 | Washer, Brush Holder Stud Nut Lock | 0601 | 802731 |
| Washer, Ball Bearing Retainer Plate Screw Lock | 0601 | 802731 | Washer, Brush Holder Support Screw Lock | 0601 | 802731 |
| Washer, Battery Clamp Bolt | 1803 | 36AX3 | Washer, Brush Lead Attaching Screw Lock | 0601 | 106497 |
| Washer, Battery Cradle Mounting Bolt | 1803 | 36AX3 | Washer, Brush Plate Clamp Screw Lock | 0601 | 106497 |
| Washer, Battery Cradle Mounting Bolt | 1803 | 36AX5 | Washer, Bumper Mounting Bolt Plain | 2101 | 37AX93 |
| Washer, Bell Housing Inspection Cover Screw Lock | 0207 | 36AX3 | Washer, Cab & Apron Support Mounting Bolt Lock | 1702 | 36AX1 |
| Washer, Bevel Gear Thrust Screw Lock | 1104 | 35AX289 | Washer, Cab Cowl & Apron Mounting Bolt | 1702 | 36AX3 |
| Washer, Bevel Pinion Bearing Retainer Screw | 1103 | 36AX41 | Washer, Cab Door Check | 1805 | 37AX29 |
| Washer, Bevel Pinion Housing Cover | 1103 | 36AX3 | Washer, Cab Door Garnish Moulding Screw | 1805 | 35AX74 |
| Washer, Bevel Pinion Housing Screw | 1103 | 36AX5 | Washer, Cab Door Handle Screw (Inside) | 1805 | 36AX1 |
| Washer, Bevel Pinion Housing Screw | 1103 | 36AX6 | Washer, Cab Door Handle Screw (Outside) | 1805 | 35AX242 |
| Washer, Booster Hose Clamp Screw | 1211 | 36AX22 | Washer, Cab Door Handle Screw (Outside) | 1805 | 37AX175 |
| Washer, Booster Valve | 1211 | BK-21857 | Washer, Cab Door Lock Screw | 1805 | 35AX623 |
| Washer, Booster Valve Air Cleaner Cover | 1211 | BK-10031 | Washer, Cab Door Hinge Keeper Screw | 1805 | 35AX676 |
| Washer, Booster Valve Diaphragm Plate | 1211 | BK-21451 | Washer, Cab Door Hinge Screw (#16x33/64") | 1805 | 35AX623 |
| Washer, Booster Valve Disc Stop | 1211 | BK-10176 | Washer, Cab Door Lock Keeper Screw (#12 x 7/16") | 1805 | 35AX676 |
| Washer, Booster Valve & Master Cylinder Mounting Stud Nut | 1205 | 36AX9 | Washer, Cab Door Window Stop Bracket Screw | 1805 | 36AX14 |
| Washer, Booster Valve Rod Felt | 1211 | BK-21966 | Washer, Cab Mounting | 1805 | 37AX63 |
| Washer, Brake Chamber Mounting Bolt Lock | 1213 | 36AX5 | Washer, Cab Rear Mounting Bolt | 1803 | 37AX35 |
| Washer, Brake Cylinder Bolt | 1205 | 36AX4 | Washer, Cab Support Channel | 1506 | 36AX3 |
| Washer, Brake Drum Cap Screw | 1302 | 36AX3 | Washer, Camshaft Thrust | 0106 | 1BG2194 |
| Washer, Breaker Lever Spring Screw Plain | 0603 | 810794 | Washer, Carburetor Flange Stud | 0301 | 36AX3 |
| Washer, Breaker Plate Support Screw Lock | 0603 | 106496 | Washer, Carburetor Air Intake Grille Screw | 0301 | 37AX175 |
| Washer, Brush Attaching Screw Lock | 0602 | 106495 | Washer, Carburetor Flange Stud | 0301 | 36AX4 |
| | | | Washer, Carrier to Rear Axle Housing | 1103 | 36AX5 |
| | | | Washer, Center Bearing End Cover | 0903 | 36AX2 |

ALPHABETICAL INDEX

| Description | QMC Group | Part. No. | Description | QMC Group | Part. No. |
|--|--------------|------------|---|--------------|-----------|
| Washer, Center Bearing End Cover | 0903 | 9CJA111-11 | Washer, Differential Pinion Thrust | 1104 | 11CW111 |
| Washer, Center Bearing Felt | 0903 | 9CJA111-9 | Washer, Differential Pinion Thrust | 1104 | 11EH147 |
| Washer, Center Bearing Felt | 0903 | 41AX239 | Washer, Differential Side Gear Thrust | 1104 | 11EH146 |
| Washer, Center Bearing Mounting | 0901 | 36AX5 | Washer, Differential Side Gear Thrust | 1104 | 38KH11 |
| Washer, Center Bearing Sleeve | 0901 | 9CJA111-8 | Washer, Distributor | 0604 | 37AX81 |
| Washer, Center Bearing Sleeve | 0901 | 35AX856 | Washer, Distributor Bracket & Cylinder Head Screw | 0603 | 36AX2 |
| Washer, Center Bearing Support | 0903 | 37AX172 | Washer, Distributor Cap Spring Support Screw Lock | 0603 | 106496 |
| Washers, Center Main Bearing | 0102 | 714GC112 | Washer, Distributor Vacuum Advance Unit Screw | 0603 | 37AX230 |
| Washers, Check Valve | 1211 | 36AX1 | Washer, Double Check Valve | 1213 | 210354 |
| Washer, Choke & Throttle Control Wire Nut | 0303 | 36AX60 | Washer, Drive Flange Bolt | 0901 | 36AX3 |
| Washer, Clamp Arm to Control Rod Screw Lock | 0603 | 106497 | Washer, Drive Flange Bolt | 0903 | 36AX5 |
| Washer, Clamp Screw Lock | 0603 | 802760 | Washer, Drive Flange Bolt | 0901 | 37AX344 |
| Washers, Clutch & Brake Pedal | 0204 | 36AX3 | Washer, Drive Shaft Guard | 0901 | 36AX3 |
| Washer, Compressor Flange Cover Screw | 0101 | 35AX23 | Washer, Drive Shaft Guard | 0901 | 36AX5 |
| Washers, Compressor Flange Screw | 1213 | 37AX6 | Washer, Dummy Coupling Block Screw | 1211 | 36AX3 |
| Washer, Condenser At- taching Screw Lock | 0603 | 106496 | Washers, Dust Pan | 1702 | 36AX3 |
| Washer, Control Shaft Bracket Mounting Screw | 1213 | 36AX1 | Washer, Electric Wire Clamp Mounting Screw Lock | 0606 | 36AX14 |
| Washer, Cork | 0902 | 9BGS51 | Washers, Emergency Brake | 1201 | 37AX28 |
| Washer, Cover Screw Insulation | 0601 | 1865616 | Washer, End Cover Plate Screw Lock | 0601 | 106497 |
| Washer, Cowl to Cowl Bar Screw | 1800 | 35AX664 | Washer, End Plate Leather Retaining | 1210 | BK-10030 |
| Washer, Cowl Mounting Bolt | 1803 | 37AX28 | Washers, Engine Support | 0110 | 36AX7 |
| Washer, Cowl Support Bracket Bolt | 1506 | 36AX3 | Washer, Exhaust Mani- fold & Cylinder Stud | 0108 | 37AX256 |
| Washer, Crankcase Gear Cover & Cylinder Screw | 0101 | 37AX7 | Washer, Exhaust Pipe Flange | 1402 | 35AX172 |
| Washer, Crankcase Oil Filler Screw | 0107 | 36AX3 | Washer, Fan Driving Pulley Screw | 0503 | 36AX3 |
| Washer, Crankshaft Starting Jaw | 0102 | 1BG1283 | Washer, Fan Mounting Bolt | 0503 | 36AX3 |
| Washer, Cross Steering Tube Clamp | 1402 | 36AX4 | Washer, Fan Shroud Mounting Bolt Lock | 0501 | 36AX2 |
| Washer, Cylinder Head Water Outlet Elbow Screw | 0505 | 36AX3 | Washer, Fan Shroud Screw | 0501 | 36AX2 |
| Washer, Cylinder Water Manifold Screw | 0505 | 39AX5 | Washer, Felt | 0902 | 9CLS6 |
| Washer, Diaphragm Alignment | 0302 | 855029 | Washer, Felt | 0601 | 37077 |
| | | | Washer, Felt | 0601 | 825197 |
| | | | Washer, Fender & Apron Bolt | 1701 | 36AX1 |

ALPHABETICAL INDEX

| Description | QMC Group | Part. No. | Description | QMC Group | Part. No. |
|---|--------------|-----------|--|--------------|------------|
| Washer, Fender & Apron Bolt | 1701 | 37AX230 | Washer, Front Brake Shoe Anchor Pin Lock | 1203 | 36AX9 |
| Washer, Fender & Apron Mounting Bolt | 1701 | 36AX22 | Washer, Front Brake Shoe Guide Pin | 1203 | 37AX371 |
| Washer, Fender to Bracket | 1504 | 36AX1 | Washer, Front Brake Shoe Guide Pin *C* | 1203 | 15QD11 |
| Washer, Fender to Frame Bracket | 1504 | 36AX5 | Washer, Front Bumper Bolt | 2101 | 441SZ79 |
| Washer, Fender & Hood Support Angle Bolt Nut | 1701 | 36AX5 | Washer, Front Fender Support Bolt | 1504 | 36AX3 |
| Washer, Fender Skirt Seal | 1701 | 37AX175 | Washer, Front Brake Camshaft Bracket & Dust Shield Bolt Lock | 1203 | 36AX7 |
| Washer, Fender Support Angle Mounting Bolt Nut | 1704 | 36AX3 | Washers, Front Bumper | 2101 | 36AX7 |
| Washer, Fender Support Angle Step Bolt | 1704 | 36AX22 | Washers, Front Spring | 1503 | 36AX4 |
| Washer, Fender Support Angle Step Bolt Plain | 1704 | 37AX191 | Washer, Front Spring Rubber Bumper Nut | 1602 | 36AX3 |
| Washer, Fender Support Bolt Nut | 1701 | 36AX1 | Washer, Front Wheel Hub Cap Screw | 1301 | 36AX2 |
| Washer, Fender Support Bracket & Angle Bolt Nut | 1704 | 36AX3 | Washer, Front Wheel Tube & Headlamp Cable Clamp Screw | 1209 | 36AX1 |
| Washer, Fender Support Bracket Mounting Bolt | 1701 | 36AX22 | Washer, Fuel Pump & Cylinder Screw | 0302 | 37AX1 |
| Washer, Fender & Support Mounting Bolt | 1701 | 36AX3 | Washer, Gas Gauge | 0605 | 15EH313-19 |
| Washers, Field Terminal | 0601 | 805790 | Washer, Gas Gauge Insulator | 0605 | 15EH313-20 |
| Washer, Filler Spout Mounting | 0304 | 36AX3 | Washer, Gas Gauge Mounting Screw | 0304 | 36AX14 |
| Washer, Flat (5/16") | 1807 | 37AX158 | Washer, Gas Gauge Stud | 0605 | 15EH313-9 |
| Washers, Floor Board Screw | 1802 | 37AX230 | Washer, Gas Gauge Stud Plain | 0605 | 15EH313-21 |
| Washers, Foot Valve | 1213 | 203567 | Washer, Gas Line Tube Clamp Screw Nut | 0304 | 36AX17 |
| Washer, Four Way Cock Mounting Plate Screw Nut | 0304 | 36AX1 | Washer, Gas Tank Filler Cap Flange | 0304 | 36AX3 |
| Washers, Fourth Speed Gear Thrust | 0704 | 224KD15 | Washer, Gas Tank Strap | 0304 | 36AX3 |
| Washer, Front Brake Anchor Pin *C* | 1203 | 12EHW19 | Washers, Gas Tank Support Bolt | 0304 | 36AX3 |
| Washer, Front Brake Cam Shaft | 1203 | 37AX27 | Washer, Gauge Cluster Mounting Bracket Stud | 0605 | 15EH313-9 |
| Washer, Front Brake Chamber Lock | 1213 | 201319 | Washer, Gear Shift Lever Boot Screw | 1802 | 36AX14 |
| Washer, Front Brake Felt | 1203 | 12EHW17 | Washer, Generator & Adjusting Link Screw Plain | 0601 | 37AX1 |
| Washer, Front Brake Guide Pin *C* | 1203 | 441SM21 | Washers, Glove Compartment | 1800 | 37AX79 |
| Washer, Front Brake Guide Pin Plain | 1203 | 12EHW20 | Washer, Governor Mounting Screw | 1213 | 36AX1 |
| Washer, Front Brake Hose Frame Connection | 1211 | 35AX190 | Washer, Governor Vacuum Spark Control Valve Mounting Screw | 0305 | 35AX432 |
| Washer, Front Brake Hose to Frame Mounting Nut | 1209 | 36AX52 | Washer, Guide Rod Belt Retaining | 1210 | BK11256 |
| Washer, Front Brake Shoe Anchor Pin *C* | 1203 | 12EM12 | Washer, Hand Control Valve Piston Spring | 1213 | 203268 |

ALPHABETICAL INDEX

| Description | QMC Group | Part. No. | Description | QMC Group | Part. No. |
|--|--------------|-----------|--|--------------|------------|
| Washer, Hand Control Valve Shim | 1213 | 203764 | Washers, Idle Tube | 0301 | P22713 |
| Washer, Headlamp Adjustment | 0607 | 35AX791 | Washer, Ignition Coil Screw | 0604 | 36AX1 |
| Washer, Headlamp Bracket Bolt | 0607 | 36AX3 | Washer, Inlet Manifold Stud | 0108 | 37AX256 |
| Washer, Headlamp Bracket Bolt | 0607 | 37AX66 | Washer, Inlet Manifold & Vaporizer Screw | 0108 | 36AX42 |
| Washer, Headlamp Foot Control Switch | 0607 | 36AX1 | Washer, Intermediate Step Bolt Lock | 1701 | 36AX2 |
| Washer, Headlamp Frame Bracket Bolt | 0607 | 36AX5 | Washer, Lighting Switch Terminal | 0606 | 36AX39 |
| Washer, Headlamp Mounting Bracket | 0607 | 36AX1 | Washer, Lock (5/8") | 1807 | 36AX7 |
| Washer, Headlamp Mounting Nut | 0607 | 36AX5 | Washer, Lock (3/8") | 1807 | 36AX3 |
| Washer, Hood Anchor Bracket Screw Nut | 1704 | 36AX14 | Washer, Lower Bracket | 1504 | 36AX4 |
| Washer, Hood Eye Bolt Nut | 1704 | 36AX1 | Washer, Lower Crankcase & Cylinder Screw | 0107 | 36AX3 |
| Washer, Hood Handle Screw Nut | 1704 | 37AX39 | Washer, Lower Crankcase & Cylinder Screw | 0107 | 4AX58 |
| Washer, Hood Handle Screw Nut Lock | 1704 | 36AX14 | Washer, Lower Crankcase & Gear Cover Screw | 0107 | 36AX3 |
| Washer, Hood Hinge Bracket Screw Nut | 1704 | 36AX1 | Washer, Lower Crankcase & Slinger Housing Lower | 0107 | 36AX3 |
| Washer, Hood Latch Clip Front Bolt | 1704 | 36AX2 | Washer, Main Oil Line Plug | 0101 | 35AX272 |
| Washer, Hood Latch Clip Mounting Screw | 1704 | 36AX14 | Washer, Master Cylinder to Front Brake Tube Clamp | 1209 | 36AX14 |
| Washer, Hood Latch Clip Mounting Screw Nut Plain | 1704 | 37AX39 | Washer, Master Cylinder to Front Brake Tube Connection Tee Screw | 1209 | 39AX22 |
| Washer, Hood Latch Clip Rear Bolt | 1704 | 36AX2 | Washer, Master Cylinder Piston Stop | 1205 | 10EHW3 |
| Washer, Hood Ledge Screw | 1704 | 36AX14 | Washer, Mounting Bracket Nut Lock | 0603 | 106497 |
| Washer, Hood Lock Rod Eye Bolt Nut | 1704 | 36AX3 | Washer, Muffler & Pipe Hanger Clamp Bolt | 0401 | 36AX3 |
| Washer, Hood Lock Rod Wing Nut | 1704 | 36AX3 | Washer, Oil Filter & Cylinder Stud | 0107 | 36AX5 |
| Washer, Hood Lock Rod Wing Nut | 1704 | 37AX166 | Washer, Oil Gauge Lock | 0605 | 15EH313-27 |
| Washer, Hood Louvre Panel Knob | 1704 | 36AX14 | Washer, Oil Pump Driving Shaft Thrust | 0107 | 702GC17 |
| Washer, Hood Mounting Bolt | 1704 | 37AX382 | Washer, Oil Slinger Housing (Lower) & Crankcase Screw | 0102 | 37AX2 |
| Washer, Hood Name Plate Lock | 1704 | 36AX14 | Washer, Pinion Housing Cover Felt | 1103 | 41AX236 |
| Washer, Hood Name Plate Screw Nut | 1704 | 36AX4 | Washer, Pinion Housing Cover Oil Seal | 1103 | 37AX315 |
| Washer, Hood Support Bracket Mounting Bolt | 1704 | 36AX3 | Washer, Piston Plate Retaining | 1210 | BK-10886 |
| Washer, Hood Support Gusset Bolt Nut | 1704 | 36AX3 | Washer, Quarter Rear Fender & Bracket Bolt | 1701 | 36AX1 |
| Washers, Horn Mounting | 1609 | 5EH132-7 | Washer, Radiator Division Panel | 0501 | 36AX1 |
| Washer, Idle Tube | 0301 | P22713 | Washers, Radiator Grille | 0501 | 36AX14 |
| | | | Washer, Radiator Mounting Support | 0504 | 37AX172 |

ALPHABETICAL INDEX

| Description | QMC Group | Part. No. | Description | QMC Group | Part. No. |
|--|--------------|-----------|---|--------------|-----------|
| Washers, Radiator Shell | 0501 | 37AX81 | Washer, Rear Mounted | | |
| Washer, Radiator Shield | | | Air Reservoir Support | | |
| Bolt | 0501 | 36AX3 | Angle Screw | 1213 | 36AX3 |
| Washer, Radiator Support Cross Member | | | Washer, Rear Spring | | |
| Mounting Bolt | 0504 | 36AX3 | Clip Spacer Bolt Nut | 1602 | 36AX5 |
| Washer, Radiator Support Cross Member | | | Washer, Rear Spring | | |
| Mounting Bolt | 0504 | 36AX5 | Front Bracket Cup Bolt | 1503 | 36AX4 |
| Washer, Radiator Tie | | | Washer, Rear View | | |
| Rod Lock Nut | 0504 | 36AX3 | Mirror Mounting Screw | 2201 | 35AX323 |
| Washer, Radiator Tie | | | Washer, Rear Wheel Cylinder Bleeder Screw | | |
| Rod "U" Bolt | 0504 | 36AX1 | Plug | 1207 | 36AX1 |
| Washer, Rear Axle Bumper Spacer Screw Nut | 1602 | 36AX2 | Washer, Rear Wheel Oil Seal | 1301 | 35AX707 |
| Washer, Rear Axle Shaft Flange Stud | 1102 | 36AX6 | Washer, Rear Wheel Oil Seal Drip | 1301 | 11EH114 |
| Washer, Rear Brake Cam Shaft | 1203 | 37AX275 | Washer, Regulator Contact Attaching Screw | | |
| Washer, Rear Brake Cam Shaft Bracket Bolt | 1203 | 36AX7 | Insulation | 0601 | 1878018 |
| Washer, Rear Brake Chamber Pressure Plate Bolt | 1213 | 201318 | Washer, Relay Valve Diaphragm | 1213 | 202696 |
| Washer, Rear Brake Chamber Stud | 1213 | 203173 | Washer, Relay Valve Mounting Screw | 1213 | 36AX3 |
| Washer, Rear Brake Conn. Tube Clamp Screw | 1209 | 36AX3 | Washer, Reverse Gear Thrust | 0704 | 233KD12 |
| Washer, Rear Brake Cylinder Spacer Screw | 1207 | 36AX3 | Washer, Rubber | 0608 | CB9161 |
| Washer, Rear Brake Drum Screw | 1302 | 36AX5 | Washer, Running Board Apron Mounting Bolt | 1702 | 36AX1 |
| Washer, Rear Brake Flexible Hose & Tube Connection Tee Screw | 1209 | 37AX183 | Washer, Running Board Filler Mounting Screw | 1703 | 36AX1 |
| Washer, Rear Brake Flexible Hose & Tube Connection Tee Screw | 1209 | 36AX3 | Washer, Running Board Filler Mounting Screw Lock | 1703 | 36AX1 |
| Washer, Rear Brake Shoe Adjusting Cam Pin | 1203 | 58QD11 | Washer, Running Board Filler Mounting Screw Lock | 1703 | 36AX5 |
| Washer, Rear Brake Shoe Anchor Pin "C" | 1203 | 12EM12 | Washer, Running Board Filler Mounting Screw Plain | 1703 | 37AX230 |
| Washer, Rear Brake Shoe Anchor Pin Lock | 1203 | 36AX10 | Washer, Running Board & Hanger Bolt | 1703 | 36AX1 |
| Washer, Rear Brake Shoe Anchor Pin Nut | 1203 | 36AX10 | Washer, Running Board Mounting Bolt | 1703 | 36AX3 |
| Washer, Rear Brake Shoe Guide Pin | 1203 | 37AX380 | Washer, Running Board Spacer Mounting Bolt Lock | 1703 | 36AX22 |
| Washer, Rear Brake Shoe Guide Pin "C" | 1203 | 15QD11 | Washer, Running Board Support Bolt | 1504 | 36AX3 |
| Washer, Rear Brake Tube & Hose Bracket Screw | 1209 | 36AX3 | Washer, Seat Cushion Dowel Rivet | 1804 | 37AX39 |
| Washer, Rear Brake Tube & Hose Connection | 1209 | 36AX52 | Washer, Shaft Nut Lock | 0601 | 141612 |
| Washer, Rear Brake Unit to Axle Flange Bolt | 1208 | 36AX7 | Washer, Shell & Grille | 0501 | 37AX81 |
| | | | Washer, Shifter Lever Spring | 0706 | 237KD12 |
| | | | Washers, Shim | 0603 | 810074 |
| | | | Washer, Side Mounted Air Reservoir Mounting Screw | 1213 | 36AX3 |

ALPHABETICAL INDEX

| Description | QMC Group | Part. No. | Description | QMC Group | Part. No. |
|---|-----------|-----------|--|-----------|-----------|
| Washers, Space | 0602 | 833602 | Wedge, Terminal Stud | 0602 | 810824 |
| Washer, Space | 0601 | 1845626 | Weight | 0603 | 820528 |
| Washer, Space | 0603 | 811912 | Weight, Governor | 0305 | G3034 |
| Washer, Spacer | 1507 | 36AX7 | Welt, Fender | 1701 | 22QM13 |
| Washer, Speedometer | | | Wheel Assembly, Fifth | 1RF33 | 1RF33 |
| Flexible Shaft Clamp | 2203 | 36AX3 | Wheel, Front Slack Adjusting Worm | 1203 | 27QD13 |
| Washer, Spur Pinion | | | Wheel, Front Steel | 1301 | 2QJ311A |
| Bearing Cover Screw | 1103 | 36AX5 | Wheel, Rear Steel | 1301 | 8QJ320A |
| Washer, Spur Pinion | | | Wheel, Steering | 1404 | 12QC41P2 |
| Bearing Cover Screw | 1103 | 36AX6 | Wick, Felt | 0601 | 29047 |
| Washers, Steel | 0902 | 9CLS5 | Wick, Felt | 0603 | 816803 |
| Washer, Steering Gear | | | Wick, Oil | 0602 | 502691 |
| Adjusting Screw Nut | 1403 | 37AX38 | Windshield Assemblies | 1801 | 1QTA22P3 |
| Washer, Steering Gear | | | Wiper, Piston Rod Felt | 1210 | BK11704 |
| Frame Bracket & Cap Screw | 1405 | 36AX7 | Wiper Assembly, Windshield | 1801 | 33QTA213 |
| Washer, Steering | | | Wire, Ammeter to Magneto Switch | 0606 | 191AX10 |
| Knuckle Pin Screw Lock | 1007 | 36AX3 | Wire Assembly (Complete) | 0607 | CB7830 |
| Washer, Steering Post | | | Wire Assembly, Ignition | 0604 | 19MR22 |
| Bracket Mounting Bolt | 1405 | 36AX2 | Wire Assembly, Ignition | 0604 | 17MR23 |
| Washer, Stoplight Switch | 0606 | 203058 | Wire, Camshaft Gear Screw Lock | 0106 | 1BC1120 |
| Washer, Stop Light Switch | 1211 | 36AX14 | Wire, Coil to Distributor | 0604 | 223AX19 |
| Washer, Stop & Tail Lamp Bracket Bolt | 0608 | 36AX2 | Wire, Coil to Distributor | 0604 | 224AX33 |
| Washer, Terminal Stud Insulation | 0601 | 1872459 | Wire Complete, Horn Button | 0609 | 39MR18P1 |
| Washer, Terminal Screw Lock | 0603 | 121841 | Wire, Compressor Connecting Rod Wrist Pin Bushing Lock | 1213 | 202990 |
| Washer, Terminal Stud Lock | 0601 | 802760 | Wire, Compressor Drive Housing Screw Lock | 0112 | 1BC1169 |
| Washer, Terminal Stud Plain | 0601 | 834560 | Wire, Compressor Flange Screw Lock | 1213 | 6AB117 |
| Washers, Third & Fourth Speed Gear Thrust | 0704 | 223KD11 | Wire, Rod Screw Lock Connecting | 0104 | 6AL176 |
| Washer, Thru Bolt Lock | 0602 | 103319 | Wire, Horn | 0606 | 213AX60 |
| Washer, Thru Bolt Lock | 0601 | 108579 | Wire, Horn Tracer | 0609 | 134AX58 |
| Washers, Toe Board | 1802 | 36AX1 | Wire, Horn Tracer | 0609 | 134AX60 |
| Washer, Tool Box Screw | 1806 | 36AX1 | Wire, Low Tension | 0604 | 229AX27 |
| Washer, Tropic Air Flange Cover Screw | 0101 | 36AX3 | Wire, Low Tension | 0604 | 229AX21 |
| Washers, Vacuum Booster Mounting Bracket Bolt | 1210 | 36AX3 | Wire, Magnetic Starter to Push Button | 0606 | 191AX123 |
| Washer, Valve Lifter Bracket Screw | 0105 | 36AX5 | Wire, Magnetic Starter Switch | 0606 | 174AX59 |
| Washers, Valve Spring | 0105 | 1BG1370 | Wire, Main Bearing Cap Screw Lock | 0102 | 1AB1353 |
| Washers, Water Pump | 0503 | 36AX1 | Wire, Master Cylinder Piston Stop | 1205 | 10EHW4 |
| Washer, Weight | 0603 | 811124 | Wire, Oil Pump Housing Cover Screw Lock | 0107 | 5AB1412 |
| Washers, Windshield | 1801 | 36AX1 | Wire, Oil Pump Housing Cover Screw Lock | 0107 | 6AX176 |
| Washer, Wire Clamp Screw | 0606 | 37AX39 | Wire, Oil Pump Housing & Cylinder Screw Lock | 0107 | 1AB1353 |
| Weatherstripping, Cab Door | 1805 | 35RU13 | Wire, Piston Rod Guard | 1210 | BK-11454 |
| Weatherstripping, Windshield | 1801 | 15EH2123 | | | |

ALPHABETICAL INDEX

| Description | QMC Group | Part. No. | Description | QMC Group | Part. No. |
|---|--------------|--------------|------------------------------------|--------------|-----------|
| Wire, Rear Brake Slack Adjuster Lock | 1203 | 97AX12 | Yoke | 1507 | 16ST379-2 |
| Wire, Spark Plug | 0604 | 224AX17 | Yoke, Booster Valve Operating Rod | 1211 | BK-18051 |
| Worm, Front Slack Adjuster | 1203 | 26QD13 | Yoke, Clutch Throwout | 0203 | 301KD22 |
| Worm, Rear Brake Slack Adjuster | 1203 | 26QD15 | Yoke, Flange | 0902 | 9BGS35 |
| Worm Shaft & Spider Nut Assembly, Steering Gear | 1403 | 18KFA251-P1 | Yoke, Flange | 0902 | 483SJ15 |
| Worm Shaft & Spider Nut Assembly, Steering Gear | 1403 | 18KFAC251-P5 | Yoke, Front Brake Chamber Push Rod | 1213 | 205948 |
| Worms, Speedometer Drive | 0705 | 291KD163 | Yoke, Governor Rocker Shaft | 0305 | G2807 |
| Wrenches | 2306 | 25RC26 | Yoke, Rear Brake Chamber Push Rod | 1213 | 84AX24 |
| | | | Yoke Assembly, Rear Wheel Cylinder | 1207 | 11EHW22 |
| | | | Yoke Assembly, Sleeve | 0902 | 9CLS1A |
| | | | Yoke Assembly, Sleeve | 0902 | 9BGS50 |

Mack

TRUCKS • FIRE APPARATUS
MARINE ENGINES • BUSES

Finest Built