

TECHNICAL MANUAL

**OPERATOR'S, ORGANIZATIONAL, DIRECT SUPPORT, AND GENERAL
SUPPORT MAINTENANCE MANUAL INCLUDING REPAIR PARTS AND
SPECIAL TOOLS LISTS (INCLUDING DEPOT MAINTENANCE
REPAIR PARTS AND SPECIAL TOOLS)**

**MULTIPLEXER
SET
AN/FCC-18**



**OPERATOR'S, ORGANIZATIONAL, DIRECT SUPPORT AND GENERAL
SUPPORT MAINTENANCE MANUAL INCLUDING REPAIR PARTS AND**

SPECIAL TOOLS LISTS (INCLUDING DEPOT MAINTENANCE

REPAIR PARTS AND SPECIAL TOOLS)

MULTIPLEXER SET AN/FCC18

Current as of 25 September 1973

ParagraphPage			
SECTION I	Introduction		
	Scope	1	iii
	General.....	2	iii
	Explanation of columns.....	3	iii
	Special information	4	v
	Location of repair parts	5	v
	Federal supply code for manufacturers	6	v
	Reporting of equipment manual improvements	7	vi
	Repair parts for organizational, direct support, general support, and depot maintenance		
225A.	Channel alarm assembly, 5492594G3.....		225-1
225B.	Channel alarm assembly, 5492594G3		225-2
226A.	Channel alarm assembly, 5492594G4.....		226-1
226B.	Channel alarm assembly, 5492594G4		226-2
227A.	Supergroup receiver unit assembly, 19C301318G3.....		227-1
227B.	Supergroup receiver unit assembly, 19C301318G3		227-2
228A.	Supergroup receiver unit assembly, 19C301318G4		228-1
228B.	Supergroup receiver unit assembly, 19C301318G4		228-2
229A.	Supergroup send unit assembly, 19C301319G3		229-1
229B.	Supergroup send unit assembly, 19C301319G3.....		229-2
230A.	Supergroup send unit assembly, 19C301319G4		230-1
230B.	Supergroup send unit assembly, 19C301319G4.....		230-2
231A.	Supergroup harmonic generator assembly, 19C301505G1		231-1
231B.	Supergroup harmonic generator assembly, 19C301505G1.....		231-2
232A.	Supergroup carrier selector unit assembly, 19C301513G1		232-1
232B.	Supergroup carrier selector unit assembly, 19C301513G1		232-2
233A.	Supergroup carrier selector unit assembly, 19C301513G2		233-1
233B.	Supergroup carrier selector unit assembly, 19C301513G2		233-2
	Special tools, test, and support equipment for organizational, direct support, general support and depot maintenance (NOT APPLICABLE)		
234.	Illustrations		234-1
234.1	Federal stock number and reference number index		234.1-1

LIST OF ILLUSTRATIONS

Number	Title	Page
1	Right channel alarm assembly.....	234-1
2	Left channel alarm assembly	234-2
3	Supergroup receiver unit assembly	234-3
4	Supergroup amplifier assembly	234-4
5	Supergroup modulator/demodulator assembly 19B200691G6	234-5
6	Supergroup send unit assembly.....	234-6
7	Supergroup modulator/demodulator assembly 19B200691G5	234-7
8	Supergroup harmonic generator assembly - 234-8	
9	Selector amplifier assembly.....	234-9
10	Supergroup carrier selector unit assembly	234-10
11	Supergroup carrier amplifier assembly	234-11

**SECTION I
INTRODUCTION**

1. Scope

This manual lists repair parts and special tools required for the performance of organizational, direct support, general support, and depot maintenance of the AN/FCC-18(V).

2. General

This repair parts list is divided into the following sections:

a. *Repair Parts for Organizational Maintenance.* A list of repair parts authorized for the performance of maintenance at the organizational level.

b. *Repair Parts for Direct Support, General Support, and Depot Maintenance.* A list of repair parts authorized for the performance of maintenance at the direct support, general support, and depot level.

c. *Index-Federal Stock Number and Reference Number Cross-Reference to Figure and Item Number or Reference Designation.* A list of Federal stock numbers in ascending numerical sequence, followed by a list of reference numbers appearing in ascending alpha-numeric sequence, cross-referenced to the illustration figure number and item number.

3. Explanation of Columns

The following provides an explanation of columns in the tabular lists:

a. *Source, Maintenance, and Recoverability Codes (SMR).*

(1) Source code indicates the selection status and source for the listed item. Source codes are:

<i>Code</i>	<i>Explanation</i>
P-	Repair parts which are stocked in or supplied from the GSA/DSA, or Army supply system and authorized for use at indicated maintenance categories.
P2-	Repair parts which are procured and stocked for insurance purposes because the combat or military essentiality of the end item dictates that a minimum quantity be available in the supply system.

Code	Explanation
P9-	Assigned to items which are NSA design controlled: unique repair parts, special tools, test, measuring and diagnostic equipment, which are stocked and supplied by the Army COMSEC logistic system, and which are not subject to the provisions of AR 380-41.
P10-	Assigned to items which are NSA design controlled: special tools, test, measuring and diagnostic equipment for COMSEC support, which are accountable under the provisions of AR 380-41, and which are stocked and supplied by the Army COMSEC logistic system.
M-	Repair parts which are not procured or stocked, but are to be manufactured in indicated maintenance levels.
A-	Assemblies which are not procured or stocked as such, but are made up of two or more units. Such component units carry individual stock numbers and descriptions, are procured and stocked separately, and can be assembled to form the required assembly at indicated maintenance categories.
X-	Parts and assemblies which are not procured or stocked and the mortality of which normally is below that of the applicable end item or component. The failure of such part or assembly should result in retirement of the end item from the supply system.
X1-	Repair parts which are not procured or stocked. The requirement for such items will be filled by use of the next higher assembly or component.
X2-	Repair parts which are not stocked. The indicated maintenance category requiring such repair parts will attempt to obtain same through cannibalization. Where such repair parts are not obtainable through cannibalization, requirements will be requisitioned, with accompanying justification, through normal supply channels.

Code Explanation
 G- Major assemblies that are procured with PEMA funds for initial issue only as exchange assemblies at DSU and GSU level. These assemblies will not be stocked above DS and GS level or returned to depot supply level.

(2) Maintenance code indicates the lowest category of maintenance authorized to install the listed item. The maintenance codes are:

Code Explanation
 C..... Operator/Crew
 O..... Organizational maintenance
 F..... Direct support maintenance
 H..... General support maintenance
 D..... Depot maintenance

(3) Recoverability code indicates whether unserviceable items should be returned for recovery or salvage. Items not coded are expendable. Recoverability codes are:

Code Explanation
 R- Repair parts and assemblies that are economically repairable at DSU and GSU activities and normally are furnished by supply on an exchange basis.
 S- Repair parts and assemblies which are economically repairable at DSU and GSU activities and which normally are furnished by supply on an exchange basis. When items are determined by a GSU to be uneconomically repairable, they will be evacuated to a depot for evaluation and analysis before final disposition.
 T- High dollar value recoverable repair parts which are subject to special handling and are issued on an exchange basis. Such repair parts normally are repaired or overhauled at depot maintenance activities.
 U- Repair parts specifically selected for salvage by reclamation units because of precious metal content, critical materials, or high dollar value reusable casings or castings.

b. Federal Stock Number. Indicates the Federal stock number assigned to the item and will be used for requisitioning purposes.

c. *Description*. Indicates the Federal item name and any additional description of the item required. Where applicable the reference designation, in parentheses, is annotated following iv

the Federal item name. A part number or other reference number is followed by the applicable five-digit Federal supply code for manufacturers in parentheses.

d. *Unit of Measure (U/M)*. A two character alphabetic abbreviation indicating the amount or quantity of the item upon which the allowances are based, e.g., ft, ea, pr, etc.

e. *Quantity Incorporated in Unit*. Indicates the quantity of the item used in the AN/FCC-18. Subsequent appearances of the same item in the same assembly are indicated by the letters "REF." \

f. *15-Day Organizational Maintenance Allowances*.

(1) The repair parts indicated by an asterisk in the allowance columns represent those authorized for use at the organizational category and will be requisitioned on an "as required" basis until stockage is based on demand in accordance with AR 710-2.

(2) Major Army commanders are authorized to approve reduction in range of support items authorized for use in units within their commands. Recommendation for increase in range of items authorized for use will be forwarded to the Commander, US Army Electronic Command, ATTN: AMSEL-MA-CT, Fort Monmouth, NJ 07703. Any changes approved will be reflected in a revision to the RPSTL.

g. *30-Day DS/GS Maintenance Allowances*.

NOTE

Allowances in GS Column are for GS Maintenance only.

The repair parts indicated by asterisk entries in separate allowance columns for DS and GS represent those authorized for use at that category of maintenance to be requisitioned on an "as required" basis.

h. *1-Year Allowance Per Equipments/Contingency Planning Purposes*. Column intentionally left blank.

i. *Depot Maintenance Allowance Per 100 Equipments*. This column indicates that the items identified with an asterisk are authorized to be requisitioned as required.

j. *Illustrations*.

(1) Figure number. indicates the figure number of the illustration in which the item is shown.

(2) Item number or reference designation.

X Indicates the callout number used to identify the item on the illustration.

4. Reference Publications

The following publications pertain to the AN/FCC-18(V) and its components:

- TM 11-5805368-14/7 Operator, Organizational, Direct Support, and General Support Maintenance Manual Including Repair Parts and Special Tools Lists for Multiplexer Set AN/FCC-18(V).
- TM 11-5805-368-14/2 Operator, Organizational, Direct Support, and General Support Maintenance Manual Including Repair Parts and Special Tools Lists for Multiplexer Set AN/FCC-18(V).
- TM 11-5805-368-14/3 Operator, Organizational, Direct Support, and General Support Maintenance Manual Including Repair Parts and Special Tools Lists for Multiplexer Set AN/FCC-18(V).
- TM 11-5805368-14/4 Operator, Organizational, Direct Support, and General Support Maintenance Manual Including Repair Parts and Special Tools Lists for Multiplexer Set AN/FCC-18(V).
- TM 11-5805-368-14/5 Operator, Organizational, Direct Support, and General Support Maintenance Manual Including Repair Parts and Special Tools Lists for Multiplexer Set AN/FCC-18(V).
- TM 11-5805-368-14/6 Operator, Organizational, Direct Support, and General Support Maintenance Manual Including Repair Parts and Special Tools Lists for Multiplexer Set AN/FCC-18(V).

- (1) First. Using the table of contents, determine the component, assembly, or subassembly within which the repair part belongs. This is necessary since illustrations are prepared for components, assemblies, and subassemblies, and listings are divided into the same groups.
 - (2) Second. Find the illustration covering the assembly or subassembly to which the repair part belongs.
 - (3) Third. Identify the repair part on the illustration and note the illustration figure and item number of the repair part.
 - (4) Fourth. Using the Repair Parts Listing, find the assembly or subassembly to which the repair part belongs and locate the illustration figure and item number noted on the illustration.
- b. When Federal stock Number or reference number is known:
- (1) First. Using the Index of Federal Stock Numbers and Reference Numbers find the pertinent Federal stock number or reference number. This index is in ascending FSN sequence followed by a list of reference numbers in ascending alphanumeric sequence, cross-referenced to the illustration figure number and item number.
 - (2) Second. Using the Repair Parts Listing, find the assembly or subassembly of the repair part and the illustration figure number and item number referenced in the Index of Federal Stock Numbers and Reference Numbers.

5. How to Locate Repair Parts

a. When Federal stock number or reference number is unknown:

6. Federal Supply Codes

Code	Manufacturer
01295	Texas Instruments Inc.
02660	Amphenol Corp.
02768	Illinois Tool Works, Inc. Fastex Division
03508	General Electric Co. Semiconductor Products Dept.
03603	Lansdale Products Corp.
06978	Aladdin Electronics Division Aladdin Industries, Inc.
08771	General Electric Co. Communication Products Dept.
09922	Burndy Corp.
13715	Fairchild Camera and Instrument Corp. Semiconductor Division

Code	Manufacturer	Code
14099	Semtech Corp.	
18915	Birtcher Corp. Industrial Division	
46384	Penn Engineering & Mfg. Corp.	
59730	Thomas & Betts Co.	
72619	Dialight Corp.	
74970	E. F. Johnson Co.	
75915	Littelfuse Inc.	
78553	Tinnerman Products Inc.	
79963	Zierick Mfg.	
80131	Electronic Industries Association	
81349	Military Specifications	
83330	Herman H.	
84411	TRW, Capacitor Division Ogallala, Nebraska 69153	

Manufacturer
91459 Alcon Metal Products, Inc.
95264 Lerco Electronics Corp.
99800 Delavan Electronics Corp.

7. Reporting of Equipment Publication Improvements

The reporting of errors, omissions, and recommendations for improving this manual by the Co. individual user is encouraged. Reports should be submitted on Form 2028 (Recommended Changes to Publications) and forwarded direct Smith, Inc. to Commander, US Army Electronics Command, ATTN: AMSEL-MA-C, Fort Monmouth, NJ 07703.

**SECTION 225A. CHANNEL ALARM ASSEMBLY, 549259G3
REPAIR PARTS FOR ORGANIZATIONAL MAINTENANCE**

(1) SMR CODE	(2) FEDERAL STOCK NUMBER	(3) DESCRIPTION <i>Reference Number & Mfr. Code</i> <i>Usable On Code</i>		(4) UNIT OF MEAS	(5) QTY INC IN UNIT	(6) 15-DAY ORG MAINT ALLOWANCE				(7) ILLUSTRATION	
						(a) 1-5	(b) 6-20	(c) 21-50	(d) 51-100	(a) FIGURE NO.	(b) ITEM NO.
PO	5820-907-2189 6240-944-4724	ALARM ASSEMBLY, CHANNEL LAMP (I7 TO I12)		EA	6	*	*	*	*	1	1

SECTION 225B.

REPAIR PARTS FOR DIRECT SUPPORT, GENERAL SUPPORT, AND DEPOT MAINTENANCE

(1) SMR CODE	(2) FEDERAL STOCK NUMBER	(3) DESCRIPTION <i>Reference Number & Mfr Code Usable On Code</i>	(4) UNIT OF MEAS	(5) QTY INC IN UNIT	(6) 30 DAYS DS MAINT ALLOWANCE			(7) 30 DAYS GS MAINT ALLOWANCE			(8) 1-YR ALW PER 100 EQUIP CNTGCY	(9) DEPOT MAINT ALW PER 100 EQUIP	(10) ILLUSTRATION	
					(a)	(b)	(c)	(a)	(b)	(c)			(a) FIGURE NO.	(b) ITEM NO.
					1-20	21-50	51-100	1-20	21-50	51-100				
P F S	5820-907-2189	ALARM ASSEMBLY, CHANNEL: 492594G3 (08771)	EA	1	*	*	*	*	*	*		*	1	
P O	6240-944-4724	LAMP:(I7 to I12) 507-3841-1535-600 (72619)	EA	6	*	*	*	*	*	*		*	1	1
P H	6210-952-1818	LAMPHOLDER: (XI7 to xn2) 7538 CLEAR (72619)	EA	6				*	*	*		*	1	2
X2 H	5310-957-8991	NUT, KNURLED: 2708-508-7538-00 (72619)	EA	6									1	3
X2 H	5310-957-8992	NUT, KNURLED: 5808-000-0012-04 (72619)	EA	6									1	4
X2 H		NUT, HEX PLAIN: 4901-000-0012-01 (72619)	EA	6									1	5
P H	5961-995-1069	SEMICONDUCTOR: (CR1 thru CR12) 1N1695 (81349)	EA	12				*	*	*		*	1	6
P F	5920-902-8530	FUSE: 0.1 ampere, 125 volts (F1 to F6) 272-100 (75915)	EA	6	*	*	*	*	*	*		*	1	7
P H	5920-973-8204	FUSEHOLDER: (XF1 to XF6) 281001 (75915)	EA	6				*	*	*		*	1	8
P H	5905-451-7522	RESISTOR, FIXED, METAL FILM: 51,100 ohms i2%, 1/2 watt (R1, R2, R4, R5, R7, R8, R10, R11, R13, R14, R16, R17) RNC6oH5112FS (81349)	EA	12				*	*	*		*	1	9
P H	5905-471-4440	RESISTOR, FIXED, METAL FILM: 34.8k ohms :2%, 1/2 watt (R3, R6, R9, R12, R15, R18) ENC60H3482FS (81349)	EA	6				*	*	*		*	1	10

SECTION 225B.

REPAIR PARTS FOR DIRECT SUPPORT, GENERAL SUPPORT, AND DEPOT MAINTENANCE

(1) SMR CODE	(2) FEDERAL STOCK NUMBER	(3) DESCRIPTION <i>Reference Number & Mfr Code Usable On Code</i>	(4) UNIT OF MEAS	(5) QTY INC IN UNIT	(6) 30 DAYS DS MAINT ALLOWANCE			(7) 30 DAYS GS MAINT ALLOWANCE			(8) 1-YR ALW PER 100 EQUIP CNTGCV	(9) DEPOT MAINT ALW PER 100 EQUIP	(10) ILLUSTRATION	
					(a)	(b)	(c)	(a)	(b)	(c)			(a) FIGURE NO.	(b) ITEM NO.
					1-20	21-50	51-100	1-20	21-50	51-100				
X2 H	5975-964-1755	TERMINAL STUD: 8078A (95264)	EA	4									1	11
X2 H	5999-086-4652	BOARD, PRINTED WIRING: 5496056P1 (08771)	EA	1									1	12
X2 H		STUD, FRICTION CATCH: P101-499-24B (78553)	EA	4									1	13
X2 H		PANEL: 5492520PI (08771)	EA	1									1	14
M H		PLATE, IDENT ALUM FOIL: (MP20) NP249156 (08771)	EA	1									1	15
X2 H		PLATE, FRONT: 5492521P4 (08771)	EA	1									1	16

**SECTION 226A. CHANNEL ALARM ASSEMBLY, 549259G3
REPAIR PARTS FOR ORGANIZATIONAL MAINTENANCE**

(1) SMR CODE	(2) FEDERAL STOCK NUMBER	(3) DESCRIPTION <i>Reference Number & Mfr. Code Usable On Code</i>		(4) UNIT OF MEAS	(5) QTY INC IN UNIT	(6) 15-DAY ORG MAINT ALLOWANCE				(7) ILLUSTRATION	
						(a) 1-5	(b) 6-20	(c) 21-50	(d) 51-100	(a) FIGURE NO.	(b) ITEM NO.
P 0	5820-907-2192	ALARM ASSEMBLY, CHANNEL 5492594G4 (08771)		EA	6	*	*	*	*	2	1
	6240-944-4724	LAMP (I to I6) 507-3841-1535-600 (72619)									

SECTION 226B.

REPAIR PARTS FOR DIRECT SUPPORT, GENERAL SUPPORT, AND DEPOT MAINTENANCE

(1) SMR CODE	(2) FEDERAL STOCK NUMBER	(3) DESCRIPTION <i>Reference Number & Mfr Code Usable On Code</i>	(4) UNIT OF MEAS	(5) QTY INC IN UNIT	(6) 30 DAYS DS MAINT ALLOWANCE			(7) 30 DAYS GS MAINT ALLOWANCE			(8) 1-YR ALW PER 100 EQUIP CNTGCV	(9) DEPOT MAINT ALW PER 100 EQUIP	(10) ILLUSTRATION	
					(a) 1-20	(b) 21-50	(c) 51-100	(a) 1-20	(b) 21-50	(c) 51-100			(a) FIGURE NO.	(b) ITEM NO.
					P F S	5820-907-2192	ALARM ASSEMBLY, CHANNEL: 5492594G4 (08771)	EA	1	*			*	*
P O	6240-944-4724	LAMP: (11n to 16) 507-3841-1535-600 (72619)	EA	6	*	*	*	*	*	*	*	2	1	
P H	6210-952-1818	LAMPHOLDER: (Xii1to XI6) 7538 CLEAR (72619)	EA	6				*	*	*	*	2	2	
X2 H	5310-957-8991	NUT, KNURLED: 2708-508-7538-00 (72619)	EA	6								2	3	
X2 H	5310-957-8992	NUT, KNURLED: 5808-000-0012-04 (72619)	EA	6								2	4	
X2 H		NUT, HEX PLAIN: 4901-000-0012-01 (72619)	EA	6								2	5	
P H	5961-995-1069	SEMICONDUCTOR:(CR1 thru CR12) 1N1695 (81349)	EA	12				*	*	*	*	2	6	
P F	5920-902-8530	FUSE: 0.1 ampere, 125 volts (F1 to F6) 272-100 (75915)	EA	6	*	*	*	*	*	*	*	2	7	
P H	5920-973-8204	FUSEHOLDER: (XF1 to XF6) 281001 (75915)	EA	6				*	*	*	*	2	8	
P H	5905-451-7522	RESISTOR, FIXED, METAL FILM: 51,100 ohms +2%, 1/2 watt (R1, R2, R4, R5, R7, R8, R10, R11 R13, R14, R16, R17) RNC60H511"2FS (81349)	EA	12				*	*	*	*	2	9	

SECTION 226B.

REPAIR PARTS FOR DIRECT SUPPORT, GENERAL SUPPORT, AND DEPOT MAINTENANCE

(1) SMR CODE	(2) FEDERAL STOCK NUMBER	(3) DESCRIPTION <i>Reference Number & Mfr Code Usable On Code</i>	(4) UNIT OF MEAS	(5) QTY INC IN UNIT	(6) 30 DAYS DS MAINT ALLOWANCE			(7) 30 DAYS GS MAINT ALLOWANCE			(8) 1-YR ALW PER 100 EQUIP CNTGCTY	(9) DEPOT MAINT ALW PER 100 EQUIP	(10) ILLUSTRATION	
					(a) 1-20	(b) 21-50	(c) 51-100	(a) 1-20	(b) 21-50	(c) 51-100			(a) FIGURE NO.	(b) ITEM NO.
P H	5905-471-4440	RESISTOR, FIXED, METAL FILM: 34.8k ohms +2%, 1/2 watt (R3, R6, R9, R12, R15, R18) RNC6003482FS (81349)	EA	6				*	*	*		*	2	10
X2 H	5975-964-1755	TERMINAL STUD: 8078A (95264)	EA	4									2	11
X2 H	5999-086-4652	BOARD, PRINTED WIRING: 5496056P1 (08771)	EA	1									2	12
X2 H		STUD, FRICTION CATCH: P101-499-24B (78553)	EA	4									2	13
X2 H		PANEL: 5492520P1 (08771)	EA	1									2	14
M H		PLATE, IDENT ALUM FOIL: (MP20) NP249156 (08771)	EA	1									2	15
X2 H		PLATE, FRONT: 5492521P1 (08771)	EA	1									2	16

SECTION 227A. SUPERGROUP RECEIVER UNIT ASSEMBLY, 19C301318G3.
 REPAIR PARTS FOR ORGANIZATIONAL MAINTENANCE

(1) SMR CODE	(2) FEDERAL STOCK NUMBER	(3) DESCRIPTION <i>Reference Number & Mfr. Code Usable On Code</i>	(4) UNIT OF MEAS	(5) QTY INC IN UNIT	(6) 15-DAY ORG MAINT ALLOWANCE				(7) ILLUSTRATION	
					(a) 1-5	(b) 6-20	(c) 21-50	(d) 51-100	(a) FIGURE NO.	(b) ITEM NO.
P O	5805-198-2914 6240-944-4724	SUPERGROUP RECEIVER UNIT ASSEMBLY 564-804 KHz 19C301318G3 (08771) LAMP (11) 38AS13-1535 (72619)	EA	1	*	*	*	*	4	3

SECTION 227B.

REPAIR PARTS FOR DIRECT SUPPORT, GENERAL SUPPORT, AND DEPOT MAINTENANCE

(1) SMR CODE	(2) FEDERAL STOCK NUMBER	(3) DESCRIPTION <i>Reference Number & Mfr Code Usable On Code</i>	(4) UNIT OF MEAS	(5) QTY INC IN UNIT	(6) 30 DAYS DS MAINT ALLOWANCE			(7) 30 DAYS GS MAINT ALLOWANCE			(8) 1-YR ALW PER 100 EQUIP CNTGCV	(9) DEPOT MAINT ALW PER 100 EQUIP	(10) ILLUSTRATION	
					(a)	(b)	(c)	(a)	(b)	(c)			(a) FIGURE NO.	(b) ITEM NO.
					1-20	21-50	51-100	1-20	21-50	51-100				
P F S	5805-198-2914	SUPERGROUP RECEIVER UNIT ASSEMBLY: 564-804 kHz 19C301318G3 (08771)	EA	1	*	*	*	*	*	*	*		3	
P F S	5895-999-1641	SUPERGROUP AMPLIFIER ASSEMBLY: 5496248G2 (08771)	EA	1	*	*	*	*	*	*	*		3	1
P F S	5820-994-5084	SUPERGROUP AMPLIFIER ASSEMBLY: 5496248G1 (08771)	EA	1	*	*	*	*	*	*	*		3	2
A H S	RECEIVE FRAME	AND BOARD ASSEMBLY: 19C301320G1 (08771)	EA	1									3	3
P H	5935-926-2944	CONNECTOR, PW: (J100, J101) M21097-1-055 (81349)	EA	2				*	*	*	*		3	4
P H	5950-088-8600	TRANSFORMER, RF: (T101, T102) 71-1195 (06978)	EA	2				*	*	*	*		3	5
P H	5910-993-2023	CAPACITOR, FIXED, POLYESTER: 0.1 microfarad +5%, 50 volts (C101, C103, C107, C108, C109) 601PE1045-5W2 (84411)	EA	5				*	*	*	*		3	6
P H	5905-062-6662	RESISTOR, FIXED, DEPOSITED CARBON: (R104, R108) RN65D5622F (81349)	EA	2				*	*	*	*		3	7
P H	5905-061-2120	RESISTOR, FIXED, DEPOSITED CARBON: (R103, R107) RN65D4640F (81349)	EA	2				*	*	*	*		3	8

SECTION 227B.

REPAIR PARTS FOR DIRECT SUPPORT, GENERAL SUPPORT, AND DEPOT MAINTENANCE

(1) SMR CODE	(2) FEDERAL STOCK NUMBER	(3) DESCRIPTION <i>Reference Number & Mfr Code Usable On Code</i>	(4) UNIT OF MEAS	(5) QTY INC IN UNIT	(6) 30 DAYS DS MAINT ALLOWANCE			(7) 30 DAYS GS MAINT ALLOWANCE			(8) 1-YR ALW PER 100 EQUIP CNTGCTY	(9) DEPOT MAINT ALW PER 100 EQUIP	(10) ILLUSTRATION	
					(a) 1-20	(b) 21-50	(c) 51-100	(a) 1-20	(b) 21-50	(c) 51-100			(a) FIGURE NO.	(b) ITEM NO.
P H	5905-952-9428	RESISTOR, FIXED, DEPOSITED CARBON: (R102, R106) RN65D34R8F (81349)	EA	2				*	*	*		*	3	9
P H	5905-764-9783	RESISTOR, FIXED, DEPOSITED CARBON: (R101, R105) RN65D42R1F (81349)	EA	2				*	*	*		*	3	10
P H	5910-959-4436	CAPACITOR, FIXED, MICA: (C102, C104) CM05E470GN3 (81349)	EA	2				*	*	*		*	3	11
P H	5935-583-2210	CONNECTOR, PLUG: (P102, P103, P104, P105) 27-1 (02660)	EA	4				*	*	*		*	3	12
P H	5905-062-0537	RESISTOR, FIXED, DEPOSITED CARBON: (R113, R116) RN65D1102F (81349)	EA	2				*	*	*		*	3	13
P H	5905-227-5093	RESISTOR, FIXED, DEPOSITED CARBON: (R110, R111) RNR70C4222FS (81349)	EA	2				*	*	*		*	3	14
P HS		SUPERGROUP MODULATOR/DEMODULA- TOR ASSEMBLY: 19B200691G6 (08771)	EA	1				*	*	*		*	3	15
		KIT ACCESSORY "A": (See R130, R131, R132) 19A101760G1 (08771)	EA	1									3	
P H	5905-079-4057	RESISTOR, FIXED, DEPOSITED CARBON: (R130, R131 - KIT ITEMS) RN65D61R9F (81349)	EA	2				*	*	*		*	3	16

SECTION 227B.
REPAIR PARTS FOR DIRECT SUPPORT, GENERAL SUPPORT, AND DEPOT MAINTENANCE

(1) SMR CODE	(2) FEDERAL STOCK NUMBER	(3) DESCRIPTION <i>Reference Number & Mfr Code Usable On Code</i>	(4) UNIT OF MEAS	(5) QTY INC IN UNIT	(6) 30 DAYS DS MAINT ALLOWANCE			(7) 30 DAYS GS MAINT ALLOWANCE			(8) 1-YR ALW PER 100 EQUIP CNTGCY	(9) DEPOT MAINT ALW PER 100 EQUIP	(10) ILLUSTRATION	
					(a) 1-20	(b) 21-50	(c) 51-100	(a) 1-20	(b) 21-50	(c) 51-100			(a) FIGURE NO.	(b) ITEM NO.
P H	5905-224-7414	RESISTOR, FIXED, DEPOSITED CARBON: (R132 - KIT ITEM) RNR70CIIROFS (81349)	EA	1				*	*	*		*	3	17
P H	5915-999-5214	FILTER, L. P.: (FL101) 5496461G2 (08771)	EA	1				*	*	*		*	3	18
X2 H	6625-118-0295	SPRING, LEAF: 5492832Pi (08771)	EA	1									3	19
X2 H 1		BOARD, PRINTED WIRING: 9D400348PI (08771)	EA	1									3	20
M H		PLATE, IDENT: N239496 (08771)	EA	1									3	21
P H		FILTER, SG: (FL102) 19C300485G13 (08771)	EA	1				*	*	*		*	3	22
X2 H	5895-919-4901	SPRING, LEAF: 5492831P1 (08771)	EA	1									3	23
P H	5905-087-7166	RESISTOR, FIXED, DEPOSITED CARBON: (R112, R114, R115, R117, R118, R119) RN65D8250F (81349)	EA	6				*	*	*		*	3	24
P H	5910-965-6162	CAPACITOR, FIXED, MICA: (C106, CI10) CM05E560GN3 (81349)	EA	2				*	*	*		*	3	25
P H	5910-944-4540	CAPACITOR, FIXED, POLYESTER: 0.1 microfarad p5%, 50 volts dc (C105) 5491189P306 (08771)	EA	1				*	*	*		*	3	26

SECTION 227B.

REPAIR PARTS FOR DIRECT SUPPORT, GENERAL SUPPORT, AND DEPOT MAINTENANCE

(1) SMR CODE	(2) FEDERAL STOCK NUMBER	(3) DESCRIPTION <i>Reference Number & Mfr Code Usable On Code</i>	(4) UNIT OF MEAS	(5) QTY INC IN UNIT	(6) 30 DAYS DS MAINT ALLOWANCE			(7) 30 DAYS GS MAINT ALLOWANCE			(8) 1-YR ALW PER 100 EQUIP CNTGCV	(9) DEPOT MAINT ALW PER 100 EQUIP	(10) ILLUSTRATION	
					(a) 1-20	(b) 21-50	(c) 51-100	(a) 1-20	(b) 21-50	(c) 51-100			(a) FIGURE NO.	(b) ITEM NO.
					P H	5315-971-7734	TRANSFORMER, RF: (T103, T105) 71-1196 (06978)	EA	2					
P H	5950-088-9021	TRANSFORMER, RF: (T104, T106) 71-1140 (06978)	EA	2				*	*	*		*	3	28
P H	5905-993-1356	RESISTOR, FIXED, DEPOSITED CARBON: (R109, R120) RN65D38R3F (81349)	EA	2				*	*	*		*	3	29
X2 H		FRAME SUPPORT ASSEMBLY: 5498842G1 (08771)	EA	1									3	30
P F	5355-053-5698	KNOB: 19C310351P1 (08771)	EA	1	*	*	*	*	*	*		*	3	31
M H		STRIP, FOIL: 19B203072P2 (08771)	EA	1									3	32
X2 H	5305-082-3405	SCREW, DRIVE: N539P103 (08771)	EA	2									3	33
M H		STRIP, DESIGNATION: 19B203025P7 (08771)	EA	1									3	34
M H		PLATE, IDENT: NP243378P8 (08771)	EA	2									3	35
X2 H	5940-615-8954	FERRULE, RF CABLE: GSB071 (59730)	EA	4										
X2 H	5940-502-7688	FERRULE, RF CABLE: YOC90 (09922)	EA	4										

SECTION 227B.

REPAIR PARTS FOR DIRECT SUPPORT, GENERAL SUPPORT, AND DEPOT MAINTENANCE

(1) SMR CODE	(2) FEDERAL STOCK NUMBER	(3) DESCRIPTION <i>Reference Number & Mfr Code Usable On Code</i>	(4) UNIT OF MEAS	(5) QTY INC IN UNIT	(6) 30 DAYS DS MAINT ALLOWANCE			(7) 30 DAYS GS MAINT ALLOWANCE			(8) 1-YR ALW PER 100 EQUIP CNTGCV	(9) DEPOT MAINT ALW PER 100 EQUIP	(10) ILLUSTRATION	
					(a) 1-20	(b) 21-50	(c) 51-100	(a) 1-20	(b) 21-50	(c) 51-100			(a) FIGURE NO.	(b) ITEM NO.
					X2 H		SUPERGROUP AMPLIFIER ASSEMBLY: 5496248G2 (08771) PANEL, FRONT: 5498720G10 (08771)	EA	1					
P H	5935-973-7753	CONTACT, ELECTRICAL:(TP1, TP2, TP5, TP6) 16-1266-5 (74970)	EA	4				*	*	*		*	4	2
P O	6240-944-4724	LAMP:(I1) 38AS13-1535 (72619)	EA	1	*	*	*	*	*	*		*	4	3
X2 H	5310-962-1448	NUT: 19B200854P1 (08771)	EA	1									4	4
X2 H	5310-957-8992	NUT, KNURLED: 5808-000-0012-04 (72619)	EA	1									4	5
X2 H	4730-078-8451	NUT, HEX, PLAIN: 4901-000-0012-01 (72619)	EA	1									4	6
X2 H	5310-078-8453	WASHER, LOCK: 8101-000-0012-01 (72619)	EA	1									4	7
P H	6210-952-1818	LAMPHOLDER:(X11) 7538 CLEAR (72619)	EA	1				*	*	*		*	4	8
P H		CAPACITOR, FIXED, POLYESTER: 0.22 microfarad, +10%, 50 volts (C2, C5) 9A116080P109 (08771)	EA	2				*	*	*		*	4	9

SECTION 227B.

REPAIR PARTS FOR DIRECT SUPPORT, GENERAL SUPPORT, AND DEPOT MAINTENANCE

(1) SMR CODE	(2) FEDERAL STOCK NUMBER	(3) DESCRIPTION <i>Reference Number & Mfr Code Usable On Code</i>	(4) UNIT OF MEAS	(5) QTY INC IN UNIT	(6) 30 DAYS DS MAINT ALLOWANCE			(7) 30 DAYS GS MAINT ALLOWANCE			(8) 1-YR ALW PER 100 EQUIP CNTGCV	(9) DEPOT MAINT ALW PER 100 EQUIP	(10) ILLUSTRATION	
					(a)	(b)	(c)	(a)	(b)	(c)			(a) FIGURE NO.	(b) ITEM NO.
					1-20	21-50	51-100	1-20	21-50	51-100				
P H	5910-490-3767	CAPACITOR, FIXED, POLYESTER: 0.068 microfarad, +5%, 50 volts (C1 C3, C4) 601PE6835R50W (84411)	EA	3				*	*	*		*	4	10
P H	5905-462-5720	RESISTOR, FIXED, METAL FILM: 2870 ohms +2%, 1/2 watt (R6) RNC60H28T1F (81349)	EA	1				*	*	*		*	4	11
P H	5905-146-4164	RESISTOR, FIXED, METAL FILM: 4640 ohms +2%, 1/2 watt (R7) RNC60H4641FS (81349)	EA	1				*	*	*		*	4	12
P H	5961-842-6937	TRANSISTOR, PNP: (Q3) 2N706 (81349)	EA	1	*	*	*	*	*	*		*	4	13
P H	5905-759-8916	RESISTOR, FIXED, METAL FILM: 1100 ohms +2%, 1/2 watt RNC60H110FS (81349)	EA	1				*	*	*		*	4	14
P H	5961-985-1503	TRANSISTOR, PNP: (Q1, Q2) 2N2189 (01295)	EA	2				*	*	*		*	4	15
P H	5905-424-9451	RESISTOR, FIXED, METAL FILM: 3830 ohms *2%, 1/2 watt (R2) RNC60H3831FS (81349)	EA	1				*	*	*		*	4	16
P H		RESISTOR, FIXED, METAL FILM: (R1) RLR20C103GS (81349)	EA	1				*	*	*		*	4	17
P H	5905-491-8744	RESISTOR, FIXED, METAL FILM: 6190 ohms +2%, 1/2 watt (R3) RNC60H6191FS (81349)	EA	1				*	*	*		*	4	18

SECTION 227B.

REPAIR PARTS FOR DIRECT SUPPORT, GENERAL SUPPORT, AND DEPOT MAINTENANCE

(1) SMR CODE	(2) FEDERAL STOCK NUMBER	(3) DESCRIPTION <i>Reference Number & Mfr Code Usable On Code</i>	(4) UNIT OF MEAS	(5) QTY INC IN UNIT	(6) 30 DAYS DS MAINT ALLOWANCE			(7) 30 DAYS GS MAINT ALLOWANCE			(8) 1-YR ALW PER 100 EQUIP CNTGCV	(9) DEPOT MAINT ALW PER 100 EQUIP	(10) ILLUSTRATION	
					(a)	(b)	(c)	(a)	(b)	(c)			(a) FIGURE NO.	(b) ITEM NO.
					1-20	21-50	51-100	1-20	21-50	51-100				
P H	5905-629-6685	RESISTOR, FIXED, METAL FILM: 17.8k ohms 22%, 1/2 watt (R4) RNC60HI782FS (81349)	EA	1				*	*	*		*	4	19 .
X2 H		SCREW, MACHINE: N80P9017C13 (08771)	EA	4									4	20
X2 H		BOARD, PW: 19B202075P1 (08771)	EA	1									4	21
X2 H	5365-919-4899	SPACER: 4037156P1 (08771)	EA	2									4	22
P H S	5805-105-7261	PC BOARD ASSEMBLY: 5493034G1 (08771)	EA	1				*	*	*		*	4	23
P F	5920-926-3105	FUSE, ENCLOSED LINK: (F1) M23419-2-005 (81349)	EA	1	*	*	*	*	*	*		*	4	24
P H	5920-973-8204	FUSEHOLDER: (XF1) 281001 (75915)	EA	1				*	*	*		*	4	25
P H	5905-993-2267	RESISTOR, FIXED, DEPOSITED CARBON: (R10, RII) RN65D5112F (81349)	EA	2				*	*	*		*	4	26
P H	5961-988-3991	SEMICONDUCTOR: (CR1, CR2) SC4 (14099)	EA	2				*	*	*		*	4	27
P H	5905-062-0154	RESISTOR, FIXED, DEPOSITED CARBON: (R9) RN65D3482F (81349)	EA	1				*	*	*		*	4	28

SECTION 227B.

REPAIR PARTS FOR DIRECT SUPPORT, GENERAL SUPPORT, AND DEPOT MAINTENANCE

(1) SMR CODE	(2) FEDERAL STOCK NUMBER	(3) DESCRIPTION <i>Reference Number & Mfr Code Usable On Code</i>	(4) UNIT OF MEAS	(5) QTY INC IN UNIT	(6) 30 DAYS DS MAINT ALLOWANCE			(7) 30 DAYS GS MAINT ALLOWANCE			(8) 1-YR ALW PER 100 EQUIP CNTGCV	(9) DEPOT MAINT ALW PER 100 EQUIP	(10) ILLUSTRATION	
					(a) 1-20	(b) 21-50	(c) 51-100	(a) 1-20	(b) 21-50	(c) 51-100			(a) FIGURE NO.	(b) ITEM NO.
P H	5905-062-5037	RESISTOR, FIXED, DEPOSITED CARBON: (R8) RN65D5620F (81349)	EA	1				*	*	*		*	4	29
X2 H		BOARD, PW: 19B202076P1 (08771)	EA	1									4	30
X2 H		SUPERGROUP AMPLIFIER ASSEMBLY: 5496248G1 (08771)												
X2 H		PANEL, FRONT: 5498720G9 (08771)	EA	1									4	1
P H	5935-973-7753	CONTACT, ELECTRICAL: (TP1, TP2, TP5, TP6) 16-1266-5 (74970)	EA	4				*	*	*		*	4	2
P O	6240-944-4724	LAMP: (11) 38AS13-1535 (72619)	EA	1	*	*	*	*	*	*		*	4	3
X2 H	5310-962-1448	NUT: 19B200854P1 (08771)	EA	1									4	4
X2 H	5310-957-8992	NUT, KNURLED: 5808-000-0012-04 (72619)	EA	1									4	5
X2 H	4730-078-8451	NUT, HEX, PLAIN: 4901-000-0012-01 (72619)	EA	1									4	6
X2 H	5310-078-8453	WASHER, LOCK: 8101-000-0012-01 (72619)	EA	1									4	7

SECTION 227B.

REPAIR PARTS FOR DIRECT SUPPORT, GENERAL SUPPORT, AND DEPOT MAINTENANCE

(1) SMR CODE	(2) FEDERAL STOCK NUMBER	(3) DESCRIPTION <i>Reference Number & Mfr Code Usable On Code</i>	(4) UNIT OF MEAS	(5) QTY INC IN UNIT	(6) 30 DAYS DS MAINT ALLOWANCE			(7) 30 DAYS GS MAINT ALLOWANCE			(8) 1-YR ALW PER 100 EQUIP CNTGCTY	(9) DEPOT MAINT ALW PER 100 EQUIP	(10) ILLUSTRATION	
					(a)	(b)	(c)	(a)	(b)	(c)			(a) FIGURE NO.	(b) ITEM NO.
					1-20	21-50	51-100	1-20	21-50	51-100				
P H	6210-952-1818	LAMPHOLDER: (X1) 7538 CLEAR (72619).	EA	1				*	*	*		*	4	8
P H		CAPACITOR, FIXED, POLYESTER: 0.22 microfarad, +10%, 50 volts (C2, C5) 19A116080P109 (08771)	EA	2				*	*	*		*	4	9
P H	5910-490-3767	CAPACITOR, FIXED, POLYESTER: 0.068 microfarad, +5%, 50 volts (C1, C3, C4) 01PE6835R50W (84411)	EA	3				*	*	*		*	4	10
P H	5905-462-5720	RESISTOR, FIXED, METAL FILM: 2870 ohms ±2%, 1/2 watt (R6) RNC60H2871FS (81349)	EA	1				*	*	*		*	4	11
P H	5905-146-4164	RESISTOR, FIXED, METAL FILM: 4640 ohms +2%, 1/2 watt (R7) RNC60H4641FS (81349)	EA	1				*	*	*		*	4	12
P H	5961-842-6937	TRANSISTOR, PNP: (Q3) 2N706 (81349)	EA	1				*	*	*		*	4	13
P H	5905-759-8916	RESISTOR, FIXED, METAL FILM: 1100 ohms +2%, 1/2 watt RNC60Ho01FS (81349)	EA	1				*	*	*		*	4	14
P H	5961-985-1503	TRANSISTOR, PNP: (Q1, Q2) 2N2189 (01295)	EA	2				*	*	*		*	4	15
P H	5905-424-9451	RESISTOR, FIXED, METAL FILM: 3830 ohms +2%, 1/2 watt (R2) RNC60H3831FS (81349)	EA	1				*	*	*		*	4	16

SECTION 227B.

REPAIR PARTS FOR DIRECT SUPPORT, GENERAL SUPPORT, AND DEPOT MAINTENANCE

(1) SMR CODE	(2) FEDERAL STOCK NUMBER	(3) DESCRIPTION <i>Reference Number & Mfr Code Usable On Code</i>	(4) UNIT OF MEAS	(5) QTY INC IN UNIT	(6) 30 DAYS DS MAINT ALLOWANCE			(7) 30 DAYS GS MAINT ALLOWANCE			(8) 1-YR ALW PER 100 EQUIP CNTGCTY	(9) DEPOT MAINT ALW PER 100 EQUIP	(10) ILLUSTRATION	
					(a)	(b)	(c)	(a)	(b)	(c)			(a) FIGURE NO.	(b) ITEM NO.
					1-20	21-50	51-100	1-20	21-50	51-100				
P H	5905-	RESISTOR, FIXED, METAL FILM: (R1) RLR20C103GS (81349)	EA	1				*	*	*		*	4	17
P H	5905-491-8744	RESISTOR, FIXED, METAL FILM: 6190 ohms *2%, 1/2 watt (R3) RNC60H6191FS (81349)	EA	1				*	*	*		*	4	18
P H	5905-629-6685	RESISTOR, FIXED, METAL FILM: 17.8k ohms ±2%, 1/2 watt (R4) RNC60HI782FS (81349)	EA	1				*	*	*		*	4	19
X2 H		SCREW, MACHINE: N80P9017C13 (08771)	EA	4									4	20
X2 H		BOARD, PW: 19B202075P1 (08771)	EA	1									4	21
X2 H	5365-919-4899	SPACER: 4037156P1 (08771)	EA	2									4	22
P H S	5805-105-7261	PC BOARD ASSEMBLY: 5493034G1 (08771)	EA	1				*	*	*		*	4	23
P F	5920-926-3105	FUSE, ENCLOSED LINK: (F1) M23419-2-005 (81349)	EA	1	*	*	*	*	*	*		*	4	24
P H	5920-973-8204	FUSEHOLDER: (XF1) 281001 (75915)	EA	1				*	*	*		*	4	25
P H	5905-993-2267	RESISTOR, FIXED, DEPOSITED CARBON: (R10, RII) RN65D5112F (81349)	EA	1				*	*	*		*	4	26

SECTION 227B.

REPAIR PARTS FOR DIRECT SUPPORT, GENERAL SUPPORT, AND DEPOT MAINTENANCE

(1) SMR CODE	(2) FEDERAL STOCK NUMBER	(3) DESCRIPTION <i>Reference Number & Mfr Code Usable On Code</i>	(4) UNIT OF MEAS	(5) QTY INC IN UNIT	(6) 30 DAYS DS MAINT ALLOWANCE			(7) 30 DAYS GS MAINT ALLOWANCE			(8) 1-YR ALW PER 100 EQUIP CNTGCTY	(9) DEPOT MAINT ALW PER 100 EQUIP	(10) ILLUSTRATION	
					(a)	(b)	(c)	(a)	(b)	(c)			(a) FIGURE NO.	(b) ITEM NO.
					1-20	21-50	51-100	1-20	21-50	51-100				
P H	5961-988-3991	SEMICONDUCTOR: (CR1, CR2) SC4 (14099)	EA	2				*	*	*		*	4	27
P H	5905-062-0154	RESISTOR, FIXED, DEPOSITED CARBON: (R9) RN65D3482F (81349)	EA	1				*	*	*		*	4	28
P H	5905-062-5037	RESISTOR, FIXED, DEPOSITED CARBON: (R8) RN65D5620F (81349)	EA	1				*	*	*		*	4	29
X2 H		BOARD, PW: 19B202076P1 (08771)	EA	1									4	30
		SUPERGROUP MODULATOR/DEMODULA- TOR ASSEMBLY, 19B200691G6 (08771)												
P H	5961-984-7733	TRANSISTOR PNP: (Q101, Q102, Q103, Q104) 2N428M (81349)	EA	4				*	*	*		*	5	1
P H	5935-926-0247	SOCKET, TRANSISTOR: (XQ101, XQ102, XQ103, XQ104) 1213LL2 (91459)	EA	4				*	*	*		*	5	2
P H	5905-409-0398	RESISTOR, FIXED, DEPOSITED CARBON: (R121, R122, R123, R124) RNR70C1211FS (81349)	EA	4				*	*	*		*	5	3
P H	5950-954-6745	TRANSFORMER, RF: (T108) 5496769P1 (08771)	EA	1	*	*	*	*	*	*		*	5	4

SECTION 227B.

REPAIR PARTS FOR DIRECT SUPPORT, GENERAL SUPPORT, AND DEPOT MAINTENANCE

(1) SMR CODE	(2) FEDERAL STOCK NUMBER	(3) DESCRIPTION <i>Reference Number & Mfr Code Usable On Code</i>	(4) UNIT OF MEAS	(5) QTY INC IN UNIT	(6) 30 DAYS DS MAINT ALLOWANCE			(7) 30 DAYS GS MAINT ALLOWANCE			(8) 1-YR ALW PER 100 EQUIP CNTGCTY	(9) DEPOT MAINT ALW PER 100 EQUIP	(10) ILLUSTRATION	
					(a)	(b)	(c)	(a)	(b)	(c)			(a) FIGURE NO.	(b) ITEM NO.
					1-20	21-50	51-100	1-20	21-50	51-100				
P H	5950-960-1380	TRANSFORMER, RF: (T107) 71-1325 (06978)	EA	1				*	*	*		*	5	5
P H	5935-969-9043	CONNECTOR, RECEPTACLE: (J102, J103, J104) 27-3 (02660)	EA	3				*	*	*		*	5	6
X2 H		TERMINAL, LUG: 536 (79963)	EA	3									5	7
X2 H		STUD, ANCHOR: 216-160312-00 (02768)	EA	2									5	8
X2 H		WASHER, FIBER: 4035306P54 (08771)	EA	2									5	9
X2 H		SPACER: 7142162P77 (08771)	EA	2									5	10
X2 H		SPACER, SLEEVE: 4035111P1 (08771)	EA	2									5	11
P H		RESISTOR, FIXED, DEPOSITED CARBON: (R126, R127) RNR70C75ROFS (81349)	EA	2				*	*	*		*	5	12
P H	5905-227-5092	RESISTOR, FIXED, DEPOSITED CARBON: (R128) RNR70C2870FS (81349)	EA	1				*	*	*		*	5	13
P H	5905-068-8282	RESISTOR, FIXED, DEPOSITED CARBON: (R129) N65D19R6F (81349) I	EA	1				*	*	*		*	5	14

SECTION 227B.

REPAIR PARTS FOR DIRECT SUPPORT, GENERAL SUPPORT, AND DEPOT MAINTENANCE

(1) SMR CODE	(2) FEDERAL STOCK NUMBER	(3) DESCRIPTION <i>Reference Number & Mfr</i> <i>Code Usable On Code</i>	(4) UNIT OF MEAS	(5) QTY INC IN UNIT	(6) 30 DAYS DS MAINT ALLOWANCE			(7) 30 DAYS GS MAINT ALLOWANCE			(8) 1-YR ALW PER 100 EQUIP CNTGCTY	(9) DEPOT MAINT ALW PER 100 EQUIP	(10) ILLUSTRATION	
					(a) 1-20	(b) 21-50	(c) 51-100	(a) 1-20	(b) 21-50	(c) 51-100			(a) FIGURE NO.	(b) ITEM NO.
X2 H		TERMINAL, SPLIT TYPE: 4035793P1 (08771)	EA	8									5	15
X2 H		BOARD, PW: 19B203073P1 (08771)	EA	1									5	16
X2 H		CAN: 5492941P8 (08771)	EA	1									5	17

SECTION 228A

SUPERGROUP RECEIVER UNIT ASSEMBLY, 19C301318G4.
REPAIR PARTS FOR ORGANIZATIONAL MAINTENANCE

(1) SMR CODE	(2) FEDERAL STOCK NUMBER	(3) DESCRIPTION <i>Reference Number & Mfr. Code Usable On Code</i>	(4) UNIT OF MEAS	(5) QTY INC IN UNIT	(6) 15-DAY ORG MAINT ALLOWANCE				(7) ILLUSTRATION	
					(a) 1-5	(b) 6-20	(c) 21-50	(d) 51-100	(a) FIGURE NO.	(b) ITEM NO.
P O	5820-255-1522 6240-944-4724	SUPERGROUP RECEIVER UNIT ASSEMBLY 812-1052 KHz 19C301318G4 (08771) LAMP (I1) 38AS13-1535 (72619)	EA	1	*	*	*	*	4	3

SECTION 228B. REPAIR PARTS FOR DIRECT SUPPORT, GENERAL SUPPORT, AND DEPOT MAINTENANCE

(1) SMR CODE	(2) FEDERAL STOCK NUMBER	(3) DESCRIPTION <i>Reference Number & Mfr Code Usable On Code</i>	(4) UNIT OF MEAS	(5) QTY INC IN UNIT	(6) 30 DAYS DS MAINT ALLOWANCE			(7) 30 DAYS GS MAINT ALLOWANCE			(8) 1-YR ALW PER 100 EQUIP CNTGCV	(9) DEPOT MAINT ALW PER 100 EQUIP	(10) ILLUSTRATION	
					(a) 1-20	(b) 21-50	(c) 51-100	(a) 1-20	(b) 21-50	(c) 51-100			(a) FIGURE NO.	(b) ITEM NO.
P F S	5820-255-1522	SUPERGROUP RECEIVER UNIT ASSEMBLY: 812-1052 kHz 19C301318G4 (08771)	EA	1	*	*	*	*	*	*		*	3	
P F S	5895-999-1641	SUPERGROUP AMPLIFIER ASSEMBLY: 5496248G2 (08771)	EA	1	*	*	*	*	*	*		*	3	1
P F S	5820-994-5084	SUPERGROUP AMPLIFIER ASSEMBLY: 5496248G1 (08771)	EA	1	*	*	*	*	*	*		*	3	2
A H S		RECEIVE FRAME AND BOARD ASSEMBLY: 19C301320G1 (08771)	EA	1									3	3
P H	5935-926-2944	CONNECTOR, PW: (J100, JI01) M21097-1-055 (81349)	EA	2				*	*	*		*	3	4
P H	5950-088-8600	TRANSFORMER, RF: (T10I, T102) 71-1195 (06978)	EA	2				*	*	*		*	3	5
P H	5910-993-2023	CAPACITOR, FIXED, POLYESTER: 0.1 microfarad ±5%, 50 volts (C10I, C103, C107, C108, C109) 601PE1045-5W2 (84411)	EA	5				*	*	*		*	3	6
P H	5905-062-6662	RESISTOR, FIXED, DEPOSITED CARBON: (R104, R108) RN65D5622F (81349)	EA	2				*	*	*		*	3	7
P H	5905-061-2120	RESISTOR, FIXED, DEPOSITED CARBON: (R103, R107) RN65D4640F (81349)	EA	2				*	*	*		*	3	8

SECTION 228B: REPAIR PARTS FOR DIRECT SUPPORT, GENERAL SUPPORT, AND DEPOT MAINTENANCE

(1) SMR CODE	(2) FEDERAL STOCK NUMBER	(3) DESCRIPTION <i>Reference Number & Mfr Code Usable On Code</i>	(4) UNIT OF MEAS	(5) QTY INC IN UNIT	(6) 30 DAYS DS MAINT ALLOWANCE			(7) 30 DAYS GS MAINT ALLOWANCE			(8) 1-YR ALW PER 100 EQUIP CNTGCV	(9) DEPOT MAINT ALW PER 100 EQUIP	(10) ILLUSTRATION	
					(a) 1-20	(b) 21-50	(c) 51-100	(a) 1-20	(b) 21-50	(c) 51-100			(a) FIGURE NO.	(b) ITEM NO.
					P H	5905-952-9428	RESISTOR, FIXED, DEPOSITED CARBON: (R102, R106) RN65D34R8F (81349)	EA	2					
P H	5905-764-9783	RESISTOR, FIXED, DEPOSITED CARBON- (R101, R105) R965D42RZF (81349)	EA	2				*	*	*		*	3	10
P H	5910-959-4436	CAPACITOR, FIXED, MICA- (C102, C104) CM05E470GN3 (81349)	EA	2				*	*	*		*	3	11
P H	5935-583-2210	CONNECTOR, PLUG:(P102, P103, P104, P105) 27-1 (02660)	EA	4				*	*	*		*	3	12
P H	5905-062-0537	RESISTOR, FIXED, DEPOSITED CARBON: (R113, R116) RN65D1102F (81349)	EA	2				*	*	*		*	3	13
P H	5905-227-5093	RESISTOR, FIXED, DEPOSITED CARBON: (R110, R111) RNR70C4222FS (81349)	EA	2				*	*	*		*	3	14
P H S		SUPERGROUP MODULATOR/DEMODULA- TOR ASSEMBLY: 19B200691G6 (08771)	EA	1				*	*	*		*	3	15
		KIT ACCESSORY "A": (See R130, R131, R132) 19A101760G1 (08771)	EA	1									3	

SECTION 228B. REPAIR PARTS FOR DIRECT SUPPORT, GENERAL SUPPORT, AND DEPOT MAINTENANCE

(1) SMR CODE	(2) FEDERAL STOCK NUMBER	(3) DESCRIPTION <i>Reference Number & Mfr Code Usable On Code</i>	(4) UNIT OF MEAS	(5) QTY INC IN UNIT	(6) 30 DAYS DS MAINT ALLOWANCE			(7) 30 DAYS GS MAINT ALLOWANCE			(8) 1-YR ALW PER 100 EQUIP CNTGCV	(9) DEPOT MAINT ALW PER 100 EQUIP	(10) ILLUSTRATION	
					(a) 1-20	(b) 21-50	(c) 51-100	(a) 1-20	(b) 21-50	(c) 51-100			(a) FIGURE NO.	(b) ITEM NO.
					P H	5905-079-4057	RESISTOR, FIXED, DEPOSITED CARBON: (R130, R131 - KIT ITEMS) RN65D61R9F (81349)	EA	2					
P H	5905-224-7414	RESISTOR, FIXED, DEPOSITED CARBON: (R132 - KIT ITEM) RNR70C11ROFS (81349)	EA	1				*	*	*		*	3	17
P H	5915-999-5214	FILTER, L. P.: (FL101) 5496461G2 (08771)	EA	1				*	*	*		*	3	18
X2 H	6625-118-0295	SPRING, LEAF: 5492832P1 (08771)	EA	1									3	19
X2 H		BOARD, PRINTED WIRING: 19D400384P1 (08771)	EA	1									3	20
M H		PLATE, IDENT: N239496 (08771)	EA	1									3	21
P H		FILTER, SG: 19C300485G14 (08771)	EA	1				*	*	*		*	3	22
X2 H	5895-919-4901	SPRING, LEAF- 5492831P1 (08771)	EA	1									3	23
P H	5905-087-7166	RESISTOR, FIXED, DEPOSITED CARBON: (R112, R114, R115, R117, R118, R119) RN65D8250F (81349)	EA	6				*	*	*		*	3	24
P H	5910-965-6162	CAPACITOR, FIXED, MICA: (C106, C110) CM05E560GN3 (81349)	EA	2				*	*	*		*	3	25

SECTION 228B. REPAIR PARTS F(R DIRECT SUPPORT, GENERAL SUPPORT, AND DEPOT MAINTENANCE

(1) SMR CODE	(2) FEDERAL STOCK NUMBER	(3) DESCRIPTION <i>Reference Number & Mfr Code Usable On Code</i>	(4) UNIT OF MEAS	(5) QTY INC IN UNIT	(6) 30 DAYS DS MAINT ALLOWANCE			(7) 30 DAYS GS MAINT ALLOWANCE			(8) 1-YR ALW PER 100 EQUIP CNTGCV	(9) DEPOT MAINT ALW PER 100 EQUIP	(10) ILLUSTRATION	
					(a) 1-20	(b) 21-50	(c) 51-100	(a) 1-20	(b) 21-50	(c) 51-100			(a) FIGURE NO.	(b) ITEM NO.
					P H	5910-944-4540	CAPACITOR, FIXED, POLYESTER: 0.1 microfarad ±5%, 50 volts dc (C105) 5491189P306 (08771)	EA	1					
P H	5315-971-7734	TRANSFORMER, RF: (T103, T105) 71-1196 (06978)	EA	2				*	*	*		*	3	27
P H	5950-088-9021	TRANSFORMER, RF: (T104, T106) 71-1140 (06978)	EA	2				*	*	*		*	3	28
P H	5905-993-1356	RESISTOR, FIXED, DEPOSITED CARBON: (R109, R120) 1N65D38R3F	EA	2				*	*	*		*	3	29
X2 H		FRAME SUPPORT ASSEMBLY: 5498842G1 (08771)	EA	1									3	30
P F	5355-053-5698	KNOB: 19C310135P1 (08771)	EA	1	*	*	*	*	*	*		*	3	31
M H		STRIP, FOIL: 19B203072P2 (08771)	EA	1									3	32
X2 H	5305-082-3405	SCREW, DRIVE: N539P103 (08771)	EA	2									3	33
M H		STRIP, DESIGNATION: 19B203025P7 (08771)	EA	1									3	34
M H		PLATE, IDENT: NP243378P9 (08771)	EA	2									3	35

SECTION 228B. REPAIR PARTS FOR DIRECT SUPPORT, GENERAL SUPPORT, AND DEPOT MAINTENANCE

(1) SMR CODE	(2) FEDERAL STOCK NUMBER	(3) DESCRIPTION <i>Reference Number & Mfr Code Usable On Code</i>	(4) UNIT OF MEAS	(5) QTY INC IN UNIT	(6) 30 DAYS DS MAINT ALLOWANCE			(7) 30 DAYS GS MAINT ALLOWANCE			(8) 1-YR ALW PER 100 EQUIP CNTGCV	(9) DEPOT MAINT ALW PER 100 EQUIP	(10) ILLUSTRATION	
					(a) 1-20	(b) 21-50	(c) 51-100	(a) 1-20	(b) 21-50	(c) 51-100			(a) FIGURE NO.	(b) ITEM NO.
					X2 H	5940-615-8954	FERRULE, RF CABLE: (Not Illustrated) GSB071 (59730)	EA	4					
X2 H	5940-502-7688	FERRULE, RF CABLE: (Not Illustrated) YOC90 (09922)	EA	4										
X2 H		SUPERGROUP AMPLIFIER ASSEMBLY: 5496248G2 (08771)												
X2 H		PANEL, FRONT: 5498720G10 (08771)	EA	1								4	1	
P H	5935-973-7753	CONTACT, ELECTRICAL:(TP1, TP2, TP5, TP6) 16-1266-5 (74970)	EA	4				*	*	*		*	4	2
P O	6240-944-4724	LAMP: (11) 38AS13-1535 (72619)	EA	1	*	*	*	*	*	*		*	4	3
X2 H	5310-962-1448	NUT: 19B200854P1 (08771)	EA	1									4	4
X2 H	5310-957-8992	NUT, KNURLED- 5808-000-0012-04 (72619)	EA	1									4	5
X2 H	4730-078-8451	NUT, HEX, PLAIN: 4901-000-0012-01 (72619)	EA	1									4	6
X2 H	5310-078-8453	WASHER, LOCK: 8101-000-0012-01 (72619)	EA	1									4	7

SECTION 228B. REPAIR PARTS FOR DIRECT SUPPORT, GENERAL SUPPORT, AND DEPOT MAINTENANCE

(1) SMR CODE	(2) FEDERAL STOCK NUMBER	(3) DESCRIPTION <i>Reference Number & Mfr Code Usable On Code</i>	(4) UNIT OF MEAS	(5) QTY INC IN UNIT	(6) 30 DAYS DS MAINT ALLOWANCE			(7) 30 DAYS GS MAINT ALLOWANCE			(8) 1-YR ALW PER 100 EQUIP CNTGCV	(9) DEPOT MAINT ALW PER 100 EQUIP	(10) ILLUSTRATION	
					(a) 1-20	(b) 21-50	(c) 51-100	(a) 1-20	(b) 21-50	(c) 51-100			(a) FIGURE NO.	(b) ITEM NO.
P H	6210-952-1818	LAMPHOLDER: (X1) 7538 CLEAR (72619)	EA	1				*	*	*		*	4	8
P H	CAPACITOR, FIXED, POLYESTER:	0.22 microfarad ±10%, 50 volts (C2, C5) 19A116080P109 (08771)	EA	2				*	*	*		*	4	9
P H	5910-490-3767	CAPACITOR, FIXED, POLYESTER: 0.068 microfarad ±5%, 50 volts (C1, C3, C4) 601PE6835R50W (84411)	EA	3				*	*	*		*	4	10
P H	5905-462-5720	RESISTOR, FIXED, METAL FILM: 2870 ohms ±2%, 1/2 watt (R6) RNC60H2871FS (81349)	EA	1				*	*	*		*	4	11
P H	5905-146-4164	RESISTOR, FIXED, METAL FILM: 4640 ohms ±2%, 1/2 watt (R7) RNC60H4641FS (81349)	EA	1				*	*	*		*	4	12
P H	5961-842-6937	TRANSISTOR, PNP: (Q3) 2N706 (81349)	EA	1				*	*	*		*	4	13
P H	5905-759-8916	RESISTOR, FIXED, METAL FILM: 1100 ohms ±2%, 1/2 watt RNC60oi101FS (81349)	EA	1				*	*	*		*	4	14
P H	5961-985-1503	TRANSISTOR, PNP: (Q1, Q2) 2N2189 (01295)	EA	2				*	*	*		*	4	15
P H	5905-424-9451	RESISTOR, FIXED, METAL FILM: 3830 ohms ±2%, 1/2 watt (R2) RNC60H3831FS (08771)	EA	1				*	*	*		*	4	16

SECTION 228B. REPAIR PARTS FOR DIRECT SUPPORT, GENERAL SUPPORT, AND DEPOT MAINTENANCE

(1) SMR CODE	(2) FEDERAL STOCK NUMBER	(3) DESCRIPTION <i>Reference Number & Mfr Code Usable On Code</i>	(4) UNIT OF MEAS	(5) QTY INC IN UNIT	(6) 30 DAYS DS MAINT ALLOWANCE			(7) 30 DAYS GS MAINT ALLOWANCE			(8) 1-YR ALW PER 100 EQUIP CNTGCV	(9) DEPOT MAINT ALW PER 100 EQUIP	(10) ILLUSTRATION	
					(a) 1-20	(b) 21-50	(c) 51-100	(a) 1-20	(b) 21-50	(c) 51-100			(a) FIGURE NO.	(b) ITEM NO.
					P H		RESISTOR, FIXED, DEPOSITED CARBON: (R1) RLR20C103GS (81349)	EA	1					
P H	5905-491-8744	RESISTOR, FIXED, METAL FILM: 6190 ohms +2%, 1/2 watt (R3) MC60H6191PS (81349)	EA	1				*	*	*		*	4	18
P H	5905-629-6685	RESISTOR, FIXED, METAL FILM: 17. 8k ohms +2%, 1/2 watt (R4) RNC60H1782FS (81349)	EA	1				*	*	*		*	4	19
X2 H		SCREW, MACHINE: N80P9017C13 (08771)	EA	4									4	20
X2 H		BOARD, PW: 19B202075P1 (08771)	EA	1									4	21
X2 H	5365-919-4899	SPACER: 4037156P1 (08771)	EA	2									4	22
P H S	5805-105-7261	PC BOARD ASSEMBLY: 5493034G1 (08771)	EA	1				*	*	*		*	4	23
P F	5920-926-3105	FUSE, ENCLOSED LINK: (F1) M23419-2-005 (81349)	EA	1	*	*	*	*	*	*		*	4	24
P H	5920-973-8204	FUSEHOLDER: (XF1) 281001 (75915)	EA	1				*	*	*		*	4	25
P H	5905-993-2267	RESISTOR, FIXED, DEPOSITED CARBON: (R10, R11) RN65D5112F (81349)	EA	2				*	*	*		*	4	26

SECTION 228B. REPAIR PARTS FOR DIRECT SUPPORT, GENERAL SUPPORT, AND DEPOT MAINTENANCE

(1) SMR CODE	(2) FEDERAL STOCK NUMBER	(3) DESCRIPTION <i>Reference Number & Mfr Code Usable On Code</i>	(4) UNIT OF MEAS	(5) QTY INC IN UNIT	(6) 30 DAYS DS MAINT ALLOWANCE			(7) 30 DAYS GS MAINT ALLOWANCE			(8) 1-YR ALW PER 100 EQUIP CNTGCV	(9) DEPOT MAINT ALW PER 100 EQUIP	(10) ILLUSTRATION	
					(a)	(b)	(c)	(a)	(b)	(c)			(a) FIGURE NO.	(b) ITEM NO.
					1-20	21-50	51-100	1-20	21-50	51-100				
P H	5961-988-3991	SEMICONDUCTOR: (CR1, CR2) SC4 (14099)	EA	2				*	*	*		*	4	27
P H	5905-062-0154	RESISTOR, FIXED, DEPOSITED CARBON: (R9) RN65D3482F (81349)	EA	1				*	*	*		*	4	28
P H	5905-062-5037	RESISTOR, FIXED, DEPOSITED CARBON: (R8) RN65D5620F (81349)	EA	1				*	*	*		*	4	29
X2 H		BOARD, PW: 19B202076P1 (08771) SUPERGROUP AMPLIFIER ASSEMBLY: 5496248G1 (08771)	EA	1									4	30
X2 H		PANEL, FRONT: 5498720G9 (08771)	EA	1									4	1
P H	5935-973-7753	CONTACT, ELECTRICAL: (TP1, TP2, TP5, TP6) 16-1266-5 (74970)	EA	4				*	*	*		*	4	2
P 0	6240-944-4724	LAMP: (I1) 38AS13-1535 (72619)	EA	1	*	*	*	*	*	*		*	4	3
X2 H	5310-962-1448	NUT: 19B200854P1 (08771)	EA	1									4	4
X2 H	5310-957-8992	NUT, KNURLED: 5808-000-0012-04 (72619)	EA	1									4	5

SECTION 228B. REPAIR PARTS FOR DIRECT SUPPORT, GENERAL SUPPORT, AND DEPOT MAINTENANCE

(1) SMR CODE	(2) FEDERAL STOCK NUMBER	(3) DESCRIPTION <i>Reference Number & Mfr Code Usable On Code</i>	(4) UNIT OF MEAS	(5) QTY INC IN UNIT	(6) 30 DAYS DS MAINT ALLOWANCE			(7) 30 DAYS GS MAINT ALLOWANCE			(8) 1-YR ALW PER 100 EQUIP CNTGCV	(9) DEPOT MAINT ALW PER 100 EQUIP	(10) ILLUSTRATION	
					(a) 1-20	(b) 21-50	(c) 51-100	(a) 1-20	(b) 21-50	(c) 51-100			(a) FIGURE NO.	(b) ITEM NO.
					X2 H	4730-078-8451	NUT, HEX, PLAIN: 4901-000-0012-01 (72619)	EA	1					
X2 H	5310-078-8453	WASHER, LOCK: 8101-000-0012-01 (72619)	EA	1								4	7	
P H	6210-952-1818	LAMPHOLDER: (X11) 7538 CLEAR (72619)	EA	1				*	*	*		*	4	8
P H	CAPACITOR, FIXED, POLYESTER. 0.22 microfarad ±10%, 50 volts (C2, C5) 19A116080P109 (08771)		EA	2				*	*	*		*	4	9
P H	5910-490-3767	CAPACITOR, FIXED, POLYESTER: 0.068 microfarad ±5%, 50 volts (C1,C3, C4) 601PE6835R50W (84411)	EA	3				*	*	*		*	4	10
P H	5905-462-5720	RESISTOR, FIXED, METAL FILM: 2870 ohms ±2%, 1/2 watt (R6) RNC60H2871FS (81349)	EA	1				*	*	*		*	4	11
P H	5905-146-4164	RESISTOR, FIXED, METAL FILM: 4640 ohms ±2%, 1/2 watt (R7) RNC60H464iFS (81349)	EA	1				*	*	*		*	4	12
P H	5961-842-6937	TRANSISTOR, PNP: (Q3) 2N706 (81349)	EA	1				*	*	*		*	4	13
P H	5905-759-8916	RESISTOR, FIXED, METAL FILM: 1100 ohms ±2%, 1/2 watt RNC60H1101FS (81349)	EA	1				*	*	*		*	4	14

SECTION 228B. REPAIR PARTS FOR DIRECT SUPPORT, GENERAL SUPPORT, AND DEPOT MAINTENANCE

(1) SMR CODE	(2) FEDERAL STOCK NUMBER	(3) DESCRIPTION <i>Reference Number & Mfr Code Usable On Code</i>	(4) UNIT OF MEAS	(5) QTY INC IN UNIT	(6) 30 DAYS DS MAINT ALLOWANCE			(7) 30 DAYS GS MAINT ALLOWANCE			(8) 1-YR ALW PER 100 EQUIP CNTGCV	(9) DEPOT MAINT ALW PER 100 EQUIP	(10) ILLUSTRATION	
					(a) 1-20	(b) 21-50	(c) 51-100	(a) 1-20	(b) 21-50	(c) 51-100			(a) FIGURE NO.	(b) ITEM NO.
					P H	5961-985-1503	TRANSISTOR, PNP: (Q1, Q2) 2N2189 (01295)	EA	2					
P H	5905-424-9451	RESISTOR, FIXED, METAL FILM: 3830 ohms ±2%, 1/2 watt (R2) RNC60H3831FS (81349)	EA	1				*	*	*		*	4	16
P H	RESISTOR, FIXED,	DEPOSITED CARBON: (R1) RLR20C103GS (81349)	EA	1				*	*	*		*	4	17
P H	5905-491-8744	RESISTOR, FIXED, METAL FILM: 6190 ohms ±2%, 1/2 watt (R3) RNC60H6191FS (81349)	EA	1				*	*	*		*	4	18
P H	5905-629-6685	RESISTOR, FIXED, METAL FILM: 17.8k ohms ±2%, 1/2 watt (R4) RNC60HL782FS (81349)	EA	1				*	*	*		*	4	19
X2 H		SCREW, MACHINE: N80P9017C13 (08771)	EA	4									4	20
X2 H		BOARD, PW: 19B202075P1 (08771)	EA	1									4	21
X2 H	5365-919-4899	SPACER: 4037156P1 (08771)	EA	2									4	22
P H S	5805-105-7261	PC BOARD ASSEMBLY. 5493034G1 (08771)	EA	1				*	*	*		*	4	23
P F	5920-926-3105	FUSE, ENCLOSED LINK: (F1) M23419-2-005 (81349)	EA	1	*	*	*	*	*	*		*	4	24

SECTION 228B. REPAIR PARTS FOR DIRECT SUPPORT, GENERAL SUPPORT, AND DEPOT MAINTENANCE

(1) SMR CODE	(2) FEDERAL STOCK NUMBER	(3) DESCRIPTION <i>Reference Number & Mfr Code Usable On Code</i>	(4) UNIT OF MEAS	(5) QTY INC IN UNIT	(6) 30 DAYS DS MAINT ALLOWANCE			(7) 30 DAYS GS MAINT ALLOWANCE			(8) 1-YR ALW PER 100 EQUIP CNTGCV	(9) DEPOT MAINT ALW PER 100 EQUIP	(10) ILLUSTRATION	
					(a)	(b)	(c)	(a)	(b)	(c)			(a) FIGURE NO.	(b) ITEM NO.
					1-20	21-50	51-100	1-20	21-50	51-100				
P H	5920-973-8204	FUSEHOLDER: (XF1) 281001 (75915)	EA	1				*	*	*		*	4	25
P H	5905-993-2267	RESISTOR, FIXED, DEPOSITED CARBON: (R10, R11) RN65D5112F (81349)	EA	2				*	*	*		*	4	26
P H	5961-988-3991	SEMICONDUCTOR:(CR1, CR2) SC4 (14099)	EA	2				*	*	*		*	4	27
P H	5905-062-0154	RESISTOR, FIXED, DEPOSITED CARBON: (R9) RN65D3482F (81349)	EA	1				*	*	*		*	4	28
P H	5905-062-5037	RESISTOR, FIXED, DEPOSITED CARBON: (R8) RN65D5620F (81349)	EA	1				*	*	*		*	4	29
X2 H		BOARD, PW: 19B202076P1 (08771) SUPERGROUP MODULATOR/DEMODULA- TOR ASSEMBLY: 19B200691G6 (08771)	EA	1									4	30
P H	5961-984-7733	TRANSISTOR PNP: (Q101, Q102, Q103, Q104) 2N428M (81349)	EA	4				*	*	*		*	5	1
P H	5935-926-0247	SOCKET, TRANSISTOR. (XQ101, XQ102, XQ103, XQ104) 1213LL2 (91459)	EA	4				*	*	*		*	5	2

SECTION 228B. REPAIR PARTS FOR DIRECT SUPPORT, GENERAL SUPPORT, AND DEPOT MAINTENANCE

(1) SMR CODE	(2) FEDERAL STOCK NUMBER	(3) DESCRIPTION <i>Reference Number & Mfr Code Usable On Code</i>	(4) UNIT OF MEAS	(5) QTY INC IN UNIT	(6) 30 DAYS DS MAINT ALLOWANCE			(7) 30 DAYS GS MAINT ALLOWANCE			(8) 1-YR ALW PER 100 EQUIP CNTGCV	(9) DEPOT MAINT ALW PER 100 EQUIP	(10) ILLUSTRATION	
					(a)	(b)	(c)	(a)	(b)	(c)			(a) FIGURE NO.	(b) ITEM NO.
					1-20	21-50	51-100	1-20	21-50	51-100				
P H	5905-409-0398	RESISTOR, FIXED, DEPOSITED CARBON: (R121, R122, R123, R124) RNR70C1211FS (81349)	EA	4				*	*	*		*	5	3
P H	5950-954-6745	TRANSFORMER, RF: (T108) 5496769P1 (08771)	EA	1				*	*	*		*	5	4
P H	5950-960-1380	TRANSFORMER, RF: (T107) 71-1325 (06978)	EA	1				*	*	*		*	5	5
P H	5935-969-9043	CONNECTOR, RECEPTACLE:(J102, J103, J104) 27-3 (02660)	EA	3				*	*	*		*	5	6
X2 H		TERMINAL, LUG: 536 (79963)	EA	3									5	7
X2 H		STUD, ANCHOR: 216-160312-00 (02768)	EA	2									5	8
X2 H		WASHER, FIBER: 4035306P54 (08771)	EA	2									5	9
X2 H		SPACER: 7142162P77 (08771)	EA	2									5	10
X2 H		SPACER, SLEEVE. 4035111P1 (08771)	EA	2									5	11
P H		RESISTOR, FIXED, DEPOSITED CARBON: (R126, R127) RNR70C75ROFS (81349)	EA	2				*	*	*		*	5	12

SECTION 228B. REPAIR PARTS FOR DIRECT SUPPORT, GENERAL SUPPORT, AND DEPOT MAINTENANCE

(1) SMR CODE	(2) FEDERAL STOCK NUMBER	(3) DESCRIPTION <i>Reference Number & Mfr Code Usable On Code</i>	(4) UNIT OF MEAS	(5) QTY INC IN UNIT	(6) 30 DAYS DS MAINT ALLOWANCE			(7) 30 DAYS GS MAINT ALLOWANCE			(8) 1-YR ALW PER 100 EQUIP CNTGCY	(9) DEPOT MAINT ALW PER 100 EQUIP	(10) ILLUSTRATION	
					(a)	(b)	(c)	(a)	(b)	(c)			(a) FIGURE NO.	(b) ITEM NO.
					1-20	21-50	51-100	1-20	21-50	51-100				
P H	5905-227-5092	RESISTOR, FIXED, DEPOSITED CARBON: (R128) RNR70C2870FS (81349)	EA	1				*	*	*		*	5	13
P H	5905-068-8282	RESISTOR, FIXED, DEPOSITED CARBON: (R129) RN65D9IR6F (81349)	EA	1				*	*	*		*	5	14
X2 H		TERMINAL, SPLIT TYPE: 4035793P1 (08771)	EA	8									5	15
X2 H		BOARD, PW: 19B203073P1 (08771)	EA	1									5	16
X2 H		CAN: 5492941P8 (08771)	EA	1									5	17

**SECTION 229A SUPERGROUP SEND UNIT ASSEMBLY, 19C301319G3.
REPAIR PARTS FOR ORGANIZATIONAL MAINTENANCE**

(1) SMR CODE	(2) FEDERAL STOCK NUMBER	(3) DESCRIPTION <i>Reference Number & Mfr. Code Usable On Code</i>	(4) UNIT OF MEAS	(5) QTY INC IN UNIT	(6) 15-DAY ORG MAINT ALLOWANCE				(7) ILLUSTRATION	
					(a) 1-5	(b) 6-20	(c) 21-50	(d) 51-100	(a) FIGURE NO.	(b) ITEM NO.
	5805-167-1117	SUPERGROUP SEND UNIT ASSEMBLY 19C301319G3 (08771) (NO PARTS AUTHORIZED AT THE ORGANIZATIONAL MAINTENANCE LEVEL.)								

SECTION 229B. REPAIR PARTS FOR DIRECT SUPPORT, GENERAL SUPPORT, AND DEPOT MAINTENANCE

(1) SMR CODE	(2) FEDERAL STOCK NUMBER	(3) DESCRIPTION <i>Reference Number & Mfr</i> <i>Code Usable On Code</i>	(4) UNIT OF MEAS	(5) QTY INC IN UNIT	(6) 30 DAYS DS MAINT ALLOWANCE			(7) 30 DAYS GS MAINT ALLOWANCE			(8) 1-YR ALW PER 100 EQUIP CNTGCV	(9) DEPOT MAINT ALW PER 100 EQUIP	(10) ILLUSTRATION	
					(a) 1-20	(b) 21-50	(c) 51-100	(a) 1-20	(b) 21-50	(c) 51-100			(a) FIGURE NO.	(b) ITEM NO.
P F S	5805-167-1117	SUPERGROUP SEND UNIT ASSEMBLY: 19C301319G3 (08771)	EA	1	*	*	*	*	*	*		*	6	
X2 H		STRIP, FOIL: 19B203072P1 (08771)	EA	1									6	1
X2 H		STRIP, DESIGNATION: 19B203025P5 (08771)	EA	1									6	2
M H		PLATE, IDENT: (MP33) NP243378P8 (08771)	EA	1									6	3
X2 H	5305-082-3405	SCREW, DRIVE: N539P103 (08771)	EA	2									6	4
X2 H	5305-860-2275	SCREW, MACHINE: N37P9021C13 (08771)	EA	2									6	5
P F	5340-944-6037	KNOB: (MP6) 19C310121PI (08771)	EA	1	*	*	*	*	*	*		*	6	6
X2 H	5310-720-8111	NUT, CLINCH: CLA-440-1 (46384)	EA	2									6	7
P H	5340-085-0856	BUTTON, PLUG: (MP7) 207-360231-00 (02768)	EA	1				*	*	*		*	6	8
X2 H		SCREW, MACHINE: N82P13010D (08771)	EA	1									6	9
X2 H		WASHER, LOCK: N416PI3 (08771)	EA	1									6	10

SECTION 229B. REPAIR PARTS FOR DIRECT SUPPORT, GENERAL SUPPORT, AND DEPOT MAINTENANCE

(1) SMR CODE	(2) FEDERAL STOCK NUMBER	(3) DESCRIPTION <i>Reference Number & Mfr Code Usable On Code</i>	(4) UNIT OF MEAS	(5) QTY INC IN UNIT	(6) 30 DAYS DS MAINT ALLOWANCE			(7) 30 DAYS GS MAINT ALLOWANCE			(8) 1-YR ALW PER 100 EQUIP CNTGCV	(9) DEPOT MAINT ALW PER 100 EQUIP	(10) ILLUSTRATION	
					(a) 1-20	(b) 21-50	(c) 51-100	(a) 1-20	(b) 21-50	(c) 51-100			(a) FIGURE NO.	(b) ITEM NO.
					X2 H		NUT, HEX: N210P13C13 (08771)	EA	1					
X2 H		PANEL, FRONT: 5498720G30 (08771)	EA	1								6	12	
P H S	5820-907-2187	SUPERGROUP MODULATOR/DEMODULA- TOR ASSEMBLY: 19B200691G5 (08771)	EA	1				*	*	*		*	6	13
X2 H	6625-118-0295	SPRING, LEAF: 5492832PI (08771)	EA	1									6	14
P H	5935-583-2210	CONNECTOR, PLUG: (MP20) 27-1 (02660)	EA	3				*	*	*		*	6	15
M H		PLATE, IDENT: (MP19) NP239495 (08771)	EA	1									6	16
X2 H	5895-919-4901	SPRING, LEAF: 5492831P1 (08771)	EA	1									6	17
P H		FILTER, SG: (564-804 kHz) (FL101) 19C300485G3 (08771)	EA	1				*	*	*		*	6	18
X2 H		BOARD, PW: 19400383P1 (08771)	EA	1									6	19
X2 H		CAN: 5498762P1 (08771)	EA	1									6	20

SECTION 229B. REPAIR PARTS FOR DIRECT SUPPORT, GENERAL SUPPORT, AND DEPOT MAINTENANCE

(1) SMR CODE	(2) FEDERAL STOCK NUMBER	(3) DESCRIPTION <i>Reference Number & Mfr Code Usable On Code</i>	(4) UNIT OF MEAS	(5) QTY INC IN UNIT	(6) 30 DAYS DS MAINT ALLOWANCE			(7) 30 DAYS GS MAINT ALLOWANCE			(8) 1-YR ALW PER 100 EQUIP CNTGCV	(9) DEPOT MAINT ALW PER 100 EQUIP	(10) ILLUSTRATION	
					(a) 1-20	(b) 21-50	(c) 51-100	(a) 1-20	(b) 21-50	(c) 51-100			(a) FIGURE NO.	(b) ITEM NO.
					P H	5961-984-7733	SUPERGROUP MODULATOR/DEMODULATOR ASSEMBLY-19B200691G5 (08771) TRANSISTOR, PNP: (Q101, Q102, Q103, Q104) 2N428M (81349)	EA	4					
P H	5935-926-0247	SOCKET, TRANSISTOR: (XQ101, XQ102, XQ103, XQ104) 1213LL2 (91459)	EA	4				*	*	*		*	7	2
P H	5935-620-4100	CONNECTOR, RECEPTACLE: (J1, J2, J104, J105) 27-3 (02660)	EA	4				*	*	*		*	7	3
X2 H	5940-957-8234	TERMINAL, LUG: 536 (79963)	EA	2									7	4
X2 H		STUD, ANCHOR: 216-160312-00 (02768)	EA	1									7	5
X2 H		WASHER, FIBER: 403506P54 (08771)	EA	1									7	6
P H	5905-409-0398	RESISTOR, FIXED, DEPOSITED CARBON (R121, R122, R123, R124) RNR70C1211FS (81349)	EA	1				*	*	*		*	7	7
P H	5905-444-5525	RESISTOR, FIXED, DEPOSITED CARBON: (R125) RNR70C3831FS (81349)	EA	1				*	*	*		*	7	8

SECTION 229B. REPAIR PARTS FOR DIRECT SUPPORT, GENERAL SUPPORT, AND DEPOT MAINTENANCE

(1) SMR CODE	(2) FEDERAL STOCK NUMBER	(3) DESCRIPTION <i>Reference Number & Mfr Code Usable On Code</i>	(4) UNIT OF MEAS	(5) QTY INC IN UNIT	(6) 30 DAYS DS MAINT ALLOWANCE			(7) 30 DAYS GS MAINT ALLOWANCE			(8) 1-YR ALW PER 100 EQUIP CNTGCV	(9) DEPOT MAINT ALW PER 100 EQUIP	(10) ILLUSTRATION	
					(a) 1-20	(b) 21-50	(c) 51-100	(a) 1-20	(b) 21-50	(c) 51-100			(a) FIGURE NO.	(b) ITEM NO.
					P H	5950-954-6745	TRANSFORMER, RF (T108) 5496769P1 (08771)	EA	1					
P H	5950-960-1380	TRANSFORMER, RF: (T107) 71-1325 (06978)	EA	1				*	*	*		*	7	10
X2 H		TERMINAL, SPLIT TYPE: 4035793P1 (08771)	EA	8									7	11
X2 H		SPACER: 7142162P77 (08771)	EA	2									7	12
X2 H		SPACER, SLEEVE: 4035111P1 (08771)	EA	2									7	13
X2 H		BOARD, PW: 19B200676P1 (08771)	EA	1									7	14
P H		RESISTOR, FIXED, DEPOSITED CARBON: R126, R127) RNR70C75ROFS (81349)	EA	2				*	*	*		*	7	15
P H	5905-227-5092	RESISTOR, FIXED, DEPOSITED CARBON: (R128) RNR70C2870FS (81349)	EA	1				*	*	*		*	7	16
P H	5905-068-8282	RESISTOR, FIXED, DEPOSITED CARBON: (R129) RN65D19R6F (81349)	EA	1				*	*	*		*	7	17
P H	5905-111-4858	RESISTOR, FIXED COMP: (R130) RCR20G471JS (81349)	EA	1				*	*	*		*	7	17
X2 H		CAN: 5492941P9 (08771)	EA	1	7								19	70

**SECTION 230A. SUPERGROUP SEND UNIT ASSEMBLY, 19C301319G4.
REPAIR PARTS FOR ORGANIZATIONAL MAINTENANCE**

(1) SMR CODE	(2) FEDERAL STOCK NUMBER	(3) DESCRIPTION <i>Reference Number & Mfr. Code Usable On Code</i>	(4) UNIT OF MEAS	(5) QTY INC IN UNIT	(6) 15-DAY ORG MAINT ALLOWANCE				(7) ILLUSTRATION	
					(a) 1-5	(b) 6-20	(c) 21-50	(d) 51-100	(a) FIGURE NO.	(b) ITEM NO.
	5805-167-1116	SUPERGROUP SEND UNIT ASSEMBLY 19C301319G4 (08771) (NO PARTS AUTHORIZED AT THE ORGANIZATIONAL MAINTENANCE LEVEL.)								

SECTION 230B. REPAIR PARTS FOR DIRECT SUPPORT, GENERAL SUPPORT, AND DEPOT MAINTENANCE

(1) SMR CODE	(2) FEDERAL STOCK NUMBER	(3) DESCRIPTION <i>Reference Number & Mfr Code Usable On Code</i>	(4) UNIT OF MEAS	(5) QTY INC IN UNIT	(6) 30 DAYS DS MAINT ALLOWANCE			(7) 30 DAYS GS MAINT ALLOWANCE			(8) 1-YR ALW PER 100 EQUIP CNTGCV	(9) DEPOT MAINT ALW PER 100 EQUIP	(10) ILLUSTRATION	
					(a) 1-20	(b) 21-50	(c) 51-100	(a) 1-20	(b) 21-50	(c) 51-100			(a) FIGURE NO.	(b) ITEM NO.
P F S	5805-167-1116	SUPERGROUP SEND UNIT ASSEMBLY: 19C301319G4 (08771)	EA	1	*	*	*	*	*	*		*	6	
X2 H		STRIP, FOIL: 19B203072P1 (08771)	EA	1									6	1
X2 H		STRIP, DESIGNATION: 19B203025P5 (08771)	EA	1									6	2
M H		PLATE, IDENT: (MP35) NP243378P9 (08771)	EA	1									6	3
X2 H	5305-082-3405	SCREW, DRIVE: N539P103 (08771)	EA	2									6	4
X2 H	5305-860-2275	SCREW, MACHINE: N37P9021C13 (08771)	EA	2									6	5
P F	5340-944-6037	KNOB: (MP6) 19C310121PI (08771)	EA	1	*	*	*	*	*	*		*	6	6
X2 H	5310-720-8111	NUT, CLINCH: CLA-440-1 (46384)	EA	2									6	7
P H	5340-085-0856	BUTTON, PLUG: (MP7) 207-360231-00 (02768)	EA	1				*	*	*		*	6	8
X2 H		SCREW, MACHINE: N82P13010D (08771)	EA	1									6	9
X2 H		WASHER, LOCK: N416P13 (08771)	EA	1									6	10

SECTION 230B. REPAIR PARTS FOR DIRECT SUPPORT, GENERAL SUPPORT, AND DEPOT MAINTENANCE

(1) SMR CODE	(2) FEDERAL STOCK NUMBER	(3) DESCRIPTION <i>Reference Number & Mfr Code Usable On Code</i>	(4) UNIT OF MEAS	(5) QTY INC IN UNIT	(6) 30 DAYS DS MAINT ALLOWANCE			(7) 30 DAYS GS MAINT ALLOWANCE			(8) 1-YR ALW PER 100 EQUIP CNTGCV	(9) DEPOT MAINT ALW PER 100 EQUIP	(10) ILLUSTRATION	
					(a) 1-20	(b) 21-50	(c) 51-100	(a) 1-20	(b) 21-50	(c) 51-100			(a) FIGURE NO.	(b) ITEM NO.
					X2 H		NUT, HEX: N210P13C13 (08771)	EA	1					
X2 H		PANEL, FRONT: 5498720G30 (08771)	EA	1								6	12	
P H S	5820-907-2187	SUPERGROUP MODULATOR/DEMODULA- TOR ASSEMBLY: 19B200691G5 (08771)	EA	1				*	*	*		*	6	13
X2 H	6625-118-0295	SPRING, LEAF: 5492832P1 (08771)	EA	1									6	14
P H	5935-583-2210	CONNECTOR, PLUG: (MP20) 27-1 (02660)	EA	3				*	*	*		*	6	15
M H		PLATE, IDENT: (MP19) NP239495 (08771)	EA	1									6	16
X2 H	5895-919-4901	SPRING, LEAF: 5492831P1 (08771)	EA	1									6	17
P H		FILTER, SG: (FL101) 19C3004854G4 (08771)	EA	1				*	*	*		*	6	18
X2 H		BOARD, PW: 19D400383P1 (08771)	EA	1									6	19
X2 H		CAN: 5498762P1 (08771)	EA	1									6	20

SECTION 230B. REPAIR PARTS FOR DIRECT SUPPORT, GENERAL SUPPORT, AND DEPOT MAINTENANCE

(1) SMR CODE	(2) FEDERAL STOCK NUMBER	(3) DESCRIPTION <i>Reference Number & Mfr Code Usable On Code</i>	(4) UNIT OF MEAS	(5) QTY INC IN UNIT	(6) 30 DAYS DS MAINT ALLOWANCE			(7) 30 DAYS GS MAINT ALLOWANCE			(8) 1-YR ALW PER 100 EQUIP CNTGCV	(9) DEPOT MAINT ALW PER 100 EQUIP	(10) ILLUSTRATION	
					(a)	(b)	(c)	(a)	(b)	(c)			(a) FIGURE NO.	(b) ITEM NO.
					1-20	21-50	51-100	1-20	21-50	51-100				
		SUPERGROUP MODULATOR/DEMODULATOR ASSEMBLY: 19B200691G5 (08771)												
P H	5961-984-7733	TRANSISTOR, PNP: (Q101, Q102, Q103, Q104) 2N428M (81349)	EA	4				*	*	*		*	7	1
P H	5935-926-0247	SOCKET, TRANSISTOR: (XQ101, XQ102, XQ103, XQ104) 1213LL2 (91459)	EA	4				*	*	*		*	7	2
P H	5935-620-4100	CONNECTOR, RECEPTACLE: (J1, J2, J104, J105) 27-3 (02660)	EA	4				*	*	*		*	7	3
X2 H	5940-957-8234	TERMINAL, LUG: 536 (79963)	EA	2									7	4
X2 H		STUD, ANCHOR: 216-160312-00 (02768)	EA	1									7	5
X2 H		WASHER, FIBER: 403506P54 (08771)	EA	1									7	6
P H	5905-409-0398	RESISTOR, FIXED, DEPOSITED CARBON: (R121, R122, R123, R124) RNR70C1211FS (81349)	EA	4				*	*	*		*	7	7
P H	5905-444-5525	RESISTOR, FIXED, DEPOSITED CARBON: (R125) RNR70C3831FS (81349)	EA	1				*	*	*		*	7	8

SECTION 230B. REPAIR PARTS FOR DIRECT SUPPORT, GENERAL SUPPORT, AND DEPOT MAINTENANCE

(1) SMR CODE	(2) FEDERAL STOCK NUMBER	(3) DESCRIPTION <i>Reference Number & Mfr Code Usable On Code</i>	(4) UNIT OF MEAS	(5) QTY INC IN UNIT	(6) 30 DAYS DS MAINT ALLOWANCE			(7) 30 DAYS GS MAINT ALLOWANCE			(8) 1-YR ALW PER 100 EQUIP CNTGCV	(9) DEPOT MAINT ALW PER 100 EQUIP	(10) ILLUSTRATION	
					(a)	(b)	(c)	(a)	(b)	(c)			(a) FIGURE NO.	(b) ITEM NO.
					1-20	21-50	51-100	1-20	21-50	51-100				
P H	5950-954-6745	TRANSFORMER, RF: (T108) 5496769P1 (08771)	EA	1				*	*	*		*	7	9
P H	5950-960-1380	TRANSFORMER, RF: (T107) 71-1325 (06978)	EA	1				*	*	*		*	7	10
X2 H		TERMINAL, SPLIT TYPE: 4035793PI (08771)	EA	8									7	11
X2 H		SPACER: 7142162P77 (08771)	EA	2									7	12
X2 H		SPACER, SLEEVE: 4035111P1 (08771)	EA	2									7	13
X2 H		BOARD, PW: 19B200676P1 (08771)	EA	1									7	14
P H		RESISTOR, FDXED, DEPOSITED CARBON: (R126, R127) RNR70C75ROFS (81349)	EA	2				*	*	*		*	7	15
P H	5905-227-5092	RESISTOR, FIXED, DEPOSITED CARBON: (R128) RNR70C2870FS (81349)	EA	1				*	*	*		*	7	16
P H	5905-068-8282	RESISTOR, FIXED, DEPOSITED CARBON: (R129) RN65D19R6F (81349)	EA	1				*	*	*		*	7	17
P H	5905-111-4858	RESISTOR, FIXED COMP: (R130) RCR20G471JS (81349)	EA °	1				*	*	*		*	7	18
X2 H		CAN- 5492941P9 (08771)	EA	1									7	19

**SECTION 231A. SUPERGROUP HARMONIC GENERATOR ASSEMBLY, 19C301505G1.
REPAIR PARTS FOR ORGANIZATIONAL MAINTENANCE**

(1) SMR CODE	(2) FEDERAL STOCK NUMBER	(3) DESCRIPTION <i>Reference Number & Mfr. Code Usable On Code</i>	(4) UNIT OF MEAS	(5) QTY INC IN UNIT	(6) 15-DAY ORG MAINT ALLOWANCE				(7) ILLUSTRATION	
					(a) 1-5	(b) 6-20	(c) 21-50	(d) 51-100	(a) FIGURE NO.	(b) ITEM NO.
P 0	5805-174-3495 6240-944-4724	SUPERGROUP HARMONIC GENERATOR ASSEMBLY 19C301505G1 (08771) LAMP (11) 38AS13-1535 (72619)	EA	2	*	*	*	*	9	2

SECTION 231B. REPAIR PARTS FOR DIRECT SUPPORT, GENERAL SUPPORT, AND DEPOT MAINTENANCE

(1) SMR CODE	(2) FEDERAL STOCK NUMBER	(3) DESCRIPTION <i>Reference Number & Mfr Code Usable On Code</i>	(4) UNIT OF MEAS	(5) QTY INC IN UNIT	(6) 30 DAYS DS MAINT ALLOWANCE			(7) 30 DAYS GS MAINT ALLOWANCE			(8) 1-YR ALW PER 100 EQUIP CNTGCV	(9) DEPOT MAINT ALW PER 100 EQUIP	(10) ILLUSTRATION	
					(a) 1-20	(b) 21-50	(c) 51-100	(a) 1-20	(b) 21-50	(c) 51-100			(a) FIGURE NO.	(b) ITEM NO.
					P F S	5805-174-3495	SUPERGROUP HARMONIC GENERATOR ASSEMBLY: 19C301505G1 (08771)	EA	1	*			*	*
P F S	5820-881-0148	SELECTOR AMPLIFIER ASSEMBLY: (124 kHz) 5496633G1 (08771)	EA	1	*	*	*	*	*	*	*	8	1	
P F S	5820-881-0149	SELECTOR AMPLIFIER ASSEMBLY: (124 kHz) 5496633G2 (08771)	EA	1	*	*	*	*	*	*	*	8	2	
P H S	5805-198-2913	SUPERGROUP HARMONIC GENERATOR ASSEMBLY: 19C301501G1 (08771)	EA	1				*	*	*	*	8	3	
P H	5935-926-2944	CONNECTOR, PW: (J100, J101) M21097-1-055 (81349)	EA	2				*	*	*	*	8	4	
P H	5910-944-7184	CAPACITOR, FIXED, POLYESTER: 0.33 microfarad ±20%, 50 volts (C100, C102) 601PE3340-5W2 (84411)	EA	2				*	*	*	*	8	5	
P H	5910-949-5390	CAPACITOR, FIXED, POLYESTER. 0.068 microfarad ±20%, 50 volts (C101, C103) 601PE6830-5W (84411)	EA	2				*	*	*	*	8	6	
P H	5905-964-2321	RESISTOR, FIXED, DEPOSITED CARBON: (R103, R111) RNR70C1962FS (81349)	EA	2				*	*	*	*	8	7	

SECTION 231B. REPAIR PARTS FOR DIRECT SUPPORT, GENERAL SUPPORT, AND DEPOT MAINTENANCE

(1) SMR CODE	(2) FEDERAL STOCK NUMBER	(3) DESCRIPTION <i>Reference Number & Mfr Code Usable On Code</i>	(4) UNIT OF MEAS	(5) QTY INC IN UNIT	(6) 30 DAYS DS MAINT ALLOWANCE			(7) 30 DAYS GS MAINT ALLOWANCE			(8) 1-YR ALW PER 100 EQUIP CNTGCV	(9) DEPOT MAINT ALW PER 100 EQUIP	(10) ILLUSTRATION	
					(a) 1-20	(b) 21-50	(c) 51-100	(a) 1-20	(b) 21-50	(c) 51-100			(a) FIGURE NO.	(b) ITEM NO.
					P H	5905-409-0396	RESISTOR, FIXED, DEPOSITED CARBON: (R104, R112) RNR70C1002FS (81349)	EA	2					
P H	5905-402-6956	RESISTOR, FIXED, DEPOSITED CARBON: (R100, R101, R102, R108, R109, R110) RNR70C1001FS (81349)	EA	6				*	*	*		*	8	9
P H	5950-907-7607	TRANSFORMER, RF: (T102, T105) 5496661P1 (08771)	EA	2				*	*	*		*	8	10
P H	5905-993-1356	RESISTOR, FIXED, DEPOSITED CARBON: (R107) RN65D38R3F (81349)	EA	1				*	*	*		*	8	11
P H	5950-971-7734	TRANSFORMER, RF: (T100, T103) 71-1196 (06978)	EA	2				*	*	*		*	8	12
P H	5905-068-8282	RESISTOR, FIXED, DEPOSITED CARBON: (R115) RN65D19R6F (81349)	EA	1				*	*	*		*	8	13
P H	5950-088-9021	TRANSFORMER, RF: (T101) 71-1140 (06978)	EA	1				*	*	*		*	8	14
P H	5950-907-7606	TRANSFORMER, RF: (T104) 5496660P1 (08771)	EA	1				*	*	*		*	8	15
P H	5935-583-2210	CONNECTOR PLUG: (P102, P103) 27-1 (02660)	EA	2				*	*	*		*	8	16
P H	5910-944-4531	CAPACITOR, FIXED, POLYESTER: 0.047 microfarad ±20%, 50 volts (C106) 601PE4730-5W2 (84411)	EA	1				*	*	*		*	8	17

SECTION 231B. REPAIR PARTS FOR DIRECT SUPPORT, GENERAL SUPPORT, AND DEPOT MAINTENANCE

(1) SMR CODE	(2) FEDERAL STOCK NUMBER	(3) DESCRIPTION <i>Reference Number & Mfr Code Usable On Code</i>	(4) UNIT OF MEAS	(5) QTY INC IN UNIT	(6) 30 DAYS DS MAINT ALLOWANCE			(7) 30 DAYS GS MAINT ALLOWANCE			(8) 1-YR ALW PER 100 EQUIP CNTGCV	(9) DEPOT MAINT ALW PER 100 EQUIP	(10) ILLUSTRATION	
					(a) 1-20	(b) 21-50	(c) 51-100	(a) 1-20	(b) 21-50	(c) 51-100			(a) FIGURE NO.	(b) ITEM NO.
P H	5915-901-7195	FILTER ASSEMBLY: (124 kHz) (FL100) 5493637G1 (08771)	EA	1				*	*	*		*	8	18
P H	5950-901-8170	COIL: (L102) 54955890126 (08771)	EA	1				*	*	*		*	8	19
P H	5950-901-8169	COIL: (L101) 5495589G127 (08771)	EA	1				*	*	*		*	8	20
X2 H		INSULATOR: 4034499P3 (08771)	EA	1									8	21
M H		PLATE, IDENT: N239498 (08771)	EA	1									8	22
X2 H		BOARD, PRINTED WIRING: 19C301506P1 (08771)	EA	1									8	23
X2 H		INSULATOR- 5492868P2 (08771)	EA	1									8	24
P H		CAPACITOR, FIXED, MICA: 1700 picofarad +5%, 300 volts (C107) 5491871P1700J (08771)	EA	1				*	*	*		*	8	25
P H	5950-902-9004	COIL: (L103) 4035384G1 (08771)	EA	1				*	*	*		*	8	26
X2 H		INSULATOR: 4038249P1 (08771)	EA	1									8	27
P H	5905-224-7414	RESISTOR, FIXED, DEPOSITED CARBON: (R105, R113) RNR70C11ROFS (81349)	EA	2				*	*	*		*	8	28

SECTION 231B. REPAIR PARTS FOR DIRECT SUPPORT, GENERAL SUPPORT, AND DEPOT MAINTENANCE

(1) SMR CODE	(2) FEDERAL STOCK NUMBER	(3) DESCRIPTION <i>Reference Number & Mfr Code Usable On Code</i>	(4) UNIT OF MEAS	(5) QTY INC IN UNIT	(6) 30 DAYS DS MAINT ALLOWANCE			(7) 30 DAYS GS MAINT ALLOWANCE			(8) 1-YR ALW PER 100 EQUIP CNTGCY	(9) DEPOT MAINT ALW PER 100 EQUIP	(10) ILLUSTRATION	
					(a)	(b)	(c)	(a)	(b)	(c)			(a) FIGURE NO.	(b) ITEM NO.
					1-20	21-50	51-100	1-20	21-50	51-100				
P H	5905-227-5093	RESISTOR, FIXED, DEPOSITED CARBON: (R106, R114) RNR70C4222FS (81349)	EA	2				*	*	*		*	8	29
P H		CAPACITOR,. FIXED, MICA- 1500 picofarad +10%, 300 volts (C104, C105) 5491871P1500K (08771)	EA	2				*	*	*		*	8	30
X2 H	5961-933-4643	SUPPORT FRAME PB ASSEMBLY: 5498780G1 (08771)	EA	1									8	31
P F	5355-053-5698	KNOB: 19C310135P1 (08771)	EA	1	*	*	*	*	*	*		*	8	32
X2 H	5940-615-8954	FERRULE, RF CABLE: GSB071 (59730)	EA	2										
X2 H	5940-502-7688	FERRULE, RF CABLE: YOC90 (09922) SELECTOR AMPLIFIER ASSEMBLY: (124 kHz) 5496633G1 (08771)	EA	2										
X2 H	5805-086-4775	PANEL, FRONT: 5498720G12 (08771)	EA	1									9	1
P 0	6240-944-4724	LAMP: (I1) 38AS13-1535 (72619)	EA	1	*	*	*	*	*	*		*	9	2

SECTION 231B. REPAIR PARTS FOR DIRECT SUPPORT, GENERAL SUPPORT, AND DEPOT MAINTENANCE

(1) SMR CODE	(2) FEDERAL STOCK NUMBER	(3) DESCRIPTION <i>Reference Number & Mfr Code Usable On Code</i>	(4) UNIT OF MEAS	(5) QTY INC IN UNIT	(6) 30 DAYS DS MAINT ALLOWANCE			(7) 30 DAYS GS MAINT ALLOWANCE			(8) 1-YR ALW PER 100 EQUIP CNTGCY	(9) DEPOT MAINT ALW PER 100 EQUIP	(10) ILLUSTRATION	
					(a)	(b)	(c)	(a)	(b)	(c)			(a) FIGURE NO.	(b) ITEM NO.
					1-20	21-50	51-100	1-20	21-50	51-100				
P H	6250-690-1569	LAMPHOLDER: (X11) 7538 (72619)	EA	1				*	*	*		*	9	3
X2 H	5310-962-1448	NUT: 19B200854P1 (08771)	EA	1									9	4
X2 H	5310-957-8992	NUT, KNURLED: 5808-000-0012-04 (72619)	EA	1									9	5
X2 H	5310-078-8453	WASHER, LOCK: 8101-000-0012-01 (72619)	EA	1									9	6
X2 H	4310-078-8451	NUT, HEX, PLAIN: 4901-000-0012-01 (72619)	EA	1									9	7
P H	5935-973-7753	CONTACT, ELECTRICAL: 16-1266-5 (74970)	EA	6				*	*	*		*	9	8
P H	5905-461-6256	RESISTOR, FIXED, METAL FILM: 31.6k ohms ±2%, 1/2 watt (R5) RHC60H3162FS (81349)	EA	1				*	*	*		*	9	9
P H	5910-949-5390	CAPACITOR, FIXED, POLYESTER: 0.068 microfarad ±20%, 50 volts (C1 C7, C9, C10) 601PE6830-5W (84411)	EA	4				*	*	*		*	9	10
P H	5905-462-5673	RESISTOR, FIXED, METAL FILM: 1780 ohms ±2%, 1/2 watt (R4) RNC60H1781FS (81349)	EA	1				*	*	*		*	9	11
P H	5905-138-3378	RESISTOR, FIXED, METAL FILM: 90.9 ohms ±2%, 1/2 watt (R1) RNC60o90R9FS (81349)	EA	1				*	*	*		*	9	12

SECTION 231B. REPAIR PARTS FOR DIRECT SUPPORT, GENERAL SUPPORT, AND DEPOT MAINTENANCE

(1) SMR CODE	(2) FEDERAL STOCK NUMBER	(3) DESCRIPTION <i>Reference Number & Mfr Code Usable On Code</i>	(4) UNIT OF MEAS	(5) QTY INC IN UNIT	(6) 30 DAYS DS MAINT ALLOWANCE			(7) 30 DAYS GS MAINT ALLOWANCE			(8) 1-YR ALW PER 100 EQUIP CNTGCV	(9) DEPOT MAINT ALW PER 100 EQUIP	(10) ILLUSTRATION	
					(a)	(b)	(c)	(a)	(b)	(c)			(a) FIGURE NO.	(b) ITEM NO.
					1-20	21-50	51-100	1-20	21-50	51-100				
P H	5905-471-6255	RESISTOR, FIXED, METAL FILM: 3160 ohms ±2%, 1/2 watt (R14) RNC60H3161FS (81349)	EA	1				*	*	*		*	9	13
P H	5910-085-2794	CAPACITOR, FIXED, POLYESTER: 0.22 microfarad ±20%, 50 volts (C8) 601PE2245R50W (84411)	EA	1				*	*	*		*	9	14
P H	5961-781-1011	TRANSISTOR, PNP: (Q4) 2N598 (81349)	EA	1				*	*	*		*	9	15
X2 H	5805-085-7218	WASHER, INSULATING: 4036555P1 (08771)	EA	3									9	16
P H	5905-175-8541	RESISTOR, FIXED, METAL FILM: 422 ohms ±2%, 1/2 watt (R16) RNC60H4220FS (81349)	EA	1				*	*	*		*	9	17
P H		RESISTOR, FIXED, METAL FILM: (R18) RLR20C752GS (81349)	EA	1				*	*	*		*	9	18
P H	5950-922-7729	COIL, RF: (L1) 2950-13 (99800)	EA	1				*	*	*		*	9	19
P F	5920-902-8530	FUSE, ENCLOSED LINK: (F1) 272-100 (75915)	EA	1	*	*	*	*	*	*		*	9	20
P H	5920-973-8204	FUSEHOLDER: (XF1) 281001 (75915)	EA	1				*	*	*		*	9	21
P H	5961-669-6884	SEMICONDUCTOR: (CR3) JAN277 (81349)	EA	1				*	*	*		*	9	22

SECTION 231B REPAIR PARTS FOR DIRECT SUPPORT, GENERAL SUPPORT, AND DEPOT MAINTENANCE

(1) SMR CODE	(2) FEDERAL STOCK NUMBER	(3) DESCRIPTION <i>Reference Number & Mfr Code Usable On Code</i>	(4) UNIT OF MEAS	(5) QTY INC IN UNIT	(6) 30 DAYS DS MAINT ALLOWANCE			(7) 30 DAYS GS MAINT ALLOWANCE			(8) 1-YR ALW PER 100 EQUIP CNTGCV	(9) DEPOT MAINT ALW PER 100 EQUIP	(10) ILLUSTRATION	
					(a) 1-20	(b) 21-50	(c) 51-100	(a) 1-20	(b) 21-50	(c) 51-100			(a) FIGURE NO.	(b) ITEM NO.
					P H	5905-828-2454	RESISTOR, FIXED, METAL FILM. 511k ohms ±2%, 1/2 watt (R9, R11) BRC60H5113FR (81349)	EA	2					
P H		RESISTOR, FIXED, METAL FILM: (R13) RLR20C903GS (81349)	EA	1				*	*	*		*	9	24
P H	5910-964-1346	CAPACITOR, FIXED, POLYESTER: 0.1 microfarad ±20%, 50 volts (C11, C12) 601PE1040-5W2 (84411)	EA	2				*	*	*		*	9	25
P H	5961-995-2903	TRANSISTOR, PNP: (Q5) 2N1397 (80131)	EA	1				*	*	*		*	9	26
P H	5961-060-1655	TRANSISTOR, PNP: (Q2) 2N398B (03603)	EA	1				*	*	*		*	9	27
P H	5905-403-3156	RESISTOR, FIXED, METAL FILM: 5110 ohms ±2%, 1/2 watt (R19) RNC60H5111FS (81349)	EA	1				*	*	*		*	9	28
P H		RESISTOR, FIXED, METAL FILM- (R17) RLR20C682GS (81349)	EA	1				*	*	*		*	9	29
P H	5905-483-4128	RESISTOR, FIXED, METAL FILM: 2150 ohms ±2%, 1/2 watt (R20) RNC60H2151FS (81349)	EA	1				*	*	*		*	9	30
P H	5910-085-2730	CAPACITOR, FIXED, POLYESTER: 0.33 microfarad ±20%, 50 volts (C2) 601PE3345R50W (84411)	EA	1				*	*	*		*	9	31

SECTION 231B. REPAIR PARTS FOR DIRECT SUPPORT, GENERAL SUPPORT, AND DEPOT MAINTENANCE

(1) SMR CODE	(2) FEDERAL STOCK NUMBER	(3) DESCRIPTION <i>Reference Number & Mfr Code Usable On Code</i>	(4) UNIT OF MEAS	(5) QTY INC IN UNIT	(6) 30 DAYS DS MAINT ALLOWANCE			(7) 30 DAYS GS MAINT ALLOWANCE			(8) 1-YR ALW PER 100 EQUIP CNTGCV	(9) DEPOT MAINT ALW PER 100 EQUIP	(10) ILLUSTRATION	
					(a) 1-20	(b) 21-50	(c) 51-100	(a) 1-20	(b) 21-50	(c) 51-100			(a) FIGURE NO.	(b) ITEM NO.
P H	5905-471-2261	RESISTOR, FIXED, METAL FILM: 909 ohms ±2%, 1/2 watt (R15) RNC60H9090FS (81349)	EA	1				*	*	*		*	9	32
P H	5910-944-4697	CAPACITOR, FIXED, POLYESTER: 0.15 microfarad ±20%, 50 volts (C4) 601PE1540-5W (84411)	EA	1				*	*	*		*	9	33
P H	5961-856-6308	SEMICONDUCTOR: (CR4) SSD753 (13715)	EA	1				*	*	*		*	9	34
X2 H	5805-086-4776	BOARD, PW: 19B201975P1 (08771)	EA	1									9	35
A H S		HEATSINK ASSEMBLY. 4035501G1 (08771)	EA	1									9	36
X2 H	5365-919-4899	SPACER: 4037156P1 (08771)	EA	2									9	37
X2 H		SCREW, MACHINE: N80P9017C13 (08771)	EA	4									9	38
X2 H		PLATE, HEATSINK: 4035472P1 (08771)	EA	1									9	39
X2 H		INSULATOR: 4035544P1 (08771)	EA	1									9	40
X2 H		HEATSINK: 4035473P1 (08771)	EA	1									9	41
X2 H	5330-913-2436	INSULATOR, BUSHING: 2151 (83330)	EA	6									9	42

SECTION 231B. REPAIR PARTS FOR DIRECT SUPPORT, GENERAL SUPPORT, AND DEPOT MAINTENANCE

(1) SMR CODE	(2) FEDERAL STOCK NUMBER	(3) DESCRIPTION <i>Reference Number & Mfr Code Usable On Code</i>	(4) UNIT OF MEAS	(5) QTY INC IN UNIT	(6) 30 DAYS DS MAINT ALLOWANCE			(7) 30 DAYS GS MAINT ALLOWANCE			(8) 1-YR ALW PER 100 EQUIP CNTGCTY	(9) DEPOT MAINT ALW PER 100 EQUIP	(10) ILLUSTRATION	
					(a) 1-20	(b) 21-50	(c) 51-100	(a) 1-20	(b) 21-50	(c) 51-100			(a) FIGURE NO.	(b) ITEM NO.
P H	5961-892-3502	TRANSISTOR, NPN: (Q3) 2N497 (81349)	EA	1				*	*	*		*	9	43
X2 H		SCREW, MACHINE: N80P9020C13 (08771)	EA	1									9	44
		SELECTOR AMPLIFIER ASSEMBLY: (124 kHz) 5496633G2 (08771)												
X2 H	5805-983-0371	PANEL, FRONT: 5498720G11 (08771)	EA	1									9	1
P 0	6240-944-4724	LAMP: (11) 38AS13-1535 (72619)	EA	1	*	*	*	*	*	*		*	9	2
P H	6250-690-1569	LAMPHOLDER: (X1) 7538 (72619)	EA	1				*	*	*		*	9	3
X2 H	5310-962-1448	NUT: 19B200854PI (08771)	EA	1									9	4
X2 H	5310-957-8992	NUT, KNURLED: 5808-000-0012-04 (72619)	EA	1									9	5
X2 H	5310-078-8453	WASHER, LOCK: 8101-000-0012-01 (72619)	EA	1									9	6
X2 H	4310-078-8451	NUT, HEX, PLAIN: 4901-000-0012-01 (72619)	EA	1									9	7

SECTION 231B REPAIR PARTS FOR DIRECT SUPPORT, GENERAL SUPPORT, AND DEPOT MAINTENANCE

(1) SMR CODE	(2) FEDERAL STOCK NUMBER	(3) DESCRIPTION <i>Reference Number & Mfr Code Usable On Code</i>	(4) UNIT OF MEAS	(5) QTY INC IN UNIT	(6) 30 DAYS DS MAINT ALLOWANCE			(7) 30 DAYS GS MAINT ALLOWANCE			(8) 1-YR ALW PER 100 EQUIP CNTGCTY	(9) DEPOT MAINT ALW PER 100 EQUIP	(10) ILLUSTRATION	
					(a)	(b)	(c)	(a)	(b)	(c)			(a) FIGURE NO.	(b) ITEM NO.
					1-20	21-50	51-100	1-20	21-50	51-100				
P H	5935-973-7753	CONTACT, ELECTRICAL: 16-1266-5 (74970)	EA	6				*	*	*		*	9	8
P H	5905-461-6256	RESISTOR, FIXED, METAL FILM: 31.6k ohms ±2%, 1/2 watt (R5) RNC60H3162FS (81349)	EA	1				*	*	*		*	9	9
P H	5910-949-5390	CAPACITOR, FIXED, POLYESTER: 0.068 microfarad ±20%, 50 volts (C1, C7, C9, C10) 601PE6830-5W (84411)	EA	4				*	*	*		*	9	10
P H	5905-462-5673	RESISTOR, FIXED, METAL FILM: 1780 ohms ±2%, 1/2 watt (R4) luC60H1781FS (81349)	EA	1				*	*	*		*	9	11
P H	5905-138-3378	RESISTOR, FIXED, METAL FILM: 90.9 ohms ±2%, 1/2 watt (R1) RNC60H9OR9FS (81349)	EA	1				*	*	*		*	9	12
P H	5905-471-6255	RESISTOR, FIXED, METAL FILM: 3160 ohms ±2%, 1/2 watt (R14) RNC60H3161FS (81349)	EA	1				*	*	*		*	9	13
P H	5910-085-2794	CAPACITOR, FIXED, POLYESTER: 0.22 microfarad ±20%, 50 volts (C8) 601PE2245R50W (84411)	EA	1				*	*	*		*	9	14
P H	5961-781-1011	TRANSISTOR, PNP: (Q4) 2N598 (81349)	EA	1				*	*	*		*	9	15
X2 H	5805-085-7218	WASHER, INSULATING- 4036555P1 (08771)	EA	3									9	16

SECTION 231B. REPAIR PARTS FOR DIRECT SUPPORT, GENERAL SUPPORT, AND DEPOT MAINTENANCE

(1) SMR CODE	(2) FEDERAL STOCK NUMBER	(3) DESCRIPTION <i>Reference Number & Mfr Code Usable On Code</i>	(4) UNIT OF MEAS	(5) QTY INC IN UNIT	(6) 30 DAYS DS MAINT ALLOWANCE			(7) 30 DAYS GS MAINT ALLOWANCE			(8) 1-YR ALW PER 100 EQUIP CNTGCV	(9) DEPOT MAINT ALW PER 100 EQUIP	(10) ILLUSTRATION	
					(a) 1-20	(b) 21-50	(c) 51-100	(a) 1-20	(b) 21-50	(c) 51-100			(a) FIGURE NO.	(b) ITEM NO.
P H	5905-175-8541	RESISTOR, FIXED, METAL FILM: 422 ohms ±%, 1/2 watt (R16) RNC60H4220FS (81349)	EA	1				*	*	*		*	9	17
P H		RESISTOR, FIXED, METAL FILM: (R18) RLR20C752GS (81349)	EA	1				*	*	*		*	9	18
P H	5950-922-7729	COIL, RF: (L1) 2950-13 (99800)	EA	1				*	*	*		*	9	19
P F	5920-902-8530	FUSE, ENCLOSED LINK: (F1) 272-100 (75915)	EA	1	*	*	*	*	*	*		*	9	20
P H	5920-973-8204	FUSEHOLDER: (XF1) 281001 (75915)	EA	1				*	*	*		*	9	21
P H	5961-669-6884	SEMICONDUCTOR- (CR3) N277 (81349)	EA	1				*	*	*		*	9	22
P H	5905-828-2454	RESISTOR, FIXED, METAL FILM- 1k ohms ±%, 1/2 watt (R9, R11) C60H5113FR (81349)	EA	2				*	*	*		*	9	23
P H		ESISTOR, FIXED, METAL FILM: (R13) R20C903GS (81349)	EA	1				*	*	*		*	9	24
P H	5910-964-1346	CAPACITOR, FIXED, POLYESTER: 1 microfarad ±0%, 50 volts (C11, C12) 1PE1040-5W2 (84411)	EA	2				*	*	*		*	9	25
P H	5961-995-2903	TRANSISTOR, PNP (Q5) 1397 (80131)	EA	1				*	*	*		*	9	26

SECTION 231B. REPAIR PARTS FOR DIRECT SUPPORT, GENERAL SUPPORT, AND DEPOT MAINTENANCE

(1) SMR CODE	(2) FEDERAL STOCK NUMBER	(3) DESCRIPTION <i>Reference Number & Mfr Code Usable On Code</i>	(4) UNIT OF MEAS	(5) QTY INC IN UNIT	(6) 30 DAYS DS MAINT ALLOWANCE			(7) 30 DAYS GS MAINT ALLOWANCE			(8) 1-YR ALW PER 100 EQUIP CNTGCV	(9) DEPOT MAINT ALW PER 100 EQUIP	(10) ILLUSTRATION	
					(a) 1-20	(b) 21-50	(c) 51-100	(a) 1-20	(b) 21-50	(c) 51-100			(a) FIGURE NO.	(b) ITEM NO.
					P H	5961-060-1655	TRANSISTOR, PNP: (Q2) 2N398B (03603)	EA	1					
P H	5905-403-3156	RESISTOR, FIXED, METAL FILM: 5110 ohms ±2%, 1/2 watt (R19) RNC60H5111FS (81349)	EA	1				*	*	*		*	9	28
P H		RESISTOR, FIXED, METAL FILM: (R17) RLR20C682GS (81349)	EA	1				*	*	*		*	9	29
P H	5905-483-4128	RESISTOR, FIXED, METAL FILM: 2150 ohms ±2%, 1/2 watt (R20) RNC60H2151FS (81349)	EA	1				*	*	*		*	9	30
P H	5910-085-2730	CAPACITOR, FIXED, POLYESTER- 0.33 microfarad ±20%, 50 volts (C2) 601PE3345R50W (84411)	EA	1				*	*	*		*	9	31
P H	5905-471-2261	RESISTOR, FIXED, METAL FILM: 909 ohms ±2%, 1/2 watt (R15) INC60H9090FS 981349)	EA	1				*	*	*		*	9	32
P H	5910-944-4697	CAPACITOR, FIXED, POLYESTER: 0.15 microfarad ±20%, 50 volts (C4) 601PE1540-5W (84411)	EA	1				*	*	*		*	9	33
P H	5961-856-6308	SEMICONDUCTOR: (CR4) SSD753 (13715)	EA	1				*	*	*		*	9	34
X2 H	5805-086-4776	BOARD, PW: 19B201975P1 (08771)	EA	1									9	35
A H S		HEATSINK ASSEMBLY: 4035501G1 (08771)	EA	1									9	36

SECTION 231B. REPAIR PARTS FOR DIRECT SUPPORT, GENERAL SUPPORT, AND DEPOT MAINTENANCE

(1) SMR CODE	(2) FEDERAL STOCK NUMBER	(3) DESCRIPTION <i>Reference Number & Mfr Code Usable On Code</i>	(4) UNIT OF MEAS	(5) QTY INC IN UNIT	(6) 30 DAYS DS MAINT ALLOWANCE			(7) 30 DAYS GS MAINT ALLOWANCE			(8) 1-YR ALW PER 100 EQUIP CNTGCV	(9) DEPOT MAINT ALW PER 100 EQUIP	(10) ILLUSTRATION	
					(a) 1-20	(b) 21-50	(c) 51-100	(a) 1-20	(b) 21-50	(c) 51-100			(a) FIGURE NO.	(b) ITEM NO.
X2 H	5365-919-4899	SPACER: 4037156P1 (08771)	EA	2									9	37
X2 H		SCREW, MACHINE: N80P9017C13 (08771)	EA	4									9	38
X2 H		PLATE, HEATSINK: 4035472P1 (08771)	EA	1									9	39
X2 H		INSULATOR: 4035544P1 (08771)	EA	1									9	40
X2 H		HEATSINK: 4035473P1 (08771)	EA	1									9	41
X2 H	5330-913-2436	INSULATOR, BUSHING: 2151 (83330)	EA	6									9	42
P H	5961-892-3502	TRANSISTOR, NPN: (Q3) 2N497 (81349)	EA	1				*	*	*		*	9	43
X2 H		SCREW, MACHINE: N80P9020C13 (08771)	EA	1									9	44

**SECTION 232A SUPERGROUP CARRIER SELECTOR UNIT ASSEMBLY, 19C301513G1.
REPAIR PARTS FOR ORGANIZATIONAL MAINTENANCE**

(1) SMR CODE	(2) FEDERAL STOCK NUMBER	(3) DESCRIPTION <i>Reference Number & Mfr. Code Usable On Code</i>	(4) UNIT OF MEAS	(5) QTY INC IN UNIT	(6) 15-DAY ORG MAINT ALLOWANCE				(7) ILLUSTRATION	
					(a) 1-5	(b) 6-20	(c) 21-50	(d) 51-100	(a) FIGURE NO.	(b) ITEM NO.
P 0	6240-944-4724	SUPERGROUP CARRIER SELECTOR UNIT ASSEMBLY - 1116 KHz 19C301513G1 (08771) LAMP (11) 38AS13-1535 (72619)	EA	2	*	*	*	*	11	6

SECTION 232B. REPAIR PARTS FOR DIRECT SUPPORT, GENERAL SUPPORT, AND DEPOT MAINTENANCE

(1) SMR CODE	(2) FEDERAL STOCK NUMBER	(3) DESCRIPTION <i>Reference Number & Mfr Code Usable On Code</i>	(4) UNIT OF MEAS	(5) QTY INC IN UNIT	(6) 30 DAYS DS MAINT ALLOWANCE			(7) 30 DAYS GS MAINT ALLOWANCE			(8) 1-YR ALW PER 100 EQUIP CNTGCV	(9) DEPOT MAINT ALW PER 100 EQUIP	(10) ILLUSTRATION	
					(a) 1-20	(b) 21-50	(c) 51-100	(a) 1-20	(b) 21-50	(c) 51-100			(a) FIGURE NO.	(b) ITEM NO.
P F S		SUPERGROUP CARRIER SELECTOR UNIT ASSEMBLY: (1116 kHz) 19C301513G1 (08771)	EA	1	*	*	*	*	*	*		*	10	
P F S	5820-997-6198	AMPLIFIER ASSEMBLY, SUPERGROUP CARRIER SELECTOR: 19C310845G1 (08771).	EA	1				*	*	*		*	10	1
P F S	5805-876-9572	AMPLIFIER ASSEMBLY, SUPERGROUP CARRIER SELECTOR- 19C310845G2 (08771)	EA	1				*	*	*		*	10	2
P H S	5895-942-9995	SUPERGROUP CARRIER SELECTOR ASSEMBLY: 19C301510G1 (08771)	EA	1				*	*	*		*	10	3
P H	5935-926-2944	CONNECTOR, PW: (J100, J101) M21097-1-055 (81349)	EA	2				*	*	*		*	10	4
X2 H		NUT: 4029846P1 (08771)	EA	4									10	5
P H	5950-902-2773	TRANSFORMER, RF- (T101, T104) 71-1252 (06978)	EA	2				*	*	*		*	10	6
P H	5910-944-4678	CAPACITOR, FIXED, POLYESTER: 0.33 microfarad ±20%, 50 volts (C102, C105) 601PE3340-5W2 (84411)	EA	2				*	*	*		*	10	7
P H	5950-995-2886	TRANSFORMER, RF: (T102, T105) 71-1326 (06978)	EA	2				*	*	*		*	10	8

SECTION 232B. REPAIR PARTS FOR DIRECT SUPPORT, GENERAL SUPPORT, AND DEPOT MAINTENANCE

(1) SMR CODE	(2) FEDERAL STOCK NUMBER	(3) DESCRIPTION <i>Reference Number & Mfr Code Usable On Code</i>	(4) UNIT OF MEAS	(5) QTY INC IN UNIT	(6) 30 DAYS DS MAINT ALLOWANCE			(7) 30 DAYS GS MAINT ALLOWANCE			(8) 1-YR ALW PER 100 EQUIP CNTGCV	(9) DEPOT MAINT ALW PER 100 EQUIP	(10) ILLUSTRATION	
					(a)	(b)	(c)	(a)	(b)	(c)			(a) FIGURE NO.	(b) ITEM NO.
					1-20	21-50	51-100	1-20	21-50	51-100				
P H	5905-993-1356	RESISTOR, FIXED, DEPOSITED CARBON (R120, R121) RN65D38R3F (81349)	EA	2				*	*	*		*	10	9
P H	5905-764-9783	RESISTOR, FIXED, DEPOSITED CARBON: (R106, R116) N65D42R2F (81349)	EA	2				*	*	*		*	10	10
P H	5905-068-8282	RESISTOR, FIXED, DEPOSITED CARBON- (R107, R117) RN65D19R6F (81349)	EA	2				*	*	*		*	10	11
P H		RESISTOR, FIXED, DEPOSITED CARBON: (R108, R118) RNR70C1621FS (81349)	EA	2				*	*	*		*	10	12
P H		RESISTOR, FIXED, DEPOSITED CARBON: 82. 5k ohms ±1%, 1/2 watt (R109, R119) 5495948P389 (08771)	EA	2				*	*	*		*	10	13
P H	5905-409-0396	RESISTOR, FIXED, DEPOSITED CARBON: (R105, R115) RNR70C1002FS (81349)	EA	2				*	*	*		*	10	14
P H		RESISTOR, FIXED, DEPOSITED CARBON: (R104, R114) RNR70C1962FS (81349)	EA	2				*	*	*		*	10	15
P H		RESISTOR, FIXED, DEPOSITED CARBON: (R101, R102, R103, R11, R112, R113) RNR70C7500FS (81349)	EA	6				*	*	*		*	10	16
^c P H		RESISTOR, FIXED, DEPOSITED CARBON: (R122, R123) RNR70C750FS (81349)	EA	2				*	*	*		*	10	17

SECTION 232B REPAIR PARTS FOR DIRECT SUPPORT, GENERAL SUPPORT, AND DEPOT MAINTENANCE

(1) SMR CODE	(2) FEDERAL STOCK NUMBER	(3) DESCRIPTION <i>Reference Number & Mfr Code Usable On Code</i>	(4) UNIT OF MEAS	(5) QTY INC IN UNIT	(6) 30 DAYS DS MAINT ALLOWANCE			(7) 30 DAYS GS MAINT ALLOWANCE			(8) 1-YR ALW PER 100 EQUIP CNTGCV	(9) DEPOT MAINT ALW PER 100 EQUIP	(10) ILLUSTRATION	
					(a) 1-20	(b) 21-50	(c) 51-100	(a) 1-20	(b) 21-50	(c) 51-100			(a) FIGURE NO.	(b) ITEM NO.
P H	5950-958-4942	COIL, RF: (L100) 7488079P10 (08771)	EA	1				*	*	*		*	10	18
P H	RESISTOR, FIXED,	DEPOSITED CARBON: 51.1 ohms :±1%, 1/2 watt (RI100) 5495948P69 (08771)	EA	1				*	*	*		*	10	19
M H		PLATE, IDENTIFICATION: NP239503 (08771)	EA	1									10	20
P H	5915-087-2235	FILTER ASSEMBLY, SELECTOR: (1116 kHz) (FL101) 5492948G1 (08771)	EA	1				*	*	*		*	10	21
P H	5935-583-2210	CONNECTOR, PLUG: (P102, P103) 27-1 (02660)	EA	2				*	*	*		*	10	22
X2 H		BOARD, PW: 19C301516PI (08771)	EA	1								10	23	
P H		CAPACITOR, FIXED, MICA: (C106, C107) CMRO1E680J3S (81349)	EA	2				*	*	*		*	10	24
P H	5910-	CAPACITOR, FIXED, POLYESTER: 0.22 microfarad ±20%, 50 volts (C100, C103) 601PE2240-5W2 (84411)	EA	2				*	*	*		*	10	25
P H	5950-995-1770	TRANSFORMER, RF: (T100, T103) 71-1251 (06978)	EA	2				*	*	*		*	10	26
P H	5910-964-1346	CAPACITOR, FIXED, POLYESTER: 0.1 microfarad ±20%, 50 volts (C101, C104) 601PE1040-5W2 (84411)	EA	2				*	*	*		*	10	27

SECTION 232B. REPAIR PARTS FOR DIRECT SUPPORT, GENERAL SUPPORT, AND DEPOT MAINTENANCE

(1) SMR CODE	(2) FEDERAL STOCK NUMBER	(3) DESCRIPTION <i>Reference Number & Mfr Code Usable On Code</i>	(4) UNIT OF MEAS	(5) QTY INC IN UNIT	(6) 30 DAYS DS MAINT ALLOWANCE			(7) 30 DAYS GS MAINT ALLOWANCE			(8) 1-YR ALW PER 100 EQUIP CNTGCV	(9) DEPOT MAINT ALW PER 100 EQUIP	(10) ILLUSTRATION	
					(a) 1-20	(b) 21-50	(c) 51-100	(a) 1-20	(b) 21-50	(c) 51-100			(a) FIGURE NO.	(b) ITEM NO.
P F	5355-053-5698	KNOB: 19C310135P1 (08771)	EA	1	*	*	*	*	*	*		*	10	28
P H	5905-959-8340	ATTENUATOR, VARIABLE, BRIDGED TEE- (AT100) 5495971P1 (08771)	EA	1				*	*	*		*	10	29
X2 H		SUPPORT FRAME ASSEMBLY: 5498780G1 (08771)	EA	1									10	30
X2 H	5940-615-8954	FERRULE, RF- GSB071 (59730)	EA	10										
X2 H	5940-502-7688	FERRULE, RF: YOC90 (09922)	EA	10										
		AMPLIFIER ASSEMBLY, SUPERGROUP CARRIER SELECTOR: 19C310845G1 (08771)												
M H		PLATE, IDENTIFICATION: NP243378P8 (08771)	EA	1									11	1
M H		PLATE, IDENTIFICATION: NP248782P18 (08771)	EA	1									11	2
P H	5935-973-7753	CONTACT, ELECTRICAL. (TP1, TP2, TP3, TP4) 16-1266-5 (74970)	EA	4				*	*	*		*	11	3
X2 H	5805-086-4775	PANEL, FRONT: 5498720G12 (08771)	EA	1									11	4

SECTION 232B. REPAIR PARTS FOR DIRECT SUPPORT, GENERAL SUPPORT, AND DEPOT MAINTENANCE

(1) SMR CODE	(2) FEDERAL STOCK NUMBER	(3) DESCRIPTION <i>Reference Number & Mfr Code Usable On Code</i>	(4) UNIT OF MEAS	(5) QTY INC IN UNIT	(6) 30 DAYS DS MAINT ALLOWANCE			(7) 30 DAYS GS MAINT ALLOWANCE			(8) 1-YR ALW PER 100 EQUIP CNTGCV	(9) DEPOT MAINT ALW PER 100 EQUIP	(10) ILLUSTRATION	
					(a) 1-20	(b) 21-50	(c) 51-100	(a) 1-20	(b) 21-50	(c) 51-100			(a) FIGURE NO.	(b) ITEM NO.
X2 H	5310-962-1448	NUT: 19B200854P1 (08771)	EA	1									11	5
P 0	6240-944-4724	LAMP- (11) 38AS13-1535 (72619)	EA	1	*	*	*	*	*	*		*	11	6
X2 H	5310-957-8992	NUT, KNURLED: 5808-000-0012-04 (72619)	EA	1									11	7
X2 H	5310-078-8453	WASHER, LOCK: 8101-000-0012-01 (72619)	EA	1									11	8
X2 H	4310-078-8451	NUT, PLAIN, HEX: 4901-000-0012-01 (72619)	EA	1									11	9
P H	6250-690-1569	LAMPHOLDER (X11) 7538 (72619)	EA	1				*	*	*		*	11	10
X2 H	5805-085-7231	BOARD, DUMMY PLATE: 4034555P1 (08771)	EA	1									11	11
X2 H		SCREW, MACHINE: N80P9017C13 (08771)	EA	4									11	12
X2 H	5365-919-4899	SPACER: 4037156P1 (08771)	EA	4									11	13
P H	5961-865-6308	SEMICONDUCTOR: (CR1) SSD753 (13715)	EA	1				*	*	*		*	11	14
P H	5961-669-6884	SEMICONDUCTOR: (CR2) JAN277 (81349)	EA	1				*	*	*		*	11	15

SECTION 232B. REPAIR PARTS FOR DIRECT SUPPORT, GENERAL SUPPORT, AND DEPOT MAINTENANCE

(1) SMR CODE	(2) FEDERAL STOCK NUMBER	(3) DESCRIPTION <i>Reference Number & Mfr Code Usable On Code</i>	(4) UNIT OF MEAS	(5) QTY INC IN UNIT	(6) 30 DAYS DS MAINT ALLOWANCE			(7) 30 DAYS GS MAINT ALLOWANCE			(8) 1-YR ALW PER 100 EQUIP CNTGCTY	(9) DEPOT MAINT ALW PER 100 EQUIP	(10) ILLUSTRATION	
					(a) 1-20	(b) 21-50	(c) 51-100	(a) 1-20	(b) 21-50	(c) 51-100			(a) FIGURE NO.	(b) ITEM NO.
P H		TRANSISTOR, PNP. (Q1) 2N398B (03603)	EA	1				*	*	*		*	11	16
P H	5905-828-2454	RESISTOR, FIXED, METAL FILM 511k ohms ±2%, 1/2 watt (R4, R5) RNC60H5113FR (81349)	EA	2				*	*	*		*	11	17
P H		RESISTOR, FIXED, METAL FILM: (R6) RLR20C903GS (81349)	EA	1				*	*	*		*	11	18
P H	5905-256-5065	RESISTOR, FIXED, METAL FILM- 511 ohms ±2%, 1/2 watt (R9) RNC60H5110FS (81349)	EA	1				*	*	*		*	11	19
P H	5910-949-5390	CAPACITOR, FIXED, POLYESTER- (C1, C5, C6, C7) CK1OBX153M (81349)	EA	4				*	*	*		*	11	20
P H	5905-424-9451	RESISTOR, FIXED, METAL FILM: 3830 ohms ±2%, 1/2 watt (R7, R8) RNC60H3831FS (81349)	EA	2				*	*	*		*	11	21
P H	5961-059-4464	TRANSISTOR, NPN: (Q2) 2N2218A (03508)	EA	1				*	*	*		*	11	22
X2 H	5805-085-7218	WASHER, INSULATING: 4036555P1 (08771)	EA	2									11	23
P H	5961-716-9426	HEATSINK, TRANSISTOR: 3AL-635-2R (07387)	EA	1				*	*	*		*	11	24
0: P H	5905-409-7252	RESISTOR, FIXED, METAL FILM: 2610 ohms ±2%, 1/2 watt (R10) RNC60H2611FS (81349)	EA	1				*	*	*		*	11	25

SECTION 232B. REPAIR PARTS FOR DIRECT SUPPORT, GENERAL SUPPORT, AND DEPOT MAINTENANCE

(1) SMR CODE	(2) FEDERAL STOCK NUMBER	(3) DESCRIPTION <i>Reference Number & Mfr Code Usable On Code</i>	(4) UNIT OF MEAS	(5) QTY INC IN UNIT	(6) 30 DAYS DS MAINT ALLOWANCE			(7) 30 DAYS GS MAINT ALLOWANCE			(8) 1-YR ALW PER 100 EQUIP CNTGCV	(9) DEPOT MAINT ALW PER 100 EQUIP	(10) ILLUSTRATION	
					(a) 1-20	(b) 21-50	(c) 51-100	(a) 1-20	(b) 21-50	(c) 51-100			(a) FIGURE NO.	(b) ITEM NO.
P H	6615-391-0372	TRANSISTOR, PNP: (Q3, Q4) 2N3906 (81349)	EA	2				*	*	*		*	11	26
P H	5905-005-2683	RESISTOR, FIXED, METAL FILM: 61.9 ohms ±2%, 1/2 watt (R1) RNC60o61R9FS (81349)	EA	1				*	*	*		*	11	27
P H	5905-184-7794	RESISTOR, FIXED, METAL FILM: 8250 ohms ±2%, 1/2 watt (R12) RNC6018251FS (81349)	EA	1				*	*	*		*	11	28
P H	5910-964-1346	CAPACITOR, FIXED, POLYESTER: 0.1 microfarad ±20%, 50 volts (C9)	EA	1				*	*	*		*	11	29
P H	5950-922-7729	COIL, RF: (LI) 2950-13 (99800)	EA	1				*	*	*		*	11	30
P F	5920-902-8530	FUSE, ENCLOSED LINK: (F1) 272-100 (75915)	EA	1	*	*	*	*	*	*		*	11	31
P H	5920-973-8204	FUSEHOLDER: (XF1) 281001 (75915)	EA	1				*	*	*		*	11	32
P H	CAPACITOR, FIXED, MICA-	27 picofarad ±5%, 500 volts (C10) DM15E270J0500V (72136)	EA	1				*	*	*		*	11	33
P H	5905-462-5623	RESISTOR, FIXED, METAL FILM: 1780 ohms ±2%, 1/2 watt (R15) RNC60HL781FS (81349)	EA	1				*	*	*		*	11	34
P H	5905-459-3275	RESISTOR, FIXED, METAL FILM: 68.1 ohms ±2%, 1/2 watt (R14) RNC60I68R1FS (81349)	EA	1				*	*	*		*	11	35

SECTION 232B. REPAIR PARTS FOR DIRECT SUPPORT, GENERAL SUPPORT, AND DEPOT MAINTENANCE

(1) SMR CODE	(2) FEDERAL STOCK NUMBER	(3) DESCRIPTION <i>Reference Number & Mfr Code Usable On Code</i>	(4) UNIT OF MEAS	(5) QTY INC IN UNIT	(6) 30 DAYS DS MAINT ALLOWANCE			(7) 30 DAYS GS MAINT ALLOWANCE			(8) 1-YR ALW PER 100 EQUIP CNTGCTY	(9) DEPOT MAINT ALW PER 100 EQUIP	(10) ILLUSTRATION	
					(a)	(b)	(c)	(a)	(b)	(c)			(a) FIGURE NO.	(b) ITEM NO.
					1-20	21-50	51-100	1-20	21-50	51-100				
P H	5905-403-3156	RESISTOR, FIXED, METAL FILM: 5110 ohms ±2%, 1/2 watt (R3, R13) RNC60H5111FS (81349)	EA	2				*	*	*		*	11	36
P H	5910-964-1345 CAP	CAPACITOR, FIXED, POLYESTER: 0. 22 microfarad ±20%, 50 volts (C2, C8) 601PE2240-5W (84411)	EA	2				*	*	*		*	11	37
P H	5905-629-6685	RESISTOR, FIXED, METAL FILM: 17.8k ohms ±2%, 1/2 watt (R11) RNC60HL782FS (81349)	EA	1				*	*	*		*	11	38
P H	5910-944-4697 CAP	CAPACITOR, FIXED, POLYESTER. 0.15 microfarad ±20%, 50 volts 601PE1540-5W (84411)	EA	2				*	*	*		*	11	39
P H		RESISTOR, FIXED, DEPOSITED CARBON: (R2) RLR20C102GS (81349)	EA	2				*	*	*		*	11	40
X2 H		BOARD, PW: 19B203617P1 (08771)	EA	1									11	41
X2 H	5940-615-8954	FERRULE, RF: GSB071 (59730)	EA	2										
X2 H	5940-502-7688	FERRULE, RF: YOC90 (09922)	EA	2										
		AMPLIFIER ASSEMBLY, SUPERGROUP CARRIER SELECTOR: 19C310845G2 (08771)												

SECTION 232B. REPAIR PARTS FOR DIRECT SUPPORT, GENERAL SUPPORT, AND DEPOT MAINTENANCE

(1) SMR CODE	(2) FEDERAL STOCK NUMBER	(3) DESCRIPTION <i>Reference Number & Mfr Code Usable On Code</i>	(4) UNIT OF MEAS	(5) QTY INC IN UNIT	(6) 30 DAYS DS MAINT ALLOWANCE			(7) 30 DAYS GS MAINT ALLOWANCE			(8) 1-YR ALW PER 100 EQUIP CNTGCY	(9) DEPOT MAINT ALW PER 100 EQUIP	(10) ILLUSTRATION	
					(a) 1-20	(b) 21-50	(c) 51-100	(a) 1-20	(b) 21-50	(c) 51-100			(a) FIGURE NO.	(b) ITEM NO.
M H		PLATE, IDENTIFICATION: NP243378P9 (08771)	EA	1									11	1
M H		PLATE, IDENTIFICATION: NP248782P19 (08771)	EA	1									11	2
P H	5935-973-7753	CONTACT, ELECTRICAL: (TP1, TP2, TP3, TP4) 16-1266-5 (74970)	EA	4				*	*	*		*	11	3
X2 H		PANEL, FRONT: 5498720G11 (08771)	EA	1									11	4
X2 H	5310-962-1448	NUT: 19B200854P1 (08771)	EA	1									11	5
P 0	6240-944-4724	LAMP: (i1) 38AS13-1535 (72619)	EA	1	*	*	*	*	*	*		*	11	6
X2 H	5310-957-8992	NUT, KNURLED: 5808-000-0012-04 (72619)	EA	1									11	7
X2 H	5310-078-8453	WASHER, LOCK: 8101-000-0012-01 (72619)	EA	1									11	8
X2 H	4310-078-8451	NUT, PLAIN, HEX: 4901-000-0012-01 (72619)	EA	1									11	9
P H	6250-690-1569	LAMPHOLDER- (XII) 7538 (72619)	EA	1				*	*	*		*	11	10
X2 H	5805-085-7231	BOARD, DUMMY PLATE 4034555P1 (08771)	EA	1									11	11

SECTION 232B. REPAIR PARTS FOR DIRECT SUPPORT, GENERAL SUPPORT, AND DEPOT MAINTENANCE

(1) SMR CODE	(2) FEDERAL STOCK NUMBER	(3) DESCRIPTION <i>Reference Number & Mfr Code Usable On Code</i>	(4) UNIT OF MEAS	(5) QTY INC IN UNIT	(6) 30 DAYS DS MAINT ALLOWANCE			(7) 30 DAYS GS MAINT ALLOWANCE			(8) 1-YR ALW PER 100 EQUIP CNTGCTY	(9) DEPOT MAINT ALW PER 100 EQUIP	(10) ILLUSTRATION	
					(a)	(b)	(c)	(a)	(b)	(c)			(a) FIGURE NO.	(b) ITEM NO.
					1-20	21-50	51-100	1-20	21-50	51-100				
X2 H		SCREW, MACHINE: N80P9017C13 (08771)	EA	4								11	12	
X2 H	5365-919-4899	SPACER: 4037156P1 (08771)	EA	4								11	13	
P H		SEMICONDUCTOR: (CR1) SSD753 (13715)	EA	1				*	*	*		*	11	14
P H	5961-669-6884	SEMICONDUCTOR. (CR2) JAN277 (81349)	EA	1				*	*	*		*	11	15
P H		TRANSISTOR, PNP: (Q1) 2N398B (03603)	EA	1				*	*	*		*	11	16
P H	5905-828-2454	RESISTOR, FIXED, METAL FILM: 511k ohms ±2%, 1/2 watt (R4, R5) INC60H5113FR (81349)	EA	2				*	*	*		*	11	17
P H		RESISTOR, FIXED, METAL FILM: (R6) RLR20C903GS (81349)	EA	1					*	*		*	11	18
P H	5905-256-5065	RESISTOR, FIXED, METAL FILM: 511 ohms ±2%, 1/2 watt (R9) RNC60H510FS (81349)	EA	1				*	*	*		*	11	19
P H	5910-949-5390	CAPACITOR, FIXED, POLYESTER: (C1, C5, C6, C7) CK10BX153M (81349)	EA	4				*	*	*		*	11	20
P H	5905-424-9451	RESISTOR, FIXED, METAL FILM: 3830 ohms ±2%, 1/2 watt (R7, R8) RNC60H3831FS (81349)	EA	2				*	*	*		*	11	21

SECTION 232B. REPAIR PARTS FOR DIRECT SUPPORT, GENERAL SUPPORT, AND DEPOT MAINTENANCE

(1) SMR CODE	(2) FEDERAL STOCK NUMBER	(3) DESCRIPTION <i>Reference Number & Mfr Code Usable On Code</i>	(4) UNIT OF MEAS	(5) QTY INC IN UNIT	(6) 30 DAYS DS MAINT ALLOWANCE			(7) 30 DAYS GS MAINT ALLOWANCE			(8) 1-YR ALW PER 100 EQUIP CNTGCV	(9) DEPOT MAINT ALW PER 100 EQUIP	(10) ILLUSTRATION	
					(a)	(b)	(c)	(a)	(b)	(c)			(a) FIGURE NO.	(b) ITEM NO.
					1-20	21-50	51-100	1-20	21-50	51-100				
P H	5961-059-4464	TRANSISTOR, NPN: (Q2) 2N2218A (03508)	EA	1				*	*	*		*	11	22
X2 H	5805-085-7218	WASHER, INSULATING: 4036555P1 (08771)	EA	2									11	23
P H	5961-716-9426	HEATSINK, TRANSISTOR: 3AL-635-2R (07387)	EA	1				*	*	*		*	11	24
P H	5905-409-7252	RESISTOR, FIXED, METAL FILM: 2610 ohms ±2%, 1/2 watt (R10) RNC60H2611FS (81349)	EA	1				*	*	*		*	11	25
P H	6615-391-0372	TRANSISTOR, PNP: (Q3, Q4) 2N3906 (81349)	EA	2				*	*	*		*	11	26
P H	5905-005-2683	RESISTOR, FIXED, METAL FILM: 61.9 ohms ±2%, 1/2 watt (R1) RNC60H61R9FS (81349)	EA	1				*	*	*		*	11	27
P H	5905-184-7794	RESISTOR, FIXED, METAL FILM: 8250 ohms ±2%, 1/2 watt (R12) RNC60o8251FS (81349)	EA	1				*	*	*		*	11	28
P H	5910-964-1346	CAPACITOR, FIXED, POLYESTER: 0.1 microfarad ±20%, 50 volts (C9) 601PE1040-5W2 (84411)	EA	1				*	*	*		*	11	29
P H	5950-922-7729	COIL, RF: (L1) 2950-13 (99800)	EA	1				*	*	*		*	11	30
P F	5920-902-8530	FUSE, ENCLOSED LINK: (F1) 272-100 (75915)	EA	1	*	*	*	*	*	*		*	11	31

SECTION 232B. REPAIR PARTS FOR DIRECT SUPPORT, GENERAL SUPPORT, AND DEPOT MAINTENANCE

(1) SMR CODE	(2) FEDERAL STOCK NUMBER	(3) DESCRIPTION <i>Reference Number & Mfr Code Usable On Code</i>	(4) UNIT OF MEAS	(5) QTY INC IN UNIT	(6) 30 DAYS DS MAINT ALLOWANCE			(7) 30 DAYS GS MAINT ALLOWANCE			(8) 1-YR ALW PER 100 EQUIP CNTGCV	(9) DEPOT MAINT ALW PER 100 EQUIP	(10) ILLUSTRATION	
					(a)	(b)	(c)	(a)	(b)	(c)			(a) FIGURE NO.	(b) ITEM NO.
					1-20	21-50	51-100	1-20	21-50	51-100				
P H	5920-973-8204	FUSEHOLDER (XF1) 281001 (75915)	EA	1				*	*	*		*	11	32
P H		CAPACITOR, FIXED, MICA: 27 picofarad ±5%, 500 volts (C10) DM15E270J0500V (72136)	EA	1				*	*	*		*	11	33
P H	5905-462-5673	RESISTOR, FIXED, METAL FILM: 1780 ohms ±2%, 1/2 watt (R15) RNC60H1781FS (81349)	EA	1				*	*	*		*	11	34
P H	5905-459-3275	RESISTOR, FIXED, METAL FILM- 68.1 ohms ±2%, 1/2 watt (R14) RNC60H68R1FS (81349)	EA	1				*	*	*		*	11	35
P H	5905-403-3156	RESISTOR, FIXED, METAL FILM: 5110 ohms ±2% 1/2 watt (R3, R13) RNC60H5111FS (81349)	EA	2				*	*	*		*	11	36
P H	5910-964-1345	CAPACITOR, FIXED, POLYESTER: 0.22 microfarad ±20%, 50 volts (C2, C8) 601PE2240-5W (84411)	EA	2				*	*	*		*	11	37
P H	5905-629-6685	RESISTOR, FIXED, METAL FILM- 17.8k ohms ±2%, 1/2 watt (R11) RNC60H1782FS (81349)	EA	1				*	*	*		*	11	38
P H	5910-944-4697	CAPACITOR, FIXED, POLYESTER- 0.15 microfarad ±20%, 50 volts 601PE1540-5W (84411)	EA	2				*	*	*		*	11	39
P H		RESISTOR, FIXED, METAL FILM: (R2) RLR20C102GS (81349)	EA	2				*	*	*		*	11	40

cn

SECTION 232B. REPAIR PARTS FOR DIRECT SUPPORT, GENERAL SUPPORT, AND DEPOT MAINTENANCE

(1) SMR CODE	(2) FEDERAL STOCK NUMBER	(3) DESCRIPTION <i>Reference Number & Mfr Code Usable On Code</i>	(4) UNIT OF MEAS	(5) QTY INC IN UNIT	(6) 30 DAYS DS MAINT ALLOWANCE			(7) 30 DAYS GS MAINT ALLOWANCE			(8) 1-YR ALW PER 100 EQUIP CNTGCV	(9) DEPOT MAINT ALW PER 100 EQUIP	(10) ILLUSTRATION	
					(a)	(b)	(c)	(a)	(b)	(c)			(a) FIGURE NO.	(b) ITEM NO.
					1-20	21-50	51-100	1-20	21-50	51-100				
X2 H		BOARD, PW: 19B203617P1 (08771)	EA	1									11	41
X2 H	5940-615-8954	FERRULE, RF: (Not Illustrated) GSB071 (59730)	EA	2										
X2 H	5940-502-7688	FERRULE, RF: (Not Illustrated) YOC90 (09922)	EA	2										

**SECTION 233A. SUPERGROUP CARRIER SELECTOR UNIT ASSEMBLY, 19C301513G2.
REPAIR PARTS FOR ORGANIZATIONAL MAINTENANCE**

(1) SMR CODE	(2) FEDERAL STOCK NUMBER	(3) DESCRIPTION <i>Reference Number & Mfr. Code Usable On Code</i>	(4) UNIT OF MEAS	(5) QTY INC IN UNIT	(6) 15-DAY ORG MAINT ALLOWANCE				(7) ILLUSTRATION	
					(a) 1-5	(b) 6-20	(c) 21-50	(d) 51-100	(a) FIGURE NO.	(b) ITEM NO.
P O	5805-174-3522	SUPERGROUP CARRIER SELECTOR UNIT ASSEMBLY - 1364 KHz 19C301513G2 (08771)	EA	2	*	*	*	*	11	6
	6240-944-4724	LAMP (11) 38AS13-1535 (72619)								

SECTION 233B. REPAIR PARTS FOR DIRECT SUPPORT, GENERAL SUPPORT, AND DEPOT MAINTENANCE

(1) SMR CODE	(2) FEDERAL STOCK NUMBER	(3) DESCRIPTION <i>Reference Number & Mfr Code Usable On Code</i>	(4) UNIT OF MEAS	(5) QTY INC IN UNIT	(6) 30 DAYS DS MAINT ALLOWANCE			(7) 30 DAYS GS MAINT ALLOWANCE			(8) 1-YR ALW PER 100 EQUIP CNTGCV	(9) DEPOT MAINT ALW PER 100 EQUIP	(10) ILLUSTRATION	
					(a) 1-20	(b) 21-50	(c) 51-100	(a) 1-20	(b) 21-50	(c) 51-100			(a) FIGURE NO.	(b) ITEM NO.
P F S	5805-174-3522	SUPERGROUP CARRIER SELECTOR UNIT ASSEMBLY. (1364 kHz) 19C301513G2 (08771)	EA	1	*	*	*	*	*	*		*	10	
P F S	5820-997-6198	AMPLIFIER ASSEMBLY, SUPERGROUP CARRIER SELECTOR: 19C310845G1 (08771)	EA	1	*	*	*	*	*	*		*	10	1
P F S	5805-876-9572	AMPLIFIER ASSEMBLY, SUPERGROUP CARRIER SELECTOR: 19C310845G2 (08771)	EA	1	*	*	*	*	*	*		*	10	2
P H S	5895-942-9995	SUPERGROUP CARRIER SELECTOR ASSEMBLY: 19C301510G1 (08771)	EA	1				*	*	*		*	10	3
P H	5935-926-2944	CONNECTOR, PW: (J100, J101) M21097-1-055 (81349)	EA	2				*	*	*		*	10	4
X2 H		NUT: 4029846P1 (08771)	EA	4									10	5
P H	5950-902-2773	TRANSFORMER, RF: (T101, T104) 71-1252 (06978)	EA	2				*	*	*		*	10	6
P H	5910-944-4678	CAPACITOR, FIXED, POLYESTER: 0.33 microfarad ±20%, 50 volts (C102, C105) 601PE3340-5W2 (84411)	EA	2				*	*	*		*	10	7
P H	5950-995-2886	TRANSFORMER, RF: (T102, T105) 71-1326 (06978)	EA	2				*	*	*		*	10	8

SECTION 233B. REPAIR PARTS FOR DIRECT SUPPORT, GENERAL SUPPORT, AND DEPOT MAINTENANCE

(1) SMR CODE	(2) FEDERAL STOCK NUMBER	(3) DESCRIPTION <i>Reference Number & Mfr Code Usable On Code</i>	(4) UNIT OF MEAS	(5) QTY INC IN UNIT	(6) 30 DAYS DS MAINT ALLOWANCE			(7) 30 DAYS GS MAINT ALLOWANCE			(8) 1-YR ALW PER 100 EQUIP CNTGCTY	(9) DEPOT MAINT ALW PER 100 EQUIP	(10) ILLUSTRATION	
					(a) 1-20	(b) 21-50	(c) 51-100	(a) 1-20	(b) 21-50	(c) 51-100			(a) FIGURE NO.	(b) ITEM NO.
P H	5905-993-1356	RESISTOR, FIXED, DEPOSITED CARBON: (R120, R121) RN65D38R3F (81349)	EA	2				*	*	*		*	10	9
P H	5905-764-9783	RESISTOR, FIXED, DEPOSITED CARBON- (R106, R116) IN65D42R2F (81349)	EA	2				*	*	*		*	10	10
P H	5905-068-8282	RESISTOR, FIXED, DEPOSITED CARBON: (R107, R117) EN65D19R6F (81349)	EA	2				*	*	*		*	10	11
P H		RESISTOR, FIXED, DEPOSITED CARBON: (R108, R118) RNR70C1621FS (81349)	EA	2				*	*	*		*	10	12
P H		RESISTOR, FIXED, DEPOSITED CARBON: 82.5k ohms ±1%, 1/2 watt (R109, R119) 5495948P389 (08771)	EA	2				*	*	*		*	10	13
P H	5905-409-0396	RESISTOR, FIXED, DEPOSITED CARBON: (R105, R115) RNR70C1002FS (81349)	EA	2				*	*	*		*	10	14
P H		RESISTOR, FIXED, DEPOSITED CARBON: (R104, R114) RNR70C1962FS (81349)	EA	2				*	*	*		*	10	15
P H		RESISTOR, FIXED, DEPOSITED CARBON: (R101, R102, R103, R111, R112, R113) RNR70C7500FS (81349)	EA	6				*	*	*		*	10	16
P H		RESISTOR, FIXED, DEPOSITED CARBON: (R122, R123) RNR70C750FS (81349)	EA	2				*	*	*		*	10	17

SECTION 233B REPAIR PARTS FOR DIRECT SUPPORT, GENERAL SUPPORT, AND DEPOT MAINTENANCE

(1) SMR CODE	(2) FEDERAL STOCK NUMBER	(3) DESCRIPTION <i>Reference Number & Mfr Code Usable On Code</i>	(4) UNIT OF MEAS	(5) QTY INC IN UNIT	(6) 30 DAYS DS MAINT ALLOWANCE			(7) 30 DAYS GS MAINT ALLOWANCE			(8) 1-YR ALW PER 100 EQUIP CNTGCV	(9) DEPOT MAINT ALW PER 100 EQUIP	(10) ILLUSTRATION	
					(a) 1-20	(b) 21-50	(c) 51-100	(a) 1-20	(b) 21-50	(c) 51-100			(a) FIGURE NO.	(b) ITEM NO.
P H	5950-958-4942	COIL, RF: (L100) 7488079P10 (08771)	EA	1				*	*	*		*	10	18
P H		RESISTOR, FIXED, DEPOSITED CARBON: 51.1 ohms ±1%, 1/2 watt (R100) 5495948P69 (08771)	EA	1				*	*	*		*	10	19
M H		PLATE, IDENTIFICATION: NP239503 (08771)	EA	1									10	20
P H	5915-901-8155	FILTER ASSEMBLY, SELECTOR: (1364 kHz) (FL101) 5492948G2 (08771)	EA	1				*	*	*		*	10	21
P H	5935-583-2210	CONNECTOR, PLUG: (P102, P103) 27-1 (02660)	EA	2				*	*	*		*	10	22
X2 H		BOARD, PW: 19C301516P1 (08771)	EA	1									10	23
P H		CAPACITOR, FIXED, MICA (C106, C107) CMR01E680J3S (81349)	EA	2				*	*	*		*	10	24
P H		CAPACITOR, FIXED, POLYESTER: 0.22 microfarad ±20%, 50 volts (C100, C103) 601PE2240-5W2 (84411)	EA	2				*	*	*		*	10	25
P H	5950-995-1770	TRANSFORMER, RF: (T100, T103) 71-1251 (06978)	EA	2				*	*	*		*	10	26

SECTION 233B. REPAIR PARTS FOR DIRECT SUPPORT, GENERAL SUPPORT, AND DEPOT MAINTENANCE

(1) SMR CODE	(2) FEDERAL STOCK NUMBER	(3) DESCRIPTION <i>Reference Number & Mfr Code Usable On Code</i>	(4) UNIT OF MEAS	(5) QTY INC IN UNIT	(6) 30 DAYS DS MAINT ALLOWANCE			(7) 30 DAYS GS MAINT ALLOWANCE			(8) 1-YR ALW PER 100 EQUIP CNTGCV	(9) DEPOT MAINT ALW PER 100 EQUIP	(10) ILLUSTRATION	
					(a)	(b)	(c)	(a)	(b)	(c)			(a) FIGURE NO.	(b) ITEM NO.
					1-20	21-50	51-100	1-20	21-50	51-100				
P H	5910-964-1346	CAPACITOR, FIXED, POLYESTER: 0.1 microfarad ±20%, 50 volts (C101, C104) 601PE040-5W2- (84411)	EA	2				*	*	*		*	10	27
P F	5355-053-5698	KNOB: 19C310135P1 (08771)	EA	1	*	*	*	*	*	*		*	10	28
P H	5905-959-8340	ATTENUATOR, VARIABLE, BRIDGED TEE: (AT100) 5495971P1 (08771)	EA	1				*	*	*		*	10	29
X2 H		SUPPORT FRAME ASSEMBLY: 5498780G1 (08771)	EA	1									10	30
X2 H	5940-615-8954	FERRULE, RF: GSB071 (59730)	EA	10										
X2 H	5940-502-7688	FERRULE, RF: YOC90 (09922)	EA	10										
		AMPLIFIER ASSEMBLY, SUPERGROUP CARRIER SELECTOR: 19C310845G1 (08771)												
M H		PLATE, IDENTIFICATION: NP243378P8 (08771)	EA	1									11	1
M H		PLATE, IDENTIFICATION: NP248782P18 (08771)	EA	1									11	2

SECTION 233B. REPAIR PARTS FOR DIRECT SUPPORT, GENERAL SUPPORT. AND DEPOT MAINTENANCE

(1) SMR CODE	(2) FEDERAL STOCK NUMBER	(3) DESCRIPTION <i>Reference Number & Mfr Code Usable On Code</i>	(4) UNIT OF MEAS	(5) QTY INC IN UNIT	(6) 30 DAYS DS MAINT ALLOWANCE			(7) 30 DAYS GS MAINT ALLOWANCE			(8) 1-YR ALW PER 100 EQUIP CNTGCTY	(9) DEPOT MAINT ALW PER 100 EQUIP	(10) ILLUSTRATION	
					(a) 1-20	(b) 21-50	(c) 51-100	(a) 1-20	(b) 21-50	(c) 51-100			(a) FIGURE NO.	(b) ITEM NO.
P H	5935-973-7753	CONTACT, ELECTRICAL: (TP1, TP2, TP3, TP4) 16-1266-5 (74970)	EA	4				*	*	*		*	11	3
X2 H	5805-086-4775	PANEL, FRONT: 5498720G12 (08771)	EA	1									11	4
X2 H	5310-962-1448	NUT: 19B200854P1 (08771)	EA	1									11	5
P 0	6240-944-4724	LAMP: (11) 38AS13-1535 (72619)	EA	1	*	*	*	*	*	*		*	11	6
X2 H	5310-957-8992	NUT, KNURLED: 5808-000-0012-04 (72619)	EA	1									11	7
X2 H	5310-078-8453	WASHER, LOCK: 8101-000-0012-01 (72619)	EA	1									11	8
X2 H	4310-078-8451	NUT, PLAIN, HEX: 4901-000-0012-01 (72619)	EA	1									11	9
P H	6250-690-1569	LAMPHOLDER: (X11) 7538 (72619)	EA	1				*	*	*		*	11	10
X2 H	5805-085-7231	BOARD, DUMMY PLATE: 4034555P. (08771)	EA	1									11	11
X2 H		SCREW, MACHINE: N80P9017C13 (08771)	EA	4									11	12
X2 H	5365-919-4899	SPACER: 4037156P1 (08771)	EA	4									11	13

SECTION 233B. REPAIR PARTS FOR DIRECT SUPPORT, GENERAL SUPPORT, AND DEPOT MAINTENANCE

(1) SMR CODE	(2) FEDERAL STOCK NUMBER	(3) DESCRIPTION <i>Reference Number & Mfr Code Usable On Code</i>	(4) UNIT OF MEAS	(5) QTY INC IN UNIT	(6) 30 DAYS DS MAINT ALLOWANCE			(7) 30 DAYS GS MAINT ALLOWANCE			(8) 1-YR ALW PER 100 EQUIP CNTGCTY	(9) DEPOT MAINT ALW PER 100 EQUIP	(10) ILLUSTRATION	
					(a)	(b)	(c)	(a)	(b)	(c)			(a) FIGURE NO.	(b) ITEM NO.
					1-20	21-50	51-100	1-20	21-50	51-100				
P H		SEMICONDUCTOR: (CR1) SSD753 (13715)	EA	1				*	*	*	*		11	14
P H	5961-669-6884	SEMICONDUCTOR: (CR2) JAN 277 (8i349)	EA	1				*	*	*	*		11	15
P H		TRANSISTOR, PNP: (Q1) 2N398B (03603)	EA	1				*	*	*	*		11	16
P H	5905-828-2454	RESISTOR, FIXED, METAL FILM: 511k ohms ±2%, 1/2 watt (R4, R5) RNC60H5113FR (81349)	EA	2				*	*	*	*		11	17
P H		RESISTOR, FIXED, METAL FILM: (R6) RLR20C903GS (81349)	EA	1				*	*	*	*		11	18
P H	5905-256-5065	RESISTOR, FIXED, METAL FILM: 511 ohms ± 2%, 1/2 watt (R9) BNC60H5110FS (81349)	EA	1				*	*	*	*		11	19
P H	5910-949-5390	CAPACITOR, FIXED, POLYESTER: (C1, C5, C6, C7) CK10BX153M (81349)	EA	4				*	*	*	*		11	20
P H	5905-424-9451	RESISTOR, FIXED, METAL FILM: 3830 ohms :2%, 1/2 watt (R7, R8) RNC603831FS (81349)	EA	2				*	*	*	*		11	21
P H	5961-059-4464	TRANSISTOR, NPN: (Q2) 2N2218A (03508)	EA	1				*	*	*	*		11	22
X2 H	5805-085-7218	WASHER, INSULATING: 4036555P1 (08771)	EA	2									11	23

SECTION 233B. REPAIR PARTS FOR DIRECT SUPPORT, GENERAL SUPPORT, AND DEPOT MAINTENANCE

(1) SMR CODE	(2) FEDERAL STOCK NUMBER	(3) DESCRIPTION <i>Reference Number & Mfr Code Usable On Code</i>	(4) UNIT OF MEAS	(5) QTY INC IN UNIT	(6) 30 DAYS DS MAINT ALLOWANCE			(7) 30 DAYS GS MAINT ALLOWANCE			(8) 1-YR ALW PER 100 EQUIP CNTGCV	(9) DEPOT MAINT ALW PER 100 EQUIP	(10) ILLUSTRATION	
					(a) 1-20	(b) 21-50	(c) 51-100	(a) 1-20	(b) 21-50	(c) 51-100			(a) FIGURE NO.	(b) ITEM NO.
					P H	5961-716-9426	HEATSINK, TRANSISTOR: 3AL-635-2R (18915)	EA	1					
P H	5905-409-7252	RESISTOR, FIXED, METAL FILM: 2610 ohms ± 2%, 1/2 watt (R10) NC60H2611FS (81349)	EA	1				*	*	*		*	11	25
P H	6615-391-0372	TRANSISTOR, PNP: (Q3, Q4) 2N3906 (81349)	EA	2				*	*	*		*	11	26
P H	5905-005-2683	RESISTOR, FIXED, METAL FILM: 61.9 ohms ± 2%, 1/2 watt (R1) RNC60H61R9FS (81349)	EA	1				*	*	*		*	11	27
P H	5905-184-7794	RESISTOR, FIXED, METAL FILM- 8250 ohms ± 2%, 1/2 watt (R12) RNC60H8251FS (81349)	EA	1				*	*	*		*	11	28
P H	5910-964-1346	CAPACITOR, FIXED, POLYESTER: 0.1 microfarad ± 20%, 50 volts (C9) 601PE1040-5W2 (84411)	EA	1				*	*	*		*	11	29
P H	5950-922-7729	COIL, RF: (L1) 2950-13 (99800)	EA	1				*	*	*		*	11	30
P F	5920-902-8530	FUSE, ENCLOSED LINK: (F1) 272-100 (75915) L'	EA	1	*	*	*	*	*	*		*	11	31
P H	5920-973-8204	FUSEHOLDER: (XF1) 281001 (75915)	EA	1				*	*	*		*	11	32
P H		CAPACITOR, FIXED, MICA: 27 picofarad ± 5%, 500 volts (C10) DM15E270J0500V (72136)	EA	1				*	*	*		*	11	33

SECTION 233B. REPAIR PARTS FOR DIRECT SUPPORT, GENERAL SUPPORT, AND DEPOT MAINTENANCE

(1) SMR CODE	(2) FEDERAL STOCK NUMBER	(3) DESCRIPTION <i>Reference Number & Mfr Code Usable On Code</i>	(4) UNIT OF MEAS	(5) QTY INC IN UNIT	(6) 30 DAYS DS MAINT ALLOWANCE			(7) 30 DAYS GS MAINT ALLOWANCE			(8) 1-YR ALW PER 100 EQUIP CNTGCY	(9) DEPOT MAINT ALW PER 100 EQUIP	(10) ILLUSTRATION	
					(a) 1-20	(b) 21-50	(c) 51-100	(a) 1-20	(b) 21-50	(c) 51-100			(a) FIGURE NO.	(b) ITEM NO.
P H	5905-462-56T73	RESISTOR, FIXED, METAL FILM: 1780 ohms ± 2%, 1/2 watt (R15) PRC60H1781FS (81349)	EA	1				*	*	*		*	11	34
P H	5905-459-3275	RESISTOR, FIXED, METAL FILM: 68.1 ohms ± 2%, 1/2 watt (R14) RNC60H68RLFS (81349)	EA	1				*	*	*		*	11	35
P H	5905-403-3156	RESISTOR, FIXED, METAL FILM: 5110 ohms ± 2%, 1/2 watt (R3, R13) RNC60H5111F (81349)	EA	2				*	*	*		*	11	36
P H	5910-964-1345	CAPACITOR, FIXED, POLYESTER: 0.22 microfarad ± 20%, 50 volts (C2, C8) 601PE2240-5W (84411)	EA	2				*	*	*		*	11	37
P H	5905-629-6685	RESISTOR, FIXED, METAL FILM: 17.8k ohms ± 2%, 1/2 watt (R11) RNC60HL782FS (81349)	EA	1				*	*	*		*	11	38
P H	5910-944-4697	CAPACITOR, FIXED, POLYESTER: 0.15 microfarad ± 20%, 50 volts 601PE1540-5W (84411)	EA	2				*	*	*		*	11	39
P H		RESISTOR, FIXED, METAL FILM: (R2) RLR20C102GS (81349)	EA	2				*	*	*		*	11	40
X2 H		BOARD, PW: 19B203617P1 (08771)	EA	1									11	41
X2 H	5940-615-8954	FERRULE, RF: GSB071 (59730)	EA	2										
X2 H	5940-502-7688	FERRULE, RF: YOC90 (09922)	EA	2										

SECTION 233B. REPAIR PARTS FOR DIRECT SUPPORT, GENERAL SUPPORT, AND DEPOT MAINTENANCE

(1) SMR CODE	(2) FEDERAL STOCK NUMBER	(3) DESCRIPTION <i>Reference Number & Mfr Code Usable On Code</i>	(4) UNIT OF MEAS	(5) QTY INC IN UNIT	(6) 30 DAYS DS MAINT ALLOWANCE			(7) 30 DAYS GS MAINT ALLOWANCE			(8) 1-YR ALW PER 100 EQUIP CNTGCV	(9) DEPOT MAINT ALW PER 100 EQUIP	(10) ILLUSTRATION	
					(a) 1-20	(b) 21-50	(c) 51-100	(a) 1-20	(b) 21-50	(c) 51-100			(a) FIGURE NO.	(b) ITEM NO.
M H		AMPLIFIER ASSEMBLY, SUPERGROUP CARRIER SELECTOR: 19C310845G2 (08771)	EA	1									11	1
M H		PLATE, IDENTIFICATION: NP243378P9 (08771)	EA	1									11	2
P H	5935-973-7753	CONTACT, ELECTRICAL: (TP1, TP2, TP3, TP4) 16-1266-5 (74970)	EA	4				*	*	*		*	11	3
X2 H		PANEL, FRONT: 5498720G11 (08771)	EA	1									11	4
X2 H	5310-962-1448	NUT: 19B200854P1 (08771)	EA	1									11	5
P 0	6240-944-4724	LAMP- (11) 38AS13-1535 (72619)	EA	1	*	*	*	*	*	*		*	11	6
X2 H	5310-957-8992	NUT, KNURLED: 5808-000-0012-04 (72619)	EA	1									11	7
X2 H	5310-078-8453	WASHER, LOCK: 8101-000-0012-01 (72619)	EA	1									11	8
X2 H	4310-078-8451	NUT, PLAIN, HEX: 4901-000-0012-01 (72619)	EA	1									11	9
P H	6250-690-1569	LAMPHOLDER: (X11) 7538 (72619)	EA	1				*	*	*		*	11	10

SECTION 233B. REPAIR PARTS FOR DIRECT SUPPORT, GENERAL SUPPORT, AND DEPOT MAINTENANCE

(1) SMR CODE	(2) FEDERAL STOCK NUMBER	(3) DESCRIPTION <i>Reference Number & Mfr Code Usable On Code</i>	(4) UNIT OF MEAS	(5) QTY INC IN UNIT	(6) 30 DAYS DS MAINT ALLOWANCE			(7) 30 DAYS GS MAINT ALLOWANCE			(8) 1-YR ALW PER 100 EQUIP CNTGCY	(9) DEPOT MAINT ALW PER 100 EQUIP	(10) ILLUSTRATION	
					(a) 1-20	(b) 21-50	(c) 51-100	(a) 1-20	(b) 21-50	(c) 51-100			(a) FIGURE NO.	(b) ITEM NO.
X2 H	5805-085-7231	BOARD, DUMMY PLATE: 4034555P1 (08771)	EA	1								11	11	
X2 H		SCREW, MACHINE: N80P9017C13 (08771)	EA	4								11	12	
X2 H	5365-919-4899	SPACER: 4037156P1 (08771)	EA	4								11	13	
P H		SEMICONDUCTOR: (CR1) SSD753 (13715)	EA	1				*	*	*		*	11	14
P H	5961-669-6884	SEMICONDUCTOR: (CR2) JAN277 (81349)	EA	1				*	*	*		*	11	15
P H		TRANSISTOR, PNP: (Q1) 2N398B (03603)	EA	1				*	*	*		*	11	16
P H	5905-828-2454	RESISTOR, FIXED, METAL FILM: 511k ohms ± 2%, 1/2 watt (R4, R5) RNC60H5113FR (81349)	EA	2				*	*	*		*	11	17
P H		RESISTOR, FIXED, METAL FILM: (R6) RLR20C903GS (81349)	EA	1				*	*	*		*	11	18
P H	5905-256-5065	RESISTOR, FIXED, METAL FILM: 511 ohms ± 2%, 1/2 watt (R9) RNC60H5110FS (81349)	EA	1				*	*	*		*	11	19
P H	5910-949-5390	CAPACITOR, FIXED, POLYESTER: (C1, C5, C6, C7) CK10BX153M (81349)	EA	4				*	*	*		*	11	20

SECTION 233B. REPAIR PARTS FOR DIRECT SUPPORT, GENERAL SUPPORT, AND DEPOT MAINTENANCE

(1) SMR CODE	(2) FEDERAL STOCK NUMBER	(3) DESCRIPTION <i>Reference Number & Mfr Code Usable On Code</i>	(4) UNIT OF MEAS	(5) QTY INC IN UNIT	(6) 30 DAYS DS MAINT ALLOWANCE			(7) 30 DAYS GS MAINT ALLOWANCE			(8) 1-YR ALW PER 100 EQUIP CNTGCV	(9) DEPOT MAINT ALW PER 100 EQUIP	(10) ILLUSTRATION	
					(a) 1-20	(b) 21-50	(c) 51-100	(a) 1-20	(b) 21-50	(c) 51-100			(a) FIGURE NO.	(b) ITEM NO.
P H	5905-424-9451	RESISTOR, FIXED, METAL FILM: 3830 ohms ± 2%, 1/2 watt (R7, R8) RNC60H3831FS (81349)	EA	2				*	*	*		*	11	21
P H	5961-059-4464	TRANSISTOR, NPN: (Q2) 2N2218A (03508)	EA	1				*	*	*		*	11	22
X2 H	5805-085-7218	WASHER, INSULATING: 4036555P1 (08771)	EA	2									11	23
P H	5961-716-9426	HEATSINK, TRANSISTOR: 3AL-635-2R (07387)	EA	1				*	*	*		*	11	24
P H	5905-409-7252	RESISTOR, FIXED, METAL FILM: 2610 ohms ± 2%, 1/2 watt (R10) RNC60H2L1PS (81349)	EA	1				*	*	*		*	11	25
P H	6615-391-0372	TRANSISTOR, PNP: (Q3, Q4) 2N3906 (81349)	EA	2				*	*	*		*	11	26
P H	5905-005-2683	RESISTOR, FIXED, METAL FILM: 61.9 ohms ± -2%, 1/2 watt (R1) RNC60H6119FS (81349)	EA	1				*	*	*		*	11	27
P H	5905-184-7794	RESISTOR, FIXED, METAL FILM: 8250 ohms ± 2%, 1/2 watt (R12) RNC60H8251FS (81349)	EA	1				*	*	*		*	11	28
P H	5910-964-1346	CAPACITOR, FIXED, POLYESTER: 0.1 microfarad ± 20%, 50 volts (C9) 601PE1040-5W2 (84411)	EA	1				*	*	*		*	11	29
P H	5950-922-7729	COIL, RF: (L1) 2950-13 (99800)	EA	1				*	*	*		*	11	30

SECTION 233B. REPAIR PARTS FOR DIRECT SUPPORT, GENERAL SUPPORT, AND DEPOT MAINTENANCE

(1) SMR CODE	(2) FEDERAL STOCK NUMBER	(3) DESCRIPTION <i>Reference Number & Mfr Code Usable On Code</i>	(4) UNIT OF MEAS	(5) QTY INC IN UNIT	(6) 30 DAYS DS MAINT ALLOWANCE			(7) 30 DAYS GS MAINT ALLOWANCE			(8) 1-YR ALW PER 100 EQUIP CNTGCY	(9) DEPOT MAINT ALW PER 100 EQUIP	(10) ILLUSTRATION	
					(a)	(b)	(c)	(a)	(b)	(c)			(a) FIGURE NO.	(b) ITEM NO.
					1-20	21-50	51-100	1-20	21-50	51-100				
P F	5920-902-8530	FUSE, ENCLOSED LINK- (F1) 272-100 (75915)	EA	1	*	*	*	*	*	*	*	11	31	
P H	5920-973-8204	FUSEHOLDER: (XF1) 281001 (75915)	EA	1				*	*	*	*	11	32	
P H		CAPACITOR, FIXED, MICA: 27 picofarad ± 5%, 500 volts (C10) DM15E270J0500V (72136)	EA	1				*	*	*	*	11	33	
P H	5905-462-5673	RESISTOR, FIXED, METAL FILM: 1780 ohms ± 2%, 1/2 watt (R15) RNC60H1781FS (81349)	EA	1				*	*	*	*	11	34	
P H	5905-459-3275	RESISTOR, FIXED, METAL FILM: 68.1 ohms ± 2%, 1/2 watt (R14) RNC60H68BFS (81349)	EA	1				*	*	*	*	11	35	
P H	5905-403-3156	RESISTOR, FIXED, METAL FILM' 5110 ohms ± 2%, 1/2 watt (R3, R13) RNC60H5111FS (81349)	EA	2				*	*	*	*	11	36	
P H	5910-964-1345	CAPACITOR, FIXED, POLYESTER- 0.22 microfarad ± 20%, 50 volts (C2, C8) 601PE2240-5W (84411)	EA	2				*	*	*	*	11	37	
P H	5905-629-6685	RESISTOR, FIXED, METAL FILM' 17.8k ohms ± 2%, 1/2 watt (R11) RNC60H1782FS (81349)	EA	1				*	*	*	*	11	38	
P H	5910-944-4697	CAPACITOR, FIXED, POLYESTER: 0.15 microfarad +20%, 50 volts 601PE1540-5W (84411)	EA	2				*	*	*	*	11	39	

SECTION 233B. REPAIR PARTS FOR DIRECT SUPPORT, GENERAL SUPPORT, AND DEPOT MAINTENANCE

(1) SMR CODE	(2) FEDERAL STOCK NUMBER	(3) DESCRIPTION <i>Reference Number & Mfr Code Usable On Code</i>	(4) UNIT OF MEAS	(5) QTY INC IN UNIT	(6) 30 DAYS DS MAINT ALLOWANCE			(7) 30 DAYS GS MAINT ALLOWANCE			(8) 1-YR ALW PER 100 EQUIP CNTGCV	(9) DEPOT MAINT ALW PER 100 EQUIP	(10) ILLUSTRATION	
					(a) 1-20	(b) 21-50	(c) 51-100	(a) 1-20	(b) 21-50	(c) 51-100			(a) FIGURE NO.	(b) ITEM NO.
P H		RESISTOR, FIXED, METAL FILM: (R2) RLR20C102GS (81349)	EA	2				*	*	*		*	11	40
X2 H		BOARD, PW: 19B203617P1 (08771)	EA	1									11	41
X2 H	5940-615-8954	FERRULE, RF: GSB071 (59730)	EA	2										
X2 H	5940-502-7688	FERRULE, RF: Y0C90 (09922)	EA	2										

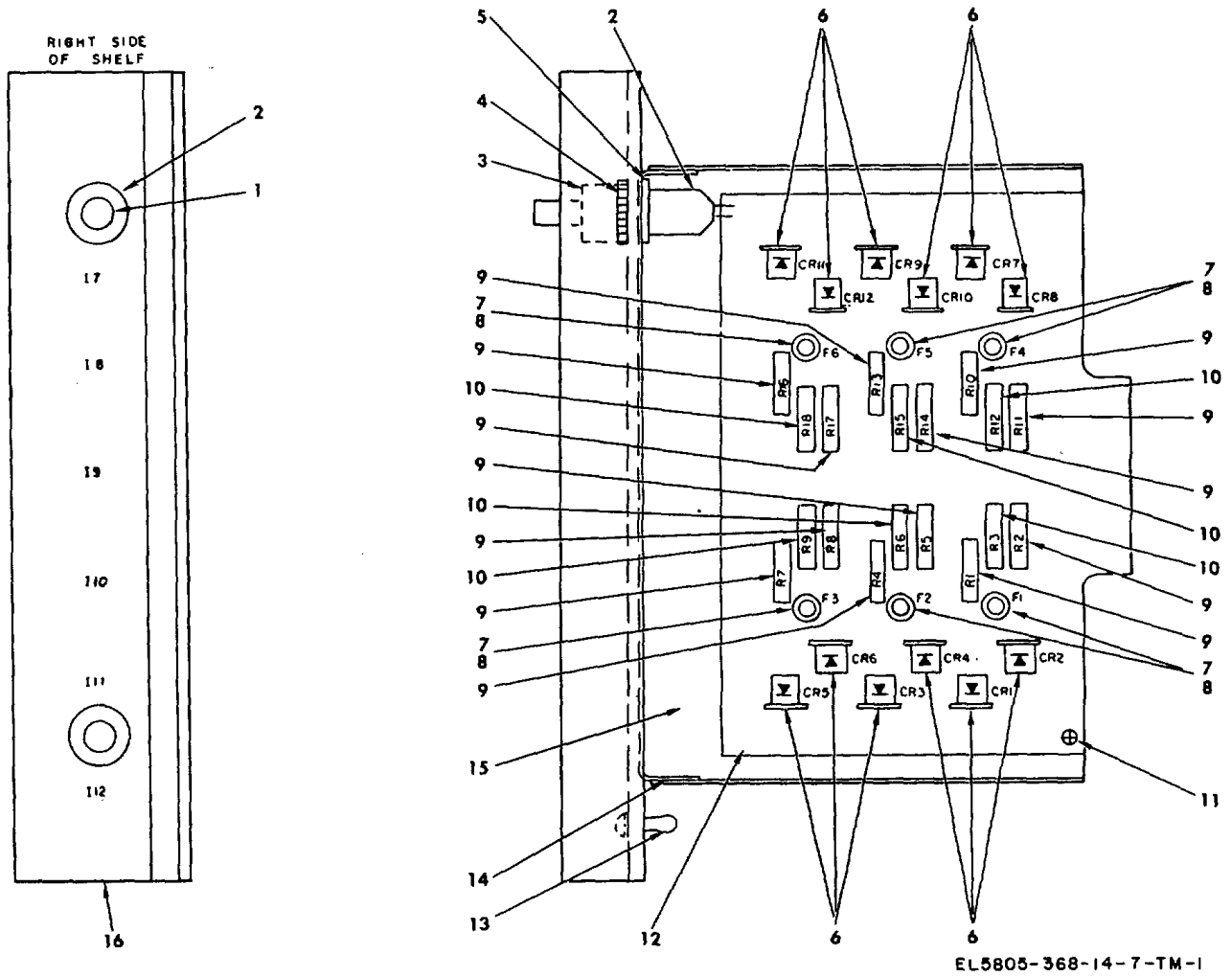


Figure 1. Right channel alarm assembly.

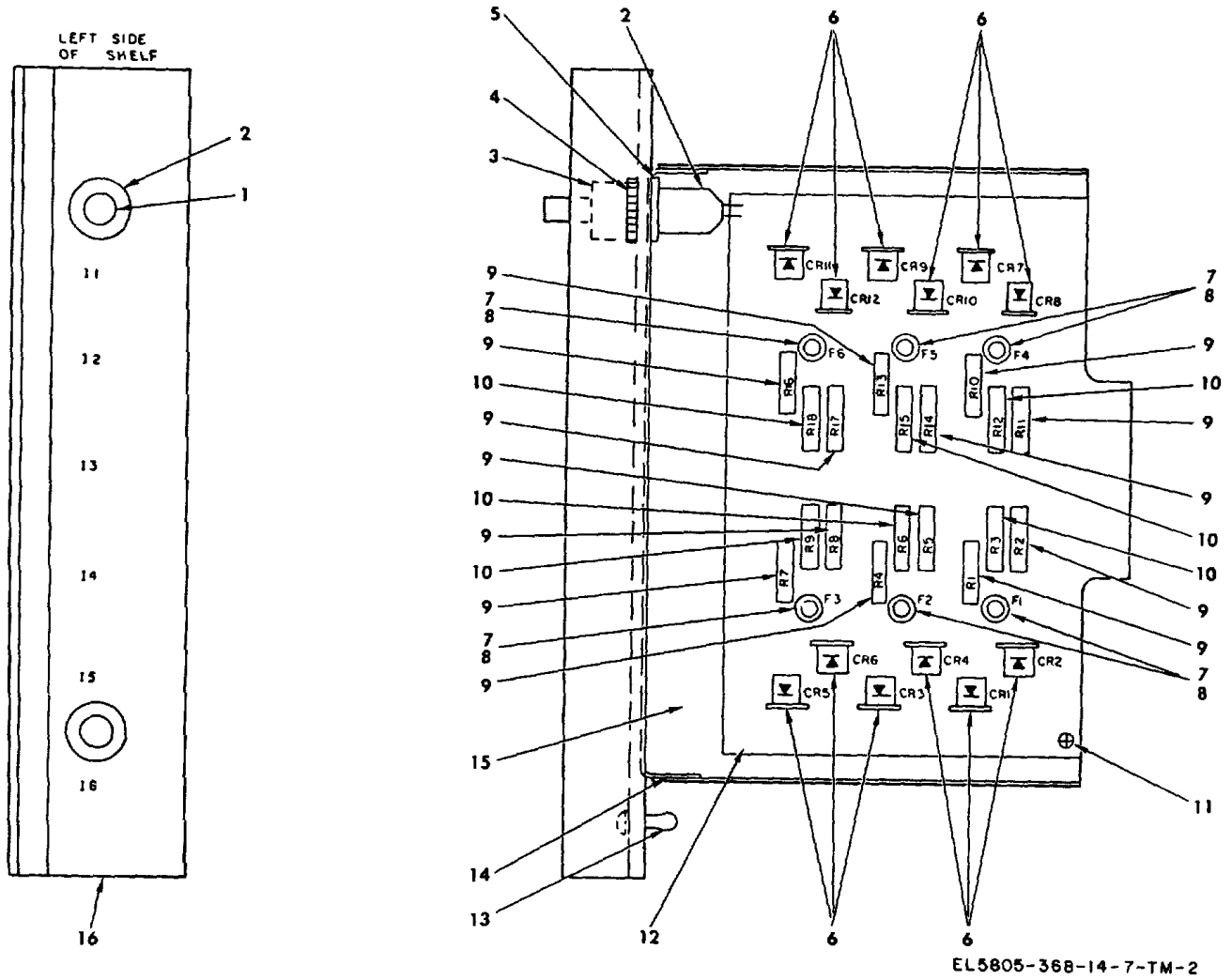


Figure 2. Left channel alarm assembly.

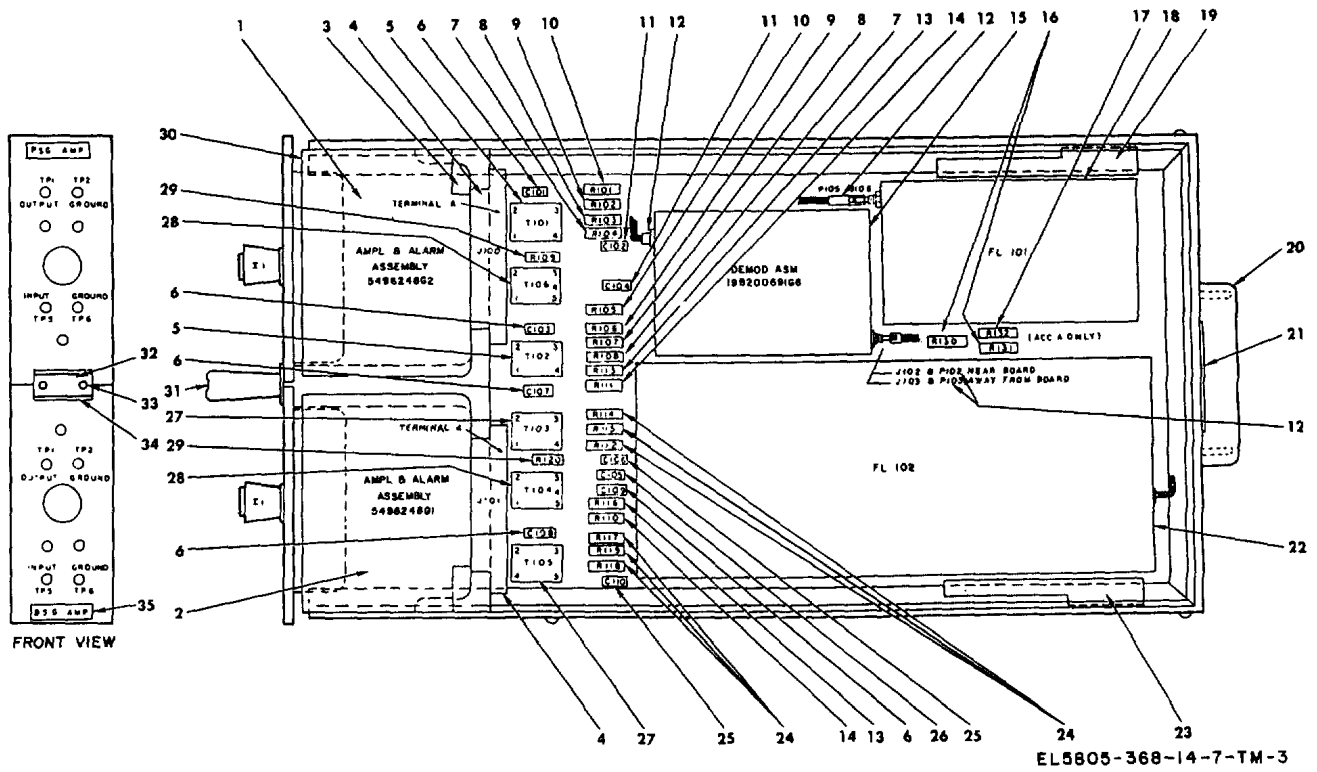
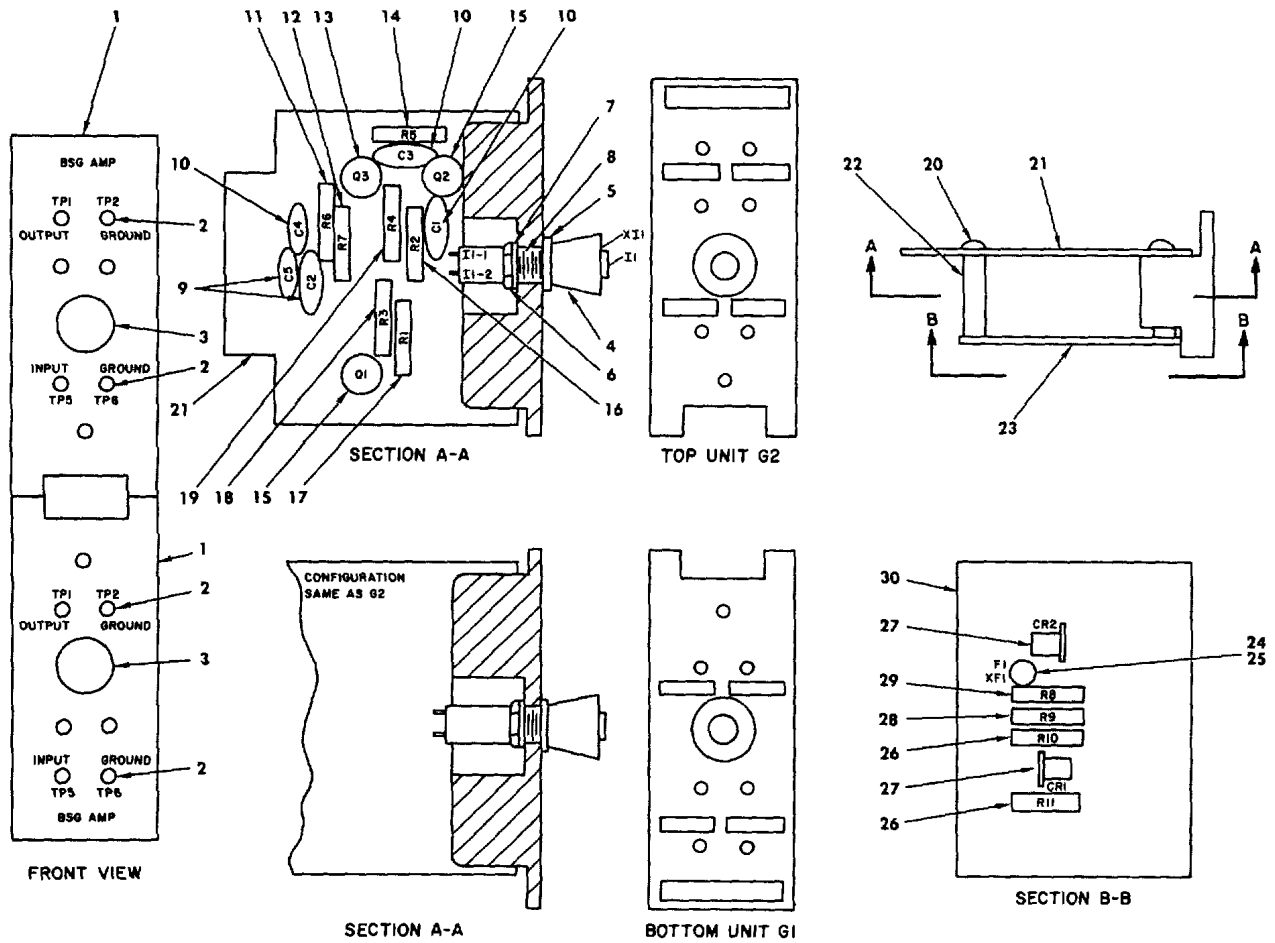
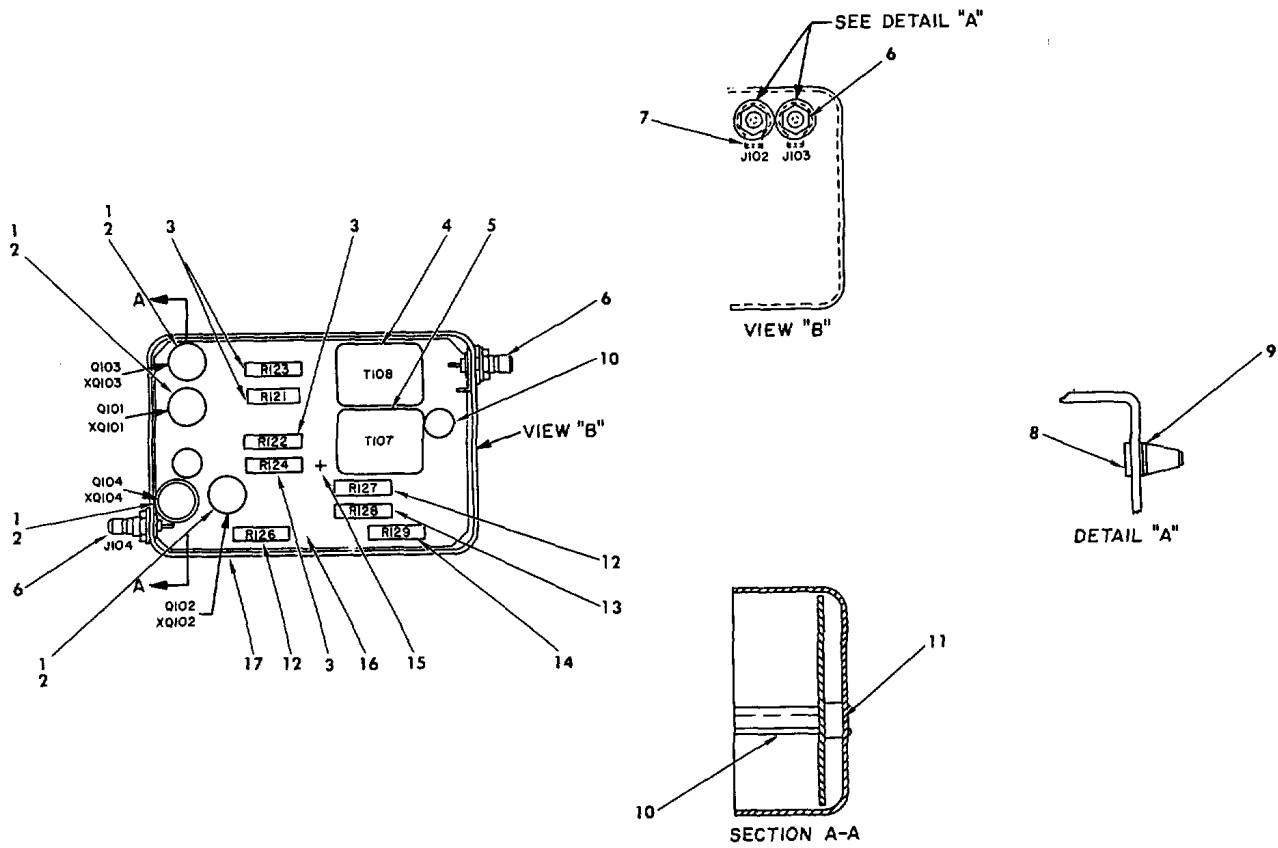


Figure 3. Supergroup receiver unit assembly.



EL 5805-368-14-7-TM-4

Figure 4. Supergroup amplifier assembly.



EL5805-368-14-7-TM-5

Figure 5. Supergroup modulator/demodulator assembly, 19B200691G6.

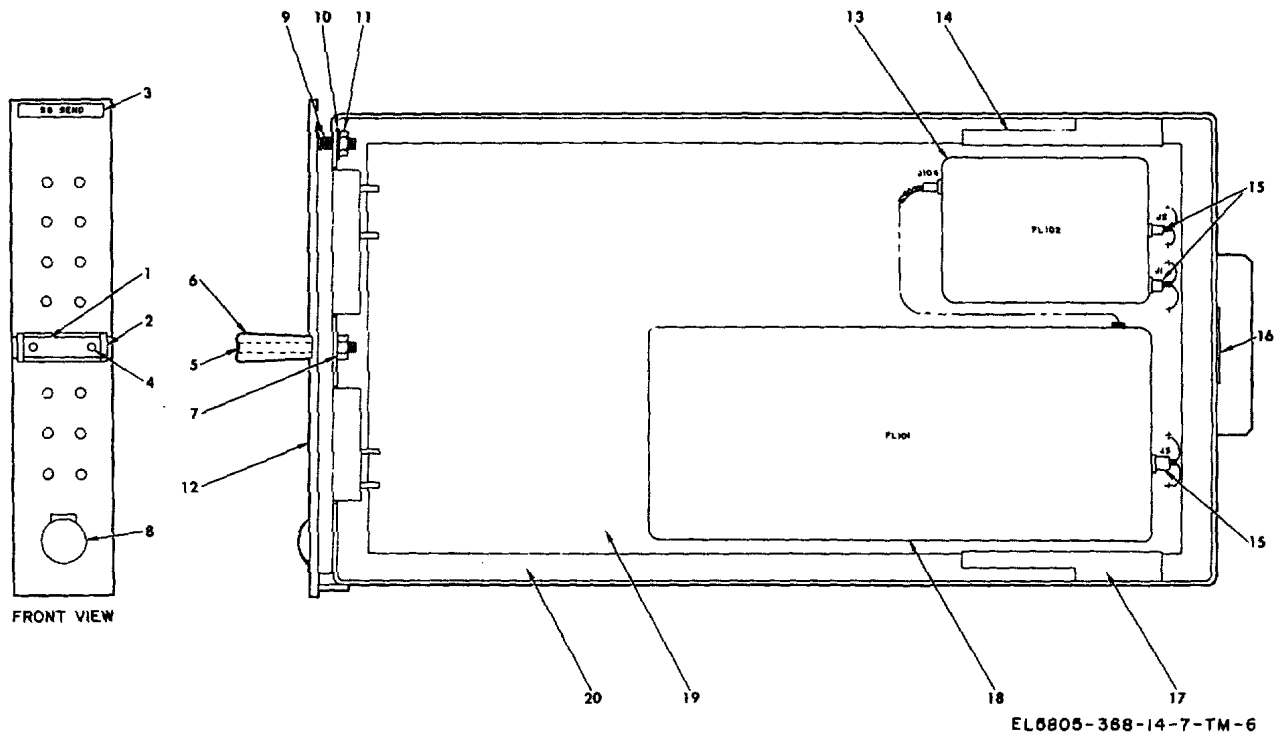
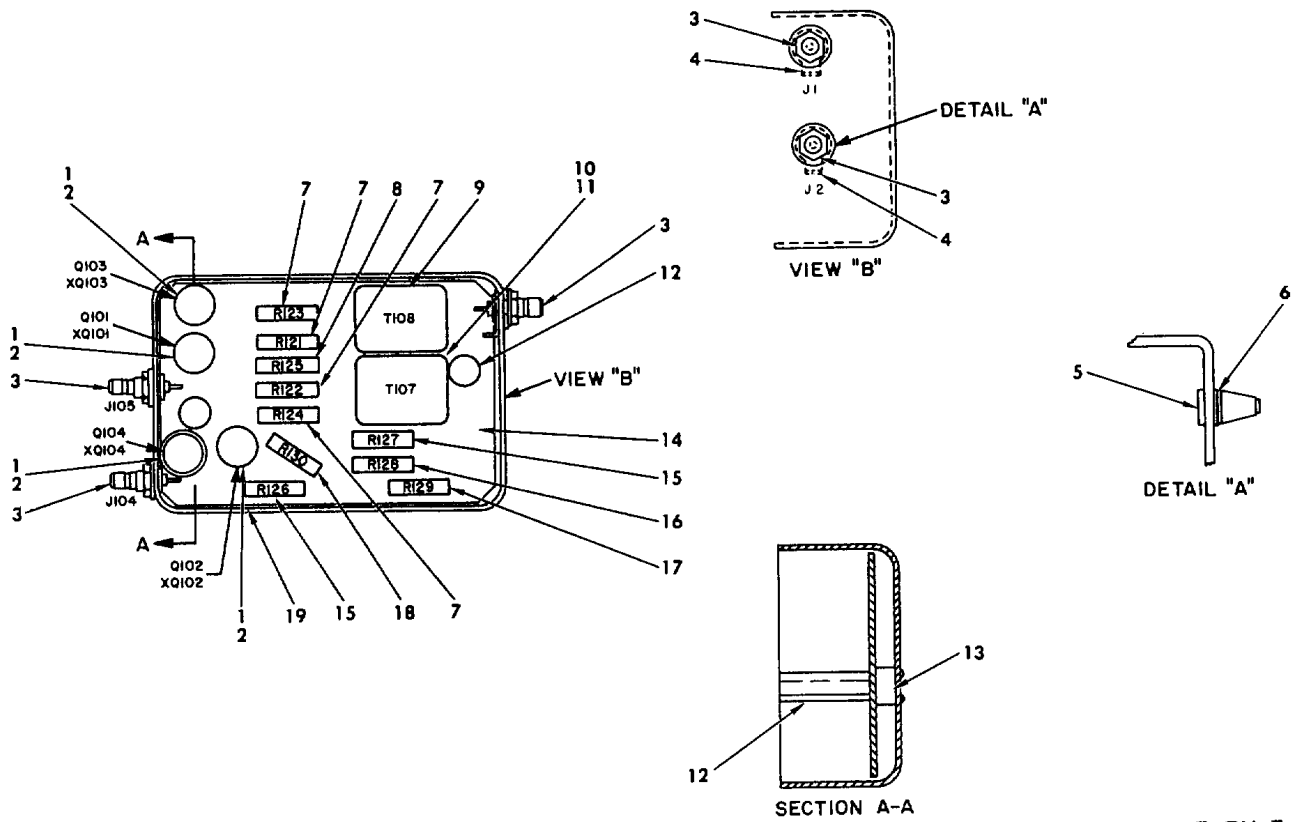


Figure 6. Supergroup send unit assembly.



EL5805-368-14-7-TM-7

Figure 7. Supergroup modulator/demodulator assembly 19B200691G5.

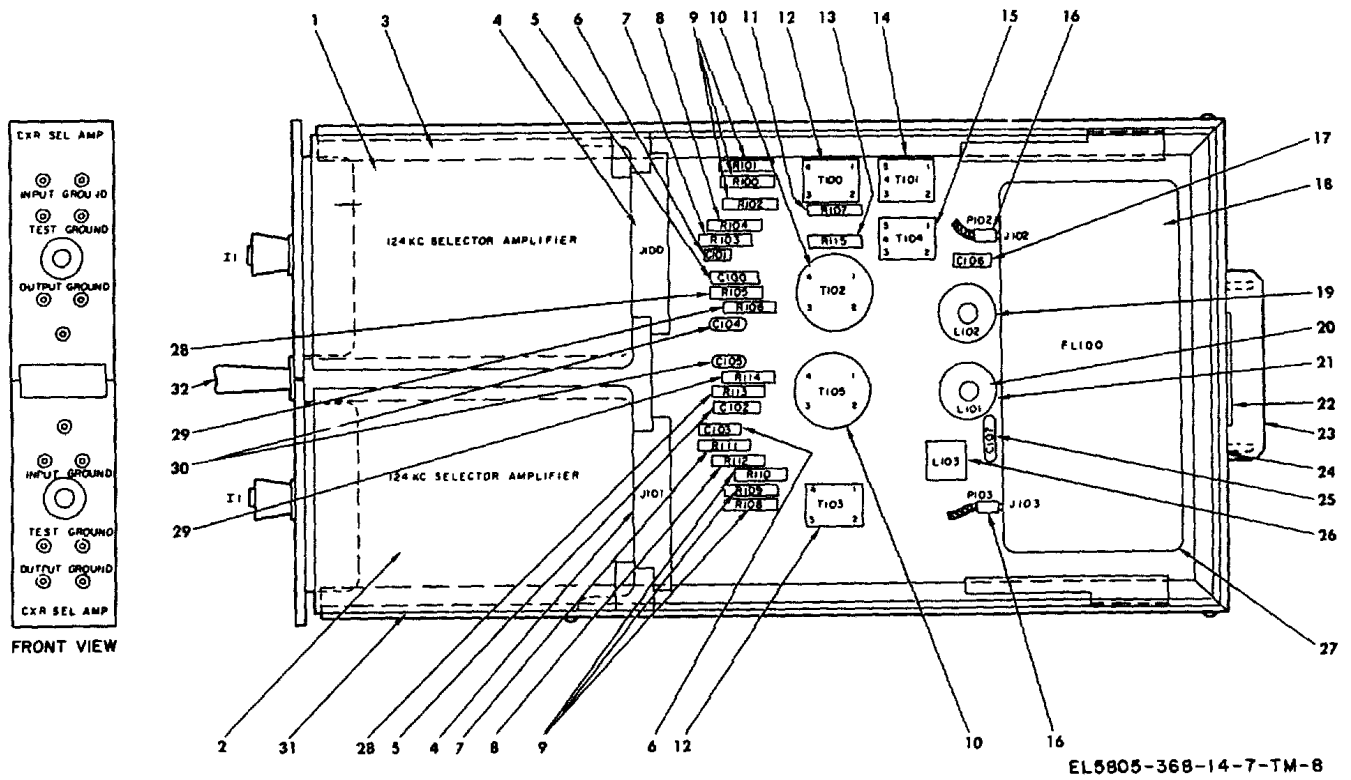


Figure 8. Supergroup harmonic generator assembly.

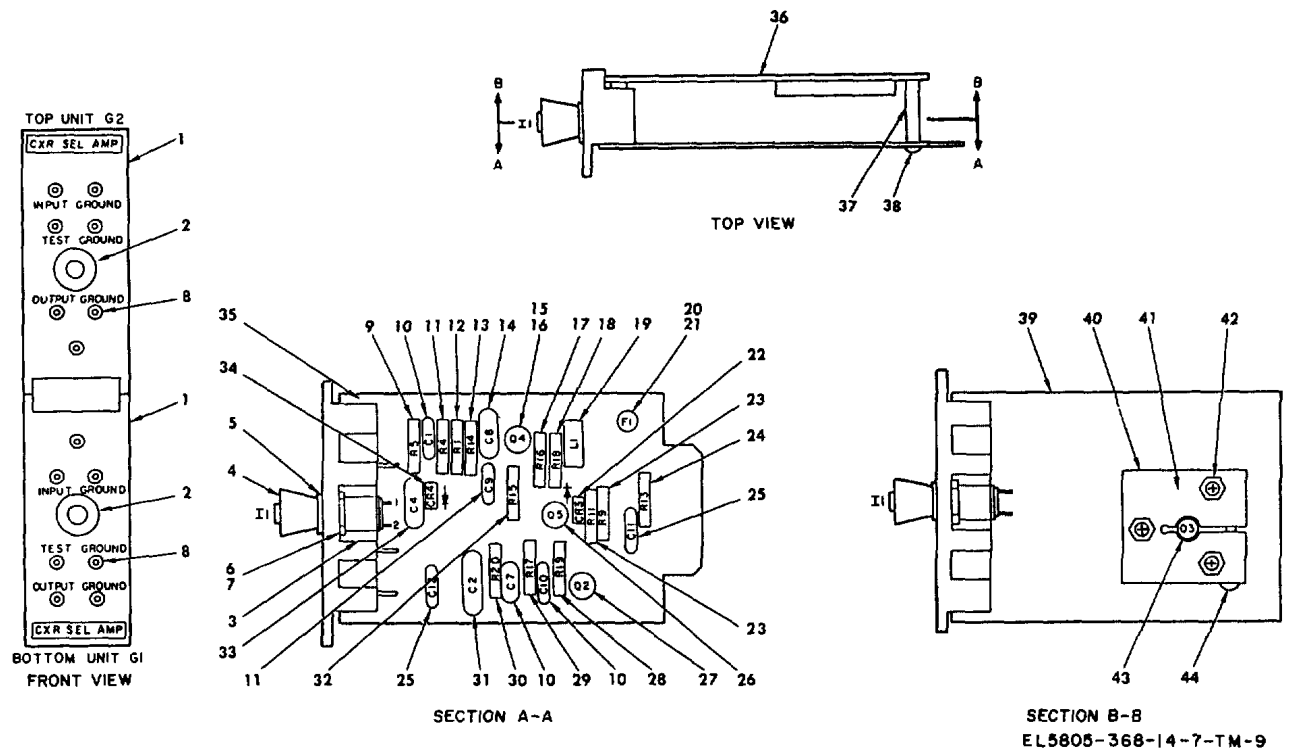


Figure 9. Selector amplifier assembly.

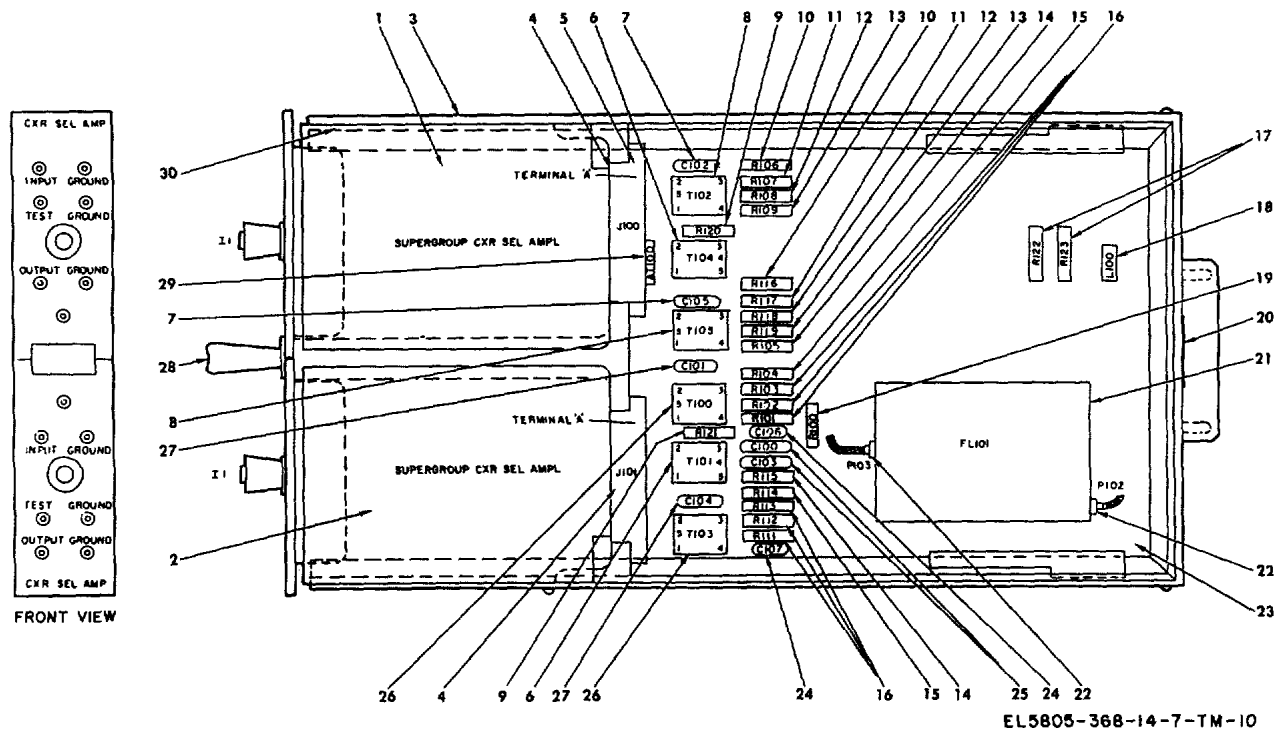
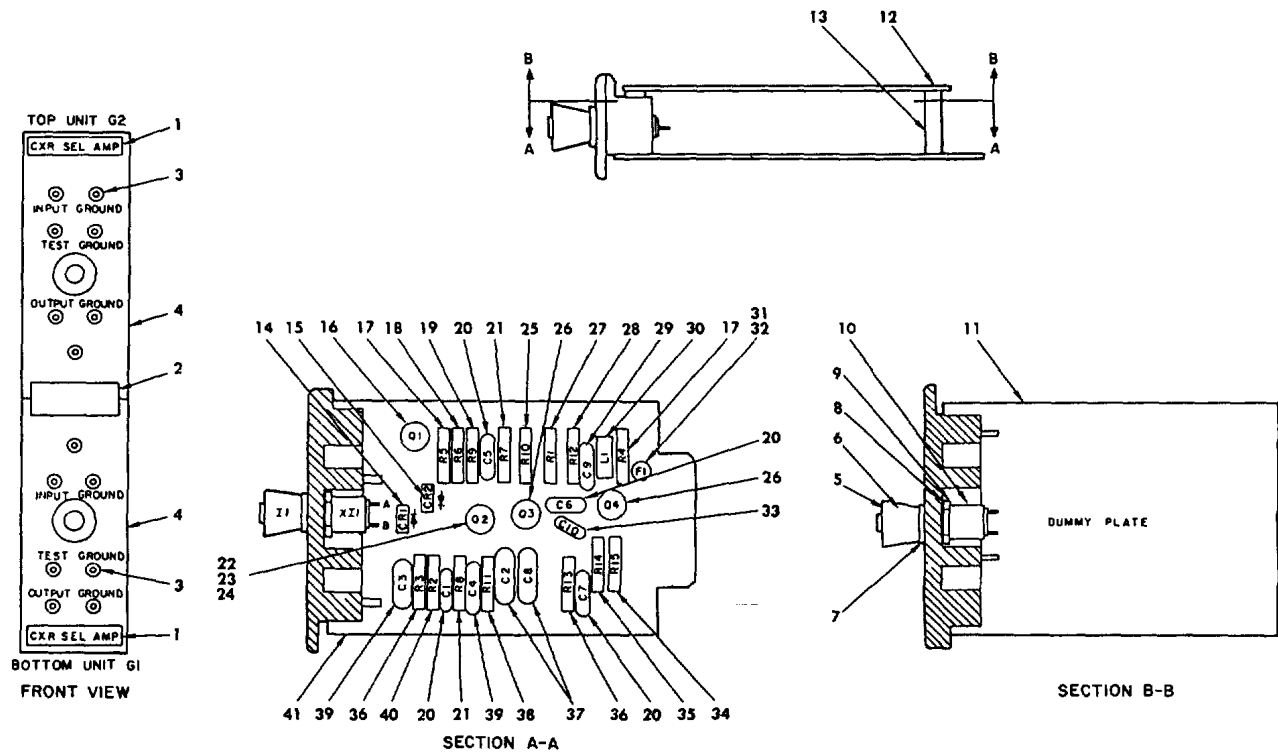


Figure 10. Supergroup carrier selector unit assembly.



EL5805-368-14-7-TM-11

Figure 11. Supergroup carrier amplifier assembly.

SECTION 234.1 FEDERAL STOCK NUMBER AND REFERENCE NUMBER INDEX

NOTE: LATEST FEDERAL STOCK NUMBER ASSIGNMENTS ARE INCLUDED AT END OF INDEX

Stock Number	Figure No.	Item No.	Stock Number	Figure No.	Item No.	Stock Number	Figure No.	Item No.
5305-082-3405	3	33	5905-062-0154	4	28	5935-583-2210	3	12
5305-082-3405	6	4	5905-062-0537	3	13	5935-583-2210	6	15
5305-860-2275	6	5	5905-062-5037	4	29	5935-583-2210	8	16
			5905-062-6662	3	7	5935-973-7753	9	8
			5905-079-4057	3	16	5935-583-2210	10	22
			5905-087-7166	3	24	5935-620-4100	7	3
5310-078-8453	4	7	5905-111-4858	7	18	5935-926-0247	5	2
5310-078-8453	9	6	5905-402-6956	8	9	5935-926-0247	7	2
5310-078-8453	11	8	5905-409-0396	8	8	5935-926-2944	3	4
5310-720-8111	6	7	5905-409-0396	10	14	5935-926-2944	8	4
5310-957-8991	1	3	5905-409-0398	5	3	5935-926-2944	10	4
5310-957-8991	2	3	5905-409-0398	7	7	5935-969-9043	5	6
5310-957-8992	1	4	5905-444-5525	7	8	5935-973-7753	4	2
5310-957-8992	2	4	5905-952-9428	3	9	5935-973-7753	11	3
5310-957-8992	4	5	5905-959-8340	10	29			
5310-957-8992	9	5	5905-964-2321	8	7			
5310-957-8992	11	7	5905-993-2267	4	26			
5310-962-1448	4	4	5910-085-2794	9	14			
5310-962-1448	9	4						
5310-962-1448	11	5	5910-944-4531	8	17			
5330-913-2436	9	42	5910-944-4540	3	26			
5340-085-0856	6	8	5910-944-4678	10	7			
5340-944-6037	6	6	5910-944-4697	9	33	5940-957-8234	7	4
5355-053-5698	3	31	5910-944-4697	11	39	5950-088-8600	3	5
5355-053-5698	8	32	5910-944-7184	8	5	5950-088-9021	3	28
5355-053-5698	10	28				5950-088-9021	8	14
5365-919-4899	4	22	5910-949-5390	8	6	5950-901-8169	8	20
5365-919-4899	9	37	5910-949-5390	9	10	5950-901-8170	8	19
5365-919-4899	11	13	5910-949-5390	11	20	5950-902-2773	10	6
5805-085-7218	9	16	5910-959-4436	3	11	5950-902-9004	8	26
5805-085-7218	11	23				5950-907-7606	8	15
5805-085-7231	11	11	5910-964-1345	11	37	5950-907-7607	8	10
5805-086-4775	9	1	5910-964-1346	9	25	5950-922-7729	9	19
5805-086-4775	11	4	5910-964-1346	10	27	5950-922-7729	11	30
5805-086-4776	9	35	5910-964-1346	11	29	5950-954-6745	5	4
5805-105-7261	4	23	5910-965-6162	3	25	5950-954-6745	7	9
5805-876-9572	10	2	5915-087-2235	10	21	5950-958-4942	10	18
5805-983-0371	9	1	5915-901-7195	8	18	5950-960-1380	5	5
5820-881-0148	8	1	5915-901-8155	10	21	5950-960-1380	7	10
5820-881-0149	8	2	5915-999-5214	3	18			
5820-907-2187	6	13	5920-902-8530	1	7			
5820-997-6198	10	1	5920-902-8530	2	7	5950-995-1770	10	26
5820-994-5084	3	2	5920-902-8530	9	20	5950-995-2886	10	8
5895-919-4901	3	23	5920-902-8530	11	31	5961-060-1655	9	27
5895-919-4901	6	17	5920-926-3105	4	24	5961-781-1011	9	15
			5920-973-8204	1	8	5961-842-6937	4	13
			5920-973-8204	2	8	5961-856-6308	9	34
5895-942-9995	10	3	5920-973-8204	4	25	5961-892-3502	9	43
5895-999-1641	3	1	5920-973-8204	9	21	5961-984-7733	5	1
5905-061-2120	3	8	5920-973-8204	11	32	5961-984-7733	7	1

SECTION 234.1 FEDERAL STOCK NUMBER AND REFERENCE NUMBER INDEX

Stock Number	Figure No.	Item No.	Stock Number	Figure No.	Item No.	Stock Number	Figure No.	Item No.
5961-985-1503	4	15	5999-086-4652	1	12	6240-944-4724	11	6
5961-988-3991	4	27	5999-086-4652	2	12	6240-944-4724	1	1
5961-995-1069	1	6	6210-952-1818	1	2	6240-944-4724	2	1
5961-995-1069	2	6	6210-952-1818	2	2	6250-690-1569	9	3
5961-995-2903	9	26	6210-952-1818	4	8	6250-690-1569	11	10
5975-964-1755	1	11	6240-944-4724	4	3	6625-118-0295	3	19
5975-964-1755	2	11	6240-944-4724	9	2	6625-118-0295	6	14

LATEST FEDERAL STOCK ASSIGNMENTS

Stock Number	Figure No.	Item No.	Stock Number	Figure No.	Item No.
4730-078-8451	4	6	5905-764-9783	10	10
4310-078-8451	9	7	5905-828-2454	9	23
4310-078-8451	11	9	5905-828-2454	11	17
5315-971-7734	3	27	5905-959-8340	10	29
5805-198-2913	8	3	5905-993-1356	3	29
5820-994-5084	3	2	5905-993-1356	8	11
5905-005-2683	11	27	5905-993-1356	10	9
5905-068-8282	5	14	5910-085-2730	9	31
5905-068-8282	7	17	5910-490-3767	4	10
5905-068-8282	8	13	5910-993-2023	3	6
5905-068-8282	10	11	5961-059-4464	11	22
5905-138-3378	9	12	5961-669-6884	9	22
5905-146-4164	4	12	5961-669-6884	11	15
5905-175-8541	9	17	5961-716-9426	11	24
5905-184-7794	11	28	5961-865-6308	11	14
5905-224-7414	3	17	5961-933-4643	8	31
5905-224-7414	8	28	6615-391-0372	11	26
5905-227-5092	5	13			
5905-227-5092	7	16			
5905-227-5093	3	14			
5905-227-5093	8	29			
5905-256-5065	11	19			
5905-403-3156	9	28			
5905-403-3156	11	36			
5905-409-7252	11	25			
5905-424-9451	4	16			
5905-424-9451	11	21			
5905-451-7522	1	9			
5905-451-7522	2	9			
5905-459-3275	11	35			
5905-461-6256	9	9			
5905-462-5673	9	11			
5905-462-5673	11	34			
5905-462-5720	4	11			
5905-471-2261	9	32			
5905-471-4440	1	10			
5905-471-4440	2	10			
5905-471-6255	9	13			
5905-483-4128	9	30			
5905-491-8744	4	18			
5905-629-6685	4	19			
5905-629-6685	11	38			
5905-759-8916	4	14			
5905-764-9783	3	10			

SECTION 234. 1 FEDERAL STOCK NUMBER AND REFERENCE NUMBER INDEX

NOTE: LATEST REFERENCE NUMBER ASSIGNMENTS ARE INCLUDED AT THE END OF INDEX

CK10BX153M	81349	11	20				
CLA-440-1	46384	6	7				
CMR01E680J3S	81349	10	24				
CM05E470GN3	81349	3	11				
CM05E560GN3	81349	3	25	RNR70C1962FS	81349	8	7
DM15E270J0500V	72136	11	33	RNR70C1962FS	81349	10	15
				RNR70C2870FS	81349	5	13
				RNR70C2870FS	81349	7	16
M21097-1-055	81349	3	4				
M21097-1-055	81349	8	4	RNR70C3831FS	81349	7	8
M21097-1-055	81349	10	4				
M23419-2-005	81349	4	24				
N210P13C13	08771	6	11	RNR70C4222FS	81349	3	14
N239496	08771	3	21	RNR70C4222FS	81349	8	29
N239498	08771	8	22	RNR70C75R0FS	81349	5	12
N37P9021C13	08771	6	5	RNR70C75R0FS	81349	7	15
N416P13	08771	6	10	RNR70C750FS	81349	10	17
N539P103	08771	3	33	RNR70C7500FS	81349	10	16
N539P103	08771	6	4	RN65D1102F	81349	3	13
N80P9017C13	08771	4	20	RN65D34R8F	81349	3	9
N80P9017C13	08771	9	38	RN65D3482F	81349	4	28
N80P9017C13	08771	11	12	RN65D4640F	81349	3	8
N80P9020C13	08771	9	44	RN65D5112F	81349	4	26
N82P13010D	08771	6	9	RN65D5620F	81349	4	29
NP239494	08771	6	16	RN65D5622F	81349	3	7
NP239503	08771	10	20	RN65D61R9F	81349	3	16
NP243378P8	08771	3	35	RN65D8250F	81349	3	24
NP243378P8	08771	6	3	SC4	14099	4	27
NP243378P8	08771	11	1	SSD753	13715	9	34
NP243378P9	08771	1	34	SSD753	13715	11	14
NP243378P9	08771	6	3				
NP243378P9	08771	11	1				
NP248782P18	08771	11	2				
NP248782P19	08771	11	2				
NP249156	08771	1	15	1N1695	81349	1	6
NP249156	08771	2	15	1N1695	81349	2	6
P101-499-24B	78553	1	13				
P101-499-24B	78553	2	13				
RCR20G471JS	81349	7	18	1213LL2	91459	5	2
RF71-1195	06978	3	5	1213LL2	91459	7	2
RLR20C102GS	81349	11	40	16-1266-5	74970	4	2
RLR20C103GS	81349	4	17	16-1266-5	74970	9	8
RLR20C682GS	81349	9	29	16-1266-5	74970	11	3
RLR20C752GS	81349	9	18	19A116080P109	08771	4	9
RLR20C903GS	81349	9	24				
RLR20C903GS	81349	11	18				
RNR70C1001FS	81349	8	9				
RNR70C1002FS	81349	8	8				
RNR70C1002FS	81349	10	14				
RNR70C11R0FS	81349	3	17				
RNR70C11R0FS	81349	8	28				
RNR70C1211FS	81349	5	3				
RNR70C1211FS	81349	7	7				
RNR70C1621FS	81349	10	12				

SECTION 234. 1 FEDERAL STOCK NUMBER AND REFERENCE NUMBER INDEX

Reference No.	Mfg Code	Fig No.	Item No.	Reference No.	Mfg Code	Fig No.	Item No.
				2N398B	03603	11	16
				2N428M	81349	5	1
				2N428M	08771	7	1
				2N497	81349	9	43
				2N598	81349	9	15
				2N706	81349	4	13
				207-360231-00	02768	6	8
				2151	83330	9	42
				216-160312-00	02768	5	8
				216-160312-00	02768	7	5
				27-1	02660	3	12
				27-1	02660	6	15
				27-1	02660	8	16
				27-1	02660	10	22
				27-3	02660	5	6
				27-3	02660	7	3
				2708-508-7538-00	72619	1	3
				2708-508-7538-00	72619	2	3
				272-100	75915	1	7
19B200676P1	08771	7	14	272-100	75915	2	7
19B200691G5	08771	6	13	272-100	75915	9	20
19B200691G6	08771	3	15	272-100	75915	11	31
19B200854P1	08771	4	4	281001	75915	1	8
19B200854P1	08771	9	4	281001	75915	2	8
19B200854P1	08771	11	5	281001	75915	4	25
19B201975P1	08771	9	35	281001	75915	9	21
19B202075P1	08771	4	21	281001	75915	11	32
19B202076P1	08771	4	30	2950-13	99800	9	19
19B203025P5	08771	6	2	2950-13	99800	11	30
19B203025P7	08771	3	34	3AL-635-2R	07387	11	24
19B203072P1	08771	6	1	38AS13-1535	72619	4	3
19B203072P2	08771	3	32	38AS13-1535	72619	9	2
19B203073P1	08771	5	16	38AS13-1535	72619	11	6
19B203617P1	08771	11	41	4029846P1	08771	10	5
19C300485G13	08771	3	22	4034499P3	08771	8	21
19C300485G14	08771	3	22	4034555P1	08771	11	11
19C300485G3	08771	6	18	403506P54	08771	7	6
19C300485G4	08771	6	18	4035111P1	08771	5	11
19C301320G1	08771	3	3	4035111P1	08771	7	13
19C301501G1	08771	8	3	4035306P54	08771	5	9
19C301506P1	08771	8	23	4035384G1	08771	8	26
19C301510G1	08771	10	3	4035472P1	08771	9	39
19C301516P1	08771	10	23	4035473P1	08771	9	41
19C310121P1	08771	6	6	4035501G1	08771	9	36
19C310135P1	08771	3	31	4035544P1	08771	9	40
19C310135P1	08771	8	32	4035793P1	08771	5	15
19C310135P1	08771	10	28	4035793P1	08771	7	11
19C310845G1	08771	10	1	4036555P1	08771	9	16
19C310845G2	08771	10	2	4036555P1	08771	11	23
19D400348P1	08771	3	20	4037156P1	08771	4	22
19D400383P1	08771	6	19	4037156P1	08771	9	37
2N1397	80131	9	26	4037156P1	08771	11	13
2N2189	01295	4	15	4038249P1	08771	8	27
2N2218A	03508	11	22	4901-000-0012-01	72619	1	5
2N3906	81349	11	26	4901-000-0012-01	72619	2	5
2N398B	03603	9	27	4901-000-0012-01	72619	4	6

SECTION 234. 1 FEDERAL STOCK NUMBER AND REFERENCE NUMBER INDEX

Reference No.	Mfg Code	Fig No.	Item No.	Reference No.	Mfg Code	Fig No.	Item No.
4901-000-0012-01	72619	9	7	5498762P1	08771	6	20
4901-000-0012-01	72619	11	9	549878001	08771	8	31
507-3841-1535-600	72619	1	1	5498780G1	08771	10	30
507-3841-1535-600	72619	2	1	5498842G1	08771	3	30
536	79963	5	7	5808-000-0012-04	72619	1	4
536	79963	7	4	5808-000-0012-04	72619	2	4
5491189P306	08771	3	26	5808-000-0012-04	72619	4	5
5491871P1500K	08771	8	30	5808-000-0012-04	72619	9	5
5491871P1700J	08771	8	25	5808-000-0012-04	72619	11	7
5492520P1	08771	1	14	601PE1040-5W2	84411	9	25
5492520P1	08771	2	14	601PE1040-5W2	84411	10	27
5492521P4	08771	1	16	601PE1040-5W2	84411	11	29
5492521P4	08771	2	16	601PE1045-5W2	84411	3	6
5492831P1	08771	3	23	601PE1540-5W	84411	9	33
5492831P1	08771	6	17	601PE1540-5W	84411	11	39
5492832P1	08771	3	19	601PE2240-5W	84411	11	37
5492832P1	08771	6	14	601PE2240-5W2	84411	10	25
5492868P2	08771	8	24	601PE2245R50W	84411	9	14
5492941P8	08771	5	17	601PE3340-5W2	84411	8	5
5492941P9	08771	7	19				
5492948G1	08771	10	21	601PE3340-5W2	84411	10	7
5492948G2	08771	10	21	601PE4730-5W2	84411	8	17
5493034G1	08771	4	23	601PE6830-5W	84411	8	6
5493637G1	08771	8	18	601PE6830-5W	84411	9	10
5495589G126	08771	8	19				
5495589G127	08771	8	20	71-1140	06978	3	28
5495948P389	08771	10	13	71-1140	06978	8	14
5495948P69	08771	10	19	71-1196	06978	3	27
5495971P1	08771	10	29	71-1196	06978	8	12
5496056P1	08771	1	12	71-1251	06978	10	26
5496056P1	08771	2	12	71-1252	06978	10	6
5496248G1	08771	3	2	71-1325	06978	5	5
5496248G2	08771	3	1	71-1325	06978	7	10
5496461G2	08771	3	18	71-1326	06978	10	8
5496633G1	08771	8	1	7142162P77	08771	5	10
5496633G2	08771	8	2	7142162P77	08771	7	12
5496660P1	08771	8	15	7488079P10	08771	10	18
5496661P1	08771	8	10	7538	72619	9	3
5496769P1	08771	5	4	7538	72619	11	10
5496769P1	08771	7	9	7538 CLEAR	72619	1	2
5498720G10	08771	4	1	7538 CLEAR	72619	2	2
5498720G11	08771	9	1	7538 CLEAR	72619	4	8
5498720G11	08771	11	4	8078A	95264	1	11
5498720G12	08771	9	1	8078A	95264	2	11
5498720G12	08771	11	4	8101-000-0012-01	72619	4	7
5498720G30	08771	6	12	8101-000-0012-01	72619	9	6
5498720G9	08771	4	1	8101-000-0012-01	72619	11	8

SECTION 234.1 FEDERAL STOCK NUMBER AND REFERENCE NUMBER INDEX
LATEST REFERENCE NUMBER ASSIGNMENTS

Reference No.	Mfg Code	Fig No.	Item No.	Reference No.	Mfg Code	Fig No.	Item No.
JAN277	81349	9	22				
JAN277	81349	11	15				
RNC60H1101FS	81349	4	14				
RNC60H1781FS	81349	9	11				
RNC60H1781FS	81349	11	34				
RNC60H1782FS	81349	4	19				
RNC60H1782FS	81349	11	38				
RNC60H2151FS	81349	9	30				
RNC60H2611FS	81349	11	25				
RNC60H2871FS	81349	4	11				
RNC60H3161FS	81349	9	13				
RNC60H3162FS	81349	9	9				
RNC60H3482FS	81349	1	10				
RNC60H3482FS	81349	2	10				
RNC60H3831FS	81349	4	16				
RNC60H3831FS	81349	11	21				
RNC60H4220FS	81349	9	17				
RNC60H4641FS	81349	4	12				
RNC60H5110FS	81349	11	19				
RNC60H5111FS	81349	9	28				
RNC60H5111FS	81349	11	36				
RNC60H5112FS	81349	1	9				
RNC60H5112FS	81349	2	9				
RNC60H5113FR	81349	9	23				
RNC60H5113FR	81349	11	17				
RNC60H61R9FS	81349	11	27				
RNC60H6191FS	81349	4	18				
RNC60H68R1FS	81349	11	35				
RNC60H8251FS	81349	11	28				
RNC60H90R9FS	81349	9	12				
RNC60H9090FS	81349	9	32				
RN65D19R6F	81349	5	14				
RN65D19R6F	81349	7	17				
RN65D19R6F	81349	8	13				
RN65D19R6F	81349	10	11				
RN65D38R3F	81349	3	29				
RN65D38R3F	81349	10	9				
RN65D42R2F	81349	3	10				
RN65D42R2F	81349	10	10				
601PE3345R50W	84411	9	31				
601PE6835R50W	84411	4	10				

By Order of the Secretary of the Army:

CREIGHTON W. ABRAMS
General, United States Army
Chief of Staff

Official:

VERNE L. BOWERS
Major General, United States Army
The Adjutant General

Distribution:

Active Army'

CNGB (1)
 USASA (2)
 USAMB (10)
 ACSC-E (2)
 USACDCEC (5)
 OS Maj Comd (2)
 USACC (5)
 USACC-CONUS (3)
 USACC-EUR (3)
 USACC-PAC (3)
 USACC-SIG-SP-T (10)
 USACC-Sig Gp, Okinawa (3)
 USACC Sig Gp, Japan (5)
 USACC Comm Op Fac, Korea (3)
 USACC Sig Bde, Korea (3)
 USACC Sig Gp, Taiwan (2)
 USACC-Eur, Sig Gp #4 (2)
 USACC-Eur, Sig Gp #22 (2)
 USACC-Eur, Sig Gp #106 (2)
 USACC-SO (2)
 ARADCOM (1)
 LOGCOMDS (5)
 8th USA (5)
 Sig FLDMS (1)
 LBAD (5)
 SAAD (10)


TOAD (10)
 USACSA (2)
 TECOM (2)
 HISA (ECOM) (5)
 USA Ascom Depot (3)
 USA Cp Carroll Depot (3)
 Units org under fol TOE:
 (1 copy each unit)
 11-15
 11-45
 11-97
 11-98
 11-158
 11-302
 11-303
 11-347
 11-357
 11-367
 11-368
 11-377
 11-500(AA-AC)
 29-118
 29-134
 29-136
 29-137

NG: None

USAR. None

For explanation of abbreviations used, see AR 310-50.

RECOMMENDED CHANGES TO EQUIPMENT TECHNICAL PUBLICATIONS

 <div style="border: 1px solid black; border-radius: 15px; padding: 5px; margin: 10px auto; width: 80%; text-align: center;"> <p><i>THEN...JOT DOWN THE DOPE ABOUT IT ON THIS FORM. CAREFULLY TEAR IT OUT, FOLD IT AND DROP IT IN THE MAIL.</i></p> </div>		SOMETHING WRONG WITH PUBLICATION		
		FROM: (PRINT YOUR UNIT'S COMPLETE ADDRESS)		
PUBLICATION NUMBER		DATE SENT		
PUBLICATION DATE		PUBLICATION TITLE		
BE EXACT PIN-POINT WHERE IT IS				
PAGE NO.	PARA-GRAPH	FIGURE NO.	TABLE NO.	<p style="text-align: center; font-weight: bold;">IN THIS SPACE, TELL WHAT IS WRONG AND WHAT SHOULD BE DONE ABOUT IT.</p>
PRINTED NAME, GRADE OR TITLE AND TELEPHONE NUMBER			SIGN HERE	

PIN: 021877-000