

6. VAV. G. AT. 2,1/93

10 OCT 1950

HKGS-STAF ADJ.

C.

K2-13

ARMY SERVICE FORCES CATALOG

ORD 9 SNL G-511

List of All Service Parts

ORDNANCE SUPPLY CATALOG

Group G

Technical Reference { TM 9-817
TM 9-1817

Vervalen
List of All Service Parts

for

Truck, 5 to 6-Ton, 4 x 4, C. O. E., Ponton Tractor and Van (Autocar Models U-8144-T and U-8144)

Supersedes ORD 9, SNL G-511, 15 December 1943

Headquarters, Army Service Forces, 1 October 1945

201 Td. Groep	
Afd. Bevoorrading	
Nr.	
Paraaf	

Headquarters, Army Service Forces

Washington 25, D. C., 1 October 1945

Army Service Forces Ordnance Supply Catalog, ORD 9, SNL G-511, 1 October 1945, has been prepared under the supervision of the Chief of Ordnance and is published for the information and guidance of all concerned.

[SPX 461 (15 August 45)]

BY COMMAND OF GENERAL SOMERVELL:

Official:

EDWARD F. WITSELL

Major General

Acting The Adjutant General

LeR. LUTES

Lieutenant General, GSC

Chief of Staff

Distribution :

AAF (10); AGF (10); ASF (2); T of Opn (10); Arm & Sv Bd (1); S Div ASF (1); Tech Sv (2); Sv C (10); PC&S (1); except Air Bases (0); PE (5); Dist O, 9 (5); Dist Br O, 9 (3); Reg O, 9 (3); Establishments 9 (except Am Establishments) (3); Decentralized Sub-0, 9 (1); Tk Dep 9 (5); Gen & Sp Sv Sch (10); USMA (2); A (10); CHQ (10); D (1); R 9 (1); Bn 9 (1); C 9 (1).

Refer to FM 21-6 for explanation of distribution formula.

ARMY SERVICE FORCES CATALOG

ORD 9 SNL G-511

List of All Service Parts

ORDNANCE SUPPLY CATALOG

Group G

Technical Reference { TM 9-817
TM 9-1817

LIST OF ALL SERVICE PARTS

for

**Truck, 5 to 6-Ton,
4 x 4, C. O. E.
Ponton Tractor
and Van**

(Autocar Models U-8144-T and U-8144)

G-E-N-E-R-A-L I-N-F-O-R-M-A-T-I-O-N—This is a list of all items of Service for the Truck, 5 to 6-Ton, 4 x 4, C. O. E., Ponton Tractor and Van (Autocar Models U-8144-T and U-8144), arranged according to standardized government grouping. *WARNING: Many of the parts listed herein are not stocked for issue. See ORD 7 and 8 of the appropriate major combination SNL for those parts stocked for issue. In case parts not listed in ORD 8 are needed, separate requisitions for these parts should be forwarded through normal supply channels with justification therefor.*

This list of all service parts is to be used for identification and storage purposes. Every individual part is not necessarily stored itself; in fact, many parts are stored as authorized assemblies. Such

QUICK REFERENCE INDEX

GENERAL INFORMATION

01 ENGINE

02 CLUTCH

03 FUEL

04 EXHAUST

05 COOLING

06 ELECTRICAL

07 TRANSMISSION

08 TRANSMISSION TRANSFER

09 PROPELLER SHAFTS

10 FRONT AXLE

11 REAR AXLE

12 BRAKES

13 WHEELS, HUBS, AND DRUMS

14 STEERING

15 FRAME AND BRACKETS

16 SPRINGS AND SHOCK ABSORBERS

17 FENDERS, RUNNING BOARDS

18 BODY

20 WINCH

21 GUARDS

22 MISC. BODY, CHASSIS AND ACCESSORIES

Armament, Sighting and Fire Control Equipment

INDEXES

H-1	H001-1516008	12-18	(AUC-A-1141) (BWE-202982)	4	WASHER, lock, relay valve.....
	D024-5238159	12-18	(AUC-A-1130) (BWE-202696)	1	WASHER, relay valve diaphragm (also part of KIT, AUC-25UUA0630S).....
	G116-2124086	12-16	(AUC-A-1199) (BWE-204847)	1	1208.6 — AIR BRAKE QUICK RELEASE VALVE
	G116-2140225	12-16	(AUC-A-1200) (BWE-211028)	1	BODY, quick release valve.....
	M009-0106260	12-16	(AUC-A-1201) (BWE-203328)	1	COVER, quick release valve.....
	G116-1551605	12-16	(AUC-A-1202) (BWE-211379)	1	DAMPENER, quick release valve (also part of KIT, AUC-25UU061S).....
	G671-7001769	12-16	(AUC-25UU061S) (BWE-221368)	1	DIAPHRAGM, quick release valve (also part of KIT, AUC-25UU061S).....
	M009-0106260		(AUC-A-1201) (BWE-203328)	1	KIT, repair, quick release valve.....
	G116-1551605		(AUC-A-1202) (BWE-211379)		(Composed of:
	M009-0106836		(AUC-A-1204) (BWE-202588)		1 DAMPENER, quick release valve
	M009-0106250	12-16	(AUC-A-1203) (BWE-202587)	1	1 DIAPHRAGM, quick release valve
	M009-0106836	12-16	(AUC-A-1204) (BWE-202588)	1	1 SPRING, quick release valve)
	G116-1827264	12-7	(AUC-25G261) (BWE-205000)	1	SEAT, quick release valve spring.....
	H001-0718002		220065 (AUC-S-82)	2	SPRING, quick release valve (also part of KIT, AUC-25UU061S).....
H-1	H001-1013020		216932 (AUC-S-32)	2	VALVE, quick release, assembly.....
	H001-1518008		103320 (AUC-S-1346)	2	NUT, reg., hex., s-fin., S., 5/16-18NC-2.....
	G160-0115864	12-23	(AUC-A-1212) (BWE-213202)	4	SCREW, cap, hex-hd., S., 5/16-18NC-2 x 1 1/4.....
	G116-2124080	12-24	(AUC-A-1205) (BWE-217697)		WASHER, lock, reg., S., 5/16 in. (0.328 I.D. x 0.578 O.D. 1/8 x 1/16 thick).....
	G116-2124074	12-23	(AUC-A-1213) (BWE-213237)		1208.7 — AIR BRAKE CHECK VALVES
	H001-1013224	12-24	(AUC-A-1206) (BWE-212207)	1	BALL, single check valve (also part of KIT, AUC-25UU0187S).....
				1	BODY, double check valve, assembly.....
				1	BODY, single check valve.....
H-1				2	BOLT, hex., double check valve.....

GROUP 12 — BRAKES (Cont'd)

(1) Note Sym- bol	(2) Stock Number	(3) Figure Number	(4) Ordinance or Manufacturers' Part No.	(5) Ordinance or Manufacturers' Drawing No.	(6) N O M E N C L A T U R E	(7) Quan. per Unit Assy.	(8) Unit Price
					1208.7 — AIR BRAKE CHECK VALVES — Continued		
	G116-2131543	12-24	(AUC-A-1207) (BWE-212206)		COVER, double check valve.....	2	
	G116-1693936	12-23	(AUC-A-1214) (BWE-213234)		GASKET, single check valve (also part of KIT, AUC-25UU0187S).....	1	
	G116-2205632	12-23	(AUC-A-1215) (BWE-213232)		GUIDE, ball, single check valve.....	1	
	G160-0427477		(AUC-25UU0226S) (BWE-221370)		KIT, repair, double check valve.....	1	
	G160-0382808		(AUC-A-1209) (BWE-210354)		(Composed of: 2 SEAL, double check valve		
	G160-0427270		(AUC-A-1210) (BWE-212205)		1 VALVE, double check)		
	G160-0105325		(AUC-25UU0187S) (BWE-221389)		KIT, repair, single check valve.....	1	
	G160-0115864		(AUC-A-1212) (BWE-213202)		(Composed of: 1 BALL, single check valve		
	G116-1693936		(AUC-A-1214) (BWE-213234)		1 GASKET, single check valve		
	G160-0314903		(AUC-A-1216) (BWE-213231)		1 NUT, cap, single check valve		
	G116-1789688		(AUC-A-1218) (BWE-213235)		1 SPRING, single check valve)		
	G160-0314903	12-23	(AUC-A-1216) (BWE-213231)		NUT, cap, single check valve (also part of KIT, AUC-25UU0187S).....	1	
	G116-2314775	12-24	(AUC-A-1208) (BWE-203147)		NUT, hex., double check valve.....	2	
	G160-0382808	12-24	(AUC-A-1209) (BWE-210354)		SEAL, double check valve (also part of KIT, AUC-25UU0226S).....	2	
	G116-2382821	12-23	(AUC-A-1217) (BWE-213236)		SEAT, single check valve spring.....	1	
	G116-1789688	12-23	(AUC-A-1218) (BWE-213235)		SPRING, single check valve (also part of KIT, AUC-25UU0187S).....	1	
	G160-0427270	12-24	(AUC-A-1210) (BWE-212205)		VALVE, shuttle, double check (also part of KIT, AUC-25UU0226S).....	1	
	0850-217698	12-7, 24	(AUC-25C2226) (BWE-217698)	(AUC-25C2226)	VALVE, double check, shuttle type, assembly.....	2	
	H001-0718002		220065 (AUC-S-82)		NUT, reg., hex., s-fin., S., 5/16-18NC-2.....	2	

H-1	H001-1013020	216932 (AUC-S-32)	2	SCREW, cap, hex-hd., S., 5/16-18NC-2 x 1 1/4.....
H-1	H001-1518008	103320 (AUC-S-1346)	4	WASHER, lock, reg., S., 5/16 in. (0.328 I.D. x 0.578 O.D. 1/8 x 1/16 thick).....
	G116-1827266	(AUC-25C0187) (BWE-220306)	1	VALVE, single check, assembly.....
H-1	H001-7018681	(AUC-A-1211) (BWE-203567)	2	WASHER, lock, double check valve.....
1208.8 — AIR BRAKE AIR SUPPLY AND SAFETY VALVES				
	G116-2115854	(AUC-A-1219) (BWE-213203)	1	BALL, steel, air brake safety valve.....
	G160-0124086	(AUC-A-1220) (BWE-201609)	1	BODY, air brake safety valve.....
	G160-0131343	(AUC-A-1523) (BWE-214489)	1	BODY, air supply valve.....
		(AUC-A-1221) (BWE-201610)	1	CAGE, spring, air brake safety valve.....
		(AUC-A-1524) (BWE-204866)	1	CAP, air supply valve.....
	H001-0924029	(AUC-2T0986) 102669	1	CHAIN, air supply valve cap (5 in. long)
H-1	H001-0811050	(AUC-S-551) 103384	1	RIVET, S., button-hd., 1/8 x 7/16.....
H-1	0850-202675	(AUC-S-2203)	1	PIN, cotter, split, S., 1/8 x 3/4.....
	G160-0314895	(AUC-A-1525) (BWE-202675)	1	KEY, air supply valve.....
	G160-0314896	(AUC-10G279)	1	LINK, air supply valve cap chain.....
		(AUC-A-1222) (BWE-201611)	1	NUT, adjusting, air brake safety valve.....
		(AUC-A-1223) (BWE-201612)	1	NUT, lock, air brake safety valve.....
	G160-0338497	(AUC-A-1527)	1	PIN, air supply valve key (S., .0915 x 3/8).....
	G160-0382889	(AUC-A-1526) (BWE-203372)	1	PIN, cotter, air supply valve key.....
	G116-1789689	(AUC-A-1224) (BWE-201613)	1	PIN, release, air brake safety valve.....
	G671-7001765	(AUC-A-1225) (BWE-201615)	1	SEAT, spring, air brake safety valve.....
		(AUC-A-1226) (BWE-201614)	1	SPRING, air brake safety valve.....
		(AUC-A-1528) (BWE-202677)	1	SPRING, air supply valve key.....

GROUP 12 — BRAKES (Cont'd)

(1) Note Sym- bol	(2) Stock Number	(3) Figure Number	(4) Ordnance or Manufacturers' Part No.	(5) Ordnance or Manufacturers' Drawing No.	(6) N O M E N C L A T U R E	(7) Quan. per Unit Assy.	(8) Unit Price
	G160-0427261	12-19	(AUC-25A2110) (BWE-221192) (AUC-25B2110)	(AUC-25A2110) (AUC-25B2110)	1208.8 — AIR BRAKE AIR SUPPLY AND SAFETY VALVES — Continued	1	
H-1	H001-0718001		(AUC-25A21060) 220064 (AUC-S-76)	(AUC-25A21060)	VALVE, air supply, w/CAP, assembly	1	
H-1	H001-1030138		113959 (AUC-S-1607A)		VALVE, air supply, w/CAP, assembly (cap drilled for chain rivet)	1	
H-1	H001-1518007		103319 (AUC-S-1345)		VALVE, air supply, w/CAP and CHAIN, assembly	1	
	G137-0427253	12-7	(AUC-25G231)	(AUC-25G231)	NUT, reg., hex., s-fin., S., 1/4-20NC-2	2	
	0850-202676	12-19	(BWE-205105) (AUC-A-1529)		SCREW, machine, rd-hd., S., 1/4-20NC-2 x 1	2	
	0850-202678	12-19	(BWE-202676) (AUC-A-1530) (BWE-202678)		WASHER, lock, reg., S., 1/4 in. (0.265 I.D. x 0.453 O.D. 3/32 x 1/16 thick)	4	
					VALVE, safety, air brake, assembly	1	
					WASHER, air supply valve key	1	
					WASHER, air supply valve key	1	
					1208.9 — AIR BRAKE STOP LIGHT SWITCH		
	G160-0124090	12-21	(AUC-A-1370) (BWE-203380)		BODY, stop light switch	1	
	G160-0139995	12-21	(AUC-A-1371) (BWE-203622)		CONNECTOR, stop light switch terminal (also part of KIT, AUC-25NT0130S)	1	
	G160-0140215	12-21	(AUC-A-1372) (BWE-203621)		COVER, stop light switch	1	
	G160-0151600	12-21	(AUC-A-1373) (BWE-203381)		DIAPHRAGM, stop light switch (also part of KIT, AUC-25NT0130S)	1	
	G160-0393850		(AUC-25NT0130S)		KIT, repair, stop light switch	1	
	G160-0139995		(BWE-221363) (AUC-A-1371)		(Composed of: 1 CONNECTOR, stop light switch terminal		
	G160-0151600		(BWE-203622) (AUC-A-1373)		1 DIAPHRAGM, stop light switch		
	G160-0314898		(BWE-203381) (AUC-A-1259) (BWE-203059)		2 NUT, stop light switch		

GROUP 12 — BRAKES (Cont'd)

(1) Note Sym- bol	(2) Stock Number	(3) Figure Number	(4) Ordinance or Manufacturers' Part No.	(5) Ordinance or Manufacturers' Drawing No.	(6) N O M E N C L A T U R E	(7) Quan. per Unit Assy.	(8) Unit Price
					1209 — AIR COMPRESSOR AND PARTS, TANKS AND FITTINGS — Continued		
		12-22	(AUC-A-1275) (BWE-212340)		BODY, air compressor cylinder head.....	1	
	0850-202893	12-22	(AUC-A-1277) (BWE-202893) (AUC-25UU0417) (HM-17909D) (AUC-S-200)		BOLT, air compressor connecting rod.....	4	
H-1	H001-1013071		217054 (AUC-S-25)		BRACKET, air compressor.....	1	
H-1	H001-1013077		217068 (AUC-S-4077)		SCREW, cap, air compressor bracket (fl-hd., S., 1/2-13NC-2 x 1).....	1	
H-1	H001-1518011		114620 (AUC-S-3294)		SCREW, cap, hex-hd., S., 1/2-13NC-2 x 1 1/4.....	2	
H-1	H001-0718005	12-7	103323 (AUC-S-1349) (AUC-25GQ403) 220068 (AUC-S-77)	(AUC-25GQ403)	SCREW, cap, hex-hd., S., 1/2-13NC-2 x 2 3/4.....	1	
H-1	H001-1013072		217055 (AUC-S-1872)		WASHER, lock, air compressor bracket (ext. teeth, ck., S., 1/2 in.).....	1	
H-1	H001-1013073		217056 (AUC-S-3100)		WASHER, lock, reg., S., 1/2 in. (0.515 I.D. x 0.859 O.D. 1 1/64 x 1/8 thick).....	3	
H-1	H001-7017740		114608 (AUC-S-3179)		BRACKET, air reservoir tank.....	2	
H-1	H001-1518011		103323 (AUC-2UU21659)	(AUC-2UU21659)	NUT, reg., hex., s-fin., S., 1/2-13NC-2.....	6	
H-1	H001-1013071		217054 (AUC-S-25)		SCREW, cap, hex-hd., S., 1/2-13NC-2 x 1 1/2.....	4	
H-1	H001-1518011		114620 (AUC-S-3294)		SCREW, cap, hex-hd., S., 1/2-13NC-2 x 1 3/4.....	2	
H-1	H001-1518011		103323 (AUC-2UU21659)	(AUC-2UU21659)	WASHER, lock, ext. teeth, reg., S., 1/2 in.....	6	
H-1	H001-1013071		217054 (AUC-S-25)		WASHER, lock, reg., S., 1/2 in. (0.515 I.D. x 0.859 O.D. 1 1/64 x 1/8 thick).....	6	
H-1	H001-1518011		114620 (AUC-S-3294)		BUSHING, air compressor bracket bolt (used with SUPPORT, AUC-2UU31662 only).....	1	
H-1	H001-1518011		103323 (AUC-S-1349) (AUC-25UU0464) (BWE-202988)		SCREW, cap, hex-hd., S., 1/2-13NC-2 x 1 1/4.....	1	
H-1	0850-202988	12-22			WASHER, lock, air compressor bracket bolt bushing (ext. teeth, ck., S., 1/2 in.).....	1	
					WASHER, lock, reg., S., 1/2 in. (0.515 I.D. x 0.859 O.D. 1 1/64 x 1/8 thick).....	1	
					BUSHING, air compressor connecting rod.....	2	

0850-204115	12-22	(AUC-A-1278) (BWE-204115)	BUSHING, air compressor unloader valve.....	2
H006-0100805	12-7	A159378 (AUC-25G241) (BWE-215310)	COCK, drain, spring-key, br., tee-hdl., 1/4 in. (air reservoir tank).....	2
0850-221524	12-22	(AUC-25HCA410) (BWE-221524)	COMPRESSOR, air, assembly (Model 2-UE-7 1/4-VW).....	1
0850-220877		(AUC-25HC510) (BWE-220877)	COMPRESSOR, air, w/FITTINGS, assembly (superseded by COMPRESSOR, AUC-25HC410).....	1
0850-220877	01-2	(AUC-25HC410) (BWE-220877)	COMPRESSOR, air, w/FITTINGS, assembly (supersedes COMPRESSOR, AUC-25HC510).....	1
0850-221524		(AUC-25HCA410) (BWE-221524)	(Composed of: 1 COMPRESSOR	
0850-220054		(AUC-25G0375) (BWE-220054)	1 ELBOW, discharge	
G509-0193837		(AUC-25A033) (BWE-205135)	1 ELBOW, unloader	
H006-0273210		(AUC-25A0416) (BWE-204820)	1 GASKET, discharge fitting	
G116-1540209		192052 (AUC-S-4521)	1 NIPPLE)	
G116-1540203	12-22	(AUC-A-1282) (BWE-203243)	COVER, air compressor inlet chamber.....	2
G116-1605400		(AUC-A-1279) (BWE-203115)	COVER, air compressor unloader box.....	1
G671-7001774	12-22	(AUC-A-1281) (BWE-203106)	COVER, dust, air compressor diaphragm follower.....	1
G125-1140113		(AUC-25UUA0439) (BWE-204619)	COVER, end, air compressor, front.....	1
0850-217688	12-22	(AUC-25UU0439) (BWE-203446)	COVER, end, air compressor, rear.....	1
G671-7001773	12-22	(AUC-A-1283) (BWE-230135)	COVER, unloader, air compressor.....	1
G116-1551603	12-22	(AUC-A-1284) (BWE-217688)	CRANKCASE, air compressor, complete.....	1
0850-220054		(AUC-25UU0873) (BWE-211968)	CRANKSHAFT, air compressor.....	1
		(AUC-A-1285) (BWE-203109)	DIAPHRAGM, unloader, air compressor cylinder head (also part of KIT, AUC-25UU0459S).....	2
		(AUC-25G0375) (BWE-220054)	ELBOW, air compressor discharge.....	1
		(AUC-25A033) (BWE-205135)	ELBOW, unloader, air compressor.....	1
		(AUC-A-1287) (BWE-203108)	FOLLOWER, air compressor diaphragm.....	1

GROUP 12 — BRAKES (Cont'd)

(1) Note Sym- bol	(2) Stock Number	(3) Figure Number	(4) Ordinance or Manufacturers' Part No.	(5) Ordinance or Manufacturers' Drawing No.	(6) N O M E N C L A T U R E	(7) Quan. per Unit Assy.	(8) Unit Price
					1209 — AIR COMPRESSOR AND PARTS, TANKS AND FITTINGS — Continued		
	0850-230125		(AUC-A-1288) (BWE-280125) (AUC-25UU0219) (HM-35703D)		GASKET, air compressor box cover.....	1	
	G116-1594081	12-22	(AUC-25UU0219A) (HM-17983A) (AUC-A-1289) (BWE-202898)		GASKET, air compressor bracket (superseded by GASKET, AUC-25UU0219A).....	1	
	G116-1594030	12-22	(AUC-25UU0299) (BWE-203462)		GASKET, air compressor bracket (supersedes GASKET, AUC-25UU0219).....	1	
	G509-0193837		(AUC-25A0416) (BWE-204820)		GASKET, air compressor cylinder block (also part of GASKET SET, AUC-25UU010S).....	1	
	G126-0194016	12-22	(AUC-A-1291) (BWE-203052)		GASKET, air compressor end cover (also part of GASKET SET, AUC-25UU010S).....	2	
	G126-0194017	12-22	(AUC-A-1292) (BWE-203242)		GASKET, air compressor inlet chamber (also part of GASKET SET, AUC-25UU010S).....	2	
	G160-0194031	12-22	(AUC-A-1293) (BWE-203742)		GASKET, air compressor crankcase oil seal (also part of GASKET SET, AUC-25UU010S).....	1	
	0850-211376	12-22	(AUC-25UUA0219) (BWE-211376) (AUC-25UU010S)		GASKET, mounting, air compressor (also part of GASKET SET, AUC-25UU010S).....	1	
	G098-6900043		(BWE-221358) (AUC-A-1289) (BWE-202898)		GASKET SET, air compressor..... (Composed of: 1 GASKET, air compressor cylinder block	1	
	G116-1594081		(AUC-25UU0299) (BWE-203462)		1 GASKET, air compressor cylinder head	1	
	G116-1594030		(AUC-25A0416) (BWE-204820)		1 GASKET, air compressor discharge elbow	1	
	G509-0193837		(AUC-A-1291) (BWE-203052)		2 GASKET, air compressor end cover	2	
	G126-0194016		(AUC-A-1292) (BWE-203242)		3 GASKET, air compressor inlet chamber	3	
	G126-0194017		(AUC-25UUA0219) (BWE-211376)		1 GASKET, mounting, air compressor	1	

H-1	G160-0194031	(AUC-A-1293)	1	1	GASKET, air compressor oil seal)
	0850-217490	(BWE-203742)			HEAD, cylinder, air compressor, complete
	H001-0518035	(AUC-25UU0459)			KEY, air compressor pulley (Woodruff, S., 1/4 x 1, No. 808)
	0850-221359	(BWE-217490)			KIT, repair, air compressor cylinder head
	G116-1551603	(AUC-25UU0878)			(Composed of:
	G116-1594030	(BWE-113782)			2 DIAPHRAGM, unloader, air compressor cylinder head
	G509-0193837	(AUC-25UU0459S)			1 GASKET, air compressor cylinder head
	G116-1714895	(BWE-221359)			1 GASKET, air compressor discharge elbow
	H101-0124818	(AUC-A-1285)			2 NUT, cap, air compressor cylinder head discharge, w/SPRING, assembly
	G116-1658773	(BWE-203109)			2 NUT, lock, air compressor cylinder head
	G116-1782051	(AUC-25UU0299)			2 RING, retaining, air compressor cylinder head
H-1	H001-1030136	(BWE-203104)			2 SCREW, adjusting, air compressor cylinder head
	G116-1789800	(AUC-A-1318)			2 SCREW, machine, air compressor cylinder head
	G116-1789839	(BWE-202846)			1 SPRING, lever, air compressor cylinder head
	G116-1792122	(AUC-A-1319)			2 SPRING, unloader, air compressor cylinder head
	0850-203102	(BWE-203114)			2 STOP, unloader, air compressor cylinder head
	G126-0427251	(AUC-A-1331)			2 VALVE, discharge, air compressor cylinder head
	G116-1674285	(BWE-203102)			2 VALVE, unloader, air compressor cylinder head
H-6	H006-0273210	(AUC-A-1332)			LEVER, unloader, air compressor
	H001-4220540	(BWE-212155)			NIPPLE, pipe, S., std., short, glvd., 1/4 x 1/2 (air compressor)
	H001-0718023	(AUC-A-1297)			NUT, air compressor connecting rod (1/4 in., slotted)
	H001-0718022	(BWE-215210)			NUT, air compressor cylinder block stud
	G160-0314868	192052			NUT, air compressor end cover stud
		(AUC-S-4521)			NUT, air compressor pulley
		(AUC-A-1298)			
		(BWE-203021)			
		(AUC-A-1303)			
		(BWE-203004)			
		(AUC-A-1169)			
		(BWE-203003)			
		(AUC-25UU0892)			
		(BWE-202926)			

GROUP 12 — BRAKES (Cont'd)

(1) Note Sym- bol	(2) Stock Number	(3) Figure Number	(4) Ordinance or Manufacturers' Part No.	(5) Ordinance or Manufacturers' Drawing No.	(6) N O M E N C L A T U R E	(7) Quan. per Unit Assy.	(8) Unit Price
					1209 — AIR COMPRESSOR AND PARTS, TANKS AND FITTINGS — Continued		
	G116-1714895		(AUC-A-1397) (BWE-221304)		NUT, cap, air compressor cylinder head discharge, w/SPRING, assembly (also part of KIT, AUC-25UU0459S).....	2	
	G160-0314870	12-22	(AUC-A-1301) (BWE-210469)		NUT, cap, discharge, air compressor.....	2	
H-1	H101-0124818	12-22	(AUC-A-1304) (BWE-202961)		NUT, lock, air compressor unloader valve adjusting screw (also part of KIT, AUC-25UU0459S).....	2	
	G126-0338704	12-22	(AUC-A-1308) (BWE-203101)		PIN, air compressor unloader lever.....	1	
	G160-0338706	12-22	(AUC-A-1307) (BWE-203156)		PIN, cotter, air compressor crankshaft nut (1/8 in.).....	1	
H-1	H001-0811025		(AUC-A-1139) (BWE-203016)		PIN, cotter, air compressor unloader lever pin.....	6	
	G116-1738714	12-22	(AUC-25UU0465) (BWE-203449)		PIN, piston, air compressor, std.....	2	
	G116-1738899	12-22	(AUC-A-1310) (BWE-203457)		PISTON, air compressor.....	2	
	0850-216174		(AUC-25UU0461) (BWE-216174)		PISTON, air compressor, std., w/PIN, assembly.....	2	
	0850-217958		(AUC-25UUA0461) (BWE-217958)		PISTON, air compressor, .020 O/S, w/PIN, assembly.....	2	
	G126-0340661	12-22	(AUC-A-1312) (BWE-203679)		PLUG, pipe, air compressor cylinder head, 3/8 in.....	1	
	G160-0340671	12-22	(AUC-A-1311) (BWE-203458)		PLUG, pipe, air compressor rear end cover.....	1	
		12-22	(AUC-A-1313) (BWE-203064)		PLUG, pipe, air compressor rear end cover.....	1	
	4300-17921B	01-3	(AUC-25UU3317) (HM-17921B)	(AUC-25UU3317)	PULLEY, air compressor.....	1	
	0850-211035		(AUC-25UU0891) (BWE-211035)		RETAINER, air compressor screen.....	1	
	G116-1769903	12-22	(AUC-A-1315) (BWE-203464)		RING, compression, air compressor, std. (also part of RING SET, AUC-25UU0462S).....	4	
	G116-1769923		(AUC-A-1395) (BWE-221322)		RING, compression, air compressor, .020 O/S (also part of RING SET, AUC-25UUA0462S).....	4	
	G116-1769902	12-22	(AUC-A-1316) (BWE-203465)		RING, oil, air compressor, std. (also part of RING SET, AUC-25UU0462S).....	4	

G116-1769922	(AUC-A-1396) (BWE-203874)		RING, oil, air compressor, .020 O/S (also part of RING SET, AUC-25UUA0462S)	4
0850-203028	(AUC-25UU0885) (BWE-203028)		RING, packing, air compressor crankshaft, rear	1
G116-1658773	(AUC-A-1317) (BWE-203104)	12-22	RING, retaining, air compressor unloader valve (also part of KIT, AUC-25UU0459S)	2
G116-1738930	(AUC-25UU0462S) (BWE-221312)		RING SET, air compressor, std.	1
G116-1769903	(AUC-A-1315) (BWE-203464)		(Composed of: 4 RING, compression, std.	
G116-1769902	(AUC-A-1316) (BWE-203465)		4 RING, oil, std.)	
G671-7001777	(AUC-25UUA0462S) (BWE-221322)		RING SET, air compressor, .020 O/S	1
G116-1769923	(AUC-A-1395) (BWE-221322)		(Composed of: 4 RING, compression, .020 O/S	
G116-1769922	(AUC-A-1396) (BWE-203874)		4 RING, oil, .020 O/S)	
G150-5340148	(AUC-25UU0463) (BWE-216248)	12-22	ROD, connecting, air compressor, std.	2
0850-200816	(AUC-25UU0889) (BWE-200816)		SCREEN, air compressor strainer	2
G116-1782051	(AUC-A-1318) (BWE-202846)	12-22	SCREW, adjusting, air compressor unloader valve (also part of KIT, AUC-25UU0459S)	2
H001-1030136	(AUC-A-1319) (BWE-203114)	12-22	SCREW, machine, air compressor box cover (also part of KIT, AUC-25UU0459S)	5
H001-1026124	(AUC-A-1320) (BWE-203376)	12-22	SCREW, machine, air compressor inlet chamber cover	4
	(AUC-A-1322)	12-22	SCREW, mounting, air compressor strainer	1
	(BWE-203917)			
H013-0500074	(AUC-25UUA0885) (BWE-203153)	12-22	SEAL, oil, air compressor crankshaft, front, assembly	1
0850-230355	(AUC-25UU0884) (BWE-230355)	12-22	SPACER, inner, air compressor crankshaft forward bearing	1
0850-230354	(AUC-25UU0897) (BWE-230354)	12-22	SPACER, outer, air compressor crankshaft forward bearing	1
G160-0389797	(AUC-A-1325) (BWE-210468)	12-22	SPRING, air compressor discharge valve	2
G116-1789800	(AUC-A-1326) (BWE-203113)			
G116-1789839	(AUC-A-1327) (BWE-203112)	12-22	SPRING, air compressor unloader lever (also part of KIT, AUC-25UU0459S)	1
G116-1792122	(AUC-A-1328) (BWE-203107)	12-22	SPRING, unloader, air compressor (also part of KIT, AUC-25UU0459S)	2
0850-216184	(AUC-25UU0888) (BWE-216184)	12-22	STOP, unloader, air compressor (also part of KIT, AUC-25UU0459S)	2
			STRAINER, air compressor, assembly	1

GROUP 12 — BRAKES (Cont'd)

(1) Note Sym- bol	(2) Stock Number	(3) Figure Number	(4) Ordinance or Manufacturers' Part No.	(5) Ordinance or Manufacturers' Drawing No.	(6) N O M E N C L A T U R E	(7) Quan. per Unit Assy.	(8) Unit Price
					1209 — AIR COMPRESSOR AND PARTS, TANKS AND FITTINGS — Continued		
		12-7	(AUC-25LA3328) (AUC-S-2042)	(AUC-25LA3328)	STRAP, air reservoir tank.....	8	
H-1	H001-0718003		220066 (AUC-S-78)		BOLT, carriage, air reservoir tank strap (fin-neck, 3/8-16NC-2 x 1 1/4).....	8	
H-1	H001-1013042		217037 (AUC-S-1436)		NUT, reg., hex., s-fin., S., 3/8-16NC-2.....	12	
H-1	H001-1518009		103321 (AUC-S-1347)		SCREW, cap, hex-hd., S., 3/8-16NC-2 x 3 1/2.....	4	
	G126-0392322		(AUC-2UU21661)	(AUC-2UU21661)	WASHER, lock, reg., S., 3/8 in. (0.390 I.D. x 0.640 O.D. 1/8 x 3/32 thick).....	16	
H-1	H001-0718004		220067 (AUC-S-431)		STUD, air compressor bracket (used with SUPPORT, AUC-2UU31662 only).....	1	
H-1	H001-7017710		114607 (AUC-S-3176)		NUT, reg., hex., s-fin., S., 7/16-14NC-2.....	4	
H-1	H001-1518010		103322 (AUC-S-1348)		WASHER, lock, ext. teeth, reg., S., 7/16 in.....	3	
	G125-0392228		(AUC-A-1329)		WASHER, lock, reg., S., 7/16 in. (0.453 I.D. x 0.767 O.D. 5/32 x 1/8 thick).....	1	
	G126-0392300	12-22	(BWE-202998) (AUC-25UUA0458)		STUD, air compressor cylinder block.....	6	
	G126-0392322	12-22	(BWE-203000) (AUC-25UU0458)		STUD, air compressor cylinder head.....	6	
H-1	H001-1013072		(BWE-202999) (AUC-2UU31662)	(AUC-2UU31662)	STUD, air compressor end cover.....	8	
H-1	H001-1518011		217055 (AUC-S-1872)		SUPPORT, air compressor bracket (superseded by SUPPORT, AUC-25UU0148).....	1	
H-1	H001-7048660		103323 (AUC-S-1349)		SCREW, cap, hex-hd., S., 1/2-13NC-2 x 1 1/2.....	1	
			502237 (AUC-S-995)		WASHER, lock, reg., S., 1/2 in. (0.515 I.D. x 0.859 O.D. 1 1/64 x 1/8 thick).....	1	
H-1	H001-0718005		(AUC-25UU0148) (HM-17994A)		WASHER, plain, S., special, 1/2 in. (17/32 in. I.D. x 1 in. O.D. x .060 in. thick).....	1	
			220068 (AUC-S-77)		SUPPORT, air compressor bracket (supersedes SUPPORT, AUC-2UU31662).....	1	
H-1	H001-1013072		217055 (AUC-S-1872)		NUT, reg., hex., s-fin., S., 1/2-13NC-2.....	1	
					SCREW, cap, hex-hd., S., 1/2-13NC-2 x 1 1/2.....	3	

H-1	H001-1518011	103323 (AUC-S-1349)	WASHER, lock, reg., S., 1/2 in. (0.515 I.D. x 0.859 O.D. 1 1/4 x 1/8 thick)	2
		(AUC-A-1499)	WASHER, plain, air compressor bracket support (S., special, 1/2 in., 33/64 in. I.D. x 3/4 in. O.D. x 3/32 in. thick)	2
		(HM-2091A)	TANK, air reservoir	2
	0850-217321	(AUC-25TH040)		
		(BWE-217321)	TUBE, oil, air compressor crankcase	1
		(AUC-A-1330)		
		(BWE-214926)		
	0850-203102	(AUC-A-1331)	VALVE, discharge, air compressor (also part of KIT, AUC-25UU0459S)	2
		(BWE-203102)		
	G126-0427251	(AUC-A-1332)	VALVE, unloader, air compressor (also part of KIT, AUC-25UU0459S)	2
		(BWE-212155)		
H-1	H001-1518007	(AUC-A-1198)	WASHER, lock, air compressor box cover and inlet chamber cover screw	11
		(BWE-202981)		
H-1	H001-1516008	(AUC-A-1141)	WASHER, lock, air compressor end cover stud	8
		(BWE-202982)		
H-1	H001-1518009	(AUC-A-1335)	WASHER, lock, air compressor cylinder block stud	6
		(BWE-202983)		
	G116-1847793	(AUC-25UU0466)	WIRE, lock, air compressor piston pin	2
		(BWE-202990)		
	M009-0100356	(AUC-25UU0454)	1211 — TRAILER BRAKE CONNECTIONS	
		(BWE-215992)	BODY, air hose connector, 1/2 NPT	6
H-1	H001-0718002	(AUC-24CR329)	BRACKET, trailer hose coupling, front, L.H.	1
		(AUC-24CS329)	BRACKET, trailer hose coupling, front, R.H.	1
		220065	NUT, reg., hex., s-fin., S., 5/16-18NC-2	8
		(AUC-S-82)		
H-1	H001-1013020	216932	SCREW, cap, hex-hd., S., 5/16-18NC-2 x 1 1/4	8
		(AUC-S-32)		
H-1	H001-1518008	103320	WASHER, lock, reg., S., 5/16 in. (0.328 I.D. x 0.578 O.D. 1/8 x 1/16 thick)	16
		(AUC-S-1346)		
		(AUC-24CQ329)	BRACKET, trailer hose coupling, rear, L.H.	1
		(AUC-24CP329)	BRACKET, trailer hose coupling, rear, R.H.	1
		220066	NUT, reg., hex., s-fin., S., 3/8-16NC-2	4
H-1	H001-0718003	(AUC-S-78)		
		213737	SCREW, cap, hex-hd., S., 3/8-16NC-2 x 1 1/2	4
H-1	H001-1013034	(AUC-S-17)		
H-1	H001-1518009	103321	WASHER, lock, reg., S., 3/8 in. (0.390 I.D. x 0.640 O.D. 1/8 x 3/32 thick)	8
		(AUC-S-1347)		
H-6	H006-0210111	144038	BUSHING, pipe, shoulder, M.I., glvd., 1/2 x 1/4 (cutout cock, trailer, L.H., front)	1
		(AUC-S-4772)		
		(AUC-10AB279)	CLIP, dummy hose coupling chain (rear of body)	2
		(AUC-25N2215)	CLIP, trailer hose	2

GROUP 12 — BRAKES (Cont'd)

(1) Note Sym- bol	(2) Stock Number	(3) Figure Number	(4) Ordnance or Manufacturers' Part No.	(5) Ordnance or Manufacturers' Drawing No.	(6) N O M E N C L A T U R E	(7) Quan. per Unit Assy.	(8) Unit Price
					1211 — TRAILER BRAKE CONNECTIONS — Continued		
	0850-217799	12-7	(AUC-25A257) (BWE-217799)		COCK, shutoff, air brake trailer connections.....	3	
H-6	H006-0101046	12-7, 10	(AUC-25C2670) (BWE-215535)	(AUC-25C2670)	CONNECTOR, air hose, 3/8 in., 1/2 NPT (trailer hose).....	6	
	0850-212227	12-7, 10	(AUC-25C256) (BWE-212227)	(AUC-25C256)	COUPLING, dummy, trailer hose (on rear of cab).....	2	
H-1	H001-0718002		220065 (AUC-S-82)		NUT, reg., hex., s-fin., S., 5/16-18NC-2.....	4	
H-1	H001-1013019		216922 (AUC-S-3120)		SCREW, cap, hex-hd., S., 5/16-18NC-2 x 1.....	4	
H-1	H001-1518008		103320 (AUC-S-1346)		WASHER, lock, reg., S., 5/16 in. (0.328 I.D. x 0.578 O.D. 1/8 x 1/16 thick).....	8	
	0850-220635	12-7, 10	(AUC-25D256) (BWE-220635)	(AUC-25D256)	COUPLING, dummy hose (with bleeder vent).....	1	
	0850-220636	12-7, 10	(AUC-25E256) (BWE-220636)	(AUC-25E256)	COUPLING, dummy hose (without bleeder vent).....	3	
H-6	H006-0501658	12-7, 10	(AUC-25C259A) (BWE-220165)	(AUC-25C259A)	COUPLING, trailer air hose.....	10	
	M009-0102760		(AUC-25UU0453) (BWE-203608)		GASKET, trailer air hose connector.....	6	
	G116-1769900		(AUC-25UUA0453) (BWE-213630)		GASKET, trailer air hose coupling.....	4	
	G671-7001767	12-10	(AUC-25C0350) (BWE-215604)		HOSE, air, assembly (112 1/2 in. long, for semi-trailer).....	2	
H-6	H006-0101046		(AUC-25C2670) (BWE-215535)	(AUC-25C2670)	(Composed of: 2 CONNECTOR, hose		
H-6	H006-0501658		(AUC-25C259A) (BWE-220165)	(AUC-25C259A)	2 COUPLING, hose		
	G160-0217818		(AUC-25C037) (BWE-101M)		1 HOSE)		
	0850-220570	12-10	(AUC-25B0350) (BWE-220570)		HOSE, air, assembly (216 in. long, for emergency tow).....	1	
H-6	H006-0101046		(AUC-25C2670) (BWE-215535)	(AUC-25C2670)	(Composed of: 2 CONNECTOR, hose		
H-6	H006-0501658		(AUC-25C259A) (BWE-220165)	(AUC-25C259A)	2 COUPLING, hose		

G160-0217818	12-7	(AUC-25C037) (BWE-101M)	1 HOSE	HOSE, air brake, 3/4 in. O.D. x 3/8 in. I.D. (trailer hose)	35 ft.
G160-0217818	12-7	(AUC-25C037)		LINK, trailer hose spring (rear of body)	2
H006-0229239	12-7	(BWE-101M)		NIPPLE, pipe, S., std., close, glvd., 1/2 x 1 1/8 (trailer air hose coupling)	2
M009-0102285		(AUC-10ZUBLA279)		SLEEVE, air hose connector (trailer hose)	6
G671-7001762	12-7, 10	(AUC-S-4513)		SPRING, supporting, trailer air hose	2
G160-0389823		(AUC-25UU0427)		SPRING, trailer air hose connector	6
D035-0396140	12-7, 9	(BWE-203610)		TAG, emergency line	2
D035-0396141	12-7, 9	(BWE-200661)		TAG, service line	2
D031-0119951	12-7, 8	(AUC-25N0195)		TUBE, frame, trailer hose	2
H012-6188980	13-1	(BWE-201500)		TUBE, frame, trailer hose	4
H012-6177560	13-1	(AUC-25C027)		GROUP 13 — WHEELS, HUBS AND DRUMS	
H012-6109180	13-2	(BWE-205730)		1311 — WHEELS, BEARINGS, SEALS, STUDS, NUTS	
H012-6235300	13-1	705563		CONE, tapered roller bearing (includes rollers) (front wheel, inner)	2
H012-6231350	13-1	(AUC-9SK092) (TIM-71450)		CONE, tapered roller bearing (includes rollers) (front wheel, outer)	2
H012-6204400	13-2	705525		CONE, tapered roller bearing (includes rollers) (rear wheel)	4
G116-0301340	13-1	(AUC-9SK039) (TIM-52400)		CUP, tapered roller bearing (front wheel, inner)	2
		705155		CUP, tapered roller bearing (front wheel, outer)	2
		(AUC-4G0156) (TIM-596)		CUP, tapered roller bearing (rear wheel)	4
		706942		FELT, front wheel bearing	2
		(AUC-9SKA0825) (TIM-71750)			
		706910			
		(AUC-9SK0825) (TIM-52637)			
		706691			
		(AUC-4FD0139) (TIM-592A)			
		(AUC-9SK095) (TD-5-X-328)			

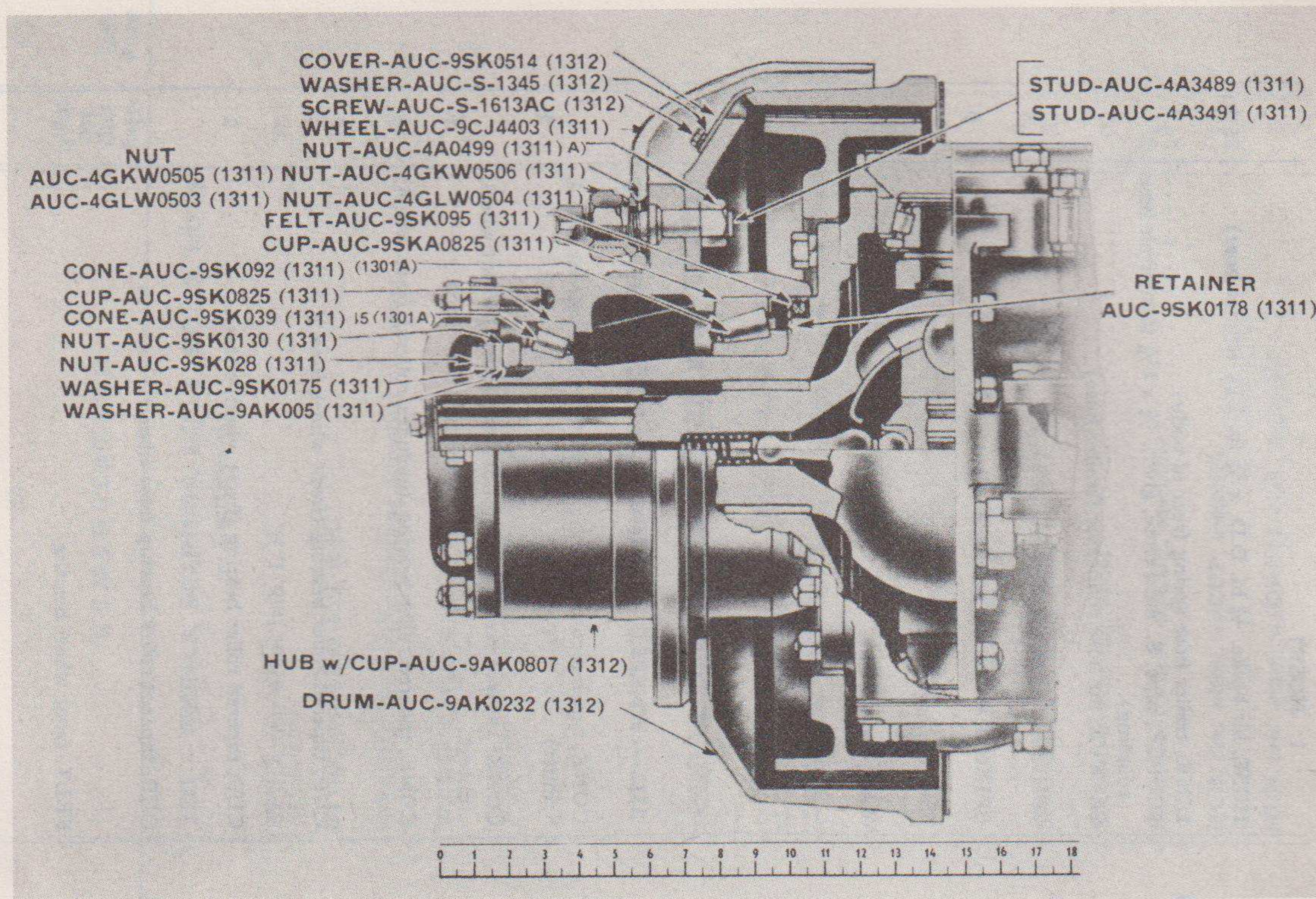


FIGURE 13-1

FRONT WHEEL, HUB, DRUM, BEARINGS

RA PD 346426

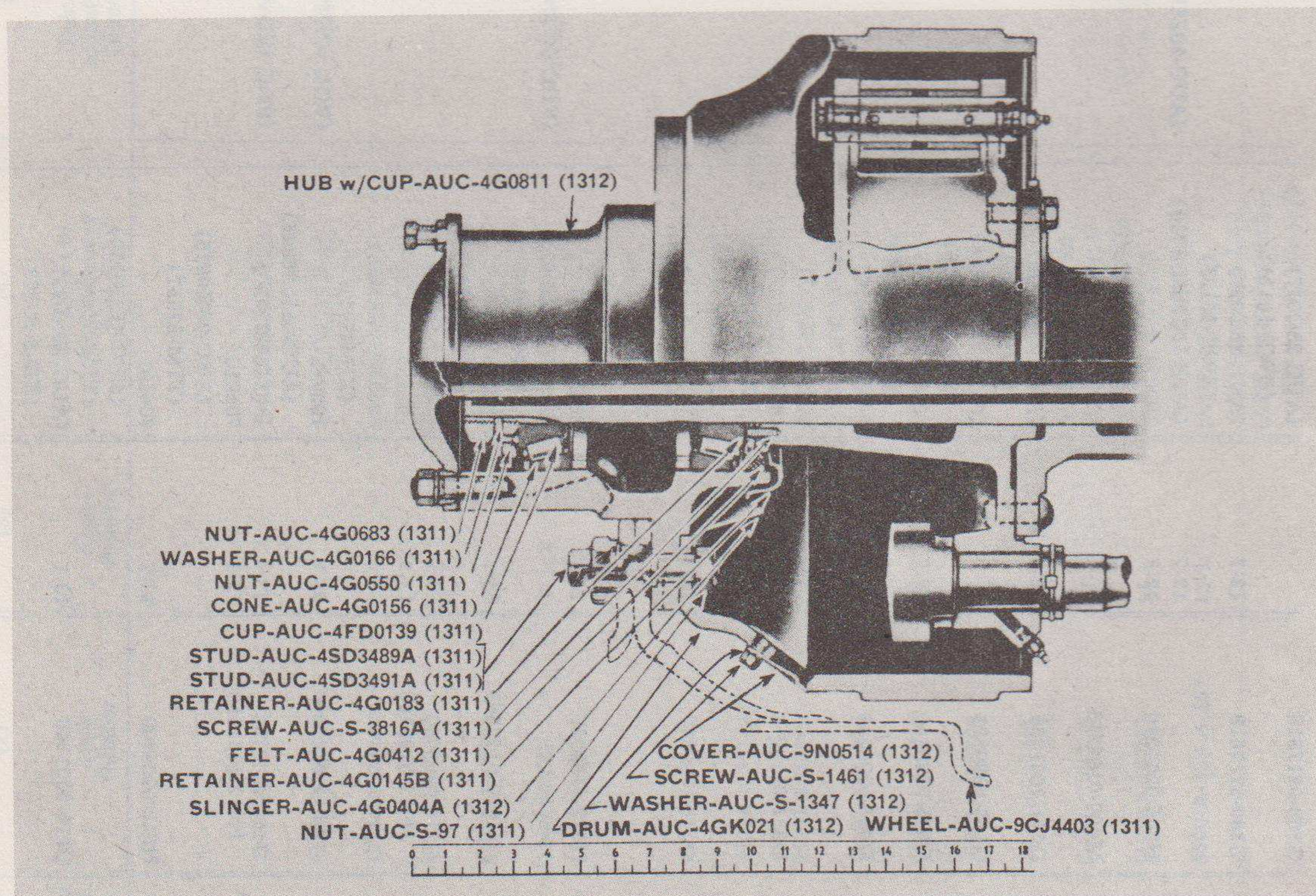


FIGURE 13-2

REAR WHEEL, HUB, DRUM, BEARINGS

RA PD 346427

(1) Note Sym- bol	(2) Stock Number	(3) Figure Number	(4) Ordinance or Manufacturers' Part No.	(5) Ordinance or Manufacturers' Drawing No.	(6) N O M E N C L A T U R E	(7) Quan. per Unit Assy.	(8) Unit Price
					1311 — WHEELS, BEARINGS, SEALS, STUDS, NUTS — Continued		
	G532-0180653	13-2	(AUC-4G0412) (TD-5-X-18)		FELT, rear wheel bearing.....	2	
	G116-0302280	13-1	(AUC-9SK0130) (TD-A-1827-W-49)		NUT, adjusting, front wheel bearing, assembly.....	2	
	G671-7001725	13-2	(AUC-4G0550) (TD-A-14-X-5)		NUT, adjusting, rear wheel bearing, assembly.....	2	
	G116-0300400	13-1	(AUC-4GKW0506) (TD-1199-M-1053)		NUT, cap, front wheel hub stud, inner, L.H.....	20	
	G116-0300440	13-1	(AUC-4GKW0505) (TD-1199-N-1054)		NUT, cap, front wheel hub stud, inner, R.H.....	20	
	G116-0300480	13-1	(AUC-4GLW0504) (TD-1199-K-1051)		NUT, cap, front wheel hub stud, outer, L.H.....	20	
	G116-0300520	13-1	(AUC-4GLW0503) (TD-1199-L-1052)		NUT, cap, front wheel hub stud, outer, R.H.....	20	
	G671-7001694		(AUC-4NFG01078) (TD-13-X-18)		NUT, front wheel hub and drum stud (superseded by NUT, AUC-4A0499).....	20	
	G116-0302340	13-1	(AUC-4A0499) (TD-13-X-28)		NUT, front wheel hub and drum stud (supersedes NUT, AUC-4NFG01078).....	20	
	G116-0302300	13-1	(AUC-9SK028) (TD-1827-X-50)		NUT, jam, front wheel bearing.....	2	
	G671-7001724	13-2	(AUC-4G0683) (TD-14-X-14)		NUT, jam, rear wheel bearing.....	2	
H-1	H001-4167800	13-2	103031 (AUC-S-97)		NUT, reg., hex., s-fin., S., 3/4-16NF-2 (rear wheel hub and drum stud).....	20	
	G116-0302600	13-1	(AUC-9SK0178) (TD-1829-B-158)		RETAINER, front wheel bearing felt.....	2	
	8500-3105-L-64	13-2	(AUC-4G0145B) (TD-3105-L-64)		RETAINER, rear wheel bearing felt, inner.....	2	
	8500-3105-N-14	13-2	(AUC-4G0183) (TD-3105-N-14)		RETAINER, rear wheel bearing felt, outer.....	2	
H-1	H001-1023134	13-2	113989 (AUC-S-3816A)		SCREW, machine, fl-hd., S., 1/4-20NC-2 x 5/8.....	4	
	G067-0400850	13-1	(AUC-4A3491) (TD-20-X-19)	(AUC-4A3491)	STUD, front wheel hub, L.H.....	10	
	G067-0400860	13-1	(AUC-4A3489) (TD-20-X-20)	(AUC-4A3489)	STUD, front wheel hub, R.H.....	10	

									HUB, rear wheel, w/DRUM, R.H., assembly.....	1
									HUB, rear wheel, w/STUD, L.H., assembly.....	1
									HUB, rear wheel, w/STUD, R.H., assembly.....	1
									SLINGER, oil, rear wheel brake drum.....	2
									1313 — TIRES AND TUBES	
H-14	H014-0514720					514720			TIRE, pneumatic, new, 12.00-20, 14 ply, truck and bus, mud and snow tread.....	6
H-14	H014-0519454								TUBE, new, 12.00-20, truck and bus.....	6
									GROUP 14 — CONTROLS	
									1401 — STEERING MECHANISM — DRAG LINK, TIE ROD, STEERING GEAR	
H-2	H002-0100160		14-3		(AUC-10J0206) 104921 (AUC-S-1671) (AUC-10UV3232)				ARM, steering gear.....	1
									BALL, S., 7/16 in. diam. (steering gear wheel tube bearing) (also part of SHIM SET, AUC-10UU01304).....	28
									BRACE, steering gear, upper, L.H. (superseded by BRACE, AUC-10UU3232).....	1
									BRACE, steering gear, upper, L.H. (supersedes BRACE, AUC-10UV3232).....	1
									BRACE, steering gear, upper, R.H. (superseded by BRACE, AUC-10UU3231).....	1
									BRACE, steering gear, upper, R.H. (supersedes BRACE, AUC-10UV3231).....	1
H-1	H001-0718005				220068 (AUC-S-77)				NUT, reg., hex., s-fin., S., 1/2-13NC-2.....	2
H-1	H001-1013072				217055 (AUC-S-1872)				SCREW, cap, hex-hd., S., 1/2-13NC-2 x 1 1/2.....	2
H-1	H001-1518011				103323 (AUC-S-1349)				WASHER, lock, reg., S., 1/2 in. (0.515 I.D. x 0.859 O.D. 1 1/64 x 1/8 thick).....	4
H-1	0600-10UU5177A		14-3, 15-1		(AUC-10UU5177A)				BRACKET, steering gear, w/CAP.....	1
H-1	H001-0116058		14-3		218315 (AUC-S-3126)				BOLT, hex-hd., s-fin., alloy-S., 1/2-13NC-2 x 2 1/4.....	1
H-1	H001-0116093		14-3		223445 (AUC-S-4323) (AUC-S-4491)				BOLT, hex-hd., s-fin., alloy-S., 5/8-11NC-2 x 4 1/4.....	2
									BOLT, hex-hd., steering gear bracket (s-fin., alloy-S., 7/8 in. long thd., 1/2-13NC-2 x 1 3/4).....	1

(AUC-4GKW0809RH)
(TD-A80-333-A-157)
(AUC-4GKW0801LH)
(TD-A79-333-A-157)
(AUC-4GKW0801RH)
(TD-A78-333-A-157)
(AUC-4G0404A)
(TD-3280-K-505)

STOCK NUMBER INDEX (Cont'd)

Part No.	Group	Part No.	Group	Part No.	Group
2980-GEH-2054F	0601	4300-17059D	0108	8080-K4-76-17	0900
2980-IGC2130RL	0604.1	4300-17077A	0105.5	8080-5-1-891	1100
2980-SP-2188	0608	4300-17080B	0105.5	8080-8964-2SF	0900
2980-X2878	0604.1	4300-17081B	0105.5	8080-8978-2SF	0900
2980-VRY-3070B	0602	4300-17082A	0105.5	8080-K4-86-119	0900
2980-VRY-3071A	0602	4300-17105A	0302	8240-424-BE	2208.2
2980-IAD4006	0604.1	4300-17269D	0106.2	8240-659BA	0604.1
2980-IG-4090A	0605	4300-17321C	0503	8240-105946	0802.2
2980-F-4529	0603	4300-17366B	0109	8240-105947	0802.2
2980-IGS2020-1	0604.1	4300-17367AS	0109	8240-440051	0607
3500-912663	0609.1	4300-17422AS	0106.6	8240-441023	0607
3500-925307	0609.1	4300-17905A	0106.2	8240-444068	0607
3500-5931167	0609.1	4300-17921B	1209	8240-442080-74	0607
3500-5933522	0609.1	4300-17997AS	0103	8500-MPS-153	1002
3500-5933524	0609.1	4300-18354AS	0109	8500-MPS-155	1000
3700-6Y1255A	2001	4300-19028B	0106.1	8500-MPS-159	1100
3700-6Y1931A	2001	4300-20230C	0108	8500-MPS-160	1100
3700-7Y1600	2002	4300-80165A	0102	8500-MPS-164	0800
3700-7Y1601	2002	4480-A-8897	1604	8500-MPS-167	1102
3700-7Y1602	2002	4480-A-8898	1604	8500-MPS-168	0800
3700-7Y1603	2002	5900-K3	0201	8500-P-212	0801
3700-7Y1642	2002	5900-K16	0201	8500-26-X-4	1202
3700-7Y1643	2002	5900-C3-36	0201	8500-T-76-2	0800
3700-7Y1646	2002	5900-C18-86	0201	8500-S-865	0802.4
3700-7Y1660	2002	5900-150-1-146	0201	8500-16-X-65	0802.2
3700-7Y1661	2002	5900-150-6-173	0201	8500-16-X-65	0802.3
3700-7Y1662	2002	7260-KA-25	0208	8500-26-X-19	1101
3700-12Y5361	2001	7260-VB-191	0308	8500-26-X-61	1102
3700-12Y7307	2001	7260-GC-514	0308	8500-3-X-171	1004
3700-19X11 $\frac{1}{4}$	2001	7260-X-600	0308	8500-3-X-264	1401
3700-22Y5348	2001	7260-SN-1150	0308	8500-1821-F-6	1102
3700-22Y5393A	2001	7260-A-2208	0308	8500-1850-D-4	1102
3700-22Y7306	2001	7260-A-2209	0308	8500-R-3100-W-X-3	1100
3700-22Y7307	2001	7260-G-2287	0308	8500-2910-R-18	1004
3700-77Y6000	2002	7260-G-2290	0308	8500-3105-N-14	1311
3967-21035	0308	7260-G-2811	0308	8500-3105-L-64	1311
4300-1613A	0105.1	7260-S2B-831	0308	8500-A-333-A-157	1312
4300-2534A	0101	7260-G-3978	0308	8500-3826-N-14	1102
4300-3923A	0104	7260-G-3983	0308	8500-3866-L-12	1102
4300-8077A	0109	7260-G-6260	0308	8500-3866-R-18	1102
4300-8082A	0101	7260-G-6701	0308	8500-A-3866-B-28	1102
4300-8179A	0503	7600-G-2237	0308	8500-A-3902-R-18	1401
4300-15097A	0604.1	7640-T75104	1401	8500-1199-R-434	1202
4300-11697A	0109	7640-T75165	1401	8500-1246-L-220	1401
4300-11756A	0104	7640-450061	0611	8500-1246-Y-233	1104
4300-11817AS	0106.5	7640-502520	1401	8500-1246-Y-233	1006
4300-14867A	0106.6	7640-503712	1401	8500-1829-T-332	1006
4300-14885A	0503	7640-503742	1401	8500-1854-J-114	1006
4300-15006B	0105.2	7640-504007	1401	8500-1898-E-213	1202
4300-15048B	0109	7640-504036	0611	8500-3216-H-112	1101
4300-15096A	0109	7640-T745012	1401	8500-3216-J-114	1101
4300-15105B	0105.5	7640-7153-38 $\frac{5}{8}$	1401	8500-3299-E-915	1202
4300-15164A	0504	7640-7845-39 $\frac{1}{8}$	1401	8500-3299-F-916	1202
4300-15178C	0503	7640-7940-11 $\frac{3}{4}$	1401	8500-3836-N-144	1202
4300-15179B	0503	7640-7941-11 $\frac{3}{4}$	1401	8500-3889-Z-156	1102
4300-15187A	0101	7830-C-9095	0505	8500-3891-N-482	1002
4300-15188A	0101	7830-C-16276	0504	8500-3897-Z-234	1006
4300-15416B	0601	7830-A-110934	0505	8500-A3-3897-Q-277	1004
4300-15787A	0308	7830-C-111569	0504	8500-A1-3211-M-949	1202
4300-16261B	0109	7830-C-111570	0504	8500-A1-3880-N-274	1102
4300-16506ASY	0105.2	7830-A-113811	0504	8500-A23-3800-X-24	1102
4300-16507C	0109	7830-B-113814	0504	8500-A2-3897-Q-277	1004
4300-16690BSY	0104	7830-114002	0505	8500-A28-3222-S-253	1202
4300-16900D	0103	8080-1601-4X	0900	8500-A29-3222-S-253	1202
4300-17007BS	0105.2	8080-4-15-43	0900	8800-SP10792X	2202

STOCK NUMBER INDEX (Cont'd)

Part No.	Group	Part No.	Group	Part No.	Group
8800-75072-ZE	2202	G067-0904050	{0601	G067-3381992	0604.1
8800-L-778-31-ZE	2202	G067-0904329	0603	G067-3400095	0503
8800-80550-48-ZE	2202	G067-0904530	0604.1	G067-3427253	0106.5
8940-A-12004	0304	G067-0904830	0611	G067-3442601	0604.1
8940-H90-11260	0304	G067-0905020	0602	G067-7002918	0106.5
9870-8796	0609.2	G067-0905060	0603	G074-0100585	1503
9870-8797	0609.2	G067-0905419	0602	G085-0101970	0609.1
9960-QMC-23A	0301	G067-0905420	0604.1	G085-1100660	0302
9960-F6X8	0309	G067-0905600	0602	G085-1100886	0302
9960-FR390-2	0309	G067-0906040	0602	G085-1102104	0302
9960-C21-105	0301	G063-0906490	0603	G085-1102324	0302
9960-C181-114	0301	G067-0906491	0602	G085-1414734	0601
C021-0401505	1503	G067-0906960	0604.1	G085-1414736	0302
C029-0100535	1503	G067-0906980	0604.1	G085-1482056	0609.1
C029-0100605	1503	G067-0906989	0604.1	G085-3302080	0605
C031-0100395	1208.5	G067-0906999	0604.1	G085-3302920	0609.1
C039-0220174	1202	G067-1200309	0604.1	G085-3303600	0608
C039-5237990	1208.2	G067-1200385	0101	G085-3784670	2002
C039-5238016	1208.2	G067-1200525	0103	G085-3882436	2002
D024-0981993	1503	G067-1200557	0106.5	G096-1900230	0603
D024-5238158	1208.5	G067-1200740	0106.2	G096-2200040	{0105.3
D024-5238159	1208.5	G067-1200855	0105.2		0105.5
D024-5238167	1208.5		{0105.5	G096-5800220	0106.1
D024-5238169	1208.5	G067-1200890	0105.3	G098-6900043	1209
D024-5238174	1208.5	G067-1201126	0302	G102-0102490	0302
D024-5238176	1208.5	G067-1201411	0106.2	G102-0202341	1503
D024-5238179	1208.5	G067-1500166	0106.2	G102-0203851	1503
D024-5238181	1208.5	G067-1500260	0302	G102-0203880	1601
D024-5238183	1208.5	G067-1500341	0504	G102-0205651	1503
D024-5238200	1202	G067-1500370	0301	G102-0206005	1503
D024-5238201	1202		{0607	G102-0206140	1311
D031-0119951	1211	G067-1500690	0613.1	G102-0206160	1311
D035-0396140	1211	G067-1500784	0302	G102-0206180	{1002
D035-0396141	1211	G067-1500800	0301		1102
F005-0103580	0504	G067-1500930	0301	G102-0206702	1503
G038-0111826	0308	G067-1501025	0301	G102-0302101	1102
G057-0203923	0609.1	G067-1501140	0301	G102-0304670	1102
G063-0100053	0603	G067-1501140	0302	G102-0305200	1006
G063-0100550	0802.3	G067-1501301	0302	G102-0306640	1201
G063-0100945	1312	G067-1501350	0301	G102-0306720	1006
G063-0102850	1208.1	G067-1501380	0301	G102-0306730	1006
G067-0104580	0105.5	G067-1501400	0301	G102-0307078	1312
G067-0300330	1312	G067-1501430	0301	G102-0400205	0611
G067-0300670	0806.5	G067-1501511	0301	G102-0400457	0607
G067-0301260	1202	G067-1501650	0302	G102-0400566	0611
G067-0400850	1311	G067-1501670	0301	G102-0400772	0609.1
G067-0400860	1311	G067-1501850	0301	G102-0401288	0603
G067-0601960	1201	G067-1501940	0301	G102-0401540	0603
G067-0800470	0505	G067-1501950	0301	G102-0403147	0611
G067-0800480	0505	G067-1501960	0301	G102-5323524	0106.2
G067-0901489	0604.1	G067-1501980	0301	G103-0400360	0804
G067-0901550	0602	G067-1501990	0301	G103-0401800	1000
G067-0901671	0604.1	G067-1502000	0301	G103-0443028	0302
G067-0901889	0604.1	G067-2100090	0611	G103-0500244	0603
G067-0902180	0602	G067-2100120	0611	G103-0501834	0603
G067-0902830	0602	G067-2100200	0611	G103-0502265	0603
G067-0902840	0602	G067-2100330	0611	G103-0502266	0603
G067-0903390	0602	G067-2100510	0611	G103-1527736	0608
G067-0903450	0602	G067-2100520	0611	G103-1527750	0608
G067-0903630	0602	G067-2300040	0802.2	G103-1527767	0302
G067-0903749	0604.1	G067-2300280	0804	G116-1540189	1002
G067-0903910	0602	G067-2300490	0804	G116-1540203	1209
G067-0903990	0604.1	G067-2300710	0802.2	G103-1555200	0609.1
G067-0904010	0601	G067-2300720	0804	G103-1593625	0609.1
G067-0904036	0604.1	G067-2400390	2002	G103-1594063	0302

STOCK NUMBER INDEX (Cont'd)

Part No.	Group	Part No.	Group	Part No.	Group
G103-1663902	0608	G116-0303220	1202	G116-1528021	1401
G103-1663903	0608	G116-0303400	1202	G116-1528033	0802.3
G103-1714403	0608	G116-0303600	1311	G116-1528044	1202
G103-1793700	0608	G116-0303620	1311	G116-1528047	1401
G103-1798540	0603	G116-0400021	0607	G116-1528438	1208.1
G104-0400277	1105.5	G116-0400320	0601	G116-1531226	0611
G104-0600201	0900	G116-0400340	0601	G116-1531340	1002
G104-0600275	0900		0603	G116-1531341	1002
G104-0600700	0900	G116-0401031	2208.1	G116-1531342	1006
G104-0601231	0900	G116-0401100	0802.2	G116-1531563	1004
G104-0601651	0900	G116-0401400	0609.1	G116-1531564	1004
G104-0602801	0900	G116-0500260	2001	G116-1531569	1002
G104-0602871	0900	G116-0500780	2001	G116-1531631	1002
G104-1518120	0604.1	G116-0500900	2001	G116-1531660	1002
G104-1524233	1503	G116-0501080	2001		1102
G104-1538116	0603	G116-0501100	2001	G116-1537990	0609.1
G104-1593795	0900	G116-0501200	2001	G116-1537993	0603
G104-1632782	0603	G116-0501240	2001	G116-1539989	1208
G104-1742400	0604.1	G116-0501320	2001	G116-1540162	0604.1
G104-1767607	0900	G116-0501380	2001	G116-1540188	0603
G104-1769910	0604.1	G116-0501420	2001	G116-1540204	1401
G104-1783105	0604.1	G116-0501541	2001	G116-1540209	1209
G104-1789582	0302	G116-0501560	2001	G116-1540212	1202
G104-1789657	0601	G116-0501621	2002	G116-1540227	1401
G104-1827121	0302	G116-0501700	2001	G116-1540234	1102
G104-1842679	0603	G116-0501800	2001	G116-1543548	1401
G104-1842682	0603	G116-0501840	2001	G116-1551600	1208.2
G104-1842779	0602	G116-0502101	2002	G116-1551601	1208.1
G104-1844677	0604.1	G116-0502140	2001	G116-1551603	1209
G104-1882300	0900	G116-0502160	2001	G116-1551605	1208.6
G104-2398811	0604.1	G116-0502301	2001	G116-1569034	1001
G104-2482433	0900	G116-0502480	2001	G116-1569094	0309
G116-0200440	1208.1	G116-0502640	2001	G116-1594017	1104
G116-0300320	1004	G116-0502720	2001	G116-1594019	1102
G116-0300340	1004	G116-0502902	2002	G116-1594030	1209
	1202	G116-0503160	2001	G116-1594031	1401
G116-0300400	1311	G116-0503200	2001	G116-1594074	1001
G116-0300440	1311	G116-0503400	2001		1002
G116-0300480	1311	G116-0503480	2001	G116-1594075	1002
G116-0300520	1311	G116-0503500	2001	G116-1594076	1002
G116-0300560	1002	G116-0504020	2001	G116-1594077	1002
G116-0300720	0802.4	G116-0504080	2001	G116-1594078	1002
G116-0301230	1002	G116-0504103	2002	G116-1594081	1209
	1102	G116-0504160	2001	G116-1594082	1006
G116-0301320	1004	G116-0504200	2001	G116-1595998	1002
G116-0301340	1311	G116-0504220	2001	G116-1596000	1002
G116-0301360	1006	G116-0504520	2001		1102
G116-0301440	0804	G116-0504540	2001	G116-1596001	1002
G116-0301480	1006	G116-0504640	2001		1102
G116-0301500	1002	G116-0504800	2001	G116-1596013	1202
G116-0301820	1312	G116-0504840	2001	G116-1605400	1209
G116-0301840	1006	G116-0600100	2002	G116-1611403	0309
G116-0302280	1311	G116-0601500	2002	G116-1611414	0603
G116-0302300	1311	G116-1510471	2202	G116-1649070	1001
G116-0302340	1311	G116-1510476	1208.1	G116-1658773	1209
G116-0302540	0804	G116-1515855	0202	G116-1674285	1209
G116-0302560	1004	G116-1515859	1006	G116-1679847	1102
G116-0302600	1311	G116-1516015	0604.1	G116-1679852	1002
G116-0302640	0201	G116-1518009	1401	G116-1693936	1208.7
G116-0302720	1401	G116-1518010	1401	G116-1714742	0603
G116-0302940	1006	G116-1522522	1209	G116-1714842	1401
G116-0302960	1006	G116-1524261	1002	G116-1714844	1208.3
G116-0303160	1202	G116-1524266	1202	G116-1714845	1208-5
G116-0303180	1202	G116-1524273	1401	G116-1714848	1100
G116-0303200	1202	G116-1525807	1208.3	G116-1714850	1201

STOCK NUMBER INDEX (Cont'd)

Part No.	Group	Part No.	Group	Part No.	Group
G116-1714856	1208.1	G116-1784796	1002	G116-1843021	1002
G116-1714863	0505	G116-1784804	1208.1	G116-1843022	1102
G116-1714892	1208.2	G116-1784805	1208.1	G116-1843027	1000
G116-1714893	1208.2	G116-1784806	1208.1	G116-1843031	1202
G116-1714895	{ 1209	G116-1784807	1208.1	G116-1843043	1208.1
	1401	G116-1784808	1401	G116-1843053	0611
G116-1714897	1401	G116-1784809	1401	G116-1843058	1002
G116-1714899	1401	G116-1784810	1401	G116-1843063	0603
G116-1733649	0804	G116-1784815	0201	G116-1843092	1401
G116-1733650	0804	G116-1784822	1002	G116-1843093	1002
G116-1733651	1006	G116-1784823	1002	G116-1843101	1002
G116-1738653	1006	G116-1784824	1002	G116-1847793	0603
G116-1738707	1201	G116-1784825	1002	G116-1851392	1209
G116-1738709	1202	G116-1784826	1002	G116-1882432	1202
G116-1738712	1208.1	G116-1784827	1002	G116-1882433	1208.2
G116-1738714	1209	G116-1784828	1002	G116-1882434	1401
G116-1738727	1006	G116-1784829	1002	G116-2115854	1401
G116-1738771	1401	G116-1784830	1002	G116-2124074	1208.8
G116-1738800	1002	G116-1784831	1004	G116-2124080	1208.7
G116-1738899	1209	G116-1784832	1004	G116-2124086	1208.7
G116-1738930	1209	G116-1788846	1004	G116-2124270	1208.6
G116-1740199	1202	G116-1789409	1002	G116-2127904	1401
G116-1740202	1208.2	G116-1789415	1102	G116-2127905	1401
G116-1740203	1208.2	G116-1789584	{ 1002	G116-2131339	1401
G116-1740700	1208.1		1102	G116-2131543	1208.1
G116-1741401	0603	G116-1789688	1208.7	G116-2140225	1208.7
G116-1742417	0603	G116-1789689	1208.8	G116-2140225	1208.6
G116-1764846	1006	G116-1789695	1004	G116-2143546	1208.3
G116-1767638	1201	G116-1789799	1208.2	G116-2147077	1208.1
G116-1767644	1006	G116-1789800	1209	G116-2205632	1208.1
G116-1767645	1006	G116-1789801	1208.1	G116-2205636	1208.7
G116-1769900	1211	G116-1789802	1208.1	G116-2205639	1208.3
G116-1769901	1208.1	G116-1789804	1208.1	G116-2205639	1208.1
G116-1769902	1209	G116-1789809	1401	G116-2267550	1202
G116-1769903	1209	G116-1789819	0201	G116-2314742	1102
G116-1769904	1401	G116-1789822	1208.3	G116-2314760	{ 0802.1
G116-1769909	1002	G116-1789832	0804		0802.3
G116-1769910	1006	G116-1789839	1209		0802.4
G116-1769922	1209	G116-1792122	1209	G116-2314770	1208.1
G116-1769923	1209	G116-1792195	1208.3	G116-2314773	1208.3
G116-1770084	1202	G116-1792210	0201	G116-2314775	1208.7
G116-1770089	0603	G116-1792256	1102	G116-2314777	1208.1
G116-1773274	1208.2	G116-1792266	1006	G116-2338705	1202
G116-1773638	0604.1	G116-1792267	1104	G116-2338719	1208.2
G116-1781899	0601	G116-1792269	1002	G116-2339143	1208.1
G116-1781997	2001	G116-1792281	{ 1002	G116-2373269	1201
G116-1782001	0601		1004	G116-2381900	1401
G116-1782009	0604.1	G116-1792282	1004	G116-2381901	1401
G116-1782010	1208.3	G116-1792283	1002	G116-2382821	1208.7
G116-1782051	1209	G116-1792284	1004	G116-2391917	1208.1
G116-1782057	1006	G116-1798492	1208	G116-2392192	1208.3
G116-1782082	1004	G116-1798796	0603	G116-2392193	1208.3
G116-1782821	1208.1	G116-1807829	1001	G116-2392338	1401
G116-1782822	1208.1	G116-1807830	1001	G116-2427098	1208.3
G116-1782823	1208.1	G116-1827257	1208.3	G116-7002193	0601
G116-1782824	1208.1	G116-1827258	1208.3	G117-0103901	0617
G116-1782829	1006	G116-1827260	1208.1	G120-0155685	{ 0101
G116-1784606	1202	G116-1827261	1208.1		0102
G116-1784607	1202	G116-1827262	1208.1	G120-0155690	{ 0105.2
G116-1784618	0804	G116-1827263	1208.1		0504
G116-1784626	1202	G116-1827264	1208.6	G120-0193945	0106.6
G116-1784773	1208.3	G116-1827265	1208.5	G120-0193946	0106.4
G116-1784783	1002	G116-1827266	1208.7	G120-0193954	0101
G116-1784794	1002	G116-1843019	1006	G120-0314753	0106.4
G116-1784795	1002	G116-1843020	{ 1002	G120-0314754	0106.4
			1102	G120-0338805	0106.4

STOCK NUMBER INDEX (Cont'd)

Part No.	Group	Part No.	Group	Part No.	Group
G120-0381984	0106.2	G126-0338704	1209	G156-0314870	0108
G120-0442820	0105.2	G126-0340661	1209	G156-0328384	0106.6
G120-0442832	0108	G126-0392300	1209	G156-0338700	0102
G120-0447450	0102	G126-0392322	1209	G156-0340203	0103
G121-0110400	0601	G126-0427251	1209	G156-0340672	0106.6
G121-0124205	0302	G128-0131547	0900	G156-0340675	0106.4
G121-0124520	0309	G134-0140022	0106.2	G156-0340681	0105.5
G121-0124525	0302	G136-0382046	0106.2	G156-0342416	0601
G121-0126320	0601	G136-0382807	0900	G156-0342426	0603
G121-0127843	0601	G136-0389802	1503	G156-0367606	0601
G121-0127846	{0601 1202	G137-0427253	1208.8	G156-0369904	0504
G121-0131430	0302	G147-0115952	0603	G156-0382011	0104
G121-0139650	0601	G147-0124265	0603	G156-0382016	0105.2
G121-0139660	0601	G147-0169131	0106.2	G156-0382022	0106.1
G121-0139665	0601	G147-0383098	0603	G156-0382025	0106.1
G121-0139665	0601	G147-0389807	0302	G156-0382036	0105.3
G121-0140020	0302	G147-0389813	0603	G156-0382038	0603
G121-0140045	0302	G147-0392276	0603	G156-0382800	0504
G121-0155500	0302	G147-0443006	0301	G156-0385269	0109
G121-0163758	0601	G150-0140221	1208.1	G156-0387093	0109
G121-0193756	0302	G150-0151620	1208.4	G156-0389807	0504
G121-0193792	0309	G150-0184601	0802.1	G156-0389829	0603
G121-0193794	0309	G150-0274305	1208.1	G156-0389840	0109
G121-0205450	0601	G150-0338854	1208.1	G156-0400400	0601
G121-0232700	0601	G150-0392192	0603	G156-0443033	{0105.3 0105.5 0109
G121-0232730	0601	G150-0392750	0603	G156-0443041	0106.1
G121-0232740	0601	G150-0427282	1208.1	G156-0443048	0504
G121-0232750	0601	G150-5340148	1209	G156-0443057	0601
G121-0273850	0601	G154-0140096	0602	G156-0443059	0603
G121-0274220	0302	G154-0382036	0601	G156-0443079	0603
G121-0276480	0302	G154-0329749	0602	G160-0105325	1208.7
G121-0338652	0302	G154-0398792	0601	G160-0105375	1208.1
G121-0340277	0604.1	G156-0101800	0603	G160-0115864	1208.7
G121-0340306	0604.1	G156-0118024	0603	G160-0124086	1208.8
G121-0340612	0302	G156-0118027	0603	G160-0124089	1208.1
G121-0342160	0601	G156-0128019	0106.1	G160-0124090	1208.9
G121-0342320	0601	G156-0128033	0603	G160-0124094	1208.3
G121-0344010	0302	G156-0131575	0603	G160-0124097	1208.5
G121-0344020	0302	G156-0135400	0109	G160-0128013	0301
G121-0373301	0302	G156-0139225	0603	G160-0128067	1208.4
G121-0382182	0601	G156-0139785	0603	G160-0131343	1208.8
G121-0389876	0302	G156-0139786	0603	G160-0131674	1208.3
G121-0389877	0302	G156-0139787	0603	G160-0137804	1208.1
G121-0389890	0604.1	G156-0139788	0603	G160-0139995	1208.9
G121-0389891	0604.1	G156-0139924	0603	G160-0140215	1208.9
G121-0392347	0309	G156-0172899	2002	G160-0140216	1208.3
G121-0442933	0302	G156-0178299	0601	G160-0143547	1208.1
G121-0442934	0302	G156-0194025	0308	G160-0151600	1208.9
G121-0442942	0601	G156-0194026	0106.6	G160-0169031	0306
G121-0442945	0601	G156-0194027	0106.6	G160-0194031	1209
G121-0442956	0601	G156-0194028	0109	G160-0202375	1208.3
G122-0124356	0900	G156-0194034	0106.6	G160-0217818	{1208 1211
G122-0131410	0900	G156-0194038	0108	G160-0232469	1208.4
G122-0131430	0900	G156-0196006	0106.1	G160-0232500	{0602 1208.4
G122-0340315	0900	G156-0196007	0109	G160-0248783	2001
G122-0406340	0900	G156-0211412	0603	G160-0258778	2001
G122-0406350	0900	G156-0211414	0601	G160-0287299	1208
G122-0482206	0900	G156-0232825	0603	G160-0314794	1401
G125-0205725	0609.1	G156-0232826	0603	G160-0314867	1208.5
G125-0338913	0301	G156-0232827	0603	G160-0314868	1209
G125-0392228	1209	G156-0232830	0603	G160-0314870	1209
G125-1140113	1209	G156-0273805	0603		
G125-1393740	0608	G156-0276522	0109		
G126-0194016	1209	G156-0279846	0109		
G126-0194017	1209	G156-0314854	0109		

STOCK NUMBER INDEX (Cont'd)

Part No.	Group	Part No.	Group	Part No.	Group
G160-0314895	1208.8	G162-1454707	0308	G509-0194046	0801
G160-0314896	1208.8	G162-1667121	0308	G509-0194067	0108
G160-0314898	{ 1208.4 1208.9	G162-1690371	0605	G509-0194801	0103
G160-0314899	1208.1	G163-0367644	0302	G509-0194809	0802.1
G160-0314900	1208.1	G172-0194024	0301	G509-0194810	0802.1
G160-0314903	1208.7	G179-0180168	0604.1	G509-0194811	0802.3
G160-0338497	1208.8	G501-0131555	2002	G509-0194812	0802.2
G160-0338691	0201	G501-0258757	2001	G509-0194813	0802.2
G160-0338706	1209	G502-0125856	0602	G509-0194822	0106.6
G160-0338773	1208	G502-0125961	0602	G509-0194964	0105.5
G160-0338810	1208.1	G502-0139775	0602	G509-0194974	0105.4
G160-0340212	0201	G502-0196321	0601	G509-0195005	0308
G160-0340671	1209	G502-0232822	0602	G509-0195040	0106.1
G160-0340679	1002	G505-0156200	0603	G509-0195065	0106.1
G160-0340680	0801	G507-0273800	0602	G509-0196299	0601
G160-0340722	1208.1	G507-0367615	0602	G509-0203140	0105.1
G160-0340723	1208.9	G509-0110476	0302	G509-0203141	0105.1
G160-0382031	0804	G509-0110640	0603	G509-0207126	0101
G160-0382032	0804	G509-0117007	0603	G509-0207137	0101
G160-0382138	1208.1	G509-0117212	0105.3	G509-0217780	0611
G160-0382140	1208.9	G509-0117213	0105.3	G509-0217881	0603
G160-0382141	1208.4	G509-0117217	0102	G509-0232469	0106.6
G160-0382142	1208.9	G509-0117228	0102	G509-0232815	0105.1
G160-0382271	1002	G509-0117240	02	G509-0258893	{ 0802.1 0802.3
G160-0382808	1208.7	G509-0117260	104	G509-0274414	0301
G160-0382889	1208.8	G509-0117265	0102	G509-0274561	0308
G160-0384831	1208.1	G509-0122591	0101	G509-0276568	0106.6
G160-0384832	1208.1	G509-0125175	0106.1	G509-0276588	0106.6
G160-0387119	0202	G509-0125176	0106.1	G509-0276650	2001
G160-0389780	0201	G509-0129087	1202	G509-0276796	0308
G160-0389797	1209	G509-0129208	0106.1	G509-0279846	1202
G160-0389823	{ 1208 1211	G509-0129218	0308	G509-0279959	0308
G160-0389828	1208.4	G509-0131481	0105.3	G509-0287350	0108
G160-0389829	1208.1	G509-0131529	0801	G509-0287365	0108
G160-0389830	1208.1	G509-0131530	0801	G509-0314414	0309
G160-0389831	1208.9	G509-0131532	0801	G509-0314477	0104
G160-0389832	1208.1	G509-0131588	0801	G509-0333703	0104
G160-0392259	0201	G509-0131704	0801	G509-0333891	0106.6
G160-0393786	1208.9	G509-0131905	0801	G509-0334900	0104
G160-0393850	1208.9	G509-0135760	0105.2	G509-0338702	1202
G160-0398795	1208.4	G509-0135851	0802.1	G509-0338703	0104
G160-0398796	{ 1208.4 1208.9	G509-0139850	0308	G509-0338707	1202
G160-0419384	1208	G509-0140056	0603	G509-0338716	0308
G160-0427255	1208.1	G509-0140261	0308	G509-0338717	0308
G160-0427261	1208.8	G509-0140685	0105.5	G509-0338890	0105.1
G160-0427270	1208.7	G509-0141451	0102	G509-0339250	0106.6
G160-0427475	1208.5	G509-0155762	0102	G509-0339251	0106.6
G160-0427476	1208.5	G509-0183053	0309	G509-0339252	0106.6
G160-0427477	1208.7	G509-0183242	1208	G509-0340206	0604.1
G160-0442989	0201	G509-0184601	0102	G509-0340303	0603
G160-0443037	0301	G509-0184950	0301	G509-0340783	1002
G160-0443045	0301	G509-0185154	0103	G509-0345886	0106.1
G160-0443048	0301	G509-0185450	0804	G509-0369303	0104
G160-0443098	1208.4	G509-0188372	0603	G509-0369317	1202
G160-0443099	1208.4	G509-0193815	0105.5	G509-0369535	0603
G160-0443100	{ 1208.4 1208.9	G509-0193837	1209	G509-0370725	0104
G160-0443101	1208.4	G509-0193840	0801	G509-0382115	0105.2
G162-0118005	0603	G509-0193841	0801	G509-0382137	0308
G162-0188200	0603	G509-0193842	0801	G509-0382140	0102
G162-0370061	0603	G509-0193843	0801	G509-0382141	0102
G162-0384923	0603	G509-0193844	0801	G509-0382220	0308
		G509-0193854	0103	G509-0382830	{ 0101 0601
		G509-0194020	0108	G509-0382861	0106.1
		G509-0194036	0308		
		G509-0194039	0308		

STOCK NUMBER INDEX (Cont'd)

Part No.	Group	Part No.	Group	Part No.	Group
G509-0383753	0802.1	G510-0393785	0603	G671-7001723	1312
G509-0383754	0802.2	G510-7006350	0301	G671-7001724	1311
G509-0383755	0804	G510-7006371	0301	G671-7001725	1311
G509-0383758	0604.1	G510-7006381	0301	G671-7001731	1202
G509-0383759	0604.1	G510-7006387	0301	G671-7001737	1102
G509-0383900	0106.1	G510-7007703	0301	G671-7001738	1102
G509-0383901	0105.5	G510-7033350	0504	G671-7001739	1102
G509-0383915	0106.1	G510-7033353	0504	G671-7001740	1102
G509-0383950	0308	G510-7033355	0608	G671-7001741	1102
G509-0383980	1102	G510-7033644	0505	G671-7001744	1102
G509-0383990	0308	G510-7033646	0504	G671-7001745	1102
G509-0384372	1202	G510-7035009	0306	G671-7001746	1102
G509-0384602	0102	G510-7035034	0102	G671-7001748	1202
G509-0384676	0104	G510-7035054	0104	G671-7001753	1208.2
G509-0384678	0102	G510-7035055	0104	G671-7001754	1208.2
G509-0384679	0102	G510-7035080	0102	G671-7001755	1208.2
G509-0384681	0102	G511-7002051	1401	G671-7001760	1102
G509-0384683	0102	G511-7008730	0609.2	G671-7001762	1211
G509-0386240	0308	G511-7089469	0102	G671-7001765	1208.8
G509-0386245	0102	G511-7089470	0102	G671-7001767	1211
G509-0387001	0802.1	G511-7089471	0102	G671-7001768	1208.4
G509-0388045	0308	G511-7089472	0102	G671-7001769	1208.6
G509-0389505	0106.4	G511-7089475	0104	G671-7001770	1208.3
G509-0389515	0308	G512-0139785	0603	G671-7001771	1208.1
G509-0389792	1202	G513-7001628	0308	G671-7001773	1209
G509-0389820	0105.1	G513-7007765	0301	G671-7001774	1209
G509-0390550	0106.6	G532-0180653	1311	G671-7001777	1209
G509-0391513	1102	G544-0666787	1506	G671-7001905	0302
G509-0396346	0105.2	G544-0788841	1506	G671-7001906	0302
G509-0410202	0109	G544-0788842	1506	G671-7002208	0301
G509-0427265	0308	G574-0367616	0602	G671-7002214	0301
G509-0427331	0105.1	G600-0116015	1506	G671-7007053	0304
G509-0427336	0105.1	G600-0118000	1506	G671-7007079	1202
G509-0443038	0802.1	G600-0209299	1506	G671-7007080	1202
G509-0443039	0802.1	G600-0240707	1506	G671-7007088	1208.4
G509-0443040	{ 0802.2 0802.3	G600-0240708	1506	G671-7007089	1311
G509-0443041	0802.1	G600-0271838	1506	G671-7007139	2202
G509-0443283	0301	G600-0279846	1506	G671-7007140	2202
G509-0445184	0308	G600-0279847	1506	G671-7007141	2202
G509-0445204	0604.1	G600-0388703	1506	G671-7007142	2202
G509-0482468	0900	G600-0389793	1506	G671-7007143	2202
G509-0482783	0308	G600-0389794	1506	G671-7007144	2202
G510-0118254	0505	G600-0389795	1506	G671-7007145	2202
G510-0131548	0501	G600-0390262	1506	G671-7007146	2202
G510-0131550	0306	G630-0194025	0106.2	G671-7007147	2202
G510-0131592	0301	G671-5636599	0608	G671-7007148	2202
G510-0139784	0605	G671-7001652	1102	H004-0327565	{ 0607 0613.1
G510 0152065	0604.1	G671-7001653	1104	H004-0327567	{ 0607 0612
G510 0193739	0607	G671-7001654	1104	H004-0328250	0613.1
G510-0194032	0101	G671-7001655	1104	H004-0348085	0609.1
G510-0194033	0108	G671-7001656	1104	H004-0348120	0609.1
G510-0194034	0105.2	G671-7001657	1102	H004-0365726	0612
G510-0194035	0501	G671-7001658	1102	H004-0366630	0609.1
G510-0194038	0108	G671-7001659	1102	H004-0368050	{ 0604.1 0605
G510-0194045	0106.6	G671-7001664	{ 1002 1102	H004-0501008	0605
G510-0194049	0503	G671-7001665	1102	H004-0504406	0609.1
G510-0217817	0503	G671-7001666	1102	H004-0504413	0609.1
G510-0276499	0306	G671-7001667	1102	H004-0504417	0609.1
G510-0276500	0106.6	G671-7001668	1102	H004-0504420	0609.1
G510-0295837	0603	G671-7001669	1102	H004-0504423	0609.1
G510-0295865	0603	G671-7001671	1101	H004-0504424	0609.1
G510-0333646	0504	G671-7001694	1311	H004-0504425	0609.1
G510-0345876	0504	G671-7001722	{ 1002 1102		
G510-0367338	0602				

STOCK NUMBER INDEX (Cont'd)

Part No.	Group	Part No.	Group	Part No.	Group
H004-0504426	0609.1	H012-6106760	1102	H013-0500023	2002
H004-0504427	0609.1	H012-6107820	1102	H013-0500050	2002
H004-0504428	0609.1	H012-6109040	1002	H013-0500074	1209
H004-0504430	0609.1		1102	H013-0500085	1401
H004-0504432	0609.1	H012-6109180	1311	H013-0500087	0801
H004-0504433	0609.1	H012-6109580	1002	H013-0500094	2001
H004-0504439	0609.1	H012-6127480	0802.3	H013-0500099	0102
H004-0506602	0608	H012-6131180	0505	H013-0500143	1006
H004-0506605	0608	H012-6176460	0802.3	H013-0500156	0801
H012-0312045	2001	H012-6177560	1311	H013-0500178	1002
H012-0707640	1102	H012-6178920	1004	H013-0500193	1102
H012-0707664	0702.3	H012-6181580	1002	H013-0500761	1101
H012-0708230	2002	H012-6183700	1002	H014-0514720	1313
H012-0708232	2002	H012-6188980	1311	H014-0519454	1313
H012-0709485	0504	H012-6201500	0702.3	H015-0500904	0612
H012-0709601	0308	H012-6202070	0702.2	H015-0500905	0612
H012-0710045	0308	H012-6202710	1102	H017-0540249	1202
H012-1300035	2002	H012-6203660	1102	H104-0103643	0609.2
H012-1303017	0601	H012-6204100	1102	H104-0115273	0607
H012-1303020	0601	H012-6204200	1002	H104-0119294	0609.2
H012-1303035	1209		1102	H104-0142303	0609.1
H012-1310045	0802.1	H012-6204400	1311	H104-0142311	0609.1
H012-1311045	0802.4	H012-6204550	1002	M009-0100355	1208
H012-1314045	0802.1	H012-6211600	0802.3	M009-0100356	1211
	0802.4	H012-6214650	0505	M009-0101820	1208.5
H012-1314050	0802.1	H012-6231220	0802.3	M009-0102285	1208
H012-1410030	0201	H012-6231350	1311		1211
H012-1411025	0504	H012-6231620	1004	M009-0102760	1208
H012-1930035	2002	H012-6232280	1002		1211
H012-4000012	0702.1	H012-6234230	1002	M009-0104350	1208.5
H012-6101360	0702.3	H012-6235300	1311	M009-0106250	1208.6
H012-6102480	0702.2	H013-0500022	0103	M009-0106260	1208.6
H012-6103740	1102		0109	M009-0106836	1208.6

PART AND DRAWING NUMBER INDEX

This index is prepared in strict numerical sequence, that is, all letters or dashes prefixed, suffixed or interspersed in the numbers are disregarded. For instance, Z-F6X12 is in sequence as 612, but the complete number Z-F6X12, including the manufacturer's symbol as the prefix, is shown in the listing. Further, all Ordnance numbers are identified by the prefix "ORD" in this index but not in the body of the book.

Part No.	Group	Part No.	Group	Part No.	Group
LPE-K3	0201	AL-IAD-12	0604.1	LPE-C1-9	0201
AL-5	0604.1	DSF-CN-12	1506	LPE-AC1-9	0201
CWL-5-ZENDA	0609.2	AL-13	0602	RG-E20	1401
AL-DH-7	0601	AL-14	0602	AL-MH-20	0603
AL-IAD-7	0604.1	AL-GT-14	0603	AL-21	0603
AL-IAD-8	0604.1	AL-15	0602	AL-GBM-21	0601
AL-IGL-8	0604.1	AL-VRA-15	0602	AL-ML-21A	0603
AL-IGL-9	0604.1	LPE-K16	0201	AL-MN-21	0601
AL-10	0601	AL-VRA-16	0602		0603
AL-IAD-10	0604.1	AL-MO-17	0603	AL-MG-22	0603
CP-J-10	0605	AL-VRA-17	0602	AL-23	0603
AL-12	0601	AL-ML-18	0603	AL-DK-23	0601

PART AND DRAWING NUMBER INDEX (Cont'd)

Part No.	Group	Part No.	Group	Part No.	Group
Z-QMC-23	0301	AL-VRA-67	0602	AUC-2UU006	0103
AL-DK-23A	0601	Z-F6X8	0309	AUC-2UU007	0101
Z-QMC-23A	0301	AL-MG-68	0603	AUC-2UU010	0105.1
AL-IGC-24S	0604.1	AUC-4AK069	1001	AUC-2UUA010	0105.1
AL-GBJ-25	0601	AL-MG-69	0603	TD-P-212	0801
AL-GCT-25	0601	AL-MG-70	0603	AL-SW-213	0604.1
AL-GCY-25	0601	LPE-C7-3	0201	AUC-2UU013	0108
PG-KA-25	0308	AL-MG-74	0603	PG-SN-213	0308
AL-GC-26	0601	AL-VRA-76	0602	AUC-2UU014	0109
AL-VRH-26	0602	AL-GAR-83A	0601	TD-2-X-17	1102
AL-GEB-27	0601	AL-VRA-84	0602	AUC-2UU020	0104
AL-MG-27	0603	MZ-87	0609.2	AUC-2UU021	0105.1
AL-IGH-28	0604.1	AL-IG-90	0604.1	AUC-2UUA021	0105.1
AL-MH-28	0603	ACC-C-91	1201	AUC-2UU023	0105.5
AL-GEB-29	0601	AL-IG-94	0604.1	AUC-2UU025	0104
AL-MH-29	0603	AL-IGS-99	0604.1	AUC-2UU026	0104
TD-N-29	1002	Z-CR9-5	0301	LPE-C2-27	0201
AL-IGE-29S	0604.1	AL-ML-95	0603	AUC-2UU027	0104
SPT-CDA-30	0608	BWE-101M	1208	Z-T22S8	0301
SKF-FLB-30	0201		1211	TD-2-X-30	1102
AL-IGP-30	0604.1	LPE-C10-2	0201	AL-SP-230	0601
YH-K-30	1809	Z-T10-3	0301	TD-2-X-32	1102
FR-C-31	0106.2	TRI-F-109	2202	AUC-2UU033	0105.5
YH-K-31	1809	AL-VRA-109	0602	DSF-2-FWU-33-QB	1506
FR-C-31-D	0106.2	GTS-110	0202	AUC-2UU034	0106.1
AL-GAA-32	0601	Z-F1X10	0309	AUC-2UU035	0101
AL-GT-32	0603	LPE-C11-4	0201	TRI-F-235	2202
AL-MR-32	0603	Z-F1X15	0309	AL-GJ-236	0604.1
DSF-SP-33	1506	AL-IGC-117	0604.1	AUC-2UU036	0105.2
AL-GBW-34	0601	AL-121	0604.1	AUC-2UUA036	0105.2
AL-GAA-35	0602	AL-8X-122	0603	AUC-2UU039	0104
AL-GT-35	0603	TRI-F-122	2202	ACC-C-24-A-2	1201
FR-F-36	0106.2	AL-DA-132	0601	AUC-2UU043	0105.3
AL-GT-37	0603	AL-VRA-133	0602	AUC-2UU044	0105.3
AL-GBY-38	0601	DSF-1-FWU-33-QB	1506	AUC-2UUA044	0105.3
AL-GK-38	0603	AL-GAG-138	0602	AUC-2UU049	0105.1
DSF-SN-38	1506	TD-A-14-X-5	1311	AUC-2UU052	0105.1
AL-DA-39	0601	TRI-F-146	2202	AUC-2UU054	0105.3
AL-MAL-40A	0603	PG-SC-150	0308	Z-F26X3	0309
AL-GT-41	0603	TD-MPS-153	1002	TD-26-X-4	1202
AL-GAL-44	0601	TD-MPS-154	1000	AUC-2UU065	0105.2
AL-GEB-44	0601	TD-MPS-155	1000	AUC-2UUA065	0105.2
AL-VRA-46	0602	TD-MPS-156	1002	AUC-2BL067	0106.5
AL-GAE-47	0601		1102		0302
AL-VRH-50	0602	TD-MPS-159	1100	AUC-2UU069	0105.5
MZ-51	0607	TD-MPS-160	1100	AUC-2UU072	0105.2
AL-VRA-51	0602	AL-GK-162	0603	AUC-2UU074	0101
AL-TC-51N	0602	TD-MPS-164	0800	AUC-2UU076	0105.4
AL-TC-51U	0602	TP-16DS5	1401	DN-2XC-277	0106.5
AL-VRA-52	0602	AL-VAD-166	0602	TD-S-278-D	1002
DN-V5-2MU	0106.5	TD-MPS-167	1102	TP-28DB2	1401
AL-GCE-53	0601	TD-MPS-168	0800	TP-28DS2	1401
AL-MH-53	0603	TRI-F-169	2202	TP-28DE3	1401
LPE-C5-4	0201	AL-IGC-175	0604.1	TP-28MN3	1401
AL-GCE-54	0601	LPE-X17-7	0202	TD-S-288-D	1002
AL-MH-54	0603	AL-SS-183	0603	TP-28DB8	1401
Z-F5X7	0309	Z-T1S8-6	0301	AUC-2UUA092	0106.1
AL-GCE-57	0601	PWM-C-189	0401	HM-296A	0106.6
AL-GEB-58	0601	PWM-C-191	0401	DSF-FWU-305Q	1506
AL-MG-61	0603	PG-VB-191	0308	DSF-FWU-305QA	1506
MZ-63	0609.1	ES-XH-194	0612	DSF-FWX-308	1506
LPE-C6-4	0201	ES-XHM-194	0612	HM-315A	0108
AL-GBW-66	0601	LPE-C20-1	0201	Z-B3-18E	0301
AL-GBW-67	0601	AUC-2UU001	0102	AUC-3UU020	0700
AUC-4GKW067	1001	AUC-2UU002	0101	TIM-332	0702.3

PART AND DRAWING NUMBER INDEX (Cont'd)

Part No.	Group	Part No.	Group	Part No.	Group
AUC-3UU034	0201	AUC-4G089	1202	TIM-563	1102
LPE-C3-36	0201	AL-X-490	0604.1	TIM-570	1102
TIM-336	0702.3	AUC-4BLB096	1002	AUC-5SCM071	0505
AUC-3UU042	0201	AUC-4GKW096	1002	TIM-572	{1002 1102}
DSF-HBF-343S	1506	AUC-4BLB097	1002	Z-CT57-2	0301
AUC-3C045	0201	AUC-4GKW097	1002	AUC-5TL072	0505
AUC-3UU045S	0201	AUC-4TCP097	1002	AUC-5T073	0505
AUC-3B046B	0202	AUC-4BLB098	1002	AUC-5T074	0505
AUC-3RE067	2002	AUC-4GKW098	1002	AL-IG-579A	0604.1
Z-F36X9	0309	AUC-4GKWA098	1002	TIM-581	{1002 1102}
AUC-3UU070	0702.3	AUC-5UU001	0504	AUC-5UU081	0504
TIM-372-A	0702.2	AUC-5UUA001	0504	DSF-SP-582	1506
TIM-377	0702.2	AUC-5UU002	0504	AUC-5UU086	0109
AUC-3T079	0702.1	AUC-5UUA002	0504	AUC-5UUA086	0109
TD-G-380-C	1002	AUC-5UU003	0504	AUC-5UU087	0504
LPE-C40-1	0202	AUC-5UUA003	0504	AUC-5UU088	0505
LI-405P	0701	AUC-5UU004	0504	SW-590-AB	2208.1
TRI-F-406	2202	AUC-5UUA004	0504	TIM-592A	1311
AUC-4G007	1202	AUC-5UU007	0505	AUC-5UU094	0503
AUC-4GEA010	{1002 1102}	AUC-5UU012	0504	TIM-596	1311
TRI-F-410	2202	AUC-5UUA012	0109	PG-X-600	0308
DR-412	0603	AUC-5UUB012	0504	TIM-612	1002
AUC-4GKW018	1002	AUC-5UU013	{0109 0504}	Z-F6X17	0309
AUC-4ZGEW018	{1002 1102}	AUC-5UUA013	0109	AUC-6D022	0306
Z-C41-9	0301	ACC-C-514	1201	TIM-623	1002
AUC-4GA020	1104	AL-IG-514	0604.1	Z-CT63-2	0301
AUC-4GAA020	1104	PG-GC-514	0308	AL-IG-644A	0604.1
AUC-4GK021	1312	AL-IG-515	0604.1	TRI-FP-657	2202
AUC-4ZGEW022	1101	SP-K5-15X	0900	SW-659A	0604.1
TRI-F-422	2202	SP-K5-16X	0900	SW-659BA	0604.1
AUC-4ZGEW022A	1101	TD-5-X-18	1311	LPE-C66-1	0201
SW-424-BE	2208.2	ACC-C-521	1201	AL-IG-676	0604.1
TIM-432	1102	Z-CT52-1	0301	AL-IG-680	0604.1
LPE-C4-35	0202	ACC-C-522	1201	AL-IG-694	0604.1
AUC-4GKW035	1002	ACC-C-523	1201	AUC-7N009AS	0401
TIM-438	1102	TS-D525	1804	Z-C71-3	0301
AUC-4GKW044	1002	TS-D526	1804	TS-D714	1804
AUC-4ZGEW044	{1002 1102}	ACC-C-529	1201	AL-X-715	0601
AUC-4G051	1102	ACC-C-530	1201	AUC-7F047	0401
AUC-4GKW051	1002	AUC-5UU030	0503	AUC-7UV047	0401
AUC-4SKA051	1004	ACC-C-531	1201	HM-749A	0504
TD-X-451	1001	TS-D531	1804	TD-T-76-2	0800
AUC-4G051A	1102	ACC-C-532	1201	TD-X-768	1104
AUC-4GKW052	1202	AUC-5UU032	0504	HM-794A	0105.2
AUC-4NK055	{1002 1102}	AUC-5UUA032	0504	AUC-8UU014	0605
AUC-4GKW057	{1002 1102}	AUC-5UUB032	0504	AUC-8UD014A	0605
AUC-4ZGEW058	{1002 1102}	TIM-532-A	1102	AL-IG-816A	0604.1
AUC-4G065A	1102	ACC-C-533	1201	AUC-8E023	0605
Z-C46-6	0301	ACC-C-534	1201	AUC-8UU028	0604.1
AUC-4ZGEW067	1102	TIM-536	1102	AUC-8UU035	0604.1
AUC-4AK069	1002	ACC-C-537	1201	Z-F8X50	0309
AUC-4SK069	1002	ACC-C-539	1201	Z-C85-6	0301
AUC-4AA072	{1005.5 1105.5}	AUC-5UU039	0109	AUC-8UU057	0604.1
TD-4-X-73	{1002 1004}	AUC-5UUA039	0109	Z-F8X59	0309
AUC-4G079	1202	AUC-5UU040	0504	TD-S-865	0802.4
AUC-4GKW084	1002	AUC-5UUA040	0504	AUC-8UU069	0604.1
AL-X-489	0601	AUC-5SCM047	0505	AL-X-877	0603
		AUC-5UU049	0505	Z-CR88-2	0301
		AUC-5UU051	0505	AUC-8UU085	0604.1
		AUC-5T053	0505	AUC-8UUA085	0604.1
		AUC-5UU054	0505	Z-T8S8-7	0301
		PG-X-556	0308	AUC-9AK005	1311
		Z-T56-2	0301	Z-CT91-3	0301
		Z-T56-5	0301		

PART AND DRAWING NUMBER INDEX (Cont'd)

Part No.	Group	Part No.	Group	Part No.	Group
AUC-9UU020	1401	AUC-A-1041	0602	AUC-A-1094	1208.2
AUC-9SK021	1401	AUC-A-1042	0602	AL-ML-1094	0603
AUC-9NK022	1401	AUC-A-1043	0602	AUC-10SP094	1401
AUC-9AK023S	1004	AL-VRY-1043	0602	AUC-10Y094B	1401
AUC-9SK024	1401	AUC-A-1044	0602	AUC-A-1095	1208.2
AUC-9SK025	1401	AUC-A-1045	0602	AUC-10SP095	1401
AUC-9SK028	1311	AUC-A-1046	0603	AUC-A-1096	1208.2
AUC-9SK039	1311	TS-D1046	1804	AUC-10SP096	1401
AL-X-959	0601	AUC-A-1047	0603	AUC-10Y096A	1401
AL-X-975	0601	TS-D1047	1804	AUC-A-1097	1208.2
AUC-9GKW075	1004	AUC-A-1048	0603	AUC-A-1099	1208.2
AL-X-983	0603	TS-D1048	1804	AUC-10Y099B	1401
AUC-9SK092	1311	AUC-A-1049	0603	AL-IAD-1100RA	0604.1
AUC-9SK095	1311	AUC-A-1050	0603	AL-IGS-1100RR	0604.1
AUC-A-1001	0102	AUC-A-1051	0603	AUC-A-1101	1208.2
AUC-A-1002	0102	AUC-A-1052	0603	Z-C110-1	0301
AL-VRA-1002	0602	AUC-A-1053	0603	AUC-A-1102	1208.2
AUC-A-1003	0105.3	AUC-A-1054	0603		1208.1
AL-IAD-1004	0604.1	AUC-A-1055	0603	AUC-A-1105	1208.2
AUC-A-1004	0105.5	AL-VRA-1055	0602		1208.5
AL-MR-1005	0603	AUC-A-1056	0603	AUC-A-1106	1208.2
AL-GEB-1005A	0601	AUC-10UV056	2002	AL-IGC-1107S	0604.1
AUC-A-1006	0302	AUC-A-1057	0603	AUC-A-1108	1208.2
AL-ML-1007	0603	AL-GCE-1057	0601	AUC-A-1109	1208.2
AL-GEB-1007A	0601	AUC-A-1058	0603	AUC-A-1116	1208.2
AUC-A-1008	0302	AUC-A-1059	0603	AUC-A-1117	1208.5
AL-ML-1008	0603	AUC-A-1060	0603	AUC-A-1118	1208.5
AL-GEB-1008B	0601	AL-VRA-1060	0602	AUC-A-1119	1208.5
AUC-A-1009	0302	AUC-A-1061	0603	AUC-A-1120	1208.5
AL-ML-1009	0603	AL-VRY-1061A	0602	AUC-A-1121	1208.5
AUC-A-1010	0302	AUC-A-1062	0603	AUC-A-1122	1208.5
AL-ML-1010	0603	Z-C106-2	0301	AUC-A-1123	1208.5
AUC-A-1011	0302	AL-MR-1062A	0603	AUC-A-1125	1208.5
GL-1011-J	0609.1	AUC-A-1063	0603	AUC-A-1126	1208.5
AUC-A-1012	0302	Z-CR106-3	0301	Z-C112-6	0301
AL-GCE-1012	0601	AUC-A-1064	0603	AUC-A-1127	1208.5
AUC-A-1013	0302	AUC-A-1065	0603	AUC-A-1128	1208.5
AL-X-1014	0601	AUC-A-1066	0603	AUC-A-1129	1208.5
AUC-A-1015	0302	AUC-A-1067	0603	AUC-A-1130	1208.5
AUC-A-1016	0302	AUC-10RJ067	1401	AL-IGC-1130R	0604.1
AL-IGS-1016B	0604.1	AUC-A-1068	0603	AL-IGC-1130RE	0604.1
AUC-A-1018	0302	AUC-A-1069	0603	AUC-A-1131	1208.5
AUC-A-1019	0302	AUC-A-1070	0603	AUC-A-1132	1208.5
AUC-A-1020	0302	AUC-10S070	1201	AUC-A-1133	1208.5
AUC-A-1021	0302	AUC-A-1071	0604.1	MZ-1133	0609.2
AUC-A-1022	0302	AUC-A-1072	0604.1	AUC-A-1136	1208.5
AUC-A-1023	0308	AL-VRA-1072	0602	AUC-A-1137	1208.5
GL-1023-H	0609.1	AUC-A-1073	0604.1	AUC-A-1138	1208.5
AUC-A-1024	0308	AL-VRH-1073	0602	AUC-A-1139	1208.5
AL-GEW-1024	0601	AUC-A-1074	0604.1		1209
AL-GX-1024F	0603	TRI-F-107-4	2202	AUC-A-1140	1208.1
AUC-A-1026	0601	AUC-A-1075	0609.1		1208.5
AUC-A-1028	0601	AUC-A-1076	0609.1		1208.1
AUC-A-1029	0601	AUC-A-1079	1208.1	AUC-A-1141	1208.5
AUC-A-1030	0601	AUC-10S080	1201		1209
AUC-A-1031	0601	AL-VRY-1080A	0602	AUC-A-1142	1208.1
AUC-A-1033	0602	AUC-A-1081	1202	AUC-A-1143	1208.1
AUC-A-1034	0602	TRI-F-108-1	2202	AUC-A-1144	1208.1
AUC-A-1035	0602	AL-PS-1081C	0603	AL-DG-1144	0601
AUC-A-1036	0602	AUC-A-1084	1202	AUC-A-1145	1208.1
AUC-A-1037	0602	AL-MG-1084S	0603	AUC-A-1146	1208.1
AUC-A-1038	0602	AL-ML-1090S	0603	AUC-A-1147	1208.1
AUC-A-1039	0602	Z-C109-2	0301	AUC-A-1148	1208.1
AUC-A-1040	0602	Z-CR109-2	0301	AL-IGC-1148	0604.1
AL-ML-1040S	0603	AUC-A-1093	1208.2	AUC-A-1149	1208.1

PART AND DRAWING NUMBER INDEX (Cont'd)

Part No.	Group	Part No.	Group	Part No.	Group
HM-1149A	0504	AUC-A-1214	1208.7	AUC-A-1266	1208.4
AUC-A-1150	1208.1	AUC-A-1215	1208.7	AUC-A-1267	1208.4
PG-SN-1150	0308	AUC-A-1216	1208.7	AUC-A-1268	1208.4
AUC-A-1151	1208.1	AUC-A-1217	1208.7	AUC-A-1269	1208.4
AUC-A-1152	1208.1	AUC-A-1218	1208.7	AUC-A-1270	1208.4
AUC-A-1153	1208.1	HY-U1218TAM	1102	AL-X-1270	0601
AUC-A-1154	1208.1	AUC-A-1219	1208.8	AUC-A-1271	1208.4
AUC-A-1155	1208.1	AUC-A-1220	1208.8	AUC-A-1272	1208.4
AUC-A-1156	1208.1	AUC-A-1221	1208.8	ECM-F-1272	0603
AUC-A-1157	1208.1	AUC-A-1222	1208.8	AUC-A-1273	1209
HM-1157A	0106.1	AUC-A-1223	1208.8	TD-X-1273	1202
AUC-A-1158	1208.1	AUC-A-1224	1208.8	AUC-A-1275	1209
AUC-A-1159	1208.1	AUC-A-1225	1208.8	AUC-1A0275	1506
AUC-A-1160	1208.1	AUC-A-1226	1208.8	AUC-A-1277	1209
AUC-A-1161	1208.1	AUC-A-1227	1208.3	AUC-A-1278	1209
AUC-A-1162	1208.1	AUC-A-1228	1208.3	AUC-A-1279	1209
AUC-A-1163	1208.1	AUC-A-1229	1208.3	AUC-A-1281	1209
Z-T11S6-4	0301	AUC-A-1230	1208.3	AUC-A-1282	1209
AUC-A-1169	{ 1208.1 1209	AUC-A-1231	1208.3	AUC-A-1283	1209
AUC-A-1170	1208.1	AUC-A-1232	1208.3	AUC-A-1284	1209
AUC-A-1171	1208.1	AUC-A-1233	1208.3	AUC-A-1285	1209
AUC-A-1172	1208.1	AUC-1A0233	1506	AUC-A-1287	1209
AUC-A-1173	1208.1	AUC-A-1235	1208.3	AUC-A-1288	1209
AUC-A-1174	1208.1	AUC-A-1236	1208.3	AUC-A-1289	1209
AUC-A-1175	1208.1	AUC-A-1237	1208.3	AUC-A-1291	1209
AUC-A-1177	1208.1	AUC-1UU237	0102	AUC-A-1292	1209
AUC-A-1178	1208.1	AUC-A-1238	1208.3	AUC-A-1293	1209
AUC-A-1179	1208.1	AUC-A-1239	1208.3	AUC-A-1297	1209
AUC-A-1180	1208.1	AUC-A-1240	1208.3	AUC-A-1298	1209
AUC-A-1181	1208.1	AUC-A-1241	1208.3	AUC-A-1301	1209
AUC-A-1182	1208.1	AUC-A-1242	1208.3	AUC-13UV003	1601
AUC-A-1183	1208.1	AUC-A-1243	1208.3	AUC-A-1303	1209
AUC-A-1184	1208.1	AUC-A-1244	1208.3	ECM-A-1303	0603
AUC-A-1185	1208.1	AUC-A-1245	1208.3	AUC-A-1304	1209
AUC-A-1186	1208.1	AUC-A-1246	1208.3	Z-C130-4	0301
AUC-A-1187	1208.1	AUC-A-1247	1208.3	DSF-1-FWU-306	1506
AUC-A-1188	1208.1	AUC-A-1249	1208.3	AUC-A-1307	1209
AUC-A-1189	1208.1	AUC-A-1250	1208.3	AUC-A-1308	1209
AUC-A-1190	1208.1	AUC-A-1251	1208.3	HY-R1309TS	0702.3
AUC-A-1191	1208.1	AUC-A-1252	1208.3	AUC-A-1310	1209
AUC-A-1192	1208.1	AUC-A-1253	1208.4	AUC-A-1311	1209
AUC-A-1193	1208.1	AUC-A-1254	1208.4	LPE-C13-11	0201
AUC-A-1194	1208.1	AUC-A-1255	1208.4	AUC-A-1312	1209
AUC-A-1195	1208.1	AUC-A-1256	1208.4	AUC-A-1313	1209
AUC-A-1196	1208.1	AUC-A-1257	1208.4	TD-13-X-14	1004
AUC-A-1198	{ 1208.1 1209	AUC-A-1258	1208.4	AUC-A-1315	1209
AUC-A-1199	1208.6	AUC-A-1259	{ 1208.4 1208.9	AUC-A-1316	1209
AUC-A-1200	1208.6	AUC-A-1260	1208.4	AUC-A-1317	1209
AUC-A-1201	1208.6	AUC-A-1261	1208.4	AUC-A-1318	1209
AUC-A-1202	1208.6	AUC-A-1262	1208.4	TD-13-X-18	1311
AUC-A-1203	1208.6	AUC-12UV062	1501	AUC-A-1319	1209
AUC-A-1204	1208.6	AUC-12UVB062	1501	AUC-A-1320	1209
AUC-A-1205	1208.7	AUC-12UVC062	1501	AUC-13UV021	1601
AUC-A-1206	1208.7	AUC-12UVE062	1501	AUC-13UV022	1601
Z-C120-6	0301	AUC-12UVH062	1501	AUC-A-1322	1209
AUC-A-1207	1208.7	AUC-A-1263	1208.4	AL-IG-1322	0604.1
AUC-A-1208	1208.7	AUC-12UV063	1501	AUC-13UV023	1601
AUC-A-1209	1208.7	AUC-12UVB063	1501	AUC-13UV024	1601
Z-C120-9	0301	AUC-12UVC063	1501	AUC-13UV025	1601
AUC-A-1210	1208.7	AUC-12UVE063	1501	AUC-A-1325	1209
AUC-A-1211	1208.7	AUC-12UVH063	1501	AUC-A-1326	1209
AUC-A-1212	1208.7	AUC-A-1264	1208.4	AUC-A-1327	1209
AUC-A-1213	1208.7	AUC-A-1265	{ 1208.4 1208.9	AUC-13UV027	1601
				AUC-A-1328	1209
				TD-13-X-28	1311

PART AND DRAWING NUMBER INDEX (Cont'd)

Part No.	Group	Part No.	Group	Part No.	Group
AUC-13UV028	1601	AUC-A-1381	1208.9	AUC-A-1478	0302
AUC-A-1329	1209	HM-1382A	0103	AUC-A-1479	0302
AUC-13UV029	1601	AUC-A-1384	2202	AUC-A-1480	0302
AUC-A-1330	1209	AUC-A-1385	2202	AUC-A-1481	0302
DSF-1-FWU-330Q	1506	AUC-A-1386	2202	AUC-A-1482	0302
AUC-A-1331	1209	AUC-A-1387	2202	AUC-A-1483	0302
AUC-13UV031	1601	AUC-A-1388	2202	AUC-A-1484	0302
AUC-A-1332	1209	AUC-A-1389	2202	AUC-A-1485	0602
AUC-13UV032	1601	AUC-A-1390	2202	AUC-A-1486	0602
AUC-13UV033	1601	AUC-A-1391	2202	AUC-A-1487	0602
AUC-A-1335	1209	AUC-A-1392	2202	AUC-A-1488	0602
AUC-13UV036	1601	AUC-A-1393	2202	AUC-A-1489	0602
AUC-13UV037	1601	AUC-A-1394	0604.1	Z-C148-9F	0301
AUC-13UV038	1601	AUC-A-1395	1209	AUC-A-1490	0602
AUC-A-1339	1208.1	AUC-A-1396	1209	AUC-A-1491	0602
AUC-13UV039	1601	AUC-A-1397	1209	AUC-A-1492	0602
AUC-A-1340	1208.1	Z-C140-2	0301	AUC-A-1493	0602
AUC-13UV040	1601	AUC-A-1404	0602	AUC-A-1494	0602
AUC-A-1341	1208.1	AUC-A-1405	0602	AUC-A-1495	0602
Z-CR134-1	0301	AUC-A-1406	0602	AUC-A-1496	0602
AUC-A-1343	1208.1	AUC-A-1411	0601	AUC-A-1497	0602
AUC-A-1344	1208.1	AUC-A-1412	0602	AUC-A-1500	1804
AUC-13UV044	1601		0604.1	AUC-A-1501	1804
AUC-A-1345	1208.1	TD-14-X-14	1311	Z-C150-1	0301
AUC-13UV045	1601	AUC-A-1425	1208.2	AUC-A-1502	1804
AUC-A-1346	1208.1	AUC-A-1426	1208.2	AUC-A-1503	1804
AUC-13UV046	1601	AUC-A-1427	1208.2	AUC-A-1504	0302
AUC-A-1347	1208.1	AUC-A-1428	1208.2	AUC-A-1505	0302
AUC-13UV047	1601	AUC-A-1429	1208.2	AUC-A-1506	0302
TD-13-X-47	1004	AUC-A-1430	1208.2	AUC-A-1507	0302
AUC-13UV048	1601	AUC-A-1431	1208.2	AUC-A-1508	0302
AUC-A-1349	1208.1	AUC-A-1432	1208.2	AUC-A-1509	0302
AUC-13UV049	1601	AUC-A-1433	1202	AUC-A-1510	0302
AUC-A-1350	1208.1	AUC-A-1434	1202	AUC-A-1511	0302
AUC-13UV050	1601	AUC-A-1435	1208.2	AUC-A-1512	0302
AUC-A-1351	1208.1	AUC-A-1436	1208.2	AUC-A-1513	0302
AUC-13UV051	1601	AUC-A-1437	1202	AUC-A-1514	0302
AUC-A-1352	1208.1	AUC-A-1438	1202	AUC-A-1515	0302
AUC-13UV052	1601	AUC-A-1439	1202	AUC-A-1516	0302
AUC-A-1353	1208.1	AUC-A-1440	1202	AUC-A-1517	0302
AUC-A-1354	1208.1	AUC-A-1441	1202	AUC-A-1518	0302
AUC-A-1355	1208.1	AUC-A-1442	1202	AUC-A-1519	0302
AUC-A-1356	1208.1	AUC-A-1443	1202	AUC-A-1522	1209
AUC-A-1357	1208.1	AUC-A-1444	1202	AUC-A-1523	1208.8
AUC-A-1358	1208.1	AUC-A-1445	1202		2002
AUC-A-1359	1208.1	AUC-A-1446	1202	AUC-A-1524	1208.8
AUC-A-1360	1208.1	AUC-A-1447	1208.2		2002
AUC-A-1361	1208.1	AUC-A-1448	1208.2	AUC-A-1525	1208.8
AUC-A-1362	1208.1	AL-X-1448	0604.1	AUC-A-1526	1208.8
AUC-A-1363	1208.1	AUC-A-1449	1208.2	AUC-A-1527	1208.8
AUC-A-1364	1208.1	HC-1450	0609.1	AUC-A-1528	1208.8
AUC-A-1365	1208.1	AUC-A-1450	1208.2	AUC-A-1529	1208.8
AUC-A-1366	1208.1	HC-1451	0609.1	AUC-A-1530	1208.8
AUC-A-1368	1208.1	AUC-A-1451	1208.2	ECM-F-1542	0603
AUC-A-1370	1208.9	DR-1455	0603	AUC-15UKS090	1804
AUC-13TE070	1601		0802.1	AUC-15UKSA090	1804
AUC-A-1371	1208.9	TD-14X-57	0802.3	HM-1611A	0105.1
AUC-A-1372	1208.9		0802.4	HM-1613A	0105.1
AUC-A-1373	1208.9	TD-14-X-58	1100	AL-X-1621	0601
AUC-A-1375	1208.9	AL-X-1465	0602	TD-16X-23	0802.1
AUC-A-1376	1208.9	AUC-A-1473	0302		0802.3
AUC-A-1377	1208.9	AUC-A-1474	0302	Z-F16X27	0309
PG-MA-1377	0308	AUC-A-1475	0302	TD-16-X-48	1102
AUC-A-1378	1208.9	AUC-A-1476	0302	ECM-F-1648	0603
AUC-A-1379	1208.9	AUC-A-1477	0302	TD-16X-65	0802.2
					0802.3

PART AND DRAWING NUMBER INDEX (Cont'd)

Part No.	Group	Part No.	Group	Part No.	Group
HM-1675A	0102	AL-IGC-2168R	0604.1	Z-B2-52A-1	0301
TD-X-1680	1104	PG-S2D-170	0308	Z-B2-52F-1	0301
HM-1703A	0102	AUC-2UU0178	0105.5	AUC-2UU0521	0102
HM-1707A	0103	AUC-2UU0183	0105.5	AUC-2UUA0521	0102
HM-1711A	0104	AUC-2UUA0183	0105.5	AUC-2UU0522	0102
ECM-F-1712	0603	HM-2186A	0105.2	AUC-2UUA0522	0102
ECM-F-1713	0603	AUC-2UU0197	0308	Z-B2-52A-3	0301
TD-17-X-40	1202	PG-A-2208	0308	AUC-2UU0523	0102
ECM-F-1756	0603	PG-A-2209	0308	AUC-2UUA0523	0102
ECM-F-1757	0603	AUC-2UU0210	0106.6	AUC-25B027	1211
MG-MO-18-MI-14	0504	HM-2210A	{0105.2 0504	AUC-25C027	1211
AUC-18UV051	2002	AUC-2UU0213	0105.5	AUC-25A033	1209
PG-A-1870	0308	AUC-2UUA0213	0105.5	HM-2534A	0101
LPE-C18-86	0201	AUC-2UU0214	0103	AUC-2UU0535	0108
AUC-19D013	1102	AUC-2D0228	0308	AUC-2UUA0535	0108
LPE-C19-13	0201	AUC-2UUB0231	0104	AUC-25C037	{1208 1211
AUC-19UV089	2002	AUC-2UUA0231	0104	AUC-25TH040	1209
AUC-19UVA089	2002	AUC-2UUA0231AS	0104	AUC-25A043	1208
AL-IAD-2004	0604.1	AUC-2UUB0231AS	0104	AUC-25G043	1208
AL-GCE-2012S	0601	PG-G-2237	0308	AUC-25A044	1208
AL-IAD-2015	0604.1	AUC-2UU0256	0101	AUC-25D044	1208
AL-IAD-2019	0603.1	ECM-A-2273	0603	AUC 25G044	1208
TD-20-X-19	1311	PG-G-2280	0308	AUC-25UU0544	0103
TD-20-X-20	1311	PG-G-2281	0308	AUC-25B045	1208
HM-2048A	{0103.5 0105.5	PG-G-2282	0308	AUC-25C045	1208
AL-GCE-2050	0601	ECM-F-2285	0603	AUC-25D045	1208
TD-20-X-54	1311	PG-G-2287	0308	AUC-25G045	1208
AL-GEH-2054F	0601	PG-G-2289	0308	AUC-25H045	1208
TD-20-X-55	1311	PG-G-2290	0308	AUC-25U047	1208
AL-IGS-2062	0604.1	PG-G-2291	0308	AUC-25UA047	1208
PG-A-2068	0308	PG-G-2293	0308	AUC-25UB047	1208
AL-ML-2085	0603	AUC-2UU0318	0106.2	AUC-25UU050S	1208.3
AL-ML-2090	0603	AUC-2UU0319	0106.2	AUC-25G053	1211
AUC-2UU0104	0106.6	AUC-2UUA0319	0106.2	AUC-2UU0553	0104
AUC-2UU0109	0104	HC-2323	0609.2	AUC-2UUA0553	0104
AUC-2UU0109AS	0104	Z-C23-26	0301	AUC-25G054	1211
AL-ML-2110	0603	AUC-2UU0329	0105.1	AUC-25UU061S	1208.6
AUC-2UU0110	0106.6	DSF-2-FWU-330Q	1506	AUC-25A069	1208
LPE-X21-11	0201	PG-G-2335	0308	AUC-2UU0575	0106.2
AUC-2UUA0115	0104	AUC-2UU0344	0308	AUC-2UUA0575	0106.2
AUC-2UU0118	0104	PG-S2A-345	0308	ECM-F-2578	0603
AUC-2UU0122	0106.1	PG-G-2373	0308	AUC-2UU0578	0106.6
AUC-2UU0126	0106.1	PG-G-2374	0308	AUC-2UUA0578	0106.6
AUC-2UU0127	0106.1	PG-G-2376	0308	ECM-F-2579	0603
AUC-2UU0128	0106.1	AUC-2UU0377	0106.6	AUC-2TH0783	0603
AUC-2UU0129	0106.1	HM-2396A	0106.6	AUC-2UU0583	0106.6
AUC-2UUA0129	0106.1	AUC-2UUA0447	0104	AUC-2UUA0583	0106.6
HM-2129A	{0101 0102	AUC-2UU0464	0106.1	AUC-2UU0589	0109
AL-IGC-2130RB	0604.1	AUC-2UUA0464	0106.1	AUC-2UU0598	0106.4
AL-IGC-2130RL	0604.1	AUC-2UU0477	0106.4	AUC-25ZGEW099	1202
AUC-2UU0131	0106.1	AUC-2UU0495	0601	AUC-25ZGEW099A	1202
AUC-2UU0138	0106.6	AUC-2UU0509	0102	AUC-2UU0602	0106.4
AUC-2UUA0138	0106.6	AUC-25UU010S	1209	AUC-2UU0607	0106.2
PG-G-2141	0308	AUC-2UU0511	0102	AUC-2UU0611	0106.2
AUC-2UU0141	0108	AUC-2UU0512	0102	AUC-2UUA0611	0106.2
AUC-2UUA0141	0108	AUC-2UU0513	0102	TD-26-X-19	1101
AUC-2UU0142	0108	AUC-2UU0514	0102	AUC-2UU0624	0109
AUC-2UU0143	0108	AUC-2UU0515	0102	AUC-2UU0625	0109
AUC-2UU0148	0106.1	AUC-2UU0516	0102	AUC-2UU0651	0102
AL-IGC-2148C	0604.1	AUC-2UU0517	0102	AUC-2UU0652	{0105.3 0105.5
AUC-2UU0150	0106.1	AUC-25KL021	1208.2	TD-26X-52	0804
AUC-2UU0153	0103	AUC-25KM021	1208.2	AUC-2UUA0652	0109
AUC-2UU0161	0106.6	AUC-25KR021	1208.2		
		AUC-25KS021	1208.2		

PART AND DRAWING NUMBER INDEX (Cont'd)

Part No.	Group	Part No.	Group	Part No.	Group
AUC-2UU0652A	0105.5	DSF-FWZ-3011	1506	AUC-3TF352	0200
AUC-2UU0653	0102	GL-3012-A	0609.1	AUC-3UU383	0704
AUC-2UU0655	0102	GL-3012-B	0609.1	AUC-3UU384	0704
AUC-2UU0657	0102	DSF-FWX-3015	1506	AUC-3UU385	0704
AUC-2UU0660	0308	DSF-FWX-3018	1506	AUC-3UNF385	0704
TD-26-X-61	1102	DSF-FWX-3019	1506	AUC-3DF387A	0704
SZ-C-2662	0505	DSF-FWX-3020	1506	AUC-3TF393A	0702.2
AUC-2UU0662	0109	DSF-FW-3022	1506	AUC-3TF415C	0704
Z-CR26-65	0301	DSF-SD-3023	1506	AUC-3TF422A	0702.2
AUC-2UU0670	0308	AL-MH-3028	0603	AUC-3TF429B	0702.3
AUC-2UU680	0100	AL-IGP-3028FS	0604.1	AUC-3TF429BS	0702.3
AUC-2UUA680	0100	AL-VRY-3035	0602	AUC-3TFB429BS	0702.3
PG-G-2682	0308	AL-VRY-3070B	0602	AUC-3TF431A	0702.2
AUC-2UU0710	0105.1	AL-VRY-3071A	0602	AUC-3TFB435	0704
AUC-2UUA0710	0105.1	ECM-F-3073	0603	AUC-3TF441A	0702.1
AUC-2UU0728	0106.2	ECM-F-3076	0603	AUC-3UU516	0701
AUC-2UU0729	0106.2	ECM-F-3077	0603	AUC-3B0522	0201
AUC-2UUA0729	0106.2	AUC-3T111	0704	AUC-3UU530	0200
AUC-2UU0737	0106.2	TD-3-X-111	1202	AUC-3UUA0530	0700
AUC-2UU0743	0106.2	ECM-F-3135	0603	AUC-3UU0544	0201
AUC-2UU0745	0106.2	AUC-3A0137B	0802.2	AUC-3B0559	0201
AUC-2UU0746	0106.2	AL-IGW-3139	0604.1	TS-3575C	1804
SZ-C-2750	0505	AUC-3ZKE0140	0900	TS-3575D	1804
AUC-2BL0774	0105.5	AUC-3ZUN0140	0900	AUC-3UU0580	0200
AUC-2UU0774	0105.3	AUC-3ZUNC0140	0900	AUC-3UU601	0701
AUC-2UU0774S	0105.3	AUC-3ZD0140D	0900	Z-C36-12	0301
AUC-2TH0775	0105.3	AUC-3TF0142B	0702.3	AUC-3U0622	0202
	0105.5	TD-3X-146	0804	AUC-3RG0632	0900
	1005.3	AUC-3UU0156	0702.3	AUC-3UN0632	0900
AUC-2UU0776	0105.5	ECM-F-3159	0603	AUC-3CF0633	0900
PG-G-2781	0308	TD-3-X-171	1004	AUC-3RG0633	0900
AUC-2TH0782	0103	AUC-3UU0196	0702.2	AUC-3UN0635	0900
AUC-2UU0782	0103	AUC-3TF0200A	0702.2	AUC-3RG0635A	0900
PG-G-2784	0308	ND-3203	0601	AUC-3DF0637	0900
PG-G-2807	0308	ND-3204	0601	AUC-3ZD0637	0900
AUC-28UU009	1604	AUC-3TFB206	0702.3	AUC-3GE0647A	0900
TP-28DP10	1401	ND-3207	1209	AUC-3RG0647	0900
PG-G-2811	0308	SW-3213	0802.2	AUC-3GE0648	0900
AUC-28UU019	1604	AUC-3RG0218	0900	AUC-3UN0648	0900
TP-28DP21	1401	AUC-3UB0218	0900	AUC-3B0673	0201
AUC-2UU0828	0106.2	AUC-3A0219	0900	AUC-3UU0674	0201
AUC-2UU0829	0106.2	AUC-3DF0219	0900	AUC-3ZT0677C	0201
AUC-2UU0831	0106.4	AUC-3DF0221	0900	AUC-3ZT0679	0201
PG-S2B-831	0308	AUC-3RG0221	0900	AUC-3UU0679S	0201
TP-28SL33	1401	AUC-3T9222	0900	AUC-3ZT0681C	0201
AUC-2TH0837	0103	AUC-3Y228	0702.1	AUC-3B0682	0201
AUC-28UV050	1604	AUC-3B0243A	0201	AUC-3ZT0683	0201
AUC-2UU0855	0604.1	AUC-3UU0260	0701	AUC-3UU0685	0201
AUC-28UU060	1604	AUC-3T261	0702.3	AUC-3A0689	0900
AUC-28UV060	1604	AUC-3TF261	0702.2	AUC-3ZD0689	0900
AUC-2UU0862	0104	AUC-3T262	0702.3	AUC-3LE0689A	0900
AUC-2UU0863	0104	AUC-3TF262	0702.2	AUC-3UN0728	0900
AUC-2UU0873	0104	TD-3-X-264	1401	AUC-3RG0728	0900
AUC-2UU0875	0104	AUC-3S282A	0701	AUC-3RG0729	0900
AUC-2UU0877	0104		1201	AUC-3UN0729	0900
AL-X-2878	0604.1	AUC-3FK0285	0802.4	AUC-3ZT0749	0201
AUC-2UU0879	0104	AUC-3TF304A	0702.3	TS-3754-B	1804
TP-28D99	1401	AUC-3TF317A	0701	TS-3754-C	1804
AUC-2UU0910	0103	AUC-3TF318A	0702.2	TS-3754-G	1804
AUC-2UU0956	0106.4	AUC-3TF321A	0702.3	AUC-3DD0755	0900
AUC-2UU0957	0106.6	AUC-3DF324	0704	PG-G-3770	0308
AUC-2UUA0962	0109	AUC-3UDF324	0704	AUC-3UU0770	0201
AUC-2T0986	1208.8	AUC-3TF326A	0702.3	PG-G-3771	0308
DSF-FWZ-3010L	1506	AUC-3TFB327	0702.3	AUC-3A0775	0900
DSF-FWZ-3010R	1506	AUC-3TF341A	0702.1	TS-3777	1804

PART AND DRAWING NUMBER INDEX (Cont'd)

Part No.	Group	Part No.	Group	Part No.	Group
TS-3777B.....	1804	AUC-4ZGEW0220.....	{ 1002	AUC-4G0678.....	1202
AUC-3UU0800.....	0201		{ 1102	HM-4682A.....	0105.2
SZ-C-3806.....	0505	AUC-4Y228.....	{ 0702.1	AUC-4G0683.....	1311
AUC-3UU0816.....	0701		{ 0702.3	AUC-4ZGEW0695.....	{ 1006
HM-3824A.....	0104	AUC-4FD0237.....	1006		{ 1104
TIM-3920.....	0802.3	TD-4-X-250.....	1102	AUC-4G0699.....	1104
PG-G-3978.....	0308	HM-4251A.....	0106.6	AUC-4SK0730.....	1006
TIM-3979.....	0802.3	AUC-4GKW0254.....	1202	AUC-4GKW0743.....	1202
PG-G-3983.....	0308	ECM-F-4265.....	0603	AUC-4GK0744.....	1202
Z-FR390-2.....	0309	AUC-4G287.....	1104	AUC-4NK0751.....	{ 1002
HM-3923A.....	0104	HM-4309A.....	0504		{ 1102
AUC-3B0982.....	0202	TD-4-X-335.....	1202	AUC-4GKW0763.....	1002
AL-IAD-4006.....	0604.1		{ 0105.3	AUC-4FK0764.....	0801
HM-4038A.....	0105.2	HM-4342A.....	{ 0105.5	HM-4765A.....	0102
HM-4039A.....	0106.6		{ 0109	AUC-4FK0766.....	0801
AL-IG-4070H.....	0605	AUC-4G0351.....	1104	AUC-4FK0768.....	0801
AL-IG-4090A.....	0605	AUC-4FD0358.....	1002	AUC-4FE0773.....	1102
AUC-4GKW0110.....	1202	TD-4-X-389.....	1004	HM-4790A.....	{ 0101
AUC-4GKW0120.....	1202	AUC-4GE0395A.....	1102		{ 0601
AUC-4ZGEW0122.....	1102	TD-4-X-397.....	1002	AUC-4GKW0801LH.....	1312
AUC-4GKW0123.....	1002	SP-KL4-3-98X.....	0900	AUC-4GKW0801RH.....	1312
AUC-4ZGEW0123.....	1102	AUC-W-4400.....	0301	AL-GEW-4802.....	0601
AUC-4GKW0125.....	1002	AUC-4G0404A.....	1312	AUC-4GKW0809LH.....	1312
AUC-4ZGEW0125.....	1102	AUC-4G0412.....	1311	AUC-4GKW0809RH.....	1312
AUC-4GLW0130.....	1202	AUC-4SK0417.....	1001	AUC-4G0811A.....	1312
AUC-4GKW0130.....	1202	AUC-4FE0425.....	1002	HM-4879A.....	0101
AUC-4DFL0137.....	1002	AUC-4NK0425.....	1002	AUC-4GKW0880.....	1004
AUC-4A0138.....	1004	ECM-F-4453.....	0603	AUC-4ZGEW0890.....	1102
AUC-4DFL0138.....	1002	AUC-4GKW0460.....	1002	AUC-4GKW0890.....	1002
AUC-4GKW0138.....	1002	AUC-4BLB0460.....	1002	SZ-C-4913.....	0505
AUC-4FD0139.....	1311	AUC-4A0499.....	1311	AUC-4G0936.....	1101
AUC-4RL0142.....	1002	AUC-4SK0499.....	1004	AUC-4ZGEW0961.....	1102
AUC-4NFG0143.....	1002	AUC-4GLW0503.....	1311	AUC-4ZGEW0962.....	1102
AUC-4G0145B.....	1311	AUC-4GLW0504.....	1311	AUC-4AK0974.....	1401
AUC-4GKW0146.....	1202	AUC-4GKW0505.....	1311	AUC-4ZGEW0974.....	1401
AUC-4GLW0146.....	1202	AUC-4GKW0506.....	1311	AUC-4UU0992.....	1102
AUC-4F0147.....	1101	AUC-4GKW0521.....	1002	AUC-4ZGE0992.....	1102
AUC-4SK0149.....	1202	TD-4-X-526.....	1004	AUC-4ZGE0993.....	1102
AUC-4G0155.....	1202	ECM-F-4529.....	0603	SZ-C-5098.....	0505
GW-4Y155.....	2002	TD-4-X-545.....	1002	AUC-5UUA0100.....	0505
AUC-4G0156.....	1311	AUC-4G0550.....	1311	AUC-5UUA0100A.....	0505
AUC-4UU0158.....	1002	HM-4550A.....	0109	AUC-5UU0128.....	0109
AUC-4NFG0158.....	1002	AUC-4BLB0576.....	1002	AUC-5UU0128A.....	0109
AUC-4ZGEW0159.....	1202	AUC-4GKW0576.....	1002	AUC-5DW0132.....	0505
AUC-4GTC0163.....	1102	SP-K4-5-78.....	0900	AUC-5DW0133.....	0505
AUC-4NFG0164.....	1202	HM-4605A.....	0106.1	AUC-5UUA0137.....	0504
AUC-4G0166.....	1311	HM-4625A.....	0106.2	AUC-5UUB0137.....	0504
AUC-4BQ0170.....	1102	HM-4629A.....	0106.1	AUC-5UU0171.....	0505
TD-4-X-173.....	1002	AUC-4ZGEW0638.....	{ 1002	AL-5X-179.....	0603
AUC-4GE0173.....	1102		{ 1102	AUC-5UU0192.....	0505
TD-4-X-175.....	1102	AUC-4FD0648.....	1002	AUC-5UUA0192.....	0505
AUC-4FD0176.....	{ 1001	AUC-4ZGEW0648.....	1102	AUC-5UUB0192.....	0505
	{ 1002	AUC-4G0652.....	1000	AUC-5UU0209.....	0504
AUC-4U0178.....	1000		{ 0802.1	AUC-5UU217.....	0503
TD-4-X-180.....	1006	AUC-4FD0652.....	{ 0802.3	AUC-5UU222.....	0505
AUC-4BL0183.....	1002		{ 0802.4	AUC-5UUA0222.....	0504
AUC-4G0183.....	1311	AUC-4GTC0652.....	1100	AUC-5UU0234.....	0505
TD-4-X-186.....	{ 1002	AUC-4ZGE0653.....	1102	AUC-5TH0238.....	0504
	{ 1102	AUC-4GKW0660.....	1101	DSF-SD-5240S.....	1506
AUC-4EB0187.....	1102	AUC-4G0667.....	1202	FR-5241.....	0106.2
PG-G-4189.....	0308	SP-K4-6-68.....	0900	AUC-5CB0242.....	0505
AL-VRY-4201A.....	0602	STN-4670A.....	0501	AUC-5UU0242.....	0505
AL-VRY-4201C.....	0602	AUC-4F0671.....	1202	AUC-5UUA0264.....	0504
AL-ML-4209.....	0603	AUC-4G0673.....	1102	AUC-5UUB0264.....	0504
AUC-4FD0219.....	1002	AUC-4G0674.....	1102	FR-5267.....	0106.2

PART AND DRAWING NUMBER INDEX (Cont'd)

Part No.	Group	Part No.	Group	Part No.	Group
AUC-5UU0272	0503	AUC-5UUA0675	0504	AUC-6UU0694	0302
AUC-5UU0274	0505	SP-K5-6-78X	0900	AUC-6UU0695	0302
AUC-5SA0275	0505	NC-5719	0308	PG-G-6701	0308
AUC-5UU0275	0505	AUC-5UKS0720	0501	AUC-6UG0757	0301
AUC-5UU0280	0109	DSF-NF-58T96	1506	TRI-FP-676-1	2202
TD-5X-287	0804	PG-G-5950	0308	DSF-FWU-6765	1506
AUC-5D0300	0501	ACC-C-598-1	1201	DSF-FWU-6766B	1506
AUC-5UU305	0501	ACC-C-598-3	1201	AUC-6UU0774	0301
TD-5-X-322	1004	NC-6053	0308	AUC-6BL0775	0301
TD-5-X-328	1311	SZ-C-6060	0505	AUC-6UU0775	0301
TD-5X-349	0804	SZ-C-6061	0505	AUC-6UU0776	0301
AUC-5UU355	0505	SZ-C-6062	0505	AUC-6BL0777	0301
AUC-5UU355A	0505	SPT-B6069A	0508	AUC-6BL0778	0301
AUC-5UU362	0503	AUC-6UU0116	0301	AUC-6UU0781	0301
ORD-A5862	1503	AUC-6BL0117	0301	AUC-6UU0782	0301
ORD-A5864	1503	AUC-6UUA0117	0301	AUC-6BL0783	0301
ORD-A5865	1503	AUC-6UU0118	0301	AUC-6BL0784	0301
AUC-5UUA0378	0504	AUC-6UU0128	0301	AUC-6UU0785	0301
TD-5-X-385	1006	AUC-6UU0131	0301	DSF-FWU-6786	1506
AUC-5UU0392	0504	AUC-6UUA0131	0301	AUC-6UU0834	0301
AUC-5UUA0424	0504	AUC-6UU0142	0301	AUC-6BL0835	0301
AUC-5UUA0425	0504	AUC-6UU0151	0301	AUC-6UU0836	0301
AUC-5UUA0426	0504	AUC-6UU0156	0301	AUC-6BL0837	0301
AUC-5UUA0427	0504	AUC-6UKSA0160	0306	AUC-6BL0838	0301
AUC-5UUA0428	0504	AUC-6BL0164	0301	AUC-6BL0843	0301
AUC-5UUA0429	0504	AUC-6UU0167	0301	AUC-6BL0844	0301
AUC-5UU461	0501	AUC-6UU0168	0301	AUC-6UU0844	0301
AUC-5UU480	0505	AUC-6UU0180	0301	AUC-6UUA0844	0301
SPT-B5500	0608	AUC-6UUA0180	0301	AUC-6UU0846	0302
GL-5513A	0609.1	AUC-6UUB0180	0301	AUC-6UG0857	0301
SP-KR-5-5-68	0900	AUC-6UU0190	0301	AUC-6UU0892	0301
AUC-5UU0579	0503	AUC-6UU0207	0301	AUC-6UU0893	0301
AUC-5UU0586	0504	AUC-6URKA211	0306	AUC-6UU0894	0301
AUC-5UU590	0501	AUC-6UU0214	0301	AUC-6UU0895	0301
AUC-5UUA590	0501	AUC-6UU0218	0301	AUC-6UUA0895	0301
AUC-5UU0591	0109	PG-G-6260	0308	AUC-6UU0896	0301
AUC-5UU0594	0106.6	AUC-6UU0280	0301	AUC-6UU0897	0301
AUC-5UU0599	0109	AUC-6UU0304	0304	AUC-6UU0899	0301
AUC-5UU0601	0109	AUC-6UKS311	0306	AUC-6UU0901	0301
AUC-5UU0602	0109	GW-6X3 ¹ / ₂	2001	AUC-6UU0941	0306
AUC-5UU0603	0109	GW-6X3 ¹ / ₄	2001	AUC-6UUA0947	0301
AUC-5UU0604	0109	AUC-6UU0336	0301	AUC-6URK0949	0309
AUC-5UU0605	0109	AUC-6UUA0336	0301	AUC-6URK0951	0309
AUC-5UU0606	0503	GW-6X3 ³ / ₈	2001	AUC-6URK0952	0309
AUC-5UU0607	0503	AUC-6UU0343	0301	AUC-6URK0953	0309
AUC-5UU0608	0503	AUC-6UKSA344	0304	AUC-6URK0953A	0309
AUC-5UU0612	0503	AUC-6UU0346	0301	AUC-6URK0954	0309
Z-T56-13	0301	AUC-6UU350	0301	AUC-6URK0955	0309
Z-T56-15	0301	AUC-6UU0358	0301	AUC-6URK0955A	0309
Z-T56-23	0301	AUC-6UU0434	0301	AUC-6URK0956	0309
Z-T56-24	0301	AUC-6UU0442	0301	AUC-6URK0957	0309
Z-T56-27	0301	AUC-6UU0447	0301	AUC-6URK0958	0309
Z-T56-36	0301	AUC-6UU0449	0301	AUC-6UU0961	0301
AUC-5UU0638	0504	AUC-6UU0475	0301	AUC-6UU0961A	0301
AUC-5UUB0638	0504	AUC-6UUA0475	0301	AUC-6UU0974	0304
AUC-5UU0641	0109	AUC-6UUB0475	0301	AUC-6UUA0991	0302
AUC-5UU0643	0109	AUC-6UU0485	0301	AUC-6UU0991A	0302
AUC-5UU0644	0505	AUC-6UUA0485	0301	HM-7056A	0104
Z-T56-48	0301	AUC-6UU0550	0301	HM-7064B	0603
AUC-5UUA0653	0504	TD-T-6551	1102	SZ-C-7067	0505
AUC-5UU0666	0505	AUC-6UU0553	0301	TIM-07098	0505
AUC-5UUA0671	0504	AUC-6UU0554	0301	STN-7I05A	0106.6
AUC-5UUA0672	0504	AUC-6U0600B	0306	Z-F7X122	0309
AUC-5UUA0673	0504	AUC-6UN0610	0306	AUC-7T144	0401
AUC-5UUA0674	0504	Z-C66-41	0301	TIM-07204	0505

PART AND DRAWING NUMBER INDEX (Cont'd)

Part No.	Group	Part No.	Group	Part No.	Group
AUC-7UU204	0401	AL-8X-353	0604.1	AUC-9SK0436	1006
ND-7209	0802.1	GW-8X4½	2001	AUC-9CK0437	1006
GW-7Y220	2001	AUC-8BL0455	0604.1	AUC-9SK0438	1004
AUC-7C222	0401	AUC-8UU0467A	0604.1	AUC-9SK0441	1001
TD-T-7308	1104	AUC-8UU0469	0604.1	AUC-9SK0442	1001
ND-7309	0802.4	AUC-8UU0472A	0604.1	AUC-9SK0447	1004
AUC-7N309A	0401	AUC-8UUA0472A	0604.1	AUC-9SK0448	1002
Z-T73-15	0301	GLH-8515	0505	AUC-9SK0448	1004
ZUC-7SA329	0401	GLH-8515NP	0505	AUC-9SK0449	1401
AUC-7UV403	0401	AUC-8UU0521A	0604.1	AUC-9SK0451	1004
ND-7409-XL	0702.1	AUC-8BL0527	0604.1	AUC-9SK0452	1004
AUC-7CBA410	0401	AUC-8UUA0527	0604.1	AUC-9SK0453	1004
HC-7421	0608	AUC-8BL0528	0604.1	AUC-9SK0454	1004
SZ-F-07464	0505	AUC-8UU0531	0604.1	AUC-9SKA0454	1004
GW-7Y521	2002	AUC-8UU0531A	0602	AUC-9SK0455	1004
ND-7609	0802.1	AUC-8UU0531A	0604.1	AUC-9SK0456	1202
ND-7610	0802.4	AUC-8UU0534A	0604.1	AUC-9SK0457	1202
Z-C-76-21	0301	AUC-8UU0547	0605	AUC-9AK0458	1202
HM-8077A	0109	AUC-8UU0549	0604.1	AUC-9AK0459	1202
HM-8082A	0101	AUC-8UU0552	0604.1	AUC-9AK0461	1202
AUC-8UU0115	0605	HM-8552A	0106.2	AUC-9SK0464	1202
AUC-8UUA0115	0605	AUC-8UKS0553	0605	AUC-9GKW0464A	1004
AUC-8BLA0120	0605	HM-8571A	0106.4	AUC-9NK0473	1006
AUC-8BL0120A	0605	HM-8572A	0106.4	AUC-9AK0475	1401
AL8-X-137	0602	HM-8573A	0106.4	AUC-9ZDK0475	1401
HM-8146A	0106.6	HM-8574A	0106.4	AUC-9SK0476	1006
AL-8X-177	0601	HM-8575A	0106.4	AUC-9SK0477	1006
AUC-8A0179	0605	HM-8588A	0106.6	AUC-9AK0478	1006
HM-8179A	0503	AUC-8UU0589A	0604.1	AUC-9SK0479	1006
AL-8X-183A	0602	AUC-8UU0590	0604.1	AUC-9SK0481	1006
AUC-8UU0210	0604.1	AUC-8UU0590A	0604.1	AUC-9SK0482	1006
AUC-8UU0210A	0604.1	ND-WC-8605	0504	AUC-9SK0483	1006
AUC-8UU0220	0604.1	AL-8X-726	0601	AUC-9SKW0484	1006
AUC-8UUA0220	0604.1	AL-8X-794	0601	AUC-9SKA0485	1006
AUC-8UU0230A	0604.1	AL-8X-794	0603	AUC-9AK0486	1006
AUC-8UU0249	0604.1	YH-8796	0609.2	AUC-9AK0487	1006
AUC-8UU0260	0604.1	YH-8797	0609.2	AUC-9SK0488	1006
AUC-8UU0260A	0604.1	AL-8X-884	0604.1	AUC-9SK0498	1004
AUC-8UU0283	0604.1	HE-A-8897	1604	AUC-9GKW0501	1004
AUC-8UUA0283	0604.1	HE-A-8898	1604	AUC-9GKW0502A	1004
AUC-8UU0283A	0604.1	SZ-C-9095	0505	AUC-9GKW0505	1004
AUC-8BL0287	0604.1	AUC-9GKW0100	1202	AUC-9N0514	1312
AUC-8UU0288	0604.1	AUC-9SK0121	1202	AUC-9SK0514	1312
AUC-8UU0293A	0604.1	AUC-9SK0130	1311	AUC-9GKW0551	1006
AUC-8UU0297A	0604.1	AUC-9SKA0134	1202	AUC-9GKW0552	1006
AL-8X-301	0604.1	AUC-9SK0140	1004	AUC-9GKW0553	1006
AUC-8UU0306	0604.1	AUC-9SK0146	1202	AUC-9UU0569	1000
AUC-8UU0311	0604.1	AUC-9AK0147	1202	AUC-9UU0571	1000
AUC-8BL0314	0604.1	AUC-9GK0170	1002	AUC-9UU0573S	1002
AUC-8T0314	0605	AUC-9SK0175	1311	AUC-9UU0574	1004
AUC-8UU0316	0604.1	AUC-9SK0178	1311	AB-A-959-1	0202
AUC-8UU0317	0604.1	AUC-9UN223	1401	AUC-9GKW0593	1006
AUC-8UUA0317	0604.1	AUC-9AK0232	1312	PG-G-9600	0308
AUC-8UU0317A	0604.1	AUC-9SK0251	1202	AUC-9AK0807	1312
AUC-8UUA0317A	0604.1	AUC-9GKW0291	1006	AUC-9BK0820	1006
AUC-8UUB0317A	0604.1	AUC-9TA0294	1102	AUC-9SK0825	1311
AUC-8UU0321	0604.1	AUC-9GKW0300	1202	AUC-9SKA0825	1311
AUC-8UU0325	0604.1	AUC-9GLW0300	1202	AUC-9SK0830	1001
AUC-8UU0327	0604.1	AUC-9SKA0300	1202	AUC-9SK0860	1004
AUC-8UU0328	0604.1	AUC-9SKA0310	1202	AUC-9GLW0880	1004
AL-8X-350	0602	AUC-9GKW0411	1401	AUC-9GKW0890	1004
	0604.1	AUC-9GKWA0430	1000	AUC-9GLW0890	1004
		AUC-9GKW0433	1006	Z-0-9932	0301
		AUC-9GKW0434	1006	SP-99-40	0900
		AUC-9AK0435	1006	AUC-10UU0100	1201

PART AND DRAWING NUMBER INDEX (Cont'd)

Part No.	Group	Part No.	Group	Part No.	Group
AUC-10UA115	0312	AUC-10UU362	1201	SZ-C-11607	0505
Z-C101-19	0301	AUC-10UU422A	1201	HM-11615A	0103
AUC-10T125	{0202 1206	AUC-10UU423	0704	FR-11639	0106.2
AUC-10UU0130	0704	AUC-10DA0424	0611	HM-11697A	0109
AUC-10Y135A	1201	AUC-10RJ0520	1401	FR-11733	0106.2
AUC-10UU0162	1401	AUC-10RJ0520A	1401	FR-11734	0106.2
AUC-10W0163	0611	AUC-10RJ0550	1401	FR-11735	0106.2
AUC-10W165	0202	AUC-10UB553	0202	HM-11756A	0104
AUC-10RM0166	0611	AUC-10UB554	1206	HM-11770BS	0503
TD-10-X-180	1202	AUC-10SA0592	1401	HM-11825B	0106.5
TD-10-X-189	1202	AUC-10RJ0593	1401	UTS-A-12004	0304
AUC-10Y195A	1401	AUC-10TA0593	1401	Z-CR121-10	0301
AUC-10T205	0704	AUC-10UT0593	1401	AUC-1A2112	1804
AUC-10J0206	1401	AUC-10C0598	1401	UTS-C-12129	0304
AUC-10GE0215	1401	AUC-10SDA0601	1401	AUC-12NJ0130	1601
	{0202 0804	AUC-10DA0648	0611	AUC-12Y133A	1201
AUC-10S215	1201	AUC-10S0701	1201	AUC-12UKSC0140	2101
	1206	AUC-10Y0721	1401	AUC-12UU0160	1601
AUC-10CA0216	1401	AUC-10UK0722	0611	AUC-12W179	0312
AUC-10GE0216	1401	AUC-10RM0724	0611	AL-12X-199	0602
AUC-10QC216	1401	AUC-10BL0725	0611	AUC-12TE225	1601
TD-10-X-216	1401	AUC-10RM0726	0611	ES-12230	0612
AUC-10C0224	1401	AUC-10RJ0770	1401	AUC-12UG237	0800
AUC-10F224A	1201	TRI-SP-1079-2X	2202	UTS-A-12246	0304
AUC-10UU227	0312	AUC-10UU0835	0312	AUC-1A2251	1804
AUC-10SCK0227	1401	AUC-10UU0843	1201	AUC-12UV256	0401
AUC-10RJ0228	1401	AUC-10T0844	1201	AUC-12S0260A	1201
AUC-10RJA0228	1401	AUC-10UU0844	1201	AUC-12UV303	2101
AUC-10T239	1201	AUC-10UB0879	1206	AUC-12UU303A	2101
AUC-10D241A	1201	AUC-10UU5879	1206	AUC-12UVE342	1501
AUC-10Y0251A	1401	AUC-10UB0882	0202	AUC-12UVF342	1501
AUC-10UB255	0202	AUC-10UU0896	0804	AUC-12UV343	1501
AUC-10B256	2002	AUC-10TA0911	1201	AUC-12UU357	1601
	{0804 1201	AUC-10S0913	1201	AUC-12UU357A	1601
AUC-10F256	1206	AUC-10S0914	1201	AUC-12UU402	2101
	2002	AUC-10S0914	1201	AUC-12UV402A	2101
AUC-10TE256	2002	AUC-10RJ0920	1401	AUC-12SK406A	1601
AUC-10UU256	0202	AUC-10S0926	1201	AUC-12UU412	1501
AUC-10D256A	1201	AUC-10S0927	1201	AUC-12NJ434	1601
AUC-10T258	0202	AUC-10S0928	1201	AUC-12UU442	1501
TD-10-X-260	1004	AUC-10S0929	1201	AUC-12UVA442	1501
	{0312 1208	AUC-10HDA0930	1401	AUC-12UUB442	1501
AUC-10T263	0312	AUC-10S0935	1201	AUC-12UVB442	1501
	1208	AUC-10S0936	1201	AUC-12UU443	1501
AUC-10DFJ272	0312	AUC-10S0937	1201	AUC-12UU444	1501
AUC-10SA272	0312	AUC-10S0938	1201	AUC-12UV444	1501
AUC-10AB279	1211	AUC-10S0939	1201	AUC-12UVA444	1501
	{0202 1206	AUC-10S0941	1201	AUC-12UVB444	1501
AUC-10D279	0202	AUC-10S0942	1201	AUC-12UVF444	1501
	1206	AUC-10RJ0970	1401	AUC-12TE454	1601
	0312	SW-T-11012	0802.2	AUC-12UU486	0100
AUC-10G279	1208.8	Z-C111-17	0301	AUC-12UU545	1602
AUC-10UUA279	0312	HE-A-11155	1604	AUC-12UU564	0800
AUC-10Y279	0202	HE-A-11156	1604	AUC-12UU588	0100
AUC-10ZUBLA279	1211	Z-C111-62	0301	ORD-B12694	1503
AUC-10CD0307	1401	HM-11316A	0109	AUC-12UV750	1501
AUC-10TE309A	0202	HM-11352A	0101	AUC-12UVB750	1501
AUC-10UU310	1401	HM-11407A	0503	AUC-12UVC750	1501
AUC-10SJ0314	1401	HM-11485A	0108	AUC-12UVE750	1501
AUC-10UU321	1201	FR-11559	0106.2	AUC-12UVH750	1501
AUC-10CD0323	1401	FR-11580	0106.2	Z-C130-16	0301
AUC-10UU328	0312	FR-11581	0106.2	AUC-13Y113	1601
AUC-10M346A	1201	FR-11582	0106.2	AUC-13UV0127	1601
AUC-10UU348	0202	FR-11583	0106.2	AUC-13C0128A	1601
AUC-10UU361	0202	FR-11584	0106.2	AUC-13UV0132	1601

PART AND DRAWING NUMBER INDEX (Cont'd)

Part No.	Group	Part No.	Group	Part No.	Group
AUC-13UV0135	1601	Z-C149-24	0301	AUC-15DLS374	1804
AUC-13UV0157	1602	Z-C149-22	0301	AUC-15UKSF374	1804
AUC-13UV0158	1602	HM-14933A	0102	AUC-15UKSK374	1804
AUC-13UV0159	1602	HM-15005B	0105.2	SZ-C-15375	0504
AUC-13UV0161	1602	HM-15006B	0105.2	HM-15416B	0601
AUC-13UV0162	1602	TD-15014	1102	AUC-15U419A	1803.1
AUC-13UV0212	1601	TD-15015	1202	HM-15460C	0504
AUC-13UV0214	1601	HM-15015B	0105.1	HM-15461C	0504
AUC-13TE226	1601	HM-15024C	0105.5	HM-15464A	0504
AUC-13UU256	1601	HM-15039B	0105.5	HM-15465A	0504
AUC-13UVA0276	1601	HM-15043B	0105.3	HM-15466A	0504
AUC-13UVA0277	1601	HM-15044B	0105.3	AUC-15UKS468	1804
AUC-13Y293B	1601	HM-15048B	0109	AUC-15UKSF468	1804
AUC-13TE297	1601	HM-15049B	0105.4	AUC-15UKSF469	1804
AUC-13TE298	1601	HM-15056B	0109	AUC-15UKS471	1804
AUC-13TE299	1601	HM-15056BS	0109	AUC-15UKSF471	1804
AUC-13DF301A	1601	HM-15061A	0105.5	AUC-15UKS472	0607
AUC-13UV314	1601	HM-15065B	0103	AUC-15UKSA472	0607
AUC-13UVB314	1601	HM-15088B	0105.2	AUC-15UKS475	1804
AUC-13C341A	1601	HM-15096A	0109	AUC-15UKSF475	1804
AUC-13UV342	1601	HM-15097A	0604.1	HM-15480C	0103
AUC-13UVA342	1601	HM-15099B	0109	AUC-15UKS497	1804
AUC-13UV343	1601	HM-15099BSY	0109	AUC-15UKSF497	1804
AUC-13GTD392	1601	HM-15103A	0102	AUC-15UKS0500	1800
AUC-13UU395	1601	HM-15105B	0105.5	AUC-15UKSD0500	1800
AUC-13TE406	1601	HM-15122A	0106.1	AUC-15UKSE0500	1800
AUC-13UV409	1601	HM-15125A	0106.1	HM-15510A	0105.1
AUC-13UV411	1601	HM-15126A	0106.1	HM-15510B	0105.1
TD-13453	1102	TD-15-X-130	1002	HM-15520A	0105.1
Z-C138-61	0301		1102	HM-15520B	0105.1
HE-1-3981	1604	HM-15131A	0106.1	AUC-15UKSF589	2201
Z-C141-47	0301	HM-15133A	0106.6	HM-15739A	0106.6
HM-14209A	0105.3	HM-15149A	0109	HM-15787A	0308
	0105.5	HM-15164A	0504	AUC-15UKSJ0800	1800
Z-C142-28	0301	HM-15165A	0504	AUC-15UKSK0800	1800
HM-14236AS	0109	HM-15166A	0504	HM-15824A	0504
AUC-14UKS305	1701	HM-15178C	0503	AUC-15UKS0890	1803.1
AUC-14UKS306	1701	HM-15179B	0503	AUC-15UKS0910	1803.1
AUC-14UV341	1701	HM-15187A	0101	HM-15929B	0104
AUC-14UVA341	1701	HM-15188A	0101	SP-1601-4X	0900
AUC-14UV342	1701	HM-15195B	0109	DR-16083	0603
AUC-14UVA342	1701	TD-15-X-209	1002	LPE-C16-122	0201
AUC-14UKS343	1701	AUC-15DLS0210	1803.1	HM-16143A	0109
AUC-14UKS344	1701	AUC-15UKSF0210	1803.1	AUC-16SA0151	0609.2
AUC-14UKS361	1701	AUC-15DLS0220	1803.1	AUC-16UKSG0160	0306
AUC-14UV3463	1701	AUC-15UKSF0220	1803.1	HM-16185A	0106.6
HM-14405A	0101	AUC-15DLS224	1803.1	DR-16199	0603
AUC-14UKS423	1701	AUC-15DLS225	1803.1	AUC-16UKS206	1808
AUC-14UKS424	1701	AUC-15UKSF226	1803.1	GW-16X207M	2002
AUC-14UKS478	1701	AUC-15UKSF227	1803.1	AUC-16N244	1208
AUC-14UKS552	1701	AUC-15NF229	1803.1	AUC-16S244	0306
AUC-14UKS553	1701	AUC-15UKS229	1803.1		0607
HM-14591A	0105.3	AUC-15UKSF229	1803.1	AUC-16UC244	0607
	0105.5	AUC-15DLS231	1803.1	AUC-16UKS244	0607
HM-14594AS	0105.5	AUC-15QDLS231	1803.1		0609.2
HM-14595A	0105.5	AUC-15UKS233	1803.1	AUC-16V244	0306
HM-14596AS	0105.3	HM-15243A	0106.4		0106.6
HM-14597A	0105.3	AUC-15DLS248	1803.1	AUC-16WA244	0607
HM-14625	0102	AUC-15DLS264	1803.1		0613.1
HM-14626A	0102	AUC-15DLS326	1803.1		0607
HM-14626AS	0102	AUC-15DLS327	1803.1	AUC-16WB244	0613.1
HM-14742AS	0106.6	AUC-15UKS328	1803.1		0607
Z-C148-10	0301	AUC-15UKSF328	1803.1	AUC-16WF244	0607
HM-14867A	0106.6	AUC-15DL354	1803.1	AUC-16WL244	2202
HM-14885A	0503	AUC-15DLS373	1804	AUC-16Y244	0106.6
					0607

PART AND DRAWING NUMBER INDEX (Cont'd)

Part No.	Group	Part No.	Group	Part No.	Group
HM-16261B	0109	AUC-16WB0633	0609.1	HM-17215D	0101
AUC-16RLE0264	0609.1	AUC-16UKS0640	0611	HM-17224C	0101
AUC-16A0265	0601	AUC-16UKSA0640	0611	HM-17246A	0106.2
AUC-16URK0265	0609.1	AUC-16BLU0650	0601	HM-17269D	0106.2
	{ 0306	AUC-16UP0680	0603	HM-17321C	0503
AUC-16B0273	1208	HM-16690BSY	0104	HM-17364BS	0109
	{ 2202	HM-16692A	0104	HM-17365B	0109
AUC-16C0273	1208	HM-16693A	0104	HM-17366B	0109
AUC-16E0273	1208	AUC-16URK0724	0609.1	HM-17367AS	0109
AUC-16URK0274	0609.1	AUC-16K0729	0609.1	HM-17422AS	0106.6
SZ-C-16276	0504	AUC-16L0729	0609.1	HM-17486C	0103
SZ-C-16277	0504	AUC-16M0729	0609.1	HM-17523ES	0106.1
TD-16278	1000	AUC-16N0729	0609.2	HM-17524D	0106.1
AUC-16URK0286	0609.1	AUC-16UP0730	0603	HM-17527E	0102
	{ 1703	AUC-16UU0730	0603	HM-17713AS	0104
AUC-16UKS290	1806	AUC-16UUA0730	0603	HM-17878B	0105.5
AUC-16UKS313	1805	AUC-16URK0759	0609.1	HM-17884A	0106.6
AUC-16UKS319	1805	AUC-16DFL0788	0306	HM-17885CS	0106.6
AUC-16UKS350	0612	AUC-16UV0800	2208.1	HM-17899BS	0106.6
AUC-16UKSF350	0612	AUC-16UV0845	1808	HM-17904C	0503
HM-16356E	0101	HM-16859DS	0504	HM-17905A	0106.2
AUC-16UU362	0609.1	AUC-16FE0880	0603	HM-17909D	1209
AUC-16URK0365	0609.1	AUC-16SCM0880	0603	HM-17917A	0105.5
AUC-16UKS0366	0609.1	AUC-16UU0880	0603	HM-17920BS	0106.6
AUC-16BLU0410	0601	HM-16900D	0103	HM-17921B	1209
HM-16425CS	0106.6	HM-16910B	0504	HM-17946DS	0106.6
AUC-16DUU0440	0612	HM-16911A	0504	HM-17983A	1209
AUC-16UU0440	0612	HM-16913A	0504	HM-17989AS	0101
HM-16452B	0106.1	AUC-16URK0915	0609.1	HM-17992AS	0105.2
HM-16453A	0106.1	AUC-16H944	2208.1	HM-17993AS	0105.3
HM-16454CS	0106.6	AUC-16S944	{ 1401	HM-17994A	1209
AUC-16GE0472	0609.1		{ 2208.1	HM-17997AS	0103
AUC-16H0472	0607	AUC-16V944	1208	HM-17998AS	0504
AUC-16CDL0499	0612	AUC-16UKS0988	0609.1	TD-1807-B-2	1312
HM-16506A	0105.2	AUC-16UKSA0988	0609.1	AUC-18UV0102	2002
HM-16506ASY	0105.2	AUC-16UKS0989	0609.1	AUC-18UV0108	2002
HM-16507C	0109	AUC-16UKSA0992	0609.1	AUC-18UVA0127	2002
HM-16511A	0105.1	DR-16999	0603	AUC-18UVB0127	2002
HM-16524AS	0106.6	HM-17007BS	0105.2	AUC-18UV0136	2002
HM-16538D	0106.1	HM-17030D	0105.5	AUC-18UVA0136	2002
AUC-16T0538	0603	HM-17047D	0108	AUC-18UV0169	2002
AUC-16FE0538	0603	HM-17048D	0108	AUC-18UV0179	2002
AUC-16A0539	0603	HM-17054A	0108	AUC-18UVA0179	2002
AUC-16FE0539	0603	HM-17055A	0108	AUC-18UV0181	2002
HM-16539A	0106.1	HM-17056A	0108	TD-1818-B-2	1004
HM-16543B	0105.3	HM-17059D	0108	AUC-18UV0183	2002
HM-16567D	0105.3	SZ-C-17065	0505	AUC-18UV0184	2002
AUC-16UU0568A	0802.2	HM-17071B	0102	TD-1820-B-2	1102
AUC-16S0569	0802.2	HM-17072B	0102	TD-1821-F-6	1102
AUC-16S0571	0802.2	HM-17073B	0102	AUC-18UVA246	2002
AUC-16RE0572	0802.2	HM-17074B	0102	AUC-18UV0249	2002
AUC-16A0592	0603	HM-17075B	0104	HM-18262A	0109
AUC-16FE0592	0603	HM-17076AS	0104	AUC-18UV0295	2002
AUC-16A0593	0603	HM-17077A	0105.5	TD-1829-F-6	1102
AUC-16FE0593	0603	HM-17080B	0105.5	TD-1829-G-7	1002
AUC-16A0594	0603	HM-17081B	0105.5	AUC-18UV299	2002
AUC-16FE0594	0603	HM-17082A	0105.5	AUC-18UV0315	2002
AUC-16A0595	0603	HM-17105A	0302	AUC-18UV334	2002
AUC-16FE0595	0603	HM-17106A	0504	HM-18354AS	0109
AUC-16T0596	0603	HM-17113C	0104	HM-18359A	0109
AUC-16SCM0603	2208.1	HM-17147AS	0106.6	HM-18361A	0109
AUC-16BLM0620	0602	HM-17182CS	0106.6	HM-18363A	0109
AUC-16WB0631	0609.1	HM-17183E	0106.6	HM-18364A	0109
AUC-16WB0632	0609.1	HM-17185C	0106.6	AUC-18UV0388	2002
AUC-16WC0632	0609.1	HM-17214D	0101	HM-18421A	0103

PART AND DRAWING NUMBER INDEX (Cont'd)

Part No.	Group	Part No.	Group	Part No.	Group
TD-1845-A-1	1202	AUC-19FK0434	0802.1	AUC-2UU01023	0308
TD-1846-B-2	0804	AUC-19SKA0434	0802.3	AUC-2T01027	0308
TD-1850-A-1	1001	AUC-19SKA0435	0802.4	AUC-2T01031	0308
	1002	AUC-19FK0436	0804	HA-21035	0308
TD-1850-D-4	1102	AUC-19FK0437	0804	AUC-2T01035	0308
AUC-18UV0530	2002	AUC-19SKA0438	0804	AUC-2T01036	0308
TD-1859-B-2	1202	AUC-19SKB0438	0804	AUC-2T01038	0308
AUC-18UV0613	2002	AUC-19UUA0440	0800	AUC-2T01042	0308
AUC-18UV0641	2002	AUC-19FK0442	0802.3	AUC-2T01048	0308
AUC-18UV0653	2002	AUC-19SKB0463	0804	AUC-2T01049	0308
AUC-18UVA0653	2002	AUC-19FK0468	0801	Z-C21-105	0301
AUC-18UV0654	2002	AUC-19FKB0468	0801	RG-021120	1401
AUC-18UV0655	2002	AUC-19FK0469	0801	RG-021133	1401
AUC-18UV0656	2002	AUC-19FK0471	0801	RG-021134	1401
HM-19011A	0106.6	AUC-19UU479	0800	AUC-2UU01190	0106.2
HM-19017A	0106.1	AUC-19FK0587	0801	AUC-2UU01200A	0100
HM-19019A	0106.1	AUC-19FK0512	0801	AUC-2UU01200B	0100
HM-19028B	0106.1	AUC-19FK0513	0802.1	AUC-2UU01209	0504
HM-19053A	0109	AUC-19FK0581	0801	AUC-2UU01213	0106.4
AUC-19UU0130	0804	AUC-19FKA0581	0801	AUC-2BL01217	0302
AUC-19FK0185	0801	AUC-19FKB0581	0801	AUC-2BL01218	0105.3
AUC-19FKA0185	0801	AUC-19FK0590	0801		0105.5
AUC-19FK0188	0804	AUC-19UG0622	0804	AUC-2UU01225	0102
AUC-19SK0189	0804	AUC-19UG0623	0804	AUC-2UUA01225	0102
AUC-19FK0191	0804	AUC-19UG0624	0804	AUC-2UU01268	0103
AUC-19FK0205	0804	AUC-19UG0625	0804	AUC-2UU01327	0106.6
AUC-19FK0206	0802.1	AUC-19UG0626	0804	AUC-2UU01335	0106.2
AUC-19FK0207	0801	AUC-19UG0628	0804	AUC-2UU01338	0101
AUC-19FK0208	0801	AUC-19FK0636	0802.2	AUC-2UU01339	0101
AUC-19FKA0208	0801		0802.3	AUC-2UU01342	0102
AUC-19FK0211	0801	AUC-19FK0637	0802.2	AUC-2UU01343	0102
AUC-19DKA0212	1006		0802.3	AUC-2UU01345	0106.6
AUC-19FK0212	0801	AUC-19FK0643	0801	AUC-2Y1345	0701
AUC-19SKB0214	0801	AUC-19FK0644	0802.2	AUC-2UU01346	0106.6
AUC-19FK0215	0802.2		0802.3	AUC-2UU01352	0101
AUC-19FK0216	0801	AUC-19FK0645	0802.4	AUC-2UU01353	0101
AUC-19FK0218	0802.3	AUC-19FK0646	0804	AUC-2UU01356	0101
AUC-19FKA0218	0802.3	AUC-19FK0647	0802.1		0102
AUC-19FK0219	0802.2		0802.3	AUC-2UU01359	0101
AUC-19FK0221	0802.1	AUC-19FKA0647	0802.4	AUC-2UU01361	0601
AUC-19FKA0221	0802.1	AUC-19UU0651	0802.1		0302
AUC-19FK0222	0802.2	AUC-19UU0652	0802.4	AUC-2UU01362	0102
AUC-19FK0223	0802.1	AUC-19UU0694	0800	AUC-2UU01363	0102
AUC-19FKA0223	0802.2	AUC-19UU0695	0800	AUC-2UU01365	0104
	0802.3	AUC-19A0699	0801	AUC-2UU01365A	0104
AUC-19FK0225	0802.1	AUC-19A0701	0801	AUC-2UU01366	0106.6
AUC-19FKA0225	0802.2	AUC-19UU0705	0800	AUC-2UU01367	0105.2
AUC-19SKA291	0800	HM-19763A	0108	AUC-2UU01368	0105.2
AUC-19FK0356	0802.1	HM-19764A	0108	AUC-2UU01368S	0105.2
AUC-19FKA0358	0802.3	HM-19772A	0105.1	AUC-2UU01369	0105.2
AUC-19FK0358	0802.2	AUC-19FK0820	0801	AUC-2UU01371	0105.2
AUC-19FK0361	0802.1	AL-IGS-2020-1	0604.1	AUC-2UU01373	0105.2
AUC-19FK0362	0802.1	HM-20230C	0108		0504
	0802.4	AUC-2UU01001	0105.1	AUC-2UU01375	0105.2
AUC-19UU0386	0801	AUC-2UUA01001	0105.1	AUC-2UU01380	0101
AUC-19UV0408	2002	AUC-2UUB01001	0105.1	AUC-2UU01381	0105.5
AUC-19UU419	0804	AUC-2UUC01001	0105.1	AUC-2UU01382	0104
AUC-19FK0421	0802.1	HM-21011A	0105.1	AUC-2UU01383	0104
AUC-19SKA0422	0802.3	AUC-2T01013	0308	AUC-2UU01389	0104
AUC-19FK0426	0801	AUC-2T01014	0308	AUC-2UU01390	0100
AUC-19SKA0427	0802.4	AUC-2T01015	0308	AUC-2UU01390A	0100
AUC-19FK0431	0801	AUC-2UU01015	0308	AUC-2UU01391	0106.1
AUC-19FK0432	0801	AUC-2T01016	0308	AUC-2UU01395	0106.1
AUC-19FKA0432	0801	AUC-2T01017	0308	AUC-2UU01398	0308
AUC-19SKA0433	0801	AUC-2T01022	0308	AUC-2UU01401	0308

PART AND DRAWING NUMBER INDEX (Cont'd)

Part No.	Group	Part No.	Group	Part No.	Group
AUC-2UU01402	0106.6	AUC-2UU01528	0308	AUC-25UU0417	1209
AUC-2UU01403	0106.1	AUC-2UU01590	0100	AUC-25UU0427	{ 1208
AUC-2UU01404	0106.6	AUC-2UUA01590	0100		{ 1211
AUC-2UU01405	0106.6	AUC-2UU01663	0109	AUC-25UU0439	1209
AUC-2UU01406	0106.6	RG-022023	1401	AUC-25UUA0439	1209
AUC-2UU01407	0106.6	AHR-AW-2214-8	1401	AUC-25UU0451S	1208.2
AUC-2UU01408	0102	HM-22158A	0302	AUC-25UV0452S	1208.2
AUC-2UU01411	0103	HM-22564A	{ 0106.5	AUC-25UU0453	{ 1208
AUC-2UU01414	0308		{ 0302		{ 1211
AUC-2UU01415	0308	GW-22Y610	2001	AUC-25UUA0453	1211
AUC-2UU01416	0106.6	GW-22Y6204R	2001	AUC-25UU0454	1211
AUC-2UU01416S	0106.6	AUC-2T2659	2002	AUC-25UUA0454	1208
AUC-2UU01419	0308	AUC-2SA2832	0704	AUC-25UU0455	{ 1208
AUC-2UU01421	0106.6	AUC-2UUA2946	0106.6		{ 1211
AUC-2UU01424	0106.6	AUC-2T2946A	0106.6	AUC-25UU0457	1209
AUC-2UU01427	0108	DSF-2-FWU-3015	1506	AUC-25UU0458	1209
DR-21428	0603	SKF-NJ-2306/C3	0702.2	AUC-25UUA0458	1209
AUC-2UU01428	0108	AUC-2UUB3110	0106.6	AUC-25UU0459	1209
AUC-2UU01429	0108	Z-C23-314	0301	AUC-25UU0461	1209
AUC-2UUA01430	0109	AUC-2UU3680	0106.6	AUC-25UUA0461	1209
AUC-2UU01433	0308	AUC-2UU3680A	0106.6	AUC-25UU0462S	1209
AUC-2UU01436	0108	Z-C24-10x8	0301	AUC-25UUA0462S	1209
AUC-2UU01437	0308	Z-C24-10Gx8	0301	AUC-25UU0463	1209
AUC-2UU01438	0308	Z-C24-10BBx8	0301	AUC-25UU0464	1209
AUC-2UU01439	0308	AUC-2NJ4132	0100	AUC-25UU0465	1209
AUC-2UU01440	0308	AUC-2UU4152	0100	AUC-25UU0466	1209
AUC-2UU01441	0308	AUC-24CP329	1211	AUC-25HC510	1209
AUC-2UU01443	0308	AUC-24CQ329	1211	AUC-25UU0630S	1208.5
AUC-2UU01445	0308	AUC-24CR329	1211	AUC-25UUA0630S	1208.5
AUC-2UU01448	0109	AUC-24CS329	1211	AUC-25UU0640S	1208.1
AUC-2UU01450	0308	DR-24754	0603	AUC-2UU5650	0308
AUC-2UU01451	0308	RG-025056	1401	AUC-2UU5727	0106.2
AUC-2UU01452	0308	AUC-25NT0130S	1208.9	Z-C25-82X5	0301
AUC-2UU01453	0308	AUC-25G0145	1208	AUC-25UU0873	1209
AUC-2UU01454	0308	AUC-25UU0146S	1208.4	AUC-25ZGEW0874	1202
AUC-2UU01456	0308	AUC-25UU0148	1209	AUC-25UU0878	1209
AUC-2UU01457	0308	AUC-25C0187	1208.7	AUC-25UU0879	1209
AUC-2UU01458	0308	AUC-25UU0187S	1208.7	AUC-25AM0881	1202
AUC-2UU01459	0308	AUC-25N0195	1211	AUC-25AN0881	1202
AUC-2UU01461	0308	AUC-25UU0219	1209	AUC-25AP0881	1202
AUC-2UU01466	0308	AUC-25UUA0219	1209	AUC-25AQ0881	1202
AUC-2UU01471	0104	AUC-25UU0219A	1209	AUC-25UU0884	1209
AUC-2UU01473	0104	AUC-25UU0226S	1208.7	AUC-25UU0885	1209
AUC-2UVA01475	0101	AUC-25G231	1208.8	AUC-25UUA0885	1209
AUC-2UVA01476	0101	AUC-25E235	1208	AUC-25UU0888	1209
AUC-2B01477AS	0102	AUC-25G241	1209	AUC-25UU0889	1209
AUC-2B01479AS	0102	AUC-25C256	1211	AUC-25UU0891	1209
AUC-2B01481AS	0102	AUC-25D256	1211	AUC-25UU0892	1209
AUC-2UU01483	0104	AUC-25E256	1211	AUC-25UU0893	1208.1
AUC-2UU01488	0103	AUC-25A257	1211	AUC-25UU0894	1208.3
AUC-2UU01491	0106.6	AUC-25C259A	1211	AUC-25UU0895	1208.3
AUC-2UUA01491	0106.6	AUC-25G261	1208.6	AUC-25UU0897	1209
AUC-2UU01491A	0106.6	AUC-25UU0299	1209	AUC-25A944	1208
AUC-2UU01498	0105.3	AUC-25UKS332	0607	AUC-25D944	1208
AUC-2UU01499	0105.3	AUC-25B0350	1211	AUC-25G944	1208
AUC-2UU01501	0106.1	AUC-25C0350	1211	AUC-25B945	1208
AUC-2UU01501A	0106.1	AUC-25G350B	1208.3	AUC-25C945	1208
AUC-2UU01502	0106.2	AUC-25L371	1208	AUC-25D945	1208
AUC-2UU01504	0108	AUC-25G0375	1209	AUC-25G945	{ 0106.5
AUC-2UU01504A	0108	AUC-25T0380S	1208.1		{ 1208
AUC-2UU01505	0100	AUC-25GQ403	1209	AUC-25H945	1208
AUC-2UU01505S	0100	AUC-25HCA410	1209	DSF-2-FWU-6765	1506
AUC-2UU01506	0308	AUC-25GC410	1209	DSF-2-FWU-6766B	1506
AUC-2UU01514	0106.6	AUC-25A0416	1209	AUC-27UV308	2001
AUC-2UU01514A	0106.6			AUC-27UV309	2001

PART AND DRAWING NUMBER INDEX (Cont'd)

Part No.	Group	Part No.	Group	Part No.	Group
AUC-27UVA309	2001	AUC-27UU0726A	1506	AUC-3ET01750	0802.1
AUC-27UU0556	2001	AUC-27UU0727	1506	RG-032078	1401
AUC-27UV0573	2001	AUC-27UU0728	1506	AUC-32UVA0500	1809
AUC-27UV0574	2001	AUC-27UU0729	1506	AUC-32UVB0500	1809
AUC-27UV0583	2001	AUC-27UU0731	1506	AUC-3TF2101	0702.3
AUC-27UV0594	2001	AUC-27UU0732	1506	AUC-3DF2103	{ 0702.1 0702.3
AUC-27UV0595	2001	AUC-27UU0733	1506	AUC-3L2103	0700
AUC-27UV0596	2001	AUC-27UU0734	1506	AUC-3S2106	0702.2
AUC-27UV0597	2001	AUC-27UU0736	1506	AUC-3UN2119B	0200
AUC-27UV0598	2001	AUC-27UU0737	1506	AUC-3A2145A	0202
AUC-27UV0599	2001	AUC-27UU0738	1506	AUC-3TF2146	0702.2
AUC-27UV0601	2001	AUC-27UU0739	1506	AUC-3TF2147	0702.2
AUC-27UV0602	2001	AUC-27UU0741	1506	AUC-3DF2152	0704
AUC-27UV0603	2001	AUC-27UU0742	1506	AUC-3D2156	0702.3
AUC-27UV0604	2001	AUC-27UU0743	1506	AUC-3T2156	0702.3
AUC-27UV0605	2001	AUC-27UU0744	1506	AUC-3T2156A	0702.3
AUC-27UV0606	2001	AUC-27UU0745	1506	AUC-3BM2169A	0202
AUC-27UV0607	2001	AUC-27UU0746	1506	AUC-3DF2191	0704
AUC-27UV0608	2001	AUC-27UU0748	1506	AUC-3Y2197	0202
AUC-27UV0609	2001	AUC-27A0751	1506	AUC-32WA212	0609.2
AUC-27UV0611	2001	AUC-27UU0751	1506	AUC-3Y2222A	0900
AUC-27UV0612	2001	AUC-27A0752	1506	AUC-3TF2224A	0704
AUC-27UV0613	2001	AUC-27UU0752	1506	AUC-3TF2247	0702.3
AUC-27UV0614	2001	AUC-27A0753	1506	AUC-3UU2315	0202
AUC-27UV0615	2001	AUC-27UU0753	1506	AUC-3D2332	0701
AUC-27UV0616	2001	RG-028017	1401	AUC-3DF2332	0701
AUC-27UV0618	2001	TD-2808-C-3	1102	AUC-3UU2345	0704
AUC-27UV0619	2001	TD-2808-D-4	1102	AUC-3D2355	0701
AUC-27UV0621	2001	TD-2814-B-2	1102	AUC-3TF2469	0200
AUC-27UV0622	2001	TD-2817-A-1	1202	AUC-3A2629	0704
AUC-27UV0623	2001	AUC-28UV201	1604	AUC-3DF2629	0704
AUC-27UV0624	2001	AUC-28UUA201A	1604	AUC-3TF2629	0704
AUC-27UV0625	2001	AUC-28UU302	1604	AUC-3S2707A	1201
AUC-27UV0626	2001	AUC-28UU303	1604	AUC-3B2914	0702.3
AUC-27UV0627	2001	Z-CR28-33x5	0301	AUC-3D2914	0702.3
AUC-27UV0628	2001	AUC-28UVA350	1604	AUC-3TF2916	0702.3
AUC-27UV0629	2001	AUC-28UVA360L	1604	AUC-3D2917	0702.3
AUC-27UV0631	2001	AUC-28UVA360R	1604	AUC-3DF2925	0704
AUC-27UV0632	2001	TD-2840-H-8	1202	AUC-3DF2927	0704
AUC-27UV0633	2001	AUC-28UV410	1604	AUC-3DF2928	0704
AUC-27UV0634	2001	AUC-28UV420	1604	AUC-3TF2951A	0702.2
AUC-27UV0635	2001	AUC-28UU430	1604	AUC-3TF2952	0702.3
AUC-27UV0636	2001	AUC-28UU440	1604	AUC-3TF2954A	0702.3
AUC-27UV0637	2001	TD-2858-A-1	0804	AUC-3TF2955	0702.2
AUC-27UV0638	2001	RG-029031	0611	AUC-3TF2955A	0702.2
AUC-27UV0639	2001	RG-029036	0611	AUC-3TF2956A	0702.2
AUC-27UV0641	{ 2001 2002	RG-029037	0611	AUC-3S2959	0702.2
AUC-27UV0642	2001	Z-C29-329	0301	RG-033059	1401
AUC-27UV0643	2001	Z-C29-395	0301	RG-033060	1401
AUC-27UV0644	2001	TD-R-3100-W-X-3	1100	RG-033061	1401
AUC-27UV0645	2001	AUC-3UU01004	0202	RG-033078	0611
AUC-27UV0646	2001	TD-F-3100-W-X-7	1000	AUC-3TF3112A	0702.1
AUC-27UV0647	2001	AUC-3A01111	0701	AUC-3B3125	0202
AUC-27UV0647	2001	AUC-3UU01168	0700	AUC-3UU3154	0701
AUC-27UV0648	2001	AUC-3UU02271	0900	AUC-3B3158	2002
AUC-27UV0649	2001	AUC-3UU01173	0900	AUC-3TF3162A	0702.1
AUC-27UV0651	2001	AUC-3Y1173	0704	AUC-3TF3179A	0702.2
AUC-27UV0652	2001	AUC-3UU01174	0702.2	AUC-3UU3189	0704
AUC-27UV0680	2001	AUC-3TF01410A	0702.2	AUC-3UNF3189	0704
AUC-27UVE0700	1506	AUC-3TF01420A	0702-3	AUC-3DF3196	0702.2
AUC-27UVF0700	1506	AUC-3UU01730	0201	AUC-3DF3196B	0702.2
AUC-27UU0722	1506	AUC-3DL01750	1000	AUC-3CA3201	0700
AUC-27UU0723	1506	AUC-3DN01750	0802.4	AUC-3DL3201	1000
AUC-27UU0724	1506	AUC-3EP01750	1100	AUC-3DM3201	0802.4
AUC-27UU0725	1506	AUC-3ES01750	0802.3		

PART AND DRAWING NUMBER INDEX (Cont'd)

Part No.	Group	Part No.	Group	Part No.	Group
AUC-3EP3201	1100	AUC-4GKW01074	1002	BW-B-45520	1311
AUC-3ES3201	0802.3	AUC-4GLW01074	1002	AL-IGC-4701-1	0604.1
AUC-3ET3201	0802.1	AUC-4GMW01074	1002	SP-K4-70-49	0900
AUC-33UKSF264	1804	AUC-4UC01074	1102	SP-K4-76-17	0900
AUC-33UKSF265	1804	AUC-4ZGE01074	1102	TIM-49520	0802.2
AUC-33UKSF267	1804	AUC-4ZGEW01074	1102		0802.3
DR-33345	0603	AUC-4GKW01075	1002	TIM-49585	0802.2
AUC-3TF3347A	0702.2	AUC-4ZGE01075	1102		0802.3
AUC-3TF3352A	0702.1	AUC-4BLB01076	1002	AUC-4GKW9970	1100
AUC-33UKSF368	1804	AUC-4GKW01076	1102	AUC-4GKW9970F	1100
AUC-33UKSF378	1804	AUC-4GKWA01076	1002	RG-051036	0611
AUC-3UU3414	0702.2	AUC-4ZGEW01077	1102	Z-C51-3-25	0301
AUC-33UKSF477	1804	AUC-4NFG01078	1311	SP-K5-15-23	0900
AUC-33UKSF480	1804	AUC-4NFG01084	1002	SP-K5-16-23	0900
ORD-D33622	1503		1102	SP-5-1-891	1100
AUC-3UU3863	0702.3	AUC-4NFG01089	1002	AUC-5C2169	0501
AUC-3TF3948A	0702.2	AUC-4UV01092	1102	SP-K5-2-249	0900
	0702.3	AUC-4UU01096	1102	AUC-5UUA2262A	0505
AUC-3TF3949A	0702.3	AUC-4GKW01141	1202	SP-K5-2-279	0900
AUC-3TF3976A	0702.3	AUC-4NK01141	1002	Z-C52-3-32	0301
AUC-3TF3977A	0702.3	AUC-4SK01154	1002	AUC-5UKS2374	0501
WH-3400X4	0306	AUC-4GKW01156	1002	TIM-52400	1311
AUC-3TF4102A	0702.2	AUC-4GEW01160	1002	DSF-SD-5240-S1	1506
AUC-3DF4188	0704		1102	Z-C52-4-32	0301
AUC-3DF4346	0704	AUC-4BLA01178	1102	AUC-5UKS2582	0501
AUC-3DF4346A	0704	AUC-4GKW01178	1002	TIM-52637	1311
AUC-3UU4353	0701	AUC-4GTC01178	1002	AUC-5UU3104	0501
AUC-3TA4381	1201	AUC-4GKW01253	1002	AUC-5UUA3104	0501
DR-34846	0603	AUC-4GKW01275	1102	SP-K5-3-108	0900
AUC-3DF4971	0704	AUC-4GKW01321	1202	AUC-5UU3158A	0503
DR-35048	0603	AUC-4NFG01344	0802.1	TIM-53176	1004
DR-35058	0603		0802.3	AUC-5C3300	0501
DR-35074	0603	AUC-4UG01353	1202	TIM-53387	1004
AUC-3UU5343	0200	AUC-4GKW01379	1202	AUC-5UKS3575	0502
DR-35586	0603	AUC-4GKW01381	1102	AUC-5UKS3690	1804
HM-35703D	1209	AUC-4GKW01396	1000	AUC-5UKS3700	1804
DR-35729	0603	AUC-4GKWA01396	1100	AUC-5UKS3710	1804
Z-F360X7-2	0309	AUC-4UU01398	1100	Z-C54-1-16	0301
DR-36497	0603	AUC-4UU01399S	1102	AUC-5UU4120	0505
AUC-3UU6530	0700	AUC-4UU01402	1002	AUC-5UU4271	0503
DR-36799	0603		1102	AUC-5UU4443	0503
DR-37872	0603	AUC-4UU01404	1201	AUC-5UU4553A	1501
DR-37895	0603	AUC-4UU01405	1100	ORD-C55100	1503
DR-38274	0603	SP-4-14-19	0900	SP-K5-70-49	0900
DR-38275	0603	AUC-4A01420	1102	SP-K5-76-17	0900
DR-38276	0603	SP-4-15-43	0900	DSF-HBF-58212S	1506
DR-38290	0603	AUC-4A01600	0806.5	SP-K5-86-79	0900
DR-38296	0603		1005.5	TIM-59200	1002
DSF-HB-38334S	1506	AUC-4AA01600	1105.5	TIM-59412	1002
TD-3878-C-3	1002	SP-K4-16-83	0900	VG-60656	2001
	1102	AUC-4UF1826	0802.3	AUC-6UU01015	0302
TD-3885-A-1	1001	AUC-4H2137	1102	AUC-6A01018	0301
AUC-3DF9196A	0702.2	AUC-4Y2137	1102	AUC-6A01019	0301
AUC-3E9222	0900	AUC-4SA2139	1004	AUC-6A01021	0301
TD-3944-H-8	1401	AUC-4CGA2209	1002	AUC-6A01022	0301
AUC-4ZGEW01055A	1102		1102	AUC-6A01023	0301
AUC-4ZGEW01056	1102	AUC-4Y2211	1102	AUC-6A01025	0301
AUC-4ZGEW01057	1102	AUC-4CGA2211	1002	AUC-6W01038A	0302
AUC-4ZGEW01058	1102		1102	AUC-6UU01073	0304
AUC-4ZGEW01049	1102	SP-K4-2-309	0900	AUC-6W01079	0302
AUC-4GTC01065	1102	AUC-4TF2751	1002	AUC-6UUA01082	0302
AUC-4GTC01066	1102	AUC-4A3489	1311	AUC-6W01083	0302
AUC-4GTC01067	1102	AUC-4SD3489A	1311	AUC-6W01085	0302
AUC-4ZGE01073	1102	AUC-4A3491	1311	AUC-6W01094	0302
AUC-4ZGEW01073	1102	AUC-4SD3491A	1311	AUC-6W01105	0302

PART AND DRAWING NUMBER INDEX (Cont'd)

Part No.	Group	Part No.	Group	Part No.	Group
GW-6Y1255A	2001	GW-7Y1642	2002	SZ-C-101449S	0504
GW-6Y1295	2001	GW-7Y1643	2002	SZ-C-101450	0504
AUC-6CK1317	1206	GW-7Y1646	2002	AUC-10UU01490	0312
GW-6Y1911	2001	GW-7Y1660	2002	AUC-10RJ01790	1401
GW-6Y1931A	2001	GW-7Y1661	2002	AUC-10D2126	1201
AUC-6UU2317	0306	GW-7Y1662	2002	AUC-10UU2126	1201
AUC-6ZB2317	0306	TIM-71750	1311	AUC-10UG2135	0804
AUC-6UUA2317	0306	SW-72030	0306	AUC-10S2147	0202
AUC-6N2375A	0301	TRI-75072-ZE	2202		1206
AUC-6N2375B	0301	RG-T75104	1401	AUC-10UU2198	0312
AUC-6A2594	0306	RG-T75165	1401	AUC-10D2243	1201
AUC-6F2731	0304	TRI-76115-ZE	2202	AUC-10D2249	0701
AUC-6W2754	2208.1	TRI-L-778-30-ZE	2202	AUC-10A2264	1401
	2208.2	TRI-L-778-31-ZE	2202	AUC-10D2286A	1201
AUC-6UU3309A	0301	SW-78744	0802.2	AUC-10FE2292	1206
AUC-6QT3401	0304	HM-80164A	0102	AUC-10UN2292	0202
AUC-6UKS3410B	0304	HM-80165A	0102	AUC-10C2303	0306
AUC-6UKSB3686B	0304	HM-80166A	0102		1208
AUC-6D3750	0306	HM-80167A	0102	AUC-10D2303	1208
AUC-6UUA3913	0301	HM-80168A	0102	AUC-10F2303	1208
AUC-6UVF3943	0306	HM-80169A	0102	AUC-10UV2303	0607
AUC-6UVG3943	0306	HM-80172A	0102	AUC-10UVA2336	0312
AUC-6UVA3943	0306	HM-80634A	0103	AUC-10UV2336	0312
AUC-6UKSF4160	0306	HM-80771A	0503	AUC-10UVB2336	0312
AUC-6UKS4330	0304	Z-T8S10-15	0301	AUC-10UB2338	0312
AUC-6UKSA4330B	0304	Z-C81-3-55	0301	AUC-10D2339	0704
AUC-6UUA4510	0302	AL-8X-1420	0601	AUC-10UU2361	0312
AUC-6UU4510A	0302	AL-8X-1452	0603	AUC-10UU2391	0704
AUC-6U4593B	0306	AUC-8UBA2308	0605		0704
AUC-6UU4640A	0306	AUC-8T2309	0605	AUC-10T2308	0804
AUC-6UKSA4686	0304		0609.1		2002
AUC-6UKS4686	0304	AUC-8T2309A	0605	AUC-10UU2409	0704
AUC-6UU4913	0301	AUC-8UKS2506	0605		0609.1
AUC-6UU4913A	0301	AUC-8UKS2508	0604.1	AUC-10SA2459	0609.2
AUC-6UKS4921	0306	AUC-8UU3308	0605		2202
TIM-65225	1002	AUC-8UUA3308	0605	AUC-10QFA2572	1401
TIM-65500	1002	AUC-8UU3470	0604.1	AUC-10UU2657	1401
RG-066994	1401	AUC-8UU3470A	0604.1	AUC-10UB2729	0312
ORD-C67237	1503	AUC-9CJ4403	1311	AUC-10D2988	1206
AUC-6UN9595	0306	HY-94526	2002	AUC-10A2989	0312
AUC-6UVE9943	0306	HY-94536	2002	AUC-10UTE2989	0607
RG-070001	1401	SP-98-741	0900	AUC-10UU2996	1201
RG-070002	1401	SP-98-781	0900	AUC-10UUA2996	1201
RG-070011	1401	SP-98-798	0900	AUC-10S2997	1201
GW-7Y1003	2002	AUC-9GKW9430	1000	AUC-10QCF3175A	1401
GW-7Y1004	2002	AUC-10CDKL01094	1401	AUC-10UU3194	0312
GW-7Y1022	2002	AUC-10CDKL01094A	1401	AUC-10UU3231	1401
GW-7Y1027	2002	AUC-10RJ01095	1401	AUC-10UV3231	1401
GW-7Y1029	2002	AUC-10SJ01097	1401	AUC-10UU3232	1401
GW-7Y1032	2002	SZ-C-101122	0504	AUC-10UV3232	1401
GW-7Y1034	2002	AUC-10CD01143	1401	AUC-10UU3336	0312
GW-7Y1036	2002	AUC-10CDA01145	1401	AUC-10UB3336B	0312
	2001	AUC-10CDB01145	1401	AUC-10UGA3507	2002
GW-7Y1037	2002	AUC-10URLB01145	0611	AUC-10UU3507	0804
GW-7Y1039	2002	AUC-10R1148	0202	AUC-10UUA3507	0804
GW-7Y1040	2002	AUC-10HDR01178	1401	AUC-10UUB3507	0804
GW-7Y1042	2002	AUC-10RJ01200	1401	AUC-10D3545	1201
GW-7Y1043	2002	AUC-10UK01252	0611	AUC-10UV3747	1201
TIM-71450	1311	AUC-10SJ01259	0611	AUC-10UKS3750	0312
GW-7Y1513	2002	AUC-10Y1264	1401	AUC-10ZUKS3750	0312
GW-7Y1566	2002	AUC-10UU01304	1401	AUC-10S3912	1201
GW-7Y1600	2002	AUC-10DA01320	1401	SZ-C-103940	0504
GW-7Y1601	2002	AUC-10UU01322	0611	AUC-10UU4630	0312
GW-7Y1602	2002	AUC-10B01341	1401	AUC-10UU4630A	0312
GW-7Y1603	2002				

PART AND DRAWING NUMBER INDEX (Cont'd)

Part No.	Group	Part No.	Group	Part No.	Group
SZ-C-104960	0504	AUC-12UUA3121	2101	AUC-13TE2116	1601
AUC-10S4995A	1201	AUC-12UVA3121	2101	AUC-13QTE2116	1601
Z-C105-130	0301	AUC-12UVB3121	2101	DR-132123	0603
AUC-10UU5132	0804	AUC-12UU3121A	1501	AUC-13DF2126	1601
AUC-10UU5138	0202	AUC-12UUA3122	2101	AUC-13H2126	1601
AUC-10UU5177A	1401	AUC-12UU3122A	1501	AUC-13TE2129	1601
AUC-10UU5210	1401	AUC-12H3128	1503	AUC-13UV2260	1601
AUC-10A5210A	1401	AUC-12H3129	1503	AUC-13UV3154	1602
AUC-10UU5210B	1401	AUC-12HF3164	0800	AUC-13UV4111	1601
AUC-10UU5882	0202	GW-12Y3228	2001	AUC-13UV4113	1601
SW-105946	0802.2	GW-12Y3318	2001	AUC-13UV4114	1601
SW-105947	0802.2	AUC-12UU3399	0100	AUC-13UV4156	1602
SZ-C-106356	0504	AUC-12UU3399A	0100	ORD-A135441	1503
SZ-C-106357	0504	AUC-12NJ3401	0100	ORD-A135835	1503
DR-106497	0603	AUC-12UU3401	0100	TD-A1-3822-E-5	1202
SZ-C-106649	0504	AUC-12HF3496	1503	TD-A1-3822-F-6	1202
AUC-10S7990	1201	AUC-12UKS3560	2101	AUC-13B9107	1601
SZ-C-110377	0505	AUC-12UU3797	1503	AUC-13TE9107	1601
TD-1107-C-29	1312	AUC-12UU3798	1503	AUC-14UKSJ2138	1701
SZ-A-110934	0505	AUC-12UU3799	1503	AUC-14UN2189	0612 1701
SZ-B-111546	0505	AUC-12UU3802	1503	AUC-14UD2189A	1805
SZ-C-111569	0504	AUC-12W4128	1503	AUC-14UKS3140	1701
SZ-C-111570	0504	AUC-12W4129	1503	AUC-14UKS3150	1701
SZ-C-111844	0505	AUC-12UKS4140	2101	AUC-14UKS3186	1701
SZ-C-112303	0504	AUC-12UU4201	0800	AUC-14UV3211	1701
DSF-SP-112512	1506	GW-12Y4206	2001	AUC-14UV3212	1701
SZ-C-112601	0505	GW-12Y4213	2001	AUC-14UV3250	1701
ORD-112715	1001	GW-12Y4214	2001	AUC-14UKS3330	1701
SZ-C-113013	0505	GW-12Y4216	2001	AUC-14UV2439	1701
BWE-113782	1209	GW-12Y4223	2001	AUC-14UV4461	1701
SZ-A-113811	0504	GW-12Y4225	2001	AUC-14UV4462	1701
SZ-L-113812	0504	GW-12Y4234	2001	AUC-15QDLS2145	1803.1
SZ-A-113813	0504	GW-12Y4242	2001	AUC-15DLS2146	1803.1
SZ-B-113814	0504	GW-12Y4249	2001	AUC-15DLS2147	1803.1
SZ-B-113815	0504	GW-12Y4307	2001	AUC-15RL2152	1806
SZ-C-113816	0504	GW-12Y4312	2001	AUC-15RL2153	1806
SZ-C-113817	0504	AUC-12UUA4360	1501	AUC-15UKS2182	1803.1
SZ-C-113818	0504	AUC-12UU4360A	0800	AUC-15NF2182	1803.1
SZ-C-113883	0505	TD-1246-B-28	1102	AUC-15DLS2205	1803.1
SZ-114002	0505	AUC-12UKS4657	2101	AUC-15UKS2239	1804
SZ-114274	0505	TD-1246-H-60	1202	AUC-15UKS2241	1804
SZ-C-115316	0505	AUC-12AL4701	2101	AUC-15UKS2243	1804
SZ-C-115396	0505	AUC-12AR4701	2101	AUC-15UKS2244	1804
SZ-C-115397	0505	AUC-12UU4795	1503	AUC-15T2274	1801
DR-120614	0603	AUC-12UU4796	1503	AUC-15T2274A	1801
AL-12X-1014	0602	GW-12Y5356	2001	AUC-15T2293	1804
GW-12Y1531	2001	GW-12Y5361	2001	AUC-15T2294	1804
AC-121839	0302	GW-12Y5371	2001	AUC-15DL2295	1804
ORD-121906	0309	AUC-12UKSD5657	2101	AUC-15QDL2295	1804
AUC-12UU2402	0100	TD-1259-B-28	1202	AUC-15NF2346	1803.1
AUC-12NJ2403	0100	GW-12Y6206	2001	AUC-15UKS2346	1803.1
AUC-12UU2403	0100	GW-12Y6208	2001	AUC-15DLS2356	1800
AUC-12P2492A	0306	GW-12Y6224	2001	AUC-15UKSF2363	2201
GW-12Y2533	2001	GW-12Y6226	2001	AUC-15URK2395	1804
GW-12Y2538	2001	GW-12Y6229	2001	AUC-15UKS2411	1806
GW-12Y2556	2001	GW-12Y6236	2001	AUC-15SA2415	1806
AUC-12B2571	0100	GW-12Y7307	2001	AUC-15UKSF2455	1804
AUC-12UU2702	1503	ORD-127951	0309	AUC-15UKSF02480	1800
AUC-12UU2719	0100	AUC-12M9108	1208	AUC-15QUKS2551	1804
AUC-12UU2804	1503	AUC-12UUB9108	0605	AUC-15UKS2551	1804
TD-1229-V-48	1311	AUC-12UU9206	1501	AUC-15QUKS2612	1804
AUC-12UT3108	1503	AUC-12UUA9206	1501	AUC-15UKS2612	1804
AUC-12W3108	1503	AUC-13TE2101	1601	AUC-15UKS2662	1806
AUC-12ZDA3108	1208	AUC-13UU2103	1601	AUC-15UKS2663	1806
AUC-12ZUN3108	0804	AUC-13UVA2103	1601		

PART AND DRAWING NUMBER INDEX (Cont'd)

Part No.	Group	Part No.	Group	Part No.	Group
AUC-15UKSFA2663	1806	AUC-16SA2499	0612	AUC-16HM02864	0603
AUC-15UKS2837	1800	AUC-16UKSA2562	1805	AUC-16HM02865	0603
AUC-15UKS2930	1803.1	AUC-16UU2565	0106.6	AUC-16UU02865	0603
AUC-15UU03064	1804	AUC-16UUA2565	0106.6	AUC-16HM02866	0603
AUC-15UKSA3190	1806	AUC-16UU2568	0702.2	AUC-16UUJ2866	0603
AUC-15UKSF3244	1804	AUC-16UKS2616	0106.6	AUC-16HM02867	0603
AUC-15UKSFA3244	1804	AUC-16UKSA2616	0106.6	AUC-16HM02868	0603
AUC-15UKS3358	1806	AUC-16A02622	0603	AUC-16UU02868	0603
AUC-15UKSFA3362	2201	AUC-16A02623	0603	AUC-16HM02869	0603
AUC-15UKS3431	1806	AUC-16AQ2623	0607	AUC-16UU02869	0603
AUC-15UKS3432	1806	AUC-16UKS2623	0612	AUC-16UUA02869	0603
AUC-15UKS3450	1800	AUC-UKSA2623	0612	AUC-16HM02871	0603
AUC-15DLS3508	1804	AUC-16UKSAB2623	0612	AUC-16UU02871	0603
AUC-15DLS3538	1800	AUC-16UKSAC2623	0612	AUC-16UUA02871	0603
AUC-15UKS3550	1804	AUC-UKSB2623	0612	AUC-16UUB02871	0603
AUC-15UKSF3727	1804	AUC-16UKSC2623	0609.2	AUC-16HM02872	0603
AUC-15UKS3940	1806		0612	AUC-16UU02872	0603
AUC-15UKS3950	1806	AUC-16UKSD2623	0607	AUC-16HM02873	0603
AUC-15UKS4190	1806	AUC-16UKSE2623	0607	AUC-16HM02874	0603
AUC-15UKS4284	1804	AUC-16UKSF2623	0607	AUC-16UU02874	0603
AUC-15UKSF4510	2201	AUC-16UKSG2623	0607	AUC-16HM02875	0603
AUC-15UKSF4520	2201	AUC-16UKSH2623	0607	AUC-16HM02876	0603
AUC-15UKSF4630	2201	AUC-16UKSJ2623	0607	AUC-16HM02877	0603
AUC-15UKSF4690	1806	AUC-16UKSK2623	0611	AUC-16UU02877	0603
AUC-15UKS4756	1804	AUC-16UKSL2623	0611	AUC-16HM02878	0603
AUC-15U4901A	1803.1	AUC-16UKSM2623	0609.2	AUC-16HM02879	0603
AUC-15UKSF4940	1806	AUC-16UKSN2623	0612	AUC-16UU02881	0603
AUC-15UKSF4950	1806	AUC-16UKSP2623	0613.1	AUC-16BLU02881	0601
AUC-15UKS5409	1703	AUC-16UKSS2623	0602	AUC-16UU02882	0603
AUC-15UKSF409	1804	AUC-16UKST2623	0607	AUC-16BLU02882	0601
ORD-B155593	1503	AUC-16UKSU2623	0605	AUC-16UU02883	0603
RO-160426	2002	AUC-16UKSV2623	0605	AUC-16BLU02883	0601
AUC-16UVA01047	0609.2	AUC-16UKSW2623	0608	AUC-16HM02884	0603
AUC-16UVB01047	0609.2	AUC-16W02629	0609.1	AUC-16HM02885	0603
AUC-16UKSF01128	2202	AUC-16W02632	0609.1	AUC-16UU02885	0603
AUC-16UKSF01135	2202	AUC-16SC02633	0609.1	AUC-16HM02886	0603
AUC-16UKSFA01135	2202	AUC-16URKB02633	0609.1	AUC-16HM02887	0603
AUC-16UKS01160	1805	AUC-16UKS02648	0609.1	AUC-16BLU02888	0601
AUC-16UKSA01160	1805	AUC-16URK02648	0609.1	AUC-16BLU02889	0601
AUC-16UKSF01160	1805	AUC-16UV02656	0609.2	AUC-16HM02891	0603
AUC-16UU01199	0106.6	AUC-16UKSA02672	0608	AUC-16A02892	0601
AUC-16UU01220	2208.2	AUC-16UKS2721	1801	AUC-16BLU02892	0601
AUC-16D01230	0604.1	AUC-16UKSA2721	1801	AUC-16BLU02893	0601
AUC-16ZB01230	0604.1	AUC-16W2724	0609.1	AUC-16BLU02894	0601
AUC-16NF01241	0608		0609.1	AUC-16BLU02895	0601
AUC-16UKSB01241	0608	AUC-16SA2724	0609.2	AUC-16BLU02896	0601
AUC-16UKS01428	2202		0613.1	AUC-16BLU02897	0601
AUC-16UKSF01428	2202	AUC-16UD2724	0607	AUC-16BLU02898	0601
AUC-16SK01705	2208.1		0613.1	AUC-16BLU02899	0601
AUC-16SK01706	2208.1	AUC-16WM2724	0613.1	AUC-16BLU02901	0601
AUC-16SCM02004	0603	AUC-16W2725	0609.1	AUC-16BLU02903	0601
AUC-16UU02004	0603	AUC-16W2757	0609.1	AUC-16BLU02904	0601
AUC-16UKS02069	0611	AUC-16UKS02763	0608	AUC-16BLU02906	0601
AUC-16WA02079	1503	AUC-16W2790A	1503	AUC-16A02908	0601
AUC-16UKS2243	1806	AUC-16UU02843	0106.6	AUC-16B02908	0601
AUC-16UBL2252	0612	AUC-16HM02857	0603	AUC-16BLU02909	0601
AUC-16SA2253	0612	AUC-16UUB02857	0603	AUC-16BLU02911	0601
AUC-16CK2308	0612	AUC-16HM02858	0603	AUC-16UKSF2911	0612
AUC-16URK2420	0605	AUC-16UU02858	0603	AUC-16BLU02912	0601
AUC-16UKS2420	0605	AUC-16HM02859	0603	AUC-16BLU02914	0601
AUC-16UKS2465	1805	AUC-16UU02859	0603	AUC-16BLU02915	0601
AUC-16CK2472	0609.1	AUC-16HM02861	0603	AUC-16BLU02916	0601
	0607	AUC-16UU02861	0603	AUC-16BLU02917	0601
AUC-16W2487	0612	AUC-16HM02862	0603	AUC-16BLU02918	0601
AUC-16C2499	0612	AUC-16HM02863	0603	AUC-16BLU02921	0601

PART AND DRAWING NUMBER INDEX (Cont'd)

Part No.	Group	Part No.	Group	Part No.	Group
AUC-16BLU02922	0601	AUC-16UU03065	0602	AUC-16URKB4400	0609.1
AUC-16BLU02923	0601	AUC-16W03093	1503	AUC-16URKC4400	0609.1
AUC-16BLU02924	0601	AUC-16W03094	1503	AUC-16UU4414	1801
AUC-16BLU02924S	0601	AUC-16W03095	1503	AUC-16UKS4460	0609.1
AUC-16BLU02925	0601	AUC-16UKS3100	1801	AUC-16UKS4510	0613.1
AUC-16BLU02926	0601	AUC-16UKS3165	1800	AUC-16UKSC4510	0613
AUC-16BLU02927	0601	AUC-16URK3165	1800	AUC-16HM4560	0603
AUC-16BLU02928	0601	AUC-16UKS3181	1804	AUC-16UKS4768	2202
AUC-16BLU02929	0601	AUC-16W03201	1503	AUC-16W4790A	1503
AUC-16BLU02931	0601	AUC-16W03202	1503	AUC-16UKS4823	2202
AUC-16BLU02932	0601	AUC-16W03203	1503	AUC-16UKSF4823	2202
AUC-16BLU02933	0601	AUC-16W03204	1503	AUC-16UKSB4845	1808
AUC-16HM02934	0603	AUC-16W03205	1503	GW-16X5207	2002
AUC-16HM02935	0603	AUC-16W03206	1503	AUC-16UU5415	1801
AUC-16UU02935	0603	AUC-16W03207	1503	AUC-16UKS5828	1703
AUC-16HM02936	0603	AUC-16W03208	1503	AUC-16UKS5950	1703
AUC-16BLU02941	0601	AUC-16UU03249	0602	AUC-16UKSA5950	1703
	0603	AUC-16UU03405	0612	GW-16X7309	2001
AUC-16BLU02942	0601	AUC-16BLU3410	0601	ORD-A167650	0802.2
	0603	AUC-16UU03413	0602	ORD-A167744	0806.5
AUC-16UU02943	0603	AUC-16UU03413A	0602	AUC-16BB9623	0605
AUC-16UU02944	0603	AUC-16UKS3420	0605	AUC-16UKS9911	0612
AUC-16UU02945	0603	AUC-16A03423	0603	AUC-16UKSA9911	0612
AUC-16UU02946	0603	AUC-16UU03424	0602	ORD-A175423	1503
AUC-16UU02947	0603	AUC-16UUA03424	0602	TD-1805-Z-26	0804
AUC-16UU02948	0603	AUC-16UU03429	0602	TD-1805-N-39	1004
AUC-16UUA02948	0603	AUC-16UUA03441	0602	TD-1805-W-75	0804
AUC-16UU02949	0603	AUC-16UKS3443	0603	Z-C181-114	0301
AUC-16UU02952	0603	AUC-16UKSF3443	0603	TD-1820-N-40	1002
AUC-16UU02953	0603	AUC-16W03451	1503	AUC-18HF2128	2002
AUC-16UU02954	0603	AUC-16W03452	1503	AUC-18UVA2171	2002
AUC-16UU02955	0603	AUC-16UKS3480	0607	AUC-18UV2174	2002
AUC-16UU02956	0603	AUC-16UKS3497	0612	AUC-18UV2296	2001
AUC-16UU02957	0603	AUC-16UU03497	0602	AUC-18HF2308	2002
AUC-16UUA02957	0603	AUC-16UKS3520	0613.1	TD-1825-E-31	1004
AUC-16UU02958	0603	AUC-16UKS3520A	0613.1	TD-1825-K-37	1202
AUC-16UU02959	0603	AUC-16BLM03528	0602	TD-1825-E-57	0802.3
AUC-16WB02959	0603	AUC-16UUB3560	0603	TD-1825-G-59	1202
AUC-16UU02966	0603	AUC-16UKS3564	0607	TD-1825-S-71	1401
AUC-16UKS02972	0608	AUC-16UKS3580	0612	AUC-18UKS2637	1805
AUC-16UKSA02973	0608	AUC-16UKS3586	1805	TD-A-1827-W-49	1311
AUC-16UU03027	0603	AUC-16UKS3590	0612	TD-1827-X-50	1311
AUC-16UU03028	0603	AUC-16UKSA3590	0612	TD-1827-J-88	1401
AUC-16UU03029	0603	AUC-16UKSB3590	0612	TD-1827-K-89	1401
AUC-16UUA03029	0603	AUC-16UKSF3590	0612	TD-1829-S-45	1002
AUC-16UU03031	0603	AUC-16UKSFA3590	0612		1102
AUC-16UU03032	0603	AUC-16UKSFB3590	0612	TD-1829-B-54	1002
AUC-16UU03033	0603	AUC-16UKSF3600	0612	AUC-18UV3127	2002
AUC-16UU03034	0601	AUC-16UKSFA3600	0612	AUC-18UVB3171	2002
	0603	AUC-16BLM3620	0602	AUC-18UVA3309	0804
AUC-16UU03035	0603	AUC-16UKS3630	0607	AUC-18UVB3309	0804
AUC-16A03036	0612	AUC-16UKSA3630	0607	AUC-18UVB3599	2002
AUC-16UKS03037	0609.1	AUC-16W3699	0608	AUC-18UVC3599	2002
AUC-16UU03046	0601	AUC-16UKS3699	0608	AUC-18UV3640	2001
AUC-16UU03047	0601	AUC-16UKS3740	0607	AUC-18UV3646	2001
AUC-16UU03048	0602	AUC-16UKS3760	2208.1	AUC-18UV3650	2001
AUC-16UU03049	0602	AUC-16UKSA3768	2202	AUC-18UVA4105	2002
AUC-16UBA03050	0609.2	AUC-16UKS3775	0607	TD-1846-M-65	1202
AUC-16UU03051	0602	AUC-16UKS3837	1804	TD-1850-B-28	1002
AUC-16UU03052	0603	AUC-16UKS3951	0607	TD-1850-Q-43	0801
AUC-16UUA03053	0603	AUC-16UKSC3951	0607	TD-1850-V-48	1002
AUC-16UUA03054	0603	AUC-16UKS3990	1806	AUC-18UV5146	2002
AUC-16UUA03055	0603	AUC-16UKSF3990	1806	TD-1854-B-80	1202
AUC-16UU03056	0802.2	AUC-16TE4249	0609.1	AUC-18UV5500	2002
AUC-16UU03059	0802.2	AUC-16TE4251	0609.1	TD-1898-N-66	1006

PART AND DRAWING NUMBER INDEX (Cont'd)

Part No.	Group	Part No.	Group	Part No.	Group
TD-1898-P-68	1006	BWE-201769	1208.3	BWE-203059	{ 1208.4
TD-1898-Q-69	1006	BWE-201780	1208.3		{ 1208.9
TD-1898-S-71	1006	BWE-201806	1208.1	BWE-203060	1208.4
TD-1898-T-72	1006	BWE-201807	1208.1	BWE-203061	1208.4
TD-1898-W-75	1006	BWE-202587	1208.6	BWE-203062	1208.4
TD-1898-X-76	1006	BWE-202588	1208.6	BWE-203064	{ 1208.4
TD-1898-Y-77	1006	BWE-202620	1208.3		{ 1208.9
TD-1898-B-80	1006	BWE-202666	1208.1	BWE-203064	1209
GW-19X1-1 ³ / ₄	2001	BWE-202667	1208.1	BWE-203098	{ 1208.1
AUC-19HF2111	0800	BWE-202675	1208.8		{ 1208.5
AUC-19UU2111	0800	BWE-202676	1208.8	BWE-203101	1209
AUC-19UU2111A	0800	BWE-202677	1208.8	BWE-203102	1209
AUC-19C2305	1102	BWE-202678	1208.8	BWE-203104	1209
AUC-19UV2352	2002	BWE-202690	1208.5	BWE-203106	1209
ORD-192750	0504	BWE-202691	1208.5	BWE-203107	1209
AUC-19UU3154	0804	BWE-202692	1208.5	BWE-203108	1209
AUC-19UV3391	{ 0701	BWE-202693	1208.5	BWE-203109	1209
	{ 2002	BWE-202695	1208.5	BWE-203112	1209
AUC-19UU3545	0804	BWE-202696	1208.5	BWE-203113	1209
AUC-19UU3613	0804	BWE-202697	1208.5	BWE-203114	1209
AUC-19UU4105A	0804	BWE-202698	1208.5	BWE-203115	1209
DR-194522	0608	BWE-202699	1208.5	BWE-203139	1208.2
AUC-19FK6440	0800	BWE-202735	1208.5	BWE-203147	1208.7
DR-199519	0611	BWE-202748	1208.5	BWE-203148	1208.2
DR-199520	0611	BWE-202846	1209	BWE-203153	{ 1208.1
BWE-200001	1208.2	BWE-202869	1208.5		{ 1209
BWE-200054	1208.2	BWE-202880	1208.2	BWE-203156	1209
BWE-200099	1208.3	BWE-202893	1209	BWE-203227	1208.5
BWE-200100	1208.3	BWE-202898	1209	BWE-203242	1209
BWE-200566	1208.1	BWE-202926	1209	BWE-203243	1209
BWE-200568	1208.1	BWE-202961	1209	BWE-203246	1208.4
BWE-200569	1208.1		{ 1208.1	BWE-203247	1208.4
BWE-200574	1208.1	BWE-202979	{ 1208.2	BWE-203252	1208.1
BWE-200577	1208.1		{ 1208.5	BWE-203254	1208.1
BWE-200661	1211	BWE-202981	{ 1208.1	BWE-203256	1208.1
BWE-200728	1208.2		{ 1209	BWE-203257	1208.1
BWE-200816	1209		{ 1208.1	BWE-203259	1208.1
BWE-200886	1208.1	BWE-202982	{ 1208.5	BWE-203260	1208.1
BWE-201045	{ 1208		{ 1209	BWE-203265	1208.1
	{ 1211	BWE-202983	1209	BWE-203266	1208.1
BWE-201151	1208.1	BWE-202988	1209	BWE-203268	1208.1
BWE-201152	1208.1	BWE-202990	1209	BWE-203269	1208.1
BWE-201153	1208.1	BWE-202998	1209	BWE-203317	1208.1
BWE-201154	1208.1	BWE-202999	1209	BWE-203320	1208.4
BWE-201225	1202	BWE-203000	1209	BWE-203328	1208.6
BWE-201318	1208.2	BWE-203002	1208.1	BWE-203345	1208.1
BWE-201327	1208.1	BWE-203003	{ 1208.1	BWE-203372	1208.8
BWE-201500	1211		{ 1209	BWE-203376	1209
BWE-201518	1208.3	BWE-203004	1209	BWE-203380	1208.9
BWE-201519	1208.3	BWE-203016	{ 1208.5	BWE-203381	1208.9
BWE-201520	1208.3		{ 1209	BWE-203382	1208.9
BWE-201521	1208.3	BWE-203019	1208.2	BWE-203433	1208.1
BWE-201543	1208.3	BWE-203021	1209	BWE-203446	1209
BWE-201546	1208.1	BWE-203028	1209	BWE-203448	1209
BWE-201548	1208.1	BWE-203046	1208.1	BWE-203449	1209
BWE-201552	1208.3	BWE-203048	1208.4	BWE-203450	1208.1
BWE-201596	1208.1	BWE-203049	1208.4	BWE-203451	1208.1
BWE-201609	1208.8	BWE-203051	1208.4	BWE-203454	1208.1
BWE-201610	1208.8	BWE-203052	1209	BWE-203455	1208.1
BWE-201611	1208.8	BWE-203053	1208.4	BWE-203456	1208.1
BWE-201612	1208.8	BWE-203054	1208.4	BWE-203457	1209
BWE-201613	1208.8	BWE-203055	1208.4	BWE-203458	1209
BWE-201614	1208.8	BWE-203056	1208.4	BWE-203459	1208.1
BWE-201615	1208.8	BWE-203057	1208.4	BWE-203462	1209
BWE-201737	1208.3	BWE-203058	{ 1208.4	BWE-203464	1209
			{ 1208.9		

PART AND DRAWING NUMBER INDEX (Cont'd)

Part No.	Group	Part No.	Group	Part No.	Group
BWE-203465	1209	BWE-210354	1208.7	BWE-214926	1209
BWE-203525	1208.1	BWE-210372	1208.2	BWE-215185	1208.4
BWE-203548	1208.1	BWE-210468	1209	BWE-215186	1208.4
BWE-203567	1208.7	BWE-210469	1209	BWE-215210	1209
BWE-203568	1208.1	BWE-210529	1208.2	BWE-215246	1208.2
BWE-203569	1208.1	BWE-210535	1208.2	BWE-215305	1208.1
BWE-203575	1208.2	BWE-210563	1208.3	BWE-215306	1208.1
BWE-203601	1208.1	BWE-210564	1208.3	BWE-215310	1209
BWE-203602	1208.1	BWE-210635	1208.1	BWE-215535	1211
BWE-203608	1208	BWE-210636	1208.1	BWE-215536	1208
	1211	BWE-210735	1208.3	BWE-215537	1208.9
BWE-203610	1208	BWE-211028	1208.6	BWE-215538	1208.9
	1211	BWE-211035	1209	BWE-215604	1211
BWE-203620	1208.9	BWE-211049	1208.1	BWE-215709	1208
BWE-203621	1208.9	BWE-211332	1208.1	BWE-215748	1208.1
BWE-203622	1208.9	BWE-211367	1208.5	BWE-215778	1209
BWE-203623	1208.9	BWE-211376	1209	BWE-215946	1208.4
BWE-203679	1209	BWE-211379	1208.6	BWE-215947	1208.4
BWE-203680	1202	BWE-211510	1208.1	BWE-215953	1208.3
BWE-203742	1209	BWE-211816	1208.1	BWE-215992	1211
BWE-203764	1208.1	BWE-211968	1209	BWE-215993	1208
BWE-203874	1209	BWE-212108	1202	BWE-215995	1208.3
BWE-203879	1208.1	BWE-212109	1202	BWE-216036	1208.1
BWE-203917	1209	BWE-212135	1208.5	BWE-216071	1208.5
BWE-203959	1208.9	BWE-212155	1209	BWE-216144	1208.1
BWE-203978	1208.1	BWE-212205	1208.7	BWE-216174	1209
WH-204060	0202	BWE-212206	1208.7	BWE-216184	1209
BWE-204115	1209	BWE-212207	1208.7	BWE-216213	1208.1
BWE-204150	1208.1	BWE-212227	1211	BWE-216248	1209
BWE-204185	1208.1	BWE-212309	1208.2	BWE-216310	1208
BWE-204532	1208.1	BWE-212322	1208	BWE-216520	1208
BWE-204535	1208.1	BWE-212340	1209	BWE-216523	1208
BWE-304536	1208.1	BWE-212637	1208.2	BWE-216595	1208.1
BWE-204537	1208.1	BWE-212917	1208.2	BWE-216614	1208.2
BWE-204541	1208.1	BWE-213202	1208.7	BWE-216627	1208.3
BWE-204542	1208.1	BWE-213203	1208.8	BWE-216662	1208.1
BWE-204568	1208.5	BWE-213231	1208.7	BWE-216663	1208.1
BWE-204592	1208.1	BWE-213232	1208.7	BWE-216813	1208.2
BWE-204616	1208.3	BWE-213234	1208.7	BWE-216814	1208.2
BWE-204617	1208.3	BWE-213235	1208.7	BWE-217051	1208
BWE-204619	1209	BWE-213236	1208.7	BWE-217221	1208.3
BWE-204650	1208.5	BWE-213237	1208.7	BWE-217321	1209
BWE-204651	1208.5	BWE-213630	1211	BWE-217383	1208.5
BWE-204719	1208.1	BWE-213696	1208.1	BWE-217490	1209
BWE-204722	1208.1	BWE-214007	1208.2	BWE-217525	1208
BWE-204728	1208.1	BWE-214008	1208.2	BWE-217688	1209
BWE-204731	1208.1	BWE-214036	1202	BWE-217697	1208.7
BWE-204820	1209	BWE-214037	1202	BWE-217698	1208.7
BWE-204847	1208.6	BWE-214038	1202	BWE-217799	1211
BWE-204866	1208.8	BWE-214040	1202	BWE-217958	1209
BWE-205000	1208.6	BWE-214041	1202	BWE-220054	1209
BWE-205053	1208	BWE-214050	1202	BWE-220165	1211
BWE-205102	1208	BWE-214103	1202	BWE-220306	1208.7
BWE-205103	1208	BWE-214104	1202	BWE-220570	1211
BWE-205105	1208.8	BWE-214124	1202	BWE-220635	1211
BWE-205115	1208.3	BWE-214125	1202	BWE-220636	1211
BWE-205135	1209	BWE-214150	1208.2	BWE-220703	1208.2
BWE-205326	1208.1	BWE-214151	1208.2	BWE-220704	1208.2
BWE-205420	1208	BWE-214471	1208.3	BWE-220730	1208.2
BWE-205471	1208.3	BWE-214473	1208.3	TD-2208-S-19	1104
BWE-205622	1208.2	BWE-214489	1208.8	BWE-220835	1208.4
BWE-205730	1211	BWE-214842	1208.2	BWE-220877	1209
BWE-205824	1208	BWE-214843	1208.2	BWE-220976	1202
BWE-205829	1208	BWE-214847	1208.2	BWE-220977	1202
ORD-B207930	1503	BWE-214848	1208.2	BWE-220944	1202

PART AND DRAWING NUMBER INDEX (Cont'd)

Part No.	Group	Part No.	Group	Part No.	Group
BWE-220995	1202	AUC-25NT2130	1208.9	AUC-30ZKE5232A	0900
AUC-2UU21008	0605	AUC-25FE2146	1208.4	AUC-30ZKEA5232A	0900
AUC-2UU21185B	0100	AUC-25N2215	1211	AUC-30ZDE5460	0900
BWE-221163	1208.3	AUC-25C2226	1208.7	AUC-30ZDEA5460	0900
BWE-221164	1208.3	AUC-25C2670	1211	AUC-30ZD5590J	0900
BWE-221192	1208.8	AUC-25E2670	1208	AUC-30ZDA5590J	0900
AUC-2UU21272	0106.6	AUC-25G3139	1208	TD-3105-N-14	1311
BWE-221304	1209	AUC-25GD3139	1208	TD-3105-L-64	1311
BWE-221312	1209	AUC-25B3148	1208	AUC-3TFB21071	0702.3
BWE-221322	1209	AUC-25F3231	1208.4	AUC-3TFB21072	0702.3
BWE-221355	1208.1	AUC-25UU3317	1209	AUC-3TFB21073	0702.3
BWE-221357	1208.3	AUC-25LA3328	1209	AUC-3TFB21073S	0702.3
BWE-221358	1209	AUC-25A3630A	1208.5	AUC-3TFB21074	0702.3
BWE-221359	1209	AUC-25UU4362	0503	AUC-3TFC21074	0702.3
BWE-221363	1208.9	AUC-25UUA4362	0503	AUC-3TFB21075	0702.3
BWE-221365	1208.5	AUC-25T4380A	1208.1	AUC-3TFB21076	0702.3
BWE-221366	1208.5	AUC-25A4640B	1208.1	AUC-3UU21129	0704
BWE-221367	1208.1	AUC-25UU4780	0503	AUC-3UU21131	0704
BWE-221368	1208.6	AUC-25UUA4780	0503	AUC-3UU21133	0704
BWE-221369	1208.4	AUC-25UKS4830	1208	AUC-3UU21155	0702.2
BWE-221370	1208.7	AUC-25UKSA4830	2202	AUC-3UU21720	0202
BWE-221372	1208.2	AUC-25UKSF4830	2202	TD-A-322-C-107	1312
BWE-221374	1208.2	AUC-25DB9730	1208	AUC-32UV2836	1809
BWE-221389	1208.7	AUC-27A2238	1805	AUC-32UV2837	1809
AUC-2UU21487	0106.5	AUC-27UVA2239	1805	AUC-32UV2839	1809
TRI-22150-2	2202	AUC-271A2239	1805	AUC-32UV3838	1809
BWE-221524	1209	AUC-26UV2432	1805	AUC-32UV3844	1809
AUC-2UU21659	1209	AUC-27UVB3217	1805	AUC-32UV3845	1809
AUC-2UU21661	1209	AUC-27UVC3217	1805	AUC-32UKSA3877	1801
AUC-2UUA21668	0106.6	AUC-27UKSB3241	1805	AUC-32UKSF4777	1804
GW-22Y3310	2001	AUC-27UKSC3241	1805	AUC-32UV4841	1809
GW-22Y4201	2001	AUC-27UKSD3241	1805	AUC-32UV6500	1809
GW-22Y5344	2001	AUC-27UV3557	1805	AUC-3TFB31580	0702.3
GW-22Y5347	2001	AUC-27UV3561	1805	AUC-3TFB31580A	0702.3
GW-22Y5348	2001	AUC-27UV3567	1805	GW-3X316-1/2	2001
GW-22Y5351	2001	AUC-27UV3568	1805	TD-A-333-A-157	1312
GW-22Y5356	2001	AUC-27UV4680A	2001	AUC-3UU41020	0202
GW-22Y5357	2001	AUC-27UV5224	1805	AUC-3UU41020A	0202
GW-22Y5367	2001	AUC-27UV5550	2001	AUC-3UUA41136	0202
GW-22Y5370	2001	AUC-27UVE6690	1506	CM-350216	0801
GW-22Y5393A	2001	AUC-27UVF6690L	1506	CM-375228	0702.2
GW-22Y5394	2001	AUC-27UVF6690R	1506	TD-A-3801-Y-77	1001
TD-2258-A-53	1202	TD-2803-W-23	1102	TD-3816-D-82	1001
GW-22Y6207	2001	TD-2803-X-24	1102	TD-3816-E-83	1001
GW-22Y7306	2001	TD-2803-G-33	1102	Z-C38-17-33	0301
GW-22Y7307	2001	TD-2803-H-34	1102	TD-3819-Q-17	1312
BWE-230125	1209	TD-2803-J-36	1102	TD-3826-N-14	1102
BWE-230135	1209	TD-2803-K-37	1102	TD-A-3835-M-39	1002
BWE-230136	1209	TD-2803-C-55	1002		1102
BWE-230354	1209	TD-2803-D-56	1002	TD-A-3838-S-45	1002
BWE-230355	1209	TD-2808-K-11	1102	TD-3855-E-57	1102
AUC-2UU31274	0106.6	TD-2808-N-14	1102	TD-3855-H-60	0804
AUC-2UUC31274	0106.6	TD-2808-P-16	1102	TD-3866-L-12	1102
AUC-2UU31486	0106.5	TD-2808-V-22	1102	TD-3866-R-18	1102
AUC-2UU31494	0106.5	TD-2808-P-94	0801	TD-A-3866-B-28	1102
AUC-2UU31507	0106.5	TD-2814-E-57	1002	TD-3870-E-57	1006
AUC-2UU31662	1209	TD-2848-V-22	0802.4	TD-3880-T-46	0802.4
ORD-A236333	1503	TD-2848-W-23	0802.3	TD-3892-L-12	1002
TD-A2-3822-E-5	1202	TD-2848-Q-95	0802.1		1102
TD-A2-3822-F-6	1202	TD-2849-P-94	0804	TD-A-3897-R-96	1004
Z-C24-101AX5	0301	TD-2849-R-96	0804	TD-3902-R-18	1401
AUC-2UUA41494	0106.5	TD-2858-S-45	0804	TD-A-3902-R-18	1401
AUC-24-241-6	1201	TD-2858-S-97	1202	TD-3933-N-92	1004
AUC-25A2110	1208.8	TD-2910-R-18	1004	TD-3944-B-28	1401
AUC-25B2110	1208.8	ORD-A301379	1503	RG-400001	1401

PART AND DRAWING NUMBER INDEX (Cont'd)

Part No.	Group	Part No.	Group	Part No.	Group
RG-400002	1401	ORD-705527	1004	AC-855281	0302
RG-401081	0611	ORD-705540	1002	AC-855282	0302
RG-401082	0611	ORD-705544	1002	AC-855389	0302
RG-401103	1401	ORD-705563	1311	AC-855390	0302
SW-440047	0607	ORD-706634	0702.3	AC-855532	0302
SW-440051	0607	ORD-706646	0702.2	AC-855573	0302
SW-441023	0607	ORD-706657	1102	AC-855574	0302
SW-444063	0607	ORD-706676	1102	AC-855585	0302
SW-444068	0607	ORD-706683	1102	AC-855739	0302
RG-450029	0611	ORD-706687	1002	AC-855763	0302
RG-450061	0611		1102	AC-855918	0302
RG-454895	0611	ORD-706691	1311	AC-856270	0302
PG-A-476-472	0308	ORD-706693	1002	GL-912663	0609.1
SP-K4-86-119	0900	ORD-706771	0802.3	GL-922690	0609.1
ORD-500023	2002	ORD-706797	0505	GL-924552	0609.1
ORD-500050	2002	ORD-706905	0802.3	GL-925000	0609.1
ORD-500904	0612	ORD-706910	1311	Z-C97-10-13	0301
ORD-500905	0612	ORD-706915	1004	AUC-10UG21172	0202
RG-502520	1401	ORD-706922	1002	GW-10X212 ³ / ₈	2001
RG-503473	1401	ORD-706928	1002	AUC-10UU21285	1201
RG-503712	1401	ORD-706942	1311	AUC-10UU21299A	1401
RG-503742	1401	ORD-707640	1102	AUC-10UU31052	0312
RG-503988	1401	ORD-707664	0702.3	AUC-10UU31137	0704
RG-504007	1401	ORD-708230	2002	AUC-10UKS31270	0312
ORD-504413	0609.1	ORD-708232	2002	AUC-10UU31284	0804
ORD-504417	0609.1	ORD-709601	0308	AUC-10UU31340	0312
ORD-504420	0609.1	ORD-710045	0308	DR-1116775	0611
ORD-504423	0609.1	ORD-710147	0702.1	DR-1116818	0611
ORD-504425	0609.1	RG-T745012	1401	DR-1118008	0603
ORD-504426	0609.1	RG-T749000	1401	TD-1199-J-166	0806.5
ORD-504427	0609.1	TRI-75470-4	2202	TD-1199-R-434	1202
ORD-514720	1313	TRI-75470-5-ZE	2202	TD-A-1205-P-146	1101
Z-C57-1X1-38	0301	TRI-77121-1	2202	TD-A-1205-M-325	1102
SP-5-73-108	0900	GW-77Y6000	2002	TD-1225-R-200	1202
SP-5-73-109	0900	RG-7859-18	1401	TD-1227-S-253	1004
AUC-6UU21016	0304	DR-802790	0603	TD-1229-C-107	1202
AUC-6UU21126	0301	RG-8034-96	0611	TD-1229-D-108	1202
AUC-6URK31020	0309	DR-805258	0603	TD-1229-R-122	1202
AUC-6URK31020A	0309	DR-807218	0603	TD-1229-X-822	1002
AUC-6UV31320	0306	DR-809051	0603		1102
ORD-700076	0601	DR-817077	0603	TD-1246-L-220	1401
ORD-700077	0601	DR-820657	0603	TD-1246-Y-233	1006
ORD-700080	1209	DR-825227	0603		1104
ORD-700390	0802.1	DR-825229	0603	TD-1246-L-272	1401
	0802.4	DR-828483	0603	TD-1484-T-176	0802.2
ORD-700391	0802.1	DR-828675	0603	LPE-150-1-146	0201
ORD-700536	2002	AUC-8UU0300-24A	0605	SP-1501-914X	0900
ORD-700602	0802.1	AUC-8UU0300-29A	0605	LPE-150-6-173	0201
ORD-700625	0802.4	AUC-8UU0300-34A	0605	AUC-15UKS21024	2202
ORD-700940	0201	AUC-8UU0300-42A	0605	AUC-15UKSF21024	2202
ORD-700946	2002	AUC-8UU0300-49A	0605	AUC-15UKSFA21024	2202
ORD-701097	0504	AUC-8UU0300-50A	0605	AUC-15UKSFB21024	2202
ORD-705018	0702.3	DR-833602	0603	AUC-15UKS21025	2202
ORD-705047	0702.2	AC-846732	0501	AUC-15UKS21053	1804
ORD-705079	1102	AC-854003	0302	AUC-15UST21111	1803.1
ORD-705121	1102	AC-854005	0302	AUC-15DLS21113	1803.1
ORD-705147	1102	AC-854009	0302	AC-1521187	0302
ORD-705151	1002	AC-854016	0302	AC-1521288	0302
	1102	AC-855012	0302	AC-1521553	0302
ORD-705155	1311	AC-855029	0302	AC-1521720	0302
ORD-705161	1002	AC-855213	0302	AUC-15DLS21777	1803.1
ORD-705318	0802.3	AC-855250	0302	AUC-15QDLS21777	1803.1
ORD-705361	0505	AC-855253	0302	AUC-15DLS21816	1803.1
ORD-705519	0802.3	AC-855274	0302	AUC-15DLS21817	1806
ORD-705525	1311	AC-855279	0302	AUC-15QDLS21817	1806

PART AND DRAWING NUMBER INDEX (Cont'd)

Part No.	Group	Part No.	Group	Part No.	Group
AUC-15UKS21970	1803.1	AUC-15UKSF33116	1804	AUC-16UU22068	0106.6
AC-1521972	0302	AUC-15UKS33139	1804	AUC-16WA22069	0611
AC-1522023	0302	AC-1537096	0302	AUC-16UKS22124	0601
AC-1522024	0302	AC-1537259	0302	AUC-16UKSA22124	0602
AUC-15UKS22118A	1804	AC-1537397	0302	AUC-16UKS22125	0605
AC-1522280	0302	AC-1537710	0302	AUC-16UKS22131	2202
AUC-15UKS22310	{1703 1804	AC-1537722	0302	AUC-16UU22192	2208.1
AUC-15UKS22484	1805	AC-1538166	0302	AUC-16UV22192	2208.1
AUC-15UKSF22484	1805	AC-1538320	0302	AUC-16UVA22192	2208.1
AUC-15UKSF22718	1804	AC-1538354	0302	AUC-16UVB22192	2208.1
AUC-15URK22986	1804	AC-1538355	0302	AUC-16UU22285B	2202
AUC-15UKS23026	1805	AC-1538356	0302	AUC-16UUA22285	2202
AUC-15UKS23028	1805	AC-1538357	0302	AUC-16UUB22285	2202
AUC-15UKS23058	0607	AC-1538358	0302	AUC-16UUC22285	2202
AUC-15UKSF23065	1804	AC-1538359	0302	AUC-16UKS22371	1805
AUC-15UKSFA23073	2201	AC-1538449	0302	AUC-16UKS22433	0617
AUC-15UKSF23077	{0609.2 2201	AC-1538456	0302	AUC-16UKSJ22571	1805
AUC-15UKSF23079	2201	AC-1538613	0302	AUC-16UKS22616	1806
AUC-15UKSF23086	2201	AC-1538615	0302	AUC-16UKS22647	1801
AUC-15UKSF23087	1801	AC-1538678	0302	AUC-16URK22649	0608
AUC-15UKSF23088	1806	AC-1538679	0302	AUC-16UKS22649	0608
AUC-15UKSF23091	1806	AC-1538706	0302	AUC-16UKSA22649	0608
AUC-15UKSF23092	1806	AC-1538719	0302	AUC-16URK22649A	0608
AUC-15UKSF23104	1803.1	AC-1538747	0302	AUC-16UKS22708	{0609.1 2101
AUC-15UKSF23105	1806	AUC-15UKS41080	1804	AUC-16W22731	0608
AC-1523106	0302	AUC-15UKSA41080	1804	AUC-16WA22731	0608
AC-1523118	0302	AUC815UKS41120	1805	AUC-16WA22732	0608
AUC-15UKSF23118	2201	AUC-15UKSF41290	1806	AUC-16UKS22754	2202
AUC-15A23119	1806	AUC-15UKSF42450	2201	AUC-16W22763	0608
AUC-15UKSF23144	0106.6	AUC-15UKSF42679	0612	AUC-16UU22842	2202
AC-1523259	0302	AUC-15UKSF43080	0612	AUC-16UU22845	{1701 1800
AC-1523887	0302	AUC-15UKSF43090	1806	AUC-16UUB22845	0103
AUC-15DL31019	1803.1	AUC-15UKSF52470	1804	AUC-16UUC22845	{1800 1801
AUC-15UKSF31023	2202	AUC-15UKS53017	1703	AUC-16UUF22845	{0101 0501
AUC-15UKSFA31023	2202	AUC-15UKSF53017	1804	AUC-16UUG22845	{0101 0501
AUC-15UKSFB31023	2202	AUC-15UKS53018	1703	AUC-16UUF22845A	0601
AUC-15UKSF31045	1804	AUC-15UKSF53018	1804	AUC-16UKS22973	0608
AUC-15UKS31110	1805	AUC-15UKSF53062	1804	AUC-16UKSA22976	0608
AUC-15UKS31250	1806	AUC-15UKSF53063	1804	AUC-16UKS22998	0617
AUC-15UKSA31250	1806	SP-1601-901X	0900	AUC-16UKS23025	2202
AUC-15UKS31260	1806	SP-1601-904X	0900	AUC-16UU23026	2208.2
AUC-15UKSA31260	1806	AUC-16UBK21029	1805	AUC-16UUA23026	2208.2
AUC-15DL31804	1803.1	AUC-16UKS21029	1805	AUC-16UKSF23107	0609.2
AUC-15UKS31939	1803.1	AUC-16UKS21034	2202	AUC-16UKSF23108	0609.2
AUC-15UKS31948	1806	AUC-16UD21127A	1801	AUC-16UKSF23167	0609.2
AUC-15UKS32069	1803.1	AUC-16UKSFA21157	2202	AUC-16UKS23609	0608
AUC-15UKSFA32262	2201	AUC-16UKSFB21157	2202	AUC-16UKS31027	1805
AUC-15UKS32481	1805	AUC-16UKSF21157	2202	AUC-16UKS31028	1805
AUC-15UKSA32481	1805	AUC-16UKSF21341	0612	AUC-16HF31098	0617
AUC-15UKS32761	1804	AUC-16D21659	2202	AUC-16UKS31098	0617
AUC-15UKS32762	1804	AUC-16UU21731	0103	AUC-16UKSB31098	0617
AUC-15UKSF32776	1804	AUC-16UU21732	1503	AUC-16UKS31110	0612
AUC-15UKSA33014	1803.1	AUC-16W21785	{0607 0613.1	AUC-16UKS31188	1806
AUC-DLS33019	1804	AUC-16RL21785A	0607	AUC-16UKSF31188	1806
AUC-15UKS33033	1804	AUC-16UKS21834	0613.1	AUC-16UKSJ31188	1806
AUC-15UKS33072	1804	AUC-16D21856	0609.2	AUC-16UKS31190	0607
AUC-15UKSF33078	2201	AUC-16D21857	0609.2	AUC-16UKS31210	2208.2
AUC-15UKSFA33091	1806	AUC-16UV21896	2202	AUC-16UKS31217	1805
AUC-15UKSFA33092	1806	AUC-16UKS21927	1805	AUC-16UKSA31217	1805
AUC-15UKSF33100	1803.1	AUC-16UKSA22016	1806	AUC-16UKS31376	0611
AUC-15UKSF33106	1806	AUC-16UKSB22016	1806		
AUC-15UKSF33109	1806	AUC-16UKS22017	1805		
AUC-15UKSF33110	1803.1	AUC-16UKS22018	1805		
		AUC-16UKSF22045	0608		

PART AND DRAWING NUMBER INDEX (Cont'd)

Part No.	Group	Part No.	Group	Part No.	Group
AUC-16UKSF31376	0611	AUC-16UKSF41280	1805	TD-1898-K-193	1006
AUC-16UKS31408	0607	AUC-16W41620	0611	TD-1898-L-194	1006
AUC-16UKS31442	0608	AUC-16UKS41665	1805	TD-1898-W-205	1005.5
AUC-16UKS31460	0612	AUC-16UKS41666	1805		1105.5
AUC-16UKSF31460	0612	AUC-16UKSA41799	1806	TD-1898-E-213	1202
AUC-16UKS31520	0612	AUC-16UKSF41919	1703	DR-1900069	0608
AUC-16UKSF31536	0611	AUC-16UKSF42149	1805	DR-1900554	0603
AUC-16URK31570	0617	AUC-16UKS42768	1804	DR-1901231	0603
AUC-16UKS31580	1805	AUC-16UKS42971	0609.1	DR-1902072	0608
AUC-16UKSF31580	1805	AUC-16W41098	0617	DR-1990544	0608
AUC-16UKSA31580	1805	AUC-16UKS41098	0617	DR-1990550	0608
AUC-16WA31701	0617	AUC-16UKS43175	1808	DR-1990558	0608
AUC-16UKS31791	0612	AUC-16UKS51450	1804	DR-1994513	0608
AUC-16UKSA31791	0612	AUC-16UKS91422	2202	DR-1997007	0608
AUC-16UKS31799	1806	AUC-16UKSA91422	2202	DR-1997013	0608
AUC-16UKS31844	2208.2	TD-A-1805-X-128	1006	DR-1997754	0605
AUC-16UU31896	2202	TD-A-1805-Y-155	1002	DR-1997772	0608
AUC-16UKS31970	1805	TD-A-1805-L-168	0801	DR-1997797	0605
AUC-16UKSF31970	1805	TD-1829-V-152	1311	TD-2210-E-785	1202
AUC-16UKSJ31970	1805	TD-1829-W-153	1311	TD-2210-F-786	1202
AUC-16UKS32040	0607	TD-1829-B-158	1311	TD-2233-W-413	1002
AUC-16UKS32170	1804	TD-1829-P-172	1002		1102
AUC-16UKS32210	1806	TD-1829-L-298	1002	TD-2240-U-983	1202
AUC-16UKSF32210	1806	TD-1829-T-332	1006	TD-2297-L-168	1202
AUC-16UKS32220	1806	TD-1829-Y-363	1000	TD-A2-3800-X-24	1102
AUC-16UKSF32220	1806	TD-1829-A-391	0802.1	TD-A2-3800-U-359	1002
AUC-16UKS32230	1806	TD-1829-B-392	0802.2	AUC-24-241-17	1201
AUC-16UKSF32230	1806		0802.3	AUC-25A21060	1208.8
AUC-16UKS32270	1805	TD-1829-C-393	0802.1	TD-2803-E-239	1002
AUC-16UKS32280	1805	TD-1829-K-401	1006	TD-2803-F-240	1002
AUC-16UKS32297	1805	TD-1829-L-402	1006	TD-2803-G-241	1002
AUC-16UKSA32297	1805	DR-1843456	0603	TD-2803-H-242	1002
AUC-16UKSB32297	1805	TD-1844-L-116	1102	TD-2803-W-309	1004
AUC-16UKS32320	1804	TD-1844-W-153	1002	TD-2803-X-310	1004
AUC-16UKSC32433	0617	TD-1844-R-174	0802.1	TD-2803-H-346	1002
AUC-16UKS32584	1805	TD-1844-S-175	0802.2	TD-2803-J-348	1002
AUC-16UKS32585	1806	TD-1844-T-176	0802.2	TD-2803-K-349	1002
AUC-16UKS32689	1806	DR-1845396	0603	TD-2803-Y-519	1002
AUC-16UKS32672	0608	DR-1847239	0603	TD-2803-Z-520	1002
AUC-16UKS32676	0608	DR-1847240	0603	TD-2803-A-521	1002
AUC-16UKS32727	1806	TD-1854-J-114	1006	TD-2803-Y-571	1002
AUC-16WC32732	0608	DR-1855434	0603	TD-2803-H-606	1102
AUC-16UKS32740	0611	DR-1855491	0603	TD-2803-J-608	1102
AUC-16UKS32744	0608	DR-1855497	0603	TD-2803-N-612	0801
AUC-16UU32850	0106.6	DR-1855498	0603		0804
AUC-16UU32850A	0106.6	DR-1855499	0603	TD-2803-P-614	0801
AUC-16UKS32968	0609.1	DR-1862172	0603	TD-2803-Q-615	0801
AUC-16UKS33050	0609.1	DR-1862901	0603	TD-2803-R-616	0801
AUC-16UKS33101	0609.1	DR-1866970	0603	TD-2803-S-617	0801
AUC-16UKSF33109	0609.2	DR-1867662	0603	TD-2803-T-618	0801
AUC-16UKSF33111	0609.2	GL-1867662	0609.1	TD-2803-U-619	0801
AUC-16UKSF33112	0609.2	DR-1869034	0603	TD-2803-V-620	0801
AUC-16W33384	0608	DR-1869035	0603	TD-2803-W-621	0801
AUC-16UV33511	2202	DR-1869036	0603	TD-2803-E-629	1102
AUC-16UKS3520B	0613.1	DR-1869595	0603	TD-2808-H-138	1006
AUC-16UKS41026	2202	DR-1869851	0603	TD-2808-H-164	1006
AUC-16UKS41046	0609.2	DR-1872391	0611	TD-2808-K-167	1002
AUC-16UKSF41046	0609.2	DR-1874705	0603	TD-2808-A-183	1002
AUC-16UKS41128	2202	GL-1878192	0609.1	TD-2808-L-194	1002
AUC-16UKS41130	2202	DR-1880355	0603	TD-2808-H-216	0804
AUC-16UKSF41130	2202	DR-1880391	0611	TD-2808-N-300	1001
AUC-16UKS41135	2202	DR-1881521	0603		1002
AUC-16UKS41137	2202	DR-1884374	0608	TD-2808-K-323	1002
AUC-16WG41241	0608	DR-1886809	0608	TD-2808-V-360	0801
AUC-16UKS41280	1805	TD-A-1898-J-114	1006	TD-2808-W-361	0801

PART AND DRAWING NUMBER INDEX (Cont'd)

Part No.	Group	Part No.	Group	Part No.	Group
TD-2808-X-362	0801	TD-3890-S-253	1002	AUC-8-0300-34A	0605
TD-2808-Y-363	0801	TD-3891-D-420	1102	AUC-8-0300-42A	0605
TD-2808-Z-364	0801	TD-3891-N-482	1002	AUC-8-0300-49A	0605
TD-2808-A-365	0801	TD-3892-Q-719	0802.2	AUC-8-0300-50A	0605
TD-2810-E-239	1202	TD-3892-R-720	0802.1	TRI-80550-48-ZE	2202
TD-2810-F-240	1202	TD-3892-S-721	0802.3	UTS-H90-11260	0304
TD-2834-R-408	1002	TD-3892-T-722	0802.1	WH-102-23154	0106.6
	1102	TD-3892-U-723	0802.2	GW-10X320 ⁵ / ₁₆	2001
TD-2843-F-110	0804	TD-A-3897-V-100	1004	TD-A10-3835-L-38	1002
TD-2843-R-122	0804	TD-3897-Z-234	1006		1102
TD-2847-X-310	0802.4	TD-A-3897-Q-277	1004	TD-A-1199-C-1043	1005.5
SP-3 ¹ / ₂ -14-19	0900	TD-3897-J-296	0802.4		1105.5
TD-A-3211-M-949	1202	TD-A5-3835-L-38	1002	TD-1199-K-1051	1311
TD-3216-H-112	1101		1102	TD-1199-L-1052	1311
TD-3216-J-114	1102	GL-5930487	0609.1	TD-1199-M-1053	1311
TD-3219-K-583	1312	GL-5930502	0609.1	TD-1199-N-1054	1311
AUC-32UKSF31619	1800	GL-5931167	0609.1	TD-A1-3211-M-949	1202
TD-3236-N-690	1202	GL-5932207	0609.1	TD-A1-3880-N-274	1102
TD-3280-K-505	1312	GL-5932419	0609.1	TD-A1-3897-Q-277	1004
TD-3299-E-915	1202	GL-5932572	0609.1	AUC-16DFLB9786-15	0306
TD-3299-F-916	1202	GL-5933055	0609.1	UTS-T195-12001	0304
SW-36800-55	2208.2	GL-5933056	0609.1	TD-A2-3211-M-949	1202
TD-A-3802-A-495	1006	GL-5933069	0609.1	TD-A23-3800-X-24	1102
TD-A-3802-B-496	1006	GL-5933075	0609.1	TD-A2-3897-Q-277	1004
TD-A-3826-U-151	1002	GL-5933078	0609.1	TD-A-3202-N-1392	1104
TD-3826-C-185	0801	GL-5933104	0609.1	TD-A-3202-P-1394	1104
TD-3836-N-144	1202	GL-5933121	0609.1	SW-442080-74	0607
TD-3866-F-136	1004	GL-5933122	0609.1	RD-7153-38- ⁵ / ₈	1401
TD-3866-G-137	1004	GL-5933156	0609.1	TD-A78-333-A-157	1312
TD-3866-Z-182	1002	GL-5933231	0609.1	RG-7845-39- ¹ / ₈	1401
TD-3866-G-189	1002	GL-5933522	0609.1	TD-A79-333-A-157	1312
TD-3866-P-354	0801	GL-5933524	0609.1	RG-7940-11- ³ / ₄	1401
TD-3866-Q-381	0801	GL-5934457	0609.1	RG-7941-11- ³ / ₄	1401
TD-3866-R-382	0801	GL-5934473	0609.1	TD-A80-333-A-157	1312
TD-3866-S-383	0801	GL-5934562	0609.1	TD-A81-333-A-157	1312
TD-3866-T-384	0801	GL-5934583	0609.1	TD-A1-3201-G-1047	1101
TD-A-3875-C-133	0801	GL-5935043	0609.1	AUC-24-241-55- ¹ / ₂	1206
TD-3880-L-324	0802.2	SW-666B-1.114	2208.1	TD-A28-3222-S-253	1202
TD-3880-M-325	0802.1	TRI-76570-48-ZE	2202	TD-A29-3222-S-253	1202
TD-3880-N-326	0802.3	TRI-76570-51-ZE	2202	SW-446035-168	2208.1
TD-3889-Z-156	1102	AUC-8-0300-24A	0605	RG-8394-52- ¹¹ / ₁₆	1401
TD-3889-W-179	1002	AUC-8-0300-29A	0605	RG-8395-52- ¹¹ / ₁₆	1401

ALPHABETICAL INDEX

Certain classes of parts are not included in this index. Those parts, which are attaching parts and indented under the part attached, have been omitted as they can be located by looking up the item attached. For example: To find the attaching parts for a bracket, look up the BRACKET in this index, determine the correct BRACKET you are interested in and turn to the group shown, where the attaching parts will be found listed under the BRACKET.

Item	Group	Item	Group
A			
ADAPTER, carburetor	0301	ADAPTER, tachometer-distributor drive, w/GEAR, assembly	0604.1
ADAPTER, cranking motor	0603	ADAPTER, viscometer	0106.6
ADAPTER, power take-off, assembly	2002	ADJUSTER, slack, front brake, L.H., assembly	1202
ADAPTER, speedometer, assembly	2208.1	ADJUSTER, slack, front brake, R.H., assembly	1202
ADAPTER, tachometer-distributor drive, assembly	0604.1	ADJUSTER, slack, rear brake, L.H., assembly	1202

ALPHABETICAL INDEX (Cont'd)

Item	Group	Item	Group
ADJUSTER, slack, rear brake, R.H., assembly	1202	BALL, transmission gear shift lockout plunger	0704
ADJUSTMENT, carburetor main jet, assembly	0301	BALL, transmission transfer declutch shift hand lever	0804
AIR CLEANER, carburetor, assembly, 7 ¹⁵ / ₁₆ in. diam., oil bath type	0304	BALL, transmission transfer gear shift hand lever	0804
AIR CLEANER, carburetor, assembly, 9 ¹ / ₂ in. diam., oil bath type	0304	BAND, brake, winch, assembly	2001
AMMETER	0607	BAND, head, cranking motor, assembly	0603
AMMETER, auxiliary	0607	BAND, head, generator, assembly	0601
ANGLE, radiator guard	2101	BAR, adjusting, seat pan, R.H., assembly	1806
ANGLE, support, left hand seat, L.H., assembly	1806	BAR, cab center sill, w/REINFORCEMENT, assembly	1804
ANGLE, support, left hand seat, R.H., assembly	1806	BASE, battery box, assembly	0612
ANGLE, support, right hand seat, L.H., assembly	1906	BASE, distributor, assembly	0604.1
ANGLE, support, right hand seat, R.H., assembly	1806	BASE, fifth wheel	1506
ANGLE, tie, cab center sill, assembly	1804	BASE, generator regulator, w/STUDS, assembly	0602
ANGLE, winch base, front	2001	BASE, insulation, generator regulator	0602
ANGLE, winch base, rear	2001	BATTERY, storage, 6-8 v., type 4H, dry charged	0612
APRON, front fender, L.H., assembly	1701	BATTERY, storage, 6-8 v., type 4H, wet charged	0612
APRON, front fender, R.H., assembly	1701	BEAM, walking, fifth wheel	1506
APRON, rear fender, L.H., assembly	1701	BEARING, absorbent bronze, distributor shaft	0604.1
APRON, rear fender, R.H., assembly	1701	BEARING, ball, D.R., narrow width, power take-off shaft	2002
ARM, adjustable, windshield wiper, assembly	2202	BEARING, ball, S.R., radial, air compressor crankshaft	1209
ARM, cranking motor series parallel switch push rod release	0603	BEARING, ball, S.R., radial, generator commutator end	0601
ARM, distributor advance, assembly	0604.1	BEARING, ball, S.R., radial, generator drive end	0601
ARM, distributor breaker spring, w/CONTACT, assembly	0604.1	BEARING, ball, S.R., radial, power take-off shaft	2002
ARM, generator brush	0601	BEARING, ball, S.R., radial, winch worm	2001
ARM, lever, hand brake, front, L.H.	1201	BEARING, ball, S.R., radial, 1 seal, wide cup (clutch pilot)	0201
ARM, lever, hand brake, front, R.H.	1201	BEARING, ball, S.R., radial, 1 seal, wide cup (water pump shaft)	0504
ARM, lever, hand brake, rear, L.H.	1201	BEARING, ball, S.R., radial, 1 shield (transmission transfer declutch shaft)	0802.4
ARM, lever, hand brake, rear, R.H.	1201	BEARING, ball, S.R., radial, 1 shield (transmission transfer main drive gear idler)	0802.1
ARM, power take-off shift rod	2002	BEARING, ball, S.R., radial, 1 shield (transmission transfer main shaft, front)	0802.1
ARM, quadrant, windshield	1804	BEARING, ball, S.R., radial, 1 shield (transmission transfer main shaft, rear)	0802.1
ARM, rocker, foot brake valve	1208.1	BEARING, ball, thrust, governor drive shaft, lower	0308
ARM, rocker, fuel pump	0302	BEARING, ball, thrust, governor drive shaft, upper	0308
ARM, steering, front axle	1004	BEARING, ball, transmission drive shaft	0702.1
ARM, steering gear	1401	BEARING, clutch trunnion block	0202
ARM, transmission fifth speed shift rod	0704	BEARING, cranking motor commutator end	0603
ARM, transmission reverse gear shift rod	0704	BEARING, cranking motor drive end	0603
ARM, windshield wiper, assembly	2202	BEARING, cranking motor intermediate plate	0603
ARMATURE, cranking motor, assembly	0603	BEARING, cranking motor pinion housing, drive end	0603
ARMATURE, generator, assembly	0601	BEARING, engine camshaft, center and intermediate	0105.3
ARMATURE, generator regulator circuit breaker, assembly	0602	BEARING, engine camshaft, front	0105.3
ARMATURE, generator regulator current regulator, assembly	0602	BEARING, engine camshaft, rear	0105.3
ARMATURE, generator regulator voltage regulator, assembly	0602	BEARING, engine connecting rod	0104
AXLE, carburetor float	0301	BEARING, engine idler shaft	0105.5
AXLE, front, assembly	1000	BEARING, engine main, center	0102
AXLE, front, w/companion FLANGE, assembly	1000	BEARING, engine main, front	0102
AXLE, rear, assembly	1100	BEARING, engine main, intermediate	0102
AXLE, rear, w/companion FLANGE, assembly	1100	BEARING, engine main, rear	0102
B		BEARING, needle, front propeller shaft journal, assembly	0900
BAIL, fuel pump, w/SCREW, assembly	0302	BEARING, needle, intermediate and rear propeller shaft journal, assembly	0900
BALL, check, air compressor	1209	BEARING, needle, transmission reverse gear	0702.3
BALL, clutch lever locking	0202	BEARING, needle roller, assembly, complete (water pump shaft)	0504
BALL, front axle steering arm	1004	BEARING, roller, power take-off adapter gear, assembly	2002
BALL, front axle steering arm, w/NUT, assembly	1004	BEARING, roller, power take-off idler gear, assembly	2002
BALL, front axle universal drive	1006	BEARING, roller, power take-off intermediate gear, assembly	2002
BALL, lock, hand brake valve	1208.1	BEARING, roller, rear axle bevel gear, assembly	1102
BALL, power take-off control hand lever	2002	BEARING, roller, transmission countershaft, front, assembly	0702.3
BALL, single check valve	1208.7		
BALL, steel, air brake safety valve	1208.8		
BALL, transmission gear shift lever	0704		

ALPHABETICAL INDEX (Cont'd)

Item	Group	Item	Group
BEARING, roller, transmission main shaft pilot, assembly	0702.2	BOLT, clamp, engine oil filter case	0106.2
BEARING SET, engine camshaft	0105.3	BOLT, engine flywheel	0103
BEARING SET, engine connecting rod	0104	BOLT, eye, air cleaner, assembly	0304
BEARING SET, engine crankshaft, main	0102	BOLT, front axle differential case	1002
BELT, fan and compressor	0505	BOLT, front brake shoe link	1202
BLADE, fan, w/pilot WASHER, assembly	0505	BOLT, front propeller shaft	0900
BLADE, windshield wiper	2202	BOLT, hand brake lever spoon	1201
BLOCK, cylinder, air compressor	1209	BOLT, hand brake valve cover	1208.1
BLOCK, engine cylinder, w/CRANKCASE	0101	BOLT, hex., double check valve	1208.7
BLOCK, engine cylinder, w/CRANKCASE, assembly	0101	BOLT, hex., foot brake valve cover	1208.1
BLOCK, engine support, rear	0100	BOLT, hex., pressure plate, front air brake chamber	1208.2
BLOCK, junction, 7 pole	0608	BOLT, hex., pressure plate, rear air brake chamber	1208.2
BLOCK, snatch, winch cable, assembly	2001	BOLT, hold-down, ponton body	1809
BLOCK, trunnion, clutch release	0202	BOLT, intermediate propeller shaft	0900
BODY, air brake governor, w/TUBE, assembly	1208.3	BOLT, mounting, fifth wheel	1506
BODY, air brake safety valve	1208.8	BOLT, pintle lock	1503
BODY, air compressor cylinder block	1209	BOLT, plow, front spring rebound clip	1601
BODY, air compressor cylinder head	1209	BOLT, plow, rear spring rebound clip	1601
BODY, air hose connector, 1/4 NPT	1208	BOLT, rear axle differential case	1102
BODY, air hose connector, 1/2 NPT	1211	BOLT, rear brake shoe lining	1202
BODY, air supply valve	1208.8	BOLT, rear propeller shaft	0900
BODY, blackout driving light, assembly	0609.1	BOLT, through, front axle differential carrier to housing	1002
BODY, blackout parking light, assembly	0609.1	BOLT, transmission first and second speed slide gear sleeve	0702.2
BODY, blackout tail and blackout stop light, assembly	0609.1	BOLT, winch drag brake spring	2001
BODY, blackout tail and service tail and stop light, assembly	0609.1	BOLT, wing, battery box lid	0612
BODY, carburetor throttle, assembly	0301	BOLT, wing, floorboard clamp plate	1805
BODY, carburetor union	0301	BOLT, wing, front fender apron	1701
BODY, double check valve, assembly	1208.7	BOLT, wing, rear fender apron	1701
BODY, engine oil pump, lower	0106.1	BOND, radio suppression, crankcase to front engine support	0101
BODY, engine oil pump, upper	0106.1	BOND, radio suppression, fender apron to frame rail	1701
BODY, foot brake valve	1208.1	BOND, radio suppression, flywheel housing to frame rail, L.H.	0103
BODY, foot brake valve cover	1208.1	BOND, radio suppression, flywheel housing to frame rail, R.H.	0103
BODY, foot brake valve exhaust valve	1208.1	BOND, radio suppression, front corner of cab to frame rail	1800
BODY, foot brake valve intake valve	1208.1	BOND, radio suppression, front cylinder head to cab angle	0101
BODY, front brake slack adjuster, L.H.	1202	BOND, radio suppression, generator to frame rail	0601
BODY, front brake slack adjuster, R.H.	1202	BOND, radio suppression, ponton body to cab support	1801
BODY, fuel pump	0302	BOND, radio suppression, radiator to cross member	0601
BODY, fuel pump, w/priming LEVER and oil SEAL, assembly	0302	BOND, radio suppression, radiator to dash	0501
BODY, governor	0308	BOND, radio suppression, rear cylinder head to manifold shield	0101
BODY, governor, assembly	0308	BOND, radio suppression, rear of cab to frame rail	1800
BODY, hand brake valve	1208.1	BOW, cab top	2201
BODY, head light, assembly	0609.1	BOWL, fuel, carburetor, assembly	0301
BODY, instrument panel light switch	0608	BOWL, fuel filter (casting)	0309
BODY, lock, hand brake valve	1208.1	BOWL, fuel filter (steel)	0309
BODY, low pressure indicator	1208.4	BOWL, metal, fuel pump	0302
BODY, ponton, assembly	1809	BOX, battery, assembly	0612
BODY, quick release valve	1208.6	BOX, governor valve	0308
BODY, rear brake slack adjuster, L.H.	1202	BOX, governor valve, assembly	0308
BODY, rear brake slack adjuster, R.H.	1202	BOX, seat, L.H., assembly	1806
BODY, relay valve	1208.5	BOX, seat, R.H., assembly	1806
BODY, relay valve, assembly	1208.5	BOX, tool, assembly (R.H. frame rail)	1808
BODY, single check valve	1208.7	BRACE, angle, lifting shackle	1503
BODY, stop light switch	1208.9	BRACE, engine oil filler pipe	0106.6
BODY, strainer, air brake governor	1208.3	BRACE, running board	1701
BODY, van, w/WINDOWS, assembly	1809	BRACE, steering gear, upper, L.H.	1401
BODY, van, w/o WINDOWS, assembly	1809	BRACE, steering gear, upper, R.H.	1401
BODY, water pump	0504	BRACKET, accelerator cross shaft	0312
BOLT, air compressor connecting rod	1209	BRACKET, accelerator treadle	0312
BOLT, battery cable terminal, w/NUT, assembly	0612		
BOLT, center, front spring	1601		
BOLT, center, front spring, w/NUT, assembly	1601		
BOLT, center, rear and auxiliary springs	1601		
BOLT, center, rear spring, w/NUT, assembly	1601		

ALPHABETICAL INDEX (Cont'd)

Item	Group	Item	Group
BRACKET, adjusting, generator regulator current regulator air gap	0602	BRACKET, ponton body sill	1909
BRACKET, adjusting, generator regulator voltage regulator air gap	0602	BRACKET, power take-off adapter	2002
BRACKET, air brake governor	1208.3	BRACKET, power take-off cross shaft, inner	2002
BRACKET, air compressor	1209	BRACKET, power take-off cross shaft, outer	2002
BRACKET, air reservoir tank	1209	BRACKET, radiator support, bottom	0501
BRACKET, air supply valve	1208	BRACKET, radiator support, top	0501
BRACKET, battery cable clip	0612	BRACKET, rear auxiliary spring	1602
BRACKET, blackout driving light	0609.1	BRACKET, rear brake camshaft and brake chamber, L.H.	1202
BRACKET, blackout lamp	2101	BRACKET, rear brake camshaft and brake chamber, R.H.	1202
BRACKET, blackout parking light	0609.1	BRACKET, rear quarter fender support	1701
BRACKET, body, front gun support, w/rear view mirror BRACKET, assembly	1804	BRACKET, rear quarter fender support, rear, lower	1701
BRACKET, body, rear gun support, center	1804	BRACKET, rear spring, front	1602
BRACKET, body, rear gun support, side	1804	BRACKET, rear spring, front, w/BUSHING, assembly	1601
BRACKET, carburetor air shutter	0301	BRACKET, rear spring shackle	1601
BRACKET, carburetor air shutter, w/wire CLAMP, assembly	0301	BRACKET, reflector	2202
BRACKET, carburetor float hinge	0301	BRACKET, relay valve	1208
BRACKET, choke and throttle control, front	0312	BRACKET, roof bow clamp	2201
BRACKET, choke and throttle control, rear	0312	BRACKET, seat back, lower	1806
BRACKET, choke and throttle control, top	0312	BRACKET, seat back, upper	1806
BRACKET, clutch and brake pedal	0202	BRACKET, seat back hanger	1806
BRACKET, clutch oil line	0202	BRACKET, seat back support, L.H.	1806
BRACKET, control, transmission transfer	0804	BRACKET, seat back support, R.H.	1806
BRACKET, cranking motor switch, assembly	0603	BRACKET, speedometer drive shaft	2208.1
BRACKET, deck clamp, lower	1805	BRACKET, spot light clamp	0609.2
BRACKET, dummy trailer socket	0617	BRACKET, spot light support	0609.2
BRACKET, engine oil filter	0106.2	BRACKET, steering gear, w/CAP	1401
BRACKET, engine oil filter, assembly	0106.2	BRACKET, support, floorboard, front	1805
BRACKET, engine oil line (oil pressure gage)	0106.6	BRACKET, support, floorboard, front, L.H.	1805
BRACKET, engine support, front	0100	BRACKET, support, floorboard, front, R.H.	1805
BRACKET, fan	0505	BRACKET, tachometer drive shaft	2208.2
BRACKET, foot brake valve	1208	BRACKET, tail light	0609.1
BRACKET, front bumper	2101	BRACKET, tail light cable	0613.1
BRACKET, front cab support	1801	BRACKET, trailer cable receptacle	0617
BRACKET, front spring, front	1601	BRACKET, trailer hose coupling, front, L.H.	1211
BRACKET, front spring, rear	1601	BRACKET, trailer hose coupling, front, R.H.	1211
BRACKET, front spring, rear, w/BUSHING, assembly	1601	BRACKET, trailer hose coupling, rear, L.H.	1211
BRACKET, fuel line (filter to pump)	0306	BRACKET, trailer hose coupling, rear, R.H.	1211
BRACKET, fuel line (pump to carburetor)	0306	BRACKET, tubing clip	1208
BRACKET, fuel line (rear tank to filter)	0306	BRACKET, upper, steering gear, w/CAP	1401
BRACKET, fuel line (tanks to filter)	0306	BRACKET, winch support, front	2001
BRACKET, fuel tank	0306	BRACKET, winch support, rear, L.H.	2001
BRACKET, fuel tank, assembly	0306	BRACKET, winch support, rear, R.H.	2001
BRACKET, hand brake anchor	1201	BRACKET, windshield body, center	1804
BRACKET, hand brake anchor, w/BUSHING, assembly	1201	BRACKET, windshield body, side	1804
BRACKET, head light, L.H.	0609.1	BRAKE, drag, winch, assembly	2001
BRACKET, head light, R.H.	0609.1	BRAKE, hand, assembly	1201
BRACKET, heat indicator cable	0607	BREAKER, circuit, horn and low pressure buzzer, assembly	0608
BRACKET, horn and relay	0611	BREAKER, circuit, starting switch, assembly	0608
BRACKET, horn mounting	0611	BREATHER, engine crankcase, assembly	0106.5
BRACKET, junction block	0608	BREATHER, front axle housing, assembly	1005.5
BRACKET, lifting shackle, front	1503	BREATHER, rear axle housing, assembly	1105.5
BRACKET, lifting shackle, rear	1503	BREATHER, transmission transfer case	0806.5
BRACKET, mounting, air cleaner	0304	BRUSH, cranking motor	0603
BRACKET, mounting, air cleaner, w/PIPE, assembly	0304	BRUSH, generator	0601
BRACKET, mounting, front deck, L.H.	1805	BRUSH SET, generator	0601
BRACKET, mounting, front deck, R.H.	1805	BUMPER, bottom, cab door glass	1803.1
BRACKET, mounting, generator regulator resistor	0602	BUMPER, front	2101
BRACKET, mounting, spare parts tool box	1808	BUMPER, spring, steering drag link, adjustable end	1401
BRACKET, mounting, windshield outer frame, L.H.	1804	BUMPERETTE, rear, L.H.	1201
BRACKET, mounting, windshield outer frame, R.H.	1804	BUMPERETTE, rear, R.H.	2101
BRACKET, muffler	0401	BUSHING, accelerator cross shaft tube	0312
BRACKET, oil can	1801	BUSHING, accelerator treadle	0312
		BUSHING, air compressor bracket bolt	1209

ALPHABETICAL INDEX (Cont'd)

Item	Group	Item	Group
BUSHING, air compressor connecting rod.....	1209	BUSHING, transmission transfer declutch shift cross shaft lever.....	0804
BUSHING, air compressor unloader valve.....	1209	BUSHING, transmission transfer gear shift hand lever..	0804
BUSHING, blackout lighting switch.....	0608	BUSHING, transmission transfer output shaft.....	0802.3
BUSHING, brake pedal lever (rod end pin).....	1206	BUSHING, water pump body.....	0504
BUSHING, brake pedal lever (shaft).....	1206	BUSHING, water pump cover.....	0504
BUSHING, carburetor throttle lever.....	0301	BUSHING, winch drum.....	2001
BUSHING, carburetor throttle shaft.....	0301	BUSHING, winch gear case.....	2001
BUSHING, clutch control shaft (clutch housing).....	0200	BUTTON, foot brake valve plunger.....	1208.1
BUSHING, clutch pedal lever (rod end pin).....	0202	BUTTON, steering gear horn.....	0611
BUSHING, clutch pedal lever (shaft).....	0202	BUZZER, low pressure indicator, assembly.....	1208.4
BUSHING, cross shaft, transmission transfer front support.....	0800	C	
BUSHING, engine accessory drive shaft.....	0109	CAB, closed, assembly.....	1800
BUSHING, engine oil pump body, lower.....	0106.1	CAB, open, assembly.....	1800
BUSHING, engine oil pump body, upper.....	0106.1	CABLE, auxiliary trailer receptacle, assembly.....	0617
BUSHING, engine support bracket, front.....	0100	CABLE, battery ground, assembly.....	0612
BUSHING, foot brake valve lever pin.....	1208.1	CABLE, battery to magnetic switch, assembly.....	0612
BUSHING, foot brake valve operator lever.....	1208.1	CABLE, cranking motor, assembly.....	0612
BUSHING, foot brake valve plunger.....	1208.1	CABLE, generator to regulator, assembly.....	0613.1
BUSHING, front axle steering knuckle.....	1004	CABLE, head light to dimmer switch, assembly.....	0607
BUSHING, front brake camshaft.....	1202	CABLE, instrument supply, assembly.....	0612
BUSHING, front brake shoe.....	1202	CABLE, junction block to instrument panel, assembly..	0607
BUSHING, front spring.....	1601	CABLE, magnetic switch, assembly.....	0612
BUSHING, front spring rear bracket.....	1601	CABLE, negative, battery to series-parallel switch, assembly.....	0612
BUSHING, fuel pump rocker arm pin.....	0302	CABLE, negative, battery to series-parallel switch, short, assembly.....	0612
BUSHING, governor drive shaft, lower.....	0308	CABLE, positive, battery to series-parallel switch, assembly.....	0612
BUSHING, governor drive shaft, upper.....	0308	CABLE, positive, battery to series-parallel switch, long, assembly.....	0612
BUSHING, hand brake anchor bracket.....	1201	CABLE, spot light, assembly.....	0609.2
BUSHING, hand brake lever arm.....	1201	CABLE, steering gear horn, w/upper TERMINAL, assembly.....	0611
BUSHING, hand brake push rod lever.....	1201	CABLE, tail light, assembly.....	0613.1
BUSHING, hand brake shaft lever.....	1201	CABLE, trailer lighting, assembly.....	0617
BUSHING, hand brake shoe.....	1201	CABLE, winch, assembly.....	2001
BUSHING, hand brake transfer lever.....	1201	CABLE SET, distributor.....	0605
BUSHING, instrument panel light switch.....	0608	CAGE, front axle bevel pinion bearing, w/CUP, assembly	1002
BUSHING, insulating, armature terminal.....	0601	CAGE, front axle spur pinion bearing, w/CUP, assembly	1002
BUSHING, insulating, cranking motor brush holder... ..	0603	CAGE, front axle universal drive ball.....	1006
BUSHING, insulating, cranking motor brush holder rivet	0603	CAGE, rear axle spur pinion bearing.....	1102
BUSHING, insulating, cranking motor series parallel switch cover.....	0603	CAGE, spring, air brake safety valve.....	1208.8
BUSHING, insulating, cranking motor series parallel switch terminal stud.....	0603	CAGE, spring, hand brake valve.....	1208.1
BUSHING, insulating, cranking motor terminal stud... ..	0603	CAGE, transmission transfer main shaft front bearing... ..	0801
BUSHING, insulating, distributor terminal post.....	0604.1	CAGE, windshield wiper single valve.....	2202
BUSHING, insulating, field terminal.....	0601	CAM, distributor, w/stop PLATE, assembly.....	0604.1
BUSHING, insulating, generator field terminal.....	0601	CAM, steering gear, w/wheel TUBE, BEARINGS and wheel NUT, assembly.....	1401
BUSHING, lever, slack adjuster, 1/2 in.....	1202	CAM, steering gear, w/wheel TUBE and NUT, assembly	1401
BUSHING, rear axle brake spider.....	1202	CAMSHAFT, engine.....	0105.3
BUSHING, rear brake shoe.....	1202	CAMSHAFT, engine, w/NUT, assembly.....	0105.3
BUSHING, rear spring.....	1601	CAMSHAFT, front brake, L.H.....	1202
BUSHING, rear spring front bracket.....	1601	CAMSHAFT, front brake, R.H.....	1202
BUSHING, rear spring shackle.....	1601	CAMSHAFT, rear brake, L.H.....	1202
BUSHING, reducing, front axle housing breather.....	1005.5	CAMSHAFT, rear brake, R.H.....	1202
BUSHING, reducing, rear axle housing breather.....	1105.5	CAP, air supply valve.....	1208.8
BUSHING, relay valve diaphragm guide.....	1208.5	CAP, cranking motor, commutator end, w/BEARING, assembly.....	0603
BUSHING, relay valve supply valve.....	1208.5	CAP, distributor, assembly.....	0604.1
BUSHING, speedometer driven gear.....	0802.2	CAP, dust, front propeller shaft sleeve yoke.....	0900
BUSHING, spot light standard.....	0609.2	CAP, dust, intermediate and rear propeller shaft sleeve yoke.....	0900
BUSHING, steering cross tube end pin.....	1401	CAP, engine oil filler, assembly.....	0106.6
BUSHING, steering gear housing.....	1401	CAP, engine oil filler, w/CHAIN, assembly.....	0106.6
BUSHING, steering gear housing, inner.....	1401		
BUSHING, steering gear housing, outer.....	1401		
BUSHING, steering gear upper bracket.....	1401		
BUSHING, terminal, low pressure indicator.....	1208.4		
BUSHING, transmission fifth speed countershaft gear..	0702.3		
BUSHING, transmission main shaft third speed gear... ..	0702.2		

ALPHABETICAL INDEX (Cont'd)

Item	Group	Item	Group
CAP, front axle steering knuckle bearing, lower	1004	CLAMP, muffler, exhaust pipe end	0401
CAP, front axle steering knuckle bearing, upper	1004	CLAMP, muffler, tail pipe end	0401
CAP, fuel pump spring	0302	CLAMP, stop, carburetor floating lever (hand throttle)	0301
CAP, fuel tank, assembly	0306	CLAMP, winch rope	2001
CAP, fuel tank, w/CHAIN, assembly	0306	CLAMP, wire, carburetor air shutter bracket	0301
CAP, governor body	0308	CLIP, air brake tubing	1208
CAP, governor drive	0308	CLIP, battery cable (battery to magnetic switch)	0612
CAP, needle bearing, front propeller shaft	0900	CLIP, Bendix drive spring support	0603
CAP, needle bearing, intermediate and rear propeller shaft	0900	CLIP, cab door retainer	1803.1
CAP, power take-off drive shaft	2002	CLIP, choke and throttle control	0312
CAP, radiator expansion tank	0501	CLIP, cranking motor brush holder post	0603
CAP, radiator filler	0501	CLIP, cranking motor brush lead	0603
CAP, rear spring stud, outer	1601	CLIP, cranking motor field lead	0603
CAP, steering gear horn button contact	0611	CLIP, cranking motor series parallel switch "A" negative terminal	0603
CAP, transmission countershaft front bearing	0702.3	CLIP, cranking motor series parallel switch spring terminal stud	0603
CAP, transmission countershaft rear bearing housing	0702.3	CLIP, cranking motor series parallel switch terminal	0603
CAP, transmission drive shaft bearing	0702.1	CLIP, distributor breaker arm spring	0604.1
CAP, transmission main shaft rear bearing	0702.2	CLIP, dummy hose coupling chain (rear of body)	1211
CAP, transmission transfer declutch shaft bearing	0801	CLIP, engine oil line (oil pressure gage)	0106.6
CAP, transmission transfer idler shaft front bearing, assembly	0801	CLIP, engine oil line (viscometer to flexible line)	0106.6
CAP, transmission transfer idler shaft rear bearing	0801	CLIP, floorboard support	1805
CAP, transmission transfer main shaft rear bearing	0801	CLIP, front spring, front	1601
CAP, transmission transfer output shaft rear bearing	0801	CLIP, front spring, rear	1601
CAP, worm, winch, brake end	2001	CLIP, front spring rebound, long	1601
CAP, worm, winch, joint end	2001	CLIP, front spring rebound, short	1601
CARBURETOR, assembly	0301	CLIP, fuel line	0306
CARRIER, front axle differential, assembly	1002	CLIP, fuel pump link pin	0302
CARRIER, front axle differential, w/CAP, assembly	1002	CLIP, generator to regulator cable	0607
CARRIER, rear axle differential, assembly	1102	CLIP, head light cable	0607
CARRIER, rear axle differential, w/CAP, assembly	1102	CLIP, heat indicator cable	0607
CARRIER, transmission transfer declutch shaft bearing	0801	CLIP, heat indicator cable bracket	0607
CASE, air brake governor	1208.3	CLIP, ignition wire	0605
CASE, air brake governor, w/COVER, assembly	1208.3	CLIP, junction block to instrument panel, cable	0607
CASE, engine oil filter, w/inlet TUBE, assembly	0106.2	CLIP, loom, head light	0609.1
CASE, front axle differential, assembly	1002	CLIP, magnetic switch cable	0612
CASE, gear, winch	2001	CLIP, rear spring	1601
CASE, gear, winch, w/COVER, assembly	2001	CLIP, rear spring rebound, long	1601
CASE, power take-off, assembly	2002	CLIP, rear spring rebound, short	1601
CASE, rear axle differential, assembly	1102	CLIP, speedometer drive shaft	2208.1
CASE, transmission (bare)	0701	CLIP, spot light cable	0609.2
CASE, transmission, assembly	0701	CLIP, steering gear housing oil pipe	1401
CASE, transmission transfer, w/COVER, assembly	0801	CLIP, tachometer drive shaft	2208.2
CASE, winch brake, assembly	2001	CLIP, tail light cable	0613.1
CATCH, hood, assembly	1703	CLIP, toeboard support, L.H., assembly	1805
CATCH, hood, seat back	1806	CLIP, toeboard support, R.H., assembly	1805
CATCH, radiator filler door, w/BRACKET, assembly	1804	CLIP, trailer hose	1211
CHAIN, air supply valve cap	1208.8	CLIP, windshield wiper	2202
CHAIN, engine water pump flexible coupling	0109	CLUSTER, engine valve tappet	0105.2
CHAIN, pintle latch lock pin	1503	CLUTCH, driving, transmission transfer declutch	0802.3
CHAIN, sash, lifting shackle pin	1503	CLUTCH, driving, transmission transfer power take-off	0802.1
CHAMBER, air brake, front, L.H., assembly	1208.2	CLUTCH, sliding, transmission transfer declutch	0802.4
CHAMBER, air brake, front, R.H., assembly	1208.2	CLUTCH, sliding, winch	2001
CHAMBER, air brake, rear, L.H., assembly	1208.2	CLUTCH, w/driven DISK, assembly	0200
CHAMBER, air brake, rear, R.H., assembly	1208.2	COCK, drain, engine cylinder block	0101
CHANNEL, cab door glass felt, front	1803.1	COCK, shutoff, air brake trailer connections	1211
CHANNEL, cab door glass felt, rear	1803.1	COCK, shutoff, fuel filter inlet	0306
CLAMP, accelerator cross shaft	0312	COIL, cranking motor magnetic switch	0603
CLAMP, adjusting, gun ring support	1804	COIL, field, cranking motor, L.H., assembly	0603
CLAMP, carburetor intake pipe	0304	COIL, field, cranking motor, lower left	0603
CLAMP, engine oil pump suction line	0106.6	COIL, field, cranking motor, lower right	0603
CLAMP, engine oil pump suction line, w/BOLT and NUT, assembly	0106.6	COIL, field, cranking motor, R.H., assembly	0603
CLAMP, hand brake valve	1208.1	COIL, field, cranking motor, upper left	0603
CLAMP, hose, heat cable to water manifold	0607	COIL, field, cranking motor, upper right	0603
CLAMP, muffler	0401	COIL, field, generator, L.H., assembly	0601

ALPHABETICAL INDEX (Cont'd)

Item	Group	Item	Group
COIL, field, generator, R.H., assembly	0601	COUNTERSHAFT, transmission	0702.3
COIL, field, generator, left hand and right hand, assembly	0601	COUNTERSHAFT, transmission, w/GEARS, and BEARINGS, assembly	0702.3
COIL, generator regulator circuit breaker, assembly	0602	COUNTERSHAFT, transmission, w/NUTS, assembly	0702.3
COIL, generator regulator current regulator, assembly	0602	COUPLING, distributor shaft	0604.1
COIL, generator regulator voltage regulator, assembly	0602	COUPLING, dummy, trailer hose (on rear of cab)	1211
COIL, ignition, assembly	0605	COUPLING, dummy hose (with bleeder vent)	1211
COLLAR, dowel, engine valve tappet cluster	0105.2	COUPLING, dummy hose (without bleeder vent)	1211
COLLAR, governor spring	0308	COUPLING, flexible, engine water pump, assembly	0109
COLLAR, rear brake camshaft	1202	COUPLING, trailer air hose	1211
COLLAR, transmission transfer control shaft	0804	COVER, air brake governor	1208.3
COLLAR, transmission transfer hand lever control shaft	0804	COVER, air compressor inlet chamber	1209
COLLAR, winch drive shaft	2001	COVER, air compressor unloader box	1209
COMPRESSOR, air, assembly	1209	COVER, bearing, cranking motor commutator end head	0603
COMPRESSOR, air, w/FITTINGS, assembly	1209	COVER, blanking, relay valve	1208.5
CONDENSER, distributor, assembly	0604.1	COVER, cranking motor magnetic switch push rod	0603
CONDENSER, radio suppression, generator	0601	COVER, double check valve	1208.7
CONDENSER, radio suppression, ignition coil	0605	COVER, dust, air compressor diaphragm follower	1209
CONDENSER, radio suppression, regulator battery terminal	0602	COVER, end, air compressor, front	1209
CONE, tapered roller bearing, fan spindle	0505	COVER, end, air compressor, rear	1209
CONE, tapered roller bearing, front axle bevel pinion, forward	1002	COVER, engine crankcase viscometer opening	0101
CONE, tapered roller bearing, front axle bevel pinion, rear	1002	COVER, engine fuel pump opening	0101
CONE, tapered roller bearing, front axle differential	1002	COVER, engine gear case	0105.5
CONE, tapered roller bearing, front axle spur pinion, L.H.	1002	COVER, engine governor opening	0101
CONE, tapered roller bearing, front axle spur pinion, R.H.	1002	COVER, engine oil filter case	0106.2
CONE, tapered roller bearing, front axle steering knuckle	1004	COVER, engine oil filter case, assembly	0106.2
CONE, tapered roller bearing, front wheel, inner	1311	COVER, engine oil pump	0106.1
CONE, tapered roller bearing, front wheel, outer	1311	COVER, engine valve, front	0105.2
CONE, tapered roller bearing, rear axle differential	1102	COVER, engine valve, rear	0105.2
CONE, tapered roller bearing, rear axle spur pinion	1102	COVER, engine water pump flexible coupling chain connecting link	0109
CONE, tapered roller bearing, rear axle through shaft, forward	1102	COVER, fan, assembly	1703
CONE, tapered roller bearing, rear axle through shaft, rear	1102	COVER, foot brake valve, assembly	1208.1
CONE, tapered roller bearing, rear wheel	1311	COVER, front axle spur pinion bearing, L.H.	1002
CONE, tapered roller bearing, transmission countershaft, rear	0702.3	COVER, front axle spur pinion bearing, R.H.	1002
CONE, tapered roller bearing, transmission main shaft rear	0702.2	COVER, fuel pump	0302
CONE, tapered roller bearing, transmission transfer idler shaft	0802.2	COVER, fuel pump, bottom	0302
CONE, tapered roller bearing, transmission transfer output shaft, front	0802.3	COVER, fuel pump, top, w/valve SEAT, assembly	0302
CONE, tapered roller bearing, transmission transfer output shaft, rear	0802.3	COVER, generator commutator end	0601
CONNECTOR, air brake line to diaphragm hose	1208	COVER, generator regulator	0602
CONNECTOR, crankcase to governor oil line	0106.6	COVER, hand brake valve	1208.1
CONNECTOR, cranking motor terminal post	0603	COVER, inside cab door panel hand hole	1803.1
CONNECTOR, cranking motor to magnetic switch	0603	COVER, inspection, front wheel brake drum	1312
CONNECTOR, distributor terminal post	0604.1	COVER, inspection, rear wheel brake drum	1312
CONNECTOR, engine main oil discharge pipe (discharge pipe to cylinder block)	0106.6	COVER, junction block	0608
CONNECTOR, generator regulator series coil	0602	COVER, low pressure indicator	1208.4
CONNECTOR, ground, cranking motor	0603	COVER, lower, steering gear, w/oil seal TUBE, assembly	1401
CONNECTOR, head light, w/WIRING, assembly	0609.1	COVER, power take-off, assembly	2002
CONNECTOR, pipe, engine oil pump	0106.6	COVER, power take-off shaft oil seal	2002
CONNECTOR, single, horn	0607	COVER, quick release valve	1208.6
CONNECTOR, stop light switch terminal	1208.9	COVER, rear axle spur pinion bearing cage	1102
CONNECTOR, three-way, blackout lamp circuit	0607	COVER, rear axle through shaft forward bearing, w/oil SEAL, assembly	1102
CONNECTOR, three way, tail light circuit	0613.1	COVER, rear axle through shaft rear bearing	1102
CONNECTOR, windshield wiper	2202	COVER, relay valve	1208.5
CONTACT, generator regulator circuit breaker, w/stationary BRACKET, assembly	0602	COVER, side, steering gear housing	1401
CONTACT, plunger, distributor cap	0604.1	COVER, side, steering gear housing, assembly	1401
		COVER, slack adjuster body	1202
		COVER, starting switch circuit breaker	0608
		COVER, stop light switch	1208.9
		COVER, top, rear axle differential carrier	1102
		COVER, trailer socket (open cab only)	0617
		COVER, transmission, w/dowel PIN, assembly	0701
		COVER, transmission case	0701
		COVER, transmission gear shift lever socket	0704

ALPHABETICAL INDEX (Cont'd)

Item	Group	Item	Group
COVER, transmission power take-off opening	0701	D	
COVER, transmission rear gear shift rod, side	0704	DAMPENER, foot brake valve	1208.1
COVER, transmission rear gear shift rod, top	0704	DAMPENER, quick release valve	1208.6
COVER, transmission transfer gear shift shaft	0804	DECK, assembly	1805
COVER, unloader, air compressor	1209	DECK, rear	1805
COVER, upper, steering gear housing	1401	DEFLECTOR, dirt, front axle companion flange	1000
COVER, water pump	0504	DEFLECTOR, dirt, rear axle companion flange	1100
COVER, winch gear case	2001	DEFLECTOR, dirt, transmission transfer declutch shaft flange	0802.4
CRANK, bell, power take-off control	2002	DEFLECTOR, dirt, transmission transfer main shaft	0802.1
CRANKCASE, air compressor, complete	1209	DEFLECTOR, dirt, transmission transfer output shaft	0802.3
CRANKSHAFT, air compressor	1209	DIAPHRAGM, foot brake valve	1208.1
CRANKSHAFT, engine	0102	DIAPHRAGM, foot brake valve, assembly	1208.1
CROSS MEMBER, front, transmission transfer, assembly	0800	DIAPHRAGM, front air brake chamber	1208.2
CROSS MEMBER, front tubular, assembly	1501	DIAPHRAGM, fuel pump, assembly	0302
CROSS MEMBER, pintle, front	1501	DIAPHRAGM, low pressure indicator	1208.4
CROSS MEMBER, pintle, rear	1501	DIAPHRAGM, low pressure indicator, assembly	1208.4
CROSS MEMBER, radiator support	1501	DIAPHRAGM, pulsator, fuel pump	0302
CROSS MEMBER, rear	1501	DIAPHRAGM, quick release valve	1208.6
CROSS MEMBER, rear, transmission transfer, assembly	0800	DIAPHRAGM, rear air brake chamber	1208.2
CROSS MEMBER, rear spring bracket	1501	DIAPHRAGM, relay valve	1208.5
CUP, ball bearing, steering gear wheel tube	1401	DIAPHRAGM, stop light switch	1208.9
CUP, grease, water pump	0504	DIAPHRAGM, unloader, air compressor cylinder head	1209
CUP, oil, air cleaner, assembly	0304	DIFFERENTIAL, front axle, assembly	1002
CUP, piston, hand brake valve	1208.1	DIFFERENTIAL, front axle, w/spur GEAR, assembly	1002
CUP, screen, air brake governor	1208.3	DIFFERENTIAL, rear axle, assembly	1102
CUP, steering gear horn button contact	0611	DIFFERENTIAL, rear axle, w/spur GEAR, assembly	1102
CUP, tapered roller bearing, fan spindle	0505	DISK, brake, winch	2001
CUP, tapered roller bearing, front axle bevel pinion, forward	1002	DISK, clutch	0201
CUP, tapered roller bearing, front axle bevel pinion, rear	1002	DISK, clutch, w/FACING, assembly	0201
CUP, tapered roller bearing, front axle differential	1002	DISK, hand brake	1201
CUP, tapered roller bearing, front axle spur pinion, L.H.	1002	DISK, lead, water pump	0504
CUP, tapered roller bearing, front axle spur pinion, R.H.	1002	DISTRIBUTOR, assembly	0604.1
CUP, tapered roller bearing, front axle steering knuckle	1004	DOME, air, fuel pump	0302
CUP, tapered roller bearing, front wheel, inner	1311	DOOR, blackout driving light, assembly	0609.1
CUP, tapered roller bearing, front wheel, outer	1311	DOOR, blackout parking light, assembly	0609.1
CUP, tapered roller bearing, rear axle differential	1102	DOOR, blackout tail and blackout stop light, R.H., assembly	0609.1
CUP, tapered roller bearing, rear axle spur pinion	1102	DOOR, blackout tail and service tail and stop light, L.H., assembly	0609.1
CUP, tapered roller bearing, rear axle through shaft, forward	1102	DOOR, cab, w/HARDWARE and GLASS, L.H., assembly	1803.1
CUP, tapered roller bearing, rear axle through shaft, rear	1102	DOOR, cab, w/HARDWARE and GLASS, R.H., assembly	1803.1
CUP, tapered roller bearing, rear wheel	1311	DOOR, cab, w/SHELL, L.H., assembly	1803.1
CUP, tapered roller bearing, transmission countershaft, rear	0702.3	DOOR, cab, w/SHELL, R.H., assembly	1803.1
CUP, tapered roller bearing, transmission main shaft, rear	0702.2	DOOR, radiator filler, assembly	1804
CUP, tapered roller bearing, transmission transfer idler shaft	0802.2	DOVETAIL, cab door, female	1803.1
CUP, tapered roller bearing, transmission transfer output shaft, front	0802.3	DOVETAIL, cab door, male	1803.1
CUP, tapered roller bearing, transmission transfer output shaft, rear	0802.3	DRIVE, cranking motor, assembly	0603
CURTAIN, cab, rear, assembly	2201	DRIVE, universal, front axle, assembly	1006
CURTAIN, cab, side, L.H., assembly	2201	DRIVER, clutch, transmission third and fourth speeds	0702.2
CURTAIN, cab, side, R.H., assembly	2201	DRUM, brake, front wheel	1312
CUSHION, felt, cab door check	1806	DRUM, brake, rear wheel	1312
CUSHION, instrument panel bumper	0607	DRUM, winch, assembly	2001
CUSHION, radiator support, felt	0501	E	
CUSHION, rubber, cab door check	1806	ELBOW, air compressor discharge	1209
CUSHION, seat, L.H., assembly	1806	ELBOW, carburetor intake	0304
CUSHION, seat, R.H., assembly	1806	ELBOW, compression tube, crankcase to governor oil line	0106.6
CUSHION, seat back, L.H., assembly	1806	ELBOW, engine crankcase breather	0106.5
CUSHION, seat back, R.H., assembly	1806	ELBOW, engine water outlet	0503
		ELBOW, radiator inlet	0501
		ELBOW, radiator outlet	0501
		ELBOW, street, fuel pump outlet	0306
		ELBOW, unloader, air compressor	1209

ALPHABETICAL INDEX (Cont'd)

Item	Group	Item	Group
ELBOW, water pump inlet.....	0503	FLANGE, front axle steering knuckle, w/companion	
ELECTROLYTE, storage battery, specific gravity 1.275	0612	FLANGE, R.H., assembly.....	1004
ELEMENT, engine oil filter.....	0106.2	FLANGE, front axle steering knuckle, w/STUDS, L.H.,	
ELEMENT, fuel filter, assembly (brass).....	0309	assembly.....	1004
ELEMENT, fuel filter, assembly (paper).....	0309	FLANGE, front axle steering knuckle, w/STUDS, R.H.,	
EMBLEM, steering gear horn button.....	0611	assembly.....	1004
END, governor throttle rod (governor end).....	0308	FLANGE, transmission companion.....	0700
ENG, governor throttle rod (valve box end).....	0308	FLANGE, transmission transfer declutch shaft.....	0802.4
END, link, shock absorber, front and rear, assembly....	1604	FLANGE, transmission transfer declutch shaft, w/dirt	
END, steering cross tube, 12 thread, L.H.....	1401	DEFLECTOR, assembly.....	0802.4
END, steering cross tube, 16 thread, R.H.....	1401	FLANGE, transmission transfer main shaft.....	0802.1
ENGINE, complete, w/ACCESSORIES, assembly.....	0100	FLANGE, transmission transfer main shaft, w/dirt	
ENGINE, w/o ACCESSORIES, assembly.....	0100	DEFLECTOR, assembly.....	0802.1
ESCUTCHEON, cab door handle.....	1803.1	FLANGE, transmission transfer output shaft.....	0802.3
ESCUTCHEON, regulator handle.....	1803.1	FLANGE, transmission transfer shaft, w/dirt	
EXTENSION, engine support, rear.....	0100	DEFLECTOR, assembly.....	0802.3
EXTENSION, speedometer drive shaft.....	2208.1	FLAP, fender, assembly.....	1701
EYE, cab curtain patch.....	2201	FLOAT, carburetor, w/HINGE, assembly.....	0301
EYE BOLT, power take-off shift rod.....	2002	FLOORBOARD, metal, L.H., assembly.....	1805
EYE BOLT, roof bow clamp.....	2201	FLOORBOARD, metal, rear, R.H., assembly.....	1805
EYELET, terminal, head light.....	0609.1	FLOORBOARD, metal, R.H., assembly.....	1805
F			
FACING, clutch disk.....	0201	FLOORBOARD, metal, R.H., w/INSULATOR,	
FACING SET, clutch disk.....	0201	assembly.....	1805
FAN, ventilating, generator.....	0601	FLOORBOARD, wood, L.H., w/tee NUT, assembly....	1805
FAN, w/BRACKET, assembly.....	0505	FLOORBOARD, wood, R.H., assembly.....	1805
FAN, w/o BRACKET, assembly.....	0505	FLYWHEEL, engine.....	0103
FELT, battery cable, lower.....	1806	FLYWHEEL, engine, w/ring GEAR, assembly.....	0103
FELT, battery cable, upper.....	1806	FOLLOWER, air compressor diaphragm.....	1209
FELT, brake pedal finish plate.....	1806	FOLLOWER, piston, hand brake valve.....	1208.1
FELT, front axle steering knuckle.....	1004	FORK, transmission fifth speed gear shift.....	0704
FELT, front wheel bearing.....	1311	FORK, transmission first and second speed gear shift...	0704
FELT, gear shift finish plate, assembly.....	1806	FORK, transmission reverse gear shift.....	0704
FELT, rear wheel bearing.....	1311	FORK, transmission third and fourth speed gear shift...	0704
FELT, steering column finish plate.....	1806	FORK, transmission transfer declutch shift.....	0804
FENDER, front, L.H., assembly.....	1701	FORK, transmission transfer gear shift.....	0804
FENDER, front, R.H., assembly.....	1701	FRAME, battery hold down, assembly.....	0612
FENDER, rear quarter, front, L.H., assembly.....	1701	FRAME, cab, w/door GLASS, L.H., assembly.....	1803.1
FENDER, rear quarter, front, R.H., assembly.....	1701	FRAME, cab, w/door GLASS, R.H., assembly.....	1803.1
FENDER, rear quarter, rear, L.H., assembly.....	1701	FRAME, cranking motor, w/FIELD, assembly.....	0603
FENDER, rear quarter, rear, R.H., assembly.....	1701	FRAME, end, winch, L.H., assembly.....	2001
FERRULE, insulating, steering gear horn button.....	0611	FRAME, outer, windshield, assembly.....	1804
FERRULE, windshield wiper.....	2202	FRAME, rear window, cab, inside.....	1800
FIFTH WHEEL, assembly.....	1506	FRAME, w/BRACKETS, assembly.....	1501
FILLER, oil, front axle housing.....	1001	G	
FILTER, fuel, assembly.....	0309	GAGE, air pressure.....	0607
FILTER, oil, engine, assembly.....	0106.2	GAGE, bayonet, engine oil pan, assembly.....	0106.6
FILTER, radio suppression, dial unit, assembly.....	1804	GAGE, fuel.....	0607
FITTING, air brake governor.....	1208.3	GAGE, oil pressure.....	0607
FITTING, relief, front brake camshaft.....	1202	GAGE, viscometer.....	0607
FITTING, relief, front brake shoe anchor pin.....	1202	GASKET, air cleaner cup.....	0304
FITTING, relief, rear brake camshaft.....	1202	GASKET, air compressor box cover.....	1209
FITTING, relief, rear brake shoe anchor pin.....	1202	GASKET, air compressor bracket.....	1209
FLANGE, companion, front axle.....	1000	GASKET, air compressor crankcase oil seal.....	1209
FLANGE, companion, front axle, w/dirt DEFLECTOR,		GASKET, air compressor cylinder block.....	1209
assembly.....	1000	GASKET, air compressor cylinder head.....	1209
FLANGE, companion, rear axle.....	1100	GASKET, air compressor discharge elbow.....	1209
FLANGE, companion, rear axle, w/dirt DEFLECTOR,		GASKET, air compressor end cover.....	1209
assembly.....	1100	GASKET, air compressor inlet chamber.....	1209
FLANGE, engine main bearing, rear.....	0102	GASKET, air hose connector (brake chamber).....	1208
FLANGE, exhaust pipe.....	0401	GASKET, blackout parking light door.....	0609.1
FLANGE, front axle drive shaft.....	1006	GASKET, cab roof ventilator.....	1804
FLANGE, front axle steering knuckle, w/companion		GASKET, carburetor.....	0301
FLANGE, L.H., assembly.....	1004	GASKET, carburetor bowl to body.....	0301
		GASKET, carburetor cap jet and compensating jet.....	0301
		GASKET, carburetor channel screw.....	0301

ALPHABETICAL INDEX (Cont'd)

Item	Group	Item	Group
GASKET, carburetor filter plug.....	0301	GASKET, mounting, carburetor.....	0301
GASKET, carburetor fuel valve.....	0301	GASKET, mounting, engine exhaust manifold, inner, large.....	0108
GASKET, carburetor main discharge tube.....	0301	GASKET, mounting, engine exhaust manifold, outer, small.....	0108
GASKET, carburetor main jet.....	0301	GASKET, mounting, engine intake manifold.....	0108
GASKET, carburetor main jet adjustment.....	0301	GASKET, mounting, engine oil filter bracket.....	0106.2
GASKET, carburetor power and accelerating jet.....	0301	GASKET, mounting, fuel pump.....	0302
GASKET, carburetor union body.....	0301	GASKET, power take-off adapter to transmission.....	2002
GASKET, cowl side vent.....	1804	GASKET, power take-off cover.....	2002
GASKET, cranking motor series parallel switch cover.....	0603	GASKET, power take-off shaft cover.....	2002
GASKET, engine accessory drive shaft sleeve.....	0109	GASKET, power take-off to adapter.....	2002
GASKET, engine crankcase breather elbow.....	0106.5	GASKET, radiator expansion tank cap.....	0501
GASKET, engine crankcase viscometer opening cover.....	0101	GASKET, radiator inlet elbow.....	0501
GASKET, engine cylinder head.....	0101	GASKET, radiator outlet elbow.....	0501
GASKET, engine cylinder oil orifice.....	0106.6	GASKET, rear axle differential carrier inspection plug..	1102
GASKET, engine flywheel housing.....	0103	GASKET, rear axle differential carrier to housing.....	1102
GASKET, engine gear case cover.....	0105.5	GASKET, rear axle differential carrier top cover.....	1102
GASKET, engine governor opening cover.....	0101	GASKET, rear axle drive shaft flange.....	1104
GASKET, engine intake manifold heat box to exhaust manifold.....	0108	GASKET, rear axle spur pinion bearing cover.....	1102
GASKET, engine intake manifold heat box to intake manifold.....	0108	GASKET, rear axle through shaft forward bearing cover	1102
GASKET, engine oil filter case.....	0106.2	GASKET, rear axle through shaft rear bearing cover....	1102
GASKET, engine oil filter case cover.....	0106.2	GASKET, relay valve blanking cover.....	1208.5
GASKET, engine oil filter case cover screw.....	0106.2	GASKET, relay valve cover.....	1208.5
GASKET, engine oil pan.....	0106.6	GASKET, single check valve.....	1208.7
GASKET, engine oil pan drain plug.....	0106.6	GASKET, spark plug, 14 mm.....	0605
GASKET, engine oil pan oil strainer and water trap....	0106.6	GASKET, steering gear housing side cover.....	1401
GASKET, engine oil pressure relief valve adjusting screw	0106.4	GASKET, thermostat housing.....	0503
GASKET, engine oil pump main discharge pipe.....	0106.6	GASKET, thermostat, rubber.....	0503
GASKET, engine oil pump suction line flange.....	0106.6	GASKET, trailer air hose connector.....	1211
GASKET, engine valve cover.....	0105.2	GASKET, trailer air hose coupling.....	1211
GASKET, engine water outlet elbow.....	0503	GASKET, transmission case cover.....	0701
GASKET, engine water outlet manifold.....	0503	GASKET, transmission drive shaft bearing cap.....	0702.1
GASKET, exhaust pipe flange.....	0401	GASKET, transmission gear shift lever housing.....	0701
GASKET, fan bearing.....	0505	GASKET, transmission power take-off opening cover...	0701
GASKET, fan hub.....	0505	GASKET, transmission rear gear shift rod cover.....	0704
GASKET, fan spacer.....	0505	GASKET, transmission transfer case cover.....	0801
GASKET, foot brake valve exhaust valve.....	1208.1	GASKET, transmission transfer declutch shaft bearing cap.....	0801
GASKET, foot brake valve intake valve seat.....	1208.1	GASKET, transmission transfer declutch shaft bearing carrier.....	0801
GASKET, front axle bevel pinion bearing cage.....	1002	GASKET, transmission transfer gear shift shaft cover...	0804
GASKET, front axle differential carrier inspection plug..	1002	GASKET, transmission transfer idler shaft bearing cap, front and rear.....	0801
GASKET, front axle differential carrier to housing.....	1002	GASKET, transmission transfer main shaft front bearing cage.....	0801
GASKET, front axle drive shaft flange.....	1006	GASKET, transmission transfer main shaft rear bearing cap.....	0801
GASKET, front axle drive shaft retainer.....	1006	GASKET, transmission transfer output shaft rear bearing cap.....	0801
GASKET, front axle drive shaft seal retainer.....	1006	GASKET, water pump cover.....	0504
GASKET, front axle housing oil filler plug.....	1001	GASKET, water pump discharge manifold.....	0503
GASKET, front axle spur pinion bearing cage.....	1002	GASKET, water pump inlet elbow.....	0503
GASKET, front axle spur pinion bearing cover, L.H....	1002	GASKET, winch gear case cover.....	2001
GASKET, front axle spur pinion bearing cover, R.H....	1002	GASKET, winch worm cap.....	2001
GASKET, front propeller shaft journal.....	0900	GASKET, windshield wiper.....	2202
GASKET, fuel filter bowl.....	0309	GASKET SET, air compressor.....	1209
GASKET, fuel filter bowl nut.....	0309	GASKET SET, carburetor.....	0301
GASKET, fuel pump air dome and valve plug.....	0302	GASKET SET, engine manifold.....	0108
GASKET, fuel pump bottom cover.....	0302	GASKET SET, engine oil pan.....	0106.6
GASKET, fuel pump bowl.....	0302	GASKET SET, engine overhaul.....	0100
GASKET, fuel pump pull rod.....	0302	GASKET SET, engine valve grinding.....	0100
GASKET, fuel pump valve plate.....	0302	GASKET SET, front axle.....	1000
GASKET, fuel tank gage unit.....	0306	GASKET SET, rear axle.....	1100
GASKET, generator commutator end cover.....	0601	GASKET SET, transmission.....	0700
GASKET, generator regulator cover.....	0602	GASKET SET, transmission transfer.....	0800
GASKET, generator regulator terminal.....	0602		
GASKET, governor body.....	0308		
GASKET, governor to manifold.....	0308		
GASKET, governor valve box cover plate.....	0308		
GASKET, intermediate and rear propeller shaft journal.	0900		
GASKET, mounting, air compressor.....	1209		

ALPHABETICAL INDEX (Cont'd)

Item	Group	Item	Group
GEAR, bevel, front axle.....	1002	GROMMET, felt, ignition.....	0605
GEAR, bevel, rear axle.....	1102	GROMMET, generator to regulator cable.....	0613.1
GEAR, drive, engine accessory drive shaft.....	0109	GROMMET, head light.....	0609.1
GEAR, drive, engine oil pump, inside.....	0106.1	GROMMET, head light cable.....	0607
GEAR, drive, engine oil pump, outside.....	0106.1	GROMMET, rubber, ignition.....	0605
GEAR, drive, governor.....	0308	GROMMET, spot light cable.....	0609.2
GEAR, drive, speedometer.....	0802.2	GROMMET, tail light cable.....	0613.1
GEAR, drive, transmission countershaft.....	0702.3	GUARD, brush, radiator and head light, assembly.....	2101
GEAR, driven, governor.....	0308	GUARD, oil, generator commutator end.....	0601
GEAR, driven, speedometer.....	0802.2	GUARD, radiator, assembly.....	2101
GEAR, driven, tachometer-distributor.....	0604.1	GUARD, starting switch.....	1801
GEAR, driven, transmission transfer output shaft.....	0802.3	GUARD, winch rope.....	2001
GEAR, driving, transmission power take-off.....	0702.3	GUIDE, air brake governor upper valve.....	1208.3
GEAR, engine accessory drive shaft distributor drive.....	0109	GUIDE, ball, single check valve.....	1208.7
GEAR, engine camshaft.....	0105.4	GUIDE, engine exhaust valve.....	0105.1
GEAR, engine crankshaft.....	0105.5	GUIDE, engine intake valve.....	0105.1
GEAR, engine idler shaft.....	0105.5	GUIDE, foot brake valve spring.....	1208.1
GEAR, engine oil pump idler shaft.....	0106.1	GUIDE, hand brake lever pawl rod.....	1201
GEAR, fifth speed, transmission countershaft.....	0702.3	GUIDE, relay valve diaphragm.....	1208.5
GEAR, fifth speed, transmission countershaft, w/BUSHING, assembly.....	0702.3	GUIDE, spring, water pump impeller seal.....	0504
GEAR, fifth speed, transmission main shaft.....	0702.2	GUSSET, front bumper.....	2101
GEAR, generator driven.....	0601	GUSSET, front bumper, L.H.....	2101
GEAR, idler, power take-off (14 and 14 teeth).....	2002	GUSSET, front bumper, R.H.....	2101
GEAR, intermediate, power take-off (22 and 14 teeth).....	2002	GUSSET, pintle cross member, bottom.....	1501
GEAR, low speed, transmission transfer idler shaft.....	0802.2	GUSSET, pintle cross member, top.....	1501
GEAR, low speed sliding, transmission transfer main shaft.....	0802.1	GUSSET, rear cross member.....	1501
GEAR, main drive, transmission transfer.....	0801.2	GUSSET, rear cross member, bottom.....	1501
GEAR, power take-off adapter (22 teeth).....	2002	GUSSET, rear cross member, top.....	1501
GEAR, reverse, transmission.....	0702.3	H	
GEAR, reverse, transmission, w/needle BEARINGS, assembly.....	0702.3	HAIR, curled, fuel pump.....	0302
GEAR, ring, engine flywheel.....	0103	HANDLE, cab door, inside.....	1803.1
GEAR, side, front axle differential.....	1002	HANDLE, cab door, outside.....	1803.1
GEAR, side, rear axle differential.....	1102	HANDLE, floorboard insert.....	1805
GEAR, slide, transmission first and second speed, assembly.....	0702.2	HANDLE, grab, cab, inside.....	1800
GEAR, slide, transmission first speed.....	0702.2	HANDLE, grab, cab, outside.....	1800
GEAR, slide, transmission second speed.....	0702.2	HANDLE, hand brake valve.....	1208.1
GEAR, sliding, power take-off (28 and 20 teeth).....	2002	HANDLE, operating, fifth wheel.....	1506
GEAR, spur, front axle (8.148 ratio).....	1002	HANDLE, radiator filler door.....	1804
GEAR, spur, rear axle (8.148 ratio).....	1102	HANDLE, roof bow clamp.....	2201
GEAR, steering, w/WHEEL and ARM, assembly.....	1401	HANDLE, window regulator.....	1803.1
GEAR, steering, w/o WHEEL and ARM, assembly (Ross Model T74).....	1401	HANGER, adjustable, seat, L.H., assembly.....	1806
GEAR, third speed, transmission countershaft.....	0702.3	HANGER, stationary, seat, R.H., assembly.....	1806
GEAR, third speed, transmission main shaft.....	0702.2	HEAD, Bendix drive.....	0603
GEAR, third speed, transmission main shaft, w/BUSHING, assembly.....	0702.2	HEAD, cranking motor, commutator end.....	0603
GEAR, transmission transfer idler shaft.....	0802.2	HEAD, cranking motor, commutator end, assembly.....	0603
GEAR, worm, slack adjuster.....	1202	HEAD, cranking motor, commutator end, partial assembly.....	0603
GEAR, worm, winch, L.H.....	2001	HEAD, cylinder, air compressor, complete.....	1209
GEAR SET, bevel, front axle.....	1002	HEAD, engine cylinder, front.....	0101
GEAR SET, bevel, rear axle.....	1102	HEAD, engine cylinder, rear.....	0101
GEAR SET, speedometer.....	0802.2	HEAD, fuel filter.....	0309
GENERATOR, assembly.....	0601	HEAD, generator commutator end, assembly.....	0601
GENERATOR, w/GEAR, assembly.....	0601	HEAD, generator drive end.....	0601
GLAND, water pump.....	0504	HEAD, generator drive end, assembly.....	0601
GLASS, cab, rear window.....	1803.1	HEAD, speedometer, assembly.....	2208.1
GLASS, windshield.....	1804	HEAD, tachometer, assembly.....	2208.2
GOVERNOR, air brake, assembly.....	1208.3	HEAT BOX, engine intake manifold.....	0108
GOVERNOR, assembly.....	0308	HINGE, cab door, L.H.....	1803.1
GRILLE, head light, L.H., assembly.....	2101	HINGE, cab door, R.H.....	1803.1
GRILLE, head light, R.H., assembly.....	2101	HOLDER, brush, cranking motor.....	0603
GROMMET, blackout driving light.....	0609.1	HOLDER, chart, cab, assembly.....	1800
GROMMET, blackout parking light.....	0609.1	HOLDER, rifle, assembly.....	1804
		HOOD, instrument panel light.....	0607
		HOOD, motor, assembly.....	1703
		HOOD, motor, rear, assembly.....	1703

ALPHABETICAL INDEX (Cont'd)

Item	Group	Group	Group
HOOK, cab, tarpaulin.....	2201	INSULATOR, spring, cranking motor.....	0603
HOOK, "S," pintle latch lock pin.....	1503	INSULATOR, transmission transfer support, front.....	0800
HOOK, seat back hood catch.....	1806	INSULATOR, transmission transfer support, rear.....	0800
HOOK, towing, L.H.....	1503	IRON, front fender, L.H.....	1701
HOOK, towing, R.H.....	1503	IRON, front fender, R.H.....	1701
HORN, dual electric, assembly.....	0611	IRON, rear quarter fender, front, L.H.....	1701
HORN, electric.....	0611	IRON, rear quarter fender, front, R.H.....	1701
HOSE, air, assembly (112½ in. long, for semi-trailer)....	1211	J	
HOSE, air brake, ¾ in. O.D. x ⅜ in. I.D., to brake chambers.....	1208	JAW, coupler, fifth wheel, left.....	1506
HOSE, air brake, ¾ in. O.D. x ⅜ in. I.D., trailer hose .	1211	JAW, coupler, fifth wheel, right.....	1506
HOSE, air gage, assembly.....	1208	JAW, transmission first and second speed gear shift rod..	0704
HOSE, rubber, windshield wiper, lower.....	2202	JET, cap, carburetor, assembly, No. 38.....	0301
HOSE, rubber, windshield wiper, upper, L.H.....	2202	JET, compensating, carburetor, No. 32.....	0301
HOSE, rubber, windshield wiper, upper, R.H.....	2202	JET, idling, carburetor, assembly, No. 16.....	0301
HOSE, tire inflation, assembly (30 ft.).....	1208	JET, main, carburetor, No. 32.....	0301
HOUSING, clutch.....	0200	JET, power and accelerating, carburetor, No. 25, assembly	0301
HOUSING, clutch, w/BUSHINGS, assembly.....	0200	JOINT, slip, front propeller shaft, assembly.....	0900
HOUSING, engine distributor support.....	0109	JOINT, slip, intermediate propeller shaft, assembly.....	0900
HOUSING, engine flywheel.....	0103	JOINT, slip, rear propeller shaft, assembly.....	0900
HOUSING, front axle, assembly.....	1001	JOINT, universal, winch drive shaft, take-off end (slip type).....	2001
HOUSING, pinion, cranking motor, assembly.....	0603	JOINT, universal, winch drive shaft, worm end (fixed type).....	2001
HOUSING, rear axle, assembly.....	1101	JOURNAL, front propeller shaft, w/oil SEAL, assembly	0900
HOUSING, steering gear, assembly.....	1401	JOURNAL, intermediate and rear propeller shaft, w/oil SEAL, assembly.....	0900
HOUSING, thermostat.....	0503	K	
HOUSING, transmission countershaft rear bearing.....	0702.3	KEEPER, front spring clip.....	1601
HOUSING, transmission gear shift lever.....	0701	KEEPER, rear spring clip.....	1601
HOUSING, transmission main shaft rear bearing.....	0702.2	KEEPER, lifting shackle pin.....	1503
HUB, clutch disk.....	0201	KEY, air compressor pulley.....	1209
HUB, engine water pump flexible coupling (accessory drive shaft).....	0109	KEY, air supply valve.....	1208.8
HUB, engine water pump flexible coupling (pump shaft)	0109	KEY, engine idler shaft gear.....	0105.5
HUB, fan, w/SPINDLE, assembly.....	0505	KEY, rear axle bevel gear.....	1102
HUB, front wheel, w/CUP, assembly.....	1312	KEY, speedometer drive gear.....	0802.2
HUB, rear wheel, w/CUP, assembly.....	1312	KEY, transmission countershaft drive gear.....	0702.3
HUB, rear wheel, w/DRUM, L.H., assembly.....	1312	KEY, transmission power take-off driving gear.....	0702.3
HUB, rear wheel, w/DRUM, R.H., assembly.....	1312	KEY, transmission reverse gear sleeve.....	0702.3
HUB, rear wheel, w/STUD, L.H., assembly.....	1312	KEY, transmission third speed countershaft gear.....	0702.3
HUB, rear wheel, w/STUD, R.H., assembly.....	1312	KEY, transmission transfer idler shaft gear.....	0802.2
HUB and PULLEY, fan.....	0505	KEY, transmission transfer idler shaft low speed gear...	0802.2
I			
IMPELLER, water pump.....	0504	KEY, transmission transfer main shaft flange.....	0802.1
INDICATOR, heat, including thermocouple and cable .	0607	KEY, transmission transfer output shaft driven gear...	0802.3
INDICATOR, low pressure, assembly.....	1208.4	KEY, transmission transfer output shaft flange.....	0802.3
INSERT, engine exhaust valve seat.....	0105.1	KEY, winch brake disk.....	2001
INSERT, floorboard, assembly.....	1805	KEY, winch clutch.....	2001
INSERT, toeboard.....	1805	KEY, winch drive shaft.....	2001
INSERT, toeboard, assembly.....	1805	KEY, winch worm gear.....	2001
INSULATION, cranking motor field coil.....	0603	KEY, Woodruff, generator armature shaft commutator end.....	0601
INSULATION, cranking motor field lead.....	0603	KIT, repair, air brake governor.....	1208.3
INSULATION, distributor terminal post, inner.....	0604.1	KIT, repair, air compressor cylinder head.....	1209
INSULATOR, armature terminal, inner.....	0601	KIT, repair, carburetor.....	0301
INSULATOR, armature terminal, outer.....	0601	KIT, repair, clutch cover.....	0201
INSULATOR, cranking motor series parallel switch cover.....	0603	KIT, repair, cranking motor brush and bushing.....	0603
INSULATOR, cranking motor terminal post cover.....	0603	KIT, repair, cranking motor drive.....	0603
INSULATOR, cranking motor terminal post frame.....	0603	KIT, repair, cranking motor field coil.....	0603
INSULATOR, engine support, rear, lower.....	0100	KIT, repair, cranking motor magnetic switch.....	0603
INSULATOR, engine support, rear, upper.....	0100	KIT, repair, distributor.....	0604.1
INSULATOR, field terminal.....	0601	KIT, repair, double check valve.....	1208.7
INSULATOR, generator field connection.....	0601	KIT, repair, engine mounting.....	0100
INSULATOR, generator regulator circuit breaker station- ary bracket.....	0602	KIT, repair, engine oil pump.....	0106.1
INSULATOR, generator regulator terminal.....	0602	KIT, repair, engine water pump coupling chain link.....	0109
INSULATOR, spacing, cranking motor brush holder....	0603	KIT, repair, fan.....	0505

ALPHABETICAL INDEX (Cont'd)

Item	Group	Item	Group
KIT, repair, foot brake valve	1208.1	LEAF, rear spring	1601
KIT, repair, front air brake chamber	1208.2	LEAF, rear spring main and second, assembly	1601
KIT, repair, front axle differential	1002	LEATHER, piston, windshield wiper	2202
KIT, repair, front propeller shaft	0900	LENS, spot light	0609.2
KIT, repair, fuel pump	0302	LEVER, accelerator cross shaft carburetor control rod	0312
KIT, repair, generator	0601	LEVER, accelerator cross shaft treadle rod	0312
KIT, repair, generator field coil	0601	LEVER, brake pedal	1206
KIT, repair, generator regulator circuit breaker	0602	LEVER, brake pedal, w/BUSHINGS, assembly	1206
KIT, repair, generator regulator current regulator	0602	LEVER, carburetor air shutter	0301
KIT, repair, generator regulator voltage regulator	0602	LEVER, carburetor air shutter, w/SWIVEL, assembly	0301
KIT, repair, governor	0308	LEVER, carburetor floating, w/SWIVEL, assembly (hand throttle)	0301
KIT, repair, hand brake lining	1201	LEVER, carburetor throttle	0301
KIT, repair, hand brake valve	1208.1	LEVER, carburetor throttle stop	0301
KIT, repair, horn button	0611	LEVER, clutch control shaft	0202
KIT, repair, intermediate and rear propeller shaft	0900	LEVER, clutch pedal	0202
KIT, repair, low pressure indicator	1208.4	LEVER, clutch pedal, w/BUSHINGS, assembly	0202
KIT, repair, quick release valve	1208.6	LEVER, clutch release trunnion block	0202
KIT, repair, rear air brake chamber	1208.2	LEVER, foot brake valve	1208.1
KIT, repair, rear axle differential	1100	LEVER, governor throttle	0308
KIT, repair, relay valve major overhaul	1208.5	LEVER, governor valve shaft	0308
KIT, repair, relay valve minor overhaul	1208.5	LEVER, hand, power take-off control	2002
KIT, repair, series parallel switch	0603	LEVER, hand, transmission transfer declutch shift	0804
KIT, repair, single check valve	1208.7	LEVER, hand, transmission transfer gear shift	0804
KIT, repair, stop light switch	1208.9	LEVER, hand, transmission transfer gear shift, w/BUSHING, assembly	0804
KIT, repair, transmission transfer seal	0800	LEVER, hand brake	1201
KIT, repair, water pump	0504	LEVER, hand brake, assembly	1201
KIT, repair, windshield wiper	2202	LEVER, hand brake operating	1201
KNOB, adjusting, windshield frame	1804	LEVER, hand brake push rod	1201
KNOB, binding, cab top, small	2201	LEVER, hand brake shaft, w/BUSHING, assembly	1201
KNOB, blackout lighting switch, w/set SCREW, assembly	0608	LEVER, hand brake transfer, w/BUSHING, assembly	1201
KNOB, control, blackout driving light switch	0608	LEVER, pressure, clutch	0202
KNOB, instrument panel light switch	0608	LEVER, primary, windshield wiper	2202
KNOB, winch poppet	2001	LEVER, priming, fuel pump	0302
KNUCKLE, steering, front axle, w/BUSHING, assembly	1004	LEVER, stop, clutch control shaft	0202
L			
LAMP, clearance and dome light	0609.2	LEVER, transfer, power take-off control	2002
LAMP, electric, double contact, 6-8 v. (blackout parking light)	0609.1	LEVER, transmission gear shift	0704
LAMP, electric, single contact, 1 c.p., 6-8 v. (instrument panel light)	0607	LEVER, transmission gear shift, assembly	0704
LAMP, electric, single contact, 6 v. (blackout parking light)	0609.1	LEVER, transmission transfer declutch shift	0804
LAMP, electric, spotlight	0609.2	LEVER, transmission transfer declutch shift control shaft	0804
LAMP-UNIT, blackout driving light, sealed, 6 v.	0609.1	LEVER, transmission transfer declutch shift cross shaft	0804
LAMP-UNIT, blackout stop, sealed, one-opening, 6 v., 3 cp., R.H., assembly	0609.1	LEVER, transmission transfer declutch shift cross shaft, w/BUSHING, assembly	0804
LAMP-UNIT, blackout tail, sealed, 4-opening, 6 v., 3 cp., R.H., assembly	0609.1	LEVER, unloader, air compressor	1209
LAMP-UNIT, sealed beam, head light, 6 v., assembly	0609.1	LID, battery box	0612
LAMP-UNIT, service tail and stop, sealed, 6 v., 21-3 cp., L.H., assembly	0609.1	LID, cowl side vent, w/HANDLE, assembly	1804
LATCH, fifth wheel plunger lock	1506	LIGHT, blackout driving, assembly	0609.1
LATCH, pintle	1503	LIGHT, blackout parking, 6 v., assembly	0609.1
LATCH, safety, fifth wheel plunger	1506	LIGHT, blackout tail and blackout stop, 6 v., 7/8 in. long mtg stud, R.H., assembly	0609.1
LEAD, cranking motor field coil, assembly	0603	LIGHT, blackout tail and service tail and stop, 6 v., 7/8 in. long mtg. stud, L.H., assembly	0609.1
LEAD, generator armature terminal, assembly	0601	LIGHT, clearance, amber, assembly	0609.2
LEAD, generator regulator current regulator and voltage regulator armature to base	0602	LIGHT, clearance, red, assembly	0609.2
LEAD, generator regulator current regulator armature to voltage regulator armature	0602	LIGHT, dome, blackout, assembly	0609.2
LEAF, front spring	1601	LIGHT, head, assembly, 6 v.	0609.1
LEAF, front spring main and second, assembly	1601	LIGHT, spot, assembly	0609.2
LEAF, front spring rebound	1601	LINE, clutch oil, assembly (steel tubing)	0202
LEAF, rear auxiliary spring	1602	LINE, clutch oil, lower, assembly	0202
		LINE, clutch oil, upper	0202
		LINE, engine oil, assembly (crankcase to governor)	0106.6
		LINE, engine oil, assembly (oil pressure gage to flexible line)	0106.6

ALPHABETICAL INDEX (Cont'd)

Item	Group	Item	Group
LINE, engine oil, assembly (oil pressure line to viscometer).....	0106.6	LOOM, fabric, air brake lines.....	1208
LINE, engine oil, assembly (viscometer gage to flexible line).....	0106.6	LOOM, fabric, windshield wiper.....	2202
LINE, engine oil, assembly (viscometer to flexible line).....	0106.6	LOOM, flexible fuel line.....	0306
LINE, engine oil pump front suction, assembly.....	0106.6	LOOM, fuel line, front tank to filter.....	0306
LINE, engine oil pump rear suction, assembly.....	0106.6	LOOM, fuel line, pump to carburetor.....	0306
LINE, flexible, engine oil pressure, assembly.....	0106.6	LOOM, fuel line, rear tank to union.....	0306
LINE, flexible, fuel, assembly (fuel filter to pump).....	0306	LOOM, head light wire cover.....	0609.1
LINE, flexible, fuel, w/ELBOW, assembly (fuel tank equalizing line).....	0306	LOOM, rear fuel line, union to filter.....	0306
LINE, fuel, w/LOOM, assembly (front fuel tank to filter).....	0306	LOOM, spot light cable.....	0609.2
LINE, fuel, w/LOOM, assembly (fuel pump to carburetor).....	0306		
LINE, fuel, w/LOOM, assembly (rear fuel line, union to filter).....	0306	M	
LINE, fuel, w/LOOM, assembly (rear fuel tank to union).....	0306	MANIFOLD, air brake lines.....	1208
LINE, fuel, w/LOOM and FITTINGS, assembly (fuel pump to carburetor).....	0306	MANIFOLD, engine intake.....	0108
LINE, fuel tank vent pipe.....	0306	MANIFOLD, engine exhaust.....	0108
LINE, oil, flexible, engine viscometer, assembly.....	0106.6	MANIFOLD, engine water outlet.....	0503
LINE, water, air compressor to water manifold.....	0503	MANIFOLD, water pump discharge.....	0503
LINE, water, air compressor to water manifold assembly.....	0503	MAT, floorboard, L.H., assembly.....	1806
LINE, water, water pump to air compressor.....	0503	MAT, floorboard, R.H., assembly.....	1806
LINE, water, water pump to air compressor, assembly.....	0503	MAT, floorboard insert, assembly.....	1806
LINING, front brake shoe.....	1202	MAT, toeboard, L.H., assembly.....	1806
LINING, hand brake shoe.....	1201	MAT, toeboard, R.H., assembly.....	1806
LINING, rear brake shoe.....	1202	MIRROR, rear view, inside, assembly.....	2202
LINING, winch brake, w/RIVETS, assembly.....	2001	MIRROR, rear view, outside, assembly.....	2202
LINING, winch drag brake, w/RIVETS, assembly.....	2001	MOLDING, cab door window garnish, L.H.....	1803.1
LINK, accelerator retracting spring, front.....	0312	MOLDING, cab door window garnish, R.H.....	1803.1
LINK, accelerator retracting spring, rear.....	0312	MOLDING, cab roof, rear.....	1803.1
LINK, air supply valve cap chain.....	1208.8	MOLDING, drip, cab, L.H.....	1803.1
LINK, brake pedal control shaft retracting spring.....	1206	MOLDING, drip, cab, R.H.....	1803.1
LINK, cab door check.....	1803.1	MOLDING, head light, assembly.....	0609.1
LINK, clutch control shaft lever spring.....	0202	MOTOR, cranking, assembly.....	0603
LINK, clutch trunnion block retracting spring.....	0202	MOTOR, windshield wiper, assembly.....	2202
LINK, connecting, engine water pump flexible coupling chain.....	0109	MUFFLER, assembly.....	0401
LINK, control, transmission transfer declutch shift.....	0804		
LINK, drag, steering, assembly.....	1401	N	
LINK, front, shock absorber.....	1604	NIPPLE, ignition wire.....	0605
LINK, front, shock absorber, assembly.....	1604	NUT, adjusting, air brake safety valve.....	1208.8
LINK, front brake show.....	1202	NUT, adjusting, engine accessory drive shaft.....	0109
LINK, fuel pump.....	0302	NUT, adjusting, engine camshaft thrust plunger.....	0105.3
LINK, hand brake, L.H., w/SHOES, assembly.....	1201	NUT, adjusting, engine idler shaft gear thrust plunger.....	0105.5
LINK, hand brake, R.H., w/SHOES, assembly.....	1201	NUT, adjusting, front wheel bearing, assembly.....	1311
LINK, rear, shock absorber, L.H.....	1604	NUT, adjusting, generator regulator circuit breaker armature spring.....	0602
LINK, rear, shock absorber, L.H., assembly.....	1604	NUT, adjusting, generator regulator current regulator armature spring.....	0602
LINK, rear, shock absorber, R.H.....	1604	NUT, adjusting, generator regulator voltage regulator armature spring.....	0602
LINK, rear, shock absorber, R.H., assembly.....	1604	NUT, adjusting, rear axle differential bearing.....	1102
LINK, trailer hose spring (rear of body).....	1211	NUT, adjusting, rear wheel bearing assembly.....	1311
LOCK, adjusting, rear axle differential bearing.....	1102	NUT, air compressor connecting rod.....	1209
LOCK, cab door, L.H.....	1803.1	NUT, air compressor cylinder block stud.....	1209
LOCK, cab door, R.H.....	1803.1	NUT, air compressor end cover stud.....	1209
LOCK, engine water pump flexible coupling chain connecting link.....	0109	NUT, air compressor pulley.....	1209
LOCK, front axle differential bearing adjusting ring.....	1002	NUT, camshaft gear.....	0105.4
LOCK, hinge, power take-off lever, assembly.....	1805	NUT, cap, air compressor cylinder head discharge, w/SPRING, assembly.....	1209
LOCK, pintle.....	1503	NUT, cap, discharge, air compressor.....	1209
LOCK, rear brake shoe anchor pin.....	1202	NUT, cap, engine oil pressure relief valve adjusting screw.....	0106.4
LOCK, tachometer.....	2208.2	NUT, cap, front wheel hub stud, inner, L.H.....	1311
LOCK, water pump packing nut.....	0504	NUT, cap, front wheel hub stud, inner, R.H.....	1311
LOOM, blackout parking light cable.....	0609.1	NUT, cap, front wheel hub stud, outer, L.H.....	1311
		NUT, cap, front wheel hub stud, outer, R.H.....	1311
		NUT, cap, hand brake valve.....	1208.1
		NUT, cap, relay valve supply valve.....	1208.5
		NUT, cap, single check valve.....	1208.7
		NUT, carburetor air shutter bracket wire clamp screw.....	0301
		NUT, carburetor air shutter shaft.....	0301

ALPHABETICAL INDEX (Cont'd)

Item	Group	Item	Group
NUT, clamp, fan spindle, rear.....	0505	NUT, rear axle differential carrier and cap stud.....	1102
NUT, cranking motor ground brush lead.....	0603	NUT, rear spring clip.....	1601
NUT, cranking motor head band.....	0603	NUT, rear spring cross shaft.....	1601
NUT, cranking motor head band mounting screw.....	0603	NUT, rear spring rebound clip.....	1601
NUT, cranking motor magnetic switch base mounting screw.....	0603	NUT, relay valve guide screw.....	1208.5
NUT, cranking motor series parallel switch contact mounting.....	0603	NUT, ring, foot brake valve.....	1208.1
NUT, cranking motor terminal post.....	0603	NUT, spherical, hand brake lever arm tie rod.....	1201
NUT, cranking motor terminal stud.....	0603	NUT, steering cross tube end pin.....	1401
NUT, crankshaft flywheel bolt.....	0103	NUT, steering gear lever shaft stud and roller bearing unit.....	1401
NUT, engine connecting rod cap stud.....	0104	NUT, steering gear wheel.....	1401
NUT, engine oil gage line.....	0106.6	NUT, stop light switch.....	1208.9
NUT, engine valve tappet adjusting screw.....	0105.2	NUT, strainer, air brake governor.....	1208.3
NUT, engine viscometer gage.....	0106.6	NUT, thumb, fuel pump bail.....	0302
NUT, engine viscometer gage line.....	0106.6	NUT, transmission companion flange.....	0700
NUT, exhaust pipe flange.....	0401	NUT, transmission gear shaft lockout plunger spring.....	0704
NUT, fan adjusting screw.....	0505	NUT, transmission transfer declutch shaft flange.....	0802.4
NUT, fan spindle, front.....	0505	NUT, transmission transfer main shaft flange.....	0802.1
NUT, fifth wheel rocker shaft bolt.....	1506	NUT, transmission transfer output shaft flange.....	0802.3
NUT, front axle companion flange.....	1000	NUT, ventilating fan.....	0601
NUT, front axle steering knuckle flange stud.....	1004	NUT, winch brake band, dead end.....	2001
NUT, front axle trunnion socket to housing.....	1004	NUT, winch brake band, spring end.....	2001
NUT, front wheel hub and drum stud.....	1311	NUT, winch rope guard.....	2001
NUT, fuel filter bowl.....	0309	NUT, windshield wiper arm.....	2202
NUT, fuel filter element.....	0309	NUT, wing, roof bow clamp eye bolt.....	0609.2
NUT, fuel pump pull rod.....	0302	NUT, yoke, front air brake chamber.....	1208.2
NUT, generator head band.....	0601	NUT, yoke, rear air brake chamber.....	1208.2
NUT, hand brake lever spoon.....	1201		
NUT, hand brake valve clamp screw.....	1208.1	O	
NUT, hex., double check valve.....	1208.7	OILER, clutch.....	0202
NUT, hex., foot brake valve cover bolt.....	1208.1	OILER, press-in type, distributor shaft.....	0604.1
NUT, hex., foot brake valve intake valve.....	1208.1	OILER, press-in type, generator commutator end and drive end heads, 1/4 in.....	0601
NUT, hex., low pressure indicator contact screw.....	1208.4	ORIFICE, oil, engine cylinder.....	0106.6
NUT, jam, fan spindle, rear.....	0505	OUTRIGGER, deck, R.H.....	1805
NUT, jam, front axle steering knuckle stop screw.....	1004		
NUT, jam, front wheel bearing.....	1311	P	
NUT, jam, governor bumper adjusting screw.....	0308	PACKING, carburetor throttle shaft.....	0301
NUT, jam, rear wheel bearing.....	1311	PACKING, transmission transfer declutch shifter shaft.....	0804
NUT, knurled, pressure plate, front air brake chamber.....	1208.2	PACKING, transmission transfer gear shift shaft.....	0804
NUT, knurled, pressure plate, rear air brake chamber.....	1208.2	PACKING, water pump.....	0504
NUT, light, engine intake manifold heat box.....	0108	PAD, brake pedal lever.....	1206
NUT, lock, air brake governor adjusting screw.....	1208.3	PAD, clutch pedal lever.....	0202
NUT, lock, air brake safety valve.....	1208.8	PADLOCK, spare wheel carrier, w/CHAIN, assembly.....	1808
NUT, lock, air compressor unloader valve adjusting screw.....	1209	PADLOCK, tool box, w/CHAIN, assembly.....	1808
NUT, lock, engine oil pressure relief valve adjusting screw.....	0106.4	PAN, oil, engine.....	0106.6
NUT, lock, governor adjusting screw.....	0308	PAN, oil, engine, w/STRAINER, assembly.....	0106.6
NUT, lock, governor throttle rod tube.....	0308	PAN, seat, R.H., assembly.....	1806
NUT, lock, steering cross tube end.....	1401	PAN, seat, w/battery BOX, assembly.....	1806
NUT, lock, steering drag link, adjustable end.....	1401	PAN, seat back, L.H., assembly.....	1806
NUT, lock, steering gear bracket clamp screw.....	1401	PANEL, cab, door sill, L.H., assembly.....	1804
NUT, lock, transmission countershaft front bearing.....	0702.3	PANEL, cab, door sill, R.H., assembly.....	1804
NUT, lock, transmission countershaft rear bearing.....	0702.3	PANEL, cab, inside quarter, L.H.....	1804
NUT, lock, transmission drive shaft bearing.....	0702.1	PANEL, cab, inside quarter, R.H.....	1804
NUT, lock, transmission main shaft.....	0702.2	PANEL, cab, rear center.....	1804
NUT, lock, water pump bearing.....	0504	PANEL, cab, rear center, lower.....	1804
NUT, low pressure indicator terminal screw.....	1208.4	PANEL, cab, rear center, upper.....	1804
NUT, mounting, blackout driving light switch.....	0608	PANEL, cab, rear quarter, L.H., assembly.....	1804
NUT, mounting, blackout switch.....	0608	PANEL, cab, rear quarter, R.H., assembly.....	1804
NUT, mounting bolt, fifth wheel.....	1506	PANEL, cab pocket.....	1806
NUT, packing, water pump, front.....	0504	PANEL, cab roof, assembly.....	1804
NUT, packing, water pump, rear.....	0504	PANEL, cab roof, w/INSULATOR, assembly.....	1804
NUT, pintle lock.....	1503	PANEL, cowl, side, L.H., assembly.....	1804
NUT, pivot, foot brake valve.....	1208.1	PANEL, cowl, side, R.H., assembly.....	1804
NUT, preloading, foot brake valve.....	1208.1	PANEL, cowl, top, assembly.....	1804
NUT, rear axle companion flange.....	1100	PANEL, dash, assembly.....	1804
		PANEL, dash, upper, assembly.....	1804

ALPHABETICAL INDEX (Cont'd)

Item	Group	Item	Group
PANEL, instrument (five lights).....	0607	PIN, link, fuel pump.....	0302
PANEL, roof, assembly.....	1804	PIN, locating, carburetor bracket (fuel bowl assembly)..	0301
PANEL, windshield center post, inner.....	1804	PIN, locating, engine flywheel (knurled).....	0102
PAWL, hand brake lever.....	1201	PIN, pintle latch.....	1503
PAWL, power take-off shift rod.....	2002	PIN, piston, air compressor, std.....	1209
PILOT, front axle universal drive.....	1006	PIN, power take-off idler gear, assembly.....	2002
PIN, adjusting, hand brake lever pawl rod.....	1201	PIN, power take-off intermediate gear, assembly.....	2002
PIN, air compressor unloader lever.....	1209	PIN, rear brake shoe retracting spring.....	1202
PIN, air supply valve key.....	1208.8	PIN, rear spring shackle.....	1601
PIN, anchor, front brake shoe.....	1202	PIN, release, air brake safety valve.....	1208.8
PIN, anchor, hand brake lever arm.....	1201	PIN, shear, winch.....	2001
PIN, anchor, rear brake shoe.....	1202	PIN, steering cross tube end.....	1401
PIN, carburetor throttle lever stop.....	0301	PIN, steering cross tube end lock.....	1401
PIN, center, transmission gear shift lever stud.....	0704	PIN, stop, clutch release sleeve spring.....	0202
PIN, clutch pressure plate retracting spring.....	0201	PIN, straight, hand brake lever.....	1201
PIN, connecting, transmission fifth speed shift rod arm and form.....	0704	PIN, taper, carburetor air shutter shaft thrust washer..	0301
PIN, connecting, transmission reverse gear shift rod arm and fork.....	0704	PIN, taper, carburetor throttle lever bushing.....	0301
PIN, cotter, air compressor crankshaft nut.....	1209	PIN, taper, carburetor throttle stop lever.....	0301
PIN, cotter, air compressor unloader lever pin.....	1209	PIN, transmission gear shift rod interlock.....	0704
PIN, cotter, air supply valve key.....	1208.8	PIN, winch yoke, assembly.....	2001
PIN, cotter, foot brake valve lever pin.....	1208.1	PIN, windshield wiper.....	2202
PIN, cotter, relay valve.....	1208.5	PIN, yoke, rear air brake chamber.....	1208.2
PIN, cotter, yoke pin, rear air brake chamber.....	1208.2	PINION, bevel, front axle, w/SHAFT.....	1002
PIN, cranking motor magnetic switch push rod.....	0603	PINION, bevel, rear axle, w/through SHAFT, assembly	1102
PIN, cranking motor series parallel switch push rod release arm.....	0603	PINION, bevel, rear axle, w/through SHAFT and NUT, assembly.....	1102
PIN, distributor shaft coupling.....	0604.1	PINION, front axle differential.....	1002
PIN, dowel, cranking motor pinion housing.....	0603	PINION, rear axle differential.....	1102
PIN, dowel, engine flywheel.....	0103	PINION, spur, front axle (8.148 ratio).....	1002
PIN, dowel, engine rear main bearing flange.....	0102	PINION, spur, rear axle (8.148 ratio).....	1102
PIN, dowel, front spring shim.....	1601	PINTLE.....	1503
PIN, dowel, generator frame.....	0601	PINTLE, assembly.....	1503
PIN, dowel, rear spring shim.....	1601	PIPE, carburetor air intake, lower.....	0304
PIN, dowel, transmission case cover.....	0701	PIPE, engine oil filler, assembly.....	0106.6
PIN, dowel, transmission gear shift lever housing.....	0701	PIPE, engine oil filler, w/CAP, assembly.....	0106.6
PIN, dowel, transmission transfer.....	0800	PIPE, engine oil overflow, w/CLIP, assembly.....	0106.6
PIN, dowel, water pump.....	0504	PIPE, engine oil pump main discharge, w/NUT, assembly.....	0106.6
PIN, dowel, water pump mounting.....	0504	PIPE, engine oil pump outlet, w/NUTS, assembly.....	0106.6
PIN, drive, engine fuel pump.....	0302	PIPE, exhaust.....	0401
PIN, engine fan drive pulley.....	0109	PIPE, flexible, carburetor air intake, assembly.....	0304
PIN, engine oil pressure regulator.....	0101	PIPE, oil, steering gear housing.....	1401
PIN, engine oil pump drive gear.....	0106.1	PIPE, radiator outlet.....	0503
PIN, engine piston.....	0104	PIPE, tail, muffler.....	0401
PIN, engine starting crank ratchet.....	0102	PIPE, tail, muffler, w/CLAMP, assembly.....	0401
PIN, engine valve spring seat.....	0105.1	PIPE, vent, engine oil pan sump.....	0106.6
PIN, engine water pump flexible coupling.....	0109	PIPE, water pump by-pass.....	0503
PIN, fifth wheel coupler jaw.....	1506	PISTON, air compressor.....	1209
PIN, foot brake valve lever.....	1208.1	PISTON, air compressor, w/IN, assembly.....	1209
PIN, foot brake valve preloading nut.....	1208.1	PISTON, engine.....	0104
PIN, foot brake valve spring seat.....	1208.1	PISTON, engine, w/PIN fitted, assembly.....	0104
PIN, front axle universal drive pilot.....	1006	PISTON, hand brake valve.....	1208.1
PIN, front brake shoe wear plate.....	1202	PISTON, hand brake valve, assembly.....	1208.1
PIN, front spring bracket.....	1601	PIVOT, foot brake valve.....	1208.1
PIN, front spring shackle.....	1601	PLATE, adjusting, clutch.....	0201
PIN, fuel pump rocker arm.....	0302	PLATE, approach, fifth wheel, assembly (one-piece type)	1506
PIN, fulcrum, hand brake lever pawl.....	1201	PLATE, approach, fifth wheel, L.H. (divided type).....	1506
PIN, governor valve shaft lever.....	0308	PLATE, approach, fifth wheel, R.H. (divided type).....	1506
PIN, governor weight.....	0308	PLATE, bearing, pintle.....	1503
PIN, governor yoke.....	0308	PLATE, bearing, pintle, front.....	1503
PIN, groove, governor spider.....	0308	PLATE, bearing, pintle, rear.....	1503
PIN, groove, water pump impeller.....	0504	PLATE, breather, transmission transfer gear shift shaft cover.....	0804
PIN, hand brake shoe.....	1201	PLATE, cab grab handle.....	1800
PIN, hinge, distributor cap holding spring.....	0604.1	PLATE, carburetor air shutter, w/VALVE, assembly....	0301
PIN, lifting shackle.....	1503	PLATE, carburetor throttle.....	0301

ALPHABETICAL INDEX (Cont'd)

Item	Group	Item	Group
PLATE, caution, air pressure	2202	PLUG, drain, oil filter case	0106.2
PLATE, caution, drain	2202	PLUG, end, steering drag link, adjustable end	1401
PLATE, caution, engine speed	2202	PLUG, end, steering drag link, tube end	1401
PLATE, clamp, clutch and brake pedal bracket	0202	PLUG, engine cylinder oil orifice	0106.6
PLATE, clamp, floorboard	1805	PLUG, engine governor opening	0105.5
PLATE, clip, shock absorber, front, L.H.	1604	PLUG, expansion, slack adjuster	1202
PLATE, clip, shock absorber, front, R.H.	1604	PLUG, filler, shock absorber	1604
PLATE, clutch cover, assembly	0201	PLUG, fuel pump valve	0302
PLATE, clutch housing cover, bottom	0200	PLUG, inspection, front axle differential carrier	1002
PLATE, clutch housing cover, top	0200	PLUG, inspection, rear axle differential carrier	1102
PLATE, clutch pressure	0201	PLUG, magnetic, transmission drain	0701
PLATE, clutch pressure, w/STUDS, assembly	0201	PLUG, oil filler, front axle housing	1001
PLATE, cover, engine flywheel housing timing hole	0103	PLUG, pipe, air compressor cylinder head	1209
PLATE, cover, governor valve box	0308	PLUG, pipe, air compressor rear end cover	1209
PLATE, distributor breaker	0604.1	PLUG, pipe, carburetor bowl drain	0301
PLATE, distributor breaker, assembly	0604.1	PLUG, pipe, engine flywheel housing	0103
PLATE, distributor seal, assembly	0604.1	PLUG, pipe, foot brake valve	1208.1
PLATE, esutcheon, blackout driving light switch	0608	PLUG, pipe, front axle bevel pinion bearing cage	1002
PLATE, finish, brake pedal	1805	PLUG, pipe, fuel filter drain	0309
PLATE, finish, gear shift, assembly	1805	PLUG, pipe, fuel pump drive pin hole	0302
PLATE, finish, gear shift, rear, assembly	1805	PLUG, pipe, generator regulator drain	0602
PLATE, finish, steering column, L.H.	1805	PLUG, pipe, governor by-pass	0301
PLATE, finish, steering column, R.H.	1805	PLUG, pipe, relay valve	1208.5
PLATE, front tubular cross member, L.H.	1501	PLUG, pipe, slack adjuster	1202
PLATE, front tubular cross member, R.H.	1501	PLUG, rubber, distributor terminal slot	0604.1
PLATE, fuel pump pulsator cover	0302	PLUG, single contact, tail lamp	0609.1
PLATE, fuel pump valve	0302	PLUG, spark	0605
PLATE, hold-down clamp, ponton body	1809	PLUG, spot light connector	0609.2
PLATE, ignition wire support	0605	PLUG, spring, hand brake valve	1208.1
PLATE, ignition wire support bracket	0605	PLUG, transmission transfer declutch shaft bearing carrier oil filler	0801
PLATE, instruction, gear shift	2202	PLUG, transmission transfer oil drain	0801
PLATE, instruction, winch control	2202	PLUNGER, contact, stop light switch	1208.9
PLATE, intermediate, cranking motor, w/BEARING, assembly	0603	PLUNGER, cowl side vent spring	1804
PLATE, intermediate, cranking motor drive end	0603	PLUNGER, foot brake valve	1208.1
PLATE, locating, ponton body	1809	PLUNGER, front axle universal drive pilot pin	1006
PLATE, lock, front propeller shaft	0900	PLUNGER, lock, fifth wheel, w/SHAFT, assembly	1506
PLATE, lock, intermediate and rear propeller shaft	0900	PLUNGER, lock, hand brake valve	1208.1
PLATE, mounting, front brake dust shield	1202	PLUNGER, slack adjuster	1202
PLATE, mounting, starting switch circuit breaker	0608	PLUNGER, thrust, engine camshaft	0105.3
PLATE, name, toggle switch	0608	PLUNGER, thrust, engine idler shaft	0105.5
PLATE, nomenclature	2202	PLUNGER, transmission gear shift reverse lockout	0704
PLATE, non-pressure, front air brake chamber	1208.2	PLUNGER, transmission gear shift rod	0704
PLATE, non-pressure, rear air brake chamber	1208.2	PLUNGER, transmission gear shift rod interlock	0704
PLATE, power take-off steady bearing bracket	2002	PLUNGER, transmission transfer gear shift lock	0804
PLATE, pressure, front air brake chamber, L.H.	1208.2	POLE PIECE, cranking motor	0603
PLATE, pressure, front air brake chamber, R.H.	1208.2	POLE PIECE, generator	0601
PLATE, pressure, rear air brake chamber	1208.2	POPPET, power take-off	2002
PLATE, publications reference	2202	POPPET, winch	2001
PLATE, rear spring clip	1601	POST, distributor terminal	0604.1
PLATE, reinforcement, rear spring bracket	1601	POST, generator armature terminal	0601
PLATE, retaining, engine oil filter case	0106.2	POST, generator field terminal	0601
PLATE, scraper, front air brake chamber	1208.2	POST, seat box, L.H.	1806
PLATE, scraper, rear air brake chamber	1208.2	POST, seat box, R.H.	1806
PLATE, shipping data	2202	POST, terminal, cranking motor	0603
PLATE, striker, cab door	1803.1	POST, terminal, cranking motor, assembly	0603
PLATE, tapping, decontaminator bracket	1804	PULLEY, air compressor	1209
PLATE, wear, front brake shoe	1202	PULLEY, fan and compressor drive, engine accessory drive shaft	0109
PLATE, wear, rear brake shoe	1202	PUMP, carburetor vacuum accelerator, w/PISTON, assembly	0301
PLUG, adjusting screw, engine camshaft thrust plunger	0105.3	PUMP, fuel, assembly	0302
PLUG, adjusting screw, engine idler shaft thrust plunger	0105.5	PUMP, oil, engine, assembly	0106.1
PLUG, carburetor filter	0301	PUMP, water, assembly	0504
PLUG, carburetor vacuum channel	0301		
PLUG, double contact, tail lamp	0609.1		
PLUG, drain, front axle housing	1001		
PLUG, drain, magnetic, engine oil pan	0106.6		

ALPHABETICAL INDEX (Cont'd)

Item	Group	Item	Group
Q			
QUADRANT, windshield outer frame.....	1804	RING, blackout driving light, w/SPRING, assembly...	0609.1
R			
RACE, inner, front axle universal drive, w/SPACER, assembly.....	1006	RING, clamp, water pump impeller seal.....	0504
RACE, outer, front axle universal drive.....	1006	RING, clutch, transmission fifth speed countershaft gear	0702.3
RADIATOR, assembly.....	0501	RING, clutch, transmission third and fourth speed.....	0702.2
RAIL, frame, drilled, L.H.....	1501	RING, compression, air compressor.....	1209
RAIL, frame, drilled, R.H.....	1501	RING, clutch flywheel.....	0201
RAIL, rear window, cab, side.....	1800	RING, clutch release sleeve fulcrum.....	0201
RAIL, seat back.....	1806	RING, compression, engine piston.....	0104
RATCHET, engine starting crank.....	0102	RING, diaphragm, stop light switch.....	1208.9
RECEPTACLE, trailer lighting cable.....	0617	RING, foot brake valve diaphragm.....	1208.1
REFLECTOR, amber.....	2202	RING, guide, relay valve.....	1208.4
REFLECTOR, red.....	2202	RING, lock, clutch and brake pedal shaft.....	0202
REGULATOR, door window, L.H.....	1803.1	RING, lock, cranking motor intermediate bearing.....	0603
REGULATOR, door window, R.H.....	1803.1	RING, low pressure indicator diaphragm.....	1208.4
REGULATOR, generator, assembly.....	0602	RING, oil, air compressor.....	1209
REINFORCEMENT, angle, cab dash, side.....	1804	RING, oil regulating, engine piston.....	0104
REINFORCEMENT, blackout driving light, assembly.....	0609.1	RING, packing, air compressor crankshaft, rear.....	1209
REINFORCEMENT, cab center sill, assembly.....	1804	RING, retaining, air compressor unloader valve.....	1209
REINFORCEMENT, dash, L.H., assembly.....	1804	RING, retaining, carburetor throttle shaft packing.....	0301
REINFORCEMENT, dash, R.H., assembly.....	1804	RING, retaining, head light.....	0609.1
REINFORCEMENT, deck outrigger.....	1805	RING, retaining, steering gear wheel tube ball bearing..	1401
REINFORCEMENT, frame rail (pontoon body).....	1809	RING, sealing, carburetor elbow (outlet side).....	0304
REINFORCEMENT, fuel tank bracket.....	0306	RING, separator, transmission reverse gear needle bearing	0702.3
REINFORCEMENT, gun mount, front.....	1804	RING, shoulder water pump bearing.....	0504
REINFORCEMENT, gun mount support, center.....	1804	RING, thrust, winch drum.....	2001
REINFORCEMENT, gun mount support, side, lower..	1804	RING, thrust, winch frame.....	2001
REINFORCEMENT, lifting shackle.....	1503	RING SET, air compressor.....	1209
REINFORCEMENT, rear deck.....	1805	RING SET, engine piston.....	0104
REINFORCEMENT, spot light clamp bracket.....	0609.2	RIVET, clutch disk and hub.....	0201
RELAY, electric horn.....	0611	RIVET, clutch disk facing.....	0201
RESISTOR, carbon, generator regulator, marked No. 7.	0602	RIVET, cranking motor brush holder.....	0603
RESISTOR, carbon, generator regulator, marked No. 80	0602	RIVET, cranking motor cap, commutator end.....	0603
RETAINER, air compressor screen.....	1209	RIVET, front brake shoe lining.....	1202
RETAINER, battery cable felt, lower.....	1806	RIVET, fuel tank bracket.....	0306
RETAINER, battery cable felt, upper.....	1806	RIVET, fuel tank bracket strap.....	0306
RETAINER, bearing, generator drive end.....	0601	RIVET, hand brake shoe lining.....	1201
RETAINER, cab door, L.H., assembly.....	1803.1	RIVET, rear axle brake spider to housing.....	1202
RETAINER, cab door, R.H., assembly.....	1803.1	RIVET, slack adjuster.....	1202
RETAINER, cork, fan bearing.....	0505	ROD, accelerator control.....	0312
RETAINER, curled hair, fuel pump.....	0302	ROD, brake pedal control.....	1206
RETAINER, front axle drive shaft.....	1006	ROD, cab curtain, L.H.....	2201
RETAINER, front axle drive shaft seal.....	1006	ROD, cab curtain, R.H.....	2201
RETAINER, front axle steering knuckle felt.....	1004	ROD, carburetor control.....	0312
RETAINER, front axle universal drive and shaft.....	1006	ROD, clutch control.....	0202
RETAINER, front propeller shaft journal gasket.....	0900	ROD, connecting, air compressor, std.....	1209
RETAINER, front wheel bearing felt.....	1311	ROD, connecting, engine, w/BEARINGS, assembly.....	0104
RETAINER, fuel pump diaphragm spring.....	0302	ROD, connecting, engine, w/o BEARINGS, assembly...	0104
RETAINER, hand brake shoe pin.....	1201	ROD, control, transmission transfer declutch shift, assembly.....	0804
RETAINER, intermediate and rear propeller shaft journal gasket.....	0900	ROD, control, transmission transfer gear shift, assembly	0804
RETAINER, rear wheel bearing felt, inner.....	1311	ROD, cranking motor magnetic switch, w/CONTACT, assembly.....	0603
RETAINER, rear wheel bearing felt, outer.....	1311	ROD, governor throttle.....	0308
RETAINER, transmission drive shaft bearing.....	0702.1	ROD, governor throttle, assembly.....	0308
RETAINER, transmission transfer declutch shifter shaft packing.....	0804	ROD, hand brake, forward, 41½ in. long.....	1201
RETAINER, transmission transfer gear shift shaft packing.....	0804	ROD, hand brake, rear, 17 in. long.....	1201
RETAINER, water pump bearing shoulder ring.....	0504	ROD, hand brake lever pawl.....	1201
RETAINER, water pump seal.....	0504	ROD, power take-off shift control, front.....	2002
RETAINER, weatherstrip, cab door.....	1804	ROD, power take-off shift control, rear.....	2002
RETAINER, windshield opening weatherstrip.....	1804	ROD, pull, fuel pump.....	0302
RING, adjusting, front axle differential bearing.....	1002	ROD, push, front air brake chamber.....	1208.2
		ROD, push, hand brake, 6 in. long.....	1201
		ROD, push, rear air brake chamber.....	1208.2
		ROD, shift, power take-off.....	2002
		ROD, tie, front axle, assembly.....	1401
		ROD, tie, hand brake lever arm.....	1201

ALPHABETICAL INDEX (Cont'd)

Item	Group	Item	Group
ROD, transmission fifth speed gear shift, lower.....	0704	SCREW, carburetor air shutter retaining.....	0301
ROD, transmission fifth speed gear shift, upper.....	0704	SCREW, carburetor bowl to body.....	0301
ROD, transmission first and second speed gear shift.....	0704	SCREW, carburetor bracket.....	0301
ROD, transmission reverse gear shift, lower.....	0704	SCREW, carburetor channel.....	0301
ROD, transmission reverse gear shift, upper.....	0704	SCREW, carburetor float hinge bracket.....	0301
ROD, transmission third and fourth speed gear shift.....	0704	SCREW, carburetor floating lever stop clamp.....	0301
ROTOR, distributor, assembly.....	0604.1	SCREW, carburetor floating lever swivel (hand throttle).....	0301
RUBBER, cab door bumper.....	1803.1	SCREW, carburetor idle adjusting.....	0301
RUBBER, rear window glass.....	1803.1	SCREW, carburetor throttle plate.....	0301
RUBBER, steering column finish, assembly.....	1806	SCREW, carburetor throttle stop.....	0301
RUNNING BOARD, L.H.....	1701	SCREW, carburetor venturi.....	0301
RUNNING BOARD, R.H.....	1701	SCREW, clamp, carburetor throttle lever.....	0301
S			
SCREEN, air brake governor.....	1208.3	SCREW, clamp, engine piston pin.....	0104
SCREEN, air brake governor, assembly.....	1208.3	SCREW, contact, low pressure indicator.....	1208.4
SCREEN, air compressor strainer.....	1209	SCREW, cranking motor Bendix drive head spring.....	0603
SCREEN, carburetor filter.....	0301	SCREW, cranking motor Bendix drive shaft spring.....	0603
SCREEN, fuel pump.....	0302	SCREW, cranking motor drive end intermediate plate.....	0603
SCREEN, rear window, cab, assembly.....	1800	SCREW, cranking motor frame.....	0603
SCREW, adjusting, air brake governor.....	1208.3	SCREW, cranking motor wire clip.....	0603
SCREW, adjusting, air compressor unloader valve.....	1209	SCREW, distributor breaker contact lock.....	0604.1
SCREW, adjusting, engine camshaft thrust plunger.....	0105.3	SCREW, distributor breaker plate.....	0604.1
SCREW, adjusting, engine camshaft thrust plunger, w/NUT, assembly.....	0105.3	SCREW, distributor terminal post connector.....	0604.1
SCREW, adjusting, engine camshaft thrust plunger, w/PLUG, assembly.....	0105.3	SCREW, engine cylinder oil orifice.....	0106.6
SCREW, adjusting, engine idler shaft thrust plunger.....	0105.5	SCREW, engine main bearing cap, center and rear.....	0102
SCREW, adjusting, engine idler shaft thrust plunger, assembly.....	0105.5	SCREW, engine main bearing cap, front and intermediate.....	0102
SCREW, adjusting, engine oil pressure relief valve.....	0106.4	SCREW, engine oil filter case cover.....	0106.2
SCREW, adjusting, engine valve tappet.....	0105.2	SCREW, engine oil pump body.....	0106.1
SCREEN, adjusting, engine valve tappet, w/NUT, assembly.....	0105.2	SCREW, fan blade.....	0505
SCREW, adjusting, fan, assembly.....	0505	SCREW, fifth wheel plunger safety latch.....	1506
SCREW, adjusting, generator regulator circuit breaker armature spring.....	0602	SCREW, flywheel housing oil seal.....	0103
SCREW, adjusting, generator regulator current regulator armature spring.....	0602	SCREW, front axle differential bearing adjusting ring lock.....	1002
SCREW, adjusting, generator regulator voltage regulator armature spring.....	0602	SCREW, front axle trunnion socket to housing.....	1004
SCREW, adjusting, governor.....	0308	SCREW, front axle universal drive and shaft retainer.....	1006
SCREW, adjusting, governor bumper spring.....	0308	SCREW, front propeller shaft needle bearing cap.....	0900
SCREW, adjusting, steering gear housing side cover.....	1401	SCREW, fuel pump bottom cover.....	0302
SCREW, adjusting, windshield outer frame.....	1804	SCREW, fuel pump center cover.....	0302
SCREW, air brake governor bracket to tube.....	1208.3	SCREW, fuel pump cover.....	0302
SCREW, Bendix drive head spring.....	0603	SCREW, fuel pump top cover.....	0302
SCREW, Bendix drive pinion back stop.....	0603	SCREW, fuel pump valve plate.....	0302
SCREW, Bendix drive shaft spring.....	0603	SCREW, generator bearing retainer, drive end.....	0601
SCREW, blackout driving light door.....	0609.1	SCREW, generator frame.....	0601
SCREW, blackout parking light door.....	0609.1	SCREW, generator head band.....	0601
SCREW, blackout tail and blackout stop light door.....	0609.1	SCREW, generator pole piece.....	0601
SCREW, blackout tail and service tail and stop light door.....	0609.1	SCREW, governor throttle rod (governor end).....	0308
SCREW, cap, engine cylinder head.....	0101	SCREW, guide, transmission reverse gear shift fork.....	0704
SCREW, cap, engine oil pump cover.....	0106.1	SCREW, hand brake valve clamp.....	1208.1
SCREW, cap, engine oil pump front and rear suction lines.....	0106.6	SCREW, head light molding.....	0609.1
SCREW, cap, engine oil pump suction line clamp.....	0106.6	SCREW, head light retaining ring.....	0609.1
SCREW, cap, hand brake lever stop.....	1201	SCREW, intermediate and rear propeller shaft needle bearing cap.....	0900
SCREW, cap, ignition coil.....	0605	SCREW, lock, generator.....	0601
SCREW, cap, rear axle differential carrier to housing.....	1102	SCREW, lock, pintle latch pin.....	1503
SCREW, cap, transmission gear shift lever housing.....	0701	SCREW, lock, transmission transfer declutch driving clutch.....	0802.4
SCREW, cap, thermostat housing.....	0503	SCREW, machine, adjustable seat hanger.....	1806
SCREW, cap, winch base angle.....	2001	SCREW, machine, air brake governor case to body.....	1208.3
SCREW, cap, winch rope guard.....	2001	SCREW, machine, air brake governor cover.....	1208.3
SCREW, carburetor air shutter bracket wire clamp.....	0301	SCREW, machine, air compressor box cover.....	1209
SCREW, carburetor air shutter lever swivel.....	0301	SCREW, machine, air compressor inlet chamber cover.....	1209
		SCREW, machine, distributor breaker arm spring clip.....	0604.1
		SCREW, machine, generator commutator end cover.....	0601
		SCREW, machine, generator field ground.....	0601
		SCREW, machine, governor body cap.....	0308
		SCREW, machine, left hand seat support angle.....	1806
		SCREW, machine, right hand seat support angle.....	1806
		SCREW, mounting, air compressor strainer.....	1209

ALPHABETICAL INDEX (Cont'd)

Item	Group	Item	Group
SCREW, mounting, cranking motor magnetic switch base	0603	SEAL, oil, power take-off shift rod	2002
SCREW, mounting, cranking motor series parallel switch terminal plate	0603	SEAL, oil, rear axle drive shaft	1101
SCREW, mounting, cranking motor switch	0603	SEAL, oil, rear axle through shaft forward bearing	1102
SCREW, mounting, engine intake manifold heat box	0108	SEAL, oil, steering gear housing, assembly	1401
SCREW, mounting, engine oil filter, long	0106.2	SEAL, oil, transmission gear shift lever socket	0704
SCREW, mounting, engine oil filter, short	0106.2	SEAL, oil, transmission main shaft	0702.2
SCREW, mounting, engine oil pump	0106.1	SEAL, oil, transmission transfer declutch shaft	0801
SCREW, mounting, engine oil pump main discharge pipe	0106.6	SEAL, oil, transmission transfer main shaft front bearing cage	0801
SCREW, mounting, engine valve cover	0105.2	SEAL, oil, transmission transfer output shaft rear bearing	0801
SCREW, mounting, generator air deflector	0601	SEAL, oil, water pump	0504
SCREW, mounting, governor drive gear	0308	SEAL, oil, winch worm cap	2001
SCREW, mounting, pole piece	0603	SEAL, water pump impeller, assembly	0504
SCREW, pinion housing to motor frame	0603	SEAL, water pump shaft	0504
SCREW, puller, rear axle drive shaft	1104	SEAL and WIRE, governor body cap	0308
SCREW, rear axle bevel gear	1102	SEAL and WIRE, governor valve box plate	0308
SCREW, rear axle brake spider to housing	1202	SEAT, engine valve spring	0105.1
SCREW, rear axle differential bearing adjusting lock	1102	SEAT, foot brake valve exhaust valve	1208.1
SCREW, rear axle spur pinion bearing washer	1102	SEAT, foot brake valve graduating spring	1208.1
SCREW, relay valve cover	1208.5	SEAT, foot brake valve graduating spring, assembly	1208.1
SCREW, relay valve diaphragm	1208.5	SEAT, foot brake valve intake valve	1208.1
SCREW, retaining, carburetor air shutter	0301	SEAT, foot brake valve intake valve spring	1208.1
SCREW, retaining, rear axle housing sleeve	1101	SEAT, front axle universal drive pilot pin	1006
SCREW, seat pan support	1806	SEAT, fuel pump bowl	0302
SCREW, set, engine starting crank ratchet pin	0102	SEAT, quick release valve spring	1208.6
SCREW, set, governor throttle lever	0308	SEAT, relay valve spring	1208.5
SCREW, set, hand brake anchor pin	1201	SEAT, single check valve spring	1208.7
SCREW, set, hand brake shoe adjusting	1201	SEAT, spring, air brake safety valve	1208.8
SCREW, set, hand brake valve	1208.1	SEAT, steering drag link ball, adjustable end	1401
SCREW, set, transmission gear shift lever housing	0701	SEAT, steering drag link ball, tube end	1401
SCREW, set, transmission gear shift rod stop	0704	SEAT, windshield wiper single valve	2202
SCREW, steering cross tube clamp	1401	SECTOR, hand brake lever	1201
SCREW, steering drag link	1401	SEGMENT, base and retaining steering gear horn button	0611
SCREW, steering gear horn button	0611	SHACKLE, front spring	1601
SCREW, steering gear housing side cover	1401	SHACKLE, lifting	1503
SCREW, stop, front axle steering knuckle	1004	SHACKLE, rear spring	1601
SCREW, stop, seat pan adjusting bar	1806	SHACKLE, rear spring, w/BUSHING, assembly	1601
SCREW, stop light switch, assembly	1208.9	SHAFT, accelerator treadle	031?
SCREW, terminal, lower, low pressure indicator, assembly	1208.4	SHAFT, Bendix drive, w/SLEEVE, assembly	0603
SCREW, terminal, stop light switch	1208.9	SHAFT, carburetor air shutter	0301
SCREW, terminal, upper, low pressure indicator	1208.4	SHAFT, carburetor throttle	0301
SCREW, thumb, windshield	1804	SHAFT, carburetor throttle, w/LEVER, assembly	0301
SCREW, transmission transfer declutch shift fork	0804	SHAFT, clutch and brake pedal	0202
SCREW, transmission transfer declutch shift lock spring	0804	SHAFT, clutch control	0202
SCREW, transmission transfer idler shaft frobt bearing cap	0801	SHAFT, control, transmission transfer hand shift levers	0804
SCREW, transmission transfer idler shaft rear bearing cap	0801	SHAFT, cross, accelerator	0312
SCREW, windshield outer frame quadrant	1804	SHAFT, cross, hand brake	1201
SCREW, windshield quadrant arm	1804	SHAFT, cross, power take-off control	2002
SEAL, double check valve	1208.7	SHAFT, cross, rear spring	1601
SEAL, felt, engine oil pump to oil pan	0106.1	SHAFT, cross, throttle control, assembly	0312
SEAL, flexible, water pump impeller	0504	SHAFT, cross, transmission transfer declutch control	0804
SEAL, lead and wire, generator regulator	0602	SHAFT, declutch, transmission transfer	0802.4
SEAL, oil, air compressor crankshaft, front, assembly	1209	SHAFT, declutch, transmission transfer, w/NUT, assembly	0802.4
SEAL, oil, engine accessory drive shaft, front, assembly (engine gear case cover)	0109	SHAFT, distributor	0604.1
SEAL, oil, engine accessory drive shaft, rear, assembly (engine distributor support housing)	0109	SHAFT, distributor, w/GOVERNOR, assembly	0604.1
SEAL, oil, engine crankshaft, front, assembly	0102	SHAFT, drive, engine accessory	0109
SEAL, oil, engine flywheel housing, assembly	0103	SHAFT, drive, engine accessory, assembly	0109
SEAL, oil, engine generator, cork (crankcase)	0101	SHAFT, drive, engine oil pump	0106.1
SEAL, oil, front axle bevel pinion bearing cage	1002	SHAFT, drive, flexible, speedometer, assembly	2208.1
SEAL, oil, front axle drive shaft	1006	SHAFT, drive, flexible, tachometer, assembly	2208.2
SEAL, oil, generator	0601	SHAFT, drive, flexible, tachometer, assembly (55 in. long)	2208.2
SEAL, oil, power take-off shaft	2002	SHAFT, drive, front axle, long, w/pilot pin SEAT, assembly	1006
		SHAFT, drive, front axle, short, w/pilot pin SEAT, assembly	1006

ALPHABETICAL INDEX (Cont'd)

Item	Group	Item	Group
SHAFT, drive, governor.....	0308	SHIM, front tubular cross member.....	1501
SHAFT, drive, rear axle, long, w/puller SCREW, assembly.....	1104	SHIM, hand brake anchor bracket.....	1201
SHAFT, drive, rear axle, short, w/puller SCREW, assembly.....	1104	SHIM, hand brake valve.....	1208.1
SHAFT, drive, transmission, w/GEAR.....	0702.1	SHIM, rear axle spur pinion bearing cage.....	1102
SHAFT, drive, winch.....	2001	SHIM, rear axle through shaft forward bearing cover...	1102
SHAFT, engine accessory drive, w/NUT, assembly.....	0109	SHIM, rear axle through shaft rear bearing cover.....	1102
SHAFT, fifth wheel support bracket.....	1506	SHIM, rear spring, L.H.....	1601
SHAFT, governor butterfly valve.....	0308	SHIM, rear spring, R.H.....	1601
SHAFT, hand brake lever.....	1201	SHIM, steering gear horn button emblem.....	0611
SHAFT, idler, engine.....	0105.5	SHIM, steering gear upper cover, brass.....	1401
SHAFT, idler, engine oil pump.....	0106.1	SHIM, steering gear upper cover, steel.....	1401
SHAFT, idler, transmission transfer.....	0802.2	SHIM, transmission countershaft rear bearing cap.....	0702.3
SHAFT, lateral, fifth wheel.....	1506	SHIM, transmission main shaft rear bearing cap.....	0702.2
SHAFT, lever, steering gear, w/NUT and lock WASHER, assembly.....	1401	SHIM, transmission transfer idler shaft front and rear bearing cap.....	0801
SHAFT, lever, steering gear, w/STUD, roller bearing UNIT, NUT and lock WASHER, assembly.....	1401	SHIM, transmission transfer main shaft front bearing cage	0801
SHAFT, main, transmission (bare).....	0702.2	SHIM, transmission transfer output shaft rear bearing cap	0801
SHAFT, main, transmission, w/NUTS, assembly.....	0702.2	SHIM, winch drum shaft.....	2001
SHAFT, main, transmission transfer.....	0802.1	SHIM SET, front axle.....	1000
SHAFT, main, transmission transfer, w/NUT, assembly.	0802.1	SHIM SET, rear axle.....	1100
SHAFT, output, transmission transfer.....	0802.3	SHIM SET, steering gear.....	1401
SHAFT, output, transmission transfer, w/NUT, assembly.....	0802.3	SHIM SET, transmission countershaft rear bearing cap.	0702.3
SHAFT, power take-off, assembly.....	2002	SHIM SET, transmission main shaft rear bearing cap...	0702.2
SHAFT, power take-off adapter gear.....	2002	SHIM SET, transmission transfer bearing cap.....	0800
SHAFT, propeller, front, assembly (transmission transfer to front axle).....	0900	SHOCK ABSORBER, front, L.H., assembly.....	1604
SHAFT, propeller, intermediate, assembly (transmission to transmission transfer).....	0900	SHOCK ABSORBER, front, R.H., assembly.....	1604
SHAFT, propeller, rear, assembly (transmission transfer to rear axle).....	0900	SHOCK ABSORBER, rear, L.H., assembly.....	1604
SHAFT, rocker, governor.....	0308	SHOCK ABSORBER, rear, R.H., assembly.....	1604
SHAFT, shifting, transmission transfer declutch.....	0804	SHOE, front brake, lower, L.H., assembly.....	1202
SHAFT, shifting, transmission transfer gear.....	0804	SHOE, front brake, lower, R.H., assembly.....	1202
SHAFT, stub, front propeller shaft, assembly.....	0900	SHOE, front brake, upper, L.H., assembly.....	1202
SHAFT, stub, intermediate propeller shaft, assembly....	0900	SHOE, front brake, upper, R.H., assembly.....	1202
SHAFT, stub, rear propeller shaft, assembly.....	0900	SHOE, hand brake.....	1201
SHAFT, transmission reverse gear.....	0702.3	SHOE, hand brake, assembly.....	1201
SHAFT, water pump.....	0504	SHOE, rear brake, lower, assembly.....	1202
SHAFT, winch drum, assembly.....	2001	SHOE, rear brake, upper, assembly.....	1202
SHAFT, worm, slack adjuster.....	1202	SILL, ponton body.....	1809
SHIELD, battery, assembly.....	0612	SLEEVE, air hose connector, brake chambe.....	1208
SHIELD, dust, front brake.....	1202	SLEEVE, air hose connector, trailer hose.....	1211
SHIELD, dust, rear brake.....	1202	SLEEVE, clutch release.....	0202
SHIELD, manifold, floorboard, assembly.....	1805	SLEEVE, compression, cranking motor Bendix drive....	0603
SHIELD, top, radiator.....	0502	SLEEVE, cranking motor Bendix drive.....	0603
SHIM, air brake governor upper valve.....	1208.3	SLEEVE, dowel, front axle drive shaft flange.....	1006
SHIM, cab door check.....	1803.1	SLEEVE, dowel, rear axle differential carrier.....	1102
SHIM, cab mounting, front.....	1801	SLEEVE, dowel, rear axle drive shaft flange.....	1104
SHIM, cab mounting, rear.....	1801	SLEEVE, engine accessory drive shaft.....	0109
SHIM, clutch flywheel ring, .015.....	0201	SLEEVE, engine accessory drive shaft, w/BUSHING, assembly.....	0109
SHIM, engine connecting rod.....	0104	SLEEVE, engine oil gage line.....	0106.6
SHIM, engine main bearing, center and rear.....	0102	SLEEVE, engine viscometer gage.....	0106.6
SHIM, engine main bearing, front.....	0102	SLEEVE, engine viscometer gage line.....	0106.6
SHIM, engine main bearing, intermediate.....	0102	SLEEVE, front axle housing, long, R.H.....	1001
SHIM, foot brake valve.....	1208.1	SLEEVE, front axle housing, short, L.H.....	1001
SHIM, front axle bevel pinion bearing.....	1002	SLEEVE, fuel tank filler, assembly.....	0306
SHIM, front axle bevel pinion bearing cage.....	1002	SLEEVE, oil wick, engine crankshaft.....	0102
SHIM, front axle spur pinion bearing left hand cover...	1002	SLEEVE, pintle.....	1503
SHIM, front axle spur pinion bearing right hand cover..	1002	SLEEVE, power take-off intermediate gear bearing....	2002
SHIM, front axle steering knuckle bearing cap.....	1004	SLEEVE, rear axle bevel gear bearing.....	1102
SHIM, front spring.....	1601	SLEEVE, rear axle housing, long.....	1101
SHIM, front spring, w/dowel PIN, assembly.....	1601	SLEEVE, rear axle housing, short.....	1101
		SLEEVE, speedometer drive shaft extension.....	2208.1
		SLEEVE, speedometer driven gear.....	0802.2
		SLEEVE, thrust, governor.....	0308
		SLEEVE, thrust, governor, w/BEARING, assembly....	0308
		SLEEVE, transmission first and second slide gear.....	0702.2
		SLEEVE, transmission main shaft third speed gear.....	0702.2

ALPHABETICAL INDEX (Cont'd)

Item	Group	Item	Group
SLEEVE, transmission reverse gear	0702.3	SPRING, armature, generator regulator circuit breaker, 16 coils	0602
SLEEVE, winch end frame	2001	SPRING, armature, generator regulator current regulator, 14½ coils	0602
SLINGER, oil, rear wheel brake drum	1312	SPRING, armature, generator regulator voltage regulator, 14½ coils	0602
SNAP RING, clutch release sleeve	0201	SPRING, Bendix drive	0603
SNAP RING, distributor cam retaining	0604.1	SPRING, brush, cranking motor	0603
SNAP RING, engine oil pump idler shaft	0106.1	SPRING, buffer, front axle universal drive	1006
SNAP RING, front axle drive shaft oil seal	1006	SPRING, bumper, governor valve box	0308
SNAP RING, front brake camshaft	1202	SPRING, cab support, front	1801
SNAP RING, transmission reverse gear needle bearing	0702.3	SPRING, cab support, rear	1801
SNAP RING, water pump seal retainer	0504	SPRING, carburetor idle adjusting screw	0301
SNAP RING, water pump shaft	0504	SPRING, carburetor throttle stop screw	0301
SNAP WIRE, water pump impeller seal	0504	SPRING, clutch pressure plate	0201
SOCKET, cab curtain rod	2201	SPRING, contact, distributor cap	0604.1
SOCKET, dash light, assembly	0607	SPRING, cowl side vent	1804
SOCKET, dummy trailer, assembly	0617	SPRING, cranking motor Bendix drive	0603
SOCKET, single contact light plug	0609.2	SPRING, cranking motor brush arm	0603
SOCKET, steering drag link, adjustable end	1401	SPRING, cranking motor magnetic switch push rod	0603
SOCKET, trunnion, front axle, w/bearing PIN, assembly	1004	SPRING, cranking motor series parallel switch contact cushion	0603
SPACER, air brake tubing clip	1208	SPRING, cranking motor series parallel switch push rod release arm	0603
SPACER, cd-pltd., ignition coil mounting	0605	SPRING, diaphragm, front air brake chamber	1208.2
SPACER, deck bracket	1805	SPRING, diaphragm, rear air brake chamber	1208.2
SPACER, end, transmission transfer front cross member	0800	SPRING, distributor breaker arm	0604.1
SPACER, engine oil filler pipe brace	0106.6	SPRING, distributor cap holding	0604.1
SPACER, engine oil line clip	0106.6	SPRING, engine oil filter case cover	0106.2
SPACER, engine support bracket, front	0100	SPRING, engine oil pressure relief valve	0106.4
SPACER, fan	0505	SPRING, engine valve	0105.1
SPACER, front axle bevel pinion bearing	1002	SPRING, exhaust valve, hand brake valve	1208.1
SPACER, front axle universal drive inner race	1006	SPRING, expander, windshield wiper	2202
SPACER, governor yoke	0308	SPRING, fifth wheel lock latch	1506
SPACER, hand brake lever sector	1201	SPRING, fifth wheel plunger	1506
SPACER, inner, air compressor crankshaft forward bearing	1209	SPRING, foot brake valve exhaust valve	1208.1
SPACER, muffler clamp	0401	SPRING, foot brake valve intake valve	1208.1
SPACER, outer, air compressor crankshaft forward bearing	1209	SPRING, front, assembly	1601
SPACER, power take-off idler gear bearing	2002	SPRING, front axle universal drive pilot pin plunger	1006
SPACER, power take-off shift rod tube	2002	SPRING, front brake chamber hose	1208
SPACER, radio suppression, ignition coil, cd-pltd.	0605	SPRING, fuel pump diaphragm	0302
SPACER, rear axle bevel gear bearing	1102	SPRING, fuel pump rocker arm	0302
SPACER, rear spring shackle	1601	SPRING, fuel pump valve	0302
SPACER, running board	1701	SPRING, generator brush	0601
SPACER, speedometer drive gear	0802.2	SPRING, governor	0308
SPACER, towing hook, front	1503	SPRING, graduating, foot brake valve	1208.1
SPACER, towing hook, rear	1503	SPRING, hand brake lever arm release	1201
SPACER, transmission main shaft, rear	0702.2	SPRING, hand brake lever pawl rod	1201
SPACER, transmission transfer control bracket support	0804	SPRING, hand brake shoe	1201
SPACER, transmission transfer idler gear	0802.2	SPRING, hand brake valve	1208.1
SPACER, transmission transfer main drive gear idler bearing	0802.1	SPRING, helical, pintle	1503
SPIDER, front axle differential	1002	SPRING, intake valve, hand brake valve	1208.1
SPIDER, governor, w/HUB, assembly	0308	SPRING, leveling, fifth wheel	1506
SPIDER, rear axle differential	1102	SPRING, lock, hand brake valve	1208.1
SPIDER, rear axle brake, w/BUSHING, assembly	1202	SPRING, low pressure indicator diaphragm	1208.4
SPIDER, rear axle brake, w/long SLEEVE, assembly	1202	SPRING, pintle latch	1503
SPIDER, rear axle brake, w/short SLEEVE, assembly	1202	SPRING, plunger, slack adjuster	1202
SPIDER, winch worm gear, assembly	2001	SPRING, ponton body hold-down bolt	1809
SPINDLE, fan	0505	SPRING, power take-off gear shift pawl	2002
SPINDLE, fan, w/NUTS, assembly	0505	SPRING, pressure, front axle steering knuckle felt	1004
SPINDLE, front wheel, assembly	1004	SPRING, quick release valve	1208.6
SPOON, hand brake lever	1201	SPRING, radiator support	0501
SPRING, air brake governor lower valve	1208.3	SPRING, rear, assembly	1601
SPRING, air brake safety valve	1208.8	SPRING, rear auxiliary, assembly	1602
SPRING, air compressor discharge valve	1209	SPRING, relay valve diaphragm	1208.5
SPRING, air compressor unloader lever	1209	SPRING, relay valve supply valve	1208.5
SPRING, air hose connector (brake chamber)	1208		
SPRING, air supply valve key	1208.8		

ALPHABETICAL INDEX (Cont'd)

Item	Group	Item	Group
SPRING, retracting, accelerator.....	0312	STUD, cab door check.....	1803.1
SPRING, retracting, brake pedal control shaft.....	1206	STUD, carburetor adapter.....	0301
SPRING, retracting, carburetor air shutter lever.....	0301	STUD, clutch flywheel ring.....	0201
SPRING, retracting, clutch control shaft.....	0202	STUD, clutch pressure plate.....	0201
SPRING, retracting, clutch pressure plate.....	0201	STUD, cranking motor series parallel switch spring terminal, w/EXTENSION.....	0603
SPRING, retracting, clutch trunnion block.....	0202	STUD, cranking motor terminal.....	0603
SPRING, retracting, front brake shoe.....	1202	STUD, engine cylinder head bonding.....	0101
SPRING, retracting, rear brake shoe.....	1202	STUD, fifth wheel lock plunger.....	1506
SPRING, scraper, front air brake chamber.....	1208.2	STUD, fifth wheel operating handle.....	1506
SPRING, scraper, rear air brake chamber.....	1208.2	STUD, fifth wheel plunger lock latch.....	1506
SPRING, single check valve.....	1208.7	STUD, foot brake valve intake valve.....	1208.1
SPRING, steering drag link ball seat, adjustable end....	1401	STUD, front axle bevel pinion bearing cage.....	1002
SPRING, steering drag link ball seat, tube end.....	1401	STUD, front axle differential and cap.....	1002
SPRING, steering gear horn button.....	0611	STUD, front axle differential carrier to housing.....	1002
SPRING, steering gear horn button contact.....	0611	STUD, front axle drive shaft flange to hub.....	1006
SPRING, steering gear jacket tube ball bearing unit.....	1401	STUD, front axle spur pinion bearing cage.....	1002
SPRING, stop, seat pan, R.H.....	1806	STUD, front axle spur pinion bearing cover.....	1002
SPRING, stop light switch.....	1208.9	STUD, front axle steering knuckle flange.....	1004
SPRING, supporting, trailer air hose.....	1211	STUD, front axle steering knuckle upper bearing cap, long	1004
SPRING, trailer air hose connector.....	1211	STUD, front axle steering knuckle upper bearing cap, short.....	1004
SPRING, transmission gear shift lever socket.....	0704	STUD, front wheel hub, L.H.....	1311
SPRING, transmission gear shift lockout plunger.....	0704	STUD, front wheel hub, R.H.....	1311
SPRING, transmission gear shift lockout plunger ball....	0704	STUD, fuel filter, assembly.....	0309
SPRING, transmission gear shift rod.....	0704	STUD, mounting, engine exhaust manifold.....	0108
SPRING, transmission transfer declutch shift lock.....	0804	STUD, mounting, engine heat box to exhaust manifold....	0108
SPRING, transmission transfer gear shift lock plunger..	0804	STUD, mounting, engine intake manifold.....	0108
SPRING, unloader, air compressor.....	1209	STUD, mounting, engine oil filter bracket.....	0106.2
SPRING, water pump impeller seal.....	0504	STUD, power take-off adapter to power take-off.....	2002
SPRING, winch brake band.....	2001	STUD, power take-off adapter to transmission.....	2002
SPRING, winch drag brake.....	2001	STUD, power take-off control bell crank.....	2002
SPRING, winch poppet.....	2001	STUD, radiator support.....	0501
SPRING SET, distributor governor weight.....	0604.1	STUD, rear axle differential carrier and cap.....	1102
STANDARD, spot light.....	0609.2	STUD, rear axle differential carrier to housing.....	1102
STEM, foot brake valve clutch valve.....	1208.1	STUD, rear axle drive shaft flange.....	1104
STEM, foot brake valve exhaust valve.....	1208.1	STUD, rear axle spur pinion bearing cage.....	1102
STEM, foot brake valve intake valve.....	1208.1	STUD, rear axle through shaft forward bearing cover....	1102
STEP, fender, center, assembly.....	1701	STUD, rear axle through shaft rear bearing cover.....	1102
STEP, stirrup, assembly.....	1701	STUD, rear brake camshaft bracket to housing.....	1202
STOP, Bendix drive pinion.....	0603	STUD, rear spring.....	1601
STOP, hand brake lever.....	1201	STUD, rear view mirror.....	2202
STOP, unloader, air compressor.....	1209	STUD, rear wheel hub, L.H.....	1311
STRAINER, air brake governor, assembly.....	1208.3	STUD, rear wheel hub, R.H.....	1311
STRAINER, air compressor, assembly.....	1209	STUD, seat.....	1806
STRAINER, oil, engine oil pan, w/water TRAP, assembly.....	0106.6	STUD, steering gear housing.....	1401
STRAP, adjusting, clutch flywheel ring.....	0201	STUD, support ignition coil.....	0605
STRAP, air reservoir tank.....	1209	STUD, transmission case to clutch housing, long.....	0701
STRAP, deck support, L.H.....	1805	STUD, transmission case to clutch housing, short.....	0701
STRAP, fuel tank bracket.....	0306	SUB-BASE, fifth wheel.....	1506
STRAP, fuel tank bracket, assembly.....	0306	SUPPORT, air compressor bracket.....	1209
STRIP, finish, floorboard, L.H.....	1805	SUPPORT, battery, assembly.....	0612
STRIP, finish, floorboard, R.H.....	1805	SUPPORT, cab, rear, assembly.....	1801
STRIP, finish, floorboard insert, front.....	1805	SUPPORT, deck, L.H., assembly.....	1805
STRIP, finish, floorboard insert, L.H.....	1805	SUPPORT, engine, front.....	0100
STRIP, finish, floorboard insert, R.H.....	1805	SUPPORT, engine, rear, L.H.....	0100
STRIP, retainer, floorboard insert.....	1805	SUPPORT, engine, rear, R.H.....	0100
STUB, transmission gear shift lever.....	0704	SUPPORT, front, transmission transfer.....	0800
STUD, air compressor bracket.....	1209	SUPPORT, horn and relay bracket.....	0611
STUD, air compressor cylinder block.....	1209	SUPPORT, liquid container bracket.....	1801
STUD, air compressor cylinder head.....	1209	SUPPORT, oil can bracket, assembly.....	1801
STUD, air compressor end cover.....	1209	SUPPORT, radiator, top.....	0501
STUD, ball, steering gear arm.....	1401	SUPPORT, radiator, w/BRACKET, assembly.....	0501
STUD, battery hold down frame.....	0612	SUPPORT, rear, transmission transfer.....	0800
STUD, battery hold down frame, long.....	0612	SUPPORT, rear quarter fender, rear, lower.....	1701
STUD, battery hold down frame, short.....	0612	SUPPORT, rear quarter fender, rear, upper.....	1701
STUD, brake anchor bracket.....	1201		

ALPHABETICAL INDEX (Cont'd)

Item	Group	Item	Group
SUPPORT, seat back, R.H., assembly	1806	TRANSMISSION, assembly (bare)	0700
SUPPORT, seat pan, R.H., assembly	1806	TRANSMISSION, assembly (complete with clutch housing and hand control)	0700
SUPPORT, side, floorboard, L.H., assembly	1805	TRANSMISSION, w/companion FLANGE, assembly (complete with clutch housing and hand control)	0700
SUPPORT, side, floorboard, R.H., assembly	1805	TREADLE, accelerator	0312
SUPPORT, transmission transfer control bracket	0804	TREADLE, accelerator, w/BRACKET, assembly	0312
SUPPRESSOR, radio suppression distributor	0604.1	TREADLE, accelerator, w/BUSHING, assembly	0312
SUPPRESSOR, radio suppression, spark plug	0605	TUBE, accelerator cross shaft	0312
SWITCH, blackout driving light	0608	TUBE, accelerator cross shaft, w/BUSHINGS, assembly	0312
SWITCH, blackout driving light, assembly	0608	TUBE, carburetor by-pass, assembly	0301
SWITCH, blackout lighting	0608	TUBE, carburetor by-pass, w/FITTINGS, assembly	0301
SWITCH, blackout lighting, assembly (rotary type)	0608	TUBE, carburetor main discharge	0301
SWITCH, foot dimmer, assembly	0608	TUBE, center, engine oil filter	0106.2
SWITCH, magnetic, cranking motor, assembly	0603	TUBE, cross, steering	1401
SWITCH, ignition	0605	TUBE, frame, trailer hose	1211
SWITCH, ignition, lever type	0605	TUBE, governor throttle rod	0308
SWITCH, instrument panel light, assembly	0608	TUBE, governor throttle rod, w/NUT, assembly	0308
SWITCH, series, parallel, cranking motor, assembly	0603	TUBE, new, 12.00-20, truck and bus	1313
SWITCH, stop light, assembly	1208.9	TUBE, oil, air compressor crankcase	1209
SWITCH, toggle, spot light	0608	TUBE, power take-off shift rod	2002
SWIVEL, carburetor air shutter lever	0301	TUBE, rear spring bracket, front	1601
T			
TAB, floorboard insert	1805	TUBE, steering drag link	1401
TAG, emergency line	1211	TUBE, steering gear jacket, w/ball bearing, UNIT, assembly	1401
TAG, service line	1211	TUBE, steering gear jacket, w/ball bearing UNIT and upper COVER, assembly	1401
TAKE-OFF, power, assembly	2002	TUBE, ventilator, engine carburetor adapter to crankcase	0106.5
TANK, air reservoir	1209	TUBE, ventilator, engine intake manifold to crankcase	0106.5
TANK, fuel, assembly	0306	TUBING, air brake lines	1208
TANK, fuel, front, assembly	0306	TUBING, engine oil, crankcase to governor, w/LOOM, assembly	0106.6
TANK, fuel, rear, assembly	0306	TUBING, engine viscometer to flexible line	0106.6
TAPE, anti-rattle, fuel tank bracket	0306	TUBING, fuel line, front tank to filter	0306
TAPE, anti-rattle, fuel tank bracket strap	0306	TUBING, fuel line, pump to carburetor	0306
TAPPET, engine valve	0105.2	TUBING, fuel line, rear tank to union	0306
TAPPET, engine valve, assembly	0105.2	TUBING, rear fuel line, union to filter	0306
TEE, air brake lines	1208	TUBING, windshield wiper	2202
TEE, engine oil pressure lines to viscometer and oil pressure gages	0106.6	TUBING, windshield wiper, assembly	2202
TERMINAL, battery ground cable (positive)	0612	TUBING, windshield wiper, center, L.H.	2202
TERMINAL, battery to magnetic switch cable	0612	TUBING, windshield wiper, center, R.H.	2202
TERMINAL, battery to series-parallel switch cable	0612	TUBING, windshield wiper, long	2202
TERMINAL, blackout parking light wire	0609.1	TUBING, windshield wiper, lower, L.H.	2202
TERMINAL, cranking motor field coil lead	0603	TUBING, windshield wiper, lower, R.H.	2202
TERMINAL, distributor high tension wire	0604.1	TUBING, windshield wiper, short	2202
TERMINAL, generator armature lead	0601	TUBING, windshield wiper, upper, L.H.	2202
TERMINAL, generator field coil	0601	TUBING, windshield wiper, upper, R.H.	2202
TERMINAL, head light	0609.1		
TERMINAL, low pressure indicator	1208.4	U	
TERMINAL, radio suppression, spark plug	0605	UNION, air brake lines (air compressor to air reservoir tank)	1208
TERMINAL, stop light switch	1208.9	UNION, fuel tank equalizing line	0306
THERMOSTAT, w/copper GASKET, assembly	0503	UNIT, ball bearing, steering gear jacket tube, assembly	1401
THERMOSTAT, w/rubber GASKET, assembly	0503	UNIT, gage, fuel tank, assembly	0306
THROWER, oil, engine accessory drive shaft	0109	UNIT SET, steering gear lever shaft stud and roller bearing (1 pair matched units)	1401
THROWER, oil, generator drive end	0601	V	
TIRE, pneumatic, new, 12.00-20, 14 ply, truck and bus, mud and snow tread	1313	VALVE, air brake governor, lower	1208.3
TOEBOARD, L.H.	1805	VALVE, air brake governor, upper	1208.3
TOEBOARD, R.H.	1805	VALVE, air brake governor, upper assembly	1203.3
TOEBOARD, L.H., assembly	1805	VALVE, air supply, w/CAP, assembly	1208.8
TOEBOARD, R.H., assembly	1805	VALVE, air supply, w/CAP and CHAIN, assembly	1208.8
TOP, cab, assembly	2201	VALVE, brake, foot, assembly	1208.1
TOP, cab, w/CURTAINS and RODS, assembly	1800		
TOP, cowl bar panel	1804		
TRANSFER, transmission, w/companion FLANGES, assembly	0800		
TRANSFER, transmission, w/declutch shaft companion FLANGE, assembly	0800		

ALPHABETICAL INDEX (Cont'd)

Item	Group	Item	Group
VALVE, brake, hand.....	1208.1	WASHER, foot brake valve shim.....	1208.1
VALVE, butterfly, governor.....	0308	WASHER, front axle differential carrier to housing through bolt.....	1002
VALVE, carburetor power jet, assembly, No. 13.....	0301	WASHER, front axle drive shaft seal retaining.....	1006
VALVE, check, carburetor, assembly.....	0301	WASHER, front axle spur pinion bearing.....	1002
VALVE, discharge, air compressor.....	1209	WASHER, front propeller shaft sleeve yoke dust cap, felt	0900
VALVE, double, windshield wiper.....	2202	WASHER, front propeller shaft sleeve yoke dust cap, steel.....	0900
VALVE, engine crankcase ventilator.....	0106.5	WASHER, front wheel bearing adjusting nut, inner.....	1311
VALVE, double check, shuttle type, assembly.....	1208.7	WASHER, front wheel bearing adjusting nut, outer.....	1311
VALVE, exhaust, engine.....	0105.1	WASHER, fuel pump rocker arm pin.....	0302
VALVE, exhaust, foot brake valve, assembly.....	1208.1	WASHER, hand brake valve spring.....	1208.1
VALVE, fuel carburetor, w/XSEAT, assembly, No. 55...	0301	WASHER, head light mounting nut.....	0609.1
VALVE, fuel pump.....	0302	WASHER, insulating, armature terminal, outer.....	0601
VALVE, fuel pump, w/CAGE, assembly.....	0302	WASHER, insulating, cranking motor brush holder.....	0603
VALVE, intake, engine.....	0105.1	WASHER, insulating, cranking motor brush holder rivet	0603
VALVE, intake, foot brake valve, assembly.....	1208.1	WASHER, insulating, cranking motor series parallel switch terminal stud.....	0603
VALVE, intake and exhaust, hand brake valve, assembly	1208.1	WASHER, insulating, cranking motor terminal post....	0603
VALVE, pressure relief, engine oil.....	0106.4	WASHER, insulating, cranking motor terminal stud....	0603
VALVE, quick release, assembly.....	1208.6	WASHER, insulating, field terminal.....	0601
VALVE, regulating, windshield wiper, assembly.....	2202	WASHER, insulating, generator regulator circuit breaker stationary bracket.....	0602
VALVE, relay, assembly.....	1208.5	WASHER, insulating, terminal post.....	0604.1
VALVE, relief, front, intermediate and rear propeller shaft journal.....	0900	WASHER, intermediate and rear propeller shaft sleeve yoke dust cap, felt.....	0900
VALVE, safety, air brake, assembly.....	1208.8	WASHER, intermediate and rear propeller shaft sleeve yoke dust cap, steel.....	0900
VALVE, shuttle, double check (also part of KIT, AUC-25UU0226S).....	1208.7	WASHER, lead, engine valve cover screw.....	0105.2
VALVE, shuttle, double check.....	1208.7	WASHER, lock, air brake governor case.....	1208
VALVE, single, windshield wiper.....	2202	WASHER, lock, air compressor box cover and inlet chamber cover screw.....	1209
VALVE, single check, assembly.....	1208.7	WASHER, lock, air compressor cylinder block stud....	1209
VALVE, supply, relay valve.....	1208.5	WASHER, lock, air compressor end cover stud.....	1209
VALVE, unloader, air compressor.....	1209	WASHER, lock, Bendix drive spring screw.....	0603
VENTILATOR, cab roof.....	1804	WASHER, lock, clutch flywheel ring stud nut.....	0201
VENTURI, carburetor, No. 33.....	0301	WASHER, lock, cranking motor Bendix drive spring screw.....	0603
VISCOMETER, assembly.....	0106.6	WASHER, lock, double check valve.....	1208.7
W			
WASHER, air supply valve key.....	1208.8	WASHER, lock, exhaust pipe flange.....	0401
WASHER, alinement, fuel pump diaphragm.....	0302	WASHER, lock, fan bearing clamp nut.....	0505
WASHER, camshaft gear nut.....	0105.4	WASHER, lock, fuel pump cover screw.....	0302
WASHER, carburetor air shutter lever swivel.....	0301	WASHER, lock, fuel pump pull rod nut.....	0302
WASHER, clamp, fan bracket, front.....	0505	WASHER, lock, generator air deflector mounting.....	0601
WASHER, clamp, fan bracket, rear.....	0505	WASHER, lock, generator cover mounting.....	0601
WASHER, clamping, low pressure indicator terminal screw.....	1208.4	WASHER, lock, generator field terminal.....	0601
WASHER, clutch pressure plate retracting spring.....	0201	WASHER, lock, generator frame screw.....	0601
WASHER, cork, fan bearing.....	0505	WASHER, lock, hand brake valve clamp screw.....	1208.1
WASHER, cranking motor brush holder rivet.....	0603	WASHER, lock, hand brake valve cover bolt.....	1208.1
WASHER, cranking motor magnetic switch base mounting screw.....	0603	WASHER, lock, foot brake valve cover bolt.....	1208.1
WASHER, cranking motor series parallel switch contact cushion spring retainer.....	0603	WASHER, lock, foot brake valve intake valve.....	1208.1
WASHER, cranking motor series parallel switch terminal plate mounting screw.....	0603	WASHER, lock, rear air brake chamber.....	1208.2
WASHER, cranking motor shaft drive end.....	0603	WASHER, lock, relay valve.....	1208.5
WASHER, diaphragm, low pressure indicator.....	1208.4	WASHER, lock, transmission drive shaft bearing.....	0702.1
WASHER, distributor cam spacing.....	0604.1	WASHER, lock, transmission main shaft lock nut.....	0702.2
WASHER, engine exhaust manifold mounting stud.....	0108	WASHER, lock, water pump bearing.....	0504
WASHER, engine intake manifold mounting stud.....	0108	WASHER, low pressure indicator terminal screw.....	1208.4
WASHER, engine oil pump drive gear.....	0106.1	WASHER, low pressure indicator diaphragm.....	1208.4
WASHER, engine valve cover screw.....	0105.2	WASHER, pintle.....	1503
WASHER, felt, distributor seal plate.....	0604.1	WASHER, plain, cranking motor series parallel switch terminal plate mounting screw.....	0603
WASHER, felt, front axle drive shaft seal.....	1006	WASHER, plain, cranking motor terminal post, inner..	0603
WASHER, felt, generator commutator end, inner.....	0601	WASHER, plain, distributor breaker arm spring clip screw.....	0604.1
WASHER, felt, generator commutator end, outer.....	0601	WASHER, plain, engine distributor housing.....	0109
WASHER, fifth wheel coupler jaw pin.....	1506	WASHER, plain, front axle companion flange.....	1000
WASHER, fifth wheel lock plunger stud.....	1506		
WASHER, foot brake valve diaphragm.....	1208.1		

ALPHABETICAL INDEX (Cont'd)

Item	Group	Item	Group
WASHER, plain, gear shift finish plate.....	1805	WASHER, winch brake band spring.....	2001
WASHER, plain, generator armature terminal.....	0601	WASHER, winch drum shaft.....	2001
WASHER, plain, generator field terminal.....	0601	WASHER, windshield frame adjusting knob.....	1804
WASHER, plain, low pressure indicator terminal.....	1208.4	WASHER, windshield quadrant arm.....	1804
WASHER, plain, muffler clamp.....	0401	WASHER, windshield quadrant arm spacer.....	1804
WASHER, plain, rear brake camshaft spacing.....	1202	WEATHERSTRIP, cab door.....	1804
WASHER, plain, rear engine support insulator screw...	0100	WEATHERSTRIP, cab door opening.....	1804
WASHER, plain, terminal post.....	0604.1	WEATHERSTRIP, cowl bar panel.....	1804
WASHER, plain, transmission countershaft rear bearing	0702.3	WEATHERSTRIP, radiator side, L.H., assembly.....	1804
WASHER, plain, transmission transfer power take-off		WEATHERSTRIP, radiator side, R.H., assembly.....	1804
clutch.....	0802.1	WEATHERSTRIP, radiator top, assembly.....	1804
WASHER, plate, rear air brake chamber.....	1208.2	WEATHERSTRIP, windshield opening.....	1804
WASHER, pronged, steering gear lever shaft stud and		WEDGE, adjusting, fifth wheel.....	1506
roller bearing unit.....	1401	WEIGHT, distributor governor.....	0604.1
WASHER, protector, fuel pump lower diaphragm.....	0302	WEIGHT, governor.....	0308
WASHER, protector, fuel pump upper diaphragm.....	0302	WELL, metering, carburetor.....	0301
WASHER, rear axle spur pinion bearing.....	1102	WELT, front fender.....	1701
WASHER, rear brake slack adjuster.....	1202	WHEEL, front and rear.....	1311
WASHER, rear spring shackle.....	1601	WHEEL, steering gear.....	1401
WASHER, rear spring stud, inner.....	1601	WICK, felt, distributor cam sleeve.....	0604.1
WASHER, rear wheel bearing adjusting nut.....	1311	WICK, oil, clutch release sleeve.....	0202
WASHER, relay valve diaphragm.....	1208.5	WICK, oil, engine crankshaft.....	0102
WASHER, retainer, cab roof insulator.....	1804	WICK, oil, engine crankshaft, assembly.....	0102
WASHER, retaining, fan bearing cork.....	0505	WINCH, assembly.....	2001
WASHER, retaining, fan spindle bearing, front.....	0505	WINDSHIELD, assembly.....	1804
WASHER, retaining, winch brake disk.....	2001	WINDSHIELD, L.H., assembly.....	1804
WASHER, rubber, generator voltage regulator cover		WINDSHIELD, R.H., assembly.....	1804
mounting.....	0602	WIPER, windshield, assembly.....	2202
WASHER, seal, low pressure indicator lower terminal		WIRE, choke control, assembly.....	0312
screw.....	1208.4	WIRE, high tension, ignition, assembly.....	0605
WASHER, spring, windshield outer frame quadrant....	1804	WIRE, ignition, spark plug.....	0605
WASHER, spring, windshield quadrant arm screw.....	1804	WIRE, jumper, ammeter to ignition switch, assembly...	0607
WASHER, steering gear horn button contact.....	0611	WIRE, jumper, auxiliary ammeter to ground, assembly...	0607
WASHER, stop light switch.....	1208.9	WIRE, jumper, auxiliary ammeter to light switch,	
WASHER, terminal, low pressure indicator.....	1208.4	assembly.....	0607
WASHER, thrust, carburetor air shutter shaft.....	0301	WIRE, jumper, blackout lighting switch to driving light	
WASHER, thrust, cranking motor armature shaft.....	0603	switch.....	0608
WASHER, thrust, distributor advance arm.....	0604.1	WIRE, jumper, blackout switch to instrument light	
WASHER, thrust, distributor shaft, lower.....	0604.1	switch, assembly.....	0607
WASHER, thrust, distributor shaft, upper.....	0604.1	WIRE, jumper, blackout switch to spot light switch,	
WASHER, thrust, engine accessory drive shaft, bz.....	0109	assembly.....	0609.2
WASHER, thrust, engine camshaft.....	0105.3	WIRE, jumper, circuit breaker to fuel gage, assembly...	0607
WASHER, thrust, engine idler shaft gear.....	0105.5	WIRE, jumper, circuit breaker to horn, assembly.....	0611
WASHER, thrust, front axle differential pinion.....	1002	WIRE, jumper, horn relay to horn, assembly.....	0611
WASHER, thrust, front axle differential side gear.....	1002	WIRE, jumper, ignition to circuit breaker, assembly....	0607
WASHER, thrust, power take-off adapter gear.....	2002	WIRE, jumper, low pressure buzzer, assembly.....	0607
WASHER, thrust, power take-off idler and intermediate		WIRE, jumper, magnetic switch feed, assembly.....	0612
gears.....	2002	WIRE, jumper magnetic switch to circuit breaker,	
WASHER, thrust, rear axle differential pinion.....	1102	assembly.....	0612
WASHER, thrust, rear axle differential side gear.....	1102	WIRE, jumper, radio suppression, filter to ammeter,	
WASHER, thrust, winch worm gear.....	2001	assembly.....	0607
WASHER, tongue, engine accessory drive shaft.....	0109	WIRE, jumper, radio suppression, filter to ignition coil,	
WASHER, transmission countershaft front bearing.....	0702.3	assembly.....	0605
WASHER, transmission countershaft front bearing lock		WIRE, jumper, radio suppression, filter to ignition switch,	
nut.....	0702.3	assembly.....	0605
WASHER, transmission countershaft rear bearing lock		WIRE, jumper, radio suppression, regulator to filter,	
nut.....	0702.3	assembly.....	0602
WASHER, transmission reverse gear needle bearing, front	0702.3	WIRE, jumper, series-parallel switch to circuit breaker,	
WASHER, transmission reverse gear needle bearing, rear	0702.3	assembly.....	0612
WASHER, transmission transfer idler shaft.....	0802.2	WIRE, jumper, series-parallel switch to magnetic switch,	
WASHER, transmission transfer main drive gear idler		assembly.....	0612
bearing.....	0802.1	WIRE, jumper, trailer receptacle to ground, assembly...	0613.1
WASHER, transmission transfer main shaft rear bearing.	0802.1	WIRE, lock, air compressor piston pin.....	1209
WASHER, transmission transfer output shaft.....	0802.3	WIRE, lock, fan bearing cork retainer.....	0505
WASHER, water pump impeller seal.....	0504	WIRE, low tension, ignition, assembly.....	0605
WASHER, water pump packing.....	0504	WIRE, throttle control, assembly.....	0312

ALPHABETICAL INDEX (Cont'd)

Item	Group	Item	Group
WORM, slack adjuster.....	1202	YOKE, rod end, adjustable, light, S., 1/2 in., brake pedal control rod.....	1206
WORM, winch, R.H., assembly.....	2001	YOKE, rod end, adjustable, light, S., 1/2 in., hand brake forward rod.....	1201
Y			
YOKE, flange, front propeller shaft.....	0900	YOKE, rod end, adjustable, light, S., 1/2 in., hand brake push rod.....	1201
YOKE, flange, intermediate propeller shaft.....	0900	YOKE, rod end, adjustable, light, S., 1/2 in., power take-off rear shift rod.....	2002
YOKE, flange, rear propeller shaft (fixed end).....	0900	YOKE, rod end, adjustable, light, S., 1/2 in., transmission transfer declutch shift control rod.....	0804
YOKE, flange, rear propeller shaft (spline end).....	0900	YOKE, rod end, adjustable, light, S., 1/2 in., transmission transfer gear shift control rod.....	0804
YOKE, front air brake chamber.....	1208.2	YOKE, rod end, adjustable, light, S., 1/2 in., 1.135 in. wide opening, hand brake rear rod.....	1201
YOKE, front propeller shaft slip joint sleeve.....	0900	YOKE, rod end, power take-off front shift rod.....	2002
YOKE, governor.....	0308	YOKE, shift, power take-off.....	2002
YOKE, intermediate and rear propeller shaft slip joint sleeve.....	0900	YOKE, winch clutch, assembly.....	2001
YOKE, rear air brake chamber.....	1208.2		
YOKE, rod end, adjustable, 1/2 in., clutch control rod....	0202		
YOKE, rod end, adjustable, light, S., 7/16 in., power take-off rear shift rod.....	2002		