

**ARMY TM 11-6625-2735-14
NAVY NAVELEX 0969-LP-170-1090
AIR FORCE TO 33A1-13-498-1**

**OPERATOR'S, ORGANIZATIONAL, DIRECT SUPPORT,
AND GENERAL SUPPORT MAINTENANCE MANUAL
(INCLUDING DEPOT MAINTENANCE)
FOR
OSCILLOSCOPE 0S-261/U
(NSN 6625-00-127-0079)**

**DEPARTMENTS OF THE ARMY, THE NAVY, AND THE AIR FORCE
26 MARCH 1979**

WARNING

DANGEROUS VOLTAGES EXIST IN THIS EQUIPMENT

Dangerous potentials exist at several points throughout this equipment. When the equipment is operated with the covers removed, **DO NOT** touch exposed connections or components. Some transistors have voltages present on their cases. Disconnect power before cleaning the equipment or replacing parts.

DON'T TAKE CHANCES!

Technical Manual
No. 11-6625-2735-14
Technical Manual
NAVELEX 0969-LP-170-1090
Technical Order
TO 33A1-13-498-1

DEPARTMENTS OF THE ARMY, THE NAVY,
AND THE AIR FORCE

Washington, DC, 26 March 1979

OPERATOR'S, ORGANIZATIONAL, DIRECT SUPPORT,
GENERAL SUPPORT, AND DEPOT MAINTENANCE
MANUAL
FOR
OSCILLOSCOPE OS-261/U
(NSN 6625-00-127-0079)

REPORTING OF ERRORS

You can improve this manual by recommending improvements using DA Form 2028-2 located in the back of the manual. Simply tear out the self-addressed form, fill it out as shown on the sample, fold it where shown, and drop it in the mail.

If there are no blank DA Forms 2028-2 in the back of your manual, use the standard DA Form 2028 (Recommended Changes to Publications and Blank Forms) and forwarded to the Commander, US Army Communications and Electronics Materiel Readiness Command, ATTN: DRSEL-ME-MQ, Fort Monmouth, NJ 07703.

For Air Force, submit AFTO Form 22 (Technical Order System Publication Improvement Report and Reply) in accordance with paragraph 6-5, Section VI, T.O. 00-5-1. Forward direct to prime ALC/MST.

For Navy, mail comments to the Commander, Naval Electronics Systems Command, Training and Publications Management Office, ELEX 04F3, P.O. Box 80337, San Diego, California 92138.

In either case, a reply will be furnished direct to you.

TABLE OF CONTENTS

	Page
Section 0	INTRODUCTION
	scope0-1
	Indexes of Publications0-1
	Forms and Records0-1
	Reporting Equipment Improvement Recommendations (EIR)0-1
	Administrative Storage0-1
	Destruction of Army Electronics Materiel 0-1
Section 1	SPECIFICATION
	Introduction1-1
	Vertical Deflection System1-1
	Triggering 1-1
	Horizontal Deflection System 1-2
	X-Y operation 1-3
	Calibrator1-3
	Z Axis Input1-3

TABLE OF CONTENTS

		Page
	Signal Outputs.....	1-3
	Power Source.....	1-3
	Cathode-Ray Tube.....	1-4
	Environmental.....	1-4
	Supplemental Information.....	1-4
Section 2	OPERATING INFORMATION	
	Introduction.....	2-1
	Operating Voltage.....	2-1
	Controls And Connectors	
	General.....	2-2
	Cathode-Ray Tube (CRT) and Display.....	2-2
	Vertical Deflection System.....	2-2
	A and B Triggering.....	2-4
	A and B Sweep.....	2-5
	Calibrator and Power.....	2-6
	Rear Panel.....	2-6
	Obtaining Basic Displays	
	introduction.....	2-6
	Normal Sweep Display.....	2-6
	Magnified Sweep Display.....	2-7
	Delayed Sweep Display.....	2-7
	Mixed Sweep Display.....	2-7
	X-Y Display.....	2-7
Section 3	CIRCUIT DESCRIPTION	
	Introduction.....	3-1
	Digital Logic.....	3-1
	Block Diagram.....	3-2
	General.....	3-2
	Channel 1 Preamp.....	3-3
	General.....	3-3
	Input Coupling.....	3-3
	Input Attenuator.....	3-3
	First Cascade Amplifier.....	3-4
	Second Cascade Amplifier.....	3-4
	Third Cascade Amplifier.....	3-4
	Channel 2 Preamp.....	3-5
	General.....	3-5
	First Cascade Amplifier.....	3-5
	Vertical Channel Switching Circuit.....	3-5
	General.....	3-5
	Channel Switch IC.....	3-5
	Switching Logic Flip-Flops.....	3-6
	Two-Megahertz Clock.....	3-6
	Chop Blanking Amplifier.....	3-7
	Channel 2 Signal Output Amplifier.....	3-7
	Normal Trigger Pickoff Amplifier.....	3-7
	Scale-Factor Switching Circuits.....	3-7
	Vertical Output Amplifier.....	3-7
	General.....	3-7
	First IC Amplifier.....	3-7
	Second IC Amplifier.....	3-7
	A Trigger Generator.....	3-7
	General.....	3-7
	Trigger Source.....	3-8
	Trigger Coupling.....	3-8
	Input Source Follower.....	3-8
	Paraphase Amplifier.....	3-8
	Tunnel Diode Driver.....	3-9
	Trigger View Amplifier.....	3-9
	B Trigger Generator.....	3-9
	General.....	3-9
	Trigger Source.....	3-9

TABLE OF CONTENTS

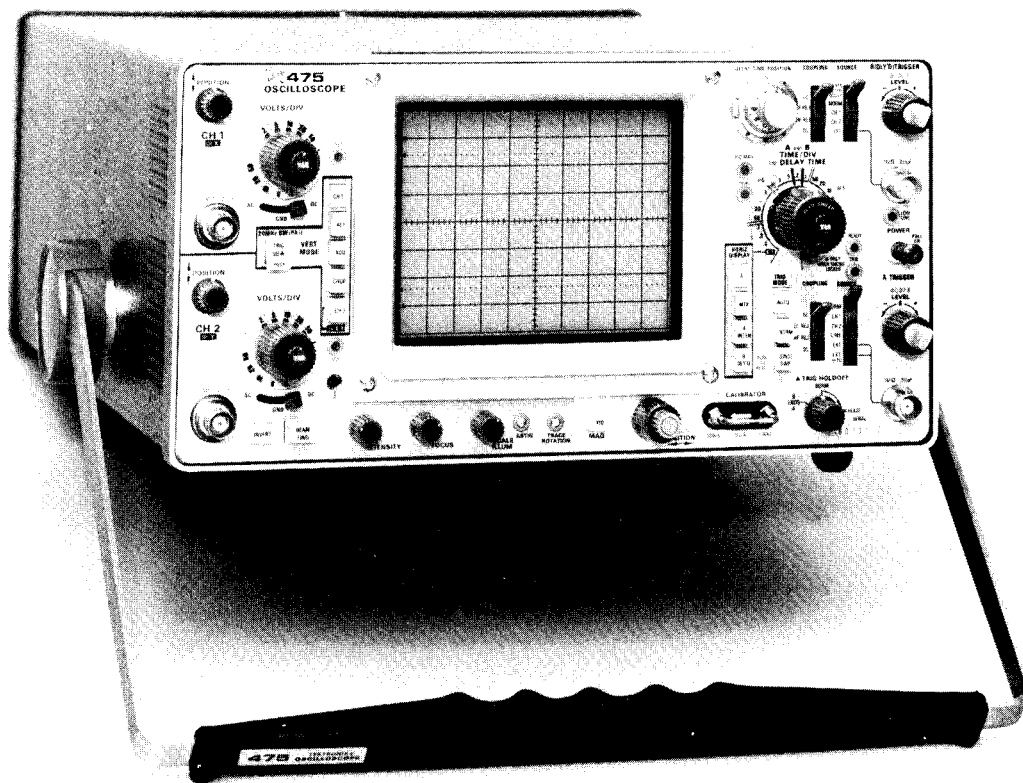
	Page
Sweep And Z Axis Logic Circuit	3-9
General	3-9
Sweep Control IC	3-9
Main Gate Comparator	3-10
Delayed Gate Comparator	3-10
A Trigger TD Reset Circuit	3-10
Holdoff Start Circuit	3-10
Z Axis Logic Multivibrator	3-11
Delayed Sweep Latch	3-11
B Trigger TD Reset Circuit	3-11
Delayed Sweep Override Amplifier.	3-11
A + Gate And B + Gate Amplifiers.	3-11
Sweep Generators	3-12
General	3-12
Delaying Sweep Generator	3-12
Main Gate Amplifier	3-12
Sweep Disconnect Amplifier	3-12
Sawtooth Sweep Generator	3-13
Sweep Start Amplifier	3-13
Output Buffer Amplifier	3-13
Logic Comparator	3-13
Delay Pickoff Comparator	3-13
Non-Delaying Sweep Generators.	3-14
“B” Gate Amplifier	3-14
Non-Delaying Sweep Generator Differences	3-14
Mixed Mode Operation	3-14
Logic Comparator	3-14
Horizontal Amplifier	3-15
General	3-15
Input Paraphase Amplifier	3-15
Gain Setting Amplifier	3-15
Output Amplifier	3-16
Low-Voltage Power Supply	3-16
General	3-16
Power Input	3-16
Secondary Circuit	3-16
CRT Circuit	3-16
General	3-16
High-Voltage Oscillator	3-16
High-Voltage Regulator	3-18
High-Voltage Rectifiers and Output	3-19
CRT Control Circuits	3-19
Z-Axis Amplifier	3-19
DC Restorer Circuit	3-20
Calibrator	3-20
General	3-20
Multivibrator	3-20
Output Amplifier	3-20
Fan Motor Circuit	3-20
General	3-20

Section 4

MAINTENANCE	
Cabinet Removal	4-1
Preventive Maintenance	
General	4-1
Cleaning	4-1
Lubrication	4-2
Transistor Checks	4-2
Recalibration	4-2
Corrective Maintenance	
General	4-2
Obtaining Replacement Parts	4-2
Soldering Techniques	4-3
Component Replacement	4-3
Vertical Preamp Circuit Board Removal	4-3

TABLE OF CONTENTS

		Page
	Vertical Mode Switch Circuit Board Removal	4-4
	Trigger Generator And Sweep Logic Circuit Board Removal	4-4
	Sweep Timing Circuit Board Removal	4-4
	Recalibration After Repair	4-5
	Instrument Repackaging	4-5
Section 5	CALIBRATION	
	Calibration Interval	5-1
	Tektronix Field Service	5-1
	Using This Procedure	5-1
	Test Equipment Required	5-1
	General	5-1
	Special Calibration Fixtures	5-1
	Calibration Equipment Alternatives	5-1
	Preliminary Control Settings	5-4
	Performance Check	5-5
	Introduction	5-5
	Index	5-5
	Preliminary Procedure	5-5
	Vertical System Check	5-6
	Trigger System Check	5-9
	Horizontal System Check	5-11
	Short-Form Calibration	5-14
	Introduction	5-14
	Preliminary Procedure	5-14
	Power Supplies & Display Calibration	5-14
	Vertical System Calibration	5-15
	Trigger System Calibration	5-18
	Horizontal System Calibration..	5-19
	Calibration	5-23
	Introduction	5-23
	Index	5-23
	Preliminary Procedure	5-24
	Power Supply Calibration	5-25
	Display & Z-Axis Calibration	5-26
	Vertical System Calibration	5-28
	Trigger System Calibration	5-40
	Horizontal System Calibration..	5-49
	Calibrator, + Gates, & External Z-Axis Calibration	5-59
Section 6	ELECTRICAL PARTS LIST	
Section 7	DIAGRAMS AND CIRCUIT BOARD ILLUSTRATIONS	
Section 8	MECHANICAL PARTS LIST AND ILLUSTRATIONS	
Appendix A.	REFERENCES	A-1
	B. COMPONENTS OF END ITEM LIST (COEIL) (Not applicable)	
	C. ADDITIONAL AUTHORIZATION LIST (AAL) (Not applicable)	
	D. MAINTENANCE ALLOCATION	
Section	I. Introduction	D-1
	II. Maintenance allocation chart.....	D-5
	III. Tool and Test Equipment Requirements	D-6
	IV. Remarks	D-7
Appendix E.	EXPENDABLE SUPPLIES AND MATERIALS LIST (ES&ML)	
	(Not applicable)	



475 Oscilloscope

SECTION 0 INTRODUCTION

0-1. Scope

This manual contains instructions for the operation and organizational, direct support, general support and depot maintenance of Oscilloscope OS-261/U. Throughout this manual Oscilloscope OS-261/U is referred to as oscilloscope 475.

0-2. Indexes of Publications

a. DA Pam 310-4. Refer to the latest issue of DA Pam 310-4 to determine whether there are new editions, changes, or additional publications pertaining to the equipment.

b. DA Pam 310-7. Refer to DA Pam 310-7 to determine whether there are modification work orders (MWO's) pertaining to the equipment.

0-3. Forms and Records

a. Reports of Maintenance and Unsatisfactory Equipment. Maintenance forms, records, and reports which are to be used by maintenance personnel at all maintenance levels are listed in and prescribed by TM 38-750 (Army). Air Force personnel will use AFM 66-1 for maintenance reporting and TO-00-35D54 for unsatisfactory equipment reporting. Navy personnel will report maintenance performed utilizing the Maintenance Data Collection Subsystem (MDCS) IAW OPNAVINST 4790.2, Vol 3 and unsatisfactory material/conditions (UR submission) IAW OPNAVINST 4790.2, Vol 2, chapter 17.

b. Report of Packaging and Handling Deficiencies. Fill out and forward DD Form 6 (Packaging Improvement Report) as prescribed in AR 700-58/NAVSUPINST 4030.29/AFR 71-13/MCO P4030.29A, and DSAR 4145.8.

c. Discrepancy in Shipment Report (DISREP) (SF 361). Fill out and forward Discrepancy in Shipment Report (DISREP) (SF 361) as prescribed in AR 55-38/NAVSUPINST 4610.33B/AFR 75-18/MCO P4610.19C and DLAR 4500.15.

0-4. Reporting Equipment Improvement Recommendations (EIR)

a. Army. EIR's will be prepared using Standard Form 368, Quality Deficiency Report. Instructions for preparing EIR's are provided in TM 38-750, The Army Maintenance Management System. EIR's should be mailed direct to Commander, US Army Communications and Electronics Materiel Readiness Command, ATTN: DRSEL-ME-MQ, Fort Monmouth, NJ 07703. A reply will be furnished direct to you.

b. Navy. Navy personnel are encouraged to submit EIR's through their local Beneficial Suggestion Program.

c. Air Force. Air Force personnel are encouraged to submit EIR's in accordance with AFM 900-4.

0-5. Administrative Storage

a. To prepare Oscilloscope OS-261/U for administrative storage, perform the procedures in Section 4, Maintenance.

b. Upon removal from administrative storage, perform the procedures described in Section 4, Maintenance and Section 2, Operating Information.

0-6. Destruction of Army Electronics Materiel

Destruction of Army electronics materiel to prevent enemy use shall be in accordance with TM 750-244-2.

SPECIFICATION

Introduction

The 475 Oscilloscope is a wide bandwidth, portable oscilloscope designed to operate in a wide range of environmental conditions. The instrument is light in weight and compact of design for ease of transportation, yet capable of performance necessary for accurate high-frequency measurements. The dual-channel, DC-to-200 megahertz vertical deflection system provides calibrated deflection factors from 2 millivolts to 5 volts/division. The bandwidth limiting switch reduces interference from signals above about 20 megahertz for viewing low-frequency, low-level signals.

The trigger circuits provide stable sweep triggering to beyond the bandwidth of the vertical deflection system. Separate controls are provided to select the desired mode of triggering for the A and B sweeps. The A sweep can be operated in one of three modes; automatic triggering, normal triggering, or single sweep. A variable trigger holdoff control provides the ability for A sweep to trigger in a stable manner on aperiodic signals or complex digital

words. The horizontal deflection system has calibrated sweep rates from .5 second to .01 microsecond/division. A X10 magnifier increases each sweep rate by a factor of 10 to provide a maximum sweep rate of one nanosecond/division in the .01 μ s position. The delayed and mixed sweep features allow the start of B sweep to be delayed a selected amount from the start of A sweep to provide accurate relative-time measurements. Calibrated X-Y measurements can be made with Channel 2 providing the vertical deflection and Channel 1 providing the horizontal deflection (TIME/DIV switch fully counterclockwise and VERT MODE switch to CH 2). The regulated DC power supplies ensure that instrument performance is not affected by variations in line voltage and frequency. Maximum power consumption of the instrument is approximately 100 watts.

The following instrument specifications apply over an ambient temperature range of -15°C to +55°C unless otherwise specified. Warm-up time for specified accuracies is 20 minutes. The calibration procedure given in section 5, if performed completely, will allow an instrument to meet the electrical characteristics listed below.

VERTICAL DEFLECTION SYSTEM

Deflection Factor

Calibrated range is from 2 millivolts to 5 volts per division in 11 steps in a 1-2-5 sequence. Accuracy is within 3%. Uncalibrated VAR control provides deflection factors continuously variable between the calibrated settings. Extends deflection factor to at least 12.5 volts per division in the 5 volts/div position.

Frequency Response

Bandwidth in both Channel 1 and Channel 2 is DC to at least 200 megahertz. Risetime is 1.75 nanoseconds or less¹. The AC-coupled lower -3 dB point is 10 hertz or less (1 hertz or less when using a 10X probe). Vertical system bandwidth with the BW LIMIT pushbutton pulled is approximately 20 megahertz.

Chopped Mode Repetition Rate

Approximately one megahertz.

Input Resistance And Capacitance

One megohm within 2%, paralleled by approximately 20 picofarads.

¹Risetime (in nanoseconds) is calculated from the formula 0.35 divided by bandwidth (in megahertz).

Maximum Input Voltage

DC coupled: 250 V (DC + peak AC) or 500 V P-P AC at 1 kHz or less.

AC coupled: 500 V (DC + peak AC) or 500 V P-P AC at 1 kHz or less.

Cascaded Operation (CH 2 VERTICAL SIGNAL OUT connected to CH 1 OR X)

Bandwidth is DC to at least 50 MHz with a sensitivity of approximately 400 μ V/division.

TRIGGERING

Sensitivity

DC Coupled: 0.3 division internal or 50 millivolts external from DC to 40 megahertz, increasing to 1.5 divisions internal or 250 millivolts external at 200 megahertz.

AC Coupled: 0.3 division internal or 50 millivolts external from 60 hertz to 40 megahertz, increasing to 1.5 divisions internal or 250 millivolts external at 200 megahertz. Attenuates all signals below about 60 hertz.

Specification-475

LF REJ Coupled: 0.5 division internal or 100 millivolts external from 50 kilohertz to 40 megahertz, increasing to 1.5 divisions internal or 500 millivolts external at 200 megahertz. Blocks DC and attenuates all signals below about 50 kilohertz.

HF REJ Coupled: 0.5 division internal or 100 millivolts external from 60 hertz to 50 kilohertz. Blocks DC and attenuates all signals below about 60 hertz and above about 50 kilohertz.

Trigger Jitter

0.2 nanosecond or less at 200 megahertz at 1 nanosecond/division (X10 MAG on).

External Trigger Input

Maximum input voltage is 250 V DC + peak AC or 250 V P-P AC (1 kilohertz or less). Input impedance is 1 megohm within 10%, paralleled by approximately 20 picofarads.

LEVEL Control Range

EXT: At least + and -2 volts, 4 volts peak to peak,

EXT \times 10: At least + and -20 volts, 40 volts peak to peak.

Exclude the LF REJ coupling mode.

Trigger View Deflection Factor

Approximately 50 millivolts/division,

HORIZONTAL DEFLECTION SYSTEM

Calibrated Sweep Range

A Sweep or B DLYD Sweep: from 0.5 second/division to 0.01 microsecond/division in 24 steps in a 1-2-5 sequence. X10 MAG extends maximum sweep rate to 1 nanosecond/division.

A Delaying Sweep: from 0.5 second/division to 0.05 microsecond/division in 22 steps in a 1-2-5 sequence.

Calibrated Sweep Accuracy (Over full ten horizontal divisions)

	X1 MAG	X10 MAG
+20°C to +30°C		
A or B DLYD Sweep		
5 ms/div to 0.01 μ s/div	$\pm 1\%$	$\pm 2\%$
.5 s/div to 10 ms/div	$\pm 2\%$	$\pm 3\%$
A INT Sweep		
All rates	$\pm 2\%$	$\pm 3\%$
-15°C to +55°C		
All Sweeps, All Rates	$\pm 3\%$	$\pm 4\%$

X10 Magnified Sweep Accuracy

Within 5% over any two-division interval.

Mixed Sweep Accuracy

Within 3% over 8 horizontal divisions.

Variable Time/Division Control Range

Provides continuously variable (uncalibrated) sweep rates between the calibrated settings of the TIME/DIV switch. Extends the slowest A sweep rate to at least 1.25 seconds/division.

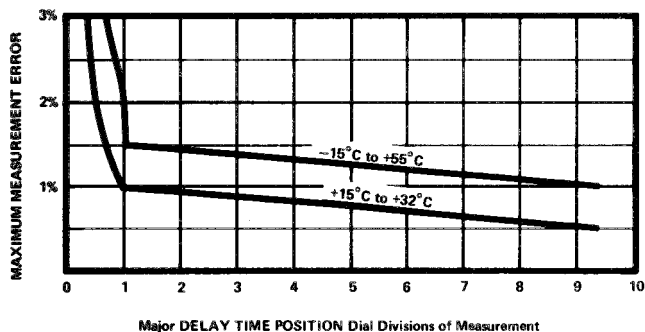
A Trigger Holdoff

Increases A sweep holdoff time to at least nine times the TIME/DIV switch setting.

Delay Time And Differential Time Measurement Accuracy (Simplified)

	+15°C to +35°C (+60°F to +95°F)	-15°C to +55°C (+5°F to +131°F)
Over One Or More Major Dial Divisions	$\pm 1\%$	$\pm 1.5\%$
Over Less Than One Major Dial Division	± 0.01 Major Dial Division	± 0.02 Major Dial Division

Delay Time And Differential Time Measurement Accuracy (Detailed)



Delay Pickoff Jitter

Within 0.002% (less than one part in 50,000) of the maximum available delay time when operating the instrument on power line frequencies other than 50 hertz.

Within 0.005% (less than one part in 20,000) of the maximum available delay time when operating the instrument on power line frequency of 50 hertz.

Maximum available delay time is ten times the setting of the A TIME/DIV switch.

Delay Range

From 0.05 microsecond or less to at least 5 seconds after the start of the delaying (A) sweep.

X-Y OPERATION

Sensitivity

Same as vertical deflection system.

Deflection Accuracy

Same as vertical deflection system.

Variable Range

Same as vertical deflection system.

X-Axis Bandwidth

DC to 3 MHz.

Input Resistance

Same as vertical deflection system.

Input Capacitance

Same as vertical deflection system.

Maximum Usable Input Voltage

Same as vertical deflection system.

CALIBRATOR

Output

An approximate 1 kilohertz repetition rate, 30 milliamperes ($\pm 2\%$), 300 millivolt ($\pm 1\%$) square-wave signal.

Z AXIS INPUT

Sensitivity

A 5-volt peak to peak signal causes noticeable modulation at normal intensity.

Usable Frequency Range

From DC to 50 megahertz.

SIGNAL OUTPUTS

CH 2 VERT SIGNAL OUT

Output voltage is approximately 20 millivolts/division into a 1 megohm load (approximately 10 millivolts/division into 50 ohm load).

Bandwidth is DC to at least 50 megahertz into a 50 ohm load.

Output DC level is approximately zero volts.

A and B + GATE Outputs

Output voltage is approximately 5 volts positive-going.

POWER SOURCE

Line Voltages

110, 115, 120, 220, 230, or 240 VAC (all $\pm 10\%$) depending on the settings of the Line Voltage Selector switch and the Regulating Range Selector assembly, with a

Specification-475

line frequency of 48 to 440 hertz. Maximum power consumption is 100 watts at 115 VAC, 60 hertz.

CATHODE-RAY TUBE

Graticule Area

Eight by ten centimeters.

Phosphor

P31 is the standard phosphor with P11 offered as an option.

ENVIRONMENTAL

Temperature

Operating: -15°C to $+55^{\circ}\text{C}$; Storage: -55°C to $+75^{\circ}\text{C}$.

Altitude

Operating: to 15,000 feet. Maximum operating temperature decreased $1^{\circ}\text{C}/1,000$ feet above 5,000 feet.

Storage: to 50,000 feet.

Humidity (Operating and Storage)

5 cycles (120 hours) referenced to MIL-E-16400F.

Vibration

15 minutes along each of three major axes at a total displacement of 0.025" peak to peak (4 g's at 55 hertz) with frequency varied from 10 hertz to 55 hertz to 10 hertz in one minute sweeps. After sweep vibration in each axis, hold the frequency steady at each major resonance for 3 minutes, or if no such resonances are found, hold at 55 hertz for 3 minutes.

Shock (Operating and Nonoperating)

30 g's 1/2 sine, 11 milliseconds duration, 2 shocks per axis each direction for a total of 12 shocks.

Transportation

Tested to National Safe Transit Committee Procedure 1A, with a 30-inch drop.

SUPPLEMENTAL INFORMATION

The supplemental information listed here represents limits that, when met, ensure optimum instrument operation. They are, however, not instrument specifications but are intended to be used only as maintenance or operational aids.

VERTICAL DEFLECTION SYSTEM

Low-Frequency Linearity

There should be no more than 0.1 division of compression or expansion of a two-division signal (at center screen) positioned to the upper and lower extremes of the graticule area.

Bandwidth Limiter Bandwidth

The -3 dB point should be between 15 and 25 megahertz.

Step Response Aberrations

There should be less than $+4\%$, -4% , or a total of 4% peak to peak aberration on a positive-going step in the 5mV/DIV position of the VOLTS/D IV switch. Add 3% when checking a negative-going step or when checking for aberrations while operating in the added mode.

Common Mode Rejection Ratio

At least 20:1 at 1 kilohertz for common-mode signals of 8 divisions or less.

Trace Shift As Variable Is Rotated

Adjustable to 2 divisions or less.

INVERT Trace Shift

One division or less when switching from normal to inverted.

Input Gate Current

1 nanoampere or less (0.2 division at 5mV/division) from $+20^{\circ}\text{C}$ to $+30^{\circ}\text{C}$. Four nanoamperes or less (0.8 division at 5mV/division) from -15°C to $+55^{\circ}\text{C}$.

Channel Isolation

At least 100:1 at 50 megahertz.

POSITION Control Range

At least +12 and -12 divisions from graticule center.

Signal Delay Between Channel 1 and Channel 2

± 0.25 nanosecond at 5 mV/DIV.

Input R and C Time Constant

Aberrations should be 2% or less using a one megohm, 20 picofarad input time-constant normalizer.

TRIGGERING**External Trigger Input Capacitance**

Twenty picofarads within 30%.

TRIG VIEW Deflection Factor

50 mV/div $\pm 20\%$. Exclude LF REJ and HF REJ trigger coupling males.

TRIG VIEW Risetime

≤ 3.5 nanoseconds over the 10% to 90% part of the fast rise portion.

TRIG VIEW Delay Difference

< 2 nanoseconds with 5 division signal having 1 nanosecond or less risetime from 25 ohm source, centered vertically with equal cable length from signal source to vertical channel and external trigger inputs, each terminated in 50 ohms.

TRIG VIEW Centering of Trigger Point

Adjustable to within one division of center screen.

HORIZONTAL DEFLECTION SYSTEM**Sweep Accuracy**

Exclude the first 25 nanoseconds or 2 divisions (whichever is greater) and all beyond the 100th division of the sweep when checking 1 ns through 500 ns/division magnified sweep rates.

Mixed Sweep Accuracy

Exclude the first 0.5 division after the display start, and the first 0.2 division or 0.1 microsecond (whichever is greater) after the transition of A to B.

Differential Time Measurement Accuracy

Exclude DELAY TIME POSITION dial settings of 0.00 through 0.50 for 0.5 second through 1.0 microsecond/division delaying sweep rates.

Exclude DELAY TIME POSITION dial settings of 0.00 through 1.00 for 0.5 microsecond through 0.05 microsecond/division delaying sweep rates.

Sweep Length (A Only)

At least 10.1 divisions.

Magnifier Registration

Within 0.5 division from graticule center at 1 millisecond/division.

POSITION Control Range

Start of sweep must position to right of graticule center. End of sweep must position to left of graticule center. Check made at 1 millisecond/Division sweep rate.

Phase Difference between X and Y Axes Amplifiers

Within 1° from DC to 1 megahertz. Within 3° from 1 megahertz to 2 megahertz.

X Axis Low Frequency Linearity

0.2 division or less compression or expansion of a 2 division signal (at center screen) positioned to both horizontal extremes of the display area.

CALIBRATOR**Repetition Rate**

Repetition Rate accuracy is typically within 25%.

Output Resistance

Approximately 9.4 ohms.

EXTERNAL Z AXIS INPUT**Maximum Input Voltage**

Voltages applied to the EXT Z AXIS INPUT connector should be limited to less than 100 volts DC plus peak AC or 100 volts peak to peak AC at 1 kilohertz or less.

OUTPUT SIGNALS

Output Resistance

Output resistance of the CH 2 VERT SIGNAL OUT connector is approximately 50 ohms. Output resistance of +A and +B GATE outputs is approximately 500 ohms.

CATHODE-RAY TUBE

Resolution

Typically at least 15 lines per division horizontally and vertically.

Geometry

0.1 division or less of tilt or bowing

Raster Distortion

0.1 division or less.

Nominal Accelerating Potential

Approximately 18,000 volts.

O P E R A T I N G I N F O R M A T I O N

Introduction

This section of the manual is intended to allow the operator to become familiar with the instrument's power requirements, functions of controls and connectors, and how to obtain a few basic displays. For more complete operating information, refer to the 475 Operators Handbook.

Operating Voltage

CAUTION

This instrument is designed for operation from a power source with its neutral at or near earth (ground) potential with a separate safety-earth conductor. It is not intended for operation from two phases of a multi-phase system, or across the legs of a single-phase three-wire system.

This instrument can be operated from either a 115-volt or 230-volt nominal line voltage source, 48 to 440 hertz. The Line Voltage Selector switch in the instrument converts the instrument from one nominal operating voltage to the other. The Regulating Range Selector assembly on the instrument rear panel selects one of three regulating ranges for each nominal line voltage, and also contains the line fuses for overload protection for both nominal line voltages. To select the correct nominal line voltage and regulating range, proceed as follows:

1. Disconnect the instrument from the power source.
2. To convert from 115-volts nominal to 230-volts nominal line voltage, set the selector switch to the 230 volts position (toward the rear of the instrument). Change the line-cord plug to match the power source or use a 115-to-230 volt adapter.

NOTE

Color-coding of the cord conductors is as follows (in accordance with National Electrical Code):

Line	Black
Neutral	White
Safety earth (ground)	Green (or green with yellow tracer)

3. To change regulating ranges, loosen the two captive screws which hold the cover onto the regulating range selector assembly; then pull to remove the cover.

4. Pull out the range selector switch bar (see Fig. 2-1). Slide the bar to the desired position and plug it back in. Select a range which is centered about the average line voltage to which the instrument is to be connected (see Table 2-1).

TABLE 2-1
Regulating Ranges

Range Selector Switch Position	Regulating Range	
	115-Volts Nominal	230-Volts Nominal
LO (switch bar in upper holes)	99 to 121 volts	198 to 242 volts
M (switch bar in middle holes)	104 to 126 volts	208 to 252 volts
HI (switch bar in lower holes)	108 to 132 volts	216 to 264 volts



Fig. 2-1. Power supply regulating range selector.

5. Re-install the cover and tighten the two captive screws.

6. Before applying power to the instrument, check that the line voltage selector switch and the indicating tabs on the regulating range selector assembly are in the correct positions for the desired nominal line voltage and regulating range.



This instrument may be damaged if operated with the line voltage selector switch or the regulating range selector assembly set to incorrect positions for the line voltage applied.

The 475 is designed to be used with a three-wire AC power system. If a three-to two-wire adapter is used to connect this instrument to a two-wire AC power system, be sure to connect the ground lead of the adapter to earth (ground). Failure to complete the ground system may allow the chassis of this instrument to be elevated above ground potential and pose a shock hazard.

The feet on the rear panel provide a convenient cord wrap to store the power cord when not in use.

CONTROLS AND CONNECTORS

General

The major controls and connectors for operation of the 475 are located on the front panel of the instrument. A few auxiliary functions are provided on the rear panel. Fig. 2-2 shows the front and rear panels of the 475. A brief description of each control and connector is given here. More detailed operating information is given in the 475 Oscilloscope Operators Handbook.

Cathode-Ray Tube (CRT) and Display

BEAM FIND	Compresses the display to within the graticule area, independently of display position or applied signals.
INTENSITY	Controls brightness of the display.
Focus	Provides adjustment for optimum display definition.
SCALE ILLUM	Controls graticule brightness.

ASTIG Screwdriver adjustment used in conjunction with the FOCUS control to obtain a well-defined display. Does not require readjustment in normal use.

TRACE ROTATION Screwdriver adjustment to align the trace with the horizontal graticule lines.

Vertical Deflection System (Channel 1 & Channel 2)

POSITION Controls the vertical position of the trace. In the X-Y mode of operation, the CH 2 control positions on the Y-axis (vertically) and the CH 1 POSITION control positions on the X-axis (horizontally).

CH 1 OR X Input connector for Channel 1 deflection signals or X-axis deflection in the X-Y mode of operation.

CH 2 OR Y input connector for Channel 2 deflection signals or Y-axis deflection in the X-Y mode of operation.

GAIN (2 and 5 mV) Screwdriver adjustments to set the gain of the Vertical Preamp.

VOLTS/DIV Selects vertical deflection factor in a 1-2-5 sequence (VAR control must be in the calibrated detent for the indicated deflection factor).

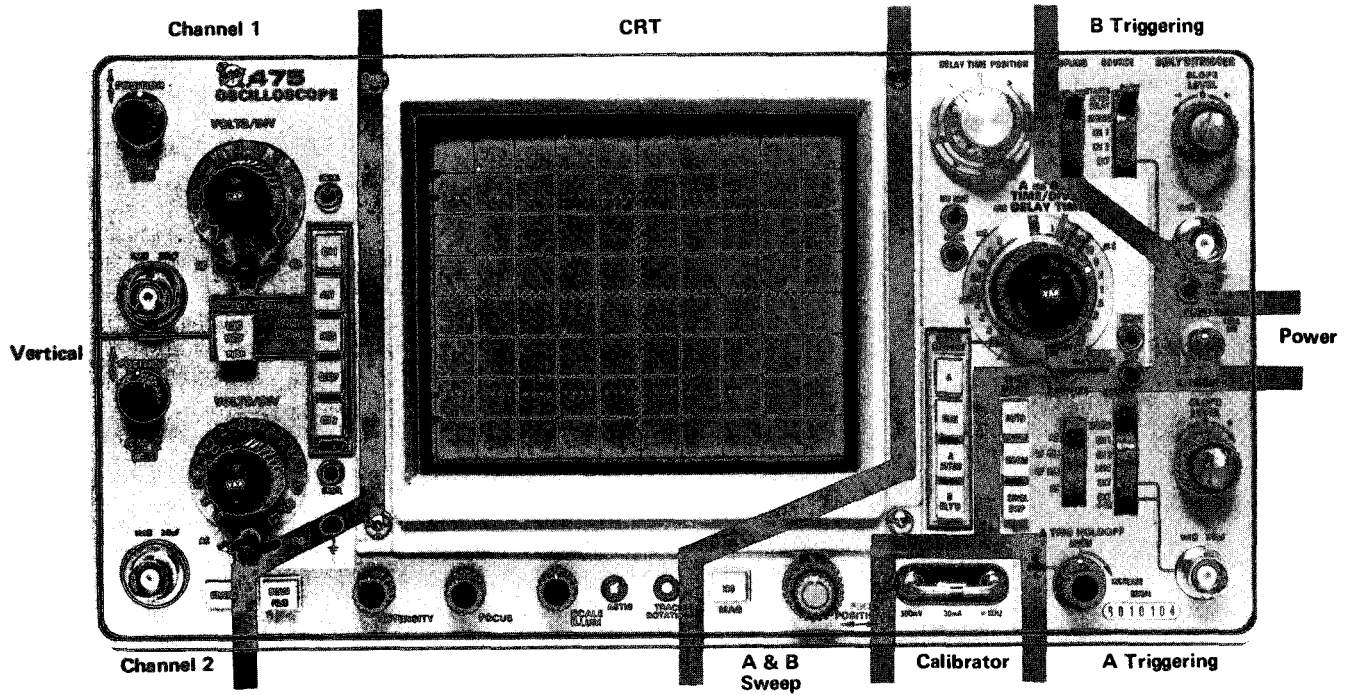
VAR Provides continuously variable uncalibrated deflection factors between the calibrated settings of the VOLTS/DIV switch.

UNCAL Light indicates that the VAR control is not in the calibrated position.

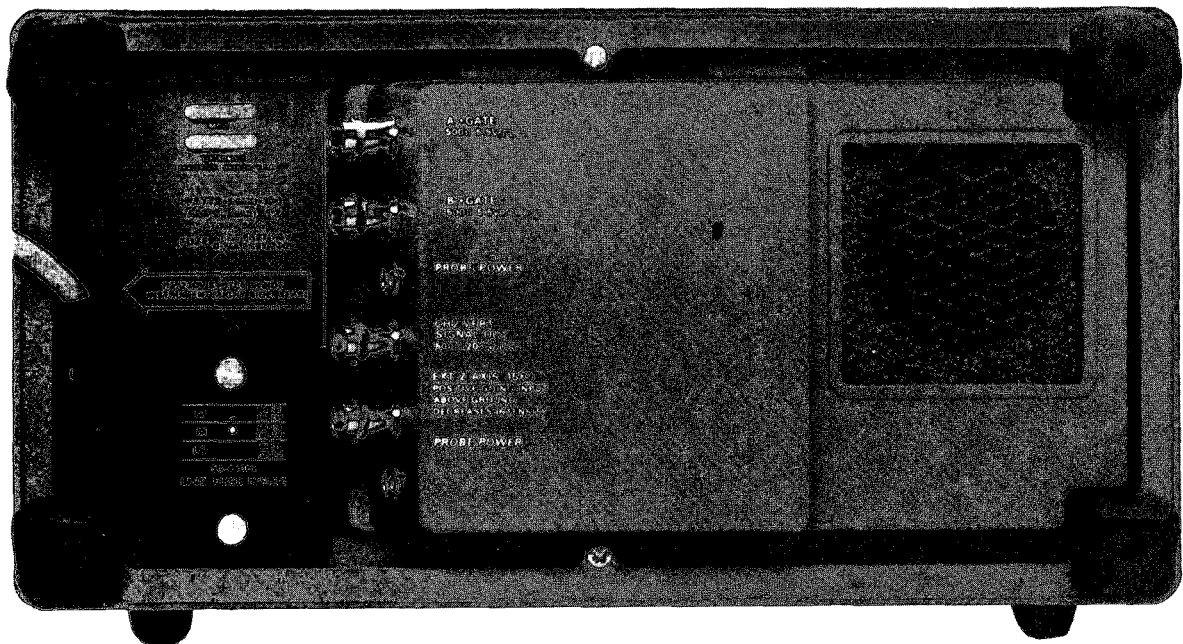
Input Coupling (AC-GND-DC) Selects the method of coupling signal to the input of the Vertical Amplifier.

AC: Signal is capacitively coupled to the Vertical Amplifier. DC component of signal is blocked. Low-frequency limit (lower -3 dB point) is about 10 hertz.

GND: Input signal is removed and the input circuit is grounded. Does not ground the input signal.



A. Front panel.



B. Rear panel.

Fig. 2-2. Front- and rear-panel controls and connectors.

	DC: All components of the input signal are passed to the Vertical Amplifier.		HF REJ: Accepts signals between 60 Hz and 50 kHz. Rejects DC and attenuates all signals outside the above range.
20 MHz BW/ TRIG VIEW	Dual-purpose switch that limits the bandwidth of the complete Vertical Deflection System to approximately 20 MHz when pulled out, or causes signal present in A Trigger Generator circuit to be displayed on the CRT when pressed.		DC: Accepts all trigger signals between DC and 200 MHz or greater.
		SOURCE	Selects source of trigger signal,
INVERT	Pushbutton switch that inverts the Channel 2 display.		NORM: Internal trigger signal obtained from Vertical Deflection System. Actual source is signal(s) displayed on CRT.
VERT MODE	Selects the vertical mode of operation.		CH 1: A sample of the signal connected to the CH 1 OR X input connector is used as a trigger signal.
	CH 1: Displays Channel 1 only.		CH 2: A sample of the signal connected to the CH 2 OR Y input connector is used as a trigger signal.
	ALT: Dual-trace display of signals on both channels. Display is switched between channels at the end of each sweep.		EXT: Trigger signal obtained from signal connected to the External Trigger Input connector.
	ADD: Signals applied to the CH 1 OR X and the CH 2 OR Y connectors are algebraically added and the sum is displayed on the CRT. The INVERT switch in Channel 2 allows the display to be CH 1 + CH 2 or CH 1 – CH 2.		EXT ÷10 (A trigger circuit only): External trigger signal attenuated by a factor of 10.
	CHOP: Dual-trace display of signals on both channels. Display is switched between channels at an approximate repetition rate of 1 megahertz.		STARTS AFTER DELAY (B trigger circuit only): B sweep starts immediately after the delay time selected by the DELAY-TIME POSITION dial and the DELAY-TIME switch.
	CH 2 OR X-Y: Displays Channel 2 only. Must be pushed when operating in X-Y mode.		LINE (A trigger circuit only): Trigger signal obtained from a sample of the line voltage applied to the instrument.
A and B Triggering (both where applicable)		SLOPE	Selects the slope of the trigger signal which starts the sweep.
COUPLING	Determines the method used to couple signal to input of trigger circuits.		+ : Sweep can be triggered from the positive-going portion of the trigger signal.
	AC: Rejects DC and attenuates signals below about 60 Hz. Accepts signals above about 60 Hz.		- : Sweep can be triggered from the negative-going portion of the trigger signal.
	LF REJ: Rejects DC and attenuates signals below about 50 kHz. Accepts signals above about 50 kHz.	LEVEL	Selects the amplitude point on the trigger signal at which the sweep is triggered.

A TRIG MODE	<p>Determines the operating mode for the A Trigger Circuit.</p> <p>AUTO: With the proper trigger control settings, A Sweep can be initiated by signals that have repetition rates above about 20 hertz and are within the frequency range selected by the COUPLING switch. In the absence of an adequate trigger signal or when the trigger controls are misadjusted, the sweep free-runs to produce a reference trace.</p> <p>NORM: With the proper trigger control settings, A Sweep can be initiated by signals that are within the frequency range selected by the COUPLING switch. In the absence of an adequate trigger signal or when the trigger controls are misadjusted, there is no trace.</p> <p>SINGL SWP: After a sweep is displayed, further sweeps cannot be presented until the SINGL SWP pushbutton is pressed again. The display is triggered as for NORM operation using the A Triggering controls.</p>	A AND B TIME/DIV AND DELAY TIME	<p>A TIME/DIV switch (clear plastic outer flange) selects the basic delay time (to be multiplied by the DELAY-TIME POSITION dial setting) for delayed-sweep operation. The B TIME/DIV switch (inner dark knob) selects the sweep rate for A only displays or for the B portion of a delayed sweep display. VAR control must be in the calibrated detent for calibrated sweep rates.</p>
		VAR	<p>Provides continuously variable (un-calibrated) sweep rates between the calibrated settings of the TIME/DIV switch. Varies the A Time Base sweep rate in the non-delayed mode of horizontal operation and the B Time Base sweep rate in the delayed sweep mode. Extends the slowest sweep rate to at least 1.25 seconds/division. Sweep rate is calibrated when the control is rotated fully clockwise to the calibrated detent.</p>
		UNCAL	<p>Light that indicates when the VAR TIME/DIV control is out of the calibrated detent and the horizontal sweep rate is uncalibrated.</p>
		X10 MAG Indicator	<p>Light that indicates when the X10 MAG is turned on.</p>
A TRIG HOLDOFF	<p>Provides control of holdoff time between sweeps to obtain stable displays when triggering on aperiodic signals (such as complex digital words). Variable can increase hold-off time up to at least 9 times the setting of the TIME/DIV switch. In the B ENDS A position (fully clockwise), the A sweep is reset at the end of the B sweep to provide the fastest possible sweep repetition rate for delayed sweep presentations.</p>	READY	<p>Light that indicates that A Sweep has been prepared to present a single sweep upon receipt of an adequate trigger signal.</p>
		HORIZ DISPLAY	<p>Selects the horizontal mode of operation.</p> <p>A: Horizontal deflection provided by A Sweep. B Sweep inoperative.</p> <p>MIX: The first part of the horizontal sweep is displayed at a rate set by the A TIME/DIV switch and the latter part of the sweep at a rate set by the B TIME/DIV switch. Relative amounts of the display allocated to each of the two rates are determined by the setting of the DELAY-TIME POSITION dial.</p> <p>A INT: Displayed sweep rate determined by the A TIME/DIV</p>
External Trigger Input (not labeled)	<p>Input connectors for external trigger signals.</p>		
A and B Sweep	<p>DELAY-TIME POSITION</p> <p>Provides variable sweep delay between 0.00 and 10.00 times the delay time indicated by the DELAY TIME switch.</p>		

switch. An intensified portion appears on the display during the B sweep time. This switch position provides a check of the duration and position of the B sweep (delayed sweep) with respect to the delaying sweep (A).

B DLYD: Sweep rate determined by the B TIME/DIV switch with the delay time determined by the setting of the DELAY TIME (A TIM E/D IV) switch and the DELAY-TIME POSITION dial.

Horizontal POSITION Positions the display horizontally.

X10 MAG Increases the displayed sweep rate by a factor of 10.

Calibrator and Power

CALIBRATOR A combination current loop/square-wave voltage output device. Provides a 30 mA squarewave current, 300 mV squarewave voltage signal with a repetition rate of approximately 1 kHz.

POWER Turns instrument power on and off.

LOW LINE Light that indicates the applied line voltage is below the lower limit of the regulating range selected by the Regulating Range Selector assembly.

Rear Panel

A + GATE output connector providing a positive-going rectangular pulse coincident with the A sweep time.

B + GATE output connector providing a positive-going rectangular pulse coincident with the B sweep time.

CH 2 VERT SIGNAL OUT Output connector providing a sample of the signal applied to the CH 2 input connector.

EXT Z AXIS INPUT Input connector for intensity modulation of the CRT display.

Regulating Range Selector Selects the regulating range of the internal power supplies (low, medium, high; determined by specific line voltage applied to instrument).

PROBE POWER Connectors that make operating power available for active device probe systems.

OBTAINING BASIC DISPLAYS

Introduction

The following instructions will allow the operator who is unfamiliar with the operation of the 475 to obtain the basic displays commonly used. Before proceeding with these instructions, preset the instrument controls as follows:

Vertical Controls

VERT MODE Switch	CH 1
VOLTS/DIV Switches	Proper position determined by amplitude of signal to be applied.
VOLTS/DIV VAR Controls	Calibrated detent.
Input Coupling Switches	AC
Vertical POSITION Controls	Midrange
20 MHz BW Switch	Not limited
INVERT Switch	Button out
INTENSITY Control	Fully counterclockwise
FOCUS Control	Midrange
SCALE ILLUM Control	Midrange

Trigger Controls (both A and B if applicable)

SLOPE Switch	+
LEVEL Control	0
SOURCE Switch	NORM
COUPLING Switch	AC
TRIG MODE Switch	AUTO
A TRIG HOLDOFF Control	NORM

Horizontal Sweep Controls

TIME/DIV Switches	Locked together at 1 ms
TIME/DIV VAR	Calibrated detent
HORIZ DISPLAY Switch	A
X10 MAG Switch	Off (button out)
POSITION Control	Midrange

Normal Sweep Display

1. Set the POWER switch to on (button out). Allow several minutes for instrument warmup.

2. Connect the external signal to the CH 1 input connector.

3. Advance the INTENSITY control until the display is visible. If the display is not visible with the INTENSITY control at midrange, press the BEAM FIND pushbutton and adjust the CH 1 VOLTS/DIV switch until the display is reduced in size vertically; then center the compressed display with the vertical and horizontal POSITION controls; release the BEAM FIND pushbutton. Adjust the FOCUS control for a well-defined display.

4. Set the CH 1 VOLTS/DIV switch and CH 1 POSITION control for a display which remains in the display area vertically.

5. Adjust the A Trigger LEVEL control for a stable display.

6. Set the B TIME/DIV switch and the horizontal POSITION control for a display which remains in the display area horizontally.

Magnified Sweep Display

1. Preset the instrument controls and follow steps 1 through 6 for obtaining a Normal Sweep Display.

2. Adjust the horizontal POSITION control to move the area to be magnified to within the center graticule division of the CRT. If necessary, change the TIME/DIV switch setting so the complete area to be magnified is within the center division.

3. Set the X10 MAG switch to the on position (button in) and adjust the horizontal POSITION control for precise positioning of the magnified display.

Delayed Sweep Displays

1. Preset the instrument controls and follow steps 1 through 6 for obtaining a Normal Sweep Display.

2. Set the HORIZ DISPLAY switch to A INT and the B Trigger SOURCE switch to STARTS AFTER DELAY.

3. Pull out the B TIME/DIV switch knob and turn clockwise so the intensified zone on the display is the desired length. Adjust the INTENSITY control to achieve the desired display brightness.

4. Adjust the DELAY-TIME POSITION dial to position the intensified zone to the portion of the display to be delayed.

5. Set the HORIZ DISPLAY switch to B DLYD. The intensified zone on the display noted in step 3 is now being displayed in delay form. The delayed sweep rate is indicated by the dot on the B TIME/DIV switch knob.

6. For a delayed sweep display that will exhibit less jitter, set the B Trigger SOURCE switch to the same position as the A Trigger SOURCE switch and adjust the B Trigger LEVEL control for a stable display. If the A Trigger SOURCE switch is in the LINE position, a sample of the line voltage will have to be supplied to the B Trigger circuit externally.

Mixed Sweep Display

1. Preset the instrument controls and follow steps 1 through 6 for obtaining a Normal Sweep Display.

2. Pull out the B TIME/DIV switch knob and turn clockwise to the desired sweep rate. Adjust the INTENSITY control to achieve the desired display brightness.

3. Set the HORIZ DISPLAY switch to MIX. The CRT display now contains more than one time factor on the horizontal axis. The first portion of the display is at the A Time Base sweep rate and the latter part is at the B Time Base sweep rate. The start of the B Time Base portion of the display can be changed by adjusting the DELAY-TIME POSITION control.

X-Y Display

1. Preset the instrument controls and turn the instrument power on. Allow several minutes for instrument warm-up.

2. Set the TIME/DIV switch to X-Y and the VERT MODE to CH 2. Apply the vertical signal to the CH 2 OR Y input connector and the horizontal signal to the CH 1 OR X input connector. The CH 2 POSITION control will provide vertical positioning and the CH 1 POSITION control will provide horizontal positioning.

3. Advance the INTENSITY control until the display is visible. If the display is not visible with the INTENSITY control at midrange, press the BEAM FIND pushbutton and adjust the CH 1 and CH 2 VOLTS/DIV switches until the display is reduced in size both vertically and horizontally; then center the compressed display with the POSITION controls; release the BEAM FIND pushbutton. Adjust the FOCUS control for a well-defined display.

CIRCUIT DESCRIPTION

Introduction

This section of the manual contains a description of the circuitry used in the 475 Oscilloscope. The description begins with a discussion of the instrument, using the basic block diagram shown in Fig. 3-1. Then, each circuit is described in detail, using detailed block diagrams to show the interconnections between the stages in each major circuit and the relationship of the front panel controls to the individual stages.

A complete block diagram is located in the Diagrams Section at the back of this manual. This block diagram shows the overall relationship between all of the circuits. Complete schematics of each circuit are also given in the Diagrams Section. Refer to these diagrams throughout the following circuit description for electrical values and relationships.

Digital Logic

Digital logic techniques are used to perform many functions within this instrument. The function and operation of the logic circuits are described using logic symbology and terminology. All logic functions are described using the positive logic convention. Positive logic is a system of notation where the more positive of two levels (HI) is called the true or 1 state; the more negative level (LO) is called the fake or 0 state. The HI-LO method of notation is used in this logic description. The specific voltages that constitute a HI or LO state vary between individual devices. Typical HI or LO logic levels are shown on the diagrams at the rear of this manual.

It should be noted that not all of the integrated circuit devices in this instrument are digital logic devices. The function of non-digital devices are described individually, using operating waveforms or other techniques to illustrate their function.

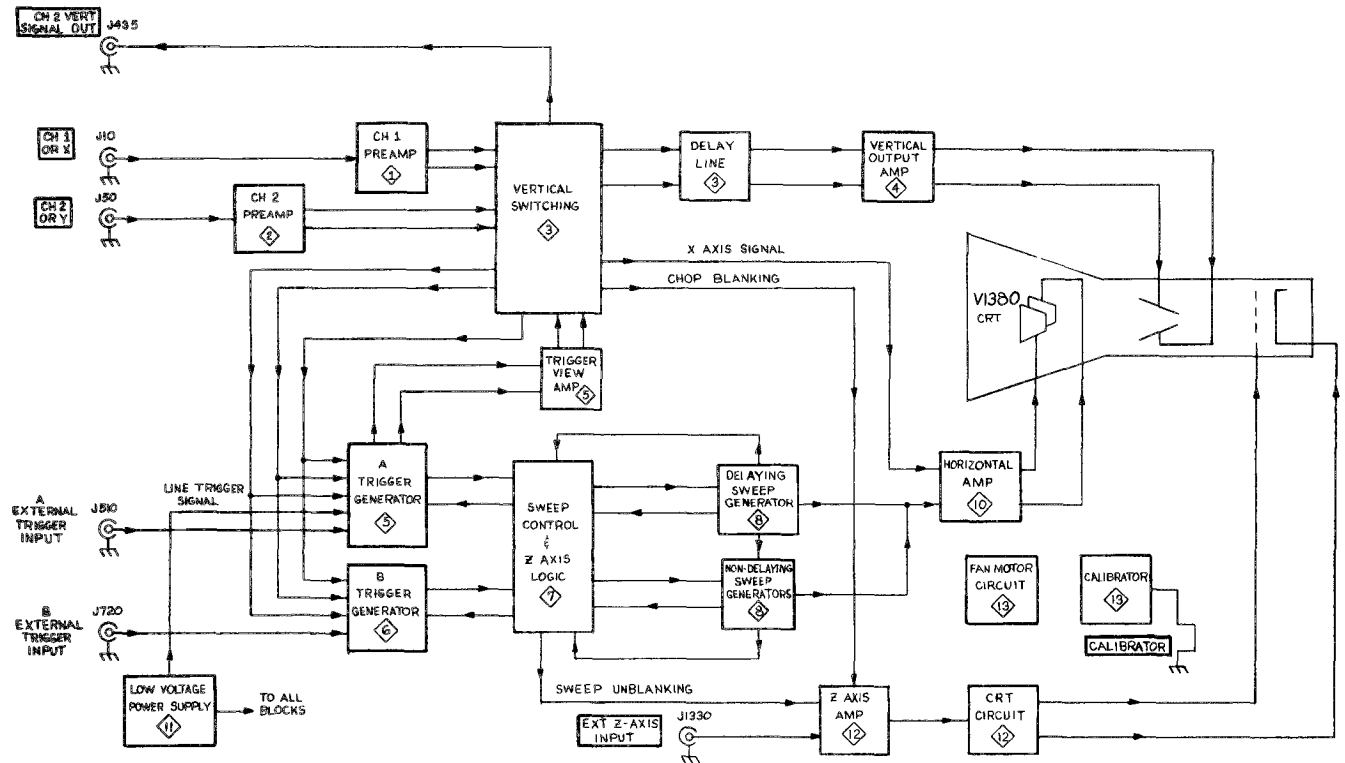


Fig. 3-1. Basic block diagram of the 475.

BLOCK DIAGRAM

General

The following discussion) is provided to aid in understanding the overall concept of the 475 Oscilloscope before the individual circuits are discussed in detail. A basic block diagram of the 475 Oscilloscope is shown in Fig. 3-1. Only the basic interconnections between the individual blocks are shown on this diagram. Each block represents a major circuit within the instrument. The number on each block refers to the complete circuit diagram, which is located at the rear of this manual.

Signals to be displayed on the CRT are applied to the CH 1 OR X or CH 2 OR Y connectors. The input signals are then amplified by the Preamplifier circuits. Each Preamplifier circuit includes separate vertical deflection factor, input coupling, balance, gain, and variable attenuation controls. The Channel 2 Preamplifier circuit also contains an invert feature to invert the Channel 2 signal as displayed on the CRT.

The output of both Vertical Preamplifier circuits connects to the Vertical Channel Switching circuit. This circuit selects the channel(s) to be displayed. An output signal from this circuit connects to the Z Axis Amplifier circuit to blank out the switching transients between channels when in the chopped mode of operation. The Vertical Channel Switching circuit also provides the Channel 2 VERT SIG OUT signal (available on the instrument rear panel) as well as the signals used for sweep triggering in the NORM, CH 1, and CH 2 positions of the trigger SOURCE switches and the signal used for X-axis deflection in the X-Y mode of horizontal operation,

The output of the Vertical Channel Switching circuit connects to the Vertical Output Amplifier through the Delay Line. The Delay Line provides a fixed amount of signal delay through the vertical deflection system to allow viewing the leading edge of a triggering waveform. The Vertical Output Amplifier circuit provides the final amplification for the signal before it is connected to the vertical deflection plates of the CRT. This circuit includes the BEAM FIND switch which compresses the vertical and horizontal deflection to within the viewing area to aid in locating an off-screen display.

The A and B Trigger Generator circuits produce an output pulse that initiates generation of the sawtooth sweep signals produced by the A or B Sweep Generator circuits. The input signal to the Trigger Generator circuits can be individually selected from the Channel 1 signal, Channel 2 signal, the signal(s) displayed on the CRT (NORM), a signal connected to the external trigger input

connectors, or a sample of the line voltage applied to the instrument. Each trigger circuit contains separate level, slope, coupling, and source controls.

There are three sweep generator circuits in the 475. For purposes of explanation, they are called Delaying, Slow Non-Delaying, and Fast Non-Delaying. The Delaying Sweep generates a range of sweep rates from 0.5 seconds to 0,05 microseconds/division. The Slow Non-Delaying Sweep generates sweeps from 0.5 seconds to 1 microsecond/division and the Fast Non-Delaying Sweep from 0.5 microsecond to 0.01 microsecond/division.

The Delaying Sweep runs only when the instrument is operated in a delayed-sweep mode (M IX, A INTEN, or B DLY'D) and is displayed as the A portion of a MIX or A INTEN display. The sweep rate for this generator is selected by the A TIME/DIV switch. One of the Non-Delaying Sweeps (depending on the sweep rate selected) will run and be displayed in the A or B DLY'D modes or as the B portion of a MIX or A INTEN display. In the A mode of operation, the sweep rate is selected by the B TIME/DIV switch. In the MIX, A INTEN, and B DLY'D modes of operation, the Non-Delaying (B) sweep rate is also selected by the B TIME/DIV switch.

The TRIG MODE switch controls the mode of operation of the sweep generator deriving the A portion of a display. In the AUTO position, the absence of an adequate trigger signal causes the sweep to free run. In the NORM position, a horizontal sweep is presented only when correctly triggered by an adequate trigger signal. Pushing the SING SWP pushbutton allows one (and only one) sweep to be presented. The Z Axis Logic circuit produces an unblinking gate signal to unblank the CRT so that the display can be presented. This gate signal is coincident with the sawtooth produced by the sweep generator. The Z Axis Logic Circuit also produces, at the end of each sweep, a gate signal that is supplied to the Vertical Channel Switching circuit. This pulse switches the display between channels at the end of each sweep when the Vertical Deflection System is operating in the ALT mode.

The outputs of the sweep generators are amplified by the Horizontal Amplifier to produce horizontal deflection for the CRT except in the fully counterclockwise (X-Y) position of the TIME/DIV switch. The Horizontal Amplifier contains a 10X magnifier to increase the sweep by a factor of 10 in any A or B TIME/DIV switch position. Other horizontal deflection signals can be connected to the Horizontal Amplifier by using the X-Y mode of operation. When the TIME/DIV switch is set to X-Y, the X-axis signal is connected to the Horizontal Amplifier circuit through the Channel 1 Vertical Preamplifier circuit.

The Z Axis Amplifier circuit determines the CRT intensity and blanking. The Z Axis Amplifier circuit sums the current inputs from the INTENSITY control, the Vertical Channel Switching circuit (chopped blanking), the Z Axis Logic circuit (unblanking), and the external Z AXIS INPUT connector. The output level of the Z Axis Amplifier circuit controls the trace intensity through the CRT circuit. The CRT circuit provides the voltages and contains the controls necessary for operation of the cathode-ray tube.

The Power Supply circuit provides the low voltage power necessary for operation of this instrument. This voltage is distributed to all of the circuits in the instrument as shown by the Power Distribution Diagram. The Calibrator circuit provides a square-wave output with accurate voltage and current amplitudes, which can be used to check the calibration of the instrument and the compensation of probes. The CALIBRATOR current loop provides an accurate current source for calibration of current measuring probe systems.

CHANNEL 1 PREAMP

General

Input signals for vertical deflection on the CRT can be connected to the CH 1 OR X input connector. In the X-Y mode of operation, the input signal connected to the CH 1 OR X connector provides the horizontal (X-axis) deflection (TIME/DIV switch set to X-Y, VERT MODE switch set to CH 2 OR X-Y). The Channel 1 Preamp circuit provides control of input coupling, vertical deflection factor, gain, and DC balance. Fig. 3-2 shows a detailed block diagram of the Channel 1 Preamp circuit. A schematic of this circuit is shown on Diagram 1 at the rear of this manual.

Input Coupling

Signals applied to the input connector can be AC coupled, DC coupled, or internally disconnected from the input to the Vertical Input Amplifier circuit. When Input Coupling switch S20A is set for DC coupling, the input signal is coupled directly to the Input Attenuator stage. When AC coupled, the input signal passes through capacitor C10. This capacitor prevents the DC component of the signal from passing to the amplifier. In the GND position, S20A opens the signal path and connects the input of the amplifier to ground. This provides a ground reference without the need to disconnect the applied signal from the input connector. Resistor R22, connected across the input coupling switch, allows C10 to be pre-charged in the ground position, which prevents generation of large voltage transients at the input to the amplifier and allows the trace to remain on screen when switched to the AC position.

Input Attenuator

The effective overall deflection factor of each channel of the 475 is determined by the appropriate VOLTS/DIV switch setting. The basic deflection factor of the Vertical Deflection System is 5 millivolts/division of CRT deflection. To achieve the deflection factor values indicated on the front panel, precision attenuator-s are switched into the circuit and, in the 2 mV position, the gain of the Second Cascode Amplifier stage is changed.

For the VOLTS/DIV switch positions above 5 mV, attenuators are switched into the circuit singly or in pairs to help produce the vertical deflection factors indicated. These attenuators are frequency-compensated voltage dividers. In addition to providing constant attenuation at all frequen-

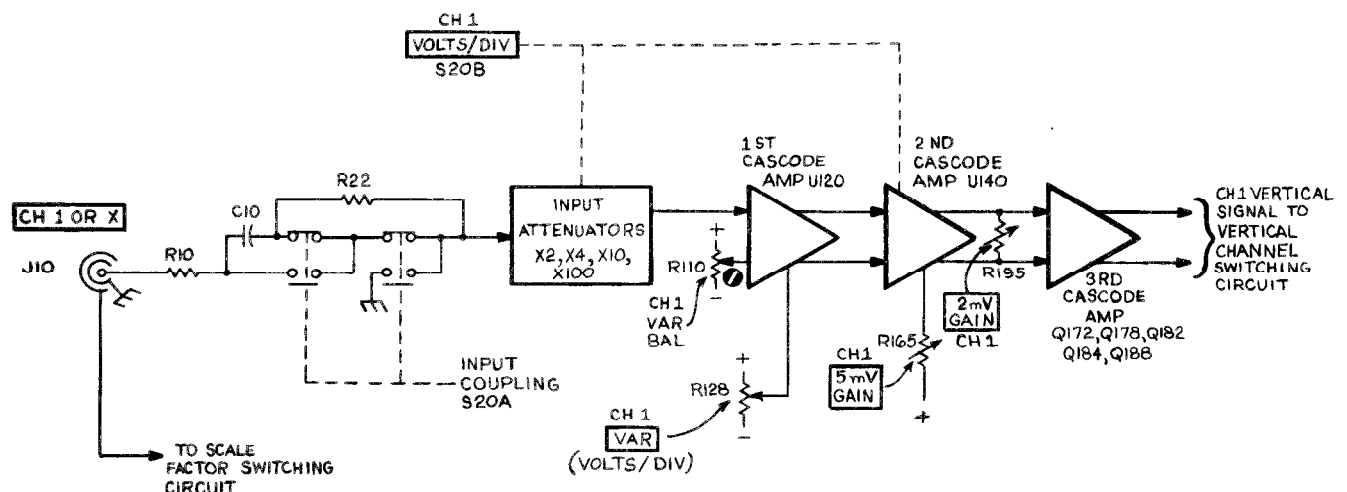


Fig. 3-2. Detailed block diagram of the Channel 1 Vertical Preamp circuit.

ties within the bandwidth of the instrument, the Input Attenuators are designed to maintain the same input RC characteristics for each setting of the VOLTS/DIV switch. Each attenuator contains an adjustable series capacitor to provide correct attenuation at high frequencies and an adjustable shunt capacitor to provide correct input capacitance.

NOTE

Each attenuator is a hybrid encapsulated plug-in assembly; therefore, replacement of individual components within the attenuator is not possible. Should defects occur, the attenuator must be replaced as a unit.

First Cascode Amplifier

The first amplifier stage in the Channel 1 Preamplifier circuit is hybrid circuit U120. U120 basically consists of an integrated emitter-coupled, push-pull, cascode amplifier cell and two discrete field-effect transistors (FET) mounted on a ceramic substrate with the thick-film resistors. The stage is configured as a paraphase amplifier and converts the single-ended input signal to push-pull output signals. CR104 and CR107 provide protection for the input to U120 if large negative-going signals or DC levels are applied to the CH 1 OR X input connector.

This input amplifier stage contains the CH 1 VAR VOLTS/DIV control. This control provides the ability to obtain continuously variable (uncalibrated) vertical deflection factors between the calibrated positions of the VOLTS/DIV switch. With the VAR control in its calibrated detent (wiper at ground), the output transistors of U120, whose collectors connect to pins 5 and 9 are conducting; the output transistors whose collectors connect to pins 6 and 8 are biased off. Thus, the current available to the following amplifier stage is that flowing from pins 5 and 9.

When the VAR control is rotated out of its calibrated detent, the transistors whose collectors connect to pins 6 and 8 begin to conduct. The current they conduct is robbed from the other output transistors. This causes two things to occur:

1. The current flowing in the collectors of the transistors connected to pins 5 and 9 is less now than when the VAR control was in its calibrated detent.

2. The current available to the following amplifier stage is the algebraic sum of the currents in the collectors tied together (i.e., pins 8 and 9 and pins 5 and 6). Since the two collectors tied together have signals of opposite polarity, the signal available to the following amplifier stage is less than that available when the VAR control was in its

calibrated detent. The component values selected for the variable function provide a variable attenuation ratio of approximately 2.5 to 1. The Channel 1 Variable Balance adjustment RI 10 adjusts for no trace shift in the display when rotating the VAR control. The Channel 1 UNCAL light indicates when the Channel 1 VAR control is out of its calibrated detent. The components connected between pins 2 and 3 of U120 provide high-frequency compensation for the stage.

Second Cascode Amplifier

The second amplifier stage in the Channel 1 Preamplifier circuit is U140. U140 is the same integrated emitter-coupled, push-pull, cascode amplifier as the one used in U120. It is used as a push-pull amplifier and contains 2 mV and 5 mV gain adjustments that determine the overall gain of the Channel 1 Preamplifier circuit. The output signals available to the next stage for amplification are taken from pins 5 and 9 of U140.

The gain of U140 is determined by biasing the output transistors connected to pins 6 and 8 to conduct more or less current. As more current is conducted through the transistors connected to pins 6 and 8, that much less is conducted through the transistors connected to pins 5 and 9. The current conducted by the transistors connected to pins 5 and 9 in the 2 mV position of the VOLTS/DIV switch is approximately 2.5 times the current conducted by the same transistors in all of the other VOLTS/DIV switch positions. This results in increased gain and a DC level shift at the signal output terminals of U 140. The VOLTS/DIV switch compensates for a shift in the DC level by shorting out part of the common-mode resistance (R157) when operating with 2 mV sensitivity. The Gain Switch Balance adjustment R135 adjusts the DC balance of the stage, so there is no baseline shift in the CRT display when switching between the 2 mV and 5 mV positions of the CH 1 VOLTS/DIV switch. The remainder of the components connected between pins 2 and 3 of U140 provide high-frequency compensation for the stage, Resistor-thermistor RT149 reduces in value with increases in temperature to compensate for losses in gain associated with increases in ambient temperature.

Third Cascode Amplifier

The third amplifier stage in the Channel 1 Preamplifier circuit is a discrete component cascode amplifier made up of Q172, Q178, Q182, Q184, and Q188. Q184 is a relatively constant current source for Q172 and Q182. Q172 and Q182 convert the input voltage signals into current signals which are in turn converted back to voltage signals by Q178 and Q188 respectively. R 172 and R 182 provide thermal compensation and C172 and C182 AC-couple the signal around R172 and R182 to reduce Miller effect. C175 and R175 are variable high-frequency compensation adjustments while CR170, CR174, and RT170

offset compensation changes associated with variations in ambient temperature. As temperature increases, the value of RT170 decreases. This results in a decrease in voltage across CR170 and CR174. CR170 and CR174 are voltage-variable capacitance semiconductors whose capacitance increases with a decrease in reverse voltage across them. Thus, CR170 and CR174 will provide more peaking at higher temperatures. L178 is a toroid inductor that cancels high-frequency common-mode signals generated by the previous stages. The Channel 1 Position Centering adjustment centers the range of control of the Channel 1 POSITION control.

the biasing on the output transistors of U220 so that the normally inactive transistors are now carrying the signal. Since their outputs are cross-coupled from side to side the output signal is of opposite polarity to that available in the normal (button out) position of the INVERT switch. The Channel 2 Invert Balance adjustment R215 adjusts the DC balance of the stage to eliminate baseline shift in the display when switching from a normal to an inverted display.

CHANNEL 2 PREAMP

General

The Channel 2 Preamp circuit is virtually the same as the Channel 1 Preamp circuit. Only the differences between the two circuits are described here. Portions of this circuit not described in the following description operate in the same manner as for the Channel 1 Preamp circuit. Fig. 3-3 shows a detailed block diagram of the Channel 2 Preamp circuit. A schematic of this circuit is shown on Diagram 2 at the rear of this manual.

VERTICAL CHANNEL SWITCHING CIRCUIT

General

The Vertical Channel Switching Circuit determines whether the Channel 1 or the Channel 2 Preamp signal or both will be connected to the Vertical Output Amplifier circuit. In the ALT and CHOP modes of operation, both channels are alternately displayed on a shared-time basis. The Vertical Channel Switching Circuit also provides several internal trigger signals to the Trigger Generator circuits, the Channel 2 VERT SIGNAL OUT signal to a connector on the rear panel, and the chopped blanking signal to the Z Axis Amplifier. Fig. 3-4 shows a detailed block diagram of the Vertical Channel Switching Circuit. A schematic of this circuit is shown on Diagram 3 at the rear of this manual.

First Cascode Amplifier

Basically, the First Cascode Amplifier stage in Channel 2 operates as described for the First Cascode Amplifier stage in Channel 1. However, the Channel 2 First Cascode Amplifier also contains the INVERT switching function. This allows the Channel 2 signal to be inverted as displayed on the CRT. The INVERT switch, when pushed, changes

Channel Switch IC

The Channel Switch IC, U370, determines which of the Preamp signals will be passed to the Vertical Output Amplifier. The push-pull Preamp signals connect between pins 2 and 3 (Channel 2) and between pins 10 and 11

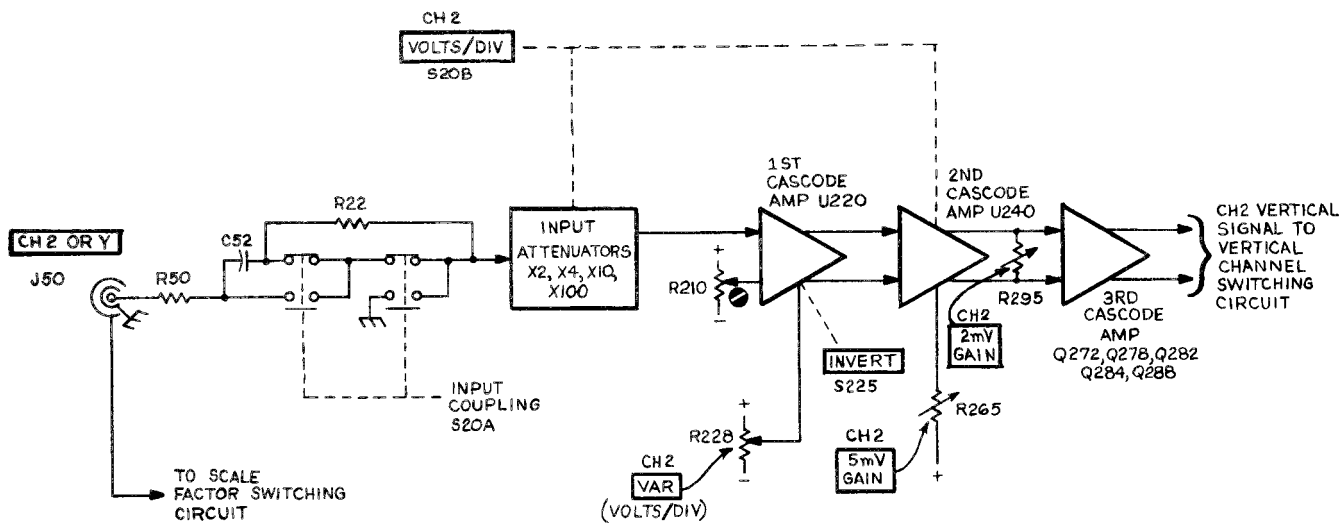


Fig. 3-3. Detailed block diagram of the Channel 2 Vertical Preamplifier circuit.

Circuit Description-475

(Channel 1) of U370. The logic levels connected to pins 1, 12, 13, and 16 determine what signals are presented at output pins 14 and 15. The following logic truth table defines the switching function of U370.

Pin 1	Pin 12	Pin 13	Pin 16	Output Signal
1	0	1	0	Channel 1
0	1	0	1	Channel 2
1	1	0	0	Algebraic sum of CH 1 & CH 2

U370 also makes available samples of the Channel 1 signal at pins 8 and 9 and samples of the Channel 2 signal at pins 4 and 5. The output signals at pins 4, 5, 8, and 9 are always present when signals are applied to the channel inputs regardless of the switching logic levels applied to U370. The Channel 1 signal present at pin 9 provides drive to the Horizontal Amplifier in the X-Y mode of horizontal operation. The Channel 1 signal at pin 8 and the Channel 2 signal at pin 4 are used by the Trigger Generator circuits in the appropriate positions of the Trigger SOURCE switches. The Channel 2 signal at pin 5 connects to the Channel 2 Vertical Signal Out Amplifier.

Switching Logic Flip-Flops

U350A and U350B are edge-triggered flip-flops that derive the switching logic for the Channel Switch IC U370. In the CH 1, CH 2, and ADD positions of the VERT MODE switch the output logic from U350A and U350B is determined by the voltage levels applied to the clear (pins 1 and 13) and preset (pins 4 and 10) inputs. In the ALT mode of operation the flip-flops are switched by the alternate-trace sync pulse applied to their clock inputs through Q338 and U330B. In the CHOP mode, the clock pulse generated by U330C and U330D switch the flip-flops at a one-megahertz rate.

Two Megahertz Clock

U330C and U330D form an astable multivibrator having a repetition rate of two megahertz. The rectangular output waveform connects to the Switching Logic Flip-Flops through nand gate U330B. Only in the CHOP position of the VERT MODE switch is a LO level applied to the input to inverter U330A. This puts a logical HI on pin 13 of U330D, which permits the astable multivibrator to free-run. At the same time, Q338 is biased on, which puts a logical HI on pin 5 of U330B. Thus, the signal present at pin 6 of U330B will be the two-megahertz clock signal.

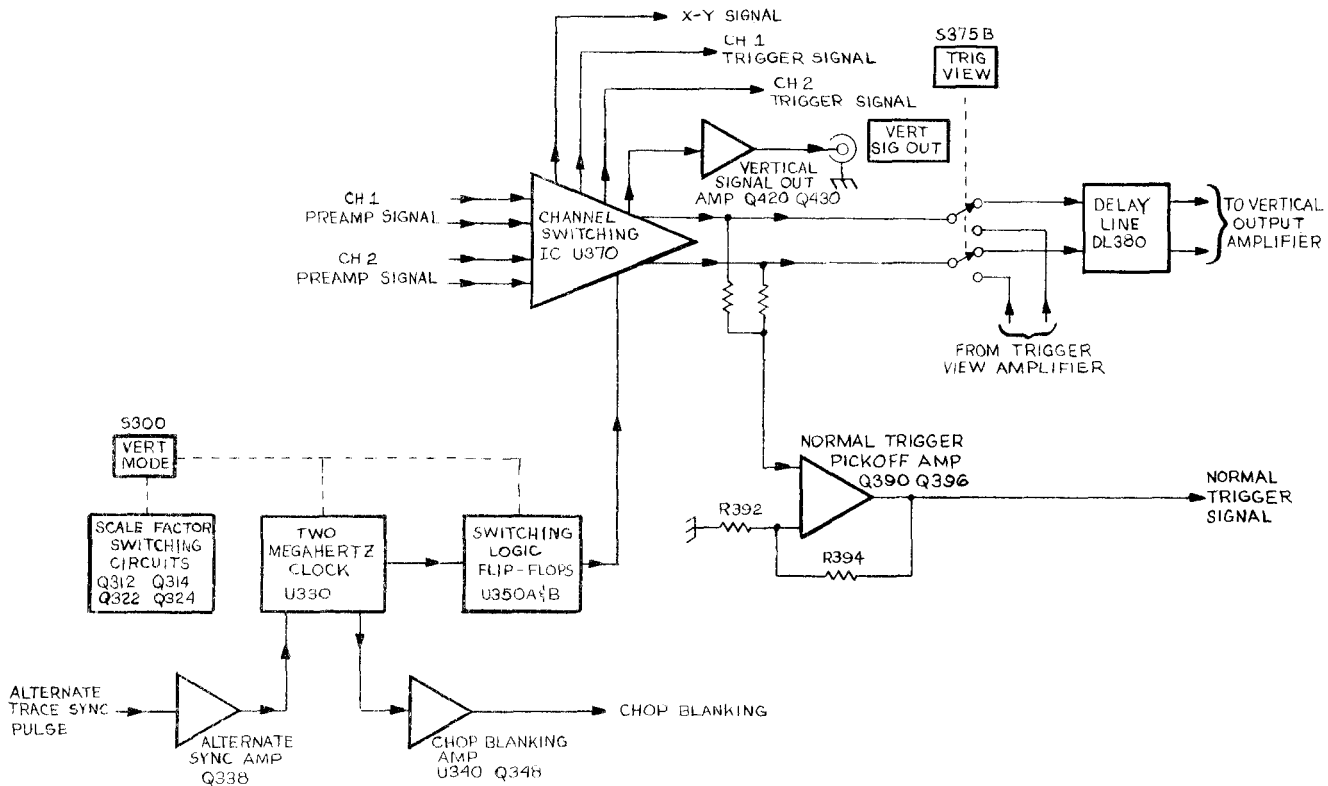


Fig. 3-4. Detailed block diagram of the Vertical Channel Switching circuit.

Chop Blanking Amplifier

The Chop Blanking Amplifier Q348 provides an output pulse to the Z Axis Amplifier circuit, which blanks out the transitions between the Channel 1 and Channel 2 traces when operating in the CHOP mode. The inherent propagation delay of inverters U340A, U340B, and U340C are used to provide some signal delay to the chop blanking signal. This allows the blanking signal and the channel switching transient to arrive in the CRT simultaneously.

Channel 2 Signal Output Amplifier

Q420 and Q430 compose the Channel 2 Vertical Signal Output Amplifier. A sample of the Channel 2 signal from pin 5 of Channel Switch IC U370 is amplified and inverted by Q420. CR422 provides thermal compensation for the base-emitter junction of Q420. Common-base amplifier Q430 provides the final amplification and isolates the output from the internal amplifier circuitry. Output impedance of the amplifier is equal to the parallel combination of R431 and R432 (approximately 50 ohms).

Normal Trigger Pickoff Amplifier

The trigger signal for NORM trigger operation is obtained from a sample of the vertical deflection signal that is available from pin 15 of U370. Normal Trigger DC Adjustment R425 sets the DC level of the normal trigger output signal so that the sweep is triggered at the 0 level of the display signal when the Triggering LEVEL control is set to 0. Q390 and Q396 are connected as a non-inverting feedback amplifier. Gain of the stage is approximately:

$$\frac{R392 + R394}{R392}$$

Scale-Factor Switching Circuits

The vertical deflection factor for each channel is indicated by back-lighting the appropriate figures imprinted on the flange of each VOLTS/DIV knob. For purposes of explanation, only the circuit action of the Channel 1 Scale-Factor Switching Circuit is discussed. When a X1 probe is connected to the CH 1 OR X input connector, the base level of Q312 is drawn positive by R316 toward the collector level of Q314. Q314 conducts heavily through X1 display factor bulb DS314 and Q312 is turned off. Therefore, the X1 display factor bulb is on and the X10 display factor bulb is off.

When a X10 probe with a scale factor switching connector is attached to the CH 1 OR X input connector, the base of (Q312 is grounded through R311. Now, Q312 conducts very heavily through X10 display factor bulb DS312. The positive level at the collector of Q312 turns Q314 off (through the divider R313-R314); the X10 display factor bulb is on and the X1 display factor bulb is off.

VERTICAL OUTPUT AMPLIFIER

General

The Vertical Output Amplifier provides the final amplification for the vertical deflection signal. This circuit includes the BEAM FIND function. The BEAM FIND pushbutton, when pressed, compresses an overscan display to within the CRT viewing area. A schematic of the Vertical Output Amplifier is shown on Diagram 4 at the rear of this manual.

First IC Amplifier

The first amplifier stage in the Vertical Output Amplifier is integrated circuit U450. U450 is basically an emitter-coupled, push-pull, cascode amplifier cell. Biasing is arranged so that there is no phase-inversion through the stage. The signal from the delay line is applied to the amplifier through C441, L441, L442, C445, L445, and L444. These inductances and capacitances are part of the etched runs of the circuit board and provide some high-frequency peaking by forming a T-coil circuit without mutual coupling. Most of the components connected between pins 2 and 3 of U450 provide high-frequency compensation of the stage. RT452 varies in value with variations in ambient temperature to compensate for associated changes in amplifier gain. The BEAM FIND pushbutton, when pressed, removes -8 volts from the top of R459. This reduces the dynamic swing capabilities of the stage to limit the display on the CRT to within the viewing area. The gain of the Vertical Output Amplifier section is adjusted in this stage by adjusting Vertical Output Gain R449.

Second IC Amplifier

The second amplifier stage in the Vertical Output Amplifier is integrated circuit U470. U470 is a multi-stage cascode amplifier cell. The input signal is applied to pins 1 and 5 with the inverted output signal taken from pins 9 and 12. Pins 2 and 4 are emitter connections. Some of the components connected between pins 2 and 4 provide slower time constants to compensate for signal rolloff that occurs in the delay line, while the remaining components compensate for thermal considerations in the stage. The Output Bias adjust (R487) sets the DC levels within the stage to optimize the operating performance of U470. The output signal from U470 connects directly to the deflection plates of the CRT.

A TRIGGER GENERATOR

General

The A Trigger Generator circuit produces the trigger pulse used to start the Sweep Generator circuit that provides the A portion of the CRT display. The trigger pulse is derived from the internal trigger signal from the vertical deflection system, an external signal connected to

Circuit Description-475

the external trigger input connector, or a sample of the line voltage connected to the instrument. Controls are provided to select trigger level, slope, coupling, and source. Fig. 3-5 shows a detailed block diagram of the A Trigger Generator circuit. A schematic of this circuit is shown on Diagram 5 at the rear of this manual.

Trigger Source

The Trigger SOURCE switch S505 selects the source of the trigger signal. The sources available to the A Trigger Generator circuit are the signal being displayed (NORM), Channel 1 (CH 1), Channel 2 (CH 2), the instrument line voltage (LINE), and external signals (EXT and EXT $\div 10$). Emitter followers Q502, Q504, and Q506 provide isolation between the input to the A Trigger Circuit and the output of the Vertical Channel Switching Circuit.

In the LINE mode of triggering, a sample of the power line frequency is obtained from the secondary of the power transformer T1400 in the Low Voltage Power Supply circuit. The Trigger COUPLING switches should not be in the LF REJ mode when using the instrument line voltage as a trigger signal source.

Trigger Coupling

The Trigger COUPLING switches offer a means of accepting or rejecting certain components of the trigger signal. In the AC, LF REJ, and HF REJ mode of trigger coupling, the DC component of the trigger signal is blocked by coupling capacitors C515 or C516. Frequency components below about 60 Hz are attenuated when using AC or HF REJ coupling and below about 50 kHz when using LF REJ coupling. The higher frequency components of the trigger signal are passed without attenuation. In the HF REJ mode of trigger coupling, the high frequency components of the trigger signal (above about 50 kHz) are

attenuated, while the lower frequency components (between about 60 Hz and 50 kHz) are passed without attenuation. The DC mode of trigger coupling passes unattenuated all signals from DC to 200 MHz and above.

Input Source Follower

Transistor Q522 is an FET source follower. It provides a high input impedance (set primarily by R517) for the trigger signal; it also provides isolation between the Trigger Generator circuit and the trigger signal sources. CR519 provides input protection for Q522 if excessively high amplitude negative-going input signals are present. Q524 is a high-impedance, relatively constant current source for Q522 and provides a measure of temperature compensation for Q522. The output signal from the Source Follower is taken from Emitter Follower Q526.

Paraphase Amplifier

U520 is a paraphase amplifier stage that converts the single-ended input from Emitter Follower Q526 into a dual-ended push-pull output, which is applied to one of the Tunnel Diode Driver stages. Trigger Centering adjustment R534 sets the level at pin 14 of U520 (through emitter follower Q532) so that the display is correctly triggered when the LEVEL control is centered. The LEVEL control varies the level at pin 14 of U520 to select the point on a trigger signal where triggering occurs.

The slope of the input signal that triggers the Sweep Generator circuit is determined by the setting of the SLOPE switch S530. When the SLOPE switch is set to the + position, the output signal at pin 8 of U520 is inverted with respect to the input signal, and the output signal at pin 9 is

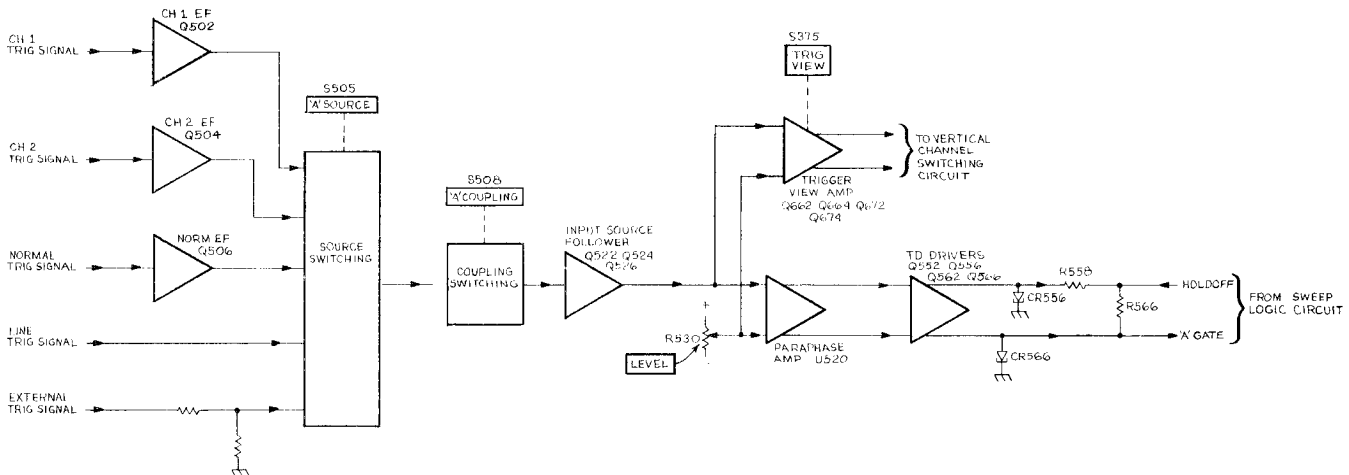


Fig. 3-5. Detailed block diagram of the A Trigger Generator.

in phase with respect to the input signal. When the SLOPE switch is set to the — position, the output signal at pin 8 is in phase with respect to the input signal, and the output signal at pin 9 is inverted with respect to the input signal.

Tunnel Diode Driver

Q552, Q556, Q562, and Q566 are common-emitter amplifier stages that provide the signal currents necessary to switch the triggering tunnel diodes. CR556 and CR566 are ten-milliampere tunnel diodes. Quiescently (i.e., after the sweep holdoff period has passed, but before triggering), CR556 and CR566 are biased into their low voltage states. When the input signal increases the current in Q556 slightly above its quiescent state, this current and the current thru R555 is sufficient to bias CR556 into its high voltage state. The anode of CR556 steps positive to an approximately +0.5 volt level. Since less current is required to maintain a tunnel diode in its high voltage state than is required to switch it to its high voltage state, approximately 6 mA of current is additionally available to switch CR566 to its high voltage state. Thus, the next time Q566 conducts signal current, CR566 steps to its high voltage state sending a positive pulse to the logic circuit to initiate sweep action. The A Trig Sensitivity adjustment, R565, adjusts the tunnel diode bias to the proper level that will not allow CR566 to be switched to its high voltage state until CR556 has been switched to its high voltage state. At the end of the sweep time and during holdoff, a negative level is applied to the junction of R558 and R566, thereby resetting both CR556 and CR566 to their low voltage states. The reset level remains during holdoff time to ensure that a sweep gating signal is not generated until the sweep circuit has returned to its quiescent state.

Trigger View Amplifier

The Trigger View Amplifier circuit amplifies a sample of the signal present in the A Trigger Generator circuit and passes it on to the Vertical Output Amplifier for display on the CRT when the TRIG VIEW pushbutton is pressed. This provides a method of making a quick and convenient check of the signal being used to trigger the oscilloscope and is intended primarily to be used to check the timing difference between the trigger signal and the vertical deflection signal.

The amplifier consists of two emitter-coupled push-pull amplifier stages. The emitter source voltage for Q662 and Q672 is switched on and off by the TRIG VIEW pushbutton. With the TRIG VIEW pushbutton not pushed, the emitters of Q662 and Q672 are returned to ground through R665. This reverse-biases the base-emitter junctions of the transistors, preventing any loading of the A Trigger Generator circuit. When the TRIG VIEW pushbutton is pushed, the emitters are now returned to +15 volts through R663. This forward biases Q662 and Q672 to allow signal amplification. R673 adjusts for correct DC balance in the circuit.

Normally, the output of the Vertical Channel Switching circuit is applied to the input of the Delay Line. When the TRIG VIEW pushbutton is pushed, the signal from the Vertical Channel Switching circuit is removed and the output from the Trigger View Amplifier is applied in its place.

B TRIGGER GENERATOR

General

The B Trigger Generator circuit produces the trigger pulse used to start the Sweep Generator circuit that provides the B portion of the CRT display. The B Trigger Generator circuit is virtually the same as the A Trigger Generator circuit and only the differences between the two are described here. A schematic of this circuit is shown on Diagram 6 at the rear of this manual.

Trigger Source

The B Trigger Generator circuit has no LINE or EXT $\div 10$ positions on its Trigger SOURCE switch. If the Generator is to be triggered from a line voltage signal or the external trigger signal is to be attenuated, it must be accomplished in some other manner. The B Trigger SOURCE switch does have a STARTS AFTER DELAY position, however, that the A Trigger SOURCE switch does not. This position allows the B portion of a display to start immediately after the selected delay time without waiting for a triggering signal.

SWEEP AND Z AXIS LOGIC CIRCUIT

General

The Sweep And Z Axis Logic Circuit derives the logic levels necessary to control the sequence of events associated with sweep generation and CRT unblinking. The +A and +B GATE signals are also generated in this circuit. positive logic terminologies and symbologies are used in the following explanation of circuit operation. A schematic of this circuit is shown on Diagram 7 at the rear of this manual.

Sweep Control Integrated Circuit

U 600 is the Sweep Control Integrated Circuit. Several functions are performed in this stage, depending on the mode of operation of the instrument sweep generators. The following is a brief explanation of the function associated with each pin of the IC.

Pin 1. This is the positive Auto Sense input. The signal connected here comes from the A Fire TD in the A Trigger Generator circuit.

Circuit Description-475

Pin 2. This is the negative Auto Sense Input. A fixed DC level established by R602 and R603 is connected here.

Pin 3. This is the + auto gate terminal. In the AUTO mode of operation, if no trigger signals are applied to pin 1 of U600 during the ≈ 40 ms time period following the end of holdoff, the gate level at pin 3 steps LO to turn 0574 on, which initiates sweep.

Pin 4. This is the - auto gate terminal, not used in this application.

Pin 5. Input terminal for negative voltage supply.

Pin 6. This is the auto gate timing terminal. R609 and C609 determine the amount of time between the end of holdoff and the generation of the auto gate.

Pin 7. This terminal lights the TRIG'D light when a triggering gate has occurred.

Pin 8. This is the holdoff timing terminal. The time between the end of a sweep and when a positive pulse is conducted at pin 8 is determined by RC components (selected by the TIME/DIV Switch) in the Holdoff Timing circuit.

Pin 9. Ground terminal.

Pin 10. Not used in this application.

Pin 11. This terminal lights the READY light when operating in the single sweep mode.

Pin 12. This is the single sweep mode terminal, When +5 volts is connected to this terminal, the sweep operates in the single sweep mode; when the terminal is left open or grounded, the sweep operates in the repetitive mode.

Pin 13. Not used in this application.

Pins 14 and 15. Single sweep reset terminals. Pushing the PUSH TO RESET button prepares the single sweep circuitry to respond to the next one triggering event. Also causes the READY light to be lit.

Pin 16. This is the holdoff start input terminal. The HI sweep reset gate pulse from the Holdoff Start circuit is applied here to initiate sweep holdoff.

Pin 17. This is the holdoff output terminal. The gate level this terminal is HI during holdoff and LO otherwise.

Pin 18. Sweep disable input, +5 volts applied to this terminal disables all sweep action.

Pin 19. Auto mode terminal, Grounding this terminal enables auto sweep operation.

Pin 20. Input terminal for positive voltage supply.

Main Gate Comparator

Q572 and Q574 form the Main Gate Comparator and are connected as a voltage comparator, where both transistors do not conduct at the same time. The input signal to the stage is the positive-going trigger signal from the A Fire Trigger TD in the A Trigger Generator circuit. The signal at the collector of Q574 is inverted by Q588, is connected to the Z Axis Logic Multivibrator to control CRT blanking, and to Q584 to generate the A + GATE output signal. The signal at the collector of Q574 connects to the base of the Main Gate Amplifier stage (Q902) in the Sweep Generators circuit to initiate sweep generation.

Delayed Gate Comparator

Q802 and Q804 form the Delayed Gate Comparator and are connected as a voltage comparator where both transistors do not conduct at the same time. The input signal to the stage is the positive-going trigger signal from the B Fire Trigger TD in the B Trigger Generator circuit. The signal at the collector of Q804 is inverted by Q826 and is connected to the Z Axis Logic Multivibrator to control CRT blanking and to 0824 to generate the B + GATE output signal. The signal at the collector of Q802 connects to the base of the Delayed Gate Amplifier stage (Q996) in the Sweep Generators circuit to initiate sweep generation.

A Trigger TD Reset Circuit

Q612 and Q628 are connected as a voltage comparator and form the A Trigger TD Reset Circuit. At the start of holdoff, pin 17 of U600 steps HI. This turns on Q612 and turns Q628 off. The collector signal of Q612 connects to the Trigger Tunnel Diodes in the A Trigger Generator circuit and resets them to their LO state. At the end of holdoff pin 17 of U600 steps LO, Q612 turns off, and Q628 turns on.

Holdoff Start Circuit

Q594 and Q596 form the Holdoff Start Circuit. The input signal to the stage is the positive-going end-of-sweep signal from the Sweep Generators circuit or from the

Delayed Latch circuit. The positive-going signal turns Q594 on which in turn turns on Q596. The positive-going signal at the collector of Q596 is connected to pin 16 of U600 to start the holdoff period and is also used in the Vertical Switching Circuit to switch between channels in the ALT mode of operation.

Z Axis Logic Multivibrator

Q688 and Q698 are basically a Schmitt Multivibrator and form the Z Axis Logic Multivibrator. Quiescently, with the CRT display blanked, Q688 is on and Q698 is off. The signal to switch states of the multivibrator (and thereby unblank the CRT) can come from the Main Gate Comparator (via Q588 and CR681) or from the Delayed Gate Comparator (via Q826 and CR684). The negative going signals turn off Q688 and cause Q698 to turn on. The positive going signals that return the multivibrator to its original state (thereby blanking the CRT display) come from Q588 via CR682 and CR683, or from Q680 via CR680 and CR683. Q680 is used primarily to ensure proper early turn-off of the CRT display at faster sweep rates. In the MIX or A INTEN positions of the HORIZ DISPLAY switch, some additive unblinking is accomplished to slightly increase the intensity of the B portion of the display. In these positions of the switch, -8 volts is connected to the cathode of either CR691 or CR692. Now, when the Z Axis signal from the collector of Q826 steps negative at the beginning of the B portion of the display, CR693 is made to conduct less current, which makes a slight amount of additional unblinking current available to the Z Axis Amplifier (via CR694, R692, and either CR691 or CR692).

Delayed Sweep Latch Circuit

Q788, Q794, and Q796 form the Delayed Sweep Latch Circuit. The circuit function is used during the three delay sweep modes of operation that the instrument is capable of (MIX, A INTEN, and B DLY'D). Q938A, in the Delay Pickoff Comparator of the Delaying Sweep Generator, is the current source for the emitters of Q794 and Q796. Prior to the end of the delay time selected by the A TIME/DIV switch and the DELAY TIME POSITION control, Q938A is off, thereby causing both Q794 and Q796 to be off also. The base level of Q794 sits at a more negative level than does the base of Q796 so that when Q938A turns on, at the delay pickoff point, C749 will turn on and Q796 will remain off. The resultant positive movement at the collector of Q794 is connected to the B Trigger TD Reset Circuit.

The end-of-sweep pulse from the Non-Delaying Sweep Generators connects to the emitter of Q788. When this pulse steps positive at the end of a delayed sweep, Q788 turns off and the current through R788 pulls the base of Q794 positive. This turns off Q794 and causes Q796 to turn on. The circuit remains in this state until the Delaying

Sweep Generator ends its sweep and resets the Delay Pickoff Comparator. In the B ENDS A position of the A TRIG HOLDOFF control +5 volts is connected to R798. This enables the diode gate composed of CR799 and CR592. Now, when the end-of-sweep pulse signals the end of a delayed sweep, the positive movement at the collector of Q796 is connected to the base of Q594. This starts the beginning of holdoff at the end of the delayed sweep instead of waiting until the end of the delaying sweep. This mode of operation gives the fastest possible sweep repetition rate when operating in the delayed sweep mode.

B Trigger TD Reset Circuit

Q790 and Q792 are connected as a voltage comparator and form the B Trigger TD Reset Circuit. At all times other than when the Non-Delaying Sweep Generators are running, Q790 is on, which holds the trigger tunnel diodes in the B Trigger Generator circuit in their LO states. At the end of the delay time selected by the A TIME/DIV switch and the DELAY TIME POSITION control, the positive movement at the collector of Q794 turns on Q792 and causes Q790 to turn off. The tunnel diodes in the B Trigger Generator are capable of being biased into their HI states. Also, if the B Triggering SOURCE switch is in the STARTS AFTER DELAY TIME position, the negative movement at the collector of Q792 reverse biases CR811, letting the -8 volt supply pull down on the base of Q804 in the Delayed Gate Comparator. This turns on Q804 and causes Q802 to turn off, which initiates a delayed sweep.

Delayed Sweep Override Amplifier

Q798 is the Delayed Sweep Override Amplifier. It is possible, with the right combination of control settings, to achieve a delayed sweep presentation where the delayed sweep would normally want to continue running after the end of the delaying sweep. For instance, if the TIME/DIV switches are set only one or two ranges apart and the DELAY TIME POSITION control is set to a 8.50 setting. Under these conditions the delaying sweep end-of-sweep pulse occurs before the delayed sweep end-of-sweep pulse. The positive movement on the collector of Q588 at the time of the delaying sweep end-of-sweep pulse turns Q798 on. The negative movement on the collector of Q798 pulls down on the collectors of Q794 and Q796, through CR793 and CR792 respectively, which in turn pulls down on the base of Q792. This turns off Q792 and causes Q790 to turn on, which resets the B Trigger Tunnel Diodes to their LO states, thereby terminating the delayed sweep.

A + GATE And B + GATE Amplifiers

Q584 and Q824 are the A + GATE and B + GATE amplifiers respectively. They provide the + GATE output signals available at the instrument rear panel. These output gate signals are positive-going rectangular waveforms, approximately 5 volts in amplitude, coincident with their respective sweep waveforms.

SWEEP GENERATORS

General

The Sweep Generators produce the sawtooth voltages that are amplified by the Horizontal Amplifier to provide horizontal deflection on the CRT. These sawtooth voltages are produced on command (trigger pulses) from the Trigger Generator circuits. The Sweep Generator circuits also produce gate waveforms that are used by the Z Axis Logic circuit to unblank the CRT during sweep time, and by the Sweep Logic circuit to terminate sweep generation. There are three Sweep Generator circuits in the instrument. Operation of all three is very similar; therefore only the operation of the Delaying Sweep Generator and the differences in operation of the three generators is discussed. Fig. 3-6 shows a detailed block diagram of the Sweep Generators. A schematic of the Sweep Generators is shown on Diagram 8 at the rear of this manual.

Delaying Sweep Generator

Basically the Delaying Sweep Generator is composed of Q904, Q920, Q922, and Q914. This generator only runs in the A INTEN, MIX, and B DLY'D positions of the HORIZ DISPLAY switch and generates the A portion of the display. The sweep rate is selected by the A TIME/DIV switch.

Main Gate Amplifier

Q902 is the Main Gate Amplifier stage. The negative-going Main Gate waveform from the Sweep Logic circuit is applied to the base of Q902. The amplified and inverted waveform at the collector of Q902 is applied to the Delaying Sweep Generator (through CR903), or to both of the Non-Delaying Sweep Generators (through Q992). This initiates sweep generation.

Sweep Disconnect Amplifier

Q904 is the Sweep Disconnect Amplifier. The biasing on the base of this stage determines whether the Delaying Sweep Generator will run. In the A position of the HORIZ DISPLAY switch, the anode of CR907 is connected to +5 volts through R908 and the HORIZ DISPLAY switch. This biases the base of Q904 far enough positive that the positive-going gates on the emitter cannot turn off Q904. Q904 therefore conducts all of the timing current through timing resistor R_t, keeping timing capacitance C_t discharged. When the HORIZ DISPLAY switch is in any position other than A, the anode of CR907 is connected to -8 volts. CR907 is now reverse-biased, which lets the base of Q904 be biased at a level that will allow the positive-going gates on the emitter of Q904 to interrupt the current flow through Q904. When Q904 turns off, the timing current starts to charge timing capacitance C_t.

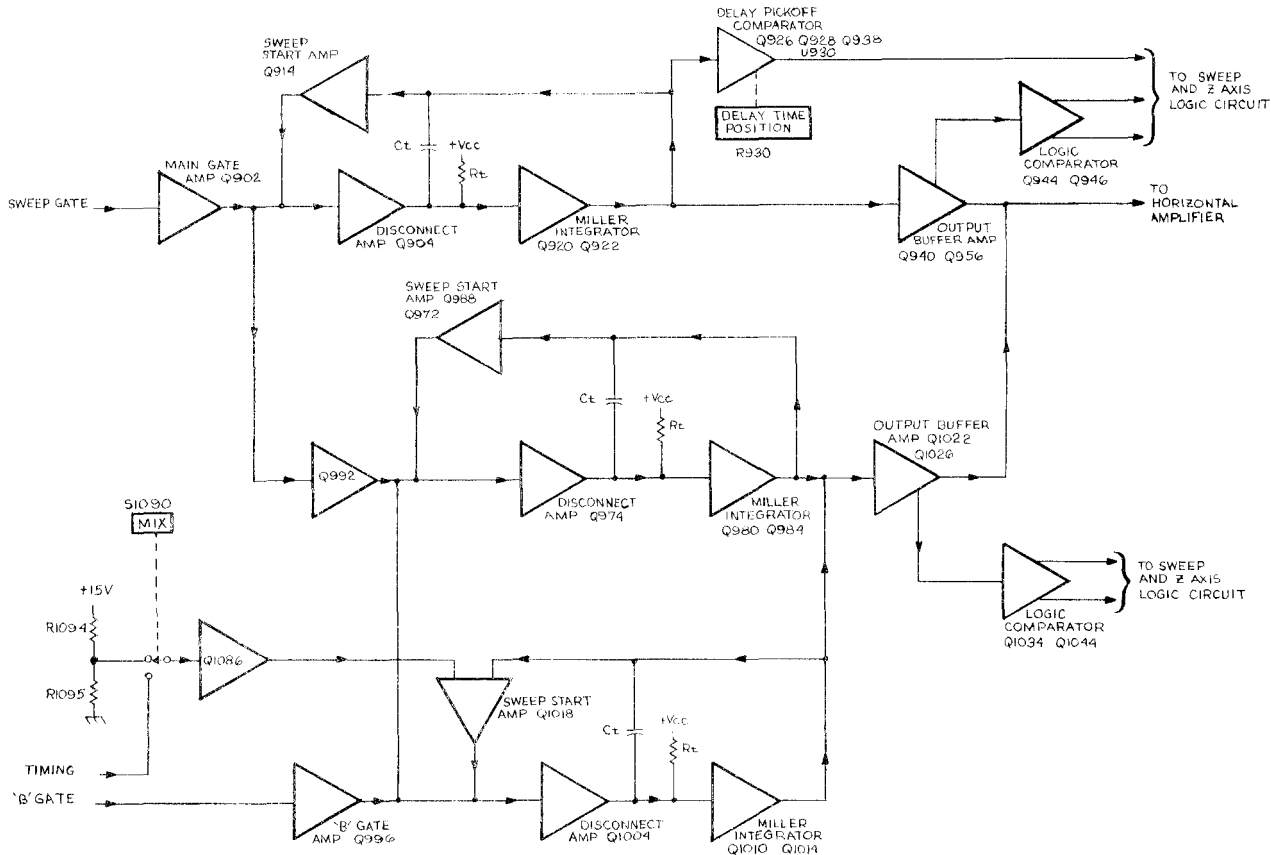


Fig. 3-6. Detailed block diagram of the Sweep Generator circuits.

Sawtooth Sweep Generator

Q920 and Q922 form a Miller Integrator circuit. When the current through the Sweep Disconnect Amplifier Q904 is interrupted, the timing capacitance begins to charge through the timing resistor. The timing resistor and capacitance are selected by the A TIME/DIV switch to provide the various sweep rates listed on the instrument front panel. The output signal at the collector of Q922 is a negative-going sawtooth voltage waveform.

Sweep Start Amplifier

Just before the sweep starts to run down, the levels at the bases of Q914 are approximately equal. When the sweep starts to run down, the base of Q914B goes negative, which increases the forward bias on CR914B. This in turn decreases the forward bias on CR914A, which very shortly after the start of the sweep, becomes reverse biased to interrupt the current through Q914A. The circuit remains in this condition until after the sweep retrace is complete. When the circuit returns to quiescence, Q914A begins to conduct through R904. This sets the current through Q904, which in turn establishes the DC level starting point for the sweep.

Output Buffer Amplifier

Q940 and Q956 form the Output Buffer Amplifier. Q940 is an emitter follower and Q956 is a common-base amplifier whose emitter is current-driven by the signal. The Output Buffer Amplifier provides the output sawtooth signal current to the Horizontal Amplifier and provides a measure of isolation between the Sawtooth Generator and the Horizontal Amplifier. Intensified Gain adjustment R950 adjusts the gain of the stage to match the output signal amplitude with that of the Non-Delaying Sweep Generators.

The Delaying Sweep Output Buffer Amplifier passes signal to the Horizontal Amplifier only when the HORIZ DISPLAY switch is in the A INTEN position and the TIME/DIV switches are not in the X-Y position. When the TIME/DIV switches are in the X-Y position the anode of CR956 is connected to +5 volts. This sets the base of Q956 at a positive enough level (about +6.3 volts in the A INTEN position; about +8.5 volts in the A, MIX, and B DLY'D positions) to reverse bias Q956 and prevent passage of the Delaying Sweep signal to the Horizontal Amplifier. With the TIME/DIV switches not in the X-Y position and the HORIZ DISPLAY switch in the A INTEN position R955 is connected to -8 volts and the anode of CR956 is not connected to any voltage. This forward biases CR955 and sets the base of Q956 at a DC level of approximately +4.3 volts. Now Q956 is forward biased and the Delaying Sweep signal is passed to the Horizontal Amplifier.

Logic Comparator

Q944 and Q946 are connected as a voltage comparator and generate the logic pulses that signal the end of sweep and blank the CRT display at the end of the sweep. Prior to the generation of a sawtooth voltage waveform by the Delaying Sweep Generator, the base of Q944 is at an approximate -1.6 volt level. The base of Q946 is held at about -3 volts by the divider made up of R948 and R949. Therefore, Q946 is reversed biased and not conducting and Q944 is forward biased and is conducting. Now, when the sweep voltage at the emitter of Q940 begins to go in a negative direction, the base of Q944 follows until the base of Q944 goes more negative than the base of Q946. Q944 turns off and Q946 turns on, generating a positive pulse at the collector of Q944 and a negative pulse at the collector of Q946. The positive pulse at the collector of Q944 signals the end of sweep and starts the hold off period. The negative pulse at the collector of Q946 signals the Z-Axis Logic circuit to blank the CRT and prevent any further display.

Delay Pickoff Comparator

The Delay Pickoff Comparator stage allows selection of the amount of delay from the start of the Delaying Sweep Generator before one of the Non-Delaying Sweep Generators is turned on. The amount of delay available is variable from 0.00 to 10.00 times the setting of the A TIME/DIV switch. The sweep rate of the Delayed (non-delaying) Sweep Generator is determined by the setting of the B TIME/DIV switch.

Q926A and Q926B are connected as a voltage comparator. Q928 is a relatively constant current source for Q926. Q938 is also connected as a voltage comparator circuit and is used to improve the switching capabilities of the stage. The reference voltage for the Delay Pickoff Comparator stage is provided by DELAY-TIME POSITION control R930. U930 is an integrated circuit containing two high-gain amplifier cells used in a feedback amplifier configuration. They provide accurate fixed voltages to both ends of the DELAY-TIME POSITION control to allow precise delay pickoff. The instrument is calibrated so that the major dial divisions of the DELAY-TIME POSITION control correspond to major divisions of horizontal deflection on the CRT graticule. For example, if the DELAY-TIME POSITION control is set to 5.00, the Non-Delaying Sweep Generator is delayed five divisions of the Delaying Sweep time before it can produce a sweep.

The sawtooth voltage waveform from the Delaying Sweep Generator is connected to the gate of Q926B. The quiescent level of the delaying sawtooth biases Q926B on and its drain is negative enough to bias Q938B on. Q926A and Q938A are off and not conducting. As the Delaying Sweep sawtooth voltage goes down, the gate of Q926B also

goes down. When it goes more negative than the level at the gate of Q926A (established by the DELAY-TIME POSITION control), Q926A conducts and Q926B turns off. This also switches the states of Q938A and B and produces a positive-going rectangular pulse at the collector of Q938A. When the Delaying Sweep resets, Q926B again conducts and Q926A is turned off. This switches Q938A and B back to their original states.

Non-Delaying Sweep Generators

There are two Non-Delaying Sweep Generators. In any position of the HORIZ DISPLAY switch, one of these generators will be running. They generate the displayed sweep in the A position of the HORIZ DISPLAY switch and the B portion of a display in the remaining positions. The B TIME/DIV switch selects the sweep rate for these generators. One generator provides the 0.5 second through 1 microsecond sweep rates, while the other generator provides the 1 microsecond through 0.05 microsecond sweep rates.

Either the "Main" Gate or the "B" Gate can initiate sweep generation by the Non-Delaying Sweep Generators. When the HORIZ DISPLAY switch is in the A position, +5 volts is applied to the emitter of Q992, through R922. Q992 is forward biased, and the "Main" Gate is passed on to the Non-Delaying Sweep Generators through CR922 and CR971 or CR1001. In all the other positions of the HORIZ DISPLAY switch, -8 volts is connected to the emitter of Q992 through R922. This reverse-biases Q992 and prevents the "Main" Gate from reaching the generators. Now, only the "B" Gate can initiate sweep action in the Non-Delaying Sweep Generators.

"B" Gate Amplifier

Q996 is the "B" Gate Amplifier stage. The negative-going waveform from the Sweep Logic circuit is applied to the base of Q996. The amplified and inverted waveform at the collector of Q996 is applied to the Non-Delaying Sweep Generators through CR996 and CR971 or CR 1001 to initiate sweep generation.

Non-Delaying Sweep Generator Differences

Basically the Non-Delaying Sweep Generators operate in the same manner as the Delaying Sweep Generator. The "fast" generator (Q1004, Q1010, Q1014, and Q1018) has only one timing capacitance (the parallel combination of C1008 and C1009). The capacitance is variable to achieve precise timing accuracy. Timing resistors are selected by the B TIME/DIV switch to provide the fastest six sweep speeds listed on the front panel.

Q988 and Q1018 are Sweep Start Amplifiers and establish the DC level starting points for the sweeps. The "slow" generator (Q974, Q980, Q984, Q988, and Q972) has an additional emitter follower (Q972). This emitter follower increases the current-gain of the loop to speed up the retrace time of the generator (determined by the time required to discharge the timing capacitor).

Mixed Mode Operation

Normally, Q1086 is an emitter follower, with a fixed DC level at its base established by R1094 and R 1095. The fixed level at the emitter of Q1086, in turn, is applied to the base of Q1018 and Q988, through CR1017 and CR987, respectively. This established the quiescent current flow through Q988 and Q1018 to establish the DC level starting points for the sweeps as previously explained. However, when the HORIZ DISPLAY switch is in the MIX position, the fixed level at the base of Q1086 is replaced by the sawtooth voltage waveform being generated by the Delaying Sweep Generator. Now, the DC level starting point of the Non-Delaying Generator, that is running is constantly being changed by the Delaying Sweep sawtooth. The output waveform from the Non-Delaying Sweep Generator that is running will be a composite sawtooth waveform with the first and last parts occurring at a rate determined by the Delaying Sweep Generator (last part blanked out of CRT display) and the middle part occurring at a rate determined by one of the Non-Delaying Sweep Generators.

Logic Comparator

Q1044 and Q1034 are connected as a voltage comparator, and generate the same sort of logic pulses as the Logic Comparator in the Delaying Sweep Generator circuit. The positive-going pulse at the collector of Q1034 signals the end of the Non-Delaying Sweep, and the negative-going pulse at the collector of Q1044 blanks the display at the end of the Non-Delaying Sweep. However, the logic pulses from this comparator are not always allowed to pass to the Sweep and Z-Axis Logic circuits.

In the A INTEN position of the HORIZ DISPLAY switch, +5 volts is connected to the anode of CR1049 through R1049. This forward biases CR1044, which sets the collector of Q1044 at approximately +0.7 volts. This keeps CR1046 reverse-biased and prevents completely blanking the CRT at the end of the B portion of the display. In the A INTEN, MIX, and B DLY'D positions of the HORIZ DISPLAY switch, -8 volts is connected to the anode of CR 1036. This disables the diode gate composed of CR 1034 and CR 1037 and does not allow the end-of-sweep pulse from Q1034 to pass to the Sweep Logic circuit. In the A position of the HORIZ DISPLAY switch, +5 volts is connected to the anode of CR 1036. This enables CR 1034-CR1037 and allows the end-of-sweep pulse to pass to the Sweep Logic circuit.

HORIZONTAL AMPLIFIER

General

The Horizontal Amplifier circuit provides the output signals to the CRT horizontal deflection plates. The signal applied to the input of the Horizontal Amplifier is determined by the TIME/DIV switch. The signal can be a sawtooth waveform generated within the instrument, or some external signal applied to the CH 1 OR X input connector (X-Y mode of operation). The Horizontal Amplifier also contains the X10 magnifier, horizontal positioning controls, and some beam finder circuitry. Fig. 3-7 shows a detailed block diagram of the Horizontal Amplifier circuit. A schematic of this circuit is shown on Diagram 10 at the rear of this manual.

Input Paraphase Amplifier

Q1124 and Q1134 form the Input Paraphase Amplifier. This is an emitter-coupled amplifier stage that converts the single-ended input signal to a push-pull output signal. The X10 Magnifier circuitry is in this stage and consists of a divide-by-ten attenuator R1106-R1107-R1108. When the X10 Magnifier is on, the input signal is applied unattenuated to the Input Paraphase Amplifier. When the X10 Magnifier is off, the input signal is applied to the Input Paraphase Amplifier through the attenuator. X10 MAG indicator DS1110 lights when the X10 Magnifier is being used. CR1121 and CR1122 limit signal amplitudes at the input to the amplifier to prevent amplifier overdrive. Q1140 is a relatively constant current source for Q1124 and Q1134. CR1140 provides temperature compensation for the base-emitter junction of Q1140. RT1123 varies in value with changes in temperature to compensate for associated changes in amplifier gain. Magnifier Registration adjustment R1130 balances quiescent DC current in Q1124

and Q1134 so that a center screen display does not change position when the X10 Magnifier is turned on.

Q1114 is a current-source that is an interruptable path for the horizontal positioning currents. When the TIME/DIV switch is in any position other than X-Y, the anodes of CR1103, CR1104, and CR1111 are connected to -8 volts through R1104, which reverse-biases them. In the X-Y position of the TIME/DIV switch, +5 volts is connected directly to the anodes of CR1103, CR1104, and CR1111. This accomplishes three things. First, the emitter-base junction of Q1114 is reverse biased which prevents the Horizontal POSITION and FINE controls from having any affect on the display. Second, relay K1103 is energized which connects the X-axis signal from the Channel 1 Preamplifier to the input to the Horizontal Amplifier. Third, +5 volts is connected to the Channel 1 Scale Factor Switching circuit so that both deflection factor indicators are operating. When operating in the X-Y mode, R1102 adjusts for correct X-axis gain and L1103 adjusts to reduce the phase d inferences between the horizontal (X) and vertical (Y) signal paths.

Gain Setting Amplifier

Q1152 and Q1162 are an emitter-coupled push-pull amplifier stage. The gain of this stage is adjusted to match the CRT sensitivity. When the BEAM FIND pushbutton is pushed R 1168 is switched into the circuit. This reduces the dynamic swing capabilities of this stage, thereby limiting horizontal deflection to within the limits of the CRT viewing area. Q1152 and Q1162 operate in an overdriven mode. This means at the extremes of signal amplitude, one side will be turned off while the other side is still conducting. This condition generates some common-mode signal d inferences between Q1152 and Q1162. Q1164 monitors any common-mode signal differences (through R1165 and R1167) and conducts to minimize them.

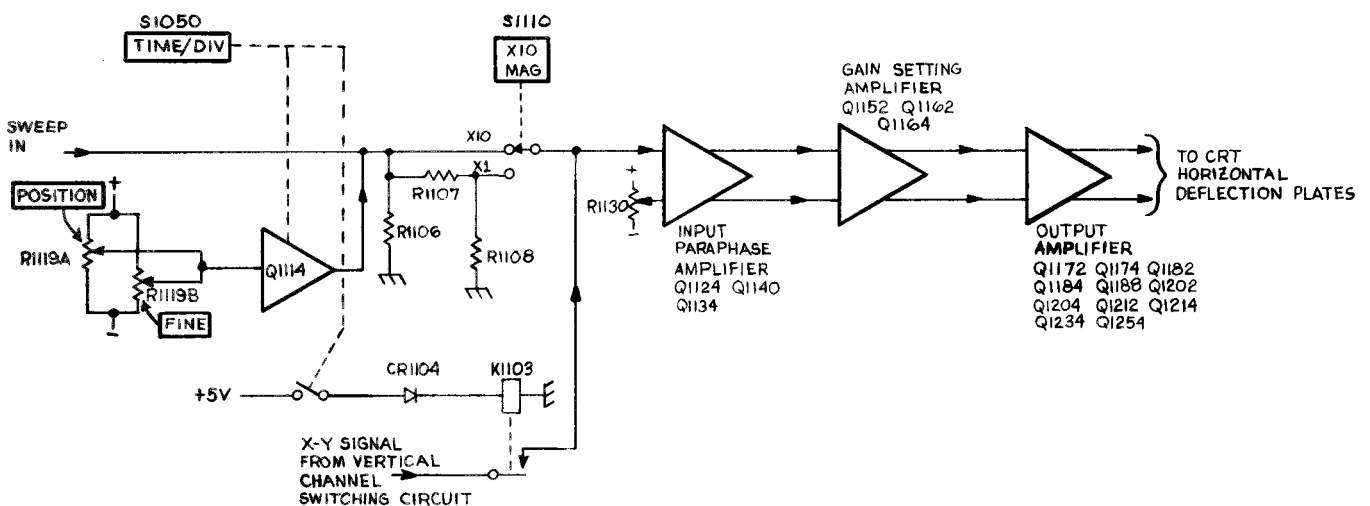


Fig. 3-7. Detailed block diagram of the Horizontal Amplifier.

Circuit Description-475

Output Amplifier

The push-pull signal from the Gain Setting Amplifier is connected to the Output Amplifier. Each half of the Output Amplifier can be considered as a single-ended feedback amplifier, which amplifies the signal at its input to produce a voltage output to drive one of the horizontal deflection plates of the CRT. Both halves of the Output Amplifier are basically the same with only minor differences; therefore, only the upper amplifier (drives the + horizontal deflection plate) and the differences will be explained.

Q1172 and Q1174 are connected in a Darlington configuration. Q1234 is a feedback amplifier in the feedback path for the output amplifier. Q1234 sets DC levels and reduces the impedance of the feedback path. Q1202 and Q1204 form a complementary amplifier that provides the output signal to drive the + deflection plate of the CRT. CR1173 clips excessive signal amplitudes and also provides temperature compensation for several of the emitter-base junctions in the output amplifier. R1175, C1233, and C1179 are high-frequency compensation adjustments. R1256 centers the output signal swing within the dynamic swing capabilities of the output amplifier.

There are two signal paths through each half of the Output Amplifiers. Slow signal transitions are applied to the CRT through Q1172, Q1174, and Q1204 with feedback via R1233 and R1235. C1235, C1233, and C1178-C1179 compensate the amplifier and provide a fast AC signal path from one side of the amplifier to the other. The lower amplifier (drives the — horizontal deflection plate) is basically the same as the upper except for two things. Q1188 is a relatively constant current source for Q1182 and Q1184. VR1216 shifts the DC level of the signal from the collectors of Q1182 and Q1184 to the emitter level of Q1214.

LOW-VOLTAGE POWER SUPPLY

General

The Low-Voltage Power Supply circuit provides the operating power for this instrument from six regulated power supplies. Electronic regulation is used to provide stable, low-ripple output voltages. Fig. 3-8 shows a detailed block diagram of the Power Supply circuit. A schematic of this circuit is shown at the back of this manual.

Power Input

Power is applied to the primary of transformer T1400 through Line Fuse F1401, POWER switch S1401, Thermal Cutout S1402, Line Voltage Selector switch S1403, and the Regulating Range Selector. Line Voltage Selector switch S1403 connects the split primaries of T1400 in parallel for

115-volt nominal operation, or in series for 230-volt nominal operation. Line Fuse F1401 should be changed for each nominal line voltage (current rating of fuse for 230-volt operation is one-half the current rating of fuse for 115-volts).

The vacant windings between pins 10, 10A, 11, 12, and 12A of T1400 are intended for use with the optional Inverter Circuit Board (Option 7). This allows the instrument to be operated from an external DC power source or an 1106 Power Supply.

Secondary Circuit

The -8 volt, -15 volt, +5 volt, +15 volt, +50 volt, and +110 volt supplies are series-regulated supplies. U1418, U1454A and B, and U1464A and B are high-gain amplifier cells with differential inputs. These amplifiers monitor variations in the output voltages and generate error signals to maintain relative constant output levels. Additionally unregulated voltages are used from the +15 volt and +50 volt supplies.

Q1492, Q1498, and their associated circuitry monitor the unregulated voltage in the +50 volt supply and provide a visual indication (via the LOW LINE indicator on the front panel) when the applied line voltage falls below the lower regulating limit selected by the Regulating Range Selector assembly. Q1482 provides operating power to the CRT graticule lights that is adjustable via the SCALE ILLUM control R1480.

CRT CIRCUIT

General

The CRT Circuit provides the voltage levels and control circuits necessary for operation of the cathode-ray tube (CRT). Fig. 3-9 shows a detailed block diagram of the CRT Circuit. A schematic of this circuit is shown on Diagram 12 at the rear of this manual.

High-Voltage Oscillator

Q1318 and associated circuitry compose the high-voltage oscillator that produces the drive for high-voltage transformer T1320. When the instrument is turned on, current through Q1316 provides forward bias for Q1318. Q1318 conducts and the collector current increases, which develops a voltage across the collector winding of T1320. This produces a corresponding voltage increase in the feedback winding of T1320, which is connected to the base of Q1318, and Q1318 conducts even harder. Eventually the rate of collector current increase in Q1318 becomes less than that required to maintain the voltage across the collector winding and the output voltage drops. This turns

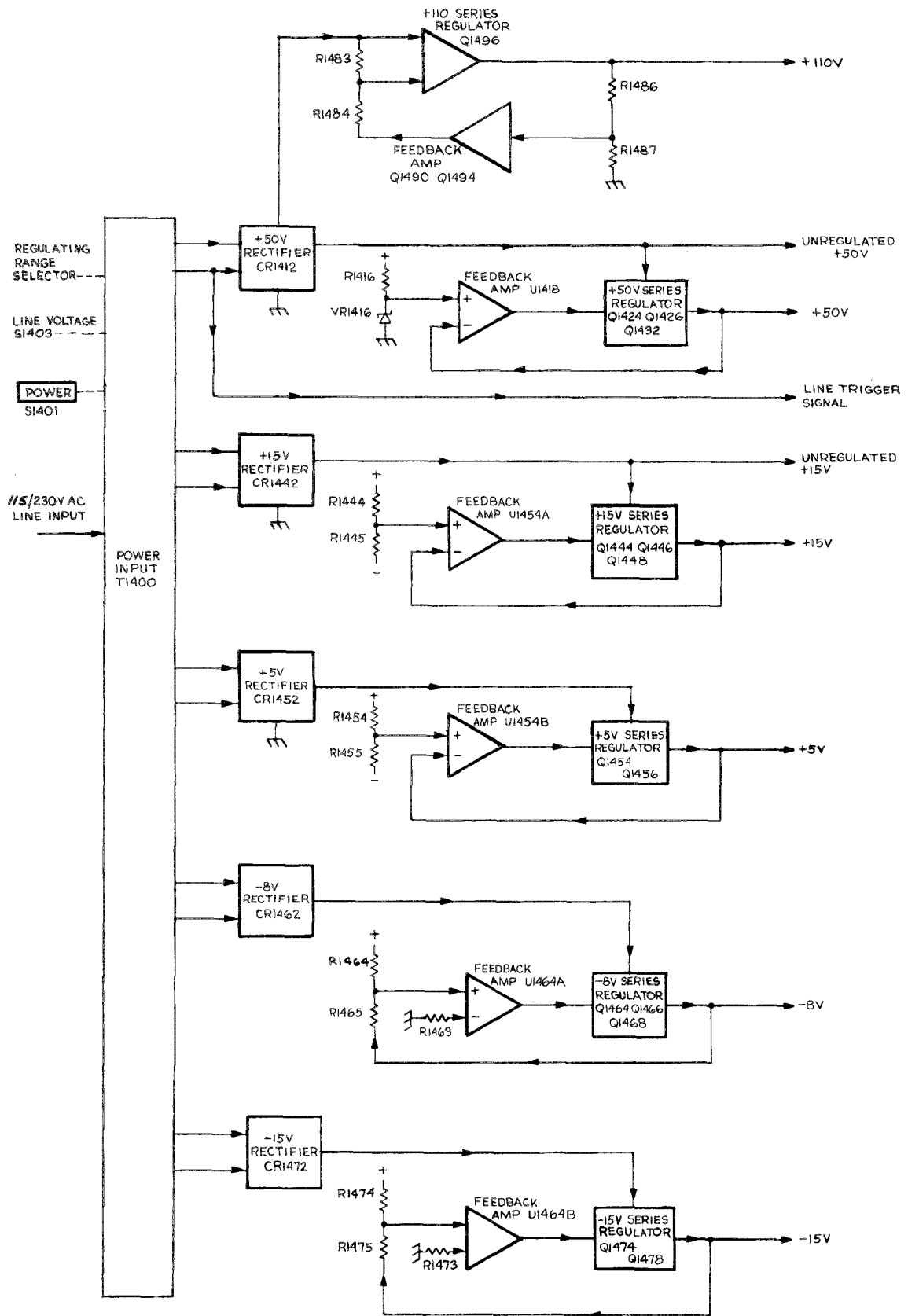


Fig. 3-8. Detailed block diagram of the Power Supply.

Circuit Description-475

Q1318 off by way of the feedback voltage to the base. The voltage waveform at the collector of Q1318 is a sine wave at the resonant frequency of T1320. Q1318 remains off during the negative half cycle while the field collapses in the primary of T1320. When the field is collapsed sufficiently, the base of Q1318 becomes forward biased into conduction again and the cycle begins anew. The amplitude of sustained oscillation depends upon the average current delivered to the base of Q1318. The frequency of oscillation is approximately 50 kilohertz. Fuse F 1318 protects the +15 volts supply in the event the High-Voltage oscillator stage becomes shorted. C1318 and L1318 decouple the +15 volt supply line and prevent the current changes present in the circuit from affecting the +15 volt regulator.

High-Voltage Regulator

Feedback from the CRT cathode -2450 volt supply is applied to the base of Q1306 through R1303A. Any change in the level at the base of Q1306 produces an error signal at the collector of Q1306, which is amplified by Q1308 and Q1316 and applied to the base of Q1318 through the feedback winding of T1320. Regulation occurs as follows.

If the output voltage at the -2450 volt test point starts to go positive (less negative), this positive-going change is applied to the base of Q1306. (Q1306 conducts harder, which in turn causes Q1308 and Q1316 to conduct harder. This results in greater bias current to the base of Q1318 through the feedback winding of T1320. Now, Q1318 is biased closer to its conduction level so that it comes into conduction sooner to produce a larger induced voltage in the secondary of T1320. This increased voltage appears as a more negative voltage at the -2450 volt test point to correct the original positive-going change. By sampling the output from the CRT cathode supply in this manner, the total output of the High-Voltage Supply is held relatively constant.

Q1312 and Q1310 compose an overvoltage protection circuit. In the event the regulating action of the circuit should cause the CRT cathode supply to approach approximately -3000 volts, the voltage level at the emitter of Q1316 will be very close to -6volts. Normally Q1312 and Q1310 are biased off and do not conduct. When the voltage level at the emitter of Q1316 reaches approximately -6 volts, Q1312 is biased into conduction, which in turn biases Q1310 on. Q1310 now starts to reduce the base drive

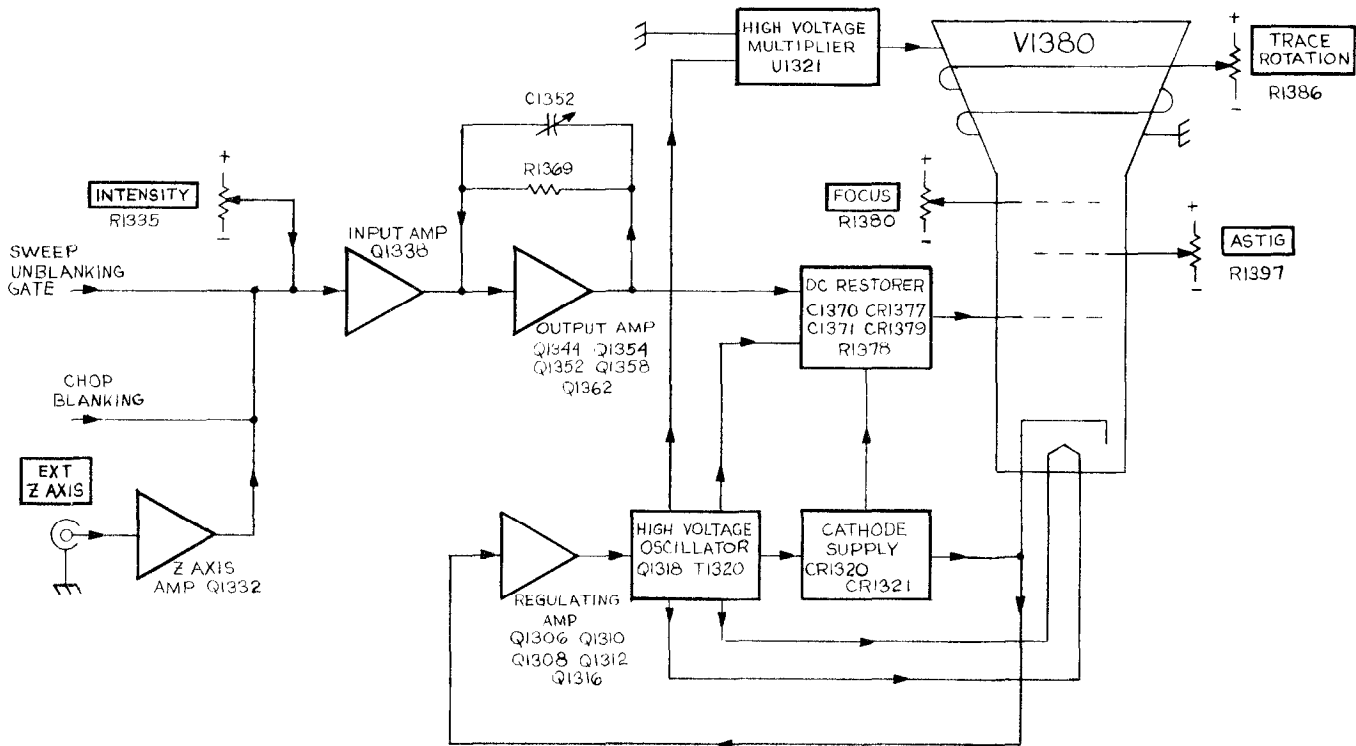


Fig. 3-9. Detailed block diagram of the CRT Circuit.

applied to Q1318 and prevents the amplitude of oscillations from increasing. This prevents the CRT cathode supply from going more negative than approximately -3300 volts.

High-Voltage Rectifiers and Output

The high-voltage transformer T 1320 has two output windings. One winding provides filament voltage for the cathode-ray tube. The filament voltage can be supplied from the High-Voltage Supply, since the cathode-ray tube has a very low filament current drain. The filament of the cathode-ray tube is elevated to the cathode level to prevent cathode-to-filament arcing. The other winding of T 1320 is used to derive both the negative cathode potential and the positive anode accelerating potential. The CRT grid bias voltage is derived by a DC restorer circuit that uses a sample of the signal in the high-voltage winding in conjunction with DC levels provided by the Z-Axis Amplifier and the negative CRT cathode potential.

The positive accelerating potential is supplied by High Voltage Multiplier U1321. Regulated output voltage is approximately $+15,500$ volts. The negative cathode potential is supplied by a voltage doubler circuit. Voltage output is -2450 volts. Variations in supply voltage are monitored by the High-Voltage Regulator circuit to provide a regulated high-voltage output.

In the 0.1 s, 0.2 s, 0.5 s, and X-Y positions of the TIME/DIV switch the anode of CR 1337 is connected to ground. This limits how negative the operating level at the emitter of Q1338 can go to reduce the unblinking capabilities of the amplifier, thereby reducing the possibility of inadvertently burning the CRT phosphor. When the BEAM FIND pushbutton is pushed -8 volts is connected to the junction of R1342 and R1346. This biases Q1338 off which in turn causes CR 1343 to be reverse biased. Now the output of the Z-Axis Amplifier is isolated from all of the circuit's normal signal inputs. The output level of the amplifier is set at a fixed level determined by the parallel value of R1343 and R1346 divided into the feedback resistance of the amplifier.

CRT Control Circuits

Focus of the CRT display is controlled by FOCUS control R1380. ASTIG adjustment R 1397, which is used in conjunction with the FOCUS control to provide a well-defined display, varies the positive level on the astigmatism grid. Geometry adjustment R1390 varies the positive level on the horizontal deflection plate shields to control the overall geometry of the display.

Two adjustments control the trace alignment by varying the magnetic field around the CRT. Y Align adjustment R1385 controls the current through L1385, which affects

the CRT beam after vertical deflection but before horizontal deflection. Therefore, it affects only the vertical (Y) components of the display. TRACE ROTATION adjustment R1386 controls the current through L1386 and affects both vertical and horizontal rotation of the beam.

Z-Axis Amplifier

The Z-Axis Amplifier circuit controls the CRT intensity level from several inputs. The effect of these input signals is to either increase or decrease the trace intensity, or to completely blank portions of the display. The input transistor Q1338 is a current-driven, low input impedance amplifier. It provides termination for the input signals as well as isolation between the input signals and the following stages. The current signals from the various control sources are connected to the emitter of Q1338 and the algebraic sum of the signals determines the collector conduction level.

Q1344, Q1352, Q1354, Q1358, and Q1362 compose a feedback amplifier stage. R 1369 is the feedback element, C 1352 provides high-frequency compensation. Q1344 is an emitter follower that provides drive to the output complementary amplifier made up of Q1352, Q1354, and Q1358. Q1358 is a device with higher frequency characteristics than Q1354 and is used to improve the overall frequency capabilities of the Z-Axis Amplifier. On the fast positive-going output signal peaks, Q1358 depletes the charge on C1358. Then, on the negative-going signal peaks, Q1362 is pulsed on to renew the charge on C1358. CR 1367 provides protection to the Z-Axis Amplifier circuitry in the event of short duration arcing in the CRT High-Voltage Power Supplies.

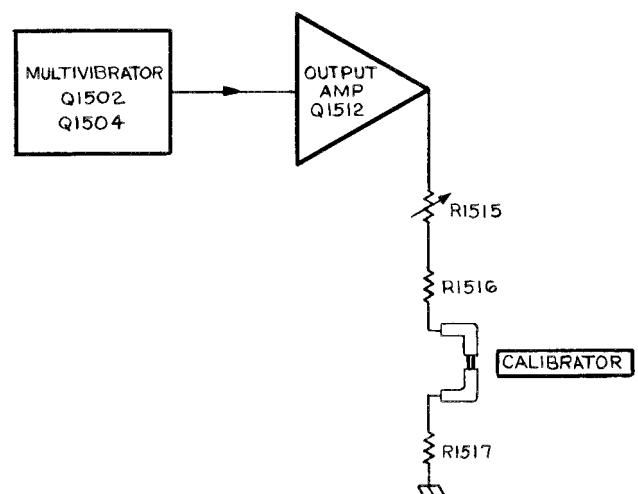


Fig. 3-10. Detailed block diagram of the Calibrator.

DC Restorer Circuit

C1372, C1371, CR1377, CR1379, and R1378 form a DC restorer circuit. All DC levels in this circuit are referenced to the negative potential of the CRT cathode. The voltage difference across R1378 approximately equals the voltage swing present at the junction of CR1371 and CR1373. The control grid end of R1378 is more negative than the end connected to CR1379. The amplitude of the voltage swings present at the junction of CR1371 and CR1373 is determined by the voltage levels established by the Z-Axis Amplifier and the CRT Bias adjust circuit. The output level of the Z-Axis Amplifier sets the limit of the negative excursion (through CR1371) and the Grid Bias adjust circuit sets the limit of the positive excursion (through CR1373).

CALIBRATOR

General

The Calibrator circuit produces a square-wave output signal with accurate voltage and current amplitudes. This output is available as a voltage or current at the CALIBRATOR current loop on the instrument front panel. Fig. 3-10 shows a detailed block diagram of the Calibrator circuit. A schematic of this circuit is shown on Diagram 13 at the back of this manual.

Multivibrator

Q1502 and Q1504 along with their associated circuitry compose an astable multivibrator. The basic frequency of the multivibrator is approximately one kilohertz and is essentially determined by the RC combination of C1505 and R1502. The multivibrator symmetry is set by R1502

and R1504. Q1502 and Q1504 alternately conduct, producing a square-wave signal that is taken from the collector of Q1504.

Output Amplifier

The output signal from the Multivibrator overdrives Output Amplifier Q1512 to produce a square wave at the output. When the base of Q1512 goes positive, Q1512 is cut off and the collector level drops down to ground. When the base goes negative, Q1512 is biased into saturation and the collector of Q1512 rises positive to about +5 volts. Amplitude adjustment R1515 adjusts the resistance between the collector of Q1512 and ground to determine the amount of current allowed to flow, which in turn determines the voltage developed across R 1517.

FAN MOTOR CIRCUIT

General

The fan motor used in the 475 is a brushless DC fan motor using Hall Effect devices. The fan motor circuitry varies the rotational speed of the fan with variations in operating temperature. When the ambient temperature increases, the value of thermistor RT1696 reduces. This biases Q1698 on harder to conduct more current through the Hall devices. Higher currents through the Hall devices causes the potential difference across them (for instance between pins 6 and 8 of the fan) to increase. This potential difference biases one of a pair of transistors on and the other off. For instance, if pin 8 is more positive than pin 6 of the fan, Q1690A will be on and Q1690B will be off. The higher the potential difference between pin 8 and pin 6 the harder the on transistor will be conducting. The harder the transistor is conducting, the faster the fan rotates.

MAINTENANCE

Cabinet Removal

WARNING

Dangerous potentials exist at several points throughout this instrument. When the instrument is operated with the cover removed, do not touch exposed connations or components. Some transistors may have elevated cases. Disconnect power before cleaning the instrument or replacing parts.

The instrument wrap-around cabinet can be removed in the following manner:

1. Unwrap the power cord from the instrument feet.
2. Remove the six screws indicated in Fig. 4-1 and remove tie instrument feet and rear ring assembly from the instrument.
3. Slide the wrap-around cabinet to the rear and remove the oscilloscope.

To replace the instrument in its wrap-around cabinet, reverse the removal procedure. The portable wrap-around cabinet should be installed with the carrying handle pivot points positioned toward the bottom of the instrument.

PREVENTIVE MAINTENANCE

General

Preventive maintenance consists primarily of cleaning and visual inspection. When performed on a regular basis, preventive maintenance can prevent instrument breakdown

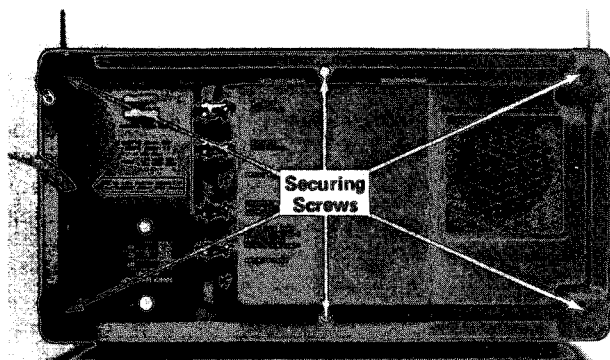


Fig. 4-1. Removing wrap-around cabinet.

and will improve the reliability of this instrument. The severity of the environment to which the 475 is subjected will determine the frequency of maintenance. A convenient time to perform preventive maintenance is just prior to recalibration of the instrument.

Cleaning

General. The 475 should be cleaned as often as operating conditions require. Accumulation of dirt in the instrument can cause overheating and component breakdown. Dirt on components acts as an insulating blanket and prevents efficient heat dissipation. It also provides an electrical conduction path which can result in instrument failure.

The cabinet provides protection against dust in the interior of the instrument. operation without the cabinet in place necessitates more frequent cleaning. The front cover provides a measure of dust protection for the front panel and the CRT face. The front cover should be installed when storing or transporting the instrument.

CAUTION

Avoid the use of chemical cleaning agents which might damage the plastics used in this instrument. Avoid chemicals which contain benzene, toluene, xylene, acetone or similar solvents. Recommended cleaning agents are isopropyl alcohol or Kelite (1 part Kelite, 20 parts water).

Switch Contacts. Most of the switching in the 475 is accomplished with circuit-board mounted, cam-actuated contacts. Care must be exercised to preserve the high-frequency characteristics of these switches. Seldom is switch maintenance necessary, but if it is required, observe the following precautions.

Cleaning the switch contacts should only be done using isopropyl alcohol or a solution of one part Kelite to 20 parts water. In the absence of these cleaners it is safe to use petroleum ether, white kerosene, or a solution of 1% Joy detergent and 99% water. Do not use acetone, MEK, MIBK, benzol, toluol, carbon tetrachloride, trichlor, trichlene, methyl alcohol, methylene chloride, sulfuric acid, or Freon TC-TE-TF-22-TA-12.

Most spray circuit coolants and contact cleaners contain Freon 12 as a propellant. Because many Freons adversely affect the contacts, check the contents before using a spray cleaner or coolant. No Noise (Electronic Chemical) is an acceptable contact cleaner-restorer. The only recommended circuit coolants are dry ice or isopropyl alcohol. There are three recommended switch lubricants. They are Silicone Versilube (General Electric Co.), Rykon R (Standard Oil), and WD-40 (Rocket Chemical Co.).

Exterior. Loose dust accumulated on the outside of the 475 can be removed with a soft cloth or small paint brush. The paint brush is particularly useful for dislodging dirt on and around the front-panel controls. Dirt which remains can be removed with a soft cloth dampened in a mild detergent and water solution. Abrasive cleaners should not be used.

CRT. Clean the blue and clear plastic light filters and the CRT face with a soft, lint-free cloth dampened with denatured alcohol or a mild detergent and water solution. The optional CRT mesh filter can be cleaned in the following manner.

1. Hold the filter in a vertical position and brush lightly with a soft No. 7 watercolor brush to remove light coatings of dust and lint.
2. Greasy residues or dried-on dirt can be removed with a solution of warm water and a neutral pH liquid detergent. Use the brush to lightly scrub the filter.
3. Rinse the filter thoroughly in clean water and allow to air dry.
4. If any lint or dirt remains, use clean low-pressure air to remove. Do not use tweezers or other hard cleaning tools on the filter as the special finish may be damaged.
5. When not in use, store the mesh filter in a lint-free dust-proof container such as a plastic bag.

Interior. Dust in the interior of the instrument should be removed occasionally due to its electrical conductivity under high-humidity conditions. The best way to clean the interior is to blow off the accumulated dust with dry, low-pressure air. Remove any dirt that remains with a soft paint brush or a cloth dampened with a mild detergent and water solution. A cotton-tipped applicator is useful for cleaning in narrow spaces or for cleaning circuit boards.

Lubrication

The fan motor and most of the potentiometers used in the 475 are permanently sealed and generally do not require periodic lubrication. The switches used in the 475, both cam- and lever-type, are installed with proper lubrication applied where necessary and will only rarely require any additional lubrication. It is recommended that a regular periodic lubrication program not be performed on any of the components used in the 475.

Transistor Checks

Periodic checks of the transistors and other semiconductor in the 475 are not recommended. The best check of semiconductor performance is actual operation in the instrument.

Recalibration

To assure accurate measurements, check the calibration of this instrument after each 1000 hours of operation or every six months if used infrequently. In addition, replacement of components may necessitate recalibration of the affected circuits. Complete calibration instructions are given in the Calibration section.

The calibration procedure can also be helpful in localizing certain troubles in the instrument. In some cases, minor troubles may be revealed or corrected by recalibration.

CORRECTIVE MAINTENANCE

General

Corrective maintenance consists of component replacement and instrument repair. Special techniques required to replace components in this instrument are given here.

Obtaining Replacement Parts

Standard Parts. All electrical and mechanical part replacements for the 475 can be obtained through your local TEKTRONIX Field Office or representative. However, many of the standard electronic components can be obtained locally in less time than is required to order them from Tektronix, Inc. Before purchasing or ordering replacement parts, check the parts list for value, tolerance, rating, and description.

NOTE

When selecting replacement parts, it is important to remember that the physical size and shape of a component may affect its performance in the instru-

ment, particularly at high frequencies. All replacement parts should be direct replacements unless it is known that a different component will not adversely affect instrument performance.

Special Parts. In addition to the standard electronic components, some special components are used in the 475. These components are manufactured or selected by Tektronix, Inc. to meet specific performance requirements, or are manufactured for Tektronix, Inc. in accordance with our specifications. These special components are indicated in the Electrical Parts List by an asterisk preceding the part number. Most of the mechanical parts used in this instrument have been manufactured by Tektronix, Inc. Order all special parts directly from your local TEKTRONIX Field Office or representative.

Ordering Parts. When ordering replacement parts from Tektronix, Inc., it is imperative that all of the following information be included in the order to ensure receiving the proper parts.

1. Instrument type.
2. Instrument serial number.
3. A description of the part (if electrical, include the circuit number).
4. TEKTRONIX Part number.

Soldering Techniques

WARNING

Always disconnect the instrument from the power source before attempting to solder in the instrument.

Ordinary 60/40 solder and a 35- to 40-watt pencil-type soldering iron can be used to accomplish the majority of the soldering to be done in the 475. If a higher wattage-rated soldering iron is used on the etched circuit boards, excessive heat can cause the etched circuit wiring to separate from the board base material.

CAUTION

The Vertical Preamplifier Attenuator circuit boards are made of material easily damaged by excessive heat. When soldering to these boards, do not use a soldering iron with a rating of more than approxi-

mately 15 watts. Avoid prolonged applications of heat to circuit-board connections. Use only isopropyl alcohol when cleaning this circuit board.

When soldering to the ceramic strips in the instrument a slightly larger soldering iron can be used. It is recommended that a solder containing about 3% silver be used when soldering to these strips to avoid destroying the bond to the ceramic material. This bond can be broken by repeated use of ordinary tin-lead solder or by the application of too much heat; however, occasional use of ordinary solder will not break the bond if excessive heat is not applied.

If it becomes necessary to solder in the general area of any of the high-frequency contacts in the instrument, clean the contacts immediately upon completion of the soldering. Refer to the section entitled Switch Contacts under PREVENTIVE MAINTENANCE for recommended cleaners and procedures.

Component Replacement

WARNING

Always disconnect the instrument from the power source before attempting to replace components.

Circuit Board Replacement. Occasionally it may be necessary to gain access to the reverse side of a circuit board or to remove one circuit board to gain access to another. The following procedures outline the necessary steps to facilitate instrument disassembly. Most of the connections to the circuit boards in the instrument are made with pin connectors. However, some connections are soldered to the board. Observe the soldering precautions given under Soldering Techniques given in this section.

Vertical Preamp Circuit Board Removal

1. Unplug the delay line from the Vertical Preamp circuit board.
2. Unplug the six coaxial cables and one wire from the front side of the Vertical Preamp circuit board. Note wire color codes to facilitate correct reinstallation.
3. Unplug the two coaxial cables from the back side of the Vertical Preamp circuit board. Note wire color codes to facilitate correct reinstallation.
4. Unplug a 6-wire, a 7-wire, and a 10-wire ribbon cable from the Vertical Mode Switch circuit board.

5. Remove the shafts from the vertical POSITION potentiometers on the Vertical Preamp circuit board. Loosen the front setscrew in the couplers and pull the shafts out through the front panel.

6. Remove the attenuator shields.

7. Unsolder the two resistors that connect the Vertical Preamp circuit board to the Attenuator circuit boards.

8. Unsolder the two discaps that connect between the Vertical Preamp circuit board and the Interface circuit board.

9. Remove the actuator shaft from the 20 MHz BW/TRIG VIEW switch. Loosen the setscrew and remove the shaft through the front panel.

10. Remove the six securing screws from the Vertical Preamp circuit board and remove the board from the instrument

To reinstall the Vertical Preamp circuit board, reverse the order of the removal steps.

Vertical Mode Switch Circuit Board Removal

1. Remove the Vertical Preamp circuit board as outlined previously.

2. Remove the two UNCAL light lenses. Pry them away from the front panel with a fingernail and pull them straight out.

3. Remove the knobs from both VAR controls and both VOLTS/DIV switches.

4. Remove the knobs from the Input Coupling switches. They can be removed by pulling them off by hand.

5. Unplug the ribbon cables from the Vertical Mode Switch circuit board that run to the VOLTS/DIV sensitivity lights.

6. Unplug all remaining connectors from the Vertical Mode Switch circuit board. Note wire color codes to facilitate correct reinstallation.

7. Remove the two securing screws from the rear of the Vertical Mode Switch circuit board.

8. Remove the four nuts that secure the attenuator assemblies to the front casting.

9. Remove the Vertical Mode Switch circuit board from the instrument.

To reinstall the Vertical Mode Switch circuit board, reverse the order of the removal steps. To align the VERT MODE switch pushbuttons, hold the assembly in place with a slight forward pressure and use a small tool to reach through the front panel to align the buttons. Install the remaining parts in the reverse order they were removed. Do not tighten the circuit board securing screws until the securing nuts at the front of the attenuator chassis are tight and the circuit board is aligned properly.

Trigger Generator And Sweep Logic Circuit Board Removal

1. Remove the LOW LINE, TRIG, and READY light lenses. Pry them away from the front panel with a fingernail and pull them straight out.

2. Disconnect the six coaxial cables, single wire, and two four-wire ribbon cables from the front- of the Trigger Generator And Sweep Logic circuit board. Note wire color codes to facilitate correct reinstallation.

3. Disconnect the two coaxial cables and a five-wire ribbon cable from the back side of the Trigger Generator And Sweep Logic circuit board. Note wire color codes to facilitate correct reinstallation.

4. Remove the actuator shaft from the POWER switch coupler. Use a small flat-bladed screwdriver and exercise caution so as not to damage the switch coupler.

5. Remove the POWER switch mounting bracket from the Trigger Generator And Sweep Logic circuit board.

6. Unsolder the resistors from the External Trigger Input connectors.

7. Remove the five board securing screws and remove the circuit board from the instrument.

To reinstall the Trigger Generator And Sweep Logic circuit board, reverse the order of the removal steps.

Sweep Timing Circuit Board Removal

1. Remove the Trigger Generator And sweep Logic circuit board as outlined previously.
2. Remove the X10 MAG and UNCAL light lenses. Pry them away from the front panel with a fingernail and pull them straight out.
3. Remove the knobs from the VAR TIME/DIV control and the A AND B TIME/DIV switches. Be careful not to lose the plastic bushing behind the knobs.
4. Remove the board mounting screw and the hex rod from the Sweep Timing circuit board.
5. Remove the Sweep Timing circuit board from the instrument. Use caution so as not to damage the connector pins.

To reinstall the sweep Timing board, reverse the order of the removal steps.

Power Transformer Replacement. If the power transformer becomes defective, be sure to replace only with a direct replacement TEKTRONIX transformer. After the transformer is replaced check the performance of the complete instrument. The transformer is removed as follows:

1. Unsolder the power cord leads.
2. Remove the small blue panel from the rear of the instrument. It will be necessary to remove the cover from the Regulating Range Selector Assembly and the two feet from that side of the instrument.
3. Unsolder the transformer leads from the Interface Board and from the Regulating Range Selector Assembly. Note the wire color codes to facilitate correct reinstallation.
4. Remove the actuating shaft from the POWER switch coupler. Exercise caution so as not to damage the switch Coupler.
5. Remove the POWER switch mounting bracket from the Trigger Board.
6. Remove the transformer leads from the Regulating Range Selector Assembly. It will be necessary to use a special pin removing tool available under TEKTRONIX Part Number 003-0707-00. It is only necessary to use this tool to remove the transformer leads from the Selector Assembly. The leads may be reinstalled by simply pushing them into place. Note wire color codes to facilitate correct reinstallation.

7. Remove the transformer bracket mounting hardware. This includes two screws on the Trigger Board, one screw on the Interface Board, two nuts on the U-channel (one on the transformer side and one on the CRT side), and two screws and nuts on the rear subpanel.

8. Thoroughly loosen the Trigger Board and remove the transformer assembly from the instrument.

9. Remove the thermal cutout and POWER switch from the old transformer and install on the new transformer. Note wire color codes to facilitate correct installation.

10. Install the new transformer assembly in the instrument, reversing the order of the removal steps.

Recalibration After Repair

After any electrical component has been replaced, the calibration of that particular circuit should be checked, as well as the calibration of other closely related circuits. Since the power supply affects all circuits, calibration of the entire instrument should be checked if work has been done in the power supply or if the transformer has been replaced.

Instrument Repackaging

If the Tektronix instrument is to be shipped to a Tektronix Service Center for service or repair, attach a tag showing: owner (with address) and the name of an individual at your firm that can be contacted, complete instrument serial number and a description of the service required.

Save and re-use the package in which your instrument was shipped. If the original packaging is unfit for use or not available, repackage the instrument as follows:

1. Obtain a carton of corrugated cardboard having inside dimensions of no less than six inches more than the instrument dimensions; this will allow for cushioning. Refer to the following table for carton test strength requirements.
2. Surround the instrument with polyethylene sheeting to protect the finish of the instrument.
3. Cushion the instrument on all sides by tightly packing dunnage or urethane foam between carton and instrument, allowing three inches on all sides.
4. Seal carton with shipping tape or industrial stapler.

SHIPPING CARTON TEST STRENGTH

Gross Weight (lb)	Carton Test Strength (lb)
0-10	200
10-30	275
30-120	375
120-140	500
140-160	600

CALIBRATION

Calibration Interval

To assure instrument accuracy, check the calibration of the 475 every 1000 hours of operation, or every six months if used infrequently. Before complete calibration, thoroughly clean and inspect this instrument as outlined in the Maintenance section of the manual.

Tektronix Field Service

Tektronix, Inc. provides complete instrument repair and recalibration at local Field Service Centers and the Factory Service Center. Contact your local Tektronix Field Office or representative for further information.

Using This Procedure

Outline. To aid in locating a step in the Performance Check or Calibration Procedure, an outline is given preceding Part I—Performance Check and Part III—Calibration procedure.

Performance Check. The performance of this instrument can be checked without removing the covers or making internal adjustments, by performing only Part I—Performance Check. This procedure does not check every facet of the instrument's calibration; rather it is concerned primarily with those portions of the instrument essential to measurement accuracy and correct operation.

Short-Form Calibration. A short-form calibration procedure is provided to the technician experienced with the 475 as guidelines for calibration of this instrument, in Part II—Short-Form Calibration.

Calibration Procedure. Completion of each step in Part III—calibration procedure, ensures that this instrument meets the electrical specifications given in the front of this manual. Where possible, instrument performance is checked before an adjustment is made. For best overall instrument performance when performing a complete calibration procedure, make each adjustment to the exact setting, even if the CHECK— is within the allowable tolerance.

Partial Procedures. A partial check or adjustment is often desirable after replacing components or to touch up the adjustment of a portion of the instrument between major recalibrations. To check or adjust only part of the instrument, set the controls as given under the nearest Control Settings and use the Equipment Required list preceding the desired portion of the step. To prevent unnecessary recalibration of other parts of the instrument, readjust only if the tolerance given in the CHECK— part of the step is not met. If readjustment is necessary, also check

the calibration of any steps listed in the INTERACTION— part of the step.

TEST EQUIPMENT REQUIRED

General

The following test equipment and accessories, or its equivalent, is required for complete calibration of the 475. Specifications given for the test equipment are the minimum necessary for accurate calibration. Therefore, some of the specifications listed here may differ from the actual performance capabilities of the test equipment. All test equipment is assumed to be correctly calibrated and operating within the listed specifications. Detailed operating instructions for the test equipment are not given in this procedure. Refer to the instruction manual for the test equipment if more information is needed.

If only a Performance Check procedure or a Calibration procedure is performed, not all of the listed test equipment will be required. Items used only for the Calibration procedures are indicated by footnote 1. The remaining pieces of equipment are items common to both a Performance Check procedure and a Calibration procedure.

Special Calibration Fixtures

Special Tektronix calibration fixtures are used only where they facilitate instrument calibration. These special calibration fixtures are available from Tektronix, Inc. Order by part number through your local Tektronix Field Office or representative.

Calibration Equipment Alternatives

All of the listed test equipment is required to completely check and calibrate this instrument. However, complete checking or calibration may not always be necessary or desirable. The user may be satisfied with checking only selected characteristics, thereby reducing the amount of test equipment actually required.

The Performance Check and Calibration Procedures are based on the first item of equipment given as an example of applicable equipment. When other equipment is substituted, control settings or calibration setup may need to be altered to meet the requirements of the substitute equipment. If the exact item of test equipment given as an example in the Test Equipment list is not available, first check the Specifications column carefully to see if any other equipment is available which might suffice. Then check the Usage column to see what this item is used for. If used for a check or adjustment that is of little or no importance to your measurement requirements, the item and corresponding step(s) can be deleted.

TABLE 5-1
Test Equipment

Description	Minimum Specifications	Usage	Examples
1. Variable Autotransformer ¹	Capable of supplying 1.2 amperes over a range of 103.5 to 126.5 volts.	Power supply adjustment.	a. General Radio W10MT3W Variac Autotransformer.
2. Precision DC Voltmeter ¹	Range, zero to 150 volts; accuracy, within 0.05%.	Low voltage power supply check and adjustment.	a. Fluke Model 825A Differential DC Voltmeter.
3. DC Voltmeter (VOM) ¹	Range, zero to 2500 volts; accuracy, within 3%.	High Voltage check and adjustment.	a. Triplett Model 630-NA. b. Simpson Model 262.
4. Test Oscilloscope ¹	Bandwidth, DC to 100 megahertz; minimum deflection factor, five millivolts/division; accuracy, within 3%.	Power supply checks; Z-Axis compensation; Vertical gain adjustments; A Trigger Hold-off check; High-speed timing adjustment; A and B +Gate checks.	a. Tektronix 454A Oscilloscope with two P6054 probes and one P6022 probe.
5. Standard Amplitude Calibrator	Amplitude accuracy, within 0.25%; signal amplitude, five millivolts to 50 volts; output signal, one-kilohertz square wave and positive DC voltage.	Vertical deflection system checks; Trigger View deflection factor adjustment; X-Gain adjustment.	a. Tektronix calibration fixture Part Number 067-0502-01.
6. High-Frequency Constant-Amplitude Signal Generator	Frequency, 65 megahertz to above 200 megahertz; reference frequency, three megahertz; output amplitude, variable from 0.5 volt to 4 volts; amplitude accuracy, within 1%.	Vertical system bandwidth checks.	a. Tektronix calibration fixture Part Number 067-0532-01.
7. Medium-Frequency Constant-Amplitude Signal Generator	Frequency, 350 kilohertz to 50 megahertz; reference frequency 50 kilohertz; output amplitude, variable from five millivolts to 5 volts into 50 ohms or 10 volts unterminated; amplitude accuracy, within 3%.	Vertical system bandwidth and trigger circuits operation checks. X-Y phasing adjustment and EXT Z-AXIS operation check.	a. Tektronix Type 191 Constant-Amplitude Signal Generator. b. General Radio 1211-C with 1263-C Amplitude Regulating Power Supply.
8. Fast-Rise High-Amplitude Pulse Generator ¹	Risetime, 0.25 nanosecond or less; repetition rate, 550 to 720 pulses/second; amplitude, variable from 20 millivolts to 10 volts.	Vertical deflection system checks.	a. Tektronix Type 109 Pulse Generator.

¹Used for calibration procedure only.

TABLE 5-1 (cont)

Description	Minimum Specifications	Usage	Examples
9. Square-Wave Generator ¹	Frequency, 10 hertz to one megahertz; risetime, one nanosecond or less from fast-rise output; output amplitude, about 120 volts un-terminated or 12 volts into 50 ohms.	Vertical deflection system compensation checks.	a. Tektronix Type 106 Square-Wave Generator.
10. Low-Frequency Sine-Wave Generator ¹	Frequency, 10 hertz to 100 kilohertz; output amplitude, variable from 0.5 volt to 40 volts peak-to-peak; amplitude accuracy, within 3%.	Low frequency triggering checks.	a. General Radio 1310-A Oscillator.
11. Time-Mark Generator	Marker outputs, two nanoseconds to 0.5 second; marker accuracy, within 0.1%.	CRT geometry; Horizontal deflection system timing checks and adjustments.	a. Tektronix 2901 Time-Mark Generator. b. Tektronix 184 Time-Mark Generator.
12. Signal Insertion ¹	Connectors, GR874 input connector and output connectors to fit input jacks of the 475 delay line.	Vertical output amplifier frequency response adjustment.	a. Tektronix calibration fixture Part Number 067-0676-00.
13. Signal Pickoff	Connectors, GR874 thru-signal connectors and BNC signal-pickoff connector.	Trigger system checks and adjustments.	a. Tektronix Part Number 017-0061-00.
14. Cable	Impedance, 50 ohms; type RG 213; electrical length, five nanoseconds; connectors, GR874.	Used for signal inter-connection.	a. Tektronix Part Number 017-0502-00.
15. Adapter	BNC female connector to GR connector.	Used for signal inter-connection.	a. Tektronix Part Number 017-0063-00.
16. Cable (two required)	Impedance, 50 ohms; type RG-58/U; length, 42 inches; connectors, BNC.	Used for signal inter-connection.	a. Tektronix Part Number 012-0057-01.
17. Cable (two required)	Impedance, 50 ohms; type RG-58/U; length, 18 inches; connectors, BNC.	Used for signal inter-connection.	a. Tektronix Part Number 012-0076-00.
18. Attenuator	Attenuation ratio, X10; connectors, BNC; impedance, 50 ohms.	Vertical amplifier compensation and trigger checks and adjustments.	a. Tektronix Part Number 011-0059-01.
19. Attenuator	Attenuation ratio, X2; connectors, BNC; impedance, 50 ohms.	Trigger checks and adjustments.	a. Tektronix Part Number 011-0069-01.

TABLE 5-1 (cont)

Description	Minimum Specifications	Usage	Examples
20. Attenuator (two required) ¹	Attenuation ratio, X10; connectors, GR; impedance, 50 ohms.	Vertical system frequency response adjustments.	a. Tektronix Part Number 017-0078-00.
21. Attenuator ¹	Attenuation ratio, X5; connectors, GR; impedance, 50 ohms.	Vertical system frequency response adjustments.	a. Tektronix Part Number 017-0079-00.
22. Termination (two required)	Impedance, 50 ohms; accuracy, within 3%; connectors, BNC.	Vertical amplifier bandwidth check; trigger circuit operation checks and adjustments.	a. Tektronix Part Number 011-0049-01.
23. T-Connector ¹	Connectors, BNC.	Used for signal interconnection.	a. Tektronix Part Number 103-0030-00.
24. Input Normalizer ¹	RC time constant, 20 picofarads times 1 megohm.	Standardize input RC time constant.	a. Tektronix Part Number 067-0538-00.
25. Dual-Input Coupler (two required)	Connectors, BNC; matched signal transfer to each input.	Used for signal interconnection.	a. Tektronix calibration fixture Part Number 067-0525-00.
26. Screwdriver ¹	Three-inch shaft; 3/32-inch bit.	Used throughout procedure to adjust variable resistors.	a. Tektronix Part Number 003-0192-00.
27. Low-Capacitance Screwdriver ¹	1 1/2-inch shaft.	Used throughout procedure to adjust variable capacitors.	a. Tektronix Part Number 003-0000-00.

PRELIMINARY CONTROL SETTINGS

Preset the instrument controls to the settings given below when starting a Performance Check or a Calibration procedure.

Power Controls

POWER ON

CRT Controls

INTENSITY Midrange
 FOCUS Midrange
 SCALE ILLUM Midrange
 BEAM FIND Off (button out)

Vertical Controls (both Channels if applicable)

VOLTS/D IV 5 mV
 VAR Calibrated detent
 POSITION Midrange
 AC-GND-DC DC

VERT MODE

INVERT
 20 MHz BW (PULL)

CH 1

Off (button out)
 off

Triggering Controls (both A and B if applicable)

LEVEL Fully clockwise
 SLOPE +
 COUPLING AC
 SOURCE NORM
 TRIG MODE AUTO

Sweep Controls

HORIZ DISPLAY A
 DELAY TIME POSITION Fully counterclockwise
 A TIME/DIV 1 ms
 B TIME/DIV
 VAR Calibrated detent
 X10 MAG Off (button out)
 POSITION Midrange
 FINE Midrange
 A TRIG HOLDOFF

PART I-PERFORMANCE CHECK

Introduction

The following procedure is intended to be used for incoming inspection to determine the acceptability of newly purchased or recently recalibrated instruments. This procedure does not check every facet of the instrument's calibration; rather it is concerned primarily with those portions of the instrument which are essential to measurement accuracy and correct operation. Removing the instrument dust cover is not necessary to perform this procedure. All checks are made from the front panel.

Outline for Part I-Performance Check

VERTICAL SYSTEM CHECK

1. Check Beam Finder Operation	Page 5-6
2. Check Channel 1 and 2 Gain Switch Balance	Page 5-6
3. Check Channel 1 and 2 Variable Volts/ Division Balance	Page 5-6
4. Check Channel 2 Inverted Balance	Page 5-7
5. Check Channel 1 and 2 Position Range	Page 5-7
6. Check Channel 1 and 2 Gain	Page 5-7
7. Check Add Mode Operation	Page 5-7
8. Check Channel 1 and 2 Deflection Accuracy	Page 5-7
9. Check Channel 1 and 2 Variable Volts/ Division Range	Page 5-8
10. Check Alternate Mode Operation	Page 5-8
11. Check Chop Mode Operation	Page 5-8
12. Check Vertical Amplifier Bandwidth	Page 5-8
13. Check Cascaded Bandwidth	Page 5-9

TRIGGER SYSTEM CHECK

14. Check A Triggering	Page 5-9
15. Check B Triggering	Page 5-10
16. Check A Normal Mode Operation	Page 5-10
17. Check Single Sweep Operation	Page 5-11
18. Check Trigger View Operation	Page 5-11

HORIZONTAL SYSTEM CHECK

19. Check Variable Time/Division Range	Page 5-11
20. Check Timing Accuracy	Page 5-12
21. Check Delay Time Accuracy	Page 5-12
22. Check Delay Time Jitter	Page 5-13
23. Check Mixed Sweep Timing Accuracy	Page 5-13
24. Check X Gain	Page 5-13
25. Check X-Y Phasing and Bandwidth	Page 5-13

Preliminary Procedure for Performance Check

NOTE

The performance of this instrument can be checked at any temperature within the 0°C to +40°C (+32°F to +104°F) temperature range unless stated otherwise.

1. Connect the 475 to a power source that meets the voltage and frequency requirements of this instrument.
2. Set the controls as given under Preliminary Control Settings.
3. Allow at least 20 minutes warmup before proceeding.

VERTICAL SYSTEM CHECK

Equipment Required	
1. Standard Amplitude Calibrator (067-0502-01).	4. GR to BNC Female Adapter.
2. High-Frequency Constant-Amplitude Signal Generator (067-0532-01).	5. 42-inch 50Ω BNC cable (two).
3. Medium-Frequency Constant-Amplitude Signal Generator (Type 191).	6. X10 BNC Attenuator.
	7. 50 Ω BNC Termination (two).
	8. Dual Input Coupler.

Control Settings

Preset instrument controls to the settings given under Preliminary Control Settings.

1. Check Beam Finder Operation

- a. Position the trace off screen with the CH 1 and horizontal POSITION controls.
- b. Push the BEAM FIND button and hold it in.
- c. CHECK—That the trace is compressed and brought into the CRT viewing area.
- d. Release the BEAM FIND button.

2. Check Channel 1 and 2 Gain Switch Balance

- a. Set both VOLTS/DIV switches to 2 mV and both AC-GND-DC switches to GND.
- b. Position the trace to the center horizontal line with the CH 1 POSITION control.
- c. CHECK—CRT display for minimum trace shift between 2 mV and 5 mV positions of the CH 1 VOLTS/DIV switch.
- d. Set the VERT MODE switch to CH 2.
- e. Position the trace to the center horizontal line with the CH 2 POSITION control.

f. CHECK—CRT display for minimum trace shift between 2 mV and 5 mV positions of the CH 2 VOLTS/DIV switch.

3. Check Channel 1 and 2 Variable Volt/Division Balance

- a. Position the trace to the center horizontal line with the CH 2 POSITION control.
- b. Rotate the CH 2 VAR control through its range.
- c. CHECK—That the CH 2 UNCAL light comes on when the VAR control is out of the detent position.
- d. CHECK—CRT display for 2 divisions or less of vertical trace shift when rotating the CH 2 VAR control through its range.
- e. Set the VERT MODE switch to CH 1.
- f. Position the trace to the center horizontal line with the CH-1 POSITION control.
- g. Rotate the CH 1 VAR control through its range.
- h. CHECK—That the CH 1 UNCAL light comes on when the VAR control is out of the detent position.
- i. CHECK—CRT display for 2 divisions or less of vertical trace shift when rotating the CH 1 VAR control through its range.
- j. Return both VAR controls to the detent position.

4. Check Channel 2 Inverted Balance

a. Set the VERT MODE switch to CH 2 and the CH 2 AC-GND-DC switch to GND.

b. Position the trace to the center horizontal line with the CH 2 POSITION control.

c. Push the INVERT switch.

d. CHECK-Trace does not vertically shift more than 1 division between the positions of the INVERT switch.

5. Check Channel 1 and 2 Position Range

a. Connect the Standard Amplitude Calibrator output to the CH 1 and CH 2 inputs via a 42-inch 50Ω BNC cable and a dual input coupler.

b. Set both VOLTS/DIV switches to 2 mV and both AC-GND-DC switches to AC.

c. Adjust the standard Amplitude Calibrator for a 50 mV output.

d. CHECK-That the top of the CRT display can be positioned below the center horizontal line, and the bottom of the display can be positioned above the center horizontal line.

e. Set the VERT MODE switch to CH 1.

f. CHECK-That the top of the CRT display can be positioned below the center horizontal line, and the bottom of the display can be positioned above the center horizontal line.

6. Check Channel 1 and 2 Gain

a. Set both VOLTS/DIV switches to 5 mV.

b. Adjust the Standard Amplitude Calibrator for a 20 mV square-wave output.

c. CHECK-CRT display for 4 divisions of deflection, within 0.12 division.

d. Set the VERT MODE switch to CH 2.

e. CHECK-CRT display for 4 divisions of deflection, within 0.12 division.

7. Check Add Mode Operation

a. Set both AC-GND-DC switches to DC.

b. Adjust the Standard Amplitude Calibrator for a 10 mV output.

c. Set the VERT MODE switch to ADD.

d. CHECK-CRT display for 4 divisions, within 0.12 division, of amplitude.

8. Check Channel 1 and 2 Deflection Accuracy

a. Set the VERT MODE switch to CH 1 and the CH 2 AC-GND-DC switch to GND.

b. CHECK-Using the CH 1 VOLTS/DIV switch and the Standard Amplitude Calibrator settings given in Table 5-2, check that the vertical deflection factor is within the given tolerance in each position of the CH 1 VOLTS/DIV switch.

TABLE 5-2
Vertical Deflection Accuracy

VOLTS/ DIV Switch Setting	Standard Amplitude Calibrator Output	Vertical Deflection in Divisions	Maximum Error for 3% Accuracy
2 mV	10 mV	5	Previously set
5 mV	20 mV	4	Previously set
10 mV	50 mV	5	±0.15 div
20 mV	0.1 V	5	±0.15 div
50 mV	0.2 V	4	±0.12 div
0.1 V	0.5 V	5	±0.15 div
0.2 V	1 V	5	±0.15 div
0.5 V	2 V	4	±0.12 div
1 V	5 V	5	±0.15 div
2 V	10 V	5	±0.15 div
5 V	20 V	4	±0.12 div

c. Set the VERT MODE switch to CH 2.

d. Set the CH 1 AC-GND-DC switch to GND and the CH 2 AC-GND-DC switch to DC.

Calibration—475

e. CHECK—Using the CH 2 VOLTS/DIV switch and the Standard Amplitude Calibrator settings given in Table 5-2, check that the vertical deflection factor is within the given tolerance in each position of the CH 2 VOLTS/DIV switch.

9. Check Channel 1 and 2 Variable Volts/Division Range

- Set both VOLTS/DIV switches to 20 mV.
- Adjust the Standard Amplitude Calibrator for a 0.1 volt output.
- Rotate the CH 2 VAR control fully counterclockwise.
- CHECK—CRT display reduces to less than 2 divisions.
- Set the CH 1 AC-G ND-DC switch to DC and the VERT MODE switch to CH 1.
- Rotate the CH 1 VAR control fully counterclockwise.
- CHECK—CRT display reduces to less than 2 divisions.
- Return both VAR controls to the detent positions.
- Disconnect the test setup.

10. Check Alternate Mode Operation

- Set the VERT MODE switch to ALT and the A LEVEL control fully clockwise.
- position the traces 2 divisions apart.
- CHECK—That the sweeps alternate in all settings of the TIME/DIV switch except X-Y.

11. Check Chop Mode Operation

- Set the A TIME/DIV switch to 1 μ s, the A SOURCE switch to NORM, and the VERT MODE switch to CHOP.
- Position the two traces about 4 divisions apart.

c. Adjust the A LEVEL control for a stable display.

d. CHECK—Duration of each cycle is about 1 division.

e. CHECK—CRT display for complete blanking of switching transients between chopped segments (see Fig. 5-1).

12. Check Vertical Amplifier Bandwidth

- Set the TRIG MODE switch to AUTO, the A TIME/DIV switch to 0.2 ms, and both VOLTS/DIV switches to 5 mV.
- Connect the output of the High-Frequency Constant-Amplitude Signal Generator (067-0532-01) to the CH 1 input via a GR-to-BNC adapter, X10 BNC attenuator, and a 50 Ω BNC termination.
- Adjust the High-Frequency signal generator output amplitude for a five-division display of a 3 megahertz reference signal.
- Without changing the output amplitude, increase the output frequency of the signal generator until the display is reduced to 3.5 divisions.
- CHECK—Output frequency of the High-Frequency signal generator must be at least 200 megahertz.
- Move the test signal to the CH 2 input and set the VERT MODE switch to CH 2.

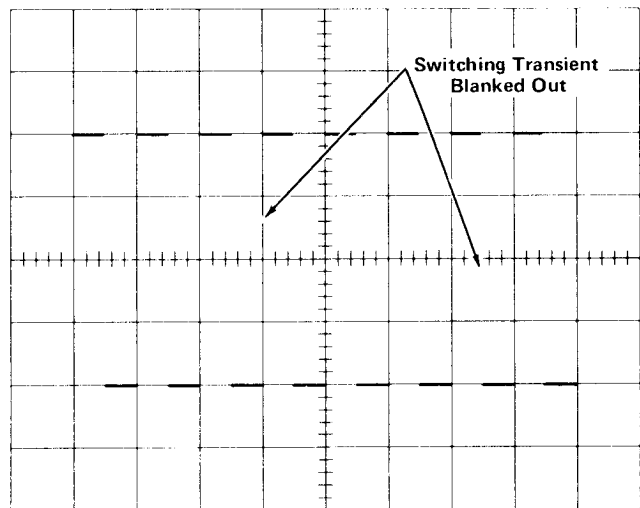


Fig. 5-1. Typical CRT display when checking chopped blanking.

g. Repeat the bandwidth check procedure, step 12-c through 12-e.

h. Disconnect the test setup.

13. Check Cascaded Bandwidth

a. Set both AC-GND-DC switches to DC, the A TIME/DIV switch to 1 ms, and the VERT MODE switch to CH 1.

b. Connect the CH 2 VERT SIGNAL OUT (on the rear panel) to the CH 1 input via a 42-inch 50 Ω BNC cable and a 50Ω BNC termination.

c. Connect the output of the Medium-Frequency Constant-Amplitude Signal Generator (Type 191) to the

CH 2 input via a GR-to-BNC adapter, 42-inch 50Ω BNC cable, X10 BNC attenuator, and a 50Ω BNC termination.

d. Adjust the Medium-Frequency signal generator for a five-division display of a 50 kilohertz signal.

e. Without changing the output amplitude of the signal generator, increase the output frequency until the display is reduced to 3.5 divisions.

f. CHECK-Output frequency of the Medium-Frequency signal generator must be at least 50 megahertz.

g. Disconnect the test setup.

TRIGGER SYSTEM CHECK

Equipment Required	
1. Standard Amplitude Calibrator (067-0502-01).	6. 42-inch 50 Ω BNC Cable.
2. Medium-Frequency Constant-Amplitude Signal Generator (Type 191).	7. 18-inch 50 Ω BNC Cable.
3. 50 Ω Signal Pickoff Unit (Type CT-3).	8. X10 BNC Attenuator.
4. 50 Ω 5 nanosecond GR Cable.	9. X2 BNC Attenuator.
5. GR-to-BNC female Adapter.	10. 50 Ω BNC Termination (two).
	11. Dual Input Coupler (two).

Control Settings

Preset instrument controls to the settings given under Preliminary Control Settings except as follows:

both TIME/DIV **0.05μs**

18-inch 50 Ω BNC cable, a 50 Ω BNC termination, and a dual input coupler.

c. Adjust the Medium-Frequency signal generator to maintain a 0.3-division display of a 50 kilohertz signal.

14. Check A Triggering

a. Connect the output of the Medium-Frequency Constant-Amplitude Signal Generator (Type 191) to the A External Trigger input via a 50 Ω 5 ns GR cable, 50 Ω Signal Pickoff Unit (Type CT-3) thru output, GR-to-BNC adapter, X10 BNC attenuator, X2 BNC attenuator, 50 Ω BNC termination. and a dual input coupler.

b. Connect the 10% BNC output connector of the 50 Ω Signal Pickoff Unit to the CH 1 and CH 2 inputs via an

d. Rotate the A SLOPE switch between + and -.

e. CHECK-A stable display can be obtained on both slopes of the displayed waveform in all positions of the A COUPLING switch by adjusting the A LEVEL control.

f. Set the A SOURCE switch to CH 1.

g. CHECK-Repeat steps 14-d and 14-e.

Calibration-475

h. Set the VERT MODE switch to CH 2 and the A SOURCE switch to CH 2.

i. CHECK-Repeat steps 14-d and 14-e.

j. Set the A SOURCE switch to EXT and the CH 2 VOLTS/DIV switch to 20 mV.

k. Adjust the Medium-Frequency signal generator for a five-division display of a 50 kilohertz signal.

i. CHECK-That a stable display can be obtained, by adjusting the A LEVEL control, in both slopes of the displayed waveform in the AC and DC positions of the A COUPLING switch.

m. Remove the X2 BNC attenuator from the External Trigger signal test setup.

n. CHECK-That a stable display can be obtained, by adjusting the A LEVEL control, in both slopes of the displayed waveform in the HF REJ and LF REJ positions of the A COUPLING switch.

o. Replace the X2 BNC attenuator and set the A SOURCE switch to EXT $\times 10$.

p. Remove the X10 BNC attenuator from the External Trigger test setup.

q. CHECK-Repeat step 14-l through 14-n.

r. Replace both the X10 and X2 BNC attenuators to the External Trigger test setup.

s. Set the A SOURCE switch to NORM.

15. Check B Triggering

a. Move the External Trigger test signal to the B External Trigger input. Set the HORIZ DISPLAY switch to B DLY'D.

b. Adjust the Medium-Frequency signal generator to maintain a 0.3-division display of a 50 kilohertz signal.

c. Rotate the B SLOPE switch between + and -.

d. CHECK-A stable display can be obtained on both slopes of the displayed waveform in all positions of the B COUPLING switch by adjusting the LEVEL controls.

e. Set the B SOURCE switch to CH 2.

f. CHECK-Repeat steps 15-c and 15-d.

g. Set the VERT MODE and B SOURCE switches to CH-1.

h. CHECK--Repeat steps 15-c and 15-d.

i. Set the B SOURCE switch to EXT and the CH 1 VOLTS/DIV to 20 mV.

j. Adjust the Medium-Frequency signal generator for a five-division display of a 50 kilohertz signal.

k. CHECK-That a stable display can be obtained, by adjusting the LEVEL controls, in both slopes of the displayed waveform in the AC and DC positions of the B COUPLING switch.

l. Remove the X2 BNC attenuator from the External Trigger test setup.

m. CHECK-That a stable display can be obtained, by adjusting the LEVEL controls, in both slopes of the displayed waveform in the HF REJ and LF REJ positions of the B COUPLING switch.

16. Check A Normal Mode Operation

a. Set the HORIZ DISPLAY switch to A, the A COUPLING switch to AC, both SOURCE switches to NORM, and the TRIG MODE switch to AUTO.

b. Adjust the Medium-Frequency signal generator for a 50 kilohertz signal.

c. Adjust the A LEVEL control for a triggered display.

d. Switch the TRIG MODE switch to NORM.

e. CHECK-CRT for a stable display.

f. Remove the test signal from the CH 1 input.

g. CHECK-For no display in the absence of an adequate trigger signal.

j. CHECK-That a single-sweep display (one sweep only) is presented.

k. Disconnect the test setup.

17. Check Single Sweep Operation

a. Set the A COUPLING switch to AC and the TRIG MODE switch to AUTO.

b. Reconnect the test signal from the Medium-Frequency signal generator to the CH 1 input.

c. Adjust the A LEVEL control for a triggered display.

d. Remove the test signal from the CH 1 input.

e. Press the SINGL SWP button.

f. CHECK-READY light comes on when SINGL SWP button is pressed and remains on until the test signal is re-applied.

g. Reconnect the test signal to the CH 1 input.

h. CHECK-READY light is extinguished.

i. Press the SINGL SWP button.

18. Check Trigger View Operation

a. Set the CH 1 AC-GND-DC switch to DC, the CH 1 VOLTS/DIV switch to 10 mV, the VERT MODE switch to CH 1, the A COUPLING switch to DC, the A SOURCE switch to EXT, the A SLOPE switch to +, the A LEVEL control to 0, and the TRIG MODE switch to AUTO.

b. Connect the output of the Standard Amplitude Calibrator to the A External Trigger input via a 42-inch 50 Ω BNC cable.

c. Adjust the Standard Amplitude Calibrator for a 200 mV square-wave output.

d. Push the TRIG VIEW button and hold it in.

e. CHECK-For 3.2 to 4.8 divisions of display.

f. Release the TRIG VIEW button.

g. Disconnect the test setup.

HORIZONTAL SYSTEM CHECK

Equipment Required	
1. Standard Amplitude Calibrator (067-0502-01).	4. 42-inch 50 Ω BNC cable.
2. Medium-Frequency Constant-Amplitude Signal Generator (Type 191).	5. 50 Ω BNC Termination.
3. Time-Mark Generator (Type 2901).	6. Dual Input Coupler.

Control Settings

Preset instrument controls to the settings given under preliminary Control Settings except as follows:

- A TIME/DIV 2 ms
- B TIME/DIV 5 μs
- B SOURCE STARTS AFTER DELAY

19. Check Variable Time/Division Range

a. Connect 5 ms time marks to the CH 1 input from the Time-Mark Generator (Type 2901) via a 42-inch 50 Ω BNC cable and a 50 Ω BNC termination.

b. CHECK—At least 1 time marker/division can be obtained by adjusting the VAR TIME/DIV control.

c. CHECK-That the UNCAL light comes on when the VAR TIME/DIV control is out of the detent position.

d. Return the VAR TIME/DIV control to the detent position.

20. Check Timing Accuracy

a. CHECK-Using the A TIME/DIV switch and the Time-Mark Generator settings given in Table 5-3, check that A SWEEP timing is within the given tolerance over entire 10 divisions.

b. CHECK-Using the A TIME/DIV switch, the B TIME/DIV switch and the Time-Mark Generator settings given in Table 5-4, check that delayed sweep accuracy is within the given tolerance. First set the DELAY TIME POSITION dial to 1.00 and rotate the dial until the sweep starts at the top of the second time marker. Note the control setting and then set the dial to 2.00 and rotate it slightly until the sweep starts at the top of the third time marker. The error for intervals less than 1 dial division cannot exceed 0.01 dial division. Continue to rotate the DELAY TIME POSITION dial to check between the 1.00 and 9.00 settings for all A sweep speeds from 0.05 μ s to 0.5 s. The difference between any two time markers greater than 1 dial division apart cannot exceed 1%.

TABLE 5-3

A and B Timing Accuracy

A TIME/ DIV Switch Setting	Time- Mark Generator Output	CRT Display (markers/ divisions)	Accuracy	
			+20° C to +20° C	-15° C to +55° C
0.01 μ s	10 ns	1	1%	3%
0.02 μ s	10 ns	2	1%	3%
0.05 μ s	50 ns	1	1%	3%
0.1 μ s	0.1 μ s	1	1%	3%
0.2 μ s	0.1 μ s	2	1%	3%
0.5 μ s	0.5 μ s	1	1%	3%
1 μ s	1 μ s	1	1%	3%
2 μ s	1 μ s	2	1%	3%
5 μ s	5 μ s	1	1%	3%
10 μ s	10 μ s	1	1%	3%
20 μ s	10 μ s	2	1%	3%
50 μ s	50 μ s	1	1%	3%
0.1 ms	0.1 ms	1	1%	3%
0.2 ms	0.1 ms	2	1%	3%
0.5 ms	0.5 ms	1	1%	3%
1 ms	1 ms	1	1%	3%
2 ms	1 ms	2	1%	3%
5 ms	5 ms	1	1%	3%
10 ms	10 ms	1	2%	3%
20 ms	10 ms	2	2%	3%
50 ms	50 ms	1	2%	3%
0.1 s	0.1 s	1	2%	3%
0.2 s	0.1 s	2	2%	3%
0.5 s	0.5 s	1	2%	3%

21. Check Delay Time Accuracy

a. Set the B SOURCE switch to STARTS AFTER DELAY, the A TIME/DIV switch to 0.05 μ s, the B TIME/DIV switch to 0.01 μ s, and the HORIZ DISPLAY switch to B DLY'D.

NOTE

Sweep will start at the top of the third time marker at 1.00 and at the top of the nineteenth time marker at 9.00 for sweep rates that are multiples of 2 (e.g., 2 μ s, 20 μ s, 0.2 ms, etc.). If in doubt as to the correct setting of the DELAY TIME POSITION dial, set the HORIZ DISPLAY switch to A IN TEN and check which time marker is intensified.

TABLE 5-4

Delayed Sweep Accuracy

A TIME/DIV Switch Setting	B TIME/DIV Switch Setting	Time-Mark Generator Output
0.05 μ s	0.01 μ s	0.05 μ s
0.1 μ s	0.01 μ s	0.1 μ s
0.2 μ s	0.05 μ s	0.1 μ s
0.5 μ s	0.05 μ s	0.5 μ s
1 μ s	0.1 μ s	1 μ s
2 μ s	0.1 μ s	1 μ s
5 μ s	0.1 μ s	5 μ s
10 μ s	1 μ s	10 μ s
20 μ s	1 μ s	10 μ s
50 μ s	1 μ s	50 μ s
0.1 ms	10 μ s	0.1 ms
0.2 ms	10 μ s	0.1 ms
0.5 ms	10 μ s	0.5 ms
1 ms	0.1 ms	1 ms
2 ms	0.1 ms	1 ms
5 ms	0.1 ms	5 ms
10 ms	1 ms	10 ms
20 ms	1 ms	10 ms
50 ms	1 ms	50 ms
0.1 s	10 ms	0.1 s
0.2 s	10 ms	0.1 s
0.5 s	10 ms	0.5 s

22. Check Delay Time Jitter

a. Set the DELAY TIME POSITION dial to 1.00, the HORIZ DISPLAY switch to B DLY'D, the A TIME/DIV switch to 1 ms, and the B TIME/DIV switch to 0.2 μ s.

b. Position the time marker near the center of the display area with the DELAY TIME POSITION dial.

c. CHECK-Jitter on the leading edge of the time marker does not exceed 1 division.

d. Turn the DELAY TIME POSITION dial to 9.00 and adjust it so that the time marker is displayed near the center of the display area.

e. CHECK-Jitter on the leading edge of the time marker does not exceed 1 division.

23. Check Mixed Sweep Timing Accuracy

a. Set the A TIME/DIV switch to 1 ms, the B TIME/DIV switch to 0.5 ms, the HORIZ DISPLAY switch to A, the B SOURCE switch to STARTS AFTER DELAY, and the DELAY TIME POSITION dial fully clockwise.

b. Select 1 ms time marks from the Time-Mark Generator.

c. CHECK-Timing between the second and tenth time markers.

d. Set the HORIZ DISPLAY switch to MIX.

e. CHECK-The timing between second and tenth time markers is within ± 0.3 division.

f. Disconnect the test setup.

NOTE

Exclude first 0.5 division of sweep after display start and first 0.2 division, or 0.1 μ s (whichever is greater) after the transition of A to B.

24. Check X Gain

a. Set the A TIME/DIV switch to X-Y, the VERT MODE switch to CH 2, both VOLTS/DIV switches to 5 mV, and the CH 1 AC-GND-DC switch to DC.

b. Apply a 20 mV square wave from the Standard Amplitude Calibrator to the CH 1 or X input through a 42-inch 50 Ω BNC cable.

c. CHECK-CRT display for 4 divisions of deflection between the two displayed dots.

d. Disconnect the test setup.

25. Check X-Y Phasing and Bandwidth

a. Set both VOLTS/DIV switches to 5 mV and both AC-GND-DC switches to AC.

b. Connect the output of the Medium-Frequency Constant-Amplitude Signal Generator (Type 191) to the CH 1 and CH 2 inputs through a 42-inch 50 Ω BNC cable, 50 Ω BNC termination, and a dual input coupler.

c. Adjust the Medium-Frequency signal generator for an eight-division horizontal display of 50 kilohertz signal.

d. Center the display vertically and horizontally with the CH 1 and CH 2 POSITION controls.

e. CHECK-CRT display for an opening at the center horizontal line of 0.14 division or less.

f. Increase the output frequency of the Medium-Frequency signal generator to 2 megahertz.

g. CHECK-CRT display for an opening at the center horizontal line of 0.42 division or less.

h. Remove the dual input coupler from the test setup.

i. Reconnect the test signal to the CH 1 input.

j. Adjust the signal generator for a four-division horizontal display of 50 kilohertz signal.

k. Increase the output frequency of the signal generator until the display is reduced to 2.8 divisions.

l. CHECK-Output frequency of the signal generator is at least 3 megahertz.

m. Disconnect the test setup.

PART II—SHORT-FORM CALIBRATION

Introduction

The following procedure is intended to be used as guidelines for calibration of the 475 by experienced technicians familiar with the instrument. Only essential information is given. Test Equipment Required is the same as that given for Part III—Calibration

Preliminary Procedure for Short-Form Calibration

NOTE

This instrument should be adjusted at an ambient temperature of $+25^{\circ}\text{C}(\pm 5^{\circ}\text{C})$ for best overall accuracy.

1. Remove the dust cover from the 475.
2. Connect the 475 to the autotransformer and set the line voltage to 115 VAC.
3. Set the controls as given under Preliminary Control Settings (given prior to Part I-Performance Check). Allow at least 20 minutes warmup before proceeding.

NOTE

Titles for external controls of this instrument are capitalized in this procedure (e.g., INTENSITY). Internal adjustment are initial capitalized only (e.g., Grid Bias).

**POWER SUPPLIES and
DISPLAY CALIBRATION**

1. Low Voltage Power Supplies

- a. ADJUST— +50 V supply, R1430, $\pm 0.5\%$.
- b. Check— +110 V supply, $\pm 3\%$.
- c. Check— +15 V supply, $\pm 1.5\%$.
- d. Check— +5 V supply, $\pm 1.5\%$.
- e. Check— -15 V supply, $\pm 1.5\%$.
- f. Check— -8 V supply, $\pm 1.5\%$.

g. Check ripple on supplies (except +1 10 V supply) is 2 mV P-P maximum; +110 V supply ripple is 1 V P-P maximum.

h. Check regulation between 126.5 V and 103.5 V line.

i. Check LOW LINE indicator comes on below 103 VAC.

2. High Voltage Power Supply

-2450 volts, ± 49 volts.

3. Adjust CRT Grid Bias

- a. TRIG MODE to NORM.
- b. Connect DC Voltmeter to TP1364 and adjust INTENSITY for a reading of +15 volts.
- c. ADJUST—CRT Grid Bias, R1375, for dimmest dot.

4. Check Display Controls

- a. ASTIG
- b. SCALE ILLUM
- c. Focus
- d. INTENSITY

5. Adjust Trace Alignment

- a. Connect time markers to CH 1 input.
- b. ADJUST—TRACE ROTATION to align trace with center horizontal line.
- c. ADJUST—Y Axis Alignment, R1385, to align center time marker with the center vertical line.
- d. Check for no more than 0.1 division curvature.

e. ADJUST–Geometry, R1390, for no more than 0.1 division curvature of the time markers.

f. Remove the time markers and check the trace at top and bottom graticule lines: no more than (0.1 division bowing or tilt.

6. Z-Axis Compensation

a. Connect X10 probe from Test Oscilloscope to TP1366.

b. A TIME/DIV to $0.05\ \mu\text{s}$.

c. Connect A +GATE to External Trigger input of Test Oscilloscope.

d. ADJUST–C1353 for optimum square corner on positive step, 1 volt display of signal.

VERTICAL SYSTEM CALIBRATION

7. Adjust Vertical Output Bias

a. Connect a 200 MHz sine wave to CH 1 from the High-Frequency Constant-Amplitude Signal Generator (067-0532-01).

b. ADJUST–Output Bias, R488, for maximum signal deflection.

8. Adjust Vertical Shield Volts

a. Vertically center the trace.

b. Using DC Voltmeter, measure voltage at each CRT vertical deflection plate. Add together and divide by two.

c. Connect DC Voltmeter between TP1395 and ground.

d. ADJUST–Vertical Shield Volts, R1395, for a reading equal to that calculated in step 8-b.

9. Adjust Delay-Line Driver Centering

a. Using DC Voltmeter, monitor the sides of the delay line until readings are equal while adjusting the CH 1 POSITION.

b. ADJUST–Delay-Line Driver Centering, R385 for reading of 0 volts on both sides of the delay line.

10. Check BEAM FIND Operation

11. Adjust CH 1 Switch Balance

a. Vertically center the trace.

b. ADJUST-CH 1 Var Bal, R110, for no more than 2 divisions trace shift when rotating the CH 1 VAR control through its range.

c. ADJUST-CH 1 Gain Switch Bal, R135, for minimum trace shift when switching between 2 mV and 5 mV.

d. Check CH 1 UNCAL light.

12. Check Probe Indicator Lights

a. Connect X10 probe to CH 1 input.

b. Check that the left light goes out and the right comes on.

c. Repeat for CH 2.

13. Check CH 1 and 2 AC-GND-DC Switches

14. Adjust CH 2 Switch Balance

a. Vertically center the trace.

b. ADJUST–CH 2 Var Bal, R210, for no more than 2 divisions trace shift when rotating the CH 2 VAR control through its range.

c. ADJUST–CH 2 Gain Switch Bal, R235, for minimum trace shift when switching between 2 mV and 5 mV.

d. Check CH 2 UNCAL light.

15. Adjust CH 1 and 2 Position Centering

a. Both VOLTS/DIV to 20 mV,
both AC-GND-DC to AC.

Calibration—475

b. Connect a 50 mV signal from the Standard Amplitude Calibrator to the CH 1 input.

c. ADJUST—CH 1 Position Centering, R176, so the top and bottom of the display can be positioned past the center horizontal line.

d. Repeat the above for CH 2 – adjust R276.

16. Adjust CH 2 Invert Balance (R215) and Check Operation

17. Adjust CH 1 Gain

a. CH 1 VOLTS/DIV to 5 mV.

b. Connect 20 mV signal from Standard Amplitude Calibrator to CH 1 input.

c. ADJUST—CH 1 5 mV Gain, R165, for 200 mV push-pull signal between preamp sides of the delay line.

d. CH 1 VOLTS/DIV to 2 mV.

e. ADJUST—CH 1 2 mV Gain, R125, for 100 mV push-pull signal between preamp sides of the delay line.

f. ADJUST—R449 for 5 divisions of deflection.

g. Check all attenuator ranges for proper deflection, within 3%.

h. Check Variable Range: CH 1 VAR control must reduce a 5 division signal to less than 2 divisions.

18. Adjust CH 2 Gain

a. CH 2 VOLTS/DIV to 5 mV.

b. Connect 20 mV signal from Standard Amplitude Calibrator to CH 2 input.

c. ADJUST—CH 2 5 mV Gain, R265, for 4 divisions deflection, within 3%.

d. CH 2 VOLTS/DIV to 2 mV; test signal to 10 mV.

e. ADJUST—CH 2 2 mV Gain, R225, for 5 divisions deflection, within 3%.

f. Check all attenuator ranges for proper deflection, within 3%.

g. Check Variable Range: CH 2 VAR control must reduce a 5 division signal to less than 2 divisions.

19. Check ADD Operation

a. Both VOLTS/DIV to 5 mV,

both AC-G ND-DC to DC.

b. Connect a 10 mV signal from the Standard Amplitude Calibrator to both CH inputs.

c. VERT MODE to ADD.

d. Check for 4 divisions deflection, within 3%.

20. Check Compression and Expansion

a. Position a 2 division signal to top and bottom of graticule.

b. Check for no more than 0.1 division of compression or expansion.

21. Check ALT Operation

22. Check CHOP Operation

a. TIME/DIV to 0.2 μ s,

VERT MODE to CHOP.

b. Check for blanking of transients at normal INTENSITY level.

c. Check duration of each cycle is about 5 divisions.

23. Adjust Vertical Output High-Frequency Response

a. VERT MODE to CH 1.

b. Connect preamp end of delay line to Signal Insertion Unit (067-0676-00).

c. Connect +15 V and -8 V to Signal Insertion Unit.

d. connect 5 divisions, + polarity, from Fast-Rise High-Amplitude Pulse Generator (Type 109) to Signal Insertion Unit via a GR cable, X5 GR attenuator, Signal Pickoff Unit (Type CT-3), and GR-to-BNC adapter.

e. Connect 10% output of Signal Pickoff unit to A External Trigger input via a terminated cable.

f. ADJUST-C450, R450, C466, R466, C470, and R470 for best flat-top waveform.

24. Adjust High-Frequency Compensation

a. VOLTS/DIV to 5 mV,

AC-GND-DC to DC.

b. Adjust for 5 division display of 10 kHz signal from fast-rise output of Square-Wave Generator (Type 106) to CH 1 input.

c. ADJUST-R139 and R475 for no more than 4% aberrations.

d. Adjust Square-Wave Generator for 5 divisions of 100 kHz signal.

e. ADJUST-C471 and C477 for no more than 4% aberrations.

f. Move the test signal to CH 2,

VOLTS/DIV to 5 mV,

AC-GND-DC to DC.

g. Adjust Square-Wave Generator for 5 divisions of 10 kHz signal.

h. ADJUST-R239, R475, C471, and C477 for no more than 4% aberrations.

i. Disconnect Square-Wave Generator.

j. Connect output of Fast-Rise High-Amplitude Pulse Generator (Type 109) to the CH 1 input.

k. Adjust for 5 divisions of deflection.

l. ADJUST-C175, R175, C133, R133, C112, and R112 for no more than 4% aberrations.

m. Move test signal to CH 2.

n. ADJUST-C275, R275, C233, R233, C212, and R212 for no more than 4% aberrations.

25. Adjust VOLTS/DIV Compensation

a. Adjust CH 1 VOLTS/DIV compensation for no more than 2% aberrations. Use a 20 pF normalizer and a 5 division signal.

5 mV	C10 or C50
2 mV	Check
10 mV	C36, C37
20 mV	C34, C35
50 mV	C32, C33
0.1 v	Check
0.2 v	Check
0.5 v	C30, C31

b. Repeat for CH 2.

26. Check Vertical Amplifier Bandwidth

a. Use High-Frequency Constant-Amplitude Signal Generator (067-0532-01): 5 division display of 3 MHz reference signal.

b. At 5 mV setting of both VOLTS/DIV switches, check frequency is at least 200 MHz when display is reduced to 3.5 divisions.

27. Check Cascaded Bandwidth

a. CH 2 VERT SIGNAL OUT to CH 1 input through a terminated cable.

b. Check bandwidth is at least 50 MHz.

28. Check Vertical Channel Isolation

At least 100:1 at 50 MHz.

Calibration-475

29. Check Bandwidth Limit Operation

- a. Connect a 6 division display of a 50 kHz signal to the CH 1 input.
- b. Check frequency is 20 MHz, within 5 MHz, when display is reduced to 4.2 divisions.

TRIGGER SYSTEM CALIBRATION

30. Adjust A and B Trigger Sensitivity

- a. VOLTS/DIV to 0.1 V,
A SOURCE to EXT,
A COUPLING to AC.
- b. Connect the Medium-Frequency Constant-Amplitude Signal Generator (Type 191) to the A and B External Trigger inputs via a 50 Ω 5 ns GR cable, 50 Ω Signal Pickoff Unit, GR-to-BNC adapter, X10 attenuator, 50 Ω termination, and a dual input coupler.
- c. Connect the 10% BNC output of the Signal Pickoff Unit to both channel inputs via a terminated dual input coupler.
- d. ADJUST-A and B Sensitivity, R565, R785, to just obtain a stable display with a 0.35 division, 350 kHz signal.

31. Adjust Trigger Centering and Symmetry

- a. VOLTS/DIV to 50 mV,
SOURCE to NORM,
TIME/DIV to 10 μ s.
- b. Position a 2 division display of 350 kHz signal to the center horizontal line.
- c. ADJUST-B Trigger Symmetry, R547, so trigger point is the same in both slopes.
- d. ADJUST-B Trigger Center, R543, for a triggering point at graticule center.
- e. ADJUST-A Trigger Symmetry, R767, so triggering point is the same in both slopes.

f. ADJUST-A Trigger Center, R754, for triggering point at graticule center.

32. Adjust A Trigger DC Balance

- a. A COUPLING to DC,
A SOURCE to NORM.
A LEVEL to 0.
- b. Use a 0.3 division display.
- c. ADJUST-Normal Trigger DC Balance, R425, to obtain a stable display in both slopes.
- d. Change A SOURCE to CH 1.
- e. ADJUST-CH 1 Trigger DC Balance, R403, to obtain a stable display in both slopes.
- f. VERT MODE to CH 2,
A SOURCE to CH 2.
- g. Check for stable display in both slopes.

33. Check B Trigger DC Balance

- a. B COUPLING to DC,
B SOURCE to NORM,
B LEVEL to 0,
VERT MODE to CH 1.
- b. Use a 0.3 division display.
- c. Check for stable display in both slopes.
- d. Set SOURCE to CH 1 and repeat part c.
- e. Set B SOURCE to CH 2, VERT MODE to CH 2, and repeat part c.

34. Check Triggering

a. High-frequency triggering:

Internal	40 MH	200 MHz
AC	0.3 div	1.5 div
LF REJ	0.3 div	1.5 div
DC	0.3 div	1.5 div
External		
AC	50 mV	250 mV
LF REJ	100 mV	500 mV
DC	50 mV	250 mV

Multiply by 10 for EXT ÷ 10 sensitivity.

b. HF REJ—Triggers on 0.3 division at 50 kHz; does not trigger at 1 MHz.

c. LF REJ—Triggers on 0.3 division at 50 kHz; does not trigger on 60 Hz.

d. Check SINGL SWP operation and READY light.

e. Check A NORM triggering.

f. Check LINE triggering.

g. Check AUTO recovery time.

35. Check External LEVEL Range

a. EXT: at least ±2 V (4 V P-P) for both A and B.

b. EXT ÷ 10: at least ±20 V (40 V P-P) for A only.

36. Adjust TRIG VIEW

a. ADJUST—Trigger View Centering, R673, so trace is at center horizontal line, within 1 division.

b. Connect 200 mV square-wave signal from Standard Amplitude Calibrator to A External Trigger input.

c. Check for 3.2 to 4.8 divisions of display with TRIG VIEW in.

HORIZONTAL SYSTEM CALIBRATION

37. Adjust Delay Start and Delay Stop

a. A TIME/DIV to 1 ms,

B TIME/DIV to 5 μs,

HORIZ DISPLAY to A INTEN,

B SOURCE to STARTS AFTER DELAY,

DELAY TIME POSITION to 1.00.

b. Use 1 ms time markers.

c. ADJUST—Delay Start, R938, to intensify the left side of the 2nd time marker.

d. DELAY TIME POSITION to 9.00.

e. ADJUST—Delay Stop, R936, to intensify the left side of the 10th time marker.

f. HORIZ DISPLAY to B DLY'D.

g. DELAY TIME POSITION to 1.00.

h. ADJUST—Delay Start, R938, so the 2nd time marker starts at the beginning of the sweep.

i. DELAY TIME POSITION to 9.00.

j. ADJUST—Delay Stop, R936, so the 10th time marker starts at the beginning of the sweep.

38. Check Differential Time Accuracy

a. Accuracy within 0.01 division from +15°C to +35°C.

b. Accuracy within 0.02 division from -15°C to +55°C.

39. Adjust Horizontal Gain

a. HORIZ DISPLAY to A,

both TIME/DIV to 1 ms.

b. Use 1 ms time markers.

Calibration—475

c. ADJUST—Horizontal Gain, R1155, for 1 time marker/division, within 1%, from +20°C to +30°C; for 1 time marker/division, within 3%, from –15°C to +55°C.

d. Use 0.1 ms time markers.

e. Push X10 MAG in.

f. Check that the X10 MAG light is on.

g. Check for 1 time marker/division, within 2%, from +20°C to +30°C; for 1 time marker/division, within 4%, from –15°C to +55° C.

40. Adjust Magnifier Registration

a. Use 5 ms time markers.

b. ADJUST—Magnifier Registration, R1130, to position the second time marker to the center vertical line, within 0.4 division, between positions of X10 MAG switch.

41. Check VAR TIME/DIV Range

a. A TIME/DIV to 2 ms.

b. Use 5 ms time markers.

c. Check for 1 time marker/division by rotating the VAR TIME/DIV control.

d. Check UNCAL light.

42. Check Horizontal POSITION Control Range

43. Adjust 10 μ s Timing

a. Both TIME/DIV to 10 μ s.

b. Use 10 μ s time markers.

c. ADJUST—C1064 for 1 time marker/division, within 1%, from +20°C to +30°C; 1 time marker/division, within 3%, from –15°C to +55°C.

d. HORIZ DISPLAY to A INTEN,

B TIME/DIV to 0.01 μ s.

e. ADJUST—C1023 for 1 time marker/division, within 1%, from +20°C to +30°C; 1 time marker/division, within 3%, from –15°C to +55°C.

44. Adjust 0.1 μ s Timing

a. DELAY TIME POSITION to 1.00,

HORIZ DISPLAY to A INTEN,

B TIME/DIV to 0.1 μ s.

b. Use 0.1 μ s time markers.

c. ADJUST—C1025 for 1 time marker/division, within 2%, from +20°C to +30°C; 1 time marker/division, within 3%, from –15°C to +55°C.

d. HORIZ DISPLAY to A,

both TIME/DIV to 0.1 μ s.

e. ADJUST—C1009 for 1 time marker/division, within 1%, from +20°C to +30°C; 1 time marker/division, within 3%, from –15°C to +55°C.

45. Adjust Horizontal Output Centering

a. A TIME/DIV to X-Y,

HORIZ DISPLAY to A.

b. Horizontally center the dot.

c. Adjust the CH 1 POSITION until the voltage on the collector of Q1214 equals that on the collector of Q1204.

d. ADJUST—Horizontal Output Center, R 1256, for +50 V on the collectors of Q1214 and Q1204.

46. Adjust High Speed Timing—Visual Method

a. A TIME/DIV to 0.05 μ s,

X10 MAG pushed in,

A SOURCE to EXT,

A COUPLING to LF REJ.

b. Use 5 nanosecond time markers and 0.1 μs triggers.

c. ADJUST—C1233 and C1253 for 1 cycle/division, within 2%, from +20°C to +30°C; 1 cycle/division, within 4%, from -15°C to +55°C.

d. A TIME/DIV to 0.02 μs .

e. Use 2 nanosecond time markers.

f. ADJUST—C1179 for 1 cycle/division, within 2%, from +20°C to +30°C; 1 cycle/division, within 4%, from -15°C to +55°C.

g. A TIME/DIV to 0.01 μs .

h. ADJUST—R1075 for 1 cycle/2 divisions, within 2%, from +20°C to +30°C; 1 cycle/2 divisions, within 4%, from -15°C to +55°C.

NOTE

If timing cannot be adjusted within 2% from +20°C to +30°C, or 4% from -15°C to +55°C, proceed to step 47. If timing is within given tolerance, proceed to step 48.

47. Adjust High Speed Timing-Current Probe Method

a. A TIME/DIV to 0.05 μs ,

X10 MAG pushed in.

b. Use 5 nanosecond time markers and 0.1 μs triggers.

c. Hook the P6022 current probe, with passive termination, around the crossed horizontal deflection leads on the 475. Connect the P6022 to the test oscilloscope.

d. Set Test Oscilloscope: VOLTS/DIV to 5 mV, TIME/DIV to 0.5 μs X10 MAG engaged.

e. ADJUST—R1175 to midrange, R1185 to midrange, C1233 and C1253 half-closed, and C1179 one turn from fully clockwise.

f. ADJUST—R1175 and R1185 for symmetrical waveform.

g. ADJUST—CI 233 and CI 253 for 1 time marker/division.

h. A TIME/DIV to 0.02 μs .

i. Use 2 nanosecond time markers.

j. Set Test Oscilloscope: VOLTS/DIV to 10 mV, TIME/DIV to 0.2 μs .

k. ADJUST—CI 179 for 1 time marker/division.

l. A TIME/DIV to 0.01 μs .

m. Set Test Oscilloscope: VOLTS/DIV to 20 mV, TIME/DIV to 0.1 μs .

n. ADJUST—R1075 for 1 time marker/2 divisions.

o. ADJUST—R1175 and R1185 for flat-top symmetrical waveform.

48. Check A and B Timing Accuracy

a. From 0.01 μs to 5 ms, at +20°C to +30°C, accuracy is 1%.

b. From 10 ms to 0.5 s, at +20°C to +30°C, accuracy is 2%.

c. From -15°C to +55°C, accuracy of all sweep settings is 3%.

49. Check A INTEN Timing Accuracy

a. From +20°C to +30°C, from 0.05 μs to 0.5 s, accuracy is within 2%.

b. From -15°C to +55°C, from 0.05 μs to 0.5 s, accuracy is within 3%.

50. Check A and B Magnified Timing Accuracy

a. From +20°C to +30°C, from 0.01 μs to 5 ms, accuracy is within 2%.

b. From +20°C to +30°C, from 10 ms to 50 ms, accuracy is within 3%.

Calibration—475

c. From -15°C to $+55^{\circ}\text{C}$, from $0.01\ \mu\text{s}$ to $50\ \text{ms}$, accuracy is within 4%.

d. Exclude the following portions of the sweep, from $0.01\ \mu\text{s}$ to $1\ \mu\text{s}$:

First 25 nanoseconds and all beyond the 100th magnified division.

51. Check Delay Time Accuracy

a. Error for intervals less than 1 dial division cannot exceed 0.01 dial division.

b. Error between any two time markers greater than 1 dial division apart cannot exceed 1%.

52. Check Delay Time Jitter

a. HORIZ DISPLAY to B DLY'D,

A TIME/DIV to $1\ \text{ms}$,

B TIME/DIV to $0.2\ \mu\text{s}$.

b. Check for no more than 1 division jitter.

53. Check MIX Sweep Accuracy

a. Use $1\ \text{ms}$ time markers.

b. Check for proper timing within 0.24 division

NOTE

Exclude first 0.5 division of sweep after display start and first 0.2 division, or $0.1\ \mu\text{s}$ (whichever is greater) after the transition of A to B.

54. Adjust X Gain

a. A TIME/DIV to X-Y,

both VOLTS/DIV to $5\ \text{mV}$,

VERT MODE to CH 2.

b. Apply $20\ \text{mV}$ square wave from Standard Amplitude Calibrator to CH 1 or X input.

c. ADJUST—X Gain, R1102, for 4 divisions of deflection between the dots, within 3%.

55. Check X-Y Phasing and Bandwidth

a. Connect an 8 division display of $50\ \text{kHz}$ signal from Medium-Frequency Constant-Amplitude Signal Generator to the CH 1 and 2 inputs.

b. Check X-Y phase shift is no more than 0.14 division.

c. Increase output frequency of signal generator to $2\ \text{MHz}$.

d. Check X-Y phase shift is no more than 0.42 division.

e. ADJUST—L1103 for minimum phase shift.

f. Check bandwidth is at least $3\ \text{MHz}$.

56. Check B ENDS A Operation

57. Check A TRIG HOLDOFF

Should increase holdoff to nine times the TIME/DIV setting.

CALIBRATOR, + GATES, AND EXT Z-AXIS CALIBRATION

58. Adjust CALIBRATOR Amplitude

a. Short emitter to base of Q1504.

b. Check for $+0.3\ \text{V DC}$, within $3\ \text{mV}$, from CALIBRATOR current loop to ground.

c. ADJUST—R1515 for $+0.3\ \text{V DC}$, within 1% from 0°C to $+40^{\circ}\text{C}$; for $+0.3\ \text{V DC}$, within 1.5% from -15°C to $+55^{\circ}\text{C}$.

d. Remove the short from emitter to base of Q1504.

59. Check A and B +GATES

a. A + GATE: $+5.5\ \text{V P-P}$, within $0.5\ \text{V}$.

b. B + GATE: $+5.5\ \text{V P-P}$, within $0.5\ \text{V}$.

60. Check EXT Z-AXIS Operation

a. Connect $5\ \text{V}$ $50\ \text{kHz}$ signal to CH 1 input and EXT Z-AXIS input.

b. Check for noticeable intensity modulation of the positive peaks.

PART III-CALIBRATION

Introduction

The following procedure returns the 475 to correct calibration. All limits and tolerances given in this procedure are calibration guides and should not be interpreted as instrument specifications except as specified in the Specifications section of this manual. Where possible, instrument performance is checked before an adjustment is made. For best overall instrument performance when performing a complete calibration procedure, make each adjustment to the exact setting even if the CHECK— is within the **allowable tolerance**.

Outline to Part III—Calibration

POWER SUPPLY CALIBRATION

- 1. Check Power Supply DC Levels and Ripple Page 5-25
- 2. Check High Voltage Power Supply Page 5-26

DISPLAY and Z-AXIS CALIBRATION

- 3. Adjust CRT Grid Bias Page 5-26
- 4. Check ASTIG Control Page 5-27
- 5. Check Display Controls Page 5-27
- 6. Adjust Trace Alignment Page 5-27
- 7. Adjust Y-Axis Alignment Page 5-27
- 8. Adjust Geometry Page 5-27
- 9. Adjust Z-Axis Compensation Page 5-28

VERTICAL SYSTEM CALIBRATION

- 10. Adjust Vertical Output Bias Page 5-28
- 11. Adjust Vertical Shield Voltage Page 5-29
- 12. Adjust Delay-Line Driver Centering Page 5-29
- 13. Check BEAM FIND Operation Page 5-29
- 14. **Check Channel 1** Variable Volts/Division Balance Page 5-29
- 15. Adjust Channel 1 Gain Switch Balance Page 5-30
- 16. Check Probe Indicator Lights Page 5-30
- 17. Check AC-GND-DC Switches Page 5-30

- 18. Adjust Channel 1 Position Centering Page 5-31
- 19. Adjust Channel 2 Variable Volts/Division Balance Page 5-31
- 20. Adjust Channel 2 Gain Switch Balance Page 5-31
- 21. Check Channel 2 INVERT Balance Page 5-31
- 22. Adjust Channel 2 Position Centering Page 5-32
- 23. Adjust Channel 1 Gain Page 5-32
- 24. Adjust Channel 2 Gain Page 5-33
- 25. Check Channel 1 and 2 Variable Volts/Division Ranges Page 5-33
- 26. Check ADD Mode Operation Page 5-34
- 27. Check Compression and Expansion Page 5-34
- 28. Check ALT Mode Operation Page 5-34
- 29. Check CHOP Mode Operation Page 5-34
- 30. Adjust Vertical Output Amplifier High-Frequency Response Page 5-34
- 31. Adjust High-Frequency Compensation Page 5-35
- 32. Adjust Channel 2 VOLTS/DIV Compensation Page 5-36
- 33. Adjust Channel 1 VOLTS/DIV Compensation Page 5-37
- 34. Check Vertical Amplifier Bandwidth Page 5-38
- 35. Check Cascaded Bandwidth Page 5-38
- 36. Check Vertical Channel Isolation Page 5-39
- 37. Check Bandwidth Limit Operation Page 5-39

TRIGGER SYSTEM CALIBRATION

- 38. Adjust A Trigger Sensitivity Page 5-40
- 39. Adjust B Trigger Sensitivity Page 5-40
- 40. Adjust B Trigger Centering and Symmetry Page 5-41
- 41. Adjust A Trigger Centering and Symmetry Page 5-41

Calibration-475

42. Adjust Trigger DC Balance	Page 5-41	65. Adjust Magnifier Registration	Page 5-51
43. Check B Trigger DC Balance	Page 5-42	66. Check VAR TIME/DIV Range	Page 5-51
44. Check B Internal 40 Megahertz Triggering	Page 5-42	67. Check Horizontal POSITION Control Range	Page 5-51
45. Check A Internal 40 Megahertz Triggering	Page 5-42	68. Adjust 10 Microsecond Timing	Page 5-51
46. Check A External 40 Megahertz Triggering	Page 5-43	69. Adjust 0.1 Microsecond Timing	Page 5-52
47. Check B External 40 Megahertz Triggering	Page 5-43	70. Adjust Horizontal Output Centering	Page 5-52
48. Check External 200 Megahertz Triggering	Page 5-43	71. Adjust High-Speed Timing-Visual Method	Page 5-53
49. Check B Internal 200 Megahertz Triggering	Page 5-44	72. Adjust High-Speed Timing-Current Probe Method	Page 5-54
50. Check A Internal 200 Megahertz Triggering	Page 5-44	73. Check TIME/D IV Accuracy	Page 5-55
51. Check HF REJ Triggering	Page 5-45	74. Check A INTEN Timing Accuracy	Page 5-56
52. Check B 60 Hertz and LF REJ Triggering	Page 5-46	75. Check Magnified Timing Accuracy	Page 5-56
53. Check A 60 Hertz and LF REJ Triggering	Page 5-46	76. Check Delay Time Accuracy	Page 5-56
54. Check A LEVEL Control External Range	Page 5-47	77. Check Delay Time Jitter	Page 5-57
55. Check B LEVEL Control External Range	Page 5-47	78. Check Mixed Sweep Timing Accuracy	Page 5-57
56. Check Single Sweep Operation	Page 5-47	79. Adjust X Gain	Page 5-57
57. Check Normal Mode Operation	Page 5-48	80. Adjust X-Y Phasing and Bandwidth	Page 5-58
58. Check LINE Triggering	Page 5-48	81. Check B ENDS A Operation	Page 5-58
59. Check Automatic Recovery Time	Page 5-48	82. Check A TRIG HOLDOFF Operation	Page 5-58
60. Adjust Trigger View Centering	Page 5-48		
61. Check Trigger View Deflection Factor	Page 5-49		
HORIZONTAL SYSTEM CALIBRATION		CALIBRATOR, + GATES, and EXT Z-AXIS CALIBRATION	
62. Adjust Delay Start and Delay Stop	Page 5-49	83. Adjust CALIBRATOR Amplitude	Page 5-59
63. Check Differential Time Accuracy	Page 5-50	84. Check A and B + GATE Outputs	Page 5-59
64. Adjust Horizontal Amplifier Gain	Page 5-50	85. Check EXT Z-AXIS Operation	Page 5-59
		Preliminary Procedure for Calibration	
		<i>NOTE</i>	
		<i>This instrument should be adjusted at an ambient temperature of +25 (±0.5°C) for best overall accuracy.</i>	
		1. Remove the dust cover from the 475 as outlined in the Disassembly Instructions in the Maintenance section of the manual.	

2. Connect the autotransformer to a suitable power source.
3. Connect the 475 to the autotransformer output.
4. Set the autotransformer output voltage to the center of the voltage range selected by the Line Voltage Selector.

5. Set the controls as given under Preliminary Control Settings (given prior to Part I—Performance Check). Allow at least 20 minutes warmup before proceeding.

NOTE

Titles for external controls of this instrument are capitalized in this procedure (e.g., INTENSITY). Internal adjustments are initial capitalized only (e.g., CRT Grid Bias).

POWER SUPPLY CALIBRATION

Equipment Required	
1. Precision DC Voltmeter	4. Three-inch Screwdriver
2. DC Voltmeter	
3. Test Oscilloscope	5. Variable Auto-Transformer

Control Settings

Preset instrument controls to the settings given under Preliminary Control Settings.

1. Check Power Supply DC Levels and Ripple

a. Connect the Precision DC Voltmeter between test point +50 V and GND (negative meter lead to ground) on the main interface board. See Fig. 5-2.

b. CHECK—Meter for a reading of +50 volts, within 0.5% or ± 250 mV.

c. ADJUST— +50 volt supply adjustment, R1430, (see Fig. 5-2) for a meter reading of +50 volts, within 0.1% or 50 mV.

d. Using the Precision DC Voltmeter, measure the low voltage power supplies given in Table 5-5. Observe proper meter polarity. See Fig. 5-2 for test point locations.

e. Using the Test Oscilloscope, check for correct ripple as given in Table 5-5, while varying the autotransformer between 103.5 VAC and 126.5 VAC.

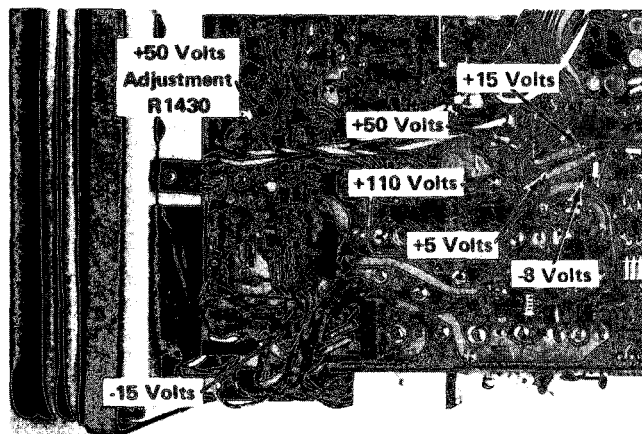


Fig. 5-2. Low voltage power supply test points and +50 V adjustment.

TABLE 5-5

Power Supply Tolerance and Ripple

Power Supply	Tolerance	Typical Ripple (peak-to-peak)
+110 V	3% (3.3 V)	1 V
+50 V	0.5% (250 mV)	2 mV
+15 V	1.5% (225 mV)	2 mV
+5 V	1.5% (75 mV)	2 mV
-15 V	1.5% (225 mV)	2 mV
-8 V	1.5% (120 mV)	2 mV

f. CHECK—For LOW LINE indicator light to turn on when the autotransformer is below 103 volts.

g. Return the autotransformer for a 115 VAC output.

2. Check High Voltage Power Supply

a. Connect the DC Voltmeter between the -2450-volt test point and ground (positive meter lead to ground). See Fig. 5-3.

b. CHECK—Meter for a reading of -2450 volts, within ±49 volts.

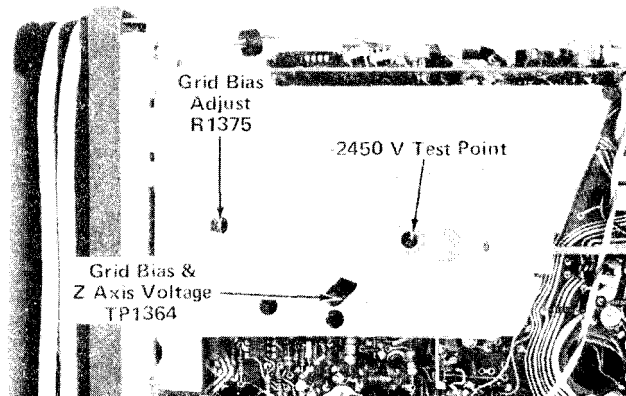


Fig. 5-3. Location of high-voltage and Grid Bias test points and adjustments.

DISPLAY and Z-AXIS CALIBRATION

Equipment Required	
1. DC Voltmeter	5. 42-inch 50 Ω BNC Cable
2. Time-Mark Generator (Type 2901)	6. 50 Ω BNC Termination
3. Test Oscilloscope	7. Three-inch Screwdriver
4. X10 Probe	8. Low-Capacitance Screwdriver

Control Settings

Preset instrument controls to the settings given under Preliminary Control Settings except as follows:

INTENSITY	Fully Counterclockwise
TRIG MODE	NORM

3. Adjust CRT Grid Bias

a. Connect the DC Voltmeter between TP1 364 and ground. (Negative meter lead to ground.) See Fig. 5-3.

b. Set the INTENSITY control for a meter reading of +15 volts.

c. CHECK—CRT display for the dimmest, well-defined dot.

d. ADJUST—CRT Grid Bias adjustment, R1375 (see Fig. 5-3) for dimmest, visible dot.

e. Turn CH 1 POSITION, FOCUS, and INTENSITY controls fully clockwise.

f. CHECK—Meter reading is between +20 volts and +30 volts.

g. Push BEAM FIND pushbutton.

h. CHECK—Meter for a reading of approximately +25 volts.

i. Release BEAM FIND button and remove DC Voltmeter connections.

j. Turn FOCUS, INTENSITY, and CH 1 POSITION controls to mid-range.

k. Adjust FOCUS and INTENSITY controls for a well-defined dot of nominal intensity.

4. Check ASTIG Control

a. Rotate ASTIG control (front panel screwdriver adjustment) through its range.

b. CHECK—For dot de-focus at both extremes of the ASTIG control.

c. Reset the ASTIG control for a well-defined dot.

5. Check Display Controls

a. Rotate SCALE ILLUM control through its range.

b. CHECK—For a smooth increase in illumination.

c. Set the INTENSITY control to mid-range.

d. Rotate the FOCUS control through its range.

e. CHECK—For trace de-focus at both extremes of the FOCUS control.

f. Rotate the INTENSITY control from fully counter-clockwise to fully clockwise.

g. CHECK—For trace intensity to increase smoothly from minimum to maximum intensity.

h. Reset the INTENSITY and FOCUS controls for a well-defined trace.

6. Adjust Trace Alignment

a. Position the trace to the center horizontal graticule line.

b. CHECK—That the trace is parallel with the center horizontal line.

c. ADJUST—TRACE ROTATION adjustment (front panel adjustment) to make the trace parallel to the center horizontal line.

7. Adjust Y Axis Alignment

a. Connect 0.1 ms time marks from the Time-Mark Generator (Type 2901) to the CH 1 input via a 42-inch 50 Ω BNC cable and a 50 Ω BNC termination.

b. Set the CH 1 AC-GND-DC switch to DC and the CH 1 VOLTS/DIV switch to 0.1V.

c. Adjust the A LEVEL control for a stable display, the ASTIG and FOCUS controls for a well-defined display.

d. Adjust the VAR TIM E/DIV control for 1 time marker/division.

e. CHECK—For no more than 0.1 division of tilt of the center time marker as compared with the center vertical graticule line.

f. ADJUST—Y Axis Alignment adjustment, R1385, (see Fig. 5-4) to align the center time marker with the center vertical line.

g. INTERACTION—Between Y Axis Alignment and TRACE ROTATION adjustments. Adjust both for total optimum response.

8. Adjust Geometry

a. CHECK—CRT display for no more than 0.1 division vertical curvature of the time markers across the viewing area.

b. ADJUST—Geometry adjustment, R1390 (see Fig. 5-4) for minimum curvature of the time markers across the viewing area.

c. Remove the test signal from CH 1 input.

d. CHECK—For no more than 0.1 division of curvature of the trace when positioned from top to bottom of the graticule area.

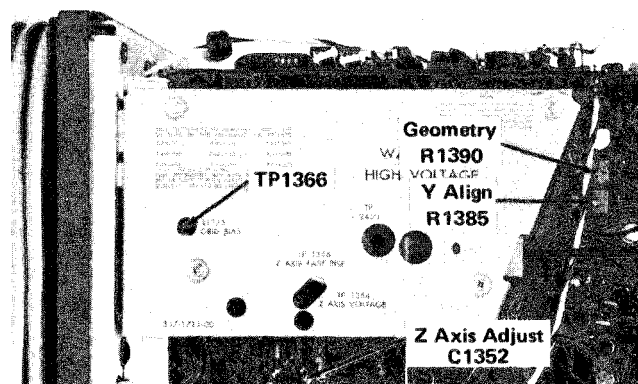


Fig. 5-4. Location of Y-Axis Align, Z-Axis, and Geometry adjustments and test point.

e. INTERACTION –Between Geometry and Y Axis Alignment adjustments. Adjust both for optimum response.

d. Adjust the Test Oscilloscope trigger controls to view the positive step of a 1 volt display of the Z-Axis signal.

9. Adjust Z-Axis Compensation

- a. Set A TIME/DIV switch to 0.05 μ s.
- b. Connect the X10 probe from the Test Oscilloscope to TP1366 (see Fig. 5-4).
- c. Connect the A +GATE output to the External Trigger input of the Test Oscilloscope via a 42-inch 50 Ω BNC cable.

- e. CHECK—Test Oscilloscope display for optimum square corner on the unblanking gate.
- f. ADJUST—Z-Axis Compensation adjustment, C1 352, using a low capacitance screwdriver, (see Fig. 5-4) for optimum square corner on the unblanking gate.
- g. Disconnect the test setup.

VERTICAL SYSTEM CALIBRATION

Equipment Required	
1. Standard Amplitude Calibrator (067-0502-01)	12. GR-to-BNC Female Adapter
2. Test Oscilloscope	13. 42-inch 50 Ω BNC Cable (two)
3. High-Frequency Constant-Am plitude Signal Generator (067-0532-01)	14. 18-inch 50 Ω BNC Cable
4. Medium -Frequency Constant-Amplitude Signal Genera- tor (Type 191)	15. X10 BNC Attenuator
5. Fast-Rise High-Amplitude Pulse Generator (Type 109)	16. X10 GR Attenuator (two)
6. Square-Wave Generator (Type 106)	17. X5 GR Attenuator
7. Precision DC Voltmeter	18. 50 Ω BNC Termination (two)
8. X10 Probe (two)	19. GR 50 Ω Termination
9. Signal Insertion Unit (067-0676-00)	20. 20 Picofarad Normalizer
10. 50 Ω Signal Pickoff Unit (Type CT-3)	21. Dual Input Coupler
11. GR 5 Nanosecond Cable	22. Three-inch Screwdriver
	23. Low-Capacitance Screwdriver

Control Settings

Preset instrument controls to the settings given under Preliminary Control Settings except as follows:

VOLTS/DIV 0.1 V

via a GR-to-BNC female adapter and a 50 Ω BNC termination.

10. Adjust Vertical Output Bias

- a. Connect the High Frequency Constant-Amplitude Signal Generator (067-0532-01) output to the CH 1 input

- b. Adjust the High-Frequency signal generator for a 200 MHz sine-wave output on the 0.5 V amplitude range.
- c. ADJUST—Vertical Output Bias adjustment, R488 (see Fig. 5-5) for maximum deflection of the signal.
- d. Disconnect the test setup.

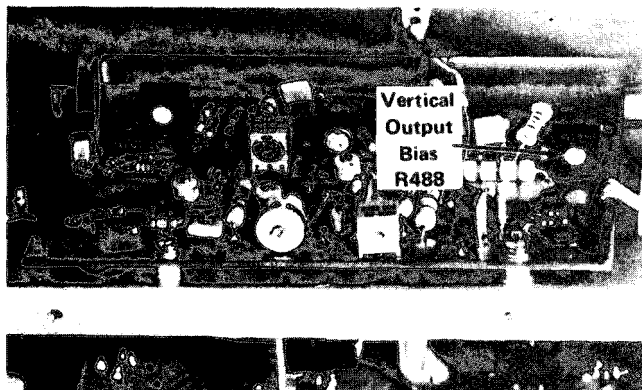


Fig. 5-5. Location of Vertical Output Bias adjustment.

11. Adjust Vertical Shield Voltage

a. Vertically position the trace to the center horizontal graticule line.

b. Using the Precision DC Voltmeter, measure the voltage on each vertical deflection plate of the CRT with respect to ground. (Negative meter lead to ground.) Note the meter reading.

c. Add both readings noted in step 11-b together and divide by two. Note the calculated voltage.

d. Connect the Precision DC Voltmeter between TP1395 and ground. (Negative meter lead to ground.)

e. CHECK—Meter reading is equal to the voltage calculated in step 11-c, within ± 0.5 volt.

f. ADJUST—Vertical Shield Volts adjustment, R 1395 (see Fig. 5-6), for a meter reading equal to the voltage calculated in step 11-c.

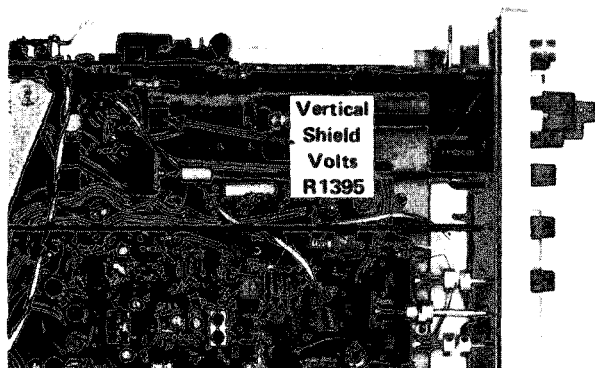


Fig. 5-6. Location of Vertical Shield Voltage adjustment.

g. Remove the Precision DC Voltmeter connections.

12. Adjust Delay-Line Driver Centering

a. Using the Precision DC Voltmeter, monitor both ends of the delay line until the readings are equal, while adjusting the CH 1 POSITION control.

b. CHECK—Precision DC Voltmeter for a reading of 0 volts.

c. ADJUST—Delay-Line Driver Centering adjustment, R385 (see Fig. 5-7), for a reading of 0 volts at both ends of the delay line.

d. Remove the Precision DC Voltmeter connections.

13. Check BEAM FIND Operation

a. Position the trace off-screen with the CH 1 POSITION and horizontal POSITION controls.

b. Push the BEAM FIND pushbutton and hold it in.

c. CHECK—That the trace is brought into the CRT viewing area.

d. Release the BEAM FIND.

14. Adjust CH 1 Variable Volts/Division Balance

a. Set the CH 1 VOLTS/DIV switch to 5 mV.

b. Position the trace to the center horizontal line.

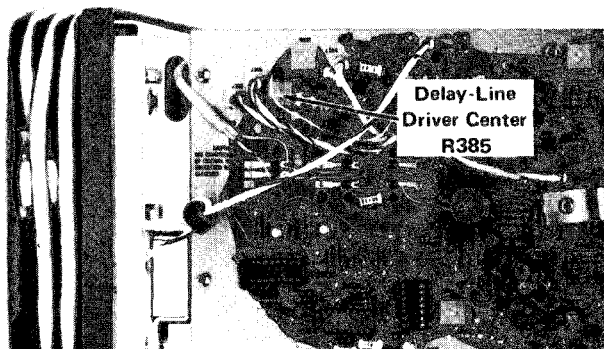


Fig. 5-7. Location of Delay-Line Driver Centering adjustment.

c. CHECK—That the CH 1 UNCAL light turns on when the VAR control is out of the detent position.

d. CHECK—CRT display for 2 divisions or less of trace shift when rotating the CH 1 VAR control through its range.

e. ADJUST—CH 1 Variable Balance adjustment, R1 10 (see Fig. 5-8) for minimum trace shift when rotating the CH 1 VAR control through its range.

f. Return the CH 1 VAR control to the detent position.

15. Adjust CH 1 Gain Switch Balance

a. Set the CH 1 VOLTS/DIV switch to 2 mV.

b. Position the trace to the center horizontal line.

c. CHECK—CRT display for minimum trace shift between 2 mV and 5 mV positions of the CH 1 VOLTS/DIV switch.

d. ADJUST—CH 1 Gain Switch Bal adjustment, R135 (see Fig. 5-8), for minimum trace shift between 2 mV and 5 mV positions of the CH 1 VOLTS/DIV switch.

16. Check Probe Indicator Lights

a. Set both VOLTS/DIV switches to 5 mV.

b. Connect a X10 probe to the CH 1 input.

c. CHECK—Light under 5 mV setting is extinguished and the light under 50 mV setting turns on.

d. Set the VERT MODE switch to CH 2.

e. Move the X10 probe to the CH 2 input.

f. CHECK—Light under 5 mV setting is extinguished and the light under 50 mV setting turns on.

g. Remove the X10 probe.

17. Check AC-GND-DC Switches

a. Set both AC-GND-DC switches to DC.

b. Connect the Standard Amplitude Calibrator output to the CH 2 input via a 42-inch 50 Ω BNC cable.

c. Adjust the Standard Amplitude Calibrator for a 20 mV output.

d. Position the bottom of the display to the center horizontal line.

e. Set CH 2 AC-GND-DC switch to GND.

f. CHECK—For no vertical deflection, trace is at the center horizontal line.

g. Set the CH 2 AC-GND-DC switch to AC.

h. CHECK—That the display is centered about the center horizontal line.

i. Move the test signal to the CH 1 input.

j. Set the VERT MODE switch to CH 1.

k. Position the bottom of the display to the center horizontal line.

l. Set the CH 1 AC-GND-DC switch to GND.

m. Repeat step 17-f

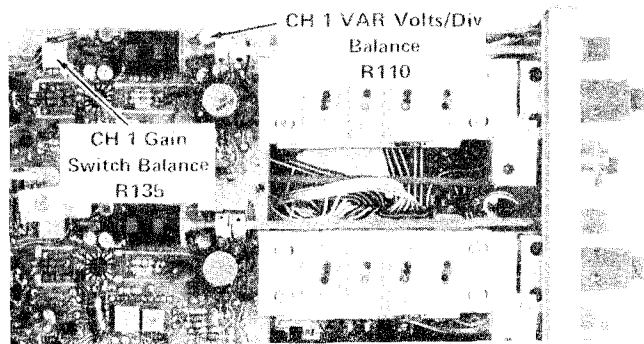


Fig. 5-8. Location of CH 1 Var Volts/Div Balance and Gain Switch Balance adjustments.

- o. Repeat step 17-h.
- 18. Adjust CH 1 Position Centering**
- a. Set the CH 1 VOLTS/DIV switch to 2 mV.
 - b. Adjust the Standard Amplitude Calibrator for a 50 mV output.
 - c. CHECK—The top of the CRT display can be positioned below the center horizontal graticule line, and that the bottom of the display can be positioned above the center horizontal graticule line.
 - d. ADJUST—CH 1 Position Centering adjustment, R176 (see Fig. 5-9), so the top of the CRT display can be positioned below the center horizontal graticule line, and the bottom of the display can be positioned above the center horizontal graticule line.

- 19. Adjust CH2 Variable Volts/Division Balance**
- a. Set the CH 2 VOLTS/DIV switch to 5 mV and the VERT MODE switch to CH 2.
 - b. CHECK—That the CH 2 UNCAL light turns on when the VAR control is out of the detent position.
 - c. CHECK—CRT display for 2 divisions or less of trace shift when rotating the CH 2 VAR control through its range.
 - d. ADJUST—CH 2 Variable Balance adjustment, R210 (see Fig. 5-10), for minimum trace shift when rotating the CH 2 VAR control through its range.

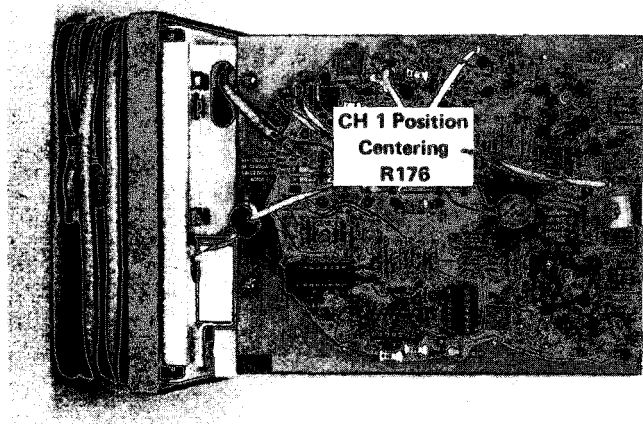


Fig. 5-9. Location of CH 1 Position Centering adjustment.

- e. Return the CH 2 VAR control to the detent position.
- 20. Adjust CH 2 Gain Switch Balance**
- a. Set the CH 2 VOLTS/DIV switch to 2 mV.
 - b. Position the trace to the center horizontal line.
 - c. CHECK—CRT display for minimum trace shift between 2 mV and 5 mV positions of the CH 2 VOLTS/DIV switch.
 - d. ADJUST—CH 2 Gain Switch Balance adjustment, R235 (see Fig. 5-10), for minimum trace shift between 2 mV and 5 mV positions of the CH 2 VOLTS/DIV switch.

- 21. Check CH 2 INVERT Balance**
- a. Set the CH 2 AC-GND-DC switch to GND.
 - b. Position the trace to the center horizontal graticule line.
 - c. Push the INVERT pushbutton.
 - d. CHECK—For less than 1 division of trace shift when switching from normal to inverted.
 - e. ADJUST—Invert Balance adjustment, R215 (see Fig. 5-10), for minimum trace shift between positions of the INVERT switch.
 - f. Return the INVERT to the normal (out) position.

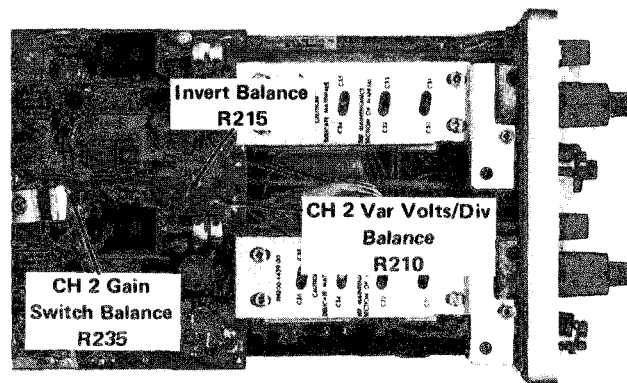


Fig. 5-10. Location of CH 2 Var Volts/Div Balance, Gain Switch Balance, and Invert Balance adjustments.

22. Adjust CH 2 Position Centering

- a. Set the CH 2 VOLTS/DIV switch to 2 mV.
- b. Move the test signal to the CH 2 input.
- c. CHECK—The top of the CRT display can be positioned below the center horizontal graticule line, and that the bottom of the display can be positioned above the center horizontal graticule line.

d. ADJUST—CH 2 Position Centering adjustment, R276 (see Fig. 5-11), so the top of the CRT display can be positioned below the center horizontal graticule line, and the bottom of the display can be positioned above the center horizontal graticule line.

23. Adjust CH 1 Gain

a. Set the VERT MODE switch to CH 1, the CH 1 VOLTS/DIV switch to 5 mV, and the CH 1 AC-GND-DC switch to DC.

- b. Move the test signal to the CH 1 input.
- c. Adjust the Standard Amplitude Calibrator for a 20 mV output.
- d. Set the Test Oscilloscope: Vertical Mode to ADD, Channel 2 to INVERT, and both VOLTS/DIV switches to 5 mV.

e. Connect two X10 probes from the Test Oscilloscope to the preamp side of the delay line.

f. CHECK—The Test Oscilloscope for a 200 mV (peak-to-peak) signal.

g. ADJUST—CH 1 5 mV Gain adjustment, R165 (see Fig. 5-12) for a 200 mV (peak-to-peak) display on the Test Oscilloscope.

NOTE

200 mV value is dependent on the CRT sensitivity.

h. Set the CH 1 VOLTS/DIV to 2 mV and adjust the Standard Amplitude Calibrator for a 10 mV output.

i. CHECK—The Test Oscilloscope for a 100 mV (peak-to-peak) signal.

j. ADJUST—CH 1 2 mV Gain adjustment, R125 (see Fig. 5-12) for a 100 mV (peak-to-peak) display on the Test Oscilloscope.

k. Remove the X10 probes from the delay line.

l. CHECK—CRT display for 5 divisions of deflection.

m. ADJUST—Vertical Output Gain adjustment, R449 (see Fig. 5-13) for 5 divisions of deflection.

n. CHECK—Accuracy of the CH 1 VOLTS/DIV switch using the settings given in Table 5-6 to see if the deflection factor accuracy for each position is within 3%.

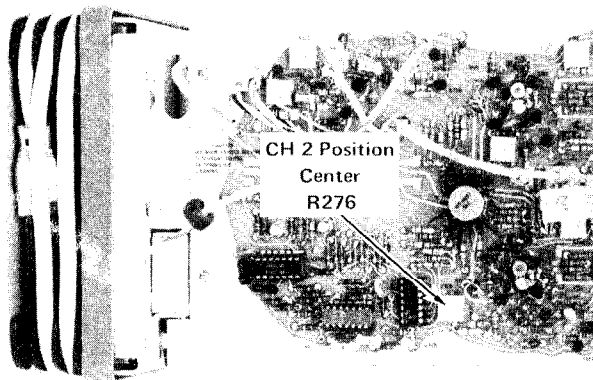


Fig. 5-11. Location of CH2 Position Centering adjustment.

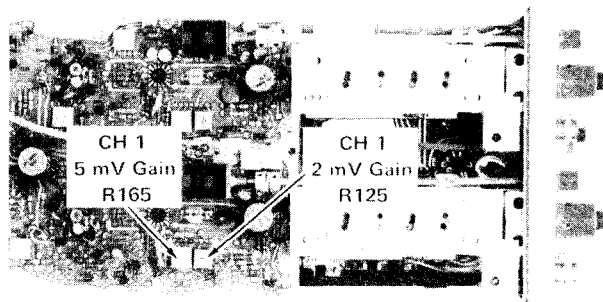


Fig. 5-12. Location of Gain adjustments for Channel 1.

24. Adjust CH 2 Gain

a. Set the VERT MODE switch to CH 2, the CH 2 VOLTS/DIV switch to 5 mV, and the AC-GND-DC switch to DC.

b. Move the test signal to the CH 2 input.

c. Adjust the Standard Amplitude Calibrator for a 20 mV output.

d. CHECK—CRT display for 4 divisions of deflection, within 3%.

e. ADJUST—CH 2 5 mV Gain adjustment, R265 (see Fig. 5-14), for 4 divisions of deflection.

f. Set the CH 2 VOLTS/DIV switch to 2 mV and adjust the Standard Amplitude Calibrator for a 10 mV output.

g. CHECK—CRT display for 5 divisions of deflection, within 3%.

h. ADJUST—CH 2 2 mV Gain adjustment, R225 (see Fig. 5-14), for 5 divisions of deflection.

i. CHECK—Accuracy of the CH 2 VOLTS/DIV switch using the settings given in Table 5-6. Deflection factor accuracy to be within 3% in all switch positions.

25. Check CH 2 and CH 1 Variable Volts/Division Ranges

a. Adjust the Standard Amplitude Calibrator for 5 divisions of deflection.

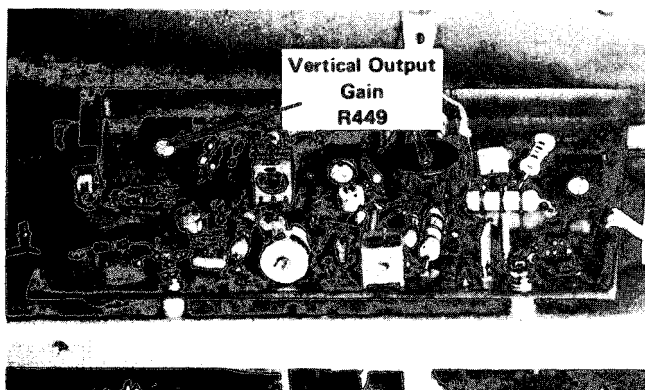


Fig. 5-13. Location of Vertical Output Gain adjustment.

TABLE 5-6

Vertical Deflection Accuracy

VOLTS/DIV Switch Setting	Standard Amplitude Calibrator Output	Vertical Deflection in Divisions	Maximum Error for 3% Accuracy
2 mV	10 mV	5	Previously set
5 mV	20 mV	4	Previously set
10 mV	50 mV	5	±0.15 div
20 mV	0.1 V	5	±0.15 div
50 mV	0.2 V	4	±0.12 div
0.1 V	0.5 V	5	±0.15 div
0.2 V	1 V	5	±0.15 div
0.5 V	2 V	4	±0.12 div
1 V	5 V	5	±0.15 div
2 V	10 V	5	±0.15 div
5 V	20 V	4	±0.12 div

b. Rotate the CH 2 VAR control fully counterclockwise.

c. CHECK—CRT display reduces to less than 2 divisions.

d. Move the test signal to CH 1.

e. Set the VERT MODE switch to CH 1.

f. Adjust the Standard Amplitude Calibrator for 5 divisions of deflection.

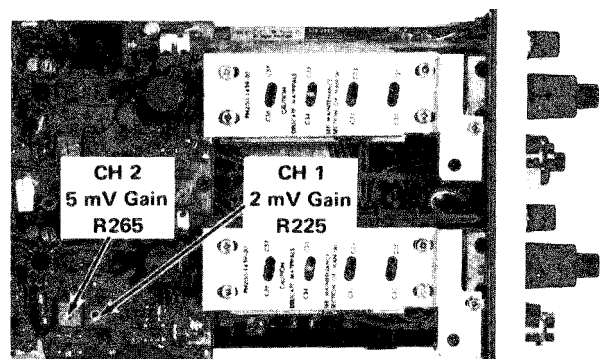


Fig. 5-14. Location of Gain adjustment for Channel 2.

- g. Rotate the CH 1 VAR control fully counterclockwise.
- h. CHECK—CRT display reduces to less than 2 divisions.
- i. Return the VAR controls to the detent position.

26. Check ADD Mode Operation

- a. Set both VOLTS/DIV switches to 5 mV and both AC-GND-DC switches to DC.
- b. Connect the Standard Amplitude Calibrator output to both channel inputs via a dual input coupler.
- c. Adjust the Standard Amplitude Calibrator for a 10 mV output.
- d. Set the VERT MODE switch to ADD.
- e. CHECK—For 4 divisions of deflection, within 0.12 division.

27. Check Compression and Expansion

- a. Set the CH 2 AC-GND-DC switch to GND and the VERT MODE switch to CH 1.
- b. Adjust the CH 1 VAR control for 2 divisions of deflection centered about the center horizontal line.
- c. Position the top of the display to the top graticule line.
- d. CHECK—CRT display for 0.1 division or less of compression or expansion.
- e. Position the bottom of the display to the bottom graticule line.
- f. CHECK—CRT display for 0.1 division or less of compression or expansion.
- g. Return the CH 1 VAR control to the detent position.

- h. Disconnect the test setup.

28. Check ALT Mode Operation

- a. Set the VERT MODE switch to ALT and the A LEVEL control fully clockwise.
- b. Position the two traces 2 divisions apart.
- c. CHECK—That the sweeps alternate at all settings of the A TIME/DIV switch, except X-Y.

29. Check CHOP Mode Operation

- a. Set the A TIME/DIV switch to 0.2 μ s, the A SOURCE switch to NORM, the A SLOPE switch to +, the VERT MODE switch to CHOP, and both AC-GND-DC switches to GND.
- b. Position the two traces 4 divisions apart.
- c. Adjust the A LEVEL control for a stable display.
- d. CHECK—For complete blanking of switching transients between chopped segments (see Fig. 5-15).
- e. CHECK—Duration of each cycle is about 5 divisions.

30. Adjust Vertical Output Amplifier High-Frequency Response

- a. Set the VERT MODE switch to CH 1.

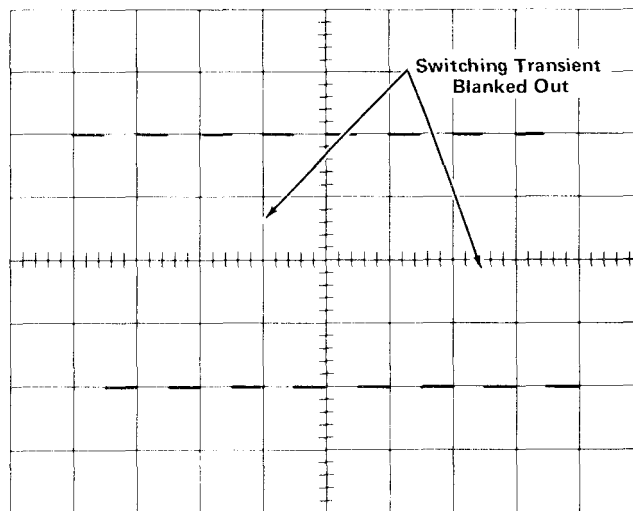


Fig 5-15. Typical CRT display when checking chopped blanking.

b. Connect the preamp end of the delay line to the output of the Signal Insertion Unit (067-0676-00).

c. Connect the Signal Insertion Unit to +15 volts and -8 volts from the 475.

d. Connect the Fast-Rise High-Amplitude Pulse Generator (Type 109) to the Signal Insertion Unit via a 50 Ω 5 ns GR cable, a X5 G R attenuator Signal Pickoff Unit (Type CT-3), and a GR-to-BNC adapter.

e. Connect the 10% output BNC connector of the Signal Pickoff Unit (Type CT-3) to the A External Trigger input via an 18-inch 50 Ω BNC cable and a 50 Ω BNC termination.

f. Adjust the Pulse Generator for 5 divisions of deflection, + Polarity.

g. CHECK—CRT display for flat-top waveform with no more than 10% overshoot on the leading edge.

h. ADJUST—C450, R450, C466, R466, C470, R470 (see Fig. 5-16), for best flat-top waveform.

i. CAL AI D—Adjust C450 and R450 for minimum aberrations; C466 and R466 for flat response over the first 5 ns; C470 and R470 for flat response over the first 15 ns. R450 should be adjusted as far counterclockwise as possible.

j. INTERACTION—Between all adjustments in this step. Re-adjust for best flat-top response.

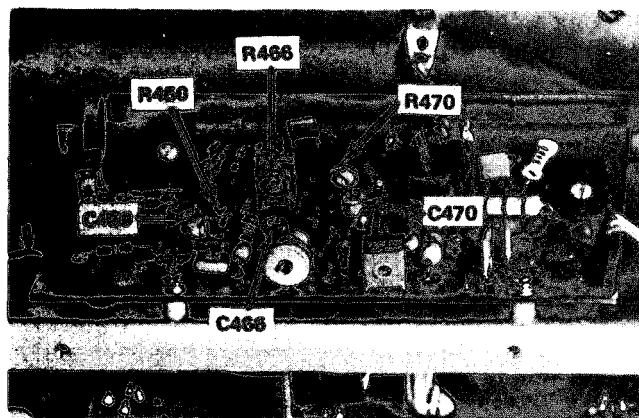


Fig. 5-16. Location of vertical output high-f frequency adjustments.

k. Disconnect the test setup and reconnect the Delay Line to the Vertical preamp.

31. Adjust High-Frequency Compensation

a. Connect the fast-rise output of the Square-Wave Generator (Type 106) to the CH 1 input via a 42-inch 50 Ω BNC cable and a 50 Ω BNC termination.

b. Set the CH 1 AC-GND-DC switch to DC and the VOLTS/DIV switch to 5 mV.

c. Adjust the Square-Wave Generator for a 5 division display of a 10 kHz signal.

d. CH EC K—CRT display for flat-top waveform within +4%, -4%, or a total of 4% aberrations.

e. ADJUST—R139 and R475 (see Fig. 5-17 & 5-18) for the best flat-top waveform.

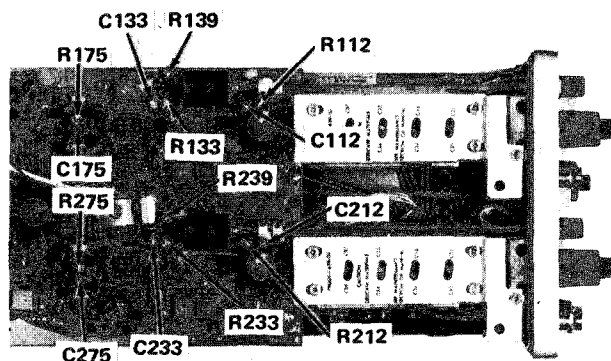


Fig. 5-17. Location of high-frequency compensation adjustments.

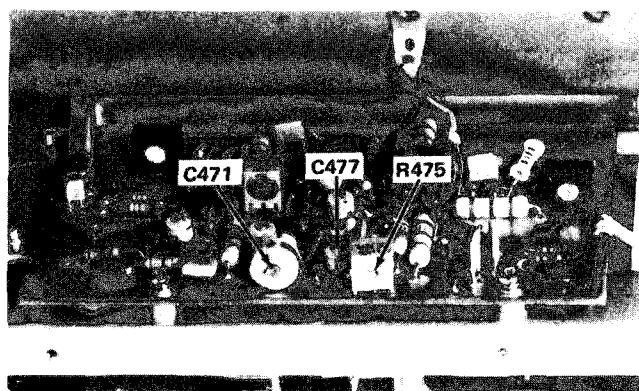


Fig. 5-18. Location of R475, C471, and C477.

f. Adjust the Square-Wave Generator for 5 divisions of a 100 kHz signal.

g. CHECK—Repeat step 31-d.

h. ADJUST—C471 and C477 (see Fig. 5-18) with a low-capacitance screwdriver, for the best flat-top waveform.

i. Move the test signal to CH 2 input.

j. Set the VERT MODE switch to CH 2, the CH 2 AC-GND-DC switch to DC, and the CH 2 VOLTS/DIV switch to 5 mV.

k. Adjust the Square-Wave Generator for a 5 division display of a 10 kHz signal.

l. CHECK—Repeat step 31-d.

m. ADJUST —R239, R475, C471, and C477 (see Fig. 5-17 & 5-18), for the best flat-top waveform.

n. CAL AI D—Compromise the adjustment of R475, C471, and C477 for the best response for both CH 1 and CH 2.

o. Disconnect the test setup from the Square-Wave Generator to the CH 2 input.

p. Connect the output of the Fast-Rise High-Amplitude Pulse Generator (Type 109) to the CH 1 input via a 50 Ω 5 ns GR cable, (2) X10 GR attenuators, X5 GR attenuator, a 50 Ω GR termination, and a GR-to-BNC adapter.

q. Set the Pulse Generator polarity to + and the voltage range to 50 V.

r. Adjust the Pulse Generator for five divisions of deflection.

s. CHECK—Repeat step 31-d.

t. ADJUST—C175, R175, C133, R133, C112, and R112 (see Fig. 5-17), with a low-capacitance screwdriver, for the best flat-top waveform.

u. CAL AI D—C175 and R175 affect aberrations 10 ns from the leading edge; C133 and R133 affect aberrations 2 ns from the leading edge; C112 and R112 affect the front corner aberrations.

v. Move the test signal to the CH 2 input.

w. Set the VERT MODE switch to CH 2 and adjust the Pulse Generator for five divisions of deflection.

x. CHECK—Repeat step 31-d.

y. ADJUST—C275, R275, C233, R233, C212, and R212 (see Fig. 5-17), with a low-capacitance screwdriver, for the best flat-top waveform.

z. CAL AI D—C275 and R275 affect aberrations 10 ns from the leading edge; C233 and R233 affect aberrations 2 ns from the leading edge; C212 and R212 affect the front corner aberrations.

aa. Disconnect the test setup.

32. Adjust CH 2 VOLTS/DIV Compensation

a. Set the VERT MODE switch to CH 2, both AC-GND-DC switches to DC, both VOLTS/DIV switches to 5 mV, and the A TIME/DIV switch to 0.2 ms.

b. Connect the high-amplitude output of the Square-Wave Generator (Type 106) to the CH 2 input via a GR-to-BNC adapter, 42-inch 50 Ω BNC cable, X10 BNC attenuator, 50 Ω BNC termination, and a 20 pF normalizer.

c. Adjust the Square-Wave Generator for a five division display of a 1 kHz signal. Add or remove attenuators as necessary to maintain a five division display throughout this step.

d. CHECK—CRT display for flat-top waveform with no more than 2% overshoot or roll-off on the leading edge.

e. ADJUST—C10 (see Fig. 5-19) with a low-capacitance screwdriver for best flat-top waveform.

f. Turn the CH 2 VOLTS/DIV switch to 2 mV.

g. CHECK—Repeat step 32-d.

- h. Turn the CH 2 VOLTS/DIV switch to 10 mV.
- i. CHECK—Repeat step 32-d.
- j. ADJUST—Channel 2's C36 and C37 (see Fig. 5-19) with a low-capacitance screwdriver, for best corner and flat-top waveform.
- k. CAL AID—Remove the 20 pF normalizer when adjusting or checking the corner response.
- l. INTERACTION—Between Channel 2's C36 and C37. Re-adjust both for optimum response.
- m. Turn the CH 2 VOLTS/DIV switch to 20 mV.
- n. CHECK—Repeat step 32-d.
- o. ADJUST—Channel 2's C34 and C35 (see Fig. 5-19), with a low-capacitance screwdriver, for best corner and flat-top waveform.
- p. INTERACTION—Between Channel 2's C34 and C35. Re-adjust both for optimum response.
- q. Turn the CH 2 VOLTS/DIV switch to 50 mV.
- r. CHECK—Repeat step 32-d.
- s. ADJUST—Channel 2's C32 and C33 (see Fig. 5-19) with a low-capacitance screwdriver, for best corner and flat-top waveform.

- t. INTERACTION —Between Channel 2's C32 and C33. Re-adjust both for optimum response.
- u. Turn the CH 2 VOLTS/DIV switch to 0.1 V.
- v. CHECK—Repeat step 32-d.
- w. Turn the CH 2 VOLTS/DIV switch to 0.2 V.
- x. CHECK—Repeat step 32-d.
- y. Turn the CH 2 VOLTS/DIV switch to 0.5 V.
- z. CHECK—Repeat step 32-d.
- aa. ADJUST—Channel 2's C30 and C31 (see Fig. 5-19) with a low-capacitance screwdriver, for best corner and flat-top waveform.
- ab. INTERACTION—Between Channel 2's C30 and C31. Re-adjust both for optimum response.
- ac. Repeat step 32-z for 1 V, 2 V, and 5 V positions of the CH 2 VOLTS/DIV switch.

33. Adjust CH 1 VOLTS/DIV Compensation

- a. Set the VERT MODE switch to CH 1 and move the test signal to the CH 1 input.
- b. Adjust the Square-Wave Generator (Type 106) for a five division display of a 1 kHz signal. Add or remove attenuators as necessary to maintain a five division display.
- c. CHECK—CRT display for flat-top waveform with no more than 2% overshoot or roll-off on the leading edge.
- d. ADJUST—C50 (see Fig. 5-19) with a low-capacitance screwdriver for best flat-top waveform.
- e. Turn the CH 1 VOLTS/DIV switch to 2 mV.
- f. CHECK—Repeat step 33-d.
- g. Turn the CH 1 VOLTS/DIV switch to 10 mV.

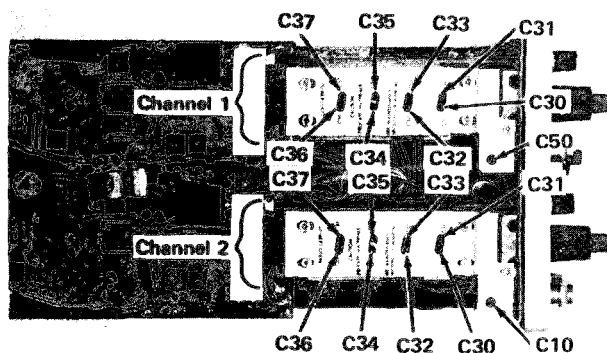


Fig. 5-19. Location of VOLTS/DIV Compensation adjustments.

- h. CHECK—Repeat step 33-d.
- i. ADJUST—Channel 1's C36 and C37 (see Fig. 5-19) with a low-capacitance screwdriver, for best corner and flat-top waveform.
- j. CAL A I D—Remove the 20 pF normalizer when adjusting or checking the corner response.
- k. INTERACTION —Between Channel 1's C36 and C37. Re-adjust both for optimum response.
- l. Turn the CH 1 VOLTS/DIV switch to 20 mV.
- m. CHECK—Repeat step 33-d.
- n. ADJUST—Channel 1's C34 and C35 (see Fig. 5-19) with a low-capacitance screwdriver, for best corner and flat-top waveform.
- o. INTERACTION —Between Channel 1's C34 and C35. Re-adjust both for optimum response.
- p. Turn the CH 2 VOLTS/DIV switch to 50 mV.
- q. CHECK—Repeat step 33-d.
- r. ADJUST—Channel 1's C32 and C33 (see Fig. 5-19) with a low-capacitance screwdriver, for best corner and flat-top waveform.
- s. INTERACTION —Between Channel 1's C32 and C33. Re-adjust both for optimum response.
- t. Turn the CH 1 VOLTS/DIV switch to 0.1 V.
- u. CHECK—Repeat step 33-d.
- v. Turn the CH 1 VOLTS/DIV switch to 0.2 V.
- w. CHECK—Repeat step 33-d.
- x. Turn the CH 1 VOLTS/DIV switch to 0.5 V.

- y. CHECK—Repeat step 33-d.
- z. ADJUST—Channel 1's C30 and C31 (see Fig. 5-19) with a low-capacitance screwdriver, for best corner and flat-top waveform.
- aa. INTERACTION —Between Channel 1's C30 and C31. Re-adjust both for optimum response.
- ab. Repeat step 33-d for 1 V, 2 V, and 5 V positions of the CH 1 VOLTS/DIV switch.
- ac. Disconnect the test setup.

34. Check Vertical Amplifier Bandwidth

- a. Connect the output of the High-Frequency Constant-Amplitude Signal Generator (067-0532-01) to the CH 1 input via a GR-to-BNC adapter, X10 BNC attenuator, and a 50 Ω BNC termination.
- b. Set the TRIG MODE switch to AUTO, the A TIME/DIV switch to 0.2 ms, and both VOLTS/DIV switches to 5 mV.
- c. Adjust the High-Frequency signal generator output amplitude for a five division display of a 3 megahertz reference signal.
- d. Without changing the output amplitude, increase the output frequency of the High-Frequency signal generator until the display is reduced to 3.5 divisions.
- e. CHECK—Output frequency of the High-Frequency signal generator must be at least 200 megahertz.
- f. Move the test signal to the CH 2 input and set the VERT MODE switch to CH 2.
- g. Repeat the bandwidth check procedure, step 34-c through 34-e.

- h. Disconnect the test setup.

35. Check Cascaded Bandwidth

- a. Set both AC-GND-DC switches to DC, both VOLTS/DIV switches to 5 mV, the A TIME/DIV switch to 1 ms, and the VERT MODE switch to CH 1.

b. Connect the CH 2 VERT SIGNAL OUT (on the rear panel) to the CH 1 input via a 42-inch 50 Ω BNC cable and a 50 Ω BNC termination.

c. Connect the output of the Medium-Frequency Constant-Amplitude Signal Generator (Type 191) to the CH 2 input via a GR-to-BNC adapter, 42-inch 50 Ω BNC cable, X10 BNC attenuator, and a 50 Ω BNC termination.

d. Adjust the Medium-Frequency signal generator for a five division display of a 50 kHz signal.

e. Without changing the output amplitude of the Medium-Frequency signal generator, increase the output frequency until the display is reduced to 3.5 divisions.

f. CHECK—Output frequency of the Medium-Frequency signal generator must be at least 50 megahertz

g. Disconnect the test setup from the CH 2 VERT SIGNAL OUT to the CH 1 input connector.

36. Check Vertical Channel Isolation

a. Set the VERT MODE switch to CH 2, the CH 2 VOLTS/DIV switch to 0.2 V, and the CH 1 AC-GND-DC switch to GND.

b. Connect the output of the Medium-Frequency Constant-Amplitude Signal Generator (Type 191) to the CH 1 & 2 inputs via a GR-to-BNC adapter, 42-inch 50 Ω BNC cable, X10 BNC attenuator, 50 Ω BNC termination, and a dual input coupler.

c. Adjust the Medium-Frequency signal generator for a 4 division display of a 50 MHz signal.

d. Set both VOLTS/DIV switches to 20 mV and the VERT MODE switch to CH 1.

e. CHECK—CRT display for no more than 0.2 division of deflection.

f. Set the CH 2 AC-GND-DC switch to GND, the CH 1 AC-GND-DC switch to DC, and the CH 1 VOLTS/DIV switch to 0.2 V.

g. Adjust the Medium-Frequency signal generator for a 4 division display of a 50 MHz signal.

h. Set the VERT MODE switch to CH 2.

i. CHECK—CRT display for no more than 0.2 division of deflection.

j. Disconnect the test setup.

37. Check Bandwidth Limit Operation

a. Pull the 20 MHz BW/TRIG VIEW button to BW and set the CH 1 AC-GND-DC switch to DC.

b. Connect the Medium-Frequency Constant-Amplitude Signal Generator (Type 191) to the CH 1 input via a 42-inch 50 Ω BNC cable and a 50 Ω BNC termination.

c. Adjust the Medium-Frequency signal generator for a six division display of a 50 kilohertz signal.

d. Increase the output frequency of the signal generator until the display is reduced to 4.2 divisions.

e. CHECK—Output frequency of the signal generator is between 15 and 25 megahertz.

f. Disconnect the test setup.

TRIGGER SYSTEM CALIBRATION

Equipment Required	
1. Standard Amplitude Calibrator (067-0502-01).	8. GR-to-BNC Female Adapter.
2. High-Frequency Constant-Amplitude Signal Generator (067-0532-01).	9. 42-inch 50 Ω BNC Cable.
3. Medium-Frequency Constant-Amplitude Signal Generator (Type 191).	10. 18-inch 50 Ω BNC Cable (two).
4. Low-Frequency Sine-Wave Generator (General Radio 1310-A).	11. X10 BNC Attenuator
5. Time-Mark Generator (Type 2901),	12. X2 BNC Attenuator
6. 50 Ω Signal Pickoff Unit (Type CT-3).	13. BNC-T Connector
7. 50 Ω 5 nanosecond GR Cable.	14. 50 Ω BNC Termination (two).
	15. Dual Input Coupler (two).
	16. Three-inch Screwdriver.

Control Settings

Preset instrument controls to the settings given under Preliminary Control Settings except as follows:

CH 1 VOLTS/DIV	10mV
A SOURCE	EXT
A COUPLING	AC
A LEVEL	0

38. Adjust A Trigger Sensitivity

a. Connect the output of the Medium-Frequency Constant-Amplitude Signal Generator (Type 191) to the A and B External Trigger inputs via a 50 Ω 5ns GR cable, 50 Ω Signal Pickoff Unit (Type CT-3) thru output, GR-to-BNC adapter, X10 BNC attenuator, 50.0 BNC termination, and a dual input coupler.

b. Connect the 10% BNC output connector of the Signal Pickoff Unit to the CH 1 and CH 2 inputs via an 18-inch 50 Ω BNC cable, a 50 Ω BNC termination, and a dual input coupler.

c. Adjust the Medium-Frequency signal generator output for a 3 division display of a 350 kHz signal.

d. Turn the CH 1 VOLTS/DIV switch to 0.1 V.

e. CHECK-That a stable display can be obtained by rotating the A LEVEL control.

f. Adjust the Medium-Frequency signal generator to increase the CRT display to 0.35 division.

g. ADJUST-A Trigger Sensitivity adjustment, R565, (see Fig. 5-20) so that a stable display can just be obtained by rotating the A LEVEL control.

39. Adjust B Trigger Sensitivity

a. Set the HORIZ DISPLAY to B DLY'D, the B COUPLING switch to AC, the B SOURCE switch to EXT, and the B SLOPE switch to +.

b. Adjust the Medium-Frequency signal generator for a 0.3 division display.

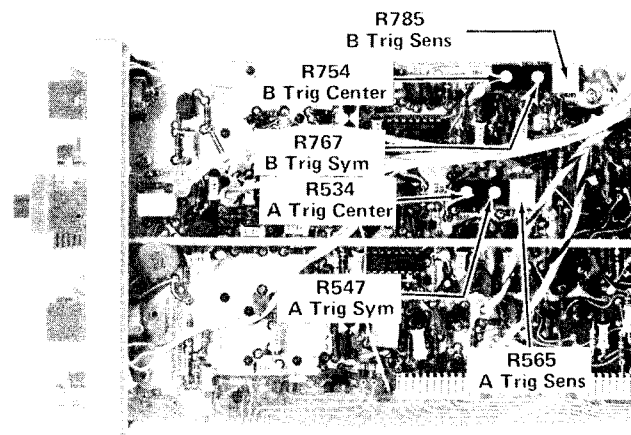


Fig. 5-20. Location of Trigger Sensitivity, Symmetry, and Centering adjustments.

c. CHECK-That a stable display can just be obtained by rotating the B LEVEL control.

d. Adjust the Medium-Frequency signal generator to increase the CRT display to 0.35 division.

e. ADJUST-B Trigger Sensitivity adjustment, R785 (see Fig. 5-20) so that a stable display can just be obtained by rotating the B LEVEL control.

40. Adjust B Trigger Centering and Symmetry

a. Set both TIME/DIV switches to 10 μ s, both LEVEL controls to 0, the CH 1 VOLTS/DIV switch to 50 mV, and the B SOURCE switch to NORM.

b. Adjust the Medium-Frequency signal generator for a 2 division display of a 350 kilohertz signal.

c. Vertically center the display about the center horizontal graticule line.

d. CHECK-CRT display begins at the same vertical point in both slopes of the displayed waveform.

e. ADJUST-B Trigger Symmetry adjustment, R767 (see Fig. 5-20), so that the trace begins at the same point in both slopes of the displayed waveform.

f. ADJUST-B Trigger Centering adjustment, R754 (see Fig. 5-20), for the trigger point of the display to be at the graticule center.

g. CAL AID-A gap equal to 35 mV should exist between the + and - trigger points.

41. Adjust A Trigger Centering and Symmetry

a. Set the HORIZ DISPLAY switch to A and the A SOURCE switch to NORM.

b. CHECK-CRT display begins at the same vertical point in both slopes of the displayed waveform.

c. ADJUST-A Trigger Symmetry adjustment, R547 (see Fig. 5-20), so that the trace begins at the same point in both slopes of the displayed waveform.

d. ADJUST-A Trigger Centering adjustment, R534 (see Fig. 5-20), for the trigger point of the display to be at the graticule center.

e. CAL AID-A gap equal to 35 mV should exist between the + and - trigger points.

42. Adjust Trigger DC Balance

a. Set the A COUPLING switch to DC, the A SOURCE switch to NORM, and the A LEVEL control to 0.

b. Adjust the Medium-Frequency signal generator for a 0.3 division display.

c. Position the display to the vertical center of the graticule viewing area.

d. CHECK-That a stable display can be obtained on both slopes of the displayed waveform.

e. ADJUST-Normal Trigger DC Balance adjustment, R425 (see Fig. 5-21), so that the display begins at the same DC level when switching the A COUPLING switch from DC to AC.

f. Set the A SOURCE switch to CH 1.

g. CHECK-That a stable display can be obtained on both slopes of the displayed waveform.

h. ADJUST-CH 1 Trigger DC Balance adjustment, R403 (see Fig. 5-21), so that the display begins at the same DC level when switching the A COUPLING switch from DC to AC.

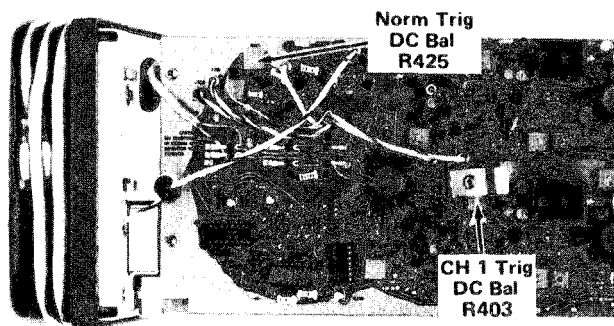


Fig. 5-21. Location of Normal Trigger DC Balance and CH 1 Trigger DC Balance adjustments.

Calibration-475

- i. Set the VERT MODE switch to CH 2.
 - j. Adjust the CH 2 VOLTS/DIV switch to obtain a 0.3 division display.
 - k. Position the display to the vertical center of the graticule viewing area.
1. Set the A SOURCE switch to CH 2.
- m. CHECK-That a stable display can be obtained on both slopes of the displayed waveform.

43. Check B Trigger DC Balance

- a. Set the HORIZ DISPLAY switch to B DLY'D, the B LEVEL control to O, the B SOURCE switch to NORM, and the B COUPLING switch to DC.
- b. CHECK-That a stable display can be obtained on both slopes of the displayed waveform in the NORM and CH 2 positions of the B SOURCE switch.
- c. Set the VERT MODE switch to CH 1.
- d. Adjust the CH 1 VOLTS/DIV switch to obtain a 0.3 division display.
- e. Position the display to the vertical center of the graticule viewing area.
- f. CHECK-That a stable display can be obtained on both slopes of the displayed waveform in the NORM and CH 1 positions of the B SOURCE switch.

44. Check B Internal 40 Megahertz Triggering

- a. Set the DELAY TIME POSITION dial fully counter-clockwise, both TIME/DIV switches to $0.5 \mu s$, both VOLTS/DIV switches to 10 mV, and both SOURCE switches to NORM.
- b. Adjust the Medium-Frequency Constant-Amplitude Signal Generator (Type 191) to maintain a 0.3 division display of a 40 megahertz signal throughout this step.
- c. CHECK-A stable display can be obtained on both slopes of the displayed waveform in the AC, LF REJ, and

DC positions of the B COUPLING switch by adjusting the B LEVEL control.

- d. Set the B SOURCE switch to CH 1.
- e. CHECK--Repeat step 44-c.
- f. Set the VERT MODE switch to CH 2.
- g. CHECK-That a stable display cannot be obtained with the B SOURCE switch set to CH 1.
- h. Set the B SOURCE switch to CH 2.
- i. CHECK-A stable display can be obtained on both slopes of the displayed waveform in the AC, LF REJ, and DC positions of the B COUPLING switch by adjusting the B LEVEL control.
- j. Set the B SOURCE switch to NORM.
- k. CHECK-Repeat step 44-i.

45. Check A Internal 40 Megahertz Triggering

- a. Set the HORIZ DISPLAY switch to A.
- b. Adjust the Medium-Frequency signal generator to maintain a 0.3 division display of a 40 megahertz signal throughout this step.
- c. CHECK--A stable display can be obtained on both slopes of the displayed waveform in the AC, LF REJ, and DC positions of the A COUPLING switch by adjusting the A LEVEL control.
- d. Set the A SOURCE switch to CH 2.
- e. CHECK-Repeat step 45-c.
- f. Set the VERT MODE switch to CH 1.
- g. CHECK-That a stable display cannot be obtained with the A SOURCE switch set to CH 2.

h. Set the A SOURCE switch to CH 1.

i. CHECK-A stable display can be obtained on both slopes of the displayed waveform in the AC, LF REJ, and DC positions of the A COUPLING switch by adjusting the A LEVEL control.

j. Set the A SOURCE switch to NORM.

k. CHECK-Repeat step 45-i.

46. Check A External 40 Megahertz Triggering

a. Set the HORIZ DISPLAY switch to A, the A SOURCE switch to EXT, the B SOURCE switch to NORM, and the CH 1 VOLTS/DIV switch to 20 mV.

b. Adjust the Medium-Frequency signal generator for a five division display of a 40 megahertz signal.

c. Add a X2 BNC attenuator to the External Trigger signal test setup between the X10 BNC attenuator and the 50 Ω BNC termination.

d. CHECK-A stable display can be obtained, by adjusting the A LEVEL control, on both slopes of the displayed waveform in the AC and DC positions of the A COUPLING switch.

e. Remove the X2 BNC attenuator from the External Trigger signal test setup.

f. CHECK-A stable display can be obtained, by adjusting the A LEVEL control, on both slopes of the displayed waveform in the LF REJ position of the A COUPLING switch.

g. Set the A SOURCE switch to EXT \div 10.

h. Remove the X10 BNC attenuator from the test setup.

i. CHECK-Repeat step 46-f.

j. Replace the X2 BNC attenuator to the test setup.

k. CHECK-Repeat step 46-d.

l. Replace the X10 BNC attenuator to the test setup.

47. Check B External 40 Megahertz Triggering

a. Set the HORIZ DISPLAY switch to B DLY'D, the B SOURCE switch to EXT, and the A SOURCE switch to NORM.

b. Adjust the Medium-Frequency signal generator for a five division display.

c. CHECK-A stable display can be obtained, by adjusting the LEVEL controls, on both slopes of the displayed waveform in the AC and DC positions of the B COUPLING switch.

d. Remove the X2 BNC attenuator from the test setup.

e. CHECK-A stable display can be obtained, by adjusting the LEVEL controls, on both slopes of the displayed waveform in the LF REJ position of the B COUPLING switch.

f. Disconnect the test setup.

48. Check External 200 Megahertz Triggering

a. Set the TIME/DIV switch to 10 μ s, the TRIG MODE switch to AUTO, the X10 MAG button in, both VOLTS/DIV switches to 1 V, the VERT MODE switch to CH 1, and the A SOURCE switch to EXT.

b. Connect the High-Frequency Constant-Amplitude Signal Generator (067-0532-01) to the A and B External Trigger inputs via a 50 Ω Signal Pickoff Unit (Type CT-3), GR-to-BNC adapter, X10 BNC attenuator, X2 BNC attenuator, 50 Ω BNC termination, and a dual-input coupler.

c. Connect the 10% BNC output connector of the Signal Pickoff Unit to the CH 1 and CH 2 inputs via an 18-inch 50 Ω BNC cable, a 50 Ω BNC termination, and a dual input coupler.

d. Adjust the High-Frequency signal generator for a five division display of a 3 megahertz signal.

e. Set the TIME/DIV switch to 0.1 μ s.

f. Adjust the High-Frequency signal generator for a 200 megahertz output frequency.

g. CHECK-That a stable display, with no more than 0.2 division of jitter, can be obtained on both slopes of the displayed waveform, by adjusting the A LEVEL control, in the AC and DC positions of the A COUPLING switch.

h. Remove the X2 BNC attenuator from the test setup.

i. CHECK-That a stable display, with no more than 0,2 division of jitter, can be obtained on both slopes of the displayed waveform, by adjusting the A LEVEL control, in the LF REJ position of the A COUPLING switch.

j. Remove the X10 BNC attenuator and replace the X2 BNC attenuator to the test setup.

k. Set the A SOURCE switch to EXT \div 10.

l. CHECK-Repeat step 48-g.

m. Replace the X10 BNC attenuator to the test setup.

n. Set the HORIZ DISPLAY switch to B DLY'D, the B SOURCE switch to EXT, and the A SOURCE switch to NORM.

o. CHECK-That a stable display, with no more than 0.2 division of jitter, can be obtained on both slopes of the displayed waveform, by adjusting both LEVEL controls, in the AC and DC positions of the B COUPLING switch.

p. Remove the X2 BNC attenuator from the test setup.

q. CHECK-That a stable display, with no more than 0.2 division of jitter, can be obtained on the slopes of the displayed waveform, by adjusting both LEVEL controls, in the LF REJ position of the B COUPLING switch.

49. Check B internal 200 Megahertz Triggering

a. Set the B SOURCE switch to NORM and both VOLTS/DIV switches to 10 mV.

b. Adjust the High Frequency Constant-Amplitude Signal Generator (067-0532-01) for a 1.5 division display of a 200 megahertz signal.

c. CHECK-That a stable display, with no more than 0.2 division of jitter, can be obtained on both slopes of the displayed waveform, by adjusting both LEVEL controls, in the AC, LF REJ, and DC positions of the B COUPLING switch.

d. Set the B SOURCE switch to CH 1.

e. CHECK-Repeat step 49-c.

f. Set the B SOURCE switch to CH 2.

g. CHECK-That a stable display cannot be obtained in any position of the B COUPLING switch.

h. Set the VERT MODE switch to CH 2.

i. CHECK-Repeat step 49-c.

j. Set the B SOURCE switch to NORM.

k. CHECK-Repeat step 49-c.

l. Set the B SOURCE switch to CH 1.

m. CHECK-Repeat step 49-g.

50. Check A Internal 200 Megahertz Triggering

a. Set the HORIZ DISPLAY switch to A.

b. CHECK-That a stable display, with no more than 0.2 division of jitter, can be obtained on both slopes of the displayed waveform, by adjusting the A LEVEL control, in the AC, LF REJ, and DC positions of the A COUPLING switch.

c. Set the A SOURCE switch to CH 2.

d. CHECK-Repeat step 50-b.

e. Set the A SOURCE switch to CH 1.

f. CHECK-That a stable display cannot be obtained in any position of the A COUPLING switch.

- g. Set the VERT MODE switch to CH 1.
- h. CHECK-Repeat step 50-b.
- i. Set the A SOURCE switch to NORM.
- j. CHECK-Repeat step 50-b.
- k. Set the A SOURCE switch to CH 2.
- l. CHECK-Repeat step 50-f.
- m. Disconnect the test setup.
- i. Set the A SOURCE switch to EXT.
- j. CHECK-That a stable display cannot be obtained in the HF REJ position of the A COUPLING switch.
- k. Reduce the Medium-Frequency signal generator output frequency to 50 kilohertz.
- l. CHECK-That a stable display can be obtained on both slopes of the displayed waveform, in all positions of the A COUPLING switch, by adjusting the A LEVEL control.
- m. Move the external Trigger signal to the B External Trigger input.

51. Check HF REJ Triggering

- a. Set the HORIZ DISPLAY switch to A, the TIME/DIV switches to $2 \mu s$, the TRIG MODE switch to AUTO, both COUPLING switches to HF REJ, and both SOURCE switches to NORM.
- b. Connect the output of the Medium-Frequency Constant-Amplitude Signal Generator (Type 191) to the CH 1 input via a 50Ω 5 ns GR cable, a 50Ω Signal Pickoff Unit (Type CT-3), a GR-to-BNC adapter, and an 18-inch 50Ω BNC cable.
- c. Connect the 10% output of the Signal Pickoff Unit to the A External Trigger input via an 18-inch 50Ω BNC cable and a 50Ω BNC termination.
- d. Adjust the Medium-Frequency signal generator for a 0.5 volt, 50 kilohertz, output signed.
- e. Adjust the CH 1 VOLTS/DIV switch for a 0.3 division display.
- f. CHECK-That a stable display can be obtained on both slopes of the displayed waveform in all positions of the A COUPLING switch, by adjusting the A LEVEL Control.
- g. Increase the output of the Medium-Frequency signal generator to 1 megahertz.
- h. CHECK-That a stable display cannot be obtained in the HF REJ position of the A COUPLING switch.
- n. Set the HORIZ DISPLAY switch to B DLY'D.
- o. CHECK-That a stable display can be obtained on both slopes of the displayed waveform, in all positions of the B COUPLING switch, by adjusting the LEVEL controls.
- p. Increase the output of the Medium-Frequency signal generator to 1 megahertz.
- q. CHECK-That a stable display cannot be obtained in the HF REJ position of the B COUPLING switch.
- r. Set the B SOURCE switch to EXT.
- s. CHECK-That a stable display cannot be obtained in the HF REJ position of the B COUPLING switch.
- t. Reduce the Medium-Frequency signal generator output frequency to 50 kilohertz.
- u. CHECK-That a stable display can be obtained on both slopes of the displayed waveform, in all positions of the B COUPLING switch, by adjusting the LEVEL controls.
- v. Disconnect the test setup.

52. Check B 60 Hertz and LF REJ Triggering

a. Set the B TIME/DIV switch to 5ms, the HORIZ DISPLAY switch to B DLY'D, both SOURCE switches to NORM, and both VOLTS/DIV switches to 0.1 V.

b. Connect the Low-Frequency Sine Wave Generator (General Radio 1310-A) to the CH 1 input via a 42-inch 50 Ω BNC cable, a BNC-T connector, an 18-inch 50 Ω BNC cable, and a 50 Ω BNC termination.

c. Connect the other side of the BNC-T connector to the B External Trigger input via a X10 BNC attenuator and a 50 Ω BNC termination.

d. Adjust the Low-Frequency generator for a 0,3 division display of a 60 hertz signal.

e. CHECK-That a stable display can be obtained on both slopes of the displayed waveform in the AC, HF REJ, and DC positions of the B COUPLING switch, by adjusting the LEVEL controls.

f. CHECK-That a stable display cannot be obtained in the LF REJ position of the B COUPLING switch.

g. Set the B SOURCE switch to CH 1.

h. CHECK-Repeat step 52-e.

i. CHECK-Repeat step 52-f.

j. Set the B SOURCE switch to CH 2.

k. CHECK-That a stable display cannot be obtained in any position of the B COUPLING switch.

l. Move the test signal from the CH 1 input to the CH 2 input.

m. Set the VERT MODE switch to CH 2.

n. Adjust the Low-Frequency generator for a 0.3 division display of a 60 hertz signal.

o. CHECK-Repeat step 52-e.

p. CHECK-Repeat step 52-f.

q. Set the B SOURCE switch to EXT.

r. CHECK-Repeat step 52-e.

s. CHECK-Repeat step 52-f.

53. Check A 60 Hertz and LF REJ Triggering

a. Set the HORIZ DISPLAY switch to A.

b. Move the signal from the B External Trigger input to the A External Trigger input.

c. CHECK-That a stable display can be obtained on both slopes of the displayed waveform, in the AC, HF REJ, and DC positions of the A COUPLING switch, by adjusting the A LEVEL control.

d. CHECK-That a stable display cannot be obtained in the L F REJ position of the A COUPLING switch.

e. Set the A SOURCE switch to CH 2.

f. CHECK-Repeat step 53-c.

g. CHECK-Repeat step 53-d.

h. Set the A SOURCE switch to CH 1.

i. CHECK-That a stable display cannot be obtained in any Position of the A COUPLING switch.

j. Move the test signal from the CH 2 input to the CH 1 input.

k. Set the VERT MODE switch to CH 1.

l. Adjust the Low-Frequency generator for a 0.3 division display of a 60 hertz signal.

m. CHECK-Repeat step 53-c.

- n. CHECK-Repeat step 53-d.
- o. Set the A SOURCE switch to EXT.
- p. CHECK-Repeat step 53-c.
- q. CHECK-Repeat step 53-d.
- r. Disconnect the test setup.

54. Check A LEVEL Control External Range

a. Set both SOURCE switches to EXT, the CH 1 VOLTS/DIV switch to 1 V, the A SLOPE switch to +, and the A COUPLING switch to AC.

b. Connect the output of the Low-Frequency Sine-Wave Generator (General Radio 1310-A) to the CH 1 input and the A External Trigger input through a BNC-T connector and two 18-inch 50 Ω BNC cables.

c. Adjust the Low-Frequency generator for a four division display of a 1 kilohertz signal.

d. CHECK-That the display can be triggered at any point along the positive slope of the waveform when rotating the A LEVEL control throughout its range.

e. CHECK-CRT display is not triggered at either extreme of the A LEVEL control.

f. Set the A SLOPE switch to -.

g. CHECK-That the display can be triggered at any point along the negative slope of the displayed waveform when rotating the A LEVEL control throughout its range.

h. CHECK-Repeat step 54-e.

i. Set the CH 1 VOLTS/DIV switch to 10 V and the A SOURCE switch to EXT \div 10.

j. Adjust the Low-Frequency generator for a four division display of a 1 kilohertz signal.

k. CHECK-That the display can be triggered at any point along the negative slope of the displayed waveform, in the AC, HF REJ, and DC positions of the A COUPLING switch, when rotating the A LEVEL control throughout its range.

l. CHECK-Repeat step 54-e.

m. Set the A SLOPE switch to +.

n. CHECK-That the display can be triggered at any point along the positive slope of the displayed waveform, in the AC, HF REJ, and DC positions of the A COUPLING switch, when rotating the A LEVEL control throughout its range.

o. CHECK-Repeat step 54-e.

55. Check B LEVEL Control External Range

a. Set the HORIZ DISPLAY switch to B DLY'D, the A SOURCE switch to NORM, the B SLOPE switch to +, and the CH 1 VOLTS/DIV switch to 1 V.

b. Move the External Trigger signal to the B External Trigger input.

c. Adjust the Low-Frequency generator for a four-division display of a 1 kilohertz signal.

d. CHECK-That the display can be triggered at any point along the positive slope of the displayed waveform when rotating the B LEVEL control throughout its range.

e. CHECK-CRT display is not triggered at either extreme of the B LEVEL control.

f. Set the B SLOPE switch to -.

g. CHECK-That the display can be triggered at any point along the negative slope of the displayed waveform when rotating the B LEVEL control throughout its range.

h. CHECK-Repeat step 55-e.

56. Check Single Sweep Operation

a. Set the HORIZ DISPLAY switch to A and the A COUPLING switch to AC.

Calibration-475

b. Adjust the Low-Frequency Sine-Wave Generator (General Radio 1310-A) for a 50 kilohertz signal output.

c. Adjust the A LEVEL control for a triggered display.

d. Disconnect the test signal from the CH 1 input.

e. Press the SINGL SWP button of the TRIG MODE switch.

f. CHECK-READY light turns on when SINGL SWP button is pressed and remains on until the test signal is re-applied.

g. Reconnect the test signal to the CH 1 input.

h. CHECK-READY light is extinguished.

i. Press the SINGL SWP button.

j. CHECK-That a single-sweep display (one sweep only) is presented.

57. Check Normal Mode Operation

a. Set the A SOURCE switch to NORM and the TRIG MODE switch to AUTO.

b. Adjust the Low-Frequency Sine-Wave Generator (General Radio 1310-A) for a 50 kilohertz signal.

c. Adjust the A LEVEL control for a triggered display.

d. Switch the TRIG MODE switch to NORM.

e. CHECK-For a stable display.

f. Remove the test signal from the CH 1 input.

g. CHECK-For no trace in the absence of an adequate trigger signal.

58. Check LINE Triggering

a. Set the HORIZ DISPLAY switch to A, the TRIG MODE switch to AUTO, the A SOURCE switch to LINE,

the A COUPLING switch to AC, and the A SLOPE switch to +.

b. Push the TRIG VIEW button and hold it in.

c. CHECK-CRT display is triggerable on the positive slope by rotating the A LEVEL control.

d. Release the TRIG VIEW button.

59. Check Automatic Recovery Time

a. Set the A TIME/DIV switch to 50 ms, the A SLOPE switch to +, and the A SOURCE switch to NORM.

b. Connect the Time-Mark Generator (Type 2901) to the CH 1 input via a 42-inch 50 Ω BNC cable and a 50 Ω BNC termination.

c. Select 50 ms time marks from the Time-Mark Generator.

d. CHECK-That a stable display can be obtained by adjusting the A LEVEL control. Time marker must be at the start of the sweep.

e. Disconnect the test setup.

60. Adjust Trigger View Centering

a. Set the CH 1 AC-G ND-DC switch to DC, the CH 1 VOLTS/DIV switch to 10 mV, the A COUPLING switch to DC, the A SOURCE switch to EXT, the A SLOPE switch to +, and the A LEVEL control to 0.

b. Push the TRIG VIEW button and hold it in.

c. CHECK-That the trace is within 1 division of the center horizontal graticule line.

d. ADJUST-Trigger View Centering adjustment, R673 (see Fig. 5-22), so that the trace is at the center horizontal line.

e. Release the TRIG VIEW button.

f. Disconnect the test setup.

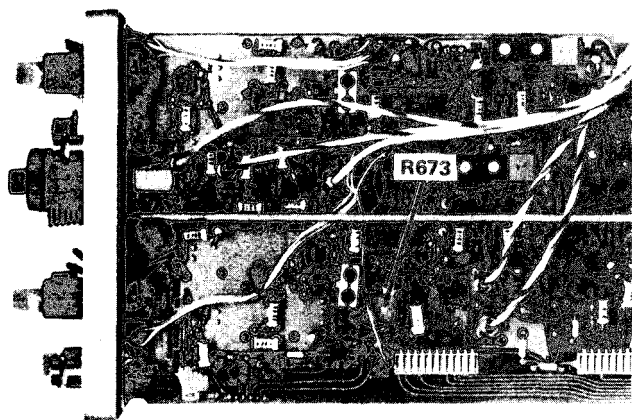


Fig. 5-22. Location of Trigger View Centering adjustment.

61. Check Trigger View Deflection Factor

- a. Connect the output of the Standard Amplitude Calibrator to the A External Trigger input via a 42-inch 50 Ω BNC cable.
- b. Adjust the Standard Amplitude Calibrator for a 200 mV output.
- c. Push the TRIG VIEW button and hold it in.
- d. CHECK-For 3.2 to 4.8 divisions of display.
- e. Release the TRIG VIEW button.
- f. Disconnect the test setup.

HORIZONTAL SYSTEM CALIBRATION

Equipment Required	
1. Standard Amplitude Calibrator (067-0502-01)	6. P6022 Current Probe
2. Medium-Frequency Constant-Amplitude Signal Generator (Type 191)	7. 42-inch 50 Ω BNC Cable (two)
3. Wine-Mark Generator (Type 2901)	8. 50 Ω BNC Termination (two)
4. Test Oscilloscope	9. Dual Input Coupler
5. X10 Probe	10. Three-inch Screwdriver
	11. Low-Capacitance Screwdriver

Control Settings

Preset instrument controls to the settings given under Preliminary Control Settings except as follows:

A TIME/DIV	1 ms
B TIME/DIV	1 μs
HORIZ DISPLAY	A INTEN
B SOURCE	STARTS AFTER DELAY
DELAY TIME POSITION	1.00

62. Adjust Delay Start and Delay Stop

a. Connect 1 ms time marks to the CH 1 input from the Wine-Mark Generator (Type 2901) via a 42-inch 50 Ω BNC cable and a 50Ω | BNC termination.

b. CHECK-intensified portion of the sweep begins at the second time marker.

c. ADJUST-Delay Start adjustment, R938 (see Fig. 5-23), so the left side of the intensified zone starts on the leading edge of the second time marker.

d. Set the DELAY TIME POSITION dial to 9.00.

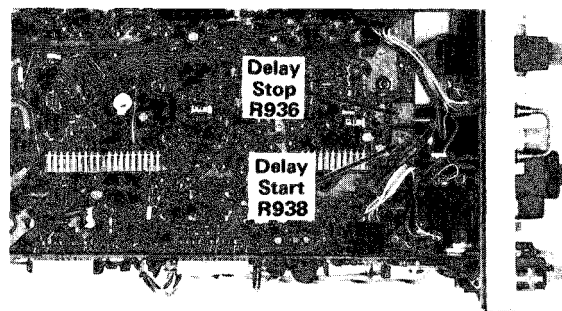


Fig. 5-23. Location of Delay Start and Delay Stop adjustments.

e. CHECK-Intensified portion of the sweep begins at the tenth time marker.

f. ADJUST-Delay Stop adjustment, R936 (see Fig. 5-23), so the left side of the intensified zone starts on the leading edge of the tenth time marker.

g. Set the HORIZ DISPLAY switch to B DLY'D.

h. Set the DELAY TIME POSITION dial to 1.00.

i. CHECK-Displayed pulse starts at the beginning of the sweep.

j. ADJUST-Delay Start adjustment, R938, so the displayed pulse starts at the beginning of the sweep.

k. Set the DELAY TIME POSITION dial to 9.00.

l. CHECK-Displayed pulse starts at the beginning of the sweep.

m. ADJUST-Delay Stop adjustment, R936, so the displayed pulse starts at the beginning of the sweep.

n. INTERACTION-Between Delay Start and Delay Stop adjustments. Repeat both for no visible interaction.

63. Check Differential Time Accuracy

a. Set the DELAY TIME POSITION dial to position the tenth time marker to the beginning of the sweep.

b. Note the reading on the DELAY TIME POSITION dial.

c. Adjust the DELAY TIME POSITION dial so the ninth time marker is at the beginning of the sweep.

d. CHECK-DELAY TIME POSITION dial for a reading one division less, within 0.01 division from +15°C to +35°C (one division less, within 0.02 division from -15°C to +55°C) than the reading noted in step 63-b.

e. Rotate the DELAY TIME POSITION dial to position each successive time marker to the beginning of the sweep.

f. CHECK-DELAY TIME POSITION dial for a reading of one division less, within 0.01 division from +15°C to +35°C (one division less, within 0.02 division from -15°C to +55°C), than the adjacent time marker.

64. Adjust Horizontal Amplifier Gain

a. Set the HORIZ DISPLAY switch to A, both TIME/DIV switches to 1 ms, and the VERT MODE switch to CH1.

b. Select 1 ms time marks from the Time-Mark Generator.

NOTE

Unless otherwise stated, timing checks are made over the entire 10 divisions.

c. CHECK-CRT display for 1 time marker/division, within 1% from +20°C to +30°C; for 1 time marker/division, within 3% from -15°C to +55°C.

d. ADJUST-Horizontal Gain adjustment, R1155 (see Fig. 5-24), for 1 time marker/division".

NOTE

Effective range of R 1155 is determined selected value of R 1154. R 1154 may be 124 Ω, or 150 Ω, 1/8 watt, 1% resistor.

e. Select 0.1 ms time marks from the Generator.

f. Push the X10 MAG button.

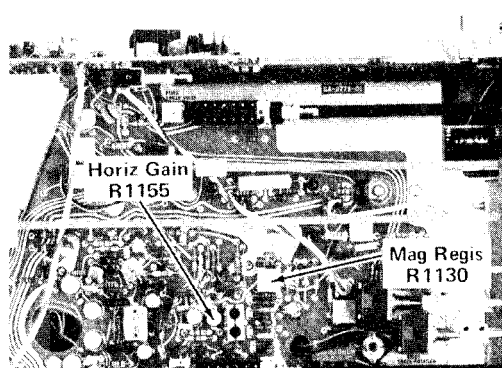


Fig. 5-24. Location of Horizontal Gain and Magnifier Registration adjustments.

g. CHECK-X10 MAG light is on when the X10 MAG button is in.

h. CHECK-CRT display for 1 time marker/division, within 2% from +20°C to +30°C; for 1 time marker/division, within 4% from -15°C to +55°C.

65. Adjust Magnifier Registration

a. Select 5 ms time marks from the Time-Mark Generator.

b. Position the second time marker to the center vertical graticule line.

c. Release the X10 MAG.

d. CHECK-Second time marker is within 0.4 division of the center vertical graticule line.

e. ADJUST-Magnifier Registration adjustment, R1130 (see Fig. 5-24), to position the second time marker to the center vertical graticule line.

f. CAL AID-Repeat the above procedure until no shift occurs between the positions of the X10 MAG switch.

66. Check VAR TIME/DIV Range

a. Set the A TIME/DIV switch to 2 ms and the HORIZ DISPLAY switch to A.

b. Select 5 ms time marks from the Time-Mark Generator.

c. CHECK-At least 1 time marker/division can be obtained by rotating the VAR TIME/DIV control.

d. CHECK-That the UNCAL light comes on when the VAR TIME/DIV control is out of the detent position.

e. Return the VAR TIME/DIV control to the detent position.

67. Check Horizontal POSITION Control Range

a. Set the Horizontal FINE control to midrange and the A TIME/DIV switch to 2 ms.

b. Turn the horizontal POSITION control fully clockwise.

c. CHECK-Start of sweep is to the right of the center vertical graticule line.

d. Turn the horizontal POSITION control fully counterclockwise.

e. CHECK-End of sweep is to the left of the center vertical graticule line.

f. Rotate the horizontal FINE control.

g. CHECK-That the FINE control will position the sweep between one and two divisions.

68. Adjust 10 Microsecond Timing

a. Set the DELAY TIME POSITION dial to 0.00, the B SOURCE switch to STARTS AFTER DELAY, and both TIME/DIV switches to 10 μ s.

b. Select 10 μ s time marks from the Time-Mark Generator.

c. CHECK-CRT display for 1 time marker/division, within 1% from +20°C to +30°C; 1 time marker/division, within 3% from -15°C to +55°C.

d. ADJUST-C1064 (see Fig. 5-25) with a low-capacitance screwdriver, for 1 time marker/division.

e. Set the HORIZ DISPLAY switch to A INTEN, and the B TIME/DIV switch to 0.1 μ s.

f. CHECK-CRT display for 1 time marker/division, within 1% from +20°C to +30°C; 1 time marker/division, within 3% from -15°C to +55°C.

g. ADJUST-C1023 (see Fig. 5-25) with a low-capacitance screwdriver, for 1 time marker/division.

h. Set the HORIZ DISPLAY switch to B DLY'D and the DELAY TIME POSITION dial to 1.00.

i. Adjust the DELAY TIME POSITION dial to position the time marker to the center vertical graticule line.

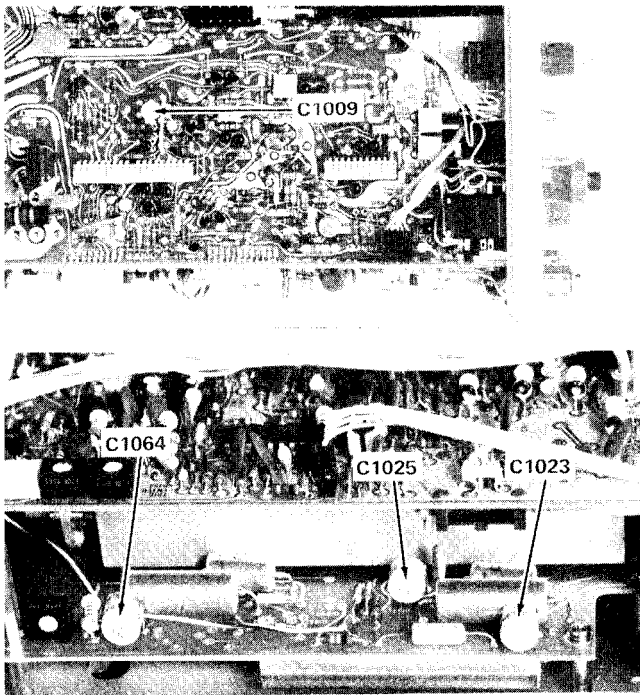


Fig. 5-25. Location of A and B Sweep timing adjustments.

- c. CHECK-CRT display for 1 time marker/division, within 2% from +20°C to +30°C; 1 time marker/division, within 3% from -15°C to +55°C.
- d. ADJUST-C1025 (see Fig. 5-25) with a low-capacitance screwdriver, for 1 time marker/division.
- e. Set the HORIZ DISPLAY switch to B DLY'D and the B TIME/DIV switch to 0.01 μs.
- f. Adjust the DELAY TIME POSITION dial to position the time marker to the center vertical graticule line.
- g. Note the reading of the DELAY TIME POSITION dial for use in step 69-h.
- h. Turn the DELAY TIME POSITION dial 8 divisions higher than the reading in step 69-g.
- i. CHECK-Time marker is at center vertical graticule line.
- j. ADJUST-C1025 to position the time marker to the center vertical graticule line.
- k. CAL AID-Repeat the above procedure for optimum timing response at +1.00 and +8.00 settings of the DELAY TIME POSITION dial.
- l. Set the HORIZ DISPLAY switch to A and both TIME/DIV switches to 0.1 μs.
- m. CHECK-CRT display for 1 time marker/division, within 1% from +20°C to +30°C; 1 time marker/division, within 3% from -15°C to +55°C.
- n. ADJUST-C1009 (see Fig. 5-25) with a low-capacitance screwdriver for 1 time marker/division.
- o. Disconnect the test setup.

j. Note the reading on the DELAY TIME POSITION dial for use in step 68-k.

k. Turn the DELAY TIME POSITION dial 8 divisions higher than the reading in step 68-j.

l. CHECK-Time marker is at center vertical graticule line.

m. ADJUST-C1023 to position the time marker to the center vertical graticule line.

n. CAL AID-Repeat the above procedure for optimum timing response at +1.00 and +8.00 settings of the DELAY TIME POSITION dial.

69. Adjust 0.1 Microsecond Timing

a. Set the DELAY TIME POSITION dial to 1.00, the HORIZ DISPLAY switch to A INTEN, and the B TIME/DIV switch to 0.1 μs.

b. Select 0.1 μs time marks from the Time-Mark Generator.

70. Adjust Horizontal Output Centering

a. Set the A TIME/DIV switch to X-Y, the HORIZ DISPLAY switch to A, and the VERT MODE switch to CH 1.

b. Adjust the CH 1 POSITION control to horizontally center the dot.

c. Set the Test Oscilloscope: TIM E/DIV switch to 1 ms, VOLTS/DIV switch to 0.5 V, and AC-GND-DC switch to DC.

d. Connect a X10 probe from the Test Oscilloscope to the +50 V test point on the 475 (see Fig. 5-26).

e. Position the trace on the Test Oscilloscope to the center vertical graticule line.

f. Disconnect the probe from the +50 V test point.

g. Alternately check the voltage on the collectors of (Q1214 and Q1204 (see Fig. 5-26).

h. CHECK-That the voltage at the collectors of Q1214 and Q1204 is equal.

i. Adjust the 475 CH 1 POSITION control until the voltage at the collector of Q1214 equals that on the collector of Q1204.

j. ADJUST-Horizontal Output Centering adjustment, R1256 (see Fig. 5-26), for +50 V on the collector of Q1214 and Q1204.

k. Disconnect the test setup.

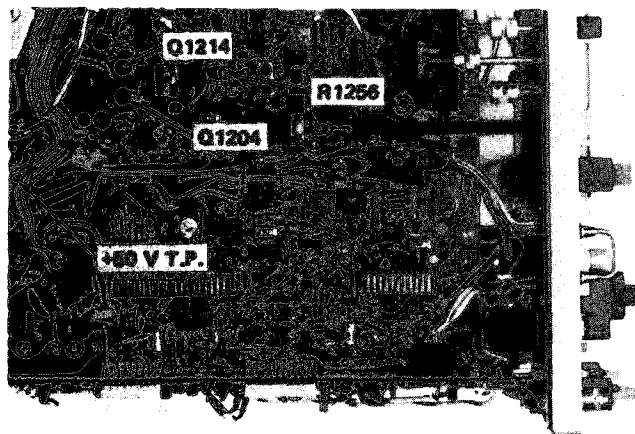


Fig. 5-26. Location of Q1204, Q1214, +50 V TP, and Horizontal Output Centering adjustment.

71. Adjust High-Speed Timing-Visual Method

NOTE

This step is intended only as a "touch up" of the timing adjustments. If the adjustments are greatly misadjusted, or major portions of the circuitry have been replaced, proceed with step 72.

a. Set the A TIME/DIV switch to $0.05 \mu\text{s}$, the X10 MAG button in, the A SOURCE switch to EXT, and the A COUPLING switch to LF REJ.

b. Connect the output of the Time-Mark Generator (Type 2901) to the CH 1 input via a 42-inch 50Ω BNC cable and a 50Ω BNC termination.

c. Connect the TRIGGER OUT of the Time-Mark Generator to the A External Trigger input via a 42-inch 50Ω BNC cable and a 50Ω BNC termination.

d. Select 5 ns time marks and $0.1 \mu\text{s}$ triggers from the Time-Mark Generator.

e. CHECK-CRT display for 1 cycle/division, within 2% from $+20^\circ\text{C}$ to $+30^\circ\text{C}$; 1 cycle/division, within 4% from -15°C to $+55^\circ\text{C}$.

f. ADJUST-C1233 and C1253 (see Fig. 5-27), with a low-capacitance screwdriver, in approximately equal amounts to achieve 1 cycle/division.

g. Set the A TIME/DIV switch to $0.02 \mu\text{s}$.

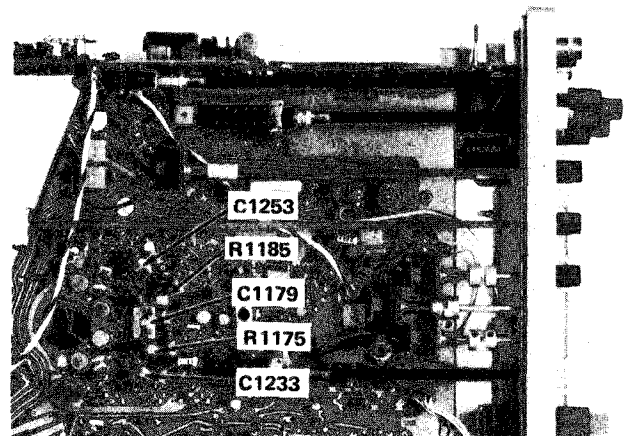


Fig. 5-27. Location of high-speed timing adjustments (except R1075).

Calibration-475

h. Select 2 ns time marks from the Time-Mark Generator.

i. CHECK-CRT display for 1 cycle/division, within 2% from +20°C to +30°C; 1 cycle/division, within 4% from -15°C to +55°C.

j. ADJUST-C1179 (see Fig. 5-27) with a low-capacitance screwdriver, for 1 cycle/division.

k. Set the A TIME/DIV switch to 0.01 μs.

l. CHECK-CRT display for 1 cycle/2 divisions, within 2% from +20°C to +30°C; 1 cycle/2 divisions, within 4% from -15°C to +55°C.

m. ADJUST-R1075 (see Fig. 5-28) with a low-capacitance screwdriver, for 1 cycle/2 divisions.

n. CAL AID-If the 2 ns timing is long and the 5 ns timing is short, decrease C1179 and increase C1233 or C1253.

NOTE

If timing cannot be adjusted to within 2% accuracy from +20°C to +30°C, or 4% accuracy from -15°C to +55°C, proceed to step 72. If timing is within the given accuracy, proceed with step 73.

72. Adjust High-Speed Timing-Current Probe Method

NOTE

The signal amplitudes given in this step are only approximations and should only be used as guides. It is desirable to obtain as flat and wide a current waveform as possible.

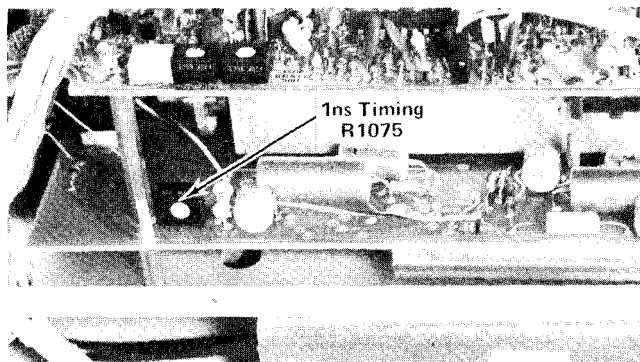


Fig. 5-28. Location of 1 nanosecond timing adjustment.

a. Set the A TIME/DIV switch to 0.05 μs and push the X10 MAG button in.

b. Select 5 ns time marks and 0.1 μs triggers from the Time-Mark Generator.

c. Connect a P6022 current probe with passive termination from the Test Oscilloscope.

d. Hook the current probe around the crossed horizontal deflection leads on the 475 (see Fig. 5-29).

e. Horizontally center the trace with the horizontal POSITION control.

f. Set the Test Oscilloscope: VOLTS/DIV switch to 5 mV, TIME/DIV switch to 0.5 μs, and the X10 MAG switch engaged.

g. CHECK-Test Oscilloscope for current waveform with approximately 16 mA amplitude.

h. ADJUST-(See Fig. 5-27), R1175 to midrange, R1185 to midrange, C1233 and C1253 half-closed, and C1179 one turn from fully clockwise.

i. ADJUST-R1175 and R1185 (see Fig. 5-27) for a symmetrical waveform similar to that in Fig. 5-30.

j. CAL AID-The small ringing is from the Time-Mark Generator. The top should be as flat and wide as possible. Since R1175 and R1185 have a greater effect on the 1 ns and 2 ns ranges, they will be adjusted again later in the step.

k. ADJUST-C1233 and C1253 (see Fig. 5-27) equally for 1 time marker/division.

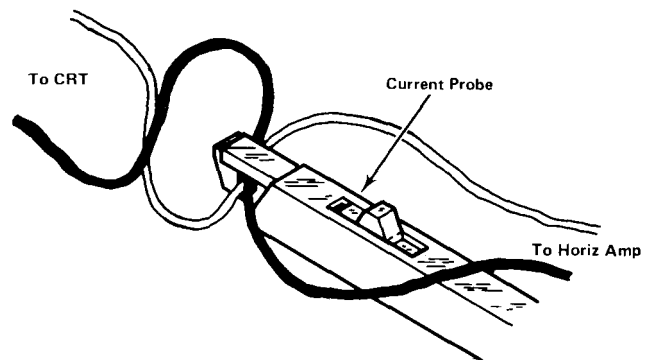


Fig. 5-29. Proper connection of current probe to horizontal deflection leads for high-speed timing calibration.

NOTE

C1253 may need to be closed more than C1233 to make the top of the waveform flatter on the 2 ns range.

l. Set the A TIME/DIV switch to 0.02 μ s and select 2 ns time marks from the Time-Mark Generator.

m. Set the Test Oscilloscope TIME/DIV switch to 0.2 μ s, and the VOLTS/DIV switch to 10 mV.

n. ADJUST-C1179 (see Fig. 5-27) for 1 time marker/division.

o. CHECK-Test Oscilloscope for a current waveform approximately 40 mA in amplitude.

p. Set the 475 A TIME/DIV switch to 0.01 μ s.

q. Set the Test oscilloscope TIME/DIV switch to 0.1 μ s, and the VOLTS/DIV switch to 20 mV.

r. ADJUST-R1075 for 1 time marker/2 divisions.

s. CHECK-Test oscilloscope for a current waveform approximately 80 mA in amplitude.

t. ADJUST-R1175 and R1185 for a symmetrical waveform with a flat top.

NOTE

Q1234 affects the flatness of the top of the waveform and should be changed if it is difficult to obtain a flat-top waveform.

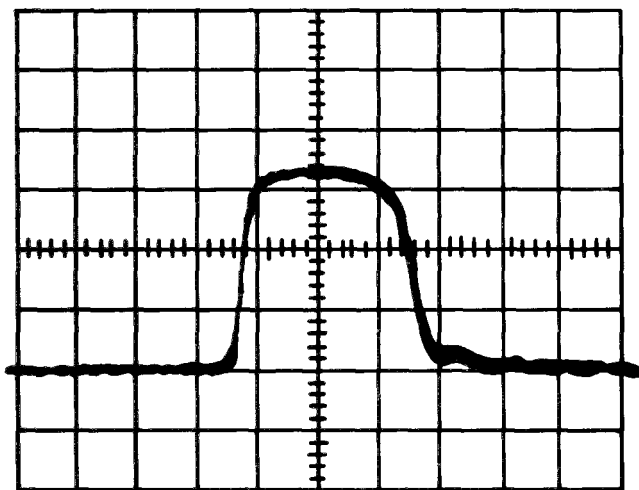


Fig. 5-30. Typical CRT display with high-speed timing adjustments preset.

v. CHECK-Timing error at 2 ns and 5 ns ranges.

NOTE

If 2 ns timing is long and 5 ns timing is short, decrease C1179 and increase C1233 and/or C1253.

w. INTERACTION-R1175 and R1185 should be readjusted for best symmetry and flatness on the 1 ns and 2 ns ranges if C1179, C1233, C1253, or R1075 is re-adjusted.

x. Remove the current probe, being sure not to spread the CRT horizontal deflection leads.

73. Check TIME/DIV Accuracy

a. CHECK-Using the A TIME/DIV switch and the Time-Mark Generator settings given in Table 5-7, check that A SWEEP timing is within the given tolerance.

TABLE 5-7
Timing Accuracy

A TIME/ DIV Switch Setting	Time- Mark Generator Output	CRT Display (markers/ division)	Accuracy	
			+20° C to +30° C	-15° C to +55° C
0.01 μ s	10 ns	1	1%	3%
0.02 μ s	10 ns	2	1%	3%
0.05 μ s	50 ns	1	1%	3%
0.1 μ s	0.1 μ s	1	1%	3%
0.2 μ s	0.1 μ s	2	1%	3%
0.5 μ s	0.5 μ s	1	1%	3%
1 μ s	1 μ s	1	1%	3%
2 μ s	1 μ s	2	1%	3%
5 μ s	5 μ s	1	1%	3%
10 μ s	10 μ s	1	1%	3%
20 μ s	10 μ s	2	1%	3%
50 μ s	50 μ s	1	1%	3%
0.1 ms	0.1 ms	1	1%	3%
0.2 ms	0.1 ms	2	1%	3%
0.5 ms	0.5 ms	1	1%	3%
1 ms	1 ms	1	1%	3%
2 ms	1 ms	2	1%	3%
5 ms	5 ms	1	1%	3%
10 ms	10 ms	1	2%	3%
20 ms	10 ms	2	2%	3%
50 ms	50 ms	1	2%	3%
0.1 s	0.1 s	1	2%	3%
0.2 s	0.1 s	2	2%	3%
0.5 s	0.5 s	1	2%	3%

74. Check A INTEN Timing Accuracy

a. Set the HORIZ DISPLAY switch to A INTEN.

b. CHECK-Using the A TIME/DIV switch and Time-Mark Generator settings given in Table 5-8, check that A INTEN timing is within the given tolerance.

TABLE 5-8

A Intensified Timing Accuracy

A TIME/ DIV Switch Setting	Time- Mark Generator Output	CRT Display (markers/ division)	Accuracy	
			+20° C to +30° C	+15° C to +55° C
0.05 μs	50 ns	1	2%	3%
0.1 μs	0.1 μs	1	2%	3%
0.2 μs	0.1 μs	2	2%	3%
0.5 μs	0.5 μs	1	2%	3%
1 μs	1 μs	1	2%	3%
2 μs	1 μs	2	2%	3%
5 μs	5 μs	1	2%	3%
10 μs	10 μs	1	2%	3%
20 μs	10 μs	2	2%	3%
50 μs	50 μs	1	2%	3%
0.1 ms	0.1 ms	1	2%	3%
0.2 ms	0.2 ms	2	2%	3%
0.5 ms	0.5 ms	1	2%	3%
1 ms	1 ms	1	2%	3%
2 ms	1 ms	1	2%	3%
5 ms	5 ms	1	2%	3%
10 ms	10 ms	1	2%	3%
20 ms	10 ms	2	2%	3%
50 ms	50 ms	1	2%	3%
0.1 s	0.1 s	1	2%	3%
0.2 s	0.1 s	2	2%	3%
0.5 s	0.5 s	1	2%	3%

75. Check Magnified Timing Accuracy

a. CHECK-Using the A TIME/DIV switch and the Time-Mark Generator settings given in Table 5-10, check that A magnified sweep timing is within the given tolerance. Note the portions of the total magnified sweep length to be excluded from the measurement.

76. Check Delay Time Accuracy

a. Set the HORIZ DISPLAY switch to B DLY'D, the A TIME/DIV switch to 0.05 μs, the B TIME/DIV switch to 0.01 μs and the B SOURCE switch to STARTS AFTER DELAY.

b. CHECK-Using the A TIME/DIV switch, the B TIME/DIV switch and the Time-Mark Generator settings given in Table 5-9, check that delayed sweep accuracy is within the given tolerance. First set the DELAY TIME POSITION dial to 1.00 and rotate the dial until the sweep starts at the top of the second time marker. Note the control setting, then set the dial to 2.00 and rotate it slightly until the sweep starts at the top of the third time marker. The error for intervals less than 1 dial division cannot exceed 0.01 dial division. Continue to rotate the DELAY TIME POSITION dial to check between the 1.00 and 9.00 settings for all A sweep speeds from 0.05 μs to 0.5 s. The difference between any two time markers greater than 1 dial division apart cannot exceed 1%.

NOTE

Sweep will start at the top of the third time marker at 1.00 and at the top of the nineteenth time marker at 9.00 for sweep rates which are multiples of 2 (e.g., 2 μs, 20 μs, 0.2 ms, etc.). If in doubt as to the correct setting of the DELAY TIME POSITION dial, set the HORIZ DISPLAY switch to A INTEN and check which time marker is intensified.

TABLE 5-9

Delayed Sweep Accuracy

A TIME/DIV Switch Setting	B TIME/DIV Switch Setting	Time-Mark Generator Output
0.05 μs	0.01 μs	0.05 μs
0.1 μs	0.01 μs	0.1 μs
0.2 μs	0.05 μs	0.1 μs
0.5 μs	0.05 μs	0.5 μs
1 μs	0.1 μs	1 μs
2 μs	0.1 μs	1 μs
5 μs	0.1 μs	5 μs
10 μs	1 μs	10 μs
20 μs	1 μs	10 μs
50 μs	1 μs	50 μs
0.1 ms	10 μs	0.1 ms
0.2 ms	10 μs	0.1 ms
0.5 ms	10 μs	0.5 ms
1 ms	0.1 ms	1 ms
2 ms	0.1 ms	1 ms
5 ms	0.1 ms	5 ms
10 ms	1 ms	10 ms
20 ms	1 ms	10 ms
50 ms	1 ms	50 ms
0.1 s	10 ms	0.1 s
0.2 s	10 ms	0.1 s
0.5 s	10 ms	0.5 s

TABLE 5-10
A and B Magnified Timing Accuracy

A TIME/DIV Switch Setting	Time-Mark Generator Output	CRT Display (Markers/ Division)	Portions of total magnified sweep length to exclude from measurement	Accuracy	
				+20° C to +30° C	-15° C to +55° C
0.01 μs	2 ns	2	First 25 ns and all beyond the 100 th magnified division.	2%	4%
0.02 μs	2 ns	1		2%	4%
0.05 μs	5 ns	1		2%	4%
0.1 μs	10 ns	1		2%	4%
0.2 μs	10 ns	2		2%	4%
0.5 μs	50 ns	1		2%	4%
1 μs	0.1 μs	1		2%	4%
2 μs	0.1 μs	2		2%	4%
5 μs	0.5 μs	1		2%	4%
10 μs	1 μs	1		2%	4%
20 μs	1 μs	2		2%	4%
50 μs	5 μs	1		2%	4%
0.1 ms	10 μs	1		2%	4%
0.2 ms	10 μs	2		2%	4%
0.5 ms	50 μs	1		2%	4%
1 ms	0.1 ms	1		2%	4%
2 ms	0.1 ms	2		2%	4%
5 ms	0.5 ms	1		2%	4%
10 ms	1 ms	1		3%	4%
20 ms	1 ms	2		3%	4%
50 ms	5 ms	1	3%	4%	

77. Check Delay Time Jitter

a. Set the DELAY TIME POSITION dial to 1.00, the HORIZ DISPLAY switch to B DLY'D, the A TIME/DIV switch to 1 ms, and the B TIME/DIV switch to 0.2 μs.

b. Position the time marker near the center of the display area with the DELAY TIME POSITION dial.

c. CHECK-Jitter on the leading edge of the time marker does not exceed 1 division.

d. Turn the DELAY TIME POSITION dial to 9.00 and adjust it so the time marker is displayed near the center of the display area.

e. CHECK-Jitter on the leading edge of the time marker does not exceed 1 division.

78. Check Mixed Sweep Timing Accuracy

a. Set the A TIME/DIV switch to 1 ms, the B TIME/DIV switch to 0.5 ms, the HORIZ DISPLAY switch to MIX, the

B SOURCE switch to STARTS AFTER DELAY, and the DELAY TIME POSITION dial fully clockwise.

b. Select 1 ms time marks from the Time-Mark Generator.

c. CHECK-The timing between first and eleventh time markers is within ±0.3 division.

NOTE

Exclude the first 0.5 division of sweep after the display start and the first 0.2 division, or 0.1 μs (whichever is greater) after the transition of A to B.

d. Disconnect the test setup.

79. Adjust X Gain

a. Set the A TIME/DIV switch to X-Y, the VERT MODE switch to CH 2, both VOLTS/DIV switches to 5 mV, and the CH 1 AC-GND-DC switch to DC.

Calibration-475

b. Apply a 20 mV square wave from the Standard Amplitude Calibrator to the Ch 1 or X input through a 42-inch 50 Ω BNC cable.

c. CHECK-CRT display for 4 divisions of deflection between the two displayed dots, within 3%.

d. ADJUST-X-Gain adjustment, R1102 (see Fig. 5-31) for exactly four divisions of deflection between the two dots displayed on the CRT.

e. Disconnect the test setup.

80. Adjust X-Y Phasing and Bandwidth

a. Set both VOLTS/DIV switches to 5 mV and both AC-GND-DC switches to AC.

b. Connect the output of the Medium-Frequency Constant-Amplitude Signal Generator (Type 191) to the CH 1 and CH 2 inputs through a GR-to-BNC adapter, a 42-inch 50 Ω BNC cable, 50 Ω BNC termination, and a dual input coupler.

c. Adjust the Medium-Frequency signal generator for an eight division horizontal display of 50 kilohertz signal.

d. Center the display vertically and horizontally with the CH 1 and CH 2 POSITION controls.

e. CHECK-CRT display for an opening at the center horizontal line of 0.14 division or less

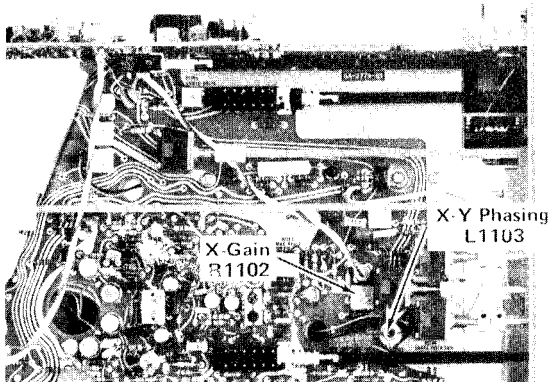


Fig. 5-31. Location of X Gain and X-Y Phasing adjustments.

f. Increase the output frequency of the Medium-Frequency signal generator to 2 megahertz.

g. CHECK-CRT display for an opening at the center horizontal line of 0.42 division or less.

h. ADJUST-L1103 (see Fig. 5-31), for maximum closing of the display.

i. Remove the dual input coupler from the test setup.

j. Reconnect the test signal to the CH 1 input.

k. Adjust the signal generator for a 4 division horizontal display of 50 kilohertz signal.

l. Increase the output frequency of the signal generator until the display is reduced to 2.8 divisions.

m. CHECK-Output frequency of the signal generator is at least 3 megahertz.

n. Disconnect the test setup.

81. Check B ENDS A Operation

a. Set the HORIZ DISPLAY switch to A INTEN, the A TIME/DIV switch to 1 ms, the B TIME/DIV switch to 0.1 ms, and the A TRIG HOLDOFF control to B ENDS A.

b. Adjust the INTENSITY control so that the A sweep is visible.

c. Rotate the DELAY TIME POSITION dial through its range.

d. CHECK—A Sweep ends after the intensified portion at all settings of the DELAY TIME POSITION dial settings.

82. Check A TRIG HOLDOFF Operation

a. Set the HORIZ DISPLAY switch to A, the A TIME/DIV switch to 50 μ s, and the A TRIG HOLDOFF control fully counterclockwise.

b. Connect the +A GATE output signal to the Test Oscilloscope via a 42-inch 50 Ω BNC cable.

c. Set the Test Oscilloscope TIME/DIV switch so that the bottom portion of the waveform (holdoff time of the +A GATE) is slightly less than one division.

e. CHECK-For at least nine times increase in the holdoff time of the +A GATE.

d. Rotate the A TRIG HOLDOFF control clockwise (not into the B ENDS A detent).

f. Set the A TRIG HOLDOFF control fully counter-clockwise.

**CALIBRATOR, + GATES, AND
EXT Z-AXIS CALIBRATOR**

Equipment Required	
1. Medium-Frequency Constant-Amplitude Signal Generator (Type 191)	4. BNC-T Connector
2. Precision DC Voltmeter	5. 42-inch 50 Ω BNC Cable (two)
3. GR-to-BNC Female Adapter	6. Three-inch Screwdriver

Control Settings

Preset instrument controls to the settings given under Preliminary Control Settings.

83. Adjust CALIBRATOR Amplitude

a. Connect the Precision DC Voltmeter between the CALIBRATOR current loop and ground.

b. Short the emitter and base of Q1504 together (see Fig. 5-32).

c. CHECK-For a meter reading of +0.3 volt, within 3mV.

d. ADJUST-Calibrator Amplitude adjustment, R1515 (see Fig. 5-32) for +0.3 volt, within 1% from 0°C to +40°C; for +0.3 volt, within 1.5% from -15°C to +55°C.

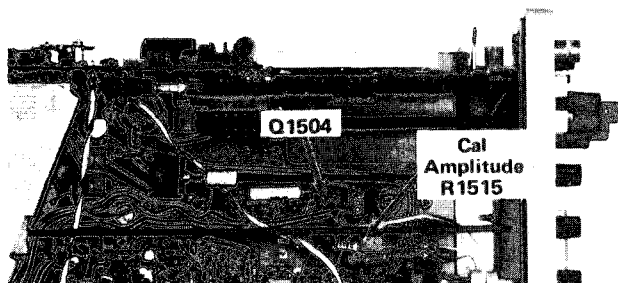


Fig. 5-32. Location of 01504 and Calibrator amplitude adjustment.

e. Remove the Precision DC Voltmeter connections and the short between emitter and base of 01504.

84. Check A and B + GATE Outputs

a. Set the DELAY TIME POSITION dial fully counter-clockwise, the HORIZ DISPLAY switch to B DLY'D, the B SOURCE switch to STARTS AFTER DELAY, the B TIME/DIV switch to 50 μs, and the TRIG MODE to AUTO.

b. Connect the B + GATE output signal to the Test Oscilloscope via a 42-inch 50Ω BNC cable.

c. CH EC K-Test Oscilloscope for a positive-going pulse +5.5 volts in amplitude (within 0.5 V).

d. Remove the B + GATE output signal and connect the A + GATE output signal to the Test Oscilloscope.

e. CHECK-Repeat step 84-c.

f. Disconnect the test setup.

85. Check EXT Z-AXIS Operation

a. Set the HORIZ DISPLAY switch to A, the A TIM E/DIV switch to 0.2 ms, and the A SOURCE switch to NORM.

Calibration-475

b. Set the INTENSITY control for a normal viewing level.

c. Connect the Medium-Frequency Constant-Amplitude Signal Generator (Type 191) to the CH 1 input and the EXT Z-AXIS input (on the rear panel) via a GR-to-BNC adapter, a BNC-T connector, and two 42-inch 50 Ω BNC cables.

d. Adjust the Medium -Frequency signal generator for a 5 volt (peak-to-peak) 50 kilohertz signal.

e. CHECK-CRT display for noticeable intensity modulation of the positive peaks.

f. Disconnect the test setup.

REPLACEABLE ELECTRICAL PARTS

PARTS ORDERING INFORMATION

Replacement parts are available from or through your local Tektronix, Inc. Field Office or representative.

Changes to Tektronix instruments are sometimes made to accommodate improved components as they become available, and to give you the benefit of the latest circuit improvements developed in our engineering department. It is therefore important, when ordering parts, to include the following information in your order: Part number, instrument type or number, serial number, and modification number if applicable.

If a part you have ordered has been replaced with a new or improved part, your local Tektronix, Inc. Field Office or representative will contact you concerning any change in part number.

Change information, if any, is located at the rear of this manual.

SPECIAL NOTES AND SYMBOLS

X000 Part first added at this serial number
00X Part removed after this serial number

ITEM NAME

In the Parts List, an Item Name is separated from the description by a colon (:). Because of space limitations, an Item Name may sometimes appear as incomplete. For further Item Name identification, the U.S. Federal Cataloging Handbook H6-1 can be utilized where possible

ABBREVIATIONS

ACTR	ACTUATOR	PLSTC	PLASTIC
ASSY	ASSEMBLY	QTZ	QUARTZ
CAP	CAPACITOR	RECP	RECEPTACLE
CER	CERAMIC	RES	RESISTOR
CKT	CIRCUIT	RF	RADIO FREQUENCY
COMP	COMPOSITION	SEL	SELECTED
CONN	CONNECTOR	SEMICOND	SEMICONDUCTOR
ELCTLT	ELECTROLYTIC	SENS	SENSITIVE
ELEC	ELECTRICAL	VAR	VARIABLE
INCAND	INCANDESCENT	WW	WIREWOUND
LED	LIGHT EMITTING DIODE	XFMR	TRANSFORMER
NONWIR	NON WIREWOUND	XTAL	CRYSTAL

CROSS INDEX MFR. CODE NUMBER TO MANUFACTURER

MFR.CODE	MANUFACTURER	ADDRESS	CITY.STATE.ZIP
0000C	Gettig Engineering and Manufacturing Co.		Springmill, PA 16875
00656	Aerovox Corp.	740 Belleville Ave.	New Bedford, MA 02741
00853	Sangamo Electric Co. , S. Carolina Div.	P. O. Box 128	Pickens, SC 29671
01002	General Electric Co. , Industrial and Power Capacitor Products Dept.	John St.	Hudson Falls, NY 12839
01121	Allen-Bradley Co.	1201 2nd St. South	Milwaukee, WI 53204
01281	TRW Electronic Components, Semiconductor Operations	14520 Aviation Blvd.	Lawndale, CA 90260
01295	Texas Instruments, Inc. , Semiconductor Group	P. O. Box 5012	Dallas , TX 75222
02111	Spectrol Electronics Corp.	17070 East Gale Ave.	City of Industry, CA 91745
02735	RCA Corp. , Solid State Division	Route 202	Somerville, NY 08876
03508	General Electric Co. , Semi-Conductor Products Dept.	Electronics Park	Syracuse, NY 13201
03877	Transitron Electronic Corp.	168 Albion St.	Wake field, MA 01880
04713	Motorola, Inc. , Semiconductor Products Div.	5005 E. McDowell Rd.	Phoenix, AZ 85036
07263	Fairchild Semiconductor, A Div. of Fairchild Camera and Instrument Corp.	464 Ellis St.	Mountain View, CA 94042
07910	Teledyne Semiconductor	12515 Chadron Ave.	Hawthorne, CA 90250
08806	General Electric Co. , Miniature Lamp Products Dept.	Nela Pk.	Cleveland, OH 44112
09353	C and K Components, Inc.	103 Morse Street	Watertown, MA 02172
12040	National Semiconductor Corp.	Commerce Drive	Danbury, CT 06810
12697	Clarostat Mfg. Co. , Inc.	Lower Washington St.	Dover, NH 03820
12969	Unitrode Corp.	580 Pleasant St.	Watertown, MA 02172
13715	Fairchild Semiconductor, A Div. of Fairchild Camera and Instrument Corp.	4300 Redwood Hwy.	San Rafael, CA 94903
14099	Semtech Corp.	652 Mitchell Road	Newbury Park, CA 91320
14193	Cal-R, Inc.	1601 Olympic Blvd.	Santa Monica, CA 90404
14936	General Instrument Corp. , Semiconductor Products Group	600 W. John St.	Hicksville, NY 11802
18324	Signetics Corp.	811 E. Arques	Sunnyvale, CA 94086
21845	Solitron Devices, Inc. , Transistor Div.	1177 Blue Heron Blvd.	Riviera Beach, FL 33404
24211	Grigsby-Barton Inc.	3800 Industrial Drive	Rolling Meadows, IL 60008
24931	Specialty Connector Co. , Inc.	3560 Madison Ave.	Indianapolis, IN 46227
25088	Siemens Corp.	186 Wood Ave. S	Iselin, NJ 08830
27014	National Semi-Conductor Corp.	2900 San Ysidro Way	Santa Clara, CA 95051
28480	Hewlett-Packard Co. , Corporate Hq.	1501 Page Mill Rd.	Palo Alto, CA 94304
50157	N. L. Industries, Inc. , Electronics Dept.	P. O. Box 787	Muskegon, MI 49443
56289	Sprague Electric Co.		North Adams, MA 01247
71400	Bussman Mfg. , Division of McGraw-Edison Co.	2536 W. University St.	St. Louis, MO 63107
71590	Centralab Electronics, Div. of Globe-Union, Inc.	5757 N. Green Bay Ave.	Milwaukee, WI 53201
72136	Electro Motive Corp. , Sub of International Electronics Corp.	South Park and John Streets	Willimantic, CT 06226
72982	Erie Technological Products, Inc.	644 W. 12th St.	Erie, PA 16512
73138	Beckman Instruments, Inc. , Helipot Div.	2500 Harbor Blvd.	Fullerton, CA 92634
73445	Amperex Electronic Corp.	230 Duffy Ave.	Hicksville, L. I. , NY 11802
74970	Johnson, E. F. , Co.	299 10th Ave. S. W.	Waseca, MN 56093
75042	TRW Electronic Components, IRC Fixed Resistors, Philadelphia Division	401 N. Broad St.	Philadelphia, PA 19108
76493	Bell Industries, Inc. , Miller, J. W. , Div.	19070 Reyes Ave.	Compton, CA 90224
78488	Stackpole Carbon Co.		St. Marys, PA 15857
80009	Tektronix, Inc.	P. O. Box 500	Beaverton, OR 97077
80294	Bourns, Inc. , Instrument Div.	6135 Magnolia Ave.	Riverside, CA 92506
80740	Beckman Instruments, Inc.	2500 Harbor Blvd.	Fullerton, CA 92634
81483	International Rectifier Corp.	9220 Sunset Blvd.	Los Angeles, CA 90069
82389	Switchcraft, Inc.	5555 N. Elston Ave.	Chicago, IL 60630
90201	Mallory Capacitor Co. , Div. of P. R. Mallory Co. , Inc.	3029 E. Washington St.	Indianapolis, IN 46206
91637	Dale Electronics, Inc.	P. O. Box 609	Columbus, NB 68601
91674	Erie Electric Mfg. Corp.	3602 W. 23rd St.	Erie, PA 16505
91929	Honeywell, Inc. , Micro Switch Div.	Chicago & Spring Sts.	Freeport, IL 61032
93410	Essex International, Inc. , Controls Div. Mansfield Plant	P. O. Box 1007	Mansfield, OH 44903

Ckt No.	Tektronix Part No.	Serial/Model No. Eff	Dscont	Name & Description	Mfr Code	Mfr Part Number
A1	670-2100-00	B010100	B208099	CKT BOARD ASSY:CH 1 ATTENUATOR	80009	670-2100-00
A1	670-3120-00	B208100		CKT BOARD ASSY:CH 1 ATTENUATOR	80009	670-3120-00
A2	670-2100-00	B010100	B208099	CKT BOARD ASSY:CH 2 ATTENUATOR	80009	670-2100-00
A2	670-3120-00	B208100		CKT BOARD ASSY:CH 2 ATTENUATOR	80009	670-3120-00
A3	670-2240-00	B010100	B099999	CKT BOARD ASSY:VERT PREAMPL	80009	670-2240-00
A3	670-2240-01	B010000	B174842	CKT BOARD ASSY:VERT PREAMPL	80009	670-2240-01
A3 ¹	670-2240-02	B174843		CKT BOARD ASSY:VERT PREAMPL	80009	670-2240-02
A4	670-2243-00	B010100	B208099	CKT BOARD ASSY:VERT MODE GAIN SW	80009	670-2243-00
A4	670-2243-01	B208100		CKT BOARD ASSY:VERT MODE GAIN SW	80009	670-2243-01
A5	670-2242-00	B010100	B217749	CKT BOARD ASSY:VERT OUTPUT	80009	670-2242-00
A5	670-2242-01	B217750		CKT BOARD ASSY:VERT OUTPUT	80009	670-2242-01
A6	670-2245-00			CKT BOARD ASSY:FAN MOTOR	80009	670-2245-00
A7	670-2244-00	B010100	B179999	CKT BOARD ASSY:TIMING	80009	670-2244-00
A7	670-2244-01	B180000		CKT BOARD ASSY:TIMING	80009	670-2244-01
A8	670-2241-00	B010100	B169999	CKT BOARD ASSY:TRIGGER GEN AND Z-AXIS LOGIC	80009	670-2241-00
A8	670-2241-01	B170000		CKT BOARD ASSY:TRIGGER GEN AND Z-AXIS LOGIC	80009	670-2241-01
A9	670-2239-00	B010100	B079999	CKT BOARD ASSY:INTERFACE	80009	670-2239-00
A9	670-2239-01	B080000	B169999	CKT BOARD ASSY:INTERFACE	80009	670-2239-01
A9	670-2239-06	B170000	B179999	CKT BOARD ASSY:INTERFACE	80009	670-2239-06
A9	670-2239-04	B180000		CKT BOARD ASSY:INTERFACE	80009	670-2239-04
A10	670-2279-00			CKT BOARD ASSY:GRATICULE ILLUM	80009	670-2279-00
B1690	147-0035-00			MOTOR,DC:BRUSHLESS ,10-15VDC,145MA	25088	1AD3001-0A
C10	281-0064-00			CAP. ,VAR, PLSTC :0. 25-1 .5 PF,600V	72982	530-002
C11	283-0000-00			CAP. ,FXD,CER DI:0.001UF,+100-0%,500V	72982	831-516E102P
C12	285-0816-01			CAP. ,FXD,PLSTC :0.19UF,10%,600V	80009	285-0816-01
C13	283-0000-00			CAP. ,FXD,CER DI:0.001UF,+100-0%,500V	72982	831-516E102P
C30	(2) 307-1014-01			ATTENUATOR , FXD : 100X	80009	307-1014-01
C31						
C32	(2) 307-1013-01			ATTENUATOR,FXD : 10X	80009	307-1013-01
C33						
C34	(2) 307-1011-00			ATTENUATOR , FXD : 4X	80009	307-1011-00
C35						
C36	(2) 307-1010-01			ATTENUATOR , FXD : 2X	80009	307-1010-01
C37						
C41	283-0156-00			CAP. ,FXD,CER DI:1000PF,+100-0%,200V	72982	8111A208E102Z
C50	281-0064-00			CAP. ,VAR,PLSTC :0.25-1.5PF,600V	72982	530-002
C51	283-0000-00			CAP. ,FXD, CER DI:0. 001UF,+1 00-0%,500V	72982	831-516E102P
C52	285-0816-01			CAP. ,FXD,PLSTC :0.19UF,10%,600V	80009	285-0816-01
C53	283-0000-00			CAP. ,FXD,CER DI:0.001UF,+100-0%,500V	72982	831-516E102P
C61	283-0156-00			CAP. ,FXD,CER DI:1000PF,+100-0%,200V	72982	8111A208E102Z
C104	281-0619-00	B010100	B010309	CAP. ,FXD, CER DI:1.2PF, +/-0.1PF,200V	72982	374-000COK0129B
C104	281-0064-00	B010310		CAP. ,VAR, PLSTC :0. 25-1 .5 PF,600V	72982	530-002
C105	283-0080-00			CAP. ,FXD,CER DI:0.022UF,+80-20 %,25V	56289	19C611
C107	283-0111-00			CAP. ,FXD,CER DI:0.1UF,20%,50V	72982	8131N075651104M
C109	283-0238-00	B010100	B049999	CAP. ,FXD,CER DI :0. 01UF,10%,50V	72982	8121N071WR5103K
C109	283-0238-00	B050000	B099999	CAP. ,FXD,CER DI:0.01UF, (NOM VALUE) ,SEL	72982	8121N071WR5103K
C109	283-0191-00	B100000		CAP. ,FXD,CER DI:0.022UF,20%,50V	72982	8121N063651223M
C112	281-0123-00	B010100	B099999	CAP. ,VAR, CER DI:5-25PF, 100V	72982	518-000A5-25
C112	281-0122-00	B100000		CAP. ,VAR,CER DI :2.5 -9PF,100V	72982	518-000A2.5-9
C113	283-0156-00			CAP. ,FXD, CER DI : 1000PF, +1 00-0%, 200V	72982	8111A208E102Z
C119	283-0191-00			CAP. ,FXD,CER DI:0.022UF,20%,50V	72982	8121N063651223M
C123	283-0080-00	XB050000		CAP. ,FXD,CER DI:0.022UF,+80-20%,25V	56289	19C611
C127	283-0080-00	XB050000		CAP. ,FXD,CER DI:0.022UF,+80-20 %,25V	56289	19C611

Option 7 only.

Electrical Parts List-475

Ckt No	Tektronix Part No.	Serial/Model No.		Name & Description	Mfr Code	Mfr Part Number
		Eff	Dscont			
C133	281-0123-00			CAP.,VAR, CER DI:5-25PF,100V	72982	518-000A5-25
C136	283-0213-00			CAP.,FXD, CER DI:300PF,5%,100V	72982	8121 N130C0G301J
C137	283-0178-00			CAP.,FXD, CER DI:0.1UF,+80-20%,100V	72982	8131 N145651104Z
C138	283-0177-00			CAP.,FXD, CER DI:1UF,+80-20%,25V	72982	8131 N039651105Z
C139	283-0268-00	B010100	B099999	CAP.,FXD, CER DI:0.015UF,10%,50V	72982	8131 N075W5R153K
C139	283-0238-00	B100000		CAP.,FXD,CER DI:0.01UF,10%,50V	72982	8121 N071WR5103K
C142 ¹						
C144	290-0534-00			CAP.,FXD,ELCTLT:1UF,20%,35V	56289	196 D105X0035HA1
C147 ¹						
C151 ¹						
C152 ¹						
C153	283-0186-00	B010100	B029999	CAP.,FXD, CER DI:27PF,5%,50V	72982	8121B070C0G270J
C153	281-0504-00	B030000		CAP.,FXD, CER DI:10PF,(NOM VALUE),SEL	72982	301-000C0G0100F
C157	290-0534-00			CAP.,FXD, ELCTLT:1UF,20%,35V	56289	196 D105X0035HA1
C158	283-0156-00	XB030000		CAP.,FXD, CER DI:1000PF,+100-0%,200V	72982	8111A208E102Z
C172	283-0103-00			CAP.,FXD, CER DI:180PF,5%,500V	56289	40C638
C175	281-0123-00			CAP.,VAR, CER DI:5-25PF,100V	72982	518-000A5-25
C182	283-0103-00			CAP.,FXD, CER DI:180PF,5%,500V	56289	40C638
C204	281-0619-00	B010100	B010309	CAP.,FXD, CER DI:1.2PF,+/-0.1PF,200V	72982	374-000C0K0129B
C204	281-0064-00	B010300		CAP.,VAR, PLSTC:0.25-1.5PF,600V	72982	530-002
C205	283-0080-00			CAP.,FXD, CER DI:0.022UF,+80-20%,25V	56289	19C611
C207	283-0111-00			CAP.,FXD,CER DI:0.1UF,20%,50V	72982	8131 N075651104M
C209	283-0238-00	B010100	B049999	CAP.,FXD,CER DI:0.01UF,10%,50V	72982	8121N071WR5103K
C209	283-0238-00	B050000	B099999	CAP.,FXD, CER DI:0.01UF,(NOM V ALUE),SEL	72982	8121N071WR5103K
C209	283-0191-00	B100000		CAP.,FXD, CER DI:0.022UF,20%,50V	72982	8121 N063651223M
C212	281-0123-00	B010100	B099999	CAP.,VAR, CER DI:5-25PF,100V	72982	518-000A5-25
C212	281-0122-00	B100000		CAP.,VAR, CER DI:2.5-9PF,100V	72982	518-000A2.5-9
C213	283-0156-00			CAP.,FXD,CER DI:1000PF,+100-0%,200V	72982	8111A208E102Z
C219	283-0191-00			CAP.,FXD,CER DI:0.022UF,20%,50V	72982	8121N063651223M
C223	283-0080-00	XB050000		CAP.,FXD,CER DI:0.022UF,+80-20%,25V	56289	19C611
C227	283-0080-00	XB050000		CAP.,FXD,CER DI:0.022UF,+80-20%,25V	56289	19C611
C233	281-0123-00			CAP.,VAR,CER DI:5-25PF,100V	72982	518-000A5-25
C236	283-0213-00			CAP.,FXD, CER DI:300PF,5%,100V	72982	8121 N130C0G301J
C237	283-0178-00			CAP.,FXD, CER DI:0.1UF,+80-20%,100V	72982	8131 N145651104Z
C238	283-0177-00			CAP.,FXD,CER DI:1UF,+80-20%,25V	72982	8131N039651105Z
C239	283-0268-00	B010100	B099999	CAP.,FXD,CER DI:0.015UF,10%,50V	72982	8131N075W5R153K
C239	283-0238-00	B100000		CAP.,FXD,CER DI:0.01UF,10%,50V	72982	8121N071WR5103K
C242 ¹						
C244	290-0534-00			CAP.,FXD, ELCTLT:1UF,20%,35V	56289	196 D105X0035HA1
C247 ¹						
C251 ¹						
C252 ¹						
C253	283-0186-00	B010100	B029999	CAP.,FXD,CER DI:27PF,5%,50V	72982	8121 B070C0G270J
C253	281-0578-00	B030000		CAP.,FXD,CER DI:18PF,(NOM VALUE),SEL	72982	301-000 C0G0180J
C257	290-0534-00			CAP.,FXD, ELCTLT:1UF,20%,35V	56289	196 D105X0035HA1
C258	283-0156-00	XB050000		CAP.,FXD, CER DI:1000PF,+100-0%,200V	72982	8111 A208E102Z
C272	283-0103-00			CAP.,FXD, CER DI:180PF,5%,500V	56289	40C638
C275	281-0123-00			CAP.,VAR, CER DI:5-25PF,100V	72982	518-000A5-25
C282	283-0103-00			CAP.,FXD,CER DI:180PF,5%,500V	56289	40C638
C291	290-0525-00			CAP.,FXD, ELCTLT:4.7UF,20%,50V	56289	196 D475X0050KA1
C292	290-0523-00			CAP.,FXD, ELCTLT:2.2UF,20%,20V	56289	196 D225X0025HA1
C297	290-0523-00			CAP.,FXD,ELCTLT:2.2UF,20%,20V	56289	196 D225X0025HA1
C310	283-0000-00			CAP.,FXD,CER DI:0.001UF,+100-0%,500V	72982	831-516E102P
C320	283-0000-00			CAP.,FXD,CER DI:0.001UF,+100-0%,500V	72982	831-516E102P
C329	283-0024-00	XB030000		CAP.,FXD,CER DI:0.1UF,+80-20%,30V	56289	273C16

¹Part of Circuit Board.

Electrical Parts List-475

Ckt No.	Tektronix Part No.	Serial/Model No. Eff	Dscont	Name & Description	Mfr Code	Mfr Part Number
C335	283-0632-00	B010100	B010274	CAP.,FXD,MICA D:87PF,1%,100V	00853	D151E870F0
C335	283-0677-00	B010275		CAP.,FXD, MICA D:82PF,1%,500V	00853	D155E820F0
C336	283-0632-00	B010100	B010274	CAP.,FXD, MICA D:87PF,1%,100V	00853	D151E870F0
C336	283-0677-00	B010275		CAP.,FXD, MICA D:82PF,1%,500V	00853	D155E820F0
C338 ¹	281-0504-00	XB174843		CAP.,FXD, CER DI:10PF, +/-1PF,500V	72982	301-000COG0100F
C343	281-0549-00			CAP.,FXD,CER DI:68PF,10%,500V	72982	301-000U2J0680K
C346	281-0543-00			CAP.,FXD, CER DI:270PF,10%,500V	72982	301-055X5P1271K
C375	281-0544-00	B010100	B099999X	CAP.,FXD, CER DI:5.6PF, 10%,500V	72982	301-000COH0569D
C376	281-0589-00	B010100	B099999X	CAP.,FXD,CER DI:170PF,5%,500V	72982	301-057Z5D0171J
C377	281-0564-00	XB100000		CAP.,FXD, CER DI:24PF,5%,500V	72982	301-000COG0240J
C378	283-0640-00	XB100000		CAP.,FXD,MICA D:160PF,1%,100V	00853	D151E161F0
C393	281-0610-00	B010100	B010309	CAP.,FXD,CER DI:2.2PF,+/-0.1PF,500V	72982	374-001C0J0229B
C393	281-0659-00	B010310		CAP.,FXD,CER DI:4.3PF,+/-0.25PF,500V	72982	301-000COH0439C
C394	281-0547-00	XB120000		CAP.,FXD,CER DI:2.7PF,10%,500V	72982	301-000COJ0279C
C396	290-0534-00			CAP.,FXD,ELCTLT:1UF,20%,35V	56289	196D105X0035HA1
C398	281-0518-00	B010100	B010309	CAP.,FXD, CER DI:47PF, +/-9.4PF,500V	72982	301-000U2J0470M
C398	281-0511-00	B010310	B099999	CAP.,FXD,CER DI:22PF,+/-2.2PF,500V	72982	301-000COG0220K
C398	281-0628-00	B100000		CAP.,FXD,CER DI:15PF,5%,600V	72982	301-000COG0150G
C399	281-0508-00			CAP.,FXD,CER DI:12PF,+/-0.6PF,500V	72982	301-000COG0120J
C403	290-0534-00			CAP.,FXD, ELCTLT:1UF,20%,35V	56289	196D105X0035HA1
C420	281-0544-00	B010100	B061110	CAP.,FXD,CER DI:5.6PF,10%,500V	72982	301-000COH0569D
C420	281-0547-00	B061111		CAP.,FXD,CER DI:2.7PF,10%,500V	72982	301-000COJ0279C
C430	290-0534-00			CAP.,FXD,ELCTLT:1UF,20%,35V	56289	196D105X0035HA1
C436	283-0080-00			CAP.,FXD,CER DI:0.022UF,+80-20%,25V	56289	19C611
C437	283-0080-00			CAP.,FXD,CER DI:0.022UF,+80-20%,25V	56289	19C611
C438	290-0534-00			CAP.,FXD, ELCTLT:1UF,20%,35V	56289	196D105X0035HA1
C439	290-0534-00			CAP.,FXD, ELCTLT:1UF,20%,35V	56289	196D105X0035HA1
C441 ²						
C445 ²						
C450	281-0122-00			CAP.,VAR,CER DI:2.5-9PF,100V	72982	518-000A2.5-9
C454	283-0058-00			CAP.,FXD,CER DI:0.027UF,10%,100V	72982	8131N147W5R273K
C455	283-0180-00			CAP.,FXD, CER DI:5600PF,20%,200V	72982	8121 N204651562M
C460	283-0111-00			CAP.,FXD,CER DI:0.1UF,20%,50V	72982	8131 N075651104M
C466	281-0122-00			CAP.,VAR,CER DI:2.5-9PF,100V	72982	518-000A2.5-9
C470	281-0122-00			CAP.,VAR, CER DI:2.5-9PF,100V	72982	518-000A2.5-9
C471	281-0097-00			CAP.,VAR,CER DI:9-35PF	72982	538-006E2P094R
C472	281-0558-00	XB090000	B199999	CAP.,FXD,CER DI:18PF,500V	91674	301000COG180K
C472	281-0613-00	B200000		CAP.,FXD,CER DI:10PF, (NOM VALUE),SEL	91674	374001COG100F
C475	283-0116-00			CAP.,FXD, CER DI:820PF,5%,500V	72982	801-547B821J
C476	283-0139-00			CAP.,FXD, CER DI:150PF,20%,50V	72982	8101-050X5F151M
C477	281-0122-00	B010100	B089999	CAP.,VAR,CER DI:2.5-9PF,100V	72982	518-000A2.5-9
C477	281-0123-00	B090000		CAP.,VAR, CER DI:5-25PF,100V	72982	518-000A5-25
C485	283-0111-00			CAP.,FXD, CER DI:0.1UF,20%,50V	72982	8131N075651104M
C486	281-0523-00			CAP.,FXD, CER DI:100PF, +/-2 0PF,350V	72982	301-000U2M0101M
C491	283-0067-00			CAP.,FXD,CER DI:0.001UF,10%,200V	72982	835-515 B 102K
C494	283-0198-00	B010100	B049999X	CAP.,FXD, CER DI:0.22UF,20%,50V	72982	8131N075651224M
C494A	283-0198-00	XB050000		CAP.,FXD, CER DI:0.22UF,20%,50V	72982	8131N075651224M
C494B ³	283-0341-00	XB050000		CAP.,FXD,CER DI:0.047UF,10%,100V	72982	8131N145W5R473K
C498	283-0111-00			CAP.,FXD,CER DI:0.1UF,20%,50V	72982	8131N075651104M
C499	283-0111-00			CAP.,FXD, CER DI:0.1UF,20%,50V	72982	8131N075651104M
C500	281-0508-00	B010100	B218999	CAP.,FXD,CER DI:12PF,+/-0.6PF,500V	72982	301-000COG0120J
C500	281-0511-00	B219999		CAP.,FXD,CER DI:22PF, +/-2.2 PF,500V	72982	301- 00 0C0G0220K
C504	290-0524-00			CAP.,FXD, ELCTLT:4.7UF,20%,10V	90201	TDC475M010EL
C506	283-0081-00			CAP.,FXD,CER DI:0.1UF,+80-20%,25V	56289	36C600
C507	281-0546-00			CAP.,FXD,CER DI:330PF,10%,500V	72982	301-000X5P0331K
C508	283-0081-00			CAP.,FXD, CER DI:0.1UF,+80-20%,25V	56289	36C600

¹Option 7 only.

²Part of Circuit Board.

³Selected and added if necessary.

Electrical Parts List-475

Ckt No.	Tektronix Part No.	Serial/Model No. Eff	Dscont	Name & Description	Mfr Code	Mfr Part Number
	281-0508-00	B010100	B218999	CAP.,FXD,CER DI:12PF,+/-0.6PF,500V	72982	301-000COG0120J
C509	281-0511-00	B219000		CAP.,FXD,CER DI:22PF,+/-2.2 PF,500V	72982	301-000COG0220K
C510	281-0505-00			CAP.,FXD,CER DI:12PF,+/-1.2PF,500V	72982	301-002 COG0120K
C511	281-0572-00	B010100	B149999	CAP.,FXD,CER DI:6.8PF,+/-0.5PF,500V	72982	301-000COH0689D
C511 ¹	281-0662-00	B150000		CAP.,FXD,CER DI:10PF,+/-0.5PF,500V	72982	301-000H3M0100D
C515	281-0523-00	B010100	B059999	CAP.,FXD,CER DI:100PF,+/-20PF,350V	72982	301-000U2M0101M
C515	281-0605-00	B060000		CAP.,FXD,CER DI:200PF,10%,500V	72982	301-000Y5D0201K
C516	283-0003-00			CAP.,FXD,CER DI:0.01UF,+80-20%,150V	72982	855-547E103Z
C517	281-0579-00	B010100	B059999X	CAP.,FXD,CER DI:21PF,5%,500V	72982	301-050COG0210J
C519	290-0524-00			CAP.,FXD,ELCTLT:4.7UF,20%,10V	90201	TDC475M010EL
C520	281-0508-00	B010100	B218999	CAP.,FXD,CER DI:12PF,+/-0.6PF,500V	72982	301-000COG0120J
C520	281-0511-00	B219000		CAP.,FXD,CER DI:22PF,+/-2.2 PF,500V	72982	301-000COG0220K
C521	283-0003-00			CAP.,FXD,CER DI:0.01UF,+80-20%,150V	72982	855-547E103Z
C524	283-0003-00			CAP.,FXD,CER DI:0.01UF,+80-20%,150V	72982	855-547E103Z
C525	283-0003-00			CAP.,FXD,CER DI:0.01UF,+80-20%,150V	72982	855-547E103Z
C526	281-0601-00			CAP.,FXD,CER DI:7.5PF,500V	91674	301 000COH759D
C543	283-0003-00			CAP.,FXD,CER DI:0.01UF,+80-20%,150V	72982	855-547 E103Z
C546	283-0003-00			CAP.,FXD,CER DI:0.01UF,+80-20%,150V	72982	855-547 E103Z
C554	281-0508-00			CAP.,FXD,CER DI:12PF,+/-0.6 PF,500V	72982	301-000COG0120J
C555	290-0524-00			CAP.,FXD,ELCTLT:4.7UF,20%,10V	90201	TDC475M010EL
C556	281-0662-00	B010100	B029999	CAP.,FXD,CER DI:10PF,+/-0.5PF,500V	72982	301-000H3M0100D
C556	281-0523-00	B030000		CAP.,FXD,CER DI:100PF,+/-2 0PF,350V	72982	301-000U2M0101M
C557	283-0003-00			CAP.,FXD,CER DI:0.01UF,+80-20%,150V	72982	855-547 E103Z
C562	283-0003-00			CAP.,FXD,CER DI:0.01UF,+80-20%,150V	72982	855-547E103Z
C565	290-0524-00			CAP.,FXD,ELCTLT:4.7UF,20%,10V	90201	TDC475M010EL
C570	290-0525-00	XB200000		CAP.,FXD,ELCTLT:4.7UF,20%,50V	56289	196 D475X0050KA1
C571	290-0524-00			CAP.,FXD,ELCTLT:4.7UF,20%,10V	90201	TDC475M010EL
C572	281-0509-00	XB030000	B049999X	CAP.,FXD,CER DI:15PF,+/-1.5PF,500V	72982	301-000COG0150K
C575	281-0509-00	XB030000	B049999X	CAP.,FXD,CER DI:15PF,+/-1.5PF,500V	72982	301-000COG0150K
C583	281-0523-00	XB050000		CAP.,FXD,CER DI:100PF,+/-20PF,350V	72982	301-000U2M0101M
C584	281-0617-00	XB030000		CAP.,FXD,CER DI:15PF,10%,200V	72982	374-001COG0150K
C593	281-0524-00			CAP.,FXD,CER DI:150PF,+/-30PF,500V	72982	301-000 X5 U0151M
C596	290-0524-00			CAP.,FXD,ELCTLT:4.7UF,20%,10V	90201	TDC475M010EL
C599	281-0519-00	XB030000		CAP.,FXD,CER DI:47PF,+/-4.7 PF,500V	72982	308-000COG0470K
C600	290-0524-00			CAP.,FXD,ELCTLT:4.7UF,20%,10V	90201	TDC475M010EL
C606	290-0526-00			CAP.,FXD,ELCTLT:6.8UF,20%,6V	90201	TDC685M006EL
C607	290-0535-00	XB010310	B169999	CAP.,FXD,ELCTLT:33UF,20%,10V	56289	196D336X0010KA1
C607	290-0524-00	B170000		CAP.,FXD,ELCTLT:4.7UF,20%,10V	90201	TDC475M010EL
C608	290-0524-00			CAP.,FXD,ELCTLT:4.7UF,20%,10V	90201	TDC475M010EL
C609	290-0534-00			CAP.,FXD,ELCTLT:1UF,20%,35V	56289	196 D105X0035HA1
C610	290-0535-00	XB010310	B169999	CAP.,FXD,ELCTLT:33UF,20%,10V	56289	196D336X0010KA1
C610	290-0524-00	B170000		CAP.,FXD,ELCTLT:4.7UF,20%,10V	90201	TDC475M010EL
C611	281-0592-00			CAP.,FXD,CER DI:4.7PF,+/-0.5PF,500V	72982	301-023 COH0479D
C622	290-0524-00			CAP.,FXD,ELCTLT:4.7UF,20%,10V	90201	TDC475M010EL
C627	283-0000-00			CAP.,FXD,CER DI:0.001UF,+1 00-0%,500V	72982	831-516E102P
C644	283-0003-00	XB020000		CAP.,FXD,CER DI:0.01UF,+80-20%,150V	72982	855-547 E103Z
C647	281-0523-00			CAP.,FXD,CER DI:100PF,+/-20PF,350V	72982	301-000U2M0101M
C668	283-0003-00			CAP.,FXD,CER DI:0.01UF,+80-20%,150V	72982	855-547 E103Z
C669	SELECTED	XB030000				
C670	283-0000-00			CAP.,FXD,CER DI:0.001UF,+100-0%,500V	72982	831-516 E102P
C673	281-0632-00			CAP.,FXD,CER DI:35PF,1%,500V	72982	308-000COG0350F
C675	283-0003-00			CAP.,FXD,CER DI:0.01UF,+80-20%,150V	72982	855-547 E103Z
C679	283-0003-00			CAP.,FXD,CER DI:0.01UF,+80-20%,150V	72982	855-547 E103Z
C683	281-0629-00			CAP.,FXD,CER DI:33PF,5%,600V	72982	308-000COG0330G
C684	281-0519-00			CAP.,FXD,CER DI:47PF,+/-4.7PF,500V	72982	308-000COG0470K
C693	281-0528-00			CAP.,FXD,CER DI:82PF,+/-8.2PF,500V	72982	301-000U2M0820K

¹ Short adjustable wire

Ckt No.	Tektronix Part No.	Serial/Model No.		Name & Description	Mfr	
		Eff	Dscont		Code	Mfr Part Number
C695	281-0503-00			CAP., FXD, CER DI:8PF, +/-0.5PF,500V	72982	301-000COH0809D
C698	290-0523-00			CAP., FXD, ELCTLT:2.2UF,20%,20V	56289	196D225X0025HA1
C708	281-0579-00	B010100	B059999X	CAP., FXD, CER DI:21PF,5%,500V	72982	301-050COG0210J
C711	290-0524-00			CAP., FXD, ELCTLT:4.7UF,20%,10V	90201	TDC475M010EL
C712	290-0524-00			CAP., FXD, ELCTLT:4.7UF,20%,10V	90201	TDC475M010EL
C713	290-0524-00			CAP., FXD, ELCTLT:4.7UF,20%,10V	90201	TDC475M010EL
C714	283-0003-00			CAP., FXD, CER DI:0.01UF,+80-20%,150V	72982	855-547E103Z
C715	283-0003-00			CAP., FXD, CER DI:0.01UF,+80-20%,150V	72982	855-547E103Z
C717	281-0509-00	B010100	B218999	CAP., FXD, CER DI:15PF,+/-1.5PF,500V	72982	301-000COG0150K
C717	281-0511-00	B219000		CAP., FXD, CER DI:22PF,+/-2.2PF,500V	72982	301-000COG0220K
C718	281-0509-00	B010100	B218999	CAP., FXD, CER DI:15PF,+/-1.5PF,500V	72982	301-000COG0150K
C718	281-0511-00	B219000		CAP., FXD, CER DI:22PF,+/-2.2PF,500V	72982	301-000COG0220K
C719	281-0509-00	B010100	B149999	CAP., FXD, CER DI:15PF,+/-1.5PF,500V	72982	301-000COG0150K
C719	281-0506-00	B150000	B218999	CAP., FXD, CER DI:12PF,+/-1.2PF,500V	72982	301-000COG0120K
C719	281-0511-00	B219000		CAP., FXD, CER DI:22PF,+/-2.2PF,500V	72982	301-000COG0220K
C721	281-0505-00			CAP., FXD, CER DI:12PF,+/-1.2PF,500V	72982	301-002COG0120K
C722	281-0572-00	B010100	B149999	CAP., FXD, CER DI:6.8PF,+/-0.5PF,500V	72982	301-000COH0689D
C722	281-0662-00	B150000		CAP., FXD, CER DI:10PF,+/-0.5PF,500V	72982	301-000H3M0100D
C729	283-0003-00			CAP., FXD, CER DI:0.01UF,+80-20%,150V	72982	855-547E103Z
C735	281-0523-00	B010100	B059999	CAP., FXD, CER DI:100PF,+/-20PF,350V	72982	301-000U2M0101M
C735	281-0605-00	B060000		CAP., FXD, CER DI:200PF,10%,500V	72982	301-000Y5D0201K
C736	283-0003-00			CAP., FXD, CER DI:0.01UF,+80-20%,150V	72982	855-547E103Z
C739	290-0524-00			CAP., FXD, ELCTLT:4.7UF,20%,10V	90201	TDC475M010EL
C741	283-0003-00			CAP., FXD, CER DI:0.01UF,+80-20%,150V	72982	855-547E103Z
C744	283-0003-00			CAP., FXD, CER DI:0.01UF,+80-20%,150V	72982	855-547E103Z
C745	283-0003-00			CAP., FXD, CER DI:0.01UF,+80-20%,150V	72982	855-547E103Z
C746	281-0601-00			CAP., FXD, CER DI:7.5PF,500V	91674	301-000COH759D
C752	290-0524-00			CAP., FXD, ELCTLT:4.7UF,20%,10V	90201	TDC475M010EL
C763	283-0003-00			CAP., FXD, CER DI:0.01UF,+80-20%,150V	72982	855-547E103Z
C764	290-0524-00			CAP., FXD, ELCTLT:4.7UF,20%,10V	90201	TDC475M010EL
C766	283-0003-00			CAP., FXD, CER DI:0.01UF,+80-20%,150V	72982	855-547E103Z
C771	283-0003-00			CAP., FXD, CER DI:0.01UF,+80-20%,150V	72982	855-547E103Z
C774	281-0508-00			CAP., FXD, CER DI:12PF,+/-0.6PF,500V	72982	301-000COG0120J
C775	290-0524-00			CAP., FXD, ELCTLT:4.7UF,20%,10V	90201	TDC475M010EL
C776	281-0662-00	B010100	B029999	CAP., FXD, CER DI:10PF,+/-0.5PF,500V	72982	301-000H3M0100D
C776	281-0523-00	B030000		CAP., FXD, CER DI:100PF,+/-20PF,350V	72982	301-000U2M0101M
C777	283-0003-00			CAP., FXD, CER DI:0.01UF,+80-20%,150V	72982	855-547E103Z
C783	283-0003-00			CAP., FXD, CER DI:0.01UF,+80-20%,150V	72982	855-547E103Z
C785	290-0524-00			CAP., FXD, ELCTLT:4.7UF,20%,10V	90201	TDC475M010EL
C795	283-0001-00			CAP., FXD, CER DI:0.005UF,+100-0%,500V	72982	831-559E502P
C798	290-0523-00			CAP., FXD, ELCTLT:2.2UF,20%,20V	56289	196D225X0025HA1
C799	283-0000-00			CAP., FXD, CER DI:0.001UF,+100-0%,500V	72982	831-516E102P
C803	290-0523-00			CAP., FXD, ELCTLT:2.2UF,20%,20V	56289	196D225X0025HA1
C811	281-0509-00	XB050000		CAP., FXD, CER DI:15PF,+/-1.5PF,500V	72982	301-000COG0150K
C813	281-0509-00	XB030000	B049999X	CAP., FXD, CER DI:15PF,+/-1.5PF,500V	72982	301-000COG0150K
C819	290-0524-00			CAP., FXD, ELCTLT:4.7UF,20%,10V	90201	TDC475M010EL
C823	281-0523-00	XB050000		CAP., FXD, CER DI:100PF,+/-20PF,350V	72982	301-000U2M0101M
C824	281-0617-00	XB030000		CAP., FXD, CER DI:15PF,10%,200V	72982	374-001COG0150K
C825	290-0524-00			CAP., FXD, ELCTLT:4.7UF,20%,10V	90201	TDC475M010EL
C826	290-0523-00			CAP., FXD, ELCTLT:2.2UF,20%,20V	56289	196D225X0025HA1
C905	290-0523-00			CAP., FXD, ELCTLT:2.2UF,20%,20V	56289	196D225X0025HA1
C913	290-0527-00	B010100	B059999	CAP., FXD, ELCTLT:15UF,20%,20V	90201	TDC156M020FL
C913	290-0523-00	B060000	B129999	CAP., FXD, ELCTLT:2.2UF,20%,20V	56289	196D225X0025HA1
C913	290-0525-00	B130000		CAP., FXD, ELCTLT:4.7UF,20%,50V	56289	196D475X0050KA1
C917	281-0525-00			CAP., FXD, CER DI:470PF,+/-94PF,500V	72982	301-000X5U0471M
C922	281-0509-00			CAP., FXD, CER DI:15PF,+/-1.5PF,500V	72982	301-000COG0150K
C923	283-0024-00	B010100	B218849	CAP., FXD, CER DI:0.1UF,+80-20%,30V	56289	273C16
C923	290-0534-00	B218850		CAP., FXD, ELCTLT:1UF,20%,35V	56289	196D105X0035HA1
C933	290-0523-00			CAP., FXD, ELCTLT:2.2UF,20%,20V	56289	196D225X0025HA1

Electrical Park List-475

Ckt No.	Tektronix Part No.	Serial/Model No.		Name & Description	Mfr Code	Mfr Part Number
		Eff	Dscont			
C947	283-0000-00			CAP. ,FXD,CER DI:0.001UF,+100-0%,500V	72982	831-516E102P
C961	290-0523-00			CAP. ,FXD, ELCTLT:2.2UF,20 %,20V	56289	196D225X0025HA1
C963	290-0523-00			CAP. ,FXD, ELCTLT:2.2UF,20 %,20V	56289	196 D225X0025HA1
C965	290-0523-00			CAP. ,FXD, ELCTLT:2.2UF,20 %,20V	56289	196D225X0025HA1
C967	290-0524-00			CAP. ,FXD, ELCTLT:4.7UF,20 %,10V	90201	TDC475M010EEL
C969	290-0523-00			CAP. ,FXD, ELCTLT:2.2UF,20 %,20V	56289	196 D225X0025HA1
C976	281-0579-00			CAP. ,FXD, CER DI:21PF,5%,500V	72982	301-050C0G0210J
C984	281-0503-00	B010100	B069999X	CAP. ,FXD, CER DI:8PF, +/-0.5 PF,500V	72982	301-000 C0H0809D
C984	281-0658-00	XB130000		CAP. ,FXD, CER DI:6.2PF, /-0.25 PF,500V	72982	301-000 C0H0629C
C985	281-0523-00	XB070000	B129999X	CAP. ,FXD, CER DI:100PF, +/-20PF,350V	72982	301-000U2M0101M
C1007	283-0000-00			CAP. ,FXD,CER DI:0.001UF,+100-0%,500V	72982	831-516 E102P
C1008	283-0157-00			CAP. ,FXD, CER DI:7PF,5%,500V	72982	8101A058A709J
C1009	281-0168-00			CAP. ,VAR, AIR DI:1.3-5.4PF,250V	74970	187-0103-035
C1010	283-0003-00			CAP. ,FXD,CER DI:0.01UF,+80-20%,150V	72982	855-547E103Z
C1023	281-0096-00			CAP. ,VAR, AIR DI:5.5-18PF	72982	538-006 D9-35
C1025	281-0096-00			CAP. ,VAR, AIR DI:5.5-18PF	72982	538-006D9-35
C1033	281-0549-00			CAP. ,FXD, CER DI:68PF,10%,500V	72982	301-000U2J0680K
C1045	283-0000-00			CAP. ,FXD, CER DI:0.001UF,+1 00-0%,500V	72982	831-516 E102P
C1050	283-0003-00			CAP. ,FXD,CER DI:0.01UF,+80-20%,150V	72982	855-547 E103Z
C1052	281-0589-00			CAP. ,FXD,CER DI:170PF,5%,500V	72982	301-057 25D0171J
C1054	290-0525-00			CAP. ,FXD, ELCTLT:4.7UF,20 %,50V	56289	196 D475X0050KA1
C1056	283-0187-00	B010100	B079999	CAP. ,FXD, CER DI:0.047UF,10%,400V	72982	8131N401X5R473K
C1056	283-0341-00	B080000		CAP. ,FXD, CER DI:0.047UF,10%,100V	72982	8131 N145W5R473K
C1058	281-0543-00			CAP. ,FXD, CER DI:270PF,10%,500V	72982	301-055 X5 P1271K
C1059	290-0392-00			CAP. ,FXD, ELCTLT:3.6UF,10%,125V	90201	TLS365K125B1A
C1064	281-0096-00			CAP. ,VAR, AIR DI:5.5-18PF	72982	538-006D9-35
C1071	295-0163-00			CAP. , MATCHED: 10UF	80009	295-0163-00
C1072				CAP. ,MATCHED :0.1UF		
C1073				CAP. ,MATCHED :0.001UF		
C1075		283-0144-00				
C1081	281-0523-00			CAP. ,FXD,CER DI:100PF,+/-20PF,350V	72982	301-000U2M0101M
C1082	295-0163-00			CAP. ,MATCHED :10UF	80009	295-0163-00
C1083				CAP. ,MATCHED :0.1UF		
C1085				CAP. ,MATCHED :0.001UF		
C1091	290-0523-00			CAP. ,FXD,ELCTLT:2.2UF,20 %,20V	56289	196 D225X0025HA1
C1093	290-0523-00			CAP. ,FXD, ELCTLT:2.2UF,20 %,20V	56289	196D225X0025HA1
C1103	283-0670-00			CAP. ,FXD,MICA D:375PF,1%,500V	00853	D155F3750F0
C1107 ²	281-0547-00	XB080000		CAP. ,FXD, CER DI:2.7PF,10%,500V	72982	301-000C0J0279C
C1112	283-0010-00	B010100	B079999X	CAP. ,FXD,CER DI:0.05UF,+100-20%,50V	56289	273C20
C1114	283-0010-00	XB080000		CAP. ,FXD, CER DI:0.05UF,+1 00-20%,50V	56289	273C20
C1116	283-0000-00	B010100	B079999X	CAP. ,FXD, CER DI:0.001UF,+1 00-0%,500V	72982	831-516E102P
C1124	283-0003-00	B010100	B079999	CAP. ,FXD,CER DI:0.01UF,+80-20%,150V	72982	855-547 E103Z
C1124	283-0116-00	B080000		CAP. ,FXD, CER DI:820PF,5%,500V	72982	801-547 B821J
C1134	283-0003-00	B010100	B079999	CAP. ,FXD, CER DI:0.01UF,+80-20 %,150V	72982	855-547 E103Z
C1134	283-0116-00	B080000		CAP. ,FXD, CER DI:820PF,5%,500V	72982	801-547 B821J
C1140	283-0010-00			CAP. ,FXD, CER DI:0.05UF,+1 00-20%,50V	56289	273C20
C1142	283-0111-00	XB080000		CAP. ,FXD,CER DI:0.1UF,20%,50V	72982	8131 N075651104M
C1152	283-0003-00			CAP. ,FXD,CER DI:0.01UF,+80-20%,150V	72982	855-547E103Z
C1162	283-0003-00			CAP. ,FXD, CER DI:0.01UF,+80-20 %,150V	72982	855-547 E103Z
C1171	281-0564-00	B010100	B079999X	CAP. ,FXD, CER DI:24PF,5%,500V	72982	301-000C0G0240J
C1178	283-0631-00	B010100	B079999	CAP. ,FXD,MICA D:95PF,1%,100V	00853	D151E950F0
C1178	283-0644-00	B080000		CAP. ,FXD,MICA D:150PF,1%,500V	00853	D155E151F0
C1179	281-0118-00			CAP. ,VAR, MICA D:8-90PF	72136	T50417-6
C1187	283-0010-00			CAP. ,FXD,CER DI:0.05UF,+100-20%,50V	56289	273C20
C1201	283-0005-00			CAP. ,FXD, CER DI:0.01UF,+1 00-0%,250V	72982	8131 -250651103P

¹C1071, C1072, C1073, C1082, C1083 and C1085 furnished as a unit. Individual timing capacitors in this assembly must be ordered by the 9 digit part number, letter suffix and tolerance printed on the timing capacitor to be replaced. The letter suffix and the tolerance should be the same for all of the timing capacitors in the assembly. EXAMPLE: _____ | 285-XXXX-XX F- | _____

²Selected and added if nece ssary.

Ckt No.	Tektronix Part No.	Serial/Model No.		Name & Description	Mfr	
		Eff	Dscont		Code	Mfr Part Number
C1205	283-0005-00			CAP. ,FXD,CER DI:0.01UF,+100-0%,250V	72982	8131-250651103P
C1211	283-0005-00			CAP. ,FXD,CER DI:0.01UF,+100-0%,250V	72982	8131-250651103P
C1212	283-0005-00			CAP. ,FXD,CER DI:0.01UF,+100-0%,250V	72982	8131-250651103P
C1216	283-0010-00			CAP. ,FXD,CER DI:0.05UF,+100-20%,50V	56289	273C20
C1231	283-0638-00			CAP. ,FXD, MICA D:130PF,1%,100V	00853	D151E131F0
C1233	281-0153-00			CAP. ,VAR, AIR DI:1.7-10PF,250V	74970	187-0106-005
C1235 ¹						
C1251	283-0638-00			CAP. ,FXD,MICA D:130PF,1%,100V	00853	D151E131F0
C1253	281-0153-00			CAP. ,VAR,AIR DI:1.7-10PF,250V	74970	187-0106-005
C1255 ¹						
C1261	290-0523-00	B010100	B129999	CAP. ,FXD,ELCTLT:2.2UF,20%,20V	56289	196 D225X0025HA1
C1261	290-0536-00	B130000		CAP. ,FXD, ELCTLT:10UF,20%,25V	90201	TDC106M025FL
C1263	290-0524-00	B010100	B129999	CAP. ,FXD,ELCTLT:4.7UF,20%,10V	90201	TDC475M010EL
C1263	290-0536-00	B130000		CAP. ,FXD,ELCTLT:10UF,20%,25V	90201	TDC106M025FL
C1265	290-0523-00			CAP. ,FXD,ELCTLT:2.2UF,20%,20V	56289	196D225X0025HA1
C1267	283-0092-00			CAP. ,FXD,CER DI:0.03UF,+80-20%,200V	72982	845-534E303Z
C1302	290-0534-00			CAP. ,FXD,ELCTLT:1UF,20%,35V	56289	196D105X0035HA1
C1304	290-0573-00			CAP. ,FXD,ELCTLT:2.7UF,20%,50V	56289	196D275X0050JA1
C1305	290-0572-00			CAP. ,FXD, ELCTLT:0.1UF,20%,50V	56289	196D104X0050HA1
C1316	290-0534-00			CAP. ,FXD,ELCTLT:1UF,20%,35V	56289	196D105X0035HA1
C1317	290-0536-00			CAP. ,FXD,ELCTLT:10UF,20%,25V	90201	TDC106M025FL
C1318	290-0312-00			CAP. ,FXD,ELCTLT:47UF,10%,35V	56289	150D476X9035S2
C1320	283-0011-00			CAP. ,FXD, CER DI:0.01UF,2000V	00656	5024-0002
C1322	283-0071-00			CAP. ,FXD,CER DI:0.0068UF,+80-30%,5000V	56289	45 C10A1
C1323	283-0071-00			CAP. ,FXD, CER DI:0.0068UF, +80-30%,5000V	56289	45 C10A1
C1326	281-0518-00	B010100	B079999	CAP. ,FXD, CER DI:47PF, +/-9.4PF,500V	72982	301-000 U2J0470M
C1326	281-0519-00	B080000		CAP. ,FXD,CER DI:47PF,+/-4.7PF,500V	72982	308-000C0G0470K
C1328	283-0071-00			CAP. ,FXD,CER DI:0.0068UF,+80-30%,5000V	56289	45C 10A1
C1329	283-0002-00	XB080000		CAP. ,FXD, CER DI:0.01UF, +80-20 %,500V	72982	811-546E103Z
C1330	290-0524-00			CAP. ,FXD, ELCTLT:4.7UF,20%,10V	90201	TDC475M010EL
C1335	283-0078-00			CAP. ,FXD, CER DI:0.001UF,20%,500V	56289	20C114A8
C1336	283-0078-00			CAP. ,FXD,CER DI:0.001UF,20%,500V	56289	20C114A8
C1346	283-0002-00			CAP. ,FXD, CER DI:0.01UF, +80-20 %,500V	72982	811-546E103Z
C1348	283-0005-00			CAP. ,FXD,CER DI:0.01UF,+100-0%,250V	72982	8131-250651103P
C1352	281-0064-00			CAP. ,VAR, PLSTC:0.25-1.5PF,600V	72982	530-002
C1354	283-0005-00			CAP. ,FXD,CER DI:0.01UF,+100-0%,250V	72982	813 1-250651103P
C1358	283-0057-00			CAP. ,FXD,CER DI:0.1UF,+80-20%,200V	56289	274C10
C1363	283-0057-00			CAP. ,FXD,CER DI:0.1UF,+80-20%,200V	56289	274C10
C1366	281-0627-00			CAP. ,FXD,CER DI:1PF,+/-0.25PF,500V	72982	301-000C0G0109C
C1371	285-1 040-00			CAP. ,FXD,PLSTC :0.0012UF,10%,4000V	56289	430P122940
C1372	285-1 040-00			CAP. ,FXD, PLSTC:0.0012UF,10 %,4000V	56289	430P122940
C1373	283-0178-00			CAP. ,FXD,CER DI:0.1UF,+80-20%,100V	72982	8131N14561104Z
C1374	290-0 164-00			CAP. ,FXD, ELCTLT:1UF, +5 0-10%,150V	56289	30 D105F150BA4
C1380	285-1040-00			CAP. ,FXD, PLSTC:0.0012UF,10 %,4000V	56289	430P122940
C1381	283-0002-00	B010100	B079999X	CAP. ,FXD,CER DI:0.01UF,+80-20%,500V	72982	811-546E103Z
C1387	290-0523-00			CAP. ,FXD, ELCTLT:2.2UF,2 0%,20V	56289	196D225X0025HA1
C1388	290-0523-00	B010100	B129999	CAP. ,FXD,ELCTLT:2.2UF,20%,20V	56289	196D225X0025HA1
C1388	290-0536-00	B130000		CAP. ,FXD, ELCTLT:10UF,20%,25V	90201	TDC106M025FL
C1390	283-0001-00			CAP. ,FXD,CER DI:0.005UF,+100-0%,500V	72982	831-559E502P
C1394	283-0001-00	B010100	B029999X	CAP. ,FXD,CER DI:0.005UF,+100-0%,500V	72982	831-559 E502P
C1394	283-0001-00	XB050000		CAP. ,FXD,CER DI:0.005UF,+100-0%,500V	72982	831-559E502P
C1397	283-0001-00			CAP. ,FXD, CER DI:0.005UF, +100-0%,500V	72982	831-559E502P
C1399	283-0111-00	B010100	B219999	CAP. ,FXD,CER DI:0.1UF,20%,50V	72982	8131 N075651104M
C1399	283-0178-00	B220000		CAP. ,FXD, CER DI:0.1UF, +8 0-2 0%,100V	72982	8131N14561104Z
C1412	290-0585-00			CAP. ,FXD, ELCTLT:350UF, +75-10%,75V	90201	20-36095
C1414	290-0586-00			CAP. ,FXD,ELCTLT:1000UF,+75-10%,75V	90201	20-3096

¹Part of Circuit Board.

Electrical Parts List-475

Ckt No.	Tektronix Part No.	Serial/Model No.		Name & Description	Mfr Code	Mfr Part Number	
		Eff	Dscont			Mfr	Part Number
C1416	283-0004-00			CAP. ,FXD, CER DI:0.02UF, +80-20 %,150V	72982	855016Z5V0203Z	
C1428	290-0525-00			CAP. ,FXD, ELCTLT:4.7UF,20 %,50V	56289	196 D475X0050KA1	
C1431	281-0546-00			CAP. ,FXD, CER DI:330PF,10%,500V	72982	301-000X5P0331K	
C1442	290-0584-00			CAP. ,FXD, ELCTLT:5500UF, +1 00-10%,30V	90201	20-36094	
C1448	290-0536-00			CAP. ,FXD, ELCTLT:10UF,20%,25V	90201	TDC106M025FL	
C1452	290-0571-00			CAP. ,FXD,ELCTLT: 5000UF,+100-0%, 25V	90201	20-36043	
C1455	283-0004-00	XB080000		CAP. ,FXD, CER DI:0.02UF, +80-20%,150V	72982	855016Z5V0203Z	
C1458	290-0535-00			CAP. ,FXD, ELCTLT:33UF,20%,10V	56289	196D336X0010KA1	
C1462	290-0584-00			CAP. ,FXD, ELCTLT: 5500UF,+100-10% , 30V	90201	20-36094	
C1468	290-0535-00			CAP. ,FXD, ELCTLT: 33UF , 20%, 10V	56289	196 D336X0010KA1	
C1472	290-0583-00			CAP. ,FXD, ELCTLT : 3000UF,+100-10% , 35V	56289	68 D10490	
C1478	290-0536-00			CAP. ,FXD, ELCTLT:10UF,20%,25V	90201	TDC106M025FL	
C1486	281-0523-00	B010100	B079999X	CAP. ,FXD, CER DI:100PF, +/-2 0PF,350V	72982	301-000U2M0101M	
C1489	283-0092-00			CAP. ,FXD, CER DI:0.03UF, +80-20 %,200V	72982	845-534E303Z	
C1492	290-0523-00			CAP. ,FXD ,ELCTLT:2. 2UF,20%,20V	56289	196 D225X0025HA1	
C1504	281-0551-00	XB080000		CAP. ,FXD, CER DI:390PF,10%,500V	72982	301-000X5P0391K	
C1505	285-0686-00			CAP. ,FXD, PLSTC:0 .068UF,10%,100V	01002	64F22AA683	
C1511	290-0532-00			CAP. ,FXD, ELCTLT:150UF,20 %,6V	90201	TDC157M006CL	
C1512	281-0523-00	B010100	B079999	CAP. ,FXD, CER DI:100PF, +/-20 PF,350V	72982	301-000U2M0101M	
C1512	281-0512-00	B080000		CAP. ,FXD, CER DI:27PF, +/-2.7 PF,500V	72982	308-000C0G0270K	
C1698	290-0536-00			CAP. ,FXD, ELCTLT: 10UF,20%,25V	90201	TDC106M025FL	
CR103	152-0323-01	XB100000		SEMICOND DEVICE: SILICON,35V, 100MA	80009	152-0323-01	
CR104	152-0323-00	B010100	B099999	SEMICOND DEVICE: SILICON,35V,100MA	03508	SE365	
CR104	152-0323-01	B100000		SEMICOND DEVICE: SILICON,35V,100MA	80009	152-0323-01	
CR105	152-0323-00	B010100	B099999	SEMICOND DEVICE: SILICON,35V,100MA	03508	SE365	
CR105	152-0323-01	B100000		SEMICOND DEVICE: SILICON,35V,100MA	80009	152-0323-01	
CR107	152-0141-02			SEMICOND DEVICE: SILICON,30V,150MA	07910	1N4152	
CR170	152-0422-00			SEMICOND DEVICE: SILICON,4V,7PF	01281	PG1084	
CR174	152-0422-00			SEMICOND DEVICE: SILICON,4V,7PF	01281	PG1084	
CR182	152-0141-02	XB170000		SEMICOND DEVICE :SILICON,30V,150MA	07910	1N4152	
CR203	152-0323-01	XB100000		SEMICOND DEVICE: SILICON,35V,100MA	80009	152-0323-01	
CR204	152-0323-00	B010100	B099999	SEMICOND DEVICE: SILICON,35V,100MA	03508	SE365	
CR204	152-0323-01	B100000		SEMICOND DEVICE: SILICON, 35V,100MA	80009	152-0323-01	
CR2 05	152-0323-00	B010100	B099999	SEMICOND DEVICE: SILICON,35V,100MA	03508	SE365	
CR205	152-0323-01	B100000		SEMICOND DEVICE :SILICON,35V,100MA	80009	152-0323-01	
CR207	152-0141-02			SEMICOND DEVICE: SILICON,30V,150MA	07910	1N4152	
CR270	152-0422-00			SEMICOND DEVICE: SILICON,4V,7PF	01281	PG1084	
CR274	152-0422-00			SEMICOND DEVICE: SILICON,4V,7PF	01281	PG1084	
CR282	152-0141-02	XB170000		SEMICOND DEVICE: SILICON, 30 V,150MA	07910	1N4152	
CR29 0	152-0141-02			SEMICOND DEVICE: SILICON,30V,150MA	07910	1N4152	
CR301	152-0141-02			SEMICOND DEVICE: SILICON, 30V,150MA	07910	1N4152	
CR306	152-0141-02			SEMICOND DEVICE: SII ICON,30V,150MA	07910	1N4152	
CR312	152-0141-02			SEMICOND DEVICE: SILI CON, 30 V,150MA	07910	1N4152	
CR322	152-0141-02			SEMICOND DEVICE:SILICON, 30V,150MA	07910	1N4152	
CR336	152-0141-02			SEMICOND DEVICE: SILICON, 30 V,150MA	07910	1N4152	
CR351	152-0141-02			SEMICOND DEVICE:SILICON,3 0V,150MA	07910	1N4152	
CR352	152-0141-02			SEMICOND DEVICE :SILICON,30V,150MA	07910	1N4152	
CR359	152-0141-02			SEMICOND DEVICE: SILICON,30V,150MA	07910	1N4152	
CR361	152-0141-02			SEMICOND DEVICE: SILICON,30V,150MA	07910	1N4152	
CR368	152-0141-02			SEMICOND DEVICE: SILICON, 30V,150MA	07910	1N4152	
CR369	152-0141-02			SEMICOND DEVICE :SILICON,30V,150MA	07910	1N4152	
CR42 2	152-0141-02			SEMICOND DEVICE: SILICON,30V,150MA	07910	1N4152	
CR480	152-0141-02	XB217750		SEMICOND DEVICE: SILICON,30V,150MA	07910	1N4152	
CR519	152-0246-00			SEMICOND DEVICE:SILICON,400 PIV,200MA	07910	CD12676	

Ckt No.	Tektronix Part No.	Serial/Model No.		Name & Description	Mfr Code	Mfr Part Number	
		Eff	Dscont				
CR556	152-0386-00			SEMICON D DEVICE:TUNNEL,10MA,25PF	80009	152-0386-00	
CR566	152-0386-00			SEMICON D DEVICE:TUNNEL,10MA,25PF	80009	152-0386-00	
CR582	152-0141-02			SEMICON D DEVICE:SILICON,30V,150MA	07910	1N4152	
CR584	152-0141-02			SEMICON D DEVICE:SILICON,30V,150MA	07910	1N4152	
CR592	152-0141-02			SEMICON D DEVICE:SILICON,30V,150MA	07910	1N4152	
CR601	152-0141-02			SEMICON D DEVICE:SILICON,30V,150MA	07910	1N4152	
CR604	152-0141-02			SEMICON D DEVICE:SILICON,30V,150MA	07910	1N4152	
CR605	152-0141-02			SEMICON D DEVICE:SILICON,30V,150MA	07910	1N4152	
CR647	152-0141-02	XB218150		SEMICON D DEVICE:SILICON,30V,150MA	07910	1N4152	
CR680	152-0141-02			SEMICON D DEVICE:SILICON,30V,150MA	07910	1N4152	
CR681	152-0141-02			SEMICON D DEVICE:SILICON,30V,150MA	07910	1N4152	
CR682	152-0141-02			SEMICON D DEVICE:SILICON,30V,150MA	07910	1N4152	
CR683	152-0141-02			SEMICON D DEVICE:SILICON,30V,150MA	07910	1N4152	
CR685	152-0141-02			SEMICON D DEVICE:SILICON,30V,150MA	07910	1N4152	
CR689	152-0141-02			SEMICON D DEVICE:SILICON,30V,150MA	07910	1N4152	
CR691	152-0141-02	B010100	B179999X	SEMICON D DEVICE:SILICON,30V,150MA	07910	1N4152	
CR692	152-0141-02	B010100	B179999X	SEMICON D DEVICE:SILICON,30V,150MA	07910	1N4152	
CR693	152-0141-02			SEMICON D DEVICE:SILICON,30V,150MA	07910	1N4152	
CR694	152-0141-02			SEMICON D DEVICE:SILICON,30V,150MA	07910	1N4152	
CR699	152-0141-02			SEMICON D DEVICE:SILICON,30V,150MA	07910	1N4152	
CR701	152-0141-02			SEMICON D DEVICE:SILICON,30V,150MA	07910	1N4152	
CR703	152-0141-02			SEMICON D DEVICE:SILICON,30V,150MA	07910	1N4152	
CR705	152-0141-02			SEMICON D DEVICE:SILICON,30V,150MA	07910	1N4152	
CR739	152-0246-00			SEMICON D DEVICE:SILICON,400PIV,200MA	07910	CD12676	
CR776	152-0386-00			SEMICON D DEVICE:TUNNEL,10MA,25PF	80009	152-0386-00	
CR786	152-0386-00			SEMICON D DEVICE:TUNNEL,10MA,25PF	80009	152-0386-00	
CR787	152-0141-02			SEMICON D DEVICE:SILICON,30V,150MA	07910	1N4152	
CR788	152-0141-02			SEMICON D DEVICE:SILICON,30V,150MA	07910	1N4152	
CR792	152-0141-02			SEMICON D DEVICE:SILICON,30V,150MA	07910	1N4152	
CR793	152-0141-02			SEMICON D DEVICE:SILICON,30V,150MA	07910	1N4152	
CR794	152-0141-02			SEMICON D DEVICE:SILICON,30V,150MA	07910	1N4152	
CR795	152-0141-02			SEMICON D DEVICE:SILICON,30V,150MA	07910	1N4152	
CR796	152-0141-02			SEMICON D DEVICE:SILICON,30V,150MA	07910	1N4152	
CR797	152-0141-02			SEMICON D DEVICE:SILICON,30V,150MA	07910	1N4152	
CR799	152-0141-02			SEMICON D DEVICE:SILICON,30V,150MA	07910	1N4152	
CR801	152-0141-02			SEMICON D DEVICE:SILICON,30V,150MA	07910	1N4152	
CR802	152-0141-02			SEMICON D DEVICE:SILICON,30V,150MA	07910	1N4152	
CR806	152-0141-02			SEMICON D DEVICE:SILICON,30V,150MA	07910	1N4152	
CR811	152-0141-02			SEMICON D DEVICE:SILICON,30V,150MA	07910	1N4152	
CR812	152-0141-02			SEMICON D DEVICE:SILICON,30V,150MA	07910	1N4152	
CR814	152-0141-02			SEMICON D DEVICE:SILICON,30V,150MA	07910	1N4152	
CR822	152-0141-02			SEMICON D DEVICE:SILICON,30V,150MA	07910	1N4152	
CR824	152-0141-02			SEMICON D DEVICE:SILICON,30V,150MA	07910	1N4152	
CR903	152-0141-02			SEMICON D DEVICE:SILICON,30V,150MA	07910	1N4152	
CR907	152-0141-02			SEMICON D DEVICE:SILICON,30V,150MA	07910	1N4152	
CR910	152-0141-02	XB060000		SEMICON D DEVICE:SILICON,30V,150MA	07910	1N4152	
CR914	152-0501-00			SEMICON D DEVICE:SILICON,70V,200MA	04713	MSD6150	
CR922	152-0141-02			SEMICON D DEVICE:SILICON,30V,150MA	07910	1N4152	
CR923	152-0141-02	XB200000		SEMICON D DEVICE:SILICON,30V,150MA	07910	CD8220	
CR926	152-0322-00			SEMICON D DEVICE:SILICON,15V	28480	5082-2672	
CR927	152-0322-00			SEMICON D DEVICE:SILICON,15V	28480	5082-2672	
CR940	152-0141-02			SEMICON D DEVICE:SILICON,30V,150MA	07910	1N4152	
CR943	152-0141-02			SEMICON D DEVICE:SILICON,30V,150MA	07910	1N4152	
CR944	152-0141-02			SEMICON D DEVICE:SILICON,30V,150MA	07910	1N4152	
CR945	152-0141-02			SEMICON D DEVICE:SILICON,30V,150MA	07910	1N4152	
CR952	152-0141-02			SEMICON D DEVICE:SILICON,30V,150MA	07910	1N4152	

Electrical Parts List-475

Ckt No	Tektronix Part No.	Serial/Model No.		Name & Description	Mfr Code	Mfr Part Number
		Eff	Discont			
CR955	152-0141-02			SEMICON D DEVICE:SILICON,30V,150MA	07910	1N4152
CR956	152-0141-02			SEMICON D DEVICE:SILICON,30V,150MA	07910	1N4152
CR9 71	152-0141-02			SEMICON D DEVICE:SILICON,30V,150MA	07910	1N4152
CR9 76	152-0141-02			SEMICON D DEVICE:SILICON,30V,150MA	07910	1N4152
CR985	152-0141-02			SEMICON D DEVICE:SILICON,30V,150MA	07910	1N4152
CR98 7	152-0141-02			SEMICON D DEVICE:SILICON,30V,150MA	07910	1N4152
CR988	152-0141-02			SEMICON D DEVICE:SILICON,30V,150MA	07910	1N4152
CR996	152-0141-02			SEMICON D DEVICE:SILICON,30V,150MA	07910	1N4152
CR1001	152-0141-02			SEMICON D DEVICE:SILICON,30V,150MA	07910	1N4152
CR1006	152-0141-02			SEMICON D DEVICE:SILICON,30V,150MA	07910	1N4152
CR1015	152-0141-02			SEMI COND DEVICE:SILICON,30V,150MA	07910	1N4152
CR1017	152-0141-02			SEM I COND DEVICE:SILICON,30V,150MA	07910	1N4152
CR101 8	152-0141-02			SEMICON D DEVICE:SILICON,30V,150MA	07910	1N4152
CR1023	152-0141-02			SEMICON D DEVICE:SILICON,30V,150MA	07910	1N4152
CR1 026	152-0141-02			SEMICON D DEVICE:SILICON,30V,150MA	07910	1N4152
CR1 02 8	152-0141-02			SEMICON D DEVICE:SILICON,30V,150MA	07910	1N4152
CR1029	152-0141-02			SEMICON D DEVICE:SILICON,30V,150MA	07910	1N4152
CR1034	152-0141-02			SEMICON D DEVICE:SILICON,30V,150MA	07910	1N4152
CR 1036	152-0141-02			SE MI COND DEVICE:SILICON,30V,150MA	07910	1N4152
CR1037	152-0141-02			SEMICON D DEVICE:SILICON,30V,150MA	07910	1N4152
CR1 044	152-0141-02			SEM I CON D DEVICE:SILICON,30V,150MA	07910	1N4152
CR1 046	152-0141-02			SEMICON D DEVICE:SILICON,30V,150MA	07910	CD8220
CRJ 049	152-0141-02			SEMICON D DEVICE:SILICON,30V,150MA	07910	1N4152
CR1052	152-0141-02			SEMICON D DEVICE:SILICON,30V,150MA	07910	1N4152
CR10 54	152-0141-02	B010100	B049999	SEMICON D DEVICE:SILICON,30V,150MA	07910	1N4152
CR1054	152-0061-00	B050000		SEMICON D DEVICE:SILICON,175V,100MA	80009	152-0061-00
CRJ 056	152-0141-02	B010100	B049999	SEMICON D DEVICE:SILICON,30V,150MA	07910	1N4152
CR1056	152-0061-00	B0500 00		SEM I COND DEVICE:SILICON,175V,100MA	80009	152-0061-00
CR1058	152-0141-02	B010100	B049999	SEMICON D DEVICE:SILICON,30V,150MA	07910	1N4152
CR1058	152-0061-00	B050000		SEMICON D DEVICE:SILICON,175V,100MA	80009	152-0061-00
CR1060	152-0141-02	B010100	B199999	SEMICON D DEVICE:SILICON,30V,150MA	07910	CD8220
CR1060	152-0061-00	B200000		SEMICON D DEVICE:SILICON,175V,100MA	13715	FD2161
CR1061	152-0141-02			S EM I COND DEVICE:SILICON,30V,150MA	07910	1N4152
CR1062	152-0141-02			SEMICON D DEVICE:SILICON,30V,150MA	07910	1N4152
CR1075	152-0141-02	XB010316		SEMICON D DEVICE:SILICON,30V,150MA	07910	1N4152
CR1 097	152-0141-02	XB010316		SEMICON D DEVICE:SILICON,30V,150MA	07910	1N4152
CR11 02	152-0141-02			SEMICON D DEVICE:SILICON,30V,150MA	07910	1N4152
CR11 03	152-0141-02			SEMI COND DEVICE:SILICON,30V,150MA	07910	1N4152
CR11 04	152-0141-02			SEMICON D DEVICE:SILICON,30V,150MA	07910	1N4152
CR1111	152-0141-02			SEMICON D DEVICE:SILICON,30V,150MA	07910	1N4152
CR1121	152-0322-00			SEMICON D DEVICE:SILICON,15V	28480	5082-2672
CR1122	152-0322-00			SEMICON D DEVICE:SILICON,15V	28480	5082-2672
CR1140	152-0141-02			SEMICON D DEVICE:SILICON,30V,150MA	07910	1N4152
CR1164	152-0141-02			SEMICON D DEVICE:SILICON,30V,150MA	07910	1N4152
CR1173	152-0322-00			SEMICON D DEVICE:SILICON,15V	28480	5082-2672
CR1183	152-0322-00			SEMICON D DEVICE:SILICON,15V	28480	5082-2672
CR1 237	152-0141-02			SEM I C ON D DEVICE:SILICON,30V,150MA	07910	1N4152
CR13 04	152-0333-00			SEMICON D DEVICE:SILICON,55V,200MA	80009	152-0333-00
CR131 0	152-0141-02			SEM I COND DEVICE:SILICON,30V,150MA	07910	1N4152
CR1312	152-0141-02			SEMI COND DEVICE:SILICON,30V,150MA	07910	1N4152
CR1314	152-0141-02			SEMICON D DEVICE:SILICON,30V,150MA	07910	1N4152
CR1316	152-0333-00			SEMICON D DEVICE:SILICON,55V,200MA	80009	152-0 333-00
CR1 317	152-0141-02			SEMICON D DEVICE:SILICON,30V,150MA	07910	1N4152
CR1320	152-0429-00			SEMICON D DEVICE:SILICON,5000V,10MA	14099	SA3282
CR13 21	152-0429-00			SEMICON D DEVICE:SILICON,5000V,10MA	14099	SA3282

Ckt No.	Tektronix Part No.	Serial/Model No. Eff	Dscont	Name & Description	Mfr Code	Mfr Part Number
CR1329	152-0107-00	XB080000		SEMICON D DEVICE: SILICON, 375V, 400MA	80009	152-0107-00
CR1331	152-0153-00			SEMICON D DEVICE: SILICON, 15V, 50MA	13715	FD7003
CR1337	152-0141-02			SEMICON D DEVICE: SILICON, 30V, 150MA	07910	1N4152
CR1341	152-0153-00			SEMICON D DEVICE: SILICON, 15V, 50MA	13715	FD7003
CR1342	152-0141-02			SEMICON D DEVICE: SILICON, 30V, 150MA	07910	1N4152
CR1343	152-0153-00			SEMICON D DEVICE: SILICON, 15V, 50MA	13715	FD7003
CR1344	152-0141-02			SEMICON D DEVICE: SILICON, 30V, 150MA	07910	1N4152
CR1345	152-0141-02			SEMICON D DEVICE: SILICON, 30V, 150MA	07910	1N4152
CR1352	152-0141-02			SEMICON D DEVICE: SILICON, 30V, 150MA	07910	1N4152
CR1353	152-0061-00			SEMICON D DEVICE: SILICON, 175V, 100MA	80009	152-0061-00
CR1354	152-0141-02			SEMICON D DEVICE: SILICON, 30V, 150MA	07910	1N4152
CR1358	152-0141-02			SEMICON D DEVICE: SILICON, 30V, 150MA	07910	1N4152
CR1360	152-0107-00			SEMICON D DEVICE: SILICON, 375V, 400MA	80009	152-0107-00
CR1366	152-0141-02			SEMICON D DEVICE: SILICON, 30V, 150MA	07910	1N4152
CR1367	152-0107-00	B010100	B218899	SEMICON D DEVICE : SILICON, 375V, 400MA	80009	152-0107-00
CR1367	152-0061-00	B218900		SEMICON D DEVICE : SILICON, 175V, 100MA	80009	152-0061-00
CR1368	152-0061-00	XB218900		SEMICON D DEVICE: SILICON, 175V, 100MA	80009	152-0061-00
CR1371	152-0061-00			SEMICON D DEVICE: SILICON, 175V, 100MA	80009	152-0061-00
CR1373	152-0061-00			SEMICON D DEVICE: SILICON, 175V, 100MA	80009	152-0061-00
CR1377	152-0242-00			SEMICON D DEVICE: SILICON, 225V, 200MA	12969	NDP341
CR1379	152-0242-00			SEMICON D DEVICE: SILICON, 225V, 200MA	12969	NDP341
CR1412	152-0488-00			SEMICON D DEVICE: SILICON, 200V, 1500MA	14936	KBP02-8
CR1415	152-0107-00			SEMICON D DEVICE: SILICON, 375V, 400MA	80009	152-0107-00
CR1421	152-0141-02			SEMICON D DEVICE: SILICON, 30V, 150MA	07910	1N4152
CR1422	152-0061-00			SEMICON D DEVICE: SILICON, 175V, 100MA	80009	152-0061-00
CR1424	152-0141-02			SEMICON D DEVICE: SILICON, 30V, 150MA	07910	1N4152
CR1426	152-0066-00			SEMICON D DEVICE: SILICON, 400V, 750MA	02735	37304
CR1428	152-0066-00			SEMICON D DEVICE: SILICON, 400V, 750MA	02735	37304
CR1432	152-0141-02			SEMICON D DEVICE: SILICON, 30V, 150MA	07910	1N4152
CR1442	152-0462-00	B010100	B159999	SEMICON D DEVICE: SILICON, 200V, 2.5A	04713	MDA960-3
CR1442	152-0556-00	B160000		SEMICON D DEVICE: BRIDGE, 50V, 2.5A	04713	MDA960-1
CR1448	152-0066-00			SEMICON D DEVICE: SILICON, 400V, 750MA	02735	37304
CR1452	152-0488-00			SEMICON D DEVICE: SILICON, 200V, 1500MA	14936	KBP02-8
CR1456	152-0141-02			SEMICON D DEVICE: SILICON, 30V, 150MA	07910	1N4152
CR1458	152-0066-00			SEMICON D DEVICE: SILICON, 400V, 750MA	02735	37304
CR1462	152-0488-00	B010100	B218099	SEMICON D DEVICE: SILICON, 200V, 1500MA	14936	KBP02-8
CR1462	152-0462-00	B218100		SEMICON D DEVICE: SILICON, 200V, 2.5A	04713	MDA960-3
CR1466	152-0141-02			SEMICON D DEVICE : SILICON, 30V, 150MA	07910	1N4152
CR1468	152-0066-00			SEMICON D DEVICE : SILICON, 400V, 750MA	02735	37304
CR1472	152-0488-00			SEMICON D DEVICE: SILICON, 200V, 1500MA	14936	KBP02-8
CR1478	152-0066-00			SEMICON D DEVICE: SILICON, 400V, 750MA	02735	37304
CR1489	152-0061-00	B010100	B079999	SEMICON D DEVICE: SILICON, 175V, 100MA	80009	152-0061-00
CR1489	152-0107-00	B080000		SEMICON D DEVICE: SILICON, 375V, 400MA	80009	152-0107-00
CR1502	152-0141-02	XB170000		SEMICON D DEVICE : SILICON, 30V, 150MA	07910	1N4152
CR1512	152-0141-02	XB080000		SEMICON D DEVICE: SILICON, 30V, 150MA	07910	1N4152
CR1691	152-0141-02			SEMICON D DEVICE : SILICON, 30V, 150MA	07910	1N4152
CR1692	152-0141-02			SEMICON D DEVICE : SILICON, 30V, 150MA	07910	1N4152
CR1694	152-0141-02			SEMICON D DEVICE: SILICON, 30V, 150MA	07910	1N4152
CR1696	152-0141-02			SEMICON D DEVICE: SILICON, 30V, 150MA	07910	1N4152
CR1698	152-0141-02			SEMICON D DEVICE: SILICON, 30V, 150MA	07910	1N4152
DL380	119-0388-00			DELAY LINE ELEC:	80009	119-0388-00
DS128	150-0111-00	B010100	B139999	LAMP, GLOW: NEON, 1.2MA	08806	2AC-AT
DS128	150-0035-00	B140000		LAMP, GLOW: 90V, 0.3MA	08806	A1D-T
DS228	150-0111-00	B010100	B139999	LAMP, GLOW: NEON, 1.2MA	08806	2AC-AT
DS228	150-0035-00	B140000		LAMP, GLOW: 90V, 0.3MA	08806	A1D-T
DS312	150-0130-00			LAMP, INCAND: 5V, 60MA	08806	2200DX

Electrical Parts List-475

Ckt No.	Tektronix Part No.	Serial/Model No. Eff	Dscont	Name & Description	Mfr Code	Mfr Part Number
DS314	150-0130-00			LAMP, INCAND : 5V, 60MA	08806	2200DX
DS322	150-0130-00			LAMP, INCAND : 5V, 60MA	08806	2200DX
DS324	150-0130-00			LAMP, INCAND : 5V, 60MA	08806	2200DX
DS608	150-0130-00			LAMP, INCAND : 5V, 60MA	08806	2200DX
DS610	150-0130-00			LAMP, INCAND : 5V, 60MA	08806	2200DX
DS1091	150-0111-00	B010100	B139999	LAMP, GLOW : NEON, 1.2MA	08806	2AC-AT
DS1091	150-0035-00	B140000		LAMP, GLOW : 9 0V, 0.3MA	08806	ALD-T
DS1110	150-0111-00	B010100	B139999	LAMP, GLOW : NEON, 1.2MA	08806	2AC-AT
DS1110	150-0035-00	B140000		LAMP, GLOW : 9 0V, 0.3MA	08806	ALD-T
DS1382	150-0002-00			LAMP, GLOW : 0.5 MA 60/125V	08806	NE2T-ALAT
DS1383	150-0002-00			LAMP, GLOW : 0.5 MA 60/125V	08806	NE2T-ALAT
DS1482	150-0129-00			LAMP, INCAND : 6.3V, 200MA	08806	2112D
DS1483	150-0129-00			LAMP, INCAND : 6.3V, 200MA	08806	2112D
DS1492	150-0130-00			LAMP, INCAND : 5V, 60MA	08806	2200DX
F1318	159-0016-00			FUSE, CARTRIDGE : 3AG, 1.5A, 250V, FAST-BLOW	71400	AGC1 1-2
F1401	159-0016-00			FUSE, CARTRIDGE : 3AG, 1.5A, 250V, FAST-BLOW	71400	AGC1 1-2
F1401	159-0042-00			FUSE, CARTRIDGE : 3AG, 0.75A, 250V, FAST-BLOW	71400	AGC3-4
J10	131-0679-00	B010100	B185499	CONNECTOR, RCPT, :BNC W/HARDWARE	24931	28JR168-1
J10	131-0679-01	B185500		CONNECTOR, RCPT, :BNC W/HARDWARE	80009	131-0679-01
J50	131-0679-00	B010100	B185499	CONNECTOR, RCPT, :BNC, W/HARDWARE	24931	28JR168-1
J50	131-0679-01	B185500		CONNECTOR, RCPT, :BNC, W/HARDWARE	80009	131-0679-01
J349	131-1003-00			CONNECTOR BODY, :CKT BD MT, 3 PRONG	80009	131-1003-00
J380	131-1003-00			CONNECTOR BODY, :CKT BD MT, 3 PRONG	80009	131-1003-00
J385	131-1003-00			CONNECTOR BODY, :CKT BD MT, 3 PRONG	80009	131-1003-00
J399	131-1003-00			CONNECTOR BODY, :CKT BD MT, 3 PRONG	80009	131-1003-00
J400	131-1003-00			CONNECTOR BODY, :CKT BD MT, 3 PRONG	80009	131-1003-00
J405	131-1003-00			CONNECTOR BODY, :CKT BD MT, 3 PRONG	80009	131-1003-00
J410	131-1003-00			CONNECTOR BODY, :CKT BD MT, 3 PRONG	80009	131-1003-00
J430	131-1003-00			CONNECTOR BODY, :CKT BD MT, 3 PRONG	80009	131-1003-00
J435	131-0955-00			CONNECTOR, RCPT, :BNC, FEMALE	24931	28JR200-1
J510	131-0955-00			CONNECTOR, RCPT, :BNC, FEMALE	24931	28JR200-1
J584	131-1003-00			CONNECTOR BODY, :CKT BD MT, 3 PRONG	80009	131-1003-00
J589	131-0955-00			CONNECTOR, RCPT, :BNC, FEMALE	24931	28JR200-1
J664	131-1003-00			CONNECTOR BODY, :CKT BD MT, 3 PRONG	80009	131-1003-00
J674	131-1003-00			CONNECTOR BODY, :CKT BD MT, 3 PRONG	80009	131-1003-00
J694	131-1003-00			CONNECTOR BODY, :CKT BD MT, 3 PRONG	80009	131-1003-00
J702	131-1003-00			CONNECTOR BODY, :CKT BD MT, 3 PRONG	80009	131-1003-00
J704	131-1003-00			CONNECTOR BODY, :CKT BD MT, 3 PRONG	80009	131-1003-00
J706	131-1003-00			CONNECTOR BODY, :CKT BD MT, 3 PRONG	80009	131-1003-00
J720	131-0955-00			CONNECTOR, RCPT, :BNC, FEMALE	24931	28JR200-1
J824	131-1003-00			CONNECTOR BODY, :CKT BD MT, 3 PRONG	80009	131-1003-00
J829	131-0955-00			CONNECTOR, RCPT, :BNC, FEMALE	24931	28JR200-1
J1101	131-1003-00			CONNECTOR BODY, :CKT BD MT, 3 PRONG	80009	131-1003-00
J1302	131-1003-00			CONNECTOR BODY, :CKT BD MT, 3 PRONG	80009	131-1003-00
J1330	131-0955-00			CONNECTOR, RCPT, :BNC, FEMALE	24931	28JR200-1
J1333	131-1003-00			CONNECTOR BODY, :CKT BD MT, 3 PRONG	80009	131-1003-00
J1334	131-1003-00			CONNECTOR BODY, :CKT BD MT, 3 PRONG	80009	131-1003-00
J1478	131-0771-00			CONNECTOR, RCPT, :4 CONT, QUICK DISCONNECT	80009	131-0771-00
J1479	131-0771-00			CONNECTOR, RCPT, :4 CONT, QUICK DISCONNECT	80009	131-0771-00
K1103	148-0076-00			RELAY, REED :	24211	GB831A-22
L141 ¹						
L142 ¹						
L147 ¹						

¹Part of Circuit Board.

Ckt No.	Tektronix Part No.	Serial/Model No.		Name & Description	Mfr	
		Eff	Dscont		Code	Mfr Part Number
L148 ¹						
L151	108-0743-00			COIL,RF:52NH	80009	108-0743-00
L152	108-0743-00			COIL,RF:52NH	80009	108-0743-00
L170	108-0440-00			COIL,RF:8UH,TOROIDAL INDUCTOR	80009	108-0440-00
L171	276-0528-00	B010100	B029999	SHIELDING BEAD, :0.1UH	80009	276-0528-00
L171	276-0507-00	B030000	B099999	SHIELDING BEAD, :0.6UH	78488	57-0180-7D
L171	276-0528-00	B100000		SHIELDING BEAD, :0.1UH	80009	276-0528-00
L172	276-0507-00			SHIELDING BEAD, :0.6UH	78488	57-0180-7D
L174	276-0528-00	B010100	B029999	SHIELDING BEAD, :0.1UH	80009	276-0528-00
L174	276-0507-00	B030000	B099999	SHIELDING BEAD, :0.6UH	78488	57- 0180-7D
L174	276-0528-00			SHIELDING BEAD, :0.1UH	80009	276-0528-00
L180	108-0440-00			COIL,RF:8UH,TOROIDAL INDUCTOR	80009	108-0440-00
L182	276-0507-00			SHIELDING BEAD, :0.6UH	78488	57-0180-7D
L241 ¹						
L242 ¹						
L247 ¹						
L248 ¹						
L251	108-0743-00			COIL,RF:52NH	80009	108-0743-00
L252	108-0743-00			COIL,RF : 52NH	80009	108-0743-00
L270	108-0440-00			COIL,RF:8UH,TOROIDAL INDUCTOR	80009	108-0440-00
L271	276-0528-00	B010100	B029999	SHIELDING BEAD, :0.1UH	80009	276-0528-00
L271	276-0507-00	B030000	B099999	SHIELDING BEAD, :0.6UH	78488	57-0180-7D
L271	276-0528-00	B100000		SHIELDING BEAD, :0.1UH	80009	276-0528-00
L272	276-0507-00			SHIELDING BEAD, :0.6UH	78488	57-0180-7D
L274	276-0528-00	B010100	B029999	SHIELDING BEAD, :0.1UH	80009	276-0528-00
L274	276-0507-00	B030000	B099999	SHIELDING BEAD, :0.6UH	78488	57-0180-7D
L274	276-0528-00	B100000		SHIELDING BEAD, :0.1UH	80009	276-0528-00
L280	108-0440-00			COIL,RF:8UH,TOROIDAL INDUCTOR	80009	108-0440-00
L282	276-0507-00			SHIELDING BEAD, :0.6UH	78488	57-0180-7D
L291	108-0440-00			COIL,RF:8UH,TOROIDAL INDUCTOR	80009	108-0440-00
L292	108-0440-00			COIL,RF:8UH,TOROIDAL INDUCTOR	80009	108-0440-00
L297	108-0440-00			COIL,RF:8UH,TOROIDAL INDUCTOR	80009	108-0440-00
L375	108-0182-00			COIL,RF:0.3UH	80009	108-0182-00
L376	108-0182-00			COIL,RF:0.3UH	80009	108-0182-00
L435	276-0588-00			CORE,FERRITE:	01121	TD451S416BA
L439	108-0440-00			COIL,RF:8UH,TOROIDAL INDUCTOR	80009	108-0440-00
L441 ¹						
L442 ¹						
L444 ¹						
L445 ¹						
L446		B010100	B089999X	#22 BARE STRAP		
L480	276-0528-00	XB218650		SHIELDING BEAD:0.1UH	80009	276-0528-00
L498	108-0440-00			COIL,RF:8UH,TOROIDAL INDUCTOR	80009	108-0440-00
L499	108-0440-00			COIL,RF:8UH,TOROIDAL INDUCTOR	80009	108-0440-00
L506 ²	276-0507-00	XB150000		SHIELDING BEAD, :0.6UH	78488	57-0 180-7D
L546	108-0433-00			COIL,RF:0.09UH	80009	108-0433-00
L551	108-0433-00			COIL,RF:0.09UH	80009	108-0433-00
L552	276-0528-00	B010100	B059999X	SHIELDING BEAD, :0.1UH	80009	276-0528-00
L562	276-0528-00	B010100	B059999X	SHIELDING BEAD, :0.1UH	80009	276-0528-00
L572	276-0507-00			SHIELDING BEAD, :0.6UH	78488	57-0180-7D
L574	276-0507-00			SHIELDING BEAD, :0.6UH	78488	57-0180-7D
L584	276-0507-00	B010100	B029999X	SHIELDING BEAD, :0.6UH	78488	57-0180-7D
L588	276-0507-00	XB030000		SHIELDING BEAD, :0.6UH	78488	57-0180-7D
L600	120-0402-00	XB020000		XFMR,TOROID:3 TURNS SINGLE	80009	120-0402-00
L669 ²	276-0507-00	XB030000		SHIELDING BEAD, :0.6UH	78488	57-0180-7D
L716 ²	276-0507-00	XB150000		SHIELDING BEAD, :0.6UH	78488	57-0180 -7D

¹Part of Circuit Board.²Selected and added if necessary.

Electrical Parts List-475

Ckt No	Tektronix Part No.	Serial/Model No. Eff	Dscont	Name & Description	Mfr Code	Mfr Part Number
L746 ¹	276-0507-00	XB150000		SHIELDING BEAD, :0.6UH	78488	57-0180-7D
L771	108-0433-00			COIL, RF :0.09UH	80009	108-0433-00
L772	276-0528-00			SHIELDING BEAD, :0.1UH	80009	276-0528-00
L781	108-0433-00			COIL, RF :0.09UH	80009	108-0433-00
L782	276-0528-00			SHIELDING BEAD, :0.1UH	80009	276-0528-00
L794	276-0507-00	B010100	B059999X	SHIELDING BEAD, :0.6UH	78488	57-0180-7D
L802	276-0507-00	XB050000		SHIELDING BEAD, :0.6UH	78488	57-0180-7D
L804	276-0507-00	XB050000		SHIELDING BEAD, :0.6UH	78488	57-0180-7D
L826	276-0507-00	XB050000		SHIELDING BEAD, :0.6UH	78488	57-0180-7D
L917	108-0750-00			COIL, RF :9.3UH	80009	108-0750-00
L922	276-0507-00			SHIELDING BEAD, :0.6UH	78488	57-0180-7D
L984	276-0507-00			SHIELDING BEAD, :0.6UH	78488	57-0180-7D
LL018	120-0407-00			XFMR, TOROID :5 TURNS SINGLE	80009	120-0407-00
LL091	276-0507-00			SHIELDING BEAD, :0.6UH	78488	57-0180-7D
LL093	276-0507-00			SHIELDING BEAD, :0.6UH	78488	57-0180-7D
LL102	108-0538-00			COIL, RF :2.7UH	76493	70F276A1
LL103	114-0278-00			COIL, RF :4.6-16.7UH, CORE 276-0568-00	80009	114-0278-00
LL209	108-0245-00	B010100	B079999X	COIL, RF :3.9UH	80009	108-0245-00
LL231	276-0507-00			SHIELDING BEAD, :0.6UH	78488	57-0180-7D
LL232	276-0507-00	B010100	B079999	SHIELDING BEAD, :0.6UH	78488	57-0180-7D
LL232	276-0507-00	B080000		SHIELDING BEAD, :0.6UH	78488	57-0180-7D
LL251	276-0507-00			SHIELDING BEAD, :0.6UH	78488	57-0180-7D
LL252	276-0507-00	XB080000		SHIELDING BEAD, :0.6UH	78488	57-0180-7D
LL261	108-0245-00			COIL, RF :3.9UH	80009	108-0245-00
LL263	108-0245-00			COIL, RF :3.9UH	80009	108-0245-00
LL265	108-0245-00			COIL, RF :3.9UH	80009	108-0245-00
LL318	108-0422-00			COIL, RF :80UH	80009	108-0422-00
LL330	108-0440-00			COIL, RF :8UH, TOROIDAL INDUCTOR	80009	108-0440-00
LL385	108-0714-00			COIL, TUBE DEFLECTOR AXIS ALIGNMENT	80009	108-0714-00
LL386	108-0713-00			COIL, TUBE DEFLECTOR TRACE ROTATION	80009	108-0713-00
LL387	108-0245-00			COIL, RF :3.9UH	80009	108-0245-00
LL388	108-0245-00			COIL, RF :3.9UH	80009	108-0245-00
LL394	276-0541-00	XB030000		SHIELDING BEAD :	78488	57-1506
LL511	108-0245-00			COIL, RF :3.9UH	80009	108-0245-00
LR377	108-0760-00	XB100000		COIL, RF :67MH	80009	108-0760-00
LR378	108-0760-00	XB100000		COIL, RF :67MH	80009	108-0760-00
LR467	108-0328-00	XB090000		COIL, RF :0.3UH	80009	108-0328-00
LR496	108-0685-00			COIL, RF :80NH	80009	108-0685-00
LR497	108-0685-00			COIL, RF :80NH	80009	108-0685-00
LR1335	108-0537-00	XB050000		COIL, RF :200UH	80009	108-0537-00
LR1336	108-0537-00	XB050000		COIL, RF :200UH	80009	108-0537-00
Q172	151-0271-00			TRANSISTOR : SILICON, PNP	01295	SKA4504
Q178	151-0271-00	B010100	B099999	TRANSISTOR : SILICON, PNP	01295	SKA4504
Q178	151-0434-00	B100000		TRANSISTOR : SILICON, PNP	04713	2N4261
Q182	151-0271-00			TRANSISTOR : SILICON, PNP	01295	SKA4504
Q184	151-0188-00			TRANSISTOR : SILICON, PNP	04713	2N3906
Q188	151-0271-00	B010100	B099999	TRANSISTOR : SILICON, PNP	01295	SKA4504
Q188	151-0434-00	B100000		TRANSISTOR : SILICON, PNP	04713	2N4261
Q272	151-0271-00			TRANSISTOR : SILICON, PNP	01295	SKA4504
Q278	151-0271-00	B010100	B069999	TRANSISTOR : SILICON, PNP	01295	SKA4504
Q278	151-0434-00	B100000		TRANSISTOR : SILICON, PNP	04713	2N4261
Q282	151-0271-00			TRANSISTOR : SILICON, PNP	01295	SKA4504
Q284	151-0188-00			TRANSISTOR : SILICON, PNP	04713	2N3906
Q288	151-0271-00	B010100	B069999	TRANSISTOR : SILICON, PNP	01295	SKA4504

¹ Selected and added if necessary.

Ckt No.	Tektronix Part No.	Serial/Model No. Eff	Dscont	Name & Description	Mfr Code	Mfr Part Number
Q288	151-0434-00	B100000		TRANSISTOR: SILICON ,PNP	04713	2N4261
Q312	151-0301-00	B010100	B159999	TRANSISTOR: SILICON ,PNP	04713	2N2907A
Q312	151-0435-00	B160000		TRANSISTOR: SILICON ,PNP	04713	MPS-A65
Q314	151-0301-00			TRANSISTOR : SILICON ,PNP	04713	2N2907A
Q322	151-0301-00	B010100	B159999	TRANSISTOR: SILICON ,PNP	04713	2N2907A
Q322	151-0435-00	B160000		TRANSISTOR: SILICON ,PNP	04713	MPS-A65
Q324	151-0301-00			TRANSISTOR : SILICON ,PNP	04713	2N2907A
Q338	151-0301-00			TRANSISTOR: SILICON ,PNP	04713	2N2907A
Q348	151-0301-00			TRANS ISTOR: SILICON ,PNP	04713	2N2907A
Q390	151-0367-00	B010100	B119999	TRANSISTOR: SILICON ,NPN,SEL FROM 3571TP	80009	151-0367-00
Q390	151-0441-00	B120000		TRANSISTOR: SILICON ,NPN	80009	151-0441-00
Q396	151-0271-00			TRANSISTOR : SILICON ,PNP	01295	SKA4504
Q420	151-0367-00	B010100	B010309	TRANSISTOR: SILICON ,NPN,SEL FROM 3571TP	80009	151-0367-00
Q420	151-0223-00	B010310		TRANSISTOR: SILICON ,NPN	07263	S24848
Q430	151-0188-00			TRANSISTOR: SILICON ,PNP	04713	2N3906
Q444	151-0301-00			TRANSISTOR : SILICON ,PNP	04713	2N2907A
Q502	151-0367-00			TRANSISTOR: SILICON ,NPN, SEL FROM 3571TP	80009	151-0367-00
Q504	151-0367-00			TRANSISTOR: SILICON ,NPN,SEL FROM 3571TP	80009	151-0367-00
Q506	151-0367-00			TRANSISTOR: SILICON ,NPN,SEL FROM 3571TP	80009	151-0367-00
Q522	151-1042-00			SEMICON DVC SE: MATCHED PAIR FET	80009	151-1042-00
Q524						
Q526	151-0221-00			TRANSISTOR: SILICON ,PNP	07263	S24849
Q532	151-0188-00			TRANSISTOR: SILICON ,PNP	04713	2N3906
Q552	151-0369-00	B010100	B059999	TRANSISTOR: SILICON ,PNP	01295	SKA6664
Q552	151-0434-00	B060000		TRANSISTOR : SILICON ,PNP	04713	2N4261
Q556	151-0221-00			TRANSISTOR: SILICON ,PNP	07263	S24849
Q562	151-0369-00	B010100	B059999	TRANSISTOR: SILICON ,PNP	01295	SKA6664
Q562	151-0434-00	B060000		TRANSISTOR: SILICON ,PNP	04713	2N4261
Q566	151-0221-00			TRANS ISTOR: SILICON ,PNP	07263	S24849
Q572	151-0199-00			TRANSISTOR: SILICON ,PNP	04713	MPS3640
Q574	151-0199-00			TRANSISTOR: SILICON ,PNP	04713	MPS3640
Q584	151-0190-00			TRANSISTOR: SILICON ,NPN	04713	2N3904
Q588	151-0199-00			TRANSISTOR : SILICON ,PNP	04713	MPS3640
Q594	151-0190-00			TRANSISTOR: SILICON ,NPN		
Q596	151-0188-00			TRANSISTOR: SILICON ,PNP		
Q612	151-0223-00			TRANSISTOR: SILICON ,NPN		
Q628	151-0223-00			TRANSISTOR: SILICON ,NPN	07263	S24848
Q644	151-0350-00			TRANSISTOR: SILICON ,PNP	07263	2N5401
Q662	151-0221-00			TRANSISTOR: SILICON ,PNP	07263	S24849
Q664	151-0367-00			TRANSISTOR: SILICON ,NPN,SEL FROM 3571TP	80009	151-0367-00
Q672	151-0221-00			TRANSISTOR: SILICON ,PNP	07263	S24849
Q674	151-0367-00			TRANSISTOR: SILICON ,NPN,SEL FROM 3571TP	80009	151-0367-00
Q680	151-0188-00			TRANSISTOR: SILICON ,PNP	04713	2N3906
Q688	151-0223-00	B010100	B010161	TRANSISTOR: SILICON ,NPN	07263	S24848
Q688	151-0367 -00	B010162		TRANSISTOR: SILICON ,NPN, SEL FROM 3571TP	80009	151-0367-00
Q698	151-0223-00	B010100	B010161	TRANSISTOR: SILICON ,NPN	07263	S24848
Q698	151-0367-00	B010162		TRANSISTOR: SILICON ,NPN, SEL FROM 3571TP	80009	151-0367-00
Q712	151-0367-00			TRANSISTOR: SILICON ,NPN, SEL FROM 3571TP	80009	151-0367-00
Q714	151-0367-00			TRANSISTOR: SILICON ,NPN, SEL FROM 3571TP	80009	151-0367-00
Q716	151-0367-00			TRANSISTOR: SILICON ,NPN, SEL FROM 3571TP	80009	151-0367-00
Q742	151-1042-00			SEMICON DVC SE: MATCHED PAIR FET	80009	151-1042-00
Q744						
Q746	151-0221-00			TRANSISTOR: SILICON ,PNP	07263	S24849
Q752	151-0188-00			TRANSISTOR: SILICON ,PNP	04713	2N3906
Q772	151-0271-00	B010100	B059999	TRANSISTOR: SILICON ,PNP	01295	SKA4504

Electrical Parts List-475

Ckt No.	Tektronix Part No.	Serial/Model No. Eff	Dscont	Name & Description	Mfr Code	Mfr Part Number
Q772	151-0434-00	B060000		TRANSISTOR: SILICON, PNP	04713	2N4261
Q776	151-0221-00			TRANSISTOR: SILICON, PNP	07263	S24849
Q782	151-0271-00	B010100	B059999	TRANSISTOR: SILICON, PNP	01295	SKA4504
Q782	151-0434-00	B060000		TRANSISTOR: SILICON, PNP	04713	2N4261
Q786	151-0221-00			TRANSISTOR: SILICON, PNP	07263	S24849
Q788	151-0190-00			TRANSISTOR: SILICON, NPN	04713	2N3904
Q790	151-0223-00			TRANSISTOR: SILICON, NPN	07263	S24848
Q792	151-0223-00			TRANSISTOR: SILICON, NPN	07263	S24848
Q794	151-0188-00			TRANSISTOR: SILICON, PNP	04713	2N3906
Q796	151-0188-00			TRANSISTOR: SILICON, PNP	04713	2N3906
Q798	151-0190-00			TRANSISTOR: SILICON, NPN	04713	2N3904
Q802	151-0199-00			TRANSISTOR: SILICON, PNP	04713	MPS3640
Q804	151-0199-00			TRANSISTOR: SILICON, PNP	04713	MPS3640
Q824	151-0190-00			TRANSISTOR: SILICON, NPN	04713	2N3904
Q826	151-0199-00			TRANSISTOR: SILICON, PNP	04713	MPS3640
Q902	151-0199-00			TRANSISTOR: SILICON, PNP	04713	MPS3640
Q904	151-0190-01			TRANSISTOR: SILICON, NPN	07910	TE23652
Q914	151-0261-00			TRANSISTOR: SILICON, PNP, DUAL	12040	NS7410
Q920	151-1025-00			TRANSISTOR: SILICON, JFE, N-CHANNEL	01295	SBA8129
Q922	151-0127-00			TRANSISTOR: SILICON, NPN	07263	S6075
Q926A,B	151-1036-00			TRANSISTOR: SILICON, JFE, N-CHANNEL, DUAL	21845	FD1551
Q928	151-0190-00			TRANSISTOR: SILICON, NPN	04713	2N3904
Q938	151-0261-00			TRANSISTOR: SILICON, PNP, DUAL	12040	NS7410
Q940	151-0190-00	B010100	B199999	TRANSISTOR: SILICON, NPN	04713	2N3904
Q940	151-0223-00	B200000		TRANSISTOR: SILICON, NPN	07263	S24848
Q944	151-0190-00			TRANSISTOR: SILICON, NPN	04713	2N3904
Q946	151-0190-00			TRANSISTOR: SILICON, NPN	04713	2N3904
Q956	151-0188-00			TRANSISTOR: SILICON, PNP	04713	2N3906
Q972	151-0188-00			TRANSISTOR: SILICON, PNP	04713	2N3906
Q974	151-0190-01			TRANSISTOR: SILICON, NPN	07910	TE23652
Q980	151-1025-00			TRANSISTOR: SILICON, JFE, N-CHANNEL	01295	SBA8129
Q984	151-0127-00			TRANSISTOR: SILICON, NPN	07263	S6075
Q988	151-0188-00			TRANSISTOR: SILICON, PNP	04713	2N3906
Q992	151-0188-00			TRANSISTOR: SILICON, PNP	04713	2N3906
Q996	151-0199-00			TRANSISTOR: SILICON, PNP	04713	MPS3640
Q1002	151-0347-00			TRANSISTOR: SILICON, NPN	80009	151-0347-00
Q1004	151-0367-00			TRANSISTOR: SILICON, NPN, SEL FROM 3571TP	80009	151-0367-00
Q1008	151-0347-00			TRANSISTOR: SILICON, NPN	80009	151-0347-00
Q1010	151-1025-00			TRANSISTOR: SILICON, JFE, N-CHANNEL	01295	SBA8129
Q1014	151-0127-00			TRANSISTOR: SILICON, NPN	07263	S6075
Q1018	151-0188-00			TRANSISTOR: SILICON, PNP	04713	2N3906
Q1022	151-0190-00	B010100	B199999	TRANSISTOR: SILICON, NPN	04713	2N3904
Q1022	151-0223-00	B200000		TRANSISTOR: SILICON, NPN	07263	S24848
Q1026	151-0188-00			TRANSISTOR: SILICON, PNP	04713	2N3906
Q1034	151-0190-00			TRANSISTOR: SILICON, NPN	04713	2N3904
Q1044	151-0190-00			TRANSISTOR: SILICON, NPN	04713	2N3904
Q1052	151-0350-00			TRANSISTOR: SILICON, PNP	07263	2N5401
Q1054	151-0350-00			TRANSISTOR: SILICON, PNP	07263	2N5401
Q1056	151-0350-00			TRANSISTOR: SILICON, PNP	07263	2N5401
Q1058	151-0350-00			TRANSISTOR: SILICON, PNP	07263	2N5401
Q1086	151-0190-00			TRANSISTOR: SILICON, NPN	04713	2N3904
Q1099	151-0190-00	XB180000		TRANSISTOR: SILICON, NPN	04713	2N3904
Q1112	151-0302-00	XB080000		TRANSISTOR: SILICON, NPN	04713	2N2222A
Q1114	151-0302-00	B010100	B079999	TRANSISTOR: SILICON, NPN	04713	2N2222A
Q1114	151-0127-00	B080000		TRANSISTOR: SILICON, NPN	07263	S6075

Ckt No.	Tektronix Part No.	Serial/Model No.		Name & Description	Mfr	
		Eff	Dscont		Code	Mfr Part Number
Q1124	151-0367-00	B010100	B079999	TRANSISTOR:SILICON,NPN,SEL FROM 3571TP	80009	151-0367-00
Q1124	151-0212-00	B080000		TRANSISTOR:SILICON,NPN	73445	A485
Q1134	151-0367-00	B010100	B079999	TRANSISTOR:SILICON,NPN,SEL FROM 3571TP	80009	151-0367-00
Q1134	151-0212-00	B080000		TRANSISTOR:SILICON,NPN	73445	A485
Q1140	151-0302-00	B010100	B079999	TRANSISTOR:SILICON,NPN	04713	2N2222A
Q1140	151-0223-00	B080000		TRANSISTOR:SILICON,NPN	07263	S24848
Q1152	151-0325-00			TRANSISTOR:SILICON,PNP,SEL FROM 2N4258	80009	151-0325-00
Q1162	151-0325-00			TRANSISTOR:SILICON,PNP,SEL FROM 2N4258	80009	151-0325-00
Q1164	151-0188-00			TRANSISTOR:SILICON,PNP	04713	2N3906
Q1172	151-0325-00			TRANSISTOR:SILICON,PNP,SEL FROM 2N4258	80009	151-0325-00
Q1174	151-0325-00			TRANSISTOR:SILICON,PNP,SEL FROM 2N4258		151-0325-00
Q1182	151-0367-00			TRANSISTOR:SILICON,NPN,SEL FROM 3571TP	80009	151-0367-00
Q1184	151-0367-00	B010100	B010274	TRANSISTOR:SILICON,NPN,SEL FROM 3571TP	80009	151-0367-00
Q1184	151-0127-00	B010275		TRANSISTOR:SILICON,NPN	07263	S6075
Q1188	151-0302-00			TRANSISTOR:SILICON,NPN	04713	2N2222A
Q1202	151-0270-00			TRANSISTOR:SILICON,PNP,SEL FROM 2N3495	03877	ST30032
Q1204	151-0124-00			TRANSISTOR:SILICON,NPN,SEL FROM 2N3501	04713	SM8138
Q1212	151-0270-00			TRANSISTOR:SILICON,PNP,SEL FROM 2N3495	03877	ST30032
Q1214	151-0124-00			TRANSISTOR:SILICON,NPN,SEL FROM 2N3501	04713	SM8138
Q1234	151-0188-00			TRANSISTOR:SILICON,PNP	04713	2N3906
Q1254	151-0188-00			TRANSISTOR:SILICON,PNP	04713	2N3906
Q1306	151-0126-00			TRANSISTOR:SILICON,NPN	07263	2N2484
Q1308	151-0301-00			TRANSISTOR:SILICON,PNP	04713	2N2907A
Q1310	151-0190-00			TRANSISTOR:SILICON,NPN	04713	2N3904
Q1312	151-0188-00			TRANSISTOR:SILICON,PNP	04713	2N3906
Q1316	151-0136-00			TRANSISTOR:SILICON,NPN	02735	35495
Q1318	151-0140-00			TRANSISTOR:SILICON,NPN	02735	36568
Q1332	151-0199-00			TRANSISTOR:SILICON,PNP	04713	MPS3640
Q1338	151-0367-00			TRANSISTOR:SILICON,NPN,SEL FROM 3571TP	80009	151-0367-00
Q1344	151-0188-00			TRANSISTOR:SILICON,PNP	04713	2N3906
Q1352	151-0124-00	B010100	B218899	TRANSISTOR:SILICON,NPN,SEL FROM 2N3501	04713	SM8138
Q1352	151-0407-00	B218900		TRANSISTOR:SILICON,NPN		
Q1354	151-0270-00	B010100	B218899	TRANSISTOR:SILICON,PNP,SEL FROM 2N3495	03877	ST30032
Q1354	151-0406-00	B218900		TRANSISTOR:SILICON,PNP		
Q1358	151-0199-00			TRANSISTOR:SILICON,PNP	04713	MPS3640
Q1362	151-0188-00			TRANSISTOR:SILICON,PNP	04713	2N3906
Q1424	151-0347-00			TRANSISTOR:SILICON,NPN	80009	151-0347-00
Q1426	151-0349-00			TRANSISTOR:SILICON,NPN SEL FROM MJE2801	04713	SJE924
Q1432	151-0347-00			TRANSISTOR:SILICON,NPN	80009	151-0347-00
Q1444	151-0302-00			TRANSISTOR:SILICON,NPN	04713	2N2222A
Q1446	151-0302-00			TRANSISTOR:SILICON,NPN	04713	2N2222A
Q1448	151-0349-00			TRANSISTOR:SILICON,NPN SEL FROM MJE2801	04713	SJE924
Q1454	151-0302-00			TRANSISTOR:SILICON,NPN	04713	2N2222A
Q1456	151-0390-00			TRANSISTOR:SILICON,NPN	04713	MPS-U45
Q1464	151-0302-00			TRANSISTOR:SILICON,NPN	04713	2N2222A
Q1466	151-0302-00			TRANSISTOR:SILICON,NPN	04713	2N2222A
Q1468	151-0349-00			TRANSISTOR:SILICON,NPN SEL FROM MJE2801	04713	SJE924
Q1474	151-0302-00			TRANSISTOR:SILICON,NPN	04713	2N2222A
Q1478	151-0260-02			TRANSISTOR:SILICON,NPN	04713	2N5859
Q1482	151-0390-00			TRANSISTOR:SILICON,NPN	04713	MPS-U45
Q1490	151-0190-00			TRANSISTOR:SILICON,NPN	04713	2N3904
Q1492	151-0302-00			TRANSISTOR:SILICON,NPN	04713	2N2222A
Q1494	151-0347-00			TRANSISTOR:SILICON,NPN	80009	151-0347-00
Q1496	151-0350-00	B010100	B079999	TRANSISTOR:SILICON,PNP	07263	2N5401
Q1496	151-0280-00	B080000		TRANSISTOR:SILICON,PNP,SEL FROM MM4003	80009	151-0280-00
Q1497	151-0301-00	XB080000		TRANSISTOR:SILICON,PNP	04713	2N2907A
Q1498	151-0302-00			TRANSISTOR:SILICON,NPN	04713	2N2222A

Electrical Parts List-475

Ckt No	Tektronix Part No.	Serial/Model No. Eff	Dscont	Name & Description	Mfr Code	Mfr Part Number
Q1502	151-0342-00			TRANSISTOR:SILICON,PNP	07263	2N4249
Q1504	151-0342-00			TRANSISTOR:SILICON,PNP	07263	2N4249
Q1512	151-0164-00			TRANSISTOR:SILICON,PNP	01295	SKB3334
Q1698	151-0301-00			TRANSISTOR:SILICON,PNP	04713	2N2907A
R10	315-0430-00			RES.,FXD,COMP:43 OHM,5%,0.25W	01121	CB4305
R13	316-0101-00			RES.,FXD,COMP:100 OHM,10%,0.25W	01121	CB1011
R22 (2)	316-0105-00			RES.,FXD,COMP:1M OHM,10%,0.25W	01121	CB1051
R24 (2)	315-0510-00			RES.,FXD,COMP:51 OHM,5%,0.25W	01121	CB5105
R32 (2)	317-0047-00			RES.,FXD,COMP:4.7 OHM,(NOM VALUE),SEL	01121	BB4R705
R33 (2)	315-0360-00			RES.,FXD,COMP:36 OHM,5%,0.25W	01121	CB3605
R34 (2)	317-0120-00	B010100	B010309	RES.,FXD,COMP:12 OHM,(NOM VALUE),SEL	01121	BB1205
R34 (2)	317-0047-00	B010310		RES.,FXD,COMP:4.7 OHM,(NOM VALUE),SEL	01121	BB4R705
R35 (2)	317-0390-00	XB010310		RES.,FXD,COMP:39 OHM,(NOM VALUE),SEL	01121	BB3905
R36 (2)	317-0120-00			RES.,FXD,COMP:12 OHM,(NOM VALUE),SEL	01121	BB1205
R39 (2)	321-0481-00			RES.,FXD,FILM:1M OHM,1%,0.125W	75042	CEAT0-1004F
R41	317-0474-00			RES.,FXD,COMP:470K OHM,5%,0.125W	01121	BB4745
R42	315-0300-00			RES.,FXD,COMP:30 OHM,5%,0.25W	01121	CB3005
R50	315-0430-00			RES.,FXD,COMP:43 OHM,5%,0.25W	01121	CB4305
R53	316-0101-00			RES.,FXD,COMP:100 OHM,10%,0.25W	01121	CB1011
R61	317-0474-00			RES.,FXD,COMP:470K OHM,5%,0.125W	01121	BB4745
R62	315-0300-00			RES.,FXD,COMP:30 OHM,5%,0.25W	01121	CB3005
R103	317-0120-00	XB120000		RES.,FXD,COMP:12 OHM,(NOM VALUE),SEL	01121	BB1205
R104	317-0391-00			RES.,FXD,COMP:390 OHM,5%,0.125W	01121	BB3915
R105	315-0470-00			RES.,FXD,COMP:47 OHM,5%,0.25W	01121	CB4705
R107	317-0101-00	XB100000		RES.,FXD,COMP:100 OHM,5%,0.125W	01121	BB1015
R108	317-0101-00	XB100000		RES.,FXD,COMP:100 OHM,5%,0.125W	01121	BB1015
R109	317-0332-00	B010100	B049999	RES.,FXD,COMP:3.3K OHM,5%,0.125W	01121	BB3325
R109	317-0332-00	B050000	B099999	RES.,FXD,COMP:3.3K OHM,(NOM VALUE),SEL	01121	BB3325
R109	311-1268-00	B100000		RES.,VAR,NONWIR:10K OHM,10%,0.50W	73138	62PT-351-0
R110	311-1268-00	B010100	B099999	RES.,VAR,NONWIR:10K OHM,10%,0.50W	73138	62PT-351-0
R110	311-1228-00	B100000		RES.,VAR,NONWIR:10K OHM,20%,0.50W	80294	3389F-P31-103
R111	315-0103-00			RES.,FXD,COMP:10K OHM,5%,0.25W	01121	CB1035
R112	311-1259-00			RES.,VAR,NONWIR:100 OHM,10%,0.50W	80294	3329 P-L58-101
R113	317-0102-00	B010100	B099999	RES.,FXD,COMP:1K OHM,5%,0.125W	01121	BB1025
R113	317-0681-00	B100000		RES.,FXD,COMP:680 OHM,5%,0.125W	01121	BB6815
R114	315-0151-00			RES.,FXD,COMP:150 OHM,5%,0.25W	01121	CB1515
R119	315-0300-00			RES.,FXD,COMP:30 OHM,5%,0.25W	01121	CB3005
R120	315-0104-00	B010100	B139999	RES.,FXD,COMP:100K OHM,5%,0.25W	01121	CB1045
R120	316-0154-00	B140000	B208099	RES.,FXD,COMP:150K OHM,10%,0.25W	01121	CB1541
R120	315-0154-00	B208100		RES.,FXD,COMP:150K OHM,5%,0.25W	01121	CB1545
R122	321-0239-00			RES.,FXD,FILM:3.01K OHM,1%,0.125W	91637	MFF1816G30100F
R123	315-0470-00	B010100	B049999	RES.,FXD,COMP:47 OHM,5%,0.25W	01121	CB4705
R123	316-0101-00	B050000		RES.,FXD,COMP:100 OHM,10%,0.25W	01121	CB1011
R124	321-0307-00			RES.,FXD,FILM:15.4K OHM,1%,0.125W	75042	CEAT0-1542F
R125	311-1226-00	B010100	B029999	RES.,VAR,NONWIR:2.5K OHM,20%,0.50W	80294	3389 F-P31-252
R125	315-0222-00	B030000		RES.,FXD,COMP:2.2K OHM,5%,0.25W	01121	CB2225
R126	321-0277-00			RES.,FXD,FILM:7.5K OHM,1%,0.125W	75042	CEAT0-7501F
R127	315-0470-00	B010100	B049999	RES.,FXD,COMP:47 OHM,5%,0.25W	01121	CB4705
R127	316-0101-00	B050000		RES.,FXD,COMP:100 OHM,10%,0.25W	01121	CB1011
R128 ¹	311-1403-00			RES.,VAR,NONWIR:5K OHM,20%,0.50W	01121	10M422
R129	316-0105-00	B010100	B208099	RES.,FXD,COMP:1M OHM,10%,0.25W	01121	CB1051
R129	315-0105-00	B208100		RES.,FXD,COMP:1M OHM,5%,0.25W	01121	CB1055
R130	321-0103-00			RES.,FXD,FILM:237 OHM,1%,0.125W	75042	CEAT0-2370F
R131	321-0133-00			RES.,FXD,FILM:237 OHM,1%,0.125W	75042	CEAT0-2370F

¹Furnished as a unit with S128.

Ckt No.	Tektronix		Serial/Model No.		Name & Description	Mfr	
	Part No.	Eff	Dscont	Code		Mfr Part Number	
R132	317-0101-00				RES.,FXD,COMP:100 OHM,5%,0.125W	01121	BB1015
R133	311-1259-00				RES.,VAR,NONWIR:100 OHM,10%,0.50W	80294	3329 P-L58-101
R134	317-0101-00				RES.,FXD,COMP:100 OHM,5%,0.125W	01121	BB1015
R135	311-1222-00				RES.,VAR,NONWIR:100 OHM,20%,0.50W	80294	338 9F-P31-101
R136	317-0101-00	B010100	B149999		RES.,FXD,COMP:100 OHM,5%,0.125W	01121	BB1015
R136	317-0101-00	B150000			RES.,FXD,COMP:100 OHM,(NOM VALUE),SEL	01121	BB1015
R137	317-0152-00	B010100	B010309		RES.,FXD,COMP:1.5K OHM,5%,0.125W	01121	BB1525
R137	317-0132-00	B010310	B099999		RES.,FXD,COMP:1.3K OHM,5%,0.125W	01121	BB1325
R137	317-0242-00	B100000			RES.,FXD,COMP:2.4K OHM,(NOM VALUE),SEL	01121	BB2425
R138	317-0242-00	B010100	B099999		RES.,FXD,COMP:2.4K OHM,5%,0.125W	01121	BB2425
R138	317-0202-00	B100000			RES.,FXD,COMP:2K OHM,(NOM VALUE),SEL	01121	BB2025
R139	311-0635-00				RES.,VAR,NONWIR:1K OHM,10%,0.50W	80740	62-56-3
R141 ¹	317-0120-00	XB050000			RES.,FXD,COMP:12 OHM,5%,0.125W	01121	BB1205
R142	321-0072-00	B010100	B069999		RES.,FXD,FILM:54.9 OHM,1%,0.125W	75042	CEATO-54R90F
R142	321-0072-00	B070000			RES.,FXD,FILM:54.9 OHM,(NOM VALUE),SEL	75042	CEATO-54R90F
R143	321-0072-00	B010100	B069999		RES.,FXD,FILM:54.9 OHM,1%,0.125W	75042	CEATO-54R90F
R143 o	321-0072-00	B070000			RES.,FXD,FILM:54.9 OHM,(NOM VALUE),SEL	75042	CEATO-54R90F
R144 ¹	317-0120-00	XB050000			RES.,FXD,COMP:12 OHM,5%,0.125W	01121	BB1205
R145	315-0470-00	B010100	B099999		RES.,FXD,COMP:47 OHM,5%,0.25W	01121	CB4705
R145	315-0620-00	B100000			RES.,FXD,COMP:62 OHM,5%,0.25W	01121	CB6205
R149	321-0260-00	B010100	B099999X		RES.,FXD,FILM:4.99K OHM,1%,0.125W	75042	CEATO-4991F
R151	321-0076-00				RES.,FXD,FILM:60.4 OHM,1%,0.125W	75042	CEATO-60R40F
R152	321-0076-00				RES.,FXD,FILM:60.4 OHM,1%,0.125W	75042	CEATO-60R40F
R154	321-0076-00				RES.,FXD,FILM:60.4 OHM,1%,0.125W	75042	CEATO-60R40F
R155	321-0076-00				RES.,FXD,FILM:60.4 OHM,1%,0.125W	75042	CEATO-60R40F
R156	321-0081-00				RES.,FXD,FILM:68.1 OHM,1%,0.125W	75042	CEATO-68R10F
R157	321-0024-00				RES.,FXD,FILM:17.4 OHM,1%,0.125W	75042	CEATO-17R40F
R161	315-0511-00				RES.,FXD,COMP:510 OHM,5%,0.25W	01121	CB5115
R162	321-0172-00				RES.,FXD,FILM:604 OHM,1%,0.125W	75042	CEATO-6040F
R163	321-0211-00				RES.,FXD,FILM:1.54K OHM,1%,0.125W	75042	CEATO-1541F
R164	321-0147-00				RES.,FXD,FILM:332 OHM,1%,0.125W	75042	CEATO-3320F
R165	311-1225-00				RES.,VAR,NONWIR:1K OHM,20%,0.50W	80294	3389F-P31-102
R168	315-0222-00				RES.,FXD,COMP:2.2K OHM,5%,0.25W	01121	CB2225
R170	315-0152-00	B010100	B029999		RES.,FXD,COMP:1.5K OHM,5%,0.25W	01121	CB1525
R170	315-0122-00	B030000			RES.,FXD,COMP:1.2K OHM,(NOM VALUE),SEL	01121	CB1225
R171	315-0100-00				RES.,FXD,COMP:10 OHM,5%,0.25W	01121	CB1005
R172	315-0471-00	B010100	B010244		RES.,FXD,COMP:470 OHM,5%,0.25W	01121	CB4715
R172	315-0331-00	B010245			RES.,FXD,COMP:330 OHM,5%,0.25W	01121	CB3315
R173	321-0018-00				RES.,FXD,FILM:15 OHM,1%,0.125W	75042	CEATO-15R00F
R174	315-0154-00				RES.,FXD,COMP:150K OHM,5%,0.25W	01121	CB1545
R175	311-1260-00				RES.,VAR,NONWIR:250 OHM,10%,0.50W	73138	62 PT-345-0
R176	311-1223-00	B010100	B010244		RES.,VAR,NONWIR:250 OHM,10%,0.50W	80294	3389 F-P32-251
R176	311-1266-00	B010245	B099999		RES.,VAR,NONWIR:2.5K OHM,10%,0.50W	73138	62 PT-349-0
R176	311-1226-00	B100000			RES.,VAR,NONWIR:2.5K OHM,20%,0.50W	80294	3389F-P31-252
R177	317-0201-00				RES.,FXD,COMP:200 OHM,5%,0.125W	01121	BB2015
R178	315-0391-00				RES.,FXD,COMP:390 OHM,5%,0.25W	01121	CB3915
R179	321-0152-00	B010100	B010244		RES.,FXD,FILM:374 OHM,1%,0.125W	75042	CEATO-3740F
R179	321-0164-00	B010245			RES.,FXD,FILM:499 OHM,1%,0.125W	75042	CEATO-4990F
R180	315-0152-00	B010100	B029999		RES.,FXD,COMP:1.5K OHM,5%,0.25W	01121	CB1525
R180	315-0122-00	B030000			RES.,FXD,COMP:1.2K OHM,(NOM VALUE),SEL	01121	CB1225
R181	315-0101-00				RES.,FXD,COMP:100 OHM,5%,0.25W	01121	CB1015
R182	315-0471-00	B010100	B010244		RES.,FXD,COMP:470 OHM,5%,0.25W	01121	CB4715
R182	315-0331-00	B010245			RES.,FXD,COMP:330 OHM,5%,0.25W	01121	CB3315
R183	321-0018-00				RES.,FXD,FILM:15 OHM,1%,0.125W	75042	CEATO-15R00F
R184	321-0067-00	B010100	B010244		RES.,FXD,FILM:48.7 OHM,1%,0.125W	75042	CEATO-48R70F

¹Selected and added if necessary.

Electrical Parts List-475

Ckt No.	Tektronix Part No.	Serial/Model No. Eff	Dscont	Name & Description	Mfr Code	Mfr Part Number
R184	321-0051-00	B010245		RES.,FXD,FILM:33.2 OHM,1%,0.125W	75042	CEATO-33R20F
R185	311-1397-00			RES.,VAR, NONWIR:2 X 5K OHM,20%,0.50W	01121	10M366A
R186	321-0152-00	B010100	B010244	RES.,FXD,FILM:374 OHM,1%,0.125W	75042	CEATO-3740F
R186	321-0148-00	B010245	B169999	RES.,FXD,FILM:340 OHM,1%,0.125W	75042	CEATO-3400F
R186 ¹	321-0127-00	B170000		RES.,FXD,FILM:205 OHM,1%,0.125W	75042	CEATO-2050F
R187	321-0231-00			RES.,FXD,FILM:2.49K OHM,1%,0.125W	75042	CEATO-2491F
R188	315-0391-00			RES.,FXD,COMP:390 OHM,5%,0.25W	01121	CB3915
R189	321-0152-00	B010100	B010244	RES.,FXD,FILM:374 OHM,1%,0.125W	75042	CEATO-3740F
R189	321-0164-00	B010245		RES.,FXD,FILM:499 OHM,1%,0.125W	75042	CEATO-4990F
R193	321-0097-00	XB030000		RES.,FXD,FILM:100 OHM,1%,0.125W	75042	CEATO-1000F
R194	321-0097-00	XB030000		RES.,FXD,FILM:100 OHM,1%,0.125W	75042	CEATO-1000F
R195	311-1266-00	XB030000		RES.,VAR, NONWIR:2.5K OHM,10%,0.50W	73138	62 PT-349-0
R196	315-0182-00	XB010245		RES.,FXD,COMP:1.8K OHM,5%,0.25W	01121	CB1825
R198	315-0182-00	XB010245		RES.,FXD,COMP:1.8K OHM,5%,0.25W	01121	CB1825
R203	317-0120-00	XB120000		RES.,FXD,COMP:1.2 OHM,(NOM VALUE),SEL	01121	BB1205
R204	317-0391-00			RES.,FXD,COMP:390 OHM,5%,0.125W	01121	BB3915
R205	315-0470-00			RES.,FXD,COMP:47 OHM,5%,0.25W	01121	CB4705
R207	317-0101-00	XB100000		RES.,FXD,COMP:100 OHM,5%,0.125W	01121	BB1015
R208	317-0101-00	XB100000		RES.,FXD,COMP:100 OHM,5%,0.125W	01121	BB1015
R209	317-0332-00	B010100	B049999	RES.,FXD,COMP:3.3K OHM,5%,0.125W	01121	BB3325
R209	317-0332-00	B050000	B099999	RES.,FXD,COMP:3.3K OHM,(NOM VALUE),SEL	01121	BB3325
R209	311-1268-00	B100000		RES.,VAR, NONWIR:10K OHM,10%,0.50W	73138	62 PT-351-0
R210	311-1228-00			RES.,VAR, NONWIR:10K OHM,20%,0.50W	80294	3389F-P31-103
R211	315-0103-00			RES.,FXD,COMP:10K OHM,5%,0.25W	01121	CB1035
R212	311-1259-00			RES.,VAR, NONWIR:100 OHM,10%,0.50W	80294	3329 P-L58-101
R213	317-0102-00	B010100	B099999	RES.,FXD,COMP:1K OHM,5%,0.125W	01121	BB1025
R213	317-0681-00	B100000		RES.,FXD,COMP:680 OHM,(NOM VALUE),SEL	01121	BB6815
R214	315-0151-00			RES.,FXD,COMP:150 OHM,5%,0.25W	01121	CB1515
R215	311-1268-00			RES.,VAR, NONWIR:10K OHM,10%,0.50W	73138	62PT-351-0
R216	315-0103-00			RES.,FXD,COMP:10K OHM,5%,0.25W	01121	CB1035
R217	321-0277-00			RES.,FXD,FILM:7.5K OHM,1%,0.125W	75042	CEATO-7501F
R218	321-0277-00			RES.,FXD,FILM:7.5K OHM,1%,0.125W	75042	CEATO-7501F
R219	315-0300-00			RES.,FXD,COMP:30 OHM,5%,0.25W	01121	CB3005
R220	315-0104-00	B010100	B139999	RES.,FXD,COMP:100K OHM,5%,0.25W	01121	CB1045
R220	316-0154-00	B140000	B208099	RES.,FXD,COMP:150K OHM,10%,0.25W	01121	CB1541
R220	315-0154-00	B208100		RES.,FXD,COMP:150K OHM,5%,0.25W	01121	CB1545
R221	321-0307-00			RES.,FXD,FILM:15.4K OHM,1%,0.125W	75042	CEATO-1542F
R222	321-0253-00			RES.,FXD,FILM:4.22K OHM,1%,0.125W	75042	CEATO-4221F
R223	315-0470-00	B010100	B049999	RES.,FXD,COMP:47 OHM,5%,0.25W	01121	CB4705
R223	316-0101-00	B050000		RES.,FXD,COMP:100 OHM,10%,0.25W	01121	CB1011
R224	321-0307-00			RES.,FXD,FILM:15.4K OHM,1%,0.125W	75042	CEATO-1542F
R225	311-1226-00	B010100	B029999	RES.,VAR, NONWIR:2.5K OHM,20%,0.50W	80294	3389 F-P31-252
R225	315-0222-00	B030000		RES.,FXD,COMP:2.2K OHM,5%,0.25W	01121	CB2225
R226	321-0253-00			RES.,FXD,FILM:4.22K OHM,1%,0.125W	75042	CEATO-4221F
R227	315-0470-00	B010100	B049999	RES.,FXD,COMP:47 OHM,5%,0.25W	01121	CB4705
R227	316-0101-00	B050000		RES.,FXD,COMP:100 OHM,10%,0.25W	01121	CB1011
R228 ²	311-1403-00			RES.,VAR, NONWIR:5K OHM,20%,0.50W	01121	10M422
R229	316-0105-00	B010100	B208099	RES.,FXD,COMP:1M OHM,10%,0.25W	01121	CB1051
R229	315-0105-00	B208100		RES.,FXD,COMP:1M OHM,5%,0.25W	01121	CB1055
R230	321-0133-00			RES.,FXD,FILM:237 OHM,1%,0.125W	75042	CEATO-2370F
R231	321-0133-00			RES.,FXD,FILM:237 OHM,1%,0.125W	75042	CEATO-2370F
R232	317-0101-00			RES.,FXD,COMP:100 OHM,5%,0.125W	01121	BB1015
R233	311-1259-00			RES.,VAR, NONWIR:100 OHM,10%,0.50W	80294	3329 P-L58-101
R234	317-0101-00			RES.,FXD,COMP:100 OHM,5%,0.125W	01121	BB1015
R235	311-1222-00			RES.,VAR, NONWIR:100 OHM,20%,0.50W	80294	3389 F-P31-101

¹For some S/N R186 will consist of 340 ohm paralleled by 510 ohm. Replace with a single 205 ohm resistor.

²Furnished as a unit with S228.

Ckt No.	Tektronix Part No.	Serial/Model No.		Name & Description	Mfr	
		Eff	Dscont		Code	Mfr Part Number
R236	317-0101-00	B010100	B049999	RES.,FXD,COMP:100 OHM,5%,0.125W	01121	BB1015
R236	317-0101-00	B150000		RES.,FXD,COMP:100 OHM,(NOM VALUE),SEL	01121	BB1015
R237	317-0152-00	B010100	B010309	RES.,FXD,COMP:1.5K OHM,5%,0.125W	01121	BB1525
R237	317-0 132-00	B010310	B099999	RES.,FXD,COMP:1.3K OHM,5%,0.125W	01121	BB1325
R237	317-0242-00	B100000		RES.,FXD,COMP:2.4K OHM,(NOM VALUE),SEL	01121	BB2425
R238	317-0242-00	B010100	B099999	RES.,FXD,COMP:2.4K OHM,5%,0.125W	01121	BB2425
R238	317-0202-00	B100000		RES.,FXD,COMP:2K OHM,(NOM VALUE),SEL	01121	BB2025
R239	311-0635-00			RES.,VAR,NONWIR:1K OHM,10%,0.50W	80740	62-56-3
R241 ¹	317-0120-00	XB050000		RES.,FXD,COMP:12 OHM,5%,0.125W	01121	BB1205
R242	321-0072-00	B010100	B069999	RES.,FXD,FILM:54.9 OHM,1%,0.125W	75042	CEATO-54R90F
R242	321-0072-00	B070000		RES.,FXD,FILM:54.9 OHM,(NOM VALUE),SEL	75042	CEATO-54R90F
R243	321-0072-00	B010100	B069999	RES.,FXD,FILM:54.9 OHM,1%,0.125W	75042	CEATO-54R90F
R243	321-0072-00	B070000		RES.,FXD,FILM:54.9 OHM,(NOM VALUE),SEL	75042	CEATO-54R90F
R244 ¹	317-0120-00	XB050000		RES.,FXD,COMP:12 OHM,5%,0.125W	01121	BB1205
R245	315-0470-00	B010100	B099999	RES.,FXD,COMP:47 OHM,5%,0.25W	01121	CB4705
R245	315-0620-00	B100000		RES.,FXD,COMP:62 OHM,5%,0.25W	01121	CB6205
R249	321-0260-00	B010100	B099999X	RES.,FXD,FILM:4.99K OHM,1%,0.125W	75042	CEATO-4991F
R251	321-0076-00			RES.,FXD,FILM:60.4 OHM,1%,0.125W	75042	CEATO-60R40F
R252	321-0076-00			RES.,FXD,FILM:60.4 OHM,1%,0.125W	75042	CEATO-60R40F
R254	321-0076-00			RES.,FXD,FILM:60.4 OHM,1%,0.125W	75042	CEATO-60R40F
R255	321-0076-00			RES.,FXD,FILM:60.4 OHM,1%,0.125W	75042	CEATO-60R40F
R256	321-0081-00			RES.,FXD,FILM:68.1 OHM,1%,0.125W	75042	CEATO-68R10F
R257	321-0024-00			RES.,FXD,FILM:17.4 OHM,1%,0.125W	75042	CEATO-17R40F
R261	315-0511-00			RES.,FXD,COMP:510 OHM,5%,0.25W	01121	CB5115
R262	321-0172-00			RES.,FXD,FILM:604 OHM,1%,0.125W	75042	CEATO-6040F
R263	321-0211-00			RES.,FXD,FILM:1.54K OHM,1%,0.125W	75042	CEATO-1541F
R264	321-0147-00			RES.,FXD,FILM:332 OHM,1%,0.125W	75042	CEATO-3320F
R265	311-1225-00			RES.,VAR,NONWIR:1K OHM,20%,0.50W	80294	3389F-P31-102
R268	315-0222-00			RES.,FXD,COMP:2.2K OHM,5%,0.25W	01121	CB2225
R270	315-0152-00	B010100	B029999	RES.,FXD,COMP:1.5K OHM,5%,0.25W	01121	CB1525
R270	315-0122-00	B030000		RES.,FXD,COMP:1.2K OHM,(NOM VALUE),SEL	01121	CB1225
R271	315-0100-00			RES.,FXD,COMP:10 OHM,5%,0.25W	01121	CB1005
R272	315-0471-00	B010100	B010244	RES.,FXD,COMP:470 OHM,5%,0.25W	01121	CB4715
R272	315-0331-00	B010245		RES.,FXD,COMP:330 OHM,5%,0.25W	01121	CB3315
R273	321-0018-00			RES.,FXD,FILM:15 OHM,1%,0.125W	75042	CEATO-15R00F
R274	315-0154-00			RES.,FXD,COMP:150K OHM,5%,0.25W	01121	CB1545
R275	311-1260-00			RES.,VAR,NONWIR:250 OHM,10%,0.50W	73138	62 PT-345-0
R276	311-1223-00	B010100	B010244	RES.,VAR,NONWIR:250 OHM,10%,0.50W	80294	3389F-P32-251
R276	311-1266-00	B010245	B099999	RES.,VAR,NONWIR:2.5K OHM,10%,0.50W	73138	62PT-349-0
R276	311-1226-00	B100000		RES.,VAR,NONWIR:2.5K OHM,20%,0.50W	80294	3389F-P31-252
R277	317-0201-00			RES.,FXD,COMP:200 OHM,5%,0.125W	01121	BB2015
R278	315-0391-00			RES.,FXD,COMP:390 OHM,5%,0.25W	01121	CB3915
R279	321-0152-00	B010100	B010244	RES.,FXD,FILM:374 OHM,1%,0.125W	75042	CEATO-3740F
R279	321-0164-00	B010245		RES.,FXD,FILM:499 OHM,1%,0.125W	75042	CEATO-4990F
R280	315-0152-00	B010100	B029999	RES.,FXD,COMP:1.5K OHM,5%,0.25W	01121	CB1525
R280	315-0122-00	B030000		RES.,FXD,COMP:1.2K OHM,(NOM VALUE),SEL	01121	CB1225
R281	315-0101-00			RES.,FXD,COMP:100 OHM,5%,0.25W	01121	CB1015
R282	315-0471-00	B010100	B010244	RES.,FXD,COMP:470 OHM,5%,0.25W	01121	CB4715
R282	315-0331-00	B010245		RES.,FXD,COMP:330 OHM,5%,0.25W	01121	CB3315
R283	321-0018-00			RES.,FXD,FILM:15 OHM,1%,0.125W	75042	CEATO-15R00F
R284	321-0067-00	B010100	B010244	RES.,FXD,FILM:48.7 OHM,1%,0.125W	75042	CEATO-48R70F
R284	321-0051-00	B010245		RES.,FXD,FILM:33.2 OHM,1%,0.125W	75042	CEATO-33R20F
R285	311-1397-00			RES.,VAR,NONWIR:2 X 5K OHM,20%,0.50W	01121	10M366A
R286	321-0152-00	B010100	B010244	RES.,FXD,FILM:374 OHM,1%,0.125W	75042	CEATO-3740F
R2	321-0148-00	B010245	B169999	RES.,FXD,FILM:340 OHM,1%,0.125W	75042	CEATO-3400F

¹Selected and added if necessary.

Electrical Parts List—475

Ckt No.	Tektronix Part No.	Serial/Model No. Eff	Dscont	Name & Description	Mfr Code	Mfr Part Number
R286 ¹	321-0127-00	B170000		RES.,FXD, FILM:205 OHM,1%, 0.125W	75042	CEATO-2050F
R287	321-0231-00			RES.,FXD, FILM: 2.49K OHM,1%, 0.125W	75042	CEATO-2491F
R288	315-0391-00			RES.,FXD,COMP:390 OHM,5%,0.25W	01121	CB3915
R289	321-0152-00	B010100	B010244	RES.,FXD,FILM:374 OHM,1%, 0.125W	75042	CEATO-3740F
R289	321-0164-00	B010245		RES.,FXD,FILM:499 OHM,1%, 0.125W	75042	CEATO-4990F
R291	307-0106-00			RES.,FXD,COMP:4.7 OHM,5%,0.25W	01121	CB47G5
R292	307-0106-00			RES.,FXD,COMP:4.7 OHM,5%,0.25W	01121	CB47G5
R293	321-0097-00	XB030000		RES.,FXD,FILM:100 OHM,1%, 0.125W	75042	CEATO-1000F
R294	321-0097-00	XB030000		RES.,FXD, FILM:100 OHM,1%, 0.125W	75042	CEATO-1000F
R295	311-1266-00			RES.,VAR, NONWIR:2.5K OHM,10%, 0.50W	73138	62PT-349-0
R296	315-0182-00	XB010245		RES.,FXD,COMP:1.8K OHM,5%,0.25W	01121	CB1825
R297	307-0106-00			RES.,FXD,COMP:4.7 OHM,5%,0.25W	01121	CB47G5
R298	315-0182-00	XB010245		RES.,FXD,COMP:1.8K OHM,5%,0.25W	01121	CB1825
R301	321-0164-00			RES.,FXD,FILM:499 OHM,1%,0.125W	75042	CEATO-4990F
R302	321-0131-00			RES.,FXD,FILM:226 OHM,1%,0.125W	75042	CEATO-2260F
R304	315-0102-00			RES.,FXD,COMP:1K OHM,5%,0.25W	01121	CB1025
R306	315-0121-00			RES.,FXD,COMP:120 OHM,5%,0.25W	01121	CB1215
R310	315-0101-00			RES.,FXD,COMP:100 OHM,5%,0.25W	01121	CB1015
R311	315-0152-00			RES.,FXD,COMP:1.5K OHM,5%,0.25W	01121	CB1525
R312	315-0120-00			RES.,FXD,COMP:12 OHM,5%,0.25W	01121	CB1205
R313	315-0222-00			RES.,FXD,COMP:2.2K OHM,5%,0.25W	01121	CB2225
R314	316-0822-00	B010100	B208099	RES.,FXD,COMP:8.2K OHM,10%,0.25W	01121	CB8221
R314	315-0822-00	B208100		RES.,FXD,COMP:8.2K OHM,5%,0.25W	01121	CB8225
R315	315-0473-00	XB218900		RES.,FXD,COMP:47K OHM,5%,0.25W	01121	CB4735
R316	315-0223-00	B010100	B159999X	RES.,FXD,COMP:22K OHM,5%,0.25W	01121	CB2235
R32 0	315-0101-00			RES.,FXD,COMP:100 OHM,5%,0.25W	J1121	CB1015
R321	315-0152-00			RES.,FXD,COMP:1.5K OHM,5%,0.25W	01121	CB1525
R322	315-0120-00			RES.,FXD,COMP:12 OHM,5%,0.25W	01121	CB1205
R323	315-0222-00			RES.,FXD,COMP:2.2K OHM,5%,0.25W	01121	CB2225
R324	316-0822-00	B010100	B208099	RES.,FXD,COMP:8.2K OHM,10%,0.25W	01121	CB8221
R324	315-0822-00	B208100		RES.,FXD,COMP:8.2K OHM,5%,0.25W	01121	CB8225
R325	315-0473-00	XB218900		RES.,FXD,COMP:47K OHM,5%,0.25W	01121	CB4735
R326	315-0223-00	B010100	B159999X	RES.,FXD,COMP:22K OHM,5%,0.25W	01121	CB2235
R331	315-0102-00			RES.,FXD,COMP:1K OHM,5%,0.25W	01121	CB1025
R332	315-0123-00			RES.,FXD,COMP:12K OHM,5%,0.25W	01121	CB1235
R333	315-0182-00			RES.,FXD,COMP:1.8K OHM,5%,0.25W	01121	CB1825
R335	315-0123-00			RES.,FXD,COMP:12K OHM,5%,0.25W	01121	CB1235
R336	315-0182-00			RES.,FXD,COMP:1.8K OHM,5%,0.25W	01121	CB1825
R338	315-0203-00			RES.,FXD,COMP:20K OHM,5%,0.25W	01121	CB2035
R339	315-0222-00			RES.,FXD,COMP:2.2K OHM,5%,0.25W	01121	CB2225
R341	315-0102-00			RES.,FXD,COMP:1K OHM,5%,0.25W	01121	CB1025
R342	315-0132-00			RES.,FXD,COMP:1.3K OHM,5%,0.25W	01121	CB1325
R343	315-0511-00			RES.,FXD,COMP:510 OHM,5%,0.25W	01121	CB5115
R346	315-0102-00			RES.,FXD,COMP:1K OHM,5%,0.25W	01121	CB1025
R347	315-0102-00			RES.,FXD,COMP:1K OHM,5%,0.25W	01121	CB1025
R348	315-0391-00	B010100	B099999	RES.,FXD,COMP:390 OHM,5%,0.25W	01121	CB3915
R348	315-0331-00	B100000		RES.,FXD,COMP:330 OHM,5%,0.25W	01121	CB3315
R351	315-0202-00			RES.,FXD,COMP:2K OHM,5%,0.25W	01121	CB2025
R353	321-0152-00			RES.,FXD, FILM:374 OHM,1%, 0.125W	75042	CEATO-3740F
R354	321-0114-00			RES.,FXD,FILM:150 OHM,1%,0.125W	75042	CEATO - 1500F
R355	321-0174-00			RES.,FXD, FILM:634 OHM,1%, 0.125W	75042	CEATO-6340F
R356	321-0114-00			RES.,FXD, FILM:150 OHM,1%, 0.125W	75042	CEATO-1500F
R357	321-0174-00			RES.,FXD, FILM:634 OHM,1%, 0.125W	75042	CEATO-6340F
R358	321-0152-00			RES.,FXD, FILM: 374 OHM,1%, 0.125W	75042	CEATO-3740F
R359	315-0202-00			RES.,FXD,COMP:2K OHM,5%,0.25W	01121	CB2025
R361	315-0202-00			RES.,FXD,COMP:2K OHM,5%,0.25W	01121	CB2025
R363	321-0152-00			RES.,FXD,FILM:374 OHM,1%,0.125W	75042	CEATO-3740F

¹For some S/N R286 will consist of 340 ohm paralleled by 510 ohm. Replace with a single 205 ohm resistor.

Electrical Parts List-475

Ckt No.	Tektronix Part No.	Serial/Model No.		Name & Description	Mfr	
		Eff	Dscont		Code	Mfr Part Number
R364	321-0114-00			RES.,FXD,FILM:150 OHM,1%,0.125W	75042	CEATO-1500F
R365	321-0174-00			RES.,FXD,FILM:634 OHM,1%,0.125W	75042	CEATO-6340F
R366	321-0114-00			RES.,FXD,FILM:150 OHM,1%,0.125W	75042	CEATO-1500F
R367	321-0174-00			RES.,FXD,FILM:634 OHM,1%,0.125W	75042	CEATO-6340F
R368	321-0152-00			RES.,FXD,FILM:374 OHM,1%,0.125W	75042	CEATO-3740F
R369	315-0202-00			RES.,FXD,COMP:2K OHM,5%,0.25W	01121	CB2025
R371	315-0470-00			RES.,FXD,COMP:47 OHM,5%,0.25W	01121	CB4705
R372	315-0470-00			RES.,FXD,COMP:47 OHM,5%,0.25W	01121	CB4705
R373	315-0470-00			RES.,FXD,COMP:47 OHM,5%,0.25W	01121	CB4705
R374	315-0470-00			RES.,FXD,COMP:47 OHM,5%,0.25W	01121	CB4705
R380	321-0078-00			RES.,FXD,FILM:63.4 OHM,1%,0.125W	75042	CEATO-63R40F
R381	321-0078-00			RES.,FXD,FILM:63.4 OHM,1%,0.125W	75042	CEATO-63R40F
R382	323-0130-00			RES.,FXD,FILM:221 OHM,1%,0.50W	91637	MFF1226G221ROF
R383	323-0130-00			RES.,FXD,FILM:221 OHM,1%,0.50W	91637	MFF1226G221ROF
R384	322-0107-00			RES.,FXD,FILM:127 OHM,1%,0.25W	75042	CEBTO-1270F
R385	311-1221-00			RES.,VAR, NONWIR:50 OHM,20%,0.50W	80294	3389F-P31-500
R388	315-0270-00			RES.,FXD,COMP:27 OHM,5%,0.25W	01121	CB2705
R391	321-0154-00	B010100	B099999X	RES.,FXD,FILM:392 OHM,1%,0.125W	75042	CEATO-3920F
R391A	321-0163-00	XB100000		RES.,FXD,FILM:487 OHM,1%,0.125W	75042	CEATO-4870F
R391B	315-0182-00	XB100000		RES.,FXD,COMP:1.8K OHM,5%,0.25W	01121	CB1825
R392	321-0124-00	B010100	B010309	RES.,FXD,FILM:191 OHM,1%,0.125W	75042	CEATO-1910F
R392	321-0122-00	B010310		RES.,FXD,FILM:182 OHM,1%,0.125W	75042	CEATO-1820F
R393	315-0200-00	B010100	B010309	RES.,FXD,COMP:20 OHM,5%,0.25W	01121	CB2005
R393	315-0271-00	B010310		RES.,FXD,COMP:270 OHM,5%,0.25W	01121	CB2715
R394	321-0143-00	B010100	B010309	RES.,FXD,FILM:301 OHM,1%,0.125W	75042	CEATO-3010F
R394	321-0146-00	B010310		RES.,FXD,FILM:324 OHM,1%,0.125W	75042	CEATO-32 40F
R395	322-0156-00			RES.,FXD,FILM:412 OHM,1%,0.25W	75042	CEBTO-4120F
R396	315-0100-00	B010100	B119999X	RES.,FXD,COMP:10 OHM,5%,0.25W	01121	CB1005
R396	307-0 106-00	XB150000		RES.,FXD,COMP:4.7 OHM,5%,0.25W	01121	CB47G5
R397	315-0471-00	XB120000		RES.,FXD,COMP:470 OHM,5%,0.25W	01121	CB4715
R398	315-0620-00	B010100	B099999	RES.,FXD,COMP:62 OHM,5%,0.25W	01121	CB6205
R398	317-0430-00	B100000		RES.,FXD,COMP:43 OHM,5%,0.125W	01121	BB4305
R399	315-0390-00	B010100	B099999	RES.,FXD,COMP:39 OHM,5%,0.25W	01121	CB3905
R399	315-0330-00	B100000		RES.,FXD,COMP:33 OHM,5%,0.25W	01121	CB3305
R401	321-0132-00			RES.,FXD,FILM:232 OHM,1%,0.125W	75042	CEATO-2320F
R402	321-0078-00			RES.,FXD,FILM:63.4 OHM,1%,0.125W	75042	CEATO-63R40F
R403	311-1221-00			RES.,VAR, NONWIR:50 OHM,20%,0.50W	80294	3389F-P31-500
R404	321-0132-00			RES.,FXD,FILM:232 OHM,1%,0.125W	75042	CEATO-23 20F
R405	321-0078-00			RES.,FXD,FILM:63.4 OHM,1%,0.125W	75042	CEATO-63R40F
R411	321-0132-00			RES.,FXD,FILM:232 OHM,1%,0.125W	75042	CEATO-2320F
R412	321-0078-00			RES.,FXD,FILM:63.4 OHM,1%,0.125W	75042	CEATO-63R40F
R414	321-0132-00			RES.,FXD,FILM:232 OHM,1%,0.125W	75042	CEATO-2320F
R415	321-0078-00			RES.,FXD,FILM:63.4 OHM,1%,0.125W	75042	CEATO-63R40F
R419	321-0068-00			RES.,FXD,FILM:49.9 OHM,1%,0.125W	75042	CEATO-49R90F
R420	315-0200-00			RES.,FXD,COMP:20 OHM,5%,0.25W	01121	CB2005
R421	321-0151-00			RES.,FXD,FILM:365 OHM,1%,0.125W	75042	CEATO-3650F
R422	321-0210-00			RES.,FXD,FILM:1.5K OHM,1%,0.125W	75042	CEATO-1501F
R423	321-0070-00	B010100	B189999	RES.,FXD,FILM:52.3 OHM,1%,0.125W	75042	CEATO-52R30F
R423	321-0076-00	B190000		RES.,FXD,FILM:60.4 OHM,1%,0.125W	75042	CEATO-60R40F
R425	311-1223-00	B010100	B099999	RES.,VAR, NONWIR:250 OHM,10%,0.50W	80294	33 89F-P32-251
R425	311-1227-00	B100000		RES.,VAR, NONWIR:5K OHM,20%,0.50W	80294	3389 F-P31-502
R426	322-0161-00			RES.,FXD,FILM:464 OHM,1%,0.25W	75042	CEBTO-4640F
R427	315-0271-00			RES.,FXD,COMP:270 OHM,5%,0.25W	01121	CB2715
R430	315-0471-00			RES.,FXD,COMP:470 OHM,5%,0.25W	01121	CB4715
R431	321-0071-00			RES.,FXD,FILM:53.6 OHM,1%,0.125W	75042	CEATO-53R6F

Electrical Parts List-475

Ckt No.	Tektronix		Serial/Model No.		Name & Description	Mfr	
	Part No.	Eff	Discont	Code		Mfr Part Number	
R432	321-0184-00				RES.,FXD,FILM:806 OHM,1%,0.125W	75042	CEATO-8060F
R436	315-0100-00				RES.,FXD,COMP:10 OHM,5%,0.25W	01121	CB1005
R437	315-0100-00				RES.,FXD,COMP:10 OHM,5%,0.25W	01121	CB1005
R438	307-0106-00				RES.,FXD,COMP:4.7 OHM,5%,0.25W	01121	CB47G5
R441	321-0068-00				RES.,FXD,FILM:49.9 OHM,1%,0.125W	75042	CEATO-49R90F
R445	321-0068-00				RES.,FXD,FILM:49.9 OHM,1%,0.125W	75042	CEATO-49R90F
R446	321-0136-00	B010100	B089999X		RES.,FXD,FILM:255 OHM,1%,0.125W	75042	CEATO-2550F
R447	321-0249-00	B010100	B049999		RES.,FXD,FILM:3.83K OHM,1%,0.125W	75042	CEATO-3831F
R447	321-0239-00	B050000	B089999		RES.,FXD,FILM:3.01K OHM,(NOM VALUE),SEL	75042	CEATO-3011F
R447	321-0227-00	B090000			RES.,FXD,FILM:2.26K OHM,1%,0.125W	75042	CEATO-2261F
R448	321-0193-00	B010100	B089999		RES.,FXD,FILM:1K OHM,1%,0.125W	91637	MFF1816G1000F
R448	321-0164-00	B090000			RES.,FXD,FILM:499 OHM,1%,0.125W	75042	CEATO-4990F
R449	311-1238-00				RES.,VAR, NONWIR:5K OHM,10%,0.50W	73138	72X-27-0.502K
R450	311-1260-00				RES.,VAR, NONWIR:250 OHM,10%,0.50W	73138	62PT-345-0
R451	317-0101-00	B010100	B218889		RES.,FXD,COMP:100 OHM,5%,0.125W	01121	BB1015
R451	317-0750-00	B218890			RES.,FXD,COMP:75 OHM,5%,0.125W	01121	BB7505
R452	317-0200-00				RES.,FXD,COMP:20 OHM,5%,0.125W	01121	BB2005
R453	317-0200-00				RES.,FXD,COMP:20 OHM,5%,0.125W	01121	BB2005
R454	317-0681-00	B010100	B049999		RES.,FXD,COMP:680 OHM,5%,0.125W	01121	BB6815
R454	317-0681-00	B050000			RES.,FXD,COMP:680 OHM,(NOM VALUE),SEL	01121	BB6815
R455	317-0102-00	B010100	B049999		RES.,FXD,COMP:1K OHM,5%,0.125W	01121	BB1025
R455	317-0102-00	B050000			RES.,FXD,COMP:1K OHM,(NOM VALUE),SEL	01121	BB1025
R456	315-0220-00	XB090000			RES.,FXD,COMP:22 OHM,5%,0.25W	01121	CB2205
R457	321-0163-00				RES.,FXD,FILM:487 OHM,1%,0.125W	75042	CEATO-4870F
R458	321-0163-00				RES.,FXD,FILM:487 OHM,1%,0.125W	75042	CEATO-4870F
R459	315-0751-00	B010100	B189999		RES.,FXD,COMP:750 OHM,5%,0.25W	01121	CB7515
R459	315-0102-00	B190000			RES.,FXD,COMP:1K OHM,5%,0.25W	01121	CB1025
R460	315-0270-00				RES.,FXD,COMP:27 OHM,5%,0.25W	01121	CB2705
R461	321-0198-00				RES.,FXD,FILM:1.13K OHM,1%,0.125W	75042	CEATO-1131F
R462	323-0147-00				RES.,FXD,FILM:332 OHM,1%,0.50W	75042	CECTO-3320F
R463	315-0561-00				RES.,FXD,COMP:560 OHM,5%,0.25W	01121	CB5615
R464	323-0147-00				RES.,FXD,FILM:332 OHM,1%,0.50W	75042	CECTO-3320F
R465	315-0561-00				RES.,FXD,COMP:560 OHM,5%,0.25W	01121	CB5615
R466	311-1279-00	B010100	B089999		RES.,VAR, NONWIR:500 OHM,+/-10%,0.5W	73138	62 PAS-322-0
R466	311-1278-00	B090000			RES.,VAR, NONWIR:250 OHM,10%,0.5W	80294	3326 W-L58-251
R467	317-0150-00	B010100	B089999		RES.,FXD,COMP:15 OHM,5%,0.125W	01121	BB1505
R467	317-0240-00	B090000			RES.,FXD,COMP:24 OHM,(NOM VALUE),SEL	01121	BB2405
R468	321-0055-00	B010100	B089999		RES.,FXD,FILM:36.5 OHM,1%,0.125W	91637	MFF1816G36R50F
R468	321-0061-00	B090000			RES.,FXD,FILM:42.2 OHM,1%,0.125W	75042	CEATO-42R2 OF
R469	321-0055-00	B010100	B089999		RES.,FXD,FILM:36.5 OHM,1%,0.125W	75042	CEATO-36R50F
R469	321-0061-00	B090000			RES.,FXD,FILM:42.2 OHM,1%,0.125W	75042	CEATO-42R20F
R470	311-1278-00	B010100	B089999		RES.,VAR, NONWIR:250 OHM,10%,0.5W	80294	3326W-L58-251
R470	311-1279-00	B090000			RES.,VAR, NONWIR:500 OHM,+/-10%,0.5W	73138	62 PAS-322-0
R471	315-0102-00				RES.,FXD,COMP:1K OHM,5%,0.25W	01121	CB1025
R472	315-0200-00				RES.,FXD,COMP:20 OHM,5%,0.25W	01121	CB2005
R473	315-0200-00				RES.,FXD,COMP:20 OHM,5%,0.25W	01121	CB2005
R474	317-0150-00	B010100	B089999		RES.,FXD,COMP:15 OHM,5%,0.125W	01121	BB1505
R474	317-0240-00	B090000			RES.,FXD,COMP:24 OHM,(NOM VALUE),SEL	01121	BB2405
R475	311-1245-00				RES.,VAR, NONWIR:10K OHM,10%,0.50W	73138	72X-23-0-501K
R476	317-0182-00				RES.,FXD,COMP:1.8K OHM,5%,0.125W	01121	BB1825
R477	315-0102-00	B010100	B089999		RES.,FXD,COMP:1K OHM,5%,0.25W	01121	CB1025
R477	315-0821-00	B090000			RES.,FXD,COMP:820 OHM,5%,0.25W	01121	CB8215
R478	321-0164-00				RES.,FXD,FILM:499 OHM,1%,0.125W	75042	CEATO-4990F
R479	321-0164-00				RES.,FXD,FILM:499 OHM,1%,0.125W	75042	CEATO-4990F
R480	315-0330-00	B010100	B217749X		RES.,FXD,COMP:33 OHM,5%,0.25W	01121	CB3305
R481	321-0039-00				RES.,FXD,FILM:24.9 OHM,1%,0.125W	75042	CEATO-24R90F

Electrical Parts List-475

Ckt No.	Tektronix Part No.	Serial/Model No. Eff	Dscont	Name & Description	Mfr Code	Mfr Part Number
R482	321-0039-00			RES.,FXD,FILM:24.9 OHM,1%,0.125W	75042	CEATO-24R90F
R483	322-0157-00			RES.,FXD,FILM:422 OHM,1%,0.25W	75042	CEBTO-4220F
R484	322-0157-00			RES.,FXD,FILM:422 OHM,1%,0.25W	75042	CEBTO-4220F
R485	315-0560-00			RES.,FXD,COMP:56 OHM,5%,0.25W	01121	CB5605
R486	315-0100-00			RES.,FXD,COMP:10 OHM,5%,0.25W	01121	CB1005
R487	315-0301-00			RES.,FXD,COMP:300 OHM,5%,0.25W	01121	CB3015
R488	311-1236-00			RES.,VAR,NONWIR:250 OHM,10%,0.50W	73138	72X-22-0-251K
R489	315-0911-00			RES.,FXD,COMP:910 OHM,5%,0.25W	01121	CB9115
R490	315-0103-00	XB217750		RES.,FXD,COMP:10K OHM,5%,0.25W	01121	CB1035
R491	301-0100-00			RES.,FXD,COMP:10 OHM,5%,0.50W	01121	EB1005
R492	323-0134-00			RES.,FXD,FILM:243 OHM,1%,0.50W	91637	MFF1226G243ROF
R493	323-0134-00			RES.,FXD,FILM:243 OHM,1%,0.50W	91637	MFF1226G243ROF
R494	317-0621-00	B010100	B049999X	RES.,FXD,COMP:620 OHM,5%,0.125W	01121	BB6215
R494A	317-0621-00	XB050000		RES.,FXD,COMP:620 OHM,5%,0.125W	01121	BB6215
R494B ¹	311-0633-00	XB050000		RES.,VAR,NONWIR:5K OHM,10%,0.50W	80740	62-58-3
R495	323-0134-00			RES.,FXD,FILM:243 OHM,1%,0.50W	91637	MFF1226G243ROF
R496	323-0134-00			RES.,FXD,FILM:243 OHM,1%,0.50W	91637	MFF1226G243ROF
R497	307-0292-00			RES.,FXD,FILM:182.5 OHM	80009	307-0292-00
R498	307-0106-00			RES.,FXD,COMP:4.7 OHM,5%,0.25W	01121	CB47G5
R499	307-0106-00			RES.,FXD,COMP:4.7 OHM,5%,0.25W	01121	CB47G5
R500	315-0560-00			RES.,FXD,COMP:56 OHM,5%,0.25W	01121	CB5605
R501	316-0221-00			RES.,FXD,COMP:220 OHM,10%,0.25W	01121	CB2211
R502	316-0152-00			RES.,FXD,COMP:1.5K OHM,10%,0.25	01121	CB1521
R503	316-0221-00			RES.,FXD,COMP:220 OHM,10%,0.25W	01121	CB2211
R504	316-0152-00			RES.,FXD,COMP:1.5K OHM,10%,0.25	01121	CB1521
R505	316-0470-00			RES.,FXD,COMP:47 OHM,10%,0.25W	01121	CB4701
R506	316-0152-00			RES.,FXD,COMP:1.5K OHM,10%,0.25	01121	CB1521
R507	315-0103-00			RES.,FXD,COMP:10K OHM,5%,0.25W	01121	CB1035
R508	316-0274-00			RES.,FXD,COMP:270K OHM,10%,0.25W	01121	CB2741
R509	315-0560-00			RES.,FXD,COMP:56 OHM,5%,0.25W	01121	CB5605
R510	316-0330-00			RES.,FXD,COMP:33 OHM,10%,0.25W	01121	CB3301
R511	315-0914-00	B010100	B149999	RES.,FXD,COMP:910K OHM,5%,0.25W	01121	CB9145
R511	315-0824-00	B150000		RES.,FXD,COMP:820K OHM,5%,0.25W	01121	CB8245
R512	315-0434-00	B010100	B149999	RES.,FXD,COMP:430K OHM,5%,0.25W	01121	CB4345
R512	315-0514-00	B150000		RES.,FXD,COMP:510K OHM,5%,0.25W	01121	CB5145
R513	315-0475-00			RES.,FXD,COMP:4.7M OHM,5%,0.25W	01121	CB4755
R514	315-0154-00	B010100	B149999	RES.,FXD,COMP:150K OHM,5%,0.25W	01121	CB1545
R514	315-0184-00	B150000		RES.,FXD,COMP:180K OHM,5%,0.25W	01121	CB1845
R515	316-0104-00			RES.,FXD,COMP:100K OHM,10%,0.25W	01121	CB1041
R516	316-0563-00			RES.,FXD,COMP:56K OHM,10%,0.25W	01121	CB5631
R517	315-0105-00			RES.,FXD,COMP:1M OHM,5%,0.25W	01121	CB1055
R518	316-0100-00			RES.,FXD,COMP:10 OHM,10%,0.25W	01121	CB1001
R519	316-0101-00			RES.,FXD,COMP:100 OHM,10%,0.25W	01121	CB1011
R520	315-0560-00			RES.,FXD,COMP:56 OHM,5%,0.25W	01121	CB5605
R521	316-0101-00			RES.,FXD,COMP:100 OHM,10%,0.25W	01121	CB1011
R522	316-0150-00			RES.,FXD,COMP:15 OHM,10%,0.25W	01121	CB1501
R523	316-0150-00			RES.,FXD,COMP:15 OHM,10%,0.25W	01121	CB1501
R524	316-0101-00			RES.,FXD,COMP:100 OHM,10%,0.25W	01121	CB1011
R525	316-0821-00			RES.,FXD,COMP:820 OHM,10%,0.25W	01121	CB8211
R526	315-0220-00			RES.,FXD,COMP:22 OHM,5%,0.25W	01121	CB2205
R527	322-0178-00			RES.,FXD,FILM:698 OHM,1%,0.25W	75042	CEBTO-6980F
R528	315-0220-00			RES.,FXD,COMP:22 OHM,5%,0.25W	01121	CB2205
R529	315-0103-00			RES.,FXD,COMP:10K OHM,5%,0.25W	01121	CB1035
R530 ²	311-1192-00			RES.,VAR,NONWIR:10K OHM,20%,1W	12697	CM39695
R532	315-0122-00			RES.,FXD,COMP:1.2K OHM,5%,0.25W	01121	CB1225

¹Added if necessary.

²Furnished as a unit with S530.

Electrical Parts List-475

Ckt No.	Tektronix Part No.	Serial/Model No.		Name & Description	Mfr	
		Eff	Dscont		Code	Mfr Part Number
R533	316-0821-00			RES.,FXD,COMP:820 OHM,10%,0.25W	01121	CB8211
R534	311-1230-00			RES.,VAR, NONWIR:20K OHM,20%,0.50W	80294	3389F-P31-203
R535	315-0302-00			RES.,FXD,COMP:3K OHM,5%,0.25W	01121	CB3025
R536	316-0101-00	B010100	B149999	RES.,FXD,COMP:100 OHM,10%,0.25W	01121	CB1011
R536	315-0131-00	B150000		RES.,FXD,COMP:130 OHM,5%,0.25W	01121	CB1315
R537	316-0152-00			RES.,FXD,COMP:1.5K OHM,10%,0.25	01121	CB1521
R538	316-0332-00			RES.,FXD,COMP:3.3K OHM,10%,0.25W	01121	CB3321
R541	316-0682-00			RES.,FXD,COMP:6.8K OHM,10%,0.25W	01121	CB6821
R542	316-0392-00			RES.,FXD,COMP:3.9K OHM,10%,0.25W	01121	CB3921
R543	316-0221-00			RES.,FXD,COMP:220 OHM,10%,0.25W	01121	CB2211
R544	315-0302-00			RES.,FXD,COMP:3K OHM,5%,0.25W	01121	CB3025
R545	315-0242-00			RES.,FXD,COMP:2.4K OHM,5%,0.25W	01121	CB2425
R546	316-0470-00			RES.,FXD,COMP:47 OHM,10%,0.25W	01121	CB4701
R547	311-1230-00			RES.,VAR, NONWIR:20K OHM,20%,0.50W	80294	3389 F-P31-203
R550	317-0101-00	XB060000	B061037	RES.,FXD,COMP:100 OHM,5%,0.125W	01121	BB1015
R550	317-0560-00	B061038		RES.,FXD,COMP:56 OHM,5%,0.125W	01121	BB5605
R551	321-0082-00			RES.,FXD,FILM:69.8 OHM,1%,0.125W	75042	CEATO-69R80F
R552	322-0283-00			RES.,FXD,FILM:8.66K OHM,1%,0.25W	75042	CEBTO-8661F
R553	321-0082-00			RES.,FXD,FILM:69.8 OHM,1%,0.125W	75042	CEATO-69R80F
R554	321-0059-00			RES.,FXD,FILM:40.2 OHM,1%,0.125W	75042	CEATO-40R20F
R555	321-0185-00			RES.,FXD,FILM:825 OHM,1%,0.125W	75042	CEATO-8250F
R556	321-0047-00			RES.,FXD,FILM:30.1 OHM,1%,0.125W	75042	CEATO-30R10F
R557	321-0224-00			RES.,FXD,FILM:2.1K OHM,1%,0.125W	75042	CEATO-2101F
R558	321-0044-00			RES.,FXD,FILM:28 OHM,1%,0.125W	75042	CEATO-28R00F
R559	321-0259-00			RES.,FXD,FILM:4.87K OHM,1%,0.125W	75042	CEATO-4871F
R560	317-0101-00	XB060000	B061037	RES.,FXD,COMP:100 OHM,5%,0.125W	01121	BB1015
R560	317-0560-00	B061038		RES.,FXD,COMP:56 OHM,5%,0.125W	01121	BB5605
R561	321-0082-00			RES.,FXD,FILM:69.8 OHM,1%,0.125W	75042	CEATO-69R80F
R562	322-0283-00			RES.,FXD,FILM:8.66K OHM,1%,0.25W	75042	CEBTO-8661F
R563	321-0082-00			RES.,FXD,FILM:69.8 OHM,1%,0.125W	75042	CEATO-69R80F
R564	315-0242-00			RES.,FXD,COMP:2.4K OHM,5%,0.25W	01121	CB2425
R565	311-1228-00			RES.,VAR, NONWIR:10K OHM,20%,0.50W	80294	3389F-P31-103
R566	321-0044-00			RES.,FXD,FILM:28 OHM,1%,0.125W	75042	CEATO-28R00F
R567	321-0224-00			RES.,FXD,FILM:2.1K OHM,1%,0.125W	75042	CEATO-2101F
R568	316-0470-00	B010100	B029999	RES.,FXD,COMP:47 OHM,10%,0.25W	01121	CB4701
R568	316-0101-00	B030000		RES.,FXD,COMP:100 OHM,10%,0.25W	01121	CB1011
R569	321-0279-00			RES.,FXD,FILM:7.87K OHM,1%,0.125W	75042	CEATO-7871F
R570	301-0181-00			RES.,FXD,COMP:180 OHM,5%,0.50W	01121	EB1815
R571	315-0100-00			RES.,FXD,COMP:10 OHM,5%,0.25W	01121	CB1005
R572	321-0187-00			RES.,FXD,FILM:866 OHM,1%,0.125W	75042	CEATO-8660F
R574	315-0432-00			RES.,FXD,COMP:4.3K OHM,5%,0.25W	01121	CB4325
R575	315-0151-00			RES.,FXD,COMP:150 OHM,5%,0.25W	01121	CB1515
R577	321-0246-00			RES.,FXD,FILM:3.57K OHM,1%,0.125W	75042	CEATO-3571F
R578	321-0164-00			RES.,FXD,FILM:499 OHM,1%,0.125W	75042	CEATO-4990F
R579	301-0201-00			RES.,FXD,COMP:200 OHM,5%,0.50W	01121	EB2015
R580	316-0220-00	XB030000		RES.,FXD,COMP:22 OHM,10%,0.25W	01121	CB2201
R581	315-0101-00			RES.,FXD,COMP:100 OHM,5%,0.25W	01121	CB1015
R582	315-0471-00			RES.,FXD,COMP:470 OHM,5%,0.25W	01121	CB4715
R583	315-0331-00			RES.,FXD,COMP:330 OHM,5%,0.25W	01121	CB3315
R584	316-0220-00	XB060000		RES.,FXD,COMP:22 OHM,10%,0.25W	01121	CB2201
R588	301-0121-00			RES.,FXD,COMP:120 OHM,5%,0.50W	01121	EB1215
R590	315-0102-00			RES.,FXD,COMP:1K OHM,5%,0.25W	01121	CB1025
R591	321-0242-00			RES.,FXD,FILM:3.24K OHM,1%,0.125W	75042	CEATO-3241F
R592	321-0222-00			RES.,FXD,FILM:2K OHM,1%,0.125W	75042	CEATO-2001F
R593	316-0103-00			RES.,FXD,COMP:10K OHM,10%,0.25W	01121	CB1031

Ckt No.	Tektronix Part No.	Serial/Model No.		Name & Description	Mfr	
		Eff	Dscont		Code	Mfr Part Number
R594	315-0162-00			RES.,FXD,COMP:1.6K OHM,5%,0.25W	01121	CB1625
R595	315-0102-00			RES.,FXD,COMP:1K OHM,5%,0.25W	01121	CB1025
R596	307-0106-00			RES.,FXD,COMP:4.7 OHM,5%,0.25W	01121	CB47G5
R597	315-0221-00			RES.,FXD,COMP:220 OHM,5%,0.25W	01121	CB2215
R598	315-0221-00			RES.,FXD,COMP:220 OHM,5%,0.25W	01121	CB2215
R599	321-0318-00			RES.,FXD,FILM:20K OHM,1%,0.125W	75042	CEAT0-2002F
R600	307-0106-00			RES.,FXD,COMP:4.7 OHM,5%,0.25W	01121	CB47G5
R601	315-0472-00			RES.,FXD,COMP:4.7K OHM,5%,0.25W	01121	CB4725
R602	315-0472-00			RES.,FXD,COMP:4.7K OHM,5%,0.25W	01121	CB4725
R603	315-0241-00			RES.,FXD,COMP:240 OHM,5%,0.25W	01121	CB2415
R604	316-0393-00			RES.,FXD,COMP:39K OHM,10%,0.25W	01121	CB3931
R607	315-0101-00			RES.,FXD,COMP:100 OHM,5%,0.25W	01121	CB1015
R608	307-0103-00	XB010310	B169999	RES.,FXD,COMP:2.7 OHM,5%,0.25W	01121	CB27G5
R608	315-0100-00	B170000		RES.,FXD,COMP:10 OHM,5%,0.25W	01121	CB1005
R609	315-0104-00			RES.,FXD,COMP:100K OHM,5%,0.25W	01121	CB1045
R610	307-0103-00	XB010310	B169999	RES.,FXD,COMP:2.7 OHM,5%,0.25W	01121	CB27G5
R610	315-0100-00	B170000		RES.,FXD,COMP:10 OHM,5%,0.25W	01121	CB1005
R611	321-0174-00			RES.,FXD,FILM:634 OHM,1%,0.125W	75042	CEAT0-6340F
R612	321-0190-00			RES.,FXD,FILM:931 OHM,1%,0.125W	75042	CEAT0-9310F
R613	315-0101-00			RES.,FXD,COMP:100 OHM,5%,0.25W	01121	CB1015
R622	307-0103-00			RES.,FXD,COMP:2.7 OHM,5%,0.25W	01121	CB27G5
R626	315-0201-00			RES.,FXD,COMP:200 OHM,5%,0.25W	01121	CB2015
R627	315-0101-00			RES.,FXD,COMP:100 OHM,5%,0.25W	01121	CB1015
R628	321-0184-00			RES.,FXD,FILM:806 OHM,1%,0.125W	75042	CEAT0-8060F
R629	321-0205-00			RES.,FXD,FILM:1.33K OHM,1%,0.125W	75042	CEAT0-1331F
R641	321-0222-00			RES.,FXD,FILM:2K OHM,1%,0.125W	75042	CEAT0-2001F
R642	321-0275-00			RES.,FXD,FILM:7.15K OHM,1%,0.125W	75042	CEAT0-7151F
R644 ¹	311-1401-00			RES.,VAR,NONWIR:100K OHM,20%,0.50W	01121	10M420
R647	315-0473-00			RES.,FXD,COMP:47K OHM,5%,0.25W	01121	CB4735
R661	315-0430-00			RES.,FXD,COMP:43 OHM,5%,0.25W	01121	CB4305
R662	315-0150-00			RES.,FXD,COMP:15 OHM,5%,0.25W	01121	CB1505
R663	322-0207-00			RES.,FXD,FILM:1.4K OHM,1%,0.25W	75042	CEBT0-1401F
R664	315-0510-00			RES.,FXD,COMP:51 OHM,5%,0.25W	01121	CB5105
R665	316-0103-00			RES.,FXD,COMP:10K OHM,10%,0.25W	01121	CB1031
R666	315-0102-00			RES.,FXD,COMP:1K OHM,5%,0.25W	01121	CB1025
R667	315-0510-00			RES.,FXD,COMP:51 OHM,5%,0.25W	01121	CB5105
R668	321-0178-00			RES.,FXD,FILM:698 OHM,1%,0.125W	75042	CEAT0-6980F
R669	315-0150-00	B010100	B219999	RES.,FXD,COMP:15 OHM,5%,0.25W	01121	CB1505
R669	315-0160-00	B220000		RES.,FXD,COMP:16 OHM,5%,0.25W	01121	CB1605
R670	316-0470-00			RES.,FXD,COMP:47 OHM,10%,0.25W	01121	CB4701
R671	315-0430-00			RES.,FXD,COMP:43 OHM,5%,0.25W	01121	CB4305
R672	315-0150-00			RES.,FXD,COMP:15 OHM,5%,0.25W	01121	CB1505
R673	311-1223-00			RES.,VAR,NONWIR:250 OHM,10%,0.50W	80294	3389F-P32-251
R674	315-0510-00			RES.,FXD,COMP:51 OHM,5%,0.25W	01121	CB5105
R675	321-0155-00			RES.,FXD,FILM:402 OHM,1%,0.125W	75042	CEAT0-4020F
R676	315-0102-00			RES.,FXD,COMP:1K OHM,5%,0.25W	01121	CB1025
R677	315-0510-00			RES.,FXD,COMP:51 OHM,5%,0.25W	01121	CB5105
R678	321-0178-00			RES.,FXD,FILM:698 OHM,1%,0.125W	75042	CEAT0-6980F
R679	316-0220-00			RES.,FXD,COMP:22 OHM,10%,0.25W	01121	CB2201
R680	321-0225-00			RES.,FXD,FILM:2.15K OHM,1%,0.125W	75042	CEAT0-2151F
R681	321-0209-00			RES.,FXD,FILM:1.47K OHM,1%,0.125W	75042	CEAT0-1471F
R682	315-0102-00			RES.,FXD,COMP:1K OHM,5%,0.25W	01121	CB1025
R683	315-0202-00			RES.,FXD,COMP:2K OHM,5%,0.25W	01121	CB2025
R684	321-0248-00			RES.,FXD,FILM:3.74K OHM,1%,0.125W	75042	CEAT0-3741F
R685	321-0248-00			RES.,FXD,FILM:3.74K OHM,1%,0.125W	75042	CEAT0-3741F
R686	321-0210-00			RES.,FXD,FILM:1.5K OHM,1%,0.125W	75042	CEAT0-1501F

¹Furnished as a unit with S644.

Electrical Parts List-475

Ckt No.	Tektronix Part No.	Serial/Model No.		Name & Description	Mfr Code	Mfr Part Number	
		Eff	Dscont			Mfr	Part Number
R687	321-0209-00			RES., FXD, FILM: 1.47K OHM, 1%, 0.125W	75042	CEAT0-1471F	
R688	321-0141-00			RES., FXD, FILM: 287 OHM, 1%, 0.125W	75042	CEAT0-2870F	
R689	315-0432-00			RES., FXD, COMP: 4.3K OHM, 5%, 0.25W	01121	CB4325	
R692	315-0472-00			RES., FXD, COMP: 4.7K OHM, 5%, 0.25W	01121	CB4725	
R693	315-0181-00	B010100	B039999	RES., FXD, COMP: 180 OHM, 5%, 0.25W	01121	CB1815	
R693	315-0471-00	B040000		RES., FXD, COMP: 470 OHM, 5%, 0.25W	01121	CB4715	
R694	315-0470-00			RES., FXD, COMP: 47 OHM, 5%, 0.25W	01121	CB4705	
R695	321-0204-00			RES., FXD, FILM: 1.3K OHM, 1%, 0.125W	75042	CEAT0-1301F	
R696	321-0222-00			RES., FXD, FILM: 2K OHM, 1%, 0.125W	75042	CEAT0-2001F	
R697	321-0178-00			RES., FXD, FILM: 698 OHM, 1%, 0.125W	75042	CEAT0-6980F	
R698	315-0100-00			RES., FXD, COMP: 10 OHM, 5%, 0.25W	01121	CB1005	
R699	315-0472-00			RES., FXD, COMP: 4.7K OHM, 5%, 0.25W	01121	CB4725	
R701	315-0152-00			RES., FXD, COMP: 1.5K OHM, 5%, 0.25W	01121	CB1525	
R702	315-0162-00			RES., FXD, COMP: 1.6K OHM, 5%, 0.25W	01121	CB1625	
R703	315-0152-00			RES., FXD, COMP: 1.5K OHM, 5%, 0.25W	01121	CB1525	
R704	315-0162-00			RES., FXD, COMP: 1.6K OHM, 5%, 0.25W	01121	CB1625	
R705	315-0152-00			RES., FXD, COMP: 1.5K OHM, 5%, 0.25W	01121	CB1525	
R706	315-0162-00			RES., FXD, COMP: 1.6K OHM, 5%, 0.25W	01121	CB1625	
R711	316-0152-00			RES., FXD, COMP: 1.5K OHM, 10%, 0.25	01121	CB1521	
R712	316-0221-00			RES., FXD, COMP: 220 OHM, 10%, 0.25W	01121	CB2211	
R713	316-0152-00			RES., FXD, COMP: 1.5K OHM, 10%, 0.25	01121	CB1521	
R714	316-0221-00			RES., FXD, COMP: 220 OHM, 10%, 0.25W	01121	CB2211	
R715	316-0151-00			RES., FXD, COMP: 150 OHM, 10%, 0.25W	01121	CB1511	
R716	316-0152-00			RES., FXD, COMP: 1.5K OHM, 10%, 0.25	01121	CB1521	
R717	315-0620-00			RES., FXD, COMP: 62 OHM, 5%, 0.25W	01121	CB6205	
R718	315-0620-00			RES., FXD, COMP: 62 OHM, 5%, 0.25W	01121	CB6205	
R719	315-0620-00			RES., FXD, COMP: 62 OHM, 5%, 0.25W	01121	CB6205	
R721	316-0330-00			RES., FXD, COMP: 33 OHM, 10%, 0.25W	01121	CB3301	
R722	315-0754-00	B010100	B149999	RES., FXD, COMP: 750K OHM, 5%, 0.25W	01121	CB7545	
R722	315-0684-00	B150000		RES., FXD, COMP: 680K OHM, 5%, 0.25W	01121	CB6845	
R723	315-0334-00	B010100	B149999	RES., FXD, COMP: 330K OHM, 5%, 0.25W	01121	CB3345	
R723	315-0474-00	B150000		RES., FXD, COMP: 470K OHM, 5%, 0.25W	01121	CB4745	
R729	316-0101-00			RES., FXD, COMP: 100 OHM, 10%, 0.25W	01121	CB1011	
R731	316-0332-00			RES., FXD, COMP: 3.3K OHM, 10%, 0.25W	01121	CB3321	
R735	316-0104-00			RES., FXD, COMP: 100K OHM, 10%, 0.25W	01121	CB1041	
R736	316-0563-00			RES., FXD, COMP: 56K OHM, 10%, 0.25W	01121	CB5631	
R737	315-0105-00			RES., FXD, COMP: 1M OHM, 5%, 0.25W	01121	CB1055	
R738	316-0100-00			RES., FXD, COMP: 10 OHM, 10%, 0.25W	01121	CB1001	
R739	316-0101-00			RES., FXD, COMP: 100 OHM, 10%, 0.25W	01121	CB1011	
R741	316-0101-00			RES., FXD, COMP: 100 OHM, 10%, 0.25W	01121	CB1011	
R742	316-0150-00			RES., FXD, COMP: 15 OHM, 10%, 0.25W	01121	CB1501	
R743	316-0150-00			RES., FXD, COMP: 15 OHM, 10%, 0.25W	01121	CB1501	
R744	316-0101-00			RES., FXD, COMP: 100 OHM, 10%, 0.25W	01121	CB1011	
R745	316-0821-00			RES., FXD, COMP: 820 OHM, 10%, 0.25W	01121	CB8211	
R746	315-0220-00			RES., FXD, COMP: 22 OHM, 5%, 0.25W	01121	CB2205	
R747	322-0178-00			RES., FXD, FILM: 698 OHM, 1%, 0.25W	75042	CEBT0-6980F	
R748	315-0220-00			RES., FXD, COMP: 22 OHM, 5%, 0.25W	01121	CB2205	
R750 ¹	311-1192-00			RES., VAR, NONWIR: 10K OHM, 20%, 1W	12697	CM39695	
R752	315-0122-00			RES., FXD, COMP: 1.2K OHM, 5%, 0.25W	01121	CB1225	
R753	316-0821-00			RES., FXD, COMP: 820 OHM, 10%, 0.25W	01121	CB8211	
R754	311-1230-00			RES., VAR, NONWIR: 20K OHM, 20%, 0.50W	80294	3389 F-P31-203	
R755	315-0300-00			RES., FXD, COMP: 3K OHM, 5%, 0.25W	01121	CB3025	
R756	315-0101-00	B010100	B149999	RES., FXD, COMP: 100 OHM, 5%, 0.25W	01121	CB1015	
R756	315-0131-00	B150000		RES., FXD, COMP: 130 OHM, 5%, 0.25W	01121	CB1315	
R758	316-0152-00			RES., FXD, COMP: 1.5K OHM, 10%, 0.25	01121	CB1521	

¹Furnished as a unit with S750.

Ckt No.	Tektronix Part No.	Serial/Model No.		Name & Description	Mfr	
		Eff	Dscont		Code	Mfr Part Number
R759	321-0259-00			RES.,FXD,FILM:4.87K OHM,1%,0.125W	75042	CEATO-4871F
R761	316-0682-00			RES.,FXD,COMP:6.8K OHM,10%,0.25W	01121	CB6821
R762	316-0392-00			RES.,FXD,COMP:3.9K OHM,10%,0.25W	01121	CB3921
R763	316-0221-00			RES.,FXD,COMP:220 OHM,10%,0.25W	01121	CB2211
R764	315-0302-00			RES.,FXD,COMP:3K OHM,5%,0.25W	01121	CB3025
R765	315-0242-00			RES.,FXD,COMP:2.4K OHM,5%,0.25W	01121	CB2425
R766	316-0470-00			RES.,FXD,COMP:47 OHM,10%,0.25W	01121	CB4701
R767	311-1230-00			RES.,VAR,NONWIR:20K OHM,20%,0.50W	80294	3389 F-P31-203
R769	321-0279-00			RES.,FXD,FILM:7.87K OHM,1%,0.125W	75042	CEATO-7871F
R771	321-0082-00			RES.,FXD,FILM:69.8 OHM,1%,0.125W	75042	CEATO-69R80F
R772	322-0283-00			RES.,FXD,FILM:8.66K OHM,1%,0.25W	75042	CEBTO-8661F
R773	321-0082-00			RES.,FXD,FILM:69.8 OHM,1%,0.125W	75042	CEATO-69R80F
R774	321-0059-00			RES.,FXD,FILM:40.2 OHM,1%,0.125W	75042	CEATO-40R20F
R775	321-0185-00			RES.,FXD,FILM:825 OHM,1%,0.125W	75042	CEATO-8250F
R776	321-0047-00			RES.,FXD,FILM:30.1 OHM,1%,0.125W	75042	CEATO-30R10F
R777	321-0224-00			RES.,FXD,FILM:2.1K OHM,1%,0.125W	75042	CEATO-2101F
R778	321-0044-00			RES.,FXD,FILM:28 OHM,1%,0.125W	75042	CEATO-28R00F
R781	321-0082-00			RES.,FXD,FILM:69.8 OHM,1%,0.125W	75042	CEATO-69R80F
R782	322-0283-00			RES.,FXD,FILM:8.66K OHM,1%,0.25W	75042	CEBTO-8661F
R783	321-0082-00			RES.,FXD,FILM:69.8 OHM,1%,0.125W	75042	CEATO-69R80F
R784	315-0242-00			RES.,FXD,COMP:2.4K OHM,5%,0.25W	01121	CB2425
R785	311-1228-00			RES.,VAR,NONWIR:10K OHM,20%,0.50W	80294	3389F-P31-103
R786	321-0044-00			RES.,FXD,FILM:28 OHM,1%,0.125W	75042	CEATO-28R00F
R787	321-0224-00			RES.,FXD,FILM:2.1K OHM,1%,0.125W	75042	CEATO-2101F
R788	315-0472-00			RES.,FXD,COMP:4.7K OHM,5%,0.25W	01121	CB4725
R789	316-0221-00			RES.,FXD,COMP:220 OHM,10%,0.25W	01121	CB2211
R792	316-0220-00	XB060000		RES.,FXD,COMP:22 OHM,10%,0.25W	01121	CB2201
R793	321-0289-00			RES.,FXD,FILM:10K OHM,1%,0.125W	75042	CEATO-1002F
R794	321-0260-00			RES.,FXD,FILM:4.99K OHM,1%,0.125W	75042	CEATO-4991F
R795	321-0225-00			RES.,FXD,FILM:2.15K OHM,1%,0.125W	75042	CEATO-2151F
R796	321-0227-00			RES.,FXD,FILM:2.26K OHM,1%,0.125W	75042	CEATO-2261F
R797	315-0101-00			RES.,FXD,COMP:100 OHM,5%,0.25W	01121	CB1015
R798	321-0249-00			RES.,FXD,FILM:3.83K OHM,1%,0.125W	75042	CEATO-3831F
R799	316-0102-00	XB010205		RES.,FXD,COMP:1K OHM,10%,0.25W	01121	CB1021
R801	315-0332-00			RES.,FXD,COMP:3.3K OHM,5%,0.25W	01121	CB3325
R802	315-0471-00	B010100	B010204	RES.,FXD,COMP:470 OHM,5%,0.25W	01121	CB4715
R802	315-0221-00	B010205		RES.,FXD,COMP:220 OHM,5%,0.25W	01121	CB2215
R803	307-0103-00			RES.,FXD,COMP:2.7 OHM,5%,0.25W	01121	CB27G5
R804	321-0166-00			RES.,FXD,FILM:523 OHM,1%,0.125W	75042	CEATO-5230F
R805	321-0193-00			RES.,FXD,FILM:1K OHM,1%,0.125W	75042	CEATO-1001F
R806	321-0177-00	B010100	B059999	RES.,FXD,FILM:681 OHM,1%,0.125W	75042	CEATO-6810F
R806	315-0681-00	B060000		RES.,FXD,COMP:680 OHM,5%,0.25W	01121	CB6815
R807	321-0254-00			RES.,FXD,FILM:4.32K OHM,1%,0.125W	75042	CEATO-4321F
R808	321-0250-00			RES.,FXD,FILM:3.92K OHM,1%,0.125W	75042	CEATO-3921F
R809	315-0101-00			RES.,FXD,COMP:100 OHM,5%,0.25W	01121	CB1015
R810	315-0201-00			RES.,FXD,COMP:200 OHM,5%,0.25W	01121	CB2015
R811	315-0202-00			RES.,FXD,COMP:2K OHM,5%,0.25W	01121	CB2025
R812	315-0332-00			RES.,FXD,COMP:3.3K OHM,5%,0.25W	01121	CB3325
R813	315-0151-00			RES.,FXD,COMP:150 OHM,5%,0.25W	01121	CB1515
R814	315-0102-00			RES.,FXD,COMP:1K OHM,5%,0.25W	01121	CB1025
R815	321-0232-00			RES.,FXD,FILM:2.55K OHM,1%,0.125W	75042	CEATO-2551F
R816	321-0155-00			RES.,FXD,FILM:402 OHM,1%,0.125W	75042	CEATO-4020F
R817	315-0221-00			RES.,FXD,COMP:220 OHM,5%,0.25W	01121	CB2215
R818	321-0187-00			RES.,FXD,FILM:866 OHM,1%,0.125W	75042	CEATO-8660F
R819	316-0100-00			RES.,FXD,COMP:10 OHM,10%,0.25W	01121	CB1001

Electrical Parts List-475

Ckt No.	Tektronix Part No.	Serial/Model No. Eff	Dscont	Name & Description	Mfr Code	Mfr Part Number
R821	315-0101-00			RES.,FXD,COMP:100 OHM,5%,0.25W	01121	CB1015
R822	315-0471-00			RES.,FXD,COMP:470 OHM,5%,0.25W	01121	CB4715
R823	315-0331-00			RES.,FXD,COMP:330 OHM,5%,0.25W	01121	CB3315
R824	316-0220-00	XB060000		RES.,FXD,COMP:22 OHM,10%,0.25W	01121	CB2201
R825	307-0106-00			RES.,FXD,COMP:4.7 OHM,5%,0.25W	01121	CB47G5
R826	307-0106-00			RES.,FXD,COMP:4.7 OHM,5%,0.25W	01121	CB47G5
R900	321-0225-00			RES.,FXD,FILM:2.15K OHM,1%,0.125W	75042	CEATO-215 1F
R902	321-0155-00			RES.,FXD,FILM:402 OHM,1%,0.125W	75042	CEATO-4020F
R903	315-0221-00			RES.,FXD,COMP:220 OHM,5%,0.25W	01121	CB2215
R904	321-0168-00			RES.,FXD,FILM:549 OHM,1%,0.125W	75042	CEATO-5490F
R905	307-0106-00			RES.,FXD,COMP:4.7 OHM,5%,0.25W	01121	CB47G5
R906	321-0268-00			RES.,FXD,FILM:6.04K OHM,1%,0.125W	75042	CEATO-6041F
R907	321-0289-00			RES.,FXD,FILM:10K OHM,1%,0.125W	75042	CEATO-1002F
R908	321-0294-00			RES.,FXD,FILM:11.3K OHM,1%,0.125W	75042	CEATO-1132F
R910	321-0220-00	XB060000		RES.,FXD,FILM:1.91K OHM,1%,0.125W	75042	CEATO-1911F
R911	321-0164-00	B010100	B059999	RES.,FXD,FILM:499 OHM,1%,0.125W	75042	CEATO-4990F
R911	321-0314-00	B060000		RES.,FXD,FILM:18.2K OHM,1%,0.125W	75042	CEATO-1822F
R912	321-0274-00	B010100	B059999	RES.,FXD,FILM:6.98K OHM,1%,0.125W	75042	CEATO-6981F
R912	321-0261-00	B060000		RES.,FXD,FILM:5.11K OHM,1%,0.125W	75042	CEATO-5111F
R913	316-0100-00			RES.,FXD,COMP:10 OHM,10%,0.25W	01121	CB1001
R916	323-0227-00			RES.,FXD,FILM:2.26K OHM,1%,0.50W	75042	CECTO-2261F
R917	315-0471-00			RES.,FXD,COMP:470 OHM,5%,0.25W	01121	CB4715
R918	316-0220-00			RES.,FXD,COMP:22 OHM,10%,0.25W	01121	CB2201
R921	315-0182-00			RES.,FXD,COMP:1.8K OHM,5%,0.25W	01121	CB1825
R922	315-0821-00	B010100	B069999	RES.,FXD,COMP:820 OHM,5%,0.25W	01121	CB8215
R922	315-0471-00	B070000		RES.,FXD,COMP:470 OHM,5%,0.25W	01121	CB4715
R923	316-0100-00			RES.,FXD,COMP:10 OHM,10%,0.25W	01121	CB1001
R924	301-0682-00			RES.,FXD,COMP:6.8K OHM,5%,0.50W	01121	EB6825
R925	321-0218-00			RES.,FXD,FILM:1.82K OHM,1%,0.125W	75042	CEATO-1821F
R926	321-0193-00			RES.,FXD,FILM:1K OHM,1%,0.125W	75042	CEATO-1001F
R927	321-0238-00			RES.,FXD,FILM:2.94K OHM,1%,0.125W	75042	CEATO-2941F
R928	321-0193-00			RES.,FXD,FILM:1K OHM,1%,0.125W	75042	CEATO-1001F
R929	316-0123-00			RES.,FXD,COMP:12K OHM,10%,0.25W	01121	CB1231
R930	311-1458-00			RES.,VAR,WW:50K OHM,5%	02111	534-264
R931	316-0392-00			RES.,FXD,COMP:3.9K OHM,10%,0.25W	01121	CB3921
R932	316-0102-00			RES.,FXD,COMP:1K OHM,10%,0.25W	01121	CB1021
R933	321-0338-00			RES.,FXD,FILM:32.4K OHM,1%,0.125W	75042	CEATO-3242F
R934	321-0193-00			RES.,FXD,FILM:1K OHM,1%,0.125W	75042	CEATO-1001F
R935	321-0274-00			RES.,FXD,FILM:6.98K OHM,1%,0.125W	75042	CEATO-6981F
R936	311-1226-00			RES.,VAR,NONWIR:2.5K OHM,20%,0.50W	80294	3389 F-P31-252
R937	321-0196-00			RES.,FXD,FILM:1.07K OHM,1%,0.125W	75042	CEATO-107 1F
R938	311-1225-00			RES.,VAR,NONWIR:1K OHM,20%,0.50W	80294	3389F-P31-102
R939	321-0258-00			RES.,FXD,FILM:4.75K OHM,1%,0.125W	75042	CEATO-4751F
R940	315-0153-00			RES.,FXD,COMP:15K OHM,5%,0.25W	01121	CB1535
R941	321-0193-00			RES.,FXD,FILM:1K OHM,1%,0.125W	75042	CEATO-1001F
R942	321-0145-00			RES.,FXD,FILM:316 OHM,1%,0.125W	75042	CEATO-3160F
R943	321-0152-00			RES.,FXD,FILM:374 OHM,1%,0.125W	75042	CEATO-3740F
R944	321-0231-00			RES.,FXD,FILM:2.49K OHM,1%,0.125W	75042	CEATO-2491F
R946	321-0216-00			RES.,FXD,FILM:1.74K OHM,1%,0.125W	75042	CEATO-1741F
R947	315-0220-00			RES.,FXD,COMP:22 OHM,5%,0.25W	01121	CB2205
R948	321-0239-00			RES.,FXD,FILM:3.01K OHM,1%,0.125W	75042	CEATO-3011F
R949	321-0260-00			RES.,FXD,FILM:4.99K OHM,1%,0.125W	75042	CEATO-4991F
R950	311-1222-00			RES.,VAR,NONWIR:100 OHM,20%,0.50W	80294	3389 F-P31-101
R951	321-0183-00			RES.,FXD,FILM:787 OHM,1%,0.125W	75042	CEATO-7870F
R952	321-0199-00	B010100	B059999	RES.,FXD,FILM:1.15K OHM,1%,0.125W	75042	CEATO-1151F

Ckt No.	Tektronix Part No.	Serial/Model No. Eff	Dscont	Name & Description	Mfr Code	Mfr Part Number
R952	321-0198-00	B060000		RES.,FXD,FILM:1.13K OHM,1%,0.125W	75042	CEATO-1131F
R955	315-0272-00			RES.,FXD,COMP:2.7K OHM,5%,0.25W	01121	CB2725
R956	315-0103-00			RES.,FXD,COMP:10K OHM,5%,0.25W	01121	CB1035
R961	315-0100-00			RES.,FXD,COMP:10 OHM,5%,0.25W	01121	CB1005
R963	315-0100-00			RES.,FXD,COMP:10 OHM,5%,0.25W	01121	CB1005
R965	315-0100-00			RES.,FXD,COMP:10 OHM,5%,0.25W	01121	CB1005
R967	307-0106-00			RES.,FXD,COMP:4.7 OHM,5%,0.25W	01121	CB47G5
R969	307-0106-00			RES.,FXD,COMP:4.7 OHM,5%,0.25W	01121	CB47G5
R971	315-0472-00			RES.,FXD,COMP:4.7K OHM,5%,0.25W	01121	CB4725
R972	321-0287-00			RES.,FXD,FILM:9.53K OHM,1%,0.125W	75042	CEATO-9531F
R973	315-0391-00			RES.,FXD,COMP:390 OHM,5%,0.25W	01121	CB3915
R974	321-0268-00			RES.,FXD,FILM:6.04K OHM,1%,0.125W	75042	CEATO-6041F
R975	321-0354-00			RES.,FXD,FILM:47.5K OHM,1%,0.125W	75042	CEATO-4752F
R976	315-0562-00			RES.,FXD,COMP:5.6K OHM,5%,0.25W	01121	CB5625
R981	315-0182-00			RES.,FXD,COMP:1.8K OHM,5%,0.25W	01121	CB1825
R982	316-0101-00			RES.,FXD,COMP:100 OHM,10%,0.25W	01121	CB1011
R984	315-0201-00	XB080000	B129999X	RES.,FXD,COMP:200 OHM,5%,0.25W	01121	CB2015
R985	301-0682-00			RES.,FXD,COMP:6.8K OHM,5%,0.50W	01121	EB6825
R986	316-0103-00			RES.,FXD,COMP:10K OHM,10%,0.25W	01121	CB1031
R987	316-0332-00			RES.,FXD,COMP:3.3K OHM,10%,0.25W	01121	CB3321
R988	315-0680-00			RES.,FXD,COMP:68 OHM,5%,0.25W	01121	CB6805
R994	321-0225-00			RES.,FXD,FILM:2.15K OHM,1%,0.125W	75042	CEATO-2151F
R995	321-0155-00			RES.,FXD,FILM:402 OHM,1%,0.125W	75042	CEATO-4020F
R996	315-0221-00			RES.,FXD,COMP:220 OHM,5%,0.25W	01121	CB2215
RL001	315-0392-00			RES.,FXD,COMP:3.9K OHM,5%,0.25W	01121	CB3925
RL002	315-0332-00			RES.,FXD,COMP:3.3K OHM,5%,0.25W	01121	CB3325
RL004	321-0268-00			RES.,FXD,FILM:6.04K OHM,1%,0.125W	75042	CEATO-6041F
RL005	321-0354-00			RES.,FXD,FILM:47.5K OHM,1%,0.125W	75042	CEATO-4752F
RL	321-0287-00			RES.,FXD,FILM:9.53K OHM,1%,0.125W	75042	CEATO-9531F
RL007	315-0220-00			RES.,FXD,COMP:22 OHM,5%,0.25W	01121	CB2205
RL010	321-0414-00			RES.,FXD,FILM:200K OHM,1%,0.125W	75042	CEATO-2003F
RL011	315-0182-00			RES.,FXD,COMP:1.8K OHM,5%,0.25W	01121	CB1825
RL012 ¹	SELECTED					
RL015	301-0682-00			RES.,FXD,COMP:6.8K OHM,5%,0.50W	01121	EB6825
RL016	316-0103-00			RES.,FXD,COMP:10K OHM,10%,0.25W	01121	CB1031
RL017	316-0332-00			RES.,FXD,COMP:3.3K OHM,10%,0.25W	01121	CB3321
RL018	315-0330-00			RES.,FXD,COMP:33 OHM,5%,0.25W	01121	CB3305
RL022	315-0153-00			RES.,FXD,COMP:15K OHM,5%,0.25W	01121	CB1535
RL023	321-0185-00			RES.,FXD,FILM:825 OHM,1%,0.125W	75042	CEATO-8250F
RL024	321-0197-00			RES.,FXD,FILM:1.1K OHM,1%,0.125W	75042	CEATO-1101F
RL028	315-0103-00			RES.,FXD,COMP:10K OHM,5%,0.25W	01121	CB1035
RL029	315-0272-00			RES.,FXD,COMP:2.7K OHM,5%,0.25W	01121	CB2725
RL031	321-0193-00			RES.,FXD,FILM:1K OHM,1%,0.125W	75042	CEATO-1001F
RL032	321-0145-00			RES.,FXD,FILM:316 OHM,1%,0.125W	75042	CEATO-3160F
RL033	321-0149-00			RES.,FXD,FILM:348 OHM,1%,0.125W	75042	CEATO-3480F
RL036	321-0222-00			RES.,FXD,FILM:2K OHM,1%,0.125W	75042	CEATO-2001F
RL042	321-0208-00			RES.,FXD,FILM:1.43K OHM,1%,0.125W	75042	CEATO-1431F
RL045	315-0220-00			RES.,FXD,COMP:22 OHM,5%,0.25W	01121	CB2205
RL046	321-0239-00			RES.,FXD,FILM:3.01K OHM,1%,0.125W	75042	CEATO-3011F
RL047	321-0260-00			RES.,FXD,FILM:4.99K OHM,1%,0.125W	75042	CEATO-4991F
RL049	315-0102-00			RES.,FXD,COMP:1K OHM,5%,0.25W	01121	CB1025
RL050	316-0220-00			RES.,FXD,COMP:22 OHM,10%,0.25W	01121	CB2201
RL051	315-0101-00			RES.,FXD,COMP:100 OHM,5%,0.25W	01121	CB1015
RL052	315-0563-00			RES.,FXD,COMP:56K OHM,5%,0.25W	01121	CB5635
RL053	315-0202-00	B010100	B010179	RES.,FXD,COMP:2K OHM,5%,0.25W	01121	CB2025

¹Added if necessary.

Electrical Parts List-475

Ckt No.	Tektronix Part No.	Serial/Model No.		Name & Description	Mfr	
		Eff	Dscont		Code	Mfr Part Number
R1053	315-0432-00	B010180		RES.,FXD,COMP:4.3K OHM,5%,0.25W	01121	CB4325
R1056	321-0352-00			RES.,FXD,FILM:45.3K OHM,1%,0.125W	75042	CEATO-4532F
R1057	315-0204-00			RES.,FXD,COMP:200K OHM,5%,0.25W	01121	CB2045
R1058	315-0105-00			RES.,FXD,COMP:1M OHM,5%,0.25W	01121	CB1055
R1059	316-0103-00			RES.,FXD,COMP:10K OHM,10%,0.25W	01121	CB1031
R1060	315-0331-00	B010100	B199999	RES.,FXD,COMP:330 OHM,5%,0.25W	01121	CB3315
R1060	315-0561-00	B200000		RES.,FXD,COMP:560 OHM,5%,0.25W	01121	CB5615
R1070 ¹	311-1402-00			RES.,VAR, NONWIR:20K OHM,20%,0.50W	01121	10M421
R1071	321-0472 -04			RES.,FXD,FILM:806K OHM,0.1%,0.125W	91637	MFF1816D80602B
R1072	321-0481-04			RES.,FXD,FILM:1M OHM,0.1%,0.125W	91637	MFF1816D10003B
R1073	321-0976-04			RES.,FXD,FILM:1M OHM,0.1%,0.125W	91637	MFF1816D60202B
R1074	321-0431-04			RES.,FXD,FILM:301K OHM,0.1%,0.125W	91637	MFF1816D30102B
R1075	311-1246-00			RES.,VAR, NONWIR:5K OHM,10%,0.5W	80294	3386 H-M33-503
R1076	321-0973-04			RES.,FXD, FILM:60.2K OHM, 0.1%,0.125W	91637	MFF1816D60201B
R1077	321-0977-04			RES.,FXD,FILM:120.4K OHM,0.1%,0.125W	91637	MFF1816D12042B
R1078	321-0973-04			RES.,FXD, FILM:60.2K OHM, 0.1%,0.125W	91637	MFF1816D60201B
R1079	321-0973-04			RES.,FXD,FILM:60.2K OHM,0.1%,0.125W	91637	MFF1816D60201B
R1080	311-1246-00	XB010316		RES.,VAR, NONWIR:50K OHM,10%,0.5W	80294	3386 H-M33-503
R1081	316-0101-00			RES.,FXD,COMP:100 OHM,10%,0.25W	01121	CB1011
R1082	321-0973-04			RES.,FXD, FILM:60.2K OHM, 0.1%,0.125W	91637	MFF1816D60201B
R1083	321-0472-04			RES.,FXD,FILM:806K OHM,0.1%,0.125W	91637	MFF1816D80602B
R1084	321-0481-04			RES.,FXD,FILM:1M OHM,0.1%,0.125W	91637	MFF1816D10003B
R1085	321-0976-04			RES.,FXD,FILM:602K OHM,0.1%,0.125W	91637	MFF1816D60202B
R1086	321-0431-04			RES.,FXD, FILM:301K OHM, 0.1%,0.125W	91637	MFF1816D30102B
R1087	321-0975-04			RES.,FXD, FILM:180.6K OHM, 0.1%,0.125W	91637	MFF1816D18062B
R1088	321-0973-04			RES.,FXD,FILM:60.2K OHM,0.1%,0.125W	91637	MFF1816D60201B
R1089	321-0973-04			RES.,FXD,FILM:60.2K OHM,0.1%,0.125W	91637	MFF1816D60201B
R1090	315-0472-00	XB180000		RES.,FXD,COMP:4.7K OHM,5%,0.25W	01121	CB4725
R1091	316-0105-00			RES.,FXD,COMP:1M OHM,10%,0.25W	01121	CB1051
R1092	316-0104-00	B010100	B139999	RES.,FXD,COMP:100K OHM,10%,0.25W	01121	CB1041
R1092	316-0154-00	B140000		RES.,FXD,COMP:150K OHM,10%,0.25W	01121	CB1541
R1093	316-0101-00			RES.,FXD,COMP:100 OHM,10%,0.25W	01121	CB1011
R1094	321-0164-00			RES.,FXD,FILM:499 OHM,1%,0.125W	75042	CEATO-4990F
R1095	321-0274-00			RES.,FXD,FILM:6.98K OHM,1%,0.125W	75042	CEATO-6981F
R1096	316-0220-00			RES.,FXD,COMP:22 OHM,10%,0.25W	01121	CB2201
R1097	316-0105-00	XB010316		RES.,FXD,COMP:1M OHM,10%,0.25W	01121	CB1051
R1098	315-0102-00	XB180000		RES.,FXD,COMP:1K OHM,5%,0.25W	01121	CB1025
R1099	315-0332-00	XB180000		RES.,FXD,COMP:3.3K OHM,5%,0.25W	01121	CB3325
R1101	321-0068-00			RES.,FXD,FILM:49.9 OHM,1%,0.125W	75042	CEATO-49R90F
R1102	311-1223-00			RES.,VAR, NONWIR:250 OHM,10%,0.50W	80294	3389 F-P32-251
R1103	315-0272-00	XB060000		RES.,FXD,COMP:2.7K OHM,5%,0.25W	01121	CB2725
R1104	315-0103-00			RES.,FXD,COMP:10K OHM,5%,0.25W	01121	CB1035
R1105	315-0510-00	XB070000		RES.,FXD,COMP:51 OHM,5%,0.25W	01121	CB5105
R1106	321-0118-04			RES.,FXD, FILM:165 OHM, 0.1%,0.125W	91637	MFF1816D165ROB
R1107	321-0738-04			RES.,FXD, FILM:1.485K OHM, 0.1%,0.125W	91637	MFF1816D14850B
R1108	321-0118-04			RES.,FXD,FILM:165 OHM,0.1%,0.125W	91637	MFF1816D165ROB
R1109	316-0104-00	B010100	B139999	RES.,FXD,COMP:100K OHM,10%,0.25W	01121	CB1041
R1109	316-0154-00	B140000		RES.,FXD,COMP:150K OHM,10%,0.25W	01121	CB1541
R1110	316-0105-00			RES.,FXD,COMP:1M OHM,10%,0.25W	01121	CB1051
R1111	315-0201-00			RES.,FXD,COMP:200 OHM,5%,0.25W	01121	CB2015
R1112	321-0258-00	B010100	B079999X	RES.,FXD, FILM:4.75K OHM,1%,0.125W	75042	CEATO-4751F
R1112A	316-0100-00	XB080000		RES.,FXD,COMP:10 OHM,10%,0.25W	01121	CB1001
R1112B	321-0212-00	XB080000		RES.,FXD,FILM:1.58K OHM,1%,0.125W	75042	CEATO-1581F
R1113	321-0243-00	B010100	B079999X	RES.,FXD,FILM:3.32K OHM,1%,0.125W	75042	CEATO-3321F
R1113A	316-0100-00	XB080000		RES.,FXD,COMP:10 OHM,10%,0.25W	01121	CB1001

¹Furnished as a unit with S1070A, B.

Ckt No.	Tektronix Part No.	Serial/Model No. Eff	Dscont	Name & Description	Mfr Code	Mfr Part Number
R1113B	321-0300-00	XB080000		RES.,FXD,FILM:13K OHM,1%,0.125W	75042	CEATO-1302F
R1114	321-0141-00	B010100	B079999	RES.,FXD,FILM:287 OHM,1%,0.125W	75042	CEATO-2870F
R1114	321-0126-00	B080000		RES.,FXD,FILM:200 OHM,1%,0.125W	75042	CEATO-2000F
R1115	315-0470-00	B010100	B079999X	RES.,FXD,COMP:47 OHM,5%,0.25W	01121	CB4705
R1116	315-0561-00	B010100	B079999	RES.,FXD,COMP:560 OHM,5%,0.25W	01121	CB5615
R1116	315-0182-00			RES.,FXD,COMP:1.8K OHM,5%,0.25W	01121	CB1825
R1117	315-0622-00	B010100	B079999	RES.,FXD,COMP:6.2K OHM,5%,0.25W	01121	CB6225
R1117	315-0303-00	B080000		RES.,FXD,COMP:30K OHM,5%,0.25W	01121	CB3035
R1118	315-0201-00	XB080000		RES.,FXD,COMP:200 OHM,5%,0.25W	01121	CB2015
R1119A,B	311-1411-00			RES.,VAR,NONWIR:1K OHM, X 10K OHM,20%,0.50W	01121	10M424
R1120 ¹	315-0433-00	XB080000		RES.,FXD,COMP:43K OHM,(NOM VALUE),SEL	01121	CB4335
R1121	315-0560-00	B010100	B079999X	RES.,FXD,COMP:56 OHM,5%,0.25W	01121	CB5605
R1122	315-0201-00	B010100	B079999X	RES.,FXD,COMP:200 OHM,5%,0.25W	01121	CB2015
R1124	315-0201-00	B010100	B079999	RES.,FXD,COMP:200 OHM,5%,0.25W	01121	CB2015
R1124	315-0361-00	B080000		RES.,FXD,COMP:360 OHM,5%,0.25W	01121	CB3615
R1125	321-0134-00			RES.,FXD,FILM:243 OHM,1%,0.125W	75042	CEATO-2430F
R1126	32 1-0108-00			RES.,FXD,FILM:130 OHM,1%,0.125W	75042	CEATO-1300F
R1128	321-0056-00	B010100	B079999	RES.,FXD,FILM:37.4 OHM,1%,0.125W	75042	CEATO-37R40F
R1128	321-0045-00	B080000		RES.,FXD,FILM:28.7 OHM,1%,0.125W	75042	CEATO-28R7F
R1130	311-1230-00			RES.,VAR, NONWIR:20K OHM,20%, 0.50W	80294	3389F-P31-203
R1131	315-0273-00			RES.,FXD,COMP:27K OHM,5%,0.25W	01121	CB2735
R1132	315-0151-00			RES.,FXD,COMP:150 OHM,5%,0.25W	01121	CB1515
R1134	315-0271-00	B010100	B079999	RES.,FXD,COMP:270 OHM,5%,0.25W	01121	CB2715
R1134	315-0431-00	B080000		RES.,FXD,COMP:430 OHM,5%,0.25W	01121	CB4315
R1135	321-0134-00			RES.,FXD,FILM:243 OHM,1%,0.125W	75042	CEATO-2430F
R1138	321-0056-00	B010100	B079999	RES.,FXD,FILM:37.4 OHM,1%,0.125W	75042	CEATO-37R40F
R1138	321-0045-00	B080000		RES.,FXD,FILM:28.7 OHM,1%,0.125W	75042	CEATO-28R7F
R1140	321-0097-00			RES.,FXD,FILM:100 OHM,1%,0.125W	75042	CEATO-1000F
R1141	321-0 195-00	B010100	B079999	RES.,FXD,FILM:1.05K OHM,1%,0.125W	75042	CEATO-1051F
R1141	321-0190-00	B080000	B199999	RES.,FXD,FILM:931 OHM,1%,0.125W	75042	CEATO-9310F
R1141	321-0193-00	B200000		RES.,FXD,FILM:1K OHM,1%,0.125W	91637	MFF1816G10000F
R1142	32 1-0164-00			RES.,FXD,FILM:499 OHM,1%,0.125W	75042	CEATO-4990F
R1152	315-0121-00			RES.,FXD,COMP:120 OHM,5%,0.25W	01121	CB1215
R1153	321-0147-00			RES.,FXD,FILM:332 OHM,1%,0.125W	75042	CEATO-33 20F
R1154	321-0106-00			RES.,FXD,FILM:124 OHM,(NOM VALUE),SEL	75042	CEATO-1240F
R1155	311-12 58-00			RES.,VAR,NONWIR:50 OHM,10%,0.50W	73138	62PT-342-0
R1156	321-0159-00			RES.,FXD,FILM:442 OHM,1%,0.125W	75042	CEATO-442 0F
R1159	321-0159-00			RES.,FXD,FILM:442 OHM,1%,0.125W	75042	CEATO-4420F
R1162	315-0121-00			RES.,FXD,COMP:120 OHM,5%,0.25W	01121	CB1215
R1163	321-0147-00			RES.,FXD,FILM:332 OHM,1%,0.125W	75042	CEATO-3320F
R1164	315-0223-00			RES.,FXD,COMP:22K OHM,5%,0.25W	01121	CB2235
R1165	321-0193-00			RES.,FXD,FILM:1K OHM,1%,0.125W	75042	CEATO-1001F
R1166	315-0513-00			RES.,FXD,COMP:51K OHM,5%,0.25W	01121	CB5135
R1167	321-0193-00			RES.,FXD,FILM:1K OHM,1%,0.125W	75042	CEATO-1001F
R1168	315-0821-00	B020200	B189999	RES.,FXD,COMP:820 OHM,5%,0.25W	01121	CB8215
R1168	315-0102-00	B190000		RES.,FXD,COMP:1K OHM,5%,0.25W	01121	CB1025
R1169	315-0161-00			RES.,FXD,COMP:160 OHM,5%,0.25W	01121	CB1615
R1172	321-0157-00			RES.,FXD,FILM:422 OHM,1%,0.125W	75042	CEATO-4220F
R1173	321-0157-00			RES.,FXD,FILM:422 OHM,1%,0.125W	75042	CEATO-4220F
R1174	315-0751-00			RES.,FXD,COMP:750 OHM,5%,0.25W	01121	CB7515
R1175	311-1258-00			RES.,VAR,NONWIR:50 OHM,10%,0.50W	73138	62PT-342-0
R1182	321-0 145-00			RES.,FXD,FILM:316 OHM,1%,0.125W	75042	CEATO-3160F
R1183	321-0131-00			RES.,FXD,FILM:226 OHM,1%,0.125W	75042	CEATO-2260F
R1184	315-0751-00			RES.,FXD,COMP:750 OHM,5%,0.25W	01121	CB7515

¹Added if necessary.

Electrical Parts List-475

Ckt No.	Tektronix Part No.	Serial/Model No Eff	Dscont	Name & Description	Mfr Code	Mfr Part Number
R1185	311-1258-00			RES.,VAR, NONWIR:50 OHM,10%,0.50W	73138	62 PT-342-0
R1186	321-0182-00			RES.,FXD,FILM:768 OHM,1%,0.125W	75042	CEATO-7680F
R1187	321-0162-00			RES.,FXD,FILM:475 OHM,1%,0.125W	75042	CEATO-4750F
R1188	321-0114-00			RES.,FXD,FILM:150 OHM,1%,0.125W	75042	CEATO-1500F
R1189	315-0102-00			RES.,FXD,COMP:1K OHM,5%,0.25W	01121	CB1025
R1201	315-0102-00			RES.,FXD,COMP:1K OHM,5%,0.25W	01121	CB1025
R1202	321-0218-00			RES.,FXD,FILM:1.82K OHM,1%,0.125W	75042	CEATO-1821F
R1203	321-0234-00			RES.,FXD,FILM:2.67K OHM,1%,0.125W	75042	CEATO-2671F
R1204	321-0213-00			RES.,FXD,FILM:1.61K OHM,1%,0.125W	75042	CEATO-1621F
R1205	311-1007-00	B010100	B010274X	RES.,VAR, NONWIR:20 OHM,20%,0.50W	80294	3329HG48-200
R1209	321-0121-00			RES.,FXD,FILM:178 OHM,1%,0.125W	75042	CEATO-1780F
R1211	315-0102-00			RES.,FXD,COMP:1K OHM,5%,0.25W	01121	CB1025
R1212	321-0218-00			RES.,FXD,FILM:1.82K OHM,1%,0.125W	75042	CEATO-1821F
R1216	321-0153-00			RES.,FXD,FILM:383 OHM,1%,0.125W	75042	CEATO-3830F
R1232	317-0621-00	XB080000		RES.,FXD,COMP:620 OHM,5%,0.125W	01121	BB6215
R1233	321-0260-00			RES.,FXD,FILM:4.99K OHM,1%,0.125W	75042	CEATO-4991F
R1234	315-0100-00			RES.,FXD,COMP:10 OHM,5%,0.25W	01121	CB1005
R1235	321-0385-00			RES.,FXD,FILM:100K OHM,1%,0.125W	75042	CEATO-1003F
R1237	321-0193-00			RES.,FXD,FILM:1K OHM,1%,0.125W	75042	CEATO-1001F
R1239	321-0365-00			RES.,FXD,FILM:61.9K OHM,1%,0.125W	75042	CEATO-6192F
R1252	317-0621-00	XB080000		RES.,FXD,COMP:620 OHM,5%,0.125W	01121	BB6215
R1253	321-0260-00			RES.,FXD,FILM:4.99K OHM,1%,0.125W	75042	CEATO-4991F
R1254	315-0100-00			RES.,FXD,COMP:10 OHM,5%,0.25W	01121	CB1005
R1255	321-0385-00			RES.,FXD,FILM:100K OHM,1%,0.125W	75042	CEATO-1003F
R1256	311-1230-00			RES.,VAR, NONWIR:20K OHM,20%,0.50W	80294	3389F-P31-203
R1257	321-0385-00			RES.,FXD,FILM:100K OHM,1%,0.125W	75042	CEATO-1003F
R1258	321-0202-00			RES.,FXD,FILM:1.24K OHM,1%,0.125W	75042	CEATO-1241F
R1259	321-0291-00	B010100	B079999	RES.,FXD,FILM:10.5K OHM,1%,0.125W	75042	CEATO-1052F
R1259	321-0287-00	B080000	B219999	RES.,FXD,FILM:9.53K OHM,1%,0.125W	75042	CEATO-9531F
R1259	321-0290-00	B220000		RES.,FXD,FILM:10.2K OHM,1%,0.125W		
R1267	315-0101-00			RES.,FXD,COMP:100 OHM,5%,0.25W	01121	CB1015
R1268	315-0473-00			RES.,FXD,COMP:47K OHM,5%,0.25W	01121	CB4735
R1302	315-0203-00			RES.,FXD,COMP:20K OHM,5%,0.25W	01121	CB2035
R1303A				RES.,FXD,FILM:24.5M OHM		
R1303B				RES.,FXD,FILM:500K OHM		
R1303C	307-0290-03			RES.,FXD,FILM:23.4M OHM	80009	307-0290-03
R1303D				RES.,FXD,FILM:6.57M OHM		
R1304	315-0244-00			RES.,FXD,COMP:240K OHM,5%,0.25W	01121	CB2445
R1305	315-0822-00			RES.,FXD,COMP:8.2K OHM,5%,0.25W	01121	CB8225
R1306	315-0123-00			RES.,FXD,COMP:12K OHM,5%,0.25W	01121	CB1235
R1307	315-0683-00			RES.,FXD,COMP:68K OHM,5%,0.25W	01121	CB6835
R1308	315-0102-00			RES.,FXD,COMP:1K OHM,5%,0.25W	01121	CB1025
R1310	316-0392-00			RES.,FXD,COMP:3.9K OHM,10%,0.25W	01121	CB3921
R1312	315-0242-00			RES.,FXD,COMP:2.4K OHM,5%,0.25W	01121	CB2425
R1313	321-0327-00			RES.,FXD,FILM:24.9K OHM,1%,0.125W	75042	CEATO-2492F
R1314	316-0103-00			RES.,FXD,COMP:10K OHM,10%,0.25W	01121	CB1031
R1315	316-0473-00			RES.,FXD,COMP:47K OHM,10%,0.25W	01121	CB4731
R1316	316-0472-00			RES.,FXD,COMP:4.7K OHM,10%,0.25W	01121	CB4721
R1317	321-0329-00			RES.,FXD,FILM:26.1K OHM,1%,0.125W	75042	CEATO-2612F
R1322	316-0103-00			RES.,FXD,COMP:10K OHM,10%,0.25W	01121	CB1031
R1326	315-0394-00			RES.,FXD,COMP:390K OHM,5%,0.25W	01121	CB3945
R1328	321-0157-00			RES.,FXD,FILM:422 OHM,1%,0.125W	75042	CEATO-4220F
R1329	316-0106-00	XB080000		RES.,FXD,COMP:10M OHM,10%,0.25W	01121	CB1061
R1330	315-0182-00	XB200000		RES.,FXD,COMP:1.8K OHM,5%,0.25W	01121	CB1825
R1331	301-0153-00			RES.,FXD,COMP:15K OHM,5%,0.50W	01121	EB1535
R1332	315-0220-00	B010100	B010161X	RES.,FXD,COMP:22 OHM,5%,0.25W	01121	CB2205

Electrical Parts List-475

Ckt No.	Tektronix Part No.	Serial/Model No.		Name & Description	Mfr	
		Eff	Dscont		Code	Mfr Part Number
R1333	315-0221-00			RES., FXD, COMP: 220 OHM, 5%, 0.25W	01121	CB2215
R1335	311-1373-00	B010100	B079999X	RES., VAR, NONWIR: 5K OHM, 20%, 1W	01121	10M336A
R1335A, B	311-1533-00	XB080000		RES., VAR, NONWIR: 5K OHM X 2.5M OHM, 10%	01121	11M501
R1336	321-0206-00			RES., FXD, FILM: 1.37K OHM, 1%, 0.125W	75042	CEAT0-1371F
R1337	321-0206-00			RES., FXD, FILM: 1.37K OHM, 1%, 0.125W	75042	CEAT0-1371F
R1339	321-0174-00			RES., FXD, FILM: 634 OHM, 1%, 0.125W	75042	CEAT0-6340F
R1340	321-0120-00			RES., FXD, FILM: 174 OHM, 1%, 0.125W	75042	CEAT0-1740F
R1341	322-0197-00			RES., FXD, FILM: 1.1K OHM, 1%, 0.25W	75042	CEBTO-1101F
R1342	315-0331-00			RES., FXD, COMP: 330 OHM, 5%, 0.25W	01121	CB3315
R1343	321-0322-00			RES., FXD, FILM: 22.1K OHM, 1%, 0.125W	75042	CEAT0-2212F
R1344	316-0102-00			RES., FXD, COMP: 1K OHM, 10%, 0.25W	01121	CB1021
R1345	315-0390-00	B010100	B039999	RES., FXD, COMP: 39 OHM, 5%, 0.25W	01121	CB3905
R1345	315-0201-00	B040000		RES., FXD, COMP: 200 OHM, 5%, 0.25W	01121	CB2015
R1346	315-0682-00			RES., FXD, COMP: 6.8K OHM, 5%, 0.25W	01121	CB6825
R1352	315-0911-00	XB040000		RES., FXD, COMP: 910 OHM, 5%, 0.25W	01121	CB9115
R1354	301-0752-00			RES., FXD, COMP: 7.5K OHM, 5%, 0.50W	01121	EB7525
R1355	302-0273-00			RES., FXD, COMP: 27K OHM, 10%, 0.50W	01121	EB2731
R1356	301-0752-00			RES., FXD, COMP: 7.5K OHM, 5%, 0.50W	01121	EB7525
R1358	315-0241-00			RES., FXD, COMP: 240 OHM, 5%, 0.25W	01121	CB2415
R1362	315-0332-00			RES., FXD, COMP: 3.3K OHM, 5%, 0.25W	01121	CB3325
R1363	315-0332-00			RES., FXD, COMP: 3.3K OHM, 5%, 0.25W	01121	CB3325
R1364	315-0470-00			RES., FXD, COMP: 47 OHM, 5%, 0.25W	01121	CB4705
R1368	315-0201-00	B010100	B039999	RES., FXD, COMP: 200 OHM, 5%, 0.25W	01121	CB2015
R1368	315-0271-00	B040000		RES., FXD, COMP: 270 OHM, 5%, 0.25W	01121	CB2715
R1369	323-0307-00			RES., FXD, FILM: 15.4K OHM, 1%, 0.50W	75042	CECT0-1542F
R1371	316-0471-00	B010100	B218899	RES., FXD, COMP: 470 OHM, 10%, 0.25W	01121	CB4711
R1371	315-0102-00	B218900		RES., FXD, COMP: 1K OHM, 5%, 0.25W	01121	CB1025
R1372	316-0471-00	B010100	B218899	RES., FXD, COMP: 470 OHM, 10%, 0.25W	01121	CB4711
R1372	315-0102-00	B218900		RES., FXD, COMP: 1K OHM, 5%, 0.25W	01121	CB1025
R1373	316-0471-00	B010100	B218899	RES., FXD, COMP: 470 OHM, 10%, 0.25W	01121	CB4711
R1373	315-0102-00	B218900		RES., FXD, COMP: 1K OHM, 5%, 0.25W	01121	CB1025
R1375	311-1231-00			RES., VAR, NONWIR: 25K OHM, 20%, 0.50W	80294	3389F-P31-253
R1376	316-0103-00			RES., FXD, COMP: 10K OHM, 10%, 0.25W	01121	CB1031
R1378	315-0226-00			RES., FXD, COMP: 22M OHM, 5%, 0.25W	01121	CB2265
R1379	316-0103-00			RES., FXD, COMP: 10K OHM, 10%, 0.25W	01121	CB1031
R1380	311-0075-00			RES., VAR, NONWIR: 5M OHM, 20%	12697	381CML16993
R1384	302-0121-00			RES., FXD, COMP: 120 OHM, 10%, 0.50W	01121	EB1211
R1385	311-1227-00			RES., VAR, NONWIR: 5K OHM, 20%, 0.50W	80294	3389F-P31-502
R1386	311-1373-00			RES., VAR, NONWIR: 5K OHM, 20%, 1W	01121	10M336A
R1390	311-1235-00			RES., VAR, NONWIR: 100K OHM, 20%, 0.50W	80294	3389F-P31-104
R1391	316-0470-00			RES., FXD, COMP: 47 OHM, 10%, 0.25W	01121	CB4701
R1393	321-0231-00			RES., FXD, FILM: 2.49K OHM, 1%, 0.125W	75042	CEAT0-2491F
R1394	321-0248-00			RES., FXD, FILM: 3.74K OHM, 1%, 0.125W	75042	CEAT0-3741F
R1395	311-1226-00			RES., VAR, NONWIR: 2.5K OHM, 20%, 0.50W	80294	33 89F-P31-252
R1396	316-0101-00			RES., FXD, COMP: 100 OHM, 10%, 0.25W	01121	CB1011
R1397	311-1372-00			RES., VAR, NONWIR: 100K OHM, 20%, 1W	01121	10M335A
R1398	316-0100-00			RES., FXD, COMP: 10 OHM, 10%, 0.25W	01121	CB1001
R1399	316-0470-00			RES., FXD, COMP: 47 OHM, 10%, 0.25W	01121	CB4701
R1416	323-0265-00			RES., FXD, FILM: 5.62K OHM, 1%, 0.50W	91637	MFF1226G56200F
R1417	321-0282-00			RES., FXD, FILM: 8.45K OHM, 1%, 0.125W	75042	CEAT0-8451F
R1418	315-0181-00	XB170000		RES., FXD, COMP: 180 OHM, 5%, 0.25W	01121	CB1815
R1422	315-0682-00			RES., FXD, COMP: 6.8K OHM, 5%, 0.25W	01121	CB6825
R1423	303-0822-00			RES., FXD, COMP: 8.2K OHM, 5%, 1W	01121	GB8225
R1424	315-0122-00			RES., FXD, COMP: 1.2K OHM, 5%, 0.25W	01121	CB1225
R1425	315-0563-00			RES., FXD, COMP: 56K OHM, 5%, 0.25W	01121	CB5635
R1426	307-0052-00			RES., FXD, COMP: 3 OHM, 5%, 0.50W	01121	EB30G5
R1430	311-1226-00			RES., VAR, NONWIR: 2.5K OHM, 20%, 0.50W	80294	3389F-P31-252

Electrical Parts List-475

Ckt No	Tektronix		Serial/Model No		Name & Description	Mfr	
	Part No.	Eff	Discont	Code		Mfr Part Number	
R1431	321-0351-00				RES.,FXD,FILM:44.2K OHM,1%,0.125W	75042	CEAT0-4422F
R1432	321-0284-00				RES.,FXD,FILM:8.87K OHM,1%,0.125W	75042	CEAT0-8871F
R1444	321-0761-03				RES.,FXD,FILM:35K OHM,0.25%,0.125W	75042	CEAT2-3502C
R1445	321-0684-00				RES.,FXD,FILM:15K OHM,0.5%,0.125W	75042	CEAT2-1502D
R1446	315-0471-00				RES.,FXD,COMP:470 OHM,5%,0.25W	01121	CB4715
R1447	315-0622-00				RES.,FXD,COMP:6.2K OHM,5%,0.25W	01121	CB6225
R1448	308-0245-00				RES.,FXD,WW:0.6 OHM,5%,2W	91637	RS2B162ER6000J
R1454	321-0775-03				RES.,FXD,FILM:45K OHM,0.25%,0.125W	75042	CEAT2-4502C
R1455	321-0816-03				RES.,FXD,FILM:5K OHM,0.25%,0.125W	75042	CEAT2-5KC
R1456	315-0331-00				RES.,FXD,COMP:330 OHM,5%,0.25W	01121	CB3315
R1457	315-0302-00				RES.,FXD,COMP:3K OHM,5%,0.25W	01121	CB3025
R1458	308-0245-00				RES.,FXD,WW:0.6 OHM,5%,2W	91637	RS2B162ER6000J
R1463	321-0273-00				RES.,FXD,FILM:6.81K OHM,1%,0.125W	75042	CEAT0-6811F
R1464	321-0756-03				RES.,FXD,FILM:50K OHM,0.25%,0.125W	75042	CEAT2-5002C
R1465	321-0962-03				RES.,FXD,FILM:8K OHM,0.25%,0.125W	91637	MFF1816D80000C
R1466	315-0561-00				RES.,FXD,COMP:560 OHM,5%,0.25W	01121	CB5615
R1467	315-0432-00				RES.,FXD,COMP:4.3K OHM,5%,0.25W	01121	CB4325
R1468	308-0245-00				RES.,FXD,WW:0.6 OHM,5%,2W	91637	RS2B162ER6000J
R1473	321-0287-00				RES.,FXD,FILM:9.53K OHM,1%,0.125W	75042	CEAT0-9531F
R1474	321-0756-03				RES.,FXD,FILM:50K OHM,0.25%,0.125W	75042	CEAT2-5002C
R1475	321-0684-00				RES.,FXD,FILM:15K OHM,0.5%,0.125W	75042	CEAT2-1502D
R1476	315-0331-00				RES.,FXD,COMP:330 OHM,5%,0.25W	01121	CB3315
R1477	315-0472-00				RES.,FXD,COMP:4.7K OHM,5%,0.25W	01121	CB4725
R1478	307-0052-00				RES.,FXD,COMP:3 OHM,5%,0.50W	01121	EB30G5
R1480	311-1373-00				RES.,VAR,NONWIR:5K OHM,20%,1W	01121	10M336A
R1481	315-0392-00	B010100	B169999		RES.,FXD,COMP:3.9K OHM,5%,0.25W	01121	CB3925
R1481	315-0302-00	B170000			RES.,FXD,COMP:3K OHM,5%,0.25W	01121	CB3025
R1483	315-0202-00	B010100	B079999		RES.,FXD,COMP:2K OHM,5%,0.25W	01121	CB2025
R1483	315-0472-00	B080000			RES.,FXD,COMP:4.7K OHM,5%,0.25W	01121	CB4725
R1484	315-0433-00	B010100	B079999		RES.,FXD,COMP:43K OHM,5%,0.25W	01121	CB4335
R1484	315-0203-00	B080000			RES.,FXD,COMP:20K OHM,5%,0.25W	01121	CB2035
R1485	315-0473-00	B010100	B079999		RES.,FXD,COMP:47K OHM,5%,0.25W	01121	CB4735
R1485	315-0273-00	B080000			RES.,FXD,COMP:27K OHM,5%,0.25W	01121	CB2735
R1486	321-0364-00				RES.,FXD,FILM:60.4K OHM,1%,0.125W	75042	CEAT0-6042F
R1487	321-0356-00				RES.,FXD,FILM:49.9K OHM,1%,0.125W	75042	CEAT0-4992F
R1488	305-0242-00	B010100	B079999		RES.,FXD,COMP:2.4K OHM,5%,2W	01121	HB2425
R1488	308-0127-00	B080000			RES.,FXD,WW:2.5K OHM,5%,5W	91637	RS5-B25000J
R1489	315-0180-00	XB080000			RES.,FXD,COMP:18 OHM,5%,0.25W	01121	CB1805
R1493	315-0104-00				RES.,FXD,COMP:100K OHM,5%,0.25W	01121	CB1045
R1494	315-0104-00				RES.,FXD,COMP:100K OHM,5%,0.25W	01121	CB1045
R1495	316-0221-00	XB080000			RES.,FXD,COMP:220 OHM,10%,0.25W	01121	CB2211
R1496	321-0356-00	B010100	B199999		RES.,FXD,FILM:49.9K OHM,1%,0.125W	75042	CEAT0-4992F
R1496	321-0357-00	B200000			RES.,FXD,FILM:51.1K OHM,1%,0.125W	91637	MFF1816D51101C
R1497	321-0280-00				RES.,FXD,FILM:8.06K OHM,1%,0.125W	75042	CEAT0-8061F
R1498	315-0153-00				RES.,FXD,COMP:15K OHM,5%,0.25W	01121	CB1535
R1499	315-0102-00				RES.,FXD,COMP:1K OHM,5%,0.25W	01121	CB1025
R1501	315-0912-00				RES.,FXD,COMP:9.1K OHM,5%,0.25W	01121	CB9125
R1502	315-0433-00				RES.,FXD,COMP:43K OHM,5%,0.25W	01121	CB4335
R1503	315-0822-00				RES.,FXD,COMP:8.2K OHM,5%,0.25W	01121	CB8225
R1504	315-0473-00				RES.,FXD,COMP:47K OHM,5%,0.25W	01121	CB4735
R1506	315-0512-00				RES.,FXD,COMP:5.1K OHM,5%,0.25W	01121	CB5125
R1515	311-1221-00				RES.,VAR,NONWIR:50 OHM,20%,0.50W	80294	3389F-P31-500
R1516	321-0107-00				RES.,FXD,FILM:127 OHM,1%,0.125W	75042	CEAT0-1270F
R1517	321-0001-00				RES.,FXD,FILM:10 OHM,1%,0.125W	75042	CEAT0-10R00F
R1691	303-0150-00				RES.,FXD,COMP:15 OHM,5%,1W	01121	GB1505

Ckt No.	Tektronix Part No.	Serial/Model No. Eff	Dscont	Name & Description	Mfr Code	Mfr Part Number
R1692	321-0062-00			RES., FXD, FILM:43.2 OHM,1%, 0.125W	75042	CEATO-43R20F
R1693	323-0140-00			RES., FXD, FILM:280 OHM,1%, 0.50W	75042	CECTO-2800F
R1694	323-0140-00			RES., FXD, FILM:280 OHM,1%, 0.50W	75042	CECTO-2800F
R1695	321-0228-00			RES., FXD, FILM:2.32K OHM,1%, 0.125W	75042	CEATO-2321F
R1697	321-0201-00			RES., FXD, FILM:1.21K OHM,1%, 0.125W	75042	CEATO-1211F
R1698	315-0363-00			RES., FXD, COMP:36K OHM,5%, 0.25W	01121	CB3635
RT149	307-0124-00	B010100	B099999X	RES., THERMAL:5K OHM,10%	50157	1D1618
RT170	307-0181-00			RES., THERMAL:100K OHM,10%, 4MW/DEG C	14193	2J05-104K
RT249	307-0124-00	B010100	B099999X	RES., THERMAL:5K OHM,10%	50157	1D1618
RT270	307-0181-00			RES., THERMAL:100K OHM,10%, 4MW/DEG C	14193	2J05-104K
RT452	307-0127-00	B010100	B099999	RES., THERMAL:1K OHM,1%	50157	2D1596
RT452	307-0125-00	B100000		RES., THERMAL:500 OHM,10%, 25 DEG C	50157	2D1595
RT559	307-0124-00			RES., THERMAL:5K OHM,10%	50157	1D1618
RT759	307-0124-00			RES., THERMAL:5K OHM,10%	50157	1D1618
RT1103	307-0125-00	XB070000		RES., THERMAL:500 OHM,10%, 25 DEG C	50157	2D1595
RT1123	307-0124-00	B010100	B069999X	RES., THERMAL:5K OHM,10%	50157	1D1618
RT1696	307-0124-00			RES., THERMAL:5K OHM,10%	50157	1D1618
S20A(2)	105-02 82-00	B010100	B208099	DRUM, CAM SWITCH:AC/GND/DC	80009	105-0282-00
S20A(2)	105-02 82-01	B208100		DRUM, CAM SWITCH:AC/GND/DC	80009	105-0282-01
S20B(2)	105-0343-00	B010100	B208099	ACTUATOR, SWITCH :VOLTS/DIV	80009	105-0343-00
S20B(2)	105-0343-01	B208100		ACTUATOR, SWITCH :VOLTS/DIV	80009	105-0343-01
S128 ¹						
S225	260-1208-00			SWITCH, PUSH: INVERT	71590	2KAB010000-359
S228 ²						
S300	260-1424-00			SWITCH, PUSH: VERT MODE	80009	260-1424-00
S375A	105-0423-00	B010100	B099999	ACTUATOR, SWITCH:20 MHZ BW	80009	105-0423-00
S375A	263-1019-00	B100000		ACTUATOR, SWITCH:100 OR 20 MHZ BW	80009	263-1019-00
S375B, C	105-0421-00			ACTUATOR, SWITCH:TRIG VIEW	80009	105-0421-00
S450A, B	260-1310-01			SWITCH, PUSH:BEAM FINDER	80009	260-1310-01
S505	105-0400-00			ACTUATOR, SWITCH:A TRIGGER SOURCE	80009	105-0400-00
S508	105-0399-00			ACTUATOR, SWITCH:A TRIGGER COUPLING	80009	105-0399-00
S530 ³						
S600	260-1422-00			SWITCH, PUSH:TRIG MODE	71590	2KBC030000-594
S644 ⁴						
S705	105-0401-00			ACTUATOR, SWITCH: B (DLY'D) TRIGGER SOURCE	80009	105-0401-00
S708	105-0399-00			ACTUATOR, SWITCH : B (DLY 'D) TRIGGER COUPLING	80009	105-0399-00
S750 ⁵						
S1050A, B	105-0363-00			ACTUATOR, SWITCH :A AND B TIME/DIV, DELAY TIME	80009	105-0363-00
S1070A, B ⁶						
S1090	260-1423-00			SWITCH, PUSH: HORI Z DISPLAY	71590	2KBC040000-593
S1099	260-1595-00	XB180000		SWITCH, MICRO:	91929	1SV1
S1110A, B	260-1209-00			SWITCH, PUSH:X10 MAG	71590	2KAB001000-358
S1401	260-0834-00			SWITCH, TOGGLE :POWER	09353	7201-SN
S1402	260-0638-00			SW, THERMOSTATIC:10A, 24 0V, OPEN 75 DEG C	93410	S3530
S1403	260-1300-01			SWITCH, SLIDE :DPDT, 3A, 125V	82389	46206LFE
T178	120-0469-00			XFMR, TOROID:3 TURNS BIFILAR	80009	120-0469-00
T278	120-0469-00			XFMR, TOROID:3 TURNS BIFILAR	80009	120-0469-00
T1320 ⁷	120-0815-00	B010100	B099999	XFMR, POWER:HV (VARNISHED)	80009	120-0815-00
T1320 ⁷	120-0815-01	B100000		XFMR, POWER: HV (MOLDED)	80009	120-0815-01
T1400	120-0799-00	B010100	B069999	XFMR, POWER : LV	80009	120-0799-00
T1400	120-0799-01	B070000		XFMR, POWER : LV	80009	120-0799-01
U120	155-0085-00	B010100	B099999	MICROCIRCUIT, LI:HYBRID, DUAL FET INPUT/AMPL	80009	155-0085-00

¹Furnished as a unit with R128.

²Furnished as a unit with R228.

³Furnished as a unit with R530.

⁴Furnished as a unit with R644.

⁵Furnished as a unit with R750.

⁶Furnished as a unit with R1070.

⁷Either of these transformers may be used in an instrument.

Electrical Parts List-475

Ckt No	Tektronix Part No.	Serial/Model No.		Name & Description	Mfr	
		Eff	Dscont		Code	Mfr Part Number
U120	155-0085-01	B100000		MICROCIRCUIT, LI:HYB, DUAL FET INPUT/AMPL, SEL	80009	155-0085-01
U140	155-0078-00	B010100	B099999	MICROCIRCUIT, LI:ML, VERT AMPL	80009	155-0078-00
U140	155-0078-07	B100000		MICROCIRCUIT, LI:ML, VERT AMPL, SEL	80009	155-0078-07
U220	155-0085-00	B010100	B099999	MICROCIRCUIT, LI:HYBRID, DUAL FET INPUT/AMPL	80009	155-0085-00
U220	155-0085-01	B100000		MICROCIRCUIT, LI:HYB, DUAL FET INPUT/AMPL, SEL	80009	155-0085-01
U240	155-0078-00	B010100	B099999	MICROCIRCUIT, LI:ML, VERT AMPL	80009	155-0078-00
U240	155-0078-07	B100000		MICROCIRCUIT, LI:ML, VERT AMPL, SEL	80009	155-0078-07
U330	156-0030-00			MICROCIRCUIT, DI:QUAD 2-INPUT POS NAND GATE	01295	SN7400N
U340	156-0030-00			MICROCIRCUIT, DI:QUAD 2-INPUT POS NAND GATE	01295	SN7400N
U350	156-0041-00			MICROCIRCUIT,DI:DUAL D-TYPE FLIP-FLOP	27014	DM7474N
U370	155-0091-00			MICROCIRCUIT, LI:ML, CHANNEL SWITCH	80009	155-0091-00
U450	155-0078-01	B010100	B099999	MICROCIRCUIT, LI:ML, VERT AMPL, SEL	80009	155-0078-01
U450	155-0078-05	B100000		MICROCIRCUIT, LI:ML, VERT AMPL, SEL	80009	155-0078-05
U470	155-0082-00			MICROCIRCUIT, LI:HYBRID, VERT OUTPUT AMPL	80009	155-0082-00
U520	155-0032-01			MICROCIRCUIT, LI:MONOLITHIC, INPUT PRE-AMPL	80009	155-0032-01
U600	155-0049-00	B010100	B059999	MICROCIRCUIT,DI:SWEEP CONTROL	80009	155-0049-00
U600	155-0049-01	B060000		MICROCIRCUIT, DI:MONOLITHIC, SWEEP CONTROL	80009	155-0049-01
U720	155-0032-01			MICROCIRCUIT, LI:MONOLITHIC, INPUT PRE-AMPL	80009	155-0032-01
U930	156-0158-00			MICROCIRCUIT,LI:DUAL OPERATIONAL AMPLIFIER	18324	S5558V
U1321	152-0552-00			SEMICOND DEVICE: VOLTAGE MULTIPLIER	80009	152-0552-00
U1418	156-0158-00			MICROCIRCUIT,LI:DUAL OPERATIONAL AMPLIFIER	18324	S5558V
U1454	156-0158-00			MICROCIRCUIT, LI:DUAL OPERATIONAL AMPLIFIER	18324	S5558V
U1464	156-0158-00			MICROCIRCUIT,LI:DUAL OPERATIONAL AMPLIFIER	18324	S5558V
U1690	156-0281-00			MICROCIRCUIT, LI:4 TRANSISTOR ARRAY	80009	156-0281-00
V1380	154-0677-00	B010100	B069999	ELECTRON TUBE : CRT	80009	154-0677-00
V1380	154-0677-10	B070000		ELECTRON TUBE : CRT	80009	154-0677-10
VR144	152-0195-00	B010100	B099999	SEMICOND DEVICE:ZENER,0.4W,5.1V,5%	81483	69-6512
VR144	152-0166-00	B100000		SEMICOND DEVICE:ZENER,0.4W,6.2V,5%	81483	69-9035
VR161	152-0166-00			SEMICOND DEVICE:ZENER,0.4W,6.2V,5%	81483	69-9035
VR244	152-0195-00	B010100	B099999	SEMICOND DEVICE: ZENER,0.4W,5.1V,5%	81483	69-6512
VR244	152-0166-00	B100000		SEMICOND DEVICE: ZENER,0.4W,6.2V,5%	81483	69-9035
VR261	152-0166-00			SEMICOND DEVICE:ZENER,0.4W,6.2V,5%	81483	69-9035
VR290	152-0280-00	B010100	B099999	SEMICOND DEVICE: ZENER,0.4W,6.2V,5%	04713	1N75 3A
VR290	152-0166-00	B100000		SEMICOND DEVICE: ZENER,0.4W,6.2V,5%	81483	69-9035
VR396	152-0280-00	B010100	B099999	SEMICOND DEVICE: ZENER,0.4W,6.2V,5%	04713	1N753A
VR396	152-0166-00	B100000		SEMICOND DEVICE: ZENER,0.4W,6.2V,5%	81483	69-9035
VR462	152-0195-00			SEMICOND DEVICE: ZENER,0.4W,5.1V,5%	81483	69-6512
VR464	152-0195-00			SEMICOND DEVICE:ZENER,0.4W,5.1V,5%	81483	69-6512
VR467	152-0278-00	XB090000		SEMICOND DEVICE:ZENER,0.4W,3V,5%	07910	1N4372A
VR482	152-0195-00			SEMICOND DEVICE: ZENER,0.4W,5.1V,5%	81483	69-6512
VR570	152-0217-00			SEMICOND DEVICE: ZENER,0.4W,8.2V,5%	07910	1N756A
VR608	152-0278-00			SEMICOND DEVICE: ZENER,0.4W,3V,5%	07910	1N4372A
VR647	152-0195-00	B010100	B218149X	SEMICOND DEVICE: ZENER, 0.4W,5.1V,5%	81483	69-6512
VR796	152-0226-00			SEMICOND DEVICE: ZENER,0.4W,5.1V,5%	81483	69-6584
VR798	152-0278-00			SEMICOND DEVICE: ZENER,0.4W,3V,5%	07910	1N4372A
VR930	152-0265-00			SEMICOND DEVICE:ZENER,0.4W,24V, 5%	04713	1N970B
VR938	152-0304-00			SEMICOND DEVICE: ZENER,0.4W,20V,5%	04713	1N968B
VR956	152-0278-00			SEMICOND DEVICE: ZENER, 0.4W, 3V,5%	07910	1N4372A
VR1026	152-0278-00			SEMICOND DEVICE : ZENER, 0.4W, 3V, 5%	07910	1N4372A
VR1124	152-0175-00	XB080000		SEMICOND DEVICE: ZENER,0.4W,5.6V,5%	04713	1N752A
VR1134	152-0166-00	XB080000		SEMICOND DEVICE: ZENER,0.4W,6.2V,5%	81483	69-9035
VR1216	152-0055-00			SEMICOND DEVICE : ZENER, 0.4W, 11V, 5%	04713	1N962B
VR1267	152-0166-00			SEMICOND DEVICE: ZENER,0.4W,6.2V,5%	81483	69-9035
VR1329 ¹	152-0289-00	XB200000		SEMICOND DEVICE: ZENER,0.4W,180V,5%	04713	1N991B
VR1362	152-0166-00			SEMICOND DEVICE: ZENER,0.4W,6.2V,5%	81483	69-9035

¹Some S/N may contain two diodes in series for VR1329. Replace with a single 152-0289-00.

Electrical Parts List—475

Ckt No.	Tektronix Part No.	Serial/Model No. Eff	Dscont	Name & Description	Mfr Code	Mfr Part Number
VR1362	152-0166-00			SEMICOND DEVICE: ZENER, 0.4W, 6.2V, 5%	81483	69-9035
VR1374	152-0357-00			SEMICOND DEVICE: ZENER, 0.4W, 82V, 5%	04713	1N983B
VR1381	152-0247-00	B010100	B079999X	SEMICOND DEVICE: ZENER, 0.4W, 150V, 5%	04713	1N989B
VR1416	152-0411-00			SEMICOND DEVICE: ZENER, 0.25W, 9V, 5%	04713	1N937
VR1418	152-0022-00			SEMICOND DEVICE: ZENER, 1W, 25V, 5%	80009	152-0022-00
VR1422	152-0283-00			SEMICOND DEVICE: ZENER, 0.4W, 43V, 5%	04713	1N976B
VR1423	152-0304-00			SEMICOND DEVICE: ZENER, 0.4W, 20V, 5%	04713	1N968B
VR1480	152-0127-00	XB170000		SEMICOND DEVICE: ZENER, 0.4W, 7.5V, 5%	04713	1N755A

REPLACEABLE MECHANICAL PARTS

PARTS ORDERING INFORMATION

Replacement parts are available from or through your local Tektronix, Inc. Field Office or representative.

Changes to Tektronix instruments are sometimes made to accommodate improved components as they become available, and to give you the benefit of the latest circuit improvements developed in our engineering department. It is therefore important, when ordering parts, to include the following information in your order: Part number, instrument type or number, serial number, and modification number if applicable.

If a part you have ordered has been replaced with a new or improved part, your local Tektronix, Inc. Field Office or representative will contact you concerning any change in part number.

Change information, if any, is located at the rear of this manual.

SPECIAL NOTES AND SYMBOLS

- X000 Part first added at this serial number
- 00X Part removed after this serial number

FIGURE AND INDEX NUMBERS

Items in this section are referenced by figure and index numbers to the illustrations.

INDENTATION SYSTEM

This mechanical parts list is indented to indicate item relationships. Following is an example of the indentation system used in the description column.

```

1 2 3 4 5           Name & Description
Assembly and/or Component
Attaching parts for Assembly and/or Component
    - - * - - -
Detail Part of Assembly and/or Component
Attaching parts for Detail Part
    - * -
Parts of Detail Part
Attaching parts for Parts of Detail Part
    - - - * - - -
    
```

Attaching Parts always appear in the same indentation as the item it mounts, while the detail parts are indented to the right. Indented items are part of, and included with, the next higher indentation. The separation symbol - - - * - - - indicates the end of attaching parts.

Attaching parts must be purchased separately, unless otherwise specified.

ITEM NAME

In the Parts List, an Item Name is separated from the description by a colon (:). Because of space limitations, an Item Name may sometimes appear as incomplete. For further Item Name identification, the U.S. Federal Cataloging Handbook H6-1 can be utilized where possible.

ABBREVIATIONS

#	INCH NUMBER SIZE	ELCTRN	ELECTRON	IN	INCH	SE	SINGLE END
ACTR	ACTUATOR	ELEC	ELECTRICAL	INCAND	INCANDESCENT	SECT	SECTION
ADPTR	ADAPTER	ELCTLT	ELECTROLYTIC	INSUL	INSULATOR	SEMCOND	SEMICONDUCTOR
ALIGN	ALIGNMENT	ELEM	ELEMENT	INTL	INTERNAL	SHLD	SHIELD
AL	ALUMINUM	EPL	ELECTRICAL PARTS LIST	LPHLDR	LAMPHOLDER	SHLDR	SHOULDERED
ASSEM	ASSEMBLED	EQPT	EQUIPMENT	MACH	MACHINE	SKT	SOCKET
ASSY	ASSEMBLY	EXT	EXTERNAL	MECH	MECHANICAL	SL	SLIDE
ATTEN	ATTENUATOR	FIL	FILLISTER HEAD	MTG	MOUNTING	SLFLKG	SELF-LOCKING
AWG	AMERICAN WIRE GAGE	FLEX	FLEXIBLE	NIP	NIPPLE	SLVG	SLEEVING
BD	BOARD	FLH	FLAT HEAD	NON WIRE	NOT WIRE WOUND	SPR	SPRING
BRKT	BRACKET	FLTR	FILTER	OBD	ORDER BY DESCRIPTION	SQ	SQUARE
BRS	BRASS	FR	FRAME or FRONT	OD	OUTSIDE DIAMETER	SST	STAINLESS STEEL
BRZ	BRONZE	FSTNR	FASTENER	OVH	OVAL HEAD	STL	STEEL
BSHG	BUSHING	FT	FOOT	PH BRZ	PHOSPHOR BRONZE	SW	SWITCH
CAB	CABINET	FXD	FIXED	PL	PLAIN or PLATE	T	TUBE
CAP	CAPACITOR	GSKT	GASKET	PLSTC	PLASTIC	TERM	TERMINAL
CER	CERAMIC	HDL	HANDLE	PN	PART NUMBER	THD	THREAD
CHAS	CHASSIS	HEX	HEXAGON	PNH	PAN HEAD	THK	THICK
CKT	CIRCUIT	HEX HD	HEXAGONAL HEAD	PWR	POWER	TNSN	TENSION
COMP	COMPOSITION	HEX SOC	HEXAGONAL SOCKET	RCPT	RECEPTACLE	TPG	TAPPING
CONN	CONNECTOR	HLCPS	HELICAL COMPRESSION	RES	RESISTOR	TRH	TRUSS HEAD
COV	COVER	HLEXT	HELICAL EXTENSION	RGD	RIGID	V	VOLTAGE
CPLG	COUPLING	HV	HIGH VOLTAGE	RLF	RELIEF	VAR	VARIABLE
CRT	CATHODE RAY TUBE	IC	INTEGRATED CIRCUIT	RTNR	RETAINER	W/	WITH
DEG	DEGREE	ID	INSIDE DIAMETER	SCH	SOCKET HEAD	WSHR	WASHER
DWR	DRAWER	IDENT	IDENTIFICATION	SCOPE	OSCILLOSCOPE	XFMR	TRANSFORMER
		IMPLR	IMPELLER	SCR	SCREW	XSTR	TRANSISTOR

CROSS INDEX MFR. CODE NUMBER TO MANUFACTURER

MFR.CODE	MANUFACTURER	ADDRESS	CITY,STATE,ZIP
0000C	Gettig Engineering and Manufacturing Co.		Springmill, PA 16875
00779	AMP, Inc.	P. O. Box 3608	Harrisburg, PA 17105
05129	Kilo Engineering Co.	2015 D	La Verne, CA 91750
05820	Wakefield Engineering, Inc.	Audubon Road	Wakefield, MA 01880
06982	Moore, Howard J., Co.	105 E. 16th St.	New York, NY 10003
07700	Technical Wire and Products, Inc.	129 Dermody St.	Cranford, NJ 07016
08261	Spectra-Strip Corp.	7100 Lampson Ave.	Garden Grove, CA 92642
09353	C and K Components, Inc.	103 Morse Street	Watertown, MA 02172
12327	Freeway Corp.	9301 Allen Dr.	Cleveland, OH 44125
12360	Albany Products Co., Div. of Pneumo Dynamics Corp.	351 Connecticut Ave.	South Norwalk, CT 06856
14438	USM Corp., Nylok Fastener Div.	3730 W. Morse	Lincolnwood, IL 60645
16428	Belden Corp.	P. O. Box 1101	Richmond, IN 47374
22526	Berg Electronics, Inc.	Youk Expressway	New Cumberland, PA 17070
23050	Product Components Corp	30 Lorraine Ave.	Mt Vernon, NY 10553
23499	Gavitt Wire and Cable, Division of RSC Industries, Inc.	455 N. Quince St.	Escondido, CA 92025
24931	Specialty Connector Co., Inc.	3560 Madison Ave.	Indianapolis, IN 46227
28817	Cal-Metex Corp., Subsidiary of Metex Corp.	509 Hindry Ave.	Inglewood, CA 90301
42838	National Rivet and Mfg. Co.	1-21 East Jefferson St.	Waupun, WI 53963
70276	Allen Mfg. Co.	P. O. Drawer 570	Hartford, CT 06101
70278	Allied Steel and Conveyors, Div. of Sparton Corp.	17333 Healy	Detroit, MI 48212
71279	Cambridge Thermionic Corp.	445 Concord Ave.	Cambridge, MA 02138
71590	Centralab Electronics, Div. of Globe-Union, Inc.	5757 N. Green Bay Ave.	Milwaukee, WI 53201
71785	TRW Electronic Components, Cinch Connector Operations	1501 Morse Ave.	Elk Grove Village, IL 60007
72228	Continental Screw Co., Div. of Amtel, Inc.	459 Mt. Pleasant	New Bedford, MA 02746
73743	Fischer Special Mfg. Co.	446 Morgan St.	Cincinnati, OH 45206
74445	Holo-Krome Co.	31 Brook St. West	Hartford, CT 06110
74921	Iten Fibre Co., The	4001 Benefit Ave.	Ashtabula, OH 44004
75497	Lamson and Sessions Co., The	5000 Tiedeman Road	Cleveland, OH 44144
77250	Pheoll Manufacturing Co., Division of Allied Products Corp.	5700 W. Roosevelt Rd.	Chicago, IL 60650
78189	Illinois Tool Works, Inc. Shakeproof Division	St. Charles Road	Elgin, IL 60120
79136	Waldes, Kohinoor, Inc.	47-16 Austel Place	Long Island City, NY 11101
79807	Wrought Washer Mfg. Co.	2100 S. O Bay St.	Milwaukee, WI 53207
80009	Tektronix, Inc.	P. O. Box 500	Beaverton, OR 97077
80033	Prestole Everlock, Inc.	P. O. Box 278-1345 Miami St.	Toledo, OH 43605
82389	Switchcraft, Inc.	5555 N. Elston Ave.	Chicago, IL 60630
83385	Central Screw Co.	2530 Crescent Dr.	Broadview, IL 60153
83501	Gavitt Wire and Cable, Division of RSC Industries, Inc.	Central St.	Brook field, MA 01506
91260	Conner Spring and Mfg. Co.	1729 Junction Ave.	San Jose, CA 95112
93410	Essex International, Inc., Controls Div. Mansfield Plant	P. O. Box 1007	Mansfield, OH 44903
97464	Industrial Retaining Ring Co.	57 Cordier St.	Irvington, NJ 07111
98278	Malco A Microdot Co., Inc., Connector and Cable Division	220 Pasadena Ave.	South Pasadena, CA 91030
98291	Sealectro Corp.	225 Hoyt	Mamaroneck, NY 10544

FIGURE 1 FRONT PANEL

Fig. & Index No.	Tektronix Part No.	Serial/Model No. Eff	Dscnt	Qty						Name & Description	Mfr Code	Mfr Part Number
					1	2	3	4	5			
1-1	200-1411-00			1						BEZEL,CRT:	80009	200-1411-00
-2	213-0313-00			4						. THUMBSCREW:4-40 X 0.45 INCH,KNURLED	80009	213-0183-00
-3	337-1674-00			1						SHLD, ELCTRN TUB :CRT	80009	337-1674-00
-4	366-0494-00			3						KNOB: GRAY	80009	366-0494-00
	213-0153-00			1						SETScrew:5-40 X 0.125 INCH ,HEX SOC STL	74445	OBD
-5	358-0378-01			14						BUSHING,SLEEVE:0.25-32 X 0.535 INCH LONG	80009	358-0378-01
-6	358-0216-00			3						BUSHING, PLASTIC:0.257 ID X 0.412 INCH OD	80009	358-0216-00
-7	366-1031-02			2						KNOB:RED-VAR	80009	366-1031-02
	213-0153-00			1						. SETSCREW:5-40 X 0.125 INCH,HEX SOC STL	74445	OBD
-8	366-1425-00			2						KNOB:GRAY--VOLTS /DIV	80009	366-1425-00
	213-0153-00			2						. SETSCREW:5-40 X 0.125 INCH, HEX SOC STL	74445	OBD
-9	366-0215-02			2						KNOB:LEVER SWITCH	80009	366-0215-02
-10	366-1402-31			1						PUSH BUTTON:GRAY--INVERT	80009	366-1402-31
-11	366-1402-32	B010100	B099999	1						PUSH BUTTON:GRAY--BEAM FINDER	80009	366-1402-32
	366-1402-42	B100000		1						PUSH BUTTON:--BEAM FINDER	80009	366-1402-42
-12	378-0803-01			2						LENS,LIGHT:CLEAR ,ATTENUATOR	80009	378-0803-01
-13	366-1257-20			1						PUSH BUTTON:GRAY--CH 2	80009	366-1257-20
-14	366-1402-37			1						PUSH BUTTON: GRAY--CHOP	80009	366-1402-37
-15	366-1257-16			1						PUSH BUTTON:GRAY--ADD	80009	366-1257-16
-16	366-1402-36			1						PUSH BUTTON:GRAY--ALT	80009	366-1402-36
-17	366-1257-19			1						PUSH BUTTON:GRAY--CH1	80009	366-1257-19
-18	426-0681-00			16						FR, PUSH BUTTON:GRAY PLASTIC	80009	426-0681-00
-19	366-1023-01			3						KNOB: GRAY	80009	366-1023-01
	213-0153-00			1						SETScrew:5-40 X 0.125 INCH, HEX SOC STL	74445	OBD
-20	366-1346-02			1						KNOB : RED	80009	366-1346-00
	213-0153-00			1						SETScrew:5-40 X 0.125 INCH,HEX SOC STL	74445	OBD
-21	366-1219-00	B010100	B069999	1						KNOB:0.906 OD X 0.89 INCH L	80009	366-1219-00
	366-1219-01	B070000	B149999	1						KNOB:GRAY--DLY'D SWEEP	80009	366-1219-01
	366-1219-02	B150000	B179999	1						KNOB:GRAY--DLY'D SWEEP	80009	366-1219-02
	366-1219-03	B180000	B207499	1						KNOB:GRAY--DLY'D SWEEP	80009	366-1219-03
	366-1219-01	B207500		1						KNOB:GRAY--DLY'D SWEEP	80009	366-1219-01
	213-0153-00			2						SETScrew:5-40 X 0.125 INCH, HEX SOC STL	74445	OBD
	377- 0293-01	B150000	B207499X	1						INSERT , KNOB: INTERLOCKING	80009	377-0293-01
	213-0004-00	B150000	B207499X	2						. SETSCREW:6-32 X 0.188 INCH, HEX. SOC STL	74445	OBD
	213-0153-00	B150000	B207499X	1						SETScrew:5-40 X 0.125 INCH,HEX SOC STL	74445	OBD
-22	354-0442-00	B010100	B089999	1						RING, KNOB SKIRT: PLASTIC,1.45 INCH DIA	80009	354-0442-00
	354-0442-01	B090000	B179999	1						RING, KNOB SKIRT:PLASTIC,1.45 INCH DIA	80009	354-0442-01
	354-0442-02	B180000		1						RING, KNOB SKIRT: PLASTIC,1.45 INCH DIA	80009	354-0442-02
	213-0153-00	B010100	B089999	1						SETScrew:5-40 X 0.125 INCH,HEX SOC STL	74445	OBD
	213-0005-00	B090000		1						SETScrew:8-32 X 0.125 INCH ,HSS	74445	OBD
	384-1087-00	XB180000		1						SHAFT,PUSH:ACTUATOR	80009	384-1087-00
	105-0554-00	XB180000		1						ACTUATOR , SWITCH : PLASTIC	80009	105-0554-00
-23	401-0080-00			1						BRG, KNOB SKIRT: 0.789 ID X 0.866"OD PLASTIC	80009	401-0080-00
-24	366-1327-00			1						KNOB : GRAY	80009	366-1327-00
	213-0153-00			1						SETScrew:5-40 X 0.125 INCH, HEX SOC STL	74445	OBD
-25	366-1280-00			3						KNOB : GRAY	80009	366-1278-00
	213-0153-00			1						. SETSCREW:5-40 X 0.125 INCH,HEX SOC STL	74445	OBD
-26	366-1402-33			1						PUSH BUTTON:GRAY--X10	80009	366-1402-33
-27	366-1402-35			1						PUSH BUTTON: GRAY--B DLY'D	80009	366-1402-35
-28	366-1402-44			1						PUSH BUTTON:GRAY--A INTEN	80009	366-1402-44
-29	366-1257-29			1						PUSH BUTTON:GRAY--SNGL SWP	80009	366-1257-29
-30	366-1402-34	B010100	B069999	1						PUSH BUTTON:GRAY--A	80009	366-1402-34
	366-1489-36	B070000	B179999	1						PUSH BUTTON:GRAY--A LOCKS KNOBS	80009	366-1489-36
	366-1402-34	B180000	B207499	1						PUSH BUTTON: GRAY--A	80009	366-1402-34
	366-1489-36	B207500		1						PUSH BUTTON: GRAY--A LOCKS KNOBS	80009	366-1489-36
-31	366-1402-38			1						PUSH BUTTON:GRAY--AUTO	80009	366-1402-38
-32	366-1402-39			1						PUSH BUTTON :GRAY--NORM	80009	366-1402-39
-33	366-1402-29			1						PUSH BUTTON: GRAY--MIX	80009	366-1402-29
-34	378-0803-00			5						LENS ,LIGHT:CLEAR	80009	378-0803-00
-35	366-1278-00			2						KNOB : GRAY	80009	366-1278-00
	213-0153-00			1						SETScrew:5-40 X 0.125 INCH,HEX SOC STL	74445	OBD

Mechanical Parts List-475

Fig. & Index No.	Tektronix Part No.	Serial/Model Eff	No. Dscont	Qty	1 2 3 4 5	Name & Description	Mfr	
							Code	Mfr Part Number
1-36				1		RESISTOR, VAR: (SEE R930 EPL) (ATTACHING PARTS)		
-37	331-0328-00 311-1483-00			1		DIAL, CONTROL: 10 TURN FOR 0.25 DIA SHAFT	05129	461-S-70
	-----					- * - - -		
	213-0048-00			1		DIAL INCLUDES: SETSCREW: 4-40 X 0.125 INCH, HEX SOC STL	74445	OBD
-38	378-0635-00			4		LENS, LIGHT: WHITE	80009	378-0635-00
-39	333-1636-00	B010100	B099999	1		PANEL, FRONT:	80009	333-1636-00
	333-1636-02	B100000		1		PANEL, FRONT:	80009	333-1636-02
-40	-----			4		RESISTOR, VAR: (SEE R119, 530, 644, 750 EPL) (ATTACHING PARTS)		
-41	210-0583-00			1		NUT, PLAIN, HEX.: 0.25-32 X 0.312 INCH, BRS	73743	2X20319-402
-42	210-0940-00			1		WASHER, FLAT: 0.25 ID X 0.375 INCH OD, STL	79807	OBD
						- * - - -		
-43	131-0955-00			2		CONNECTOR, RCPT, :BNC, FEMALE (ATTACHING PARTS FOR EACH)	24931	28 JR200-1
-44	210-0255-00			1		TERM INAL, LUG: 0.391" ID INT TOOTH	80009	210-0255-00
						- * - - -		
-45	119-0373-00			1		COIL, CALIBRATIO: (ATTACHING PARTS)	80009	119-0373-00
-46	210-0586-00			2		NUT, PLAIN, EXT W: 4-40 X 0.25 INCH, STL	78189	OBD
-47	210-0851-00			2		WASHER, FLAT: 0.119 ID X 0.375 INCH OD, STL	12327	OBD
-48	210-0811-00			2		WASH., SHOULDERE: 0.125 ID X 0.50 INCH OD	74921	6525
-49	361-0059-01			1		SPACER, CUR LOOP: 1.094 X 0.344 X 0.125 INCH	80009	361-0059-01
-50	210-0593-00			2		NUT, FINISHING: 0.25 HEX X 0.312" LONG, BRS	80009	210-0593-00
						- * - - -		
-51	384-1162-00	B010100	B099999	1		EXTENSION SHAFT: 11.42 INCH LONG, W/KNOB	80009	384-1162-00
	384-1162-01	B100000		1		EXTENSION, SHAFT: W/KNOB, 11.42 INCHES LONG	80009	384-1162-01
-52	386-2330-00	B010100	B196409X	1		SUBPANEL, FRONT: (ATTACHING PARTS)	80009	386-2330-00
-53	213-0107-00	B010100	B196409X	11		SCR, TPG, THD FOR: 4-40 X 0.25 INCH, FLH STL	72228	OBD
						- * - - -		
-54	352-0340-00			2		LAMPHOLDER: SCALE FACTOR (ATTACHING PARTS FOR EACH)	80009	352-0340-00
-55	211-0001-00			1		SCREW, MACHINE: 2-56 X 0.25 INCH, PNH STL	83385	OBD
						- * - - -		
-56	348-0276-00			FT		SHLD GSMT, ELEC: 0.026 OD NPRNW/WIRE NET CO	28817	01-0404-3719
-57	426-0926-01	B010100	B196409	1		FRAME, CABINET: FRONT	80009	426-0926-01
	426-1108-01	B196410		1		FRAME, CABINET: FRONT (ATTACHING PARTS)	80009	426-1108-01
	213-0183-00			4		SCR, TPG, THD FOR: 6-32 X 0.25 INCH, PNH STL	83385	OBD
						- * - - -		
-58	386-2340-00			4		SUPPORT, CRT: FRONT		386-2340-00
-59	-----			1		CKT BOARD ASSY: GRATICULE ILLUM (SEE A10 EPL)		
-60	378-0728-00			1		REFLECTOR, LIGHT: SCALE ILLUMINATION	80009	378-0728-00
-61	352-0329-00			1		LAMPHOLDER: SCALE ILLUMINATION	80009	352-0329-00
-62	175-0825-00			FT		WIRE, ELECTRICAL: 2 WIRE RIBBON	23499	TEK-175-0825-00
-63	131-0707-00			2		CONTACT, ELEC: 0.48"L, 22-26 AWG WIRE	22526	47439
-64	352-0169-02			1		HOLDER, TERM. CON: 2 WIRE RED	80009	352-0169-00

FIGURE 2 MAINFRAME

Fig. & Index No.	Tektronix Part No.	Serial/Model No. Eff	No. Dscont	Qty	1 2 3 4 5	Name & Description	Mfr	
							Code	Mfr Part Number
2-1	426-0970-00			1		FRAMESECT,CAB: REAR (ATTACHING PARTS)	80009	426-0970-00
-2	211-0516-00			2		SCREW, MACHINE:6-32 X 0.875 INCH, PNH STL - - - * - - -	83385	OBD
-3	348-0339-00			4		FOOT ,CABINET : W/CORD WRAP (ATTACHING PARTS)	80009	348-0339-00
-4	212-0020-00			1		SCREW, MACHINE:8-32 X 1.0 INCH, PNH STL - - - * - - -	83385	OBD
-5	348-0349-00			FT		SHIELD GASKET: ELECTRICAL,2.75 FEET	07700	2143951
-6	378-0044-01			1		FIL ELEM,AIR CO:2.5 SQ X 0.25 INCH THK	80009	378-0044-01
-7	200-1414-02			1		COVER, REAR: (ATTACHING PARTS)	80009	200-1414-02
-8	211-0101-00			2		SCREW,MACHINE:4-40 X 0.25" 100 DEG,FLH STL - - - * - - -	83385	OBD
-9	386-2408-00			1		PLATE,CONN MTG:BNC CONNECTORS	80009	386-2408-00
-10	131-0955-00			4		CONNECTOR,RCPT , :BNC,FEMALE (ATTACHING PARTS)	24931	28 JR200-1
-11	210-0255-00			1		TERMINAL, LUG: 0.391" ID INT TOOTH - - - * - - -	80009	210-0255-00
-12	131-0771-00			2		CONNECTOR,RCPT, :4 CONT,QUICK DISCONNECT (ATTACHING PARTS FOR EACH)	80009	131-0771-00
-13	220-0551-00			1		NUT,PLAIN,HEX. :9 MM X 0.437 INCH	80009	220-0551-00
-14	210-0012-00			1		WASHER, LOCK:INTL, 0.375 ID X 0.50" OD STL - - - * - - -	78189	1220-02-00-0541C
-15	386-2332-01			1		PANEL,REAR: (ATTACHING PARTS)	80009	386-2332-01
-16	211-0105-00			1		SCREW,MACHINE:4-40 X 0.188"100 DEG,FLH STL	83385	OBD
-17	211-0038-00			1		SCREW,MACHINE:4-40 X 0.312"100 DEG,FLH STL	83385	OBD
-18	210-0201-00			1		TERMINAL,LUG:SE #4	78189	2104-04-00-2520N
-19	210-0586-00			1		NUT,PLAIN,EXT W:4-40 X 0.25 INCH,STL - - - * - - -	78189	OBD
-20	200-1445-01			1		COV ASSY, LINE V:	80009	200-1445-01
-21	352-0102-00			1		FUSEHOLDER:0.262"ID TUBE FOR CRTG FUSE (ATTACHING PARTS)	80009	352-0102-00
-22	213-0034-00			2		SCR,TPG,THD CTG:4-40 X 0.188 INCH,PNH STL - - - * - - -	83385	OBD
-23	204-0549-01			1		BODY ASSY, LINE: (ATTACHING PARTS)	80009	204-0549-01
-24	210-0407-00			2		NUT,PLAIN,HEX. :6-32 X 0.25 INCH,BRS	73743	3038-0228-402
-25	210-0006-00			2		WASHER, LOCK:INTL, 0.146 ID X 0.283"OD, STL - - - * - - -	78189	1206 -00-00 -0541C
	-----			-		BODY ASSY INCLUDES:		
	131-1318-01			2		CONTACT, ELEC:SHORTING BAR	80009	131-1318-01
	214-0778-00			1		. CONTACT,ASSY:SELECTOR BLOCK	80009	214-0778-00
-26	161-0033-07			1		CABLE ASSY,PWR, :3 WIRE,92 INCH LONG	16428	KH8002
-27	358-0372-00			1		BSHG,STRAIN RLF:180 DEG,0.156" DIA HOLE	80009	358-0372-00
-28	200-1004-00			1		CABLE, NIP. ,ELEC:0.265 ID X 0.38"OD W/FLG	80009	200-1004-00
-29	358-0371-00			1		BSHG, STRAIN RLF:90 DEG, 0.25 INCH DIA HOLE	80009	358-0371-00
-30	343-0088-00			1		CLAMP,LOOP:0.062 INCH DIA	80009	343-0088-00
-31	200-1459-00			1		COVER,CRT:REAR (ATTACHING PARTS)	80009	200-1459-00
-32	211-0008-00			2		SCREW,MACHINE:4-40 X 0.25 INCH, PNH STL - - - * - - -	83385	OBD
-33	407-1128-00			1		BRKT,CRT SHIELD:REAR (ATTACHING PARTS)	80009	407-1128-00
-34	211-0507-00			2		SCREW,MACHINE:6-32 X 0.312 INCH,PNH STL	83385	OBD
-35	210-0803-00			1		WASHER,FLAT:0.15 ID X 0.375 INCH OD,STL	12327	OBD
-36	210-0202-00			1		TERMINAL,LUG:SE #6	78189	2104-06-00-2520N
-37	220-0419-00			3		NUT,PLAIN,SQ:6-32 X 0.312 INCH,STL	83385	OBD
-38	211-0590-00			1		SCREW, MACHINE:6-32 X 0.25 INCH, PNH STL - - - * - - -	83385	OBD
-39	386-2246-00			1		SUPPORT,CRT: REAR	80009	386-2246-00
-40	348 -0145-00			1		GROMMET, PLASTIC: U-SHP,1. 0 X 0.42 INCH	80009	348-0145-00
-41	337-1645-00			1		SHLD, ELECTRICAL: CRT NECK	80009	337-1645-00
-42	-----			1		COIL,TUBE DEFLE:Y-AXIS(SEE L1385 EPL)		

Mechanical Parts List-475

FIGURE 2 MAINFRAME (CONT)

Fig. & Index No.	Tektronix Part No.	Serial/Model No. Eff	No. Dscont	Qty	1 2 3 4 5	Name & Description	Mfr	
							Code	Mfr Part Number
2-43	343-0217-00			1		CLAMP, COIL : (ATTACHING PARTS)	80009	343-0217-00
-44	211-0147-00			2		SCREW, MACHINE :4-40 X 0.25 INCH, PNH STL	83385	OBD
-45	210-0994-00			2		WASHER, FLAT: 0.125 ID X 0.25" OD, STL	83385	OBD
-46	210-0201-00			1		TERMINAL, LUG : SE #4 - - - * - - -	78189	2104 -04-00-2520N
-47	337-1688-00			1		SHLD, ELECTRICAL :HIGH VOLTAGE (ATTACHING PARTS)	80009	337-1688-00
-48	211-0065-00			3		SCREW, MACHINE :4-40 X 0.188 INCH, PNH STL - - - * - - -	77250	OBD
-49	348-0115-00			1		GROMMET, PLASTIC:U-SHP, 0.548 X 0.462 INCH	80009	348-0115-00
-50	-----			1		CKT BOARD ASSY :FAN MOTOR (SEE A6 EPL)		
-51	136-0269-00			1		. SOCKET, PLUG-IN :14 PIN DUAL INLINE	71785	133-59-02-073
-52	131-0608-00			2		CONTACT, ELEC :0.365 INCH LONG	22526	47357
-53	136-0252-04			3		CONTACT, ELEC :0.188 INCH LONG MOTOR, DC: (SEE B1690 EPL)	22526	75060
-54	426-0781-00			1		. MOUNT, MOTOR: (ATTACHING PARTS)		426-0781-00
-55	213-0088-00			2		SCR, TPG, THD CTG:4-24 X 0.25 INCH, PNH STL - - - * - - -	83385	OBD
-56	337-1762-00			1		SHLD, ELECTRICAL:FAN MOTOR	80009	337-1762-00
-57	426-0781-00			1		MOUNT, MOTOR: (ATTACHING PARTS)	80009	426-0781-00
-58	213-0088-00			2		SCR, TPG, THD CTG:4-24 X 0.25 INCH, PNH STL - - - * - - -	83385	OBD
-59	407-1153-00			1		BRKT, XSTR MTG : (ATTACHING PARTS)	80009	407-1153-00
-60	210-0586-00			2		NUT, PLAIN, EXT W:4-40 X 0.25 INCH, STL - - - * - - -	78189	OBD
-61	-----			1		TRANSISTOR:CHAS MTG(SEE Q1318 EPL) (ATTACHING PARTS)		
-62	211-0012-00			2		SCREW, MACHINE :4-40 X 0.375 INCH, PNH STL	83385	OBD
-63	210-0205-00			1		TERMINAL, LUG:SE #8	78189	2104 -08-00-2520N
-64	358-0214-00			2		INSULATOR, BSHG:0.25 DIA X 0.188 INCH L		358-0214-00
-65	214-1610-00			1		HEAT SINK, ELEC : TRANSISTOR - - - * - - -		214-1610-00
-66	369-0031-00	B010100	B109999	1		IMPLR, FAN, AXIAL :2.60 INCH OD, PLASTIC	80009	369-0031-00
	369-0031-01	B110000		1		IMPLR, FAN, AXIAL :	80009	369-0031-01
	213-0022-00			1		. SETSCREW:4-40 X 0.188 INCH, HEX SOC STL	74445	OBD
-67	348-0056-00			3		GROMMET, PLASTIC :0.375 INCH DIA	80009	348-0056-00
-68	348-0253-00			1		GROMMET, PLASTIC:1.24 X 0.739 X 0.108" OA	80009	348-0253-00
-69	348-0063-00	B010100	B143499	4		GROMMET, PLASTIC :0.50 INCH DIA	80009	348-0063-00
	348-0063-00	B143500		2		GROMMET, PLASTIC :0.50 INCH DIA	80009	348-0063-00
	348-0064-00	B143500		2		GROMMET, PLASTIC :0.625 INCH DIA	80009	348-0064-00
-70	441-1084-00	B010100	B099999	1		CHAS, ELEC EQUIP :MAIN	80009	441-1084-00
	441-1084-03	B100000		1		CHAS, ELEC EQUIP :MAIN	80009	441-1084-03
-71	-----			1		COIL, DEFLE: TRACE ROTATION (SEE L1386 EPL)		
-72	344-0250-00			1		CLIP, ELECTRICAL: COMPONENT MOUNTING (ATTACHING PARTS)	80033	E5001-041
-73	211-0008-00			1		SCREW, MACHINE :4-40 X 0.25 INCH, PNH STL	83385	OBD
-74	210-0586-00			1		NUT, PLAIN, EXT W:4-40 X 0.25 INCH, STL - - - * - - -	78189	OBD
-75	-----			1		DELAY LINE, ELEC: (SEE DL380 EPL)		
	131-1002-02			1		RETAINER, WIRE, E:	80009	131-1002-02
	131-1313-00			1		CONTACT, ELEC : DELAY LINE TERMINAL	80009	131-1313-00
-76	407-1138-00			1		BRKT, DELAY LINE : (ATTACHING PARTS)	80009	407-1138-00
-77	210-0457-00			1		NUT, PLAIN, EXT W:6-32 X 0.312 INCH, STL - - - * - - -	83385	OBD
-78	-----			3		TRANSISTOR: (SEE Q1426, 1448, 1458 EPL) (ATTACHING PARTS FOR EACH)		
-79	211-0012-00			1		SCREW, MACHINE :4-40 X 0.375 INCH, PNH STL	83385	OBD
-80	210-0071-00			1		WASHER, SPR TNSN:0.146 ID X 0.323" OD, STL	78189	4706-05-01-0531
-81	342-0163-00			1		INSULATOR, PLATE :X STR, 0.675 X 0.625 X 0.001" - - - * - - -	80009	342-0163-00

FIGURE 2 MAINFRAME (CONT')

Fig. & Index No.	Tektronix Part No.	Serial/Model No. Eff	Dscont	Qty	1	2	3	4	5	Name & Description	Mfr Code	Mfr Part Number
2-82	-----	-----		1						XFMR,PWR,STPDN: (SEE T1400 EPL)		
-83	407-1066-00			1						BRKT, XFMR MTG:	80009	407-1066-00
-84	212-0522-00			4						SCREW, MACHINE: 10-32 X 2.50", HEX HD STL	83385	OBD
-85	210-0 812-00			4						WASHER, NONMETAL: #10, FIBER	06982	OBD
-86	166-0457-00			4						INSUL SLVG, ELEC: 0.19 ID X 1.875" LONG MYLAR	80009	166-0457-00
-87	200-1544-01			1						COVER, XFMR: 3 L X 2.5 W X 0.65 INCH H	80009	200-1544-01
-88	210-0056-00			4						WASHER, LOCK: SPLIT, 0.047 ID X 0.32" OD, P BRZ	83385	OBD
-89	220-0561-00			4						NUT, PLAIN, HEX.: 10-32 X 0.25 INCH, BRS (ATTACHING PARTS)	80009	220-0561-00
-90	211-0538-00			2						SCREW, MACHINE: 6-32 X 0.312" 100 DEG, FLH STL	83385	OBD
-91	210-0457-00			4						NUT, PLAIN, EXT W: 6-32 X 0.312 INCH, STL	83385	OBD
-92	337-1763-00	B010100	B099999	1						SHLD, ELECTRICAL: TRANSFORMER	80009	337-1763-00
	337-1763-01	B100000		1						SHLD, ELECTRICAL: TRANSFORMER	80009	337-1763-01
-93	260-0638-00			1						SW, THERMOSTATIC: 10A, 240V, OPEN 75 DEG C (ATTACHING PARTS)	93410	S3530
-94	213-0044-00			2						SCR, TPG, THD FOR: 5-32 X 0.188 INCH, PNH STL	83385	OBD
-95	136-0513-00	B010100	B079999	1						SKT, ELCTRN TUBE: CRT	80009	136-0513-00
	136-0513-01	B080000		1						SKT, ELCTRN TUBE: CRT	80009	136-0513-01
-96	136-0202-01			1						. SOCKET, PLUG-IN: 14 PIN	80009	136-0202-01
-97	131-0707-00			4						. CONTACT, ELEC: 0.48"L, 22-26 AWG WIRE	22526	47439
-98	352-0162-00			1						HOLDER, TERM. CON: 4 WIRE BLACK	80009	352-0162-00
-99	175-0825-00			FT						WIRE, ELECTRICAL: 2 WIRE RIBBON, 7.375 INCHES	23499	TEK-175-0825-00
-100	175-0826-00			FT						WIRE, ELECTRICAL: 3 WIRE RIBBON, 14 INCHES	08261	TEK-175-0826-00
-101	175-0827-00			FT						WIRE, ELECTRICAL: 4 WIRE RIBBON, 13.5 INCHES	08261	TEK-175-0827-00
-102	175-0828-00			FT						WIRE, ELECTRICAL: 5 WIRE RIBBON, 9 INCHES	23499	TEK-175-0828-00
-103	175-0829-00			FT						WIRE, ELECTRICAL: 6 WIRE RIBBON, 8 INCHES	83501	TEK-175-0829-00
-104	175-0830-00			FT						WIRE, ELECTRICAL: 7 WIRE RIBBON, 6.5 INCHES	08261	TEK-175-0830-00
-105	175-0833-00			FT						WIRE, ELECTRICAL: 10 WIRE RIBBON, 5.5 INCHES	23499	TEK-175-0833-00
-106	352-0171-00			2						HOLDER, TERM. CON: 1 WIRE BLACK	80009	352-0171-00
-107	352-0169-00			2						HOLDER, TERM. CON: 2 WIRE BLACK	80009	352-0169-00
-108	352-0161-00	B010100	B079999	4						HOLDER, TERM. CON: 3 WIRE BLACK	80009	352-0161-00
	352-0161-00	B080000		3						HOLDER, TERM. CON: 3 WIRE BLACK	80009	352-0161-00
	352-0162-00	B010100	B079999	2						HOLDER, TERM. CON: 4 WIRE BLACK	80009	352-0162-00
	352-0162-00	B080000		3						HOLDER, TERM. CON: 4 WIRE BLACK	80009	352-0162-00
-109	352-0163-00			2						HOLDER, TERM. CON: 5 WIRE BLACK	80009	352-0163-00
-110	352-0164-00			1						HOLDER, TERM. CON: 6 WIRE BLACK	80009	352-0164-00
-111	352-0165-00			1						HOLDER, TERM. CON: 7 WIRE BLACK	80009	352-0165-00
-112	352-0168-00			1						HOLDER, TERM. CON: 10 WIRE BLACK	80009	352-0168-00
	131-0707-00	B010100	B079999	63						CONTACT, ELEC: 0.48"L, 22-26 AWG WIRE	22526	47439
	131-0707-00	B080000		64						CONTACT, ELEC: 0.48"L, 22-26 AWG WIRE	22526	47439
-113	131-0371-00			2						CONTACT, ELEC: FOR NO. 26 AWG WIRE	98278	12093-8
-114	131-1119-00			4						CONTACT, ELEC: FOR NO. 22-26 AWG WIRE	22526	75374-001
-115	210-0774-00			5						EYELET, METALLIC: 0.152 OD X 0.245 INCH L, BRS	80009	210-0774-00
-116	210-0775-00			5						EYELET, METALLIC: 0.126 OD X 0.23 INCH L, BRS	80009	210-0775-00
	343-0088-00	XB080000		2						CLAMP, LOOP: 0.062 INCH DIA	80009	343-0088-00

Mechanical Parts List-475

FIGURE 3 RIGHT SIDE

Fig. & Index No.	Tektronix Part No.	Serial/Model No.		Qty	1	2	3	4	5	Name & Description	Mfr Code	Mfr Part Number	
		Eff	Dscont										
3-1	407-1133-00			1						BRACKET, SW MTG:POWER SWITCH (ATTACHING PARTS)	80009	407-1133-00	
-2	210-0406-00	B010100	B099999	2						NUT, PLAIN, HEX.:4-40 X 0.188 INCH, BRS	73743	2X12161-402	
	210-0406-00	B100000		1						NUT, PLAIN, HEX.:4-40 X 0.188 INCH, BRS	73743	2X12161-402	
-3	210-0994-00	B010100	B099999	2						WASHER, FLAT:0.125 ID X 0.25" OD, STL	83385	OBD	
	210-0994-00	B100000		1						WASHER, FLAT:0.125 ID X 0.25" OD, STL	83385	OBD	
	200-1526-00	XB050000		1						COV, INV SW HOLE:	80009	200-1526-00	
-4	260-1300-01/			1						SWITCH, SLIDE :DPDT, 3A, 125V (ATTACHING PARTS)	82389	46206LFE	
-5	211-0007-00	B010100	B143499	2						SCREW, MACHINE:4-40 X 0.188 INCH, PNH STL	83385	OBD	
	211-0101-00	B143500		2						SCREW, MACHINE:4-40 X 0.250"100 DEG, FLH STL	83385	OBD	
-6	260-0834-00			1						SWITCH, TOGGLE: DPDT, 5A, 125VAC, 0.25-40 THD (ATTACHING PARTS)	09353	7201-SN	
-7	210-0562-00			1						NUT, PLAIN, HEX.:0.25-40 X 0.312 INCH, BRS	73743	2X20224-402	
-8	210-0046-00			1						WASHER, LOCK: INTL, 0.26 ID X 0.40" OD, STL	78189	1214 -05-00 -0541C	
-9	214-1756-00			1						ACTUATOR, SWITCH: POWER	80009	214-1756-00	
-10	384-1159-00			1						EXTENSION SHAFT:10.384 INCH LONG, W/KNOB	80009	384-1159-00	
-11	-----			1						CKT BOARD ASSY:TRIG GEN/SWP LOGIC (SEE A8 EPL)			
-12	214-0579-00			10						TERM., TEST PT:0.40 INCH LONG	80009	214-0579-00	
-13	131-0566-00			11						LINK, TERM. CONNE:0.086 DIA X 2.375 INCH L	0000C	L-2007-1	
-14	131-1003-00			8						CONNECTOR BODY, :CKT BD MT, 3 PRONG	80009	131-1003-00	
-15	136-0252-04			210						CONTACT, ELEC:0.188 INCH LONG	22526	75060	
-16	131-0608-00	B010100	B220279	14						CONTACT, ELEC:0.365 INCH LONG	22526	47357	
	131-0608-00	B220280		9						CONTACT, ELEC:0.365 INCH LONG	22526	47357	
	131-1343-00	B220280		1						CONTACT, ELEC:TERM, S ET, 36 PIN, CUT	22526	65274-2	
-17	136-0499-02			1						CONNECTOR, RCPT, :2 CONTACT	00779	3-380949-2	
-18	136-0499-10			1						CONNECTOR, RCPT, :10 CONTACT	00779	4-380949-0	
-19	136-0499-12			1						CONNECTOR, RCPT, :12 CONTACT	00779	4-380949-2	
-20	355-0175-00	B010100	B099999	2						STUD, SELF-LKG:4-40 X 0.35 INCH LONG	80009	355-0175-00	
	355-0175-00	B100000		1						STUD, SELF-LKG:4-40 X 0.35 INCH LONG	80009	355-0175-00	
-21	200-0945-01			2						COVER, HALF XSTR:FOR DUAL TO-18 CS, 2-56 THD	80009	200-0945-01	
-22	200-0945-00			2						COVER, HALF XSTR:FOR DUAL TO-18 CASE (ATTACHING PARTS FOR EACH)	80009	200-0945-00	
-23	211-0062-00			1						SCREW, MACHINE:2-56 X 0.312 INCH, RDH STL	83385	OBD	
	386-2660-00	XB100000		1						SUPPORT, CKT BD:PLASTIC (ATTACHING PARTS)	80009	386-2660-00	
	211-0116-00	XB100000		1						SCR, ASSEM WSHR:4-40 X 0.312 INCH, PNH BRS	83385	OBD	
	210-0551-00	XB100000		1						NUT, PLAIN, HEX.:4-40 X 0.25 INCH, STL	83385	OBD	
-24	352-0331-00			3						LAMPHOLDER :	80009	352-0331-00	
-25	131-1031-00			23						CONTACT ASSY, EL: CAM SWITCH, TOP	80009	131-1031-00	
-26	210-0779-00			17						RIVET, TUBULAR:0.051 OD X 0.115 INCH LONG	42838	RA-29952715	
-27	386-2376-00			1						PLATE, LEVER MTG:SLIDE SWITCH	80009	386-2376-00	
-28	210-0657-01			2						EYELET, METALLIC:0.089 OD X 0.218 INCH LONG	80009	210-0657-01	
	105-0399-00			2						ACTUATOR, SWITCH:A TRIGGER COUPLING	80009	105-0399-00	
-29	105-0419-00			1						ACTUATOR, SWITCH:	80009	105-0419-00	
-30	351-0355-00			1						GUIDE, SW SLIDE:	80009	351-0355-00	
-31	214-1126-02			2						SPRING, FLAT: RED COLORED	80009	214-1126-02	
-32	214-1127-00			2						ROLLER, DETENT:0.125 DIA X 0.125 INCH L	80009	214-1127-00	
-33	376-0142-00			1						ADPT, SHAFT, CPLG:SLIDE TO SHAFT	80009	376-0142-00	
	213-0048-00			1						SETSCREW:4-40 X 0.125 INCH, HEX SOC STL	74445	OBD	
	105-0400-00			1						ACTUATOR, SWITCH:A SOURCE	80009	105-0400-00	
-34	105-0418-00			1						ACTUATOR, SWITCH :	80009	105-0418-00	
-35	351-0355-00			1						GUIDE, SW SLIDE:	80009	351-0355-00	
-36	214-1126-01			2						SPRING, FLAT: GREEN COLORED	80009	214-1126-01	
-37	214-1127-00			2						ROLLER, DETENT:0.125 DIA X 0.125 INCH L	80009	214-1127-00	
-38	376-0142-00			1						ADPT, SHAF T,CPLG:SLIDE TO SHAFT	80009	376-0142-00	
	213-0048-00			1						SETSCREW:4-40 X 0.125 INCH, HEX SOC STL	74445	OBD	
	105-0401-00			1						ACTUATOR, SWITCH:B (DLY'D) SOURCE	80009	105-0401-00	
-39	105-0417-00			1						ACTUATOR, SWITCH :	80009	105-0417-00	
-40	351-0355-00			1						GUIDE, SW SLIDE:	80009	351-0355-00	
-41	214-1126-01			2						SPRING, FLAT: GREEN COLORED	80009	214-1126-01	
-42	214-1127-00			2						ROLLER, DETENT:0.125 DIA X 0.125 INCH L	80009	214-1127-00	
-43	376-0142-00			1						ADPT, SHAFT, CPLG:SLIDE TO SHAFT	80009	376-0142-00	
	213-0048-00			1						SETSCREW:4-40 X 0.125 INCH, HEX SOC STL	74445	OBD	

FIGURE 3 RIGHTSIDE (CONT)

Fig. & Index No.	Tektronix Part No.	Serial/Model No. Eff	Dscnt	Qty	1 2 3 4 5					Name & Description	Mfr		
					Code	Mfr Part Number							
3-44	384-1160-00			4	EXTENSION SHAFT:3.05 INCH LONG	80009	384-1160-00	
-45	214-1770-00			4	LEVER,SLIDE SW:	80009	214-1770-00	
-46	354-0165-00			2	RING, RETAINING:	97464	1000-15	
										(ATTACHING PARTS)			
-47	211-0207-00			5	SCR,ASSEM	WSHR:4-40 X 0.312 INCH,PNH STL					83385	NOTE	
-48	129-0386-00			1	POST,ELEC-MECH:HEX,1.593 INCH LONG						80009	129-0386-00	
										- * - - -			
-49	-----			1	CKT BOARD ASSY:TIMING(SEE A7 EPL)								
	105-0363-00			1	ACTUATOR ASSY:CAM SWITCH--TIME/CM						80009	105-0363-00	
-50	200-1420-00	B010100	B179999	1	COVER,CAM SW:						80009	200-1420-00	
	200-1420-01	B180000		1	COVER,CAM SW:						80009	200-1420-01	
										(ATTACHING PARTS)			
-51	211-0008-00			6	SCREW,MACHINE:4-40 X 0.25 INCH,PNH STL						83385	OBD	
-52	210-0004-00			6	WASHER, LOCK:INTEL, 0.12 ID X 0.26"OD, STL						78189	1204 -00-00 -0541C	
	210-0406-00			5	NUT,PLAIN,HEX.:4-40 X 0.188 INCH,BRS						73743	2X12161-402	
										- * - - -			
-53	131-0963-00			2	CONTACT,ELEC :GROUNDING						80009	131-0963-00	
-54	354-0391-00			2	RING,RETAINING:0.395"FREE ID X 0.025" STL						97464	3100-43-CD	
-55	401-0081-00			1	BEARING,CAM SW:FRONT						80009	401-0081-00	
-56	214-1139-02			1	SPRING,FLAT:GREEN COLORED						80009	214-1139-02	
	214-1139-03			1	SPRING,FLAT:RED COLORED						80009	214-1139-03	
-57	214-1127-00			4	ROLLER, DETENT: 0.125 DIA X 0.125 INCH L						80009	214-1127-00	
-58	105-0361-00			1	ACTUATOR,CAM SW:FRONT						80009	105-0361-00	
-59	401-0115-00			1	BEARING, CAM SW:CENTER						80009	401-0115-00	
-60	105-0362-00			1	ACTUATOR, CAM SW:REAR						80009	105-0362-00	
-61	401-0081-04			1	BEARING,CAM SW:W/INSERT						80009	401-0081-04	
-62	105-0410-00			1	STOP,ROT.SHAFT:CAM SWITCH						80009	105-0410-00	
-63	210-0406-00			5	NUT,PLAIN,HEX.:4-40 X 0.188 INCH,BRS						73743	2X12161-402	
										(ATTACHING PARTS)			
-64	211-0116-00			6	SCR,ASSEM WSHR:4-40 X 0.312 INCH,PNH BRS						83385	OBD	
										- * - - -			
-65	131-0604-00			36	CONTACT, ELEC:0.025 SQ X 0.365 INCH LONG						80009	131-0604-00	
-66	-----			1	RESISTOR,VAR: (SEE R1070 EPL)								
										(ATTACHING PARTS)			
-67	361-0515-00			1	SPACER, SWITCH: PLASTIC						80009	361-0515-00	
										- * - - -			
-68	376-0039-00			1	ADPT,SHAFT,CPLG:0.128 AND 0.082"DIA SHAFT						80009	376-0039-00	
	213-0075-00			2	SETSCREW:4-40 X 0.094 INCH, HEX SOC STL						70276	OBD	
-69	136-0252-04	B010100	B179999	21	CONTACT, ELEC:0.188 INCH LONG						22526	75060	
	136-0252-04	B180000		24	CONTACT, ELEC:0.188 INCH LONG						22526	75060	
-70	131-0566-00	XB010100	B010315X	1	LINK, TERM. CONNE:0.086 DIA X 2.375 INCH L						0000C	L-2007-1	
-71	131-1261-00			30	CONTACT, ELEC: F-SHAPED						00779	1-380953-0	
-72	388-3283-00	B010100	B010315X	1	CIRCUIT BOARD:						80009	388-3283-00	
-73	131-0158-00	B010100	B010315X	4	TERMINAL,FEEDTH:						98291	FTSML19L1	
-74	337-1799-00	B010100	B010315	1	SHIELD,ELCTLT:0.70 X 1.5 INCHES						80009	337-1799-00	
	337-0896-00	B010316		1	SHIELD,ELCTLT:0.563 X 1.8 INCH						80009	337-0896-00	
-75	260-1422-00			1	SWITCH,PUSH:						80009	260-1422-00	
-76	361-0411-00			4	SPACER, PUSH SW:0.13 W X 0.375 INCH L, PLSTC						71590	J-65285-00	
-77	384-1068-00			1	EXTENSION SHAFT:8.0 INCH LONG						80009	384-1068-00	
-78	352-0331-00			2	LAMPHOLDER:						80009	352-0331-00	
-79	260-1423-00			1	SWITCH,PUSH:						71590	2KBC040000-593	
-80	361-0385-00			4	SPACER, PB SW:0.164 INCH LONG						80009	361-0385-00	
	-----			1	SWITCH,PUSH:MICRO(SEE S1099 EPL)								
										(ATTACHING PARTS)			
	352-0379-00	XB180000		1	HOLDER, MICRO SW: PLASTIC						80009	352-0379-00	
	210-0586-00	B180000		1	NUT, PLAIN, EXT W:4-40 X 0.25 INCH, STL						78189	OBD	
										- * - - -			
										(ATTACHING PARTS)			
-81	211-0116-00			1	SCR, ASSEM WSHR:4-40 X 0.312 INCH, PNH BRS						83385	OBD	
										- * - - -			
-82	384-1136-00			3	EXTENSION SHAFT:0.95 INCH LONG						80009	384-1136-00	
-83	384-1101-00			4	EXTENSION SHAFT:4.14 INCH LONG						80009	384-1101-00	

Mechanical Parts List-475

FIGURE 3 RIGHT SIDE (CONT)

Fig. & Index No.	Tektronix Part No.	Serial / Model No. Eff	Dscont	Qty	1	2	3	4	5	Name & Description	Mfr Code	Mfr Part Number
3-84	-	-----		1						CKT BOARD ASSY :VERT OUTPUT (SEE A5 EPL)		
-85	-----	-----		1						MICROCIRCUIT: CHAS MT (SEE U470 EPL)		
-86	407-1201-00			1						. BRACKET ,MICROCKT : GROUNDING	80009	407-1201-00
-87	131-0608-00			3						. CONTACT, ELEC:0.365 INCH LONG	22526	47357
-88	136-0252-04			34						. CONTACT, ELEC:0.188 INCH LONG (ATTACHING PARTS)	22526	75060
-89	211-0207-00			2						SCR, ASSEM WSHR:4-40 X 0.312 INCH, PNH STL	83385	NOTE
-90	220-0456-00			1						NUT, PLAIN, HEX. :6-32 X 0.25 INCH, STL	73743	9038
-91	210-1092-00			1						WASHER, FLAT:0.147 ID X 0.312" OD, BRS	12327	OBD
-92	361-0008-00			3						SPACER, SLEEVE:0.11 ID X 0.25 OD X 0.28"H	80009	361-0008-00
										- - - * - - -		

Mechanical Parts List-475

FIGURE 4 LEFT SIDE & BOTTOM

Fig. & Index No.	Tektronix Part No.	Serial/Model No. Eff	Dscnt	Qty	1 2 3 4 5	Name & Description	Mfr	
							Code	Mfr Part Number
4-	672-0045-00	B010100	B208099	1		CKT BOARD ASSY : ATTENUATOR	80009	672-0045-00
	672-0045-01	B208100		1		CKT BOARD ASSY:ATTENUATOR	80009	672-0045-01
-1	-----	-----		2		. CKT BOARD ASSY:ATTEN CH1/CH2 (SEE A1,A2 EPL)		
-2	200-1439-00			1		. . COVER,CAHSSIS :ATTENUATOR (ATTACHING PARTS)	80009	200-1439-00
-3	213-0176-00			1		. . SCR,TPG,THD FOR:2-32 X 0.156 INCH,PNH STL	83385	OBD
-4	210-0938-00			1		. . WASHER, FLAT: 0.109 ID X 0.25 INCH OD, STL	75497	AN960-3
-5	211-0008-00			4		. . SCREW, MACHINE:4-40 X 0.25 INCH, PNH STL	83385	OBD
-6	210-0994-00	B010100	B099999	4		. . WASHER, FLAT:0.125 ID X 0.25" OD, STL	83385	OBD
	210-0851-00	B100000		4		. . WASHER, FLAT:0.119 ID X 0.375 INCH OD	12327	OBD
-7	441-1058-00			1		. . CHAS,ELEC EQUIP:ATTENUATOR (ATTACHING PARTS)	80009	441-1058-00
-8	211-0001-00			2		. . SCREW, MACHINE:2-56 X 0.25 INCH, PNH STL	83385	OBD
-9	210-0053-00			2		. . WASHER,LOCK:INTL,0.092 ID X 0.175"OD,STL	83385	OBD
-10	210-0938-00			2		. . WASHER,FLAT:0.109 ID X 0.25 INCH OD,STL	75497	AN960-3
-11	210-0405-00			2		. . NUT, PLAIN, HEX. :2-56 X 0.188 INCH, BRS	73743	2X12157-402
-12	129-0299-00			4		. . POST,ELEC-MECH:HEX,0.333 INCH LONG	80009	129-0299-00
-13	210-0004-00			4		. . WASHER,LOCK:INTL,0.12 ID X 0.26"OD,STL	78189	1204 -00-00 -0541C
-14	131-0679-02			1		. . CONNECTOR,RCPT, :BNC W/HARDWARE (ATTACHING PARTS)	24931	28JRI68-1
-15	220-0569-00	B010100	B144499	1		. . NUT, PLAIN, KNURL: 0.50-28 X 0.235 INCH BRS	80009	220-0569-00
	220-0695-00	B144500		1		. . NUT, PLAIN, DODEC:0.500-28 X 0.090 INCH, BRS	73743	OBD
-16	361-0424-00	B010100	B208099X	1		. . SPACER,RING:0.515 ID X 0.625 OD X 0.85"THK	80009	361-0424-00
	210-0845-00	XB208100		1		. . WASHER, FLAT:0.50 ID X 0.625 INCH OD	83385	OBD
	210-1039-00	XB208100		1		. . WASHER, LOCK: INT,0.521 ID X 0.625 INCH OD	24931	OBD
-17	105-0243-00	B010100	B029999	1		. . ACTUATOR,SWI TCH:	80009	105-0243-00
	105-0243-01	B030000	B220279	1		. . ACTUATOR , SWITCH: LEVER, AC-DC	80009	105-0243-01
	105-0243-00	B220280		1		. . ACTUATOR , SWITCH : LEVER, AC-DC (ATTACHING PARTS)	80009	105-0243-00
-18	213-0214-00			1		. . SCREW,CAP SCH:2-56 X 0.375"HEX HD STL	70278	OBD
-19	131-1314-00	XB300000	B220279X	1		. . CONTACT,ELEC :GROUNDING	91260	OBD
	131-0963-00			2		. . CONTACT , ELEC : GROUNDING	80009	131-0963-00
-20	354-0391-00	B010100	B208099	2		. . RING, RETAINING: 0.395"FREE ID X 0.025" STL	97464	31 00-43-CD
	354-0390-00	B208100		1		. . RING,RETAINING:0.385 FREE ID X 0.025,STL	79136	#5100-37MD
	354-0443-00	B208100		1		. . RING,RETAINING:0.328 FREE ID X 0.448 OD	97464	200-37
-21	210-0406-00			10		. . NUT,PLAIN,HEX. :4-40 X 0.188 INCH,BRS	73743	2X12161-402
-22	401-0081-02	B010100	B208099	1		. . BEARING,CAM SW:FRONT	80009	401-0081-02
	401-0180-00	B208100		1		. . BEARING,CAM SW:FRONT (ATTACHING PARTS)	80009	401-0180-00
-23	211-0097-00			2		. . SCREW,MACHINE:4-40 X 0.312 INCH,PNH STL	83385	OBD
-24	210-0004-00			2		. . WASHER, LOCK: INTL, 0.12 ID X 0.26"OD, STL	78189	1204 -00-00-0541C
-25	214-1127-00	B010100	B028099	4		. . ROLLER, DETENT:0.125 DIA X 0.125 INCH L	80009	214-1127-00
	214-1752-00	B208100		4		. . ROLLER, DETENT:0.125 DIA X 0.16 INCH L	80009	214-1752-00
-26	214-1139-03					. . SPRING, FLAT: RED COLORED	80009	214-1139-03
-27	105-0282-00	B010100	B208099	1		. . ACTUATOR, CAM SW: FRONT W/SHAFT	80009	105-0282-00
	105-0282-01	B208100		1		. . ACTUATOR, CAM SW: FRONT	80009	105-0282-01
	384-0878-00	XB208100		1		. . SHAFT,CAM SW:VOLTS/DIV FRONT,W/DETENT	80009	384-0878-00
-28	401-0115-00	B010100	B208099	1		. . BEARING,CAM SW:CENTER	80009	401-0115-00
	401-0178-00	B208100		1		. . BEARING,CAM SW:CENTER	80009	401-0178-00
	210-1189-00	XB220280		1		. . WASHER, FLAT:0.195 ID X 0.367 INCH OD, BRS	51316	OBD
-29	214-2043-00	XB220280		1		. . SPRING, HLCPS:CONICAL,0.20 INCH LONG	80009	214-2043-00
	105-0343-00	B010100	B208099	1		. . ACTUATOR,CAM SW:REAR,W/SHAFT	80009	105-0343-00
	105-0343-01	B208100		1		. . ACTUATOR,CAM SW:REAR	80009	105-0343-01
-30	384-0880-00	XB208100		1		. . SHAFT, CAM SW: REAR, W/DRIVER	80009	384-0880-00
	401-0081-00	B010100	B208099	1		. . BEARING,CAM SW:REAR	80009	401-0081-00
-31	401-0180-00	B208100		1		. . BEARING,CAM SW:REAR	80009	401-0180-00
	136-0252-01			36		. . CONTACT, ELEC:0.178 INCH LONG	00779	1-332095-2
-32	136-0333-00			2		. . CONTACT, ELEC:0.138 INCH LONG	00779	1-331677-4
	337-1406-00			1		. . SHLD, ELECTRICAL: CAM CONTACTS	80009	337-1406-00
-33	131-1030-00			10		. . CONTACT ASSY,EL:CAM SWITCH,BOTTOM	80009	131-1030-00
	131-1031-00			10		. . CONTACT ASSY,EL:CAM SWITCH, TOP (ATTACHING PARTS FOR EACH)	80009	131-1031-00
-34	211-0116-00			6		. SCR, ASSEM WSHR:4-40 X 0.312 INCH, PNH BRS	83385	OBD

Mechanical Parts List-475

FIGURE 4 LEFT SIDE & BOTTOM (CONT)

Fig. & Index No.	Tektronix Part No.	Serial/Model No. Eff	Dscnt	Qty	1 2 3 4 5	Name & Description	Mfr		
							Code	Mfr	Part Number
4-35	-----			1		CKT BOARD ASSY:GAIN SWITCH (SEE A4 EPL)			
-36	131-0608-00			29		CONTACT, ELEC:0.365 INCH LONG	22526	47357	
-37	131-0589-00			6		CONTACT, ELEC:0.46 INCH LONG	22526	47350	
-38	-----			1		SW, PUSH BUTTON:VERT MODE (SEE S300 EPL)			
-39	361-0411-00			4		SPACER, PUSH SW:0.13 W X 0.375 INCH L, PLSTC	71590	J-65285-00	
-40	352-0331-00			2		LAMPHOLDER:	80009	352-0331-00	
-41	131-1031-00			10		CONTACT ASSY, EL: CAM SWITCH, TOP	80009	131-1031-00	
-42	136-0252-04			12		CONTACT, ELEC:0.188 INCH LONG	22526	75060	
-43	-----			2		RESISTOR,VAR:(SEE R128, R228 EPL)			
-44	361-0515-00			2		SPACER, SWITCH:PLASTIC (ATTACHING PARTS)	80009	361-0515-00	
-45	213-0277-00			6		SCR,TPG,THD FOR:2-56 X 0.312 INCH,PNH STL	83385	NOTE	
-46	210-0053-00			6		WASHER, LOCK: INTL,0.092 ID X 0.175 " OD, STL	83385	OBD	
-47	210-1134-00			6		WASHER, FLAT :0.09 ID X 0.25 INCH OD - - - * - - -	12327	OBD	
-48	376-0051-00	B010100	B143499	2		CPLG, SHAFT ,FLEX :FOR 0.125 INCH DIA SHAFTS	80009	376-0051-00	
	376-0051-01	B143500	B208099	2		CPLG, SHAFT ,FLEX:FOR 0.125 INCH DIA SHAFTS	80009	376-0051-01	
	376-0051-00	B208100		2		CPLG, SHAFT ,FLEX: FOR 0.125 INCH DIA SHAFTS	80009	376-0051-00	
	213-0048-00			4		SETSCREW:4-40 X 0.125 INCH, HEX SOC STL	74445	OBD	
-49	337-1418-01			2		SHLD, ELECTRICAL: BOARD STIFFENERS	80009	337-1418-01	
-50	384-1178-00			2		EXTENSION, SHAFT:6.1 INCHES LONG (ATTACHING PARTS)			
-51	211-0207-00			2		SC R, ASSEM WSHR: 4-40 X 0.312 INCH, PNH STL - - - * - - -	83385	NOTE	
-52	384-1129-00			5		EXTENSION SHAFT: 5.607 INCH LONG	80009	384-1129-00	
-53	-----			1		CKT BOARD ASSY:VERTICAL PREAMP (SEE A3 EPL)			
	105-0421-00			1		ACTUATOR , SWITCH: MOMENTARY	80009	105-0421-00	
-54	105-0420-00			1		ACTUATOR,SWITCH :	80009	105-0420-00	
-55	214-1779-00			1		SPRING, HLCPS:0.156 OD X 0.844 INCH LONG	80009	214-1779-00	
-56	351-0359-00			1		GUIDE,SW SLIDE:	80009	351-0359-00	
	105-0423-00	B010100	B099999	1		ACTUATOR,SWITCH:BANDWIDTH LIMIT	80009	105-0423-00	
	263-1019-00	B100000		1		ACTUATOR ASSY:SLIDE SWITCH--BANDWIDTH	80009	263-1019-00	
	213-0048-00			1		SETSCREW:4-40 X 0.125 INCH, HEX SOC STL	74445	OBD	
-57	376-0146-00			1		CPLG, SHAFT ,RGD:FOR 0.125 INCH DIA SHAFT	80009	376-0146-00	
-58	105-0422-00	B010100	B099999	1		ACTUATOR,SWITCH :	80009	105-0422-00	
	105-0517-00	B100000		1		ACTUATOR, SL SW:	80009	105-0517-00	
-59	351-035 5-00			1		GUIDE,SW SLIDE:	80009	351-0355-00	
-60	214-1126-00			2		SPRING,FLAT:GOLD COLORED	80009	214-1126-00	
-61	214-1127-00			2		ROLLER, DETENT:0.125 DIA X 0.125 INCH L	80009	214-1127-00	
-62	260-1208-00			1		SWITCH ,PUSH : DPDT	71590	2KAB010000-359	
-63	361-0411-00			2		SPACER, PUSH SW: 0.13 W X 0.375 INCH L, PLSTC	71590	J-65285-00	
-64	131-1003-00			8		CONNECTOR BODY, :CKT BD MT,3 PRONG	80009	131-1003-00	
-65	131-0158-00			2		TERMINAL ,FEEDTH :	98291	FTSM19L1	
-66	136-0269-00			3		SOCKET, PLUG-IN:14 PIN DUAL INLINE	71785	133-59-02-073	
-67	136-0252-04	B010100	B099999	139		CONTACT, ELEC:0.188 INCH LONG	22526	75060	
	136-0252-04	B100000		138		CONTACT, ELEC:0.188 INCH LONG	22526	75060	
-68	214-0579-00			2		TERM.,TEST PT:0.40 INCH LONG	80009	214-0579-00	
-69	131-0608-00			1		CONTACT, ELEC:0.365 INCH LONG	22526	47357	
-70	131-1031-00	B010100	B099999	7		CONTACT ASSY, EL: CAM SWITCH, TOP	80009	131-1031-00	
	131-1031-00	B100000		9		CONTACT ASSY, EL: CAM SWITCH, TOP	80009	131-1031-00	
-71	131-1030-00	B010100	B099999	6		CONTACT ASSY,EL:CAM SWITCH,BOTTOM	80009	131-1030-00	
	131-1030-00	B100000		8		CONTACT ASSY, EL: CAM SWITCH, BOTTOM	80009	131-1030-00	
-72	210-0779-00	B010100	B099999	7		RIVET, TUBULAR: 0.051 OD X 0.115 INCH LONG	42838	RA-29952715	
	210-0779-00	B100000		9		RIVET, TUBULAR:0.051 OD X 0.115 INCH LONG	42838	RA-29952715	
-73	214-1799-00			1		HEAT SINK, ELEC:TRANSISTOR	05820	OBD	
-74	214-1813-00			2		HEAT SINK, ELEC:TRANSISTOR	05820	OBD	
-75	-----			2		RESISTOR,VAR: (SEE R185, R285 EPL)			
	361-0607-00	XB185700		2		SPACER,VAR RES:PLASTIC (ATTACHING PARTS)	80009	361-0607-00	
-76	211-0116-00			4		SCR, ASSEM WSHR:4-40 X 0.312 INCH, PNH BRS	83385	OBD	
-77	211-0008-00			1		SCREW,MACHINE:4-40 X 0.25 INCH,PNH STL	83385	OBD	
-78	210-0054-00			1		WASHER, LOCK: SPLIT,0.118 ID X 0.212"OD STL	83385	OBD	
-79	210-0994-00			1		WASHER, FLAT:0.125 ID X 0.25" OD, STL	83385	OBD	
-80	214-0276-00			1		SPRING,GRND:	80009	214-0276-00	
-81	129-0413-00			1		POST, ELEC-MECH:0.538 INCH L	80009	129-0413-00	
-82	129-0385-00			2		SPACER, POST:0.250 HEX X 1.77 INCHES LONG	80009	129-0385-00	
	131-1428-00	XB100000		3		CONTACT, ELEC:GROUNDING CLIP	80009	131-1428-00	
	211-0012-00	XB100000		2		SCREW, MACHINE:4-40 X 0.375 INCH, PNH STL	83385	OBD	
	211-0116-00	XB100000		1		SCR, ASSEM WSHR:4-40 X 0.312 INCH, PNH BRS - - - * - - -	83385	OBD	

FIGURE 4 LEFT SIDE & BOTTOM (CONT)

Fig. & Index No.	Tektronix Part No.	Serial/Model No. Eff	Dscnt	Qty	1	2	3	4	5	Name & Description	Mfr	
											Code	Mfr Part Number
4-	337-1810-00			1						SHLD,ELECTRICAL:VERTICAL PREAMP (ATTACHING PARTS)	80009	337-1810-00
	213-0088-00			6						SCR,TPG,THD CTG:4-24 X0.25 INCH,PNH STL	83385	OBD
	210-0994-00	XB143500		6						WASHER, FLAT: 0.125 ID X 0.25" OD, STL - - - * - - -	83385	OBD
-83	348-0253-00			1						GROMMET,PLASTIC:1.24 X 0.739 X 0.108" OA	80009	348-0253-00
-84	407-1127-00			1						BRACKET,CKT BD:REAR (ATTACHING PARTS)	80009	407-1127-00
-85	210-0586-00			2						NUT,PLAIN,EXT W:4-40 X 0.25 INCH,STL - - - * - - -	78189	OBD
-86	376-0051-00	B010100	B143499	2						CPLG, SHAFT, FLEX:FOR 0.125 INCH DIA SHAFTS	80009	376-0051-00
	376-0051-01	B143500		2						CPLG,SHAFT,FLEX:FOR 0.125 INCH DIA SHAFTS	80009	376-0051-01
	213-0048-00			4						. SETSCREW:4-40 X 0.125 INCH, HEX SOC STL	74445	OBD
-87	384-1175-00			2						EXTENSION ,SHAFT:5.7 INCHES LONG	80009	384-1175-00
-88	384-1100-00			1						EXTENSION SHAFT:0.13 SQ X 6.215" LONG,PLSTC	80009	384-1100-00
-89	-----	-----		1						RES.,VAR, FILM: (SEE R1303A, B,C, D EPL) (ATTACHING PARTS)		
-90	211-0507-00			2						SCREW,MACHINE:6-32 X 0.312 INCH,PNH STL	83385	OBD
-91	210-0457-00			2						NUT, PLAIN ,EXT W:6-32 X 0.312 INCH, STL	83385	OBD
-92	210-0202-00			1						TERMINAL, LUG:SE #6 - - - * - - -	78189	2104-06-00-2520N
-93	407-1236-00			1						BRACKET,RES: (ATTACHING PARTS)	80009	407-1236-00
	210-0586-00			2						NUT, PLAIN, EXT W:4-40 X 0.25 INCH, STL - - - * - - -	78189	OBD
-94	337-1711-00			1						SHIELD,ELEC:HIGH VOLTAGE (ATTACHING PARTS)	80009	337-1711-00
-95	211-0008-00			4						SCREW,MACHINE:4-40 X 0.25 INCH,PNH STL - - - * - - -	83385	OBD
-96	342-0164-00			1						INSULATOR,FILM :HV,3.65 X 4.7 INCHES	80009	342-0164-00
-97	342-0159-00			1						INSULATOR ,FILM:5.10 X 12.4 INCH	80009	342-0159-00
-98	129-0413-00			4						POST, ELEC-MECH: 0.538 INCH L (ATTACHING PARTS FOR EACH)	80009	129-0413-00
-99	210-0994-00			1						WASHER, FLAT: 0.125 "D X 0.25" OD, STL - - - * - - -	83385	OBD
-100	-----	-----		1						TRANSISTOR:CHAS MTG(SEE Q1456 EPL) (ATTACHING PARTS)		
-101	211-0062-00			1						SCREW,MACHINE:2-56 X 0.312 INCH,RDH STL	83385	OBD
-102	210-1156-00			1						WASHER,NONMETAL:0.09 ID X 0.121" OD,NYLON	80009	210-1156-00
-103	342-0166-00			1						INSULATOR , PLATE: TRANS ISTOR	80009	342-0166-00
-104	214-1845-00			1						HEAT SINK, ELEC:TRANSISTOR - - - * - - -	80009	214-1845-00
-105	-----	-----		1						TRANSISTOR:CHAS MTG(SEE Q1482 EPL) (ATTACHING PARTS)		
-106	211-0180-00	B010100	B174789	1						SCR, ASSEM WSHR:2-56 X 0.25 INCH, PNH BRS	83385	OBD
	211-0182-00	B174790		1						SCR,ASSEM,WSHR:2-56 X 0.312 INCH,PNH STL	12360	OBD
-107	210-1156-00			1						WASHER, NONMETAL:0.09 ID X 0.121" OD, NYLON	80009	210-1156-00
-108	342-0166-00			1						INSULATOR , PLATE: TRANS ISTOR - - - * - - -	80009	342-0166-00
-109	-----	-----		1						CKT BOARD ASSY:INTERFACE(SEE A9 EPL)		
-110	131-1003-00			4						CONNECTOR BODY,:CKT BD MT,3 PRONG	80009	131-1003-00
-111	131-0566-00	B010100	B079999	12						. LINK, TERM. CONNE:0.086 DIA X 2.375 INCH L	0000C	L-2007-1
	131-0566-00	B080000		7						. LINK,TERM.CONNE:0.086 DIA X 2.375 INCH L	0000C	L-2007-1
-112	136-0252-04			267						CONTACT, ELEC:0.188 INCH LONG	22526	75060
-113	200-0945-01	B010100	B079999X	1						. COVER,HALF XSTR:FOR DUAL TO-18 CS,2-56 THD	80009	200-0945-01
-114	200-0945-00	B010100	B079999X	1						COVER,HALF XSTR:FOR DUAL TO-18 CASE (ATTACHING PARTS)	80009	200-0945-00
-115	211-0062-00	B010100	B079999X	1						SCREW, MACHINE:2-56 X 0.312 INCH, RDH STL - - - * - - -	83385	OBD
-116	210-0966-00			2						WASHER, NONMETAL:0.312 ID X 0.875" OD, RBR	80009	210-0966-00
-117	136-0499-12			1						CONNECTOR,RCPT, :12 CONTACT	00779	4-380949-2
-118	136-0499-10			2						. CONNECTOR,RCPT, :10 CONTACT	00779	4-380949-0
-119	344-0154-00			2						CLIP,ELECTRICAL:FOR 0.25 INCH DIA FUSE	80009	344-0154-00
-120	214-0579-00	B010100	B079999	19						. TERM.,TEST PT:0.40 INCH LONG	80009	214-0579-00
	214-0579-00	B080000		26						. TERM.,TEST PT:0.40 INCH LONG	80009	214-0579-00

Mechanical Parts List-475

FIGURE 2 LEFT SIDE & BOTTOM(cont)

Fig. & Index No.	Tektronix Part No.	Serial/Model No. Eff	Dscont	Qty	2 3 4 5	Name & Description	Mfr Code	Mfr Part Number
4-121	131-06 08-00	B010100	B079999	24		CONTACT, ELEC:0.365 INCH LONG	22526	47357
	131-0608-00	B080000		25		CONTACT, ELEC:0.365 INCH LONG	22526	47357
-122	131-1261-00			24		CONTACT, ELEC :F-SHAPED	00779	1-380953-0
-123	214-1291-00			1		HEAT SINK, ELEC:XSTR,0.72 OD X 0.375"H	05820	OBD
-124	124-0120-00	B010100	B079999	1		TERMINAL BOARD:4 NOTCH	80009	124-0120-00
	124-0093-00	B080000		1		TERMINAL BOARD:5 NOTCH	80009	124-0093-00
-125	355-0046-00			2		MOUNT, TERM. BD:0.577 INCH H		355-0046-00
-126	124-0092-00			1		TERMINAL BOARD:3 NOTCH	80009	124-0092-00
	355-0046-00			1		MOUNT, TERM. BD:0.577 INCH H	80009	355-0046-00
-127	124-0118-00	B010100	B079999	3		TERMINAL BOARD:1 NOTCH		124-0118-00
	124-0118-00	B080000	B164769	2		TERMINAL BOARD:1 NOTCH		124-0118-00
	124-0118-00	B164770		1		TERMINAL BOARD:1 NOTCH	80009	124-0118-00
	355-0046-00			1		MOUNT, TERM. BD:0.577 INCH H	80009	355-0046-00
	131-0382-00	B164770		1		TERMINAL,STUD :	71279	4822-1-0516
						(ATTACHING PARTS)		
	210-0586-00	B164770		1		NUT, PLAIN, EXT W:4-40 X 0.25 INCH, STL	78189	OBD
						- - * - - -		
-128	358-0214-00	B010100	B079999	12		INSULATOR, BSHG:0.25 DIA X 0.188 INCH L	80009	358-0214-00
	358-0214-00	B080000		11		INSULATOR,BSHG:0.25 DIA X 0.188 INCH L	80009	358-0214-00
-129				1		RESISTOR, VAR:FOCUS (SEE R1380 EPL)		
						(ATTACHING PARTS)		
-130	210-0583-00			1		NUT, PLAIN, HEX. :0.25-32 X 0.312 INCH, BRS	73743	2X20319-402
	210-0940-00			1		WASHER, FLAT:0.25 ID X 0.375 INCH OD, STL	79807	OBD
-131	210-0046-00			1		WASHER, LOCK: INTL,0.26 ID X 0.40" OD, STL	78189	1214 -05-00 -0541C
						* - - -		
-132	386-2433-00			1		SUPPORT,VAR RES:CIRCUIT BOARD MOUNTING	80009	386-2433-00
-133	-----			1		SEMICOND DEVICE:(SEE U1321 EPL)		
						(ATTACHING PARTS)		
-134	220-0661-00	B010100	B229364	2		NUT, SLFLKG, HEX:8-32 X 0.344 X 0.215", NYLON	23050	OBD
	220-0736-00	B229365		2		NUT, PL, EXT WSHR:8-32 X 0.343 X 0.437", NYL	23050	OBD
						* - - -		
-135	-----			1		SW,PUSH BUTTON:X10 MAG(SEE S1110 EPL)		
-136	361-0384-00			2		SPACER, PB SW: 0.133 INCH LONG	80009	361-0384-00
-137	260-1310-01			1		SW,PUSH BUTTON:BEAM FINDER(SEE S450 EPL)		
-138	361-0385-00			2		SPACER, PB SW: 0.164 INCH LONG	80009	361-0385-00
-139	-----			4		RES. ,VAR:(SEE R1335, R1386, R1397, R1480 EPL)		
	361-0607-00	XB185700		4		SPACER, VAR RES. :PLASTIC	80009	361-0607-00
						(ATTACHING PARTS)		
-140	211-0207-00			7		SCR,ASSEM WSHR:4-40 X 0.312 INCH,PNH STL	83385	NOTE
	210-0261-00	XB030000		1		TERMINAL, LUG:0.270 INCH DIA, SE	91260	OBD
						- * - - -		
-141	343-0088-00			1		CLAMP, LOOP:0.062 INCH DIA	80009	343-0088-00
-142	384-1101-00			2		EXTENSION SHAFT:4.14 INCH LONG	80009	384-1101-00
-143	384-1175-00			1		EXTENSION, SHAFT:5.7 INCH LONG	80009	384-1175-00
-144	376-0029-00			2		CPLG, SHAFT, RGD:0.128 ID X 0.312 OD X 0.5"L	80009	376-0029-00
	213-0022-00			2		. SETSCREW: 4-40 X 0.188 INCH, HEX SOC STL	74445	OBD
-145	384-1179-00			1		EXTENSION SHAFT:9.312 INCH LONG	80009	384-1179-00
-146	384-1176-00			1		EXTENSION, SHAFT:1.45 INCHES LONG	80009	384-1176-00
-147	384-1172-00			1		EXTENSION, SHAFT:1.7 INCHES LONG	80009	384-1172-00
-148	384-1171-00			1		EXTENSION, SHAFT:1.05 INCHES LONG	80009	384-1171-00
-149	376-0051-00	B010100	B071259	3		CPLG, SHAFT, FLEX: FOR 0.125 INCH DIA SHAFTS	80009	376-0051-00
	376-0051-00	B071260		2		CPLG, SHAFT, FLEX: FOR 0.125 INCH DIA SHAFTS	80009	376-0051-00
	213-0022-00			4		SETSCREW:4-40 X 0.188 INCH,HEX SOC STL	74445	OBD
	376-0051-01	B071260		1		CPLG, SHAFT, FLEX: FOR 0.125 INCH DIA SHAFTS	80009	376-0051-01
	213-0048-00	B071260		4		SETSCREW:4-40 X 0.125 INCH,HEX SOC STL	74445	OBD
-150	179-1934-00			1		WIRING HARNESS:TRIGGER	80009	179-1934-00
-151	210-0774-00			5		EYELET, METALLIC: 0.152 OD X 0.245 INCH L,BRS	80009	210-0774-00
-152	21 0-0775-00			5		. EYELET, METALLIC: 0.126 OD X 0.23 INCH L,BRS	80009	210-0775-00
	179-1907-00			1		WIRING HARNESS:MAIN	80009	179-1907-00
-153	131-0707-00			2		. CONTACT,ELEC:0.48"L,22-26 AWG WIRE	22526	47439
-154	352-0171-00			2		HOLDER, TERM. CON:1 WIRE BLACK	80009	352-0171-00
	21 0-0774-00			10		EYELET, METALLIC:0.152 OD X 0.245 INCH L,BRS	80009	210-0774-00
	21 0-0775-00			10		EYELET, METALLIC:0.126 OD X 0.23 INCH L,BRS	80009	210-0775-00
	179-1906-00			1		WIRING HARNESS: PROBE POWER	80009	179-1906-00
	131-0707-00			8		CONTACT, ELEC:0.48"L,22-26 AWG WIRE	22526	47439
-155	352-0169-00			4		HOLDER, TERM. CON:2 WIRE BLACK	80009	352-0169-00

CABINET

Fig. & Index No.	Tektronix Part No.	Serial/Model No. Eff	No. Dscont	Qty	1 2 3 4 5	Name & Description	Mfr	
							Code	Mfr Part Number
5-1	437-0141-01			1		CAB. ,ELEC EQUIP:		437-0141-01
-2	348-0080-01			4		. BUMPER , PLASTIC: FOOT	80009	348-0080-01
-3	200-1412-00			1		COVER , SCOPE: FRONT	80009	200-1412-00
-4	200-0602-00			2		COVER, HINGE :	80009	200-0602-00
-5	367-0140-03			1		HANDLE,CARRY ING:	80009	367-0140-03
						(ATTACHING PARTS)		
-6	211-0512-00			4		SCREW, MACHINE:6-32 X 0.50" 100 DEG, FLH STL	83385	OBD
						- - - * - - -		
	334-1999-00			1		PL, IDENTIFICATI :		334-1999-00
-7	214-0516-00			2		SPRING, HLCPS:0.959 DIA X 1.250 INCH LONG	80009	214-0516-00
-8	214-0515-00	B010100	B143609	2		GEAR,HDL,INDEX :	80009	214-0515-00
	214-0515-02	B143610		2		GEAR,HDL,INDEX :		214-0515-02
-9	214-0513-00	B010100	B143609	2		HUB,HDL,INDEX :	80009	214-0513-00
	214-0513-04	B143610		2		HUB,HDL,INDEX :	80009	214-0513-04
						(ATTACHING PARTS FOR EACH)		
-10	210-0805-00	B010100	B099999	1		WASHER, FLAT:0.204 ID X 0.438 INCH OD, STL	12327	OBD
	210-1182-00	B100000		1		WSHR, SPR TNSN:0.218 ID X 0.69 INCH OD	80009	210-1182-00
-11	213-0139-00			1		SCR, CAP, HEX HD:10-24 X 0.375INCH LONG	14438	OBD
						- - - * - - -		

APPENDIX A REFERENCES

The following is a list of applicable references that are available to the operator and maintenance personnel of Oscilloscope OS-261/U.

DA Pam 310-4	Index of Technical Publications: Technical Manuals, Technical Bulletins, Supply Manuals (Types 7,8, and 9), Supply Bulletins, and Lubrications Orders.
DA Pam 310-7	US Army Index of Modification Work Orders.
SB 38-100	Preservation, Packaging, Packing and Marking Materials, Supplies, and Equipment Used by the Army.
SC 5180-91-CL-R07	Tool Kit, Electronic Equipment TK-105/G.
SM 11-4-5180-S05	Tool Equipment TE-50-B.
TB 43-0118	Field Instructions for Painting and Preserving Electronics Command Equipment Including Camouflage Pattern Painting of Electrical Equipment Shelters.
TM 38-750	The Army Maintenance Management System (TAMMS).
TM 740-90-1	Administrative Storage of Equipment.
TM 750-244-2	Procedures for Destruction of Electronics Materiel to Prevent Enemy Use (Electronics Command).
TM 11-6625-2735-24P	Organizational, Direct Support and General Support Maintenance Repair Parts and Special Tools List (Including Depot Maintenance Repair Parts and Special Tools)
Oscilloscope OS-261/U.	

APPENDIX D

MAINTENANCE ALLOCATION

Section I. INTRODUCTION

D-1. General.

This appendix provides a summary of the maintenance operations for OS-261/U. It authorizes categories of maintenance for specific maintenance functions on repairable items and components and the tools and equipment to perform each function. This appendix may be used as an aid in planning maintenance operations.

D-2. Maintenance Function.

Maintenance functions will be limited to and defined as follows:

a. Inspect. To determine the serviceability of an item by comparing its physical, mechanical, and/or electrical characteristics with established standards through examination.

b. Test. To verify serviceability and to detect incipient failure by measuring the mechanical or electrical characteristics of an item and comparing those characteristics with prescribed standards.

e. Service. Operations required periodically to keep an item in proper operating condition, i.e., to clean (decontaminate), to preserve, to drain, to paint, or to replenish fuel, lubricants, hydraulic fluids, or compressed air supplies.

d. Adjust. To maintain, within prescribed limits, by bringing into proper or exact position, or by setting the operating characteristics to the specified parameters.

e. Align. To adjust specified variable elements of an item to bring about optimum or desired performance.

f. Calibrate. To determine and cause corrections to be made or to be adjusted on instruments or test measuring and diagnostic equipments used in precision measurement. Consists of comparisons of two instruments, one of which is a certified standard of known accuracy, to detect and adjust any discrepancy in the accuracy of the instrument being compared.

g. Install. The act of emplacing, seating, or fixing into position an item, part, module (component or assembly) in a manner to allow the proper functioning of the equipment or system.

h. Replace. The act of substituting a serviceable like type part, subassembly, or module (component or assembly) for an unserviceable counterpart.

i. Repair. The application of maintenance services (inspect, test, service, adjust, align, calibrate, replace) or other maintenance actions (welding,

grinding, riveting, straightening, facing, remachining, or resurfacing) to restore serviceability to an item by correcting specific damage, fault, malfunction, or failure in a part, subassembly, module (component or assembly), end item, or system. This function does not include the trial and error replacement of running spare type items such as fuses, lamps, or electron tubes.

j. Overhaul. That maintenance effort (service/action) necessary to restore an item to a completely serviceable/operational condition as prescribed by maintenance standards (i.e., DMR) in appropriate technical publications. Overhaul is normally the highest degree of maintenance performed by the Army. Overhaul does not normally return an item to like new condition.

k. Rebuild. Consists of those services/actions necessary for the restoration of unserviceable equipment to a like new condition in accordance with original manufacturing standards. Rebuild is the highest degree of materiel maintenance applied to Army equipment. The rebuild operation includes the act of returning to zero those age measurements (hours, miles, etc.) considered in classifying Army equipments/components.

D-3. Column Entries.

a. Column 1, Group Number. Column 1 lists group numbers, the purpose of which is to identify components, assemblies, subassemblies, and modules with the next higher assembly.

b. Column 2, Component/Assembly. Column 2 contains the noun names of components, assemblies, subassemblies, and modules for which maintenance is authorized.

c. Column 3, Maintenance Functions. Column 3 lists the functions to be performed on the item listed in column 2. When items are listed without maintenance functions, it is solely for purpose of having the group numbers in the MAC and RPSTL coincide.

d. Column 4, Maintenance Category. Column 4 specifies, by the listing of a "worktime" figure in the appropriate subcolumn(s), the lowest level of maintenance authorized to perform the function listed in column 3. This figure represents the active time required to perform that maintenance function at the indicated category of maintenance. If the number or complexity of the tasks within the listed maintenance function vary at different maintenance

categories, appropriate "worktime" figures will be shown for each category. The number of task-hours specified by the "worktime" figure represents the average time required to restore an item (assembly, subassembly, component, module, end item or system) to a serviceable condition under typical field operating conditions. This time includes preparation time, troubleshooting time, and quality assurance/quality control time in addition to the time required to perform the specific tasks identified for the maintenance functions authorized in the maintenance allocation chart. Subcolumns of column 4 are as follows:

- C - Operator/Crew
- O- Organizational
- F - Direct Support
- H - General Support
- D - Depot

e. *Column 5, Tools, and Equipment.* Column 5 specifies by code, those common tool sets (not individual tools) and special tools, test, and support equipment required to perform the designated function.

f. *Column 6, Remarks.* Column 6 contains an alphabetic code which leads to the remark in section IV, Remarks, which is pertinent to the item opposite

the particular code.

D-4. Tool and Test Equipment Requirement (Sect. III).

a. *Tool or Test Equipment Reference Code.* The numbers in this column coincide with the numbers used in the tools and equipment column of the MAC. The numbers indicate the applicable tool or test equipment for the maintenance functions.

b. *Maintenance Category.* The codes in this column indicate the maintenance category allocated the tool or test equipment.

c. *Nomenclature.* This column lists the noun name and nomenclature of the tools and test equipment required to perform the maintenance functions.

d. *National/NATO Stock Number.* This column lists the National/NATO stock number followed by the Federal Supply Code for manufacturers (5-digit) in parentheses.

D-5. Remarks (Sect. IV).

a. *Reference Code.* This code refers to the appropriate item in section II, column 6.

b. *Remarks.* This column provides the required explanatory information necessary to clarify items appearing in section II.

SECTION II MAINTENANCE ALLOCATION CHART

FOR

OSCILLOSCOPE OS-261/U

(1) GROUP NUMBER	(2) COMPONENT/ASSEMBLY	(3) MAINTENANCE FUNCTION	(4) MAINTENANCE CATEGORY					(5) TOOLS AND EQPT.	(6) REMARKS
			C	O	F	H	D		
00	OSCILLOSCOPE OS-261/U	Inspect Test		0.1		1.0		1 thru 26	A
		Calibrate Repair Repair Overhaul		0.1		1.5 0.5	24.0	1 thru 26 23 1 thru 25	
01	ELECTRONIC COMPONENTS ASSEMBLY (MP179)	Inspect Test				0.1 0.5		23 8,9,13, 20,23,25, 26,27	
		Repair				0.5		23	
0101	CIRCUIT CARD ASSY (A4)	Inspect Test				0.1 0.5		23 23,25,26, 27	
		Replace Repair				0.2 0.5		23 23	
0102	CIRCUIT CARD ASSY (A1)	Inspect Test				0.1 0.5		23 8,9,13, 20,23	
		Replace Repair				0.2 0.5		23 23	
02	CIRCUIT CARD ASSY (A3)	Inspect Test				0.1 0.5		23 23,25,26, 27	
		Replace Repair				0.2 0.5		23 23	
03	CIRCUIT CARD ASSY (A5)	Inspect Test				0.1 0.5		23 1,2,4,5, 6,8,9,20, 23,27	
		Replace Repair				0.2 0.5		23 23	
04	CIRCUIT CARD ASSY (A6)	Inspect Test Replace Repair				0.1 0.5 0.2 0.5		23 23,26,27, 23 23	
05	CIRCUIT CARD ASSY (A7)	Inspect Test				0.1 0.5		23 2,9,11, 15,17,20, 23,24,27	
		Replace Repair				0.2 0.5		23 23	
06	CIRCUIT CARD ASSY (A8)	Inspect Test				0.1 0.5		23 1,2,3,5, 8,9,10, 11,15,17, 20,21,23, 24	
		Replace Repair				0.2 0.5		23 23	
07	CIRCUIT CARD ASSY (A9)	Inspect Test				0.1 0.5		23 7,20,23, 24,25,26	
		Replace Repair				0.2 0.5		23 23	

SECTION III. TOOL AND TEST EQUIPMENT REQUIREMENTS

FOR

OSCILLOSCOPE OS-261/U

TOOL OR TEST EQUIPMENT REF CODE	MAINTENANCE CATEGORY	NOMENCLATURE	NATIONAL/NATO STOCK NUMBER	TOOL NUMBER
1	H,D	ADAPTER, EQUIVALENT TO TEKTRONIX PART No. 017-0063-00	5935-00-765-5481	
2	H,D	AMPLITUDE CALIBRATOR, STANDARD, EQUIVALENT TO TEKTRONIX PART No. 067-0507-01	6625-00-192-0866	
3	H,D	ATTENUATOR, X2, BNC, EQUIVALENT TO TEKTRONIX PART No. 011-0069-01	5905-00-103-1875	
4	H,D	ATTENUATOR, X5, GR, OR EQUIVALENT TO TEKTRONIX PART No. 017-0079-00	5905-00-103-1876	
5	H,D	ATTENUATOR, X10, BNC, OR EQUIVALENT TO TEKTRONIX PART No. 011-0059-01	5985-00-050-1416	
6	H,D	ATTENUATOR, X10, GR, EQUIVALENT TO TEKTRONIX PART No. 017-0078-00	6625-00-638-5681	
7	H,D	AUTOTRANSFORMER, VARIABLE, EQUIVALENT TO GENERAL RADIO W10MT ^{3W} VARIAC AUTOTRANSFORMER		
8	H,D	CABLE, 2 EA, 50 OHMS, RG-58/U, 18 IN., EQUIVALENT TO TEKTRONIX PART No. 012-0076-00	6145-00-916-8025	
9	H,D	CABLE, 2 EA, 50 OHMS, RG-58/U, 42 IN., EQUIVALENT TO TEKTRONIX PART No. 012-0057-01	6625-00-498-4831	
10	H,D	CABLE, 50 OHMS, GR 874, EQUIVALENT TO TEKTRONIX PART No. 017-0502-00	5995-00-935-2562	
11	H,D	COUPLER, DUAL-INPUT, BNC, EQUIVALENT TO TEKTRONIX PART No. 067-0525-00	6625-00-759-0742	
12	H,D	GENERATOR, FAST-RISE HIGH-AMPLITUDE PULSE, EQUIVALENT TO TEKTRONIX TYPE 109	6625-00-939-7203	
13	H,D	GENERATOR, HIGH-FREQUENCY CONSTANT-AMPLITUDE SIGNAL, EQUIVALENT TO TEKTRONIX PART No. 067-0532-01	6625-00-192-0865	
14	H,D	GENERATOR, LOW-FREQUENCY SINE-WAVE, EQUIVALENT TO GENERAL RADIO 1310-A OSCILLATOR	6625-00-054-3476	
15	H,D	GENERATOR, MEDIUM-FREQUENCY CONSTANT-AMPLITUDE SIGNAL, EQUIVALENT TO TEKTRONIX TYPE 191	6625-00-957-0421	
16	H,D	GENERATOR, SQUARE-WAVE, EQUIVALENT TO TEKTRONIX TYPE 106	6625-00-455-7302	
17	H,D	GENERATOR, TIME-MARK, EQUIVALENT TO TEKTRONIX 2901	6625-00-483-2619	
18	H,D	INSERTION, SIGNAL, GR 874, EQUIVALENT TO TEKTRONIX PART No. 067-0676-00		
19	H,D	NORMALIZER, INPUT, EQUIVALENT TO TEKTRONIX PART No. 067-0538-00	6625-00-854-8045	
20	H,D	OSCILLOSCOPE, TEST, EQUIVALENT TO TEKTRONIX 454A	6625-00-167-9863	
21	H,D	SIGNAL PICKOFF, EQUIVALENT TO TEKTRONIX PART No. 017-0061-00		
22	H,D	T-CONNECTOR, BNC, EQUIVALENT TO TEKTRONIX PART No. 103-0030-00	5935-00-149-3561	
23	H,D	TOOL KIT, ELECTRONIC EQUIPMENT TK-100/G	5180-00-605-0079	
24	H,D	TERMINATION, 2 EA, EQUIVALENT TO TEKTRONIX PART No. 011-0049-01	5985-00-087-4954	
25	H,D	VOLTMETER, DC, (VOM), EQUIVALENT TO SIMPSON 262	6625-00-846-6583	
26	H,D	VOLTMETER, DC, PRECISION, EQUIVALENT TO FLUKE 825A	6625-00-707-3406	
27	H,D	POWER SUPPLY, EQUIVALENT TO LPD-422A-FM		

SECTION IV. REMARKS

REFERENCE CODE	REMARKS
A	Replace lamps and knobs.

DIAGRAMS AND CIRCUIT BOARD ILLUSTRATIONS

Symbols and Reference Designators

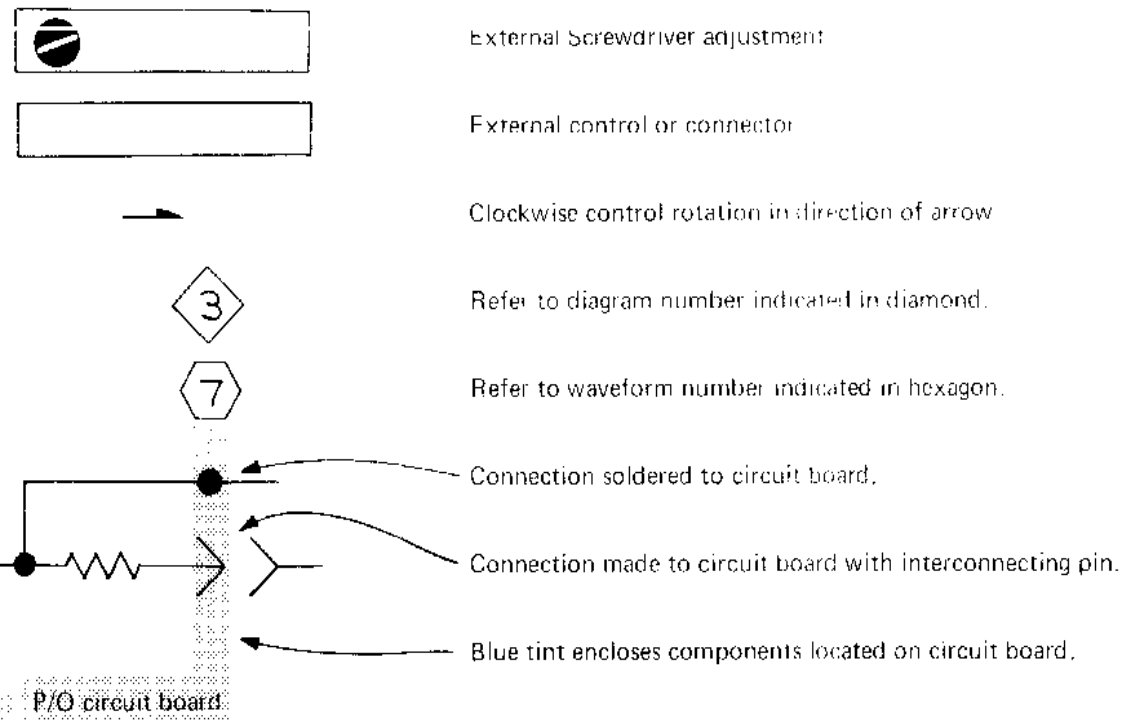
Electrical components shown on the diagrams are in the following units unless noted otherwise:

- Capacitors = Values one or greater are in picofarads (pF).
Values less than one are in microfarads (μF).
- Resistors = Ohms (Ω)

Symbols used on the diagrams are based on USA Standard Y32.2-1967.

Logic symbology is based on MIL-STD-806B in terms of positive logic. Logic symbols depict the logic function performed and may differ from the manufacturer's data.

The following special symbols are used on the diagrams:



The following prefix letters are used as reference designators to identify components or assemblies on the diagrams.

A Assembly, separable or repairable (circuit board, etc.)	LR Inductor/resistor combination
AT Attenuator, fixed or variable	M Meter
B Motor	O Transistor or silicon-controlled rectifier
BT Battery	P Connector, movable portion
C Capacitor, fixed or variable	R Resistor, fixed or variable
CR Diode, signal or rectifier	RT Thermistor
DL Delay line	S Switch
DS Indicating device (lamp)	T Transformer
F Fuse	TP Test point
FL Filter	U Assembly, inseparable or non-repairable (integrated circuit, etc.)
H Heat dissipating device (heat sink, heat radiator, etc.)	V Electron tube
HR Heater	VR Voltage regulator (zener diode, etc.)
J Connector, stationary portion	Y Crystal
K Relay	
L Inductor, fixed or variable	

Diagrams—475

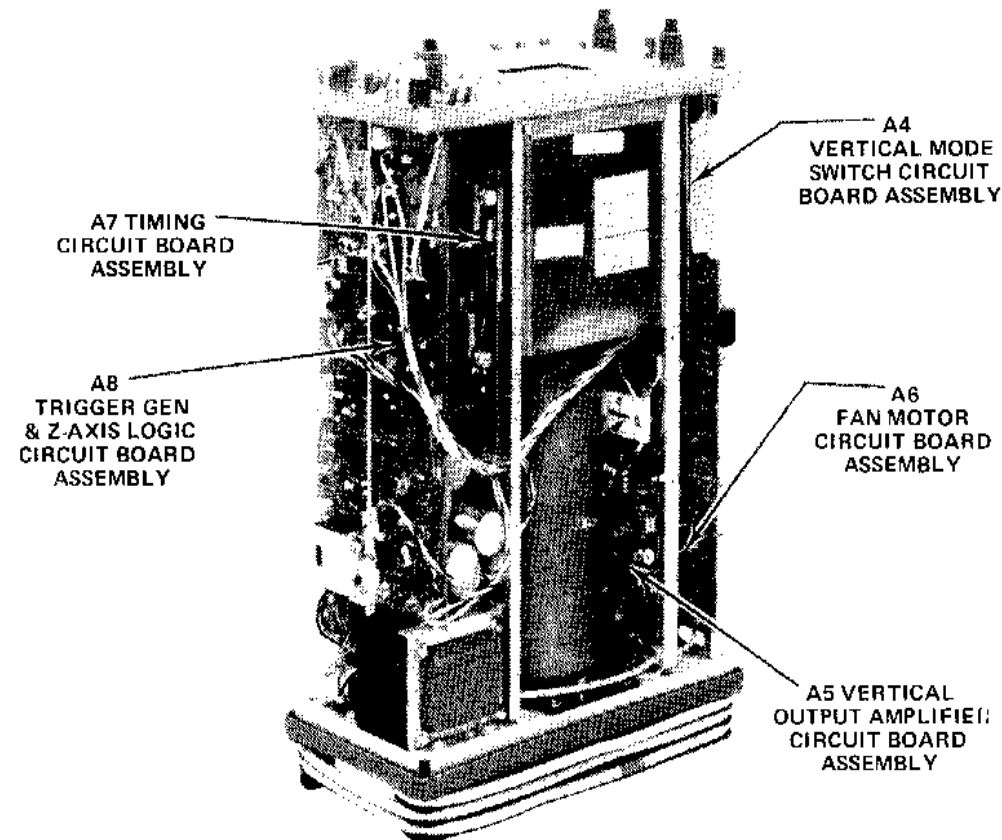
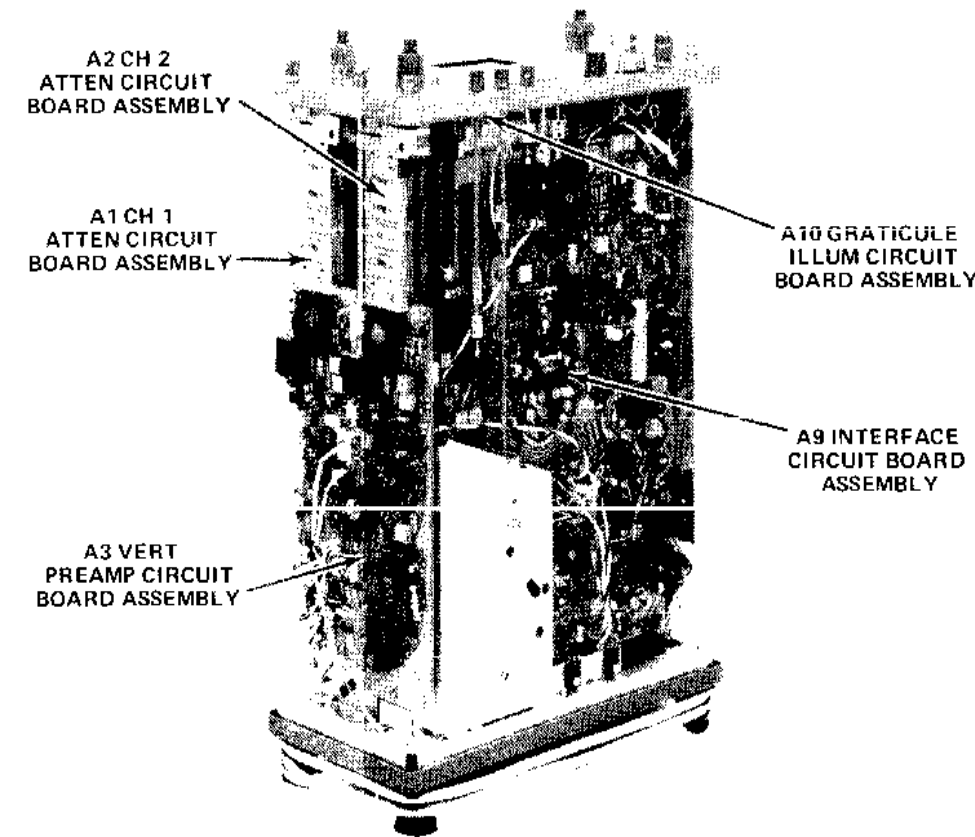


Fig. 7-1. Location of circuit boards in the 475 Oscilloscope.

Diagrams—475

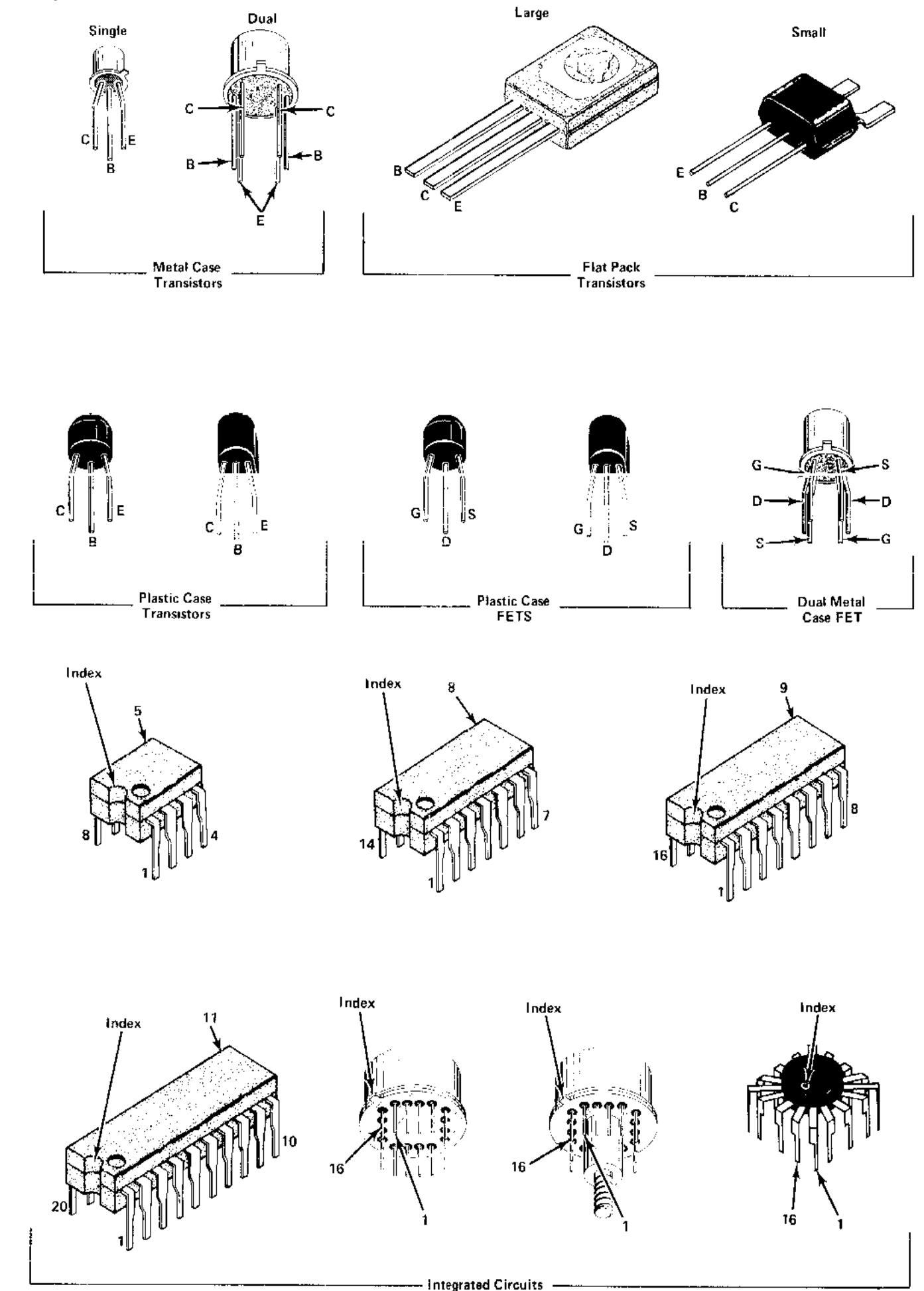
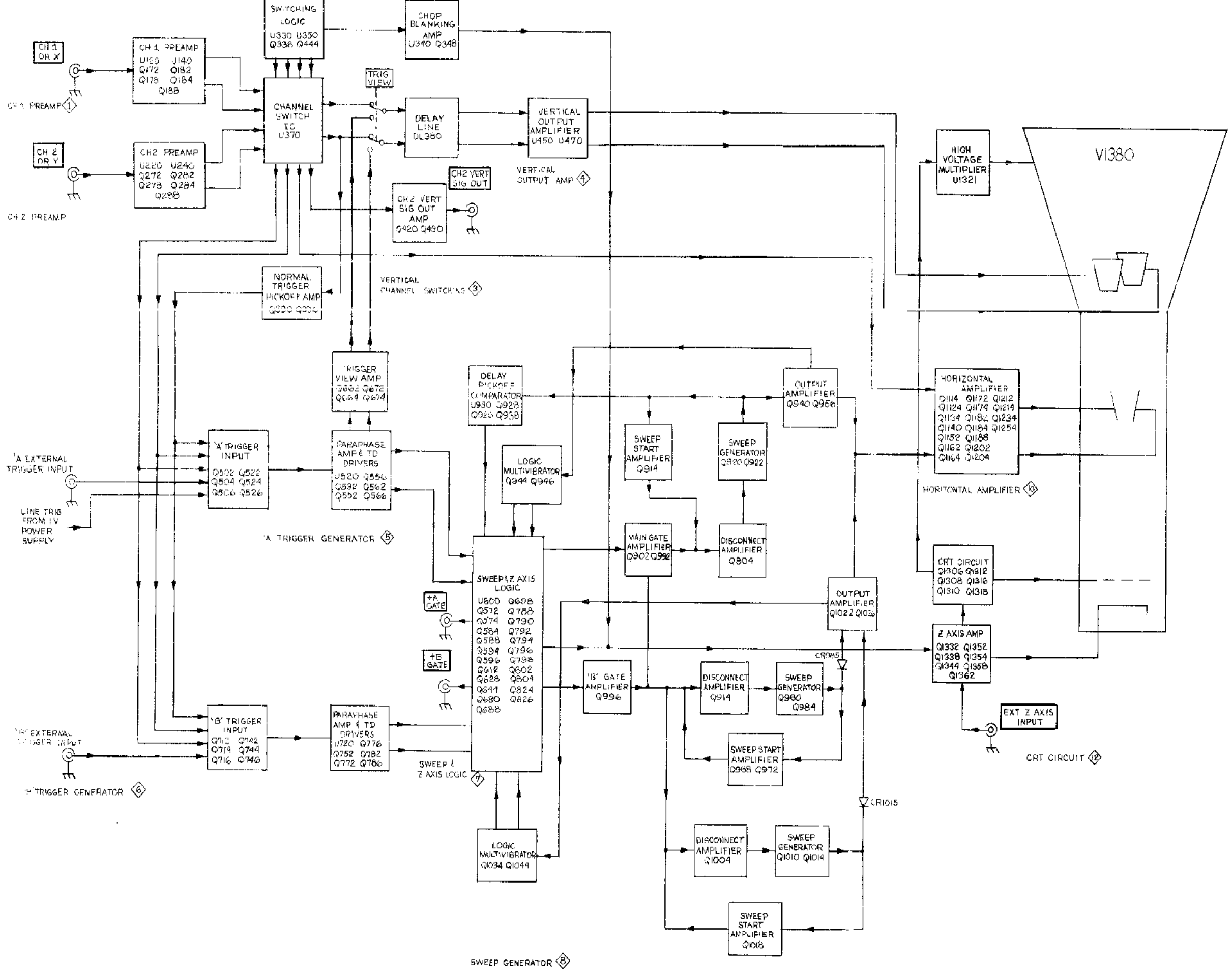


Fig. 7-2. Lead configurations for semiconductors used in this instrument.



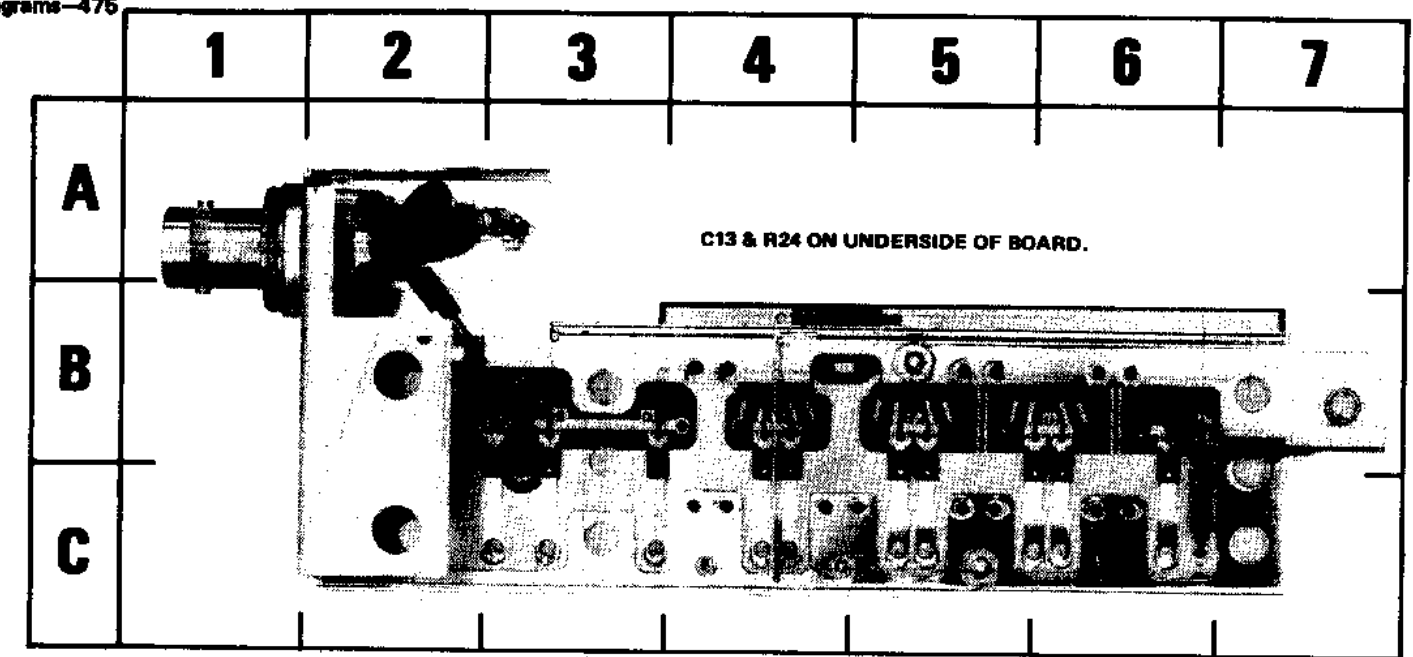


Fig. 7-3. A1 Channel 1 Attenuator circuit board.

GRID LOCATOR 

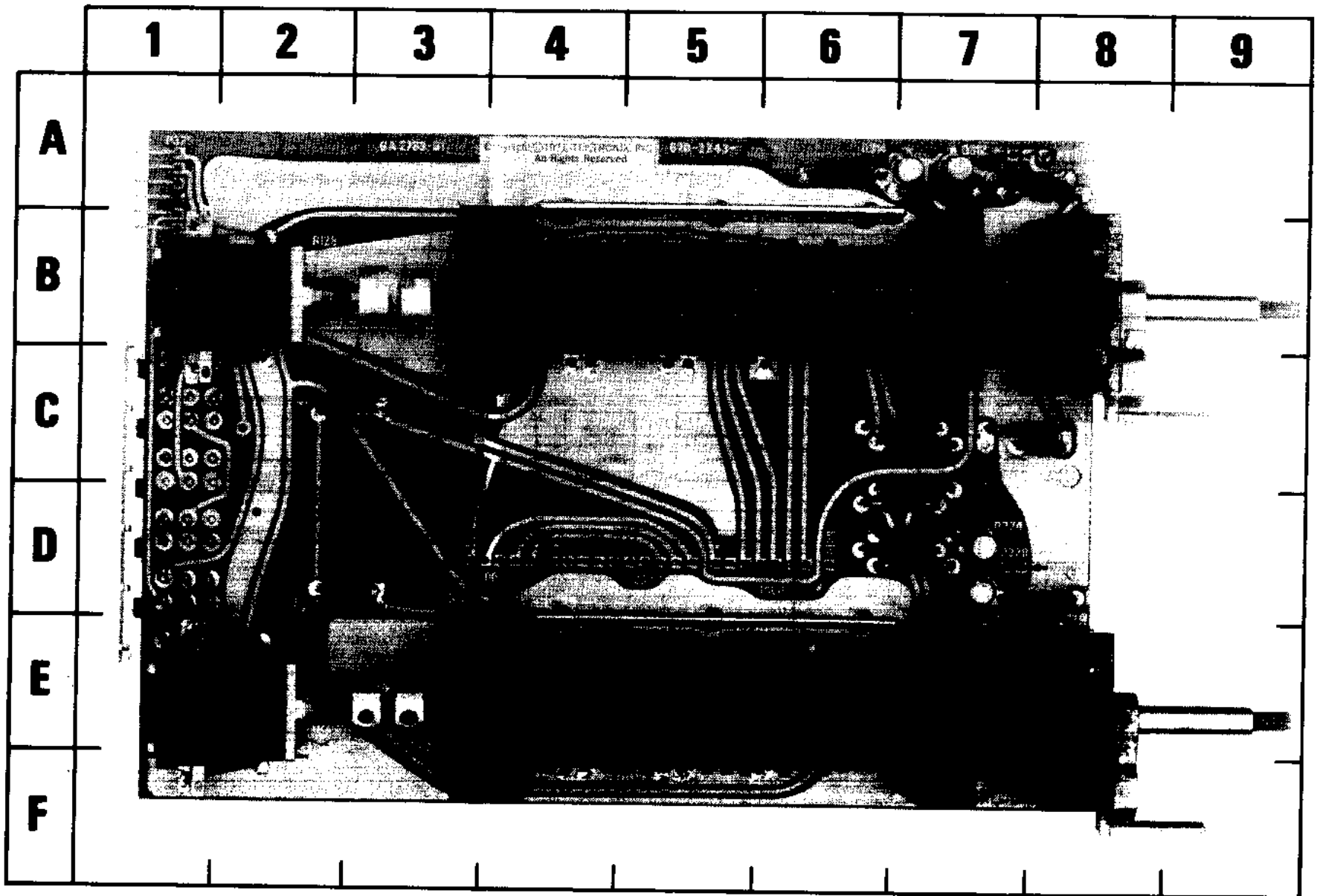


Fig. 7-4. P/O A4 Vertical Mode Switch circuit board.

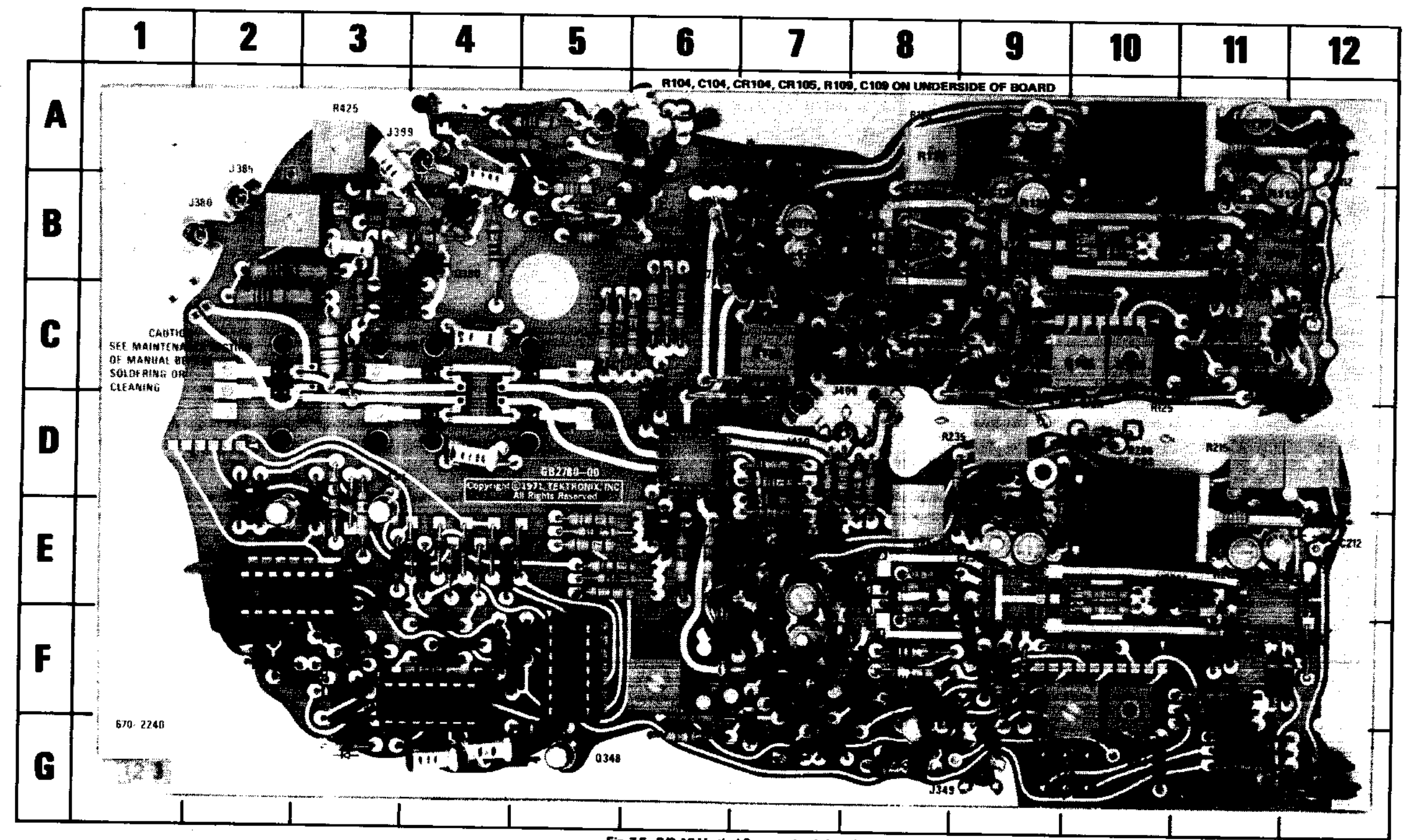


Fig. 7-5. P/O A3 Vertical Preamp circuit board.

Fig. 7-3. A1 Channel 1 Attenuator circuit board.

CKT NO	GRID LOC	CKT NO	GRID LOC
C10	3A	R22	3B
C11	2A	R33	4B
C41	6B	R39	6C
R10	2B	R41	6B
R13	2A	R42	7B

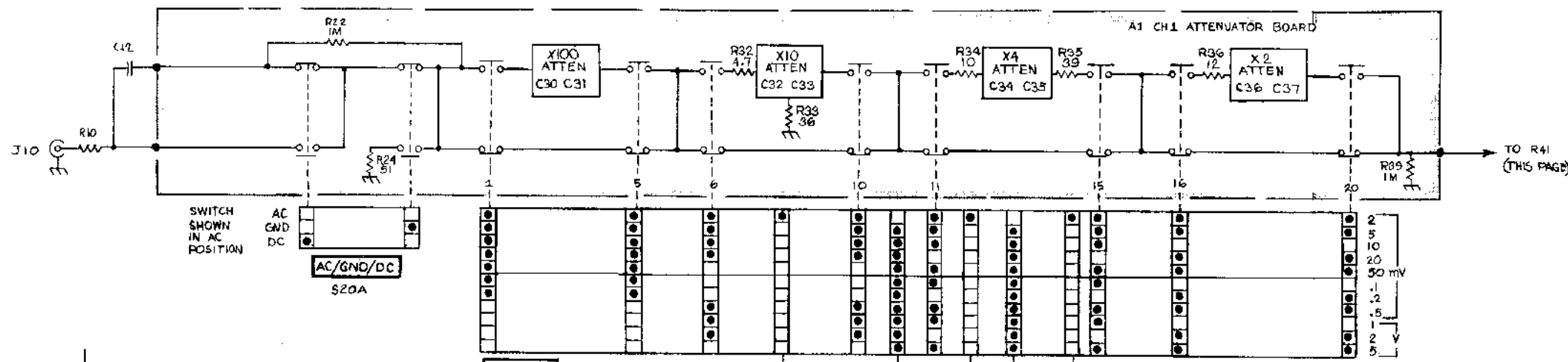


Fig. 7-4. A4 Vertical Mode Switch circuit board.

CKT NO	GRID LOC	CKT NO	GRID LOC
P160	5D	R129	7C
R120	7C	S20A	7B
R128	2B	S20B	5B

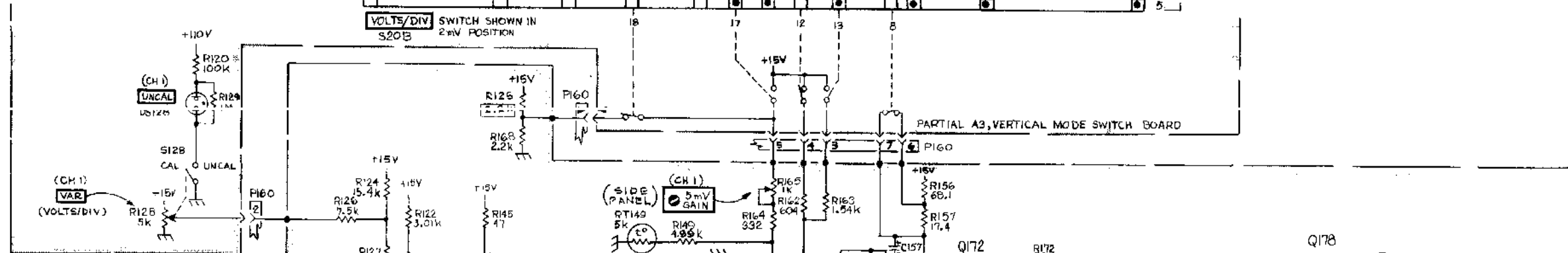
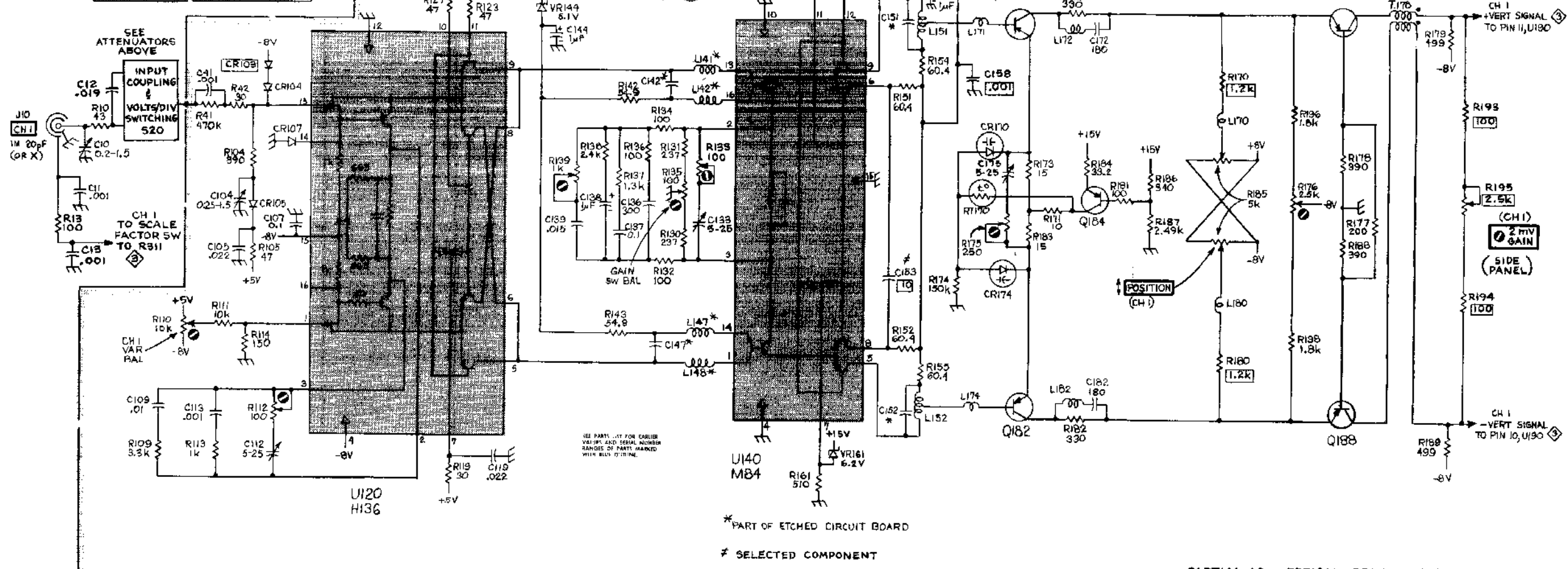


Fig. 7-5. A3 Vertical Preamp circuit board.

CKT NO	GRID LOC	CKT NO	GRID LOC	CKT NO	GRID LOC	CKT NO	GRID LOC	CKT NO	GRID LOC	CKT NO	GRID LOC	CKT NO	GRID LOC	CKT NO	GRID LOC
C105	12C	C172	7B	L180	7A	R113	11A	R134	9B	R155	8B	R174	7C	R187	8C
C107	12A	C175	7B	L182	7B	R114	12A	R135	8A	R156	9C	R175	7B	R188	7B
C112	11B	C182	7B			R119	11C	R136	9A	R157	9C	R176	7C	R189	6C
C113	11B			Q172	7B	R122	11C	R137	9A	R161	9C	R177	7B		
C119	11B	CR107	12C	Q178	7C	R123	12C	R138	9A	R162	9C	R178	7C	RT170	7C
C133	9B	CR170	7B	Q182	7B	R124	11C	R139	9A	R163	9C	R179	6D		
C136	9A	CR174	7B	Q184	8C	R125	10C	R142	10B	R164	9C	R180	7A	U120	11B
C137	9A			Q188	7B	R126	11C	R143	10B	R165	10C	R181	8C	U140	9B
C138	9A	L151	8B			R127	11C	R145	11C	R168	11C	R182	7B		
C139	9A	L152	8B			R105	11C	R130	8B	R149	9C	R170	7B	VR144	10B
C144	10B	L172	7C			R110	11A	R131	10B	R151	8B	R171	8B	R184	8C
C153	9B	L170	7B			R111	11A	R132	9B	R152	8B	R172	7C	R185	10A
C157	8C	L178	6B			R112	11B	R133	9B	R154	8B	R173	7B	R186	8C



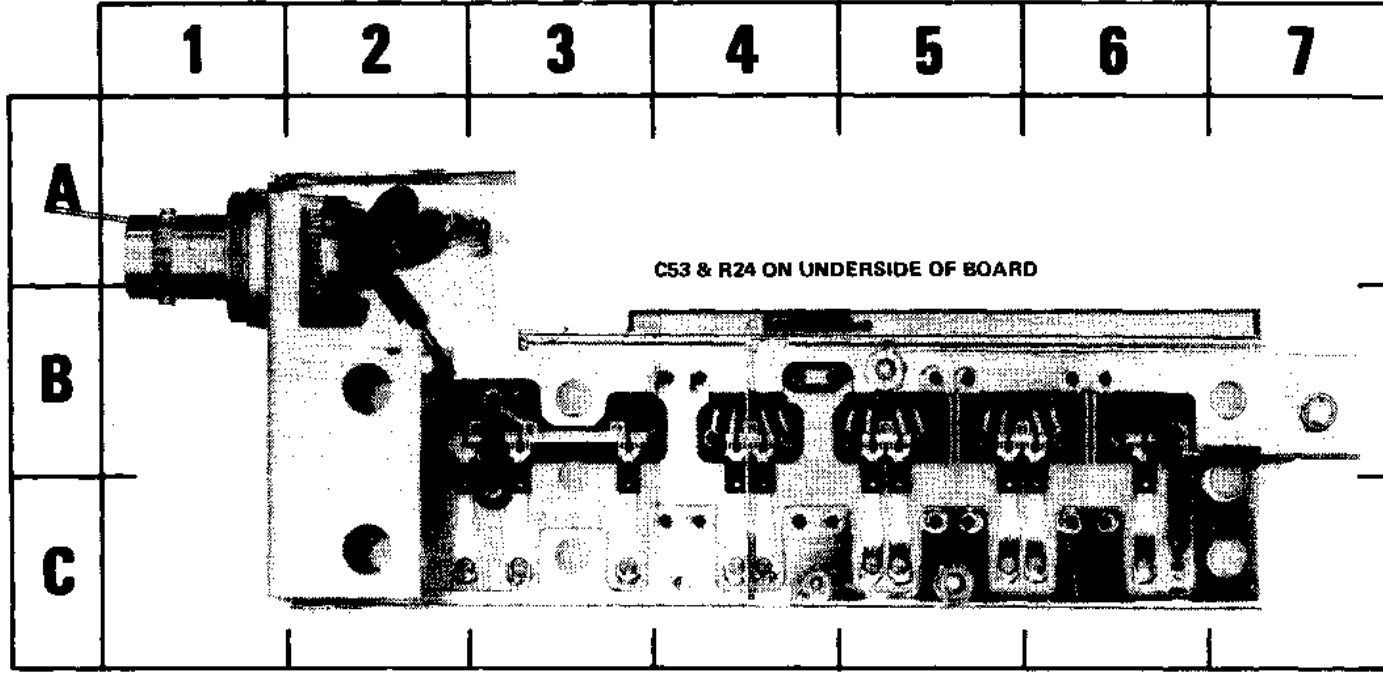


Fig. 7-6. A2 Channel 2 Attenuator circuit board.

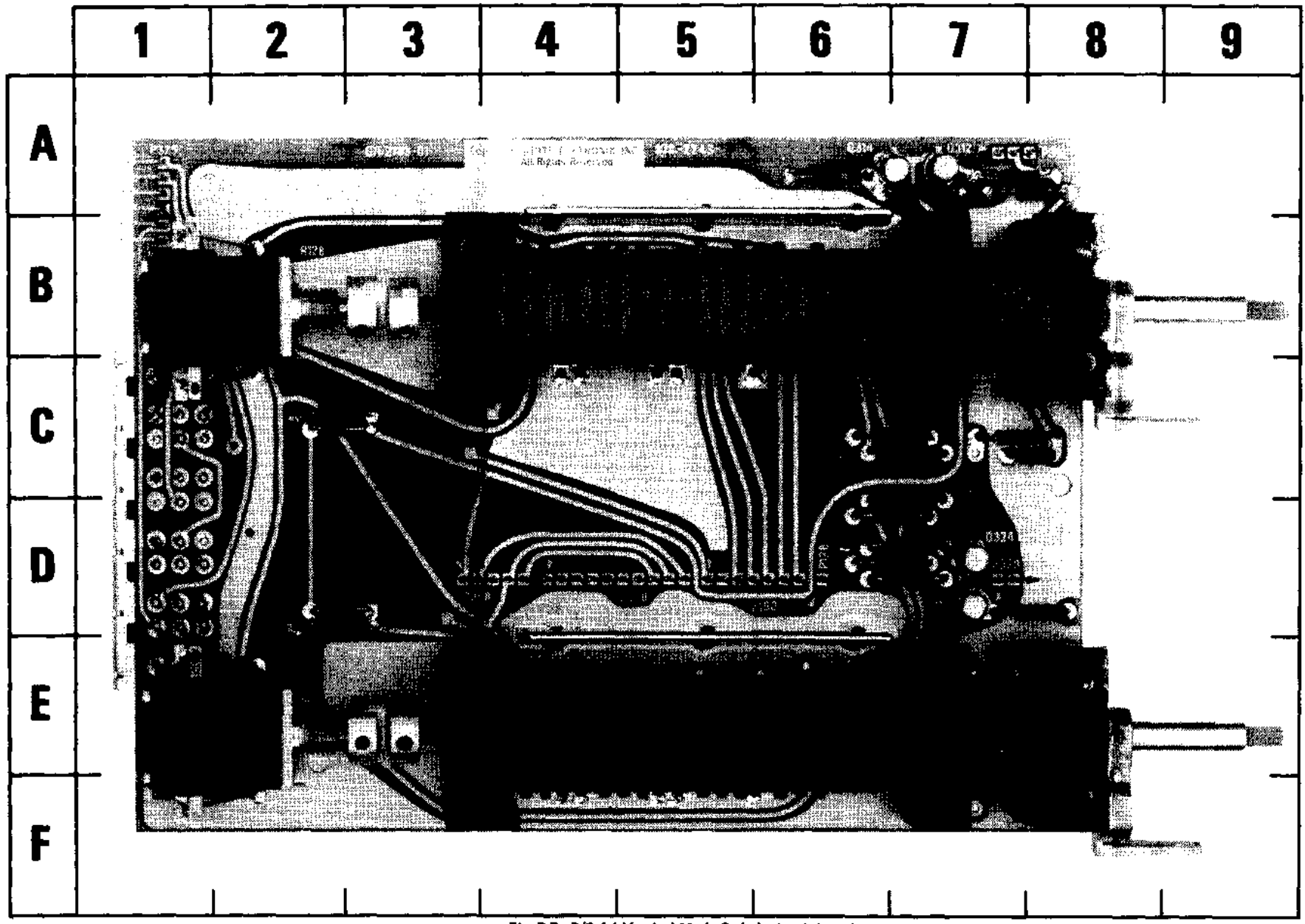


Fig. 7-7. P/O A4 Vertical Mode Switch circuit board.

GRID LOCATOR 

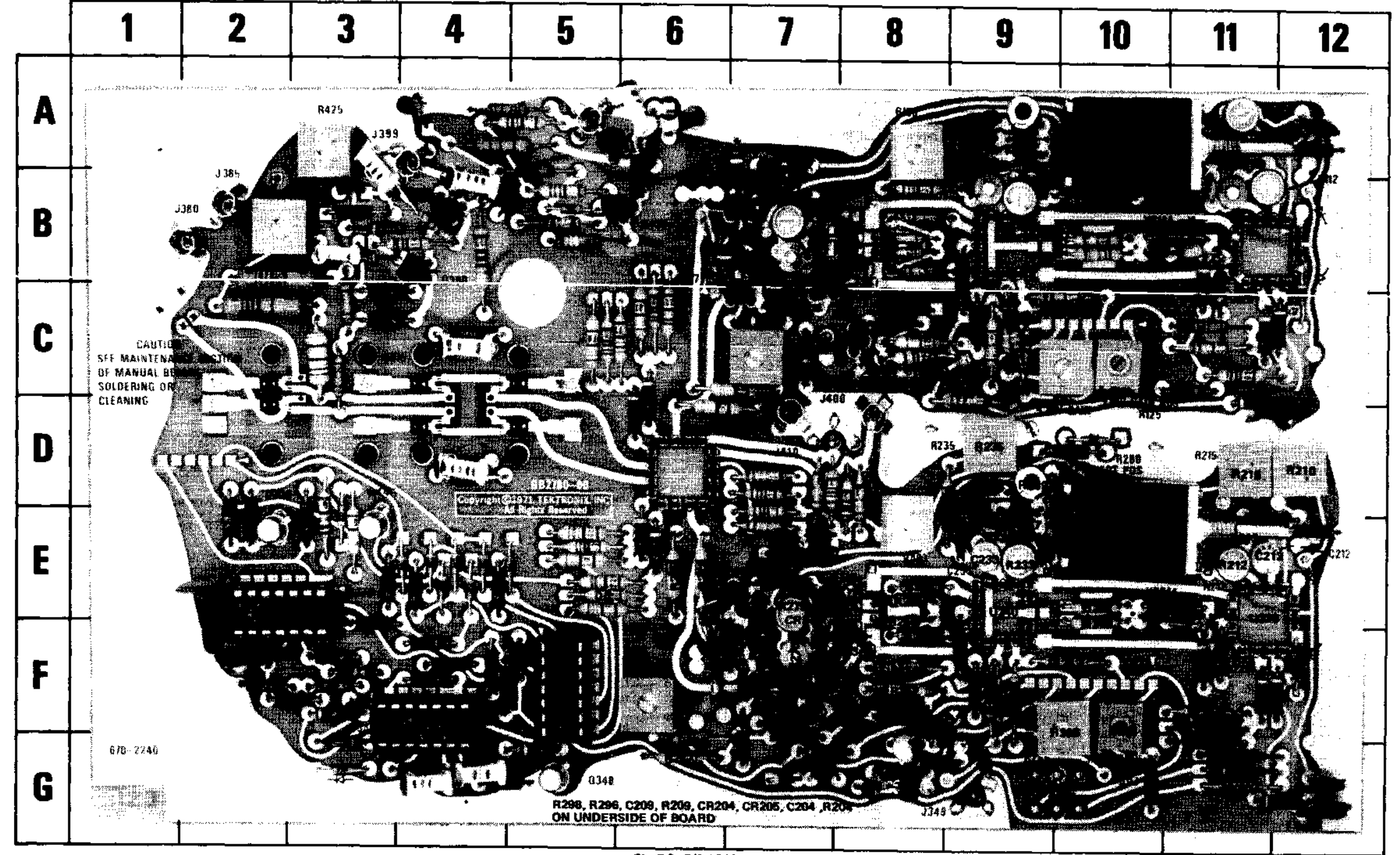


Fig. 7-8. P/O A3 Vertical Preamp circuit board.

Fig. 7-6. A2 Channel 2 Attenuator circuit board.

CKT NO	GRID LOC	CKT NO	GRID LOC
C50	2A	R39	6C
C51	2A	R50	2A
C61	6B	R53	2A
		R61	6B
R22	3B	R67	7B
R33	4B		

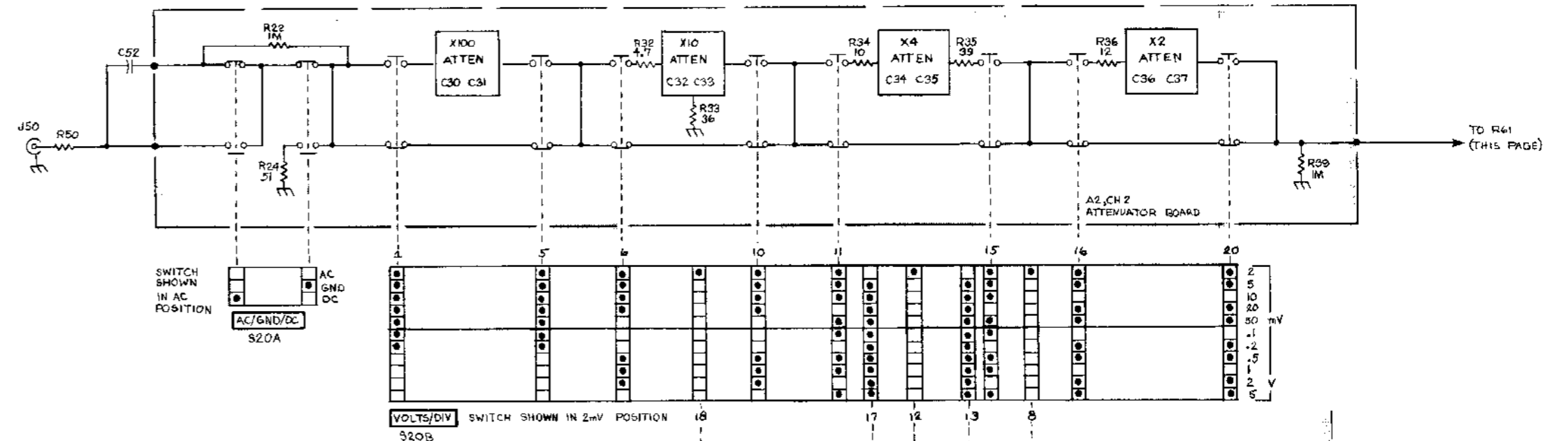


Fig. 7-7. A4 Vertical Mode Switch circuit board.

CKT NO	GRID LOC	CKT NO	GRID LOC
P260	4D	R229	7D
R220	7D	S20A	7E
R228	2E	S20B	5E

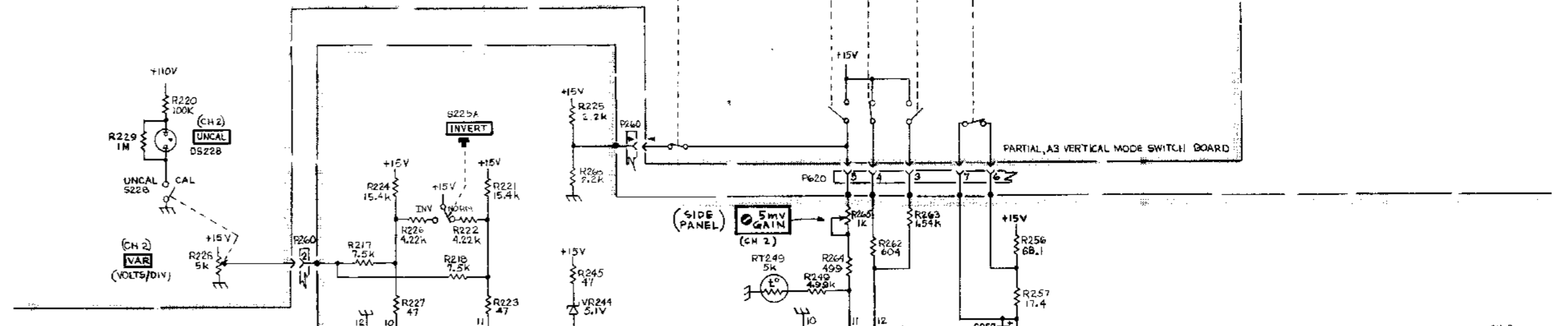
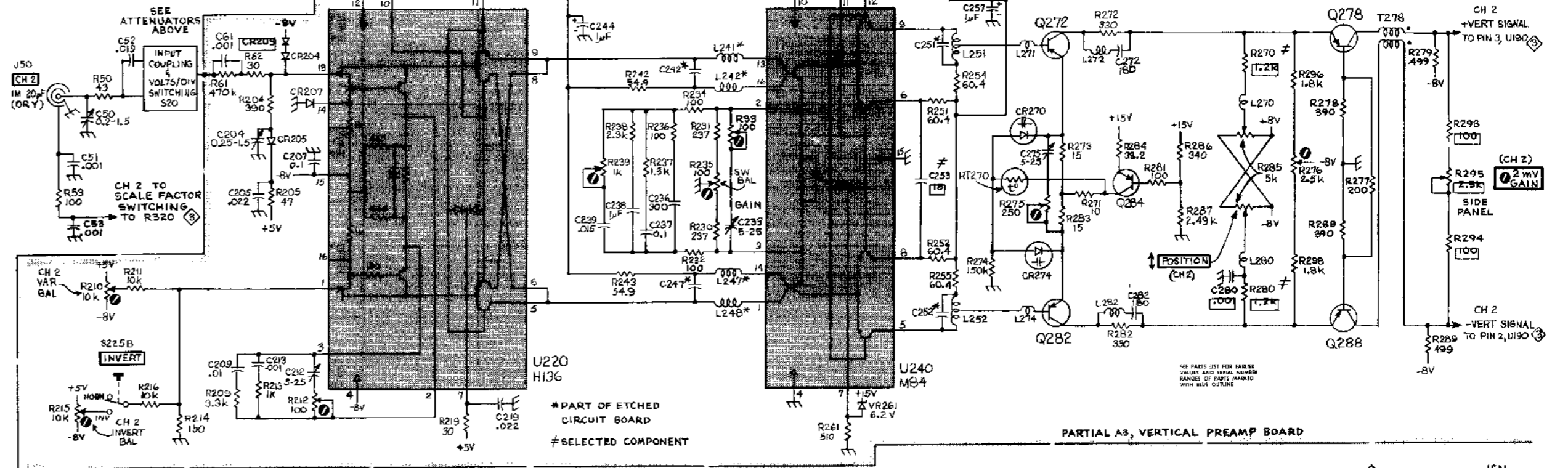


Fig. 7-8. A3 Vertical Preamp circuit board.

CKT NO	GRID LOC	CKT NO	GRID LOC	CKT NO	GRID LOC	CKT NO	GRID LOC	CKT NO	GRID LOC	CKT NO	GRID LOC	CKT NO	GRID LOC	CKT NO	GRID LOC
C205	12G	C275	7F	Q282	7E	R219	11F	R236	9E	R261	9F	R279	6E	S225	10G
C207	12G	C282	7E	Q284	8F	R221	11G	R237	9E	R262	9F	R280	7E		
C212	11E	CR207	12F	Q288	6E	R222	11G	R238	9D	R263	10F	R281	7F	T278	6F
C213	11E	CR270	7F			R223	12F	R239	9D	R264	9F	R282	7E		
C219	11E	CR274	7E			R224	11F	R242	10E	R265	10F	R283	8E	U220	11E
C233	9E					R225	10F	R243	10E	R268	10G	R284	8F	U240	9E
C236	8E	L251	8F			R226	11F	R245	11F	R270	7F	R285	10E		
C237	9E	L252	8E			R227	11F	R249	9F	R271	7F	R286	6G	VR244	10E
C238	9D	L272	7F			R228	11E	R251	8E	R272	7F	R287	6G	VR261	9F
C239	9D	L280	7E			R229	11E	R252	8F	R273	7F	R288	7F		
C244	10E	L282	7E			R230	9D	R253	7F	R274	7F	R289	6E		
C253	9E					R231	11E	R254	8E	R275	7E				
C257	8F	Q272	7F			R232	9E	R255	8E	R276	7E				
C272	7F	Q278	7F			R233	9E	R256	8F	R277	7F	RT270	7F		
						R234	9D	R257	8F	R278	7G				



GRID LOCATOR 

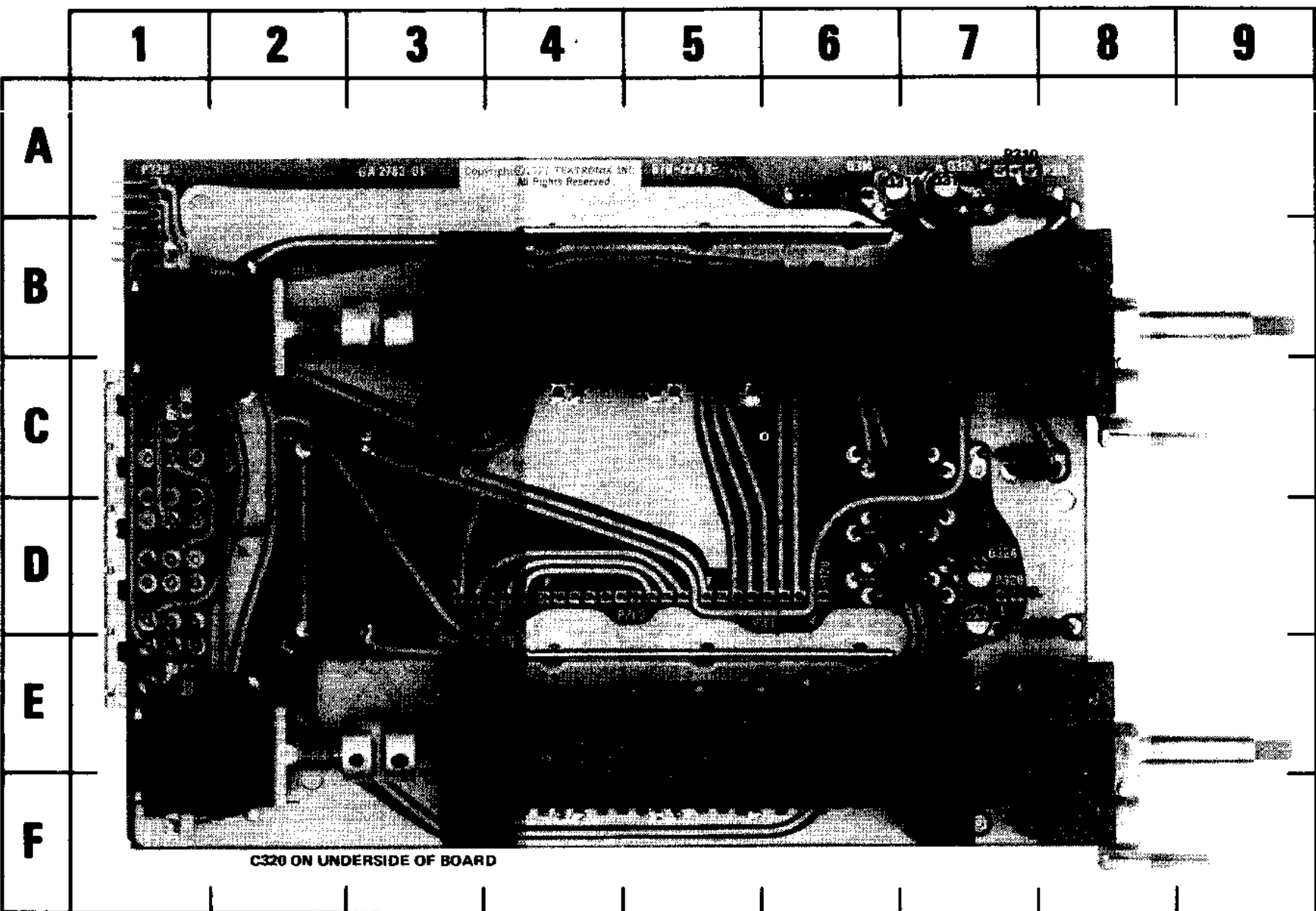


Fig. 7-9. P/O A4 Vertical Mode Switch circuit board.

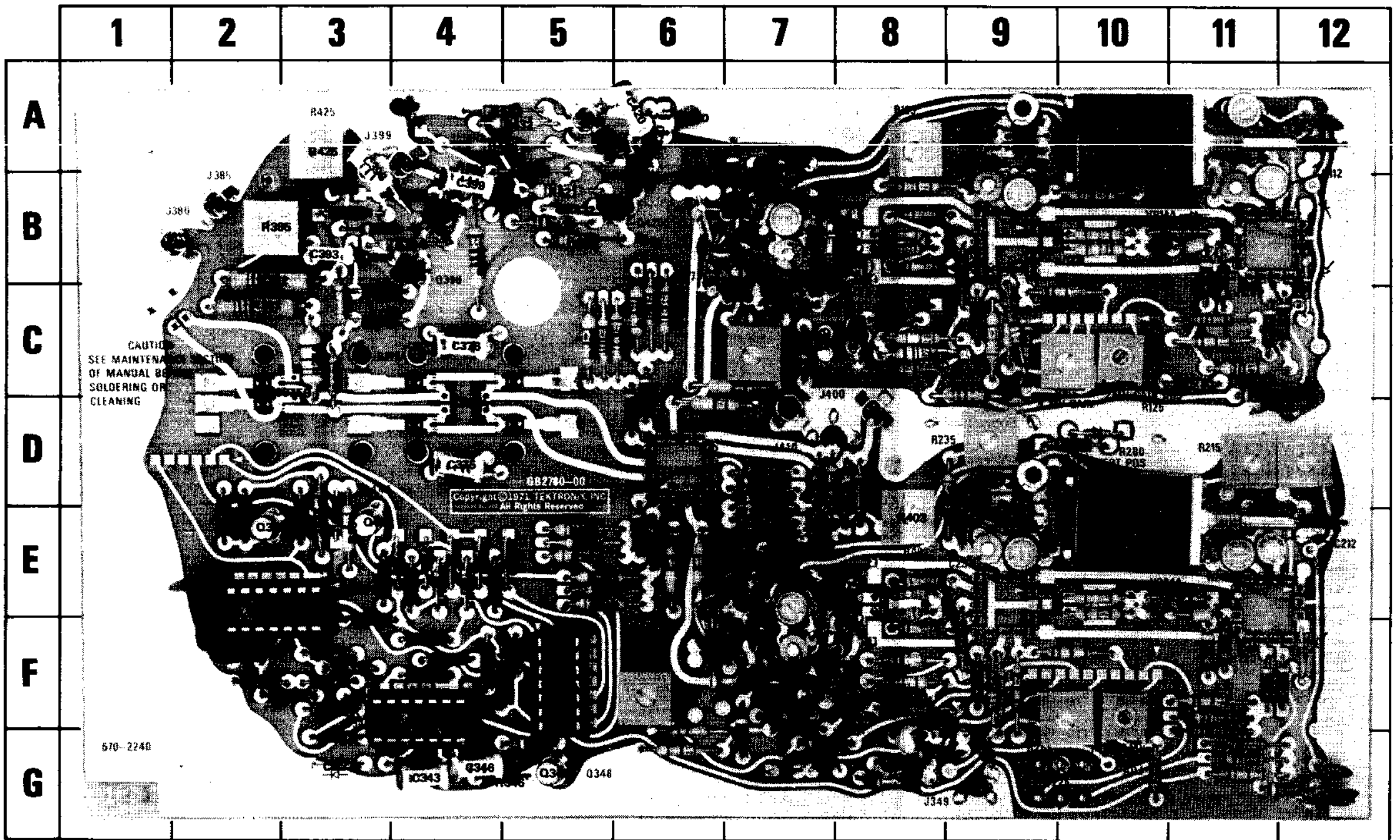


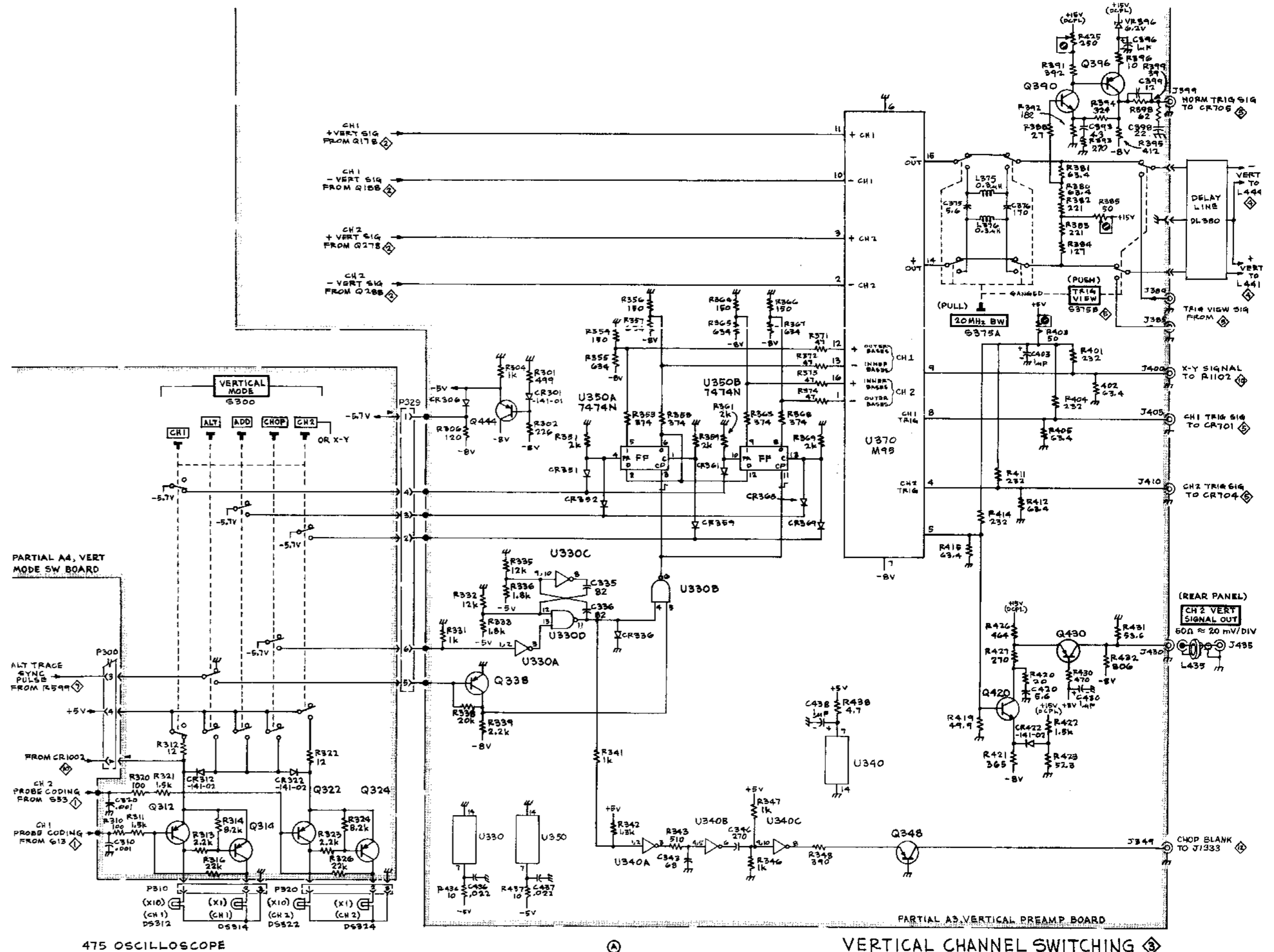
Fig. 7-10. P/O A3 Vertical Preamp circuit board.

Fig. 7-9. A4 Vertical Mode Switch circuit board.

CKT NO	GRID LOC	CKT NO	GRID LOC	CKT NO	GRID LOC	CKT NO	GRID LOC
C310	7C	Q312	7A	R312	2C	R324	6D
CR312	2C	Q322	7D	R314	6A	R326	6D
CR322	2D	Q324	7D	R316	7A	S300	2D
P300	4D			R320	7E		
P310	7A	R310	7C	R321	7D		
P320	7D	R311	7A	R322	7D		
				R323	6D		

Fig. 7-10. A3 Vertical Preamp circuit board.

CKT NO	GRID LOC	CKT NO	GRID LOC	CKT NO	GRID LOC	CKT NO	GRID LOC	CKT NO	GRID LOC	CKT NO	GRID LOC	CKT NO	GRID LOC	CKT NO	GRID LOC
C335	2F	CR301	3E	J410	7D	R332	3F	R357	6C	R382	2B	R405	8D	R437	5F
C336	2F	CR306	4E	J430	5A	R333	3F	R358	6C	R383	2C	R411	7D		
C343	4G	CR336	3G			R335	2F	R359	4E	R384	3C	R412	7E	S375A	4D
C346	4G	CR351	4E	L375	4D	R336	2F	R361	5E	R385	2B	R414	7D	S375B	3C
C347	5F	CR352	4E	L376	4C	R338	2E	R363	5E	R388	3C	R415	7D		
C375	4D	CR359	4E	L439	4B	R339	2E	R364	5E	R391	3B	R419	5B	U330	2E
C376	4C	CR361	5E			R341	2F	R365	5E	R392	3B	R420	6B	U340	4F
C393	3B	CR368	4E	Q338	2E	R342	2G	R366	5E	R393	3C	R421	5B	U350	5F
C396	3B	CR369	4E	Q390	4B	R343	4G	R367	5E	R394	4B	R422	5A	U370	6D
C398	3A	CR422	5B	Q396	4B	R346	5G	R368	5E	R395	4B	R423	5B		
C399	4B			Q430	5A	R347	4F	R369	4F	R396	4B	R425	3A	VR396	3B
C403	7E	J349	9G	Q444	3E	R348	5G	R371	6D	R398	4B	R426	4A		
C420	6A	J380	2B			R351	4F	R372	6D	R399	4A	R427	6B		
C430	6A	J385	2B	R302	3E	R353	6C	R373	6E	R401	8D	R430	6A		
C436	2E	J399	4A	R304	4F	R354	6C	R374	6E	R402	7D	R431	4A		
C438	3F	J400	7D	R306	3E	R355	6C	R380	3C	R403	8E	R432	5A		
C439	4A	J405	8D	R331	3E	R356	6C	R381	3C	R404	8D	R436	3F		



475 OSCILLOSCOPE

Ⓐ

VERTICAL CHANNEL SWITCHING ⓑ

GRID LOCATOR

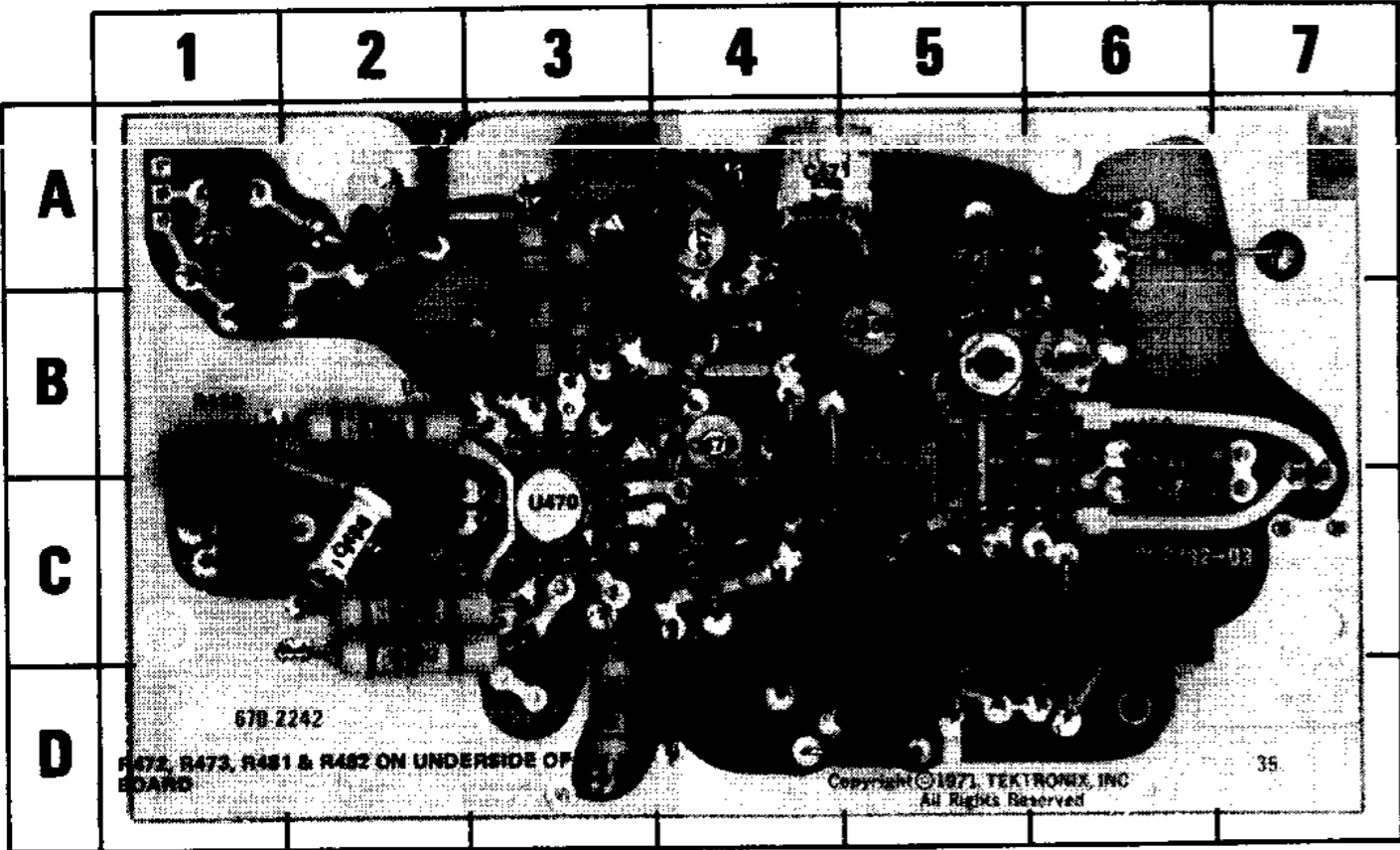
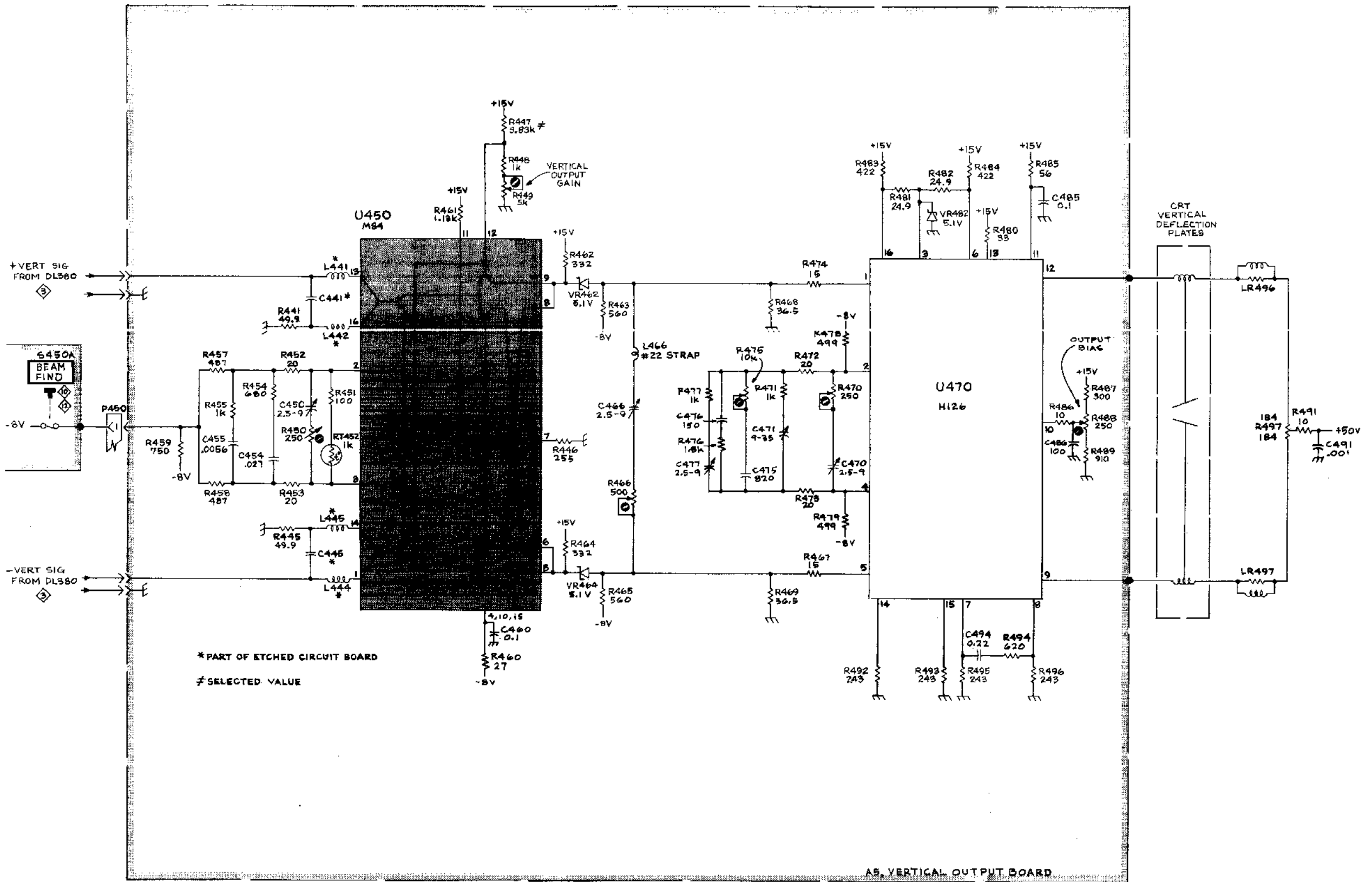


Fig. 7-11. A5 Vertical Output circuit board.

Fig. 7-11. A5 Vertical Output circuit board.

CKT NO	GRID LOC	CKT NO	GRID LOC	CKT NO	GRID LOC	CKT NO	GRID LOC	CKT NO	GRID LOC	CKT NO	GRID LOC	CKT NO	GRID LOC	CKT NO	GRID LOC
C450	6B	C485	2C	R445	6C	R455	6A	R466	5C	R478	4C	R482	2C	U450	5B
C454	5A	C486	2C	R446	5C	R457	6A	R467	3B	R479	4B	R483	2C	U470	3C
C455	5A	C494	3B	R447	6C	R458	6A	R468	4D	R480	2C	R484	3B		
C460	5D	C498	2A	R448	6C	R459	2A	R469	3B	R483	3D	R486	3B	VR482	4C
C466	5B	C499	2A	R449	6C	R460	5D	R470	4C	R484	3B	R486	2B	VR464	4B
C470	4B			R450	5B	R461	5C	R471	4A	R485	2C	R488	1A	VR482	3B
C471	4A	L498	1A	R451	6B	R462	5C	R474	3C	R486	2C	R499	1A		
C475	4A	L499	1B	R452	6B	R463	4C	R475	3A	R487	1C				
C476	4B			R453	5B	R464	5B	R476	4B	R488	1B	RT452	5B		
C477	4A	R441	6B	R454	6A	R465	4C	R477	4A	R489	1C				



GRID LOCATOR

Diagrams-475

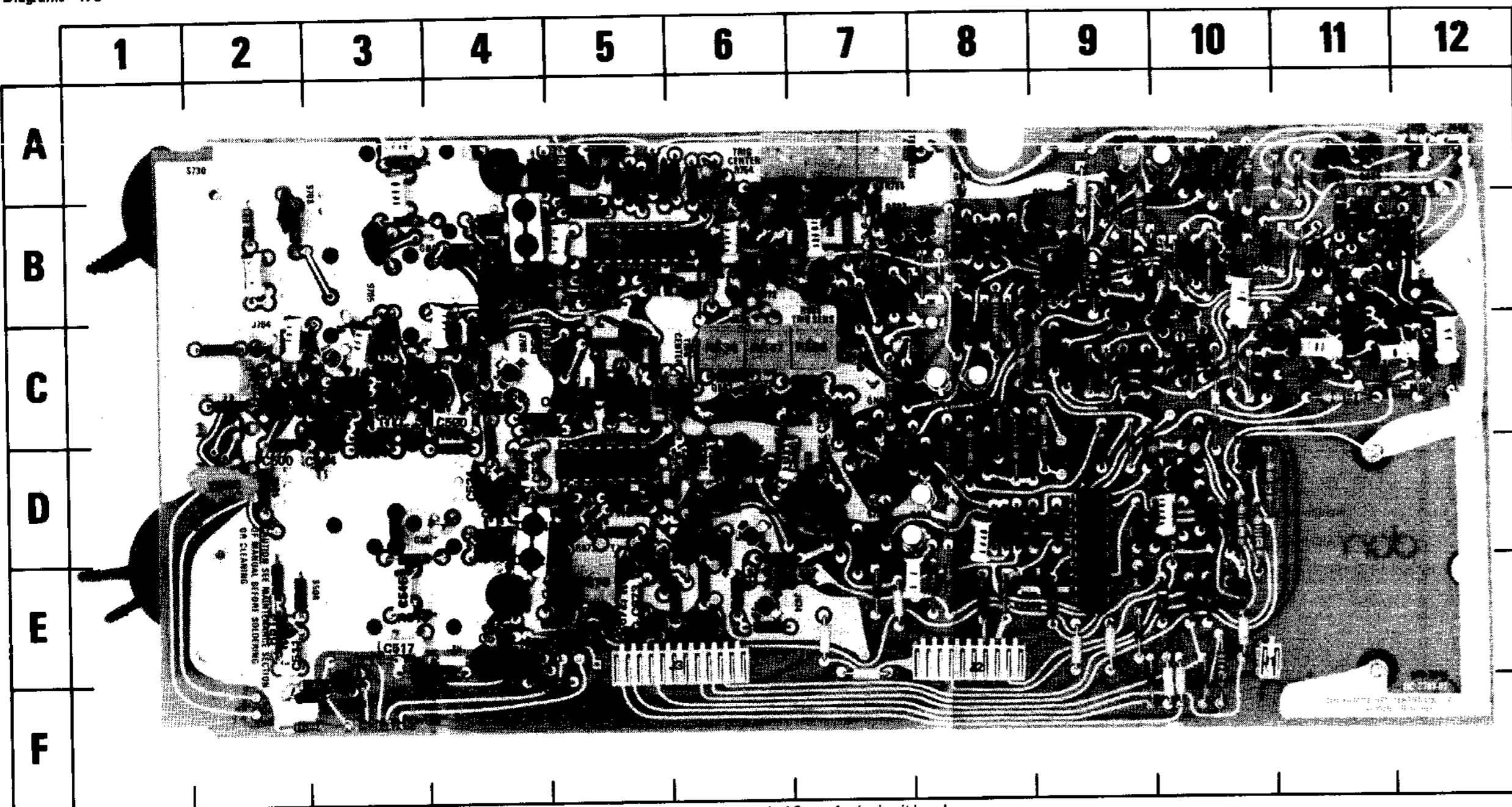
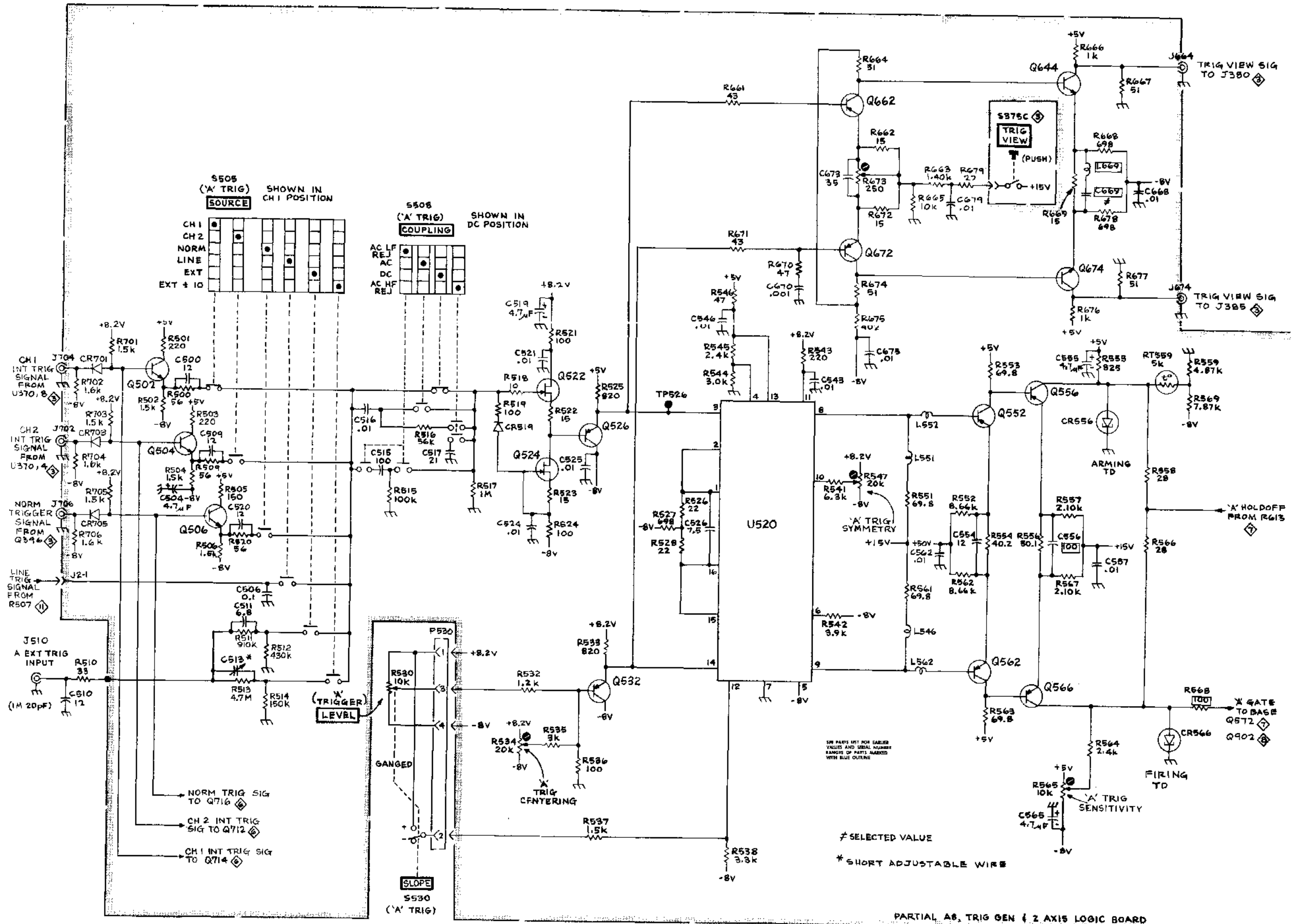


Fig. 7-12. P/O A8 Trigger Generator And Sweep Logic circuit board.

Fig. 7-12. A8 Trigger Generator and Sweep Logic circuit board.

CKT NO	GRID LOC	CKT NO	GRID LOC	CKT NO	GRID LOC	CKT NO	GRID LOC	CKT NO	GRID LOC	CKT NO	GRID LOC	CKT NO	GRID LOC	CKT NO	GRID LOC
C500	2D	C557	6D	J674	6E	Q566	7D	R516	3D	R538	5C	R564	7C	R673	5E
C504	3D	C562	8D	J704	2C	Q662	5D	R517	4D	R541	6C	R565	7C	R674	6E
C506	2D	C565	7C	J706	2C	Q664	6D	R518	4D	R542	5D	R566	7D	R675	6E
C509	3C	C668	6D			Q672	5E	R519	4D	R543	5C	R567	6D	R676	6E
C511	2E	C673	5E	L546	5C	Q674	6E	R520	4C	R544	5D	R568	7C	R677	6E
C515	3E	C675	6E	L551	5D			R521	4E	R545	5C	R570	3E	R678	6E
C516	3D	C679	4E			R500	2C	R522	5E	R546	5C	R579	4E	R679	4F
C517	3E			P530	4C	R501	3C	R523	4D	R547	6C	R661	5D	R701	2C
C519	4E	CR519	4D			R502	2D	R524	4D	R551	6D	R662	5E	R702	2C
C520	4C	CR556	7D	Q502	2C	R503	3C	R525	5E	R552	6D	R663	5E	R703	3C
C521	4E	CR566	7C	Q504	3C	R504	3D	R526	4D	R553	6D	R664	5E	R704	3C
C524	4D	CR701	2C	Q506	4C	R505	3C	R527	4D	R554	6D	R665	5E	R705	4C
C525	4E	CR703	3C	Q522	4D	R506	4D	R528	4C	R555	7D	R666	6D	R706	4C
C526	4D	CR705	4C	Q524	4D	R509	3C	R532	5C	R556	6D	R667	6E		
C543	5C			Q526	5D	R511	2E	R533	4C	R557	8C	R668	6E	TP526	5D
C546	5C	J1	10E	Q532	4C	R512	2E	R534	6C	R558	7D	R669	8E		
C554	6D	J2	8E	Q552	6D	R513	2E	R535	5C	R561	6C	R670	5E	U520	5D
C555	7D	J3	6E	Q556	8C	R514	2E	R536	5C	R562	6C	R671	4D		
C556	7D	J664	6D	Q562	6C	R515	3E	R537	5C	R563	6C	R672	5E	VR570	4E



GRID LOCATOR

Diagrams-475

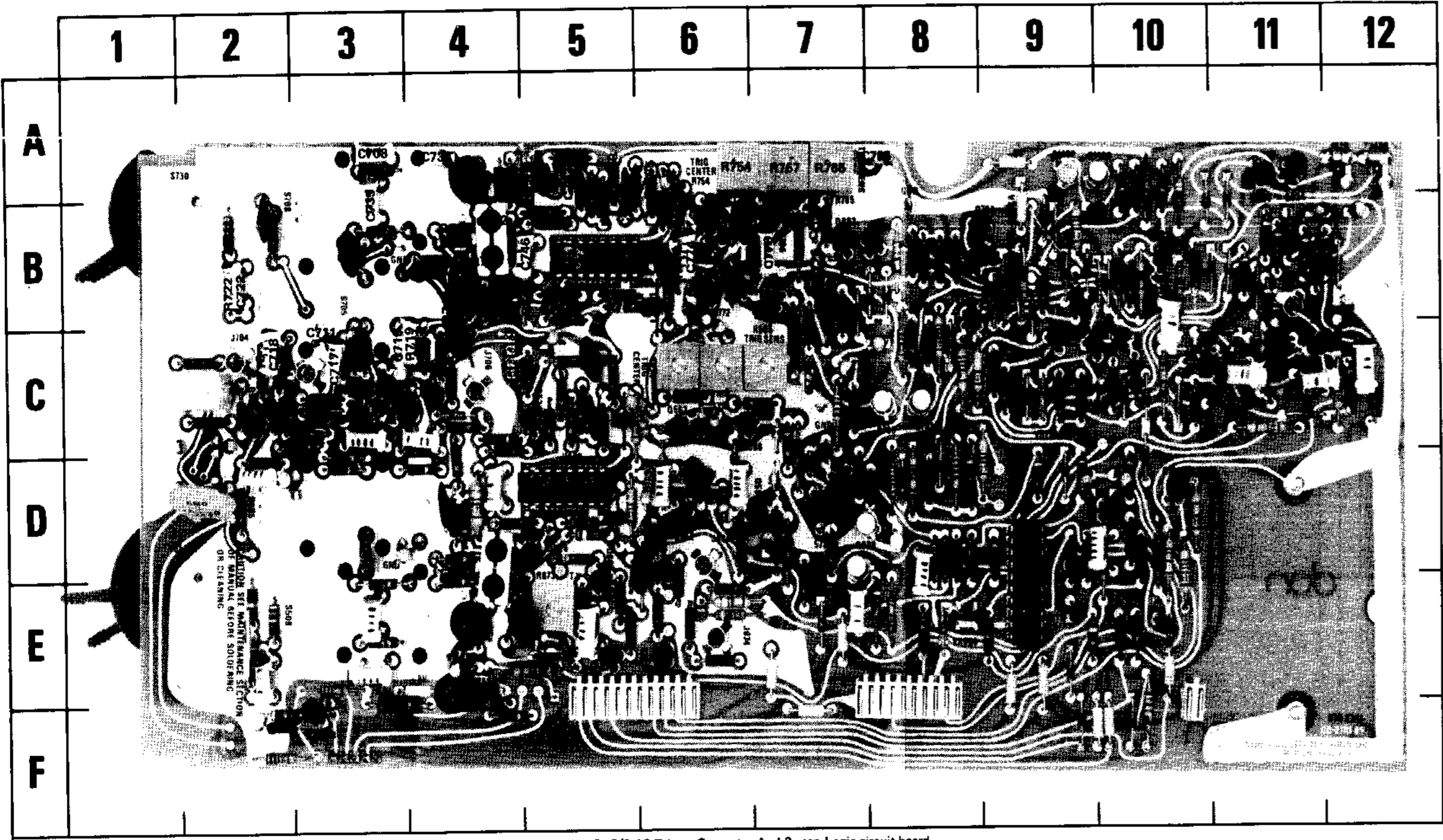
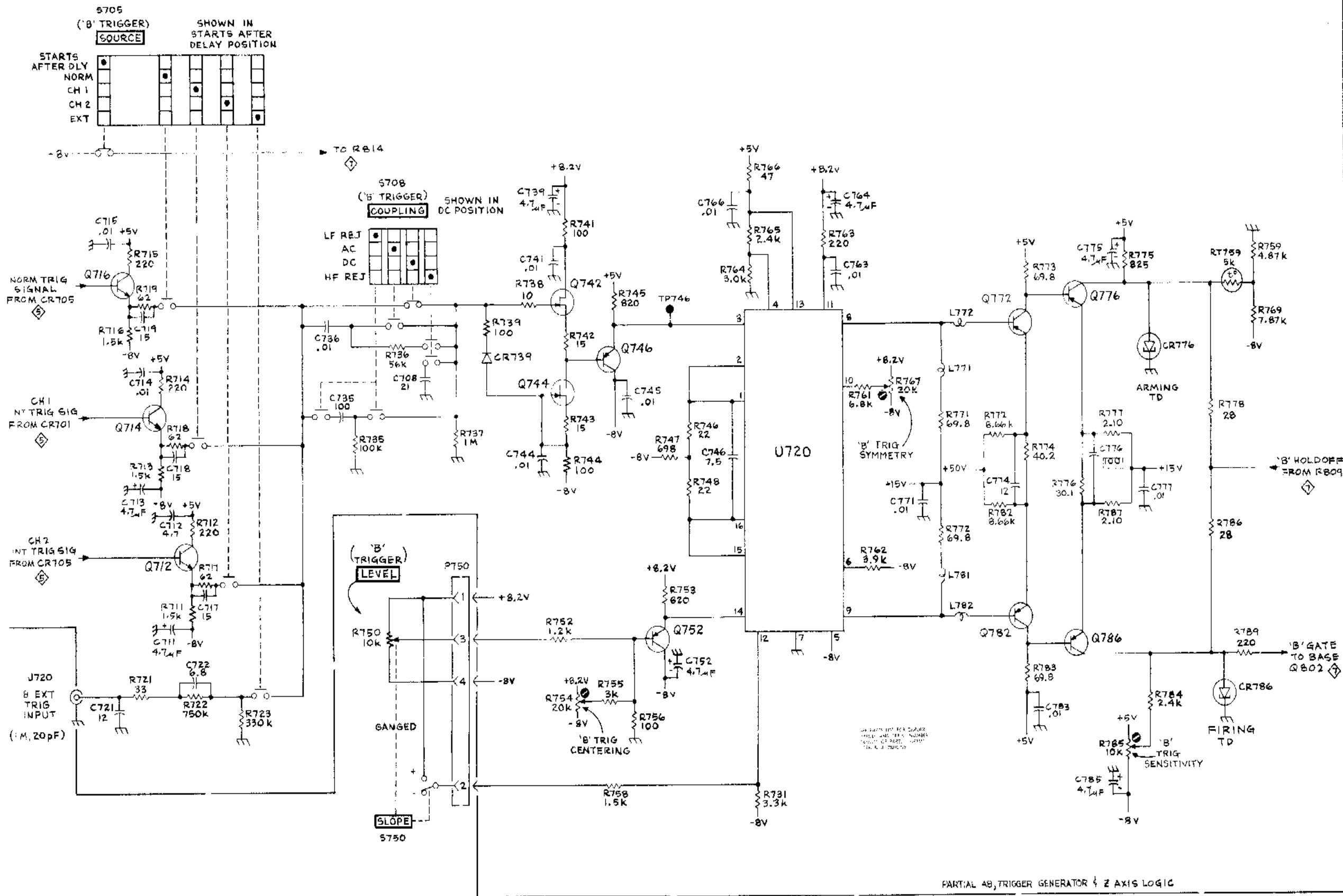


Fig. 7-13. P/O A8 Trigger Generator And Sweep Logic circuit board.

Fig. 7-13. A8 Trigger Generator and Sweep Logic circuit board.

CKT NO	GRID LOC	CKT NO	GRID LOC	CKT NO	GRID LOC	CKT NO	GRID LOC	CKT NO	GRID LOC	CKT NO	GRID LOC	CKT NO	GRID LOC	CKT NO	GRID LOC
C708	3A	C745	4B	CR739	4B	Q744	4B	R717	3C	R743	4B	R763	5A	R781	6B
C711	3C	C746	5B	CR776	7B	Q746	4B	R718	2C	R744	4B	R764	5B	R782	6A
C714	2C	C752	5A	CR786	7B	Q752	5A	R719	4C	R745	5B	R765	6A	R783	6B
C715	4C	C763	5B			Q772	6B	R722	2B	R746	5B	R766	6A	R784	7B
C717	3C	C766	5A	L771	6B	Q776	7B	R723	2B	R748	5B	R767	7A	R785	7A
C718	2C	C771	6B	L781	6B	Q782	6B	R731	5B	R752	4A	R771	6B	R786	7B
C719	3C	C774	6B			Q786	7B	R735	3A	R753	5B	R772	6C	R787	7B
C722	2B	C775	7C	P750	5A			R736	3B	R754	6A	R773	6B	R789	7B
C735	3B	C776	7B					R711	3C	R737	4B	R755	5A	R774	6B
C736	3B	C777	6B	Q712	3C	R713	2C	R738	4B	R756	4A	R775	7C	TP746	5B
C739	4A	C783	6B	Q714	2C	R714	3C	R739	4B	R758	5B	R776	7B		
C741	4A	C785	7A	Q716	4C	R715	4C	R741	4A	R761	5B	R777	6B	U720	5B
C744	4B			Q742	4B	R716	4C	R742	4B	R762	5B	R778	7B		



PARTIAL 'B' TRIGGER GENERATOR & Z AXIS LOGIC

GRID LOCATOR

Diagrams—475

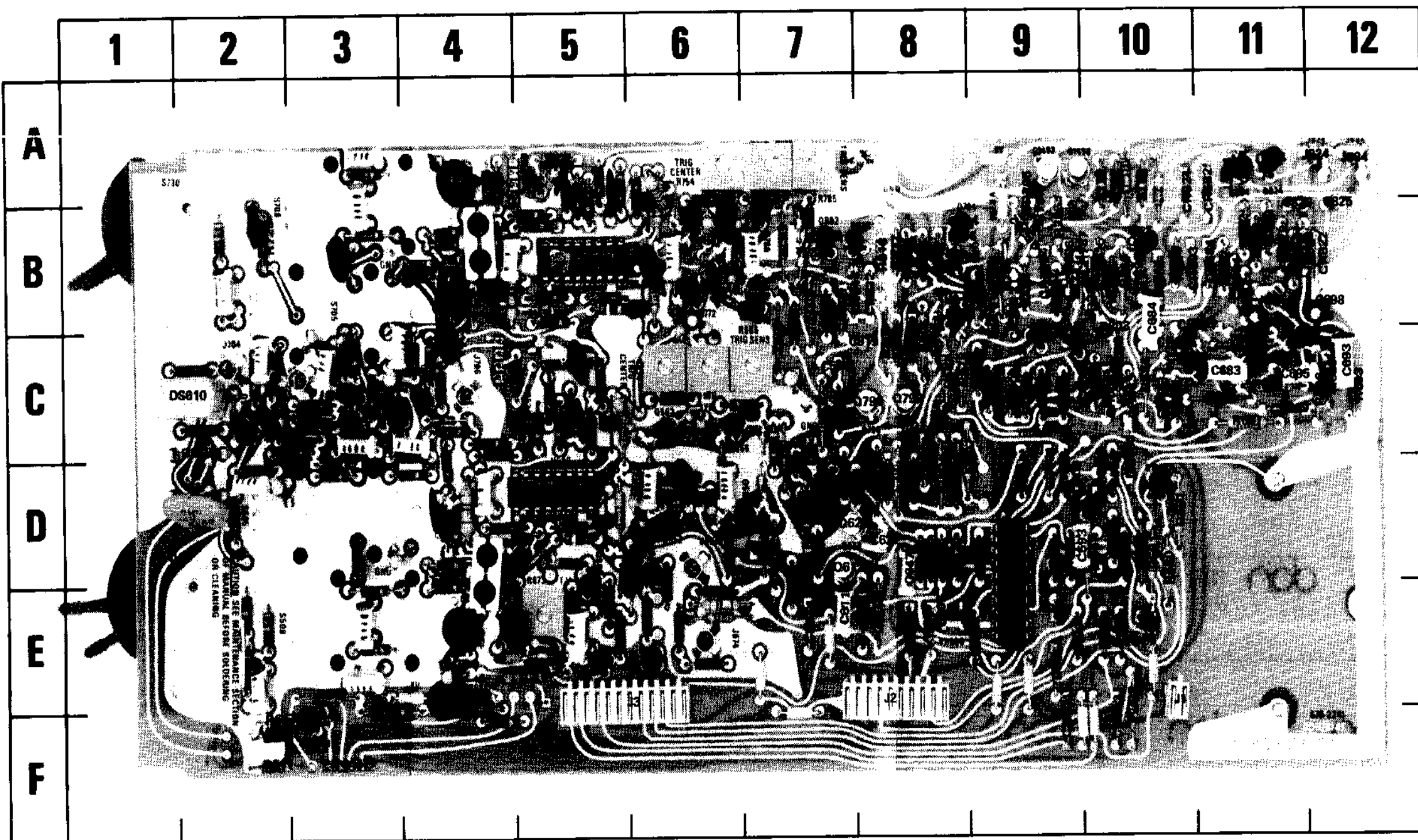
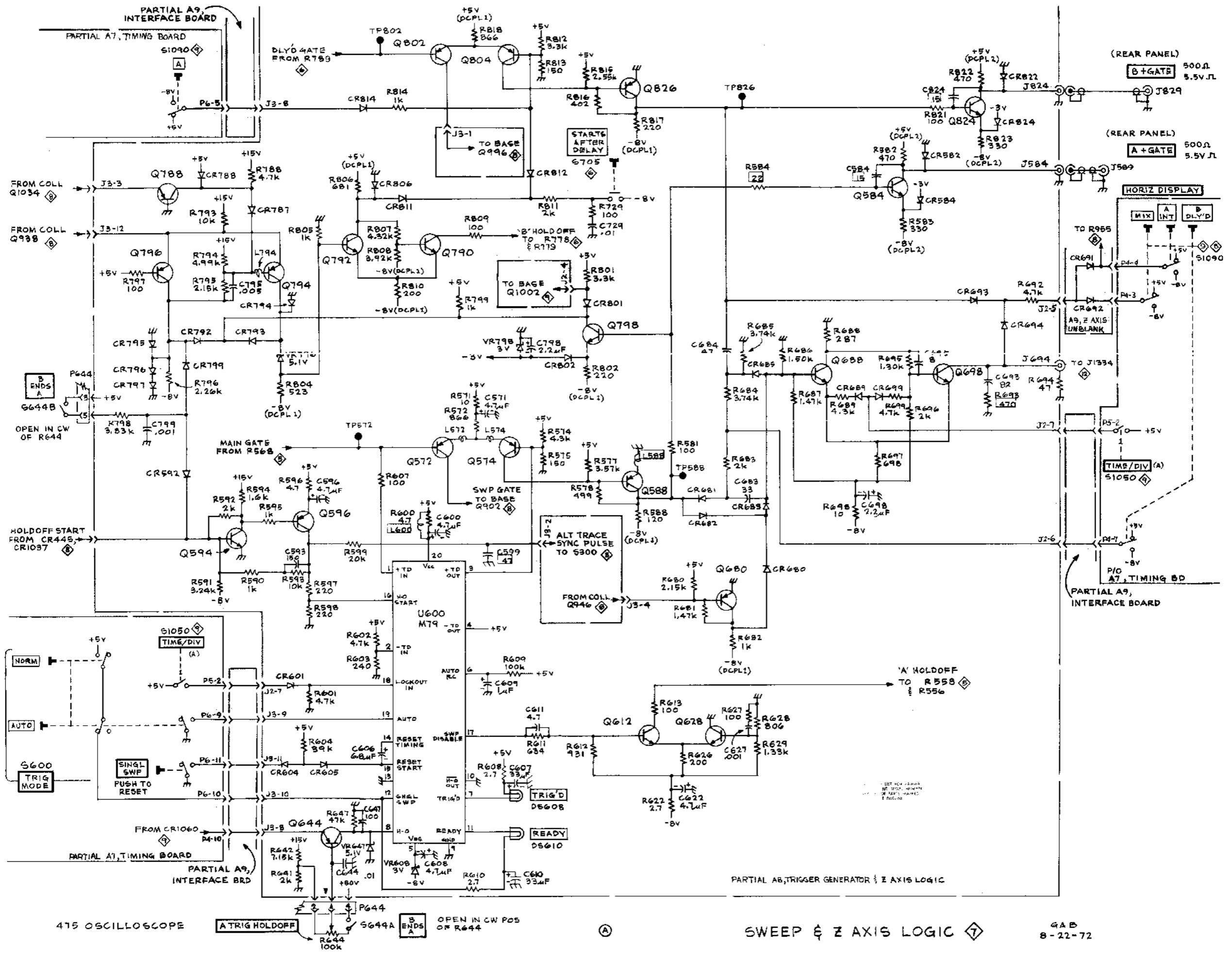


Fig. 7-14. P/O A8 Trigger Generator And Sweep Logic circuit board.

Fig. 7-14. A8 Trigger Generator and Sweep Logic circuit board.

CKT NO	GRID LOC	CKT NO	GRID LOC	CKT NO	GRID LOC	CKT NO	GRID LOC	CKT NO	GRID LOC	CKT NO	GRID LOC	CKT NO	GRID LOC	CKT NO	GRID LOC
C571	7C	CR592	10F	CR811	8B	Q584	11A	R577	8C	R613	7E	R698	10C	R815	10B
C593	9D	CR601	9D	CR812	8B	Q588	8B	R578	8C	R622	8D	R699	12C	R816	10B
C600	9D	CR604	9F	CR814	7E	Q594	10E	R581	9C	R626	8D	R729	2B	R817	10B
C606	9E	CR605	9E	CR822	12B	Q596	9D	R582	11B	R627	8D	R788	9B	R818	8B
C608	8E	CR680	10D	CR824	10B	Q612	7D	R583	11B	R628	8D	R793	9B	R819	8C
C609	8E	CR681	10C			Q628	7D	R588	9C	R629	8D	R794	9C	R821	10B
C611	7E	CR682	10C	DS608	2C	Q644	3F	R590	10E	R641	2F	R795	9B	R822	11B
C622	8D	CR683	10C	DS610	2C	Q680	10D	R591	10D	R642	3E	R796	9B	R823	11B
C627	8D	CR685	10C			Q688	11C	R592	10D	R647	2F	R797	8B	R825	11B
C647	8D	CR689	10B	J1	10E	Q698	11C	R593	10E	R680	10D	R798	10F	R826	12B
C683	11C	CR693	10B	J2	8E	Q788	9C	R594	10D	R681	10D	R799	8C		
C684	10C	CR694	11B	J3	5E	Q790	8C	R595	10D	R682	10C	R801	8E	TP572	7D
C693	12C	CR699	11C	J584	12A	Q792	8C	R596	10D	R683	11C	R802	9C	TP588	8B
C695	11C	CR787	10B	J694	11B	Q794	8A	R597	9D	R684	10C	R803	9C	TP802	7B
C698	12B	CR788	10B	J824	12A	Q796	8A	R598	9D	R685	10B	R804	8D	TP826	10B
C729	2B	CR792	9B			Q798	9C	R599	10D	R686	10C	R805	8C		
C795	9B	CR793	9B	L572	7D	Q802	7A	R600	9D	R687	11C	R806	8C	U600	9D
C798	9C	CR794	8C	L574	7D	Q804	8A	R601	9D	R688	11C	R807	8D		
C803	10B	CR795	9B	L584	11A	Q824	11A	R602	9D	R689	11C	R808	8D	VR647	2F
C819	7C	CR796	9B	L794	8B	Q826	10B	R603	8D	R692	11B	R809	7C	VR608	8E
C825	12B	CR797	9B					R604	9E	R693	12C	R810	8D	VR796	8C
C826	11B	CR799	9C	P644	3F	R571	7C	R607	7D	R694	11B	R811	7B	VR798	9C
		CR801	8B			R572	7C	R609	9E	R695	11C	R812	8B		
CR582	11B	CR802	9C	Q572	7D	R574	8D	R611	8E	R696	12C	R813	8B		
CR584	11B	CR806	7B	Q574	7D	R575	8D	R612	8E	R697	11C	R814	2B		



GRID LOCATOR

Diagrams-475

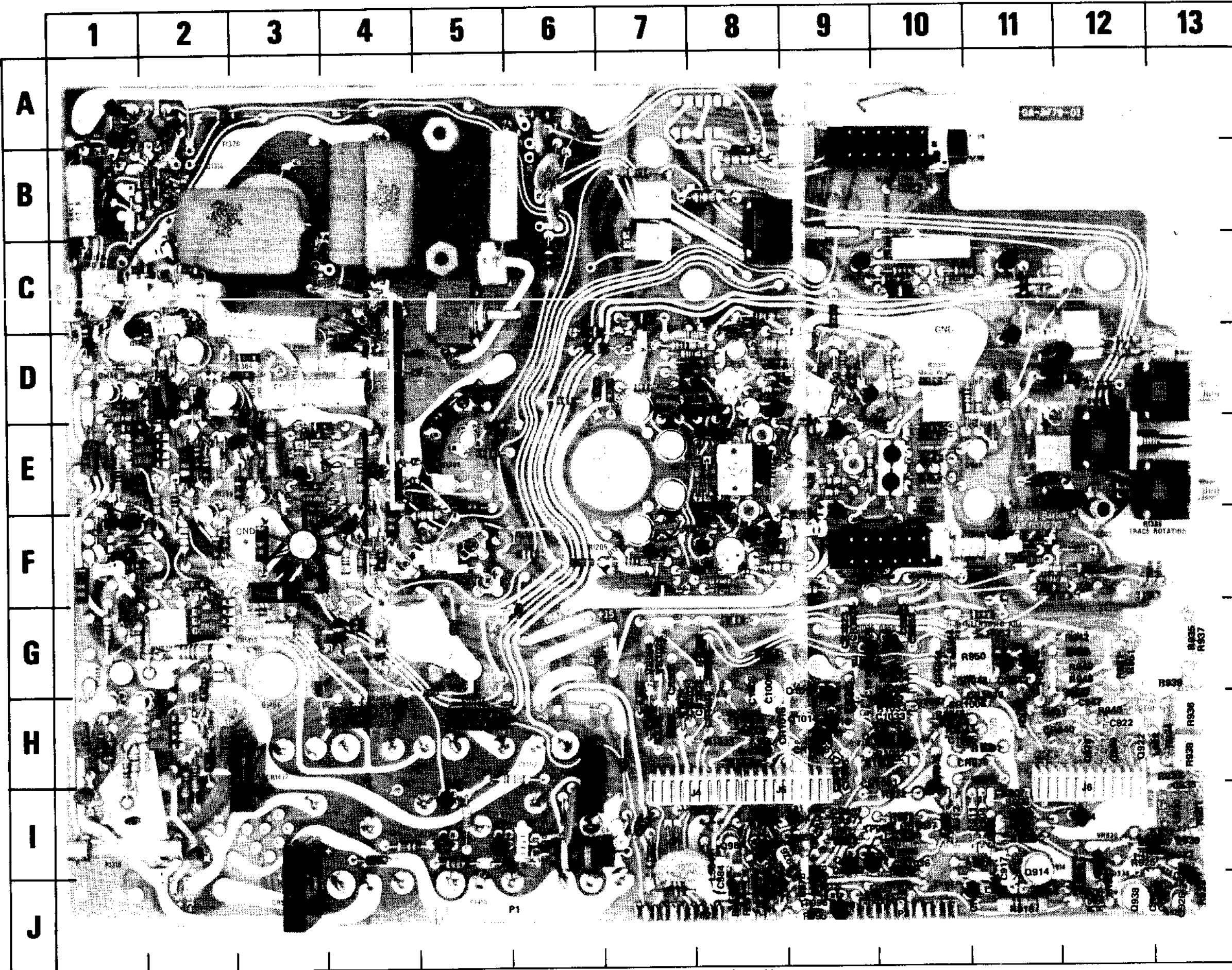
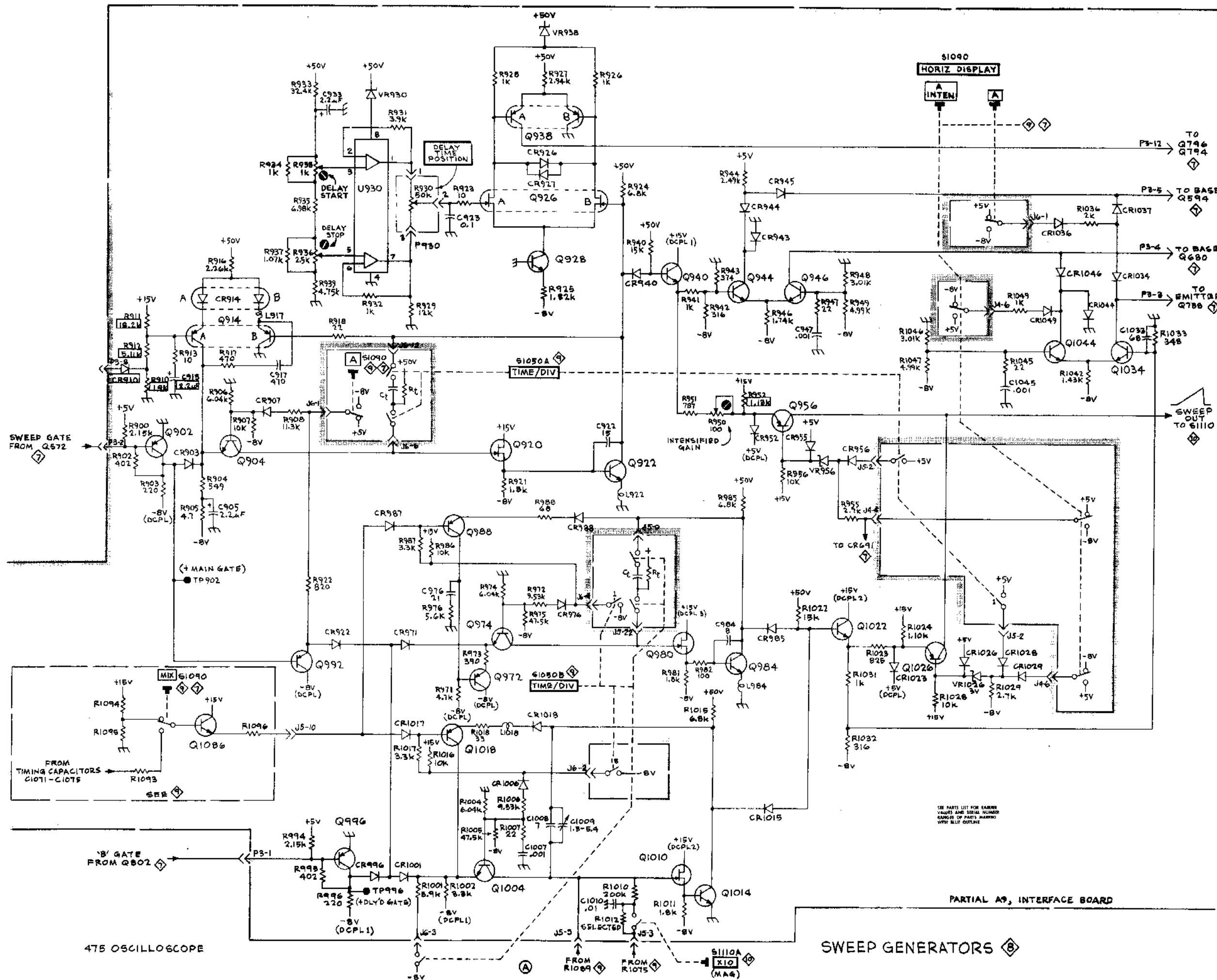


Fig. 7-15. A9 Interface circuit board.

CKT NO	GRID LOC	CKT NO	GRID LOC	CKT NO	GRID LOC	CKT NO	GRID LOC	CKT NO	GRID LOC	CKT NO	GRID LOC	CKT NO	GRID LOC	CKT NO	GRID LOC
C905	11I	CR945	10H	J4	7I	Q970	12H	R911	11I	R941	12G	R994	9J	R1046	10H
C913	10I	CR952	10G	J5	8I	Q972	8I	R912	10I	R942	12G	R995	9J	R1047	10H
C917	11J	CR955	10G	J6	12I	Q974	9I	R913	10I	R943	11G	R996	9J	R1049	10H
C922	12H	CR956	7G			Q980	8I	R916	11J	R944	10G	R1001	11H		
C923	13I	CR971	9I	L917	11J	Q984	8I	R917	10I	R946	12G	R1002	9H	S1110	9F
C933	13I	CR976	10H	L922	13H	Q988	9I	R918	11J	R947	12H	R1004	9G		
C947	12H	CR985	9I	L984	8J	Q992	9I	R921	11H	R948	12G	R1005	10G	TP902	9I
C976	9I	CR987	9I	L1018	9H	Q996	9J	R922	10I	R949	12G	R1006	10G	TP996	9J
C1007	10H	CR988	9I			Q1004	9H	R923	13J	R950	10G	R1007	10H		
C1008	8H	CR996	9J	P1	5J	Q1010	9G	R924	12J	R951	12G	R1010	9G	U930	13I
C1009	8H	CR1001	9I	P2	8J	Q1014	9H	R925	12I	R953	11G	R1011	8G		
C1010	9H	CR1006	10H	P3	10J	Q1018	9H	R926	12J	R955	7H	R1015	8H	VR930	12I
C1033	10H	CR1015	8H	P930	13I	Q1022	8H	R927	12J	R956	7H	R1016	11H	VR938	12J
C1045	10H	CR1017	9I			Q1026	9G	R928	12J	R971	8J	R1017	9H	VR956	7G
		CR1018	9H	Q902	9I	Q1034	9H	R929	12I	R972	10I	R1018	9H	VR1026	7G
CR903	11I	CR1023	9G	Q904	12I	Q1044	10H	R931	13I	R973	8I	R1022	8H		
CR907	11I	CR1026	9G	Q914	11I			R932	12I	R974	8J	R1023	8H		
CR914	11I	CR1028	8H	Q922	12H	R900	10J	R933	13H	R975	8J	R1024	7H		
CR922	9I	CR1029	7H	Q926	13J	R902	9I	R934	13H	R976	9J	R1028	7H		
CR926	12J	CR1034	10I	Q928	13J	R903	9I	R935	13G	R981	8J	R1029	8G		
CR927	13J	CR1036	10I	Q938	12J	R904	11I	R936	13H	R982	8J	R1031	8H		
CR940	11H	CR1037	10I	Q940	12H	R905	11I	R937	13G	R985	8J	R1032	10H		
CR943	11G	CR1044	10G	Q944	11G	R906	11I	R938	13H	R986	11H	R1033	10H		
CR944	10G	CR1046	11H	Q946	11G	R907	11I	R939	13G	R987	10I	R1042	10H		
		CR1049	8H	Q956	10G	R908	11I	R940	12H	R988	8I	R1045	10H		

Fig. 7-15. P/O A9 Interface circuit board assembly.

(A)



SEE PARTS LIST FOR EXACT
VALUES AND SERIAL NUMBER
RANGES OF PARTS MARKED
WITH BLUE OUTLINE

475 OSCILLOSCOPE

PARTIAL A9, INTERFACE BOARD

SWEEP GENERATORS

6110A
X10
(MAG)

GRID LOCATOR

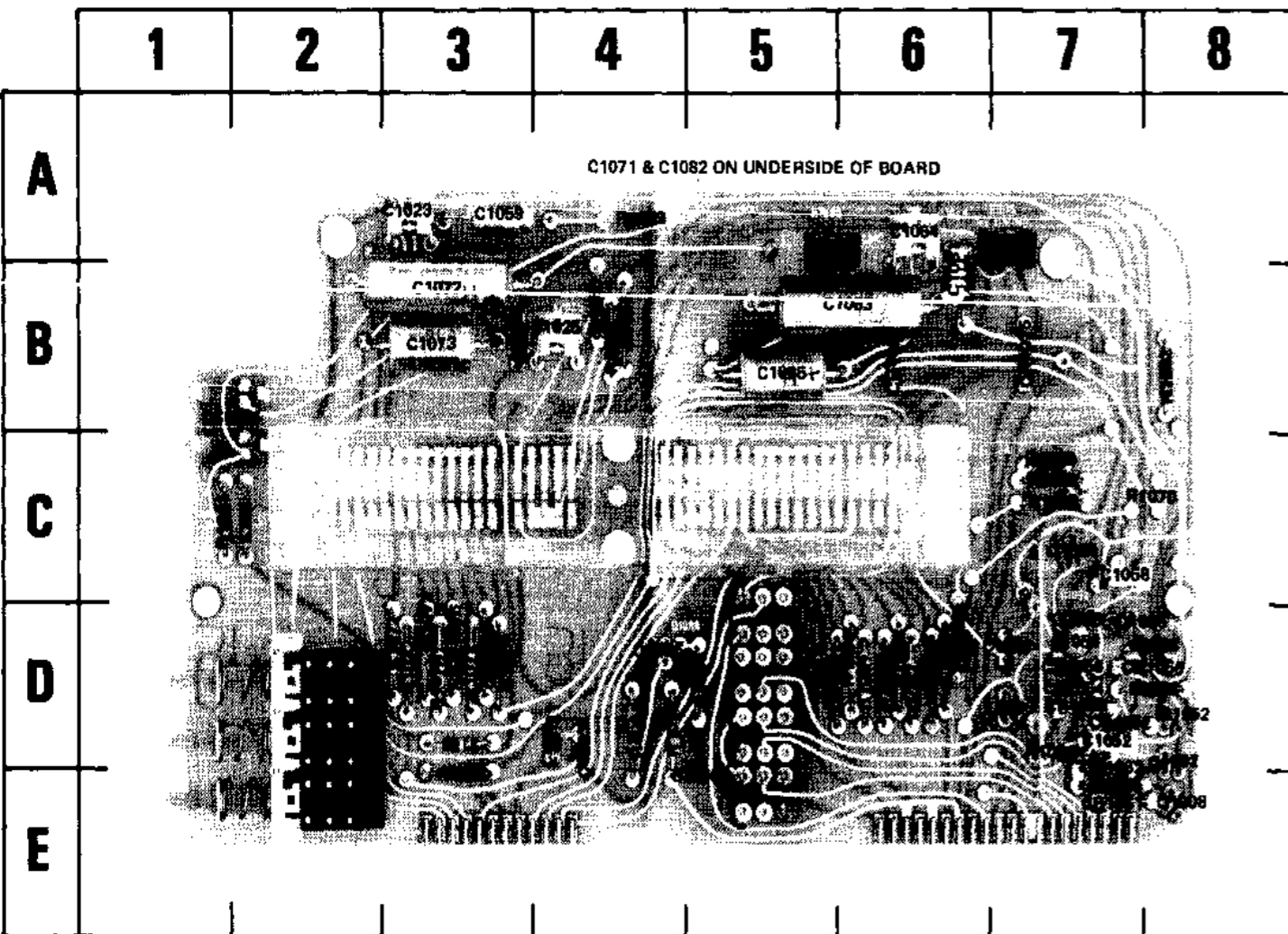


Fig. 7-16. P/O A7 Timing circuit board.

Fig. 7-16. A7 Timing circuit board.

CKT NO	GRID LOC	CKT NO	GRID LOC	CKT NO	GRID LOC	CKT NO	GRID LOC	CKT NO	GRID LOC	CKT NO	GRID LOC	CKT NO	GRID LOC	CKT NO	GRID LOC
C1023	3A	C1073	3B	CR1056	7D	L1091	4D	R1050	7C	R1071	3D	R1081	6B	R1092	8B
C1025	4B	C1075	3B	CR1058	7D	L1093	7E	R1051	7D	R1072	3D	R1082	5D	R1093	4D
C1050	7C	C1081	6B	CR1060	7D			R1052	7D	R1073	3D	R1083	6D	R1094	4D
C1052	7D	C1083	5B	CR1061	7E	Q1002	8D	R1053	7C	R1074	3D	R1084	6D	R1095	4D
C1054	7C	C1085	5B	CR1062	7D	Q1008	8F	R1056	4B	R1075	7A	R1085	6D	R1096	5D
C1056	7D	C1091	4D	CR1075	7B	Q1052	8D	R1057	4B	R1076	3D	R1086	6D	R1097	6D
C1058	7C	C1093	7D	CR1097	6B	Q1054	7C	R1058	4B	R1077	3D	R1087	6D		
C1059	3A					Q1056	7D	R1059	4A	R1078	3D	R1088	6D	S1090	5E
C1084	6A	CR1052	7D	DS1091	1B	Q1058	7D	R1060	7D	R1079	3D	R1089	6D		
C1072	3B	CR1054	7D			Q1086	4D	R1070	7C	R1080	5A	R1091	1C		

GRID LOCATOR

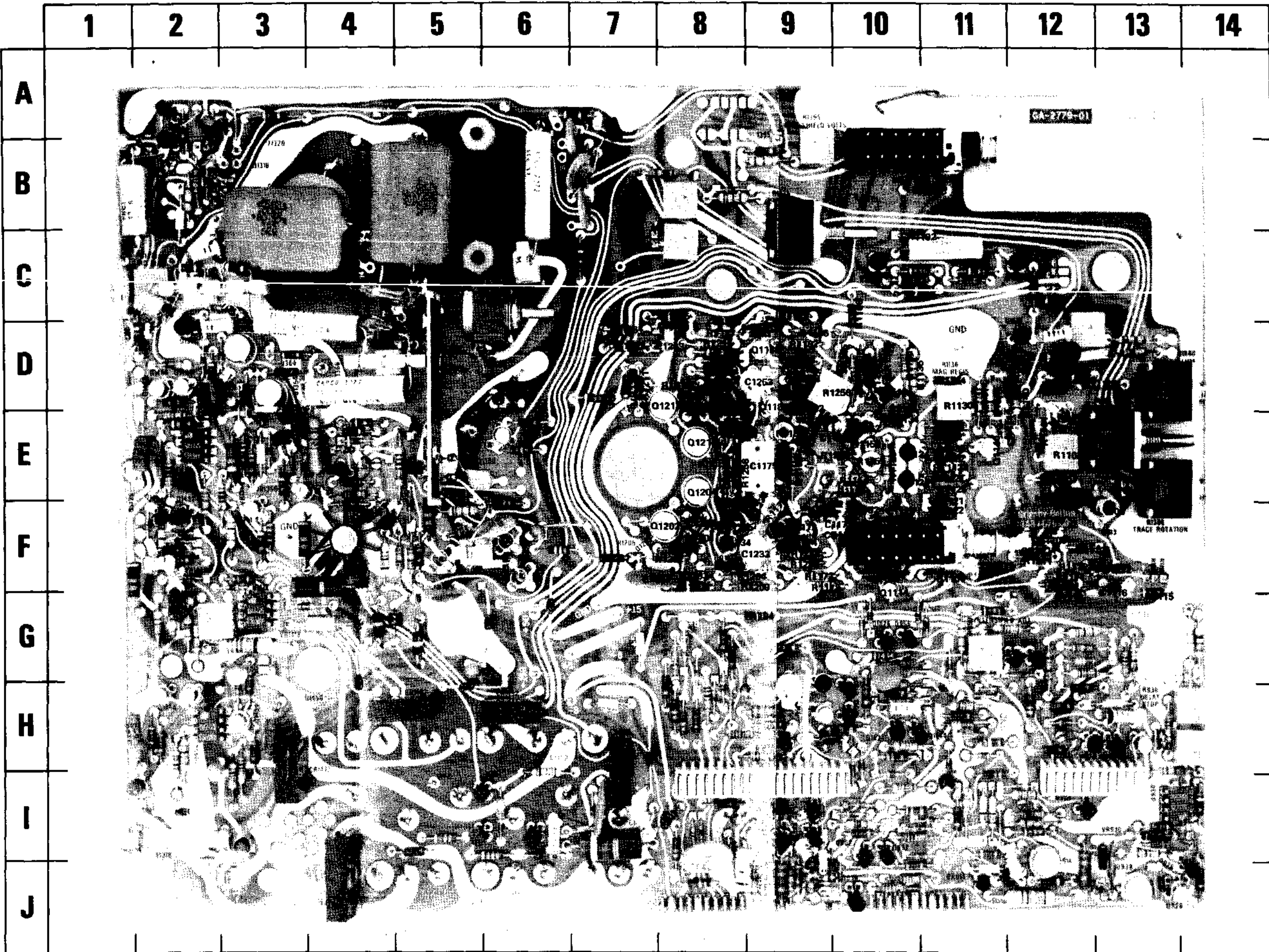
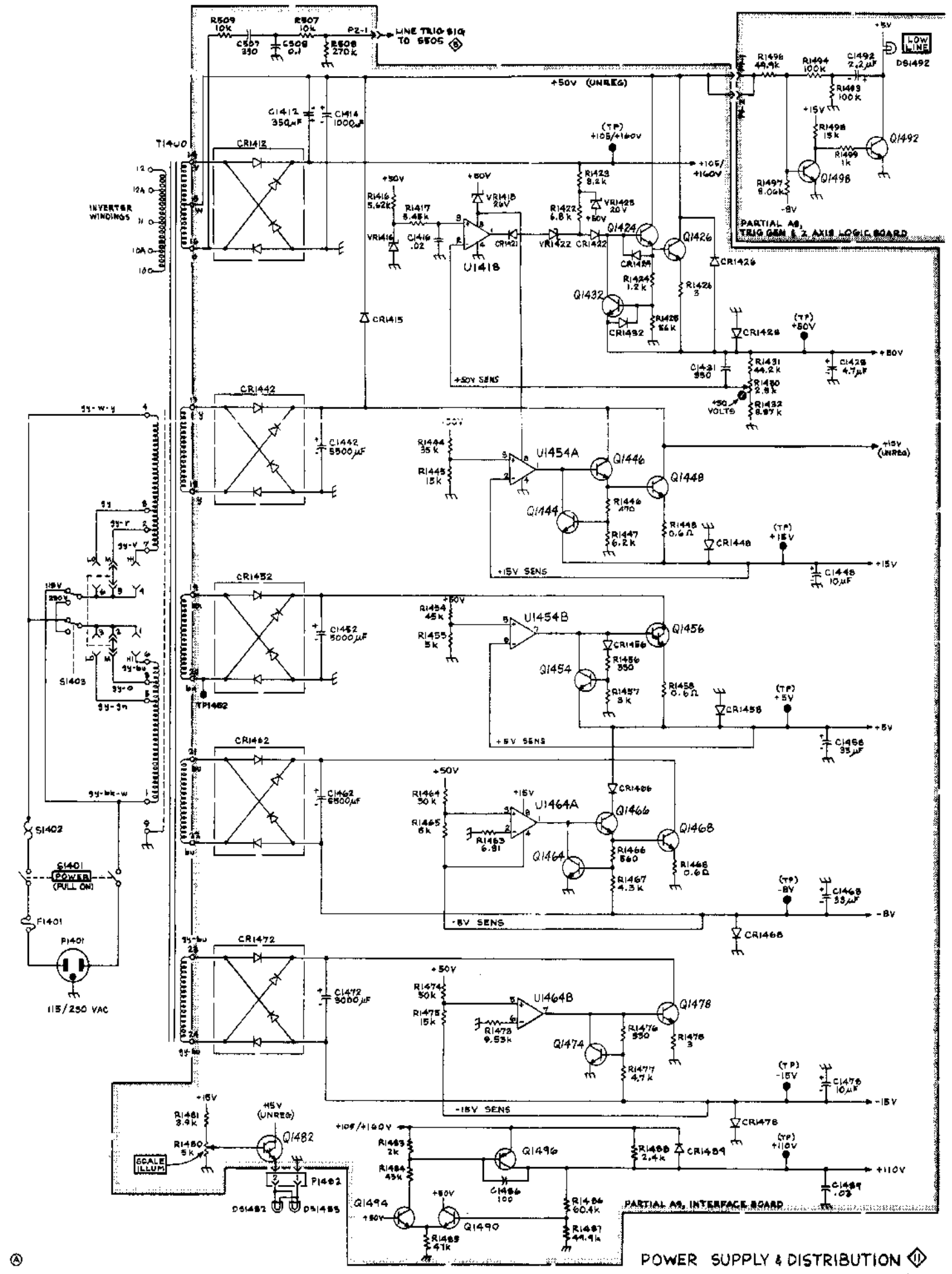
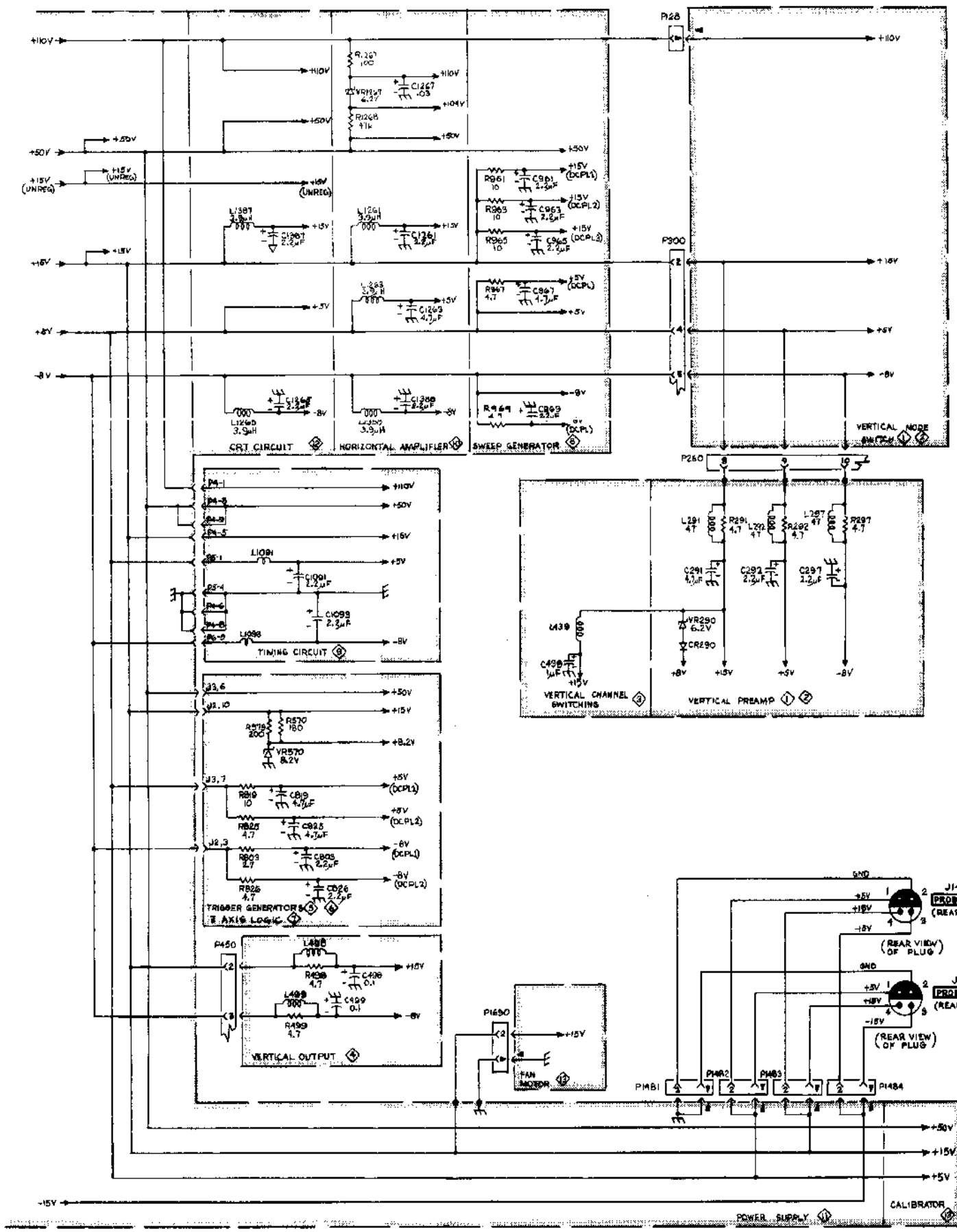


Fig. 7-17. A9 Interface circuit board.

CKT NO	GRID LOC	CKT NO	GRID LOC	CKT NO	GRID LOC	CKT NO	GRID LOC	CKT NO	GRID LOC	CKT NO	GRID LOC	CKT NO	GRID LOC	CKT NO	GRID LOC
C1103	12E	C1253	9D	K1103	12F	Q1172	9F	R1111	12F	R1138	11E	R1173	9F	R1234	8F
C1112	13F	C1261	8D			Q1174	9F	R1112	12F	R1140	12E	R1174	9F	R1235	8F
C1116	13F	C1263	8D	L1102	12E	Q1182	9D	R1113	11F	R1141	11E	R1182	9D	R1239	9F
C1124	10F	C1265	8D	L1103	13F	Q1184	9D	R1114	12F	R1142	11E	R1183	9C	R1253	9D
C1134	10D	C1267	7F	L1209	8F	Q1188	9D	R1115	13G	R1152	9F	R1184	9D	R1254	8D
C1140	12D			L1231	8F	Q1202	7F	R1116	12G	R1153	9E	R1185	9E	R1255	8D
C1152	9F	CR1102	10C	L1232	9F	Q1204	8E	R1117	12F	R1154	10E	R1186	9D	R1256	9D
C1162	9E	CR1103	12F	L1251	8E	Q1212	8D	R1121	11E	R1155	10E	R1187	8D	R1257	9E
C1171	9F	CR1104	12F	L1261	7D	Q1214	8E	R1122	11E	R1156	10E	R1188	8D	R1258	8E
C1178	9E	CR1111	12F	L1263	7D	Q1233	8F	R1124	10F	R1159	10E	R1189	8D	R1259	9E
C1179	9E	CR1121	11E	L1265	8C	Q1234	8F	R1125	10E	R1162	9E	R1201	8F	R1267	7F
C1187	9D	CR1122	11F			Q1254	8D	R1126	10D	R1163	10D	R1202	7F	R1268	7D
C1201	8F	CR1140	12E	Q1114	10F			R1128	11E	R1164	11D	R1203	8F		
C1205	8F	CR1164	10D	Q1124	10E	R1101	12E	R1130	11D	R1165	10D	R1204	8F	RT1123	11E
C1211	8D	CR1164	10D	Q1134	10E	R1102	12E	R1131	11E	R1166	10D	R1209	8F		
C1212	8D	CR1183	9D	Q1140	11E	R1104	9G	R1132	11E	R1167	10D	R1211	7D	S1110	10F
C1216	8E	CR1237	8E	Q1152	10F	R1106	11F	R1134	10E	R1168	11B	R1212	8D		
C1231	8F			Q1162	10E	R1107	10F	R1135	10D	R1169	10D	R1216	8D	VR1216	9D
C1251	8E	J1101	12E	Q1164	10D	R1108	10F	R1137	8E	R1172	9F	R1233	9F	VR1267	7D

Fig. 7-17. P/O A9 Interface circuit board.



GRID LOCATOR

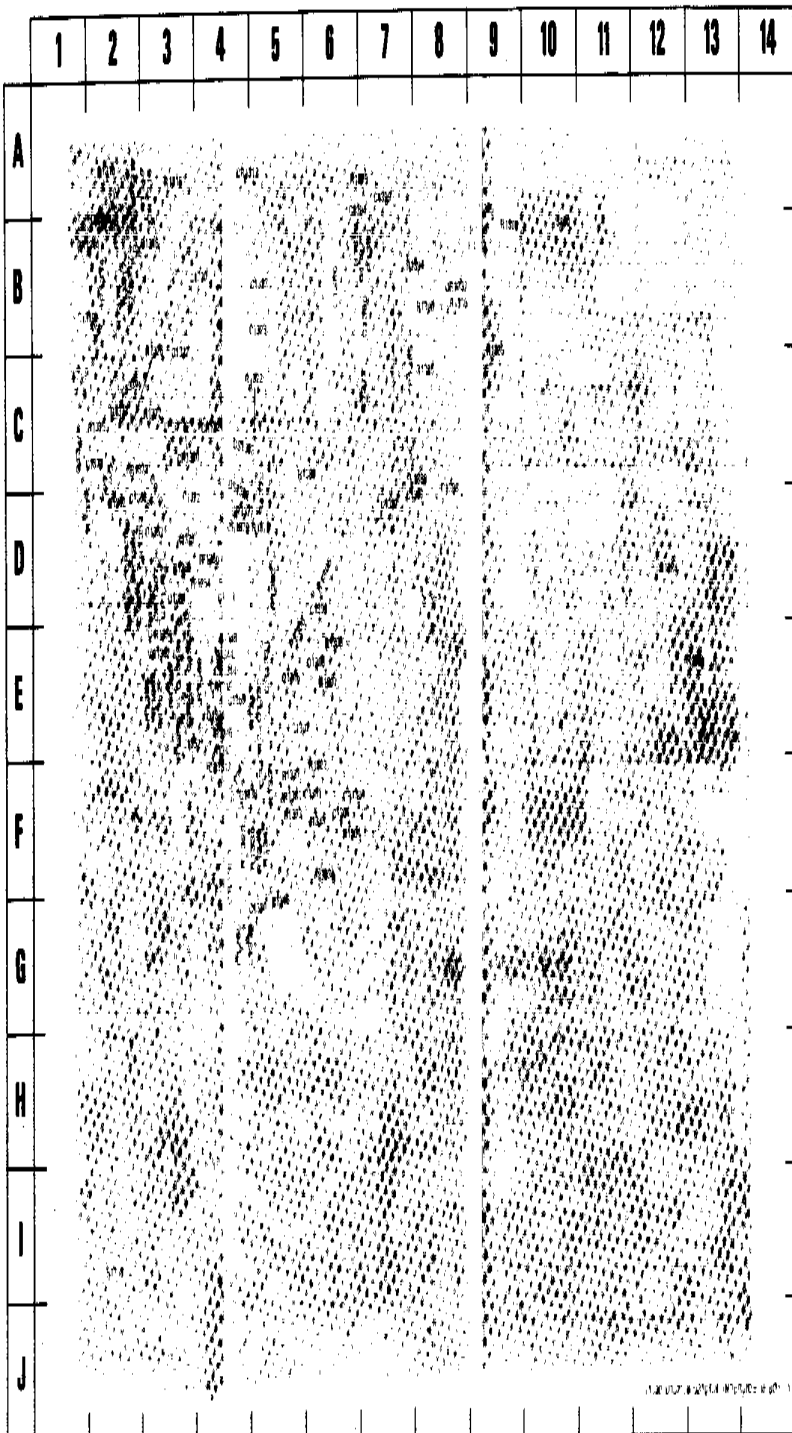
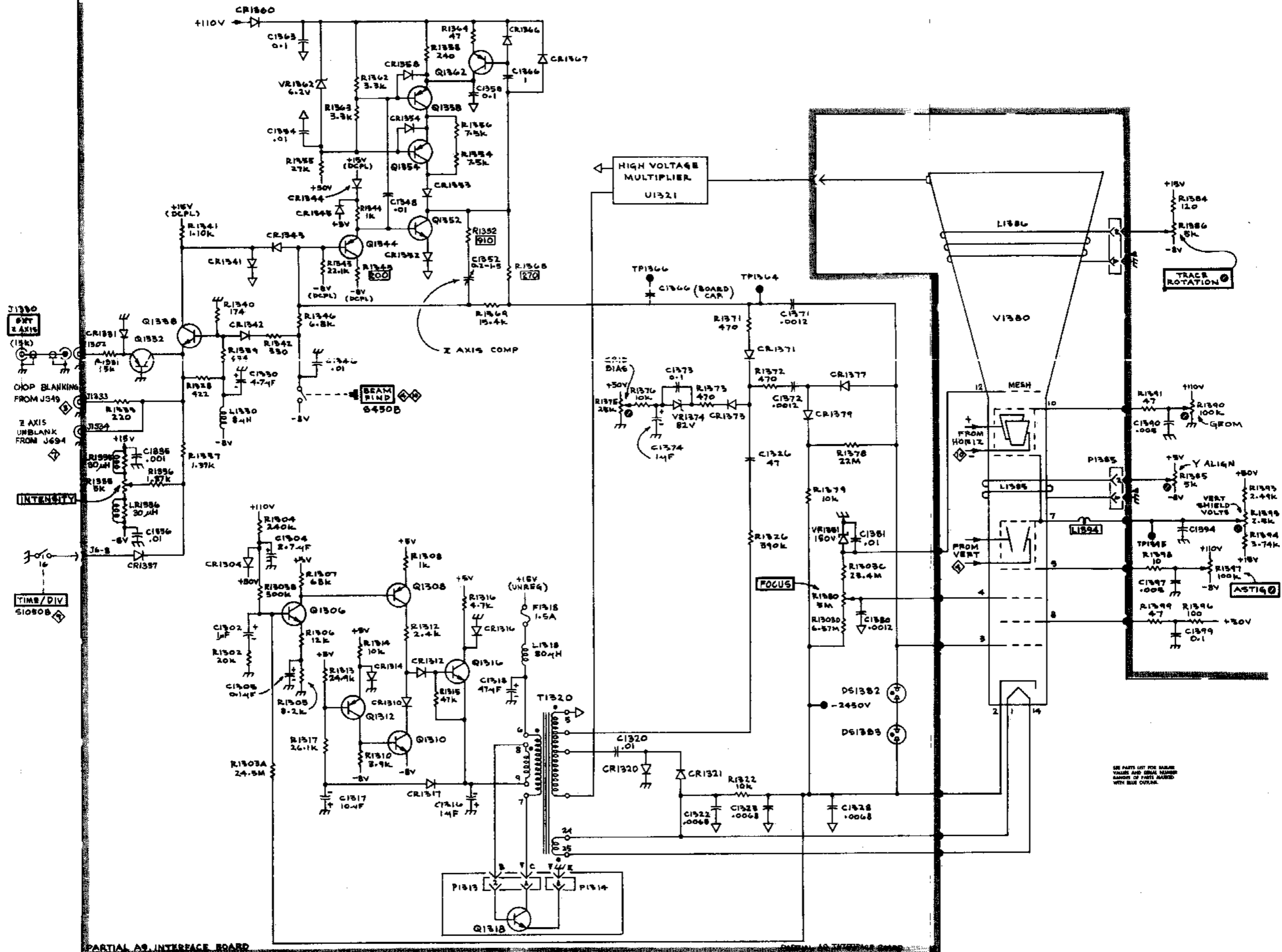


Fig. 7-19. Interface circuit board.

CKT NO	GRID/CKT LOC	GRID/CKT LOC	GRID/CKT LOC	GRID/CKT LOC	GRID/CKT LOC	GRID/CKT LOC	GRID/CKT LOC	GRID/CKT LOC	GRID/CKT LOC						
C1285	4E	C1371	4D	CR1321	4C	DS1382	4C	Q1316	3B	R1319	2B	R1326	3E	R1381	7B
C1302	5E	C1372	3D	CR1331	5E	DS1383	4C	Q1322	5E	R1318	3A	R1336	3D	R1383	9B
C1304	6F	C1373	2C	CR1337	8B			Q1328	4F	R1317	2B	R1338	3E	R1384	7B
C1305	6D	C1374	1C	CR1341	4F	F1310	11	Q1344	4E	R1323	4C	R1382	3E	R1385	9B
C1316	5A	C1380	8B	CR1342	8F			Q1352	3D	R1328	3B	R1383	3E	R1386	9B
C1317	2A	C1381	8F	CR1343	4F	J1333	8F	Q1354	3D	R1328	4F	R1384	2D	R1387	13E
C1318	1B	C1387	7D	CR1344	4E	J1334	8F	Q1358	3E	R1331	5F	R1388	3D	R1388	9B
C1320	3B	C1388	8C	CR1345	4E			Q1362	2D	R1332	5F	R1389	4E	R1389	6A
C1322	3B	C1390	7B	CR1352	2D	L1385	4G			R1335	9C	R1371	3D		
C1323	5B	C1394	6A	CR1363	3D	L1390	4G	R1382	6F	R1338	8B	R1373	3C	S60	10B
C1326	2C	C1397	7B	CR1364	2E	L1387	7D	R1383	5D	R1337	5F	R1374	2C		
C1328	5B	C1399	7A	CR1369	3E	L1388	7C	R1384	6F	R1338	5F	R1375	2C	TP1354	4D
C1330	5G			CR1380	4F			R1385	8D	R1340	5F	R1376	2D	TP1356	4D
C1340	5G	CR1384	6F	CR1386	2D	P1385	7C	R1386	5E	R1341	5E	R1378	5D	TP1365	5A
C1340	5E	CR1310	2A	CR1387	3D	P1386	13C	R1387	6E	R1342	5F	R1379	5D		
C1352	5E	CR1312	4A	CR1371	3C			R1388	6E	R1343	4E	R1380	5C	VR1362	2E
C1354	2D	CR1314	1B	CR1377	4D	Q1386	6E	R1310	2B	R1344	4E	R1381	12D	VR1374	2C
C1354	3E	CR1316	3A	CR1378	4D	Q1388	6E	R1312	7C	R1345	4E	R1382	8C	VR1381	5F
C1363	2D	CR1317	2B			Q1310	2A	R1313	2B	R1346	4E	R1383	13E		
C1365	2D	CR1320	3C			Q1312	2A	R1314	2B	R1354	3E	R1380	8B		

Fig. 7-19. Interface circuit board.



PARTIAL A9 INTERFACE BOARD

SEE PARTS LIST FOR NAME
VALUES AND SERIAL NUMBER
RANGES OF PARTS MARKED
WITH BLUE OUTFLINE

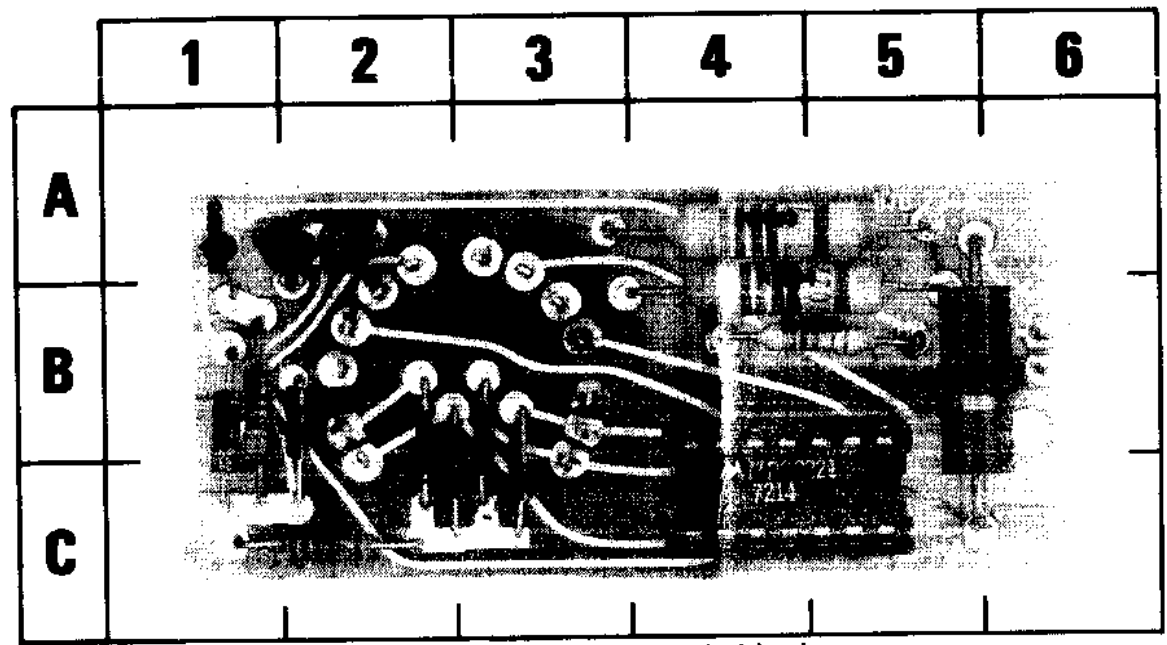


Fig. 7-20. A6 Fan Motor circuit board.

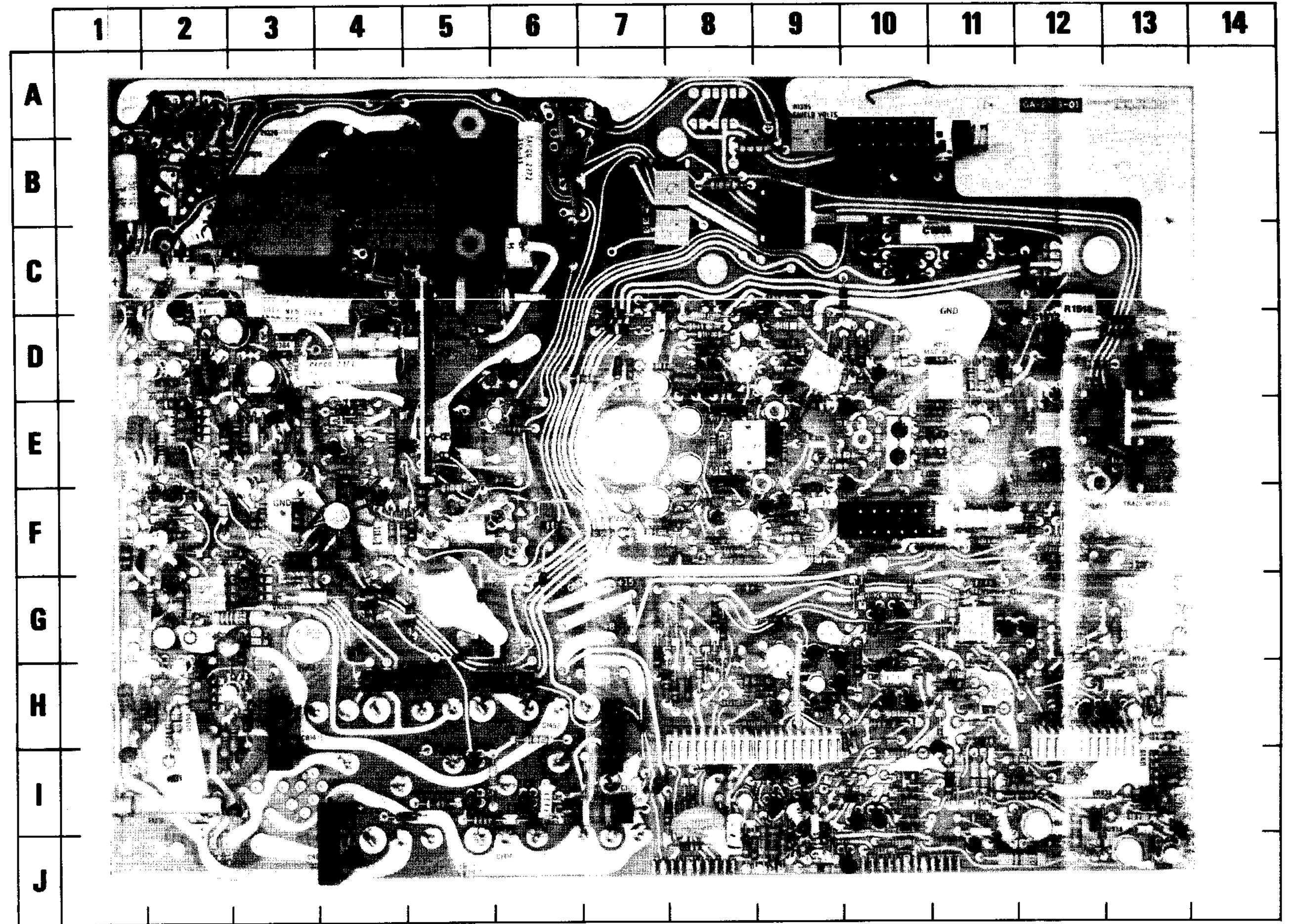


Fig. 7-21. P/O A6 Interface circuit board.

Fig. 7-20. A6 Fan Motor circuit board.

CKT NO	GRID LOC	CKT NO	GRID LOC	CKT NO	GRID LOC
B1690	2B	Q1698	1A	RT1696	1A
C1698	2A	R1691	5B	U1690	4C
		R1692	4B		
CR1691	3C	R1693	4A		
CR1692	2C	R1694	4B		
CR1694	2C	R1695	1B		
CR1696	3C	R1697	2C		
CR1699	2B	R1698	1B		

Fig. 7-21. Interface circuit board.

CKT NO	GRID LOC	CKT NO	GRID LOC
C1505	10C	Q1512	11C
C1511	12D		
C1512	12D	R1501	10C
		R1502	10C
		R1503	11C
L1511	10C	R1504	11C
		R1506	12C
		R1515	12C
Q1502	10C	R1516	13D
Q1504	11C	R1517	13D

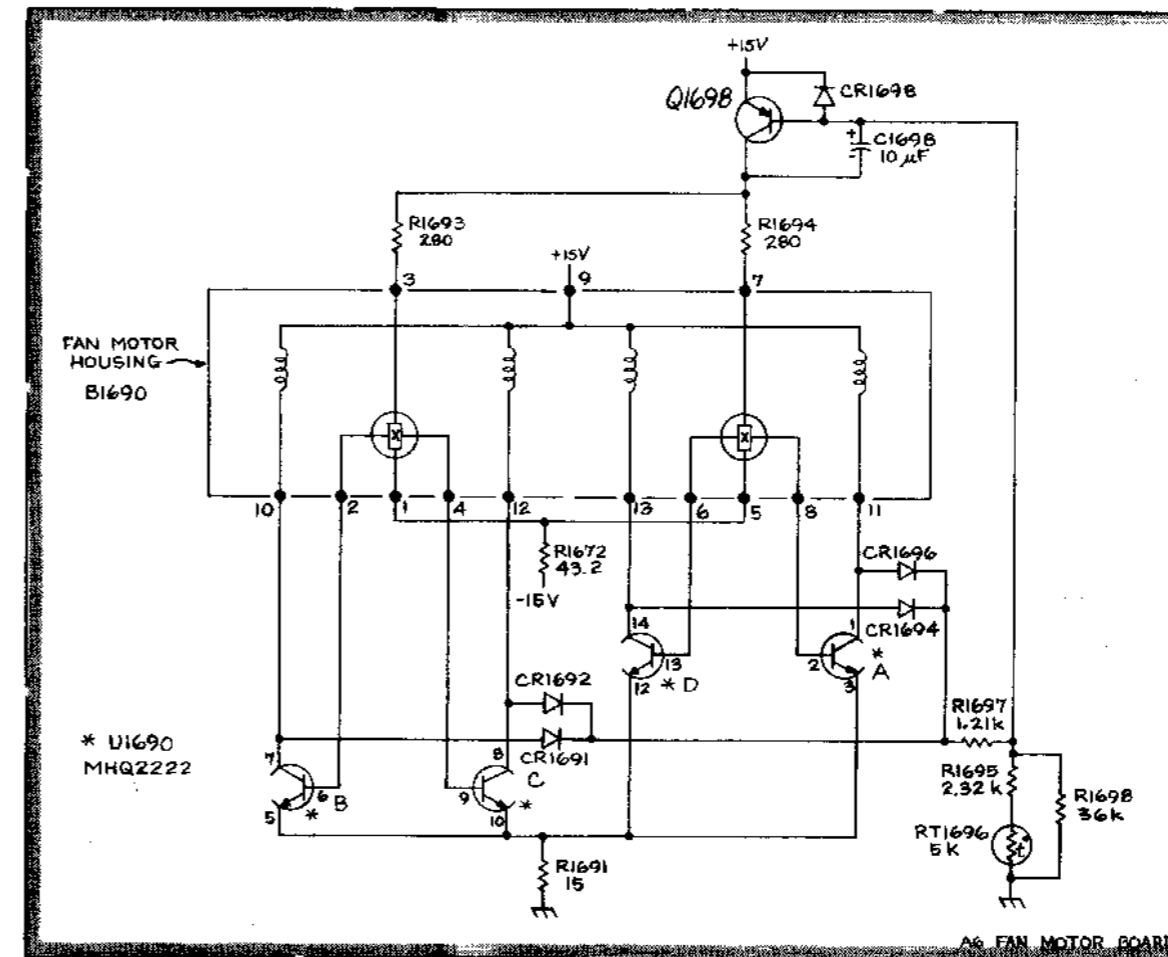
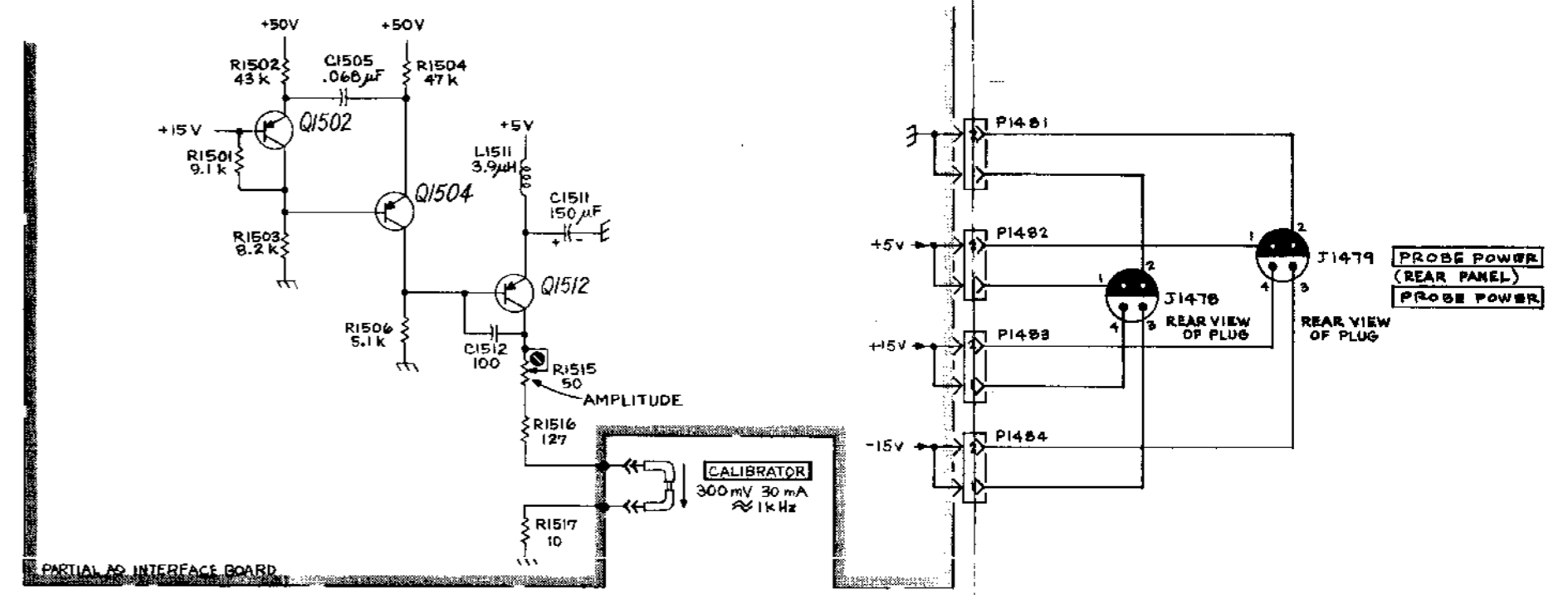
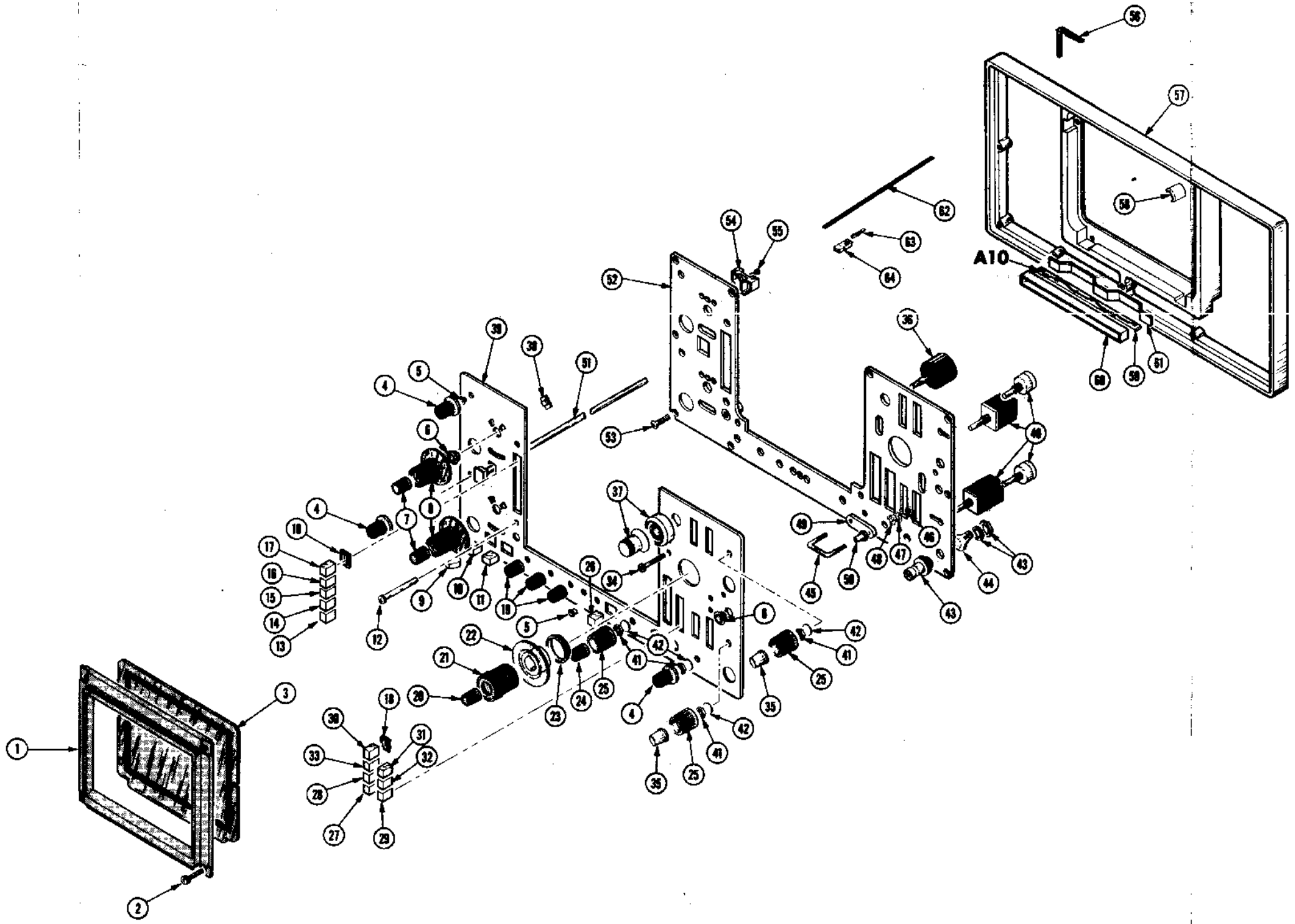
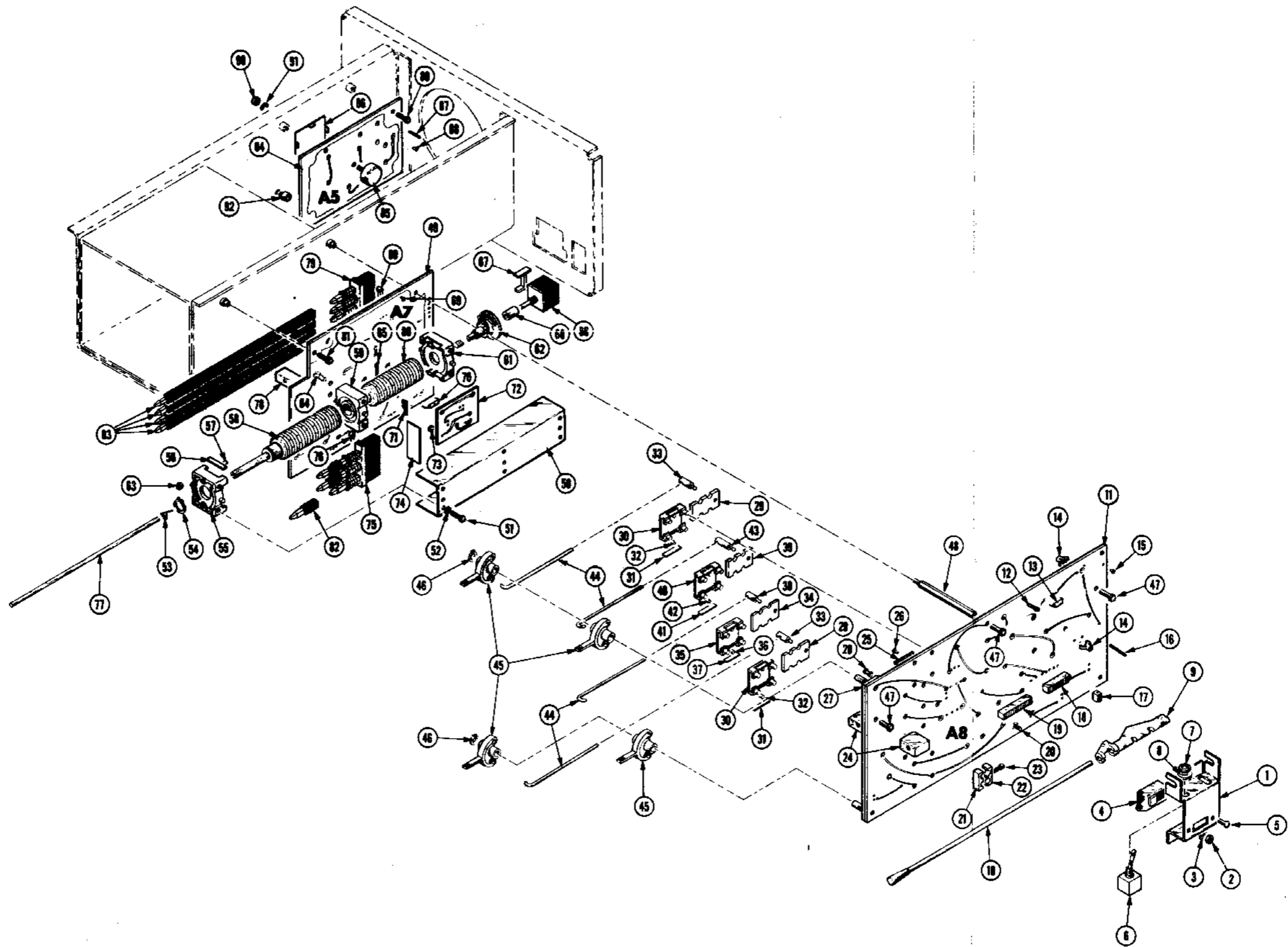
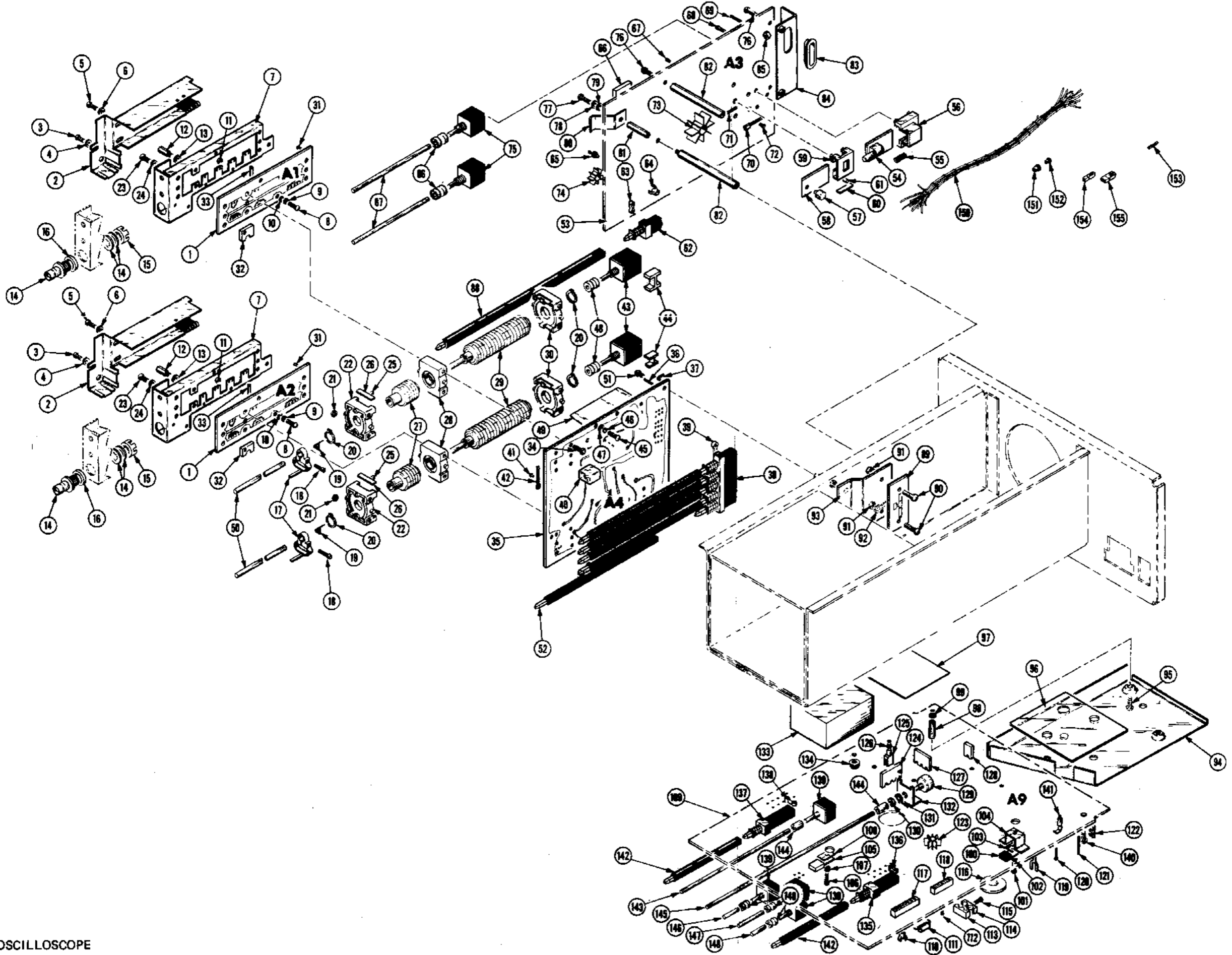


FIG. 1 FRONT PANEL







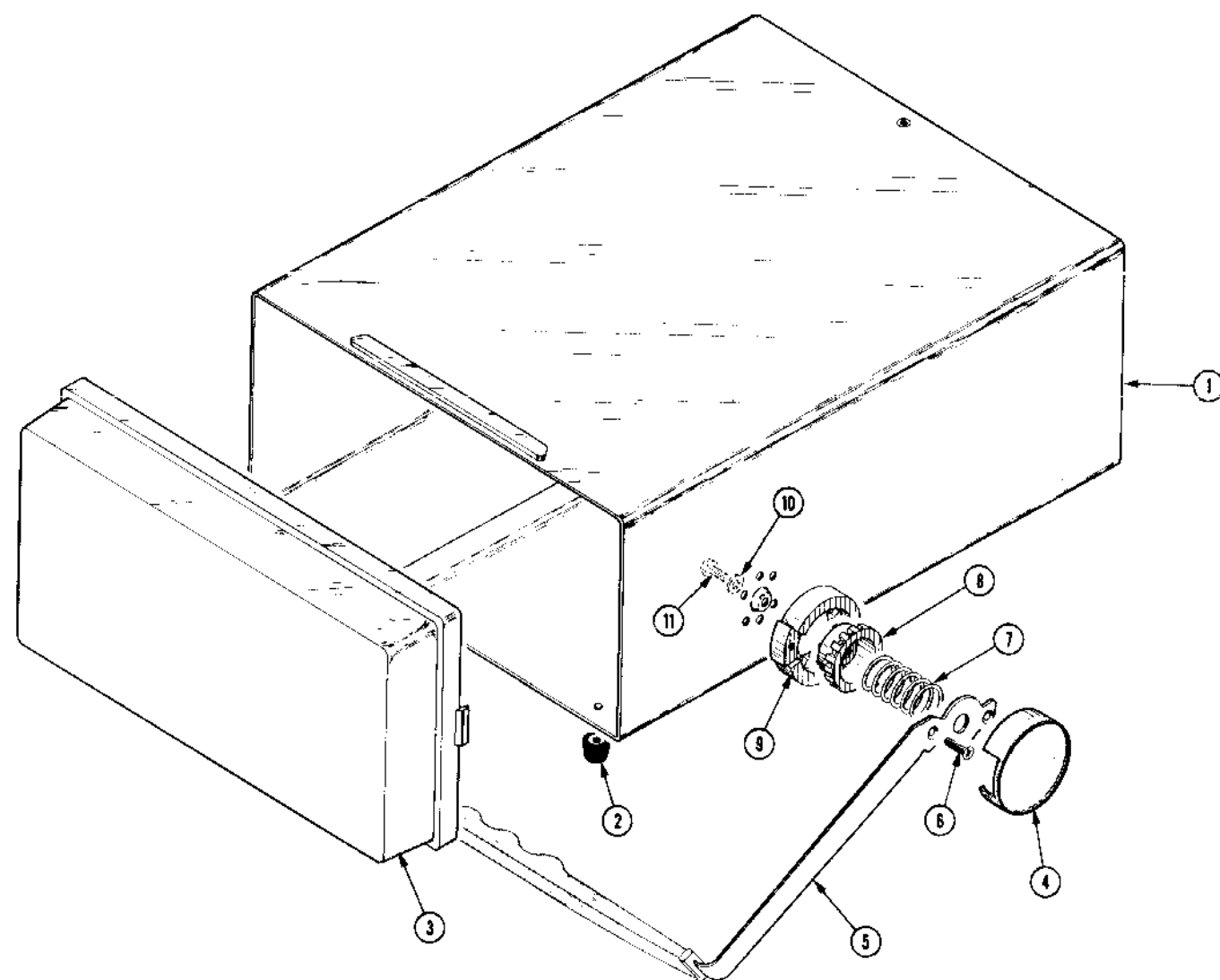


FIG. 5 CABINET

ACCESSORIES

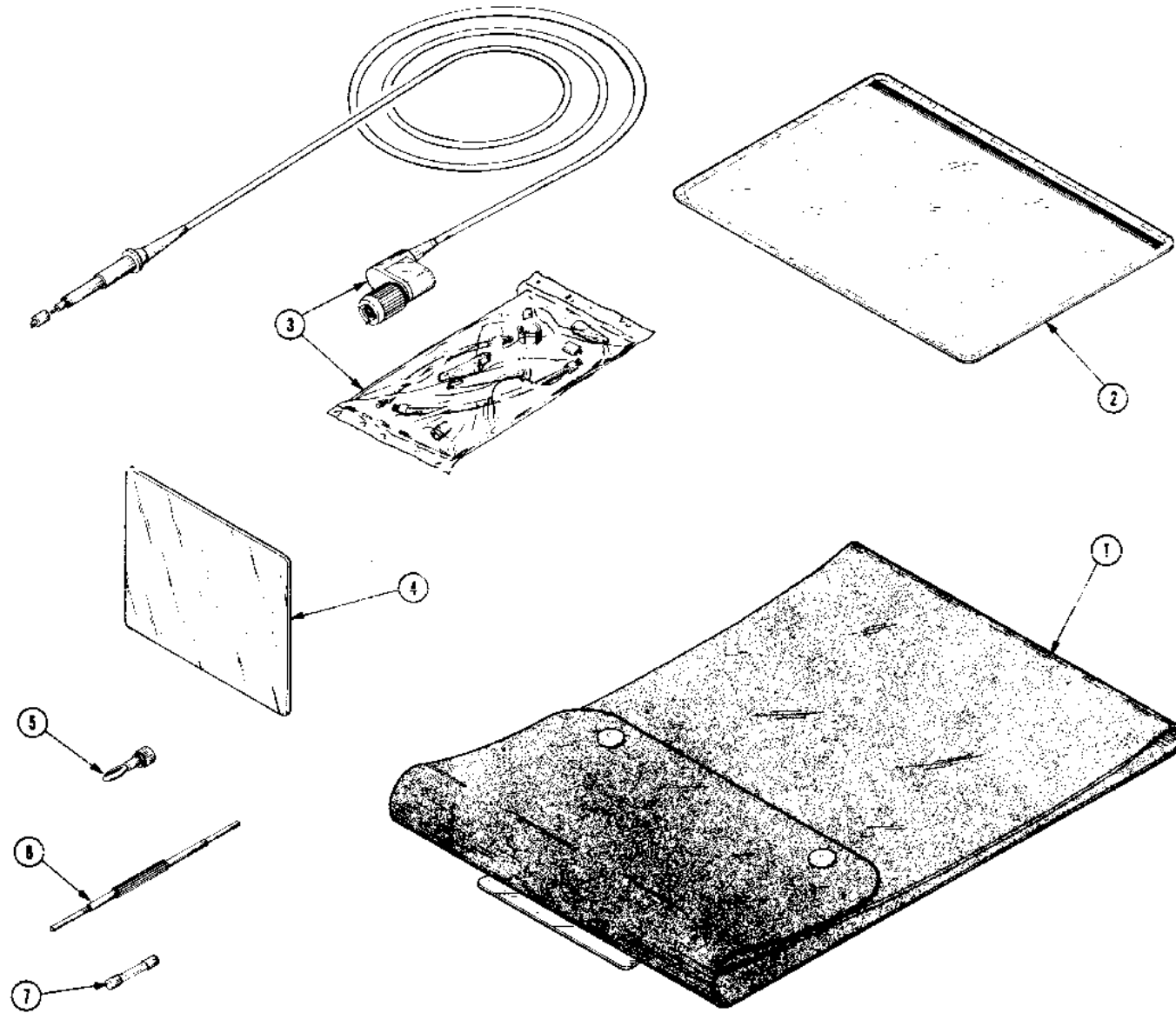


Fig. & Index No.	Tektronix Part No.	Serial/Model No. Eff	Dscont	Qty	1	2	3	4	5	Name & Description
6-1	016-0535-02			1						POUCH, ACCESSORY, W/HARDWARE
-2	016-0537-00			1						POUCH, ACCESSORY, W/ZIPPER
-3	010-6075-03	B010100	B165019	2						PROBE PACKAGE
	010-6075-13	B165020		2						PROBE PACKAGE
-4	337-1674-01			1						SHIELD, IMPOLSION, CLEAR
-5	134-0016-01			1						PLUG, TIP, W/BINDING POST
-6	003-0301-00			1						TOOL, ALIGNMENT
-7	159-0016-00			2						FUSE, 1.5A, FAST-BLO
	159-0042-00			1						FUSE, 0.75A, FAST-BLO
	070-1332-00			1						MANUAL, INSTRUCTION (NOT SHOWN)
	070-1333-00			1						MANUAL, OPERATORS (NOT SHOWN)

REPACKAGING

Fig. & Index No.	Tektronix Part No.	Serial/Model No. Eff	Dscont	Qty	1	2	3	4	5	Name & Description
7-	065-0185-01			1						CARTON ASSEMBLY
	-----			-						CARTON ASSEMBLY INCLUDES:
	004-0685-00			1						. BOX, ACCESSORY
	004-0812-00			1						. BOX
	004-1227-00			1						. PROTECTOR, FRONT, EPS
	004-1228-00			1						. CASE HALF, EPS
	004-1235-00			1						. PROTECTOR, REAR, EPS

FIG. 6 & 7 ACCESSORIES & REPACKAGING

RECOMMENDED CHANGES TO EQUIPMENT TECHNICAL MANUALS



SOMETHING WRONG WITH THIS MANUAL?

THEN... JOT DOWN THE DOPE ABOUT IT ON THIS FORM, TEAR IT OUT, FOLD IT AND DROP IT IN THE MAIL!

FROM: (YOUR UNIT'S COMPLETE ADDRESS)

Commander
Stateside Army Depot
ATTN: AMSTA-US
Stateside, N.J. 07703

DATE 10 July 1975

PUBLICATION NUMBER

TM 11-5840-340-12

DATE

23 Jan 74

TITLE

Radar Set AN/PSC-76

BE EXACT... PIN-POINT WHERE IT IS

IN THIS SPACE TELL WHAT IS WRONG AND WHAT SHOULD BE DONE ABOUT IT:

PAGE NO.	PARA-GRAPH	FIGURE NO.	TABLE NO.
----------	------------	------------	-----------

2-25	2-28		
3-10	3-3		3-1
5-6	5-8		
		FO3	

Recommend that the installation antenna alignment procedure be changed through to specify a 2° IFF antenna lag rather than 1°.

REASON: Experience has shown that with only a 1° lag, the antenna servo system is too sensitive to wind gusting in excess of 15 knots, and has a tendency to rapidly accelerate and decelerate as it hunts, causing strain to the drive train. Hunting is minimized by adjusting the lag to 2° without degradation of operation.

3-10 3-3

3-1 Item 5, Function column. Change "2 db" to "3db."

REASON: The adjustment procedure for the TRANS POWER FAULT indicator calls for a 3 db (500 watts) adjustment to light the TRANS POWER FAULT indicator.

5-6 5-8

Add new step f.1 to read, "Replace cover plate removed in step e.1, above."

REASON: To replace the cover plate.

FO3

Zone C 3. On J1-2, change "+24 VDC to "+5 VDC."

REASON: This is the output line of the 5 VDC power supply. + 24 VDC is the input voltage.

TEAR ALONG DOTTED LINE

TYPED NAME, GRADE OR TITLE, AND TELEPHONE NUMBER

SSG I. M. DeSpirito 999-1776

SIGN HERE:

SSG I. M. DeSpirito

DA FORM 2028-2
1 AUG 74

P.S.—IF YOUR OUTFIT WANTS TO KNOW ABOUT YOUR MANUAL "FIND," MAKE A CARBON COPY OF THIS AND GIVE IT TO YOUR HEADQUARTERS.

RECOMMENDED CHANGES TO EQUIPMENT TECHNICAL MANUALS



SOMETHING WRONG WITH THIS MANUAL?

THEN...JOT DOWN THE DOPE ABOUT IT ON THIS FORM, TEAR IT OUT, FOLD IT AND DROP IT IN THE MAIL!

FROM: (YOUR UNIT'S COMPLETE ADDRESS)

DATE

PUBLICATION NUMBER

TM 11-6625-2735-14

DATE

26 MAR 79

TITLE

Oscilloscope OS-261/U

BE EXACT...PIN-POINT WHERE IT IS

IN THIS SPACE TELL WHAT IS WRONG AND WHAT SHOULD BE DONE ABOUT IT:

PAGE NO.	PARA-GRAPH	FIGURE NO.	TABLE NO.
----------	------------	------------	-----------

TEAR ALONG DOTTED LINE

TYPED NAME, GRADE OR TITLE, AND TELEPHONE NUMBER

SIGN HERE:

DA FORM 2028-2
1 AUG 74

P.S.--IF YOUR OUTFIT WANTS TO KNOW ABOUT YOUR MANUAL "FIND," MAKE A CARBON COPY OF THIS AND GIVE IT TO YOUR HEADQUARTERS.

FILL IN YOUR
UNIT'S ADDRESS

FOLD BACK

DEPARTMENT OF THE ARMY

OFFICIAL BUSINESS

Commander
US Army Communications and
Electronics Materiel Readiness Command
ATTN: DRSEL-ME-MQ
Fort Monmouth, New Jersey 07703

FOLD BACK

TEAR ALONG DOTTED LINE

FILL IN YOUR
UNIT'S ADDRESS



FOLD BACK

DEPARTMENT OF THE ARMY

OFFICIAL BUSINESS

Commander
US Army Communications and
Electronics Materiel Readiness Command
ATTN: DRSEL-ME-MQ
Fort Monmouth, New Jersey 07703

FOLD BACK

TEAR ALONG DOTTED LINE



SOMETHING WRONG WITH THIS MANUAL?

THEN... JOT DOWN THE DOPE ABOUT IT ON THIS FORM, TEAR IT OUT, FOLD IT AND DROP IT IN THE MAIL!

FROM: (YOUR UNIT'S COMPLETE ADDRESS)

DATE

PUBLICATION NUMBER

TM 11-6625-2735-14

DATE

26 MAR 79

TITLE

Oscilloscope OS-261/U

BE EXACT... PIN-POINT WHERE IT IS

PAGE NO.	PARA-GRAPH	FIGURE NO.	TABLE NO.
----------	------------	------------	-----------

IN THIS SPACE TELL WHAT IS WRONG AND WHAT SHOULD BE DONE ABOUT IT:

TEAR ALONG DOTTED LINE

TYPED NAME, GRADE OR TITLE, AND TELEPHONE NUMBER

SIGN HERE:

FILL IN YOUR
UNIT'S ADDRESS

FOLD BACK

DEPARTMENT OF THE ARMY

OFFICIAL BUSINESS

Commander
US Army Communications and
Electronics Materiel Readiness Command
ATTN: DRSEL-ME-MQ
Fort Monmouth, New Jersey 07703

FOLD BACK

TEAR ALONG DOTTED LINE

By Order of the Secretaries of the Army, the Navy, and the Air Force:

BERNARD W. ROGERS
General, United States Army
Chief of Staff

Official:

J. C. PENNINGTON
Major General, United States Army
The Adjutant General

EARL B. FOWLER
Rear Admiral, United States Navy
Commander, Naval Electronics
Systems Command

Official:

LEW ALLEN. JR., General USAF
Chief of Staff

F. M. RODGERS
General, USAF, Commander, Air Force
Logistics Command

DISTRIBUTION:

Active/Army:

HISA (Ft Monmouth) (26)
USAINSCOM (2)
COE (1)
TSG (1)
USAARENBD (1)
DARCOM (1)
TRADOC (2)
OS Maj Cored (4)
TECOM (2)
USACC (4)
MDW (1)
Armies (2)
Corps (2)
Svc Colleges (1)
USASIGS (5)
USAADS (2)
USAFAS (2)
USAARMS (2)
USAIS (2)
USAES (2)
USAICS (3)

MAAG (1)
USARMIS (1)
USAERDAA (1)
USAERDAW (1)
Fort Gordon (10)
Fort Huachuca (10)
Fort Carson (5)
Army Dep (1) except
LBAD (14)
SAAD (30)
TOAD (14)
SHAD (3)
Fort Gillem (10)
USA Dep (1)
Sig Sec USA Dep (1)
Ft Richardson (CERCOM Oft) (2)
Units org under fol TOE:
(2 cys each)
29-207
29-610

ARNG: None

USAR: None

For explanation of abbreviations used, see AR 310-50.

THE METRIC SYSTEM AND EQUIVALENTS

WEIGHT MEASURE

1 Centimeter = 10 Millimeters = 0.01 Meters = 0.3937 Inches
 1 Meter = 100 Centimeters = 1000 Millimeters = 39.37 Inches
 1 Kilometer = 1000 Meters = 0.621 Miles

WEIGHTS

1 Gram = 0.001 Kilograms = 1000 Milligrams = 0.035 Ounces
 1 Kilogram = 1000 Grams = 2.2 lb.
 1 Metric Ton = 1000 Kilograms = 1 Megagram = 1.1 Short Tons

LIQUID MEASURE

1 Milliliter = 0.001 Liters = 0.0338 Fluid Ounces
 1 Liter = 1000 Milliliters = 33.82 Fluid Ounces

SQUARE MEASURE

1 Sq. Centimeter = 100 Sq. Millimeters = 0.155 Sq. Inches
 1 Sq. Meter = 10,000 Sq. Centimeters = 10.76 Sq. Feet
 1 Sq. Kilometer = 1,000,000 Sq. Meters = 0.386 Sq. Miles

CUBIC MEASURE

1 Cu. Centimeter = 1000 Cu. Millimeters = 0.06 Cu. Inches
 1 Cu. Meter = 1,000,000 Cu. Centimeters = 35.31 Cu. Feet

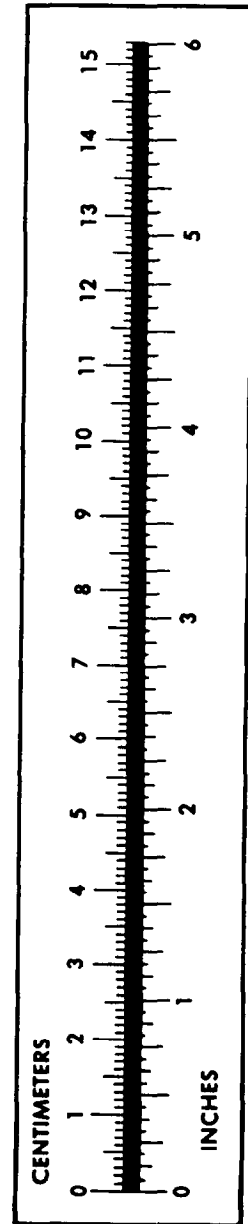
TEMPERATURE

$5/9(^{\circ}\text{F} - 32) = ^{\circ}\text{C}$
 212° Fahrenheit is equivalent to 100° Celsius
 90° Fahrenheit is equivalent to 32.2° Celsius
 32° Fahrenheit is equivalent to 0° Celsius
 $9/5^{\circ}\text{C} + 32 = ^{\circ}\text{F}$

APPROXIMATE CONVERSION FACTORS

TO CHANGE	TO	MULTIPLY BY
Inches	Centimeters	2.540
Feet	Meters	0.305
Yards	Meters	0.914
Miles	Kilometers	1.609
Square Inches	Square Centimeters	6.451
Square Feet	Square Meters	0.093
Square Yards	Square Meters	0.836
Square Miles	Square Kilometers	2.590
Acres	Square Hectometers	0.405
Cubic Feet	Cubic Meters	0.028
Cubic Yards	Cubic Meters	0.765
Fluid Ounces	Milliliters	29.573
its	Liters	0.473
arts	Liters	0.946
allons	Liters	3.785
Ounces	Grams	28.349
Pounds	Kilograms	0.454
Short Tons	Metric Tons	0.907
Pound-Feet	Newton-Meters	1.356
Pounds per Square Inch	Kilopascals	6.895
Miles per Gallon	Kilometers per Liter	0.425
Miles per Hour	Kilometers per Hour	1.609

TO CHANGE	TO	MULTIPLY BY
Centimeters	Inches	0.394
Meters	Feet	3.280
Meters	Yards	1.094
Kilometers	Miles	0.621
Square Centimeters	Square Inches	0.155
Square Meters	Square Feet	10.764
Square Meters	Square Yards	1.196
Square Kilometers	Square Miles	0.386
Square Hectometers	Acres	2.471
Cubic Meters	Cubic Feet	35.315
Cubic Meters	Cubic Yards	1.308
Milliliters	Fluid Ounces	0.034
Liters	Pints	2.113
Liters	Quarts	1.057
ers	Gallons	0.264
ms	Ounces	0.035
ograms	Pounds	2.205
Metric Tons	Short Tons	1.102
Newton-Meters	Pounds-Feet	0.738
Kilopascals	Pounds per Square Inch	0.145
ometers per Liter	Miles per Gallon	2.354
ometers per Hour	Miles per Hour	0.621



PIN: 038241-000