

6.VAU.8.DL.1,1/932

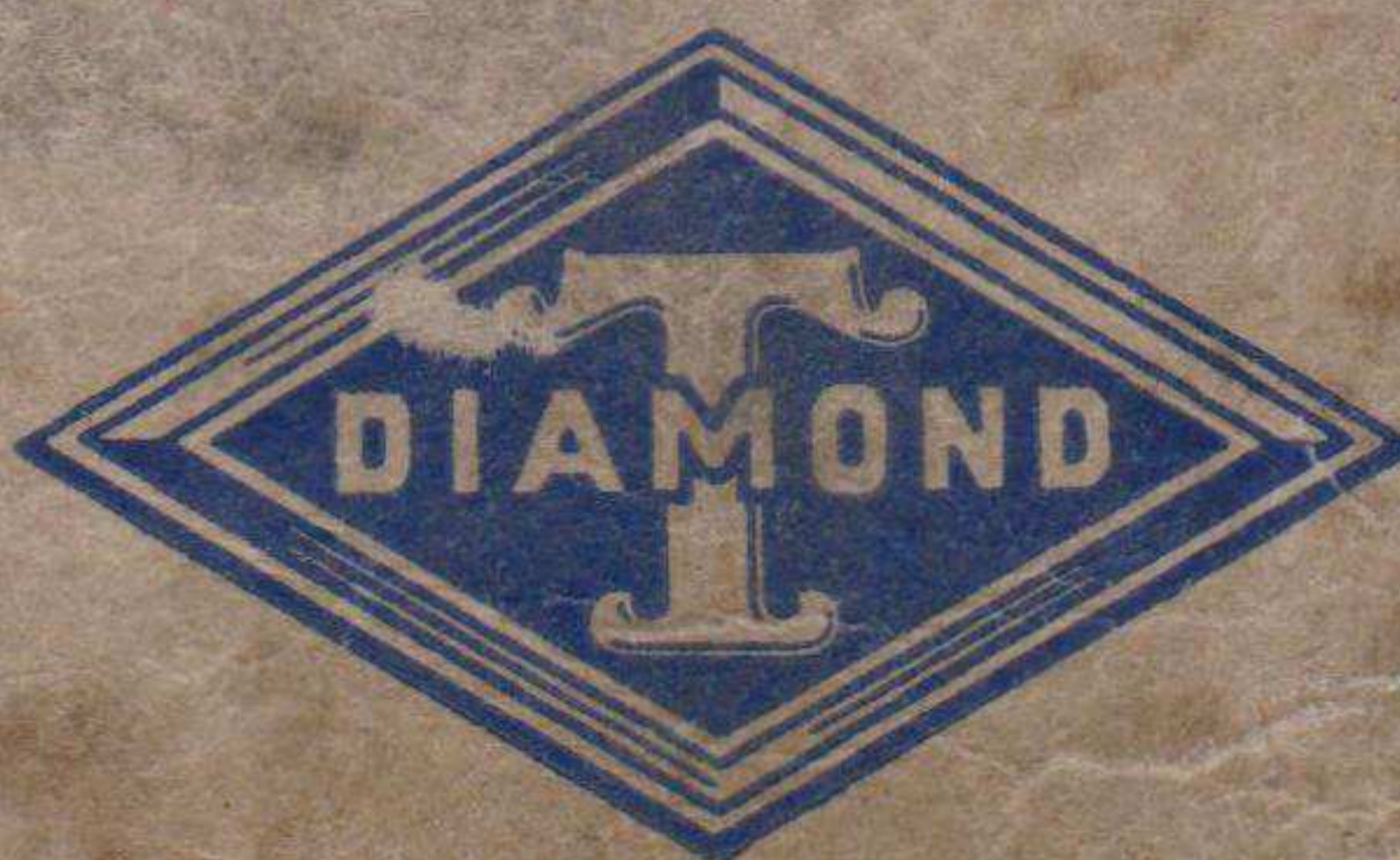
DT 980-01

L2-01

PARTS LIST

6x4 Transporter

DIAMOND T MOTOR CAR CO.



Model 980

CONTRACT NUMBERS

CANADIAN
C.D.L.V. 332.
C.D.L.V. 464.
C.D.L.V. 493.
C.D.L.V. 509.

SGV TD

0100
0101
ENGINE

FOREWORD

In the preparation of this Parts List, a system of grouping has been used, the arrangement of which may be found on the following page. Group numbers are composed of four figures, the first two of which index the main group, while the two following figures indicate those sub-groups of parts which comprise the main groups. For example, the Engine Group is 01; the Electrical Group 06; the Front Axle Group 10, etc. Subdivisions such as Connecting Rods and Bearings are 0104; Light Switches and Cables, 0606; Steering Knuckle, Flange and Arm, 1006, etc.

Part numbers are separately listed in numerical order and indexed to the groups in which they may be found, while an alphabetical index to the parts keying them to their group is also provided at the end of this book.

In the body of the list it has been our effort to make the descriptions complete and to use illustrations which are accurate and of practical value.

DIAMOND T MOTOR CAR COMPANY

Factories and Main Parts Warehouses:

CHICAGO, ILLINOIS, U. S. A.

Arrangement of Parts Groups

01 Engine Group

- 0100 Engine Assembly
- 0101 Cylinder Block and Head
- 0102 Crankshaft, Bearings and Caps
- 0103 Pistons, Rings and Piston Pins
- 0104 Connecting Rods and Bearings
- 0105 Valves, Springs, Guides, Tappets, Etc., Lifts, Rocker Arms and Shaft
- 0106 Camshaft, Timing, Bearings, Etc.
- 0107 Oil Pump, Oil Pan, Gauge
- 0108 Manifold
- 0109 Flywheel, Ring Gear, Etc.
- 0110 Mountings

02 Clutch Group

- 0200 Clutch Assembly
- 0201 Clutch Disc
- 0202 Cover, Pressure Plate and Springs
- 0203 Release Lever, Bearings, Forks, Etc.
- 0204 Pedal
- 0205 Pilot Bearing

03 Fuel System Group

- 0300 Fuel Tank
- 0301 Air Cleaner
- 0302 Fuel Pump, Fuel Pump Tube, Hose, Etc.
- 0303 Accelerator and Throttle
- 0304 Fuel Tank Lines to Gauge

04 Exhaust Group

- 0401 Muffler
- 0402 Pipe and Tail Pipe

05 Cooling Group

- 0501 Radiator Shell and Core
- 0502 Thermostat and Heat Indicator
- 0503 Water Pump, Fan, Belt
- 0504 Radiator Mountings
- 0505 Engine Water Fittings and Hose

06 Electrical Group

- 0601 Generator and Regulator
- 0602 Starting Motor
- 0605 Instruments and Carrier
- 0606 Light Switches and Cables
- 0607 Headlamps, Sealed Beams, Bulbs and Fuses
- 0608 Tail and Auxiliary Lamp
- 0609 Horn
- 0610 Battery, Starting Cables and Connections

07 Transmission Group

- 0700 Transmission
- 0701 Case
- 0702 Gears
- 0703 Main Drive Pinion and Bearings
- 0704 Main Shaft, Countershaft, and Reverse Idler Countershaft
- 0705 Speedometer Drive Gears
- 0706 Shift Forks, Levers

08 Auxiliary Transmission Group

- 0800 Auxiliary Transmission Assembly
- 0801 Case
- 0802 Drive Gear, Shaft, Bearings
- 0803 Driven Gear, Shaft, Bearings
- 0805 Shifter Shafts, Yokes and Shift Levers
- 0809 Power Take Off

09 Propeller Shaft and Universal Joint Group

- 0901 Propeller Shaft Assembly
- 0902 Universal Joints

10 Front Axle Group

- 1000 Front Axle Assembly
- 1001 Housing
- 1006 Steering Knuckle, Flange and Arm

11 Rear Axle Group

- 1100 Rear Axle Assembly
- 1101 Housing Assembly
- 1102 Axle Drive Shafts
- 1103 Differential and Carrier Assembly
- 1104 Differential Side Gears and Pinions
- 1105 Drive Gear and Bearings

12 Brake Group

- 1201 Hand Brake
- 1202 Shoes and Facing
- 1203 Brake Shoe Support, Guide, Springs, Adjusting Pins, and Anchor Plate
- 1204 Pedal
- 1205 Air Brake Tank, Compressor, Governor, Valves
- 1206 Tubes and Clips, Brackets, Springs
- 1207 Brake Chambers
- 1208 Brake Dust Shields
- 1209 Brake Lines, Pipes, Hoses
- 1212 Cross Shafts and Pull Rods

13 Wheel, Hub and Drum Group

- 1301 Wheel Assembly, Bearings, Retainers, Etc.
- 1302 Hubs and Drums

14 Steering Group

- 1401 Steering Connecting Rod (Drag Link)
- 1402 Axle Tie Rod
- 1403 Gear Assembly
- 1404 Wheel Assembly
- 1405 Brackets

15 Frame and Brackets Group

- 1500 Frame and Brackets
- 1501 Towing Attachment
- 1502 Pintle Hooks
- 1504 Running Board Hangers

16 Spring Group

- 1601 Front and Rear Springs and Spring Bumpers
- 1602 Shackles and Spring Attaching Parts

17 Hood, Fender, Running Board, Apron (Misc. Sheet Metal) Group

- 1701 Fenders
- 1703 Running Boards
- 1704 Hood

18 Body Group

- 1800 Cab Body Assy. and Parts
Transporter Body Parts List
- 1801 Windshield Wiper

19 Winch Assy. — Winch and Hoist Control Levers

- 1900 Winch and Winch Drive Shafts
- 1910 Control Levers and Rods

21 Bumper and Guard Group

- 2101 Bumpers
- 2103 Radiator Guard

22 Miscellaneous Body, Chassis and Accessories Group

- 2200 Identification and Caution Plates
- 2201 Rear View Mirrors
- 2203 Speedometer

23 General Use, Standardized Parts Group

- 2300 Miscellaneous Tools, Tire Chains, Extinguishers
- 2304 Miscellaneous Nuts, Bolts, Screws, and Washers
- 2305 Miscellaneous Cotter Pins, Woodruff Keys

DIAMOND T MOTOR CAR COMPANY

Code	Mfr. No.	Description	Order by this Number	Quantity Required
------	----------	-------------	-------------------------	----------------------

01 — ENGINE

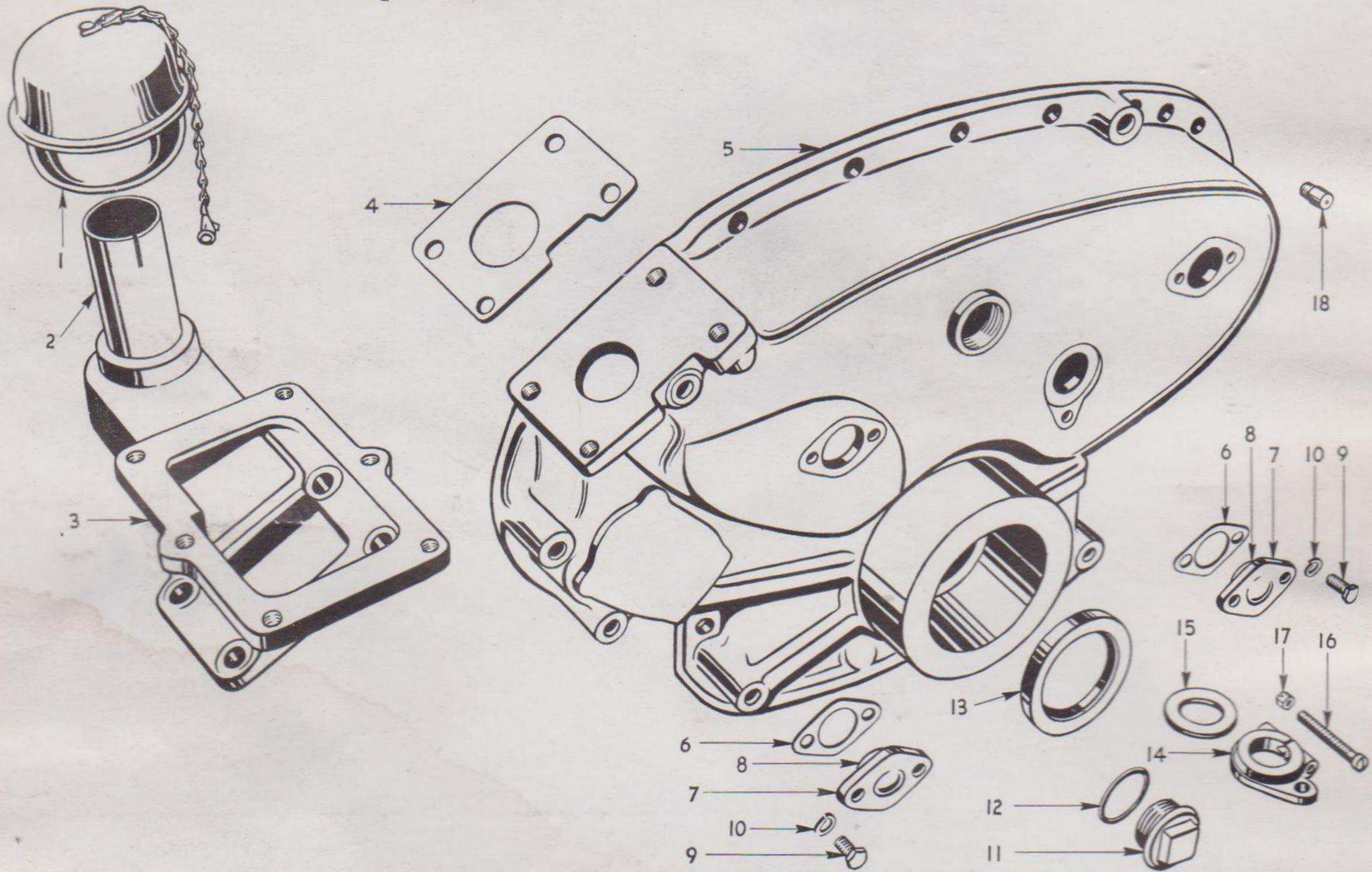
0100 — Engine Assembly

DFXE	Engine assembly	DX-6083	1
------	-----------------	---------	---

0101 — Cylinder Block and Head

	Cylinder block assy. with pistons, pins and rings	BB-23611ASY	
88020E	Cylinder block only — assembly	BB-23611	1
88021C	Cylinder liner	BB-23459	6
86319A	Cylinder block combustion liner — upper	BB-23536	6
86318A	Cylinder block combustion liner — lower	BB-23537	6
14141A	Cylinder block combustion liner pin	BB-23539	6
88219A	Cylinder block cylinder head stud	BB-23312	40
80992A	Cylinder block spray nozzle sleeve	BB-23839	6
14145A	Cylinder block spray nozzle sleeve stud	BB-23843	12
59A	Cylinder block pipe plug (1/8")	11339F	4
14196A	Cylinder block pipe plug (1 1/4")	DX-611J	13
4746A	Cylinder block pipe plug (3/4")	21224R	14
4598A	Cylinder block to bell housing stud (5/8x2 1/4")	BB-23607	5
4802A	Cylinder block oil pump attaching dowel	BB-23801	2
1707A	Cylinder block gear cover dowel	1267R	2
4283A	Cylinder block water pump attaching stud	BB-23755	1
14258A	Cylinder block oil filter attaching stud	BB-21404	4
88825C	Torque arm support — L.H.	BB-23721	1
4928A	Torque arm support screw (5/8x2"-11)	DX-158	3
4923A	Torque arm support stud	BB-23724	1
1124A	Torque arm support stud nut (5/8"-18)	DX-1032C	1
1126A	Torque arm support stud nut lockwasher (5/8")	DX-262	4
66196A	Torque arm support dowel	BB-23722	2
88827C	Torque arm support — R.H.	BB-23720	1
4708A	Torque arm support screw (5/8x1 3/4"-11)	DX-157	2
4570A	Torque arm support screw (5/8x1 1/2"-11)	DX-156	2
1126A	Torque arm support screw lockwasher (5/8")	DX-262	4
88828A	Torque arm support dowel	BB-23723	2
14101A	Drain cock (3/8")	BB-23602	1
88308E	Cylinder head	BB-23310	2
88301D	Cylinder head gasket	BB-23311	2
82098A	Cylinder head attaching nut	BB-23314	40
11260A	Cylinder head attaching stud plain washer	BB-23313	40
85009A	Cylinder head valve guide — intake	BB-23401	6
85029A	Cylinder head valve guide — exhaust	BB-23406	6
7165A	Cylinder head pipe plug (1")	11224F	6
59A	Cylinder head pipe plug — end — (1/8")	11339F	4
14155A	Cylinder head to exhaust manifold stud	BB-23334	12
88746A	Lifting eye	BB-23315	2
1075A	Cylinder head pipe plug (1/2")	DX-611E	12
88100D	Cylinder head cover	BB-23300	2
88099B	Cylinder head cover gasket	BB-23303	2
13354A	Cylinder head cover attaching screw (3/8x4 1/4"-16)	BB-23302	18
4877A	Cylinder head cover attaching screw (3/8x2 1/2"-16)	13431R	8
14416A	Cylinder head cover screw plain washer	BB-7825	26
342A	Cylinder head cover screw lockwasher	DX-254	26
60A	Cylinder head cover oil drain plug	41412C	2
88034E	Gear cover	BB-23550	1
88035C	Gear cover gasket	BB-23552	1
88036A	Gear cover crankshaft seal	BB-23551	1
88066A	Gear cover camshaft thrust plate	BB-23555	1
88067A	Gear cover camshaft thrust plug	BB-23557	1
88068A	Gear cover camshaft thrust plate shim	BB-23556	20 APP.
88066A	Gear cover fuel pump drive thrust plate	BB-23555	1

Code	Mfr. No.	Description	Order by this Number	Quantity Required
88067A		Gear cover fuel pump drive thrust plug	BB-23557	1
88068A		Gear cover fuel pump drive thrust plate shim	BB-23556	20 APP.
4072A		Gear cover thrust plate attaching screw (3/8x5/8"-16)	DX-110A	4
342A		Gear cover thrust plate attaching screw lockwasher (3/8")	DX-254	4
31244A		Gear cover chain inspection plug	13362R	1
31245A		Gear cover chain inspection plug gasket	13566R	1
4339A		Gear cover to cylinder block attaching screw (1/2x1 1/2"-13)	DX-134	10
4384A		Gear cover to cylinder block attaching screw (1/2x3 3/8"-13)	61274R	4
4524A		Gear cover to cylinder block attaching screw (1/2x4 5/8"-13)	DX-142E	2
312A		Gear cover to cylinder block attaching screw lock-washer (1/2")	DX-258	16
DFXE		Engine gasket set	BB-21010	1
88158D		Air compressor bracket	BB-21500	1
88753A		Air compressor bracket gasket	BB-21501	1
352A		Air compressor bracket screw	DX-133	4
312A		Air compressor bracket screw lockwasher	DX-258	4

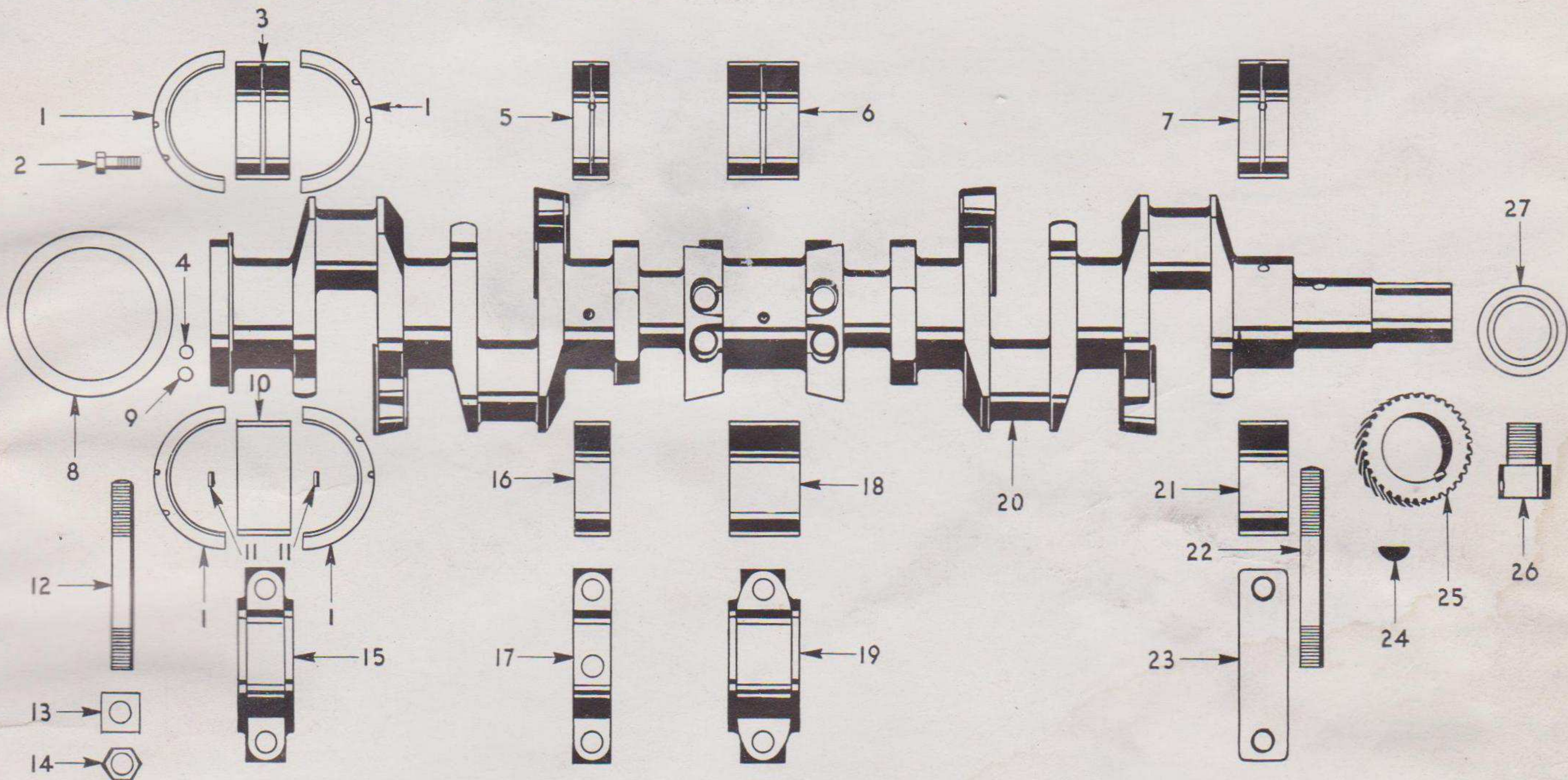


1. Breather assembly	BB-21191	10. Thrust plate attaching screw lockwasher	DX-254
2. Breather tube	BB-21192	11. Inspection plug	13362R
3. Air compressor bracket	BB-21500	12. Inspection plug gasket	13566R
4. Air compressor bracket gasket	BB-21501	13. Crankshaft seal	BB-23551
5. Gear cover	BB-23550	14. Support bracket	BB-23687
6. Thrust plate shim	BB-23556	15. Cork seal	
7. Thrust plate	BB-23555	16. Adjusting screw	DX-586RR
8. Thrust plug	BB-23557	17. Nut	DX-188
9. Thrust plate attaching screw	DX-110A	18. Dowel	1267R

14386A	Air compressor to bracket screw	DX-122	4
335A	Air compressor to bracket screw lockwasher	DX-256	4
83159C	Air compressor driven pulley	BB-21502	1
74866A	Air compressor lubrication tube assembly	BB-21544	1
1533A	Air compressor lubrication tube union	V-314	1
88796BS	Air compressor breather assembly	BB-21191	1
88786A	Air compressor breather tube	BB-21192	1
5871A	Air compressor breather cap chain screw	BB-21193	1

DIAMOND T MOTOR CAR COMPANY

Code	Mfr. No.	Description	Order by this Number	Quantity Required
0102 — Crankshaft Bearings and Caps				
88605D		Crankshaft	BB-23650	1
88039B		Crankshaft gear	BB-23651	1
4561A		Crankshaft gear key	BB-23652	1
3587A		Crankshaft flywheel screw	BB-23601	8
267A		Crankshaft flywheel screw lock wire	1104R	1
1707A		Crankshaft flywheel dowel	1267R	2
665A		Crankshaft flywheel expansion plug	1246R	2
14621A		Crankshaft oil wick assembly	BB-23653	1
88885A		Starting crank grab	BB-21323	1
88112B—std.		Front main bearing — upper — std.	BB-23612	1
88112B—.002 u/s		Front main bearing — upper — .002 u/s	BB-23613	1
88112B—.005 u/s		Front main bearing — upper — .005 u/s	BB-23614	1
88112B—.010 u/s		Front main bearing — upper — .010 u/s	BB-23615	1
88108B—std.		Front main bearing — lower — std.	BB-23618	1



1. Rear main bearing thrust flange.....	BB-23649	15. Rear main bearing cap.....	BB-23642
2. Flywheel screw	BB-23601	16. Intermediate main bearing — lower.....	BB-23660
3. Rear main bearing — upper.....	BB-23637	17. Intermediate main bearing cap.....	BB-23659
4. Flywheel expansion plug.....	1246R	18. Center main bearing — lower.....	BB-23631
5. Intermediate main bearing — upper.....	BB-23656	19. Center main bearing cap.....	BB-23630
6. Center main bearing — upper.....	BB-23625	20. Crankshaft	BB-23650
7. Front main bearing — upper.....	BB-23612	21. Front main bearing — lower.....	BB-23618
8. Oil seal	BB-23606	22. Front main bearing cap stud.....	BB-23681
9. Flywheel dowel	1267R	23. Front main bearing cap	BB-23617
10. Rear main bearing — lower.....	BB-23643	24. Crankshaft gear key.....	BB-23652
11. Rear main bearing thrust flange dowel.....	51166F	25. Crankshaft gear	BB-23651
12. Intermediate center and rear cap stud.....	BB-23682	26. Starting crank grab	BB-21323
13. Main bearing cap stud nut retainer washer.....	BB-23684	27. Oil seal	BB-23551
14. Main bearing cap stud nut.....	BB-23683		

88108B—.002 u/s	Front main bearing — lower — .002 u/s	BB-23619	1
88108B—.005 u/s	Front main bearing — lower — .005 u/s	BB-23621	1
88108B—.010 u/s	Front main bearing — lower — .010 u/s	BB-23622	1
88091C	Front main bearing cap	BB-23617	1
88107B	Front main bearing cap stud	BB-23681	2
88113B—std.	Center main bearing — upper — std.	BB-23625	1
88113B—.002 u/s	Center main bearing — upper — .002 u/s	BB-23626	1

Code	Mfr. No.	Description	Order by this Number	Quantity Required
88113B—.005 u/s		Center main bearing — upper — .005 u/s	BB-23627	1
88113B—.010 u/s		Center main bearing — upper — .010 u/s	BB-23628	1
88109B—std.		Center main bearing — lower — std.	BB-23631	1
88109B—.002 u/s		Center main bearing — lower — .002 u/s	BB-23632	1
88109B—.005 u/s		Center main bearing — lower — .005 u/s	BB-23633	1
88109B—.010 u/s		Center main bearing — lower — .010 u/s	BB-23634	1
88093C		Center main bearing cap	BB-23630	1
88114B—std.		Rear main bearing — upper — std.	BB-23637	1
88114B—.002 u/s		Rear main bearing — upper — .002 u/s	BB-23638	1
88114B—.005 u/s		Rear main bearing — upper — .005 u/s	BB-23639	1
88114B—.010 u/s		Rear main bearing — upper — .010 u/s	BB-23640	1
88110B—std.		Rear main bearing — lower — std.	BB-23643	1
88110B—.002 u/s		Rear main bearing — lower — .002 u/s	BB-23644	1
88110B—.005 u/s		Rear main bearing — lower — .005 u/s	BB-23645	1
88110B—.010 u/s		Rear main bearing — lower — .010 u/s	BB-23646	1
88094C		Rear main bearing cap	BB-23642	1
88116B		Rear main bearing thrust flange	BB-23649	4
4765A		Rear main bearing thrust flange dowel	51166F	2
88115B—std.		Intermediate main bearing — upper — std.	BB-23656	4
88115B—.002 u/s		Intermediate main bearing — upper — .002 u/s	BB-23657	4
88115B—.005 u/s		Intermediate main bearing — upper — .005 u/s	BB-23658	4
88115B—.010 u/s		Intermediate main bearing — upper — .010 u/s	BB-23659	4
88111B—std.		Intermediate main bearing — lower — std.	BB-23660	4
88111B—.002 u/s		Intermediate main bearing — lower — .002 u/s	BB-23661	4
88111B—.005 u/s		Intermediate main bearing — lower — .005 u/s	BB-23662	4
88111B—.010 u/s		Intermediate main bearing — lower — .010 u/s	BB-23663	4
88092C		Intermediate main bearing cap	BB-23655	4
		Main bearing bushing set (14 pieces) std.	BB-23590	1
		Main bearing bushing set (14 pieces) .002 u/s	BB-23591	1
		Main bearing bushing set (14 pieces) .005 u/s	BB-23592	1
		Main bearing bushing set (14 pieces) .010 u/s	BB-23593	1
88106B		Intermediate center and rear cap stud	BB-23682	12
88105A		Main bearing cap stud nut	BB-23683	14
88104A		Main bearing cap stud nut retainer washer	BB-23684	14

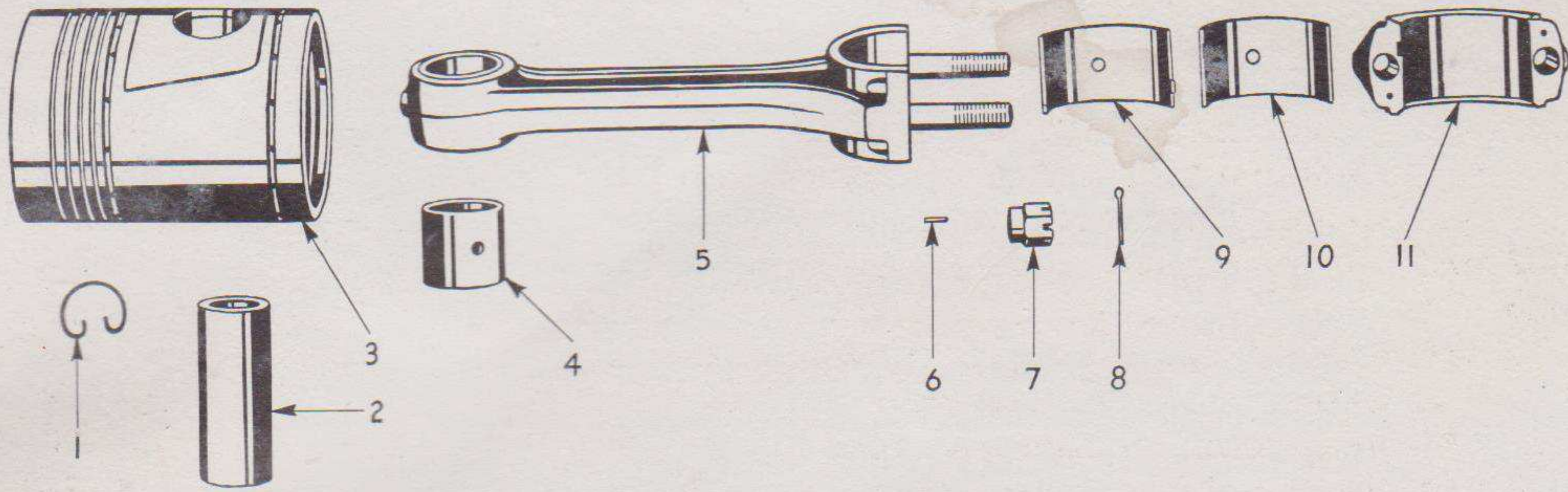
0103 — Pistons, Rings and Pins

88022, 20, 17		Piston — with pin — std. (5 ⁵ / ₈ " diameter)	BB-23450	6
88022, 20, 17		Piston — with pin — .005 o/s	BB-23453	6
88022, 20, 17		Piston — with pin — .010 o/s	BB-23452	6
86020B		Piston pin	BB-23460	6
86020B		Piston pin — .002 o/s	BB-23461	6
86017A		Piston pin retainer	BB-23467	12
3846A—std.		Piston ring — compression — std. — (1/8" wide)	BB-23470	24
3846—.005 o/s		Piston ring — compression — .005 o/s	BB-23471	24
3846A—.010 o/s		Piston ring — compression — .010 o/s	BB-23472	24
3846A—.020 o/s		Piston ring — compression — .020 o/s	BB-23473	24
3932A—std.		Piston ring — oil ring — std. — (1/4" wide)	BB-23480	12
3932A—.005 o/s		Piston ring — oil ring — .005 o/s	BB-23481	12
3932A—.010 o/s		Piston ring — oil ring — .010 o/s	BB-23482	12
3932A—.020 o/s		Piston ring — oil ring — .020 o/s	BB-23483	12

0104 — Connecting Rods and Bearings

88095CSY		Connecting rod assembly — std.	BB-21090	6
4803A		Connecting rod cap dowel	BB-21093	12
86102A		Connecting rod cap nut (3/4"x16 S.A.E.)	BB-21101	12
302A		Connecting rod cap nut cotter pin (1/8x1 1/4")	DX-215	12
88607B—std.		Connecting rod bearing — std.	BB-21094	12
88607B—.002 u/s		Connecting rod bearing — .002 u/s	BB-21095	12
88607B—.005 u/s		Connecting rod bearing — .005 u/s	BB-21096	12
88607B—.010 u/s		Connecting rod bearing — .010 u/s	BB-21097	12
85291A		Connecting rod bushing	BB-21085	6

DIAMOND T MOTOR CAR COMPANY

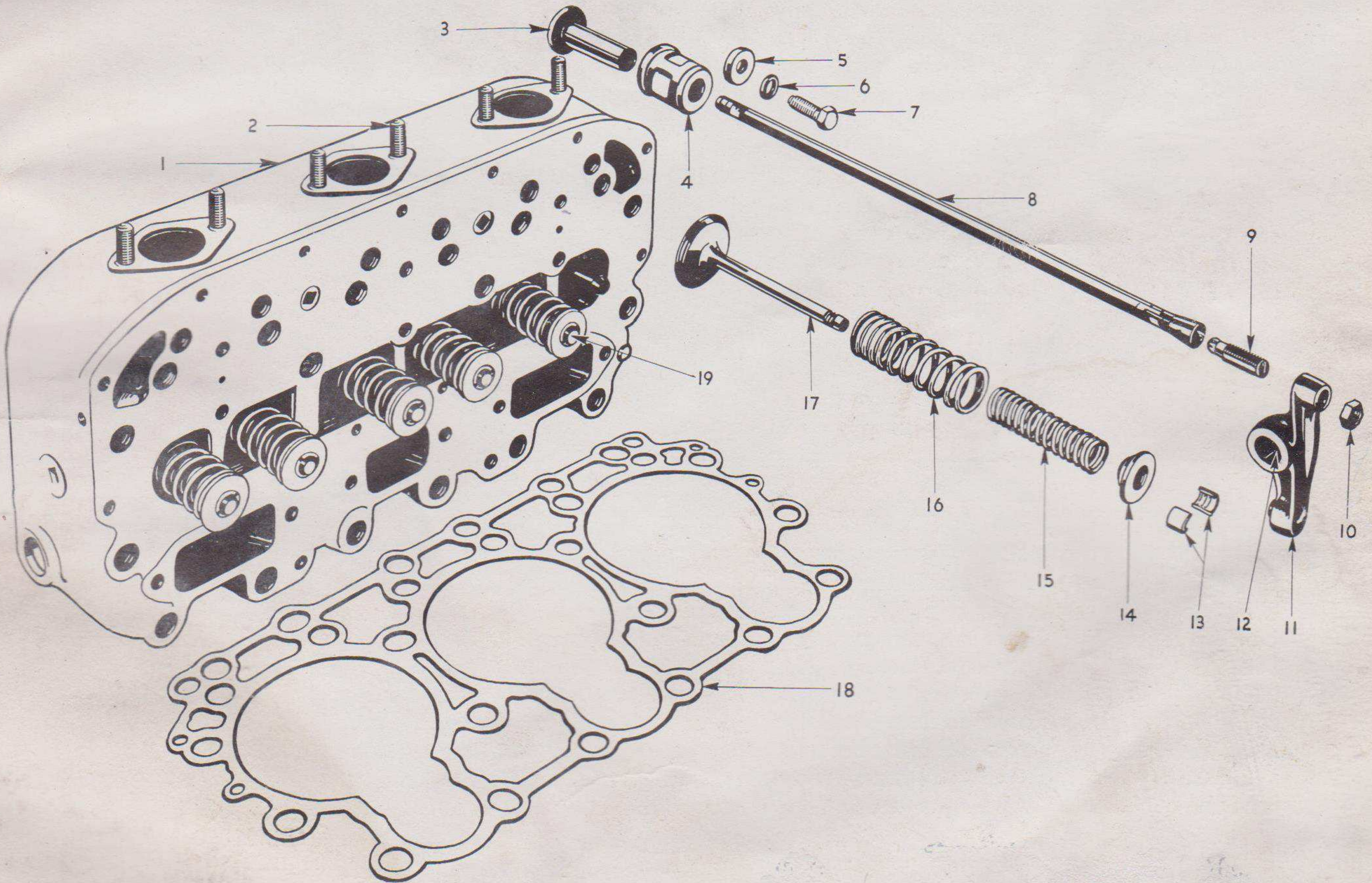


1. Piston pin retainer.....BB-23467	5. Connecting rod and bearing assy...BB-21090	9. Connecting rod bearing.....BB-21094
2. Piston pin.....BB-23460	6. Connecting rod cap dowel.....BB-21093	10. Connecting rod bearing.....BB-21094
3. Piston with pin.....BB-23450	7. Connecting rod bearing cap nut...BB-21101	11. Connecting rod cap.....NSS
4. Connecting rod bushing.....BB-21085	8. Connecting rod cap nut cotter pin...DX-215	

Code	Mfr. No.	Description	Order by this Number	Quantity Required
------	----------	-------------	----------------------	-------------------

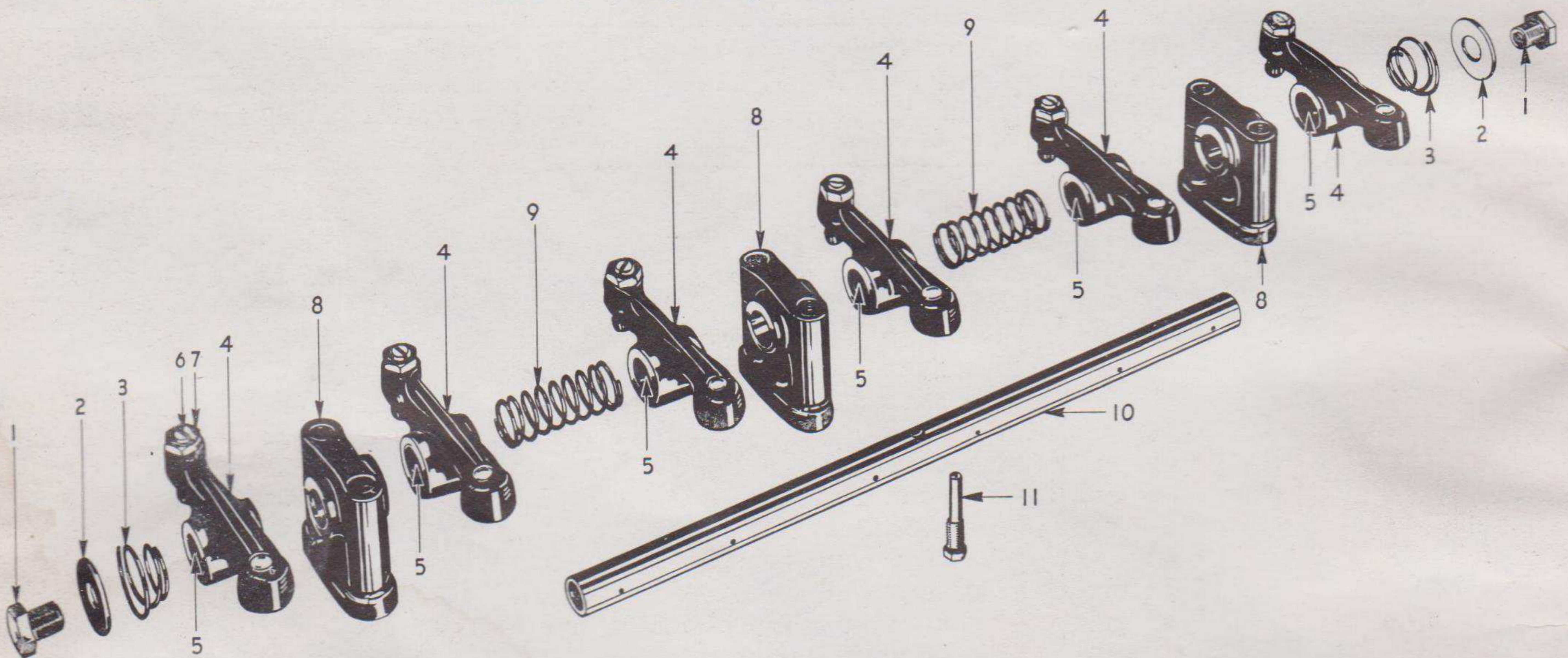
0105 — Valves, Springs, Guides, Tappets, Lifts, Rocker Arms and Shaft

85520A	Valve — intake	BB-23400	6
85510A	Valve — exhaust	BB-23405	6
86220A	Valve spring — inner	BB-23407	12
86221A	Valve spring — outer	BB-23409	12
85513A	Valve spring seat	BB-23412	12
85551A	Valve spring seat lock	BB-23414	24



1. Cylinder head.....BB-23310	8. Valve push rod assembly.....BB-23420	13. Valve spring seat lock.....BB-23414
2. Manifold stud.....BB-23334	9. Valve rocker arm adjusting screw.....BB-23384	14. Valve spring seat.....BB-23412
3. Valve tappet.....BB-23415	10. Valve rocker arm adjusting screw nut.....BB-23385	15. Valve spring — inner.....BB-23407
4. Valve tappet guide.....BB-23417	11. Valve rocker arm assembly.....BB-23380	16. Valve spring — outer.....BB-23409
5. Valve tappet guide washer.....BB-23418	12. Valve rocker arm bushing.....BB-23381	17. Intake valve.....BB-23400
6. Valve tappet guide screw lock washer.....DX-258		18. Cylinder head gasket.....BB-23311
7. Valve tappet guide screw.....31022R		19. Exhaust valve.....BB-23405

Code	Mfr. No.	Description	Order by this Number	Quantity Required
88088A		Valve tappet	BB-23415	12
88006C		Valve tappet cover — front	BB-23429	1
88023C		Valve tappet cover — rear	BB-23430	1
88007B		Valve tappet cover gasket	BB-23432	2
1864A		Valve tappet cover screw (3/8x1"-16 U.S.S.).....	DX-112	28
14416A		Valve tappet cover screw plain washer	BB-7825	28
342A		Valve tappet cover screw lockwasher (3/8")	DX-254	28
88009A		Valve tappet guide	BB-23417	12
3599A		Valve tappet guide washer	BB-23418	6
8533A		Valve tappet guide screw	31022R	6
312A		Valve tappet guide screw lockwasher	DX-258	6
88080BS		Valve push rod assembly (19 3/4" long)	BB-23420	12
88073BS		Valve rocker arm assembly	BB-23380	12
14232A		Valve rocker arm expansion plug	13396R	12
88075A		Valve rocker arm bushing	BB-23381	12
14307A		Valve rocker arm felt plug	13397R	12
85164AS		Valve rocker arm cup assembly	BB-23382	12
85084A		Valve rocker arm adjusting screw	BB-23384	12
4828A		Valve rocker arm adjusting screw nut	BB-23385	12



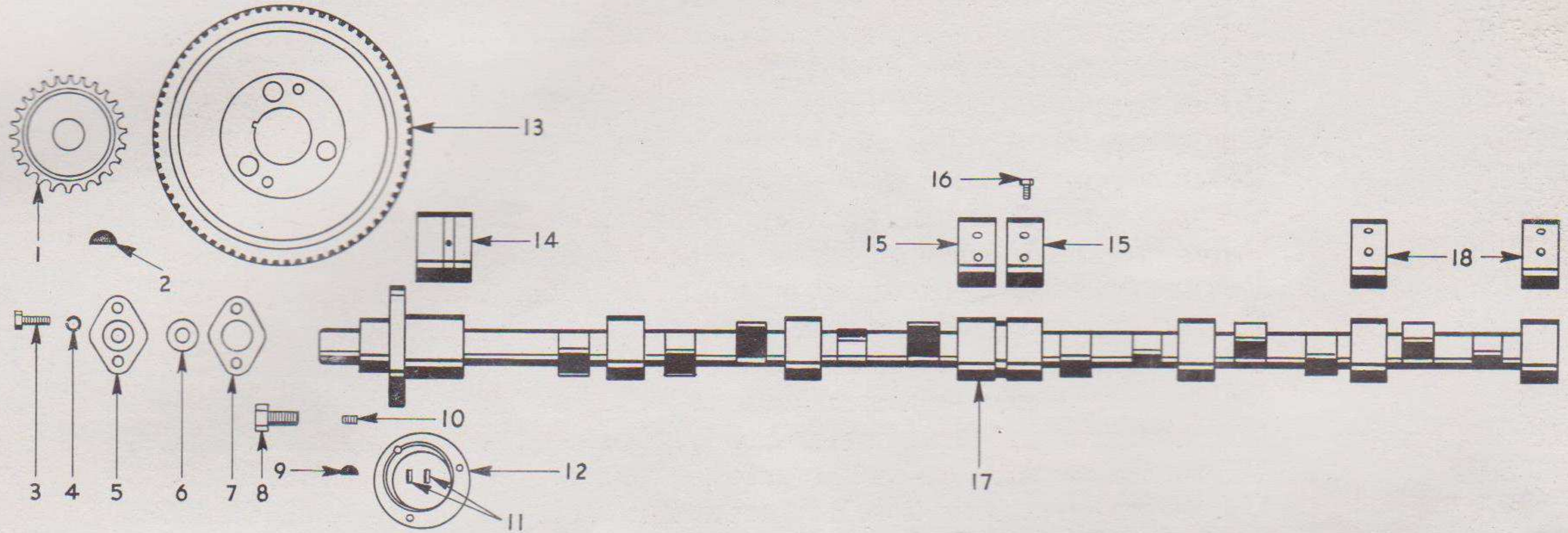
1. Rocker shaft washer screw	13393R	5. Rocker arm bushing	BB-23381	9. Rocker arm shaft inner spring	BB-23383
2. Rocker shaft spring washer	13392R	6. Rocker arm adjusting screw	BB-23384	10. Rocker arm shaft	BB-23386
3. Rocker arm shaft outer spring.....	13395R	7. Rocker arm adjusting screw nut..	BB-23385	11. Rocker arm shaft bracket screw ..	BB-23391
4. Rocker arm assembly	BB-23380	8. Rocker arm shaft bracket	BB-23387		

88076C	Valve rocker arm shaft	BB-23386	2
88087A	Valve rocker arm shaft bracket	BB-23387	6
14234A	Valve rocker arm shaft bracket screw (1/2x3 3/4"-13).....	BB-23391	12
267A	Valve rocker arm shaft bracket screw lockwire	1104R	6
85067A	Valve rocker arm shaft inner spring	BB-23383	4
85066A	Valve rocker arm shaft outer spring	13395R	4
14230A	Valve rocker shaft spring washer	13392R	4
14231A	Valve rocker shaft washer screw (15/16x1")	13393R	4
85160A	Valve rocker shaft lock screw	BB-23390	2

0106 — Camshaft, Bearings and Timing Gears

88069D	Camshaft	BB-23670	1
88062B	Camshaft gear	BB-23671	1
72A	Camshaft gear key (No. 9 Woodruff)	DX-277	1
30061A	Camshaft gear screw (5/8x1 1/8"-18)	BB-23672	3
267A	Camshaft gear lockwire	1104R	1
30564A	Camshaft thrust washer	BB-23676	1

Code	Mfr. No.	Description	Order by this Number	Quantity Required
4765A		Camshaft thrust washer lock pin	51166F	2
30890A		Camshaft oil metering plug	BB-23673	1
88540A		Camshaft fuel pump drive sprocket	BB-23675	1
1247A		Camshaft fuel pump drive sprocket key	DX-278	1



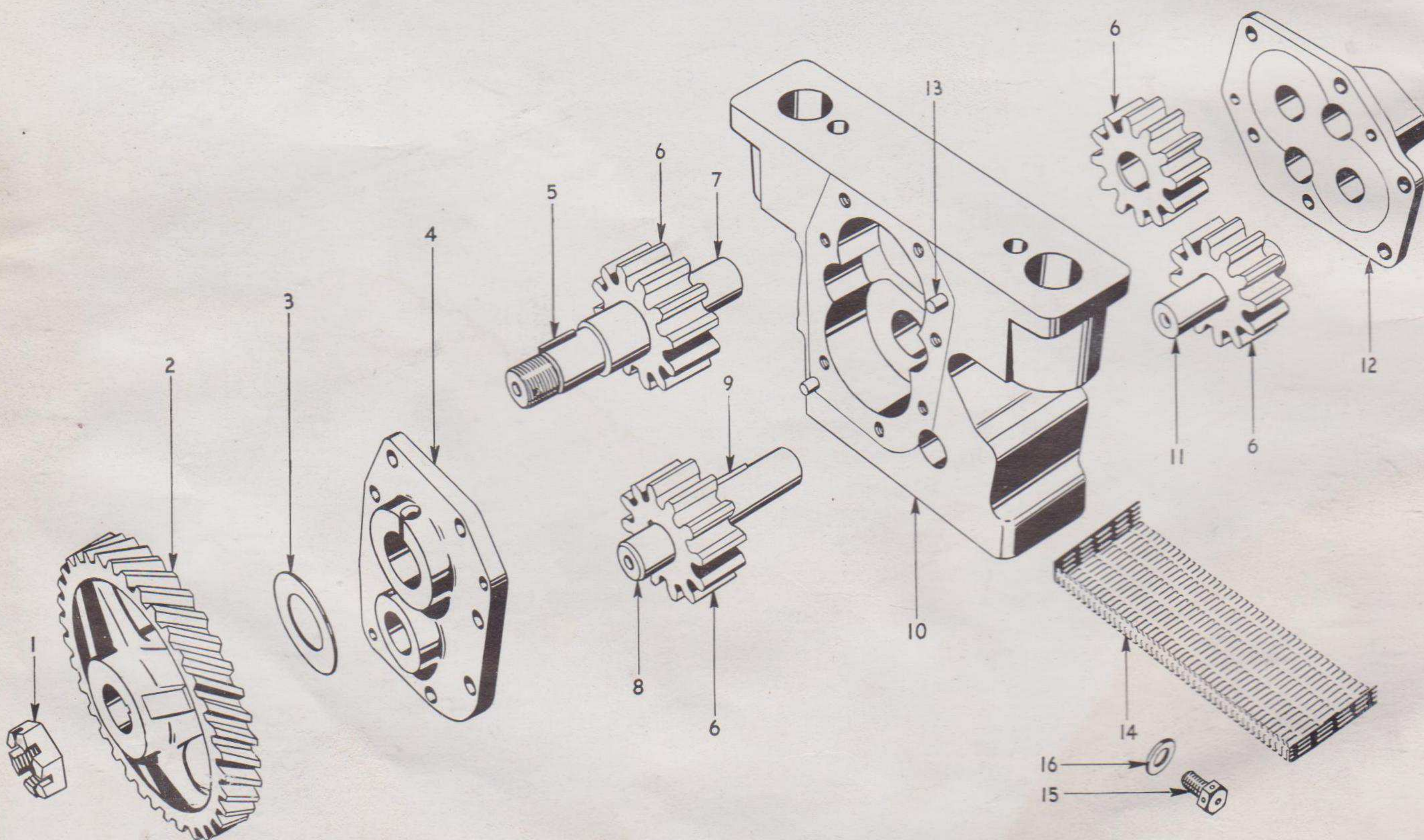
1. Fuel pump drive sprocket.....	BB-23675	7. Thrust plate shim	BB-23556	13. Gear	BB-23671
2. Fuel pump drive sprocket key.....	DX-278	8. Gear screw	BB-23672	14. Bearing — front	BB-23510
3. Thrust plate screw	DX-110A	9. Gear key	DX-277	15. Bearing — center	BB-23511
4. Thrust plate screw lock washer.....	DX-254	10. Oil metering plug	BB-23673	16. Bearing lock screw	BB-23513
5. Thrust plate	BB-23555	11. Thrust washer lock pin	51166F	17. Camshaft	BB-23670
6. Thrust plug	BB-23557	12. Thrust washer	BB-23676	18. Bearing — intermediate	BB-23512

88071B	Camshaft bearing — front	BB-23510	1
88072B	Camshaft bearing — center	BB-23511	2
88070B	Camshaft bearing — intermediate	BB-23512	5
11348A	Camshaft bearing lock screw	BB-23513	8
88523CS	Fuel pump drive shaft sleeve assembly	BB-23700	1
88518C	Fuel pump drive shaft sleeve and bushing	BB-23702	1
88524A	Fuel pump drive shaft sleeve bushing	BB-23703	2
88525B	Fuel pump drive shaft	BB-23705	1
88526A	Fuel pump drive shaft oil seal	BB-23710	1
14144A	Fuel pump drive shaft thrust washer	13713R	1
88540A	Fuel pump drive shaft sprocket	BB-23675	1
1247A	Fuel pump drive shaft sprocket key	DX-278	1
72A	Fuel pump drive shaft coupling key	DX-277	1
4357A	Fuel pump drive shaft coupling attaching nut (1/2"x20)....	31319J	1
298A	Fuel pump drive shaft coupling cotter key	DX-213	1
59A	Fuel pump drive shaft sleeve pipe plug	11339F	1
88527A	Fuel pump drive shaft attaching gasket	BB-23701	1
4064A	Fuel pump drive shaft attaching screw (1/2x1 1/4"-13)....	DX-133	3
312A	Fuel pump drive shaft attaching screw lockwasher (1/2")....	DX-258	3
88541C	Fuel pump drive chain	BB-23680	1
77299B	Fuel pump drive chain adjusting clamp	BB-23690	1
3312A	Fuel pump drive chain adjusting clamp gasket	BB-23693	1
14715A	Fuel pump drive chain adjusting set screw	13561R	1
4867A	Fuel pump drive chain adjusting set screw lockwasher ..	DX-4289K	1
88542B	Chain idler support bracket	BB-23687	1
88543B	Chain idler support shaft	BB-23685	1
4064A	Chain idler support bracket screw	DX-133	3
312A	Chain idler support bracket screw lockwasher	DX-258	3
88544B	Chain idler eccentric bushing	BB-23688	1
3313A	Chain idler eccentric stop pin	BB-23691	1
88545A	Chain idler sprocket	BB-23692	1
77166A	Chain idler eccentric threaded bushing	BB-23689	1
1179A	Chain idler eccentric threaded key	DX-287D	1
1311A	Chain idler eccentric threaded screw (5/16x2 1/4"-18 F.H.)....	DX-586RR	1
14326A	Chain idler eccentric threaded screw nut (5/16"-18)	DX-188	1
4644A	Chain idler eccentric nut cotter (3/64x1/2")	DX-223A	1

Code	Mfr. No.	Description	Order by this Number	Quantity Required
------	----------	-------------	----------------------	-------------------

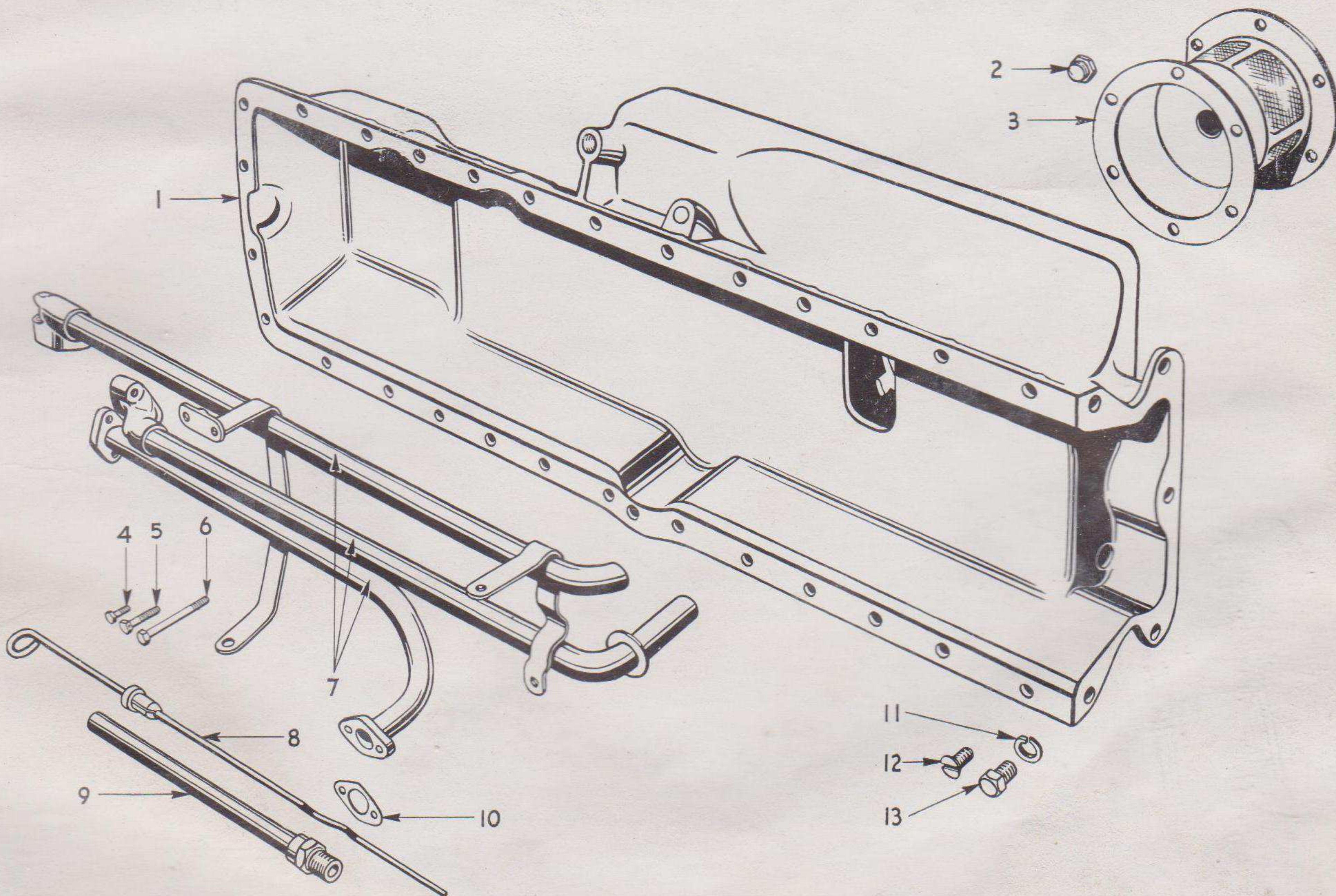
0107 — Oil Pump, Oil Pan, Oil Gauge, Oil Filter

88148DS		Oil pump assembly (includes next 23 items).....	BB-23800	1
88779D		Oil pump body	BB-23802	1
88774B		Oil pump front cover	BB-23803	1
88778C		Oil pump rear cover	BB-23804	1
11306A		Oil pump rear cover dowel pin	BB-23805	4
11364A		Oil pump cover attaching screw (5/16x7/8"-18)	BB-23806	11
266A		Oil pump cover attaching screw lockwire	1104R	5
88777B		Oil pump drive gear	BB-23810	1
88773A		Oil pump drive shaft	BB-23807	1
11307A		Oil pump drive shaft snap ring	BB-23808	1
88145A		Oil pump drive gear thrust washer	BB-23809	1
11134A		Oil pump drive gear clamp washer	BB-23811	1
11132A		Oil pump drive gear clamp nut (3/4"-16)	BB-23812	1
302A		Oil pump drive gear clamp nut cotter pin (1/8x1 1/4")	DX-215	1
2165A		Oil pump drive gear key (No. 8 Woodruff)	DX-287A	1
88769A		Oil pump gear	BB-23813	4
2165A		Oil pump gear key (No. 8 Woodruff)	DX-287A	4
88768A		Oil pump intermediate shaft	BB-23814	1
38772A		Oil pump idler shaft	BB-23815	1
88149A		Oil pump screen	BB-23816	1
14529A		Oil pump screen washer	17825F	4
11304A		Oil pump screen screw (5/16x1/2"-18)	BB-23817	4
615A		Oil pump screen screw lockwasher (5/16")	41418R	4
11305A		Oil pump screen screw lock wire	BB-23818	1
88237A		Oil pressure regulator assembly (includes next 7 items) ...	BB-23895	1



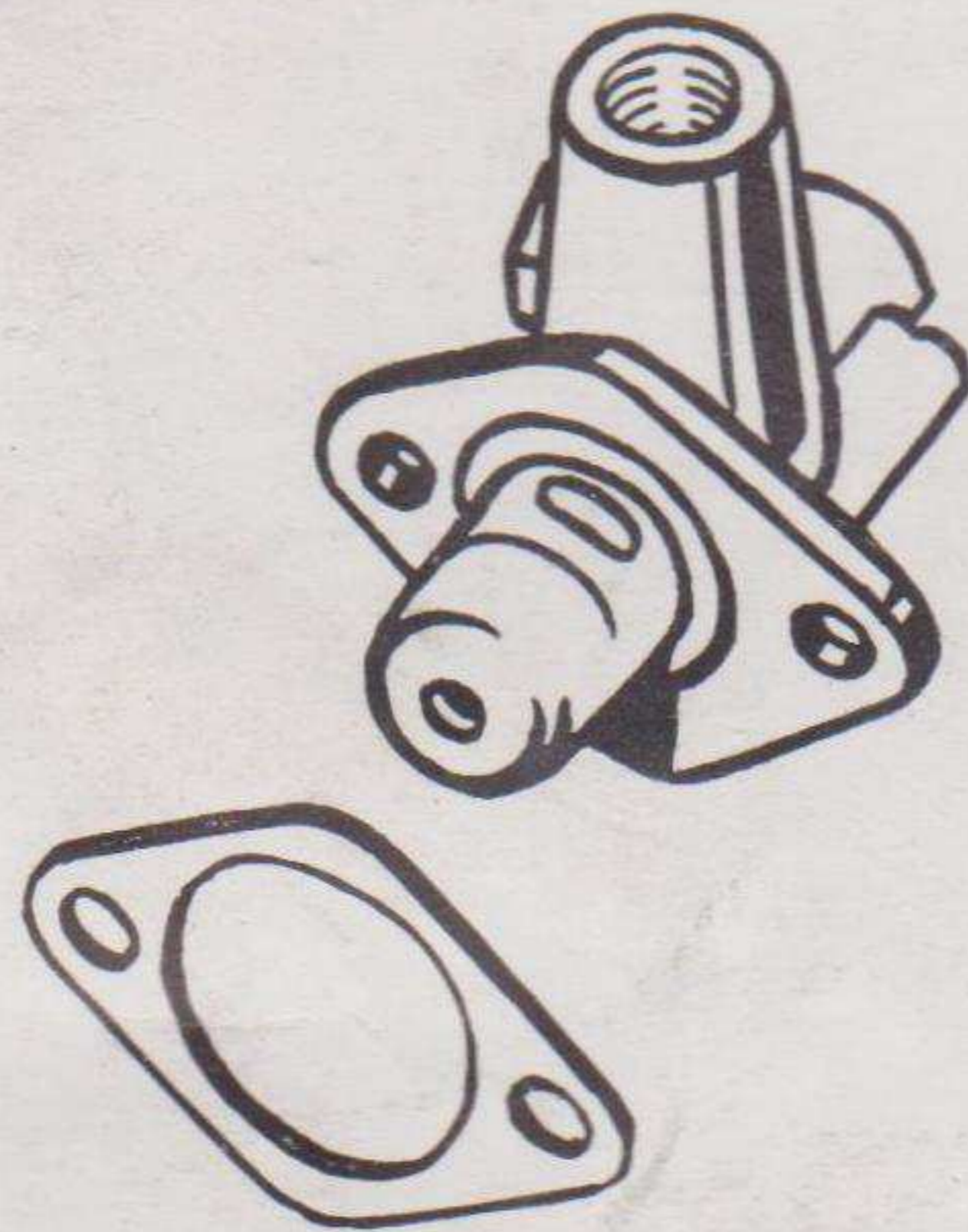
1. Nut	BB-23812	7. Oil pump drive shaft	BB-23807	12. Oil pump rear cover	BB-23804
2. Oil pump drive gear	BB-23810	8. Oil pump intermediate shaft	BB-23814	13. Dowel pin	BB-23805
3. Thrust washer	BB-23809	9. Oil pump gear key	DX-215	14. Oil pump screen	BB-23816
4. Front cover	BB-23803	10. Oil pump body	BB-23802	15. Screen screw	BB-23817
5. Drive gear key	DX-287A	11. Oil pump idler shaft	BB-23815	16. Screen washer	17825F
6. Oil pump gear	BB-23813				

Code	Mfr. No.	Description	Order by this Number	Quantity Required
88238B		Oil pressure regulator body	BB-23897	1
15243A		Oil pressure regulator valve piston	31385F	1
8571A		Oil pressure regulator valve spring	31387F	1
31242A		Oil pressure regulator valve adjusting screw	13915R	1
8573A		Oil pressure regulator valve adjusting screw lock nut	31390F	1
8574A		Oil pressure regulator valve cap nut	31393F	1
8575A		Oil pressure regulator valve gasket	31391F	2
88239A		Oil pressure regulator attaching gasket	BB-23896	1
1864A		Oil pressure regulator attaching screw (3/8x1"-16)	DX-112	4
342A		Oil pressure regulator attaching screw lockwasher (3/8")	DX-254	4
88588DS		Oil pump oil line assembly	BB-23820	1
88183A		Oil pump oil line assembly attaching gasket	BB-23821	4
4039A		Oil pump oil line tube flange attaching screw (5/16x3/4"-18)	31356J	6
267A		Oil pump oil line tube flange attaching screw lock wire	1104R	3
615A		Oil pump oil line tube flange attaching screw lockwasher (5/16")	41418R	10
14017A		Oil pump oil line assembly attaching screw	BB-23822	3
267A		Oil pump oil line assembly attaching screw lock wire	1104R	3
342A		Oil pump oil line assembly attaching screw lockwasher	DX-254	3
11556A		Oil pump oil line tube flange attaching screw	BB-23823	2
267A		Oil pump oil line tube flange attaching screw lockwire	1104R	1
12153A		Oil pump oil line attaching screw (5/16x1 1/2"-18)	BB-23824	2
267A		Oil pump oil line attaching screw lockwire	1104R	2
88078E		Oil pan	BB-23574	1

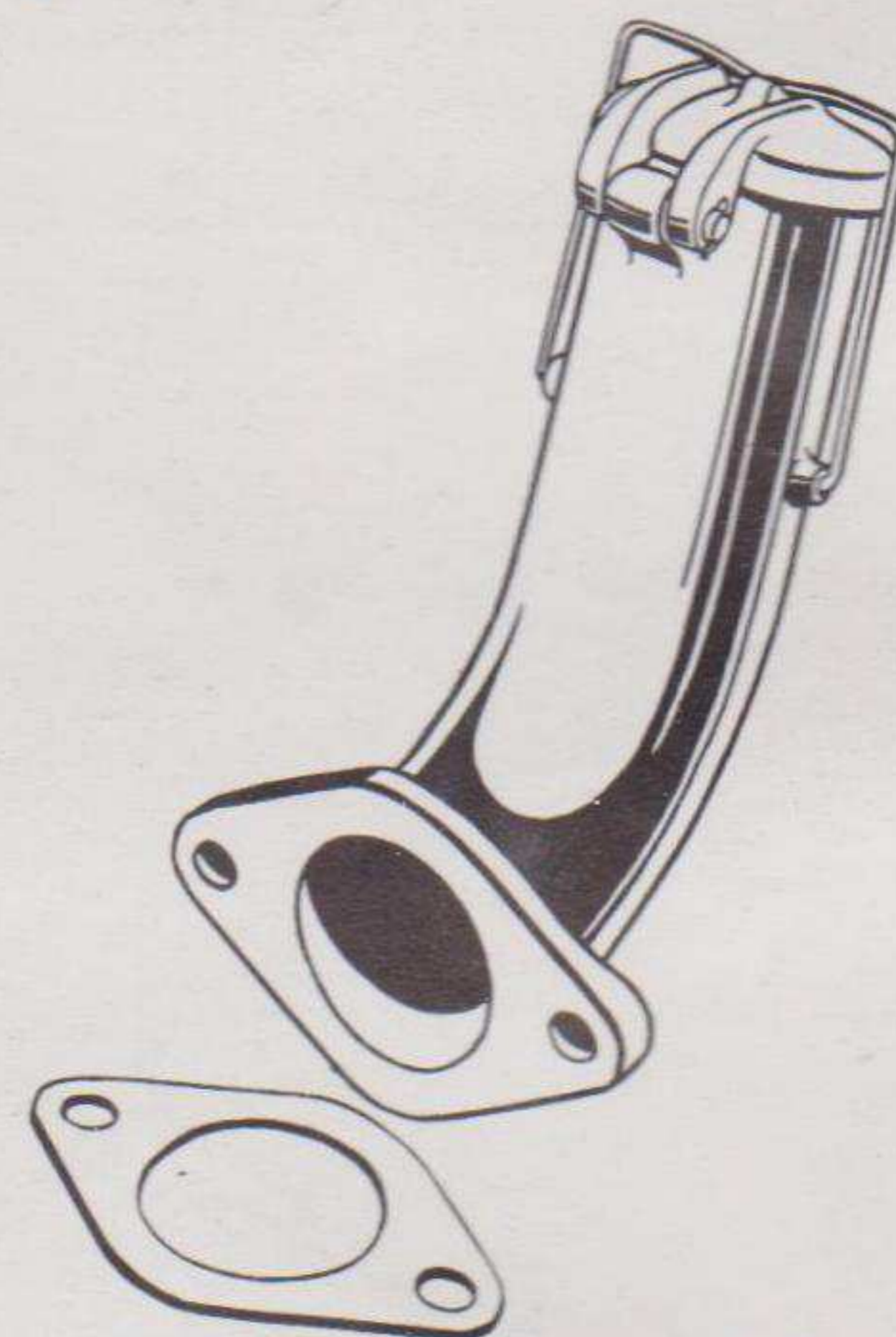


1. Oil pan	BB-23574	6. Oil line attaching screw	BB-23823	10. Oil line attaching gasket	BB-23821
2. Oil pan strainer cap plug	BB-11314	7. Oil line assembly	BB-23820	11. Oil pan attaching lock washer	DX-258
3. Oil pan strainer assembly	BB-23581	8. Oil pan bayonet gauge	BB-23835	12. Oil pan attaching screw (flat head)	DX-692
4. Oil line attaching screw	31356J	9. Oil pan bayonet gauge tube assembly	BB-23836	13. Oil pan attaching screw	DX-142F
5. Oil line attaching screw	BB-23824				

Code	Mfr. No.	Description	Order by this Number	Quantity Required
88580B		Oil pan gasket — R.H.	BB-23576	1
88581B		Oil pan gasket — L.H.	BB-23577	1
4593A		Oil pan screw (1/2x1"-13)	DX-692	8
14394A		Oil pan screw (1/2x1 1/8"-13)	DX-142F	20
312A		Oil pan screw lockwasher (1/2")	DX-258	20
4570A		Oil pan to bell housing screw (5/8x1 1/2"-11)	DX-156	5
4023A		Oil pan to bell housing screw plain washer	BB-23578	5
1126A		Oil pan to bell housing screw lock washer (5/8")	DX-262	5
88578BS		Oil pan strainer assembly	BB-23581	1
88583B		Oil pan strainer gauze	BB-23584	1
14867A		Oil pan strainer cap plug	BB-11314	1
296A		Oil pan strainer cap plug gasket	BB-11315	1
8146A		Oil pan strainer cap gasket	31227J	1
4156A		Oil pan strainer cap attaching stud	57978R	6
312A		Oil pan strainer cap lockwasher (1/2")	DX-258	6
626A		Oil pan strainer cap nut (1/2"x20)	DX-1091	6
88880BS		Oil pan bayonet gauge assembly	BB-23835	1
88888BS		Oil pan bayonet gauge tube assembly	BB-23836	1
296A		Oil pan bayonet gauge tube sleeve gasket	BB-11315	1



Viscometer Instrument



Oil Filler Assembly

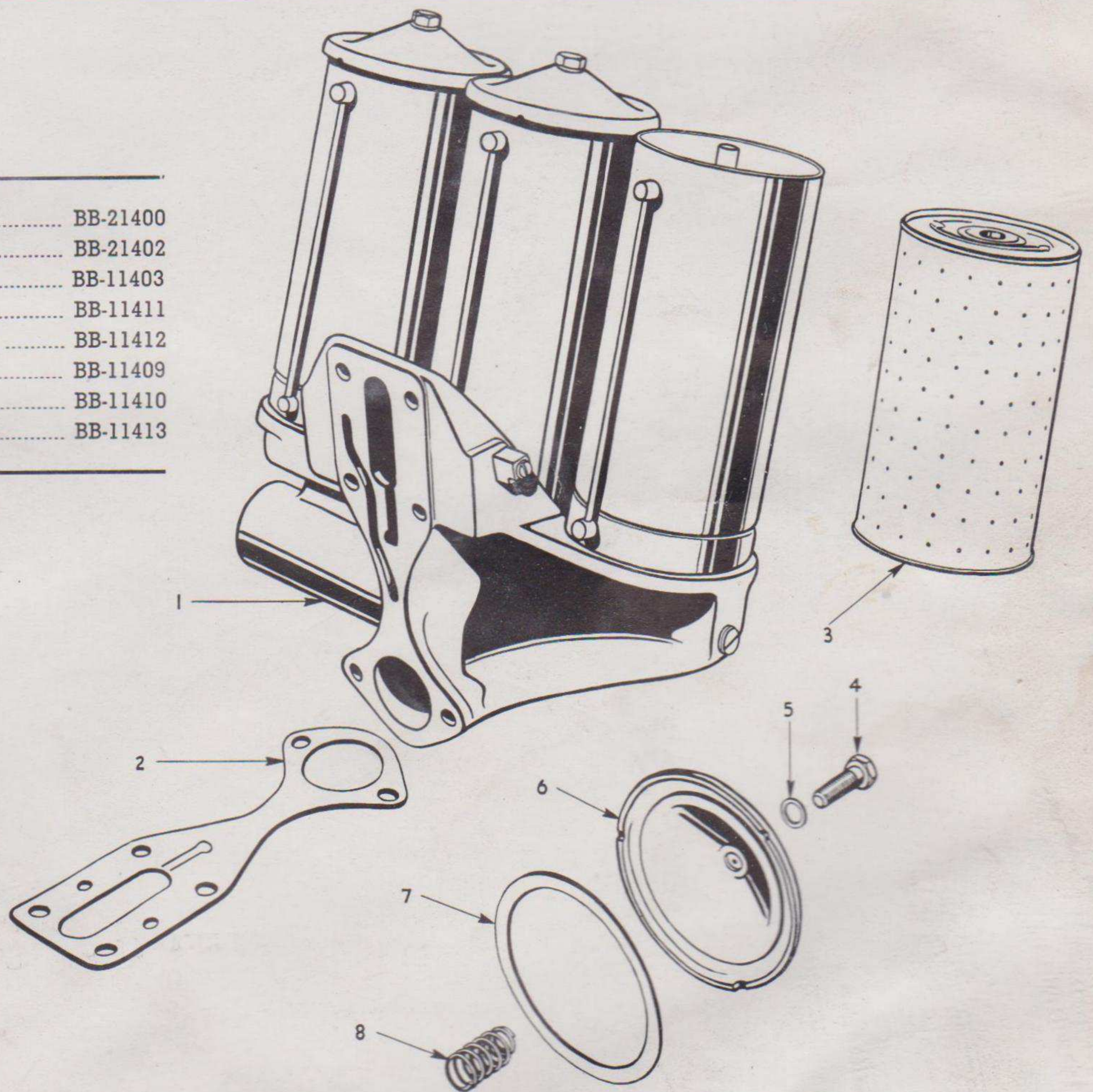
88616CS		Oil filler assembly	BB-23530	1
88617B		Oil filler body	BB-23531	1
19065B		Oil filler cap	13543R	1
19067A		Oil filler cap gasket	13544R	1
19066A		Oil filler cap bail wire	13545R	1
4647A		Oil filler cap hinge pin	13546R	1
10A		Oil filler cap hinge pin cotter pin (1/16x1/2")	DX-212A	1
11513A		Oil filler body gasket — to valve tappet cover	BB-23535	1
14430A		Oil filler body attaching stud	BB-23536	2
312A		Oil filler body attaching stud lockwasher (1/2")	DX-258	2
626A		Oil filler body attaching stud nut (1/2"-20)	DX-1091	2
400060		Oil pressure gauge assembly No. 0 to 80	DX-5884	1
400070		Oil pressure gauge bezel assembly	BB-28740	1
93291		Oil pressure gauge mounting bracket	BB-28734	1
12372		Oil pressure gauge mounting bracket nut No. 10-32	BB-28728	2
5052		Oil pressure gauge mounting bracket nut L.W.	DX-251	2
		Oil gauge flexible line	N-9325	1
		Oil gauge flexible line connector	DX-3590JJ	1
		Oil gauge flexible line to compressor clip	DT-4143AR	1
		Viscometer flexible line	N-17325	1
11352A		Viscometer opening cover	BB-23825	1
14405A		Viscometer opening cover gasket	13828R	1
14404A		Viscometer opening cover screw	BB-23826	2
14403A		Viscometer opening cover screw lockwasher	BB-23827	2

DIAMOND T MOTOR CAR COMPANY

0107
ENGINE

Code	Mfr. No.	Description	Order by this Number	Quantity Required
88622A		Viscometer instrument tube	BB-23828	1
11543A		Viscometer instrument tube tee	BB-23829	1
11203A		Viscometer instrument tube tee nut	BB-23830	1
14409BSY		Viscometer instrument assembly	13827R	1
14405A		Viscometer instrument gasket	13828R	1
14404A		Viscometer instrument screw (No. 12-24x ⁵ / ₈ ")	BB-23826	2
14403A		Viscometer instrument screw lockwasher (No. 12)	BB-23827	2
85944A		Viscometer instrument tube insulation	BB-23831	1
88910DS		Oil filter assembly	BB-21400	1
88912B		Oil filter gasket	BB-21402	1
4156A		Oil filter stud (1/2x1 ³ / ₄ ")	57978R	4
3164A		Oil filter stud (1/2x1-11/16")	1222H	1
4747A		Oil filter stud (1/2x2 ³ / ₄ ")	BB-21401	1
626A		Oil filter stud nut (1/2"-20)	DX-1091	6
312A		Oil filter stud nut lockwasher (1/2")	DX-258	6

1. Oil filter assembly	BB-21400
2. Oil filter gasket	BB-21402
3. Oil filter element assembly	BB-11403
4. Oil filter case cover screw	BB-11411
5. Oil filter case cover screw gasket	BB-11412
6. Oil filter case cover	BB-11409
7. Oil filter case cover gasket	BB-11410
8. Oil filter case cover spring	BB-11413

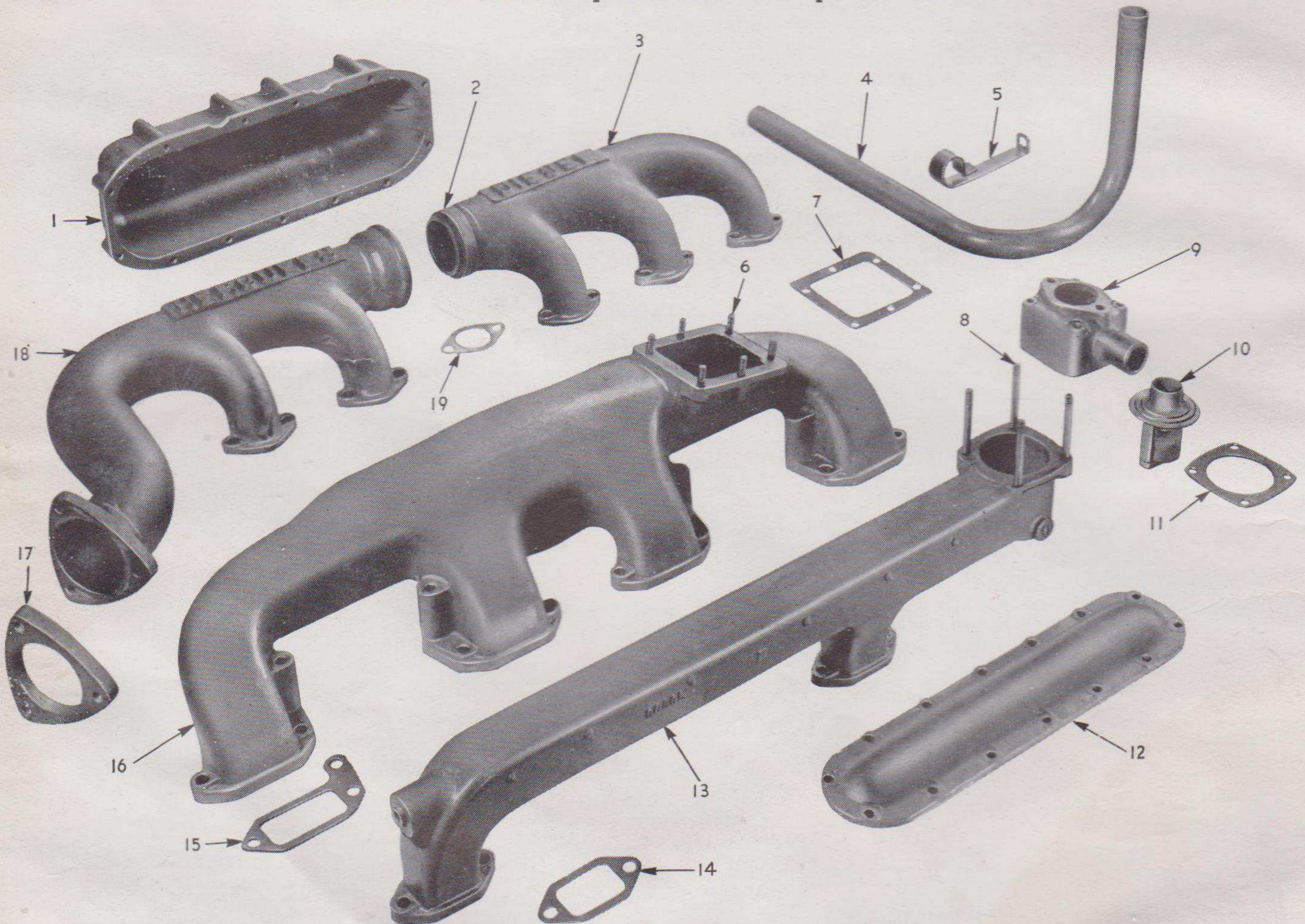


88911D	Oil filter bracket	BB-21403	1
5294	Oil filter unit assembly	BB-21405	3
61A	Oil filter bracket pipe plug (3/8" std. — slotted)	11338 F	2
4312A	Oil filter bracket pipe plug (1/2" std. — sq. hd.)	DX-611A	1
5213C31	Oil filter element assembly	BB-11403	3
5267	Oil filter case assembly	BB-3404	3
11369	Oil filter case gasket	BB-21421	3
11733	Oil filter center tube assembly	BB-3406	3

Code	Mfr. No.	Description	Order by this Number	Quantity Required
	11734	Oil filter case retaining plate	BB-3407	3
	11584	Oil filter case pipe plug	BB-11408	3
	5241	Oil filter case cover assembly	BB-3409	3
	11582	Oil filter case cover gasket	BB-11410	3
	11559	Oil filter case cover	BB-11409	3
	11581	Oil filter case cover screw gasket	BB-11412	3
	11580	Oil filter case cover screw	BB-11411	3
	11583	Oil filter case cover spring	BB-11413	3
	11735	Oil filter case clamp bolt	BB-3410	3
	11532A	Water pump discharge hose	BB-21430	1
	11693A	Water pump discharge hose clamp	BB-21432	2

0108 — Manifold

88623D	Exhaust manifold — front half	BB-23330	1
88624D	Exhaust manifold — rear half	BB-23331	1
30544A	Exhaust manifold connecting ring	BB-23333	1
88048B	Exhaust manifold companion flange	BB-23337	1
85035A	Exhaust manifold gasket	BB-23332	6
1317A	Exhaust manifold to cylinder head stud nut	31027F	12
794A	Exhaust manifold to cylinder head stud plain washer	1231R	12



1. Cylinder head cover.....	BB-23300	8. Thermostat housing stud	BB-27778	15. Air intake manifold attaching gasket	BB-23343
2. Connecting ring	BB-23333	9. Thermostat housing	BB-27776	16. Air intake manifold.....	BB-23340
3. Exhaust manifold — front half	BB-23330	10. Thermostat	BB-27775	17. Companion flange	BB-23337
4. Thermostat by-pass tube.....	BB-27779	11. Thermostat housing gasket.....	BB-27777	18. Exhaust manifold — rear half	BB-23331
5. Clamp	BB-27781	12. Valve tappet cover.....	BB-23429	19. Gasket	BB-23332
6. Starter burner housing stud.....	BB-23352	13. Cylinder water outlet manifold	BB-27772		
7. Starter burner housing gasket	BB-23351	14. Cylinder water outlet manifold gasket	BB-27773		

DIAMOND T MOTOR CAR COMPANY

Code	Mfr. No.	Description	Order by this Number	Quantity Required
		Manifold flange bolt (1/2x1 1/2"-13)	N-70251D	3
		Manifold flange bolt lockwasher (1/2")	N-7460Z	3
		Manifold flange bolt plain washer (1/2")	N-6460C	3
88646D		Air intake manifold	BB-23340	1
88633A		Air intake manifold attaching gasket	BB-23343	4
4603A		Air intake manifold attaching screw (1/2x1 5/8"-13)	DX-135	8
14532A		Air intake manifold attaching screw (1/2x3 3/4"-13)	DX-142A	4
312A		Air intake manifold attaching screw lockwasher (1/2")	DX-258	12
88997CS		Starter burner assembly	BB-23349	1
70804C		Starter burner housing	BB-23350	1
70852B		Starter burner housing gasket	BB-23351	1
1151A		Starter burner housing stud	BB-23352	6
752A		Starter burner housing stud nut (3/8"-24)	DX-177	6
342A		Starter burner housing stud lockwasher (3/8")	DX-254	6
88988C		Starter burner housing cover	BB-23353	1
14395A		Starter burner housing cover screw (1/4x1 1/4"-20)	DX-103	3
4195A		Starter burner housing cover screw (1/4x1 1/2"-20)	DX-104	1
14162A		Starter burner housing cover screw plain washer	BB-23354	4
628A		Starter burner housing cover screw lockwasher	DX-4289H	4
70806A		Starter burner high tension electrode	BB-23355	1
70807A		Starter burner high tension electrode retainer	BB-23356	1
85204A		Starter burner high tension electrode gasket	BB-23357	1
70808A		Ground electrode	BB-23364	1
628A		Ground electrode lockwasher	DX-4289H	1
51363AS		Spark coil (Delco Remy — 1115481)	BB-23365	1
12222A		Spark coil felt padding	BB-23366	1
51371AS		Spark coil high tension cable	BB-23367	1
70799A		Starting burner nozzle	BB-23358	1
70794A		Starting burner nozzle lock nut	BB-23359	1
70795A		Starting burner nozzle adaptor	BB-23360	1
304A		Starting burner nozzle lock nut wire	1340R	1
70797BS		Starting burner primary pump	BB-23361	1
14670A		Starting burner fuel tee	BB-23362	1
51315AS		Pressure switch	BB-23368	1
51373AS		Pressure switch to coil cable	BB-23369	1
4414A		Starting burner fuel nipple	BB-23363	1
51372AS		Ground wire	BB-23370	1
14069A		Ground wire screw (1/4x3/4"-20)	DX-100	1
628A		Ground screw lockwasher (1/4")	DX-4289H	1
51376A		Terminal connector	BB-23371	2
9367A		High tension cable insulating nipple	BB-23372	2
11535A		Terminal insulator	BB-23373	2
11627A		Starting burner insulating tube	BB-23374	1

0109 — Flywheel, Ring Gear and Housing

88480-3C		Flywheel with ring gear	BB-23600	1
88483C		Flywheel ring gear	BB-23603	1
88429D		Bell housing	BB-23605	1
88430C		Bell housing gasket	BB-23610	1
4570A		Bell housing to crankcase screw (5/8x1 1/2"-11)	DX-156	3
1124A		Bell housing to crankcase stud nut (5/8"-18)	DX-1032C	5
1126A		Bell housing to crankcase stud lockwasher (5/8")	DX-262	8
86353A		Bell housing oil seal	BB-23606	1
4571A		Bell housing to torque arm screw (5/8x3 1/2"-11)	DX-164	4
1126A		Bell housing to torque arm screw lockwasher (5/8")	DX-262	4
85055B		Starter hole cover	BB-23444	1
14257A		Starter attaching stud	BB-23445	2
11508A		Starter attaching stud	BB-23446	1
1124A		Starter attaching stud nut — lower	DX-1032C	2
11144A		Starter attaching stud nut — thin — upper	BB-23447	1

**0109
ENGINE
0200
CLUTCH**

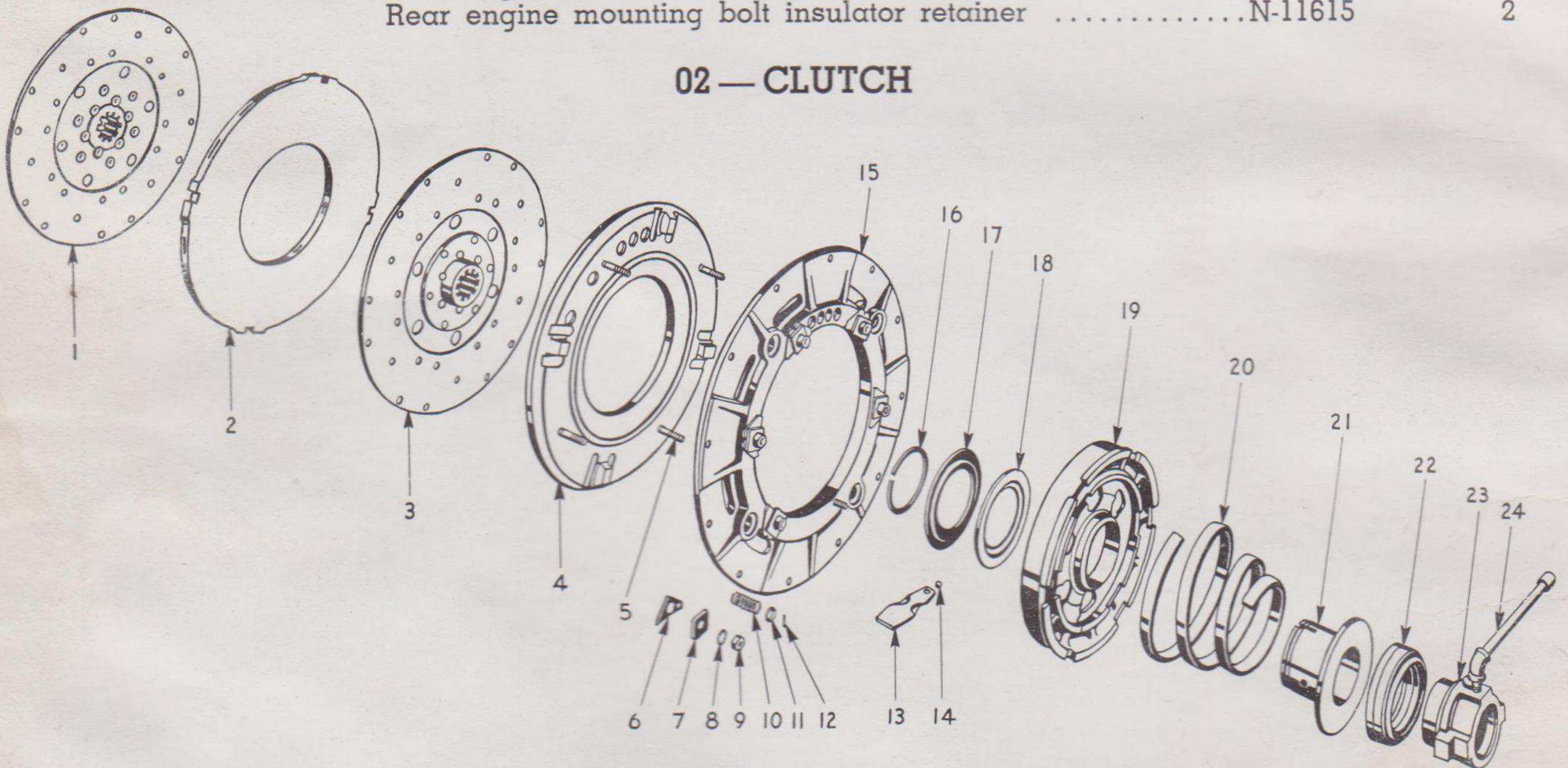
980 — 6 x 4 — PARTS LIST

Code	Mfr. No.	Description	Order by this Number	Quantity Required
1126A		Starter attaching stud nut lockwasher	DX-262	3
86354A		Bell housing timing pointer	BB-23620	1
1536A		Bell housing timing pointer screw (1/4x3/8"-20)	31363J	2
628A		Bell housing timing pointer screw lockwasher (1/4")	DX-4289H	2

0110 — Mountings

Front engine support	N-3378	1
Front engine support clamp bolt (5/8x3"-18)	N-38251F	1
Front engine support clamp bolt nut (5/8"-18)	N-12311D	1
Front engine support clamp bolt lockwasher (5/8")	N-7460Y	1
Front engine support grease fitting	N-2568D	1
Front engine support spacer	N-42384	2
Front engine support shim	N-42384A	2
Front engine bolt (3/4x4 1/4"-16)	N-39251G	4
Front engine support bolt nut (3/4"-16)	N-13311B	4
Front engine support bolt cotter pin (1/8"x1 1/4")	N-21265J	4
Front engine support shim	N-46384B	9
Rear engine mounting bolt	DT-3404	4
Rear engine mounting bolt nut (5/8"-18 cast.)	N-13311A	4
Rear engine mounting bolt cotter pin (1/8"x1 1/8")	N-21265H	4
Rear engine mounting bolt insulator	N-7206	2
Rear engine mounting bolt spring	DT-6145	4
Rear engine mounting bolt spring washer	DT-444G	4
Rear engine mounting bolt insulator retainer	N-11615	2

02 — CLUTCH



1. Clutch disc—flywheel side	BB-22070	9. Stud nut	DX-577	17. Fulcrum ring	22084J
2. Intermediate plate	BB-22072	10. Retracting spring	22077J	18. Fulcrum ring	22084J
3. Clutch disc—pressure plate side	BB-22071	11. Retracting spring washer	22089J	19. Adjusting plate	22082J
4. Pressure plate	22076J	12. Retracting spring retaining pin	22081J	20. Pressure spring	22088J
5. Stud	22078J	13. Pressure lever	22083J	21. Release sleeve	22091J
6. Adjusting shim	22086J	14. Fulcrum ring ball	22090J	22. Release bearing	BB-22045
7. Adjusting strap	22087J	15. Flywheel ring with studs	22080J	23. Release bearing carrier	BB-22041
8. Stud nut lock washer	DX-255	16. Release sleeve snap ring	22085J	24. Bearing carrier oil pipe	BB-22042

0200 — Clutch Assembly

Z38S15	Clutch assembly (W. C. Lipe)	DX-5922	1
	Clutch mounting bolt	N-16251F	12
	Clutch mounting bolt L.W.	N-7460AB	12

DIAMOND T MOTOR CAR COMPANY

0201
0204
CLUTCH

Code	Mfr. No.	Description	Order by this Number	Quantity Required
0201 — Clutch Disc				
Z-15-8 and PL-110		Clutch disc with facing — flywheel side.....	BB-22070	1
C-18-93		Clutch disc facing package (2 facings with rivets) flywheel side	BB-22075	1
Z-15-8 and PL-111		Clutch disc with facing — pressure plate side	BB-22071	1
C-18-93		Clutch disc facing package (2 facings with rivets) pressure plate side	BB-22075	1
X-14-16		Clutch disc facing rivet	BB-12072	60
0202 — Cover, Pressure Plate and Springs				
A-C1-9		Clutch pressure plate with studs	22076J	1
X-21-11		Clutch pressure plate stud	22078J	4
C-6-4		Clutch pressure plate retracting spring	22077J	4
C-66-1		Clutch pressure plate retracting spring washer	22089J	4
C-7-3		Clutch pressure plate retracting spring retaining pin	22081J	4
AC-2-27		Clutch flywheel ring with studs	22080J	1
X-21-12		Clutch flywheel ring stud	22079J	6
C-20-1		Clutch flywheel ring adjusting shim	22086J	42
C-10-2		Clutch flywheel ring adjusting strap	22087J	6
X-4-20		Clutch flywheel ring stud nut	DX-577	6
X-10-23		Clutch flywheel ring stud nut L.W.	DX-255	6
C-3-36		Clutch adjusting plate	22082J	1
C-5-4		Clutch pressure spring	22088J	1
C-25-6		Clutch intermediate plate	BB-22072	1
C-26-4		Clutch intermediate plate driving pin	BB-22073	4
0203 — Release Lever, Bearings, Forks, Etc.				
AC-4-35		Clutch release sleeve	22091J	1
C-40-1		Clutch release sleeve spring stop pin	22092J	1
C-13-11		Clutch release sleeve fulcrum ring	22084J	2
X-17-7		Clutch release sleeve fulcrum ring ball	22090J	20
C-8-21		Clutch pressure lever	22083J	20
C-11-4		Clutch release sleeve snap ring	22085J	1
CWY-88		Clutch release bearing	BB-22045	1
1610		Clutch release bearing alemite	N-2568F	1
6082		Clutch release bearing carrier	BB-22041	1
5233-6085		Clutch release bearing carrier oil pipe and nipple assembly	BB-22042	1
3231		Clutch release bearing carrier oil pipe elbow	BB-22043	1
4425		Clutch oil pipe tension spring	BB-22046	2
A-615		Clutch oil pipe assembly complete — with elbow	BB-22044	1
		Clutch release shaft lever	N-8124	1
		Clutch release shaft lever bolt	N-45251A	1
		Clutch release shaft lever bolt nut	N-12311J	1
		Clutch release shaft lever bolt L.W.	N-7460AD	1
		Clutch release shaft lever key	N-2515B	1
		Clutch release shaft idler lever	N-14152	1
7181		Clutch pedal shaft	BB-28015	1
4416		Clutch throwout shaft — short	BB-22004	1
		Clutch throwout shaft alemite	N-2568F	2
A-590		Clutch release yoke assembly — with bolts	BB-22005	1
2862		Clutch release yoke — only	BB-22006	1
X-7-603		Clutch release yoke screw (3/8 — 24x1" Hex)	DX-573	2
X-6-11		Clutch release yoke key (Woodruff key #11)	DX-287F	1
0204 — Clutch Pedal				
		Clutch pedal	N-16117	1
		Clutch pedal pad	N-5489	1
		Clutch pedal seal	N-7312A	2
		Clutch pedal bushing	N-21492	4
		Clutch pedal connecting yoke rod	N-1134U	1
		Clutch pedal connecting yoke rod yoke	N-8222A	1

0204
0205
CLUTCH
0300
FUEL SYSTEM

980 — 6 x 4 — PARTS LIST

Code	Mfr. No.	Description	Order by this Number	Quantity Required
		Clutch pedal connecting yoke rod yoke nut	N-12311C	1
		Clutch pedal connecting yoke rod yoke pin	N-22265C	2
		Clutch pedal connecting yoke rod yoke C.P.	N-21265F	2
		Clutch pedal pull back spring	DT-3802A	1
		Clutch pedal pull back spring anchor	DX-2927	1
		Clutch pedal pull back spring anchor bolt	N-47251E	1
		Clutch pedal pull back spring anchor bolt nut	N-12311B	1
		Clutch pedal pull back spring anchor bolt L.W.	N-7460AB	1

0205 — Clutch Pilot Bearing

ND-7506

Clutch pilot bearing	DX-5948	1
----------------------------	---------	---

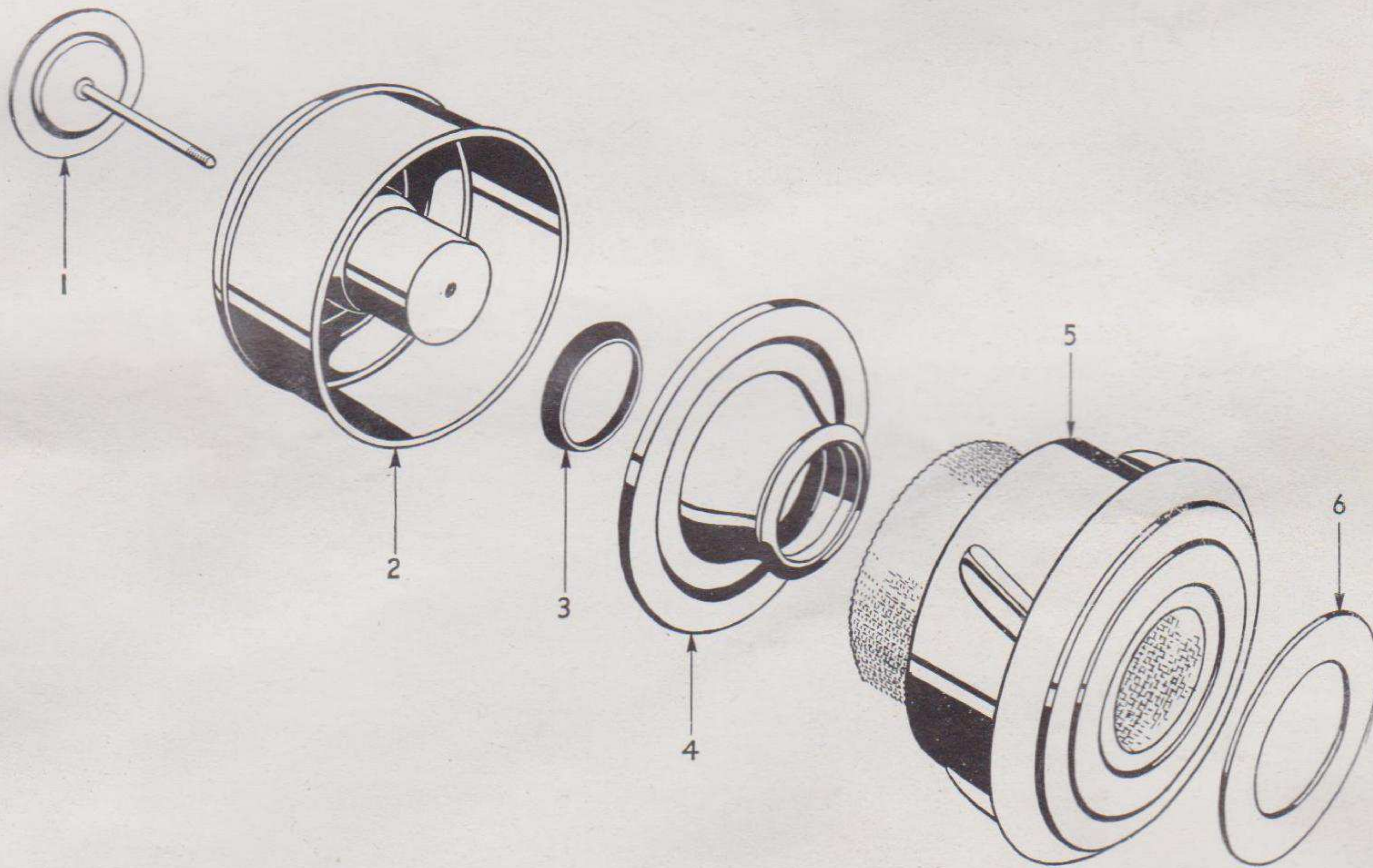
03 — FUEL SYSTEM

0300 — Fuel Tank

Fuel tank	N-25207	2
Fuel tank filler fitting	N-8293	2
Fuel tank filler cap	N-3313	2
Fuel tank gauge unit	N-6305	2
Fuel tank gauge unit flange	DT-7369	2
Fuel tank gauge unit gasket	DX-3936	2
Fuel tank gauge unit screw (No. 10-32x $\frac{1}{2}$ ").....	N-60251KK	10
Fuel tank gauge unit screw lockwasher (No. 10)	N-7460S	10
Fuel tank outlet flange	N-6502	4
Fuel tank outlet flange plug ($\frac{3}{8}$ I.P.).....	DX-611B	2
Fuel tank drain plug ($\frac{1}{4}$ I.P.).....	DX-615	2
Fuel tank suction tube	N-20345	2
Fuel tank anti-squeak — top	N-10360A	8
Fuel tank anti-squeak — bottom	N-10360A	8
Fuel tank shield — top	N-4388	2
Fuel tank shield strap rivet (3/16x $\frac{1}{2}$ " F.H.).....		32
Fuel tank shield anti-squeak rivet (9/64x7/16" S.B.).....		16
Fuel tank shield strap with anti-squeak	N-6256	8
Fuel tank shield strap end	N-1452	8
Fuel tank shield strap end rivet (3/16x $\frac{1}{2}$ " F.H.).....		32
Fuel tank shield strap anti-squeak (3/16x2 $\frac{1}{2}$ x18-9/16")	N-10360B	8
Fuel tank shield strap anti-squeak rivet (9/64x $\frac{3}{8}$ " S.B.)		32
Fuel tank shield strap end bolt — rear	N-38251K	4
Fuel tank shield strap end bolt nut	N-13311A	4
Fuel tank shield strap end bolt plain washer	N-6460D	4
Fuel tank shield strap end bolt — front	N-38251E	4
Fuel tank shield strap end bolt spring	DT-3835	4
Fuel tank shield strap end bolt plain washer	N-6460D	4
Fuel tank shield strap end bolt nut	N-13311A	4
Fuel tank shield strap end bolt cotter pin	N-21265J	8
Fuel tank shield gauge unit cover	N-10553	2
Fuel tank shield gauge unit cover bolt	N-47251G	4
Fuel tank shield gauge unit cover bolt lockwasher	N-7460AB	4
Fuel tank shield — rear — R. H.	N-9388R	1
Fuel tank shield — rear — L. H.	N-9388L	1
Fuel tank shield bolt — lower ($\frac{1}{4}$ x $\frac{5}{8}$ "-28)	N-48251H	10
Fuel tank shield bolt — top ($\frac{1}{4}$ x $\frac{3}{4}$ "-28)	N-48251A	10
Fuel tank shield bolt nut ($\frac{1}{4}$ "-28)	N-12311A	10
Fuel tank shield bolt lockwasher ($\frac{1}{4}$ ").....	N-7460AC	20
Fuel tank shield bolt plainwasher ($\frac{1}{4}$ ").....	N-6460L	10
Fuel tank mudshield bolt (corner)	N-48251H	4
Fuel tank mudshield bolt nut	N-12311A	4
Fuel tank mudshield bolt lockwasher	N-7460AC	4

DIAMOND T MOTOR CAR COMPANY

Code	Mfr. No.	Description	Order by this Number	Quantity Required
0301 — Air Cleaner				
	557-OBN	Air cleaner assembly	BB-23341	2
	88751A	Air cleaner adapter screw	BB-23342	2
	AH-1557	Air cleaner upper assembly	BB-23316	2
	AH-1317N	Air cleaner lower assembly	BB-23317	2
	AH-157N	Air cleaner top and skirt assembly only	BB-23318	2
	AH-18	Air cleaner filter element only	BB-23319	2
	AH-21N	Air cleaner T-plate only	BB-23320	2
	AH-131	Air cleaner lower bowl only	BB-23321	2
	AH-4	Air cleaner Decalcomania	BB-23322	2
	AH-177	Air cleaner baffle plate	BB-23323	2
	AH-6RF	Air cleaner felt riser gasket	BB-23324	2
	AH-15	Air cleaner wing nut	BB-23325	2
	AH-16N	Air cleaner center stem	BB-23326	2
	AH-61	Air cleaner top gasket	BB-23327	2
	AH-33	Air cleaner bottom plate	BB-23328	2
	AH-62	Air cleaner bottom plate gasket	BB-23329	2



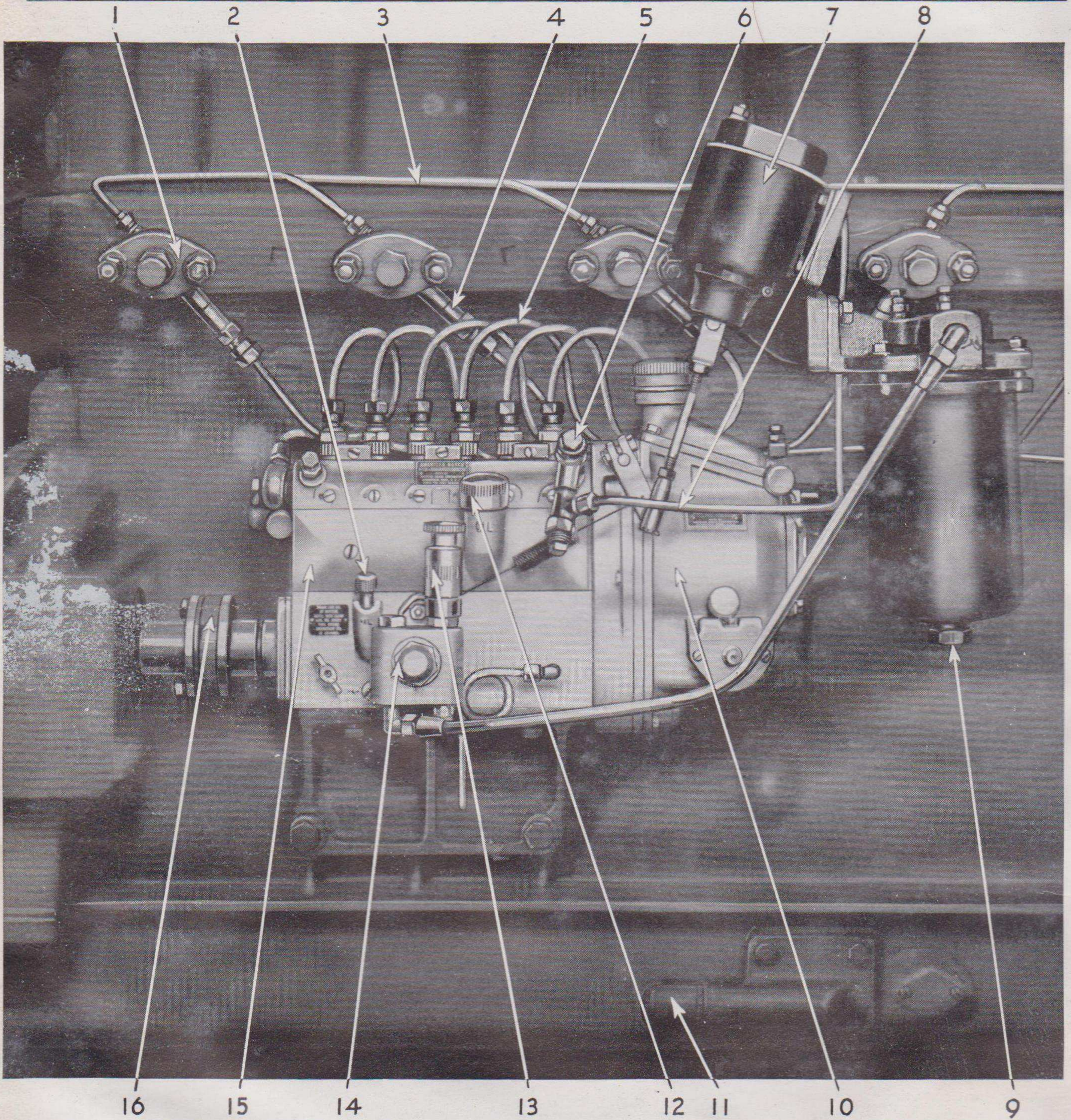
1. Bottom plate	BB-23329	4. Baffle plate	BB-23323
2. Lower bowl	BB-23321	5. Top and skirt assembly	BB-23318
3. Felt riser gasket	BB-23324	6. Top gasket	BB-23327

0302 — Fuel Pump, Filters, Tubing and Fittings

88958DS	Fuel pump assembly	BB-33850	1
NP-7626	Name plate	BB-3800	1
BC-7635-4A	Plunger and barrel assy. 9 mm. dia.	BB-3801	6
PMB-3/2X	Control sleeve	BB-3802	6
PZR-44/1X	Control gear segment	BB-3803	6
WSR-2100/2X	Control gear segment clamping screw.....	BB-3804	6
PL-7611A	End plate, consists of next 2 parts	BB-3805	2
PL-7613	End plate	BB-3806	2
PK-764	Packing	BB-3807	2
NKL-6/17Z	Ball bearing	BB-3808	2
PAC-59/2X	Camshaft	BB-3809	1
WMS-2215/1X	Oil thrower	BB-3810	2

**0302
FUEL SYSTEM**

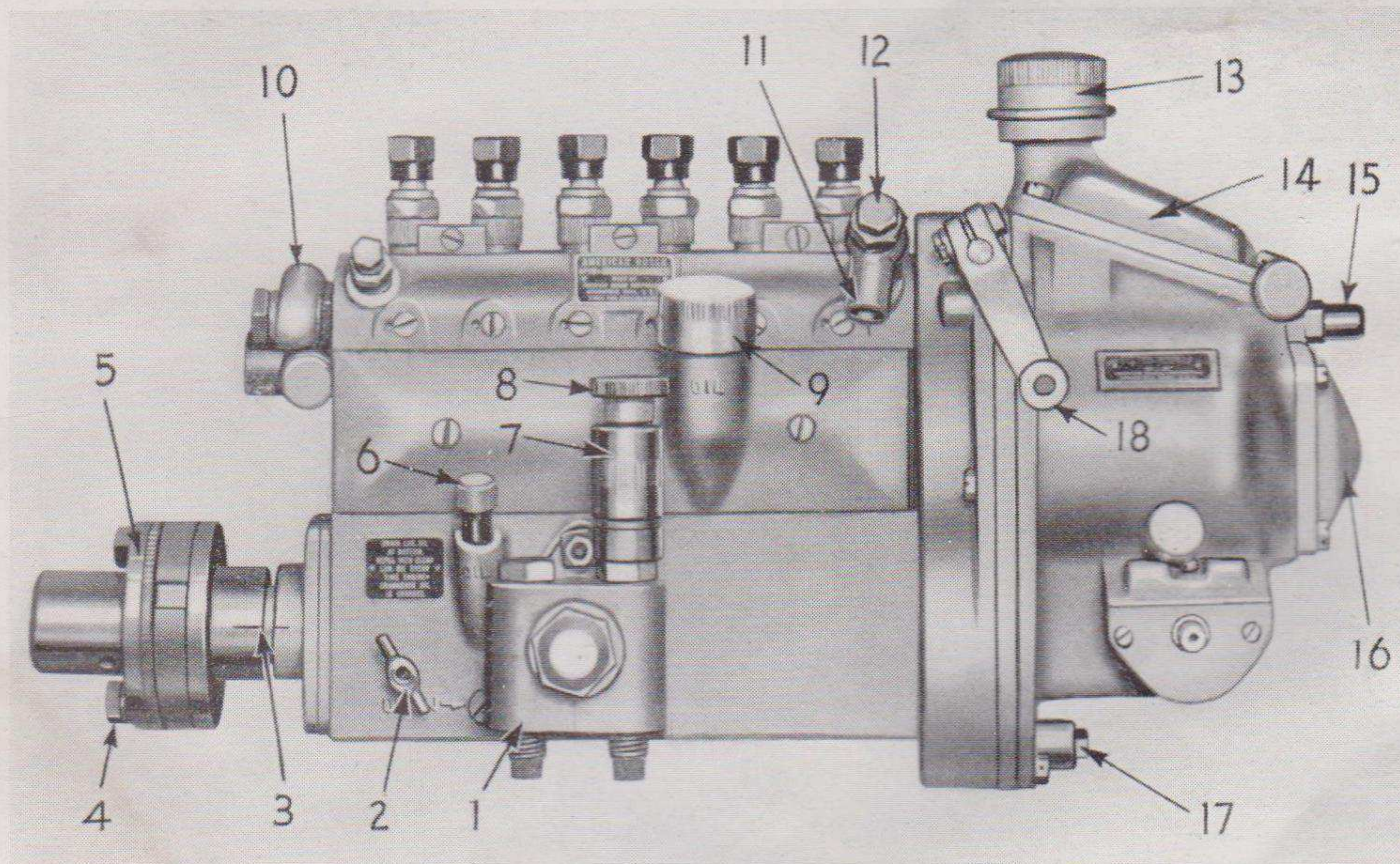
980 — 6 x 4 — PARTS LIST



1. Nozzle holder clamp plate	BB-23845	6. Check valve	BB-3873	12. Oil filler cover	BB-3854
2. Oil level gauge	BB-3863	7. Fuel cut-off switch	BB-23882	13. Hand priming pump	BB-3897
3. Fuel leak-off line	BB-23848	8. Fuel by-pass line.....	See No. 3	14. Fuel transfer pump	BB-13871
4. Nozzle assembly	BB-23840	9. Fuel filter	BB-27300	15. Injector pump	BB-33850
5. Fuel line (injector pump to nozzle)	BB-23864	10. Governor	BB-23851	16. Drive coupling flange disc	13737R
		11. Oil pressure regulator	BB-23895		

Code	Mfr. No.	Description	Order by this Number	Quantity Required
	HG-76277A	Pump housing assy., consisting of pump housing, lubricating oil gauge rod bushing (these parts not supplied separately) and parts 16A to 16F	BB-3811	1

Code	Mfr. No.	Description	Order by this Number	Quantity Required
BG-763		Control rod bushing — inner	BB-3812	2
SC-7970		Drain plug	BB-3813	1
WBO-2141/1X		Stud for fuel supply pump (lower 2)	BB-3814	2
FI-765		Overflow cock	BB-3815	1
PRV-27/2X		Inspection cover stud	BB-3816	2
NP-7618		Lubricating instruction plate	BB-3817	1
SC-150-2		Drive rivet for lubricating instruction plate	BB-3818	2
NSR-1A1X		Pipe plug	BB-3819	1
HP-7645		Delivery valve holder	BB-3820	6
WNS-2034/4X		Barrel set screw gasket	BB-3821	6
WSR-2099/3X		Barrel set screw	BB-3822	6
VA-7636A		Delivery valve and seat	BB-3823	6
WNR-2021/3X		Delivery valve holder gasket	BB-3824	6
SP-7617		Delivery valve spring	BB-3825	6
NSR-1A3X		Pipe plug	BB-3826	1
SC-7614		Closing plug	BB-3827	1
NMS-601/2X		Fuel supply pump stud washer	BB-3828	3
NMS-412/1X		Fuel supply pump stud lock washer	BB-3829	3
NSR-734/19X		End plate screw	BB-3830	4
CV-7671A		Camshaft protection cover	BB-3831	1
NSR-734/25X		Camshaft protection cover screw	BB-3832	4
WMS-101/11X		Camshaft adjusting washer — 0.1 mm. thick	BB-3833	as req'd
WMS-101/27X		Camshaft adjusting washer — 0.13 mm. thick	BB-3834	as req'd
WMS-101/25X		Camshaft adjusting washer — 0.3 mm. thick	BB-3835	as req'd
RD-7691		Control rod	BB-3836	1
NMU-44/2X		Hexagon nut	BB-3837	3
PMS-7/2X		Plunger spring seat — upper	BB-3838	6
WSF-2205A1X		Plunger spring	BB-3839	6
PMS-6/1X		Plunger spring seat — lower	BB-3840	6
PKB-41/1Z		Tappet assy., consists of next 6 parts	BB-3841	6

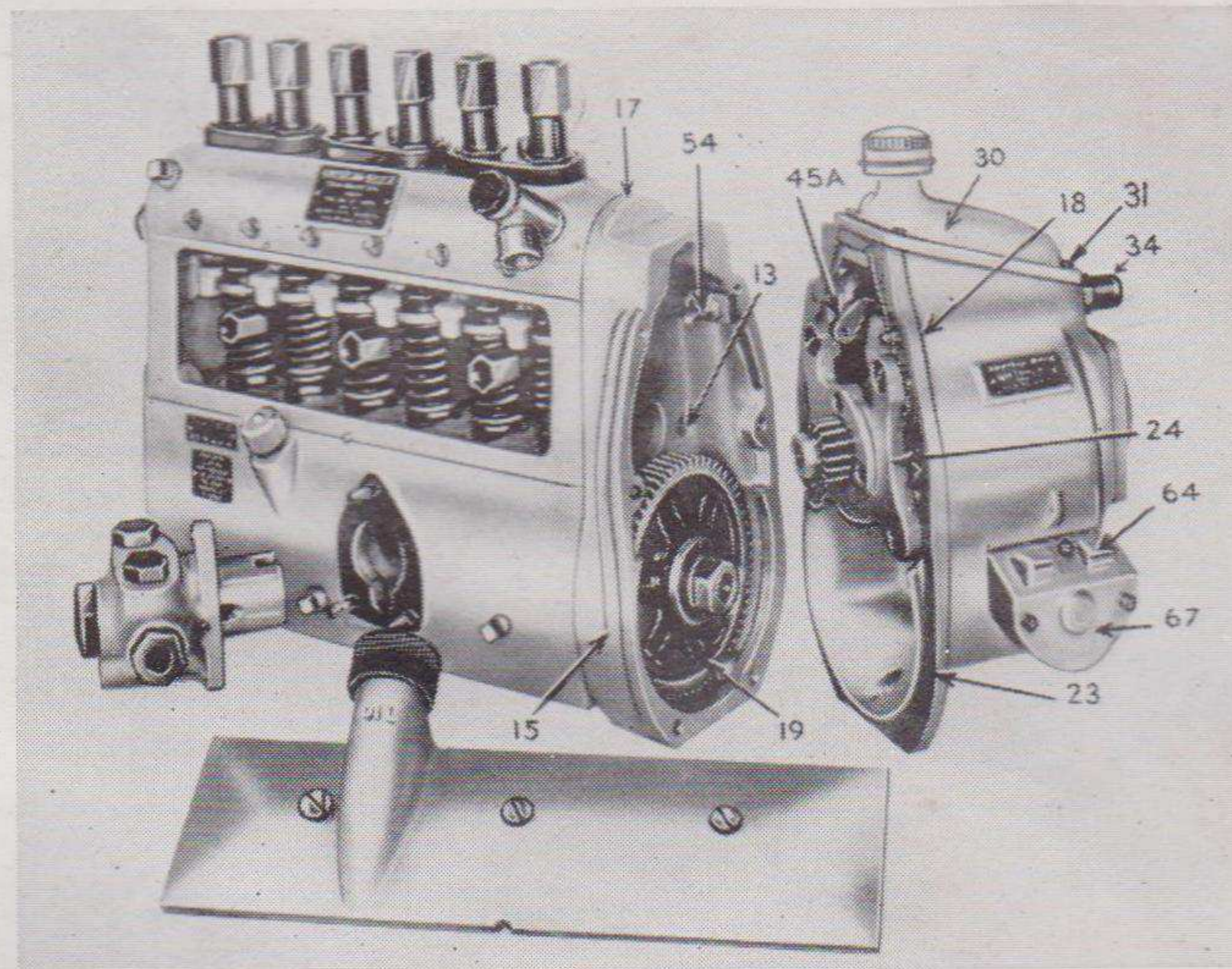


1. Transfer pump	BB-13871	7. Priming pump	BB-3897	13. Inspection cover cap	BB-3945
2. Oil level cock	BB-3815	8. Priming pump plunger.		14. Governor inspection cover	BB-3940
3. Timing mark.		9. Oil filler cover	BB-3854	15. Adjusting screw cap	BB-3985
4. Bolt	13734R	10. Fuel inlet union	BB-3874	16. End cap	BB-3979
5. Timing mark.		11. Outlet fitting	BB-3874	17. Drain plug	BB-3949
6. Dip stick	BB-3863	12. Check valve	BB-3873	18. Operating lever	BB-3988

0302 FUEL SYSTEM

980 — 6 x 4 — PARTS LIST

Code	Mfr. No.	Description	Order by this Number	Quantity Required
	PSR-3/1X	Tappet screw	BB-3842	6
	WMU-2066/2X	Tappet screw lock nut	BB-3843	6
	PKB-41/1X	Tappet shell	BB-3844	6
	PBO-1/1X	Tappet pin	BB-3845	6
	PMB4/1X	Tappet roller bushing	BB-3848	6
	PRL-1/3X	Tappet roller	BB-3849	6
	SD-762	Stud for fuel supply pump (long).....	BB-3846	1
	GA-76135	Gasket between end plates	BB-3847	1
	GA-7642	Fuel supply pump gasket.....	BB-3850	1
	PVU-2/1X	Closing plug	BB-3851	6
	CV-7632-1A	Inspection cover, consists of next 3 parts.....	BB-3852	1
	CV-7621-1	Inspection cover	BB-3853	1
	CV-7635A	Oil hole cover	BB-3854	1
	GA-7649	Inspection cover gasket.....	BB-3855	1
	SC-7625	Inspection cover screw.....	BB-3856	2
	NMR-11/3X	Spring washer	BB-3857	2
	PPT-22/2X	Felt cushion	BB-3858	6
	NKE-5/1X	Woodruff key	BB-3859	1
	WA-5-16	Lock washer	BB-3860	1
	WMU-511/2X	Hexagon nut	BB-3861	1
	SC-150-2	Drive rivet for name plate.....	BB-3818	2
	RD-7682A	Lubricating oil gauge rod.....	BB-3863	1
	BG-765	Flush control rod bushing — outer.....	BB-3864	2
	PG-763	Lead plug	BB-3865	6
	PBE-11/5X	Clamping shoe — countersunk	BB-3866	3
	PBE-11/6X	Clamping shoe — threaded	BB-3867	3
	WSR-2164/401X	Clamping screw	BB-3868	3
	WSR-2125/1X	Control rod securing screw.....	BB-3869	1
	FI-7621	Bleeder cock	BB-3870	1
	VA-768A	Check valve in top of housing at R. H. side.....	BB-3873	1
	WRV-6A1X	Retainer screw	BB-23872	1
	PVE-48A2X	Valve plate	BB-23873	1
	WSF-2215/1X	Valve spring	BB-23874	1

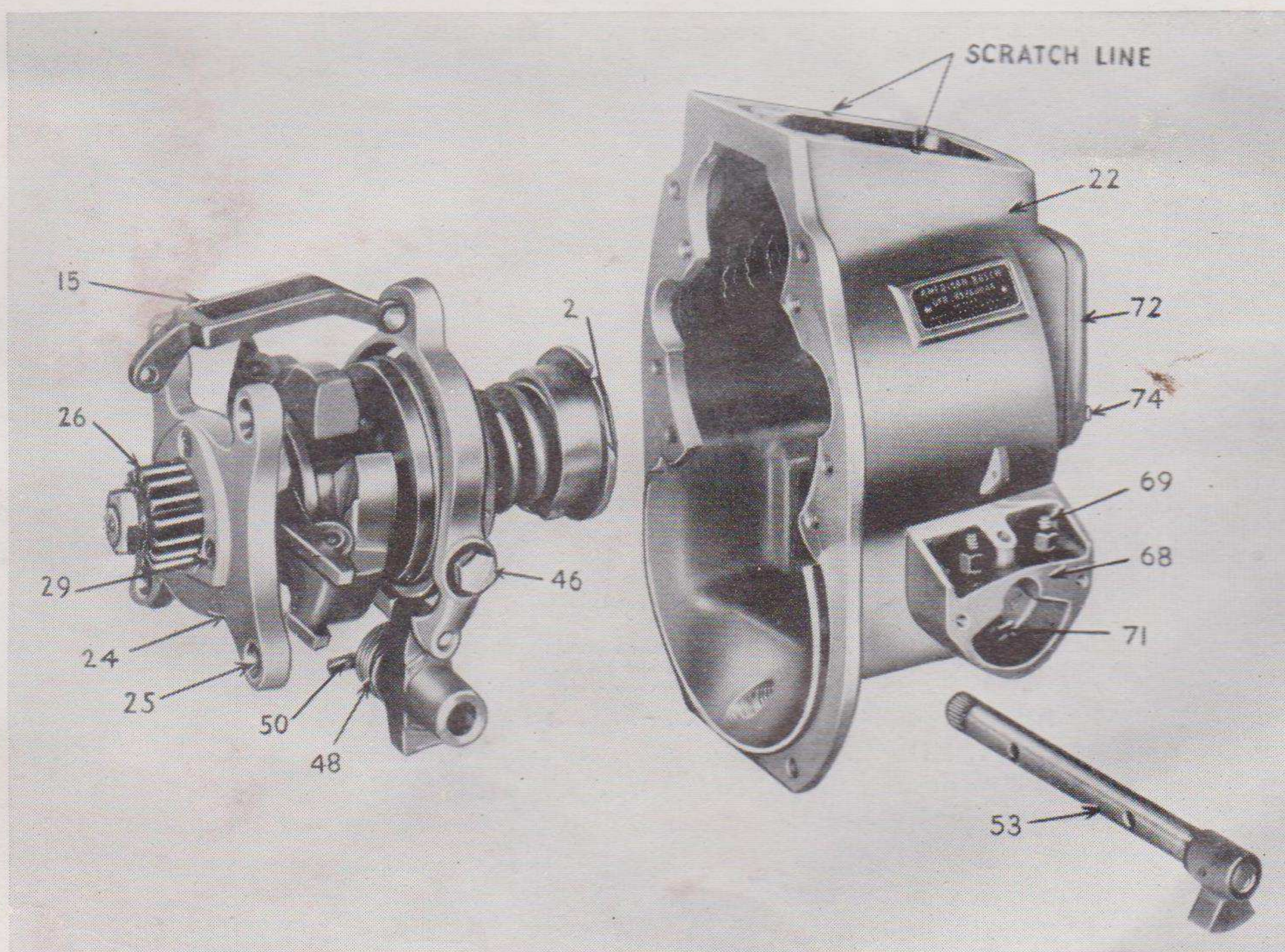


15. Governor housing	BB-3915	31. Inspection cover screw	BB-3941
17. Housing gasket	BB-3917	34. Adjusting screw	BB-3947
18. Screw	BB-3920	45α. Extension arm	N. S. S.
19. Drive gear	BB-3923	54. Control rod pin	BB-3960
23. End cover gasket	BB-3933	64. Cover plate	BB-3971
24. Bearing bridge	BB-3934	67. Cover plate	BB-3974
30. Inspection cover	BB-3940		

DIAMOND T MOTOR CAR COMPANY

0302
FUEL SYSTEM

Code	Mfr. No.	Description	Order by this Number	Quantity Required
	PSR-1A1X	Valve screw	BB-23875	1
	NRV-3A1X	Angular union	BB-3874	1
	WMR-2041/7X	Gasket	BB-3875	2
	PVE-1A1Z	Valve proper	BB-23878	1
	MRV-5A1X	Reducing nipple	BB-23879	1
	NRV-3A1X	Angular fuel inlet union at L. H. side.....	BB-3874	1
	WMR-2041/7X	Fuel inlet union gasket.....	BB-3875	2
	WRV-2105/1X	Union nut at L. H. side.....	BB-3876	1
	NRV-11/1X	Fuel inlet union retaining screw.....	BB-3877	1
	GVA-250/800B29	Governor	BB-3872	1
	BB-799	End cap ball bearing	BB-3899	1
	NT-793	Spring seat nut	BB-3900	1
	WA-796	Lock washer	BB-3901	1
	GU-798/1	Spring seat	BB-3902	1
	SR-796	Outer spring spacer.....	BB-3903	as req'd
	SR-797/1	Inner spring spacer (.020").....	BB-3904	as req'd
	SR-797/2	Inner spring spacer (.042").....	BB-3905	as req'd
	SR-797/3	Inner spring spacer (.058").....	BB-3906	as req'd
	SR-797/4	Inner spring spacer (.083").....	BB-3907	as req'd
	SP-7927/3	Governor springs	BB-3908	as req'd
	SV-794A	Sleeve assy. complete (individual parts not supplied separately)	BB-3909	1
	WT-7915A	Governor weight and shaft assy. (individual parts not supplied separately)	BB-3910	1
	PL-799	Bearing plate	BB-3911	1
	BB-791	Ball bearing	BB-3912	1
	NSR494/22X	Governor housing screw.....	BB-3913	6



2. Spring seat	BB-3902	29. Bearing plate screw	BB-3939	68. Stop flange	BB-3975
15. Fulcrum yoke assy.	BB-3951	46. Pivot screw	BB-3952	69. Stop screw	BB-3976
22. End cover	BB-3932	48. Lever spring	BB-3954	71. Screws	BB-3978
24. Bearing bridge	BB-3934	50. Set screw	BB-3956	72. End cap	BB-3979
25. Screw	BB-3935	53. Lever shaft	BB-3959	74. End cap screw	BB-3982
26. Driven gear	BB-3936				

**0302
FUEL SYSTEM**

980 — 6 x 4 — PARTS LIST

Code	Mfr. No.	Description	Order by this Number	Quantity Required
SC-7975		Governor housing screw.....	BB-3914	1
HG-79115		Governor housing only	BB-3915	1
SC-7641		Securing plug	BB-3916	1
GA-7984		Governor housing gasket	BB-3917	1
WA-22-8CA		Lock washer	BB-3918	6
WA-7916		Washer	BB-3919	6
SC-67298		End cover screw	BB-3920	6
GE-7922A		Drive gear assy. consisting of next 8 parts	BB-3921	1
HB-797		Drive gear hub	BB-3922	1
GE-795		Drive gear	BB-3923	1
SR-794/1		Adjusting spacer (0.035").....	BB-3924	as req'd
SR-794/2		Adjusting spacer (0.049").....	BB-3925	as req'd
SR-794/3		Adjusting spacer (0.065").....	BB-3926	as req'd
DC-791		Drive gear spring disc.....	BB-3927	1
WA-795		Lock washer	BB-3928	1
NT-795		Gear nut	BB-3929	1
NT-7918CA		Camshaft nut	BB-3930	1
WA-5-16		Lock washer	BB-3860	1
CV-79117A		Governor end cover with bearings and dowel pin.....	BB-3932	1
GA-7988		Governor end cover gasket.....	BB-3933	1
BK-799		Bearing bridge	BB-3934	1
SC-63-8BL		Bearing bridge screw	BB-3935	4
GE-796		Driven gear	BB-3936	1
NT-793		For driven gear nut	BB-3900	1
WA-796		Lock washer	BB-3901	1
SC-57-7BL		Bearing plate screw	BB-3939	3
CV-7975		Inspection cover	BB-3940	1
SC-7963		Inspection cover fastening screw.....	BB-3941	4
WA-7916		Washer	BB-3919	4
WA-22-8CA		Lock washer	BB-3918	4
GA-7992		Inspection cover gasket	BB-3944	1
CV-76119A		Breather cap	BB-3945	1
SP-7946A		Bumper spring assy. consists of spring and button.....	BB-3946	1
SC-7940		Adjusting bumper spring screw.....	BB-3947	1
NT-798		Adjusting screw lock nut.....	BB-3948	1
SC-7657		Drain plug	BB-3949	1
GA-7996		Drain plug gasket	BB-3950	1
LE-7933A		Fulcrum yoke assy. (Individual parts not supplied separately) ..	BB-3951	1
SC-7929		Pivot screw	BB-3952	2
WA-22-10		Pivot screw lock washer.....	BB-3953	2
SP-7929		Operating lever spring.....	BB-3954	1
PL-798A		Spring hub	BB-3955	1
SC-7930		Spring hub set screw.....	BB-3956	1
PK-795		Operating lever shaft oil seal.....	BB-3957	2
BG-793		Operating lever shaft bearing.....	BB-3958	2
SH-7926A		Operating lever shaft assy. (individual parts not supplied separately)	BB-3959	1
PN-7917		Linkage pin	BB-3960	1
WA-22-6		Linkage pin lock washer	BB-3961	1
HP-795		Extension arm	BB-3962	1
SC-7937		Control rod screw	BB-3963	1
WA-22-6		Screw lock washer	BB-3961	1
NP-7631		Name plate	BB-3965	1
SC-150-2		Name plate drive rivet	BB-3818	2
LE-7952		Operating lever	BB-3967	1
SC-7961		Operating lever clamping screw	BB-3968	1
NT-7919		Operating lever castle nut	BB-3969	1
PN-2-20CA		Operating lever cotter pin.....	BB-3970	1
CV-7922		Stop flange cover	BB-3971	1
SC-7934		Cover plate screw.....	BB-3972	3
WA-6-4		Screw lock washer.....	BB-3973	2
CV-7921		Stop flange cover plate.....	BB-3974	1

DIAMOND T MOTOR CAR COMPANY

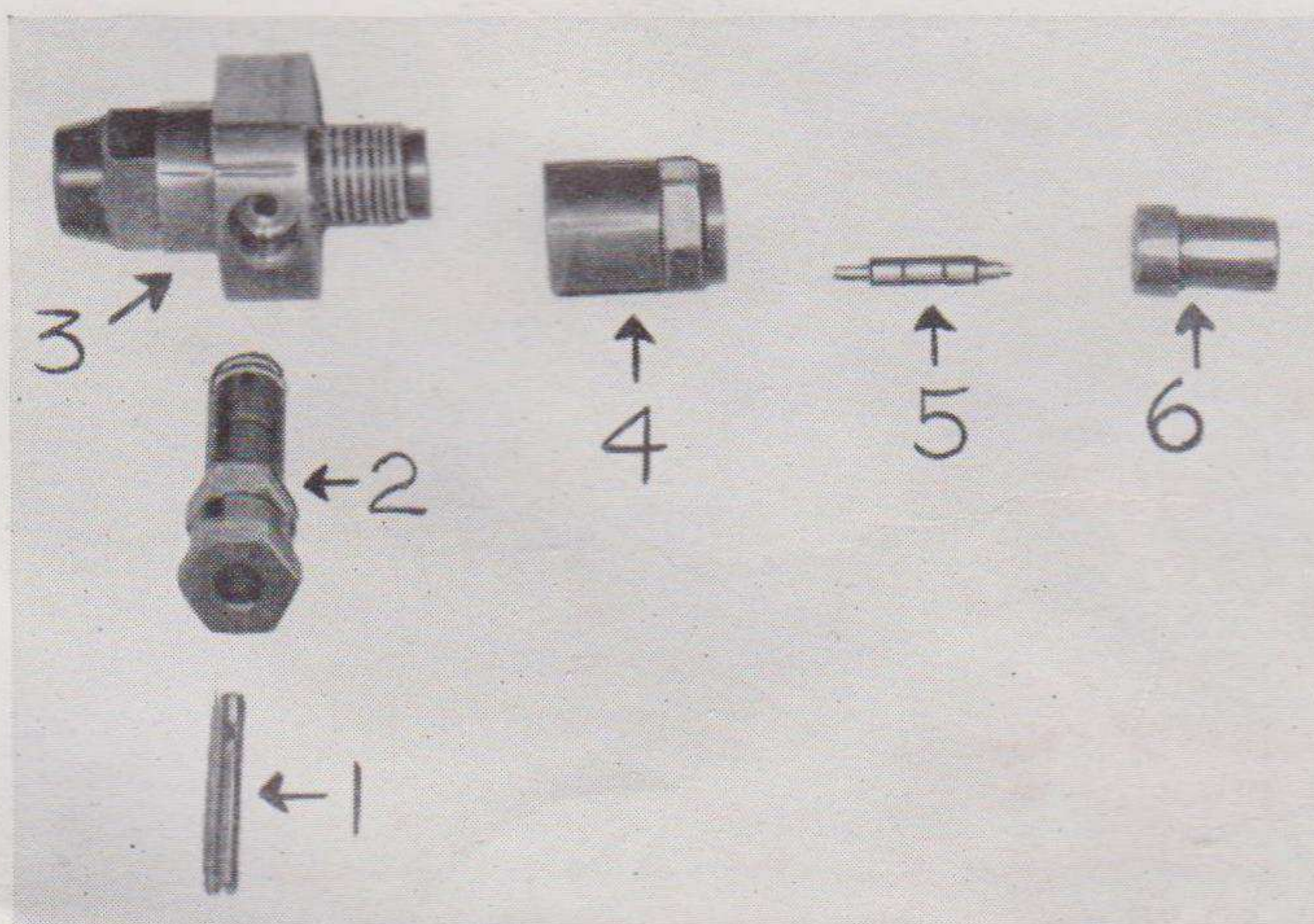
0302
FUEL SYSTEM

Code	Mfr. No.	Description	Order by this Number	Quantity Required
FL-798		Stop flange	BB-3975	1
SC-7938		Stop adustment screw.....	BB-3976	2
NT-796		Adustment screw lock nut.....	BB-3977	2
SC-61-8BL		Stop flange screw	BB-3978	3
CP-799		End cap	BB-3979	1
GA-7989		End cap gasket	BB-3980	1
BK-797		Stop plate bridge.....	BB-3981	1
SC-7963		Securing end cap screw.....	BB-3941	4
WA-7916		Securing screw washer.....	BB-3919	4
WA-22-8CA		Securing screw lock washer.....	BB-3918	4
CP-793		Bumper spring adusting screw cap.....	BB-3985	1
GA-7965		Bumper spring cap gasket.....	BB-3986	1
WA-1067		Stop plate nut washer.....	BB-3987	3
LE-7978		Shut-off lever	BB-3988	1
SC-7961		Shut-off lever clamping screw.....	BB-3968	1
LE-7945		Inner stop lever.....	BB-3990	1
SC-7647		Inner stop lever screw.....	BB-3991	1
SP-7944		Inner stop lever spring.....	BB-3992	1
SR-7913		Inner stop lever spacer	BB-3993	1
SH-7919		Shut-off arrangement shaft	BB-3994	1
PG-797		Shut-off lever shaft bore closing plug.....	BB-3995	1
PK-795		Shut-off lever shaft oil seal	BB-3957	1
NT-7919		Shut-off lever castle nut.....	BB-3969	1
PN-2-20CA		Shut-off lever cotter pin	BB-3970	1
AFP/K-16N524		Fuel supply pump	BB-13871	1
HG-7963A		Pump housing	BB-13878	1
PKB-45/1X		Plunger	BB-3879	1
SP-7919		Plunger spring	BB-3880	1
SC-7919A		Plunger spring retaining screw.....	BB-3881	1
WMR-2041/2X		Plunger spring retaining screw gasket <i>Q-132-01938.04</i>	BB-13881	1
WBO-2140/2X		Spindle	BB-13882	1
WSF-2197A1X		Tappet spring	BB-3883	1
PVE-46/1X		Tappet shell	BB-3884	1
WRL-2004/1X		Tappet roller	BB-3885	1
WBO-2174/1X		Wrist pin	BB-3886	1
PN-797		Securing pin	BB-3887	1
PVE-45/1X		Inlet and outlet valve.....	BB-3888	2
WSF-2196/4X		Valve spring	BB-3889	2
WVU-2097/1X		Valve spring retaining screw.....	BB-3890	1
WMR-2041/404		Valve spring retaining screw gasket	BB-13890	1
PSI-13/3Z		Filter	BB-3891	1
WRV-2105/1X		Reduction nipple	BB-3876	1
NRV-11/1X		Outlet union retaining screw.....	BB-3877	1
NRV-3A1X		Inlet and outlet union.....	BB-3874	2
WMR-2041/7X		Inlet and outlet union gasket.....	BB-3875	2
WRV-2119/1X		Inlet union retaining screw.....	BB-3896	1
FPUE-2A1Z		Hand-priming assy. complete, includes next part.....	BB-3897	1
FI-799		Adapter	BB-3898	1
88534B		Fuel pump coupling front hub	BB-23857	1
88120B		Fuel pump coupling rear hub	BB-23858	1
85134A		Fuel pump coupling flange	13733R	1
85135A		Fuel pump coupling flange disc	13737R	1
14138A		Fuel pump coupling screw	13734R	2
14299A		Fuel pump coupling screw washer	13352R	2
615A		Fuel pump coupling screw lockwasher	41418R	2
88528C		Fuel pump bracket	BB-23669	1
1701A		Fuel pump bracket screw (1/2x2"-13)	31106F	2
8533A		Fuel pump bracket screw (1/2x1 1/2"-13)	31022R	2
2210A		Fuel pump bracket dowel ring	31107F	2
312A		Fuel pump bracket screw lockwasher	DX-258	4
1864A		Fuel pump attaching screw	DX-112	4

0302 FUEL SYSTEM

980 — 6 x 4 — PARTS LIST

Code	Mfr. No.	Description	Order by this Number	Quantity Required
14416A		Fuel pump attaching screw plain washer	BB-7825	4
342A		Fuel pump attaching screw lockwasher	DX-254	4
81051AS		Fuel pump drain tube assembly	BB-23867	1
14406A		Fuel pump drain tube elbow	BB-1364	1
14407A		Fuel pump drain tube nut	BB-1365	1
14408A		Fuel pump drain tube ferrule	BB-1366	1
88341DS		Fuel pump fuel line — cylinder No. 1	BB-23861	1
88342DS		Fuel pump fuel line — cylinder No. 2	BB-23862	1
88343DS		Fuel pump fuel line — cylinder No. 3	BB-23863	1
88344DS		Fuel pump fuel line — cylinder No. 4	BB-23864	1
88345DS		Fuel pump fuel line — cylinder No. 5	BB-23865	1
88346DS		Fuel pump fuel line — cylinder No. 6	BB-23866	1
88118A		Fuel pump fuel line nut — at nozzle	BB-23868	6
12220A		Fuel pump fuel line ferrule	BB-23869	12
88119A		Fuel pump fuel line nut — at pump	BB-23870	6
88133A		Fuel pump fuel line clamp — for 3 lines	BB-23871	1
4187A		Fuel pump fuel line clamp screw (1/4x7/8"-20)	DX-101	2
628A		Fuel pump fuel line clamp screw lockwasher (1/4")	DX-4289H	2
88562BS		Fuel nozzle and holder assembly	BB-23840	6
88563BS		Fuel nozzle holder assembly	BB-23841	6
PDH-23/1X		Nozzle holder body	BB-3999	6
WMS-2055/2X		Fuel inlet stud gasket	BB-4000	6
SD-7827A		Fuel inlet stud with edge filter	BB-4001	6
SD-7828		Fuel inlet stud only — 14 mm. x 1.5 mm. thread on inlet connection	BB-4002	6
PSI-1/1X		Edge filter only	BB-4003	6
WBO-2057/7Z		Spindle with lower spring seat	BB-4004	6
WVU-2068/1X		Spring retaining cap nut	BB-4005	6
WSF-2044A1X		Pressure adjusting spring	BB-4006	6
WMU-2065/1X		Nozzle cap nut	BB-4007	6
Not used		Gasket between protection cap and pressure adjusting screw		
WMS-2157/400X		Pressure adjusting washer — 0.05 mm. thick	BB-4008	6
WMS-2157/1X		Pressure adjusting washer — 0.1 mm. thick	BB-4009	6
WMS-2157/2X		Pressure adjusting washer — 0.2 mm. thick	BB-4010	6
WMS-2157/3X		Pressure adjusting washer — 0.5 mm. thick	BB-4011	6
WMS-2157/4X		Pressure adjusting washer — 1.0 mm. thick	BB-4012	6



1. Fuel Inlet Stud Edge Filter.....	BB-4001	4. Nozzle Body Retaining Nut.....	BB-4007
2. Holder Fuel Inlet Stud.....	BB-4003	5. Fuel Nozzle Pintle.....	N. S. S.
3. Holder Assembly.....	BB-3999	6. Fuel Nozzle Body.....	BB-23842

DIAMOND T MOTOR CAR COMPANY

0302
FUEL SYSTEM

Code	Mfr. No.	Description	Order by this Number	Quantity Required
	WMS-2157/5X	Pressure adjusting washer — 2.0 mm. thick.....	BB-4013	6
	WMS-2157/6X	Pressure adjusting washer — 3.5 mm. thick.....	BB-4014	6
	85151A	Fuel nozzle body with valve	BB-23842	6
	85154A	Fuel nozzle clamp	BB-23845	6
	14142A	Fuel nozzle to cylinder block stud nut	BB-23844	12
	85856A	Fuel nozzle flared tube union	BB-23846	6
	1532A	Fuel nozzle flared tube union nut	V-14	6
	88829B	Fuel nozzle fuel inlet stud	BB-23847	6
	88840DS	Fuel nozzle leakoff manifold assembly	BB-23848	1
	3550A	Fuel nozzle leakoff connection tee assembly	BB-23849	1
	88889C	Fuel strainer and solenoid bracket	BB-23883	1
	1173A	Fuel strainer bracket screw ($\frac{7}{16} \times 1\frac{1}{4}$ "-14)	31239J	2
	335A	Fuel strainer bracket screw lockwasher ($\frac{7}{16}$ ")	DX-256	2
	85664CS	Fuel strainer assembly	BB-27300	1
	1864A	Fuel strainer screw ($\frac{3}{8} \times 1$ "-16)	DX-112	2
	342A	Fuel strainer screw lockwasher ($\frac{3}{8}$ ")	DX-254	2
	85667C	Fuel strainer head	BB-27306	1
	14573AS	Fuel strainer vent valve	13923R	2
	620A	Fuel strainer pipe plug	DX-615	2
	85666BS	Fuel strainer inner element assembly	BB-27301	1
	85669A	Fuel strainer inner element gasket	BB-27302	1
	85665BS	Fuel strainer outer element assembly	BB-27303	1
	85663A	Fuel strainer outer element gasket	BB-27304	1
	85644BS	Fuel strainer case assembly	BB-27305	1
	85670BS	Fuel strainer clamping ring assembly	BB-27307	1
	85645B	Fuel strainer clamping ring	BB-7304	1
	14567A	Fuel strainer clamping ring stud	BB-7305	4
	28A	Fuel strainer clamping ring stud nut ($\frac{5}{16}$ "-24)	DX-581	4
	8191A	Fuel strainer clamping ring stud washer	DX-553	4
	85668A	Fuel strainer clamping ring gasket	BB-7302	1
	14568A	Fuel strainer drain plug	13986R	1
	14569A	Fuel strainer drain plug gasket	13987R	1
	14570A	Fuel strainer filler plug	13979R	1
	14571A	Fuel strainer filler plug gasket	13980R	1
	88836C	Fuel strainer pipe (from transfer pump)	BB-23887	1
	88837C	Fuel strainer pipe (to injection pump)	BB-23886	1
	11544AS	Fuel strainer elbow assembly	BB-23885	3
	11545AS	Fuel strainer union assembly	BB-23884	1
	51351BS	Stop control solenoid	BB-23882	1
	BG-7618	Bushing for control stop rod.....	BB-4015	1
	PSR-10/1X	Adjusting screw	BB-4016	1
	NSP-4/5X	Cotter pin	BB-4017	1
	CV-7645	Neoprene boot	BB-4018	1
	1154A	Stop control solenoid screw ($\frac{1}{4} \times \frac{5}{8}$ "-20)	DX-105	4
	628A	Stop control solenoid screw lockwasher ($\frac{1}{4}$ ")	DX-4289H	4
		Fuel line clip-dash	N-3565J	2
		Fuel pressure gauge line ($\frac{1}{4}$ " O.D.)	DX-2709-30"	1
	41F	Fuel pressure gauge line loom ($\frac{5}{16}$ " I.D.)	DX-2725-28"	1
	105X4	Fuel pressure gauge line nut — gauge	DX-3590AK	1
		Fuel pressure gauge line nut — at flexible line	DX-3590A	1
		Gate valve — feed	DX-5975	2
		Gate valve to filter nipple	DX-533P	2
		Transfer pump fuel fitting tee	N-28345	1
		Transfer pump flexible line — suction	N-18325A	1
		Transfer pump flexible line connection — at tee	DX-3590BP	1
	400X6	Fuel pump fitting	DX-3590T	1

0302 FUEL SYSTEM

DIAMOND T MOTOR CAR COMPANY

Code	Mfr. No.	Description	Order by this Number	Quantity Required
		Fuel pump flexible line — return	N-11325	1
		Fuel pressure gauge line — at injector	DX-2709-44"	1
		Fuel pressure gauge line loom	DX-2725-42"	1
105X4		Fuel pressure gauge line nut — at flexible line	DX-3590A	1
68F		Fuel pressure gauge line connector	DX-3590AJ	1
161F		Fuel pressure gauge line nut	DX-3590BF	1
60F		Fuel pressure gauge line sleeve	DX-3590BG	1
		Fuel pressure gauge line clip	DX-5347	1
		Fuel pressure gauge line flexible line — at injector	N-15325A	1
		Flame thrower line — at transfer pump	DX-2709-44"	1
		Flame thrower line loom	DX-2725-42"	1
105X4		Flame thrower line nut — at flexible line	DX-3590A	1
250X8		Flame thrower line connector	DX-3590AS	1
		Flame thrower line flexible line — at transfer pump	N-15325A	1
		Flame thrower line — at flame thrower	DX-2709-41½"	1
		Flame thrower line loom	DX-2725-39½"	1
105X4		Flame thrower line nut — at flexible line	DX-3590A	1
68F		Flame thrower line connector — at manifold	DX-3590AM	1
161F		Flame thrower line nut	DX-3590BF	1
60F		Flame thrower line sleeve	DX-3590BG	1
		Flame thrower line clip	N-3565A	1
		Flame thrower line band clip	DX-5347	1
		Flame thrower line flexible line — at injector	N-15325A	1
69F		Flame thrower line elbow	DX-3590BE	2
		Flame thrower line — valve to transfer pump (¼" O.D. x 30")	DX-2709-30"	1
		Flame thrower line loom (5/16" I.D. x 28")	DX-2725-28"	1
105X4		Flame thrower line nut — at flexible line	DX-3590A	1
161F		Flame thrower line nut — at valve	DX-3590BF	1
60F		Flame thrower line sleeve	DX-3590BG	1
		Flame thrower line — hand valve to manifold (¼" O.D. x 30")	DX-2709-30"	1
		Flame thrower line loom (5/16" I.D. x 28")	DX-2725-28"	1
105X4		Flame thrower nut — flexible line	DX-3590A	1
161F		Flame thrower line nut	DX-3590BF	1
60F		Flame thrower line sleeve	DX-3590BG	1
27264		Fuel filter R.H.	DX-5973	1
27295		Fuel filter L.H.	DX-5973A	1
		Fuel filter bolt	N-40251E	4
		Fuel filter bolt lockwasher	N-7460Z	4
302E		Fuel filter air vent cock	DX-5972	4
72F		Fuel filter tee — L.H. filter	DX-3590AY	1
15130		Fuel filter element assembly	BB-7300	4
21755-1		Fuel filter case assembly	BB-7301	4
23126		Fuel filter clamping ring assembly	BB-7303	4
14796		Fuel filter clamping ring	BB-7304	4
14795		Fuel filter clamping ring stud	BB-7305	16
7962		Fuel filter clamping ring nut (5/16" U.S.S.)	DX-581	16
7963		Fuel filter clamp ring nut lockwasher	DX-253	16
27265		Fuel filter head	BB-7306	2
13291		Fuel filter case gasket	BB-7302	4
11216		Fuel filter drain plug	BB-7307	4
11217		Fuel filter drain plug gasket	BB-7308	4
13358		Fuel filter mounting bracket	BB-7309	2

Code	Mfr. No.	Description	Order by this Number	Quantity Required
	13225	Fuel filter mounting bracket bolt (1/2x1")	DX-132	4
	13226	Fuel filter mounting bracket bolt lockwasher	DX-259	4
	7335	Fuel filter priming plug	BB-7310	2
	7494	Fuel filter priming plug gasket	BB-7311	2

0303 — Accelerator and Throttle

Accelerator pedal assembly	N-6112	1
Accelerator pedal bracket	N-3438	1
Accelerator pedal bracket pin	N-22265M	1
Accelerator pedal bracket pin cotter pin	N-21265Z	1
Accelerator pedal bracket bolt	N-60251K	2
Accelerator pedal bracket bolt nut	N-16311L	2
Accelerator pedal bracket bolt lockwasher	N-7460J	2
Accelerator pedal rod	N-7113	2
Accelerator pedal rod pin	N-22265L	1
Accelerator pedal rod pin cotter pin	N-21265M	1
Accelerator pedal rod cotter pin	N-21265P	1
Accelerator pedal rod plain washer	N-6460L	1
Accelerator bell crank bracket	N-4298	1
Accelerator bell crank bracket bolt	N-60251L	3
Accelerator bell crank bracket bolt nut	N-16311D	3
Accelerator bell crank bracket bolt lockwasher	N-7460AC	3
Accelerator bell crank	N-3297	1
Accelerator bell crank pin	N-22265F	1
Accelerator bell crank pin cotter pin	N-21265B	1
Throttle rod	N-50277A	1
Throttle rod socket joint	N-1572	2
Throttle rod nut (1/4"-28)	N-12311A	2
Throttle rod socket joint nut (1/4"-28)	N-12311A	2
Throttle rod socket joint nut lockwasher (1/4")	N-7460AC	2
Throttle rod control clip	N-22565	1
Throttle rod control collar	DT-3851	1
Throttle rod control collar screw	N-60251JJ	1
Throttle rod control clip	N-19565	1
Throttle rod control clip bolt	N-60251L	1
Throttle rod control clip bolt nut	N-16311D	1
Throttle rod control clip bolt lockwasher	N-7460AC	1
Throttle rod control clip stud nut	N-12311J	2
Throttle rod control clip stud lockwasher	N-7460AD	2
Throttle pull back spring	DT-2236A	1
Throttle pull back spring anchor	N-3334	1
Throttle pull back spring anchor bolt	N-46251B	1
Throttle pull back spring anchor bolt lockwasher	N-7460AE	1

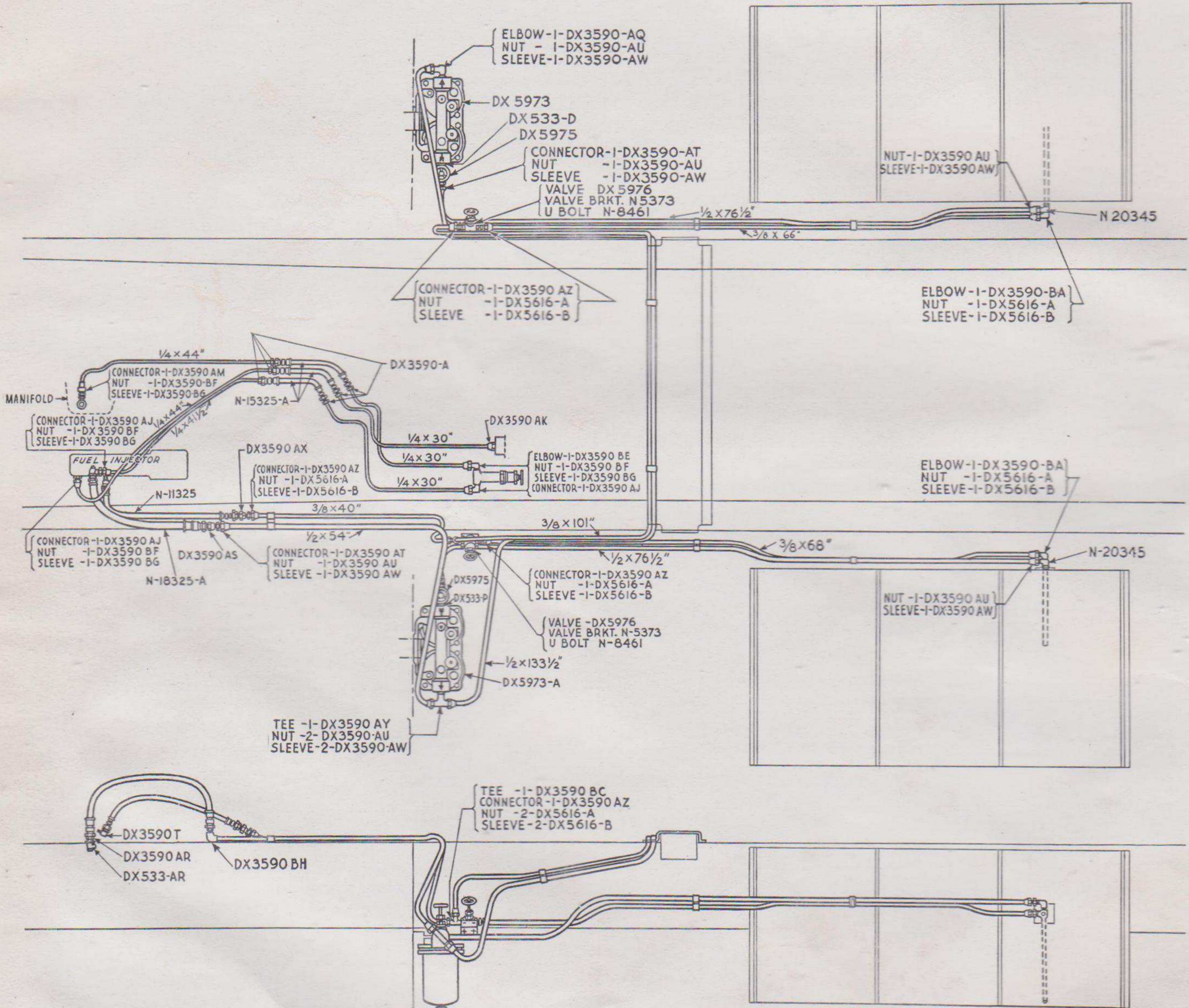
0304 — Fuel Tank Lines

Fuel tank to valve copper line R.H. — suction (1/2" O.D.x 76 1/2"-20 gauge)	DX-2873	1
Fuel tank to valve line loom 74 1/2"	DX-4869J	1
Fuel tank to valve line connector	DX-3590AT	1
Fuel tank to valve line nut	DX-3590AU	2
Fuel tank to valve line sleeve	DX-3590AW	2
Fuel tank to valve line L.H. — suction 76 1/2"	DX-2873	1
Fuel tank to valve line loom (9/16 I.D.x74 1/2")	DX-4869J	1
Fuel tank to valve line connector	DX-3590AT	1
Fuel tank to valve line nut	DX-3590AU	2
Fuel tank to valve line sleeve	DX-3590AW	2
Fuel filter to filter line — suction 133 1/2"	DX-2873	1
Fuel filter to filter line loom 131 1/2"	DX-4869J	1
Fuel filter to filter line connector elbow	DX-3590AQ	1
Fuel filter to filter line nut	DX-3590AU	2

0304 FUEL SYSTEM

980 — 6 x 4 — PARTS LIST

Code	Mfr. No.	Description	Order by this Number	Quantity Required
		Fuel filter to filter line sleeve	DX-3590AW	2
		Fuel filter to transfer pump line — suction 55½"	DX-2873	1
		Fuel filter to transfer pump line loom 53½"	DX-4869J	1
		Fuel filter to transfer pump line connector	DX-3590AT	1
		Fuel filter to transfer pump line nut	DX-3590AU	2
		Fuel filter to transfer pump line sleeve	DX-3590AW	2
		Fuel filter to transfer pump line inverted connector (Weatherhead 450x8)	DX-3590BH	1
		Fuel tank to gate valve copper line R.H.—return (¾ O.D. x68")	DX-2083	1



		Fuel tank to gate valve line loom (7/16 I.D.x66")	DX-4869K	1
		Fuel tank to gate valve line connector	DX-3590AL	1
		Fuel tank to gate valve line connector	DX-3590AZ	1
		Fuel tank to gate valve line nut	DX-5616A	2
		Fuel tank to gate valve line sleeve	DX-5616B	2
		Fuel tank to gate valve line L.H. — return 68"	DX-2083	1
		Fuel tank to gate valve line loom 66"	DX-4869K	1
		Fuel tank to gate valve line connector	DX-3590AL	1

**0304
FUEL SYSTEM
0401
0402
EXHAUST**

980 — 6 x 4 — PARTS LIST

Code	Mfr. No.	Description	Order by this Number	Quantity Required
		Fuel tank to gate valve line connector	DX-3590AZ	1
		Fuel tank to gate valve line nut	DX-5616A	2
		Fuel tank to gate valve line sleeve	DX-5616B	2
		Gate valve — return	DX-5976	2
		Gate valve bracket	N-5373	2
		Gate valve bracket bolt	N-48251D	4
		Gate valve bracket bolt nut	N-12311A	4
		Gate valve bracket bolt L.W.	N-7460AC	4
		Gate valve bracket U bolt	N-8461	2
		Gate valve bracket U bolt nut	N-16311K	4
		Gate valve bracket U bolt L.W.	N-7460K	4
		Gate valve tee — L.H. valve	DX-3590BC	1
		Gate valve to gate valve line 101"	DX-2083	1
		Gate valve to gate valve line loom 99"	DX-4869K	1
		Gate valve to gate valve line connector	DX-3590AZ	1
		Gate valve to gate valve line nut	DX-5616A	2
		Gate valve to gate valve line sleeve	DX-5616B	2
		Gate valve to injector line 40"	DX-2083	1
		Gate valve to injector line loom 38"	DX-4869K	1
		Gate valve to injector line connector	DX-3590AZ	1
		Gate valve to injector line nut	DX-5616A	2
		Gate valve to injector line sleeve	DX-5616B	2
		Gate valve to injector line inverted connector	DX-3590AX	1
		Fuel line clip	N-3565	8
		Fuel line clip	N-3565F	7
		Fuel line clip bolt	N-60251M	3
		Fuel line clip bolt nut	N-16311G	3
		Fuel line clip bolt L.W.	N-7460K	3
		Fuel line band clip	DX-5347	2

04 — EXHAUST

0401 — Muffler

	Muffler assembly	N-3470	1
	Muffler support	N-15161	1
	Muffler support stud nut	N-12311C	2
	Muffler support stud nut lockwasher	N-7460Z	2
	Muffler support clamp bolt (3/8x2 1/2")	N-47251J	1
	Muffler support clamp bolt nut (3/8"-24)	N-12311B	1
	Muffler support clamp bolt lockwasher (3/8")	N-7460AB	1

0402 — Exhaust and Tail Pipe

	Exhaust tube	N-32159	1
	Muffler tail pipe — front	N-20107A	1
	Muffler tail pipe — rear	N-20107B	1
	Muffler tail pipe bracket — front	N-6166	1
	Muffler tail pipe bracket bolt	N-38251F	1
	Muffler tail pipe bracket bolt nut	N-12311D	1
	Muffler tail pipe bracket bolt lockwasher	N-7460Y	1
	Muffler tail pipe bracket U-bolt	N-1396	1
	Muffler tail pipe bracket U-bolt nut	N-12311L	2
	Muffler tail pipe bracket U-bolt lockwasher	N-7460G	2
	Muffler tail pipe bracket — rear	N-7166	1
	Muffler tail pipe bracket bolt (7/16x1 3/8")	N-45251M	2
	Muffler tail pipe bracket bolt nut (7/16"-20)	N-12311J	2
	Muffler tail pipe bracket bolt lockwasher (7/16")	N-7460AD	2
	Muffler tail pipe bracket U-bolt	N-1396	1
	Muffler tail pipe bracket U-bolt nut (5/16"-24)	N-12311L	2
	Muffler tail pipe bracket U-bolt lockwasher (5/16")	N-7460AE	2

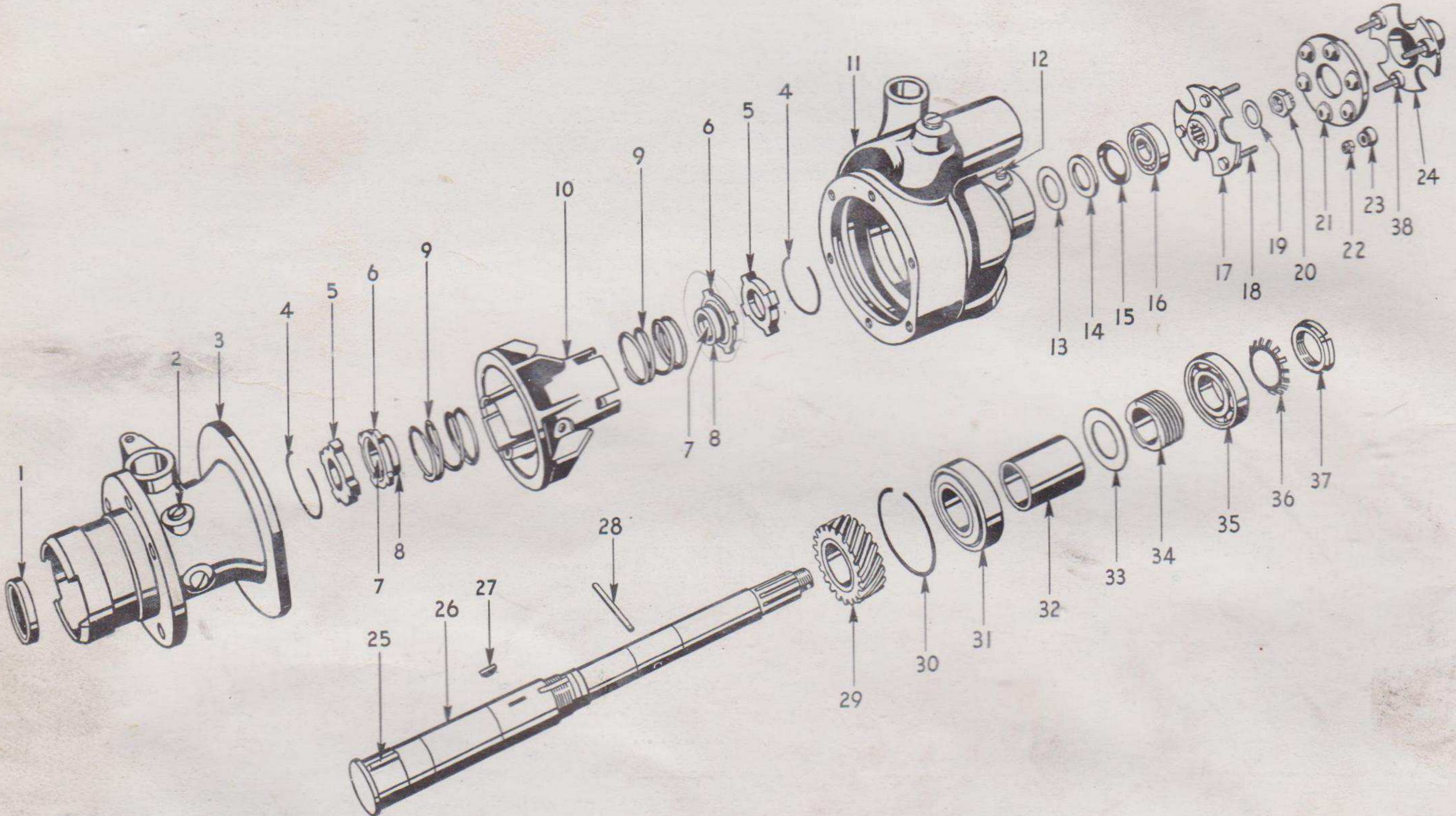
DIAMOND T MOTOR CAR COMPANY

Code	Mfr. No.	Description	Order by this Number	Quantity Required
05 — COOLING				
0501 — Radiator Shell and Core				
AD-3758		Radiator assembly (Modine)	N-25162	1
AX-5445		Radiator core and header	BB-27420	1
C-3017		Radiator top tank	BB-27401	1
A-13168		Radiator top tank gasket	BB-27402	1
C-3018		Radiator bottom tank	BB-27409	1
A-13169		Radiator bottom tank gasket	BB-27410	1
C-3019		Radiator side member R.H.	BB-27407	1
C-3020		Radiator side member L.H.	BB-27408	1
A-13170		Radiator top front header bar	BB-27403	1
A-13171		Radiator top rear header bar	BB-27404	1
A-13172		Radiator bottom header bar	BB-27411	2
AX-5125		Radiator filler neck assembly	BB-17404	1
A-12740		Radiator filler neck gasket	BB-17405	1
AX-5443		Radiator fan shroud	BB-27406	1
A-13175		Radiator overflow	BB-27413	1
A-110		Radiator overflow clip	BB-27414	1
A-13173		Radiator top overflow clip	BB-27415	1
A-79		Radiator bottom overflow clip	BB-27416	1
A-7843		Radiator screw #6 x 3/8	BB-17412	6
A-13329		Radiator bottom stud	BB-27412	2
A-949		Radiator round head bolt 1/4x3/4"-20	BB-7419	1
A-12419		Radiator round head bolt 1/4x1/2"-20	BB-7417	6
A-607		Radiator round head bolt lockwasher 1/4"	DX250	7
A-3004		Radiator machine bolt 5/16x3/4"-18	BB-7411	14
A-977		Radiator machine bolt 5/16x1"-18	BB-17411	29
A-947		Radiator machine bolt 5/16x1 1/4"-18	BB7413	14
A-978		Radiator machine bolt 5/16x1"-18	BB-7412	21
		Radiator machine bolt nut 5/16"-18	DX-176	35
A-950		Radiator bolt lockwasher 5/16"	BB-7415	78
A-13357		Radiator baffle plate	BB-27405	1
A-1460		Radiator washer 1/4"	DX-552	6
		Radiator drain cock	DX-4574	1
		Radiator cap with chain	DX-6082	1
		Radiator cap gasket	DX-5788A	1
		Radiator shutter	N-36628	2
		Radiator shutter retainer	N-10615	2
		Radiator shutter retainer bolt	N-59251-C	8
		Radiator shutter retainer bolt L. W.	N-7460-AC	8
0502 — Thermostat				
3351A		Thermostat	BB-27775	1
		Heat indicator	DX-5942	1
0503 — Water Pump, Fan and Belt				
88662DS		Water pump assembly	BB-23750	1
88405B		Water pump attaching gasket	BB-23751	1
626A		Water pump attaching stud nut (1/2"x20 S.A.E.)	DX-1091	1
352A		Water pump attaching screw (1/2x1 1/4"-13)	DX-133	4
312A		Water pump attaching screw lockwasher (1/2")	DX-258	5
88940D		Water pump body	BB-23752	1
88941D		Water pump bearing sleeve	BB-23753	1
88677B		Water pump bearing sleeve attaching gasket	BB-23754	1
315A		Water pump bearing sleeve attaching screw (3/8x7/8"-16)	DX-112	6
342A		Water pump bearing sleeve attaching screw lock-washer (3/8")	DX-254	6
88943C		Water pump shaft	BB-23768	1
88942C		Water pump impeller	BB-23777	1
11540A		Water pump impeller pin	BB-23778	1

0503 COOLING

980 — 6 x 4 — PARTS LIST

Code	Mfr. No.	Description	Order by this Number	Quantity Required
88416A		Water pump drive gear	BB-23770	1
4563A		Water pump drive gear key (No. 13 Woodruff)	DX-284	1
88679A		Water pump bearing (ND8508)	BB-23761	1
11541A		Water pump bearing snap ring	BB-23762	1
88680A		Water pump bearing spacer	BB-23763	1
88683A		Water pump oil flinger	BB-23771	1
88682A		Water pump tachometer drive gear	BB-23772	1
513A		Water pump tachometer drive gear key (No. 5 Woodruff)	DX-287E	1
3741A		Water pump bearing (ND8507)	BB-23765	1

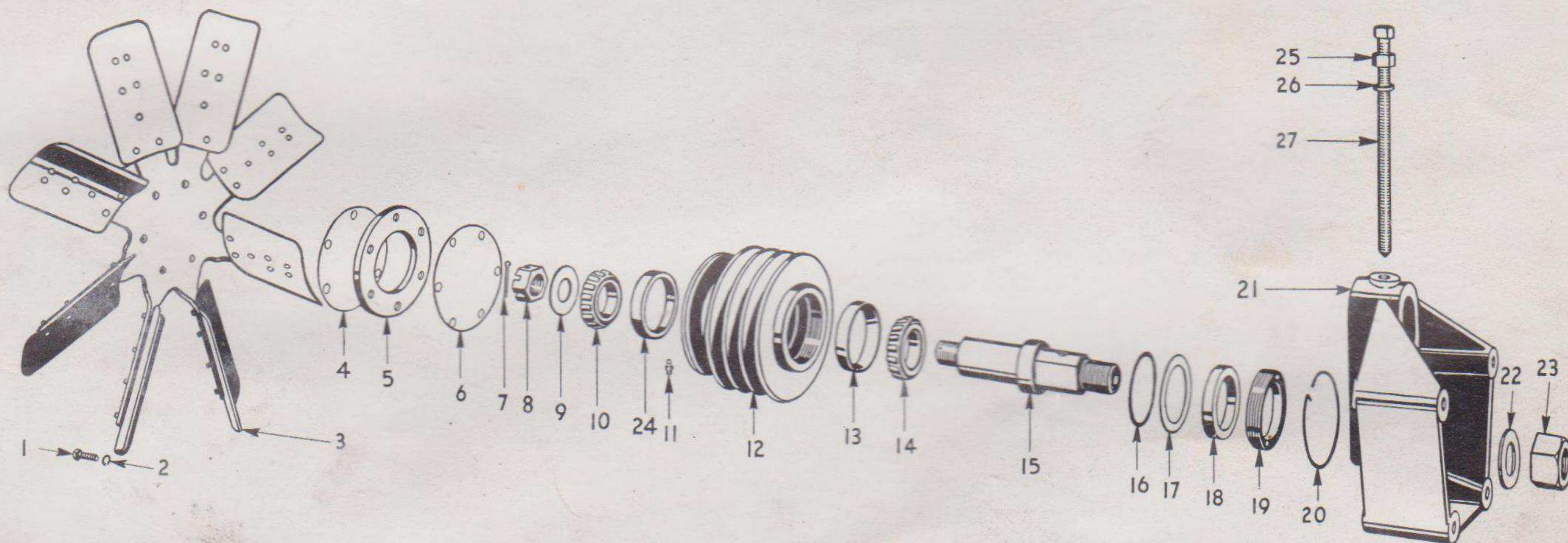


1. Oil seal	BB-23769	15. Cork retainer	BB-23789	27. Tachometer gear key — No. 5 Woodruff	DX-287E
2. Pipe plug — 3/8"	11338F	16. Bearing	BB-23704	28. Impeller pin	BB-23778
3. Bearing sleeve	BB-23753	17. Generator drive front hub	BB-23696	29. Drive gear	BB-23770
4. Seal snap wire	BB-23784	18. Generator drive bolt	BB-23699	30. Bearing snap ring	BB-23762
5. Seal washer	BB-23783	19. Generator drive attaching washer		31. Bearing	BB-23761
6. Seal spring guide	BB-23785	20. Generator drive attaching nut	13798R	32. Bearing spacer	BB-23763
7. Seal flexible seal	BB-23786	21. Flexible disc	31320J	33. Oil flinger	BB-23771
8. Seal clamp ring	BB-23781	22. Nut	DX-586A	34. Tachometer drive gear	BB-23772
9. Seal spring	BB-23782	23. Generator drive cup	31323J	35. Bearing	BB-23765
10. Impeller	BB-23777	24. Rear hub	BB-23697	36. Bearing lock washer	BB-23767
11. Water pump body	BB-23752	25. Drive gear key — No. 13 Woodruff	DX-284	37. Bearing lock nut	BB-23766
12. Plug — 1/8"	11339F	26. Shaft	BB-23768	38. Generator drive cup	BB-23698
13. Retainer washer	BB-23796				
14. Cork washer	BB-23795				

88692A	Water pump bearing lock nut	BB-23766	1
11341A	Water pump bearing lockwasher	BB-23767	1
12150A	Water pump oil seal	BB-23769	1
88945BS	Water pump seal assembly (includes next 6 parts)	BB-23780	1
88685A	Water pump seal clamp ring	BB-23781	2
88669A	Water pump seal spring	BB-23782	2
88686A	Water pump seal spring guide	BB-23785	2
88688A	Water pump seal flexible seal	BB-23786	2
88950A	Water pump seal washer	BB-23783	2

DIAMOND T MOTOR CAR COMPANY

Code	Mfr. No.	Description	Order by this Number	Quantity Required
	11339A	Water pump seal snap wire	BB-23784	2
	11337A	Water pump cork washer	BB-23795	1
	11336A	Water pump cork washer retainer	BB-23796	1
	11335A	Water pump cork retainer	BB-23789	1
	59A	Water pump pipe plug (1/8" std. slotted)	11339F	1
	11338A	Water pump bearing (ND8505)	BB-23704	1
	61A	Water pump pipe plug (3/8" std. slotted)	11338F	2
	60A	Water pump pipe plug (1/4" std. slotted)	41412C	4
	L-112698	Fan assembly (Schwitzer-Cummins)	DX-5928	1
	L-112389	Fan mounting bracket	BB-23230	1
		Fan mounting stud	N-47277A	4
		Fan mounting stud nut	N-12311D	4
		Fan mounting stud L.W.	N-7460Y	4
	F-07272	Fan blade	BB-23206	1
	C-9154	Fan blade attaching screw (3/8x1 1/2" U.S.S.)	DX-114	6
	C-2917	Fan blade attaching screw L.W. (3/8")	DX-254	6
	A-112387	Fan hub	BB-23210	1



1. Fan blade screw	DX-114	10. Bearing cone	16311W	19. Cork oil retaining washer cup	BB-23221
2. Fan blade screw lock washer	DX-254	11. Oil plug	11339F	20. Lock wire	BB-23218
3. Fan blade	BB-23206	12. Fan hub	BB-23210	21. Mounting bracket	BB-23230
4. Gasket	BB-23208	13. Bearing cup	16309W	22. Bearing clamp washer—rear	BB-23224
5. Spacer	BB-23207	14. Bearing cone	16311W	23. Clamp washer nut	BB-23223
6. Gasket	BB-23208	15. Fan spindle	BB-23217	24. Bearing cup	16309W
7. Clamp washer nut cotter pin	DX-214A	16. Rear bearing washer gasket	BB-23219	25. Adjusting screw jam nut	BB-23236
8. Jam nut	BB-23226	17. Rear bearing oil retaining washer	BB-23222	26. Adjusting screw jam nut lock washer	DX-262
9. Bearing clamp washer—front	BB-23225	18. Cork washer	BB-23220	27. Adjusting screw	BB-23235

C-6847	Fan hub to blade gasket	BB-23208	2
59A	Fan hub oil plug	11339F	1
C-111949	Fan hub adjusting screw	BB-23235	1
C-4389	Fan hub adjusting screw jam nut	BB-23236	1
C-629	Fan hub adjusting screw jam nut L.W.	DX-262	1
C-6844	Fan hub rear bearing washer	BB-23220	1
C-6849	Fan hub rear bearing washer gasket	BB-23219	1
C-6843	Fan hub rear bearing oil retaining washer	BB-23222	1
C-6842	Fan hub rear bearing oil retaining washer cup	BB-23221	1
C-6845	Fan hub rear bearing oil retaining washer cup lock wire	BB-23218	1
366	Fan hub bearing cone	16311W	2
363	Fan hub bearing cup	16309W	2
C-11537	Fan hub bearing clamp washer—front	BB-23225	1
C-6705	Fan hub bearing clamp washer—rear	BB-23224	1

**0503
0505
COOLING**

980 — 6 x 4 — PARTS LIST

Code	Mfr. No.	Description	Order by this Number	Quantity Required
C-5626		Fan hub bearing clamp washer nut	BB-23223	1
C-11585		Fan hub bearing clamp washer nut cotter pin	DX-214A	1
B-112649		Fan blade spacer	BB-23207	1
B-112388		Fan spindle	BB-23217	1
C-5647		Fan spindle jam nut	BB-23226	1
		Fan grease fitting	N-2568D	1
S-2666		Fan belt	N-1463F	3
88299B		Fan drive pulley	BB-23665	1
22920A		Fan drive pulley key	DX-299E	1
88289A		Fan drive pulley washer	BB-23666	1

0504 — Radiator Mountings

	Radiator hood ledge lacing	N-1304G	2
	Radiator hood ledge lacing	DT-3768E	1
	Radiator stay rod	N-52277	1
	Radiator stay rod nut	N-12311C	4
	Radiator stay rod L.W.	N-7460Z	2
	Radiator stay rod P. W.	N-6460C	2
	Radiator hood side fastener catch R. H.	N-4387R	1
	Radiator hood side fastener catch L. H.	N-4387L	1
	Radiator hood side fastener catch bolt	N-43251J	4
	Radiator hood side fastener catch bolt nut	N-16311D	4
	Radiator hood side fastener catch bolt L. W.	N-7460AC	4
	Radiator support insulator	N-3243A	2
	Radiator support insulator P. W.	N-6460P	2
	Radiator support insulator	N-4243	2
	Radiator support stud nut	N-13311B	2
	Radiator support stud cotter pin	N-21265J	2

0505 — Engine Water Fittings and Hose

88886D	Cylinder water outlet manifold	BB-27772	1
88714A	Cylinder water outlet manifold gasket	BB-27773	2
4339A	Cylinder water outlet manifold screw (1/2x1 3/8"-13)	BB-1225	4
312A	Cylinder water outlet manifold screw lockwasher (1/2")	DX-258	4
565A	Cylinder water outlet manifold pipe plug (3/4")	1224R	1
85557A	Thermostat housing gasket	BB-27777	1
4776A	Thermostat housing stud	BB-27778	4
752A	Thermostat housing stud nut (3/8"-24)	DX-177	4
342A	Thermostat housing stud nut lockwasher (3/8")	DX-254	4
88705D	Thermostat bypass tube	BB-27779	1
4452A	Thermostat bypass tube hose	BB-27780	2
8159A	Thermostat bypass tube base clamp	31305J	4
88709B	Thermostat bypass tube clamp (support)	BB-27781	1
14982A	Thermostat bypass tube clamp screw (3/8x3/4"-24)	DX-423A	1
752A	Thermostat bypass tube clamp screw nut (3/8"-24)	DX-577	1
342A	Thermostat bypass tube clamp screw lockwasher (3/8")	DX-254	1
620A	Water outlet manifold pipe plug (1/4" std.)	BB-27782	1
	Radiator water outlet tube	N-8205A	1
	Radiator water outlet tube hose	N-20204A	2
	Radiator water inlet hose	N-20204B	1
	Radiator water inlet hose clamp	DX-804A	6
	Air compressor intake water line (16"-1/2" O.D.)	DX-2873	1
	Air compressor intake water line nut	DX-3590W	2
	Air compressor intake water line connection	DX-3590AE	2
	Air compressor exhaust nipple	DX-5687	1
	Air compressor exhaust nipple hose (6"-5/8" I.D.)	DX-5686	1
	Air compressor exhaust nipple hose clamp	DX-4801E	2
	Engine water outlet fitting	N-6170	1
	Engine water outlet fitting gasket	DT-4089H	1
	Engine water outlet fitting bolt	N-70251B	2
	Engine water outlet fitting bolt lockwasher	N-7460Z	2

DIAMOND T MOTOR CAR COMPANY

Code	Mfr. No.	Description	Order by this Number	Quantity Required
		Water pump inlet fitting	N-16158	1
		Water pump inlet fitting gasket	DT-4089H	1
		Water pump inlet fitting bolt (1/2x1 1/2"-13)	N-70251A	2
		Water pump inlet fitting bolt lockwasher (1/2")	N-7460Z	2
		Water pump drain cock	DX-4574	1

06 — ELECTRICAL

0601 — Generator and Regulator

1106654	Generator (Delco-Remy)	DX-5934	1
	Generator mounting bolt	N-70251C	3
	Generator mounting bolt L.W.	N-7460Z	3
88550BS	Generator drive coupling assembly	BB-23695	1
88551A	Generator drive front hub	BB-23696	1
76966B	Generator drive rear hub	BB-23697	1
15731A	Generator drive flexible disc	31320J	1
15527A	Generator drive cup	BB-23698	6
15734A	Generator drive cup	31323J	6
4108A	Generator drive bolt	31321J	6
309A	Generator drive bolt nut	DX-586A	6
299A	Generator drive bolt cotter pin	DX-227	6
11345A	Generator drive nut	BB-23694	1
72A	Generator drive key	DX-277	1
298A	Generator drive nut cotter pin	DX-213	1
2210A	Generator attaching dowel	31107F	1
1872852	Generator armature	1872852	1
1842744	Generator pole shoe	1842744	2
1864510	Generator pole shoe screw	1864510	4
809062	Generator dowel pin (C.E. and D.E.)	809062	2
1886662	Generator terminal stud and lead assembly	1886662	1
1884508	Generator terminal stud—only	1884508	1
820516	Generator terminal stud lock clip	820516	2
810460	Generator terminal stud insulation	810460	2
1884510	Generator terminal stud insulation bushing	1884510	2
1872459	Generator terminal stud insulation washer	1872459	6
834560	Generator terminal stud plain washer	834560	2
802760	Generator terminal stud lock	802760	4
116004	Generator terminal stud nut	116004	4
833634	Generator terminal clip — to brush	833634	1
1884509	Generator terminal shield	1884509	2
1883931	Generator terminal shield cover	1883931	1
1883342	Generator field coil R.H.	1883342	1
1887106	Generator field coil L.H.	1887106	1
1868906	Generator commutator end frame	1868906	1
37077	Generator commutator end frame felt washer	37077	1
37078	Generator commutator end frame felt washer retainer cup	37078	1
1880635	Generator commutator end frame oiler	1880635	1
29047	Generator commutator end frame felt wick	29047	1
1838340	Generator brush	<i>gmc</i> 1838340	2
141601	Generator brush lead screw	141601	3
106497	Generator brush lead screw L.W.	106497	3
1877941	Generator brush plate assembly	1877941	1
1868746	Generator brush plate — only	1868746	1
1838341	Generator brush spring	1838341	2
1877949	Generator brush arm	1877949	2
1838339	Generator brush holder	1838339	2
825189	Generator brush holder insulating washer	825189	2
825187	Generator brush holder space washer	825187	5
1877917	Generator brush holder space sleeve	1877917	2
1838345	Generator brush holder stud	1838345	2
5024654	Generator brush holder stud nut	5024654	2
802731	Generator brush holder stud nut L.W.	802731	2

DIAMOND T MOTOR CAR COMPANY

0601
ELECTRICAL

Code	Mfr. No.	Description	Order by this Number	Quantity Required
	115116	Generator brush holder support screw	115116	2
	802731	Generator brush holder support screw L.W.	802731	2
	825185	Generator brush holder support bushing — in brush holder	825185	2
	825190	Generator brush holder stud and screw insulating bushing in brush plate	825190	2
	825186	Generator brush terminal bracket	825186	2
	1868747	Generator brush plate clamp	1868747	2
	115393	Generator brush plate clamp screw	115393	4
	106497	Generator brush plate clamp screw L.W.	106497	4
	37962M	Generator ball bearing (C.E.)	37962M	1
	1862471	Generator space collar (inside — C.E.)	1862471	1
	124545	Generator Woodruff key (C.E.)	124545	1
	806915 <i>GMC</i>	Generator shaft nut (C.E.)	806915 = <i>GMC</i>	1
	804000	Generator shaft nut L.W. (C.E.)	804000	1
	1872400	Generator fan	1872400	1
	1869751	Generator cover band	1869751	1
	1872855	Generator drive end frame	1872855	1
	1880635	Generator oiler (D.E.)	1880635	1
	825197	Generator felt washer (D.E.)	<i>GMC</i> 825197	1
	825196	Generator felt washer retainer cup (D.E.)	825196	1
	1849278	Generator space collar (outside — D.E.)	1849278	1
	1845626	Generator space washer (inside — D.E.)	1845626	1
	901305	Generator ball bearing (D.E.)	27962M	1
	1838692	Generator ball bearing retainer plate (D.E.)	1838692	1
	825260	Generator ball bearing retainer plate gasket (D.E.)	825260	1
	1866487	Generator ball bearing retainer plate screw (D.E.)	1866487	5
	802731	Generator ball bearing retainer plate screw L.W. (D.E.)	802731	5
	124546	Generator Woodruff key (D.E.)	124546	1
	103047	Generator shaft nut (D.E.)	103047	1
	1886900	Generator shaft nut washer (D.E.)	1886900	1
	1872670	Generator thru bolt	1872670	2
	108579	Generator thru bolt L.W.	108579	2
	132243	Generator screw (top of field frame)	132243	2
	103319	Generator screw L.W. (top of field frame)	103319	2
		Generator condenser (armature terminal)	N-1590	1
		Generator to regulator cable — field	N-49348	1
		Generator to regulator cable — armature	N-50348	1
		Regulator cable clip bracket	N-3194	1
		Regulator cable clip	N-14565	1
		Regulator cable clip bolt	N-60251G	1
		Regulator cable clip bolt nut	N-16311E	1
		Regulator cable clip bolt lockwasher	N-7460K	1
	1118465	Voltage regulator assembly	DX-5935	1
		Voltage regulator bolt (5/16x1 1/4"-24)	N-42251C	4
		Voltage regulator bolt nut (5/16"-24)	N-12311L	4
		Voltage regulator bolt lockwasher (5/16")	N-7460AE	4
		Voltage regulator condenser — battery terminal	N-1590	1
	1883111	Regulator base	<i>GMC</i> 1883111	1
	1883112	Regulator cover	1883112	1
	1883116	Regulator cover stud	1883116	2
	1883117	Regulator cover gasket	<i>GMC</i> 1883117	1
	1839041	Cutout relay	1839041	1
	1839042	Cutout relay armature	1839042	1
	20987	Cutout relay armature attaching screw	20987	2
	106496	Cutout relay armature attaching screw L.W.	106496	2
	37339	Cutout relay armature spring	<i>GMC</i> 37339	1
	20987	Cutout relay armature adjusting locking screw	20987	1
	106496	Cutout relay armature adjusting locking screw lock washer	106496	1
	810794	Cutout relay armature adjusting locking screw washer	810794	1
	1839044	Cutout relay contact bracket (and points)	1839044	1

**0601
ELECTRICAL**

980 — 6 x 4 — PARTS LIST

Code	Mfr. No.	Description	Order by this Number	Quantity Required
22820		Cutout relay contact bracket attaching screw	22820	2
106496		Cutout relay contact bracket attaching screw lock washer	106496	2
810794		Cutout relay contact bracket attaching screw washer	810794	2
18198		Cutout relay armature stop bracket	18198	1
18203		Cutout relay winding assembly	18203	1
18204		Cutout relay shunt winding	18204	1
29991		Cutout relay mounting nut	29991	1
103319		Cutout relay mounting nut lock washer	103319	1
1883180		Current regulator assembly	1883180	1
18194		Current regulator armature	18194	1
20987		Current regulator armature attaching screw	20987	2
106496		Current regulator armature attaching screw lock washer	106496	2
810794		Current regulator armature attaching screw washer	810794	2
37318		Current regulator armature spring	37318	1
20987		Current regulator armature adjustment locking screw	20987	1
106496		Current regulator armature adjustment locking screw lock washer	106496	1
810794		Current regulator armature adjustment locking screw washer	810794	1
1883181		Current regulator winding	1883181	1
18207		Current regulator shunt winding	18207	1
37330		Current regulator shunt winding insulator	37330	1
1858691		Current regulator contact bracket assembly	1858691	1
1873776		Current regulator contact bracket (less point)	1873776	1
1858692		Current regulator contact screw (platinum)	1858692	1
1839110		Current regulator contact screw lock nut	<u>gmc.</u> 1839110	1
22820		Current regulator contact terminal screw	22820	1
30986		Current regulator contact terminal screw nut	30986	2
106496		Current regulator contact terminal screw nut L.W.	106496	2
20987		Current regulator contact bracket attaching screw	20987	4
106496		Current regulator contact bracket attaching screw lock washer	106496	4
810794		Current regulator contact bracket attaching screw washer	810794	4
29991		Current regulator mounting nut	29991	1
103319		Current regulator mounting nut lock washer	103319	1
120386		Current regulator mounting nut plain washer	120386	1
1858690		Voltage regulator assembly	1858690	1
18194		Voltage regulator armature	18194	1
20987		Voltage regulator armature attaching screw	20987	2
106496		Voltage regulator armature attaching screw lock washer	106496	2
810794		Voltage regulator armature attaching screw washer	810794	2
1841953		Voltage regulator armature spring	1841953	1
20987		Voltage regulator armature adjustment locking screw	20987	1
106496		Voltage regulator armature adjustment locking screw lock washer	106496	1
810794		Voltage regulator armature adjustment locking screw washer	810794	1
1858691		Voltage regulator contact bracket assembly	1858691	1
1873776		Voltage regulator contact bracket (less point)	1873776	1
1858692		Voltage regulator contact screw	1858692	1
1839110		Voltage regulator contact screw lock nut	1839110	1
22820		Voltage regulator contact terminal screw	22820	1
30986		Voltage regulator contact terminal screw nut	30986	2
106496		Voltage regulator contact terminal screw L.W.	106496	2
20987		Voltage regulator contact bracket attaching screw	20987	4
106496		Voltage regulator contact bracket attaching screw lock washer	106496	4
810794		Voltage regulator contact bracket attaching screw washer	810794 <u>gmc</u>	4
18201		Voltage regulator winding	18201	1
29991		Voltage regulator mounting nut	<u>gmc.</u> 29991	1

DIAMOND T MOTOR CAR COMPANY

Code	Mfr. No.	Description	Order by this Number	Quantity Required
103319		Voltage regulator mounting nut lock washer	103319	1
1880423		Mounting plate	1880423	1
115563		Mounting plate screw (10/32x1/2")	115563	4
132919		Mounting plate screw (10/32x7/8")	132919	3
802731		Mounting plate screw lock washer	802731	7
834231		Mounting plate screw plain washer	834231	5
18211		Resistance unit	18211	1
18212		Resistance unit lead	18212	1
132908		Resistance unit lead screw	132908	1
802731		Resistance unit lead screw lock washer	802731	1
30986		Resistance unit terminal nut	30986	1
106496		Resistance unit terminal nut lock washer	106496	1
115563		Resistance unit attaching screw	115563	1
802731		Resistance unit attaching screw lock washer	802731	1
1885069		Ground screw	1885069	2
802731		Ground screw lock washer	802731	2
834231		Ground screw plain washer	834231	2
1883629		Terminal stud and connector	1883629	3
148080		Terminal stud	148080	3
1877557		Terminal stud nut	877 1877557	6
810492		Terminal stud plain washer	810492	3
141554		Terminal stud lock washer	141554	6
1881026		Terminal stud insulator plate	1881026	1
37298		Terminal connector strap	37298	3
1857742		Terminal connector strap insulator washer	1857742	3
115563		Relay and regulator lead screw (to mounting plate)	115563	2
802731		Relay and regulator lead screw L.W. (to mounting plate)	802731	2
1886670		Relay and regulator lead screw plain washer (to mounting plate)	877 1886670	2
1887101		Terminal shield assembly	1887101	1
1887102		Terminal shield only	1887102	1
1883830		Terminal coupling (15/16"-18 thread)	1883830	1
1883831		Terminal coupling nut (15/16"-18 thread)	1883831	1
1884029		Terminal coupling (11/16"-24 thread)	1884029	1
1884030		Terminal coupling nut (11/16"-24 thread)	1884030	1
132911		Terminal shield attaching screw	132911	2
802731		Terminal shield attaching screw L.W.	802731	2
834231		Terminal shield attaching screw plain washer	834231	2
1887422		Terminal shield cover	1887422	1
1888975		Terminal shield cover screw	1888975	4
116118		Terminal shield cover screw lock washer	116118	4
1883934		Condenser (for terminal shield) shipped separately	1883934	1

0602 — Starting Motor Assembly

833	Starting motor assembly (Delco-Remy)	DX-5933	1
1869762	Starting motor armature	1869762	1
1869769	Starting motor armature brake shoe washer	1869769	1
1869747	Starting motor pole shoe	1869747	6
1881869	Starting motor pole shoe screw	1881869	12
1880635	Starting motor oiler — (in field frame)	1880635	1
1869746	Starting motor oil tube (in field frame)	1869746	1
1861906	Starting motor field terminal stud	1861906	1
1861791	Starting motor field terminal stud washer — 7/8" O.D.	1861791	2
1861792	Starting motor field terminal stud washer — 11/16" O.D.	1861792	4
811912	Starting motor field terminal stud plain washer	811912	1
141557	Starting motor field terminal stud L.W.	141557	2
1855492	Starting motor field terminal stud nut 5/16"	1855492	1
1873334	Starting motor field terminal stud nut 7/16"	1873334	1
1869834	Starting motor field coil assembly — L.H.	1869834	1
1869743	Starting motor field coil assembly — lower	1869743	1
1869789	Starting motor field coil assembly — R.H.	1869789	1

**0602
ELECTRICAL**

980 — 6 x 4 — PARTS LIST

Code	Mfr. No.	Description	Order by this Number	Quantity Required
1869744		Starting motor field coil insulating strip — (C.E.)	1869744	1
1869745		Starting motor field coil insulating strip — (D.E.)	1869745	1
1869754		Starting motor commutator end frame	1869754	1
1869755		Starting motor bushing (C.E.)	1869755	1
1880642		Starting motor oiler (C.E.)	1880642	1
802696		Starting motor oil wick (C.E.)	802696	1
1869761		Starting motor brake washer (C.E.)	1869761	1
103894		Starting motor end plug (C.E.)	103894	1
1872915		Starting motor C. E. frame attaching screw	1872915	6
1873008		Starting motor C. E. frame attaching screw L.W.	1873008	6
1873301		Starting motor brush plate assembly — less brushes	1873301	1
1869758		Starting motor brush plate and stud	1869758	1
1869757		Starting motor brush plate insulating plate	1869757	1
132760		Starting motor brush plate insulating plate attaching screw	132760	3
802729		Starting motor brush plate insulating plate attaching screw L.W.	802729	3
810794		Starting motor brush plate insulating plate attaching screw plain washer	810794	3
38367		Starting motor brush	38367	12
1861785		Starting motor brush spring	1861785	12
1861784		Starting motor brush holder	1861784	6
1861783		Starting motor brush holder insulated plate (2 hole)	1861783	3
1861781		Starting motor brush holder space plate (ground brush)	1861781	3
1865925		Starting motor brush holder space plate (insulated brush)	1865925	3
1861786		Starting motor brush holder screw (long — insulated brush)	1861786	3
100661		Starting motor brush holder screw (short — insulated brush)	100661	3
1861787		Starting motor brush holder screw (long—grounded brush)	1861787	3
132109		Starting motor brush holder screw (short—grounded brush)	132109	3
106497		Starting motor brush holder screw L.W.	106497	12
1861788		Starting motor brush holder screw insulating bushing washer	1861788	12
1869760		Starting motor brush holder screw support plate (brass)	1869760	1
115607		Starting motor brush lead attaching screw	115607	12
106496		Starting motor brush lead attaching screw L.W.	106496	12
1861791		Starting motor terminal stud insulating washer (C. E.-7/8" O.D.)	1861791	4
1861792		Starting motor terminal stud insulating washer (C. E. 11/16" O.D.)	1861792	8
811912		Starting motor terminal stud plain washer (C. E.)	811912	1
141557		Starting motor terminal stud L.W. (C. E.)	141557	2
1855492		Starting motor terminal stud nut (C. E.-5/16")	1855492	1
1873334		Starting motor terminal stud nut (C. E.-7/16")	1873334	1
1869751		Starting motor cover band	1869751	1
1886651		Starting motor drive housing	1886651	1
1856826		Starting motor drive housing bushing	1856826	1
115466		Starting motor drive housing bushing cover screw	115466	4
113114		Starting motor drive housing cover screw L.W.	113114	4
1880642		Starting motor oiler (D. E.)	1880642	1
802696		Starting motor oil wick (D. E.)	802696	1
1872916		Starting motor drive housing attaching screw	1872916	7
1873008		Starting motor drive housing attaching screw L.W.	1873008	7
1877627		Starting motor center bearing plate	1877627	1
1864749		Starting motor center bearing bushing	1864749	1
804076		Starting motor oil wick (in center bearing)	804076	1
1864750		Starting motor oil seal (in center bearing)	1864750	1
1872866		Starting motor center bearing screw	1872866	4
114604		Starting motor center bearing screw L.W.	114604	4
1865195		Starting motor center bearing gasket	1865195	1

DIAMOND T MOTOR CAR COMPANY

0602
ELECTRICAL

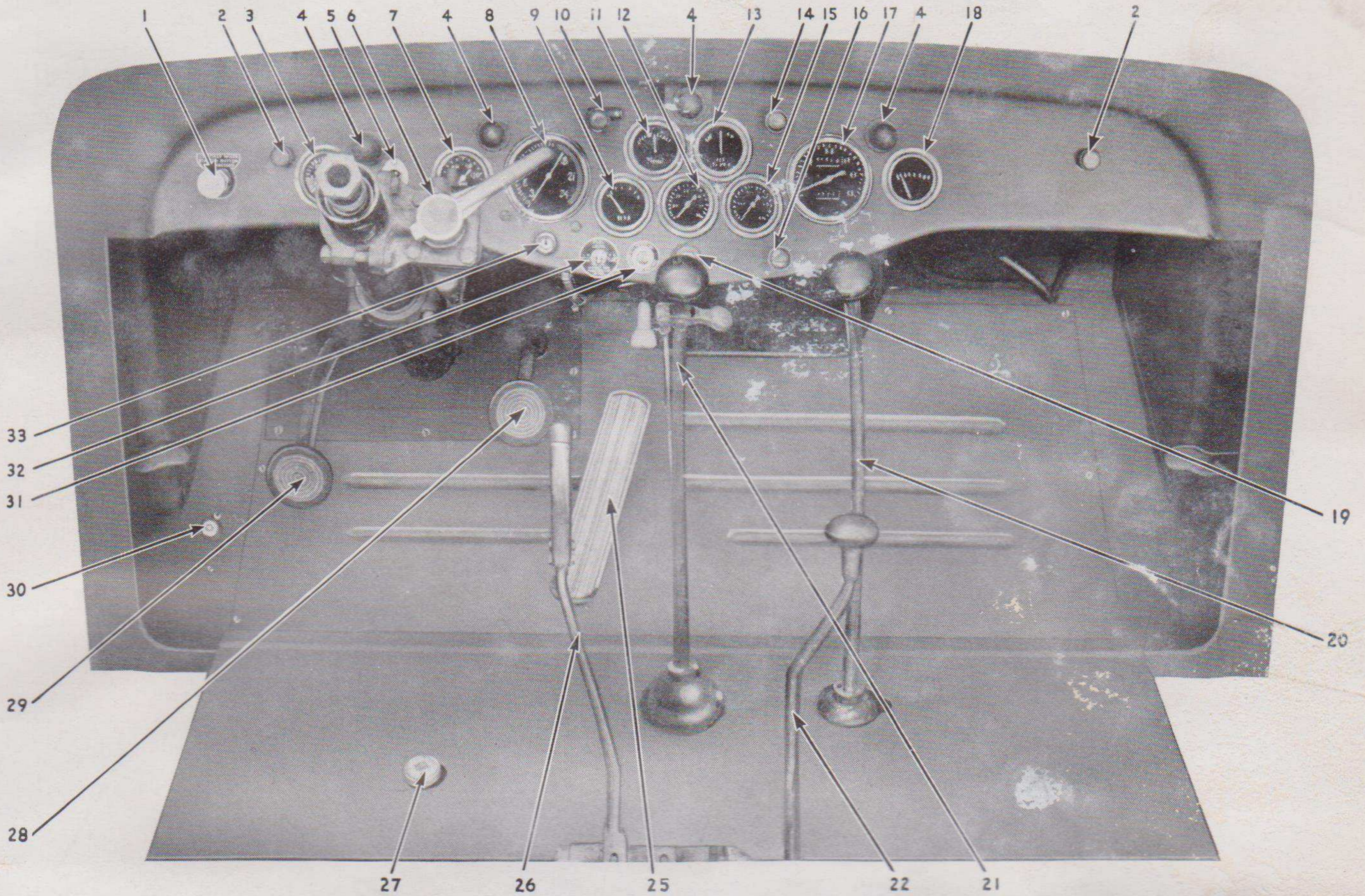
Code	Mfr. No.	Description	Order by this Number	Quantity Required
	1869782	Starting motor shift lever	1869782	1
	1865131	Starting motor shift lever spring	1865131	1
	1857826	Starting motor shift lever pin	1857826	1
	112726	Starting motor shift lever pin cotter pin	112726	1
	1869785	Starting motor shift lever link and adjusting screw	1869785	1
	1856844	Starting motor space washer (between shift sleeve and center bearing)	1856844	1
	1869740	Starting motor space washer cuffed (between shift sleeve and center bearing)	1869740	1
	1856831	Starting motor shift sleeve	1856831	1
	1856842	Starting motor drive pinion	1856842	1
	1856840	Starting motor drive pinion guide	1856840	1
	1869565	Starting motor drive pinion meshing spring	1869565	1
	1872650	Starting motor drive pinion stop collar	1872650	1
	1872652	Starting motor drive pinion stop collar cotter pin	1872652	1
	1118050	Starting motor solenoid switch	1118050	1
	1860959	Starting motor solenoid switch mounting screw	1860959	4
	802760	Starting motor solenoid switch mounting screw L.W.	802760	4
	1886669	Starting motor solenoid switch connector cable	1886669	1
	1862187	Starting motor lead (solenoid ground terminal to C. E. terminal)	1862187	1
	1867665	Starting motor terminal clip (switch terminal of solenoid) ..	1867665	1
	1856850	Starting motor clip (for battery cable)	1856850	2
	1881521	Starting motor switch assembly <i>NEW</i>	DX-5644A	1
		Starting motor switch bolt	N-42251B	2
		Starting motor switch bolt nut	N-12311L	2
		Starting motor switch bolt L.W.	N-7460AE	2
		Starting motor switch bracket	N-6376	1
		Starting motor switch bracket bolt	N-47251D	2
		Starting motor switch bracket bolt nut	N-12311B	2
		Starting motor switch bracket bolt L.W.	N-7460AB	2
	1869004	Starting motor switch housing	1869004	1
	1856800	Starting motor switch housing sleeve	1856800	1
	1856801	Starting motor switch housing sleeve retainer washer	1856801	1
	1847240	Starting motor switch contact cushion spring	1847240	1
	1855481	Starting motor switch contact disc	1855481	1
	1847239	Starting motor switch contact cushion spring retainer washer	1847239	2
	1869851	Starting motor switch contact attaching nut	1869851	1
	107761	Starting motor switch contact attaching nut cotter pin	107761	1
	1855478	Starting motor contact push rod	1855478	1
	1857425	Starting motor switch contact push rod return spring	1857425	1
	1869005	Starting motor switch push button and shaft assembly	1869005	1
	1869006	Starting motor switch push button	1869006	1
	1855496	Starting motor switch push button spring	1855496	1
	1884521	Starting motor switch push button shaft	1884521	1
	1855495	Starting motor switch push button shaft nut	1855495	1
	1855497	Starting motor switch push button release arm	1855497	2
	1855499	Starting motor switch push button release arm spring	1855499	1
	1855498	Starting motor switch push button release arm pin	1855498	2
	1869007	Starting motor switch terminal plate and contact assembly ..	1869007	1
	1864871	Starting motor switch terminal plate — only	1864871	1
	1869030	Starting motor switch terminal stud 1/2x3"-13	1869030	2
	1855488	Starting motor switch terminal stud insulating plate (inside)	1855488	1
	1855490	Starting motor switch terminal stud insulating bushing washer	1855490	2
	811912	Starting motor switch terminal stud plain washer	811912	2
	1869032	Starting motor switch terminal stud nut 1/2x11/16"-13	1869032	2
	141557	Starting motor switch terminal stud L.W.	141557	6

Code	Mfr. No.	Description	Order by this Number	Quantity Required
	1869008	Starting motor switch contact plate assembly (with blades)	1869008	1
	1869009	Starting motor switch contact plate assembly (less blades)	1869009	1
	1869025	Starting motor switch contact blade (R.H. with 2 points) ...	1869025	1
	1869022	Starting motor switch contact blade (L.H. with 3 points) ...	1869022	1
	1869028	Starting motor switch contact blade hinge pin	1869028	2
	1869029	Starting motor switch contact blade tension spring	1869029	2
		Starter switch circuit breaker	DX-5738C	1
		Starter switch circuit breaker bolt	DX-5744A	2
		Starter switch circuit breaker bolt nut	N-16311N	2
		Starter switch and motor circuit breaker	DX-5738C	1
		Starter switch and motor circuit breaker bolt	DX-5744A	2
		Starter switch and motor circuit breaker bolt nut	N-16311N	2
	1869033	Starting motor switch contact blade plunger	1869033	1
	1864890	Starting motor switch contact and support	1864890	1
	100661	Starting motor switch terminal plate attaching screw	100661	4
	106497	Starting motor switch terminal plate attaching screw L.W.	106497	4
	807218	Starting motor switch terminal plate attaching screw plain washer	807218	4
	1869037	Starting motor switch cover	1869037	1
	1869034	Starting motor switch cover gasket (rubber)	1869034	1
	1869035	Starting motor switch cover insulator (under cover)	1869035	1
	1869036	Starting motor switch cover insulator bushing washer	1869036	2
	1855491	Starting motor switch terminal stud insulator washer (outside of cover)	1855491	2
	1855492	Starting motor switch terminal stud nut (1/2x5/16"-13)	1855492	2
	1873334	Starting motor switch terminal stud nut (1/2x7/16"-13)	1873334	2
	1845396	Starting motor switch terminal stud insulator bushing (small) (on switch terminal)	1845396	1
	834231	Starting motor switch terminal stud plain washer (on switch terminal)	834231	2
	120614	Starting motor switch terminal stud nut (10/32x3/8") (on switch terminal)	120614	2
	802731	Starting motor switch terminal stud L.W. (10) (on switch terminal)	802731	2
	1867662	Starting motor switch terminal clip (on switch terminal)	1867662	1
	1862172	Starting motor switch terminal clip (on A negative terminal)	1862172	1
	1869595	Starting motor switch terminal clip (on spring terminal stud)	1869595	2
	1856850	Starting motor switch terminal clip (for battery cable)	1856850	2
	1874505	Starting motor switch spring terminal stud (3/8"-24 with 1/4"-20 extension)	1874505	2
	812622	Starting motor switch spring terminal stud plain washer	812622	2
	110730	Starting motor switch spring terminal stud L.W. 3/8"	110730	2
	116004	Starting motor switch spring terminal stud nut (1/4"-20)	116004	2
	802760	Starting motor switch spring terminal stud nut L.W. (1/4")	802760	2
	814162	Starting motor switch spring terminal stud nut plain washer	814162	2

0605 — Instruments and Carrier

440008	Instrument auxiliary ammeter assembly for front battery (15-0-15)	DX-5883	1
400070	Instrument auxiliary ammeter bezel assembly	BB-28740	1
102228	Instrument auxiliary ammeter mounting bracket	BB-28735	1
12372	Instrument auxiliary ammeter mounting bracket nut No. 10-32	BB-28728	2
5052	Instrument auxiliary ammeter mounting bracket nut L.W.	DX-251	2
400056	Instrument ammeter assembly (30-0-30)	DX-5882	1
400070	Instrument ammeter assembly bezel assembly	BB-28740	1
102228	Instrument ammeter assembly mounting bracket	BB-28735	1

DIAMOND T MOTOR CAR COMPANY



1. Priming pump	BB-23361	12. Oil pressure gauge	DX-5884	22. P.T.O. shift lever	N-17210
2. Windshield wiper control valve	BB-28485	13. Battery B ammeter	DX-5883	25. Accelerator pedal	N-4112
3. Fuel pressure gauge	DX-5918	14. Panel light switch	N-17594	26. Emergency brake lever	N-6244
4. Instrument panel light socket	DX-5888	15. Heat indicator	DX-5942	27. Starter button	DX-5644A
5. Trouble lamp receptacle	N-1593	16. Throttle control	N-5600D	28. Brake pedal	N-20116
6. Air brakes hand control valve	BB-9158	17. Speedometer head	DX-5993	29. Clutch pedal	N-16117
7. Air pressure gauge	DX-5887	18. Viscometer	DX-5931	30. Dimmer switch	DX-5897
8. Tachometer gauge	DX-5949	19. Starter circuit switch	DX-4219A	31. Engine stop switch	DX-4666
9. Fuel supply gauge	DX-5885	20. Auxiliary transmission shift lever	BB-22064	32. Fuel tank toggle switch	DX-4065
10. Light switch	N-15594	21. Transmission shift lever	BB-22210	33. Tachometer lock	DX-5806A
11. Ammeter	DX-5882				

Code	Mfr. No.	Description	Order by this Number	Quantity Required
12372		Instrument ammeter assembly mounting bracket nut No. 10-32	BB-28728	2
5052		Instrument ammeter assembly mounting bracket nut L.W.	DX-251	2
441002		Instrument fuel gauge assembly	DX-5885	1
400070		Instrument fuel gauge bezel assembly	BB-28740	1
402650		Instrument fuel gauge mounting bracket and bushing assembly	BB-28736	1
12372		Instrument heat indicator mounting bracket nut No. 10-32 ..	BB-28728	2
5052		Instrument fuel gauge mounting bracket nut L.W.	DX-251	2
400059		Instrument heat indicator assembly	DX-5942	1
400070		Instrument heat indicator bezel assembly	BB-28740	1
93291		Instrument heat indicator mounting bracket	BB-28734	1
12372		Instrument heat indicator mounting bracket nut No. 10-32 ..	BB-28728	2
5052		Instrument heat indicator mounting bracket nut L.W.	DX-251	2
90389		Instrument heat indicator 1/2" pipe adapter	BB-28738	1
400057		Instrument air pressure gauge assembly	DX-5887	1

0605 ELECTRICAL

980 — 6 x 4 — PARTS LIST

Code	Mfr. No.	Description	Order by this Number	Quantity Required
	400070	Instrument air pressure gauge bezel	BB-28740	1
	93291	Instrument air pressure gauge mounting bracket	BB-28734	1
	12372	Instrument air pressure gauge mounting bracket nut No. 10-32	BB-28728	2
	5052	Instrument air pressure gauge mounting bracket nut L.W. ..	DX-251	2
	444047	Instrument fuel pressure gauge assembly No. 0 to 25	DX-5918	1
	400070	Instrument fuel pressure gauge bezel assembly	BB-28740	1
	93291	Instrument fuel pressure gauge mounting bracket	BB-28734	1
	12372	Instrument fuel pressure gauge mounting bracket nut No. 10-32	BB-28728	2
	5052	Instrument fuel pressure gauge mounting bracket nut L.W. ..	DX-251	2
	424 B.W.	Tachometer assembly	DX6043	1
	106300	Tachometer cable assembly 90"	DX-5606A	1
		Tachometer cable clip	N-3565H	2
	106334	Tachometer casing and ferrule assembly 90"	BB-28731	1
	400886	Tachometer case and clutch assembly 90"	BB-28730	1
	659AE	Tachometer adapter	DX-5917	1
	400290	Tachometer lock	DX-5806A	1
	88696A	Tachometer drive gear	BB-23773	1
	S-806A	Viscometer gauge	DX-5931	1
		Viscometer copper line (3/16" O.D.x49")	DX-852-49"	1
		Viscometer copper line nut	DX-3590Z	1
		Viscometer copper line nut	DX-533CC	1
		Viscometer copper line nut sleeve	DX-533BB	1
		Viscometer copper line loom (7/32" I.D.x47")	DX-4869A-47	1
		Viscometer copper line clip — frame	N-3565A	1
		Oil gauge line (1/4" O.D.x56")	DX-2709-56"	1
		Oil gauge line nut	DX-3590A	1
		Oil gauge line nut	DX-2756	1
		Oil gauge line loom (5/16" I.D.x54")	DX-2725-54"	1
		Oil gauge line clip — frame	N-3565H	1
		Fuel tank toggle switch	DX-4065	1
		Fuel tank toggle switch name plate	N-30471	1
		Starter circuit switch	DX-4219A	1
		Starter circuit switch tumbler	DX-5801A	1
		Engine stop switch	DX-4666	1
		Engine stop switch name plate	N-25471	1
		Throttle control	N-5600D	1
		Throttle control clip	DX-5347	1
		Trouble lamp receptacle	N-1593	1
		Trouble lamp receptacle bolt	N-60251N	2
		Trouble lamp receptacle bolt nut	N-16311J	2
		Trouble lamp receptacle bolt L.W.	N-7460N	2
		Instrument panel light socket	DX-5888	4
		Instrument panel light hood	DX-5889	4
		Instrument panel light contact washer	DX-5890	4
		Instrument panel light insulator washer	DX-5891	4
		Instrument panel light spring	DX-5892	4
		Instrument panel light bulb	DX-4478A	4
		Instrument panel light wire grommet	DT-4161A	1
	1871413	Fuel tank gauge relay	DX-5936	1
	1835822	Fuel tank gauge relay cover	1835822	1
	1881998	Fuel tank gauge relay terminal screw	1881998	3
	802729	Fuel tank gauge relay terminal screw lockwasher	802729	3
		Fuel tank gauge relay bolt	N-60251K	3
		Fuel tank gauge relay bolt nut	N-16311D	3
		Fuel tank gauge relay bolt L.W.	N-7460AC	3
		Fuel tank gauge circuit breaker	DX-5738A	1
		Fuel tank gauge circuit breaker bolt	DX-5744A	2

DIAMOND T MOTOR CAR COMPANY

Code	Mfr. No.	Description	Order by this Number	Quantity Required
0606 — Light Switches, Cables, Wiring Harness				
		Light switch	N-15594	1
		Light switch bushing	N-4479	1
		Light switch knob	N-2607	1
		Instrument panel light switch	N-17594	1
		Instrument panel light switch knob	DX-5907	1
		Instrument panel dimmer switch	DX-5897	1
		Instrument panel dimmer switch mounting bolt	N-60251K	2
		Instrument panel dimmer switch mounting bolt L.W.	N-7460AC	2
		Trailer socket assembly	DX-5814	1
		Trailer socket bolt	N-60251NN	4
		Trailer socket bolt nut	N-16311D	4
		Trailer socket bolt lockwasher	N-7460AC	4
		Junction block	N-1477	1
		Junction block bolt	N-43251F	2
		Junction block bolt nut	N-16311J	2
		Junction block bolt L.W.	N-7460N	2
		Wiring harness (cowl)	N-43342	1
		Wiring harness (chassis)	N-44342A	1
		Wiring harness (foot control)	N-10348E	1
		Wiring harness buzzer and gauge	N-18348B	1
		Low pressure buzzer ground wire bolt	DX-5744B	1
		Horn relay to horn wire	N-8348E	1
		Fuel tank switch to fuel gauge wire	N-6348CC	1
		Fuel gauge to circuit breaker wire	N-6348DD	1
		Starter switch to circuit breaker wire	N-3348SS	1
		Ammeter ground wire	N-3348UU	1
		Light switch to toggle switch wire	N-5348V	1
		Contact relay to 5 ampere circuit breaker wire	N-6348BB	1
		Light switch to contact relay wire	N-6348CC	1
		Starter to 40 ampere circuit breaker wire	N-13348R	1
		Starter switch to circuit breaker wire	N-3348PP	1
		Light switch circuit breaker wire	N-3348QQ	1
		Light switch to 40 ampere circuit breaker wire	N-3348RR	1
		Coupling socket to ground wire	N-3348TT	1
		Solenoid switch to ground wire	N-1348N	1
		Toggle switch to panel light wire	N-16348F	1
		Toggle switch to panel light wire	N-16348G	1
		Toggle switch to panel light wire	N-16348H	1
		Toggle switch to fuel gauge wire	N-6348GG	1
0607 — Headlamps, Sealed Beams, Bulbs and Fuses				
	1017-A	Headlamp (Guide Lamp)	N-15493	1
		Headlamp mounting nut	DX-599C	2
		Headlamp mounting nut lockwasher	DX-257	2
	107334	Headlamp bulb	BB-8796	1
	5932202	Headlamp body assy.	18747F	1
	5932205	Headlamp moulding	18741F	2
	922690	Headlamp moulding screw	18752J	2
	5933925	Headlamp mask	BB-8784	1
	5932227	Headlamp wiring and connector (Models 968B, 969B)	18753J	1
	5930055	Headlamp loom	18744F	2
	919145	Headlamp loom clip	18745F	2
	804463	Headlamp rubber sleeve	18743F	6
	1867669	Headlamp spade terminal	18748F	4
	1867662	Headlamp eyelet terminal	18749F	2
	922295	Headlamp grommet	18746F	4
	5932207	Headlamp retaining ring	18742F	2
	924552	Headlamp retaining screw	18751J	6
	5933927	Headlamp reflector	BB-8782	1

Code	Mfr. No.	Description	Order by this Number	Quantity Required
5933869		Headlamp reflector gasket	BB-8783	1
		Headlamp bracket	N-22174	2
		Headlamp bracket gasket	N-9235	2
		Headlamp bracket bolt	N-42251F	6
		Headlamp bracket bolt L. W.	N-7460AE	6
		Headlamp wire grommet — at frame	DT-4161M	2
		Headlamp wire clip—front bumper	DT-4143AR	4
917070		Blackout marker lamp	DX-5848	2
		Blackout marker lamp connector	DX5005	2
5933122		Blackout marker lamp door assembly	BB-28772	2
5933075		Blackout marker lamp door assembly gasket	BB-28773	2
5932419		Blackout marker lamp door assembly screw	BB-8746	2
5933156		Blackout marker lamp body assembly	BB-28770	2
1878192		Blackout marker lamp terminal wire	BB-28771	2
		Blackout marker lamp terminal wire clip	DT-4143AS	4
142303		Blackout marker lamp bulb 3 CP-6-8 v.	8105R	2

0608 — Blackout Stop and Tail Lamp

927226		Blackout stop and tail lamp (Guide)	DX-5847	2
		Blackout stop and tail lamp nut	N-11311A	6
		Blackout stop and tail lamp nut L. W.	N-7460AC	6
		Blackout stop and tail lamp plug bushing	DX-5809A	4
		Blackout stop and tail lamp plug bushing contact	DX-5673A	4
		Blackout stop and tail lamp connector cap and loom	DX-5809	4
5933055		Blackout stop and tail lamp door	BB-28763	1
5933078		Blackout lamp unit assembly—tail lamp	BB-28761	1
5933121		Blackout lamp unit assembly—stop lamp	BB-28762	1
5933069		Blackout lamp unit assembly door screw	BB-28764	2
5933231		Blackout lamp unit assembly body	BB-28760	1

0609 — Horn Assembly

		Dual horn assembly — Delco-Remy	DX-5375	1
		Vibrator horn assembly — low note	DX-5375A	1
		Vibrator horn assembly — high note	DX-5375B	1
		Vibrator horn base assembly — for DX-5375A	8506M	1
		Vibrator horn base assembly — for DX-5375B	18506M	1
		Vibrator horn base assembly adjusting nut	38020C	4
		Vibrator horn base assembly adjusting lock nut	28505M	4
		Vibrator horn base assembly terminal assembly — low note	28507M	1
		Vibrator horn base assembly terminal assembly — high note	18507M	1
		Vibrator horn back shell	28501M	2
		Vibrator horn back shell bracket	8502M	2
		Vibrator horn back shell attaching screw (5/16")	8503M	2
		Vibrator horn armature stud spacing washer	8508M	2
		Vibrator horn diaphragm — low note	28523M	1
		Vibrator horn diaphragm — high note	18523M	2
		Vibrator horn diaphragm washer — inner	28526M	2
		Vibrator horn diaphragm washer — outer	18526M	2
		Vibrator horn diaphragm gasket	28524M	2
		Vibrator horn diaphragm adjusting nut	8527M	2
		Vibrator horn collar and projector assembly (horn outlet) low note	28530M	1
		Vibrator horn collar and projector assembly (horn outlet) high note	18530M	1
		Vibrator horn collar and projector attaching screw (No. 12-24x1/2")	28531M	8
		Vibrator horn collar and projector attaching screw nut	8533M	8

DIAMOND T MOTOR CAR COMPANY

Code	Mfr. No.	Description	Order by this Number	Quantity Required
		Vibrator horn collar and projector attaching screw ($\frac{1}{2} \times 1\frac{3}{8}$ "-28)	18531M	4
		Vibrator horn mounting bracket assembly	DX-5375D	2
		Vibrator horn relay	DX-5375C	1
		Dual horn bracket bolt	N-60251M	4
		Dual horn bracket bolt nut	N-16311D	4
		Dual horn bracket bolt L.W.	N-7460AC	4
		Dual horn relay bolt	N-60251M	3
		Dual horn relay bolt nut	N-16311D	3
		Dual horn relay bolt L.W.	N-7460AC	3
		Dual horn relay and bracket bolt shakeproof washer	N-18460F	7
		Dual horn relay circuit breaker	DX-5738C	1
		Dual horn relay circuit breaker bolt	DX-5744A	2

0610 — Battery, Starter Cables and Connectors

		Battery — dry — uncharged	DX-6046A	4
		Battery cable — L.H. side outside — positive to switch.....	N-51348	1
		Battery cable clip	DT-4143AV	1
		Battery cable — R.H. side outside — negative to switch....	N-52348	1
		Battery cable clip	DT-4143AV	2
		Battery cable clip bolt	N-60251NN	1
		Battery cable clip bolt nut	N-16311D	1
		Battery cable clip bolt lockwasher	N-7460AC	1
		Battery cable clip bolt	N-48251B	1
		Battery cable clip bolt nut	N-12311A	1
		Battery cable — R.H. side inside — positive to starter.....	N-53348	1
		Battery cable clip	DT-4143AV	1
		Battery cable clip	DX-4801C	1
		Battery cable — L.H. side inside — negative to starter.....	N-54348	1
		Battery cable clip	DT-4143AV	3
		Battery cable clip bolt	N-60251L	1
		Battery cable clip bolt nut	N-16311G	1
		Battery cable clip bolt lockwasher	N-7460K	1
		Battery cable clip bolt	N-48251B	1
		Battery cable clip bolt nut	N-12311A	1
		Battery cable clip bolt lockwasher	N-7460AC	1
		Battery cable connector — inside to outside.....	N-55348	2
		Battery cable support U bolt — R.H.	DT-7304A	1
		Battery cable support U bolt nut	N-12311L	4
		Battery cable support U bolt lockwasher	N-7460AE	2
		Battery shield R.H.	N-7422R	1
		Battery shield L.H.	N-7422L	1
		Battery shield R.H. rivet ($\frac{1}{2} \times 1\frac{1}{2}$ "')	N-2567S	10
		Battery shield L.H. rivet ($\frac{1}{2} \times 1\frac{1}{2}$ "')	N-2567S	9

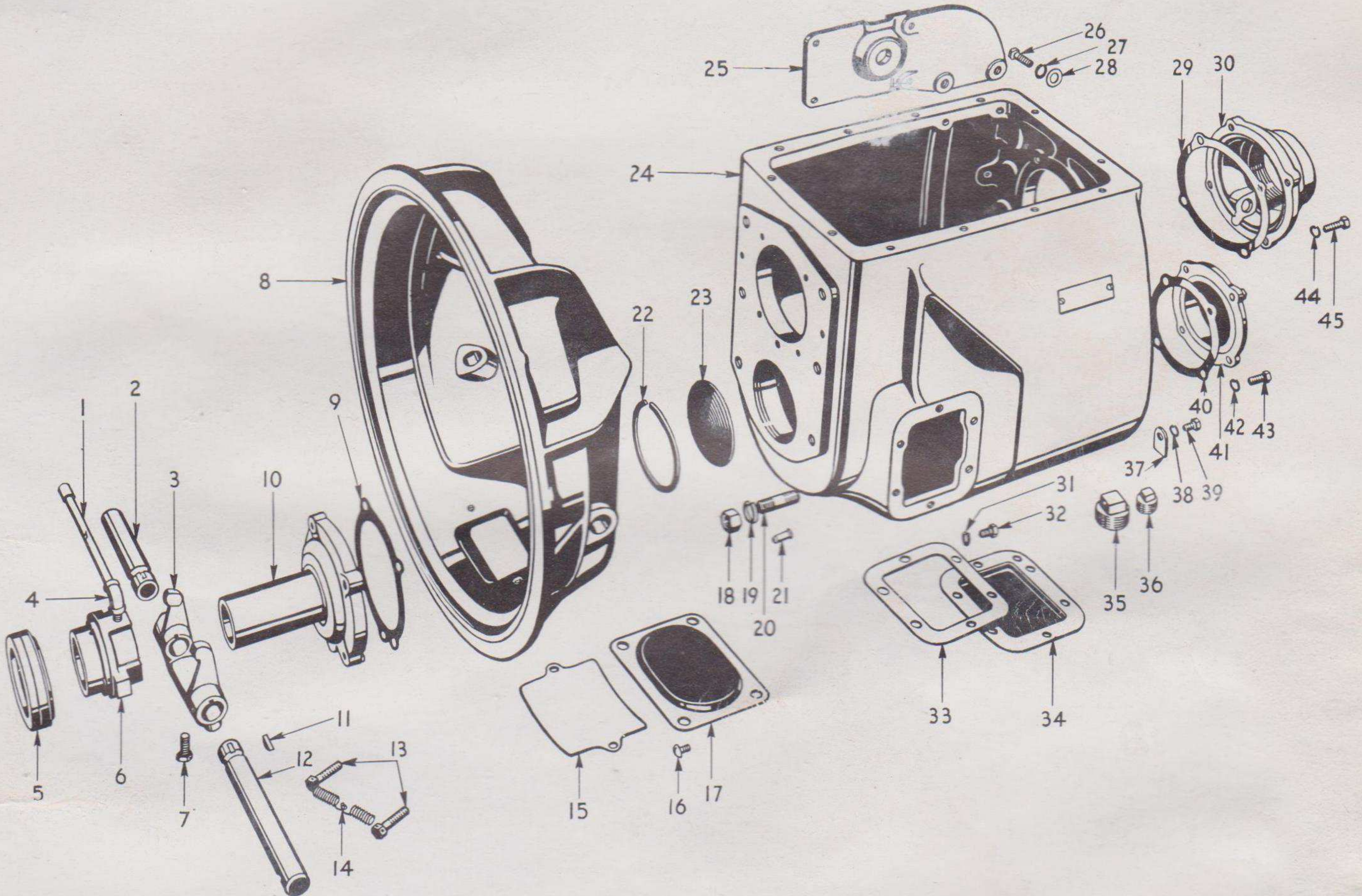
Code	Mfr. No.	Description	Order by this Number	Quantity Required
------	----------	-------------	----------------------	-------------------

0700 — Transmission

07 — TRANSMISSION

4B-86

Transmission complete with clutch housing — Fuller	DX-5920	1
Transmission to bell housing mounting bolts	N-16251B	12
Transmission to bell housing mounting bolt lockwashers	N-7460AB	12



1. Release bearing carrier oil pipe	BB-22042	15. Hand hole cover — lower	BB-22009	32. P.T.O. opening cover cap screw	DX-110A
2. Clutch throw-out shaft—short	BB-22004	16. Hand hole cover screw	BB-22011	33. P.T.O. opening cover gasket	BB-22107
3. Clutch release yoke	BB-22006	17. Hand hole cover — upper	BB-22010	34. P.T.O. opening cover	BB-22106
4. Elbow	BB-22043	18. Stud nut	DX-1032C	35. Drain plug	BB-22103
5. Release bearing	BB-22045	19. Lock washer	DX-262	36. Filler plug	DX-611G
6. Release bearing carrier	BB-22041	20. Housing stud	BB-22002	37. Reverse idler shaft lock	BB-22173
7. Clutch release yoke screw	DX-573	21. Dowel pin	BB-22001	38. Lock cap screw lock washer	DX-254
8. Clutch housing	BB-22000	22. Snap ring	BB-22161	39. Reverse idler shaft cap screw	DX-110A
9. Main drive gear bearing cover gasket	BB-22118	23. Countershaft expansion plug	BB-22160	40. Rear bearing cover gasket	BB-22164
10. Main drive gear bearing cover	BB-22117	24. Transmission case	BB-22101	41. Countershaft rear bearing cover	BB-22163
11. Release yoke key	DX-287F	25. Auxiliary control bracket	BB-22061	42. Rear bearing cover cap screw lock washer	DX-254
12. Clutch pedal shaft	BB-28015	26. Cap screw	DX-122	43. Rear bearing cover cap screw	DX-112
13. Main drive gear bearing cover cap screw	DX-114	27. Lock washer	DX-257	44. Rear bearing cover cap screw lock washer	DX-254
14. Oil pipe tension spring	BB-22046	28. Auxiliary control bracket pin	BB-22063	45. Rear bearing cover cap screw	DX-113
		29. Rear bearing cover gasket	BB-22138		
		30. Main shaft rear bearing cover	BB-22139		
		31. P.T.O. opening cover lock washer	DX-254		

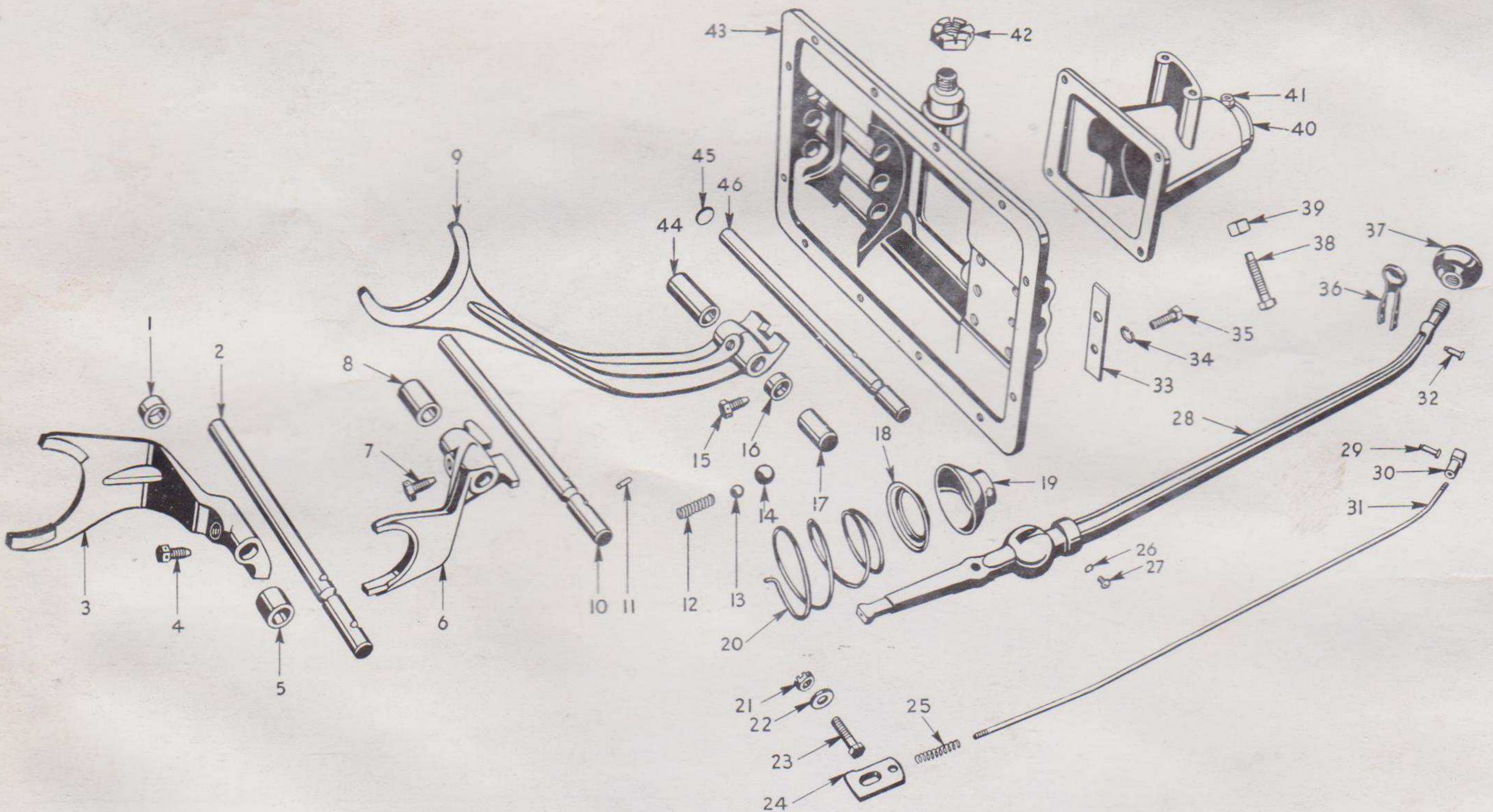
0701 TRANSMISSION

980 — 6 x 4 — PARTS LIST

Code	Mfr. No.	Description	Order by this Number	Quantity Required
------	----------	-------------	----------------------	-------------------

0701 — Transmission Case and Clutch Housing

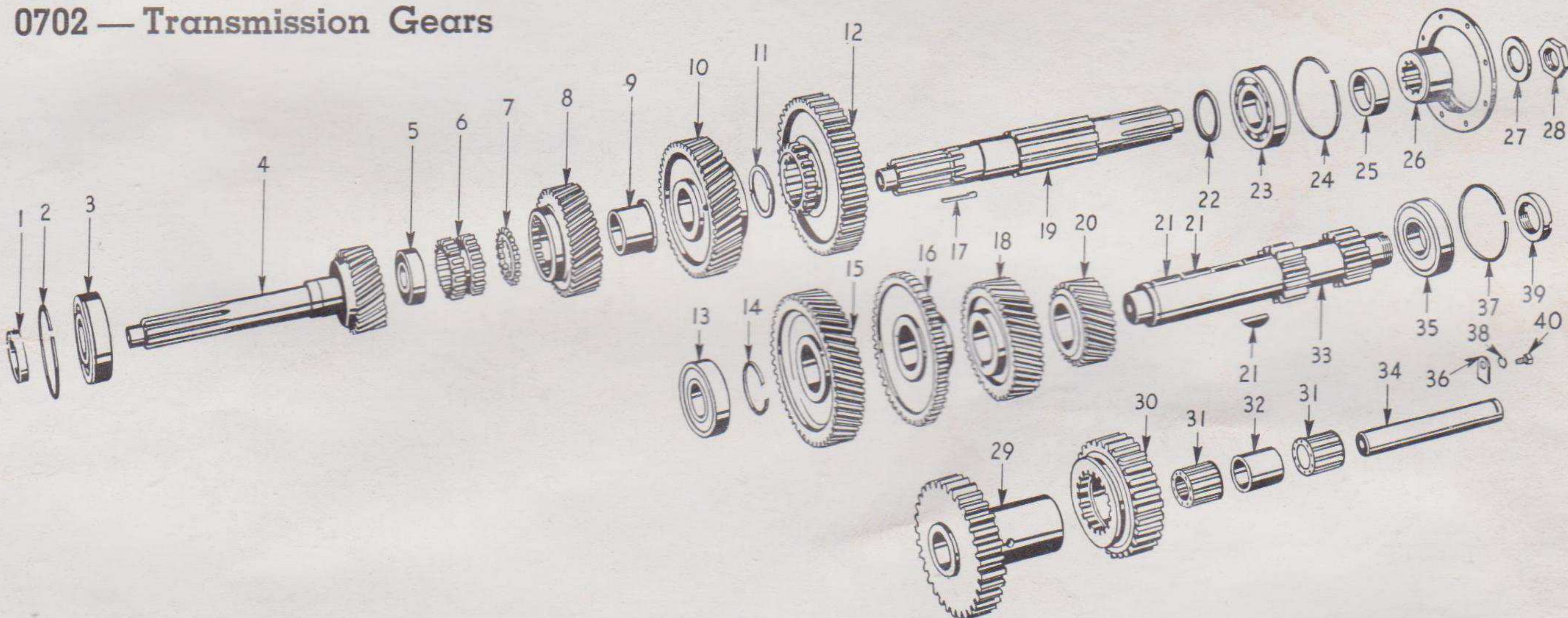
6367		Clutch housing	BB-22000	1
1565		Clutch housing hand hole cover — upper	BB-22010	1
4398		Clutch housing hand hole cover — lower	BB-22009	1
X-8-509		Clutch housing hand hole cover screw	BB-22011	6
4163		Clutch housing stud	BB-22002	6
X-1-1000		Clutch housing stud nut (5/8"-18 S.A.E Hex.)	DX-1032C	6
X-3-1000		Clutch housing stud nut L.W.	DX-262	6
1631		Transmission housing and transmission case dowel pin ...	BB-22001	2
7097		Transmission case	BB-22101	1
5850		Shifting rail housing	BB-22180	1
1929		Shifting rail housing oil retaining thimble	BB-22184	1
5878		Shifting rail housing gasket	BB-22181	1
X-8-600		Shifting rail housing cap screw	DX-112	12
X-3-600		Shifting rail housing cap screw lockwasher	DX-254	12
5838		Shifting lever housing	BB-22067	1
1642		Shifting lever housing gasket	BB-22068	1
X-8-600		Shifting lever housing cap screw	DX-112	4



1. Rail spacer — first speed	BB-22191	17. Thimble	BB-22183	32. Reverse spoon latch rivet	BB-22221
2. First and second speed rail.....	BB-22187	18. Lever washer	BB-22205	33. Spring cover	BB-22186
3. First and second speed fork	BB-22196	19. Lever bell	BB-22212	34. Lock washer	DX-254
4. Locking screw	BB-22199	20. Lever spring	BB-22211	35. Cover screw	DX-110A
5. Rail spacer — second speed.....	BB-22192	21. Stop latch bolt nut	DX-586D	36. Reverse spoon latch	BB-22220
6. Third and fourth speed fork	BB-22197	22. Stop latch washer	BB-22216	37. Lever ball	BB-22215
7. Locking screw	BB-22199	23. Stop latch bolt	BB-22223	38. Reverse latch stop screw	BB-22224
8. Rail spacer — third speed	BB-22193	24. Reverse stop latch	BB-22217	39. Stop screw nut	DX-179
9. Reverse fork	BB-22198	25. Reverse rod spring	BB-22218	40. Shifting lever housing	BB-22067
10. Third and fourth speed rail.....	BB-22188	26. Lock washer	N-7460T	41. Pivot pin nut	DX-581
11. Interlock cross pin	BB-22190	27. Bell screw	BB-22222	42. Brake lever nut	BB-22225
12. Spring	BB-22185	28. Shift lever	BB-22210	43. Shifting rail housing	BB-22180
13. Interlock ball	Z-012	29. Reverse spoon latch rivet	BB-22221	44. Rail spacer — reverse	BB-22195
14. Rail lock ball	Z-08	30. Reverse rod end-eye	BB-22214	45. Expansion plug	BB-22182
15. Locking screw	BB-22199	31. Latch rod	BB-22213	46. Reverse speed rail	BB-22189
16. Rail spacer — fourth speed.....	BB-22194				

Code	Mfr. No.	Description	Order by this Number	Quantity Required
X-3-600		Shifting lever housing cap screw lockwasher	DX-254	4
2840		Cover for P.T.O. opening	BB-22106	2
1684		Cover for P.T.O. opening gasket	BB-22107	2
X-8-606		Cover for P.T.O. opening cap screw	DX-110A	12
X-3-600		Cover for P.T.O. opening cap screw lockwasher	DX-254	12
1430		Brake lever shaft	BB-22207	1
1201		Brake lever shaft pin	BB-22208	1
7182		Brake lever shaft spacer	BB-22220	1
1846		Brake lever shaft slotted nut	BB-22225	1
X-4-14		Brake lever shaft slotted nut cotter pin	DX-215B	1
7184		Auxiliary control bracket	BB-22061	1
6681		Auxiliary control bracket shim	BB-22063	as req'd
X-8-700		Auxiliary control bracket cap screw (7/16x1 1/4"-14)	DX-122	2
X-3-700		Auxiliary control bracket cap screw lockwasher (7/16")	DX-257	2
6126		Straight plug — above filler plug — R.H. side	BB-6126	1
X-12-2001		Filler plug (1 1/4")	DX-611G	1
X-12-1202		Drain plug — (3/4" — magnetized)	BB-22103	1

0702 — Transmission Gears



1. Main drive gear bearing nut...BB-22116	14. C.S. snap ringBB-22156	28. M.S. slotted nutBB-22147
2. Main drive gear bearing snap ringN.S.S.	15. C.S. drive gearBB-22150	29. Reverse idler gearBB-22170
3. Main drive gear bearingBB-22115	16. C.S. P.T.O. gearBB-22155	30. Reverse gear and bushingBB-22175
4. Main drive gearBB-22112	17. M.S. 3rd speed gear washer keyBB-22135	31. Reverse idler roller bearingBB-22171
5. M.S. pilot bearingBB-22126	18. C.S. 3rd speed gearBB-22154	32. Reverse idler roller bearing spacerBB-22172
6. M.S. sliding clutchBB-22146	19. Main shaftBB-22125	33. CountershaftBB-22152
7. M.S. 3rd speed gear washer...BB-22134	20. C.S. 2nd speed gearBB-22153	34. Reverse idler shaftBB-22174
8. M.S. 3rd speed gear and bushingBB-22130	21. C.S. gear keyDX-281	35. C.S. rear bearingBB-22159
9. M.S. 3rd speed gear sleeve...BB-22133	22. Speedometer gear washerBB-22136	36. Reverse idler shaft lockBB-22173
10. M.S. 2nd speed gear and bushingBB-22148	23. M.S. rear bearingBB-22129	37. C.S. rear bearing snap ring.....N.S.S.
11. M.S. 2nd speed gear washer BB-22151	24. M.S. rear bearing snap ringN.S.S.	38. Reverse idler shaft lock screw l.w.DX-254
12. M.S. 1 & 2 speed sliding gear BB-22144	25. Speedometer gear replacementBB-22132	39. C.S. rear bearing nutBB-22162
13. C.S. bearing — frontBB-22158	26. Companion flangeN-23321	40. Reverse idler shaft lock screwDX-110A
	27. M.S. slotted nut washerBB-22145	

6472	Main drive gear	BB-22112	1
5881	Main shaft 1st and 2nd speed sliding gear	BB-22144	1
A-628	Main shaft 2nd speed gear and bushing assembly	BB-22148	1
A-627	Main shaft 3rd speed gear and bushing assembly	BB-22130	1
5860	Main shaft sliding clutch	BB-22146	1
5882	Countershaft with 1st and reverse speed gear	BB-22152	1

**0702
0705
TRANSMISSION**

980 — 6 x 4 — PARTS LIST

Code	Mfr. No.	Description	Order by this Number	Quantity Required
5862		Countershaft 2nd speed gear	BB-22153	1
5861		Counter shaft 3rd speed gear	BB-22154	1
5876		Countershaft P.T.O. gear	BB-22155	1
5843		Countershaft drive gear	BB-22150	1
5865		Reverse idler gear	BB-22170	1
A-630		Reverse gear and bushing assembly	BB-22175	1
5866		Main shaft 2nd speed gear washer	BB-22151	1
5847		Main shaft 2nd speed gear bushing	BB-22149	1
5867		Main shaft 3rd speed gear sleeve	BB-22133	1
X-6-3		Main shaft 3rd speed gear sleeve key	DX-275	1
5868		Main shaft 3rd speed gear washer	BB-22134	1
5869		Main shaft 3rd speed gear washer key	BB-22135	1
5845		Main shaft 3rd speed gear bushing	BB-22131	1
5873		Countershaft snap ring	BB-22156	1
5849		Reverse gear bushing	BB-22176	1

0703 — Transmission Main Drive Pinion and Bearings

311MFG		Main drive gear bearing	BB-22115	1
4647		Main drive gear bearing nut	BB-22116	1
5851		Main drive gear bearing cover	BB-22117	1
5852		Main drive gear bearing cover gasket	BB-22118	1
X-8-613		Main drive gear bearing cover cap screw (3/8x1 1/2"-16)	DX-114	2
X-8-604		Main drive gear bearing cover cap screw (3/8x1 1/4"-16)	DX-113	2
X-3-600		Main drive gear bearing cover cap screw lockwasher 3/8"	DX-254	4
5892		Main shaft pilot bearing (BS-1307-B)	BB-22126	1
312SG		Main shaft rear bearing	BB-22129	1
5946		Speedometer gear washer	BB-22136	1
6162		Speedometer gear replacement	BB-22132	1
3813		Main shaft slotted nut — for companion flange	BB-22147	1
5951		Main shaft slotted nut washer	BB-22145	1
X-4-407		Main shaft slotted nut cotter pin	DX-223B	1
7422		Main shaft rear bearing cover	BB-22139	1
6158		Main shaft rear bearing cover gasket	BB-22138	1
X-8-604		Main shaft rear bearing cover cap screw (3/8x1 1/4"-16)	DX-113	4
X-3-600		Main shaft rear bearing cover cap screw lockwasher 3/8"	DX-254	4
309MF		Countershaft bearing — front	BB-22158	1
5874		Countershaft expansion plug	BB-22160	1
5875		Countershaft transmission case snap ring	BB-22161	1
310MFG		Countershaft rear bearing	BB-22159	1
5871		Countershaft rear bearing nut	BB-22162	1
5872		Countershaft rear bearing cover	BB-22163	1
5877		Countershaft rear bearing cover gasket	BB-22164	1
X-8-600		Countershaft rear bearing cover cap screws (3/8x1"-16)	DX-112	4
X-3-600		Countershaft rear bearing cover cap screws lock-washers (3/8")	DX-254	4
5242		Reverse idler roller bearing (Hyatt-95732)	BB-22171	2
5880		Reverse idler roller bearing spacer	BB-22172	1

0704 — Mainshaft, Countershaft and Reverse Idler Shaft

5859		Mainshaft	BB-22125	1
X-6-29		Countershaft gear key	DX-281	4
5330		Reverse idler shaft	BB-22174	1
1638		Reverse idler shaft lock	BB-22173	1
X-8-606		Reverse idler shaft lock cap screw (3/8x5/8"-16)	DX-110A	1
X-3-600		Reverse idler shaft lock cap screw lock washer (3/8")	DX-254	1

0705 — Speedometer Drive Gear

Refer to group 0804

DIAMOND T MOTOR CAR COMPANY

Code	Mfr. No.	Description	Order by this Number	Quantity Required
0706 — Shift Forks and Levers				
5854		1st and 2nd speed shift fork	BB-22196	1
5853		3rd and 4th speed shift fork	BB-22197	1
5855		Reverse speed shift fork	BB-22198	1
3229		Shift fork locking screw	BB-22199	3
1819		Shift fork locking screw locking wire	BB-22200	1
5857		1st and 2nd speed shift fork rail	BB-22187	1
5856		3rd and 4th speed shift fork rail	BB-22188	1
5858		Reverse speed shift fork rail	BB-22189	1
2947		Fork rail hole thimble	BB-22183	3
5879		Fork rail hole expansion plug	BB-22182	3
6792		Fork rail spacer — 1st speed	BB-22191	1
5313		Fork rail spacer — 2nd speed	BB-22192	1
6790		Fork rail spacer — 3rd speed	BB-22193	1
6791		Fork rail spacer — 4th speed	BB-22194	1
6793		Fork rail spacer — reverse	BB-22195	1
X-14-300		Fork rail lock ball (1/2")	Z-08	3
5549		Fork rail lock ball spring	BB-22185	3
1941		Fork rail lock ball spring cover	BB-22186	1
X-8-606		Fork rail lock ball spring cover screw	DX-110A	2
X-3-600		Fork rail lock ball spring cover screw lockwasher	DX-254	2
1634		Fork rail interlock cross pin	BB-22190	1
X-14-1200		Fork rail interlock ball (3/4" steel)	Z-012	2
7176		Gear shift lever	BB-22210	1
3586		Gear shift lever latch rod	BB-22213	1
1075		Gear shift lever ball	BB-22215	1
2962		Gear shift lever bell	BB-22212	1
X-8-251		Gear shift lever bell screw	BB-22222	1
X-3-302		Gear shift lever bell screw lockwasher	N-7460T	1
2536		Gear shift lever spring	BB-22211	1
2538		Gear shift lever washer	BB-22205	1
2271		Gear shift lever pivot pin	BB-22203	1
X-1-500		Gear shift lever pivot pin nut (5/16"-24 S.A.E.)	DX-581	1
X-3-500		Gear shift lever pivot pin lockwasher (5/16")	DX-252	1
1704		Gear shift lever reverse stop latch	BB-22217	1
X-7-600		Gear shift lever reverse stop latch bolt	BB-22223	1
1633		Gear shift lever reverse stop latch washer	BB-22216	1
X-2-601		Gear shift lever reverse stop latch bolt nut	DX-586D	1
X-4-306		Gear shift lever reverse stop latch bolt nut cotter pin	DX-212	1
1697		Gear shift lever reverse stop spoon latch	BB-22220	1
1708		Gear shift lever reverse stop spoon latch rivet	BB-22221	2
1687		Gear shift lever reverse stop latch rod spring	BB-22218	1
2531		Gear shift lever reverse stop latch rod end-eye	BB-22214	1
X-8-802		Gear shift lever reverse stop latch stop screw	BB-22224	1
X-9-800		Gear shift lever reverse stop latch stop screw nut	DX-179	1

08 — AUXILIARY TRANSMISSION ASSEMBLY

0800 — Auxiliary Transmission Assembly

3-A-86	Auxiliary transmission assembly — Fuller	DX-5921	1
--------	------------------------------------------------	---------	---

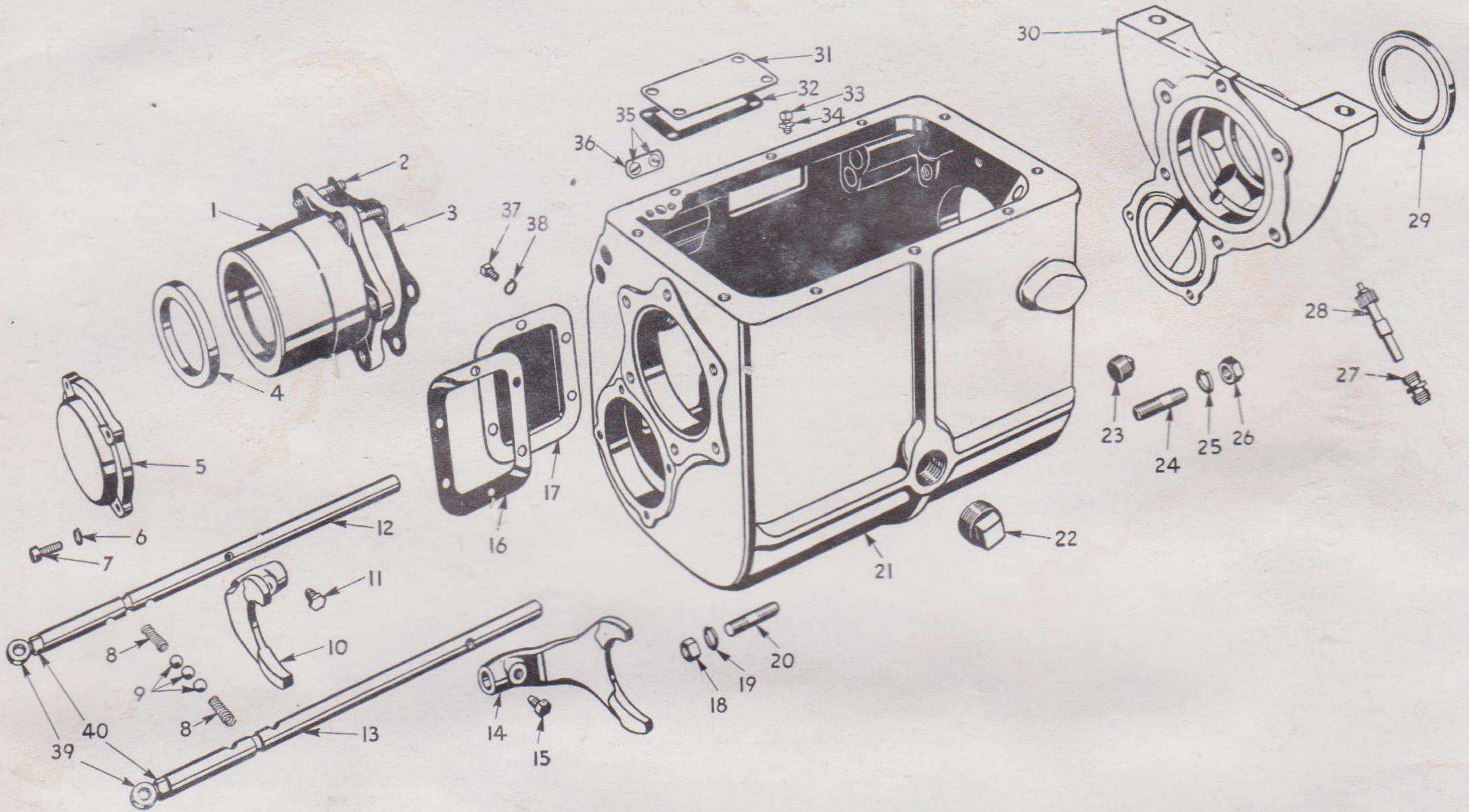
0801 — Auxiliary Transmission Case

7115	Transmission case	BB-22250	1
X-12-2001	Transmission case oil filler plug	DX-611G	1
X-12-1202	Transmission case oil drain plug — magnetized	BB-22103	1
3838	Transmission control cover	BB-22291	1
3839	Transmission control cover gasket	BB-22292	1
X-8-606	Transmission control cover cap screw	DX-110A	4
X-3-600	Transmission control cover cap screw lockwasher	DX-254	4
2840	Transmission P.T.O. opening cover — side	BB-22106	1

0801 AUXILIARY TRANS.

980 — 6 x 4 — PARTS LIST

Code	Mfr. No.	Description	Order by this Number	Quantity Required
1684		Transmission P.T.O. opening cover gasket side	BB-22107	1
X-8-606		Transmission P.T.O. opening cover cap screw ($\frac{3}{8} \times \frac{5}{8}$ "-16) ..	DX-110A	6
X-3-600		Transmission P.T.O. opening cover cap screw lockwasher ($\frac{3}{8}$ ")	DX-254	6



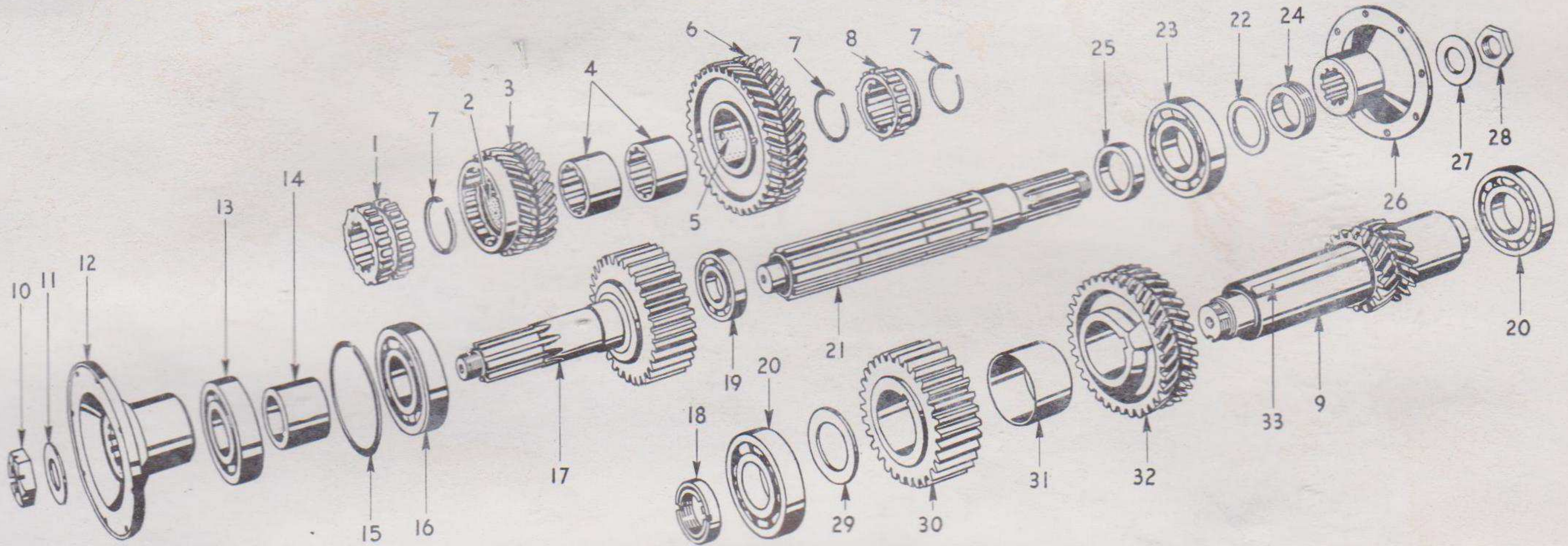
1. Main drive gear housing	BB-22256	15. Shifting fork locking screw	BB-22290	27. Speedometer gear	DX-5611
2. Main drive gear housing stud	BB-22259	16. P.T.O. opening cover gasket	BB-22107	28. Speedometer driving gear	DX-5916
3. Main drive gear housing gasket	BB-22258	17. P.T.O. opening cover	BB-22106	29. Main shaft rear bearing cap oil seal	BB-22274
4. Main drive gear oil seal	BB-22257	18. Main drive gear housing stud nut	DX-599D	30. Main shaft rear bearing cap	BB-22272
5. Countershaft front bearing cap	BB-22280	19. Main drive gear housing stud l.w.	DX-258	31. Control cover	BB-22291
6. Countershaft front bearing cap cap screw l.w.	DX-254	20. Main drive gear housing stud	BB-22259	32. Control cover gasket	BB-22292
7. Countershaft front bearing cap cap screw	DX-112	21. Case	BB-22250	33. Control cover cap screw	DX-110A
8. Shifting rail steel ball spring	BB-22293	22. Case oil filler plug	DX-611G	34. Control cover cap screw l.w.	DX-254
9. Shifting rail steel ball	Z-08	23. Case oil drain plug	BB-22103	35. Rail lock ball spring cover screw ..	DX-110A
10. Shifting fork	BB-22289	24. Main shaft rear bearing cap stud ..	BB-22275	36. Rail lock ball spring cover	BB-22186
11. Shifting fork locking screw	BB-22290	25. Main shaft rear bearing cap stud l.w.	DX-262	37. P.T.O. opening cover cap screw ..	DX-110A
12. Shifting rail	BB-22287	26. Main shaft rear bearing cap stud nut	DX-1032C	38. P.T.O. opening cover cap screw l.w.	DX-254
13. Shifting rail	BB-22287			39. Shifting rail eye rod end	BB-22288
14. Shifting fork	BB-22289			40. Shifting rail eye rod end nut	DX-599C

3803		Transmission P.T.O. attaching gasket — top	BB-22286	1
X-8-604		Transmission P.T.O. attaching cap screw ($\frac{3}{8} \times 1\frac{1}{4}$ "-16)	DX-113	6
X-8-808		Transmission P.T.O. attaching cap screw ($\frac{1}{2} \times 1\frac{1}{4}$ "-13)	DX-133	2
X-8-811		Transmission P.T.O. attaching cap screw ($\frac{1}{2} \times 1\frac{3}{4}$ "-13)	DX-135	2
X-3-600		Transmission P.T.O. attaching cap screw lockwasher ($\frac{3}{8}$ ") ..	DX-254	6
X-3-801		Transmission P.T.O. attaching cap screw lockwasher ($\frac{1}{2}$ ") ..	DX-258	4
		Transmission bracket — front	N-4361	1
		Transmission bracket clamp bolt ($\frac{3}{4} \times 4$ "-16)	N-39251F	1
		Transmission bracket clamp bolt nut ($\frac{3}{4}$ "-16)	N-13311B	1
		Transmission bracket clamp bolt nut cotter pin	N-21265J	1
		Transmission bracket mounting bolt ($\frac{1}{2} \times 1\frac{1}{2}$ "-20)	N-40251H	5
		Transmission bracket mounting bolt nut ($\frac{1}{2}$ "-20)	N-13311E	5
		Transmission bracket mounting bolt nut cotter pin	N-21265C	5
		Transmission bracket — rear — R.H.	N-5361R	1
		Transmission bracket — rear — L.H.	N-5361L	1
		Transmission bracket bolt	N-39251E	2
		Transmission bracket bolt nut	N-13311B	2
		Transmission bracket bolt nut cotter pin	N-21265J	2

Code	Mfr. No.	Description	Order by this Number	Quantity Required
		Transmission bracket bolt (5/8"x1 1/2")	N-38251H	6
		Transmission bracket bolt nut (5/8"-16)	N-13311A	6
		Transmission bracket bolt nut cotter pin (1/8"x1 1/8")	N-21265H	6

0802 — Auxiliary Transmission Drive Gear Shaft and Bearings

6005	Main drive gear	BB-22251	1
311S	Main drive gear bearing — outer	BB-22252	1
312SG	Main drive gear bearing — inner	BB-22129	1
5949	Main drive gear bearing spacer	BB-22253	1
5939	Main drive gear housing and trunnion	BB-22256	1



1. Main shaft high speed shifting clutch	BB-22263	11. Main drive gear nut washer	BB-22254	22. Main shaft speedometer gear washer	BB-22136
2. Main shaft high speed gear bushing	BB-22270	12. Companion flange	N-25321	23. Main shaft speedometer bearing	BB-22276
3. Main shaft high speed gear	BB-22269	13. Main drive gear bearing — outer	BB-22252	24. Speedometer drive gear	DX-5915
4. Main shaft gear sleeve	BB-22267	14. Main drive gear bearing spacer	BB-22253	25. Main shaft rear bearing spacer — front	BB-22277
5. Main shaft low speed gear bushing	BB-22266	15. Main drive gear bearing inner retaining ring	N.S.S.	26. Companion flange	N-24321
6. Main shaft low speed gear	BB-22265	16. Main drive gear bearing — inner	BB-22129	27. Main shaft rear slotted nut washer	BB-22145
7. Main shaft gear snap ring	BB-22268	17. Main drive gear	BB-22251	28. Main shaft rear slotted nut	BB-22147
8. Main shaft low speed shifting clutch	BB-22264	18. Countershaft front bearing nut	BB-22162	29. Countershaft front bearing washer	BB-22279
9. Countershaft and low speed gear	BB-22278	19. Main shaft pilot bearing	BB-22262	30. Countershaft drive gear	BB-22282
10. Main drive gear nut — slotted	BB-22255	20. Countershaft bearing	BB-22252	31. Countershaft drive gear spacer	BB-22284
		21. Main shaft	BB-22261	32. Countershaft high speed gear	BB-22285
				33. Countershaft drive gear key	BB-22283

5940	Main drive gear housing and trunnion gasket	BB-22258	1
5941	Main drive gear housing and trunnion stud	BB-22259	6
X-1-800	Main drive gear housing and trunnion stud nut	DX-599DD	6
X-3-801	Main drive gear housing and trunnion stud lockwasher	DX-258	6
5984	Main drive gear oil seal	BB-22257	1
1792	Main drive gear nut — slotted	BB-22255	1
5423	Main drive gear nut washer	BB-22254	1
X-4-415	Main drive gear nut cotter pin	DX-212B	1
5942	Main shaft — splined	BB-22261	1
308M	Main shaft pilot bearing	BB-22262	1
3814	Main shaft high speed shifting clutch	BB-22263	1
A-785	Main shaft high speed gear and bushing assembly	BB-22269	1
7064	Main shaft high speed gear bushing	BB-22270	1
A-798	Main shaft low speed gear and bushing assembly	BB-22265	1
7053	Main shaft low speed gear bushing	BB-22266	1
7065	Main shaft gear sleeve	BB-22267	2
3815	Main shaft low speed shifting clutch	BB-22264	1
3820	Main shaft gear snap ring	BB-22268	3
MRC-313M	Main shaft rear bearing (ND-1313)	BB-22276	1
3841	Main shaft rear bearing spacer — front	BB-22277	1
5946	Main shaft speedometer gear washer	BB-22136	1
5944	Main shaft rear bearing cap and speedometer housing	BB-22272	1

0802
0805
AUXILIARY TRANS.

980 — 6 x 4 — PARTS LIST

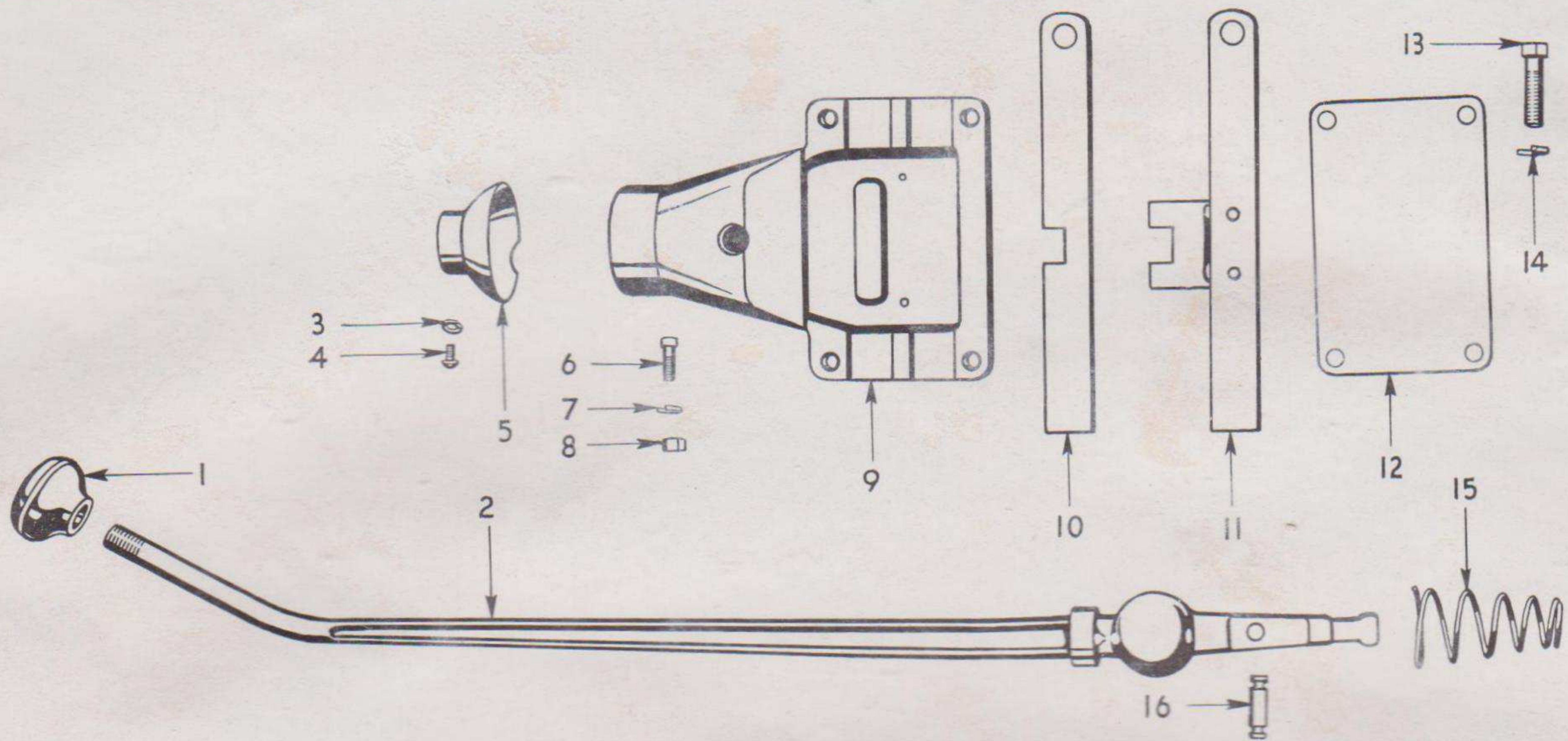
Code	Mfr. No.	Description	Order by this Number	Quantity Required
	5948	Main shaft rear bearing cap stud	BB-22275	6
	X-1-1000	Main shaft rear bearing cap stud nut	DX-1032C	6
	X-3-1000	Main shaft rear bearing cap stud nut lockwasher	DX-262	6
	X-8-600	Main shaft rear bearing cap cap screw	DX-112	2
	X-3-600	Main shaft rear bearing cap cap screw lockwasher	DX-254	2
	3832	Main shaft rear bearing cap gasket	BB-22273	1
	5947	Main shaft rear bearing cap oil seal	BB-22274	1
	3813	Main shaft rear slotted nut	BB-22147	1
	5951	Main shaft rear slotted nut washer	BB-22145	1
	X-4-407	Main shaft rear slotted nut cotter pin	DX-223B	1

0803 — Auxiliary Transmission Countershaft, Gears and Bearings

	5945	Countershaft and low speed gear 18T	BB-22278	1
	3824	Countershaft drive gear 30T	BB-22282	1
	3827	Countershaft drive gear key	BB-22283	1
	3826	Countershaft drive gear spacer	BB-22284	1
	4319	Countershaft high speed gear 34T	BB-22285	1
	311S	Countershaft bearing	BB-22252	2
	5871	Countershaft front bearing nut	BB-22162	1
	5943	Countershaft front bearing cap	BB-22280	1
	X-8-600	Countershaft front bearing cap cap screw (3/8x1"-16)	DX-112	4
	X-3-600	Countershaft front bearing cap cap screw lockwasher	DX-254	4
	3830	Countershaft front bearing cap gasket	BB-22281	1
	3825	Countershaft front bearing washer	BB-22279	1

0805 — Auxiliary Transmission Shifting Yokes, Shafts and Control Levers

	3834	Shifting fork	BB-22289	2
	3986	Shifting fork locking screw	BB-22290	2
	1819	Shifting fork locking screw locking wire	BB-22200	1
	3835	Shifting rail	BB-22287	2
	X-14-800	Shifting rail steel ball (1/2")	Z-08	3
	1064	Shifting rail steel ball spring	BB-22293	2
	X-8-509	Shifting rail steel ball spring screw (5/16x1/2"-18 U.S.S.F.H.)	BB-22011	2
	3837	Shifting rail steel ball spring cover	BB-22294	1
	1884	Shifting rail eye rod end	BB-22288	2
	X-1-700	Shifting rail eye rod end nut	DX-599C	2
	1929	Shifting rail oil retaining thimble	BB-22184	2
	7177	Shifting lever	BB-22064	1
	1075	Shifting lever ball	BB-22215	1
	2962	Shifting lever bell	BB-22212	1
	X-8-251	Shifting lever bell screw (No. 12-24x3/8" R.H.)	BB-22222	1
	X-3-302	Shifting lever bell screw lockwasher	N-7460T	1
	3871	Shifting lever spring	BB-22059	1
	3872	Shifting lever spring retaining pin	BB-22060	1
	2271	Shifting lever pivot pin	BB-22203	1
	X-1-500	Shifting lever pivot pin nut	DX-581	1
	X-3-500	Shifting lever pivot pin nut lockwasher	DX-252	1
		Auxiliary transmission control assembly	DX-5920A	1
	3866	Auxiliary control housing	BB-22069	1
	X-8-602	Auxiliary control housing cap screw	DX-114	4
	X-3-600	Auxiliary control housing cap screw lockwasher	DX-254	4
	A-799	High speed shifting bar and block assembly	BB-22065	1
	5069	Low speed shifting bar	BB-22066	1
	6495	Control bracket plate	BB-22062	1
		High speed control rod	N-15216D	1
		High speed control rod yoke rod	N-1134B	2
		High speed control rod yoke rod nut	N-12311C	2
		High speed control rod yoke rod pin	N-22265C	2
		High speed control rod yoke rod pin cotter pin	N-21265F	2
		Low speed control rod	N-15216C	1

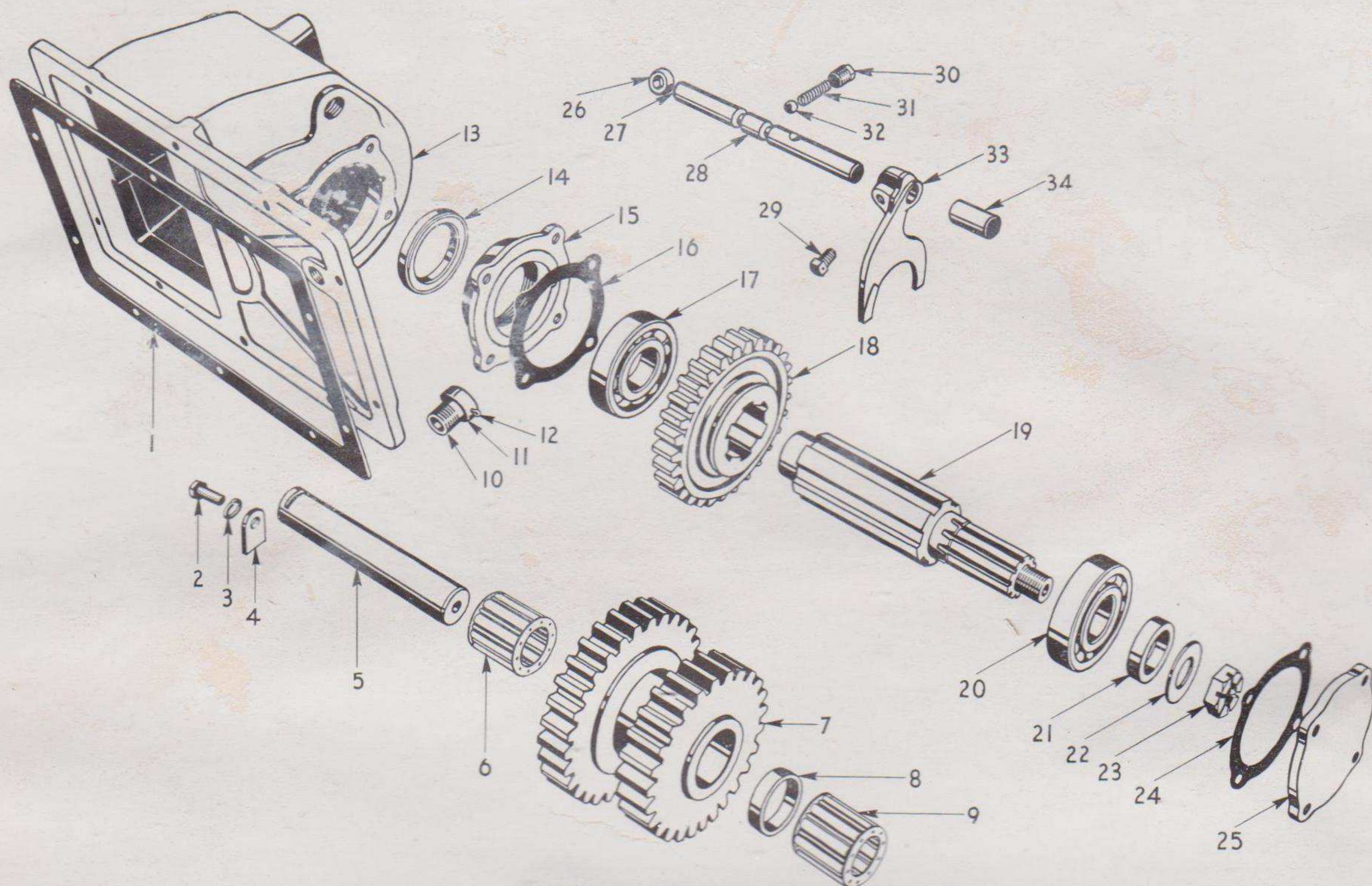


1. Shifting lever ball	BB-22215	9. Control housing	BB-22069
2. Shifting lever	BB-22064	10. Low speed shifting bar	BB-22066
3. Shifting lever bell screw lock washer	N-7460T	11. High speed shifting bar and block assembly	BB-22065
4. Shifting lever bell screw	BB-22222	12. Control bracket plate	BB-22062
5. Shifting lever bell	BB-22212	13. Auxiliary control housing cap screw	DX-114
6. Shifting lever pivot pin	BB-22203	14. Auxiliary control housing cap screw lock washer	DX-254
7. Shifting lever pivot pin nut lock washer	DX-252	15. Shifting lever spring	BB-22059
8. Shifting lever pivot pin nut	DX-581	16. Spring retaining pin	BB-22060

Code	Mfr. No.	Description	Order by this Number	Quantity Required
		Low speed control rod yoke rod	N-1134B	2
		Low speed control rod yoke rod nut	N-12311C	2
		Low speed control rod yoke rod pin	N-22265C	2
		Low speed control rod yoke rod pin cotter pin	N-21265F	2
0809 — Power Take-Off				
	3-AX	Power take-off assembly — Fuller	DX-5921A	1
	7154	Power take-off case	BB-27200	1
	3803	Power take-off case gasket	BB-22286	1
	4146	Breather pipe	BB-27214	1
	4147	Breather pipe cover	BB-27215	1
	4192	Breather pipe cover felt	BB-27216	1
	X-4-414	Breather pipe cover cotter pin	DX-215B	1
	7157	Output shaft	BB-27201	1
	7156	Output shaft sliding gear	BB-27202	1
	308M	Output shaft ball bearing	BB-22262	2
	7158	Output shaft front bearing cover	BB-27211	1
	7159	Output shaft front bearing cover gasket	BB-27212	1
	X-8-600	Output shaft front bearing cover cap screw (3/8x1"-16)	DX-112	4
	X-3-600	Output shaft front bearing cover cap screw lockwasher (3/8")	DX-254	4
	7160	Output shaft rear bearing cover	BB-27204	1
	7161	Output shaft rear bearing cover gasket	BB-27205	1
	7162	Output shaft rear bearing spacer	BB-27206	1
	5432	Output shaft rear bearing cover oil seal	BB-27207	1
	X-8-600	Output shaft rear bearing cover cap screw (3/8x1"-16)	DX-112	4
	X-3-600	Output shaft rear bearing cover cap screw lockwasher (3/8")	DX-254	4
	1846	Output shaft universal joint nut	BB-22225	1
	4725	Output shaft universal joint nut washer	BB-27203	1
	X-4-414	Output shaft universal joint nut cotter pin	DX-215B	1
	5331	Intermediate shaft	BB-27208	1

0809 AUXILIARY TRANS.

980 — 6 x 4 — PARTS LIST



1. Case gasketBB-22286	14. Output shaft rear bearing cover oil sealBB-27207	24. Output shaft front bearing cover gasketBB-27212
2. Intermediate shaft lock cap screwDX-110A	15. Output shaft rear bearing coverBB-27204	25. Output shaft front bearing coverBB-27211
3. Intermediate shaft lock cap screw l.w.DX-254	16. Output shaft rear bearing cover gasketBB-27205	26. Shifting fork rail end eyeBB-22288
4. Intermediate shaft lockBB-22173	17. Output shaft ball bearingBB-22262	27. Shifting fork rail end eye nutDX-599C
5. Intermediate shaftBB-27208	18. Output shaft sliding gearBB-27202	28. Shifting fork railBB-27213
6. Intermediate shaft bearingBB-22171	19. Output shaftBB-27201	29. Shifting fork lock screwBB-22199
7. Intermediate gearBB-27210	20. Output shaft ball bearingBB-22262	30. Shifting fork rail locating ball spring plugDX-611B
8. Intermediate shaft bearing spacerBB-27209	21. Output shaft rear bearing spacerBB-27206	31. Shifting fork rail locating ball springBB-22293
9. Intermediate shaft bearingBB-22171	22. Output shaft universal joint nut washerBB-27203	32. Shifting fork rail locating ballZ-08
10. Breather pipeBB-27214	23. Output shaft universal joint nutBB-22225	33. Shifting forkBB-27217
11. Breather pipe coverBB-27215		34. Shifting fork rail hole thimbleBB-22183
12. Breather pipe cover cotter pinDX-215B		
13. CaseBB-27200		

Code	Mfr. No.	Description	Order by this Number	Quantity Required
5242		Intermediate shaft bearing (Hyatt-95732)	BB-22171	2
5143		Intermediate shaft bearing spacer	BB-27209	1
1638		Intermediate shaft lock	BB-22173	1
X-8-606		Intermediate shaft lock cap screw	DX-110A	1
X-3-600		Intermediate shaft lock cap screw lockwasher	DX-254	1
7155		Intermediate gear	BB-27210	1
5174		Shifting fork <i>3469-5174</i>	BB-27217	1
3220		Shifting fork lock screw	BB-22199	1
1819		Shifting fork lock screw wire	BB-22200	1
7163		Shifting fork rail	BB-27213	1
1884		Shifting fork rail end eye	BB-22288	1
X-1-700		Shifting fork rail end eye nut (7/16"-20 S.A.E.)	DX-599C	1
X-14-800		Shifting fork rail locating ball (1/2")	Z-08	1
1064		Shifting fork rail locating ball spring	BB-22293	1
X-12-801		Shifting fork rail locating ball spring plug (3/8")	DX-611B	1
2947		Shifting fork rail hole thimble	BB-22183	1
		Shift lever support cross member	N-2451	1
		Shift lever support cross member bolt (1/2x1 1/4"-20)	N-40251E	4

DIAMOND T MOTOR CAR COMPANY

Code	Mfr. No.	Description	Order by this Number	Quantity Required
		Shift lever support cross member bolt nut (1/2"-20)	N-12311C	4
		Shift lever support cross member bolt lockwasher (1/2")	N-7460Z	4
		Shift lever bracket — R.H.	N-7209A	1
		Shift lever bracket bolt	N-40251E	2
		Shift lever bracket bolt nut	N-12311C	2
		Shift lever bracket bolt lockwasher	N-7460AB	2
		Shift lever bracket stud	N-5277F	2
		Shift lever bracket stud nut	N-12311B	2
		Shift lever bracket stud lockwasher	N-7460AB	2
		Shift lever bracket latch	N-1466	1
		Shift lever bracket latch bolt	N-60251Y	3
		Shift lever support latch bolt lockwasher	N-7460T	3
		Shift lever bracket — L.H.	N-8209	1
		Shift lever bracket bolt	N-40251E	2
		Shift lever bracket bolt nut	N-12311C	2
		Shift lever bracket bolt lockwasher	N-7460AB	2
		Shift lever bracket set screw	DX-674G	1
		Shift lever—P.T.O.	N-17210	1
		Shift lever grease fitting	N-2568D	1
		Shift lever knob	DX-4166	1
		Shift lever stud	DT-779BG	1
		Shift rod	N-15216	1
		Shift rod yoke	N-1134B	2
		Shift rod yoke nut	N-12311C	2
		Shift rod yoke pin	N-22265C	2
		Shift rod yoke pin cotter pin	N-21265F	2

09 — PROPELLER SHAFT AND UNIVERSAL JOINTS

0901 — Propeller Shaft Assembly

		Front shaft assembly (Trans to transfer case) (Spicer).....	N-12129E	1
	K-6-82-28X	Front shaft — stripped (Trans to transfer case).....	N-12129EX	1
		Rear shaft assembly (Transfer case to forward rear axle)...	N-22129A	1
		Rear shaft — stripped (Transfer case to forward rear axle)...	N-22129AX	1
		Inter-axle shaft assembly (Between rear axles).....	N-23129A	1
		Inter-axle shaft — stripped (Between rear axles).....	N-23129AX	1

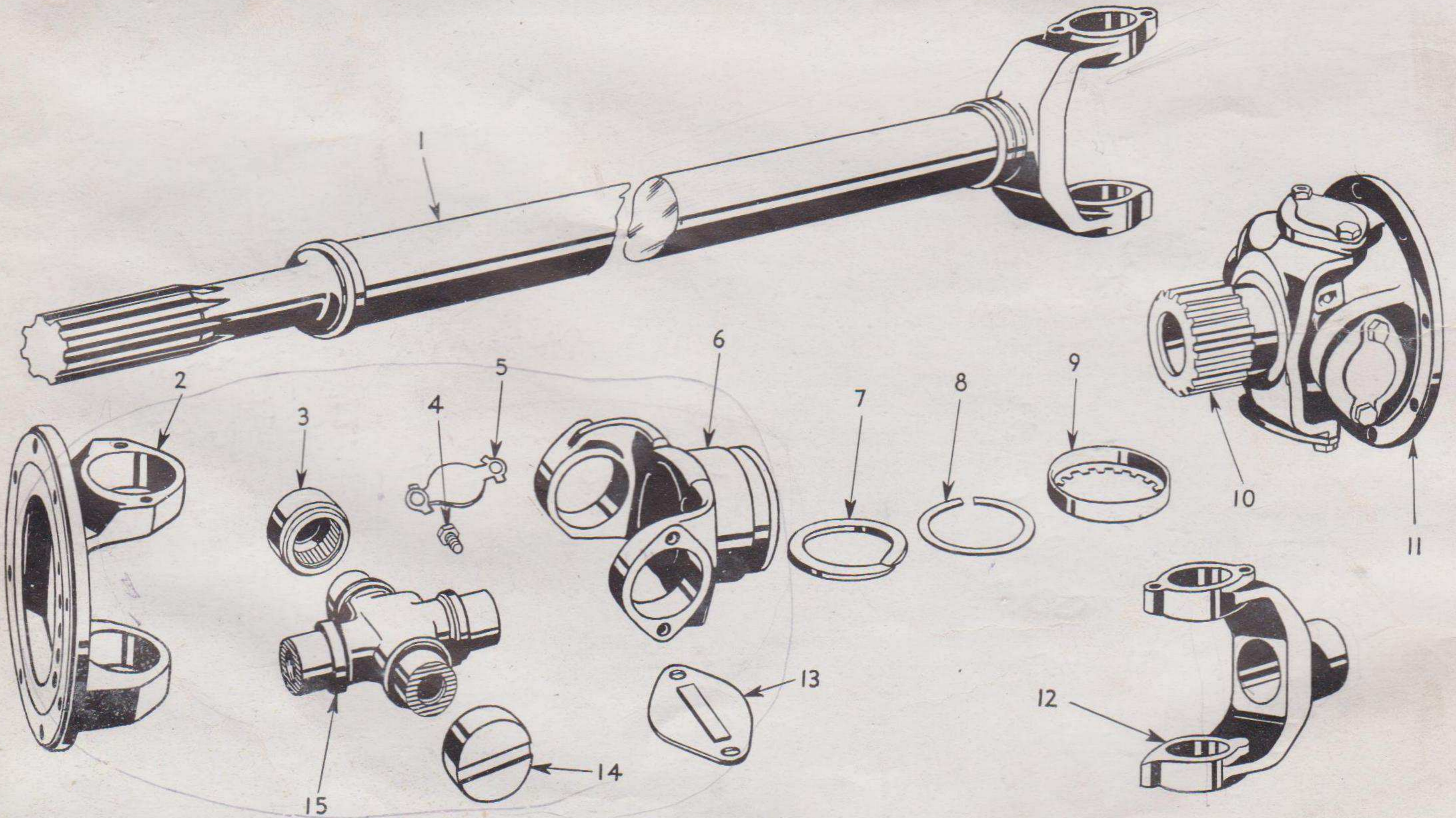
0902 — Universal Joint

	K-6-2-319	Front shaft flange yoke (on fixed joint)	7165J	1
	K-6-2-319	Front shaft flange yoke (on slip joint)	7165J	1
	K-6-3-248X	Front shaft slip joint sleeve yoke	47172J	1
	K-6-14-33	Front shaft slip joint sleeve yoke dust cap	27186J	1
	K-6-16-63	Front shaft slip joint sleeve yoke dust cap washer—cork ..	27185J	1
	K-6-15-43	Front shaft slip joint sleeve yoke dust cap washer—steel ..	37187J	1
	K-6-68-53	Front shaft slip joint sleeve yoke plug at bottom	27174J	1
	KR-6-5-98X	Front shaft journal (or cross)	17175J	2
	K-6-6-58X	Front shaft journal bearing assembly	17180J	8
	K-68679 & K-67617	Front shaft journal bearing oil seal assembly	27183J	8
	K-6-86-79	Gasket	17181J	8
	K-6-76-17	Gasket retainer	17182J	8
	K-5-70-49	Front shaft slip journal bearing cap	17188F	8
	5-73-109	Front shaft journal bearing cap screw	27189F	16
	98-741	Front shaft journal bearing cap screw lockstrap	17190F	8
	98-798	Front shaft journal relief valve	17184F	2
		Front shaft fixed joint ball yoke and stub shaft assembly..	N-12129BX	1
	K-6-2-319	Rear shaft flange yoke (on fixed joint).....	7165J	1
	K-6-2-329	Rear shaft flange yoke (on slip joint).....	17165J	1
	1708-1X	Rear shaft fixed joint assembly	BB-27195	1
	1701-20X	Rear shaft slip joint assembly	BB-27190	1
	K-6-3-268X	Rear shaft slip joint sleeve yoke	37172J	1
	K-6-14-29	Rear shaft slip joint sleeve yoke dust cap	17186J	1
	K-6-16-53	Rear shaft slip joint sleeve yoke dust cap washer — cork..	17185J	1

0902 PROPELLER SHAFTS UNIVERSALS

980 — 6 x 4 — PARTS LIST

Code	Mfr. No.	Description	Order by this Number	Quantity Required
K-6-15-33		Rear shaft slip joint sleeve yoke dust cap washer — steel	17187J	1
K-6½-68-13		Rear shaft slip joint sleeve yoke plug at bottom	37174J	1
KR-6-5-98X		Rear shaft journal (or cross)	17175J	2
K-6-6-58X		Rear shaft journal bearing assembly	17180J	8
K-68679 & K-67617		Rear shaft journal bearing oil seal assembly	27183J	4
K-6-86-79		Gasket	17181J	8
K-6-76-17		Gasket retainer	17182J	8
K-5-70-49		Rear shaft journal bearing cap	17188F	8
5-73-109		Rear shaft journal bearing cap screw	27189F	16
98-741		Rear shaft journal bearing cap screw lockstrap	17190F	8
98-798		Rear shaft journal relief valve	17184F	1
K-6-26-167		Rear shaft stub ball yoke	17150J	1
K-6-42-541		Rear shaft stub shaft	17155J	1
KL-5-4-1214		Inter-axle shaft end yoke (on fixed joint)	BB-27165	1
KL-5-4-1214		Inter-axle shaft end yoke (on slip joint)	BB-27165	1
1608-113X		Inter-axle shaft fixed joint assembly	BB-27196	1
1601-108X		Inter-axle shaft slip joint assembly	BB-27191	1
KL-5-3-288X		Inter-axle shaft slip joint sleeve yoke	BB-27173	1
4-14-19		Inter-axle shaft slip joint sleeve yoke dust cap	7039C	1
K-5-16-23		Inter-axle shaft slip joint sleeve yoke dust cap washer — cork	17185F	1
K-5-15-23		Inter-axle shaft slip joint sleeve yoke dust cap washer — steel	17187F	1
K-5-68-54		Inter-axle shaft slip joint sleeve yoke plug — at bottom	BB-7036	1
KR-5-5-68X		Inter-axle shaft journal (or cross)	27175F	2
K-5-6-78X		Inter-axle shaft journal bearing assembly	27180F	8
K-58679 & K-57617		Inter-axle shaft journal bearing oil seal assembly	17183F	4



1. Propeller shaft — stripped	N-12129EX	6. Sleeve yoke	47172J	11. Stub ball yoke	BB-27147
2. Flange yoke	7165J	7. Dust cap washer — cork	17185J	12. End yoke	BB-27165
3. Journal bearing assembly	17180J	8. Dust cap washer — steel	17187J	13. Bearing cap	17188F
4. Journal bearing cap screw	27189F	9. Dust cap	17186J	14. Journal bearing assembly	17180J
5. Cap screw lock strap	17190F	10. Stub shaft	BB-27152	15. Journal	17175J

DIAMOND T MOTOR CAR COMPANY

Code	Mfr. No.	Description	Order by this Number	Quantity Required
	K-5-86-79	Gasket	17181F	8
	K-5-76-17	Gasket retainer	17182F	8
	K-5-70-49	Inter-axle shaft journal bearing cap	17188F	8
	5-73-109	Inter-axle shaft journal bearing cap screw	27189F	16
	98-741	Inter-axle shaft journal bearing cap screw lockstrap	17190F	8
	98-798	Inter-axle shaft journal relief valve	17184F	1
	KL-5-26-297	Inter-axle shaft stub ball yoke	BB-27147	1
	K-5-42-831	Inter-axle shaft stub shaft	BB-27152	1
		Inter-axle shaft key	N-3515	2
		Propeller shaft grease fitting	N-2568A	9
	6-1-951	Companion flange (transmission)	N-23321	1
		Companion flange bolt	N-1251L	8
		Companion flange bolt nut	N-12311B	8
		Companion flange bolt nut L.W.	N-7460AB	8
	6-1-791	Companion flange — (auxiliary transmission — front)	N-25321	1
		Companion flange bolt	N-1251L	8
		Companion flange bolt nut	N-12311B	8
		Companion flange bolt L.W.	N-7460AB	8
	6-1-1031	Companion flange — (auxiliary transmission — rear)	N-24321	1
		Companion flange bolt	N-1251H	8
		Companion flange bolt nut	N-12311B	8
		Companion flange bolt L.W.	N-7460AB	8
	6-1-911	Companion flange (Forward rear axle — front)	N-26321	1
		Companion flange bolt	N-1251L	8
		Companion flange bolt nut	N-12311B	8
		Companion flange bolt L.W.	N-7460AB	8

**1000
1006
FRONT AXLE**

980 — 6 x 4 — PARTS LIST

Code	Mfr. No.	Description	Order by this Number	Quantity Required
------	----------	-------------	----------------------	-------------------

10 — FRONT AXLE

1000 — Front Axle Assembly

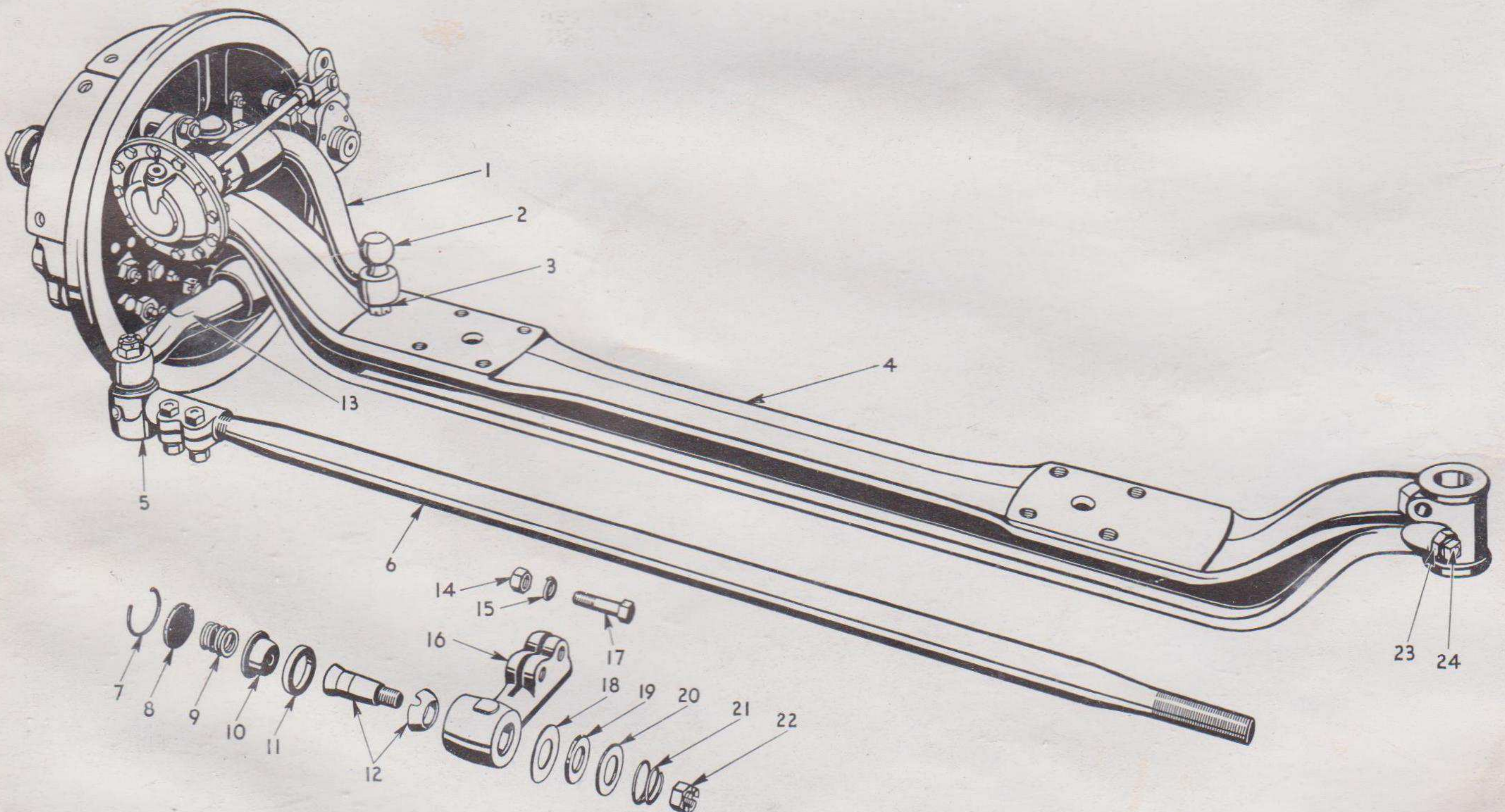
27454-W-X-1	Front axle assembly (Timken).....	DX-5923	1
-------------	-----------------------------------	---------	---

1001 — Front Axle Center

18668	Center assembly.....	BB-25101	1
26X-17	Stop screw	BB-25102	2
X-768	Stop screw nut (1/2" U.S.S. thin)	DX-640	2

1006 — Steering Knuckle and Arm

A-3111-T-384	Steering knuckle assembly—R. H.	BB-25110	1
A-3111-W-413	Steering knuckle assembly—L. H.	BB-25111	1
1225-R-278	Steering knuckle bushing	BB-25112	4
15-X-307	Steering knuckle and dust shield bolt	BB-25153	8
14-X-39	Steering knuckle and dust shield bolt nut	17192M	8
1229-Z-910	Steering knuckle and dust shield bolt nut washer	BB25154	8
X-117	Steering knuckle and dust shield bolt nut cotter pin	DX215	8
3101-G-59	Steering knuckle pin	BB-25113	2
1244-D-56	Steering knuckle pin spacer—.111-.115 (as required)	BB-25114	2
1244-F-58	Steering knuckle pin spacer—.104-.108 (as required)	BB-25115	2
2203-E-213	Steering knuckle pin shim (as required)	BB-25116	2
5-X-144	Steering knuckle pin felt	BB25117	2



1. Steering arm	BB-25130	10. Stud seat	25137F	17. Tie rod end clamp bolt	15161C
2. Steering arm ball	BB-25134	11. Stud seat grease retainer	25138F	18. Tie rod dust cover	35178F
3. Steering arm ball nut	15135F	12. Stud and bearing assembly.....	25136F	19. Tie rod dust cover rubber.....	35179J
4. Center assembly	BB-25101	13. Steering cross tube arm —		20. Tie rod dust cover rubber	
5. Tie rod end assembly —		left hand	BB-25133	retainer	35178J
left hand	55181F	14. Tie rod end clamp bolt nut.....	DX-1032C	21. Tie rod dust cover rubber	
6. Tie rod assembly	BB-25160	15. Tie rod end clamp bolt nut		retainer spring	35179F
7. Tie rod end plug lock	25177J	lock washer	6703C	22. Stud nut	15135F
8. Tie rod end plug.....	25176F	16. Tie rod end assembly — right		23. Stop screw nut	DX-640
9. Tie rod end stud seat spring.....	25139F	hand	45180F	24. Stop screw	BB-25102
		(includes items 7 to 22 except No. 13)			

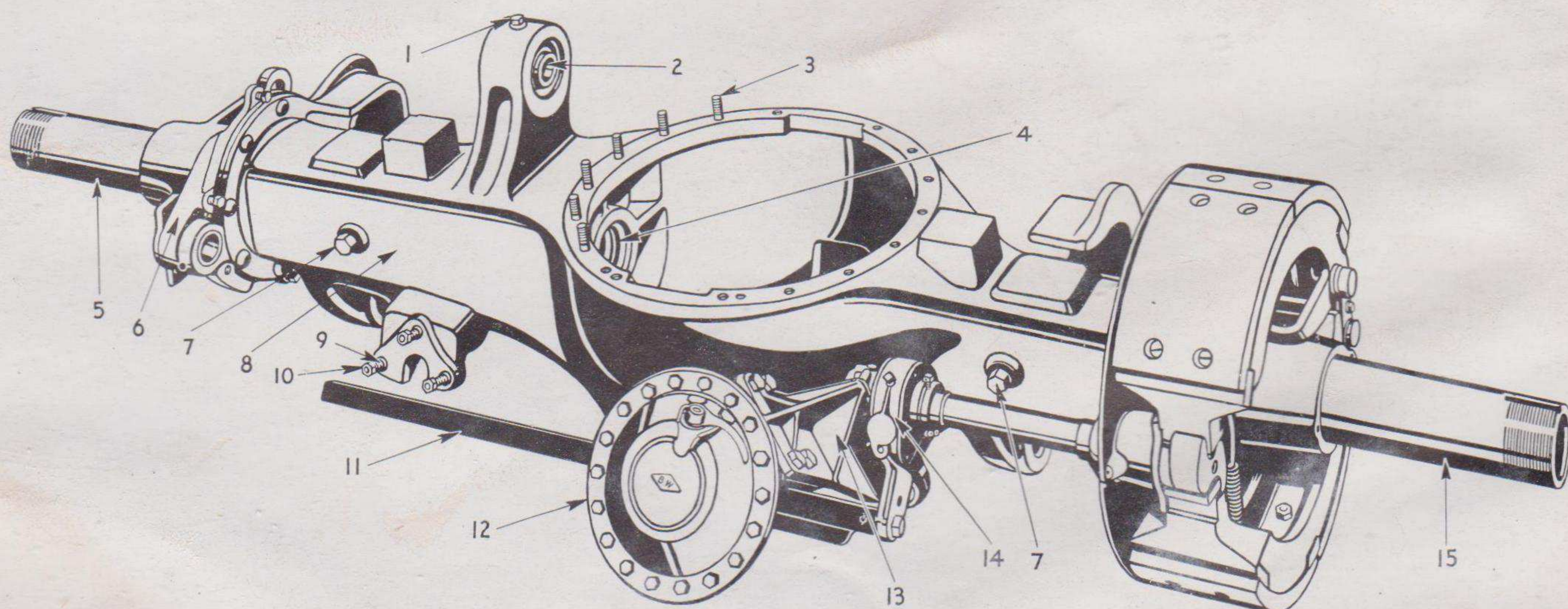
DIAMOND T MOTOR CAR COMPANY

Code	Mfr. No.	Description	Order by this Number	Quantity Required
	1205-V-126	Steering knuckle pin felt retainer	BB-25118	2
	1218-K-37	Steering knuckle pin felt retainer lock	BB-25119	2
	7-X-15	Steering knuckle pin draw key	15109C	2
	13-X-5	Steering knuckle pin draw key nut	DX-1091	2
	X-531	Steering knuckle pin draw key nut lockwasher	DX-259	2
	T-163	Steering knuckle pin thrust bearing	BB-25120	2
		Steering knuckle pin grease fitting—top	N-2568D	2
		Steering knuckle pin grease fitting—bottom	N-2568A	2
	3133-E-863	Steering arm	BB-25130	1
	2110-A-1	Steering arm ball	BB-25134	1
	13453	Steering arm ball nut	15135F	1
	X-191	Steering arm ball nut cotter pin	DX-215A	1
	16-X-1	Steering arm key	35234F	1
	14-X-27	Steering arm nut	25134J	1
	X-709	Steering arm nut cotter pin	DX-228	1
	3133-V-308	Steering cross tube arm—R. H.	BB-25132	1
	3133-U-307	Steering cross tube arm—L. H.	BB-25133	1
	14-X-27	Steering cross tube arm nut	25134J	2
	X-709	Steering cross tube arm nut cotterpin	DX-228	2
	16-X-1	Steering cross tube arm key	35234F	2

11 — REAR AXLE

1100 — Rear Axle Assembly

SD-462-W-X-13	Rear axle assembly (ratio 11.66 to 1) (Timken).....	DX-5924	1
76783-W-X-10	Forward axle assembly	BB-26011	1
76784-W-X-11	Rear axle assembly	BB-26012	1
A-3277-J-764	Spring seat assembly	BB-26004	2
1825-A-1	Spring seat bushing	BB-26005	4
X-361	Spring seat plug (1/8" P.T. sq. hd.)	DX-609	2
5X-270	Spring seat packing	BB-26006	2
5X-448	Spring seat packing	BB-26007	2
5X-297	Spring seat cork	BB-26008	2



1. Torque rod ball bushing screw.....	BB-27170	8. Housing assembly	BB-26001
2. Torque rod ball bushing	DX-3517	9. Camshaft and diaphragm bracket stud.....	16549F
3. Carrier and housing stud	6562C	10. Camshaft and diaphragm bracket stud nut.....	16558J
4. Axle shaft oil seal	BB-26040	11. Diaphragm chamber equalizer	BB-26080
5. Housing sleeve — long	BB-26058	12. Brake diaphragm chamber assembly	BB-26022
6. Brake spider and sleeve assembly.....	BB-26027	13. Camshaft and diaphragm bracket	BB-26021
7. Housing sleeve screw	36004J	14. Rear brake slack adjuster	BB-25138
		15. Housing sleeve — short	BB-26059

1100
1101
REAR AXLE

980 — 6 x 4 — PARTS LIST

Code	Mfr. No.	Description	Order by this Number	Quantity Required
3X-123		Spring seat clampscrew	BB-26009	4
8X-3		Spring seat clampscrew washer	BB-26010	4
A-1-3816-D-4		Spring seat connecting tube assembly	BB-27179	1
1250-M-65		Spring seat connecting tube plug	17181M	2
1850-H-8		Spring seat connecting tube oil filler	17182M	2
X-300		Spring seat connecting tube oil filler plug (3/4" P.T.S.H.)	DX-611	2
1827-B-28		Spring seat connecting tube adjusting nut	BB-27185	2
5X-271		Spring seat connecting tube adjusting nut packing	BB-27188	2
1820-H-8		Spring seat connecting tube adjusting nut lock	BB-27181	2
1829-F-58		Spring seat connecting tube adjusting nut washer	BB-27186	2
1246-L-220		Spring seat connecting tube adjusting nut washer pin	6260J	2
3X-92		Spring seat connecting tube adjusting nut bolt	BB-27187	2
13X-7		Spring seat connecting tube adjusting nut bolt nut	DX-1032C	2
X-533		Spring seat connecting tube adjusting nut bolt washer	6703C	2
A-3280-A-1145		Spring seat connecting tube oil cartridge	BB-27180	4
3883-F-6		Frame support seat	BB-27150	2
3X-113		Frame support seat clamp bolt	BB-27151	4
13X-11		Frame support seat clamp bolt nut	47231F	4
X-1855		Frame support seat clamp bolt nut washer (1")	DX-269	4
A-1-3102-B-1146		Torque rod assembly — upper	BB-27154	2
A-1-3102-C-1147		Torque rod assembly — lower	BB-27155	4
A-1218Y51		Torque rod oil seal assembly	DX-3519	4
2110K37		Torque rod end pin — upper	BB-27156	6
1246-F-214		Torque rod end pin dowel	BB-27157	8
1229-C-705		Torque rod end pin washer	BB-27158	4
1229-L-272		Torque rod end pin washer	BB-27159	2
3280-C-965		Torque rod end pin — lower	BB-27160	4
1246-E-213		Torque rod end pin dowel	BB-27161	4
1227-U-151		Torque rod end pin nut	BB-27162	4
X-1952		Torque rod end pin nut cotter pin (5/32x3")	DX-221B	4
1229-L-272		Torque rod end pin washer	BB-27159	10
X-1133		Torque rod end pin nut	X-616	10
1227-X-232		Torque rod end pin washer nut	BB-27164	10
X-178		Torque rod end pin washer nut cotter pin	DX-215B	10
X-470		Torque rod end pin washer nut cotter pin	DX-219A	10
2297-L-298		Torque rod ball	DX-3518	2
1225-D-212		Torque rod ball bushing	DX-3517	4
10X-134		Torque rod ball bushing screw	BB-27170	2
X-530		Torque rod ball bushing screw washer	DX-256	2
1254-D-30		Torque rod ball bushing lock (.180")	DX-3522	4
1254-E-31		Torque rod ball bushing lock (.177")	DX-3523	4
1254-Q-43		Torque rod ball bushing lock (.165")	BB-27171	4
1254-R-44		Torque rod ball bushing lock (.170")	BB-27172	4
		Torque rod assembly — upper — grease fittings	N-2568A	2

1101 — Housing Assembly

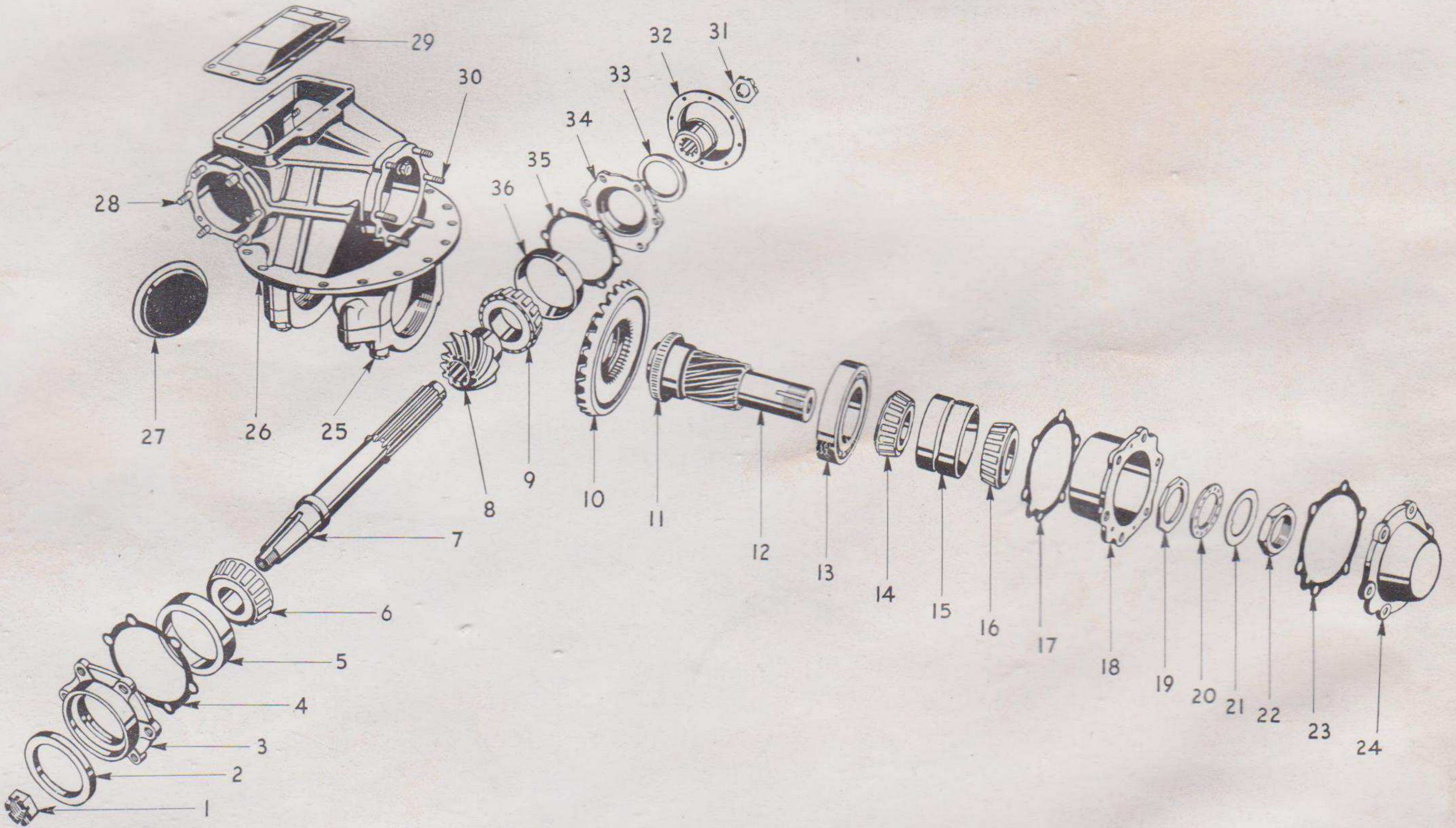
A-6-3201-Q-745	Housing assembly	BB-26001	2
X-1011	Housing filler plug (1 1/4" P.T. sq. hd.)	DX-611G	2
X-1278	Housing drain plug (1 1/4" P.T. Headless)	DX-611J	2
A-1199-C-1043	Housing breather nipple assembly	BB-6003	2
1898-W-205	Housing breather nipple reducing bushing	BB-6004	2
1199-M-585	Housing spring plate	BB-26002	4
1199-W-751	Housing spring wear plate	BB-26003	4
3216-D-212	Housing sleeve — long — (R.H. rear and L.H. front)	BB-26058	2
3216-E-213	Housing sleeve — short — (L.H. rear and R.H. front)	BB-26059	2
10X-86	Housing sleeve screw	36004J	4
X-533	Housing sleeve screw washer	6703C	4
A-1205-X-258	Axle shaft oil seal assembly	BB-26040	4

DIAMOND T MOTOR CAR COMPANY

Code	Mfr. No.	Description	Order by this Number	Quantity Required
1102 — Drive Shafts				
	A-3202-T-1034	Axle shaft assembly — long	BB-26041	2
	A-3202-V-1036	Axle shaft assembly — short	BB-26042	2
	X-1680	Axle shaft puller screw	Z-6812	4
	X-768	Axle shaft puller screw nut	DX-640	4
	2208-Q-69	Axle shaft gasket	26871F	4
	1246-Y-233	Axle shaft dowel	16868F	12
	1229-V-516	Axle shaft dowel lock	BB-16013	12
	19868-E	Axle shaft stud	6059F	32
	18889-E-2	Axle shaft stud nut (1/2" U.S.S. hex.)	DX-179	32
	X-1363	Axle shaft stud nut lockwasher	DX-259	20

1103 — Differential Carrier Assembly

A-3800-F-84	Differential carrier assembly — forward (Ratio 11.66 to 1)	BB-26200	1
A-1-3800-F-84	Differential carrier assembly — rear (Ratio 11.66 to 1)	BB-26201	1
A-2-3800-F-84	Differential carrier and cap assembly	BB-26202	2
4X-392	Differential carrier bearing cap stud — long	BB-26203	8
4X-393	Differential carrier bearing cap stud — short	BB-26204	8
X-949	Differential assembly with spur gear (specify ratio)	X-614	8

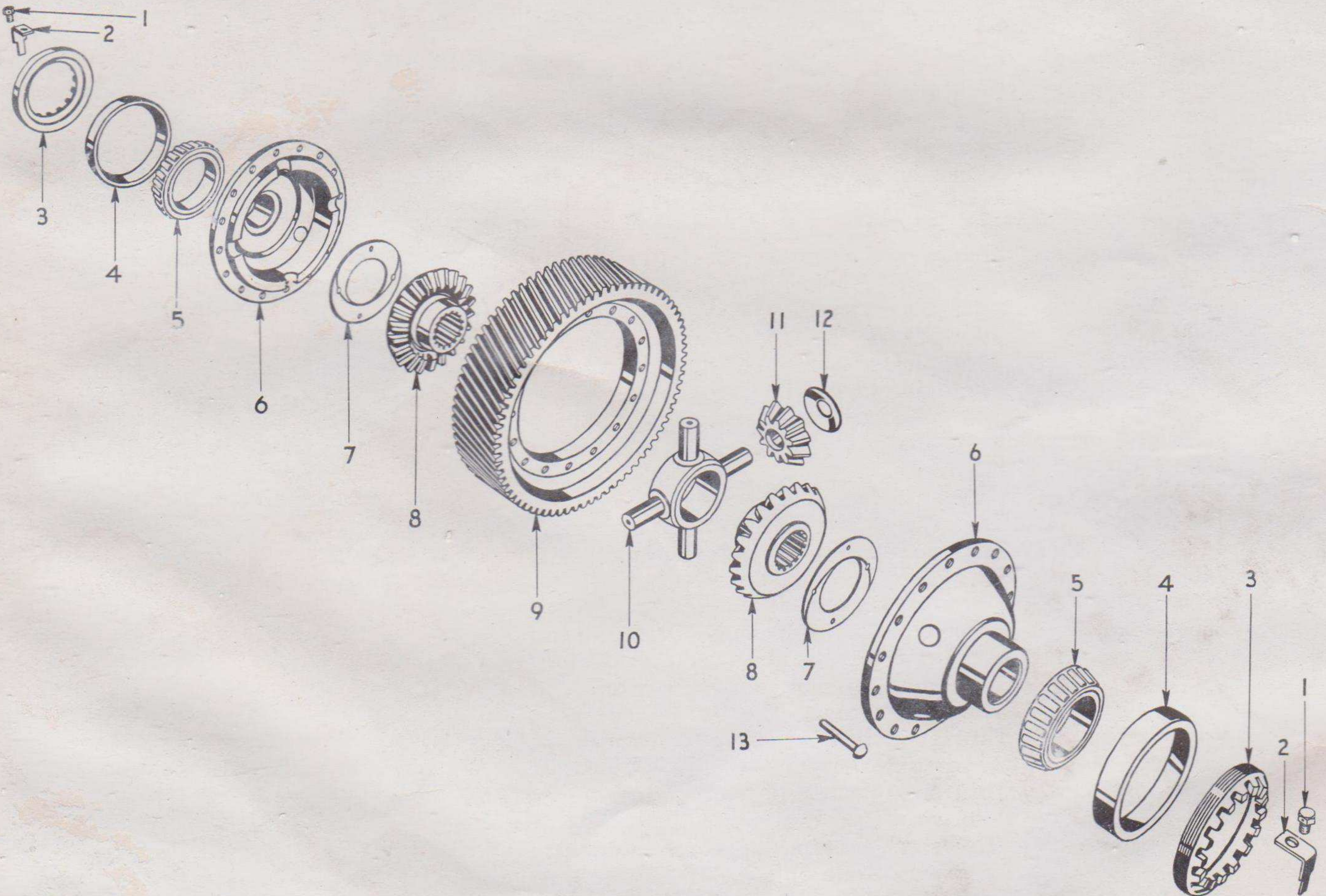


1. Thru-shaft nut — rear	56690J	13. Spur pinion and bevel gear bearing	BB-26241	26. Differential carrier and cap assembly	BB-26202
2. Oil seal assembly	BB-26249	14. Spur pinion bearing cone	BB-26229	27. Differential carrier plug	BB-26206
3. Bearing cover and oil seal assembly	BB-26250	15. Spur pinion bearing cup	BB-26230	28. Bearing cone stud	BB-26256
4. Bearing cover and seal gasket	BB-26251	16. Spur pinion bearing cone	BB-26229	29. Carrier top cover	BB-26208
5. Thru-shaft bearing cup	56621J	17. Bearing cage gasket	BB-26234	30. Bearing cage stud	BB-26238
6. Thru-shaft bearing cone	56620J	18. Bearing cage assembly	BB-26233	31. Thru-shaft nut — forward	BB-26245
7. Thru-shaft	BB-26261	19. Bearing adjusting nut	6046F	32. Companion flange	N-26321
8. Bevel pinion	BB-26244	20. Bearing washer	6050F	33. Oil seal	BB-26249
9. Thru-shaft bearing cone	BB-26246	21. Adjusting nut jam nut washer	BB-26232	34. Bearing cover and seal assembly	BB-26247
10. Bevel gear	BB-26243	22. Adjusting nut jam nut	BB-26231	35. Bearing cover and seal gasket	BB-26248
11. Bevel gear hub — integral part of spur pinion	NSS	23. Bearing cover gasket	BB-26240	36. Thru-shaft bearing cup	16888J
12. Spur pinion	BB-26228	24. Bearing cover	BB-26239		
		25. Carrier bearing cap stud nut	X-614		

1103 REAR AXLE

980 — 6 x 4 — PARTS LIST

Code	Mfr. No.	Description	Order by this Number	Quantity Required
X-1951		Differential carrier bearing cap stud nut cotter pin (5/32x2 3/4")	DX-213B	8
T-4926		Differential carrier bearing cap stud nut wire	BB-26205	4
1850-W-23		Differential carrier plug	BB-26206	2
2808-G-189		Differential carrier plug gasket	BB-26207	2
3855-E-5		Differential carrier top cover	BB-2C208	2
2808-R-96		Differential carrier top cover gasket	BB-26209	2
2X-36		Differential carrier top cover screw — long	BB-6038	8
X-898		Differential carrier top cover screw — short (3/8x1" U.S.S)	DX-112	12
X-529		Differential carrier top cover screw washer	DX-254	20
A-1-3835-K-63		Differential assembly	BB-26215	2
A-3835-K-63		Differential case assembly	BB-26216	2
10X-167		Differential case cap screw	BB-26217	16
X-1957		Differential case and spur gear rivet	56610J	32
T-6551		Carrier and housing gasket	6561J	2
15014		Carrier and housing stud	6562C	12
X-1719		Carrier and housing stud nut	DX-179	12
2X-43		Carrier and housing screw	BB-26068	20
X-1363		Carrier and housing screw washer	DX-259	32
1246-B-28		Carrier dowel	16009F	2
A-3-3835-K-63		Differential assembly with spur gear (specify ratio)	BB-26260	2



1. Adjusting ring lock screw.....BB26214	5. Differential bearing cone.....BB-26210	10. Differential spider.....BB-26220
2. Adjusting ring lock.....BB-26213	6. Differential case assembly.....BB-26216	11. Differential pinion gear.....BB-26221
3. Differential bearing adjusting ring.....BB-26212	7. Side gear thrust washer.....BB-26219	12. Differential pinion gear thrust washer.....BB-26222
4. Differential bearing cup.....BB-26211	8. Side gear.....BB-26218	13. Rivet.....56610J
	9. Spur gear.....BB-26225	

DIAMOND T MOTOR CAR COMPANY

Code	Mfr. No.	Description	Order by this Number	Quantity Required
1104 — Side Gears and Pinions				
	2834-C-29	Differential side gear	BB-26218	4
	1229-V-880	Differential side gear thrust washer	BB-26219	4
	2233-U-47	Differential pinion gear	BB-26221	8
	1829-Q-95	Differential pinion gear thrust washer	BB-26222	8
	3278-T-46	Differential spider	BB-26220	2
1105 — Drive Gears and Bushings				
	683	Differential bearing cone	BB-26210	4
	672	Differential bearing cup	BB-26211	4
	2814-H-8	Differential bearing adjusting ring	BB-26212	4
	1820-A-27	Differential bearing adjusting ring lock	BB-26213	4
	2X-31	Differential bearing adjusting ring lock screw	BB-26214	4
	3892-A-235	Spur gear (Ratio 11.66 to 1)	BB-26225	2
	3891-P-224	Spur pinion (Ratio 11.66 to 1)	BB-26228	2
	641	Spur pinion bearing cone	BB-26229	4
	632-D	Spur pinion bearing cup	BB-26230	2
	T-3840	Spur pinion bearing washer	6050F	2
	AT-6880	Spur pinion bearing adjusting nut	6046F	2
	1827-S-123	Spur pinion bearing adjusting nut jam nut	BB-26231	2
	1829-R-96	Spur pinion bearing adjusting nut jam nut washer	BB-26232	3
	3X-109	Spur pinion bearing adjusting nut jam nut washer screw	BB-6052	2
	1254-F-6	Spur pinion bearing adjusting nut jam nut washer screw wire	36626M	1
	A-3826-F-32	Spur pinion bearing cage assembly	BB-26233	2
	2808-E-83	Spur pinion bearing cage gasket	BB-26234	4
	2803-Z-208	Spur pinion bearing cage shim — thin	BB-26235	2
	2803-A-209	Spur pinion bearing cage shim — medium	BB-26236	5
	2803-B-210	Spur pinion bearing cage shim — thick	BB-26237	5
	4X-250	Spur pinion bearing cage stud (Forward axle)	BB-26238	6
	4X-182	Spur pinion bearing cage stud (Rear axle)	56645J	6
	13X-6	Spur pinion bearing cage stud nut	DX-599W	12
	X-532	Spur pinion bearing cage stud nut washer	DX-260	12
	3866-H-60	Spur pinion bearing cover	BB-26239	2
	2808-A-79	Spur pinion bearing cover gasket	BB-26240	2
	1828-B-28	Spur pinion and bevel gear bearing	BB-26241	2
	10X-279	Spur pinion and bevel gear screw	BB-26242	14
	T-4926	Spur pinion and bevel gear screw wire	BB-26205	2
	3889-W-75	Bevel gear	BB-26243	2
	3890-S-97	Bevel pinion	BB-26244	2
	3880-R-278	Thru shaft	BB-26261	2
	14X-57	Thru shaft nut — rear	56690J	2
	14X-58	Thru shaft nut — forward (forward axle)	BB-26245	1
	748-S	Thru shaft bearing cone — (forward axle forward — rear axle rear)	BB-26246	2
	636	Thru shaft bearing cone — (forward axle rear — rear axle forward)	56620J	2
	742	Thru shaft bearing cup — (forward axle forward — rear axle rear)	16888J	2
	632	Thru shaft bearing cup — (forward axle rear — rear axle forward)	56621J	2
	A-3866-P-198	Thru shaft bearing cover and seal assembly — forward (forward axle only)	BB-26247	1
	2808-E-187	Thru shaft bearing cover and seal gasket — forward (forward axle only) (rear axle — rear)	BB-26248	2
	A-1205-A-183	Thru shaft bearing cover oil seal assembly — (forward front and rear axle — rear on front axle)	BB-26249	3
	A-3866-A-209	Thru shaft bearing cover and seal assembly — (rear — forward axle) — (front — rear axle)	BB-26250	2
	2808-F-188	Thru shaft bearing cover and seal gasket — (rear — forward axle) — (front — rear axle)	BB-26251	2

SGV TD

**1105
REAR AXLE
1201
BRAKES**

980 — 6 x 4 — PARTS LIST

Code	Mfr. No.	Description	Order by Number	Quantity
2803-D-342		Thru shaft bearing cover shim — thin — (forward axle — front) (rear axle — rear)	BB-26252	12
2803-E-343		Thru shaft bearing cover shim — thick — (forward axle — front) (rear axle — rear)	BB-26253	2
2803-F-344		Thru shaft bearing cover shim — thin — (forward axle — rear) (rear axle — front)	BB-26254	12
2803-G-345		Thru shaft bearing cover shim — thick — (forward axle — rear) (rear axle — front)	BB-26255	2
4X-607		Thru shaft bearing cover stud ... <i>8500-4X607</i>	BB-26256	24
13X-6		Thru shaft bearing cover stud nut	DX-599W	24
X-532		Thru shaft bearing cover stud nut washer	DX-260	24
3866-C-211		Thru shaft bearing cover (rear axle — rear)	BB-26273	1

12 — BRAKES

1201 — Hand Brake, Emergency Brake Parts

65D-17554		Disc brake assembly (American Cable)	DX-5731	1
C-548		Disc brake assembly bracket — R.H.	18807J	1
C-549		Disc brake assembly bracket — L.H.	18808J	1
C-585		Disc brake shoe adjusting screw stud	18812J	2
C-532		Disc brake shoe lever arm — front — R.H.	18809F	1
C-531		Disc brake shoe lever arm — front — L.H.	18809J	1
C-530		Disc brake shoe lever arm — rear — R.H.	18810F	1
C-529		Disc brake shoe lever arm — rear — L.H.	18810J	1
C-524		Disc brake shoe lever arm anchor pin	18806F	4
C-512-1		Disc brake shoe lever arm anchor pin lock screw	18807R	1
C-521		Disc brake shoe lever arm tie rod	18814F	2
C-523		Disc brake shoe lever arm tie rod spring-lever arm release	18815F	2
C-538		Disc brake shoe lever arm tie rod spring washer	18816F	4
C-539		Disc brake shoe lever arm tie rod nut (spherical 1" deep x 5/16")	18817F	2
		Disc brake shoe lever arm tie rod nut locknut (5/8"-18)	DX-1032C	2
C-537		Disc brake shoe lever arm operating lever	18811J	2
RA-12-7		Disc brake shoe lever arm operating lever clevis pin (5/8")	18812F	4
		Disc brake shoe lever arm operating lever clevis cotter pin	DX-214	4
C-533		Disc brake shoe assembly — with lining	18840F	4
C-33		Disc brake shoe lining	18841J	4
C-91		Disc brake shoe lining rivet	18842C	32
C-522		Disc brake shoe pin	18838F	4
C-534		Disc brake shoe pin retainer	18839F	4
		Disc brake shoe pin retainer cap screw (5/16"x5/8"-18)	DX-103B	4
		Disc brake shoe pin retainer cap screw L.W.	DX-252	4
C-514		Disc brake shoe spring (between shoes)	18836R	2
C-520-2		Disc brake shoe adjusting set screw (3/8"x2 1/2")	18844F	2
C-520-3		Disc brake shoe adjusting set screw	18843F	2
C-572		Disc brake shoe adjusting set screw high nut	18847F	2
		Disc brake shoe adjusting set screw high nut locknut ...	DX-177	2
		Disc brake shoe adjusting set screw lock nut (5/16"-18) ..	DX-176	4
65S1700		Disc brake disc assembly	38837J	1
C-570-2		Disc brake cross shaft	18835J	1
C-565		Disc brake cross shaft bracket	28805J	2
C-413		Disc brake cross shaft operating lever	38853J	1
C-351		Disc brake cross shaft lever	28853J	2
RA-12-6		Disc brake cross shaft lever clevis pin (1/2" S.A.E.)	N-22265C	4
C-356		Disc brake cross shaft lever woodruff key (No. 12)	18839J	3
		Disc brake cross shaft lever bolt (3/8x1 7/8"-24)	DX-586L	3
		Disc brake assembly cross shaft lever bolt nut (3/8"-24) ...	DX-577	3
		Disc brake assembly cross shaft lever bolt nut L.W.	DX-255	3
C-567-2		Disc brake assembly cross shaft lever push rod	38848J	2
C-354		Disc brake assembly cross shaft lever push rod adjusting yoke	18856J	4

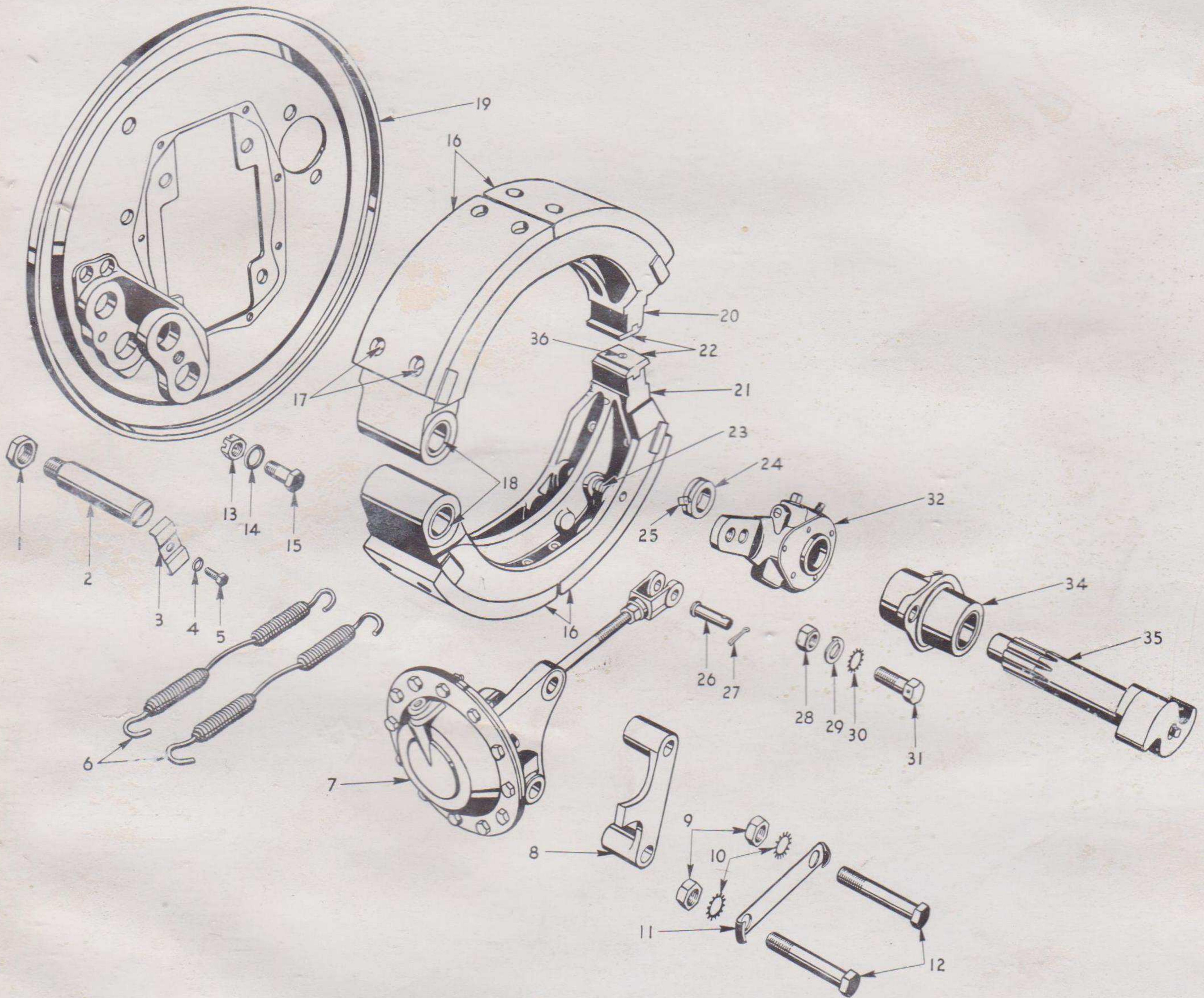
DIAMOND T MOTOR CAR COMPANY

Code	Part No.	Description	Order by this Number	Quantity Required
		Disc brake assembly cross shaft lever push rod nut (hex. 1/2" 20)	DX-1091	4
		Disc brake mounting bolt (1/2x1 1/4")	N-70251B	4
		Disc brake mounting bolt (1/2x1 1/2")	N-70251A	2
		Disc brake mounting bolt lockwasher	N-7460Z	6
		Disc brake grease fitting	N-2568D	4
		Disc brake cross shaft bracket bolt (1/2x1 1/2")	N-40251A	4
		Disc brake cross shaft bracket bolt nut	N-12311C	4
		Disc brake cross shaft bracket bolt lockwasher	N-7460Z	4
		Disc brake cross shaft bracket grease fitting	N-2568A	2
		Emergency lever	N-6244	1
		Emergency lever bracket ratchet	N-1464	1
X-02		Emergency lever grip latch	18053C	1
X-03		Emergency lever grip latch spring	18054C	1
X-04		Emergency lever grip latch screw	18055C	2
X-05		Emergency lever grip latch screw nut	18056C	2
X-06-4		Emergency lever pawl and rod end	18052C	1
X-07C-22		Emergency lever pawl and rod	BB-28050	1
X-08		Emergency lever pawl and rod screw	18051C	2
		Emergency lever grease fitting	N-2568F	1
		Emergency brake rod	N-16216	1
		Emergency brake rod yoke	N-1134B	2
		Emergency brake rod yoke nut	N-12311C	2
		Emergency brake rod yoke pin	N-22265C	2
		Emergency brake rod cotter pin	N-21265F	2
1202 — Brake Shoes and Facings				
A-3222-B-210		Front axle brake shoe assembly — upper	56030J	2
A-1-3222-B-210		Front axle brake shoe assembly — lower	56031J	2
2240-C-445		Front axle brake shoe lining	BB-25177	8
X-1915		Front axle brake shoe lining bolt	56033J	64
X-541		Front axle brake shoe lining bolt nut	DX-177	64
X-529		Front axle brake shoe lining bolt nut lockwasher	DX-254	64
A-3222-S-253		Rear axle brake shoe assembly — upper	66030J	4
A-1-3222-S-253		Rear axle brake shoe assembly — lower	66031J	4
2240-S-435		Rear axle brake shoe lining <i>H-017-054/0244</i>	BB-26077	16
X-1915		Rear axle brake shoe lining bolt	56033J	72
X-541		Rear axle brake shoe lining bolt nut	DX-177	72
X-527		Rear axle brake shoe lining bolt nut washer	DX-250	72
1203 — Brake Shoe Support, Guide, Springs, Adjusting Pins and Anchor Plate				
15015		Front brake shoe bushing	56035J	8
2297-L-168		Front brake shoe cam plate	56036J	4
X-1916		Front brake shoe cam plate screw	56037J	4
1259-Q-55		Front brake shoe anchor pin	BB-25155	4
X-361		Front brake shoe anchor pin plug	DX-609	4
13-X-18		Front brake shoe anchor pin nut	36456J	4
1229-B-366		Front brake shoe anchor pin lock	BB-25156	2
X-702		Front brake shoe anchor pin lock capscrew	DX-105	2
X-528		Front brake shoe anchor pin lock capscrew lockwasher	DX-253	2
2258-A-53		Front brake shoe return spring	56034J	2
1246-H-60		Front brake shoe return spring pin	56038J	4
1229-R-850		Front brake shoe anchor pin nut lock	BB-25157	2
X-967		Front brake shoe anchor pin nut lock capscrew	6364C	4
A-3299-Q-329		Front brake camshaft bracket and bushing assembly	BB-25164	2
1225-U-151		Front brake camshaft bracket bushing	56027F	4
3-X-75		Front brake camshaft bracket bolt (5/8x1 1/2" S.A.E.)	DX-586QQ	4
13-X-7		Front axle camshaft bracket bolt nut	DX-1032C	4
X-533		Front axle camshaft bracket bolt nut lockwasher	6703C	4
1229-X-518		Front brake camshaft bracket shakeproof washer	36022J	4
T-4735		Front brake camshaft bracket lockwire	36021F	2

1203 BRAKES

980 — 6 x 4 — PARTS LIST

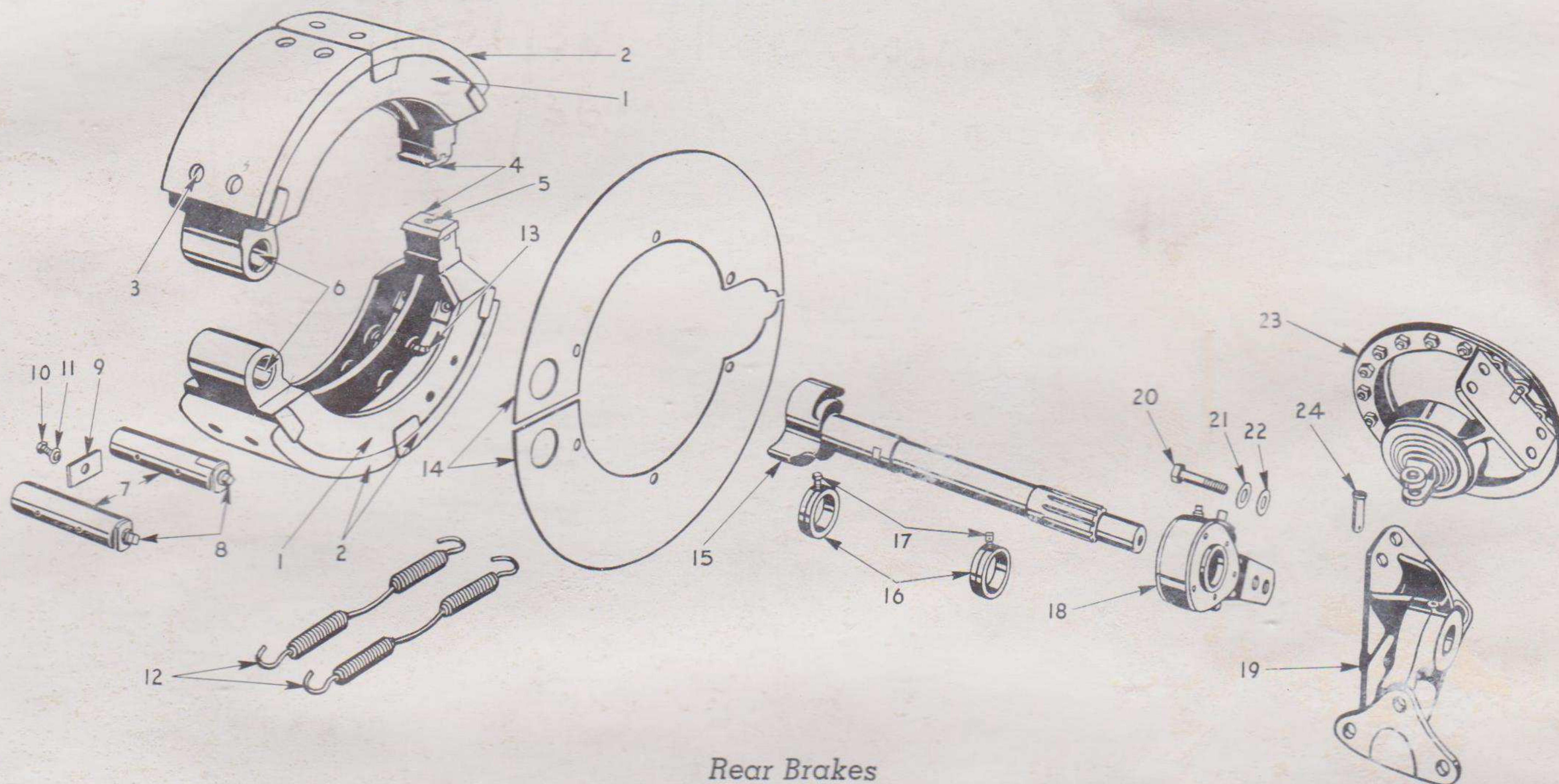
Code	Mfr. No.	Description	Order by this Number	Quantity Required
A-2210-S-253		Front brake camshaft assembly — R.H.	BB-25165	1
A-2210-R-252		Front brake camshaft assembly — L.H.	BB-25166	1
X-652		Front brake camshaft oil plug	DX-615	2
1199-T-150		Front brake camshaft collar	56022J	2
26-X-4		Front brake camshaft collar set screw	BB-16029	2



Front Brakes

1. Brake shoe anchor pin nut.....36456J	11. Diaphragm bracket bolt nut	24. Camshaft collar56022J
2. Brake shoe anchor pin.....BB-25155	lock BB-25146	25. Camshaft collar set screw.....BB-16029
3. Brake shoe anchor pin lock.....BB-25156	12. Diaphragm bracket boltBB-25145	26. Diaphragm yoke pin36434J
4. Brake shoe anchor pin lock	13. Dust shield bolt nut.....17192M	27. Diaphragm yoke cotterDX-215
cap screw lock washer.....DX-253	14. Dust shield bolt washer.....BB-25154	28. Bolt nutDX-1032C
5. Brake shoe anchor pin lock cap	15. Dust shield boltBB-25153	29. Bolt nut lock washer.....6703C
screwDX-105	16. Brake shoe lining.....BB-25177	30. Camshaft bracket shake-proof
6. Brake shoe return spring.....56034J	17. Brake shoe lining bolt.....56033J	washer33022J
7. Diaphragm chamber assembly..BB-5170	18. Brake shoe bushing56035J	31. Camshaft bracket boltDX-586QQ
8. Diaphragm bracket spacer.....BB-25144	19. Brake dust shield assembly.....BB-25150	32. Slack adjuster assembly.....BB-25135
9. Diaphragm bracket bolt nut.....15147C	20. Brake shoe assembly.....56030J	34. Camshaft bracket and bushing
10. Diaphragm bracket bolt nut	21. Brake shoe assembly.....56031J	assemblyBB-25164
lock washer6703C	22. Brake shoe cam plate.....56036J	35. Camshaft assemblyBB-25165
	23. Brake shoe return spring pin.....56038J	36. Brake shoe cam plate screw.....56037J

Code	Mfr. No.	Description	Order by this Number	Quantity Required
T-1701		Front brake camshaft collar set screw lockwire	16224C	2
217915		Front brake slack adjuster assembly — R.H.	BB-25135	1
217916		Front brake slack adjuster assembly — L.H.	BB-25136	1
212711		Front brake slack adjuster body — R.H.	BB-25137	1
212712		Front brake slack adjuster body — L.H.	BB-25138	1



Rear Brakes

1. Brake shoe assembly — upper.....66030J	10. Brake anchor pin lock screw.....DX-105	18. Slack adjuster assemblyBB-25136
1. Brake shoe assembly — lower.....66031J	11. Brake anchor pin lock screw washerDX-253	19. Brake camshaft diaphragm bracketBB-26020
2. Brake shoe liningBB-26077	12. Brake shoe spring56034J	20. Brake diaphragm equalizer boltBB-26082
3. Brake shoe lining bolt.....56033J	13. Brake shoe spring pin.....56038J	21. Diaphragm equalizer washer...BB-26084
4. Brake shoe cam plate.....56036J	14. Brake dust shieldBB-26031	22. Diaphragm equalizer washer...BB-26085
5. Brake shoe cam plate screw.....56037J	15. Brake camshaftBB-26072	23. Diaphragm chamber assy.BB-26022
6. Brake shoe bushing56035J	16. Brake camshaft collarBB-26073	24. Diaphragm yoke pin36434J
7. Brake anchor pin26013J	17. Brake camshaft collar screw...BB-16029	
8. Brake anchor pin plug.....DX-615		
9. Brake anchor pin lock.....26014J		

212629	Front brake slack adjuster worm gear	26021C	2
203680	Front brake slack adjuster pipe plug	26027C	2
212630	Front brake slack adjuster worm shaft	26028C	2
201327	Front brake slack adjuster worm shaft lock ball	26049R	2
212633	Front brake slack adjuster worm shaft lock ball spring ...	26046C	2
201326	Front brake slack adjuster worm shaft lock ball plug	35093F	2
212628	Front brake slack adjuster worm	26026F	2
212357	Front brake slack adjuster welsh plug	26022C	2
212631	Front brake slack adjuster cover	26023C	4
212632	Front brake slack adjuster rivet	26024C	10
	Front brake slack adjuster grease fitting	N-2568A	2
15015	Rear brake shoe bushing	56035J	16
2297-L-168	Rear brake shoe cam plate	56036J	8
X-1916	Rear brake shoe cam plate screw	56037J	8
2258-A-53	Rear brake shoe spring	56034J	8
1246-H-60	Rear brake shoe spring pin	56038J	8
1259-B-28	Rear brake anchor pin	26013J	8
X-652	Rear brake anchor pin plug	DX-615	8
1229-D-108	Rear brake anchor pin lock	26014J	4
X-702	Rear brake anchor pin lock screw	DX-105	4

1203
1204
BRAKES

980 — 6 x 4 — PARTS LIST

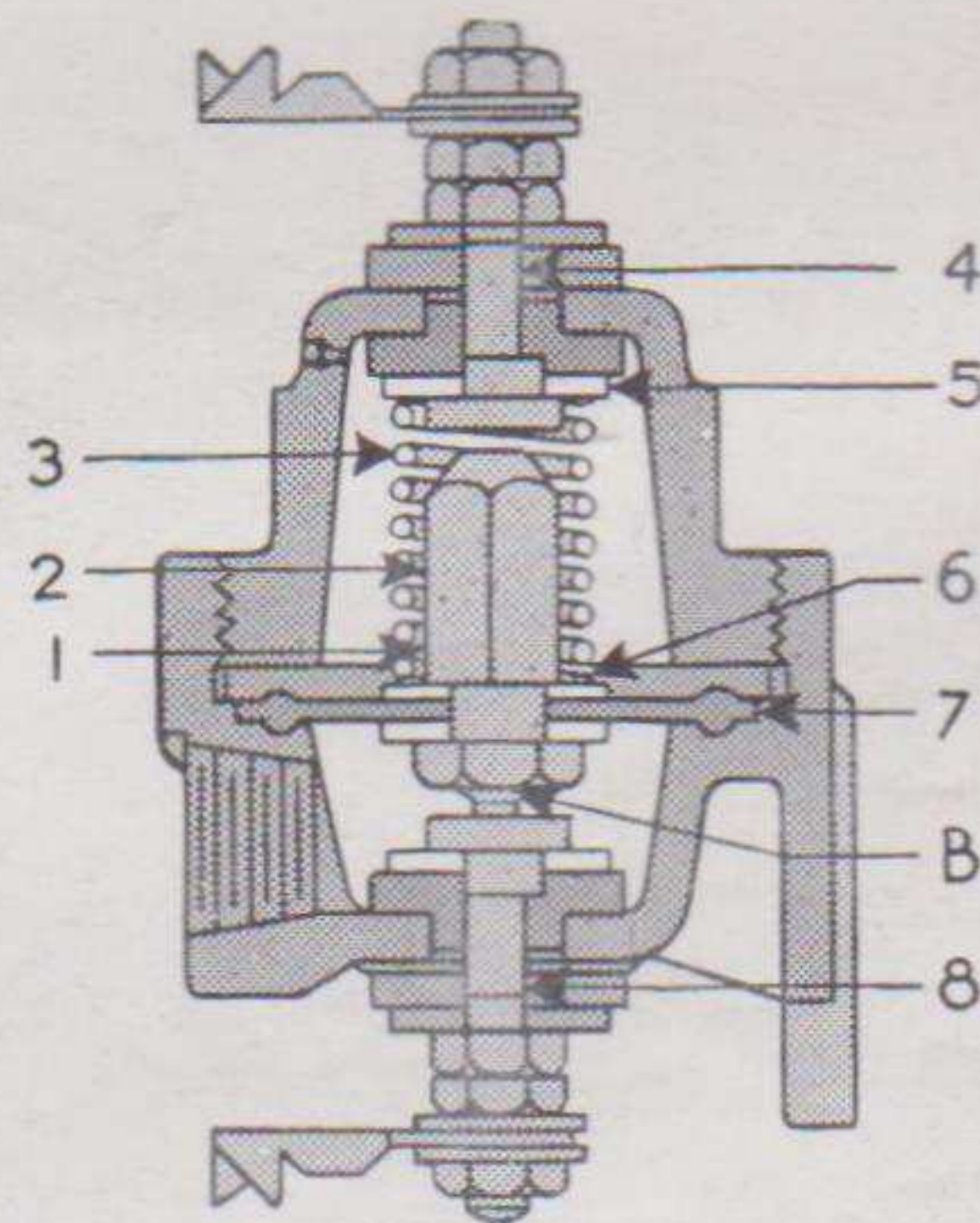
Code	Mfr. No.	Description	Order by this Number	Quantity Required
X-528		Rear brake anchor pin lock screw washer	DX-253	4
2210-Q-927		Rear brake camshaft — R.H. forward L.H. rear	BB-26072	2
2210-P-926		Rear brake camshaft — L.H. forward R.H. rear	BB-26071	2
1199-R-434		Rear brake camshaft collar	BB-26073	8
26X-4		Rear brake camshaft collar screw	BB-16029	8
T-3108		Rear brake camshaft collar screw wire	36503C	8
		Rear brake camshaft grease fitting	N-2568D	4
A-3211-P-484		Rear brake spider and bushing assembly — L.H. forward — R.H. rear	BB-26029	2
A-3211-Q-485		Rear brake spider and bushing assembly — R.H. forward — L.H. rear	BB-26030	2
A-11-3211-P-484		Rear brake spider and sleeve assembly — L.H. forward — R.H. rear	BB-26027	2
A-11-3211-Q-485		Rear brake spider and sleeve assembly — R.H. forward — L.H. rear	BB-26028	2
1225-R-200		Rear brake spider bushing	46012J	8
X-1876		Rear brake spider and housing rivet	DX-485	24
10X-65		Rear brake spider and housing screw (1/2x1 1/2" U.S.S.)	DX-134	8
X-1363		Rear brake spider and housing screw washer	DX-259	8
3299-P-588		Rear brake camshaft and diaphragm bracket — L.H. forward — R.H. rear	BB-26020	2
3299-Q-589		Rear brake camshaft and diaphragm bracket — R.H. forward — L.H. rear	BB-26021	2
4X-3		Rear brake camshaft and diaphragm bracket stud	16549F	12
13X-4		Rear brake camshaft and diaphragm bracket stud nut	16558J	12
X-530		Rear brake camshaft and diaphragm bracket stud nut washer	DX-256	12
217916		Rear brake slack adjuster assembly — R.H. front and L.H. rear	BB-25136	2
217915		Rear brake slack adjuster assembly — L.H. front and R.H. rear	BB-25135	2
212712		Rear brake slack adjuster body — R.H. front and L.H. rear	BB-25138	2
212711		Rear brake slack adjuster body — L.H. front and R.H. rear	BB-25137	2
212629		Rear brake slack adjuster worm gear	26021C	4
203680		Rear brake slack adjuster pipe plug	26027C	4
212630		Rear brake slack adjuster worm shaft	26028C	4
201327		Rear brake slack adjuster worm shaft lock ball	26049R	4
212633		Rear brake slack adjuster worm shaft lock ball spring	26046C	4
201326		Rear brake slack adjuster worm shaft lock ball plug	35093F	4
212628		Rear brake slack adjuster worm	26026F	4
212357		Rear brake slack adjuster welch plug	26022C	4
212631		Rear brake slack adjuster cover	26023C	8
212632		Rear brake slack adjuster rivet	26024C	20
		Rear brake slack adjuster grease fitting	N-2568A	8

1204 — Brake Pedal

	Brake pedal	N-20116	1
	Brake pedal pad	N-5489	1
	Brake pedal seal	N-7312A	1
	Brake pedal bushing	N-21492	2
	Brake pedal pull back spring	DT-3802A	1
	Brake pedal pull back spring anchor	DX-2927	1
	Brake pedal pull back spring anchor bolt	N-47251E	1
	Brake pedal pull back spring anchor bolt nut	N-12311B	1
	Brake pedal pull back spring anchor bolt lockwasher	N-7460AB	1
	Brake pedal air valve yoke rod	N-1134V	1
	Brake pedal air valve yoke rod yoke (1/2" S.A.E.)	N-8222A	1
	Brake pedal air valve yoke rod yoke nut (1/2"-20)	N-12311C	1
	Brake pedal air valve yoke rod yoke lockwasher (1/2")	N-7460Z	1
	Brake pedal air valve yoke rod yoke pin (1/2")	N-22265C	2
	Brake pedal air valve yoke rod cotter pin (1/8x7/8")	N-21265F	2

DIAMOND T MOTOR CAR COMPANY

Code	Mfr. No.	Description	Order by this Number	Quantity Required
1205 — Air Brake Tank, Compressor, Governor and Valves				
217858		Air reservoir tank — L.H.	BB-9150	1
		Air reservoir tank bracket — front	N-5472	1
		Air reservoir tank bracket — rear	N-4472	1
		Air reservoir tank bracket bolt	N-47251B	2
		Air reservoir tank bracket bolt nut	N-12311B	2
		Air reservoir tank bracket bolt lockwasher	N-7460AB	2
		Air reservoir tank U-bolt	N-7461	2
		Air reservoir tank U-bolt nut	N-12311J	4
		Air reservoir tank U-bolt lockwasher	N-7460AD	4
215310		Air reservoir tank drain cock	DX-3063	1
217858		Air reservoir tank — R.H.	BB-9150	1
		Air reservoir tank bracket — front	N-5472	1
		Air reservoir tank bracket — rear	N-4472	1
		Air reservoir tank bracket bolt	N-47251A	2
		Air reservoir tank bracket bolt nut	N-12311B	2
		Air reservoir tank bracket bolt lockwasher	N-7460AB	2
		Air reservoir tank U-bolt	N-7461	2
		Air reservoir tank U-bolt nut	N-12311J	4
		Air reservoir tank U-bolt lockwasher	N-7460AD	4
215310		Air reservoir tank drain cock	DX-3063	1
212322		Manifold	BB-9152	1
		Manifold bolt	N-60251GG	2
		Manifold bolt nut	N-16311L	4
		Manifold bolt nut lockwasher	N-7460AC	4
		Manifold plug	DX-615	2
215186		Low pressure indicator	BB-9153	1



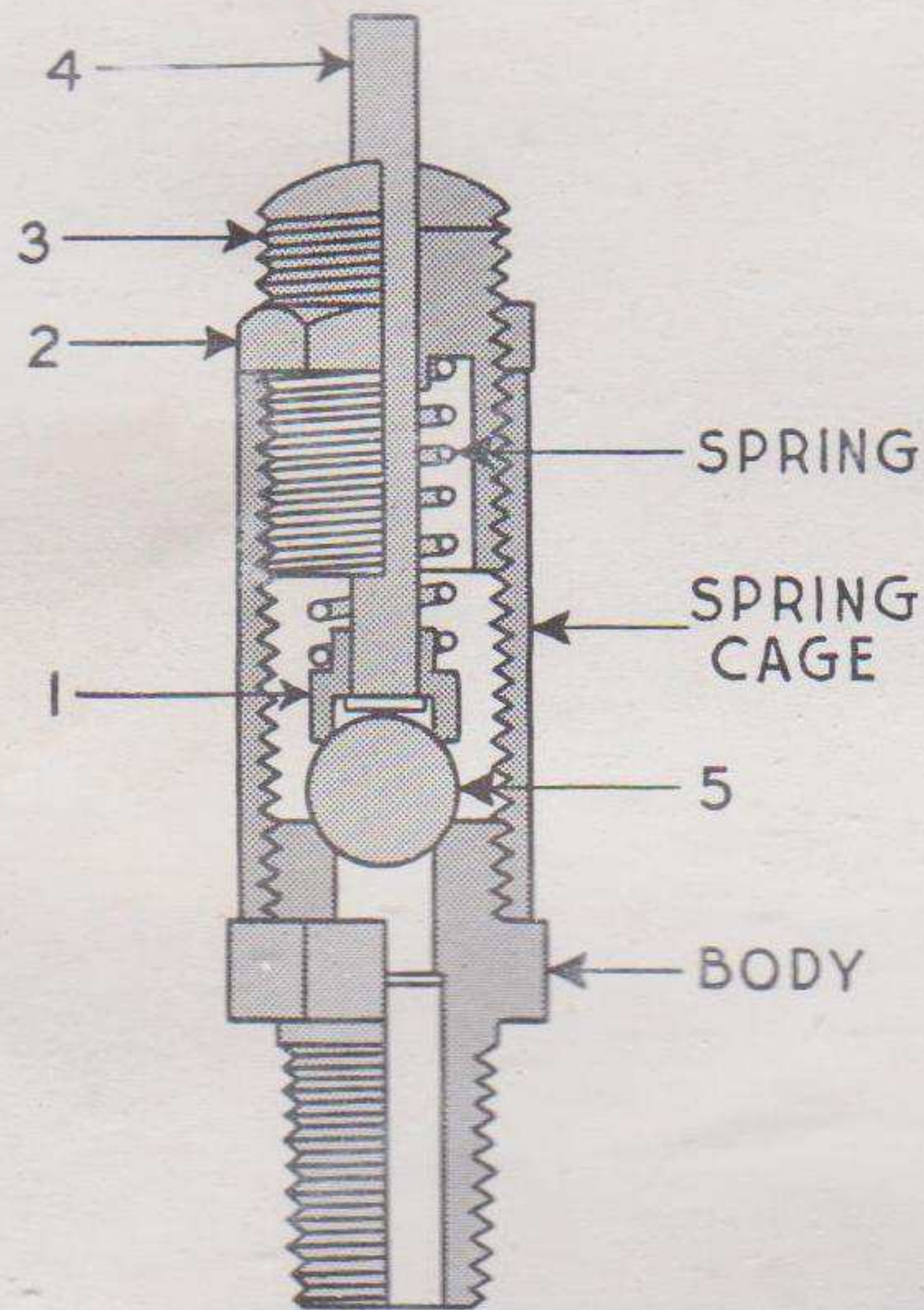
1. Diaphragm ring	BB-29168
2. Contact screw	BB-29181
3. Spring	BB-29170
4. Terminal screw	BB-29175
5. Washer	BB-29179
6. Washer	BB-29169
7. Diaphragm	BB-29182
8. Terminal screw	BB-29184
B. Nut	BB-29183

203246	Low pressure indicator seal washer	BB-29165	1
203053	Low pressure indicator body	BB-29166	1
203049	Low pressure indicator washer	BB-29167	1
203060	Low pressure indicator diaphragm ring	BB-29168	1
203320	Low pressure indicator washer	BB-29169	as req.
203061	Low pressure indicator spring	BB-29170	1
203062	Low pressure indicator cover	BB-29171	1
203054	Low pressure indicator bushing	BB-29172	2
203247	Low pressure indicator coupling washer	BB-29173	2
203063	Low pressure indicator terminal	BB-29174	2
203056	Low pressure indicator terminal screw	BB-29175	1
203059	Low pressure indicator nut	BB-29176	6
203058	Low pressure indicator washer	BB-29177	4
203057	Low pressure indicator washer	BB-29178	2
203055	Low pressure indicator washer	BB-29179	2
215185	Low pressure indicator diaphragm assembly	BB-29180	1
203050	Low pressure indicator contact screw	BB-29181	1
203048	Low pressure indicator diaphragm	BB-29182	1
203051	Low pressure indicator nut	BB-29183	1

1205 BRAKES

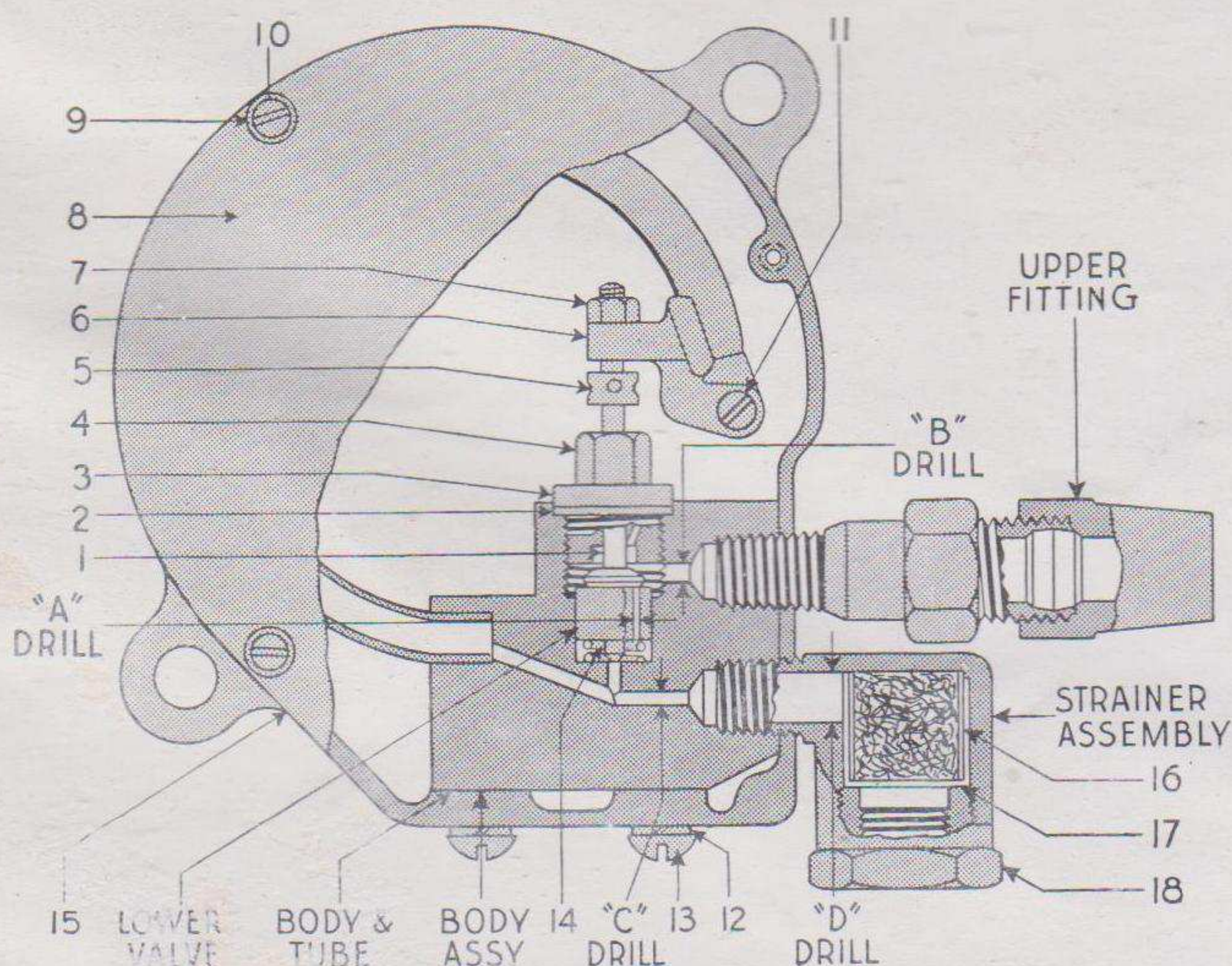
980 — 6 x 4 — PARTS LIST

Code	Mfr. No.	Description	Order by this Number	Quantity Required
215946		Low pressure indicator terminal screw	BB-29184	1
220835		Low pressure indicator buzzer	BB-29130	1
		Low pressure indicator buzzer bolt	N-60251AA	2
		Low pressure indicator buzzer bolt nut	N-16311N	2
		Low pressure indicator buzzer bolt lockwasher	N-7460Q	2
205105		Safety valve	DX-3064	1



1. Spring seat	BB-29160
2. Lock nut	BB-29163
3. Adj. nut	BB-29162
4. Release pin	BB-29164
5. Steel ball	Z-07

201609	Safety valve body	BB-29158	1
201614	Safety valve spring	BB-29159	1
201610	Safety valve spring cage	BB-29161	1
201615	Safety valve spring seat	BB-29160	1
201612	Safety valve lock nut	BB-29163	1
201611	Safety valve adjusting nut	BB-29162	1
201613	Safety valve release pin	BB-29164	1
201648	Safety valve ball	Z-07	1
221192	Air supply valve	BB-9140	1
	Air supply valve spacer	DT-1148CE	1
	Air supply valve bolt	N-60251HH	1
	Air supply valve bolt nut	N-16311D	2
	Air supply valve bolt lockwasher	N-7460AC	2
215639	Governor	BB-9156	1

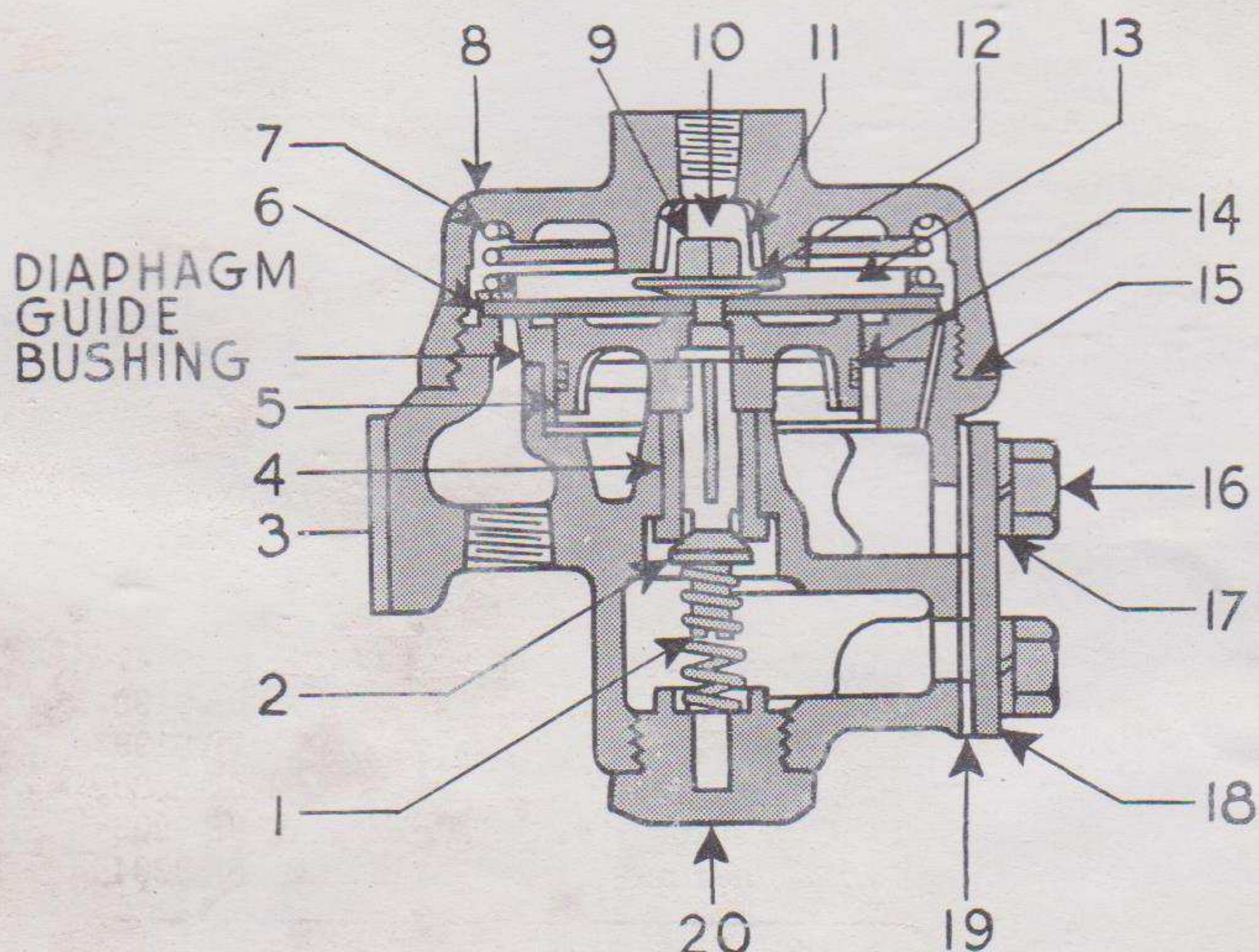


1. Upper valve	19111C
2. Shims	19113C
3. Valve guide	19112C
4. Upper va. assy.	BB-9191
5. Adj. screw	19114C
6. Adj. scr. brkt.	BB-9192
7. Adj. scr. nut	BB-9193
8. Cover	BB-9194
9. Lock washer	DX-250A
10. Mach. screw	BB-9195
11. Mach. screw	BB-9196
12. Lock washer	DX-251
13. Mach. screw	BB-9197
14. Spring	BB-9198
15. Case	BB-9199
16. Strainer body	BB-9200
17. Cup strainer	BB-9203
18. Strainer nut	BB-9204

DIAMOND T MOTOR CAR COMPANY

1205
BRAKES

Code	Mfr. No.	Description	Order by this Number	Quantity Required
205469		Governor assembly	BB-9183	1
205470		Governor body assembly	BB-9184	1
205471		Governor body and tube	BB-9187	1
205817		Governor body upper connection	BB-9188	1
205115		Governor air strainer	BB-9189	1
201780		Governor air strainer body	BB-9190	1
201518		Governor air lower valve	19116C	1
201737		Governor air upper valve	19111C	1
201552		Governor air shim	19113C	as req.
201519		Governor air valve guide	19112C	1
217221		Governor air upper valve assembly	BB-9191	1
201521		Governor air adjusting screw	19114C	1
201520		Governor air adjusting screw bracket	BB-9192	1
210564		Governor air adjusting screw nut	BB-9193	1
201523		Governor air cover	BB-9194	1
201556		Governor air cover L.W. (1/8")	DX-250A	4
204875		Governor air cover screw (No. 5 — 36x1/4")	BB-9195	4
210563		Governor air cover screw (No. 5 — 36x3/8")	BB-9196	1
201543		Governor air L.W. (3/16")	DX-251	4
204874		Governor air machine screw (24x1/2"-10)	BB-9197	4
201769		Governor air piston spring	BB-9198	1
201522		Governor air case	BB-9199	1
216627		Governor cylinder strainer	BB-9200	1
200099		Governor cup strainer	BB-9203	1
202620		Governor air strainer cap nut	BB-9204	1
		Governor bolt	N-60251GG	2
		Governor bolt nut	N-16311D	4
		Governor bolt lockwasher	N-7460J	4
		Governor spacer	DT-1148CD	2
11553A		Governor control plate stud	BB-23880	2
845A		Governor control plate stud nut	DX-599C	2
335A		Governor control plate stud nut lockwasher	DX-256	2
88893A		Governor stop return spring	BB-23889	1
88892A		Governor stop return spring anchor	BB-23890	1
88890A		Governor stop control rod	BB-23891	1
28A		Governor stop control rod nut (5/16"-24)	DX-581	2
11530A		Governor stop control rod ball joint	BB-23892	1
4242A		Governor stop control rod ball joint lockwasher	31359J	1
88572A		Governor stop lever	BB-23888	1
217383		Relay valve	BB-9163	1

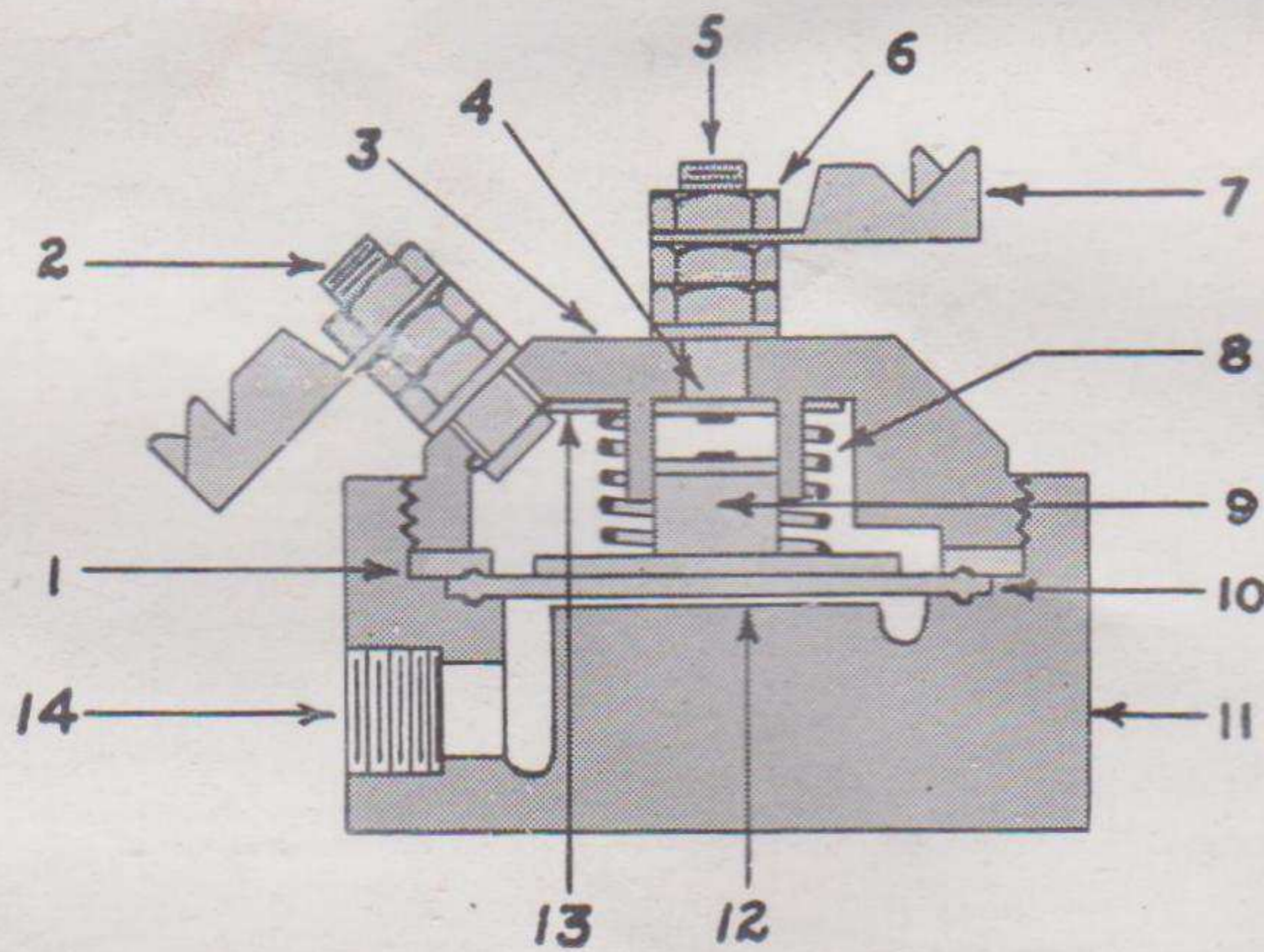


- | | |
|---------------------------------|----------|
| 1. Supply valve spring | 1919C |
| 2. Supply valve stem | 19195C |
| 3. Relay valve body | BB-29195 |
| 4. Bushing | BB-29196 |
| 5. Diaphragm guide | BB-29198 |
| 6. Diaphragm | 19197C |
| 7. Spring | 19198C |
| 8. Cover | BB-29199 |
| 9. Hex. nut | BB-29200 |
| 10. Diaphragm screw | BB-29201 |
| 11. Cotter pin | BB-29202 |
| 12. Diaphragm washer | BB-29203 |
| 13. Spring seat | BB-29204 |
| 14. Diaphragm guide ring | BB-29205 |
| 15. Cover gasket | BB-29206 |
| 16. Cap screw | 36429C |
| 17. Lock washer (5/16") | DX-252 |
| 18. Blanking cover | BB-29207 |
| 19. Blanking cover gasket | BB-29208 |
| 20. Cap nut | BB-29209 |

1205 BRAKES

980 — 6 x 4 — PARTS LIST

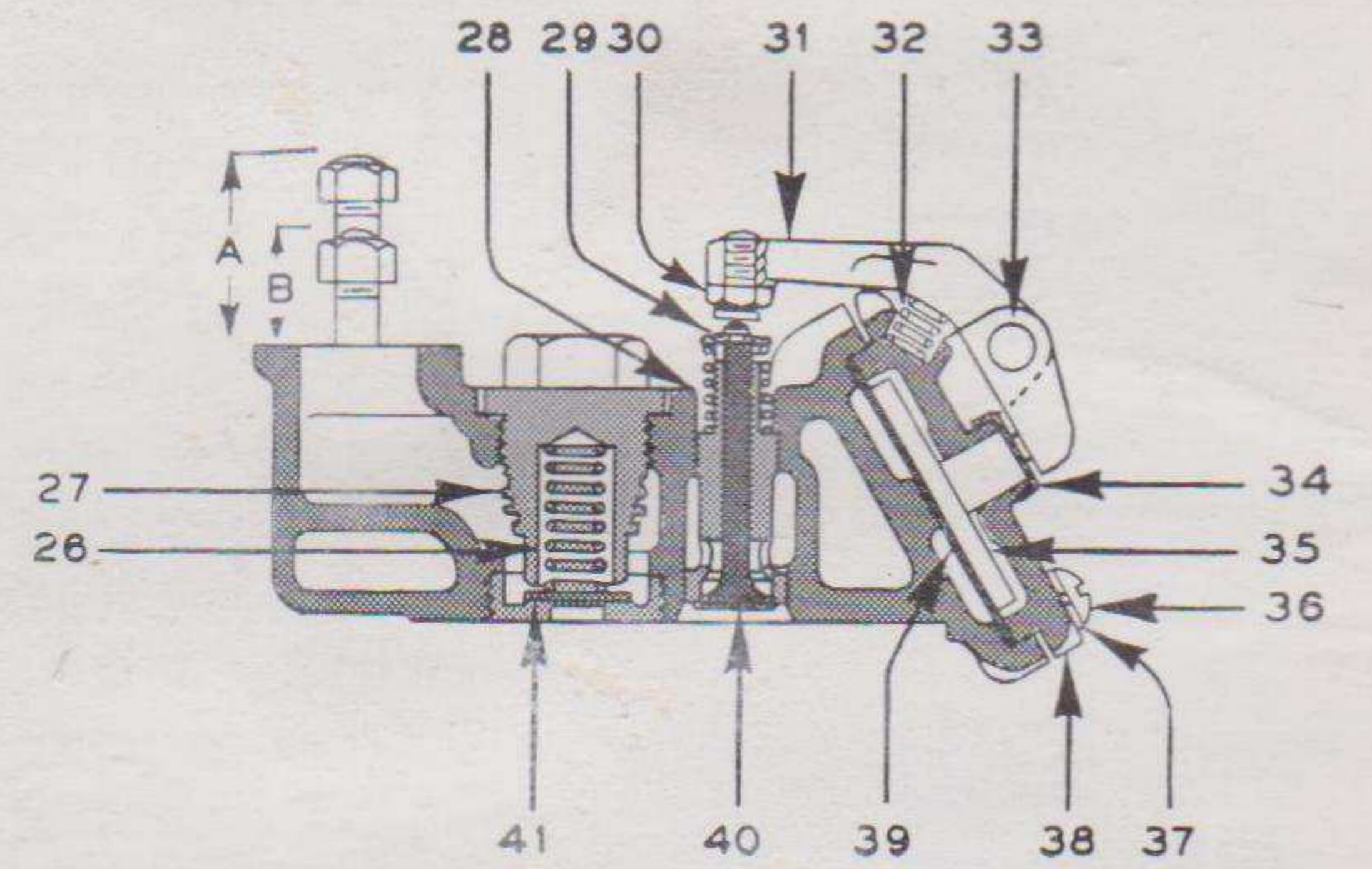
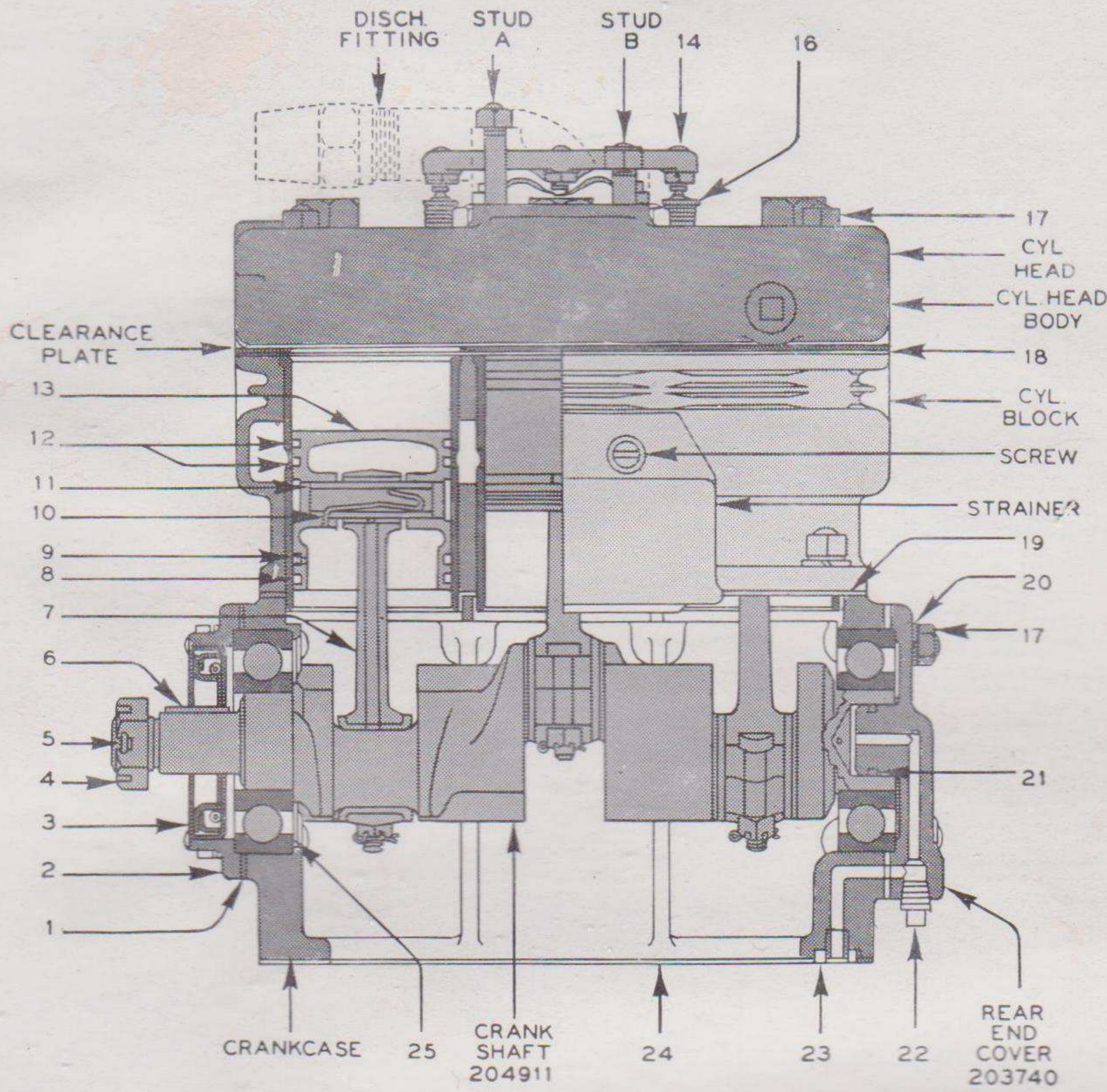
Code	Mfr. No.	Description	Order by this Number	Quantity Required
202699		Relay valve supply valve spring	19196C	1
202693		Relay valve supply valve stem	19195C	1
216071		Relay valve body	BB-29195	1
202690		Relay valve supply valve bushing	BB-29196	1
204650		Relay valve diaphragm guide	BB-29198	1
202695		Relay valve diaphragm	19197C	1
202698		Relay valve diaphragm spring	19198C	1
212135		Relay valve body bushing	BB-29197	1
202691		Relay valve top cover	BB-29199	1
203227		Relay valve nut — hexagon	BB-29200	1
204651		Relay valve diaphragm guide screw	BB-29201	1
203016		Relay valve cotter pin (1/16x1/2")	BB-29202	1
202696		Relay valve diaphragm washer	BB-29203	1
211519		Relay valve diaphragm spring seat	BB-29204	1
202869		Relay valve diaphragm guide ring	BB-29205	1
211367		Relay valve cover gasket	BB-29206	1
202979		Relay valve cap screw hexagon head U.S.S. (5/16x3/4")	36429C	4
202892		Relay valve cap screw L.W. (5/16")	DX-252	4
202748		Relay valve blanking cover	BB-29207	1
202735		Relay valve blanking cover gasket	BB-29208	1
202692		Relay valve supply valve cap	BB-29209	1
		Relay valve bolt (3/8x1 3/4"-24)	N-47251K	2
		Relay valve bolt nut (3/8"-24)	N-12311B	2
		Relay valve lockwasher (3/8")	N-7460AB	2
215537		Stop light switch	BB-9160	1



1. Diaphragm ring	BB-29185
2. Terminal screw	BB-29186
3. Cover	BB-29187
4. Washer	BB-29177
5. Terminal screw	BB-29188
6. Hex. nut	BB-29176
7. Terminal	BB-29174
8. Spring	BB-29191
9. Contact plunger	BB-29189
10. Diaphragm	BB-29190
11. Body	BB-29192
12. Lower air chamber	
13. Terminal connector	BB-29192
14. Air inlet	

203620		Stop light switch spring	BB-29191	1
203382		Stop light switch diaphragm ring	BB-29185	1
203623		Stop light switch terminal screw	BB-29186	1
203621		Stop light switch cover	BB-29187	1
203058		Stop light switch washer	BB-29177	6
215959		Stop light switch terminal screw	BB-29188	1
203059		Stop light switch nut — hexagon	BB-29176	6
203063		Stop light switch terminal	BB-29174	2
215538		Stop light switch contact plunger	BB-29189	1
203381		Stop light switch diaphragm	BB-29190	1
203380		Stop light switch body	BB-29192	1
203622		Stop light switch terminal connector	BB-29193	1
		Stop light switch bolt (1/4x1"-28)	N-48251B	2
		Stop light switch bolt nut (1/4"-28)	N-12311A	2
		Stop light switch bolt lockwasher (1/4")	N-7460AC	2
217558		Air compressor	BB-29250	1
220313		Air compressor cylinder head	BB-29252	1

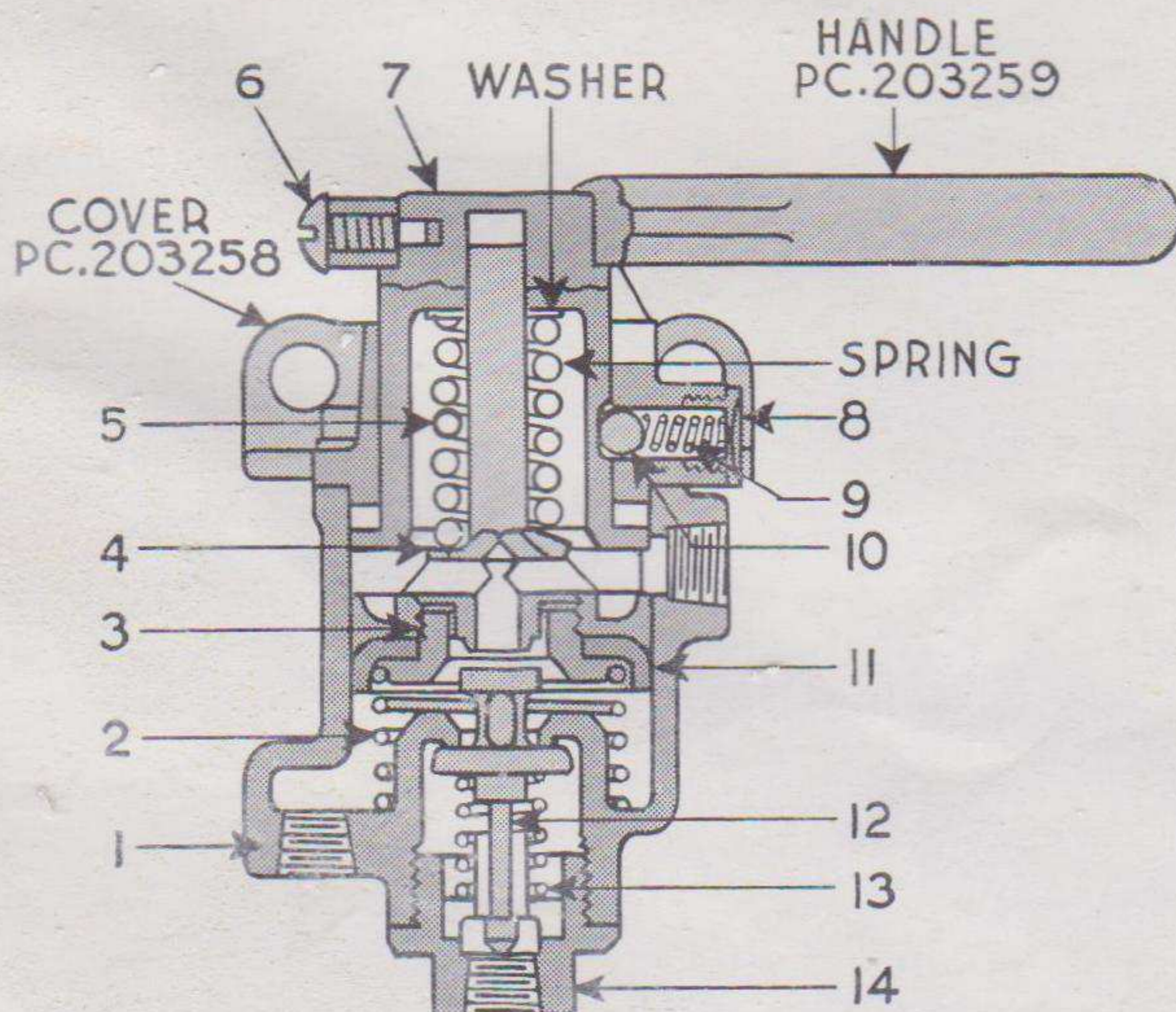
DIAMOND T MOTOR CAR COMPANY



1. End cover gasket	BB-29259	16. Unloader valve stop	BB-29274	29. Retainer key	BB-29283
2. Front end cover	BB-29260	17. Hex. nut	46429J	30. Lock nut	BB-29284
3. Oil retainer	BB-29261	18. Cyl. head gasket	BB-29275	31. Unloader lever	BB-29285
4. Crankshaft nut	BB-29262	19. Cyl. block gasket	BB-29276	32. Unloader lever spring	BB-29286
5. Cotter pin	DX-215	20. Lock washer	DX-252	33. Unloader lever pin	BB-29287
6. Woodruff key	BB-29263	21. Packing ring	BB-29277	34. Dust cover	BB-29288
7. Connecting rod	BB-29264	22. Pipe plug	DX-609	35. Diaphragm follower	BB-29289
8. Scraper ring	BB-29267	23. Oil seat gasket	BB-29278	36. Machine screw	BB-29290
9. Oil ring	BB-29268	24. Base gasket	BB-29279	37. Lock washer	DX-250
10. Lock wire	BB-29269	25. Ball bearing	BB-29280	38. Diaphragm box cover	BB-29291
11. Wrist pin	BB-29270	26. Disch. valve spring	BB-29281	39. Diaphragm	BB-29292
12. Compression ring	BB-29271	27. Disch. cap nut	BB-29282	40. Unloader valve stem	BB-29293
13. Piston	BB-29272	28. Unloader valve spring	19094F	41. Discharge valve	19085F
14. Adjusting screw	BB-29273				

Code	Mfr. No.	Description	Order by this Number	Quantity Required
220314		Air compressor cylinder head body	BB-29253	1
216555		Air compressor cylinder block	BB-29251	1
215693		Air compressor crank case	BB-29254	1
204911		Air compressor crankshaft	BB-29255	1
203740		Air compressor rear end cover	BB-29256	1
215476		Air compressor strainer	BB-29257	1
203566		Air compressor screw (1/4x3/8"-20)	BB-29258	2
203486		Air compressor front end cover gasket	BB-29259	1
203739		Air compressor front end cover	BB-29260	1
203745		Air compressor oil retainer	BB-29261	1
202926		Air compressor crankshaft nut	BB-29262	1
203156		Air compressor cotter pin (1/8x1 1/4")	DX-215	1
211345		Air compressor Woodruff key	BB-29263	1
216248		Air compressor connecting rod — complete	BB-29264	3
202988		Air compressor wrist pin bearing bushing	BB-29265	1

Code	Mfr. No.	Description	Order by this Number	Quantity Required
212171		Air compressor scraper ring	BB-29267	3
202893		Air compressor connecting rod bolt	BB-29266	2
212170		Air compressor oil ring	BB-29268	3
202990		Air compressor lock wire	BB-29269	3
203553		Air compressor piston pin	BB-29270	3
212169		Air compressor compression ring	BB-29271	6
203552		Air compressor piston	BB-29272	3
202846		Air compressor adjusting screw	BB-29273	3
210506		Air compressor unloading valve stop	BB-29274	3
203145		Air compressor nut (5/16") S.A.E. hex.	46429J	2
203490		Air compressor cylinder head gasket	BB-29275	1
203475		Air compressor cylinder block gasket	BB-29276	1
203574		Air compressor L.W. (5/16")	DX-252	8
203028		Air compressor oil seal ring	BB-29277	1
203458		Air compressor pipe plug (1/8")	DX-609	1
203742		Air compressor oil seal gasket	BB-29278	1
203744		Air compressor flange gasket	BB-29279	1
ND-1307X		Air compressor ball bearing	BB-29280	2
210468		Air compressor discharge valve spring	BB-29281	3
210469		Air compressor discharge valve cap nut	BB-29282	3
203112		Air compressor unloading valve spring	19094F	3
210505		Air compressor spring retaining ring	BB-29283	3
202961		Air compressor adjusting screw nut	BB-29284	3
215486		Air compressor lever — complete	BB-29285	1
203113		Air compressor lever spring	BB-29286	1
203513		Air compressor lever pin	BB-29287	1
203021		Air compressor connecting rod bolt nut (5/16")	DX-586C	2
203106		Air compressor diaphragm dust guard	BB-29288	1
220307		Air compressor diaphragm follower	BB-29289	1
203576		Air compressor machine screw (1/4x3/4"-20)	BB-29290	6
203567		Air compressor machine screw L.W. (1/4")	DX-250	6
203512		Air compressor diaphragm box cover	BB-29291	1
203109		Air compressor diaphragm	BB-29292	2
210467		Air compressor unloading valve	BB-29293	3
203102		Air compressor discharge valve	19085F	3
203238		Air compressor packing ring	BB-29294	2
		Compressor bolt	N-16251F	6
		Compressor bolt lockwasher	N-7460AB	6
		Compressor bolt plain washer	N-6460F	6
215748		Hand control valve	BB-9158	1

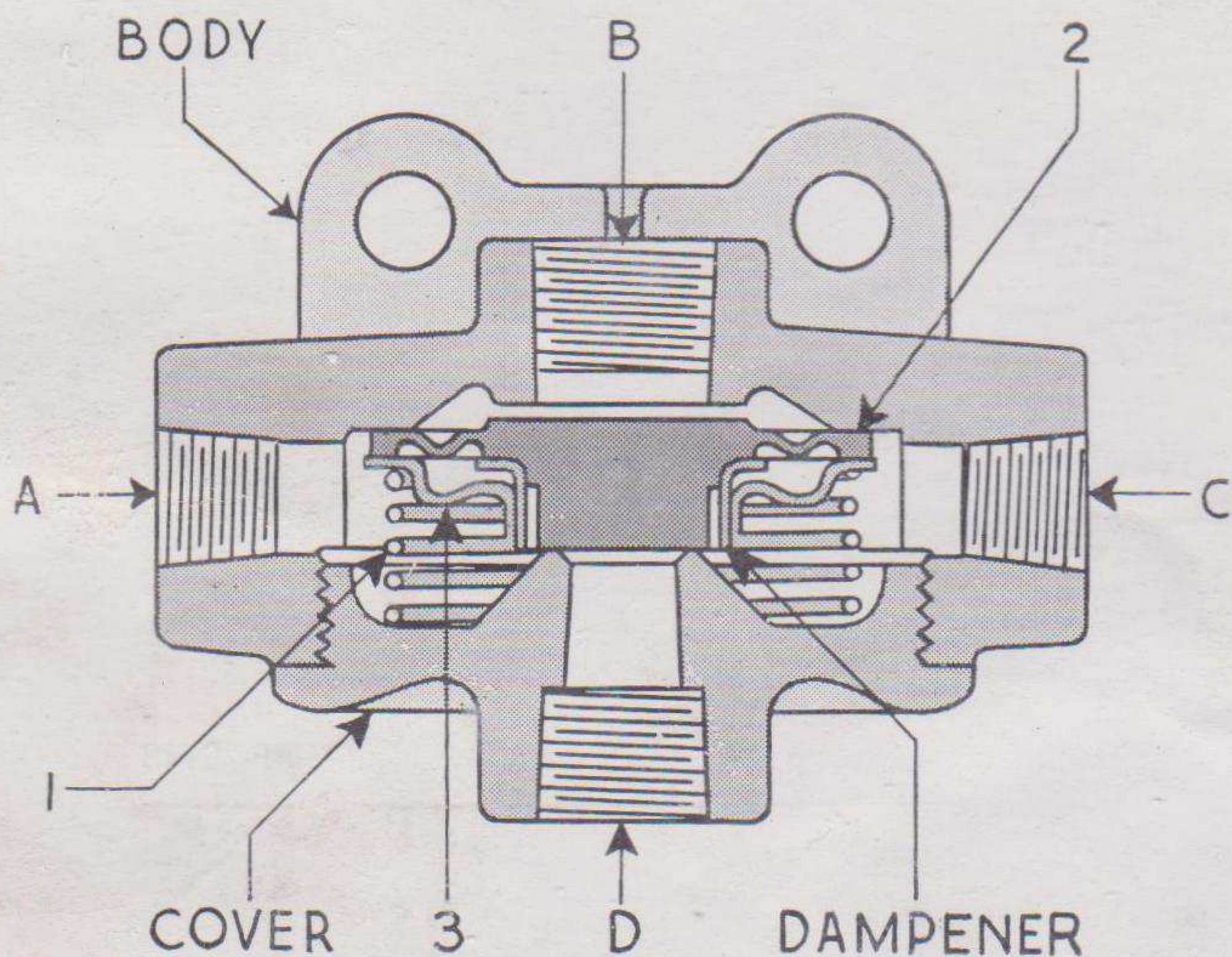


1. Body	BB-29107
2. Spring	BB-29108
3. Piston nut	BB-29109
4. Shim washer	BB-29110
5. Piston assembly	BB-29111
6. Machine screw	BB-29112
7. Spring cage	BB-29113
8. Check valve plug	BB-29114
9. Spring	BB-29115
10. Steel ball (5/16")	Z-05
11. Piston cup	BB-29116
12. Inlet and Exhaust valve	BB-29117
13. Spring	BB-29118
14. Cap nut	BB-29119

DIAMOND T MOTOR CAR COMPANY

1205
BRAKES

Code	Mfr. No.	Description	Order by this Number	Quantity Required
203317		Hand control valve cover	BB-29100	1
203454		Hand control valve clamp	BB-29101	1
203879		Hand control valve screw hexagon head — (24 — 3/8").....	BB-29102	2
203259		Hand control valve handle	BB-29103	1
203569		Hand control valve nut (24 — 3/8")	BB-29104	2
203269		Hand control valve graduating spring	BB-29105	1
203268		Hand control valve washer	BB-29106	1
203252		Hand control valve body	BB-29107	1
203253		Hand control valve piston return spring	BB-29108	1
203256		Hand control valve piston return spring nut	BB-29109	1
203764		Hand control valve piston shim washer	BB-29110	as req.
215305		Hand control valve piston assembly	BB-29111	1
203260		Hand control valve set screw	BB-29112	1
203257		Hand control valve spring cage	BB-29113	1
203345		Hand control valve check valve plug	BB-29114	1
204185		Hand control valve spring	BB-29115	1
201327		Hand control valve ball (5/16")	Z-05	1
203525		Hand control valve piston cup	BB-29116	1
215306		Hand control valve inlet and exhaust valve assembly	BB-29117	1
203265		Hand control valve inlet valve spring	BB-29118	1
203266		Hand control valve cap nut	BB-29119	1
203568		Hand control valve L.W.	DX-254	2
202979		Hand control valve cap screw (5/16" — 18)	BB-29194	4
202982		Hand control valve cap screw L.W. (5/16").....	DX-252	4
217698		Double check valve — at frame	BB-9159	1
217697		Double check valve body complete	BB-29120	1
212209		Double check valve body bushing	BB-29121	1
212205		Double check valve slide valve	BB-29122	1
210354		Double check valve gasket	BB-29123	2
212206		Double check valve cap	BB-29124	2
212207		Double check valve cap screw — (1/4"x3 1/8"-28)	DX-586SS	2
203567		Double check valve cap screw L.W. 1/4"	DX-250	2
203147		Double check valve nut (1/4"—SAE hexagon head)	DX-599	2
		Double check valve bolt	N-42251D	1
		Double check valve bolt nut	N-12311L	1
		Double check valve bolt lockwasher	N-7460AE	1
205000		Quick release valve	DX-3082	1
204847		Quick release valve body	BB-29151	1
211028		Quick release valve cover	BB-29152	1

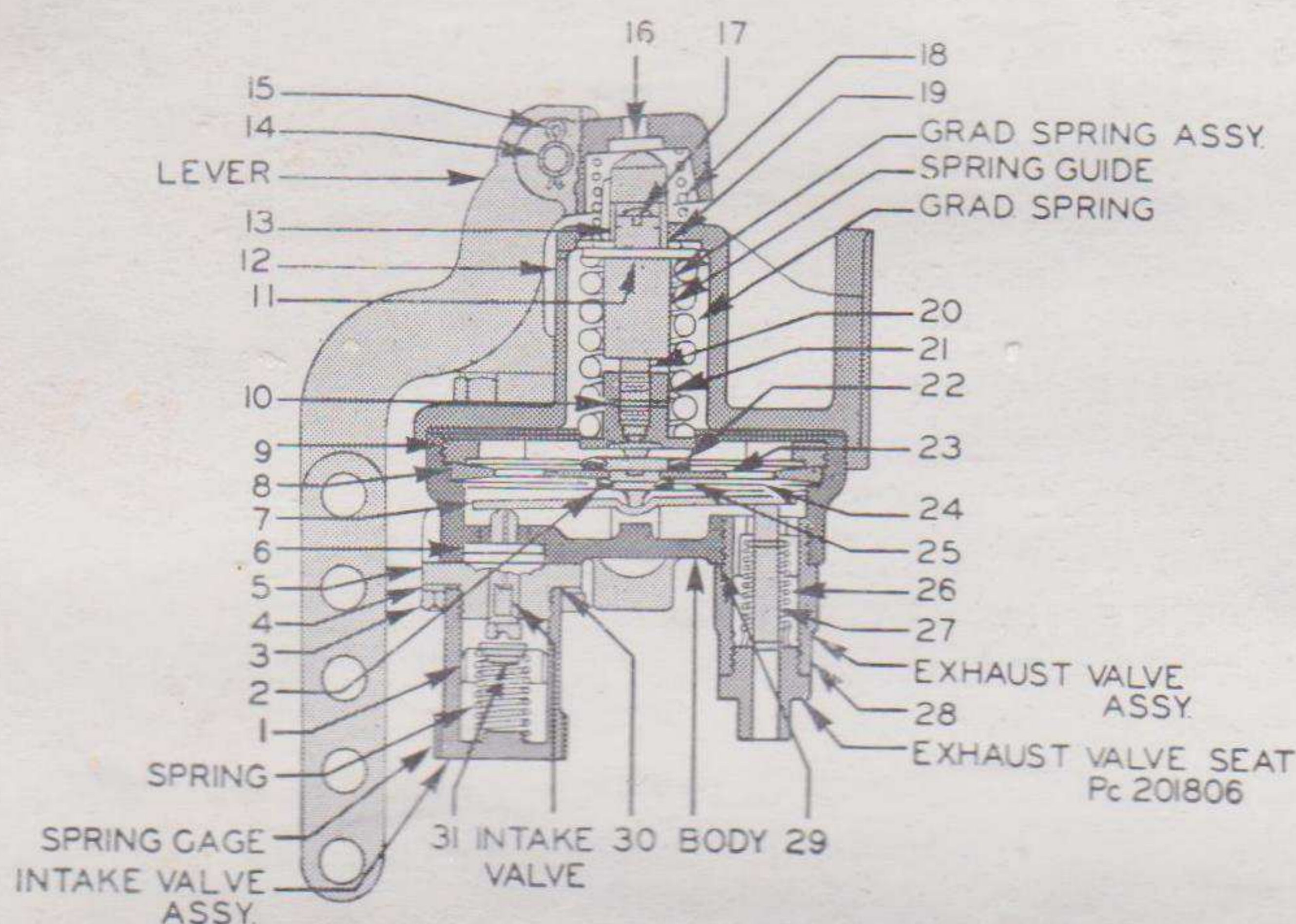


1. Spring	BB-29155
2. Diaphragm	BB-29154
3. Spring seat	BB-29156

1205 BRAKES

980 — 6 x 4 — PARTS LIST

Code	Mfr. No.	Description	Order by this Number	Quantity Required
	203328	Quick release valve dampener	BB-29153	1
	202588	Quick release valve spring	BB-29155	1
	211379	Quick release valve diaphragm	BB-29154	1
	202587	Quick release valve spring seat	BB-29156	1
		Quick release valve bolt (5/16x1"-24)	N-42251D	2
		Quick release valve bolt nut (5/16"-24)	N-12311L	2
		Quick release valve bolt lockwasher (5/16")	N-7460AE	2
216445		Brake valve	BB-9100	1



1. Dampener	BB-9108	11. Shims — .0031"	BB-9138	22. Pivot nut	BB-9129
2. Pivot	BB-9130	12. Cover	BB-9120	23. Washer	BB-9131
3. Hex. nut	DX-599E	13. Castle nut	BB-9121	24. Diaphragm assembly	19141C
4. Lock washer	DX-250	14. Pin	BB-9122	25. Diaphragm	BB-9132
5. Intake valve seat	BB-9103	15. Cotter pin	DX-212	26. Spring	BB-9133
6. Gasket	BB-9116	16. Button	BB-9123	27. Exhaust valve	BB-9134
7. Rocker arm	BB-9117	17. Pin	BB-9124	28. Spring cage	BB-9135
8. Diaphragm ring	BB-9118	18. Return spring	BB-9125	29. Shim	BB-9136
9. Diaphragm ring nut	BB-9119	19. Plunger	BB-9126	30. Shim	BB-9107
10. Pin	BB-9124	20. Stem	BB-9127	31. Spring seat	BB-9106
11. Shims — .010"	BB-9137	21. Spring seat	BB-9128		

216036	Brake valve intake valve assembly	BB-9101	1
203701	Brake valve spring cage	BB-9105	1
202666	Brake valve intake valve spring	BB-9104	1
204592	Brake valve intake valve	BB-9102	1
216663	Brake valve lever	BB-19109	1
216147	Brake valve graduating spring assembly	BB-9110	1
204719	Brake valve graduating spring	BB-9111	1
204728	Brake valve spring guide	BB-9112	1
216144	Brake valve exhaust valve assembly	BB-9114	1
201806	Brake valve exhaust valve seat	BB-9113	1
204826	Brake valve body	BB-9115	1
203433	Brake valve dampener	BB-9108	1
201151	Brake valve pivot	BB-9130	1
203002	Brake valve nut (1/4")	DX-599E	4
202981	Brake valve nut L.W. (1/4")	DX-250	4
201546	Brake valve intake valve seat	BB-9103	1
200574	Brake valve gasket	BB-9116	1
200569	Brake valve rocker arm	BB-9117	1
200566	Brake valve diaphragm ring	BB-9118	1
200568	Brake valve diaphragm ring nut	BB-9119	1
204150	Brake valve pin (1/16")	BB-9124	1

DIAMOND T MOTOR CAR COMPANY

Code	Mfr. No.	Description	Order by this Number	Quantity Required
		Brake valve shim .010"	BB-9137	as req.
		Brake valve shim (.0031")	BB-9138	as req.
204531		Brake valve cover	BB-9120	1
204535		Brake valve preloading nut	BB-9121	1
203548		Brake valve preloading valve pin	BB-9122	1
203602		Brake valve preloading valve cotter pin (3/32x3/4")	DX-212	2
203978		Brake valve lever button	BB-9123	1
204150		Brake valve graduating spring pin (1/16")	BB-9124	1
200572		Brake valve return spring	BB-9125	1
204532		Brake valve plunger	BB-9126	1
204536		Brake valve preloading stem	BB-9127	1
204537		Brake valve spring seat	BB-9128	1
201154		Brake valve pivot nut	BB-9129	1
201153		Brake valve pivot nut washer	BB-9131	1
205326		Brake valve diaphragm — complete	19141C	1
201152		Brake valve diaphragm	BB-9132	1
202667		Brake valve exhaust valve spring	BB-9133	1
201807		Brake valve exhaust valve	BB-9134	1
204722		Brake valve spring cage	BB-9135	1
204731		Brake valve shim (.010")	BB-9136	as req.
201596		Brake valve shim washer	BB-9107	as req.
201548		Brake valve intake valve spring seat	BB-9106	1
203003		Brake valve hex. nut — (5/16")	DX-581	4
202982		Brake valve L.W. (5/16")	DX-252	4
203601		Brake valve cap screw — (5/16x1 5/8")	DX-580	4
		Brake valve grease fitting	N-2568E	1
		Brake valve bracket	N-1373	1
		Brake valve bracket bolt	N-40251E	2
		Brake valve bracket bolt	N-40251D	1
		Brake valve bracket bolt nut	N-12311C	3
		Brake valve bracket bolt lockwasher	N-7460Z	3
		Brake valve bracket bolt	N-42251C	4
		Brake valve bracket bolt nut	N-12311L	4
		Brake valve bracket bolt lockwasher	N-7460AE	4

1206 — Brake Tube Clips, Brackets and Springs

	Hose coupling frame bracket — front — R.H.	N-2474	1
	Hose coupling frame bracket — front — L.H.	N-2474	1
	Hose coupling frame bracket bolt	N-45251C	4
	Hose coupling frame bracket bolt nut	N-12311J	4
	Hose coupling frame bracket bolt lockwasher	N-7460AD	4
	Hose coupling frame bracket — rear — R.H.	N-1474R	1
	Hose coupling frame bracket — rear — L.H.	N-1474R	1
	Hose coupling frame bracket bolt	N-45251C	4
	Hose coupling frame bracket bolt nut	N-12311J	4
	Hose coupling frame bracket bolt lockwasher	N-7460AD	4

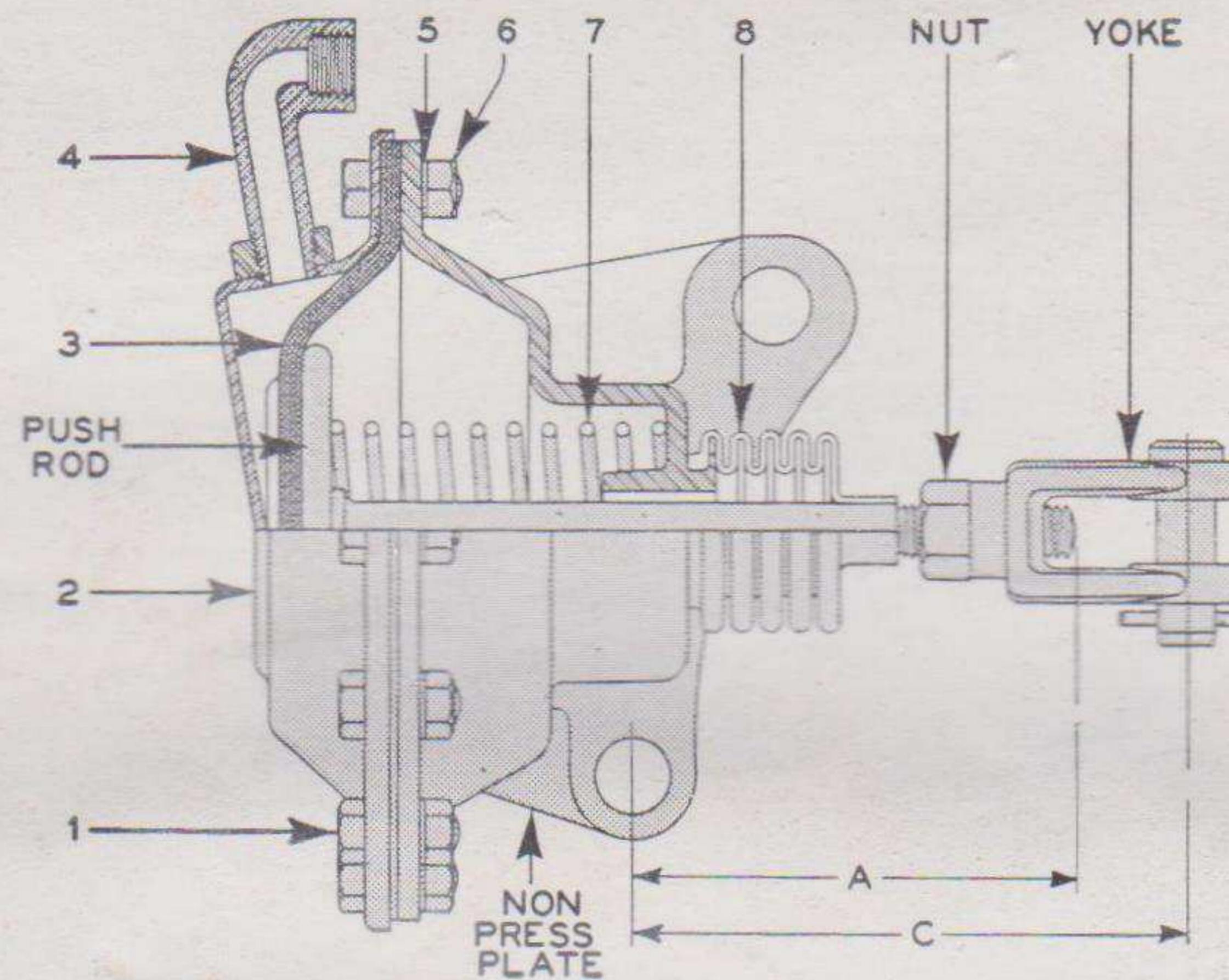
1207 — Brake Wheel Chamber

220410	Front brake chamber assembly — R.H.	BB-25170	1
220409	Front brake chamber assembly — L.H.	BB-25171	1
1244-M-65	Front brake chamber bracket spacer	BB-25144	2
15-X-114	Front brake chamber bracket bolt	BB-25145	4
13-X-26	Front brake chamber bracket bolt nut	15147C	4
X-533	Front brake chamber bracket bolt nut lockwasher	6703C	4
1229-V-360	Front brake chamber bracket bolt nut lock	BB-25146	2
204715	Front brake chamber non-pressure plate — R.H.	BB-25172	1
204714	Front brake chamber non-pressure plate — L.H.	BB-25173	1
215042	Front brake chamber push rod	BB-25176	2

1207 BRAKES

980 — 6 x 4 — PARTS LIST

Code	Mfr. No.	Description	Order by this Number	Quantity Required
	205948	Front brake chamber yoke assembly	46432C	2
	200054	Front brake chamber yoke pin	36434J	2
	203019	Front brake chamber yoke cotter (1/8x1")	DX-215	2
	203575	Front brake chamber yoke nut	36434C	2
	203148	Front brake chamber bolt	46428J	24
	214017	Front brake chamber pressure plate	BB-25174	2
	200014	Front brake chamber diaphragm	36426F	2
	202915	Front brake chamber street elbow	BB-25175	2
	201318	Front brake chamber lockwasher	36429J	24
	203145	Front brake chamber nut	46429J	24
	212330	Front brake chamber spring	5178J	2
	201687	Front brake chamber boot	46437F	2

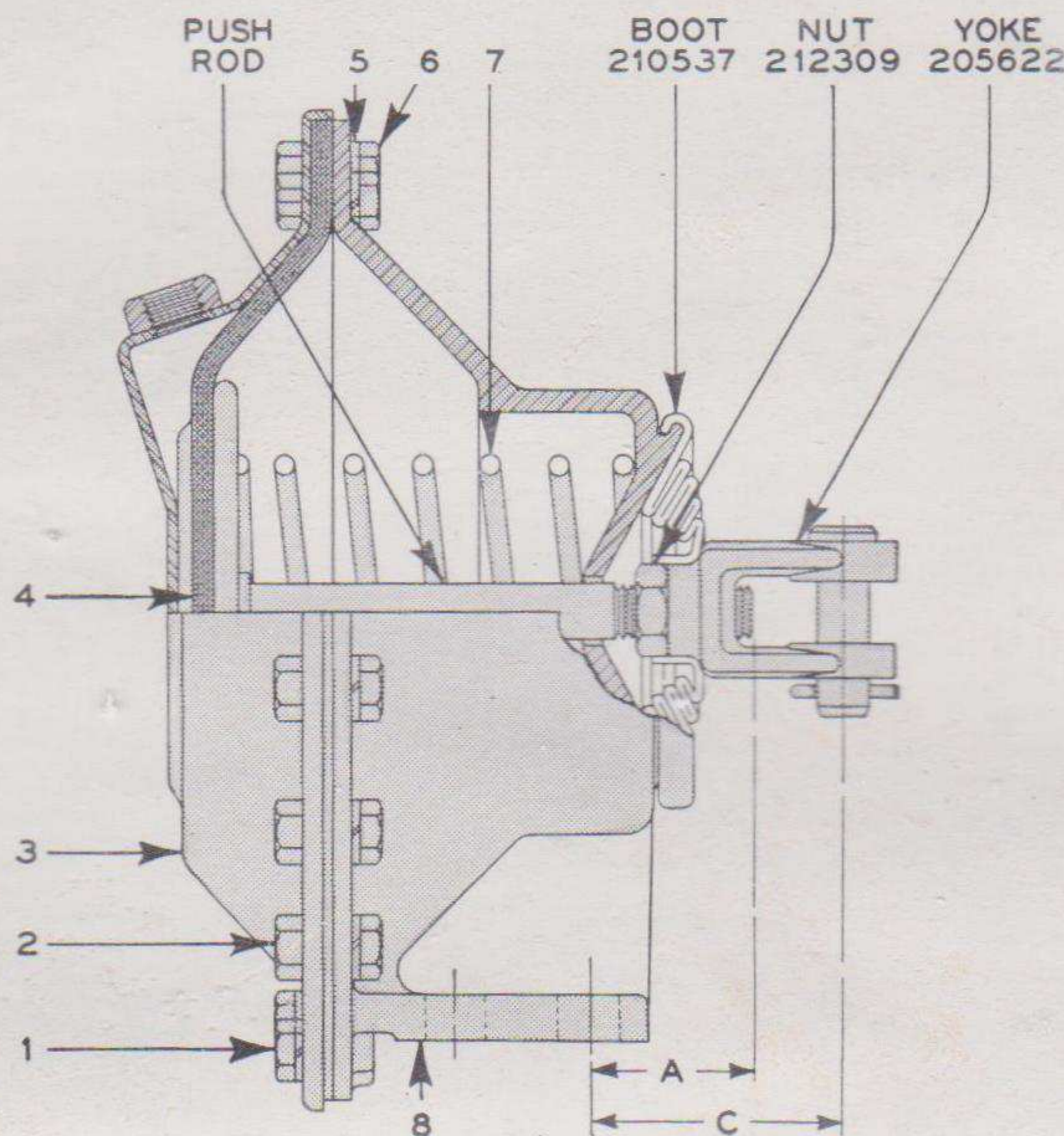


1. Hex. head bolt	46428J	5. Lock washer	36429J
2. Pressure plate	BB-5174	6. Hex. nut	46429J
3. Diaphragm	36426F	7. Spring	5178J
4. Street elbow	BB-5175	8. Boot	46437F

216624	Rear brake chamber assembly — R.H. forward and L.H. rear	BB-26022	2
216825	Rear brake chamber assembly — L.H. forward and R.H. rear	BB-26023	2
15-X-79	Rear brake chamber and bracket bolt	BB-26078	16
13-X-5	Rear brake chamber and bracket bolt nut	DX-1091	16
X-531	Rear brake chamber and bracket bolt nut washer	DX-259	16
A-3280-T-1268	Rear brake chamber equalizer	BB-26080	2
1225-T-228	Rear brake chamber equalizer bushing	BB-26081	4
2-Y-60	Rear brake chamber equalizer bolt	BB-26082	4
26-X-50	Rear brake chamber equalizer bolt set screw	BB-26083	4
1229-B-782	Rear brake chamber equalizer washer	BB-26084	4
1229-C-783	Rear brake chamber equalizer washer	BB-26085	4
216614	Rear brake chamber push rod assembly	46430C	2
205622	Rear brake chamber yoke assembly	36432C	2
200054	Rear brake chamber yoke pin	36434J	2
203019	Rear brake chamber yoke cotter (1/8x1")	DX-215	2
212309	Rear brake chamber yoke nut	BB-26024	2
210537	Rear brake chamber boot	36431C	2
202880	Rear brake chamber air pressure plate	46427J	2
200001	Rear brake chamber diaphragm	36426J	2
210372	Rear brake chamber spring	36435C	2
210529	Rear brake chamber non-pressure plate	36425C	2
202979	Rear brake chamber bolt (5/16x3/4"-18)	36429C	6

DIAMOND T MOTOR CAR COMPANY

Code	Mfr. No.	Description	Order by this Number	Quantity Required
203148		Rear brake chamber bolt (5/16x7/8")	46428J	30
203145		Rear brake chamber bolt nut	46429J	30
201318		Rear brake chamber bolt lockwasher	36429J	36



1. Hex. head bolt	36429C	5. Lock washer	36429J
2. Hex. head bolt	46428J	6. Hex. nut	46429J
3. Pressure plate	46427J	7. Spring	36435C
4. Diaphragm	36426J	8. Non-pressure plate	36425C

1208 — Brake Dust Shield

A-3236-B-704	Front axle dust shield — R.H.	BB-25150	1
A-3236-A-703	Front axle dust shield — L.H.	BB-25151	1
X-1801	Front axle dust shield and anchor bracket rivet	BB-25152	8
3280-A-391	Front axle dust shield oil slinger	BB-25158	2
2208-X-102	Front axle dust shield oil slinger gasket	BB-25159	2
X-702	Front axle dust shield oil slinger bolt	DX-105	16
X-340	Front axle dust shield oil slinger bolt nut	DX-176	16
X-528	Front axle dust shield oil slinger bolt lockwasher	DX-253	16
3236-A-443	Rear axle dust shield	BB-26031	8
X-725	Rear axle dust shield cap screw	DX-110	24
X-529	Rear axle dust shield cap screw washer	DX-254	24

1209 — Brake Lines, Pipes, Hoses

	Air reservoir tank street ell — top port	DX-533J	1
	Air reservoir tank street ell — nipple	DX-533P	1
	Air reservoir tank street ell nipple tee	DX-4136	1
	Air reservoir tank to compressor line — front port	3/4"x88"	1
	Air reservoir tank to compressor line — loom	3/4"x86"	1
215762	Air reservoir tank to compressor line fitting	BB-9164	1
	Air reservoir tank to R.H. reservoir tank line	3/4"x38"	1
216520	Air reservoir tank to R.H. reservoir tank line fitting	BB-29127	2
	Air reservoir tank to relay valve line	1/2"x105"	1
	Air reservoir tank to relay valve line loom	1/2"x103"	1
217689	Air reservoir tank to relay valve line fitting	BB-29125	1
217525	Air reservoir tank to relay valve line fitting	BB-9165	1
	Air reservoir tank to relay valve clip	DT-4143AZ	2

1209 BRAKES

980 — 6 x 4 — PARTS LIST

Code	Mfr. No.	Description	Order by this Number	Quantity Required
		Air reservoir tank to brake valve line	1/2"x26"	1
		Air reservoir tank to brake valve line loom	1/2"x24"	1
217061		Air reservoir tank to brake valve line fitting	BB-29126	1
217525		Air reservoir tank to brake valve line fitting	BB-9165	1
		Air reservoir tank to manifold line	1/2"x86 1/2"	1
		Air reservoir tank to manifold line loom	1/2"x84 1/2"	1
217525		Air reservoir tank to manifold line fitting	BB-9165	2
		Air reservoir tank to L.H. front coupling line	3/8"x141 1/2"	1
		Air reservoir tank to L.H. front coupling line loom	3/8"x139 1/2"	1
205829		Air reservoir tank to L.H. front coupling line fitting	BB-9166	1
205053		Air reservoir tank to L.H. front coupling line fitting	DX-3072	1
202639		Air reservoir tank to L.H. front coupling clip	BB-29128	2
		Air reservoir tank to L.H. front coupling clip bolt	N-60251LL	1
		Air reservoir tank to L.H. front coupling clip bolt nut	N-16311G	1
		Air reservoir tank to L.H. front coupling clip bolt L.W.	N-7460K	1
		Manifold nipple — to low pressure gauge	DX-533TT	1
		Manifold nipple elbow to gauge line tee	DX-533AC	1
		Manifold nipple to gauge line tee	DX-533AH	1
		Manifold nipple elbow nipple	DX-533TT	1
		Manifold nipple elbow nipple tee	DX-533AD	1
		Manifold nipple elbow nipple tee bushing	DX-540A	1
		Manifold nipple to gauge line (1/4"x22")	DX-2709	1
		Manifold to gauge line loom (1/4"x20")	DX-2725	1
		Manifold nipple to gauge line nut	DX-3590AK	1
		Manifold to gauge line connector	DX-3590AJ	1
		Manifold to gauge line nut	DX-3590BF	1
		Manifold to gauge line sleeve	DX-3590BG	1
		Air supply valve nipple — to manifold	DX-533AB	1
		Air supply valve line — to governor	3/8"x8"	1
205102		Air supply valve line to governor elbow	DX-3089D	1
205053		Air supply valve line to governor fitting	DX3072	1
		Governor to compressor line	3/8"x132"	1
		Governor to compressor line loom	3/8"x130"	1
205053		Governor to compressor line fitting	DX-3072	1
		Governor to compressor line clip	DT-4143AZ	1
216740		Air compressor discharge fitting	BB-29131	1
204820		Air compressor discharge fitting gasket	BB-9170	1
		Air compressor line clip	DT-4143AV	1
202639		Air compressor governor line clip	BB-29128	1
		Air compressor governor line clip bolt (1/4"x1"-20).....	N-60251NN	1
		Air compressor governor line clip bolt nut (1/4"-20)	N-16311D	1
		Air compressor governor line clip bolt lockwasher (1/4")....	N-7460AC	1
		Brake valve to double check valve line	3/8"x16"	1
		Brake valve to double check valve line loom	3/8"x14"	1
205829		Brake valve to double check valve line fitting	BB-9166	2
		Hand control valve exhaust line	3/8"x50"	1
		Hand control valve exhaust line loom	3/8"x48"	1
205102		Hand control valve exhaust line fitting	DX-3089D	1
		Hand control valve exhaust line clip	DX-4801C	1
		Hand control valve to manifold line	3/8"x34"	1
		Hand control valve to manifold line loom	3/8"x32"	1
205053		Hand control valve to manifold line fitting	DX-3072	1
205102		Hand control valve to manifold line fitting	DX-3089D	1
		Hand control valve to double check valve line	3/8"x151"	1
		Hand control valve to double check valve line loom	3/8"x149"	1
205824		Hand control valve to double check valve line fitting	BB-9171	1
205053		Hand control valve to double check valve line fitting	DX-3072	1

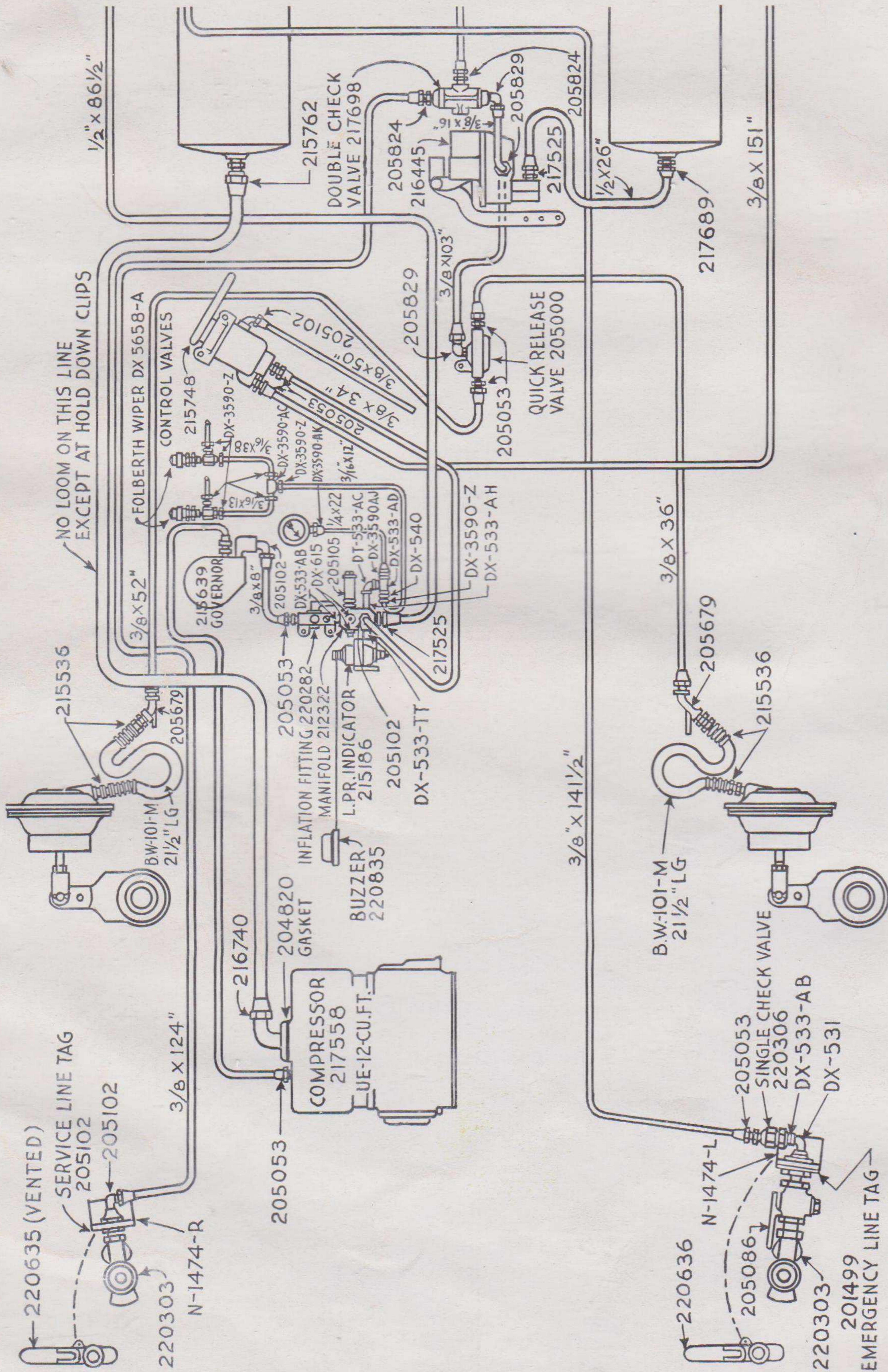
DIAMOND T MOTOR CAR COMPANY

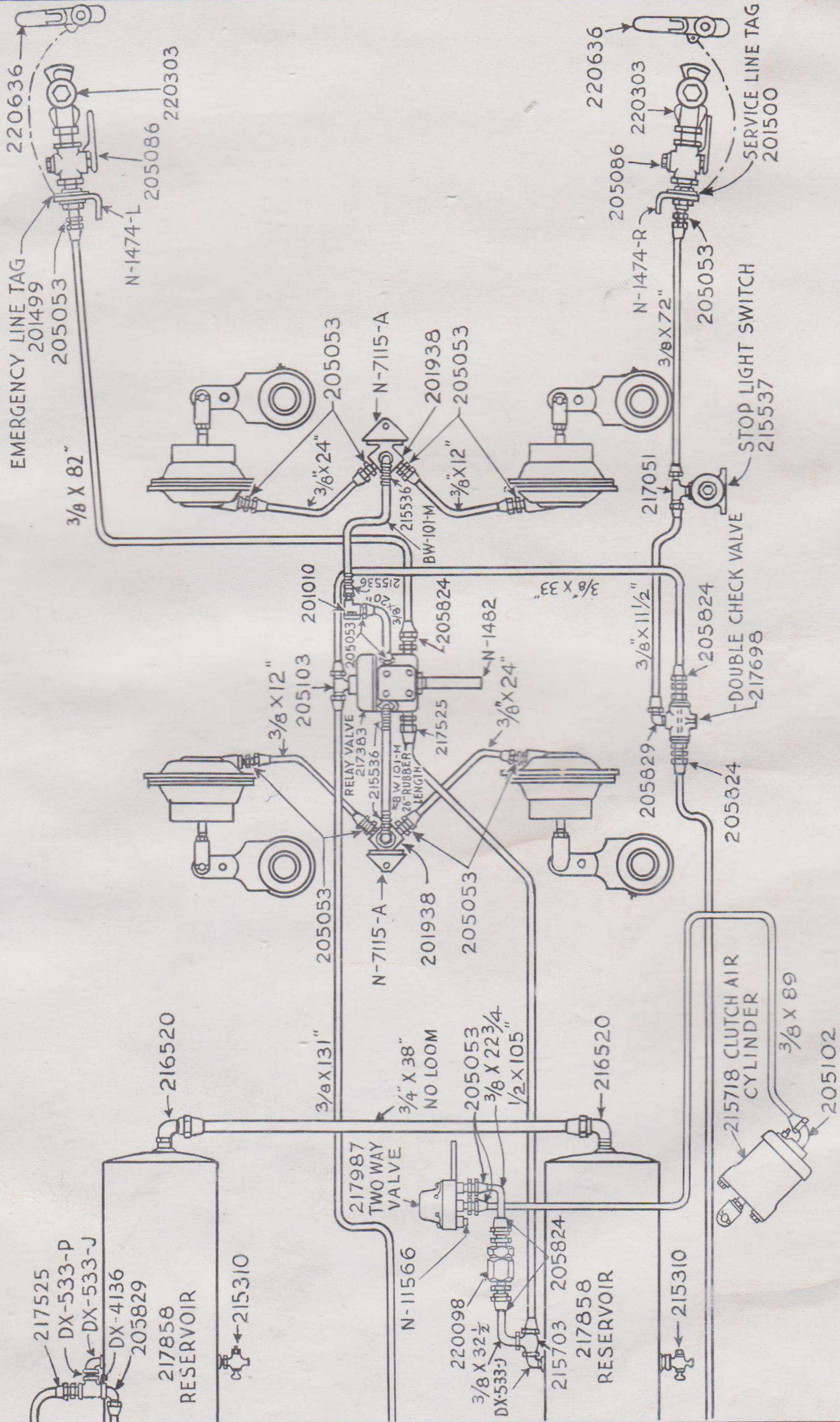
1209
BRAKES

Code	Part No.	Description	Order by this Number	Quantity Required
	202639	Hand control valve to double check valve line clip	BB-29128	2
		Double check valve to stop light switch line	3/8"x11 1/2"	1
		Double check valve to stop light switch line loom	3/8"x9 1/2"	1
	205829	Double check valve to stop light switch line fitting	BB-9166	1
	217051	Double check valve to stop light switch line fitting	BB-9172	1
		Stop light switch to L.H. rear coupling line	3/8"x72"	1
		Stop light switch to L.H. rear coupling line loom	3/8"x70"	1
	205053	Stop light switch to L.H. rear coupling line fitting	DX-3072	1
		Double check valve to relay valve line	3/8"x38"	1
		Double check valve to relay valve line loom	3/8"x36"	1
	205824	Double check valve to relay valve line fitting	BB-9171	1
	205103	Double check valve to relay valve line fitting	BB-9173	1
		Double check valve to R.H. front coupling line	3/8"x124"	1
		Double check valve to R.H. front coupling line loom	3/8"x122"	1
	205824	Double check valve to R.H. front coupling line fitting	BB-9171	1
	205102	Double check valve to R.H. front coupling line fitting	DX-3089D	1
	202639	Double check valve to R.H. front coupling line clip	BB-29128	3
		Double check valve to R.H. front coupling line clip bolt	N-60251LL	2
		Double check valve to R.H. front coupling line clip bolt nut	N-16311G	2
		Double check valve to R.H. coupling line clip bolt nut L.W.	N-7460K	2
		Double check valve to relay valve line	3/8"x131"	1
		Double check valve to relay valve line loom	3/8"x129"	1
	205824	Double check valve to relay valve line fitting	BB-9171	1
	202639	Double check valve to relay valve line clip	BB-29128	3
		Brake valve to quick release valve line	3/8"x103"	1
		Brake valve to quick release valve line loom	3/8"x101"	1
	205829	Brake valve to quick release valve line fitting	BB-9166	2
	202639	Brake valve to quick release valve line clip	BB-29128	1
		Quick release valve elbow	DX-533J	1
		Quick release valve to R.H. front chamber line	3/8"x52"	1
		Quick release valve to R.H. front chamber line loom	3/8"x50"	1
	205053	Quick release valve to R.H. front chamber line fitting	DX-3072	1
	202639	Quick release valve to R.H. front chamber line clip	BB-29128	2
		Quick release valve to R.H. front chamber line clip bolt	N-60251LL	1
		Quick release valve to R.H. front chamber line clip bolt nut	N-16311G	1
		Quick release valve to R.H. front chamber line clip bolt L.W.	N-7460K	1
		Quick release valve to L.H. front chamber line	3/8"x36"	1
		Quick release valve to L.H. front chamber line loom	3/8"x34"	1
	205053	Quick release valve to L.H. front chamber line fitting	DX-3072	1
	202639	Quick release valve to L.H. front chamber line clip	BB-29128	1
		Quick release valve to L.H. front chamber line clip bolt	N-60251LL	1
		Quick release valve to L.H. front chamber line clip bolt nut	N-16311G	1
		Quick release valve to L.H. front chamber line clip bolt L.W.	N-7460K	1
		Relay valve exhaust nipple	N-1482A	1
		Relay valve to R.H. rear coupling line	3/8"x82"	1
		Relay valve to R.H. rear coupling line loom	3/8"x80"	1
	205824	Relay valve to R.H. rear coupling line fitting	BB-9171	1
	205053	Relay valve to R.H. rear coupling line fitting	DX-3072	1
	202639	Relay valve to R.H. rear coupling line clip	BB-29128	1
		Relay valve to R.H. rear coupling line clip bolt	N-60251LL	1
		Relay valve to R.H. rear coupling line clip bolt nut	N-16311G	1

1209 BRAKES

980 — 6 x 4 — PARTS LIST





Layout, Air Equipment
Rear of Chassis →

**1209
1212
BRAKES**

980 — 6 x 4 — PARTS LIST

Code	Mfr. No.	Description	Order by this Number	Quantity Required
		Relay valve to R.H. rear coupling line clip bolt L.W.	N-7460K	1
		Relay valve to rear rear axle line	3/8"x20"	1
		Relay valve to rear rear axle line loom	3/18"x18"	1
205053		Relay valve to rear rear axle line fitting	DX-3072	2
201010		Relay valve to rear rear axle line fitting	BB-29133	1
		Relay valve to rear rear axle line fitting bolt	N-48251J	2
		Relay valve to rear rear axle line fitting bolt nut	N-12311A	2
		Relay valve to rear rear axle line fitting bolt L.W.	N-7460AC	2
BW-101-M		Relay valve to rear rear axle tee hose (26")	BB-29132	1
215536		Relay valve to rear rear axle tee hose connection	BB-9174	2
BW-101-M		Relay valve to front rear axle tee hose (26")	BB-29132	1
215536		Relay valve to front rear axle tee hose connection	BB-9174	2
201938		Rear axle tee	DX-3089L	2
		Rear axle tee bolt	N-47251D	4
		Rear axle tee bolt nut	N-12311B	4
		Rear axle tee bolt L.W.	N-7460AB	4
		Rear axle tee bracket	N-7115A	2
		Front rear axle tee to brake chamber line L.H.	3/8"x24"	1
		Front rear axle tee to brake chamber line loom L.H.	3/8"x22"	1
		Front rear axle tee to brake chamber line R.H.	3/8"x12"	1
		Front rear axle tee to brake chamber line loom R.H.	3/8"x10"	1
205053		Front rear axle tee to brake chamber line fitting	DX-3072	4
		Rear rear axle tee to brake chamber line R.H.	3/8"x24"	1
		Rear rear axle tee to brake chamber line loom R.H.	3/8"x22"	1
		Rear rear axle tee to brake chamber line L.H.	3/8"x12"	1
		Rear rear axle tee to brake chamber line loom L.H.	3/8"x10"	1
205053		Rear rear axle tee to brake chamber line fitting	DX-3072	4
205679		Front axle hose and tube connector	BB-9175	2
		Front axle hose and tube connector bolt	N-48251B	2
		Front axle hose and tube connector bolt nut	N-12311A	2
		Front axle hose and tube connector bolt nut L.W.	N-7460AC	2
220303		Front R.H. coupling	BB-29134	1
205730		Front R.H. coupling clamping stud	19220M	1
220635		Front R.H. coupling dummy coupling	BB-29135	1
201500		Front R.H. coupling service tag	BB-9178	1
220303		Front L.H. coupling	BB-29134	1
205086		Front L.H. coupling cut-out cock	DX-3073	1
220636		Front L.H. coupling dummy coupling	BB-29136	1
201499		Front L.H. coupling emergency tag	BB-9180	1
220306		Front L.H. coupling single check valve	BB-9181	1
		Front L.H. coupling single check valve nipple	DX-533AB	1
		Front L.H. coupling single check valve tee	DX-531	1
220303		Rear R.H. coupling	BB-29134	1
205086		Rear R.H. coupling cut-out cock	DX-3073	1
220636		Rear R.H. coupling dummy coupling	BB-29136	1
201499		Rear R.H. coupling emergency tag	BB-9180	1
220303		Rear L.H. coupling	BB-29134	1
205086		Rear L.H. coupling cut-out cock	DX-3073	1
220636		Rear L.H. coupling dummy coupling	BB-29136	1
201500		Rear L.H. coupling service line tag	BB-9178	1
		Front axle chamber hose (3/8"x21 1/2")	BB-29137	2
215536		Front axle chamber hose connector	BB-9174	4

1212 — Brake Cross Shaft

	Pedal shaft bracket	N-19165	1
	Pedal shaft bracket clamp bolt (1/2x2 1/2"-20)	N-40251F	1
	Pedal shaft bracket clamp bolt nut (1/2"-20)	N-12311C	1

DIAMOND T MOTOR CAR COMPANY

Code	Mfr. No.	Description	Order by this Number	Quantity Required
		Pedal shaft bracket clamp bolt lockwasher (1/2")	N-7460Z	1
		Pedal shaft bracket to frame bolt (1/2x1 1/2"-20)	N-40251A	4
		Pedal shaft bracket to frame bolt nut (1/2"-20)	N-12311C	4
		Pedal shaft bracket to frame bolt lockwasher (1/2")	N-7460Z	4
		Pedal shaft assembly	N-13122	1
		Pedal shaft washer	DT-6026	1
		Pedal shaft grease fitting (90°)	N-2568F	1

13 — WHEELS, HUBS AND DRUMS

1301 — Wheel Assembly, Bearings, Retainers and Wrenches

45530	Front and rear wheel	BB-26275	10
21863-E-7	Front and rear wheel side ring (SR-54R-N.S.)	36982M	10
6379	Front wheel bearing cone — inner	15890M	2
537	Front wheel bearing cone — outer	15891M	2
6320	Front wheel bearing cup — inner	6043C	2
532-A	Front wheel bearing cup — outer	46632F	2
A-1227-C-107	Front wheel bearing adjusting nut	BB-25123	2
1227-D-108	Front wheel bearing adjusting jam nut	BB-25124	2
1229-J-478	Front wheel bearing adjusting jam nut lock	BB-25125	2
1229-H-476	Front wheel bearing adjusting jam nut lock ring	BB-25128	2
3256-L-12	Front wheel bearing adjusting jam nut wrench	DX-5941	1
A-3105-Q-69	Front wheel bearing oil seal assembly	BB-25126	2
A-1-3105-Q-69	Front wheel bearing oil seal retainer and dowel assy.	BB-25127	2
759	Rear wheel bearing cone — inner	16890J	4
749	Rear wheel bearing cone — outer	16887J	4
752	Rear wheel bearing cup — inner	16892J	4
742	Rear wheel bearing cup — outer	16888J	4
A-14-X-15	Rear wheel bearing nut — inner	16046F	4
14-X-14	Rear wheel bearing nut — outer	16047F	4
1229-V-48	Rear wheel bearing nut washer	16050F	4
3256-C-3	Rear wheel bearing nut wrench	6052M	1
5-X-171	Rear wheel bearing felt	36911J	4
3105-F-58	Rear wheel bearing felt retainer — inner	26918J	4
3105-L-12	Rear wheel bearing felt retainer — outer	16919J	4
X-1677	Rear wheel bearing felt retainer screw	Y-8145	8
B-45530	Spare wheel	BB-26275	1

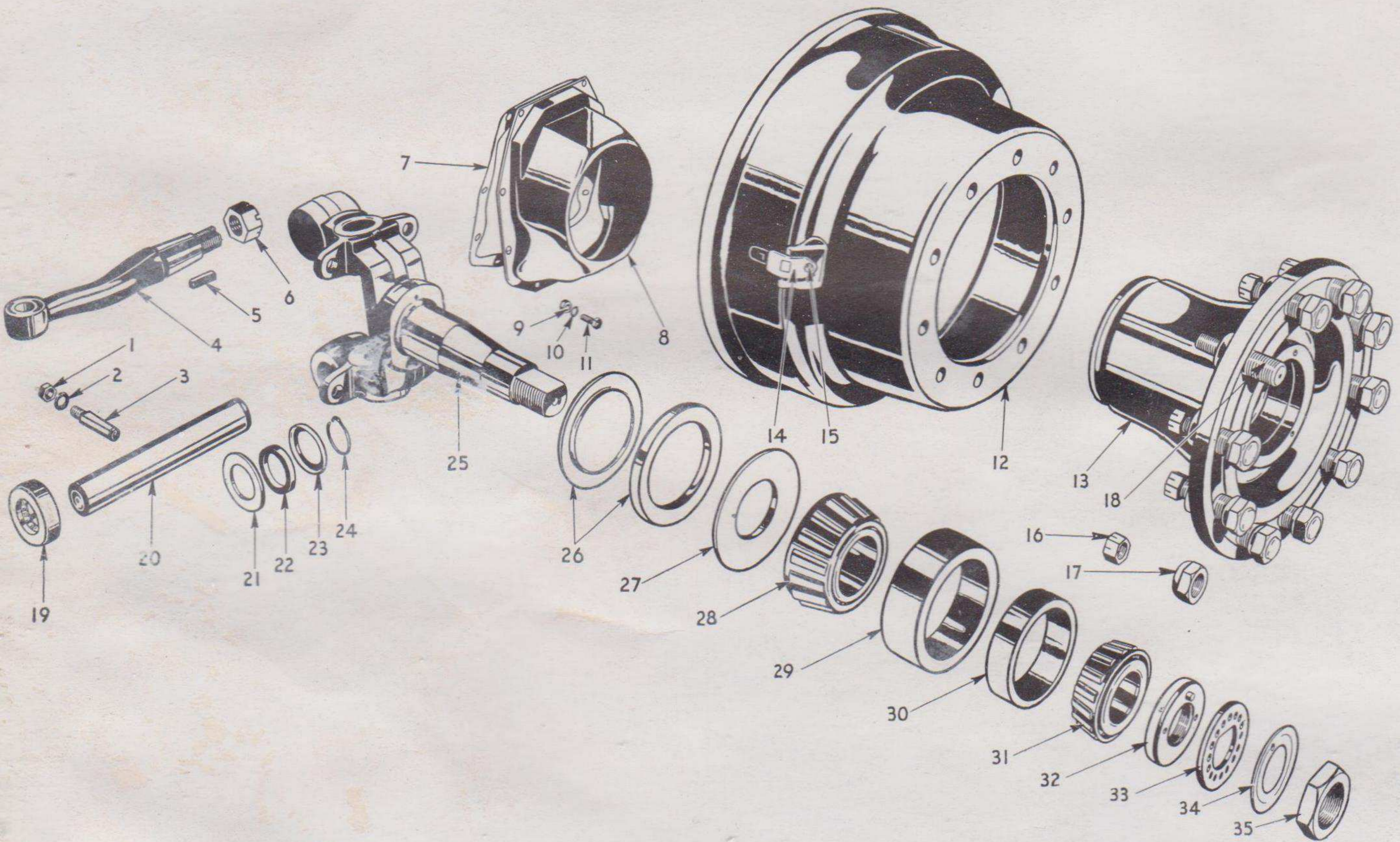
1302 — Hubs and Drums

44846D	Front wheel hub and drum assembly with cups — R.H.	BB-25180	1
44847D	Front wheel hub and drum assembly with cups — L.H.	BB-25181	1
45152-E-1	Front hub cap assembly	25028W	2
9669	Front hub cap gasket	25030W	2
3126-E-4	Front hub cap bolt	BB-25189	6
2922-E-6	Front hub cap L.W.	DX-250	6
4277E	Front hub cap	25029W	2
44845B	Front wheel hub	BB-25182	2
45631	Front wheel stud — R.H.	BB-25168	10
45632	Front wheel stud — L.H.	BB-25169	10
43811E	Front wheel stud cap nut — R.H.	BB-26285	10
43812E	Front wheel stud cap nut — L.H.	BB-26286	10
41073-E-7	Front wheel stud jam nut	6970W	20
44844D	Front wheel brake drum	BB-25187	2
43649E	Front wheel inspection hole cover	BB-26288	2
3126E11	Front wheel inspection hole cover screw	BB-26289	2
2922E6	Front wheel inspection hole cover screw lockwasher 1/4"	DX-250	2

1302 WHEELS

980 — 6 x 4 — PARTS LIST

Code	Mfr. No.	Description	Order by this Number	Quantity Required
44837D		Rear wheel hub and drum assembly with cups — R.H.	BB-26280	2
44838D		Rear wheel hub and drum assembly with cups — L.H.	BB-26281	2
44835B		Rear wheel hub	BB-26282	4
13990E		Rear wheel stud — R.H.	36968J	20
13991E		Rear wheel stud — L.H.	36969J	20
43808E		Rear wheel inner cap nut — R.H.	BB-26283	20
43809E		Rear wheel inner cap nut — L.H.	BB-26284	20
43811E		Rear wheel outer cap nut — R.H.	BB-26285	20
43812E		Rear wheel outer cap nut — L.H.	BB-26286	20
41073-E-7		Rear wheel jam nut	6970W	40

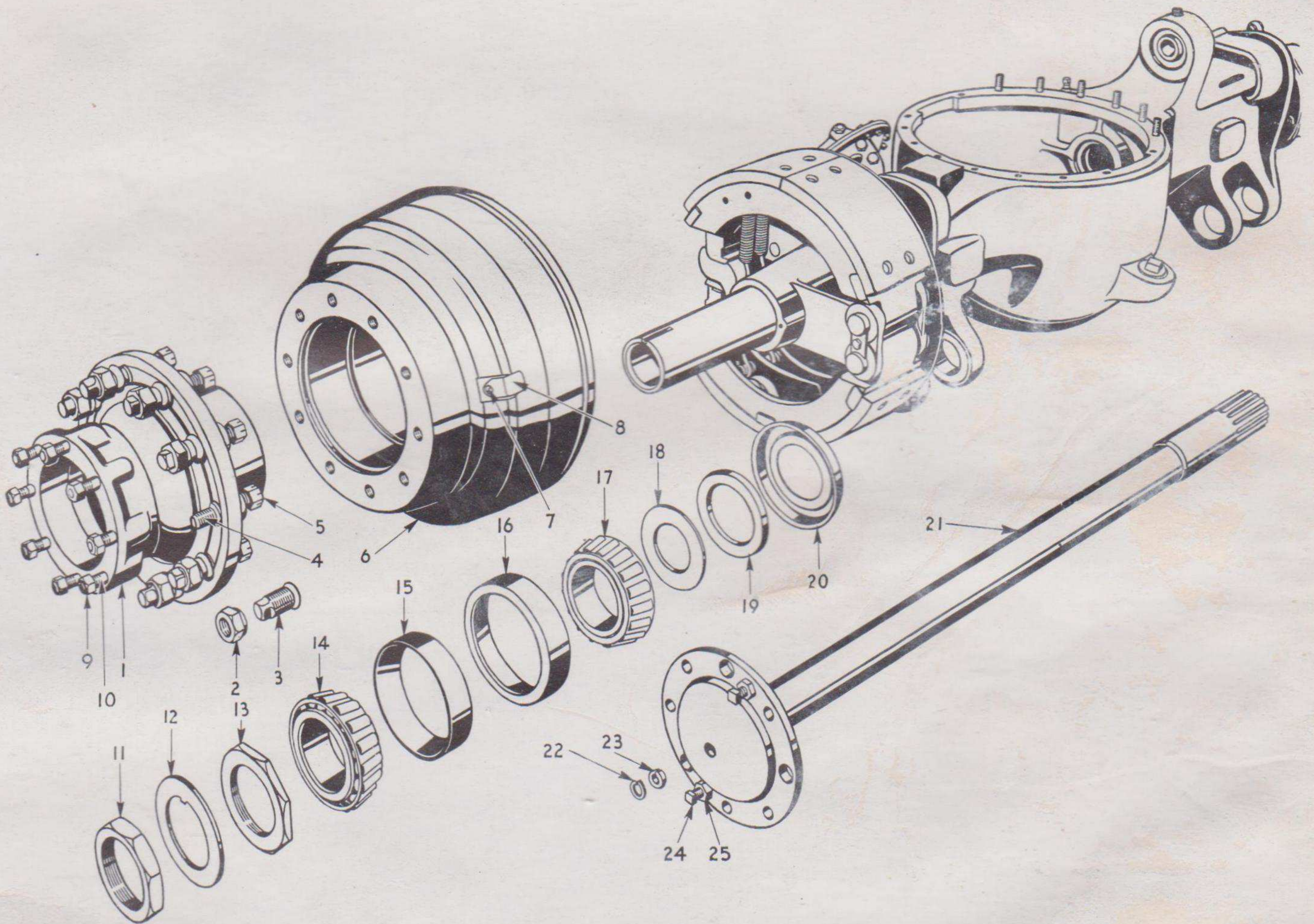


1. Knuckle pin draw key.....	DX-1091	19. Knuckle pin thrust bearing.....	BB-25120
2. Knuckle pin draw key nut lock washer.....	DX-259	20. Steering knuckle pin	BB-25113
3. Knuckle pin draw key.....	15109C	21. Knuckle pin shim	BB-25116
4. Steering cross tube arm	BB-25132	22. Knuckle pin felt	BB-25117
5. Cross tube arm key.....	35234F	23. Knuckle pin felt retainer.....	BB-25118
6. Cross tube arm nut	25134J	24. Knuckle pin felt retainer lock.....	BB-25119
7. Dust shield oil slinger gasket.....	BB-25159	25. Steering knuckle — right hand	BB-25110
8. Dust shield oil slinger.....	BB-25158	26. Oil seal assembly	BB-25126
9. Dust shield oil slinger bolt nut.....	DX-176	27. Oil seal retainer and dowel assembly.....	BB-25127
10. Dust shield oil slinger bolt lock washer.....	DX-253	28. Bearing cone — inner	15890M
11. Dust shield oil slinger bolt.....	DX-105	29. Bearing cup — inner	6043C
12. Brake drum	BB-25187	30. Bearing cup — outer	46632F
13. Front wheel hub	BB-25182	31. Bearing cone — outer	15891M
14. Inspection hole cover	BB-26288	32. Adjusting nut	BB-25123
15. Inspection hole cover screw.....	BB-26289	33. Jam nut lock	BB-25125
16. Jam nut	6970W	34. Jam nut lock ring	BB-25128
17. Cap nut	BB-26266	35. Adjusting jam nut	BB-25124
18. Wheel stud	BB-25169		

DIAMOND T MOTOR CAR COMPANY

1302
WHEELS

Code	Mfr. No.	Description	Order by this Number	Quantity Required
19868E		Rear wheel drive flange stud	6059F	32
18889E2		Rear wheel drive flange stud nut 1/2" U.S.S. Hex.	DX-179	32
44841D		Rear wheel brake drum	BB-26287	4
43649E		Rear wheel inspection hole cover	BB-26288	4
3126E11		Rear wheel inspection hole cover screw	BB-26289	4
2922E6		Rear wheel inspection hole cover screw lockwasher 1/4"....	DX-250	4



1. Hub	BB-26282	14. Bearing cone — outer	16887J
2. Outer cap nut	BB-26285	15. Bearing cup — outer	16889J
3. Inner cap nut	BB-26284	16. Bearing cup — inner	15892J
4. Stud	36968J	17. Bearing cone — inner	16890J
5. Jam nut	6970W	18. Felt retainer — outer	16919J
6. Brake drum	BB-26287	19. Felt	36911J
7. Inspection hole cover screen.....	BB-26289	20. Felt retainer — inner	26918J
8. Inspection hole cover	BB-26288	21. Axle shaft	BB-26042
9. Axle shaft stud.....	DX-179	22. Stud nut lock washer.....	DX-259
10. Axle shaft stud	6059F	23. Dowel	16868F
11. Bearing nut — outer	16047F	24. Puller screw	Z-6812
12. Bearing nut washer	16050F	25. Puller screw nut	DX-640
13. Bearing nut — inner	16046F		

**1401
1402
STEERING**

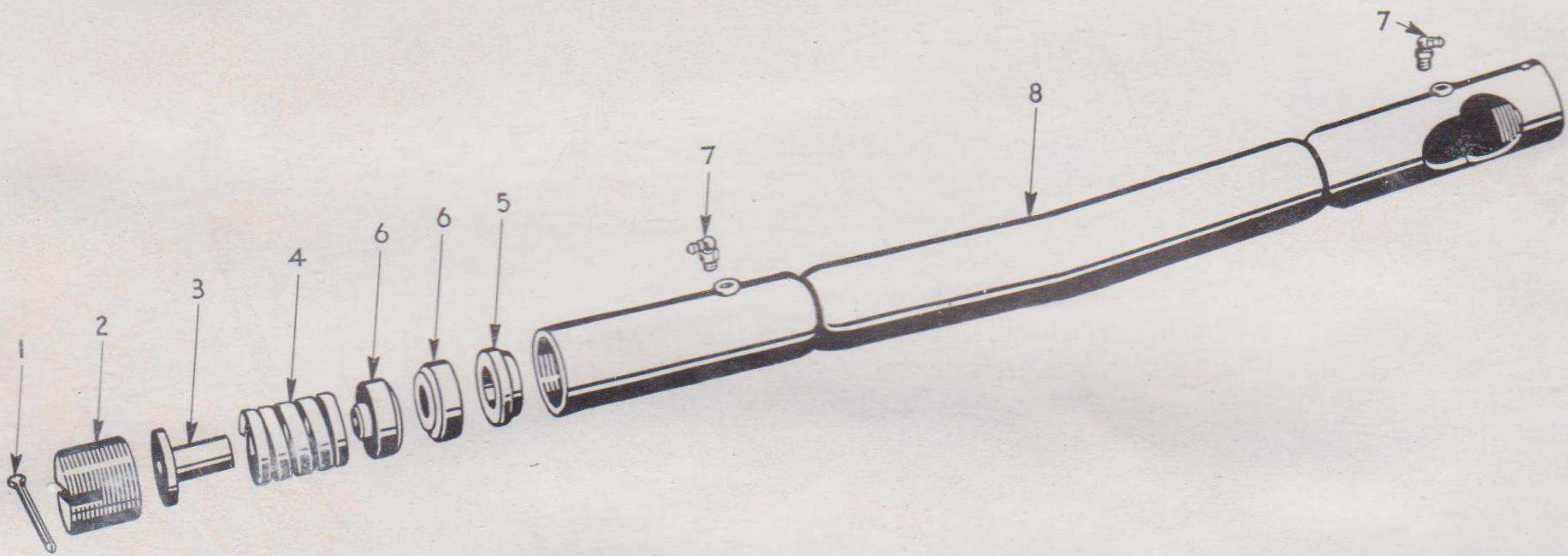
980 — 6 x 4 — PARTS LIST

Code	Mfr. No.	Description	Order by this Number	Quantity Required
------	----------	-------------	----------------------	-------------------

14 — STEERING

1401 — Steering Drag Link

		Drag link assembly	N-14221	1
		Drag link shell	Not serviced separately	
28DB2		Drag link bearing	BB-5982	4
28DS2		Drag link bearing spring	BB-5983	2
28DE3		Drag link bearing spring bumper	BB-5984	2
28DP4		Drag link bearing spring plug (slotted)	BB-5985	2
		Drag link bearing spring plug cotter	DX-223	2
28DE		Drag link spring seat	BB-5986	2
		Drag link grease fitting	N-2568F	2



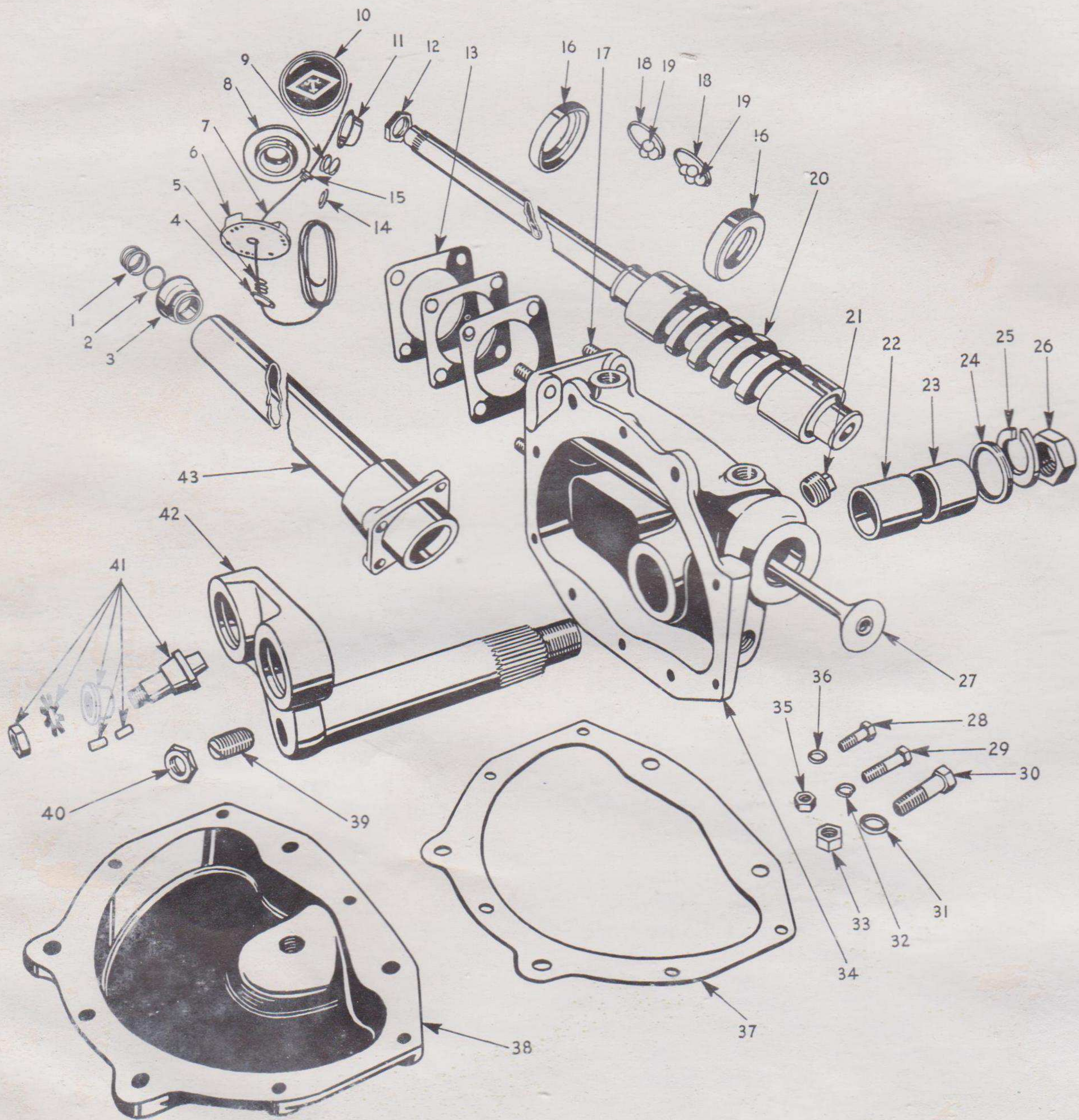
1. Plug cotter	DX-223	5. Bearing seat	BB-5986
2. Spring plug	BB-5985	6. Bearing	BB-5982
3. Spring bumper	BB-5984	7. Grease fitting	N-2568F
4. Drag link bearing spring	BB-5983	8. Drag link shell	NSS

1402 — Steering Tie Rod

A-3102-A-1509	Steering tie rod assembly	BB-25160	1
3102-A-1509	Steering tie rod — only	BB-25161	1
A-3144-J-114	Steering tie rod end assembly — R.H.	45180F	1
A-3144-T-124	Steering tie rod end assembly — L.H.	55181F	1
A-2110-D-56	Steering tie rod end stud and bearing assembly	25136F	2
13453	Steering tie rod end stud nut	15135F	2
X-191	Steering tie rod end stud nut cotter pin	DX-215A	2
1108-W-49	Steering tie rod end stud seat	25137F	2
1108-V-48	Steering tie rod end stud seat grease retainer	25138F	2
2258-J-348	Steering tie rod end stud seat spring	25139F	2
1250-F-110	Steering tie rod end plug	25176F	2
1254-P-68	Steering tie rod end plug lock	25177J	2
1107-F-32	Steering tie rod dust cover	35178F	2
5-X-429	Steering tie rod dust cover rubber	25179J	2
1107-H-60	Steering tie rod dust cover rubber retainer	35178J	2
1218-X-50	Steering tie rod dust cover rubber retainer spring	35179F	2
3-X-45	Steering tie rod end clamp bolt	15161C	4
13-X-7	Steering tie rod end clamp bolt nut	DX-1032C	4
X-533	Steering tie rod end clamp bolt nut lockwasher	6703C	4
	Steering tie rod grease fitting	N-2568A	2

DIAMOND T MOTOR CAR COMPANY

Code	Mfr. No.	Description	Order by this Number	Quantity Required
1403 — Steering Gear Assembly				
T-75141		Steering gear assembly (Ross)	N-3512A	1
T-503666		Steering gear housing assembly	BB-24101	1
070011		Steering gear housing bushing	BB-14103	2
022023		Steering gear housing stud	BB-4103	4
		Steering gear housing stud nut	DX-1091	4
		Steering gear housing stud nut L.W.	DX-259	4
7859-18		Steering gear housing end cover and oil seal tube assembly	BB-24179	1
032078		Steering gear housing leather oil seal	4317C	1
		Steering gear housing oil plug	DX-611A	2
8299-64-13/16"		Steering gear cam and wheel tube assembly with bearings and wheel nut	BB-24129	1
8298-64-13/16"		Steering gear cam and wheel tube assembly with nut	BB-24130	1
E20		Steering gear cam and wheel tube nut	14306J	1
400002		Steering gear cam and wheel tube thrust bearing ball cup	24338J	2
400001		Steering gear cam and wheel tube thrust bearing retaining ring	14339C	2
400015		Steering gear cam and wheel tube thrust bearing ball	Z-07	28
8466-50 ³ / ₄ "		Steering gear jacket tube and ball bearing unit assembly	BB-24108	1
066994		Steering gear ball bearing unit	24311J	1
401103		Steering gear ball bearing unit spring	BB-24138	1
028110		Steering gear ball bearing unit spring seat	BB-4134	1
401076		Steering gear ball bearing unit spring seat ret. ring	24339W	1
T-716000		Steering gear upper cover	BB-4119	1
033059		Steering gear upper cover brass shim .002"	BB-4120	Var.
033060		Steering gear upper cover steel shim .003"	BB-4121	Var.
033061		Steering gear upper cover steel shim .010"	BB-4122	Var.
8471-8 ³ / ₄ "		Steering gear cam lever shaft with roller bearing unit, nut and L.W.	BB-24154	1
8031-8 ³ / ₄ "		Steering gear cam lever shaft with nut and L.W.	BB-24151	1
I-61L		Steering gear cam lever shaft nut	14345J	1
044988		Steering gear cam lever shaft roller bearing unit	BB-4129	2
025056		Steering gear cam lever shaft roller bearing unit nut	BB-24153	2
028017		Steering gear cam lever shaft roller bearing unit pronged washer	4355C	2
503507		Steering gear drop arm and ball assembly	BB-24141	1
502520		Steering gear housing side cover assembly	BB-24122	1
T-749000		Steering gear housing side cover gasket	BB-24125	1
021020		Steering gear housing side cover adjusting screw	BB-4111	1
025006		Steering gear housing side cover adjusting screw lock nut	DX-641	1
021102		Steering gear housing side cover bolt	DX-427B	4
		Steering gear housing side cover bolt nut	DX-1091	4
		Steering gear housing side cover bolt nut L.W.	DX-259	4
020040		Steering gear housing side cover screw ³ / ₈ " — 24x1 ¹ / ₂ "	DX-439PP	4
021118		Steering gear housing side cover bolt ³ / ₈ " — 24x1 ¹ / ₈ "	DX-439QQ	2
		Steering gear housing side cover screw nut	DX-566	4
		Steering gear housing side cover screw nut L.W.	DX-255	6
1404 — Steering Wheel Assembly				
553-22"		Steering wheel assembly (Sheller)	DX-5587A	1
E-20		Steering wheel nut	14306R	1
		Steering wheel medallion	DX-4916	1
465312		Steering wheel horn button assembly	DX-4906	1
7242-96"		Steering wheel horn button cable and terminal	34360W	1
450029		Steering wheel horn button only	34370W	1
029037		Steering wheel horn button contact cup	34372W	1
401081		Steering wheel horn button contact cup spring	34373W	1
029031		Steering wheel horn button contact cup spring pilot	34375W	1



1. Retaining spring	BB-24138	16. Thrust bearing ball cup	24338J	30. Screw	DX-427B
2. Spring seat retaining ring	24339W	17. Housing stud	BB-4103	31. Lock washer	DX-259
3. Ball bearing unit	24311J	18. Thrust bearing retaining ring	14339C	32. Lock washer	DX-255
4. Spring cup	34367W	19. Thrust bearing ball	Z-07	33. Nut	DX-1091
5. Support spring	34365W	20. Cam and tube assembly	BB-24130	34. Housing assembly	BB-24116
6. Base plate assembly	34368W	21. Oil plug	DX-611A	35. Nut	DX-566
7. Horn button cable	34360W	22. Housing bushing — inner	BB-4101	36. Lock washer	DX-255
8. Horn button	34370W	23. Housing bushing — outer	BB-4102	37. Side cover gasket	BB-24125
9. Contact cup spring	34873W	24. Oil seal	4317C	38. Side cover	BB-24122
10. Medallion	DX-4916	25. Cam lever shaft nut lock washer	BB-4131	39. Adjusting screw	BB-4111
11. Contact cup	34372W	26. Lever shaft nut	14345J	40. Adjusting screw lock nut	DX-641
12. Cam and wheel tube nut	14306J	27. End cover and oil seal tube	BB-24179	41. Roller bearing unit	BB-4129
13. Upper cover brass shim	BB-4120	28. Screw	DX-439QQ	42. Cam lever shaft with nut and lock washer	BB-24151
14. Contact cup spring pilot	34375W	29. Screw	DX-439PP	43. Jacket tube	BB-24108
15. Insulating bushing	44363W				

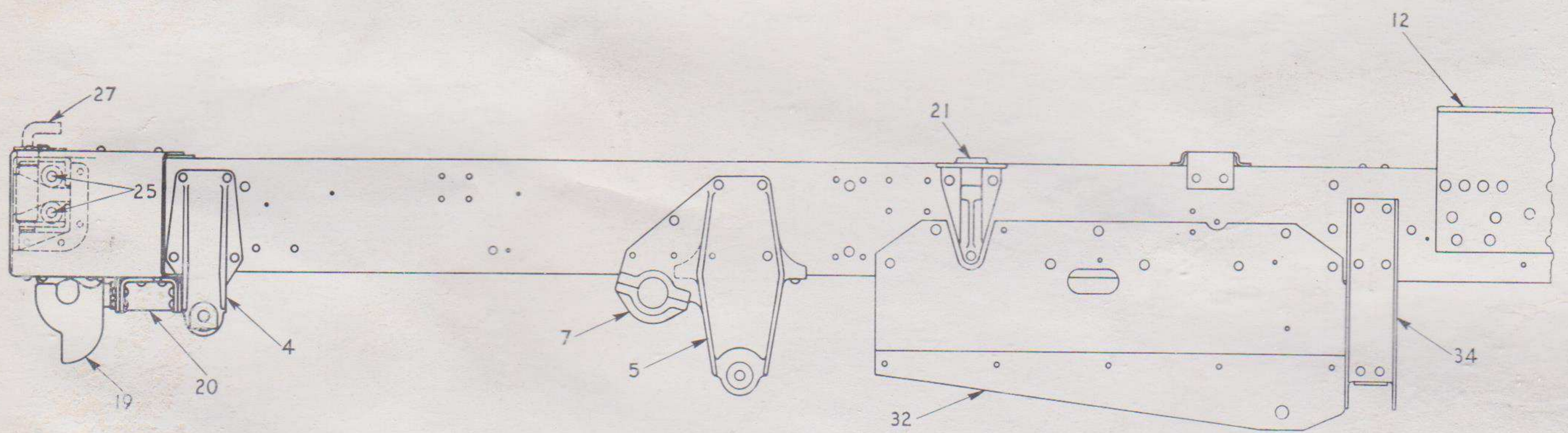
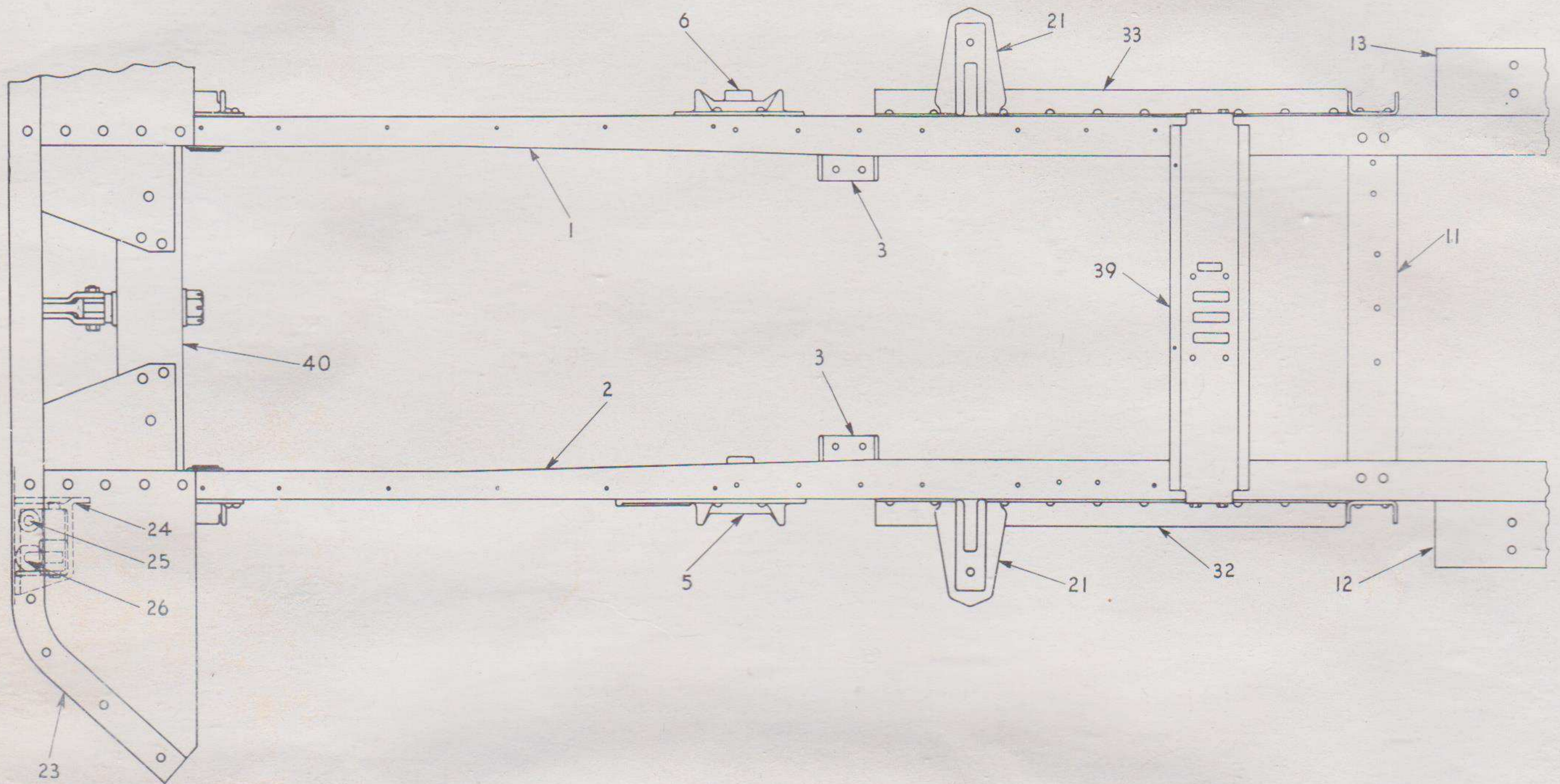
DIAMOND T MOTOR CAR COMPANY

Code	Mfr. No.	Description	Order by this Number	Quantity Required
	454895	Steering wheel horn button base plate assembly	34368W	1
	022020	Steering wheel horn button base plate screw	34369W	3
	051036	Steering wheel horn cable insulating bushing	BB-4135	1
	401082	Steering wheel horn cable support spring	34365W	1
	029032	Steering wheel horn cable support spring cup	34367W	1

1405 — Steering Gear Assembly Brackets

Steering gear frame bracket	N-15119	1
Steering gear frame bracket bolt	N-40251-D	6
Steering gear frame bracket bolt nut	N-12311C	6
Steering gear frame bracket bolt L.W.	N-7460Z	6
Steering gear bracket cap	N-5120	1
Steering gear bracket cap bolt	N-38251C	4
Steering gear bracket cap bolt L.W.	N-7460Y	4
Steering gear trunnion bolt	N-39251L	1
Steering gear trunnion bolt washer	N-17460	1
Steering gear trunnion bolt L.W.	N-7460X	1
Steering gear trunnion bolt plain washer	N-6460Q	1
Steering gear trunnion bolt nut	N-12311E	1
Steering column pedal escutcheon	N-9399	1
Steering column escutcheon	N-7279	1
Steering column escutcheon screw	DX-4256A	6
Steering column bracket bushing	N-11360	1
Steering column dash bracket	N-9171	1
Steering column dash bracket cap	N-1172	1
Steering column dash bracket bolt	N-47251D	2
Steering column dash bracket bolt nut	N-12311B	2
Steering column dash bracket bolt L.W.	N-7460AB	2
Steering column dash bracket cap bolt	N-16251A	2
Steering column dash bracket cap bolt L.W.	N-7460AB	2

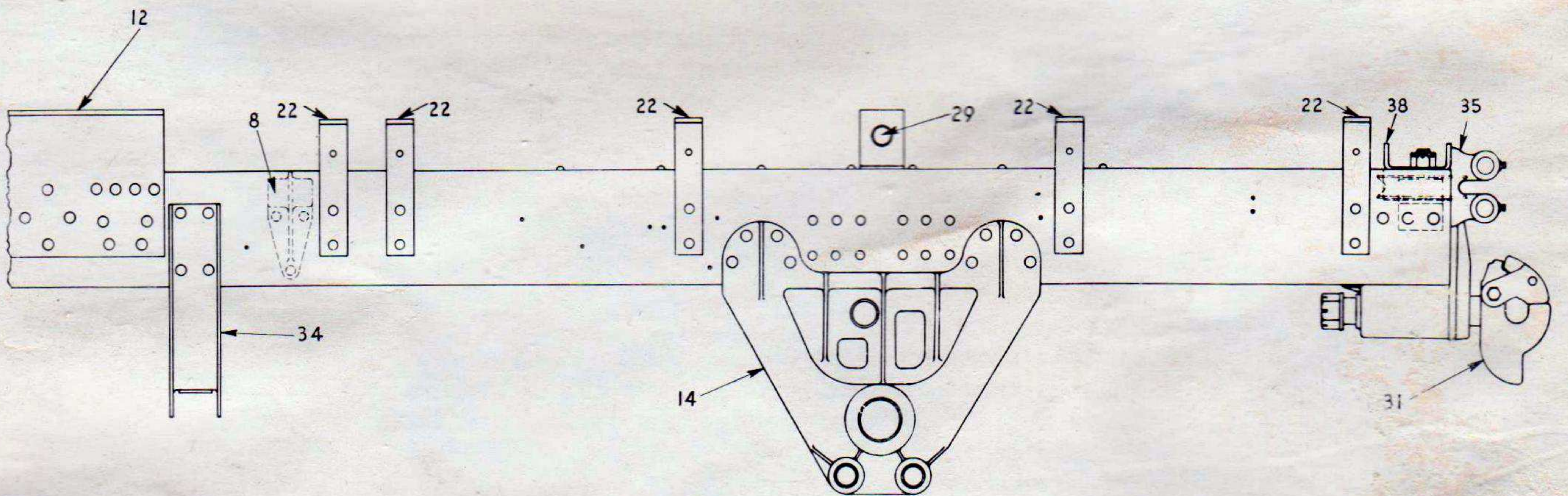
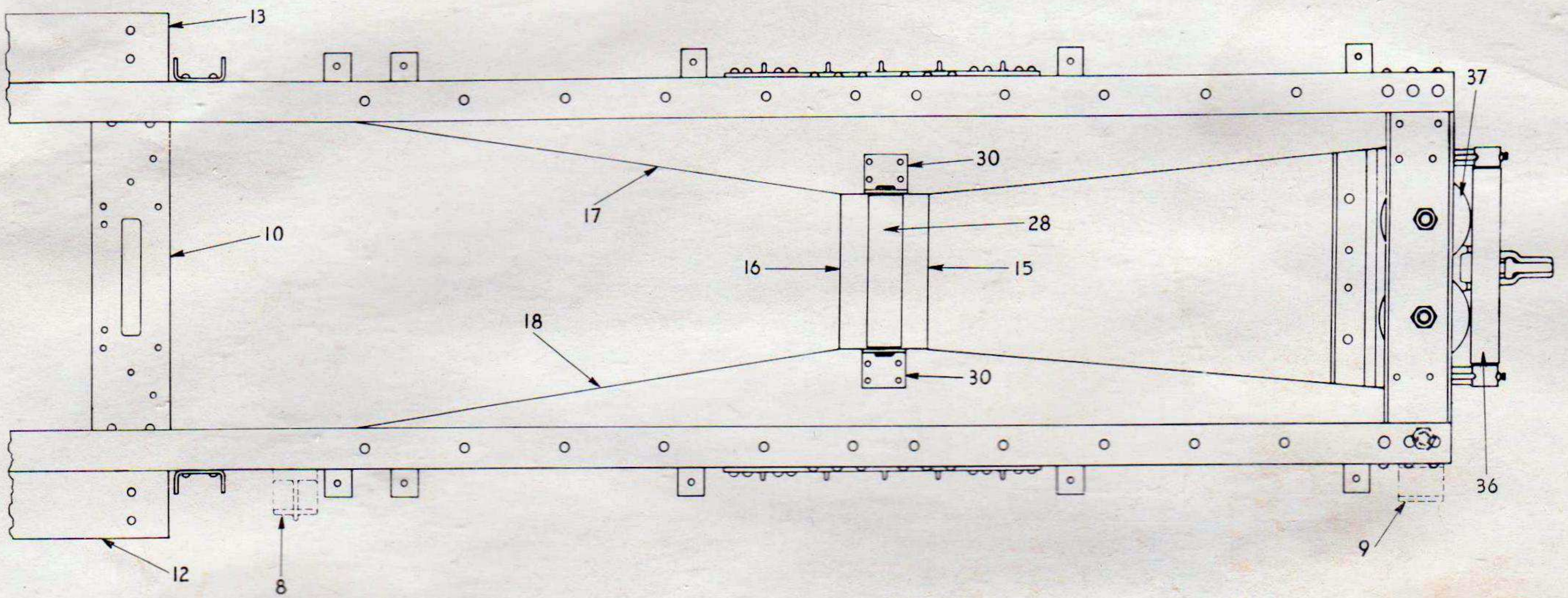
15 — FRAME AND BRACKETS



Frame Layout
← Front of Chassis

See opposite page →

1. Frame rail R.H.	N-12201R	21. Cowl mounting bracket.....	N-6386
2. Frame rail L.H.	N-12201L	23. Front bumper.....	N-17138
3. Rear engine support bracket.....	N-9132	24. Front bumper roller support.....	Not used
4. Front spring front hanger.....	N-6101	25. Front bumper roller.....	Not used
5. Front spring rear hanger L.H.....	N-8152	26. Front bumper roller and pin.....	Not used
6. Front spring rear hanger R.H.....	N-7102	27. Front bumper roller pin.....	Not used
7. Steering gear bracket cap.....	N-5120	32. Battery shield L.H.....	N-7422L
11. Auxiliary transmission crossmember.....	N-49198	33. Battery shield R.H.....	N-7422R
12. Winch mounting angle L.H.....	1Y-428-L	34. Step hanger center and rear.....	N-5258
13. Winch mounting angle R.H.....	1Y-428-R	39. Shift lever support crossmember.....	N-2451
18. Front pintle hook.....	N-2625	40. Radiator support crossmember.....	N-51198
20. Front pintle hook support.....	N-6455		



See opposite page
←

Frame Layout
Rear of Chassis →

10. Auxiliary transmission crossmember.....	N-48198	28. Cable idler roller and bushing.....	N-10498
12. Winch mounting angle L.H.	1Y-428-L	29. Cable idler roller shaft.....	N-29156
13. Winch mounting angle R.H.	1Y-428-R	30. Cable roller bracket.....	N-7522
14. Tandem unit bracket.....	3883-F-6	31. Rear pintle hook.....	DX-5930
15. Tandem axle crossmember — rear.....	N-87465B	34. Step hanger — center and rear.....	N-5258
16. Tandem axle crossmember — front.....	N-87465A	35. Towing cable roller bracket.....	N-6522
17. Frame gusset — R.H.	N-13454	36. Towing cable roller.....	N-9498
18. Frame gusset — L.H.	N-13454	37. Cable sheave.....	N-3572
22. Body mounting bracket.....	BP-2083	38. Rear crossmember top channel.....	N-3611

1500 FRAME

980 — 6 x 4 — PARTS LIST

Code	Mfr. No.	Description	Order by this Number	Quantity Required
1500 — Frame and Brackets				
		Frame assembly, complete with brackets	N-39100	1
		Frame side rail R.H.	N-12201R	1
		Frame side rail L.H.	N-12201L	1
		Rear engine support bracket	N-9132	2
		Rear engine support bracket rivet (1/2x1 3/8")	N-1567D	4
		Radiator support cross member	N-51198	1
		Auxiliary transmission cross member — rear	N-48198	1
		Auxiliary transmission cross member rivet (5/8x2 1/2")	N-2567M	16
		Auxiliary transmission cross member — front	N-49198	1
		Auxiliary transmission cross member rivet (1/2x1 5/8")	N-2567J	10
		Winch mounting angle — R.H. less bolts and nuts	1Y-428R	1
		Winch mounting angle — L.H. less bolts and nuts	1Y-428L	1
		Winch mounting angle rivet (5/8x2 1/8")	N-2567Y	24
3883-F-6		Tandem unit bracket	BB-27150	2
		Tandem unit bracket rivet — side (5/8x1 7/8")	N-2567Z	16
		Tandem unit bracket bolt (1/2x1 3/4")	N-40251D	4
		Tandem unit bracket bolt nut (1/2"-20)	N-12311C	4
		Tandem unit bracket bolt lockwasher (1/2")	N-7460Z	4
		Tandem unit cross member — front	N-87465A	1
		Tandem unit cross member — rear	N-87465B	1
		Tandem unit cross member rivet — frame (1/2x2")	N-2567L	4
		Tandem unit cross member rivet — gusset (1/2x1 5/8")	N-2567J	8
		Tandem unit cross member rivet C/M to C/M (5/8x2")	N-2567Q	3
		Tandem unit cross member bracket — front R.H.	N-18415B	1
		Tandem unit cross member bracket — front L.H.	N-18415A	1
		Tandem unit cross member bracket — rear R.H.	N-18415A	1
		Tandem unit cross member bracket — rear L.H.	N-18415B	1
		Tandem unit cross member bracket rivet — frame (1/2x2") ..	N-2567L	24
		Tandem unit cross member bracket rivet — C/M (5/8x3") ...	N-2567AA	9
		Tandem unit cross member bracket rivet — axle unit (1/2x2")	N-2567L	16
		Tandem unit cross member spacer	N-43384	2
		Tandem unit cross member bracket spacer rivet (1/2x2 3/4") ..	N-2567V	8
		Frame gusset — R.H.	N-13454	1
		Frame gusset — L.H.	N-13454	1
		Frame gusset rivet (1/2x1 5/8")	N-2567J	18
		Frame gusset rivet rear	N-2567Z	6
		Frame rear cross member	N-52198	1
		Frame rear cross member rivet — lower frame (5/8x1 7/8") ...	N-2567Z	6
		Frame rear cross member rivet — L.H. angle (5/8x2")	N-2567Q	3
		Frame rear cross member rivet — R.H. angle (5/8x1 3/4") ...	N-2567BB	3
		Frame rear cross member angle — long	N-88465	1
		Frame rear cross member angle rivet (5/8x1 7/8")	N-2567Z	4
		Frame rear cross member angle rivet ends (5/8x2 1/8")	N-2567Y	2
		Frame rear cross member angle — side top R.H.	N-88465	1
		Frame rear cross member angle — side top L.H.	N-88465	1
		Frame rear cross member angle rivet — frame (5/8x1 3/4") ...	N-2567BB	6
		Frame rear cross member top channel	N-3611	1
		Frame rear cross member top channel spacer	N-44384B	4
		Frame rear cross member top channel spacer bolt (5/8x3 3/4")	N-38251G	4
		Frame rear cross member top channel spacer bolt nut (5/8"-18)	N-12311D	4
		Frame rear cross member top channel spacer bolt L.W. (5/8")	N-7460-Y	4
		Cowl mounting bracket	N-6386	2
		Cowl mounting bracket rivet (1/2x1 3/4")	N-2567K	6
BP-2083		Body mounting bracket	BP-2083	10
		Body mounting bracket rivet (1/2x2")	N-2567L	20

DIAMOND T MOTOR CAR COMPANY

Code	Mfr. No.	Description	Order by this Number	Quantity Required
1501 — Towing Attachments				
		Towing cable roller bracket	N-6522	2
		Towing cable roller bracket bolt (5/8x3 3/4")	N-38251G	4
		Towing cable roller bracket bolt nut (5/8"-18)	N-12311D	4
		Towing cable roller bracket bolt lockwasher (5/8")	N-7460Y	4
		Towing cable roller bracket set screw	DX-664B	4
		Towing cable roller bracket set screw nut (7/16"-14)	N-39311A	4
		Towing cable roller	N-9498	2
		Towing cable roller shaft	N-19156	2
		Towing cable roller bushing	N-24492	4
		Towing cable sheave	N-3579	2
		Towing cable sheave spacer — center	N-16460	2
		Towing cable sheave bushing	N-23492	2
		Towing cable sheave pin	N-36265	2
		Towing cable sheave bolt	N-7527A	2
		Towing cable sheave bolt nut	N-13311D	2
		Towing cable sheave bolt cotter pin	N-21265S	2
		Towing cable sheave bolt grease fitting	N-2568H	2
		Cable idler roller assembly (including next 6 items)	N-13498	1
		Cable idler roller and bushing	N-10498	1
		Cable idler roller	N-10498A	1
		Cable idler roller bushing	N-24492	2
		Cable idler roller shaft	N-20156	1
		Cable idler roller shaft alemite	N-2568F	1
		Cable idler roller bracket	N-7522	2
		Cable idler roller bracket bolt (1/2x1 3/4")	N-40251D	8
		Cable idler roller bracket bolt nut (1/2"-20)	N-12311C	8
		Cable idler roller bracket bolt lockwasher (1/2")	N-7460Z	8
		Skid pan bracket spacer rod	N-48277	1
		Skid pan bracket spacer rod nut	N-13311D	2
		Skid pan bracket spacer rod nut lockwasher	N-7460W	2
		Skid pan bracket spacer rod nut cotter pin	N-21265S	2
		Skid pan bracket spacer	N-44384A	1

1502 — Pintle Hooks

T-19-E	Front pintle hook assembly (Wisconsin)	N-2625	1
	Front pintle hook support	N-6455	1
	Front pintle hook support rivet — side (7/16x1 3/4")	N-2567X	12
	Front pintle hook support rivet — top (1/2x1 1/2")	N-1567J	4
	Front pintle hook chain (10 1/2")	DX-5979	1
	Front pintle hook chain cotter pin (1/4x3")	N-21265T	1
	Front pintle hook chain cotter pin (3/16x2")	N-21265Q	1
	Front pintle hook grease fitting	N-2568A	1
4887-B-44	Front pintle hook only	BB-27526	1
3897-L-142	Front pintle hook lock (03501-X)	BB-27530	1
15 X-214	Front pintle hook lock bolt (03498-V)	BB-27532	1
1827-X-76	Front pintle hook lock bolt nut (03497-V)	BB-27533	1
K-2416	Front pintle hook lock cotter pin	DX-214A	1
2847-G-163	Front pintle hook latch (03500-W)	BB-27536	1
2858-P-42	Front pintle hook latch spring (03496-V)	BB-27537	1
1846-Y-51	Front pintle hook latch pin (03499-V)	BB-27538	1
S-1510	Front pintle hook latch pin lockscrew	DX-582	1
W-15	Front pintle hook latch pin lockwasher	DX-252	1
K-2724	Front pintle hook cotter pin	DX-222B	1
1827-X-128	Front pintle hook nut (MKQ6HB)	BB-27531	1
1829-Z-390	Front pintle hook seat washer — front	BB-27534	1
1829-M-403	Front pintle hook seat washer — rear	BB-27535	1
T-19-C-A-682	Rear pintle hook assembly with chain	DX-5930	1

Code	Mfr. No.	Description	Order by this Number	Quantity Required
		Rear pintle hook bolt — C/M — face (3/4 — 16x2")	N-39251H	5
		Rear pintle hook bolt — C/M — flange (3/4 — 16x1 3/4")	N-39251K	2
		Rear pintle hook bolt — C/M — flange (3/4 — 16x2 1/4")	N-39251J	2
		Rear pintle hook bolt nut (3/4 — 16")	N-12311E	9
		Rear pintle hook bolt lockwasher (3/4")	N-7460X	9
		Rear pintle hook chain (10 1/2")	DX-5979	1
		Rear pintle hook chain cotter pin (1/4x3")	N-21265T	1
		Rear pintle hook chain cotter pin (3/16x2")	N-21265Q	1
4887-P-42		Rear pintle only (08373-V)	BB-27525	1
2858-N-66		Rear pintle compression spring (7430-V)	BB-27527	1
3877-S-45		Rear pintle compression spring seat — inner (03471-V)	BB-27528	1
3877-L-90		Rear pintle compression spring seat — outer (08374-V)	BB-27529	1
1829-Z-390		Rear pintle compression spring seat washer	BB-27534	1
3897-W-179		Rear pintle housing (7423-X)	BB-27523	1
3897-M-143		Rear pintle housing bracket (03468-X)	BB-27524	1
P-112		Rear pintle housing plug	DX-611	1
S-11220		Rear pintle housing bolt	DX-439H	4
N-112		Rear pintle housing bolt nut	DX-599B	4
W-112		Rear pintle housing bolt lockwasher	DX-264	4
3897-L-142		Rear pintle lock (03501-X)	BB-27530	1
15-X-214		Rear pintle lock bolt (03498-V)	BB-27532	1
1827-X-76		Rear pintle lock bolt nut (03497-V)	BB-27533	1
K-2416		Rear pintle lock bolt cotter key	DX-214A	1
2847-G-163		Rear pintle latch (03500-W)	BB-27536	1
2858-P-42		Rear pintle latch spring (03496-V)	BB-27537	1
1846-Y-51		Rear pintle latch pin (03499-V)	BB-27538	1
S-1510		Rear pintle latch pivot pin lockscrew	DX-582	1
W-15		Rear pintle latch pivot pin lockwasher	DX-252	1
1827-X-128		Rear pintle nut (MKQ6HB)	BB-27531	1
K-2724		Rear pintle cotter key	DX-222B	1

1504 — Running Board Hangers and Fender Irons

	Step hanger — center and rear	N-5258	4
	Step hanger rivet	N-2567J	16
	Step hanger — front L.H.	N-6258L	1
	Step hanger — front R.H.	N-6258R	1
	Step hanger — front bolt	N-40251A	8
	Step hanger — front bolt nut	N-12311C	8
	Step hanger — front bolt L.W.	N-7460Z	8
	Step board support — front L.H.	N-5281L	1
	Step board support — front R.H.	N-5281R	1
	Step board support bolt	N-40251A	4
	Step board support bolt nut	N-12311C	4
	Step board support bolt L.W.	N-7460Z	4
	Step board support — front	N-6149	1
	Step board support bolt	N-40251E	8
	Step board support bolt nut	N-12311C	8
	Step board support bolt L.W.	N-7460Z	8
	Step board support bolt	N-38251J	2
	Step board support bolt nut	N-12311D	2
	Step board support bolt nut L.W.	N-7460Y	2
	Step board support — center	N-7149A	1
	Step board support bolt — hanger	N-40251E	6
	Step board support bolt — shield	N-40251A	2
	Step board support bolt nut	N-12311C	8
	Step board support bolt L.W.	N-7460Z	8
	Step board support — rear	N-7149B	1
	Step board support bolt	N-40251E	8
	Step board support bolt nut	N-12311C	8
	Step board support bolt L.W.	N-7460Z	8

DIAMOND T MOTOR CAR COMPANY

Code	Mfr. No.	Description	Order by this Number	Quantity Required
		Front fender iron — front	N-12310	2
		Front fender iron bolt	N-40251A	8
		Front fender iron bolt nut	N-12311C	8
		Front fender iron bolt L.W.	N-7460Z	8
		Front fender iron — rear	N-11310	2
		Front fender iron bolt	N-40251D	6
		Front fender iron bolt nut	N-12311C	6
		Front fender iron bolt L.W.	N-7460Z	6

16 — SPRINGS AND SHOCK ABSORBERS

1601 — Front and Rear Springs and Spring Bumpers

Front spring	N-8140A	2
Front spring main leaf (top)	N-8140AMS1	2
Front spring main leaf (top) eye bushing 1¼x1½x3"	6062J	4
Front spring leaf No. 2 (wrapper)	N-8140AMS2	2
Front spring leaf No. 3	N-8140AMS4	2
Front spring leaf No. 4	N-8140AMS5	2
Front spring leaf No. 5 with rebound clip	N-8140AMS6	2
Front spring leaf rebound clip — outer — small	N-8140AMS20	4
Front spring leaf rebound clip bolt and nut assembly	N-8140AMS21	4
Front spring leaf rebound clip sleeve	N-8140AMS22	4
Front spring leaf No. 6	N-8140AMS7	2
Front spring leaf No. 7	N-8140AMS8	2
Front spring leaf No. 8 with rebound clip	N-8140AMS9	2
Front spring leaf rebound clip — inner — large	N-8140AMS23	4
Front spring leaf rebound clip bolt and nut assembly	N-8140AMS21	4
Front spring leaf rebound clip sleeve	N-8140AMS22	4
Front spring leaf No. 9	N-8140AMS10	2
Front spring leaf No. 10	N-8140AMS11	2
Front spring leaf No. 11	N-8140AMS12	2
Front spring leaf No. 12	N-8140AMS13	2
Front spring leaf No. 13	N-8140AMS14	2
Front spring center bolt and nut assembly	N-8140AMS3	2
Rear spring	N-13192A	2
Rear spring main leaf (bottom)	N-13192AMS1	2
Rear spring leaf No. 2	N-13192AMS2	2
Rear spring leaf No. 3	N-13192AMS4	2
Rear spring leaf No. 4	N-13192AMS5	2
Rear spring leaf No. 5 with rebound clip	N-13192AMS6	2
Rear spring leaf rebound clip — outer — small	N-13192AMS20	4
Rear spring leaf rebound clip bolt and nut assembly	N-13192AMS21	4
Rear spring leaf rebound clip sleeve	N-13192AMS22	4
Rear spring leaf No. 6	N-13192AMS7	2
Rear spring leaf No. 7	N-13192AMS8	2
Rear spring leaf No. 8	N-13192AMS9	2
Rear spring leaf No. 9	N-13192AMS10	2
Rear spring leaf No. 10 with rebound clip	N-13192AMS11	2
Rear spring leaf rebound clip — inner — large	N-13192AMS23	4
Rear spring leaf rebound clip bolt and nut assembly	N-13192AMS21	4
Rear spring leaf rebound clip sleeve	N-13192AMS22	4
Rear spring leaf No. 11	N-13192AMS12	2
Rear spring leaf No. 12	N-13192AMS13	2
Rear spring center bolt and nut assembly	N-13192AMS3	2

**1602
SPRINGS
1701
SHEET METAL**

980 — 6 x 4 — PARTS LIST

Code	Mfr. No.	Description	Order by this Number	Quantity Required
1602 — Shackles and Spring Attaching Parts				
		Front spring front hanger	N-6101	2
		Front spring front hanger rivet — side (1/2x1 3/4")	N-2567K	8
		Front spring front hanger rivet — flange (1/2x1 3/4")	N-2567K	4
		Front spring front hanger bolt — C/M (1/2x1 1/2")	N-40251A	2
		Front spring front hanger bolt nut (1/2"-20)	N-12311C	2
		Front spring front hanger bolt lockwasher (1/2")	N-7460Z	2
		Front spring rear hanger — R.H.	N-7102	1
		Front spring rear hanger rivet (1/2x1 3/4")	N-2567K	6
		Front spring rear hanger bolt — flange (1/2x1 1/2")	N-40251A	2
		Front spring rear hanger bolt nut (1/2"-20)	N-12311C	2
		Front spring rear hanger bolt lockwasher (1/2")	N-7460Z	2
		Front spring rear hanger — L.H.	N-8102	1
		Front spring rear hanger rivet — frame (1/2x1 3/4")	N-2567K	4
		Front spring rear hanger bolt — flange (1/2x1 1/2")	N-40251A	1
		Front spring rear hanger bolt nut (1/2"-20)	N-12311C	1
		Front spring rear hanger bolt lockwasher (1/2")	N-7460Z	1
		Front spring shackle	N-5128	2
		Front spring shackle pin	N-33265	6
		Front spring shackle pin grease fitting	N-2568F	2
		Front spring shackle pin lock	N-6504	6
		Front spring shackle pin lock nut (3/8"-24)	N-12311B	6
		Front spring shackle pin lock lockwasher (3/8")	N-7460AB	6
		Front spring shackle bushing	6062J	2
		Front spring shackle pin grease fitting	N-2568A	4
		Front spring clip	DT-6020DP	4
		Front spring clip nut	DT-5055A	8
		Front spring clip lockwasher	N-7460X	8
		Front spring clip spacer	N-7153D	2
		Front spring clip spacer bumper	N-6447B	2
		Front spring clip spacer bumper screw	N-79251G	4
		Rear spring clip	DT-6261Z	4
		Rear spring clip nut (1 1/4"-12)	N-38311	8
		Rear spring clip lockwasher (1 1/4")	N-7460W	8
		Rear spring clip spacer	N-6154	2

17 — SHEET METAL

1701 — Fenders

		Front fender R.H.	N-21144R	1
		Front fender L.H.	N-21144L	1
		Front fender bolt — to iron — rear	N-13251C	6
		Front fender bolt nut	N-12311L	6
		Front fender bolt L.W.	N-7460AE	6
		Front fender bolt — to shield	N-60251M	14
		Front fender bolt plain washer	N-6460L	14
		Front fender bolt L.W.	N-7460AC	14
		Front fender bolt to bumper	N-47251D	10
		Front fender bolt nut	N-12311B	10
		Front fender bolt plain washer	N-6460F	10
		Front fender bolt L.W.	N-7460AB	10
		Front fender scuff plate	N-6178	2
		Front fender scuff plate bolt	N-60251CC	12
		Front fender scuff plate bolt	N-60251DD	8
		Front fender scuff plate bolt nut	N-16311A	20
		Front fender scuff plate bolt L.W.	N-7460AE	20
		Front fender shield R.H.	N-10191R	1
		Front fender shield L.H.	N-10191L	1
		Front fender shield bolt — to frame	N-48251H	11

DIAMOND T MOTOR CAR COMPANY

Code	Mfr. No.	Description	Order by this Number	Quantity Required
		Front fender shield bolt plain washer	N-6460L	11
		Front fender shield bolt L.W.	N-7460AC	11
		Front fender guide	N-1640	1
		Front fender guide nut	N-12311B	2
1703 — Running Boards				
		Step board R.H.	N-14260R	1
		Step board L.H.	N-14260L	1
		Step board bolt — to step board support	N-72251B	14
		Step board bolt nut	N-11311B	14
		Step board bolt L.W.	N-7460AB	14
		Step board bolt P.W.	N-6460F	14
		Step board bolt — battery shield	N-40251J	10
		Step board bolt nut	N-12311C	10
		Step board bolt L.W.	N-7460Z	10
		Step board bolt plain washer	N-6460C	10
		Battery shield R.H.	N-6422R	1
		Battery shield L.H.	N-6422L	1
		Battery shield bolt — to frame	N-47251D	18
		Battery shield bolt nut	N-12311B	18
		Battery shield bolt L.W.	N-7460AB	18
		Battery shield door R.H.	N-3608R	1
		Battery shield door L.H.	N-3608L	1
		Battery shield door hinge	N-12236	2
		Battery shield door hinge bolt	N-60251S	18
		Battery shield door hinge bolt nut	N-16311K	18
		Battery shield door hinge bolt L.W.	N-7460K	18
		Battery shield bolt — step board and support	N-47251A	8
		Battery shield bolt nut	N-12311B	8
		Battery shield bolt L.W.	N-7460AB	8
		Battery shield bolt — step board	N-47251E	10
		Battery shield bolt nut	N-12311B	10
		Battery shield bolt L.W.	N-7460AB	10
		Battery shield bolt — shield	N-47251E	2
		Battery shield bolt nut	N-12311B	2
		Battery shield bolt L.W.	N-7460AB	2
		Battery shield bolt plain washer	N-6460F	2
		Battery shield bolt — step board and support	N-47251C	4
		Battery shield bolt nut	N-12311B	4
		Battery shield bolt L.W.	N-7460AB	4
		Battery retainer R.H.	N-12615R	2
		Battery retainer L.H.	N-12615L	2
		Battery retainer hinge	N-14236	8
		Battery retainer hinge bolt — step board	N-48251H	40
		Battery retainer hinge bolt nut	N-12311A	40
		Battery retainer hinge bolt L.W.	N-7460AC	40
		Battery retainer tie rod	N-51277	2
		Battery retainer tie rod wing nut	DX-586LL	4
		Battery retainer tie rod wing nut plain washer	N-6460C	4
		Battery spacer	N-45384	2
		Battery shield lock and tumbler	DX-5802	2
		Battery compartment door striker	N-5616	2
		Battery compartment door striker bolt	N-48251H	12
		Battery compartment door striker bolt nut	N-12311A	12
		Battery compartment door striker bolt L.W.	N-7460AC	12

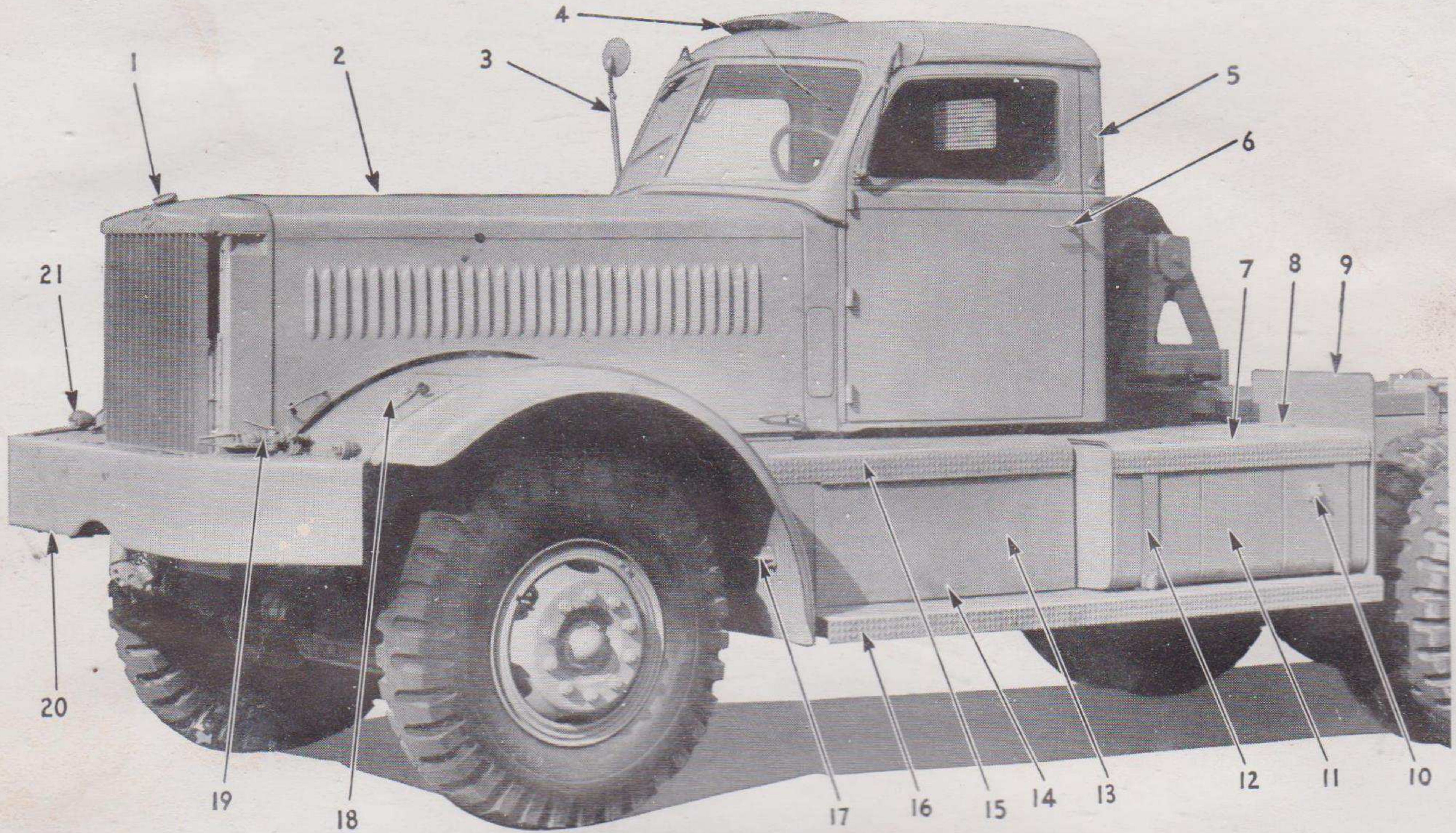
1704 SHEET METAL

980 — 6 x 4 — PARTS LIST

Code	Mfr. No.	Description	Order by this Number	Quantity Required
1704 — Hood and Fittings				
		Hood assembly	N-13214	1
		Hood center panel hinge (Female)	N-13236A	2
		Hood hinge (Male)	N-13236B	2
		Hood hinge locking bar — front	N-3413	1
		Hood hinge locking bar — rear	N-4413	1
		Hood side R.H. with N-13236B hinge	N-13214R	1
		Hood side L.H. with N-13236B hinge	N-13214L	1
		Hood center panel with 2-N13236A hinge	N-13214A	1
		Hood fastener assembly — front R.H.	DX-5243B	1
		Hood fastener assembly — front L.H.	DX-5243A	1
		Hood fastener assembly — rear R.H.	DX-5243A	1
		Hood fastener assembly — rear L.H.	DX-5243B	1
CE-6011		Hood fastener clip	BB-27330	4
CE-6012		Hood fastener spring	BB-27331	4
CC-6025		Hood fastener cover	BB-27332	4
CB-6025		Hood fastener base	BB-27333	4
		Hood side fastener catch R.H.	N-4387R	1
		Hood side fastener catch L.H.	N-4387L	1
		Hood side fastener catch bolt	N-43251J	4
		Hood side fastener catch bolt nut	N-16311D	4
		Hood side fastener catch bolt L.W.	N-7460AC	4
		Hood handle — front R.H.	DX-5242BB	1
		Hood handle — front L.H.	DX-5242AA	1
		Hood handle — rear R.H.	DX-5242AA	1
		Hood handle — rear L.H.	DX-5242BB	1
		Hood handle cotter pin	N-21265E	4
		Hood to cowl bolt	N-16251C	2
		Hood to cowl bolt L.W.	N-7460AB	2
		Hood to cowl bolt plain washer	N-6460F	2
		Hood to cowl bolt lock strap	N-2480A	1
		Hood to radiator bolt	N-16251C	2
		Hood to radiator bolt L.W.	N-7460AB	2
		Hood to radiator bolt plain washer	N-6460F	2
		Hood to radiator bolt lock strap	N-2480B	1
		Hood brace R.H.	N-1468R	2
		Hood brace L.H.	N-1468L	2
		Hood brace bolt	N-16251B	2
		Hood brace bolt nut	N-11311B	2
		Hood brace bolt L.W.	N-7460AB	2
		Hood brace pin	DT-3550	4
		Hood brace pin cotter pin	N-21265E	4
		Hood angle	N-86465	2
		Hood angle bolt	N-48251A	6
		Hood angle bolt plain washer	N-6460L	6
		Hood angle bolt L.W.	N-7460AC	6

1800 BODY

980 — 6 x 4 — PARTS LIST



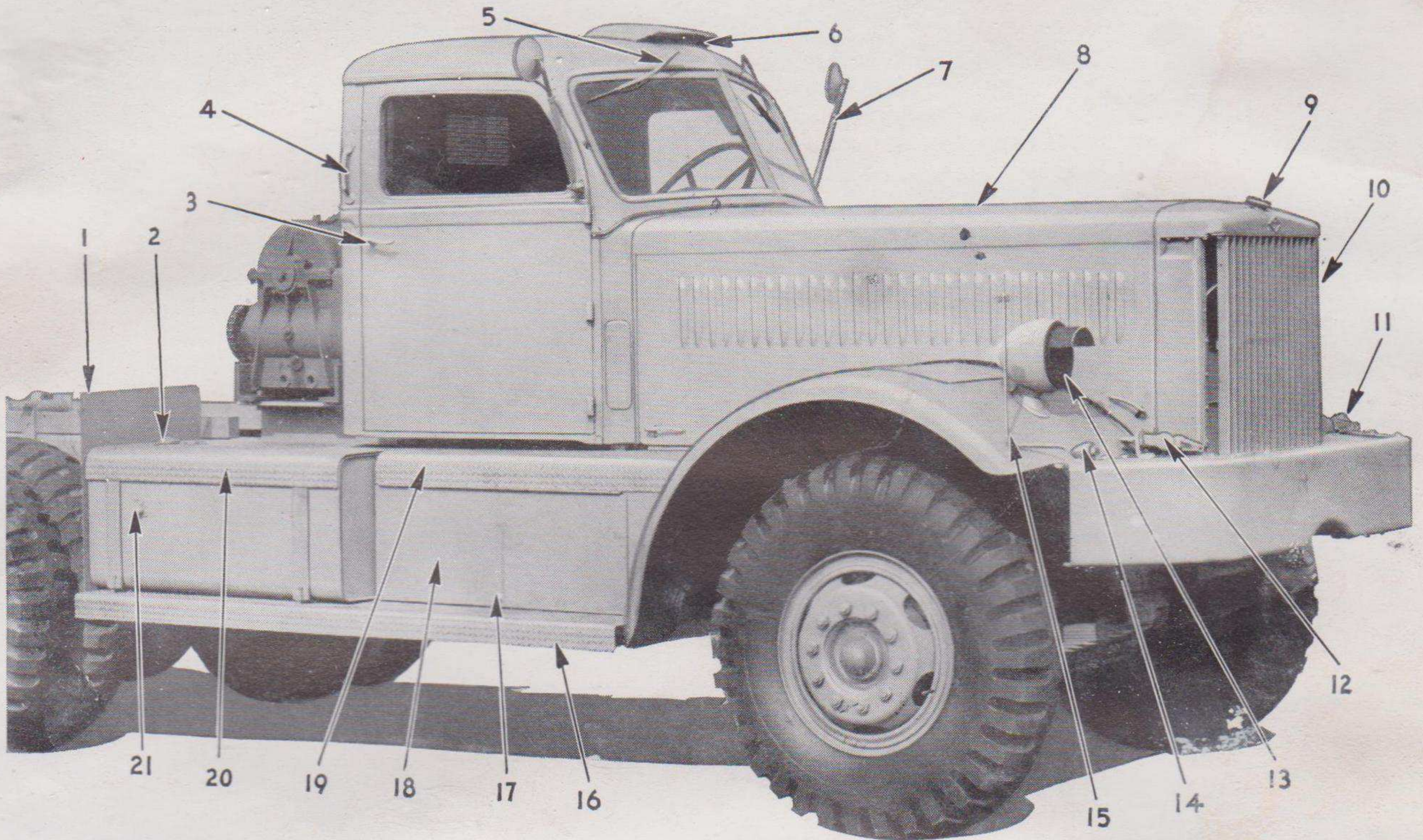
1. Radiator cap	DX-5788	8. Fuel tank filler cap.....	N-3313	15. Battery shield — L.H.	N-6422L
2. Hood assembly	N-13214	9. Fuel tank mud shield.....	N-7388	16. Step board — L.H.	N-14260L
3. Rear view mirror	DX-5877	10. Outlet flange plug.....	DX-611B	17. Front fender iron — rear	N-11310
4. Cab ventilators		11. Fuel tank	N-25207	18. Headlamp bracket	N-17174
5. Cab grab handle	N-2199A	12. Fuel tank shield strap.....	N-6256	19. Brake coupling — L.H.	BB-29134
6. Cab door handle	DX-6055	13. Battery shield door — L.H.	N-3608L	20. Front bumper	N-17138
7. Fuel tank shield top.....	N-4388	14. Battery shield lock and tumbler	DX-5802	21. Black-out marker lamp	DX-5848

Code	Mfr. No.	Description	Order by this Number	Quantity Required
------	----------	-------------	-------------------------	----------------------

18 — BODY

1800 — Cab Assembly

Cab assembly	N-33268C	1
Cab support — rear	N-95465	1
Cab mounting rear stud bolt	N-72251A	2
Cab mounting rear stud bolt nut	N-11311D	2
Cab mounting rear stud bolt plain washer	N-6460D	2
Cab mounting rear stud cotter pin	N-21265E	2
Cab mounting rear cushion	N-4371	1
Cab mounting rear spring	DT-769B	2
Cab sill mounting bolt	N-40251B	2
Cab sill mounting bolt nut	N-12311C	2
Cab sill mounting bolt L.W.	N-7460Z	2
Cab post to cowl bolt	DX-693	6
Cab post to cowl bolt nut	N-11311J	6
Cab post to cowl bolt L.W.	N-7460AE	6
Cab post to cowl bolt plain washer	N-6460N	6
Cab post to cowl insulator felt	DT-3661	2
Cab door assembly R.H. with S.P. glass and hardware less door handles	BB-18401	1
Cab door assembly L.H. with S.P. glass and hardware less door handles	BB-18402	1
Cab door hinge	48401R	6
Cab door rubber bumper	BB-8403	4



1. Fuel tank mud shieldN-7388	8. Hood assemblyN-13214	15. Front fender guideN-1640
2. Fuel tank filler cap.....N-3313	9. Radiator capDX-5788	16. Step board — R.H.N-14260R
3. Cab door handle — R.H.DX-4448B	10. Radiator brush guardN-5469	17. Battery shield lock and tumbler DX-5802
4. Cab grab handleN-2199A	11. Brake coupling — L.H.BB-29134	18. Battery shield door—R.H.N-3608R
5. Windshield arm and extension assembly — R.H.BB-28478	12. Brake coupling — R.H.BB-29134	19. Battery shield — R.H.N-6422R
6. Cab ventilators	13. HeadlampN-15493	20. Fuel tank shield topN-4388
7. Rear view mirrorDX-5877	14. Black-out marker lampDX-5848	21. Outlet flange plugDX-611B

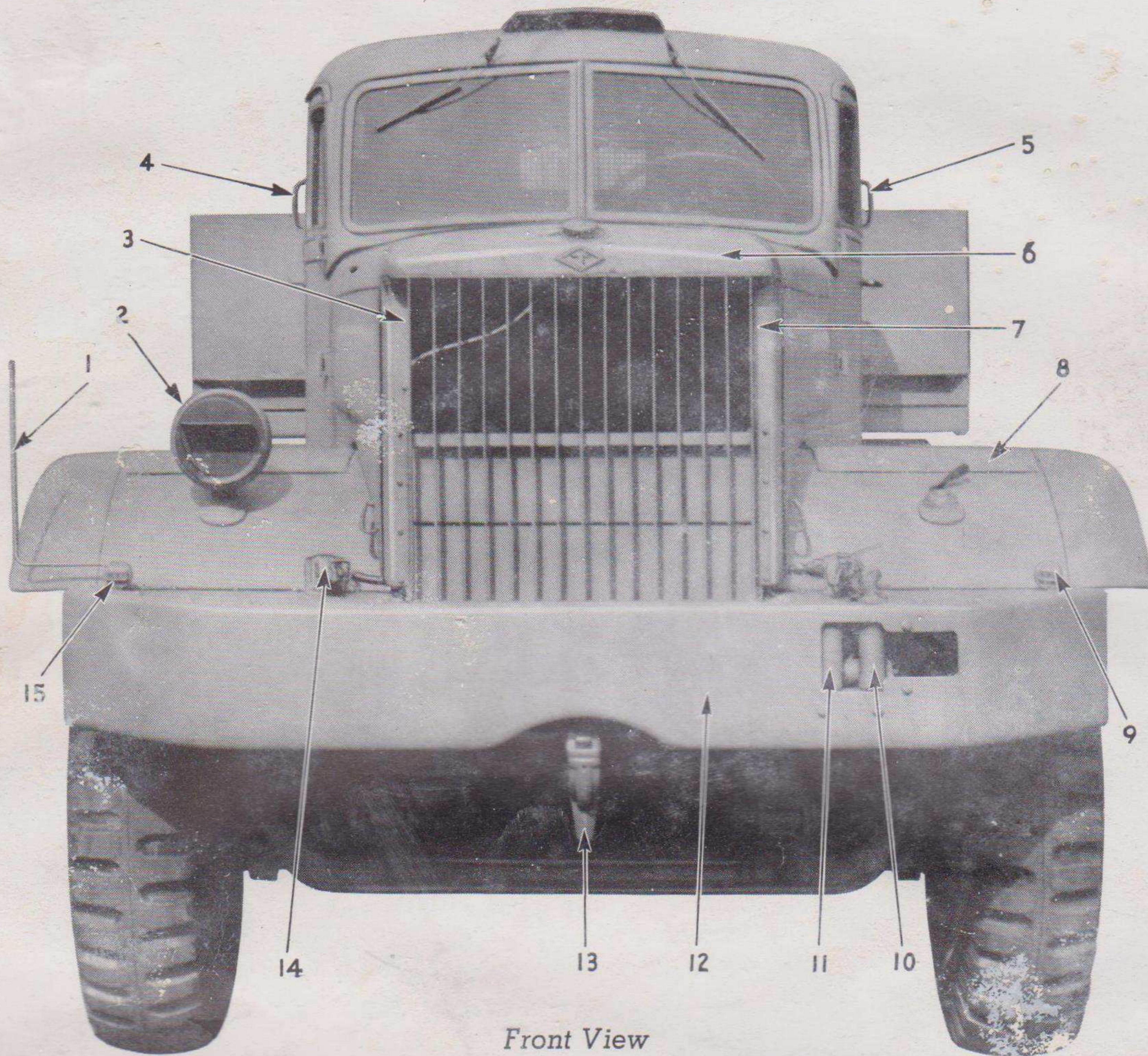
Code	Mfr. No.	Description	Order by this Number	Quantity Required
		Cab door striker (on pillar)	BB-18404	2
		Cab door striker anchor nut	BB-18405	2
		Cab door striker anchor nut retainer	BB-18406	2
		Cab door striker screw and washer	BB-18407	4
		Cab door check	BB-18408	2
		Cab door latch assembly R.H.	BB-18409	1
		Cab door latch assembly L.H.	BB-18410	1
		Cab door window regulator R.H.	BB-18411	1
		Cab door window regulator L.H.	BB-18412	1
		Cab door remote control door latch unit R.H.	BB-18413	1
		Cab door remote control door latch unit L.H.	BB-18414	1
		Cab door remote control link	BB-18415	2
		Cab door remote control handle	BB-18416	2
		Cab door window regulator handle	BB-18417	2
		Cab door window regulator escutcheon	BB-18419	2
		Cab door latch inner panel cam	BB-8410	2
		Cab door garnish moulding R.H.	BB-8414	1
		Cab door garnish moulding L.H.	BB-8452	1
		Cab door garnish moulding escutcheon	BB-8416	2
		Cab door garnish moulding screw (7/8" No. 6).....	BB-8417	20
		Cab door outside handle	DX-6055	2
		Cab door outside handle ferrule	BB-18420	2
		Cab door handle retaining screw	DX-5089	2

Code	Mfr. No.	Description	Order by this Number	Quantity Required
		Cab door glass frame	BB-18418	2
		Cab door glass bailey channel (52½")	BB-8419	2
		Cab door glass bailey channel (27½")	BB-8420	2
		Cab door glass lower channel cam	BB-8421	2
		Cab door glass lower channel screw	BB-8422	8
		Cab door glass lower channel cam washer	BB-8487	8
		Cab door glass lower channel R.H.	BB-8423	1
		Cab door glass lower channel L.H.	BB-8424	1
		Cab door glass weatherstrip	BB-8425	2
		Cab door glass rubber bumper	BB-8426	6
		Windshield frame R.H.	BB-8427R	1
		Windshield frame L.H.	BB-8427L	1
		Windshield frame rubber channel	BB-8428	2
		Windshield frame swing arm	BB-8430	4
		Windshield frame swing arm sleeve	BB-8431	4
		Windshield frame swing arm bracket	BB-8432	4
		Windshield frame swing arm bracket screw	BB-8433	4
		Windshield frame swing arm bracket (on W.S.)	BB-8434	4
		Windshield frame swing arm bracket wing nut	BB-8435	4
		Windshield frame swing arm bracket hinge	BB-8437	4
		Cab door inside panel R.H.	BB-18438	1
		Cab door inside panel L.H.	BB-18439	1
		Cab door inside panel screw	BB-8440	32
		Cab roof with Vee front	BB-8441	1
		Cab rear corner panel R.H.	BB-8442	1
		Cab rear corner panel L.H.	BB-8443	1
		Cab rear center panel	BB-8444	1
		Cab glove compartment	BB-8488	1
		Cab grab handle	N-2199A	2
		Cab grab handle screw (¼" x ¾" oval Hd. M.S.)	N-62251H	8
		Cab grab handle screw nut (¼"-20 Hex. Cad. Plate)	N-16311D	8
		Cab grab handle screw washer (¼" plain)	N-6460L	8
		Cab grab handle screw lockwasher (¼")	N-7460AC	8
HV-202310-Type A		Tri-Master ventilator assy. (Evans Products)	BB-1500	1
HV-200474		Tri-Master ventilator outside shell assy.	BB-1501	1
HV-200478		Tri-Master ventilator outside shell and exhaust pan assy.	BB-1502	1
HV-2721		Tri-Master ventilator filter	BB-1503	1
HV-453		Tri-Master ventilator filter retainer	BB-1504	1
141893		Tri-Master ventilator filter retainer screw	BB-1505	2
HV-802		Tri-Master ventilator exhaust intake seal	BB-1506	1
HV-2255		Tri-Master ventilator rubber mounting gasket	BB-1507	1
HV-2256		Tri-Master ventilator filter sealing rubber	BB-1508	1
HV-200045		Tri-Master ventilator control door assembly	BB-1509	1
HV-200283		Tri-Master ventilator control door frame and hinge assy.	BB-1510	1
HV-2296		Tri-Master ventilator sponge rubber door gasket	BB-1511	1
HV-2488		Tri-Master ventilator sponge rubber center gasket.	BB-1512	1
HV-693		Tri-Master ventilator control door spring clip	BB-1513	4
HV-1327		Tri-Master ventilator control door handle	BB-1514	2
110986		Tri-Master ventilator control door handle and spring mounting screw (8-32 x 5/16")	BB-1515	2
106496		Tri-Master ventilator control door handle and spring mounting screw lockwasher (5/16")	BB-1516	2
HV-2145		Tri-Master ventilator mounting stud	BB-1517	2
131468		Tri-Master ventilator acorn nut	BB-1518	2
		Cab duolite door glass	BB-8463	2
		Cab duolite rear window glass	BB-8465	1
		Cab seat cushion R.H.	BB-18496	1
		Cab seat cushion L.H.	BB-18497	1
		Cab lazy back R.H.	BB-18498	1
		Cab lazy back L.H.	BB-18499	1
		Olive drab inner seal.	BB-8470	2
		Rear window weatherstrip	BB-8479	1

DIAMOND T MOTOR CAR COMPANY

1800
BODY

Code	Mfr. No.	Description	Order by this Number	Quantity Required
		Lower glass channel weatherstrip	BB-8480	2
		Door sealer tee rubber $\frac{9}{16}$ " (5' 4")	BB-8481	1
		Vee shaped rubber door stop	BB-8482	4
		Rear window frame and screen assembly	BB-8483	1
		Finish moulding	BB-8484	1
		Drip moulding	BB-8485	2
		Black concealed type binding $\frac{5}{8}$ " (4 yds.)	BB-8486	1
		Lever escutcheon — front	N-5467	1
		Lever escutcheon draft seal	N-26312	1
		Pedal hold down latch	N-3466	1
		Pedal hold down latch bolt	N-43251C	2
		Pedal hold down latch nut	N-16311B	2
		Pedal hold down latch L.W.	N-7460K	2
		Lever escutcheon — rear	N-4467	1
		Lever escutcheon draft seal	N-25312	1
		Lever escutcheon screw	DX-4256	4
		Toe board	N-26331	1
		Toe board screw	DX-4256	18
		Floor board	N-16259	1
		Floor board screw	DX-4256	8
		Cowl assembly	N-17242	1
		Cowl mounting bracket	N-6386	2
		Cowl mounting bracket rivet	N-2567K	6
		Cowl mounting rear bolt ($\frac{5}{8}$ x $3\frac{1}{4}$ "-18)	N-38251M	2
		Cowl hood lacing	DT-3768C	2
		Cowl hood lacing rivet	DX-4843	18
		Cowl hood lacing rivet rubber washer	N-6168	18
		Cowl hood lacing pin	N-21265K	6
		Cowl ventilator gasket	DT-3997	4
		Cowl ventilator drain hose (10 $\frac{1}{2}$ ")	DX-4112A	1
		Cowl ventilator drain hose clip	N-3565	1
		Cowl insulator	N-5371	2
		Cowl insulator bolt	DX-418GG	4
		Cowl dash insulation	N-1462A	1
		Cowl dash insulation fastener	DX-4533	8
		Cowl grommet	N-13168	1
		Cowl grommet	DX-4987	1
		Cowl grommet	DT-4161E	2
		Cowl hood catch bracket R.H.	N-3387R	1
		Cowl hood catch bracket L.H.	N-3387L	1
		Cowl hood catch bracket bolt	N-60251K	4
		Cowl hood catch bracket bolt nut	N-16311D	4
		Cowl hood catch bracket bolt L.W.	N-7460AC	4
		Cowl mounting rear bolt	N-38251M	2
		Cowl mounting rear bolt washer	DT-444T	2
		Cowl mounting rear bolt nut	N-13311A	2
		Cowl mounting rear bolt cotter pin	N-21265J	2
		Cowl mounting rear bolt insulator	N-3243A	2
		Cowl windshield rubber seal	DT-3722B	1
		Cowl windshield rubber seal screw	DX-4256G	2
		Cowl harness clip — dash	DT-4143AU	1
		Cowl harness clip — dash	DT-4143AV	1
		Cowl harness clip — dash	N-3565	3
		Cowl harness clip bolt	N-60251U	1
		Cowl harness clip bolt nut	N-16311L	1
		Cowl harness clip bolt L.W.	N-7460AC	1
		Cab hardware assembly	DX-6070A	1



Front View

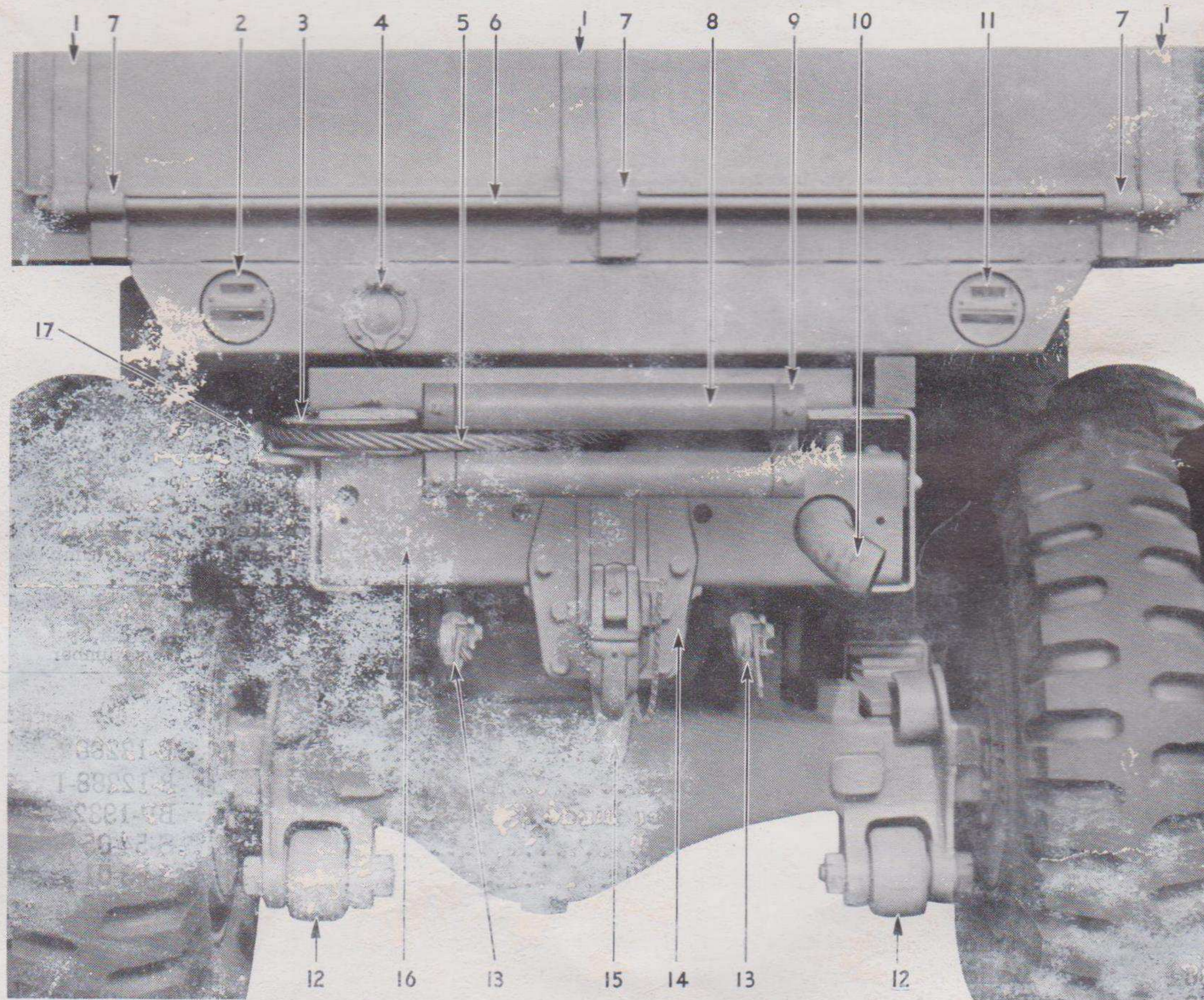
1. Front fender guideN-1640	6. Radiator top tankBB-27401	11. Front bumper rollerN-7498
2. HeadlampN-15493	7. Radiator side member — L.H.....BB-27408	12. Front bumperN-17138
3. Radiator side member — R.H. BB-27407	8. Front fender scuff plate.....N-6178	13. Front parking hookN-2625
4. Cab grab handleN-2199A	9. Black-out marker lampDX-5848	14. Brake coupling — R.H.BB-29134
5. Cab grab handleN-2199A	10. Front bumper roller assembly..N-11498	15. Black-out marker lampDX-5848

Code	Mfr. No.	Description	Qty. by this Part	Quantity Required
1800 — Ballast Body Assembly				
B-12288		Ballast body assembly	B-12288	1
B-12288-1		Ballast body tool box cover	B-12288-1	2
BP-1932		Ballast body tool box cover hinge (54")	BP-1932	2
S-54-05		Ballast body bolt (1/4x5/8"-20)	S-54-05	16
S-63-01		Ballast body bolt nut (1/4"-20)	S-63-01	18
S-46-02		Ballast body bolt L.W. (1/4")	S-46-02	18
		Ballast body tool box hasp and eye		2
BP-2156		Ballast body never stick bolt snap	BP-2156	2
BP-2052		Ballast body railing	BP-2052	2
BP-2058		Ballast body flange	BP-2088	4
72-111		Ballast body bolt (1/4x7/8"-20)	72-111	16
S-63-01		Ballast body hex. bolt (1/4"-20)	S-63-01	16
S-46-02		Ballast body L.W. (1/4")	S-46-02	16
BP-2055		Ballast body spare tire bracket	BP-2055	1
BP-2056		Ballast body spare tire stud	BP-2056	2
BP-2082		Ballast body spare tire nut	BP-2082	2
BP-2084		Ballast body roller assembly	BP-2084	1

DIAMOND T MOTOR CAR COMPANY

1800
BODY

Code	Mfr. No.	Description	Order by this Number	Quantity Required
	BP-2087	Ballast body bearing	BP-2087	1
	BP-2087	Ballast body bearing	BP-2087	1
	13-293	Ballast body Zerk fitting	13-293	2
	S-56-08	Ballast body bolt (3/8x1"-16)	S-56-08	10
	S-46-04	Ballast body bolt L.W. (3/8")	S-46-04	10
	BP-2051	Ballast body tail gate	BP-2051	1
	BP-2063	Ballast body strap hinge — long	BP-2063	3
	BP-2064	Ballast body strap hinge — short	BP-2064	3
	BP-2056	Ballast body hinge shaft	BP-2066	1
	S-48-05	Ballast body plain washer	S-48-05	2
	S-47-04-D	Ballast body cotter pin	S-47-04-D	2
	BP-2065	Ballast body tailgate hook plate	BP-2065	2
	BP-2059	Ballast body tailgate ring holder	BP-2059	2
	BP-2060	Ballast body tailgate lock ring	BP-2060	2
		Ballast body 3/8" common proof chain (20 links) — rubber covered		2
	B-1924	Ballast body hook	B-1924	2
	BP-2070	Ballast body wood sills	BP-2070	2
	BP-2083	Ballast body tie down bracket — lower	BP-2083	10



Rear View

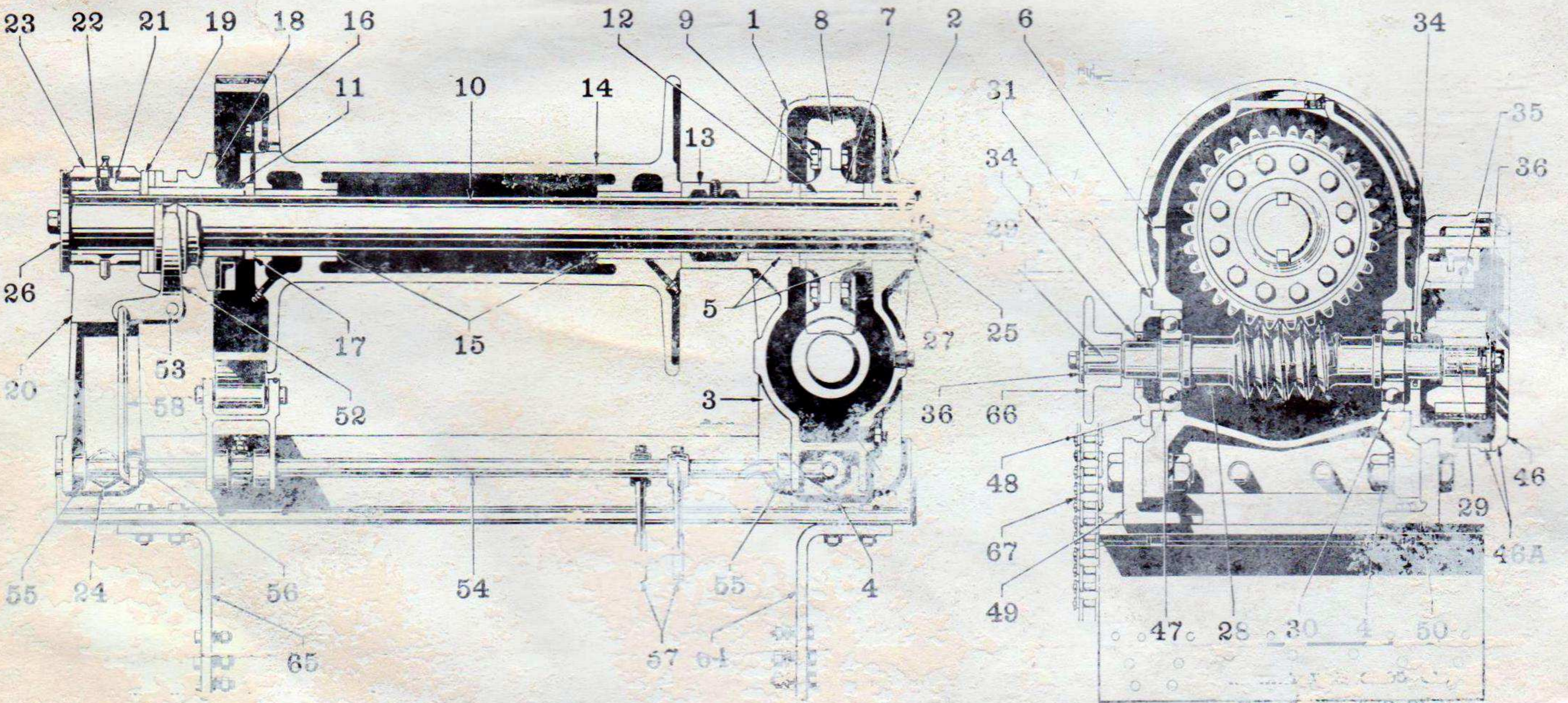
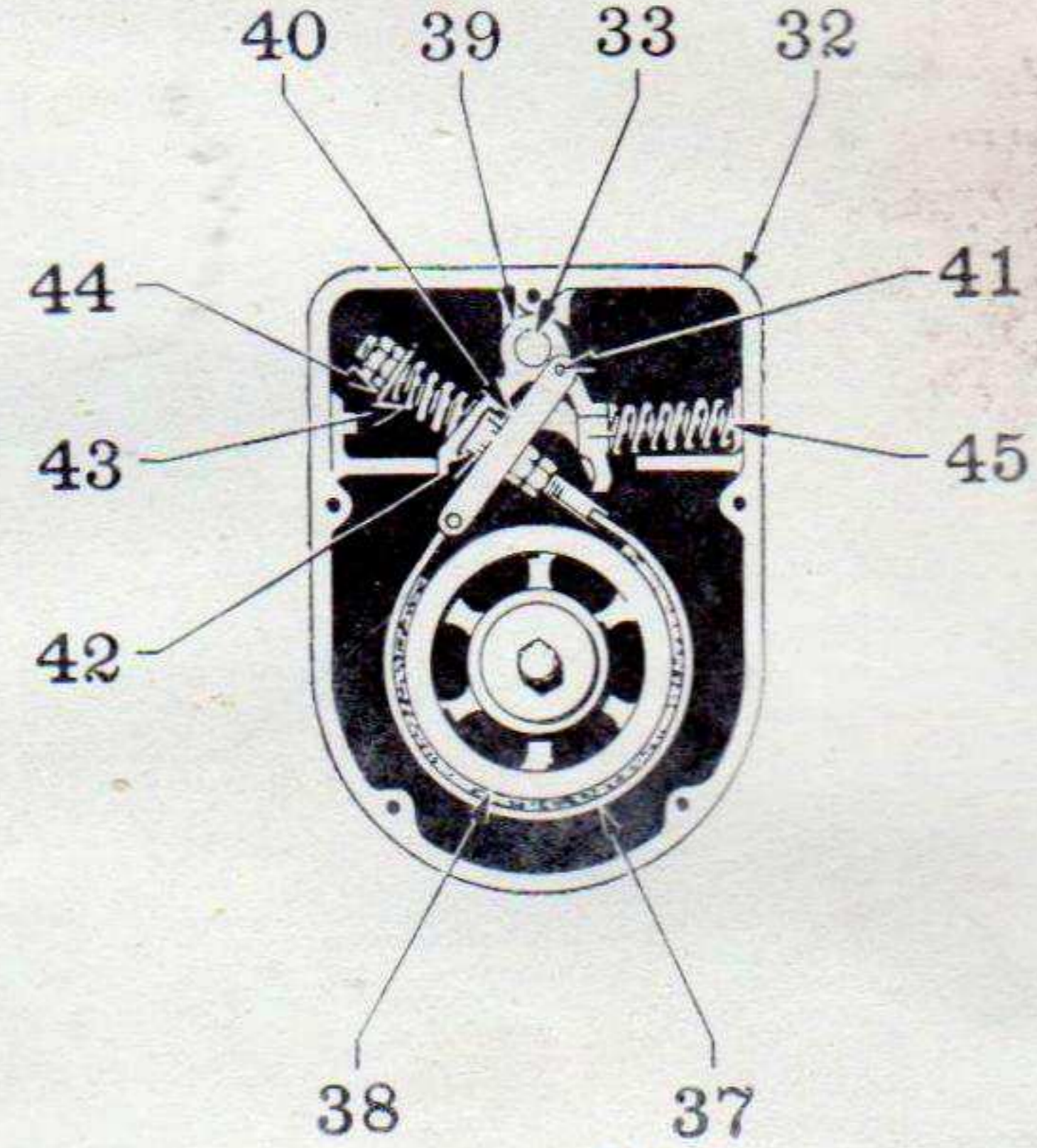
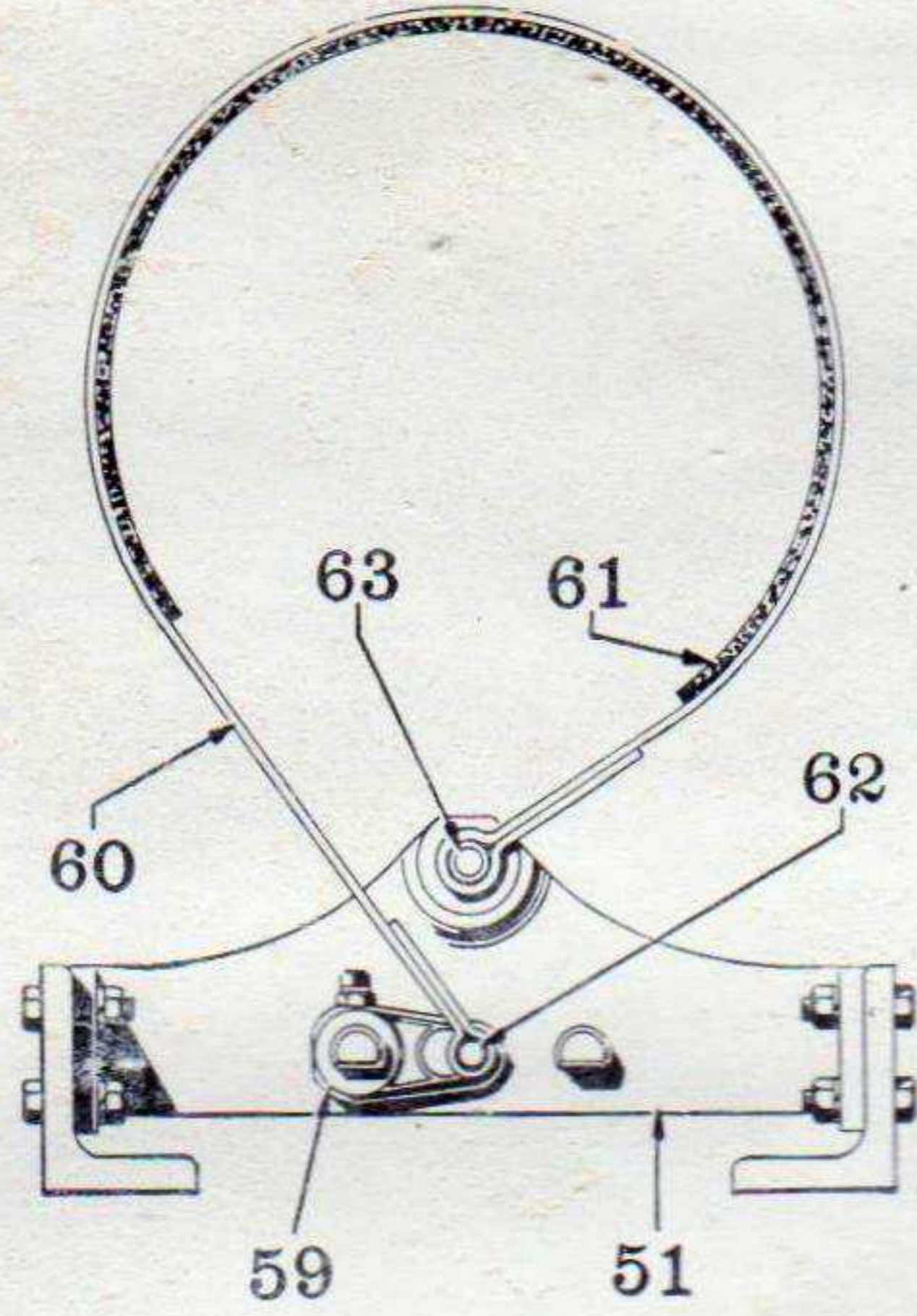
1. Strap hinge — long	BP-2063	6. Hinge shaft	BP-2056	12. Torque rod assembly — lower	BB-27155
2. Black-out stop and tail lamp.....	DX-5847	7. Strap hinge — short	BP-2064	13. Rear brake coupling	BB-29134
3. Towing cable sheave	N-3579	8. Cable roller	N-9498	14. Rear pintle housing bracket.....	BB-27524
4. Trailer socket assembly	DX-5814	9. Cable roller bracket	N-6522	15. Rear pintle hook	DX-5930
5. Winch cable	DX-5938	10. Muffler tail piece — rear	N-20107B	16. Frame rear cross member.....	N-52198
		11. Black-out stop and tail lamp	DX-5847		

Code	Mfr. No.	Description	Order by this Number	Quantity Required
BP-2097		Ballast body tie down bracket — upper	BP-2097	10
S-59-24		Ballast body bolt	S-59-24	10
S-63-07		Ballast body nut	S-63-07	20
S-46-08		Ballast body L.W.	S-46-08	10
S-36-56		Ballast body bolt (3/8x3 1/2"-24)	S-36-56	10
S-43-03		Ballast body hexagon nut (3/8"-24)	S-43-03	10
S-46-04		Ballast body L.W. (3/8")	S-46-04	10
S-45-03		Ballast body plain washer (3/8")	S-45-03	10
S-38-24		Ballast body bolt (1/2x1 1/2-20)	S-38-24	20
S-43-05		Ballast body nut — hex. (1/2"-20)	S-43-05	20
S-46-06		Ballast body L.W. (1/2")	S-46-06	20

1801 — Windshield Wiper Assembly — Dual

FP-638-BM-357-1	Windshield wiper assembly — Dual (Trico) Olive drab	DX-5658A	1
FP-128	Windshield wiper motor	BB-28476	2
SP-1079-2X	Wiper motor repair kit	BB-28490	1
79568-16-ZA	Windshield wiper arm and extension assembly L.H.	BB-28479	1
79567-16-ZA	Windshield wiper arm and extension assembly R.H.	BB-28478	1
L-778-40-ZA	Windshield wiper blade and hook assembly (10")	BB-28492	2
75072-ZA	Windshield wiper arm nut	BB-28474	2
76322-8-ZA	Windshield wiper outer spacer	BB-28482	2
78409-ZA	Windshield wiper holding nut	BB-28481	2
76953-5	Windshield wiper inner spacer	18483J	2
78810	Windshield wiper leather washer	BB-8491	2
75470-5-ZA	Windshield wiper control valve	BB-28485	2
	Windshield wiper air gauge tee to inverted tee line	DX-852-12"	1
	Windshield wiper air gauge tee to inverted tee line loom	DX-4869A-10"	1
	Windshield wiper air gauge tee to inverted tee line nut	DX-3590Z	2
	Windshield wiper air gauge tee to inverted tee line connection	DX-3590Y	1
	Windshield wiper inverted tee	DX-3590AC	1
	Windshield wiper inverted tee to L.H. control valve line	DX-852-13"	1
	Windshield wiper inverted tee to L.H. control valve line loom	DX-4869A-11"	1
	Windshield wiper inverted tee to L.H. control valve line nut	DX-3590Z	2
	Windshield wiper control valve connection L.H.	DX-3590Y	2
	Windshield wiper inverted tee to R.H. control valve line	DX-852-41"	1
	Windshield wiper inverted tee to R.H. control valve line loom	DX-4869A-39"	1
	Windshield wiper inverted tee to R.H. control valve nut	DX-3590Z	2
	Windshield wiper line grommet — cowl top	DX-5726	1
	Windshield wiper line loom R and L.H.	DX-4869D-6"	1
	Windshield wiper control valve connector	DX-3590Y	2
	Windshield wiper control valve connector to R.H. wiper line	DX-852-70"	1
	Windshield wiper control valve connector to R.H. wiper line loom	DX-4869A-26"	1
	Windshield wiper control valve connector to R.H. wiper line nut	DX-3590Z	1
	Windshield wiper control valve connector to L.H. wiper line	DX-852-55"	1
	Windshield wiper control valve connector to L.H. wiper line loom	DX-4869A-26"	1
	Windshield wiper control valve connector to L.H. wiper line nut	DX-3590Z	1
	Windshield wiper R.H. wiper tubing clip — dash	N-3565B	3
	Windshield wiper R.H. wiper tubing clip bolt	N-60251GG	3
	Windshield wiper R.H. wiper tubing clip bolt nut	N-16311L	6
	Windshield wiper R.H. wiper tubing clip bolt L.W.	N-7460AC	6
	Windshield wiper R.H. wiper tubing clip bolt plain washer	N-6460H	3

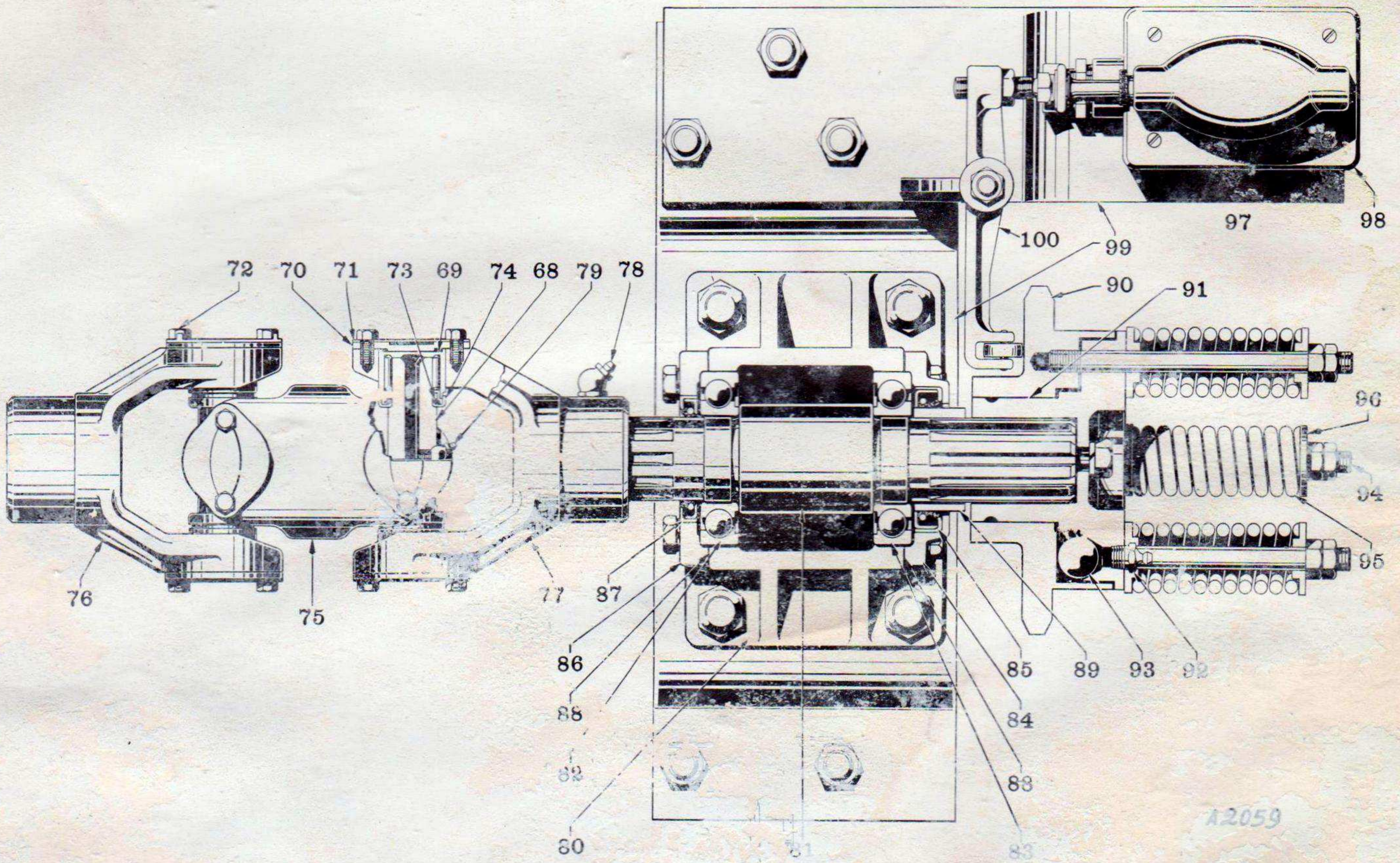
Code	Mfr. No.	Description	Order by this Number	Quantity Required
22Y4542		Winch clutch lever	BB-21756	1
22Y939		Winch operating lever	BB-21757	2
22Y4529		Winch clutch link	BB-21758	1
22Y240A		Winch brake lever	BB-21759	1
22Y4530		Winch brake band assembly	BB-21760	1
12Y4531		Winch brake lining and rivets	BB-21761	1
22Y4532		Winch slack end pin assembly	BB-21762	1



1. Worm gear case	BB-21700	16. Rope clamp	BB-21715	31. Gasket	BB-21730
2. Gear case, upper half	BB-21701	17. Drum thrust ring	BB-21716	32. Brake case	BB-21731
3. Gear case, lower half	BB-21702	18. Sliding clutch	BB-21717	33. Rocker pin	BB-21732
4. Pivot bolt assembly	BB-21703	19. Frame thrust ring	BB-21718	34. Oil seal	BB-21733
5. Gear case bushing	BB-21704	20. End frame assembly	BB-21719	35. Brake case	BB-21734
6. Gear case gasket	BB-21705	21. Frame sleeve with bushing	BB-21720	36. Washer	BB-21735
7. Worm gear spider assembly	BB-21706	22. Frame sleeve bushing	BB-21721	37. Brake band assembly	BB-21736
8. Worm gear—R.H.	BB-21707	23. Frame cap	BB-21722	38. Lining and rivets	BB-21737
9. Spider bolt assembly	BB-21708	24. Pivot bolt assembly	BB-21703	39. Brake rocker assembly	BB-21738
10. Drum shaft assembly	BB-21709	25. Retaining washer	BB-21724	40. Brake end link	BB-21739
11. Clutch key	BB-21710	26. Retaining washer	BB-21725	41. Band end pin assembly	BB-21740
12. Spider key	BB-21711	27. Drum shaft shim	BB-21726	42. Spacer	BB-21741
13. Drum spacer assembly	BB-21712	28. Worm assembly—R.H.	BB-21727	43. Brake spring	BB-21742
14. Drum assembly	BB-21713	29. Worm key	BB-21728	44. Washer	BB-21743
15. Drum bushing	BB-21714	30. Ball bearing (Front)	BB-21729	45. Rocker spring	BB-21744

DIAMOND T MOTOR CAR COMPANY

Code	Mfr. No.	Description	Order by this Number	Quantity Required
	22Y4731	Winch tight end pin assembly	BB-21763	1
	1Y428R	Winch mounting bracket R.H. with bolts and nuts	BB-11732	1
	1Y428L	Winch mounting bracket L.H. with bolts and nuts	BB-11733	1
	25X421-3/4	Winch mounting bracket bolt	BB-11734	8
	5Y791	Winch sprocket	BB-21766	1
	20X62	Winch chain (58")	BB-21767	1
	6Y1491	Winch universal joint	BB-21768	1
	6Y1452-1	Winch universal joint center cross	BB-21769	2
	6Y1452-7	Winch universal joint needle cup assembly	BB-21770	8
	6Y1452-5	Winch universal joint cover plate	BB-21771	8
	6Y1452-6	Winch universal joint lock plate	BB-21772	8
	6Y1449	Winch universal joint cap screw	BB-21773	16



45. Brake case cover	BB-21745	63. Tight end pin assembly	BB-21763	82. Bearing	BB-11702
46a. Brake case with cover	BB-21746	64. Mounting bracket—R.H.	BB-21764	83. Bearing	BB-11702
47. Ball bearing—Rear	BB-21747	65. Mounting bracket—L.H.	BB-21765	84. Bearing cap—large	BB-11704
48. Bearing cap	BB-21748	66. Winch sprocket	BB-21766	85. Oil seal—large	BB-11705
49. Base angle, front	BB-21749	67. Chain, 58"	BB-21767	86. Bearing cap—small	BB-11707
50. Base angle, rear	BB-21750	68. Center cross	BB-21769	87. Oil seal—small	BB-11708
51. Brake anchor assembly	BB-21751	69. Needle cup assembly	BB-21770	88. Cap gasket	BB-11709
52. Clutch shift yoke	BB-21752	70. Cover plate	BB-21771	89. Spacer	BB-11710
53. Shift yoke pin assembly	BB-21753	71. Lock plate	BB-21772	90. Sprocket	BB-21786
54. Operating shaft	BB-21754	72. Capscrew	BB-21773	91. Cam	BB-21787
55. Shift collar	BB-21755	73. Cork oil seal	BB-21774	92. Grease fitting	BB-21788
56. Clutch lever	BB-21756	74. Cork retainer	BB-21775	93. Ball	BB-21789
57. Operating lever	BB-21757	75. Double yoke	BB-21776	94. Stud	BB-21790
58. Clutch link	BB-21758	76. Slip yoke	BB-21777	95. Spring	BB-21791
59. Brake lever	BB-21759	77. Slip yoke	BB-21778	96. Washer	BB-21792
60. Brake band assembly	BB-21760	78. Lubrication fitting	BB-21779	98. Switch box ascy.	BB-21793
61. Lining and rivets	BB-21761	79. Lubrication fitting	BB-21780	99. Support	BB-11737
62. Slack end pin assembly	BB-21762	80. Housing	BB-11700	100. Blocker arm	BB-21795

Code	Mfr. No.	Description	Order by this Number	Quantity Required
6Y1452-3		Winch universal joint cork oil seal	BB-21774	8
6Y1452-4		Winch universal joint cork retainer	BB-21775	8
6Y2301		Winch universal joint double yoke	BB-21776	1
6Y2300		Winch universal joint slip yoke	BB-21777	1
6Y1471		Winch universal joint slip yoke	BB-21778	1
15X1610		Winch universal joint lubricating fitting	BB-21779	2
15X1612		Winch universal joint lubricating fitting	BB-21780	2
6Y2050		Winch outboard bearing assembly	BB-11711	2
6Y2051		Winch outboard bearing housing	BB-11700	1
16X208S		Winch outboard bearing ball bearing	BB-11702	2
6Y2054		Winch outboard bearing shaft assembly	BB-11701	1
7Y2032A		Winch outboard bearing cap, large	BB-11704	1
6Y2055		Winch outboard bearing cap, small	BB-11707	1
29X60725V		Winch outboard oil seal, large	BB-11705	1
29X60497V		Winch outboard oil seal, small	BB-11708	1
7Y2033		Winch outboard bearing cap gasket	BB-11709	2
6Y2057		Winch outboard spacer	BB-11710	1
13Y855A		Winch torque control	BB-11712	1
13Y859		Winch torque control sprocket	BB-21786	1
13Y856		Winch torque control cam	BB-21787	1
14X6 1/2"		Winch torque control grease fitting	BB-21788	1
13Y818		Winch torque control ball	BB-21789	4
13Y841		Winch torque control stud	BB-21790	4
12Y628		Winch torque control spring	BB-21791	4
12Y629		Winch torque control washer	BB-21792	8
13Y865		Winch torque control switch box assembly	BB-21793	1
13Y864A		Switch and bearing support assembly	BB-11737	1
13Y829		Winch torque control rocker arm	BB-21795	1
13Y826A		Winch torque control starter switch	BB-11736	1
18X3210-3/8"		Winch torque control spring spacer	BB-11735	4

1910 — Control Levers and Rods

11Y573	Winch control mounting bracket	BB-11717	1
11Y351E	Clutch hand lever assembly	BB-11718	1
11Y364	Pawl and rod assembly	BB-11719	1
11Y361	Pawl	BB-11720	1
11Y355	Pawl rod end	BB-11721	1
7Y1037	Spring	BB-1732	1
11Y359	Grip latch	BB-11722	1
11Y347	Rivet, grip latch	BB-11723	2
11Y351D	Brake hand lever assembly	BB-11724	1
11Y349	Pawl and rod assembly	BB-11725	1
11Y353	Pawl	BB-11726	1
11Y355	Pawl rod end	BB-11721	1
7Y1037	Spring	BB-1732	1
11Y359	Grip latch	BB-11722	1
11Y347	Rivet, grip latch	BB-11723	2
11Y358	Brake segment	BB-11727	1
11Y362D	Clutch segment	BB-11728	1
11Y575	Clutch lever link assembly	BB-11729	1
9X4-1/2	Rod end pin	BB-11730	2
4Y571	Valve bracket	BB-11731	1
215718	Clutch cylinder	BB-9205	1
	Air cylinder mounting bracket	N-2427	1
	Air cylinder mounting bracket bolt	N-16251H	2
	Air cylinder mounting bracket bolt L.W.	N-7460AB	2
	Air cylinder clutch idler lever	N-14152	1
	Air cylinder clutch idler lever grease fitting ..	N-2568A	1
	Air cylinder felt washer	N-27460	1
	Air cylinder steel washer	N-8460K	1

**1900
WINCH
2101
BUMPER
2200
MISC. BODY
CHASSIS ACCESSORIES**

DIAMOND T MOTOR CAR COMPANY

Code	Mfr. No.	Description	Order by this Number	Quantity Required
		Throttle control	DX-6062	1
		Accelerator idler lever	N-7152	1
		Accelerator idler lever swivel	DT-3843A	1
		Accelerator idler lever swivel bolt	DX-586Y	1
		Air reservoir street ell	DX-533J	1
		Two way valve exhaust plug	N-11566	1
		Two way valve mounting bolt	N-42251D	2
		Two way valve mounting bolt nut	N-12311L	2
		Two way valve mounting bolt L.W.	N-7460G	2
217987		Two way valve	BB-9206	1
215703		Tubing tee	BB-9207	1
220098		Line air strainer	BB-9208	1
		Winch cable — 300'	DX-6076	1

21 — BUMPERS AND GUARDS

2101 — Bumper

Front bumper	N-17138	1
Front bumper rivet — top — rear (1/2x1 1/4")	N-1567F	4
Front bumper rivet — top — front (1/2x1 7/8")	N-2567R	2
Front bumper rivet — top — center (1/2x1 1/2")	N-2567S	4
Front bumper rivet — lower — front (1/2x1 7/8")	N-2567R	2
Front bumper rivet — lower — center (1/2x1 1/2")	N-2567S	4
Front bumper rivet — lower — rear (1/2x2")	N-2567L	4
Front bumper reinforcement	N-91465	2

2103 — Radiator Guard

Radiator brush guard	N-5469	1
Radiator brush guard bolt	N-16251F	6
Radiator brush guard bolt lockwasher	N-7460AB	6
Radiator brush guard bolt plain washer	N-6460F	2

22 — MISCELLANEOUS BODY, CHASSIS AND ACCESSORIES GROUP

2200 — Identification and Caution Plates

Caution name plate — fuel valves	N-31471	1
Caution name plate screw	N-60251Z	4
Caution name plate screw nut	N-16311P	4
Caution name plate screw L.W.	N-7460R	4
Caution name plate — battery	N-22471	1
Caution name plate screw	N-60251Z	4
Caution name plate screw nut	N-16311P	4
Caution name plate screw L.W.	N-7460R	4
Caution name plate — buzzer	N-3471	1
Caution name plate screw	N-60251Z	4
Caution name plate screw nut	N-16311P	4
Caution name plate screw L.W.	N-7460R	4
Shifting name plate	N-20471	1
Shifting name plate screw	N-60251Z	4
Shifting name plate screw nut	N-16311P	4
Shifting name plate screw L.W.	DX-4289D	4
Nomenclature plate	N-23471	1
Nomenclature plate screw	N-60251Z	4
Nomenclature plate screw nut	N-16311P	4
Nomenclature plate screw L.W.	N-7460R	4

**2200
MISC. BODY
CHASSIS ACCESSORIES
2300
STANDARD PARTS**

980 — 6 x 4 — PARTS LIST

Code	Mfr. No.	Description	Order by this Number	Quantity Required
		Service data name plate	N-26471A	1
		Service data name plate screw	N-60251Z	2
		Service data name plate screw nut	N-16311P	2
		Service data name plate screw L.W.	N-7460R	2
		Caution name plate — cooling system	N-21471	1
		Caution name plate screw	N-60251Z	4
		Caution name plate screw nut	N-16311P	4
		Caution name plate screw L.W.	N-7460R	4

2201 — Rear View Mirror

2-8634-DT	Rear view mirror assembly — outside	DX-5877	2
	Rear view mirror assembly screw	DX-4357A	8
3-B-222	Rear view mirror head assembly	BB-18360	1
A-8634	Rear view mirror head arm (5/8" O.D.)	BB-18362	1
B-8634	Rear view mirror head arm housing (3/4" O.D.)	BB-18363	1
137H	Rear view mirror head to arm L.W. (1/4")	DX-4289H	1
C-8634	Rear view mirror head arm universal bracket	BB-18365	1
214-G	Rear view mirror head arm universal bracket stud (3/8x1 3/4"-24)	BB-18366	1
D-8634	Rear view mirror head arm collar set screw (1/4x1/2"-28) ...	BB-18367	1
4A222R	Rear view mirror head arm collar set screw nut (1/4"-28) ..	DX-599E	1
A-8634—B-8634	Rear view mirror head arm and housing	BB-18368	1
214F	Rear view mirror head housing to bracket stud (3/8x1 1/2"-24)	8377R	1
214-I	Rear view mirror head housing bracket — L shape	8376M	1
226-SC	Rear view mirror head housing to bracket stud cap nut (3/8"-24)	8380M	2
214-IE	Rear view mirror head housing to bracket stud cap nut S.P. washer (3/8")	DX-4289K	2
	Rear view mirror assembly — inside ..	DX-5790	1
	Rear view mirror assembly bracket	N-1544	1
	Rear view mirror assembly bracket bolt	N-60251Y	2
	Rear view mirror assembly bracket bolt nut	N-16311H	2
	Rear view mirror assembly bolt L.W.	N-7460T	2

2203 — Speedometer and Parts

	Speedometer head S.W.590X	DX-5998	1
97800—138"	Speedometer cable	DX-5901A	1
97818—138"	Speedometer cable case assembly (138")	BB-28701	1
99503 138"	Speedometer cable casing assembly (138")	BB-28702	1
	Speedometer cable clip	DT-4143BB	2
	Speedometer cable clip	N-3565	1
	Speedometer cable clip band clip	DX-5347	1
98536	Speedometer drive gear	DX-5915	1
98539	Speedometer driven gear	DX-5916	1
78744	Speedometer gear sleeve	DX-5611	1
1370	Speedometer gear bushing	DX 3758	1

23 — GENERAL USE, STANDARDIZED PARTS GROUP

2300 — Miscellaneous Tools, Tire Chains, Extinguishers

3256-C-3	Wheel bearing nut wrench — rear	DX-5940	1
3256-L-12	Wheel bearing nut wrench — front	DX-5941	1
	Starting crank	N-4262	1
18806	Budd wheel wrench	DX-5740	1
44201	Budd wheel wrench handle — 30" long	DX-5741A	1
	Lubricating gun	DX-6080	1

DIAMOND T MOTOR CAR COMPANY

Code	Mfr. No.	Description	Order by this Number	Quantity Required
		Jack	DX-5957	1
		Tool bag	DX-5777	1
		Hammer	DX-5651A	1
		Pliers	DX-5653A	1
		Screw driver	DX-5655A	1
		Adjustable automotive wrench	DX-5648	1
		Crescent type wrench	DX-5647A	1
		Open end wrench (3/8"-7/16")	DX-5927A	1
		Open end wrench (1/2"-19/32")	DX-5927B	1
		Open end wrench (9/16"-11/16")	DX-5927C	1
		Open end wrench (5/8"-25/32")	DX-5927D	1
		Open end wrench (3/4"-7/8")	DX-5927E	1
		Oil can	DX-5776	1
		Oil can holder	N-7505	1
		Oil can holder spring	N-2495	1
		Oil can holder bolt	N-60251S	2
		Oil can holder bolt nut	N-16311K	2
		Oil can holder bolt L.W.	N-7460K	2
		Fire extinguisher	DX-5622	1
		Fire extinguisher bracket — with extinguisher		1
		Fire extinguisher bracket bolt	N-88251A	6
		Tire inflation hose	DX-5961	1
		Tire gauge	DX-5978	1
		Skid pan	SK-2108	2
		Trouble lamp assembly	DX-5964	1
		Trouble lamp bulb	BB-18775	1

2304—Miscellaneous Nuts, Bolts, Screws and Washers

U.S.E. Cap Screws (Fig. 28)

5/16" x 7/8"	DX-109B	4
3/8" x 3/4"	DX-110	24
3/8" x 5/8"	DX-110A	30
3/8" x 1"	DX-112	90
1/4" x 1 1/4"	DX-103	3
1/4" x 1 1/2"	DX-104	1
1/4" x 3/4"	DX-100	1
1/4" x 3/8"	31363J	2
1/4" x 7/8"	DX-101	2
1/4" x 5/8"	DX-105	26
3/8" x 1 1/2"	DX-114	12
3/8" x 1 1/4"	DX-113	12
1/2" x 1 1/4"	DX-133	12
1/2" x 1 1/2"	DX-134	18
1/2" x 1 5/8"	DX-135	10
1/2" x 3 1/4"	DX-142A	4
1/2" x 4 5/8"	DX-142E	22
5/8" x 3 1/2"	DX-164	4
1/2" x 1"	DX-132	4
5/8" x 2"	DX-158	3
5/8" x 1 3/4"	DX-157	2
5/8" x 1 1/2"	DX-156	10
7/16" x 1 1/4"	DX-122	6

S.A.E. Bolts (Fig. 23)

1/4" x 3 1/8"	DX-586SS	2
5/16" x 1 1/4"	DX-582	2
5/16" x 1 5/8"	DX-580	4
3/8" x 3/4"	DX-423A	1
3/8" x 1"	DX-573	2
3/8" x 1 1/2"	DX-439QQ	2

Code	Mfr. No.	Description	Order by this Number	Quantity Required
		3/8" x 1 1/2"	DX-439PP	4
		3/8" x 1 7/8"	DX-586L	3
		5/8" x 1 1/2"	DX-586QQ	4
		3/4" x 2 1/2"	DX-439H	4
Round Head Machine Screws (Fig. 10)				
		10 — 24 x 1/2" — cad.	N-60251G	1
		1/4" — 20 x 1/2" — cad.	N-60251K	9
		1/4" — 20 x 5/8" — cad.	N-60251L	5
		1/4" — 20 x 3/4" — cad.	N-60251M	21
		8 — 32 x 1/2"	N-60251N	3
		10 — 32 x 1/2"	N-60251S	18
		1/4" — 20 x 1"	N-60251U	1
		4 — 36 x 1/2"	N-60251Z	26
		6 — 32 x 3/4" — cad.	N-60251AA	2
		5/16" — 18 x 5/8" — parkerized	N-60251CC	12
		5/16" — 18 x 1" — parkerized	N-60251DD	8
		1/4" — 20 x 1 1/4" — cad.	N-60251GG	5
		1/4" — 20 x 1 3/4" — cad.	N-60251HH	3
		1/4" — 20 x 1" — cad.	N-60251NN	5
		10 — 32 x 3/4" — cad.	N-60251LL	6
		10 — 32 x 1/2"	N-60251K	10
Oval Head Machine Screws				
		1/4" — 20 x 3/4"	N-62251H	8
Carriage Bolts (Fig. 25)				
		3/8" — 16 x 1"	N-72251B	14
		5/8" — 11 x 6 1/2"	N-72251A	2
Flat Head Cap Screws				
		5/16" x 2 1/2" — U.S.S.	DX-693	6
		1/2" x 1" — U.S.S.	DX-692	8
Hexagon Nuts (Fig. 14)				
		1/4" U.S.S.	N-11311A	6
		5/16" U.S.S.	DX-176	55
		5/16" U.S.S.	N-11311J	6
		3/8" U.S.S.	DX-177	148
		3/8" U.S.S.	N-11311B	16
		1/2" U.S.S.	DX-179	45
		1/2" U.S.S.	N-11311C	1
		1/4" S.A.E.	DX-599E	4
		1/4" S.A.E.	N-12311A	79
		5/16" S.A.E.	DX-581	28
		5/16" S.A.E.	N-12311L	27
		3/8" S.A.E.	DX-577	4
		3/8" S.A.E.	N-12311B	124
		7/16" S.A.E.	DX-599C	5
		7/16" S.A.E.	N-12311J	21
		1/2" S.A.E.	DX-1091	39
		1/2" S.A.E.	N-12311C	122
		9/16" S.A.E.	DX-599W	36
		5/8" S.A.E.	DX-1032C	30
		5/8" S.A.E.	N-12311D	14
		3/4" S.A.E.	DX-599B	4
		3/4" S.A.E.	N-12311E	10
S.A.E. Castellated Nuts (Fig. 13)				
		5/16"	DX-586C	2
		3/8"	DX-586D	1
		1/2"	N-13311E	5

Code	Mfr. No.	Description	Order by this Number	Quantity Required
		5/8"	N-13311A	8
		3/4"	N-13311B	5
		1 1/4"	N-13311D	4
S.A.E. Slotted Nuts (Fig. 15)				
		5/16"	DX-188	1
Lockwashers (Fig. 6)				
		3/16"	DX-251	18
		1/8"	DX-250A	4
		1/4"	DX-250	109
		1/4"	N-7460J	4
		1/4"	N-7460AC	167
		5/16"	DX-252	28
		5/16"	DX-253	38
		5/16"	N-7460G	2
		5/16"	N-7460AE	55
		3/8"	DX-254	282
		3/8"	DX-255	9
		3/8"	N-7460AB	175
		7/16"	DX-256	22
		7/16"	DX-257	2
		7/16"	N-7460AD	15
		1/2"	DX-258	95
		1/2"	DX-259	90
		1/2"	N-7460Z	125
		9/16"	DX-260	36
		5/8"	DX-262	41
		5/8"	N-7460Y	17
		3/4"	DX-264	4
		3/4"	N-7460X	18
		1"	DX-269	4
		1 1/4"	N-7460W	10
		6	N-7460Q	2
		8	N-7460N	4
		10	N-7460K	26
		4	N-7460R	22
		12	N-7460T	2
		10 — cad.	N-7460S	10
Plain Washers (Fig. 12)				
		1/4" — cad.	N-6460H	3
		1/4"	DX-552	6
		1/4"	N-6460L	50
		5/16"	DX-553	4
		3/8"	N-6460F	38
		3/8"	N-6460N	6
		5/8"	N-6460D	2
		3/4"	N-6460P	2
Round Head Rivets (Fig. 26)				
		7/16" x 1 3/4"	N-2567X	12
		1/2" x 1 1/2"	N-2567S	18
		1/2" x 1 5/8"	N-2567J	44
		1/2" x 1 3/4"	N-2567K	37
		1/2" x 1 7/8"	DX-485	24
		1/2" x 2"	N-2567L	64
		1/2" x 2 3/4"	N-2567V	8
		5/8" x 1 3/4"	N-2567BB	13
		5/8" x 1 7/8"	N-2567Z	35

Code	Mfr. No.	Description	Order by this Number	Quantity Required
		5/8" x 2"	N-2567Q	6
		5/8" x 2 1/8"	N-2567Y	26
		5/8" x 2 1/4"	N-2567U	2
		5/8" x 2 1/2"	N-2567M	16
		5/8" x 3"	N-2567AA	9
Flat Head Countersunk Rivets (Fig. 27)				
		1/2" x 1 3/8"	N-1567D	4
		1/2" x 1 1/2"	N-1567J	4
		5/8" x 1 1/2"	N-1567H	2
		3/16" x 1/2"		64
U.S.S. Lock Nuts (Fig. 14)				
		1/2"	DX-640	5
S.A.E. Lock Nuts (Fig. 8)				
		7/16"	N-39311A	4
		3/4"	DX-641	1
Steel Balls (Fig. 1)				
		5/16"	Z-05	1
		7/16"	Z-07	29
		1/2"	Z-08	7
		3/4"	Z-12	2
S.A.E. Adjusting Yokes (Fig. 29)				
		1/2"	N-8222A	2
S.A.E. Yoke Pins (Fig. 24)				
		1/2"	N-22265C	16
Pipe Plugs (Figs. 19 and 21)				
		1/8" square head	DX-609	5
		1/4" square head	DX-615	13
		3/8" square head	DX-611B	3
		1/2" square head	DX-611A	1
		3/4" square head	DX-611	17
		1 1/4" square head	DX-611G	4
		1/2" headless	DX-611E	12
		1 1/4" headless	DX-611J	15
2305—Miscellaneous Cotter Pins, Woodruff Keys				
Cotter Pins (Fig. 3)				
		3/64" x 1/2"	DX-223A	3
		1/16" x 1/2"	DX-212A	1
		1/16" x 3/4"	N-21265A	6
		3/32" x 3/4"	DX-212	3
		3/32" x 3/4"	N-21265B	4
		3/32" x 7/8"	N-21265C	15
		3/32" x 1"	DX-213	2
		3/32" x 1"	N-21265E	10
		1/8" x 7/8"	N-21265F	6
		1/8" x 1"	DX-214	4
		1/8" x 1 1/8"	N-21265H	6
		1/8" x 1 1/4"	DX-215	26
		1/8" x 1 1/4"	N-21265J	5
		1/8" x 1 1/2"	DX-215A	4

Code	Mfr. No.	Description	Order by this Number	Quantity Required
		1/8" x 1 3/4"	DX-215B	13
		1/8" x 2 1/4"	DX-214A	3
		1/8" x 2 1/4"	DX-219A	10
		1/8" x 3"	DX-223B	2
		5/32" x 1 1/2"	N-21265U	1
		5/32" x 2 3/4"	DX-218B	8
		5/32" x 3"	DX-221B	4
		3/16" x 1 3/4"	N-21265S	2
		3/16" x 2"	N-21265Q	2
		3/16" x 2"	DX-228	2
		7/32" x 3"	DX-222B	2
		1/4" x 3"	N-21265T	2

Woodruff Keys (Fig. 7)

1/8"	DX-275	1
5/32"	DX-287A	2
3/16"	DX-277	3
3/8"	DX-281	4

Heat Treated Cap Screws

U.S.S. Cap Screws

3/8" x 1 3/4"	N-16251C	2
3/8" x 1"	N-16251F	24
3/8" x 1 1/4"	N-16251B	14
3/8" x 1 3/4"	N-16251A	2
1/2" x 1 1/4"	N-70251B	8
1/2" x 1 1/2"	N-70251A	2

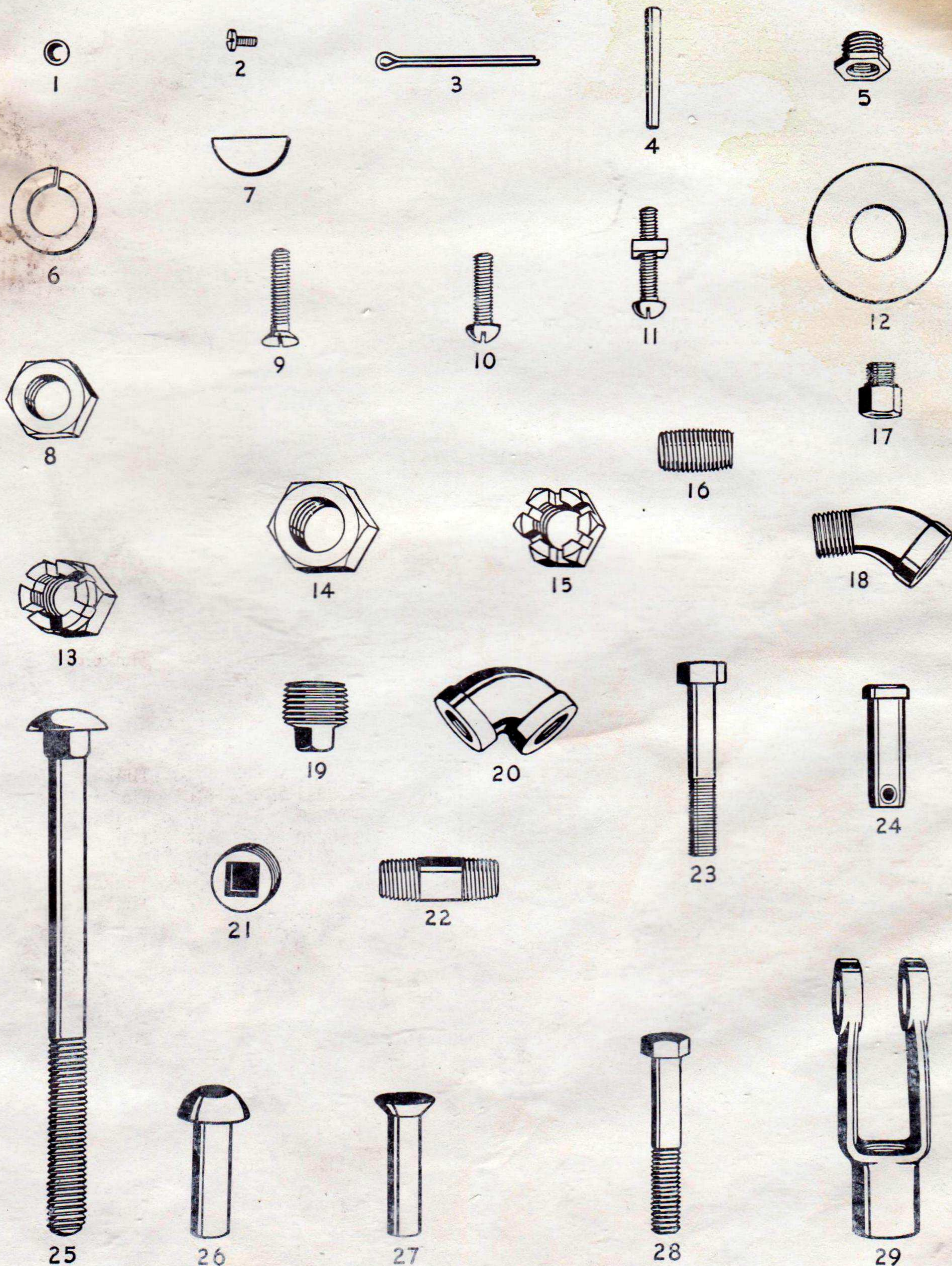
S.A.E. Bolts

1/4" x 1/2"	N-48251J	2
1/4" x 5/8"	N-48251H	73
1/4" x 3/4"	N-48251A	16
1/4" x 1"	N-48251B	6
5/16" x 1/2"	N-42251F	6
5/16" x 7/8"	N-42251B	2
5/16" x 1"	N-42251D	3
5/16" x 1 1/4"	N-42251C	3
3/8" x 3/4"	N-47251E	14
3/8" x 7/8"	N-47251C	8
3/8" x 1"	N-47251D	36
3/8" x 1 1/4"	N-47251A	10
3/8" x 1 1/2"	N-47251B	2
3/8" x 1 3/4"	N-47251K	2
3/8" x 2 1/2"	N-47251J	1
7/16" x 1 1/4"	N-45251C	8
7/16" x 1 3/8"	N-45251D	2
1/2" x 1"	N-40251J	10
1/2" x 1 1/4"	N-40251E	32
1/2" x 1 1/2"	N-40251A	35
1/2" x 1 3/4"	N-40251D	25
1/2" x 2"	N-40251B	2
1/2" x 2 1/2"	N-40251F	1
5/8" x 1 5/8"	N-38251C	4
5/8" x 3"	N-38251F	2
5/8" x 3 3/4"	N-38251G	10
3/4" x 1 3/4"	N-39251K	2
3/4" x 2"	N-39251H	5
3/4" x 2 1/4"	N-39251J	2
3/4" x 2 1/2"	N-39251L	1

BEARINGS

Gov't Code	Major Unit	Type	D. T. Part Number	Manufacturer's Identification	Manufacturer	Qty. Used
0203	CLUTCH — Release	Ball	BB-22045	CWY-88	Bearings Co. of America	1
0205	Pilot	Ball	DX-5948	ND-7506	New Departure	1
0601	GENERATOR — Armature commutator end	Ball	37962M	ND-8503	New Departure	1
0601	Armature drive end	Ball	27962M	ND-1305	New Departure	1
0503	WATER PUMP — Bearing	Ball	BB-23761	ND-8508	New Departure	1
0503	Bearing	Ball	BB-23765	ND-8507	New Departure	1
0503	FAN ASSEMBLY — Fan hub cone	Roller	16311W	366	Timken	2
0503	Fan hub cup	Roller	16309W	363	Timken	2
0703	TRANSMISSION — Main drive gear	Ball	BB-22115	311MFG	Marlin-Rockwell	1
0703	Mainshaft pilot	Ball	BB-22126	BS-1307B	Bower	1
0703	Mainshaft — rear	Ball	BB-22129	312SG	Marlin-Rockwell	1
0703	Countershaft — front	Ball	BB-22158	309MF	Marlin-Rockwell	1
0703	Countershaft — rear	Ball	BB-22159	310MFG	Marlin-Rockwell	1
0703	Reverse idler gear	Roller	BB-22171	95732	Hyatt	1
0802	AUXILIARY TRANSMISSION — Main drive gear — outer	Ball	BB-22252	311S	Marlin-Rockwell	1
0802	Main drive gear — inner	Ball	BB-22129	312SG	Marlin-Rockwell	1
0802	Mainshaft pilot	Ball	BB-22262	308M	Marlin-Rockwell	1
0801	Mainshaft — rear	Ball	BB-22276	MRC-313M (ND-1313)	Marlin-Rockwell	1
0803	Countershaft	Ball	BB-22252	311S	Marlin-Rockwell	1
0809	POWER TAKE-OFF — Output shaft	Ball	BB-22262	308M	Marlin-Rockwell	2
0809	Intermediate shaft	Roller	BB-22171	95732	Hyatt	2
0902	PROPELLER SHAFT — Front shaft journal	Needle	17180J	K6-6-58X	Spicer	8
0902	Rear shaft journal	Needle	17180J	K6-6-58X	Spicer	8
0902	Inter axle shaft journal	Needle	27180F	K5-6-78X	Spicer	8
1006	FRONT AXLE — Steering knuckle thrust	Roller	BB-25120	T163	Timken	2
1301	FRONT WHEEL — Cone — inner	Roller	15890M	6379	Timken	2
1301	Cone — outer	Roller	15891M	537	Timken	2
1301	Cup — inner	Roller	6043C	6320	Timken	2
1301	Cup — outer	Roller	46632F	532A	Timken	2
1105	REAR AXLE — Differential bearing cone	Roller	BB-26210	683	Timken	4
1105	Differential bearing cup	Roller	BB-26211	672	Timken	4
1105	Spur pinion cone	Roller	BB-26229	641	Timken	4
1105	Spur pinion cup	Roller	BB-26230	632D	Timken	2
1105	Spur pinion and bevel gear bearing	Ball	BB-26241	U-1221-TM	Hyatt	2
1105	Thru shaft cone	Roller	BB-26246	7485	Timken	2
1105	Thru shaft cone	Roller	56620J	636	Timken	2
1105	Thru shaft cup	Roller	16888J	742	Timken	2
1105	Thru shaft cup	Roller	56621J	632	Timken	2
1301	REAR WHEEL — Cone — inner	Roller	16890J	759	Timken	4
1301	Cone — outer	Roller	16887J	749	Timken	4
1301	Cup — inner	Roller	16892J	752	Timken	4
1301	Cup — outer	Roller	16888J	742	Timken	4
1205	AIR COMPRESSOR	Ball	BB-29280	307	New Departure Marlin-Rockwell Fafnir Brg. Co. SKF	2
1403	STEERING GEAR — Jacket tube unit	Ball	24311J	267340	Saginaw Steering Gear	1
1403	Cam lever shaft stud roller unit	Roller	BB-4129	A11070	Timken	2
1900	WINCH — Worm — front	Ball	BB-21729	412M	Marlin-Rockwell	1
	Worm — rear	Ball	BB-21747	7412	Marlin-Rockwell	1
	Outboard	Ball	BB-11702	208S	Marlin-Rockwell	2

STANDARD BOLTS, NUTS, KEYS, ETC.



ALPHABETICAL INDEX

A	Group
Accelerator and Throttle.....	0303
Adapter, Engine Starting Burner Nozzle.....	0108
Adapter, Tachometer.....	0605
Adjuster, Brake Slack.....	1203
Air Brake Tank, Compressor, Governor and Valves.....	1205
Air Cleaner Assy., Engine.....	0301
Air Compressor.....	1205
Air Intake Manifold, Engine.....	0108
Alemite, Clutch Release Bearing.....	0203
Ammeter, Instrument.....	0605
Anchor, Brake Pedal Pull Back Spring.....	1204
Anchor, Clutch Pedal Pull Back Spring.....	0204
Angle, Hood.....	1704
Angle, Winch Base.....	1900
Angle, Winch Mounting.....	1500
Anti-Squeak, Fuel Tank.....	0300
Arm, Air Brake Valve Rocker.....	1205
Arm, Disc Brake Shoe Lever.....	1201
Arm, Generator Brush.....	0601
Arm, Starting Motor Switch Push Button Release.....	0602
Arm, Steering.....	1006
Arm, Steering Cross Tube.....	1006
Arm Assy., Valve Rocker.....	0105
Armature, Current Regulator.....	0601
Armature, Cutout Relay.....	0601
Armature, Generator.....	0601
Armature, Starting Motor.....	0602
Armature, Voltage Regulator.....	0601
Auxiliary Transmission Assy.....	0800
Auxiliary Transmission Countershaft, Gears and Bearings.....	0803
Auxiliary Transmission Drive Gear Shaft and Bearings.....	0802
Auxiliary Transmission Shifting Yokes, Shafts and Control Levers.....	0805

B	Group
Ball, Air Pressure Safety Valve.....	1205
Ball, Auxiliary Transmission Shifting Lever.....	0805
Ball, Auxiliary Transmission Shifting Rail Steel.....	0805
Ball, Clutch Release Sleeve Fulcrum Ring.....	0203
Ball, P. T. O. Shifting Fork Locating.....	0809
Ball, Steering Arm.....	1006
Ball, Torque Rod.....	1100
Ball, Transmission Fork Rail Interlock.....	0706
Ball, Transmission Fork Rail Lock.....	0706
Ball, Transmission Gear Shift Lever.....	0706
Band, Winch Brake.....	1900
Bar, Auxiliary Transmission Low Speed Shifting.....	0802
Bar, Hood Hinge Locking.....	1704
Bar, Radiator Header.....	0501
Bar and Block Assembly, Auxiliary High Speed Shifting.....	0802
Base, Vibrator Horn.....	0609
Base, Voltage Regulator.....	0601
Battery, Starter Cables and Connectors.....	0610
Bearing, Air Compressor.....	1205
Bearing, Auxiliary Transmission Countershaft.....	0803
Bearing, Auxiliary Transmission Main Drive Gear.....	0802
Bearing, Auxiliary Transmission Main Shaft.....	0802
Bearing, Auxiliary Transmission Main Shaft Pilot.....	0802
Bearing, Clutch Pilot.....	0205
Bearing, Clutch Release.....	0203
Bearing, Engine Camshaft Center.....	0106
Bearing, Engine Camshaft Front.....	0106
Bearing, Engine Camshaft Intermediate.....	0106
Bearing, Engine Connecting Rod.....	0104
Bearing, Engine Center Main.....	0102
Bearing, Engine Front Main.....	0102
Bearing, Engine Intermediate Main.....	0102
Bearing, Engine Rear Main.....	0102
Bearing, Generator Ball.....	0601
Bearing, Power Take-off.....	0802
Bearing, Rear Axle Spur Pinion and Bevel Gear.....	1105
Bearing, Steering Gear.....	1403
Bearing, Steering Knuckle Pin Thrust.....	1006
Bearing, Steering Tie Rod End Stud and.....	1402
Bearing, Transmission Countershaft.....	0703
Bearing, Transmission Countershaft Rear.....	0703
Bearing, Transmission Main Drive Gear.....	0703
Bearing, Transmission Mainshaft.....	0703

	Group
Bearing, Transmission Mainshaft Pilot.....	0703
Bearing, Transmission Reverse Idler.....	0703
Bearing, Water Pump.....	0503
Bearing, Winch.....	1900
Bearings and Caps, Crankshaft.....	0102
Bearing Assembly, Universal Joint Journal.....	0902
Bell, Auxiliary Transmission Shifting Lever.....	0805
Bell, Transmission Gear Shift Lever.....	0706
Belt, Fan.....	0503
Bezel Assembly, Instrument.....	0605
Bezel Assembly, Instrument Ammeter.....	0605
Bezel Assembly, Oil Pressure Gauge.....	0107
Blackout Stop and Tail Lamp.....	0608
Blade, Fan.....	0503
Blade, Starting Motor Switch Contact.....	0602
Blade, Windshield Wiper.....	1801
Block, Air Compressor Cylinder.....	1205
Block, Engine Cylinder.....	0101
Block, Junction.....	0600
Board, Floor.....	1800
Board, Step.....	1703
Board, Toe.....	1800
Body.....	1800
Body, Air Brake Hand Control Valve.....	1205
Body, Air Brake Low Pressure Indicator.....	1205
Body, Air Pressure Safety Valve.....	1205
Body, Blackout Stop and Tail Lamp Unit.....	0608
Body, Brake Slack Adjuster.....	1203
Body, Engine Oil Filler.....	0107
Body, Oil Pump.....	0107
Body, Oil Pressure Regulator.....	0107
Body, Relay Valve.....	1205
Body, Stop Light.....	1205
Body, Water Pump.....	0503
Body Assembly, Blackout Marker Lamp.....	0607
Body Assembly, Headlamp.....	0607
Body with Valve, Fuel Nozzle.....	0302
Boot, Air Brake Chamber.....	1207
Bowl, Air Cleaner Lower.....	0108
Bowl, Engine Air Cleaner.....	0301
Brace, Hood.....	1704
Bracket, Accelerator Bell Crank.....	0303
Bracket, Air Brake Valve.....	1205
Bracket, Air Compressor.....	0101
Bracket, Air Hose Coupling Frame.....	1206
Bracket, Air Reservoir Tank.....	1205
Bracket, Auxiliary Transmission.....	0301
Bracket, Auxiliary Control.....	0701
Bracket, Battery Cable.....	0610
Bracket, Body Mounting.....	1500
Bracket, Chain Idler Support.....	0106
Bracket, Cowl Hood Catch.....	1800
Bracket, Cowl Mounting.....	1500
Bracket, Disc Brake.....	1201
Bracket, Engine Valve Rocker Arm Shaft.....	0105
Bracket, Fan Mounting.....	0503
Bracket, Front Brake Camshaft.....	1203
Bracket, Fuel Filter Mounting.....	0302
Bracket, Fuel Pump.....	0302
Bracket, Fuel Strainer and Solenoid.....	0302
Bracket, Gate Valve.....	0304
Bracket, Headlamp.....	0607
Bracket, Instrument Mounting.....	0605
Bracket, Muffler Tail Pipe.....	0402
Bracket, Oil Filter.....	0107
Bracket, Oil Pressure Gauge Mounting.....	0107
Bracket, Pedal Shaft.....	1212
Bracket, Power Take-off Shift Lever.....	0809
Bracket, Rear Brake Camshaft and Diaphragm.....	1203
Bracket, Rear Engine Support.....	1500
Bracket, Spare Tire Carrier.....	1800
Bracket, Starting Motor Switch.....	0602
Bracket, Steering Column Dash.....	1405
Bracket, Steering Gear Frame.....	1405
Bracket, Tandem Unit.....	1500
Bracket, Tandem Unit Cross Member.....	1500
Bracket, Towing Cable Roller.....	1501
Bracket, Vibrator Horn Mounting.....	0609

ALPHABETICAL INDEX — Continued

	Group		Group
Bracket, Winch Cable	1500	Carrier, Clutch Release Bearing.....	0203
Brake Assembly, Disc	1201	Carrier Assembly, Differential	1103
Brake Cross Shaft	1212	Cartridge, Rear Spring Seat Connecting Tube Oil.....	1100
Brake Lines, Pipes, Hoses.....	1203	Case, Air Compressor Crank	1205
Brake Pedal	1204	Case, Air Governor	1205
Brake Shoes and Facings.....	1202	Case, Auxiliary Transmission	0801
Brake Shoe Support, Guide, Springs, Adjusting Pins and Anchor Plate	1203	Case, Differential	1103
Brake Tube Clips, Brackets and Springs.....	1206	Case, Fuel Filter	0302
Breaker, Dual Horn Relay Circuit.....	0609	Case, Power Take-off	0809
Breaker, Starter Switch and Motor Circuit.....	0602	Case, Transmission	0701
Breather Assembly, Air Compressor.....	0101	Case Assembly, Fuel Strainer.....	0302
Brush, Generator	0601	Case Assembly, Oil Filter.....	0107
Brush, Starting Motor.....	0602	Casing and Ferrule, Tachometer.....	0605
Bulb, Blackout Marker Lamp.....	0607	Catch, Hood Fastener	1704
Bulb, Headlamp Main	0607	Catch, Radiator Hood Side Fastener	0504
Bulb, Instrument Panel Light.....	0605	Center Assembly, Front Axle.....	1001
Bumper, Front	2101	Center Bolt, Spring.....	1601
Bumper, Front Spring Spacer.....	1602	Chain, Front Bumper Roller.....	1501
Bushing, Air Brake Chamber Equalizer.....	1207	Chain, Fuel Pump Drive.....	0106
Bushing, Air Brake Low Pressure Indicator.....	1205	Chain, Pintle Hook	1502
Bushing, Auxiliary Transmission Main Shaft Gear.....	0802	Chain, Winch	1900
Bushing, Blackout Stop and Tail Lamp Plug.....	0608	Chamber, Air Brake	1207
Bushing, Brake Pedal	1204	Clamp, Air Compressor Exhaust Nipple Hose.....	0505
Bushing, Chain Idler Eccentric.....	0106	Clamp, Air Brake Hand Control Valve.....	1205
Bushing, Clutch Pedal	0204	Clamp, Fuel Nozzle	0302
Bushing, Engine Valve Rocker Arm.....	0105	Clamp, Fuel Pump Drive Chain Adjusting.....	0106
Bushing, Front Brake Camshaft Bracket.....	1203	Clamp, Fuel Pump Fuel Line	0302
Bushing, Front Brake Shoe.....	1203	Clamp, Radiator Hose	0504
Bushing, Fuel Pump Drive Shaft Sleeve and.....	0106	Clamp, Thermostat Bypass Tube Hose.....	0505
Bushing, Light Switch	0606	Clamp, Water Pump Discharge Hose.....	0107
Bushing, Rear Axle Housing Breather Nipple Reducing.....	1101	Clip, Air Brake Line	1207
Bushing, Rear Brake Shoe	1203	Clip, Battery Cable	0610
Bushing, Rear Brake Spider	1203	Clip, Cowl Harness	1800
Bushing, Rear Spring Seat	1100	Clip, Flame Thrower Line	0302
Bushing, Relay Valve	1205	Clip, Front and Rear Spring.....	1602
Bushing, Steering Column Bracket	1405	Clip, Fuel Line	0304
Bushing, Steering Gear	1403	Clip, Fuel Line Band	0304
Bushing, Steering Knuckle	1006	Clip, Fuel Line Dash.....	0302
Bushing, Torque Rod Ball	1100	Clip, Fuel Pressure Gauge Line	0302
Bushing, Transmission Mainshaft 2nd Speed Gear.....	0702	Clip, Generator Regulator Cable	0601
Bushing, Transmission Mainshaft 3rd Speed Gear.....	0702	Clip, Headlamp Wire	0607
Bushing, Transmission Reverse Gear	0702	Clip, Oil Gauge Flexible Line to Compressor.....	0107
Bushing, Transmission Reverse Gear and.....	0702	Clip, Oil Gauge Line Frame.....	0605
Bushing Set, Engine Main Bearing.....	0102	Clip, Tachometer Cable	0605
Button, Starting Motor Switch Push.....	0602	Clip, Throttle Control	0605
Button, Steering Wheel Horn	1404	Clip, Throttle Rod Control.....	0303
Buzzer, Air Brake Low Pressure Indicator	1205	Clutch Assembly	0200
C			
Cab Assembly	1800	Clutch, Auxiliary Transmission Mainshaft High Speed Shifting.....	0802
Cable, Battery	0610	Clutch, Auxiliary Transmission Mainshaft Low Speed Shifting.....	0802
Cable, Generator to Regulator.....	0601	Clutch Disc	0201
Cable, Pressure Switch to Coil	0108	Clutch Pedal	0204
Cable, Spark Coil High Tension.....	0108	Clutch Pilot Bearing.....	0205
Cable, Speedometer	2203	Clutch Pressure Plate.....	0202
Cable, Starting Motor Solenoid Switch Connector.....	0602	Clutch, Tachometer Case and	0605
Cable, Tachometer	0605	Clutch, Transmission Main Shaft Sliding.....	0702
Cable, Winch	1910	Cock, Air Brake Coupling Cut-Out.....	1209
Cable and Terminal, Steering Wheel Horn Button.....	1404	Cock, Air Reservoir Tank Drain	1205
Cage, Rear Axle Spur Pinion Bearing.....	1105	Cock, Engine Drain	0101
Cam and Wheel Tube, Steering Gear.....	1403	Cock, Fuel Filter Vent.....	0302
Camshaft, Bearings and Timing Gears, Engine.....	0106	Cock, Radiator Drain	0504
Camshaft, Engine	0106	Cock, Water Pump Drain.....	0505
Camshaft, Front Brake	1203	Coil, Spark	0108
Camshaft, Rear Brake	1203	Collar, Front Brake Camshaft.....	1203
Cap, Auxiliary Transmission Countershaft Bearing.....	0803	Collar, Throttle Rod Control.....	0303
Cap, Engine Center Main Bearing.....	0102	Combustion Liner, Engine Cylinder Block.....	0101
Cap, Engine Front Main Bearing	0102	Compressor, Air	1205
Cap, Engine Intermediate Main Bearing.....	0102	Condensor, Generator	0601
Cap, Engine Oil Filler.....	0107	Condensor, Voltage Regulator	0601
Cap, Engine Rear Main Bearing.....	0102	Cone, Differential Bearing	1105
Cap, Front Hub	1302	Cone, Differential Thru Shaft Bearing.....	1105
Cap, Fuel Tank Filler.....	0300	Cone, Fan Hub Bearing	0503
Cap, Radiator	0501	Cone, Rear Axle Spur Pinion Bearing.....	1105
Cap, Universal Joint Journal Bearing.....	0901	Cone, Wheel Bearing	1301
Cap, Universal Joint Sleeve Yoke Dust.....	0902	Connecting Rods and Bearings, Engine.....	0104
Cap and Loom, Blackout Stop and Tail Lamp.....	0608	Connection, Air Compressor Water Line.....	0505
		Connection, Air Governor Body	1205
		Connection, Transfer Pump Flexible Line.....	0302
		Connector, Air Brake Front Axle Chamber.....	1209

ALPHABETICAL INDEX — Continued

	Group		Group
Connector, Blackout Marker Lamp	0607	Disc, Generator Drive Flexible	0601
Connector, Engine Terminal	0108	Door, Battery Shield	1703
Connector, Flame Thrower Line	0302	Door Assembly, Blackout Marker Lamp	0607
Connector, Fuel Filter Line Inverted	0304	Door, Blackout Marker Stop and Tail Lamp	0608
Connector, Fuel Pressure Gauge Line	0302	Dowel, Crankshaft Flywheel	0102
Connector, Gate Valve Line	0304	Dowel, Cylinder Block Gear Cover	0101
Connector, Gate Valve to Injector Line	0304	Dowel, Cylinder Block Oil Pump Attaching	0101
Connector, Oil Gauge Flexible Line	0107	Dowel, Differential Carrier	1103
Contact, Blackout Stop and Tail Lamp Plug Bushing	0608	Dowel, Engine Connecting Rod Cap	0104
Control, Throttle	0605	Dowel, Engine Rear Main Bearing Thrust Flange	0101
Control, Winch Torque	1900	Dowel, Engine Torque Arm Support	0101
Control, Winch Throttle	1910	Dowel, Oil Pump Rear Cover	0101
Control Assembly, Auxiliary Transmission	0802	Dowel, Rear Axle Shaft	1100
Control Levers and Rods, Winch	1910	Dowel, Torque Rod End Pin	0701
Core and Header, Radiator	0501	Dowel, Transmission Housing and Case	1105
Cork, Rear Spring Seat	1100	Drive Gears and Bushings, Differential	1102
Coupling, Air Brake	1209	Drive Shafts	1302
Coupling, Generator Drive	0601	Drum, Wheel Brake	1900
Coupling, Voltage Regulator Terminal	1205		
Cover, Air Brake Low Pressure Indicator	0801	E	
Cover, Air Governor	0801	Elbow, Air Compressor Lubrication Tube	0101
Cover, Auxiliary Transmission Control	0805	Elbow, Clutch Release Bearing Oil Pipe	0302
Cover, Auxiliary Transmission Power Take-off Opening	1203	Elbow, Flame Thrower Line	0304
Cover, Auxiliary Transmission Shifting Rail Ball Spring	1103	Elbow, Fuel Filter Line Connector	0302
Cover, Brake Slack Adjuster	1105	Elbow, Fuel Pump Drain Tube	0302
Cover, Differential Thru Shaft Bearing	0101	Elbow, Fuel Strainer	0108
Cover, Engine Cylinder Head	0101	Electrode, Ground	0108
Cover, Engine Gear	0109	Electrode, Starter Burner High Tension	0301
Cover, Engine Starter Hole	0105	Element, Engine Air Cleaner Filter	0107
Cover, Engine Valve Tappet	0300	Element, Engine Oil Filter	0302
Cover, Fuel Tank Shield Gauge Unit	0107	Element, Fuel Filter	0302
Cover, Oil Filter Case	0107	Element Assembly, Fuel Strainer	0805
Cover, Oil Pump	0809	End, Auxiliary Transmission Shifting Rail Eye Rod	1201
Cover, Power Take-off Bearing	0809	End, Emergency Lever Pawl and Rod	0300
Cover, Power Take-off Breather Pipe	0701	End, Fuel Tank Shield Strap	1402
Cover, Power Take-off Opening	1205	End, Steering Tie Rod	0100
Cover, Relay Valve	1105	Engine Assembly	0101
Cover, Rear Axle Spur Pinion Bearing	0108	Engine Gasket Set	0505
Cover, Starter Burner Housing	1402	Engine Water Fittings and Hose	1207
Cover, Steering Tie Rod Dust	1205	Equalizer, Air Brake Chamber	1800
Cover, Stop Light Switch	0703	Escutcheon, Cab Lever	1405
Cover, Transmission Countershaft Bearing	0706	Escutcheon, Steering Column Pedal	0402
Cover, Transmission Fork Rail Lock Ball Spring	0703	Exhaust and Tail Pipe	0108
Cover, Transmission Main Drive Gear Bearing	0107	Exhaust Manifold, Engine	0105
Cover, Viscometer Opening	0202	Exhaust Valve, Engine	0101
Cover, Pressure Plate and Springs, Clutch	1800	Eye, Engine Lifting	0809
Cowl Assembly	0303	Eye, Power Take-off Shifting Fork Rail and	0706
Crank, Accelerator Bell	2300	Eye, Transmission Gear Shift Lever Reverse Stop Latch	0706
Crank, Starting	1205	Rod End	0201
Crankshaft, Air Compressor	0102	F	
Crankshaft, Engine	1105	Facing, Clutch Disc	0503
Cup, Differential Bearing	0503	Fan Assembly	0601
Cup, Differential Thru Shaft	0503	Fan, Generator	1704
Cup, Fan Hub Bearing	0601	Fastener, Hood	1910
Cup, Fan Hub Rear Bearing Oil Retaining Washer	1105	Felt, Air Cylinder	1800
Cup, Generator Drive	1404	Felt, Cab Post to Cowl Insulator	0809
Cup, Rear Axle Spur Pinion Bearing	1301	Felt, Power Take-off Breather Pipe Cover	1301
Cup, Steering Wheel Horn Button Contact	0105	Felt, Rear Wheel Bearing	1006
Cup, Wheel Bearing	1800	Felt, Steering Knuckle Pin	1701
Cup Assembly, Engine Valve Rocker Arm	1800	Fenders	0107
Cushion, Cab Mounting	1800	Filler Assembly, Engine Oil	1100
Cushion, Cab Seat	1205	Filler, Rear Spring Seat Connecting Tube Oil	0107
D		Filter Assembly, Engine Oil	0302
Damper, Air Brake Quick Release Valve	0301	Filter, Fuel	2300
Decalcomania, Engine Air Cleaner	1207	Fire Extinguisher	1207
Diaphragm, Air Brake Chamber	1205	Fitting, Air Brake Line	1205
Diaphragm, Air Brake Low Pressure Indicator	1205	Fitting, Air Brake Valve Grease	1201
Diaphragm, Air Brake Quick Release Valve	1205	Fitting, Brake Slack Adjuster Grease	1201
Diaphragm, Air Brake Valve	1205	Fitting, Disc Brake Grease	1201
Diaphragm, Relay Valve	1205	Fitting, Emergency Lever Grease	0505
Diaphragm, Stop Light Switch	0609	Fitting, Engine Water Outlet and Inlet	0503
Diaphragm, Vibrator Horn	1103	Fitting, Fan Grease	0302
Differential Assembly, Rear Axle	1103	Fitting, Fuel Pump	0300
Differential Carrier Assembly	0201	Fitting, Fuel Tank Filler	1502
Disc, Clutch	1201	Fitting, Pintle Hook Grease	0809
Disc, Disc, Brake	0302	Fitting, Power Take-off Shift Lever Grease	
Disc, Fuel Pump Coupling Flange			

ALPHABETICAL INDEX — Continued

	Group		Group
Fitting, Rear Brake Camshaft Grease.....	1203	Gasket, Transmission Countershaft Bearing Cover.....	0703
Fitting, Steering Knuckle Pin Grease.....	1006	Gasket, Transmission Main Drive Gear Bearing Cover.....	0703
Fitting, Steering Tie Rod Grease.....	1402	Gasket, Transmission Shifting Lever Housing.....	0701
Fitting, Towing Cable Sheave Grease.....	1501	Gasket, Transmission Shifting Rail Housing.....	0701
Fitting, Universal Joint Grease.....	0902	Gasket, Viscometer Instrument.....	0107
Flange, Auxiliary Transmission Companion.....	0902	Gasket, Viscometer Opening Cover.....	0107
Flange, Engine Exhaust Manifold Companion.....	0108	Gasket, Water Pump.....	0503
Flange, Engine Rear Main Bearing Thrust.....	0102	Gasket Set, Engine.....	0101
Flange, Forward Rear Axle Companion.....	0902	Gate, Body Tail.....	1800
Flange, Fuel Pump Coupling.....	0302	Gauge, Instrument Air Pressure.....	0605
Flange, Fuel Tank Gauge Unit.....	0300	Gauge, Instrument Fuel.....	0605
Flange, Fuel Tank Outlet.....	0300	Gauge, Instrument Fuel Pressure.....	0605
Flange, Transmission Companion.....	0902	Gauge, Oil Pan Bayonet.....	0107
Flywheel, Water Pump Oil.....	0503	Gauge, Oil Pressure.....	0107
Flywheel, Ring Gear and Housing.....	0109	Gauge, Tire.....	2300
Fork, Auxiliary Transmission Shifting.....	0805	Gauge, Viscometer.....	0605
Fork, Power Take-off Shifting.....	0809	Gauze, Oil Pan Strainer.....	0107
Fork, Transmission Shift.....	0706	Gear, Auxiliary Transmission Countershaft.....	0803
Frame and Brackets.....	1500	Gear, Auxiliary Transmission Main Drive.....	0802
Front Axle Assembly.....	1000	Gear, Auxiliary Transmission Main Shaft.....	0802
Fuel Pump, Filters, Tubing and Fittings, Engine.....	0302	Gear, Brake Slack Adjuster Worm.....	1203
Fuel Strainer.....	0302	Gear, Differential Pinion.....	1104
Fuel Tank.....	0300	Gear, Differential Side.....	1104
Fuel Tank Lines.....	0304	Gear, Engine Crankshaft.....	0107
G			
Gasket, Air Brake Double Check Valve.....	1205	Gear, Flywheel Ring.....	0107
Gasket, Air Brake Valve.....	1205	Gear, Oil Pump.....	0309
Gasket, Air Compressor.....	1205	Gear, Power Take-off.....	1105
Gasket, Air Compressor Bracket.....	0101	Gear, Rear Axle Bevel.....	1105
Gasket, Air Intake Manifold Attaching.....	0108	Gear, Rear Axle Spur.....	0705
Gasket, Auxiliary Transmission Control Cover.....	0801	Gear, Speedometer Drive.....	2203
Gasket, Auxiliary Transmission Countershaft Bearing Cap.....	0803	Gear, Speedometer Drive and Driven.....	1403
Gasket, Auxiliary Transmission Main Drive Gear Housing and Trunion.....	0802	Gear, Steering.....	0605
Gasket, Auxiliary Transmission Main Shaft Bearing Cap.....	0802	Gear, Tachometer Drive.....	0702
Gasket, Auxiliary Transmission Power Take-off Cover.....	0607	Gear, Transmission Countershaft.....	0702
Gasket, Blackout Marker Lamp Door.....	1208	Gear, Transmission Countershaft Power Take-off.....	0702
Gasket, Brake Dust Shield.....	0505	Gear, Transmission Countershaft with 1st and Reverse Speed.....	0702
Gasket, Cylinder Water Outlet Manifold.....	1103	Gear, Transmission Main Drive.....	0702
Gasket, Differential Carrier and Housing.....	1103	Gear, Transmission Main Shaft 1st and 2nd Speed Sliding.....	0702
Gasket, Differential Carrier Plug.....	1103	Gear, Transmission Reverse Idler.....	0503
Gasket, Differential Top Cover.....	0301	Gear, Water Pump Drive.....	0503
Gasket, Engine Air Cleaner.....	0109	Gear, Water Pump Tachometer Drive.....	1900
Gasket, Engine Bell Housing.....	0101	Generator and Regulator.....	1800
Gasket, Engine Cylinder Head.....	0101	Glass, Cab Door.....	1800
Gasket, Engine Cylinder Head Cover.....	0108	Glass, Windshield.....	1205
Gasket, Engine Exhaust Manifold.....	0101	Governor, Air.....	0302
Gasket, Engine Gear Cover.....	0107	Governor, Fuel Pump.....	0102
Gasket, Engine Oil Pump Oil Line.....	0105	Grab, Engine Starting Crank.....	1205
Gasket, Engine Valve Cover.....	0505	Guard, Air Compressor Diaphragm Dust.....	2103
Gasket, Engine Water Outlet and Inlet Fitting.....	0503	Guard, Radiator Brush.....	1205
Gasket, Fan Hub.....	1302	Guide, Air Governor Valve.....	0107
Gasket, Front Hub Cap.....	0302	Guide, Engine Cylinder Head Valve.....	0105
Gasket, Fuel Filter.....	0106	Guide, Valve Tappett.....	0503
Gasket, Fuel Pump.....	0106	Guide, Water Pump Seal Spring.....	2300
Gasket, Fuel Pump Drive Chain Adjusting Clamp.....	0302	Gun, Lubricating.....	1500
Gasket, Fuel Strainer Plug.....	0300	H	
Gasket, Fuel Tank Gauge Unit.....	0607	Hammer.....	2300
Gasket, Headlamp.....	0607	Handle, Air Brake Hand Control.....	1800
Gasket, Headlamp Bracket.....	0107	Handle, Cab Door.....	1800
Gasket, Oil Filler.....	0107	Handle, Cab Grab.....	1704
Gasket, Oil Filter.....	0107	Handle, Hood.....	1602
Gasket, Oil Pan.....	0107	Hanger, Front Spring.....	1504
Gasket, Oil Pan Bayonet Gauge Tube Sleeve.....	0107	Hanger, Step.....	0606
Gasket, Oil Pan Cap.....	0107	Harness, Buzzer and Gauge Wiring.....	0606
Gasket, Oil Pressure Regulator.....	0809	Harness, Cowl Wiring.....	0606
Gasket, Power Take-off.....	0701	Harness, Foot Control Wiring.....	1205
Gasket, Power Take-off Opening Cover.....	0501	Head, Air Compressor Cylinder.....	0101
Gasket, Radiator Filler Neck.....	0501	Head, Engine Cylinder.....	0302
Gasket, Radiator Tank.....	1102	Head, Fuel Filter.....	0302
Gasket, Rear Axle Shaft.....	1105	Head, Fuel Strainer.....	0607
Gasket, Rear Axle Spur Pinion Bearing Cage.....	1105	Headlamps, Sealed Beams, Bulbs, Fuses.....	1703
Gasket, Rear Axle Spur Pinion Bearing Cover.....	1205	Hinge, Battery Shield Door.....	1800
Gasket, Relay Valve Cover.....	0108	Hinge, Cab Door.....	1704
Gasket, Starter Burner High Tension Electrode.....	0108	Hinge, Hood.....	0302
Gasket, Starter Burner Housing.....	0505	Holder, Fuel Nozzle and.....	1704
Gasket, Thermostat Housing.....		Hood Assembly.....	

ALPHABETICAL INDEX — Continued

	Group
Hood, Instrument Panel Light	0605
Hook, Body	1800
Hook, Pintle	1502
Horn Assembly, Dual	0609
Horn Assembly, Vibrator	0609
Hose, Air Brake Front Axle Chamber	1209
Hose, Air Compressor Exhaust Nipple	0505
Hose, Radiator	0504
Hose, Thermostat Bypass Tube	0505
Hose, Tire Inflation	2300
Housing and Trunnion, Auxiliary Transmission Main Drive Gear	0802
Housing, Auxiliary Transmission Control	0802
Housing, Auxiliary Transmission Mainshaft Rear Bearing Cap and Speedometer	0802
Housing, Clutch	0701
Housing, Engine Bell	0109
Housing, Rear Axle	1101
Housing, Starter Burner	0108
Housing, Starting Motor Drive	0602
Housing, Starting Motor Switch	0602
Housing, Steering Gear	1403
Housing, Transmission Shifting Lever	0701
Housing, Transmission Shifting Rail	0701
Hub, Fan	0503
Hub, Fuel Pump Coupling	0302
Hub, Generator Drive	0601
Hubs and Drums, Wheel	1302

Impeller, Water Pump	0503
Indicator, Air Brake Low Pressure	1205
Indicator, Engine Heat	0502
Indicator, Instrument Heat	0605
Instruments and Carrier	0605
Insulation, Cowl Dash	1800
Insulation, Viscometer Instrument Tube	0107
Insulator, Cowl	1800
Insulator, Radiator Support	0504
Insulator, Starter Burner Terminal	0108
Iron, Front Fender	1504

J

Jack	2300
Joint, Governor Stop Control Rod Ball	1205
Joint, Throttle Rod Socket	0303
Joint, Universal Fixed	0902
Joint, Universal Slip	0902
Joint, Winch Universal	1900
Journal, Universal Joint	0902

K

Knob, Instrument Panel Light Switch	0606
Knob, Light Switch	0606
Knob, Power Take-off Shift Lever	0809
Knuckle, Steering	1006

L

Lacing, Cowl Hood	1800
Lacing, Radiator Hood Ledge	0504
Lamp, Blackout Marker	0607
Lamp, Head	0607
Lamp, Stop and Tail	0608
Lamp, Trouble	2300
Latch, Emergency Lever Grip	1201
Latch, Pedal Hold Down	1800
Latch, Power Take-off Shift Lever Bracket	0809
Latch, Transmission Gear Shift Lever Reverse Stop	0706
Latch, Transmission Gear Shift Lever Reverse Stop Spoon	0706
Leaf, Front and Rear Spring	1601
Lever, Air Brake Valve	1205
Lever, Air Compressor	1205
Lever, Air Cyl. Clutch Adlter.	1910
Lever, Accelerator pedal, Winch	1910
Lever, Air Governor Stop	1205
Lever, Auxiliary Transmission Shifting	0805
Lever, Clutch Pressure	0203

	Group
Lever, Clutch Release Shaft	0203
Lever, Disc Brake Cross Shaft	1201
Lever, Disc Brake Cross Shaft Operating	1201
Lever, Disc Brake Shoe Lever Arm Operating	1201
Lever, Emergency	1201
Lever, Power Take-off Shift	0809
Lever, Starting Motor Shift	0602
Lever, Transmission Gear Shift	0706
Lever, Winch Clutch	1
Light Switches, Cables, Wiring Harness	1
Line, Air Brake	9
Line, Air Compressor Intake Water	5
Line, Engine Oil Gauge Flexible	21
Line Assembly, Engine Oil Pump Oil	0107
Line, Flame Thrower	0302
Line, Fuel Filter	0304
Line, Fuel Pressure Gauge	0302
Line, Fuel Pressure Gauge Flexible	0302
Line, Fuel Pump Flexible	0302
Line, Fuel Pump to Cylinder Fuel	0302
Line, Fuel Tank	0304
Line, Gate Valve	0304
Line, Gate Valve to Injector	0304
Line, Oil Gauge	0605
Line, Transfer Pump Flexible Suction	0302
Line, Viscometer Copper	0605
Line, Viscometer Flexible	0107
Liner, Engine Cylinder	0101
Liner, Engine Cylinder Block Combustion	0101
Lining, Disc Brake Shoe	1201
Lining, Front Axle Brake Shoe	1202
Lining, Rear Axle Brake Shoe	1202
Lining, Winch Brake	1900
Link, Drag	1401
Lock, Cab Door	1800
Lock, Differential Bearing Adjusting Ri	1105
Lock, Engine Valve Spring Seat	0105
Lock, Power Take-off Intermediate Si	0809
Lock, Rear Spring Seat Connecting Tube Adjusting Nut	1100
Lock, Steering Knuckle Pin Felt Retainer	1006
Lock, Tachometer	0605
Lock, Torque Rod Ball Bushing	1100
Lock, Transmission Reverse Idler Shaft	0704
Lock and Tumbler, Battery Shield	1703
Loom, Air Brake Line	1209
Loom, Flame Thrower Line	0302
Loom, Fuel Filter Line	0304
Loom, Fuel Pressure Gauge Line	0302
Loom, Fuel Tank	0304
Loom, Gate Valve Line	0304
Loom, Gate Valve to Injector Line	0304
Loom, Oil Gauge Line	0605

M

Mainshaft, Transmission	0704
Mainshaft, Countershaft and Reverse Idler Shaft, Transmission	0704
Manifold, Air Brake	1205
Manifold, Cylinder Water Outlet	0505
Manifold, Engine	0108
Manifold Fuel Nozzle Leakoff	0302
Mask Assembly, Headlamp Blackout	0607
Member, Auxiliary Transmission Cross	1500
Member, Frame Cross	1500
Member, Power Take-off Shift Lever Support Cross	0809
Member, Radiator Side	0501
Member, Radiator Support Cross	1500
Member, Tandem Unit Cross	1500
Mirror, Rear View	2201
Motor, Windshield Wiper	1801
Mountings, Radiator	0504
Mudshield, Fuel Tank	0300
Muffler	0401

N

Neck, Radiator Filler	0601
Nipple, Air Brake Manifold	1205
Nipple, Air Compressor Exhaust	0505
Nipple, Feed Gate Valve to Filter	0302

ALPHABETICAL INDEX — Continued

	Group		Group
Nipple, High Tension Cable Insulating.....	0108	Pinion, Starting Motor Drive	0602
Nipple, Rear Axle Housing Breather.....	1101	Pipe, Clutch Oil	0203
Nipple, Starting Burner Fuel.....	0108	Pipe, Fuel Strainer	0302
Nozzle, Holder and Fuel	0302	Pipe, Muffler Tail	0402
Nozzle, Starting Burner	0108	Pipe, Power Take-off Breather	0809
Nut, Air Compressor Water Line.....	0505	Piston, Air Brake and Control	1205
Nut, Clutch Pedal Connecting Rod Yoke.....	0204	Piston, Air Compressor	1205
Nut, Engine Air Cleaner Wing.....	0301	Piston, Engine Oil Pressure Regulator Valve.....	0107
Engine Connecting Rod Cap.....	0104	Pistons, Rings, Pins; Engine	0103
Engine Exhaust Manifold to Cylinder Head Stud.....	0108	Plate, Air Brake Chamber Pressure.....	1207
Engine Main Bearing Stud.....	0102	Plate, Auxiliary Transmission Control Bracket.....	0802
Mounting Stud.....	0503	Plate, Caution Name	2200
Nozzle to Cylinder Block Stud.....	0302	Plate, Clutch	0202
Nut, Lamp Drive Shaft Coupling.....	0106	Plate, Clutch Pressure	0202
Nut, Lamp	0607	Plate, Engine Air Cleaner Baffle.....	0301
Nut, Lamp Take-off Output Shaft Universal Joint.....	0809	Plate, Engine Gear Cover Camshaft Thrust.....	0101
Nut, Lamp Gear Spur Pinion Adjusting.....	1105	Plate, Engine Stop Switch Name.....	0605
Nut, Rear Spring Seat Connecting Tube Adjusting.....	1100	Plate, Front Brake Shoe Cam.....	1203
Nut, Starter Burner Housing Stud.....	0108	Plate, Front Fender Scuff.....	1701
Nut, Starting Burner Nozzle Lock.....	0108	Plate, Fuel Tank Toggle Switch Name.....	0605
Nut, Torque Rod End Pin.....	1100	Plate, Generator Ball Bearing Retainer.....	0601
Nut, Trailer Socket	0606	Plate, Nomenclature	2200
Nut, Transmission Bearing	0703	Plate, Oil Filter Case Retaining.....	0107
Nut, Transmission Countershaft Bearing.....	0703	Plate, Radiator Baffle	0501
Nut, Transmission Main Drive Gear.....	0802	Plate, Rear Axle Housing Spring.....	1101
Nut, Transmission Main Shaft Companion Flange.....	0703	Plate, Rear Axle Housing Wear.....	1101
Nut, Valve Rocker Arm Adjusting Screw.....	0105	Plate, Rear Brake Shoe Cam.....	1203
Nut, Viscometer Instrument Tube Tee.....	0107	Plate, Service Data Name	2200
Nut, Water Pump	0503	Plate, Shifting Name	2200
Nut, Wheel Bearing Adjusting	1301	Plate, Starting Motor Bearing	0602
O			
Oil Can	2300	Plate, Steering Wheel Horn Button Base	1404
Oiler, Generator	0601	Plate, Voltage Regulator Mounting	0601
Oiler, Starting Motor	0602	Pliers	2300
Oil Filter Unit Assembly.....	0107	Plug, Crankshaft Flywheel Expansion.....	0102
Oil Pump, Oil Pan, Oil Gauge, Oil Filter.....	0107	Plug, Cylinder Head Pipe.....	0101
Overflow, Radiator	0501	Plug, Engine Camshaft Oil Metering.....	0106
P			
Packing, Rear Spring Seat.....	1100	Plug, Engine Gear Cover Chain Inspection.....	0101
Packing, Rear Spring Seat Connecting Tube Adjusting Nut.....	1100	Plug, Engine Gear Cover Fuel Pump Drive Thrust.....	0101
Pad, Brake Pedal	1204	Plug, Engine Gear Cover Thrust.....	0101
Pad, Clutch Pedal	0204	Plug, Fan Hub Oil.....	0503
Padding, Rear Coil Felt	0108	Plug, Fuel Pump Drive Shaft.....	0106
Pan, Engine Oil	0107	Plug, Headlamp	0607
Pan, Skid	2300	Plug, Oil Filter Case.....	0107
Panel, Hood Center	1704	Plug, Speedometer Gear Opening	0703
Pedal, Accelerator	0303	Plug, Transmission Countershaft Expansion	0703
Pedal, Brake	1204	Plug, Transmission Fork Rail Hole Expansion.....	0706
Pedal, Clutch	0204	Plug, Valve Rocker Arm	0105
Pin, Accelerator Bell Crank.....	0303	Plunger, Stop Light Switch Contact.....	1205
Pin, Air Compressor Piston	1205	Pointer, Bell Housing Timing.....	0109
Pin, Auxiliary Transmission High Speed Control Rod Yoke.....	0805	Power Take-off	0809
Pin, Auxiliary Transmission Shifting Lever Pivot.....	0805	Pulley, Air Compressor Driven	0101
Pin, Auxiliary Transmission Shifting Lever Spring Retaining.....	0806	Pulley, Fan Drive	0503
Pin, Clutch Pedal Connecting Rod Yoke.....	0204	Pump, Engine Oil	0107
Pin, Clutch Pedal Connecting Yoke.....	0204	Pump, Fuel	0302
Pin, Clutch Release Sleeve Spring Stop.....	0203	Pump, Starting Burner Primary	0108
Pin, Disc Brake Shoe.....	1201	R	
Pin, Disc Brake Shoe Lever Arm Anchor.....	1201	Radiator Assembly	0501
Pin, Emergency Brake Lever Shaft.....	0701	Radiator Shell, Core and Overflow Tank.....	0501
Pin, Engine Camshaft Thrust Washer Lock.....	0106	Rail, Auxiliary Transmission Shifting	0805
Pin, Engine Chain Idler Stop.....	0106	Rail, Frame Side	1500
Pin, Engine Cylinder Block Combustion Liner.....	0101	Rail, Power Take-off Shifting Fork.....	0809
Pin, Engine Oil Filter Hinge.....	0107	Rail, Transmission Shift Fork	0706
Pin, Engine Piston	0103	Ratchet, Emergency Lever Bracket.....	1201
Pin, Front Brake Shoe Anchor.....	1203	Rear Axle Assembly	1100
Pin, Front Spring Shackles	1602	Receptacle, Trouble Lamp	0605
Pin, Rear Brake Shoe	1203	Reflector, Headlamp	0607
Pin, Starting Motor Shift Lever.....	0602	Regulator, Cab Window	1700
Pin, Steering Knuckle	1006	Regulator, Current	0601
Pin, Torque Rod End	1100	Regulator, Generator Voltage	0601
Pin, Transmission Fork Rail Interlock Cross.....	0706	Regulator Assembly, Oil Pressure	0107
Pin, Transmission Gear Shift Lever Pivot.....	0706	Regulator Assembly, Voltage	0601
Pin, Water Pump Impeller.....	0503	Relay, Cut-out	0601
Pinion, Rear Axle Bevel	1105	Relay, Fuel Tank Gauge	0605
Pinion, Rear Axle Spur	1105	Relay, Vibrator Horn	0609
		Release Lever, Bearings, Forks, etc., Clutch.....	0203
		Retainer, Air Compressor Oil	1205
		Retainer, Battery	1703

ALPHABETICAL INDEX — Continued

	Group		Group
Retainer, Disc Brake Shoe Pin.....	1201	Seal, Starting Motor Oil	0602
Retainer, Headlamp Spring	0607	Seal, Steering Gear Oil	1403
Retainer, Radiator Shutter	0501	Seal, Torque Rod Oil	1100
Retainer, Rear Wheel Bearing Felt.....	1301	Seal, Universal Joint Journal Bearing Oil.....	0902
Retainer, Starter Burner Electrode.....	0108	Seal, Water Pump	0503
Retainer, Steering Knuckle Pin Felt.....	1006	Seal, Windshield Rubber	1800
Retainer, Steering Tie Rod Grease.....	1402	Seat, Engine Valve Spring	0105
Retainer, Water Pump Cork.....	0501	Seat, Frame Support	1
Ring, Air Compressor	1205	Seat, Rear Spring	1
Ring, Auxiliary Transmission Main Shaft Gear Snap.....	0802	Seat, Steering Tie Rod End Stud.....	4
Ring, Clutch Flywheel	0202	Shackle, Front Spring	4
Ring, Clutch Release Sleeve Fulcrum	0203	Shaft, Auxiliary Transmission Main	4
Ring, Clutch Release Sleeve Snap.....	0203	Shaft, Brake Slack Adjuster Worm.....	203
Ring, Countershaft Transmission Case Snap.....	0703	Shaft, Clutch Pedal	0203
Ring, Differential Bearing Adjusting	1105	Shaft, Differential Thru	1105
Ring, Engine Exhaust Manifold Connecting.....	0108	Shaft, Disc Brake Cross	1201
Ring, Engine Piston	0103	Shaft, Emergency Brake Lever	701
Ring, Fuel Filter Clamping	0302	Shaft, Engine Chain Idler Support.....	0106
Ring, Fuel Pump Bracket Dowel.....	0302	Shaft, Fuel Pump Drive	0106
Ring, Fuel Strainer Clamping.....	0302	Shaft, Oil Pump	0107
Ring, Oil Pump Drive Shaft Snap.....	0107	Shaft, Pedal	1209
Ring, Transmission Countershaft Snap.....	0702	Shaft, Power Take-off	0809
Ring, Water Pump Seal Clamp.....	0503	Shaft, Power Take-off Output	0809
Ring, Water Pump Snap.....	0503	Shaft, Propeller	0901
Ring, Wheel Side	1301	Shaft, Rear Axle	1102
Rod, Accelerator Pedal	0303	Shaft, Starting Motor Switch Push Button.....	0602
Rod, Air Brake Chamber Push	1207	Shaft, Steering Gear Cam Lever.....	1403
Rod, Air Compressor Connecting	1205	Shaft, Towing Cable Roller	1501
Rod, Air Governor Control	1205	Shaft, Transmission Reverse Idler	0704
Rod, Auxiliary Transmission High Speed Control.....	0805	Shaft, Valve Rocker Arm	0105
Rod, Auxiliary Transmission Low Speed Control.....	0805	Shaft, Universal Joint Stub	0902
Rod, Battery Retainer Tie.....	1703	Shaft, Water Pump	0503
Rod, Brake Pedal Air Valve Yoke.....	1204	Shaft, Winch Drive	1900
Rod, Clutch Pedal Connecting Yoke.....	0204	Shaft, Winch Operating	1900
Rod, Disc Brake Cross Shaft Lever Push.....	1201	Sheave, Towing Cable	1501
Rod, Disc Brake Shoe Lever Arm Tie.....	1201	Shield, Battery	0610
Rod, Emergency Brake	1201	Shield, Battery	1703
Rod, Emergency Lever Pawl and.....	1201	Shield, Brake Dust	1208
Rod, Engine Connecting	0104	Shield, Front Fender	1701
Rod, Engine Valve Push	0105	Shield, Fuel Tank	0300
Rod, Power Take-off Shift	0809	Shifting Forks and Levers, Transmission.....	0706
Rod, Radiator Stay	0504	Shim, Auxiliary Control Bracket	0701
Rod, Skid Pan Bracket Spacer.....	1501	Shim, Engine Gear Cover Camshaft Thrust.....	0101
Rod, Steering Tie	1402	Shoe Assembly, Disc Brake	1201
Rod, Throttle	0303	Shoe Assembly, Front Axle.....	1202
Rod, Torque	1100	Shoe Assembly, Rear Axle.....	1202
Rod, Transmission Gear Shift Latch.....	0706	Shoe, Starting Motor Pole	0602
Roller, Cable Idler	1501	Shroud, Radiator Fan	0501
Roller, Towing Cable	1501	Shutter, Radiator	0501
S			
Screen, Oil Pump	0107	Side Gears and Pinions, Differential.....	1104
Screw, Air Compressor Bracket	0101	Side, Hood	1704
Screw, Crankshaft Flywheel	0102	Sills, Body Wood	1800
Screw Driver	2300	Sleeve, Auxiliary Transmission Main Shaft Gear.....	0802
Screw, Engine Oil Pan	0107	Sleeve, Cylinder Block Spray Nozzle.....	0101
Screw, Fuel Pump Bracket	0302	Sleeve, Flame Thrower Line.....	0302
Screw, Fuel Pump Coupling Flange.....	0302	Sleeve, Fuel Filter Line	0304
Screw, Fuel Pump Drive Chain Set.....	0106	Sleeve, Fuel Pressure Gauge Line.....	0302
Screw, Oil Pressure Regulator Valve Adjusting.....	0107	Sleeve, Fuel Pump Drive Shaft.....	0106
Screw, Rear Axle Housing Sleeve.....	1101	Sleeve, Fuel Tank Line	0302
Screw, Rear Spring Seat Clamp.....	1100	Sleeve, Gate Valve Line	0304
Screw, Starting Motor Shift Lever Link and Adjusting.....	0601	Sleeve, Gate Valve to Injector Line.....	0304
Screw, Transmission Gear Shift Lever Bell.....	0706	Sleeve, Rear Axle Housing	1101
Screw, Transmission Shift Fork Locking.....	0706	Sleeve, Starting Motor Shift.....	0602
Screw, Valve Tappet Guide	0105	Sleeve, Starting Motor Switch Housing.....	0602
Seal, Auxiliary Transmission Main Drive Gear Oil.....	0802	Sleeve, Transmission Mainshaft 3rd Speed Gear.....	0702
Seal, Auxiliary Transmission Main Shaft Bearing Cap Oil.....	0802	Sleeve, Viscometer Copper Line Nut.....	0605
Seal, Brake Pedal	1204	Sleeve, Water Pump Bearing	0503
Seal, Cab Lever Escutcheon	1800	Slinger, Brake Dust Shield Oil.....	1208
Seal, Clutch Pedal	0204	Socket, Instrument Panel Light.....	0605
Seal, Differential Thru Shaft Bearing Cover.....	1105	Socket Assembly, Trailer	0606
Seal, Engine Bell Housing Oil.....	0109	Solenoid, Stop Control	0302
Seal, Engine Gear Cover	0101	Spacer, Air Governor	1205
Seal, Front Wheel Bearing Oil.....	1301	Spacer, Air Supply Valve	1205
Seal, Fuel Pump Drive Shaft Oil.....	0106	Spacer, Auxiliary Transmission Countershaft Drive Gear.....	0803
Seal, Power Take-off Bearing Cover Oil.....	0809	Spacer, Auxiliary Transmission Main Drive Gear Bearing.....	0802
Seal, Rear Axle Shaft Oil	1101	Spacer, Auxiliary Transmission Main Shaft Bearing.....	0802
		Spacer, Battery	1703
		Spacer, Emergency Brake Lever Shaft.....	0701

ALPHABETICAL INDEX—Continued

	Group		Group
Spacer, Fan Blade	0505	Stud, Generator	0601
Spacer, Power Take-off Bearing	0809	Stud, Oil Filler Attaching.....	0107
Spacer, Steering Knuckle Pin	1006	Stud, Oil Filter Attaching.....	0101
Spacer, Transmission Fork Rail	0706	Stud, Power Take-off Lever Bracket.....	0809
Spacer, Transmission Idler Roller Bearing.....	0703	Stud, Radiator	0501
Spark Coil	0108	Stud, Rear Axle Shaft	1102
Speedometer	2203	Stud, Rear Axle Spur Pinion Bearing Cage.....	1105
Speedometer Drive Gear	0804	Stud, Rear Brake Camshaft and Diaphragm Bracket.....	1203
Speedometer Differential	1104	Stud, Starter Attaching	0109
Speedometer Bushing Assembly, Rear Brake.....	1203	Stud, Starter Burner Housing	0108
Speedometer Fan	0503	Stud, Thermostat Housing	0505
Speedometer Brake Hand Control Valve.....	1205	Stud, Water Pump Attaching	0101
Speedometer Brake Low Pressure Indicator.....	1205	Stud, Wheel	1302
Speedometer Compressor Valve	1205	Support, Cab	1800
Spring, Governor Piston	1205	Support, Engine Torque Arm.....	0101
Spring, Transmission Shifting Lever.....	0805	Support, Front Bumper Roller	1501
Spring, Transmission Shifting Rail Ball.....	0805	Support, Muffler	0401
Spring, Steering Knuckle Pull Back.....	1204	Support, Step Board	1504
Spring, Clutch	0202	Switch, Engine Stop	0605
Spring, Clutch Oil Pipe Tension	0203	Switch, Fuel Tank	0605
Spring, Clutch Pedal Pull Back.....	0204	Switch, Instrument Panel Dimmer	0606
Spring, Disc Brake Shoe	1201	Switch, Instrument Panel Light	0606
Spring, Emergency Lever Grip Latch	1201	Switch, Light	0606
Spring, Engine Oil Filter Case Cover.....	0107	Switch, Pressure	0108
Spring, Engine Valve	0105	Switch, Starter Circuit	0605
Spring, Front and Rear	1601	Switch Assembly, Starting Motor	0602
Spring, Front Brake Shoe Return.....	1203	Switch, Starting Motor Solenoid	0602
Spring, Fuel Tank Shield Strap End Bolt.....	0300	Switch, Stop Light	1205
Spring, Headlamp	0607	Switch, Winch Torque Control Starter	1900
Spring, Instrument Panel Light	0605		
Spring, Oil Pressure Regulator Valve.....	0107	T	
Spring, Power Take-off Shifting Fork Locating Ball.....	0809	Tachometer Assembly	0605
Spring, Rear Brake Shoe.....	1203	Tag, Air Brake Coupling Emergency.....	1209
Spring, Starting Motor Drive Pinion Meshing.....	0602	Tag, Air Brake Coupling Service.....	1209
Spring, Starting Motor Shift Lever.....	0602	Tail, Cab Door Dove.....	1800
Spring, Starting Motor Switch Contact Cushion.....	0602	Tank, Air Reservoir	1205
Spring, Starting Motor Switch Push Button.....	0602	Tank, Fuel	0300
Spring, Starting Motor Switch Contact Push Rod Return.....	0602	Tank, Radiator	0501
Spring, Steering Tie Rod End Stud Seat.....	1402	Tappet, Valve	0105
Spring, Stop Light Switch	1205	Tee, Air Brake Line	1209
Spring, Transmission Fork Rail Lock Ball.....	0706	Tee, Fuel Filter	0302
Spring, Transmission Gear Shift Lever	0706	Tee Assembly, Fuel Nozzle Lockoff Connection.....	0302
Spring, Transmission Gear Shift Reverse Stop Latch Rod.....	0706	Tee, Valve	0304
Spring, Valve Rocker Arm	0105	Tee, Starting Burner Fuel	0108
Spring, Water Pump Seal	0503	Tee, Transfer Pump Fuel Fitting.....	0302
Sprocket, Engine Camshaft Fuel Pump Drive.....	0106	Tee, Viscometer Instrument Tube.....	0107
Sprocket, Engine Chain Idler	0106	Thermostat, Engine	0502
Starting Motor Assembly	0602	Thimble, Auxiliary Transmission Shifting Rail Oil Retaining.....	0805
Steering Drag Link	1401	Thimble, Power Take-off Shifting Fork Rail Hole	0809
Steering Gear Assembly	1403	Thimble, Transmission Fork Rail Hole	0706
Steering Knuckle and Arm	1006	Thimble, Transmission Shifting Rail Housing Oil Retaining.....	0701
Steering Tie Rod	1402	Timing, Attachments	1501
Strainer, Air Compressor	1205	Transmission	0700
Strainer, Air Governor Air	1205	Transmission Case and Clutch Housing.....	0701
Strainer, Air Governor Cylinder.....	1205	Transmission Gears	0702
Strainer, Engine Oil Pan	0107	Transmission Main Drive Pinion and Bearings.....	0703
Strainer Assembly, Fuel	0302	Tube, Air Compressor Breather.....	0101
Strap, Clutch Flywheel Ring Adjusting.....	0202	Tube, Air Compressor Lubrication	0101
Strap, Fuel Tank, Shield	0300	Tube, Engine Exhaust	0402
Striker, Battery Door	1703	Tube, Fuel Pump Drain.....	0602
Stud, Accelerator Pedal	0303	Tube, Fuel Tank Suction	0101
Stud, Air Brake Coupling	1209	Tube, Assembly, Oil Pan Bayonet Gauge.....	0504
Stud, Auxiliary Transmission Main Drive Gear Housing and Trunnion	0802	Tube, Radiator Outlet	0504
Stud, Auxiliary Transmission Main Shaft Rear Bearing.....	0802	Tube, Rear Spring Seat Connecting	1100
Stud, Clutch Flywheel Ring	0202	Tube, Starting Motor Oil Tube.....	0601
Stud, Clutch Housing	0701	Tube, Thermostat Bypass	0505
Stud, Cylinder Block Cylinder Head.....	0101	Tube, Viscometer Instrument	0107
Stud, Cylinder Block Spray Nozzle.....	0101	Tumbler, Starter Circuit Switch	0605
Stud, Cylinder Block to Bell Housing.....	0101		
Stud, Cylinder Head to Exhaust Manifold.....	0101	U	
Stud, Differential Bearing Cap.....	1103	U Bolt, Air Reservoir Tank.....	1205
Stud, Differential Carrier and Housing.....	1103	U Bolt, Muffler Tail Pipe Bracket.....	0402
Stud, Engine Main Bearing	0102	Union, Air Compressor Lubrication Tube.....	0101
Stud, Engine Oil Filter	0107	Union, Fuel Nozzle Flared Tube.....	0301
Stud, Engine Oil Pan Strainer	0107	Union, Fuel Strainer	0102
Stud, Engine Torque Arm Support.....	0101	Unit, Fuel Tank Gauge	0500
Stud, Fan Mounting	0503	Unit Voltage Regulator Resistance.....	0301
Stud, Fuel Nozzle Fuel Inlet.....	0302		

ALPHABETICAL INDEX — Continued

	Group		Group
Unit Assembly, Blackout Lamp	0608	Winch Assembly	1900
Unit Assembly, Oil Filter	0107	Winding, Current Regulator	0601
Universal Joint	0902	Winding Assembly, Cut-out Relay	0601
V			
Valve, Air Brake	1205	Winding, Voltage Regulator	0601
Valve, Air Brake Coupling Single Check	1207	Wiper Assembly, Windshield	1801
Valve, Air Brake Double Check	1205	Wire, Ammeter Ground	0606
Valve, Air Brake Hand Control	1205	Wire, Blackout Marker Lamp Terminal	0606
Valve, Air Brake Quick Release	1205	Wire, Circuit Breaker to Ammeter	0606
Valve, Air Compressor	1205	Wire, Contact Relay to 5 Ampere Circuit Breaker	0606
Valve, Air Control	1205	Wire, Coupling Socket to Ground	0606
Valve, Air Filter	1205	Wire, Fuel Gauge to Circuit Breaker	0606
Valve, Air Supply	1205	Wire, Fuel Tank Switch to Fuel Gauge	0606
Valve, Engine Exhaust	0105	Wire Assembly, Headlamp	0606
Valve, Engine Intake	0105	Wire, Horn Relay to Horn	0606
Valve, Feed Gate	0302	Wire, Instrument Panel Light	0606
Valve, Fuel Strainer Vent	0302	Wire, Light Switch Circuit Breaker	0606
Valve, Relay	1205	Wire, Light Switch to Contact Switch Relay	0606
Valve, Return Gate	0304	Wire, Light Switch to 40 Ampere Circuit Breaker	0606
Valve, Universal Joint Journal Relief	0902	Wire, Light Switch to Toggle Switch	0606
Valve, Winch 2-Way	1910	Wire, Solenoid Switch to Cranking Motor	0606
Valve, Windshield Wiper Control	1801	Wire, Starter Switch to Circuit Breaker	0606
Ventilator, Cab Tri-master	1900	Wire, Starter to 40 Ampere Circuit Breaker	0606
Viscometer Instrument	0107	Wire, Toggle Switch to Fuel Gauge	0606
W			
Washer, Clutch Pressure Plate Retracting Spring	0202	Wire, Toggle Switch to Panel Light	0606
Washer, Differential Side Gear Thrust	1104	Worm, Brake Slack Adjuster	1203
Washer, Engine Camshaft Thrust	0106	Wrench, Budd Wheel	2300
Washer, Engine Valve Lapp + Guide	0105	Wrench, Wheel Bearing	2300
Washer, Fuel Pump Drive Shaft Thrust	0106	Wrench, Wheel Bearing Adjusting nut	1301
Washer, Speedometer Gear	0703	Wrenches	2300
Washer, Transmission Mainshaft 2nd Speed Gear	0702	Y	
Washer, Valve Rocker Arm Spring	0105	Yoke, Air Brake Chamber	1207
Water Pump, Fan and Belt	0503	Yoke, Brake Pedal Air Valve Yoke Rod	1204
Wheel Assembly, Bearings, Retainers and Wrenches	1301	Yoke, Clutch Pedal Connecting Yoke Rod	0204
Wheel, Front and Rear	1301	Yoke, Clutch Release	0203
Wheel, Spare	1301	Yoke, Disc Brake Cross Shaft Lever Push Rod Adjusting	1201
Wheel, Steering	1404	Yoke, Emergency Brake Rod	1201
Wick Assembly, Crankshaft Oil	0102	Yoke, Power Take-off Shift Rod	0809
		Yoke, Universal Joint	0902
		Yoke, Universal Joint Stub Ball	0902

NUMERICAL INDEX

Part No.	Group	Part No.	Group	Part No.	Group	Part No.	Group
BB1225	0505	BB3869	0302	BB3951	0302	BB5984	1402
BB1364	0302	BB3870	0302	BB3952	0302	BB5985	1401
BB1365	0302	BB3872	0302	BB3953	0302	BB5986	1401
BB1366	0302	BB3873	0302	BB3954	0302	BB6003	1101
BB1732	1910	BB3874	0302	BB3955	0302	BB6004	1101
BB3404	0107	BB3875	0302	BB3956	0302	BB6038	1103
BB406	0107	BB3876	0302	BB3957	0302	BB6052	1105
	0107	BB3878	0302	BB3958	0302	BB6126	0701
	0107	BB3879	0302	BB3959	0302	BB7036	0902
	0107	BB3880	0302	BB3960	0302	BB7300	0302
	0302	BB3881	0302	BB3961	0302	BB7301	0302
	0302	BB3883	0302	BB3962	0302	BB7302	0302
	0302	BB3884	0302	BB3963	0302	BB7303	0302
	0302	BB3885	0302	BB3964	0302	BB7304	0302
	0302	BB3886	0302	BB3965	0302	BB7305	0302
BB3887	0302	BB3887	0302	BB3966	0302	BB7306	0302
BB3888	0302	BB3888	0302	BB3967	0302	BB7307	0302
BB3889	0302	BB3889	0302	BB3968	0302	BB7308	0302
BB3890	0302	BB3890	0302	BB3969	0302	BB7309	0302
BB3891	0302	BB3891	0302	BB3970	0302	BB7310	0302
BB3892	0302	BB3892	0302	BB3971	0302	BB7311	0302
BB3893	0302	BB3893	0302	BB3972	0302	BB7411	0501
BB3895	0302	BB3895	0302	BB3973	0302	BB7412	0501
BB3896	0302	BB3896	0302	BB3974	0302	BB7413	0501
BB3897	0302	BB3897	0302	BB3975	0302	BB7415	0501
BB3898	0302	BB3898	0302	BB3976	0302	BB7417	0501
BB3899	0302	BB3899	0302	BB3977	0302	BB7419	0501
BB3900	0302	BB3900	0302	BB3978	0302	BB7825	0101
BB3901	0302	BB3901	0302	BB3979	0302	BB7825	0105
BB3902	0302	BB3902	0302	BB3980	0302	BB7825	0302
BB3903	0302	BB3903	0302	BB3981	0302	BB8403	1800
BB3904	0302	BB3904	0302	BB3982	0302	BB8404	1800
BB3905	0302	BB3905	0302	BB3983	0302	BB8405	1800
BB3906	0302	BB3906	0302	BB3984	0302	BB8407	1800
BB3907	0302	BB3907	0302	BB3985	0302	BB8408	1800
BB3908	0302	BB3908	0302	BB3986	0302	BB8409	1800
BB3909	0302	BB3909	0302	BB3987	0302	BB8410	1800
BB3910	0302	BB3910	0302	BB3988	0302	BB8411	1800
BB3911	0302	BB3911	0302	BB3989	0302	BB8412	1800
BB3912	0302	BB3912	0302	BB3990	0302	BB8413	1800
BB3913	0302	BB3913	0302	BB3991	0302	BB8414	1800
BB3914	0302	BB3914	0302	BB3992	0302	BB8415	1800
BB3915	0302	BB3915	0302	BB3993	0302	BB8418	1800
BB3916	0302	BB3916	0302	BB3994	0302	BB8419	1800
BB3917	0302	BB3917	0302	BB3995	0302	BB8420	1800
BB3918	0302	BB3918	0302	BB3996	0302	BB8421	1800
BB3919	0302	BB3919	0302	BB3997	0302	BB8422	1800
BB3920	0302	BB3920	0302	BB3998	0302	BB8423	1800
BB3921	0302	BB3921	0302	BB3999	0302	BB8424	1800
BB3922	0302	BB3922	0302	BB4000	0302	BB8425	1800
BB3923	0302	BB3923	0302	BB4001	0302	BB8426	1800
BB3924	0302	BB3924	0302	BB4002	0302	BB8427	1800
BB3925	0302	BB3925	0302	BB4003	0302	BB8428	1800
BB3926	0302	BB3926	0302	BB4004	0302	BB8429	1800
BB3927	0302	BB3927	0302	BB4005	0302	BB8430	1800
BB3928	0302	BB3928	0302	BB4006	0302	BB8431	1800
BB3929	0302	BB3929	0302	BB4007	0302	BB8432	1800
BB3930	0302	BB3930	0302	BB4008	0302	BB8433	1800
BB3931	0302	BB3931	0302	BB4009	0302	BB8434	1800
BB3932	0302	BB3932	0302	BB4010	0302	BB8435	1800
BB3933	0302	BB3933	0302	BB4011	0302	BB8436	1800
BB3934	0302	BB3934	0302	BB4012	0302	BB8437	1800
BB3935	0302	BB3935	0302	BB4013	0302	BB8440	1800
BB3936	0302	BB3936	0302	BB4014	0302	BB8441	1800
BB3937	0302	BB3937	0302	BB4015	0302	BB8442	1800
BB3938	0302	BB3938	0302	BB4016	0302	BB8443	1800
BB3939	0302	BB3939	0302	BB4017	0302	BB8444	1800
BB3940	0302	BB3940	0302	BB4018	0302	BB8452	1800
BB3941	0302	BB3941	0302	BB4103	1403	BB8463	1800
BB3942	0302	BB3942	0302	BB4111	1403	BB8464	1800
BB3943	0302	BB3943	0302	BB4119	1403	BB8465	1800
BB3944	0302	BB3944	0302	BB4120	1403	BB8466	1800
BB3945	0302	BB3945	0302	BB4121	1403	BB8467	1800
BB3946	0302	BB3946	0302	BB4129	1403	BB8468	1800
BB3947	0302	BB3947	0302	BB4134	1403	BB8469	1800
BB3948	0302	BB3948	0302	BB4135	1404	BB8470	1800
BB3949	0302	BB3949	0302	BB5176	1207	BB8471	1800
BB3950	0302	BB3950	0302	BB5982	1401	BB8476	1800
				BB5983	1401	BB8477	1800

NUMERICAL INDEX — Continued

Part No.	Group	Part No.	Group	Part No.	Group	Part No.	Group
BB8479	1800	BB9184	1205	BB17412	0501	BB21725	1900
BB8480	1800	BB9187	1205	BB18360	2201	BB21726	1900
BB8481	1800	BB9188	1205	BB18361	2201	BB21727	1900
BB8482	1800	BB9189	1205	BB18362	2201	BB21728	1900
BB8483	1800	BB9190	1205	BB18364	2201	BB21729	1900
BB8484	1800	BB9191	1205	BB18365	2201	BB21730	1900
BB8485	1800	BB9192	1205	BB18366	2201	BB21731	1900
BB8486	1800	BB9193	1205	BB18367	2201	BB21732	1900
BB8487	1800	BB9194	1205	BB18368	2201	BB21733	1900
BB8488	1800	BB9195	1205	BB18402	1800	BB21734	1900
BB8491	1801	BB9196	1205	BB18403	1800	BB21735	1900
BB8496	1800	BB9197	1205	BB18404	1800	BB21736	1900
BB8497	1800	BB9198	1205	BB18405	1800	BB21737	1900
BB8498	1800	BB9199	1205	BB18406	1800	BB21738	1900
BB8746	0607	BB9200	1205	BB18407	1800	BB21739	1900
BB8782	0607	BB9203	1205	BB18408	1800	BB21740	1900
BB8783	0607	BB9204	1205	BB18409	1800	BB21741	1900
BB8784	0607	BB9205	1910	BB18410	1800	BB21742	1900
BB8796	0607	BB9206	1910	BB18411	1800	BB21743	1900
BB9100	1205	BB9207	1910	BB18412	1800	BB21744	1900
BB9101	1205	BB9208	1910	BB18413	1800	BB21745	1900
BB9102	1205	BB11314	0107	BB18414	1800	BB21746	1900
BB9103	1205	BB11315	0107	BB18415	1800	BB21747	1900
BB9104	1205	BB11403	0107	BB18416	1800	BB21748	1900
BB9105	1205	BB11408	0107	BB18417	1800	BB21751	1900
BB9106	1205	BB11409	0107	BB18418	1800	BB21752	1900
BB9107	1205	BB11410	0107	BB18419	1800	BB21753	1900
BB9108	1205	BB11411	0107	BB18420	1800	BB21755	1900
BB9110	1205	BB11412	0107	BB18438	1800	BB21756	1900
BB9111	1205	BB11413	0107	BB18439	1800	BB21757	1900
BB9112	1205	BB11699	1900	BB19109	1205	BB21758	1900
BB9113	1205	BB11700	1900	BB21010	0101	BB21759	1900
BB9114	1205	BB11701	1900	BB21085	0104	BB21760	1900
BB9115	1205	BB11702	1900	BB21090	0104	BB21761	1900
BB9116	1205	BB11704	1900	BB21093	0104	BB21762	1900
BB9117	1205	BB11705	1900	BB21094	0104	BB21763	1900
BB9118	1205	BB11707	1900	BB21095	0104	BB21766	1900
BB9119	1205	BB11708	1900	BB21096	0104	BB21767	1900
BB9120	1205	BB11709	1900	BB21097	0104	BB21768	1900
BB9121	1205	BB11710	1900	BB21101	0104	BB21769	1900
BB9122	1205	BB11711	1900	BB21191	0101	BB21770	1900
BB9123	1205	BB11712	1900	BB21192	0101	BB21771	1900
BB9124	1205	BB11713	1900	BB21193	0101	BB21772	1900
BB9125	1205	BB11714	1900	BB21323	0102	BB21773	1900
BB9126	1205	BB11715	1900	BB21400	0107	BB21774	1900
BB9127	1205	BB11716	1900	BB21401	0107	BB21775	1900
BB9128	1205	BB11717	1910	BB21402	0107	BB21776	1900
BB9129	1205	BB11718	1910	BB21403	0107	BB21777	1900
BB9130	1205	BB11719	1910	BB21404	0101	BB21778	1900
BB9131	1205	BB11720	1910	BB21405	0107	BB21779	1900
BB9132	1205	BB11721	1910	BB21421	0107	BB21780	1900
BB9133	1205	BB11722	1910	BB21430	0107	BB21786	1900
BB9134	1205	BB11723	1910	BB21432	0107	BB21787	1900
BB9135	1205	BB11724	1910	BB21500	0101	BB21789	1900
BB9136	1205	BB11725	1910	BB21501	0101	BB21790	1900
BB9137	1205	BB11726	1910	BB21502	0101	BB21791	1900
BB9138	1205	BB11728	1910	BB21544	0101	BB21792	1900
BB9140	1205	BB11729	1910	BB21700	1900	BB21793	1900
BB9150	1205	BB11730	1910	BB21701	1900	BB21795	1900
BB9152	1205	BB11731	1910	BB21703	1900	BB22000	0701
BB9153	1205	BB11732	1900	BB21704	1900	BB22001	0701
BB9156	1205	BB11733	1900	BB21705	1900	BB22004	0203
BB9158	1205	BB11734	1900	BB21706	1900	BB22005	0203
BB9159	1205	BB11735	1900	BB21707	1900	BB22006	0203
BB9160	1205	BB11736	1900	BB21708	1900	BB22009	0701
BB9163	1205	BB11736	1900	BB21709	1900	BB22010	0701
BB9164	1209	BB11737	1900	BB21710	1900	BB22011	0701
BB9165	1209	BB12072	0201	BB21711	1900	BB22011	0805
BB9166	1209	BB13871	0302	BB21713	1900	BB22041	0203
BB9170	1209	BB13878	0302	BB21714	1900	BB22042	0203
BB9172	1209	BB13881	0302	BB21715	1900	BB22043	0203
BB9173	1209	BB13882	0302	BB21716	1900	BB22044	0203
BB9174	1209	BB14103	1403	BB21717	1900	BB22045	0203
BB9175	1209	BB16013	1102	BB21718	1900	BB22046	0203
BB9176	1209	BB16029	1203	BB21719	1900	BB22059	0805
BB9177	1209	BB17403	0501	BB21720	1900	BB22060	0805
BB9178	1209	BB17405	0501	BB21721	1900	BB22061	0701
BB9179	1205	BB17405	0501	BB21722	1900	BB22062	0805
BB9180	1205	BB17405	0501	BB21724	1900	BB22063	0701

NUMERICAL INDEX—Continued

Part No.	Group	Part No.	Group	Part No.	Group	Part No.	Group
BB22064	0805	BB22189	0706	BB22288	0805	BB23370	0108
BB22065	0805	BB22190	0706	BB22288	0809	BB23371	0108
BB22066	0805	BB22191	0706	BB22289	0805	BB23372	0108
BB22067	0701	BB22192	0706	BB22290	0805	BB23373	0108
BB22068	0701	BB22193	0706	BB22291	0801	BB23380	0105
BB22069	0805	BB22194	0706	BB22292	0801	BB23381	0105
BB22070	0201	BB22195	0706	BB22293	0805	BB23382	0105
BB22071	0201	BB22196	0706	BB22293	0809	BB23383	0105
BB22072	0202	BB22197	0706	BB22294	0805	BB23384	0105
BB22073	0202	BB22198	0706	BB23206	0503	BB23385	0105
BB22074	0201	BB22199	0706	BB23207	0503	BB23386	0105
BB22075	0701	BB22199	0809	BB23208	0503	BB23387	0105
BB22076	0701	BB22200	0706	BB23210	0503	BB23391	0105
BB22077	0801	BB22200	0805	BB23217	0503	BB23400	0105
BB22078	0701	BB22200	0809	BB23218	0503	BB23401	0101
BB22079	0801	BB22203	0706	BB23219	0503	BB23405	0105
BB22080	0701	BB22203	0805	BB23220	0503	BB23406	0101
BB22081	0801	BB22205	0706	BB23221	0503	BB23407	0105
BB22082	0702	BB22207	0701	BB23222	0503	BB23408	0105
BB22115	0703	BB22208	0701	BB23223	0503	BB23412	0105
BB22116	0703	BB22210	0706	BB23224	0503	BB23414	0105
BB22117	0703	BB22211	0706	BB23225	0503	BB23415	0105
BB22118	0703	BB22212	0706	BB23226	0503	BB23417	0105
BB22125	0704	BB22212	0805	BB23230	0503	BB23418	0105
BB22126	0703	BB22213	0706	BB23235	0503	BB23420	0105
BB22129	0703	BB22214	0706	BB23236	0503	BB23429	0105
BB22129	0802	BB22215	0706	BB23300	0101	BB23430	0105
BB22130	0702	BB22215	0805	BB23302	0101	BB23432	0105
BB22131	0702	BB22216	0706	BB23303	0101	BB23444	0109
BB22132	0703	BB22217	0706	BB23319	0101	BB23445	0109
BB22133	0702	BB22218	0706	BB23311	0101	BB23446	0109
BB22134	0702	BB22220	0701	BB23312	0101	BB23447	0109
BB22135	0702	BB22220	0706	BB23313	0101	BB23450	0103
BB22136	0703	BB22221	0706	BB23314	0101	BB23452	0103
BB22136	0802	BB22222	0706	BB23315	0101	BB23453	0103
BB22138	0703	BB22222	0805	BB23316	0301	BB23459	0101
BB22139	0703	BB22223	0706	BB23317	0301	BB23460	0103
BB22144	0702	BB22224	0706	BB23318	0301	BB23461	0103
BB22145	0703	BB22225	0701	BB23319	0301	BB23467	0103
BB22145	0802	BB22225	0809	BB23320	0301	BB23470	0103
BB22146	0702	BB22250	0801	BB23321	0301	BB23471	0103
BB22147	0703	BB22251	0802	BB23322	0301	BB23472	0103
BB22147	0802	BB22252	0802	BB23323	0301	BB23473	0103
BB22148	0702	BB22252	0803	BB23324	0301	BB23480	0103
BB22150	0702	BB22253	0802	BB23325	0301	BB23481	0103
BB22151	0702	BB22254	0802	BB23326	0301	BB23482	0103
BB22152	0702	BB22255	0802	BB23327	0301	BB23483	0103
BB22153	0702	BB22256	0802	BB23328	0301	BB23510	0106
BB22154	0702	BB22257	0802	BB23329	0301	BB23511	0106
BB22155	0702	BB22258	0802	BB23330	0108	BB23512	0106
BB22156	0702	BB22259	0802	BB23331	0108	BB23513	0106
BB22158	0703	BB22261	0802	BB23332	0108	BB23530	0107
BB22159	0703	BB22262	0802	BB23333	0108	BB23531	0107
BB22160	0703	BB22262	0809	BB23334	0101	BB23535	0107
BB22161	0703	BB22263	0802	BB23337	0108	BB23536	0101
BB22162	0703	BB22264	0802	BB23340	0108	BB23536	0107
BB22162	0803	BB22265	0802	BB23341	0301	BB23537	0101
BB22163	0703	BB22266	0802	BB23342	0301	BB23539	0101
BB22164	0703	BB22267	0802	BB23343	0108	BB23550	0101
BB22170	0702	BB22268	0802	BB23350	0108	BB23551	0101
BB22171	0703	BB22269	0802	BB23351	0108	BB23552	0101
BB22171	0809	BB22270	0802	BB23352	0108	BB23555	0101
BB22172	0703	BB22272	0802	BB23353	0108	BB23556	0101
BB22173	0704	BB22273	0802	BB23354	0108	BB23557	0101
BB22173	0809	BB22274	0802	BB23355	0108	BB23574	0107
BB22174	0704	BB22275	0802	BB23356	0108	BB23576	0107
BB22176	0702	BB22276	0802	BB23357	0108	BB23577	0107
BB22179	0702	BB22277	0802	BB23358	0108	BB23578	0107
BB22180	0701	BB22278	0803	BB23359	0108	BB23581	0107
BB22181	0701	BB22279	0803	BB23360	0108	BB23584	0107
BB22182	0706	BB22280	0803	BB23361	0108	BB23590	0102
BB22183	0706	BB22281	0803	BB23362	0108	BB23591	0102
BB22183	0809	BB22292	0803	BB23363	0108	BB23592	0102
BB22184	0701	BB22283	0702	BB23364	0108	BB23593	0102
BB22184	0805	BB22284	0802	BB23365	0108	BB23594	0102
BB22185	0706	BB22285	0803	BB23366	0108	BB23595	0102
BB22186	0706	BB22286	0801	BB23367	0108	BB23596	0102
BB22187	0706	BB22286	0809	BB23368	0108	BB23597	0102
BB22188	0706	BB22287	0805	BB23369	0108	BB23598	0102

NUMERICAL INDEX — Continued

Part No.	Group	Part No.	Group	Part No.	Group	Part No.	Group
BB23606	0109	BB23720	0101	BB23857	0302	BB25160	1402
BB23607	0101	BB23721	0101	BB23858	0302	BB25161	1402
BB23610	0109	BB23722	0101	BB23861	0302	BB25164	1203
BB23611	0101	BB23723	0101	BB23862	0302	BB25165	1203
BB23612	0102	BB23728	0101	BB23863	0302	BB25166	1203
BB23613	0102	BB23750	0503	BB23864	0302	BB25168	1302
BB23614	0102	BB23751	0503	BB23865	0302	BB25169	
BB23615	0102	BB23752	0503	BB23866	0302	BB25170	
BB23617	0102	BB23753	0503	BB23867	0302	BB25171	
BB23618	0102	BB23754	0503	BB23868	0302	BB25172	
BB23619	0102	BB23755	0503	BB23869	0302	BB25173	
BB23620	0109	BB23761	0503	BB23870	0302	BB25174	
BB23621	0102	BB23762	0503	BB23871	0302	BB25175	
BB23622	0102	BB23763	0503	BB23880	1205	BB15176	
BB23625	0102	BB23764	0503	BB23882	0302	BB25177	
BB23626	0102	BB23766	0503	BB23883	0302	BB25180	
BB23627	0102	BB23767	0503	BB23884	0302	BB25181	
BB23628	0102	BB23768	0503	BB23885	0302	BB25182	
BB23630	0102	BB23769	0503	BB23886	0302	BB25187	1302
BB23631	0102	BB23770	0503	BB23887	0302	BB26001	1101
BB23632	0102	BB23771	0503	BB23888	1205	BB26002	1101
BB23633	0102	BB23772	0503	BB23889	1205	BB26003	1101
BB23634	0102	BB23773	0503	BB23890	1205	BB26004	1100
BB23637	0102	BB23777	0503	BB23891	1205	BB26005	1100
BB23638	0102	BB23778	0503	BB23892	1205	BB26006	1100
BB23639	0102	BB23780	0503	BB23895	0107	BB26007	1100
BB23640	0102	BB23781	0503	BB23896	0107	BB26008	1100
BB23642	0102	BB23782	0503	BB23897	0107	BB26009	1100
BB23643	0102	BB23783	0503	BB24101	1403	BB26010	1100
BB23644	0102	BB23784	0503	BB24108	1403	BB26011	1100
BB23645	0102	BB23785	0503	BB24122	1403	BB26012	1100
BB23646	0102	BB23786	0503	BB24125	1403	BB26020	1203
BB23649	0102	BB23789	0503	BB24129	1403	BB26021	1203
BB23650	0102	BB23793	0503	BB24130	1403	BB26022	1207
BB23651	0102	BB23796	0503	BB24138	1403	BB26023	1207
BB23652	0102	BB23800	0107	BB24141	1403	BB26024	1207
BB23653	0102	BB23801	0101	BB24151	1403	BB26027	1203
BB23655	0102	BB23802	0107	BB24153	1403	BB26028	1203
BB23656	0102	BB23803	0107	BB24154	1403	BB26030	1203
BB23657	0102	BB23804	0107	BB24179	1403	BB26031	1208
BB23658	0102	BB23805	0107	BB25102	1001	BB26040	1101
BB23660	0102	BB23806	0107	BB25110	1006	BB26041	1102
BB23661	0102	BB23807	0107	BB25111	1006	BB26042	1102
BB23662	0102	BB23808	0107	BB25112	1006	BB26058	1101
BB23663	0102	BB23809	0107	BB25113	1006	BB26059	1101
BB23665	0503	BB23810	0107	BB25114	1006	BB26068	1103
BB23666	0503	BB23811	0107	BB25115	1006	BB26071	1203
BB23669	0302	BB23812	0107	BB25116	1006	BB26072	1203
BB23670	0106	BB23813	0107	BB25117	1006	BB26073	1203
BB23671	0106	BB23814	0107	BB25118	1006	BB26077	1202
BB23672	0106	BB23815	0107	BB25119	1006	BB26078	1207
BB23673	0106	BB23816	0107	BB25120	1006	BB26080	1207
BB23675	0106	BB23817	0107	BB25123	1301	BB26081	1207
BB23676	0106	BB23818	0107	BB25124	1301	BB26082	1207
BB23680	0106	BB23820	0107	BB25125	1301	BB26083	1207
BB23681	0102	BB23821	0107	BB25126	1301	BB26084	1207
BB23682	0102	BB23822	0107	BB25127	1301	BB26085	1207
BB23683	0102	BB23823	0107	BB25128	1301	BB26200	1103
BB23684	0102	BB23824	0107	BB25130	1006	BB26201	1103
BB23685	0106	BB23825	0107	BB25132	1006	BB26202	1103
BB23687	0106	BB23826	0107	BB25133	1006	BB26203	1103
BB23688	0106	BB23827	0107	BB25134	1006	BB26204	1103
BB23689	0106	BB23828	0107	BB25135	1203	BB26205	1103
BB23690	0106	BB23829	0107	BB25136	1203	BB26205	1105
BB23691	0106	BB23830	0107	BB25137	1203	BB26206	1103
BB23692	0106	BB23831	0107	BB25138	1203	BB26207	1103
BB23693	0106	BB23835	0107	BB25144	1207	BB26208	1103
BB23695	0601	BB23836	0107	BB25145	1207	BB26209	1103
BB23696	0601	BB23840	0302	BB25146	1207	BB26210	1105
BB23697	0601	BB23841	0302	BB25150	1208	BB26211	1105
BB23698	0601	BB23842	0302	BB25151	1208	BB26212	1105
BB23699	0601	BB23843	0107	BB25152	1203	BB26213	1105
BB23700	0106	BB23844	0302	BB25153	1006	BB26214	1105
BB23701	0106	BB23845	0302	BB25154	1006	BB26215	1103
BB23702	0106	BB23846	0302	BB25155	1006	BB26216	1103
BB23703	0106	BB23847	0302	BB25156	1006	BB26217	1103
BB23704	0503	BB23848	0302	BB25157	1203	BB26218	1104
BB23705	0106	BB23849	0302	BB25158	1203	BB26219	1104
BB23709	0106	BB23850	0302	BB25159	1203	BB26220	1104

NUMERICAL INDEX — Continued

Part No.	Group	Part No.	Group	Part No.	Group	Part No.	Group
BB26221	1104	BB27205	0809	BB28499	1800	BB29174	1205
BB26222	1104	BB27206	0809	BB28701	2203	BB29175	1205
BB26225	1105	BB27207	0809	BB28702	2203	BB29176	1205
BB26228	1105	BB27208	0809	BB28728	0107	BB29177	1205
BB26229	1105	BB27209	0809	BB28728	0605	BB29178	1205
BB26230	1105	BB27210	0809	BB28730	0605	BB29179	1205
BB26231	1105	BB27211	0809	BB28731	0605	BB29180	1205
BB26232	1105	BB27212	0809	BB28734	0107	BB29181	1205
BB26233	1105	BB27213	0809	BB28734	0605	BB29182	1205
BB26234	1105	BB27214	0809	BB28735	0605	BB29183	1205
BB26235	1105	BB27215	0809	BB28736	0605	BB29184	1205
BB26236	1105	BB27216	0809	BB28738	0605	BB29185	1205
BB26237	1105	BB27217	0809	BB28740	0107	BB29186	1205
BB26238	1105	BB27300	0302	BB28760	0608	BB29187	1205
BB26239	1105	BB27301	0302	BB28761	0608	BB29188	1205
BB26240	1105	BB27302	0302	BB28762	0608	BB29189	1205
BB26241	1105	BB27303	0302	BB28763	0608	BB29190	1205
BB26242	1105	BB27304	0302	BB28764	0608	BB29191	1205
BB26243	1105	BB27305	0302	BB28770	0607	BB29192	1205
BB26244	1105	BB27306	0302	BB28771	0607	BB29193	1205
BB26245	1105	BB27307	0302	BB28772	0607	BB29194	1205
BB26246	1105	BB27330	1704	BB28773	0607	BB29195	1205
BB26247	1105	BB27331	1704	BB28774	0607	BB29196	1205
BB26248	1105	BB27332	1704	BB28775	0607	BB29197	1205
BB26249	1105	BB27333	1704	BB28776	0607	BB29198	1205
BB26250	1105	BB27401	0501	BB28777	0607	BB29199	1205
BB26251	1105	BB27402	0501	BB28778	0607	BB29200	1205
BB26252	1105	BB27403	0501	BB28779	0607	BB29201	1205
BB26253	1105	BB27404	0501	BB28780	0607	BB29202	1205
BB26254	1105	BB27405	0501	BB28781	0607	BB29203	1205
BB26255	1105	BB27406	0501	BB28782	0607	BB29204	1205
BB26256	1105	BB27407	0501	BB28783	0607	BB29205	1205
BB26260	1103	BB27408	0501	BB28784	0607	BB29206	1205
BB26261	1105	BB27409	0501	BB28785	0607	BB29207	1205
BB26273	1105	BB27410	0501	BB28786	0607	BB29208	1205
BB26275	1301	BB27411	0501	BB28787	0607	BB29209	1205
BB26280	1302	BB27412	0501	BB28788	0607	BB29210	1205
BB26283	1302	BB27413	0501	BB28789	0607	BB29211	1205
BB26284	1302	BB27414	0501	BB28790	0607	BB29212	1205
BB26285	1302	BB27415	0501	BB28791	0607	BB29213	1205
BB26286	1302	BB27416	0501	BB28792	0607	BB29214	1205
BB26288	1302	BB27420	0501	BB28793	0607	BB29215	1205
BB26289	1302	BB27523	1502	BB28794	0607	BB29216	1205
BB27147	0902	BB27524	1502	BB28795	0607	BB29217	1205
BB27150	1100	BB27525	1502	BB28796	0607	BB29218	1205
BB27150	1500	BB27526	1502	BB28797	0607	BB29219	1205
BB27151	1100	BB27527	1502	BB28798	0607	BB29220	1205
BB27152	0902	BB27528	1502	BB28799	0607	BB29221	1205
BB27154	1100	BB27529	1502	BB28800	0607	BB29222	1205
BB27155	1100	BB27530	1502	BB28801	0607	BB29223	1205
BB27156	1100	BB27531	1502	BB28802	0607	BB29224	1205
BB27157	1100	BB27532	1502	BB28803	0607	BB29225	1205
BB27158	1100	BB27533	1502	BB28804	0607	BB29226	1205
BB27159	1100	BB27534	1502	BB28805	0607	BB29227	1205
BB27160	1100	BB27535	1502	BB28806	0607	BB29228	1205
BB27161	1100	BB27536	1502	BB28807	0607	BB29229	1205
BB27162	1100	BB27537	1502	BB28808	0607	BB29230	1205
BB27164	1100	BB27538	1502	BB28809	0607	BB29231	1205
BB27165	0902	BB27772	0505	BB28810	0607	BB29232	1205
BB27170	1100	BB27773	0505	BB28811	0607	BB29233	1205
BB27171	1100	BB27775	0502	BB28812	0607	BB29234	1205
BB27172	1100	BB27777	0505	BB28813	0607	BB29235	1205
BB27173	0902	BB27778	0505	BB28814	0607	BB29236	1205
BB27179	1100	BB27779	0505	BB28815	0607	BB29237	1205
BB27180	1100	BB27780	0505	BB28816	0607	BB29238	1205
BB27181	1100	BB27781	0505	BB28817	0607	BB29239	1205
BB27185	1100	BB28015	0203	BB28818	0607	BB29240	1205
BB27186	1100	BB28050	1201	BB28819	0607	BB29241	1205
BB27187	1100	BB28412	1800	BB28820	0607	BB29242	1205
BB27188	1100	BB28413	1800	BB28821	0607	BB29243	1205
BB27190	0902	BB28445	1800	BB28822	0607	BB29244	1205
BB27191	0902	BB28474	1801	BB28823	0607	BB29245	1205
BB27195	0902	BB28476	1801	BB28824	0607	BB29246	1205
BB27196	0902	BB28478	1801	BB28825	0607	BB29247	1205
BB27200	0902	BB28479	1801	BB28826	0607	BB29248	1205
BB27201	0809	BB28481	1801	BB28827	0607	BB29249	1205
BB27202	0809	BB28482	1801	BB28828	0607	BB29250	1205
BB27203	0809	BB28485	1801	BB28829	0607	BB29251	1205
BB27204	0809	BB28492	1801	BB28830	0607	BB29252	1205

NUMERICAL INDEX—Continued

Part No.	Group	Part No.	Group	Part No.	Group	Part No.	Group
BB25293	1205	17187F	0902	17175J	0902	46428J	1207
BB29294	1205	17188F	0902	17180J	0902	46429J	1205
4317C	1403	17190F	0902	17181J	0902	46429J	1207
4355C	1403	17825F	0107	17182J	0902	47172J	0902
6043C	1301	18741F	0607	17185J	0902	56022J	1203
6364C	1203	18742F	0607	17186J	0902	56030J	1202
6562C	1103	18743F	0607	17187J	0902	56031J	1202
6703C	1100	18744F	0607	18483J	1801	56033J	1202
6703C	1101	18745F	0607	18751J	0607	56034J	1202
6703C	1203	18746F	0607	18752J	0607	56035J	1202
6703C	1207	18747F	0607	18753J	0607	56036J	1202
6703C	1402	18748F	0607	18807J	1201	56037J	1202
7039C	0902	18749F	0607	18808J	1201	56038J	1202
12311C	1504	18806F	1201	18809J	1201	56610J	1202
14339C	1403	18809F	1201	18810J	1201	56620J	1202
15109C	1006	18810F	1201	18811J	1201	56621J	1202
15147C	1207	18812F	1201	18812J	1201	56645J	1202
15161C	1402	18814F	1201	18835J	1201	56690J	1202
16224C	1203	18815F	1201	18839J	1201	66030J	1202
18051C	1201	18816F	1201	18841J	1201	66031J	1202
18052C	1201	18817F	1201	18856J	1201	6052M	1202
18053C	1201	18838F	1201	22076J	0202	8376M	1202
18054C	1201	18839F	1201	22077J	0202	8380M	1202
18055C	1201	18840F	1201	22078J	0202	8502M	0609
18056C	1201	18843F	1201	22079J	0202	8503M	0609
18842C	1201	18844F	1201	22080J	0202	8506M	0609
19111C	1205	18847F	1201	22081J	0202	8508M	0609
19112C	1205	19085F	1205	22082J	0202	8527M	0609
19113C	1205	19094F	1205	22083J	0203	8533M	0609
19114C	1205	25136F	1402	22084J	0203	15991M	1301
19116C	1205	25137F	1402	22085J	0203	17181M	1101
19141C	1205	25138F	1402	22086J	0202	17182M	1101
19195C	1205	25139F	1402	22087J	0202	17192M	1206
19196C	1205	25176F	1402	22088J	0202	18506M	0609
19197C	1205	26026F	1203	22089J	0202	18507M	0609
19198C	1205	26871F	1102	22090J	0203	18523M	0609
26021C	1203	27175F	0902	22091J	0203	18526M	0609
26022C	1203	27180F	0902	22092J	0203	18530M	0609
26023C	1203	27189F	0902	24311J	1403	18531M	0609
26024C	1203	31027F	0108	24338J	1403	19220M	1209
26027C	1203	31106F	0302	25134J	1006	27962M	1209
26028C	1203	31107F	0302	25177J	1402	28501M	0609
26046C	1203	31385F	0107	25179J	1402	28505M	0609
36425C	1207	31387F	0107	26013J	1203	28507M	0609
36429C	1205	31390F	0107	26014J	1203	28523M	0609
36429C	1207	31391F	0107	26918J	1301	28524M	0609
36431C	1207	31393F	0107	27174J	0902	28526M	0609
36434C	1207	35093F	1203	27183J	0902	28530M	0609
36435C	1207	35178F	1402	27185J	0902	28531M	0609
36503C	1203	35179F	1402	27186J	0902	36626M	1105
38020C	0609	35234F	1006	28805J	1201	36982M	1301
41412C	0101	36021F	1203	28653J	1201	37962M	0609
41412C	0503	36426F	1207	31227J	0107	1104R	0102
41412C	0505	45180F	1402	31239J	0302	1104R	0105
46430C	1207	46437F	1207	31305J	0505	1104R	0106
46432C	1207	46632F	1301	31319J	0106	1104R	0107
6046F	1105	47231F	1100	31320J	0601	1224R	0505
6050F	1105	51166F	0102	31323J	0601	1231R	0108
6059F	1102	51166F	0106	31356J	0107	1246R	0102
6059F	1302	55181F	1402	31359J	1205	1267R	0101
11224F	0101	56027F	1203	31363J	0109	1267R	0102
11338F	0107	1222H	0107	35178J	1402	1240R	0108
11338F	0503	1434J	1403	36004J	1101	8105R	0609
11339F	0151	5178J	1207	36022J	1203	8377R	1201
11339F	0106	6062J	1601	36426J	1207	13352R	0302
11339F	0503	6260J	1100	36429J	1207	13362R	0101
15135F	1005	6561J	1103	36434J	1207	13392R	0105
15135F	1402	7165J	0902	36456J	1203	13393R	0105
16046F	1103	14306J	1403	36911J	1301	13395R	0105
16046F	1301	16558J	1203	36968J	1302	13396R	0105
16047F	1301	16887J	1203	36969J	1302	13397R	0105
16050F	1301	16888J	1102	37172J	0902	13431R	0101
16542F	1203	16888J	1301	37174J	0902	13543R	0107
16879F	1102	16890J	1301	37187J	0902	13544R	0107
17187F	0902	16892J	1301	38837J	1201	13545R	0107
17187F	0902	16919J	1301	38848J	1201	13546R	0107
17188F	0902	17150J	0902	38853J	1201	13561R	0106
17188F	0902	17155J	0902	46012J	1203	13566R	0101
17188F	0902	17165J	0902	46427J	1207	13713R	0105

NUMERICAL INDEX—Continued

Part No.	Group	Part No.	Group	Part No.	Group	Part No.	Group
13733R	0302	DT7369	0300	DX215A	1402	DX262	0503
13734R	0302	DX100	0108	DX215B	1100	DX262	0701
13777R	0302	DX101	0302	DX218B	1103	DX262	0802
13798R	0601	DX103	0108	DX219A	1100	DX264	1502
13823R	0107	DX104	0108	DX221B	1100	DX269	1100
13915R	0107	DX105	0302	DX222B	1502	DX275	0702
15225A	0302	DX105	1203	DX223	1401	DX277	0106
	0302	DX105	1208	DX223B	0703	DX277	0601
	0302	DX109B	1201	DX223B	0802	DX278	0106
	0302	DX110	1208	DX227	0107	DX281	0704
	0302	DX110A	0101	DX227	0601	DX284	0503
	1404	DX110A	0701	DX228	1006	DX287A	0107
	1201	DX110A	0704	DX233A	0106	DX287D	0106
	1201	DX110A	0706	DX250	0501	DX287E	0503
	0101	DX110A	0801	DX250	1202	DX287F	0203
	1203	DX110A	0809	DX250	1205	DX299E	0503
	0105	DX112	0105	DX250	1302	DX416L	1800
	0302	DX112	0107	DX250A	1205	DX418GG	1800
	1800	DX112	0302	DX251	0107	DX423A	0505
	1800	DX112	0503	DX251	0605	DX427B	1403
	0107	DX112	0701	DX251	1205	DX439H	1502
41418R	0302	DX112	0703	DX252	0706	DX439PP	1403
48401R	1800	DX112	0802	DX252	0805	DX439QQ	1403
48415R	1800	DX112	0803	DX252	1201	DX485	1203
48416R	1800	DX112	0809	DX252	1205	DX531	1209
57978R	0107	DX112	1103	DX252	1502	DX533J	1209
58407R	1800	DX113	0703	DX253	0302	DX533P	0302
58408R	1800	DX113	0801	DX253	1203	DX533P	1209
61274R	0101	DX114	0503	DX253	1208	DX533AB	1209
6970W	1302	DX114	0703	DX254	0101	DX533AC	1209
66309W	0503	DX114	0802	DX254	0105	DX533AD	1209
16311W	0503	DX122	0101	DX254	0107	DX533AE	1209
18226W	1800	DX122	0701	DX254	0108	DX533AR	0302
24339W	1403	DX132	0302	DX254	0302	DX533GB	0605
25028W	1302	DX133	0101	DX254	0503	DX533CC	0605
25029W	1302	DX133	0106	DX254	0505	DX533TT	1209
25030W	1302	DX133	0503	DX254	0701	DX540A	1209
34360W	1404	DX133	0801	DX254	0703	DX552	0501
34365W	1404	DX134	0101	DX254	0704	DX553	0302
34367W	1404	DX134	1203	DX254	0706	DX556	1403
34368W	1404	DX135	0108	DX254	0801	DX573	0203
34369W	1404	DX135	0801	DX254	0602	DX577	1201
34370W	1404	DX142A	0108	DX254	0805	DX577	0202
34372W	1404	DX142E	0101	DX254	0809	DX577	0505
34373W	1404	DX142F	0107	DX254	1103	DX580	1205
34375W	1404	DX156	0101	DX254	1202	DX581	0302
DT444T	1800	DX156	0107	DX254	1205	DX581	0706
DT764B	1800	DX156	0109	DX254	1208	DX581	0805
DT779BG	0803	DX157	1101	DX255	0202	DX581	1205
DT1148CD	1205	DX158	0101	DX255	1201	DX582	1502
DT1148CE	1205	DX164	0109	DX255	1403	DX586A	0601
DT3550	1704	DX176	0501	DX256	0101	DX586C	1205
DT3661	1800	DX176	1201	DX256	0302	DX586D	0706
DT3722B	1800	DX176	1208	DX256	1100	DX586L	1201
DT3768C	1800	DX177	0108	DX256	1203	DX586LL	1703
DT3768E	0504	DX177	0505	DX256	1205	DX586QQ	1203
DT3802A	0204	DX177	1201	DX257	0607	DX586RR	0106
DT3802A	1204	DX177	1202	DX257	0701	DX586SS	1205
DT3835	0300	DX179	0706	DX258	0101	DX599	1205
DT3851	0303	DX179	1102	DX258	0105	DX599B	1502
DT3997	1800	DX179	1103	DX258	0106	DX599C	0607
DT4099H	0505	DX179	1302	DX258	0107	DX599C	0805
DT4143AR	0107	DX188	0106	DX258	0108	DX599C	0809
DT4143AR	0607	DX212	0706	DX258	0302	DX599C	1205
DT4143AS	0607	DX212	1205	DX258	0505	DX599E	1205
DT4143AU	0603	DX212B	0802	DX258	0505	DX599E	1201
DT4143AV	0610	DX213	0106	DX258	0801	DX599W	1105
DT4143AV	1209	DX213	0501	DX258	0802	DX599DD	0802
DT4143AV	1800	DX214	1201	DX259	0302	DX609	1100
DT4143AZ	1209	DX214A	0503	DX259	1006	DX609	1203
DT4143BB	2203	DX214A	1502	DX259	1102	DX609	1205
DT4161A	0605	DX215	0101	DX259	1103	DX611	1100
DT4161E	1800	DX215	0107	DX259	1203	DX611	1502
DT4161M	0507	DX215	1006	DX259	1207	DX611A	0107
DT5055A	0502	DX215	1205	DX259	1403	DX611A	1203
DT6020DP	1602	DX215	1207	DX260	1105	DX611B	1205
DT6026	1212	DX215B	0701	DX262	0101	DX611	1205
DT6261Z	1602	DX215P	0809	DX262	0107	DX611	1205
DT7304A	0610	DX215A	1207	DX262	0109	DX611G	1205

NUMERICAL INDEX—Continued

Part No.	Group	Part No.	Group	Part No.	Group	Part No.	Group
DX611G	0801	DX3590BA	0304	DX5741A	2300	DX6080	2300
DX611G	1101	DX3590BC	0304	DX5744A	0602	DX6082	0501
DX611J	0101	DX3590BE	0302	DX5744A	0609	N1134B	15
DX611J	1101	DX3590BF	0302	DX5744B	0606	N1134B	0939
DX615	0300	DX3590BF	1209	DX5744C	2300	N1134B	1201
DX615	0302	DX3590BG	0302	DX5776	2300	N1134U	204
DX615	1203	DX3590BG	1209	DX5777	2300	N1134V	24
DX615	1205	DX3590BH	0304	DX5788A	0501	N1172	
DX640	1001	DX3590JJ	0107	DX5790	2201	N1251H	
DX640	1102	DX3936	0300	DX5801A	0605	N1251L	
DX641	1403	DX4067	0605	DX5802	1703	N1304G	
DX664B	1501	DX4112A	1800	DX5806A	0605	N1348N	
DX674G	0809	DX4136	1209	DX5809A	0608	N1373	
DX692	0107	DX4143AZ	1209	DX5814	0606	N1396	
DX693	1800	DX4166	0809	DX5847	0608	N1452	
DX804A	0504	DX4219A	0605	DX5848	0607	N1462A	
DX852	0605	DX4256	1800	DX5877	2201	N1463F	
DX852	1801	DX4256A	1405	DX5882	0605	N1464	
DX1032C	0101	DX4256G	1800	DX5882	0605	N1466	
DX1032C	0109	DX4289H	0108	DX5884	0107	N1468L	70
DX1032C	0701	DX4289H	0302	DX5885	0605	N1468R	1704
DX1032C	0802	DX4289H	2201	DX5886	0605	N1474R	1203
DX1032C	1100	DX4289K	0106	DX5887	0605	N1477	0603
DX1032C	1201	DX4289K	2201	DX5888	0605	N1482A	1203
DX1032C	1203	DX4299H	0108	DX5889	0605	N1544	2201
DX1032C	1402	DX4357A	2201	DX5890	0605	N1567D	1500
DX1091	0107	DX4478A	0605	DX5891	0605	N1567F	2101
DX1091	0503	DX4533	1800	DX5892	0605	N1567J	1502
DX1091	1006	DX4574	0504	DX5897	0605	N1572	0200
DX1091	1201	DX4574	0505	DX5901A	2203	N1590	0601
DX1091	1207	DX4666	0605	DX5907	0606	N1593	0605
DX1091	1403	DX4801C	0610	DX5915	2203	N1640	1101
DX2083	0304	DX4801C	1209	DX5916	2203	N2199A	1800
DX2709	0302	DX4801E	0505	DX5917	0605	N2427	1910
DX2709	0605	DX4843	1800	DX5918	0605	N2451	0809
DX2709	1209	DX4869A	0605	DX5919	0600	N2474	1200
DX2725	0302	DX4869A	1801	DX5920	0600	N2480A	1704
DX2725	0505	DX4869J	0304	DX5920A	0805	N2480B	1704
DX2725	1209	DX4869K	0304	DX5921	0500	N2495	2200
DX2756	0605	DX4906	1404	DX5921A	0809	N2515B	0200
DX2873	0304	DX4916	1404	DX5922	0200	N2567J	1500
DX2873	0505	DX4987	1800	DX5923	1000	N2567J	1500
DX2927	0204	DX5005	0607	DX5924	1100	N2567K	1602
DX2927	1204	DX5069	1800	DX5927A	2300	N2567K	1800
DX3063	1205	DX5072AA	1704	DX5927B	2300	N2567L	1500
DX3064	1205	DX5072	1704	DX5927C	2300	N2567L	2101
DX3072	1209	DX522	1704	DX5927D	2300	N2567M	1500
DX3073	1209	DX5243	1704	DX5927E	2300	N2567Q	1500
DX3082	1205	DX5347	0302	DX5928	0503	N2567R	2101
DX3089D	1209	DX5347	0304	DX5930	1502	N2567S	0610
DX3517	1100	DX5347	0605	DX5931	0605	N2567S	2101
DX3518	1100	DX5347	2203	DX5931A	0107	N2567V	1500
DX3519	1100	DX5375	0609	DX5933	0602	N2567X	1502
DX3522	1100	DX5375A	0609	DX5934	0301	N2567Y	1500
DX3522	1100	DX5375B	0609	DX5935	0601	N2567YA	1500
DX3522	2203	DX5375C	0609	DX5936	0605	N2567BB	1500
DX3522A	0302	DX5375	0609	DX5936	0605	N2568A	0902
DX3522B	0605	DX5375A	1404	DX5940	0605	N2568A	1000
DX3522C	0302	DX5606A	0605	DX5941	0605	N2568A	1201
DX3522D	0605	DX5611	2203	DX5941	0605	N2568A	1203
DX3522E	0605	DX5616	0304	DX5942	0605	N2568A	1402
DX3522F	0605	DX5616B	0304	DX5942	0605	N2568A	1502
DX3522G	0605	DX5622	2300	DX5946	0304	N2568A	1502
DX3522H	0605	DX5644A	0602	DX5948	0304	N2568A	1502
DX3522I	0605	DX5647A	2300	DX5957	2300	N2568L	1503
DX3522J	0605	DX5648	2300	DX5957	2300	N2568D	1503
DX3522K	0605	DX5651A	2300	DX5957	2300	N2568D	1503
DX3522L	0605	DX5653A	2300	DX5957	2300	N2568D	1503
DX3522M	0605	DX5655A	2300	DX5957	2300	N2568D	1503
DX3522N	0605	DX5658A	2300	DX5957	2300	N2568E	1205
DX3522O	0605	DX5673A	2300	DX5957	2300	N2568F	0203
DX3522P	0605	DX5686	2300	DX5957	2300	N2568F	1201
DX3522Q	0605	DX5687	2300	DX5957	2300	N2568F	1212
DX3522R	0605	DX5726	2300	DX5957	2300	N2568F	1401
DX3522S	0605	DX5731	2300	DX5957	2300	N2568F	1601
DX3522T	0605	DX5738A	2300	DX5957	2300	N2568F	1601
DX3522U	0605	DX5738A	2300	DX5957	2300	N2568F	1601
DX3522V	0605	DX5738A	2300	DX5957	2300	N2568F	1601
DX3522W	0605	DX5738A	2300	DX5957	2300	N2568F	1601
DX3522X	0605	DX5738A	2300	DX5957	2300	N2568F	1601
DX3522Y	0605	DX5738A	2300	DX5957	2300	N2568F	1601
DX3522Z	0605	DX5738A	2300	DX5957	2300	N2568F	1601
DX3522AA	0605	DX5738A	2300	DX5957	2300	N2568F	1601
DX3522AB	0605	DX5738A	2300	DX5957	2300	N2568F	1601
DX3522AC	0605	DX5738A	2300	DX5957	2300	N2568F	1601
DX3522AD	0605	DX5738A	2300	DX5957	2300	N2568F	1601
DX3522AE	0605	DX5738A	2300	DX5957	2300	N2568F	1601
DX3522AF	0605	DX5738A	2300	DX5957	2300	N2568F	1601
DX3522AG	0605	DX5738A	2300	DX5957	2300	N2568F	1601
DX3522AH	0605	DX5738A	2300	DX5957	2300	N2568F	1601
DX3522AI	0605	DX5738A	2300	DX5957	2300	N2568F	1601
DX3522AJ	0605	DX5738A	2300	DX5957	2300	N2568F	1601
DX3522AK	0605	DX5738A	2300	DX5957	2300	N2568F	1601
DX3522AL	0605	DX5738A	2300	DX5957	2300	N2568F	1601
DX3522AM	0605	DX5738A	2300	DX5957	2300	N2568F	1601
DX3522AN	0605	DX5738A	2300	DX5957	2300	N2568F	1601
DX3522AO	0605	DX5738A	2300	DX5957	2300	N2568F	1601
DX3522AP	0605	DX5738A	2300	DX5957	2300	N2568F	1601
DX3522AQ	0605	DX5738A	2300	DX5957	2300	N2568F	1601
DX3522AR	0605	DX5738A	2300	DX5957	2300	N2568F	1601
DX3522AS	0605	DX5738A	2300	DX5957	2300	N2568F	1601
DX3522AT	0605	DX5738A	2300	DX5957	2300	N2568F	1601
DX3522AU	0605	DX5738A	2300	DX5957	2300	N2568F	1601
DX3522AV	0605	DX5738A	2300	DX5957	2300	N2568F	1601
DX3522AW	0605	DX5738A	2300	DX5957	2300	N2568F	1601
DX3522AX	0605	DX5738A	2300	DX5957	2300	N2568F	1601
DX3522AY	0605	DX5738A	2300	DX5957	2300	N2568F	1601
DX3522AZ	0605	DX5738A	2300	DX5957	2300	N2568F	1601
DX3522BA	0605	DX5738A	2300	DX5957	2300	N2568F	1601
DX3522BB	0605	DX5738A	2300	DX5957	2300	N2568F	1601
DX3522BC	0605	DX5738A	2300	DX5957	2300	N2568F	1601
DX3522BD	0605	DX5738A	2300	DX5957	2300	N2568F	1601
DX3522BE	0605	DX5738A	2300	DX5957	2300	N2568F	1601
DX3522BF	0605	DX5738A	2300	DX5957	2300	N2568F	1601
DX3522BG	0605	DX5738A	2300	DX5957	2300	N2568F	1601
DX3522BH	0605	DX5738A	2300	DX5957	2300	N2568F	1601
DX3522BI	0605	DX5738A	2300	DX5957	2300	N2568F	1601
DX3522BJ	0605	DX5738A	2300	DX5957	2300	N2568F	1601
DX3522BK	0605	DX5738A	2300	DX5957	2300	N2568F	1601
DX3522BL	0605	DX5738A	2300	DX5957	2300	N2568F	1601
DX3522BM	0605	DX5738A	2300	DX5957	2300	N2568F	1601
DX3522BN	0605	DX5738A	2300	DX5957	2300	N2568F	1601
DX3522BO	0605	DX5738A	2300	DX5957	2300	N2568F	1601
DX3522BP	0605	DX5738A	2300	DX5957	2300	N2568F	1601
DX3522BQ	0605	DX5738A	2300	DX5957	2300	N2568F	1601
DX3522BR	0605	DX5738A	2300	DX5957	2300	N2568F	1601
DX3522BS	0605	DX5738A	2300	DX5957	2300	N2568F	1601
DX3522BT	0605	DX5738A	2300	DX5957	2300	N2568F	1601
DX3522BU	0605	DX5738A	2300	DX5957	2300	N2568F	1601
DX3522BV	0605	DX5738A	2300	DX5957	2300	N2568F	1601
DX3522BW	0605	DX5738A	2300	DX5957	2300	N2568F	1601
DX3522BX	0605	DX5738A	2300	DX5957	2300	N2568F	1601
DX3522BY	0605	DX5738A	2300	DX5957	2300	N2568F	1601
DX3522BZ	0605	DX5738A	2300	DX5957	2300	N2568F	1601
DX3522CA	0605	DX5738A	2300	DX5957	2300	N2568F	1601
DX3522CB	0605	DX5738A	2300	DX5957	2300	N2568F	1601
DX3522CC	0605	DX5738A	2300	DX5957	2300	N2568F	1601
DX3522CD	0605	DX5738A	2300	DX5957	2300	N2568F	1601
DX3522CE	0605	DX5738A	2300	DX5957	2300	N2568F	1601
DX3522CF	0605	DX5738A	2300	DX5957	2300	N2568F	1601
DX3522CG	0605	DX5738A	2300	DX5957	2300	N2568F	1601
DX3522CH	0605	DX5738A	2300	DX5957	2300	N2568F	1601
DX3522CI	0605	DX5738A	2300	DX5957	2300	N2568F	1601
DX3522CJ	0605	DX5738A	2300	DX5957	2300	N2568F	1601
DX3522CK	0605	DX5738A	2300	DX5957	2300	N2568F	1601
DX3522CL	0605	DX5738A	2300	DX5957	2300	N2568F	1601
DX3522CM	0605	DX5738A	2300	DX5957	2300	N2568F	1601
DX3522CN	0605	DX5738A	2300	DX5957	2300	N2568F	1601
DX3522CO	0605	DX5738A	2300	DX5957	2300	N2568F	1601
DX3							

