

G. V. G. 1. 41. 192 016

M5-08

This information is furnished with the understanding that it will not be released to another nation without specific approval of the United States of America, Department of the ~~Army~~ ^{Army}; that it will not be used for other than military purposes; that individual or corporation rights originating in the information whether patented or not will be respected; and that the information will be afforded substantially the same degree of security as afforded by the United States of America, Department of the ~~Nav~~ ^{Army}.

TM 11-2715

WAR DEPARTMENT TECHNICAL MANUAL (+ 2 wigs)

INSTALLATION OF RADIO EQUIPMENT IN TRUCK, 1/4-TON, 4x4

RESTRICTED. DISSEMINATION OF RESTRICTED MATTER.—The information contained in restricted documents and the essential characteristics of restricted material may be given to any person known to be in the service of the United States and to persons of undoubted loyalty and discretion who are cooperating in Government work, but will not be communicated to the public or to the press except by authorized military public relations agencies. (See also par. 23b, AR 380-5, 15 Mar 1944.)

INSTALLATION
OF RADIO EQUIPMENT
IN TRUCK, 1/4-TON, 4x4

WAR DEPARTMENT

• 30 SEPTEMBER 1944

RESTRICTED. DISSEMINATION OF RESTRICTED MATTER.—The information contained in restricted documents and the essential characteristics of restricted material may be given to any person known to be in the service of the United States and to persons of undoubted loyalty and discretion who are cooperating in Government work, but will not be communicated to the public or to the press except by authorized military public relations agencies. (See also par. 236, AR 380-5, 15 Mar 1944.)

WAR DEPARTMENT,

WASHINGTON 25, D. C., 30 September, 1944.

TM 11-2715, Installation of Radio Equipment in Truck, 1/4-ton, 4 x 4, is published for the information and guidance of all concerned.

[A. G. 300.7 (13 Jul 44).]

BY ORDER OF THE SECRETARY OF WAR:

G. C. MARSHALL,
Chief of Staff.

OFFICIAL:

J. A. ULIO,
Major General,
The Adjutant General.

DISTRIBUTION:

Armies (Sig) (5); Sv C (Sig) (5); Dept (Sig) (5); Def Comds (Sig) (2); D(2); IBn 1, 3, 5, 6, 9, 11, 17, 18 (3); IC 3, 5-9, 11, 17, 18, 19, 44 (5); OC Tech Svs (2); Arm & Sv Bd (2); Posts, Camps, and Stas (2); ROTC (5); Sp Sv Sch (10); T of Opn (5); Base Comd (5); Sig C Dep (2); Gen Overseas SOS Dep (Sig Sec) (2); Sig C Lab (2); Sig C Rep Sh (2); PE (Sig) (2).

IBn 1: T/O & E 1-977.

IBn 3: T/O & E 3-25.

IBn 5: T/O & 5-215.

IBn 6: T/O & E 6-165.

IBn 9: T/O & E 9-65.

IBn 11: T/O & E 11-15.

IBn 17: T/O & E 17-15, 17-25, 17-45S.

IBn 18: T/O & E 18-25.

IC 3: T/O & E 3-267.

IC 5: T/O & E 5-216, 5-217, 5-512S, 5-627.

IC 6: T/O & E 6-10-1, 6-12, 6-26, 6-27, 6-29, 6-36, 6-39, 6-56, 6-57, 6-59, 6-67, 6-76, 6-77, 6-78S, 6-97, 6-127, 6-129, 6-212S, 6-160-1, 6-166, 6-167, 6-169, 6-327, 6-329, 6-337, 6-339, 6-357, 6-367, 6-397, 6-216, 6-217, 6-226, 6-359.

IC 7: T/O & E 7-26, 7-27, 7-29.

IC 8: T/O & E 8-76, 8-77.

IC 9: T/O & E 9-66, 9-67.

IC 11: T/O & E 11-7, 11-18, 11-47, 11-57, 11-147S, 11-257, 11-557.

IC 17: T/O & 17-2, 17-16, 17-17, 17-19, 17-20-1, 17-22, 17-26, 17-29, 17-27, 17-46S, 17-47S, 17-49S, 17-56, 17-601, 17-98S, 17-116, 17-117.

IC 18: T/O & E 18-10-1, 18-26, 18-27, 18-28, 18-36, 18-37.

IC 19: T/O & E 19-57.

IC 44: T/O & E 44-76, 44-77.

For explanation of symbols, see FM 21-6.

CONTENTS

	<i>Paragraph</i>	<i>Page</i>
SECTION I. GUIDE TO USE OF THIS MANUAL.		
Purpose	1	1
Equipment	2	1
Holes and brackets.....	3	1
Preliminary check.....	4	1
Operating check.....	5	1
II. RADIO SET SCR-193-K OR SCR-193-KB.		
Required parts.....	6	3
Assembly and installation.....	7	8
III. RADIO SET SCR-193-KW (WATERPROOF).		
Required parts.....	8	11
Assembly and installation.....	9	13
IV. RADIO SET SCR-284-().		
Required parts.....	10	17
Assembly and installation.....	11	17
V. RADIO SET SCR-506-().		
Required parts.....	12	26
Assembly and installation.....	13	26
VI. RADIO SET SCR-508-(), SCR-528-(), SCR-608-(), SCR-628-(), SCR-808-(), OR SCR-828-().		
Required parts.....	14	32
Assembly and installation.....	15	33
VII. RADIO SET SCR-510-() OR SCR-610-().		
Required parts.....	16	44
Assembly and installation.....	17	44
VIII. RADIO SET AN/VRC-1-().		
Required parts.....	18	55
Assembly and installation.....	19	69
APPENDIX IGNITION NOISE SUPPRESSION IN TRUCK ¼-TON, 4x4.		
General	1	75
Procedure	2	75

DESTRUCTION NOTICE

WHY—To prevent the enemy from using or salvaging this equipment for his benefit.

WHEN—When ordered by your commander.

- HOW**—
1. Smash—Use sledges, axes, handaxes, pickaxes, hammers, crow-bars, heavy tools.
 2. Cut—Use axes, handaxes, machetes.
 3. Burn—Use gasoline, kerosene, oil, flame throwers, incendiary grenades.
 4. Explosives—Use firearms, grenades, TNT.
 5. Disposal—Bury in slit trenches, fox holes, other holes. Throw in streams. Scatter.

USE ANYTHING IMMEDIATELY AVAILABLE FOR DESTRUCTION OF THIS EQUIPMENT

- WHAT**—
1. Smash—Meters, controls, panels.
 2. Cut—Cables and all wiring.
 3. Burn—Resistors, capacitors, all technical manuals, instruction books, tube charts.
 4. Bury or scatter—Any or all of the above pieces after destroying their usefulness.

DESTROY EVERYTHING

SAFETY NOTICE

This equipment uses high voltages which are dangerous to life. Observe all safety precautions.

1. Make no adjustments inside the equipment with the power on.
2. Do not operate the equipment with the shields removed.
3. Do not connect power to any unit of the radio set until operating instructions have been read completely.

RESTRICTED

SECTION I

GUIDE TO USE OF THIS MANUAL

1. Purpose

This manual provides methods and procedures, based upon actual field experience, for installation of radio equipment in Truck, 1/4-ton, 4 x 4. Items required to make a complete operating installation are listed for each radio set. Official nomenclature followed by (), such as Headset HS-30-(), is used to indicate any model of equipment regardless of its procurement.

2. Equipment

Installations covered include the following radio sets:

SCR-193-K	SCR-608-()
SCR-193-KB	SCR-628-()
SCR-193-KW	SCR-808-()
SCR-284-()	SCR-828-()
SCR-506-()	SCR-510-()
SCR-508-()	SCR-610-()
SCR-528-()	AN/VRC-1-()

3. Holes and Brackets

Holes and brackets required for installation of the radio equipment are normally lo-

cated prior to delivery of Truck, 1/4-ton, 4 x 4. Drilling instructions are given in this manual for any other necessary holes and brackets. Do not relocate any holes or brackets unless absolutely necessary.

4. Preliminary Check

Study the illustrations, the installation methods outlined, and any subsequent changes to this manual.

Caution: Truck, 1/4-ton, 4 x 4, ordinarily has a 6-volt electrical system. Some of the radio sets covered in this manual require 12 volts for operation. Be sure that the correct 12-volt conversion kit has been installed in the vehicle before installing any of the 12-volt radio equipment. Otherwise damage to the equipment may result.

5. Operating Check

Carefully study the Technical Manual covering the radio set before trying to operate. Then make a thorough operating check to determine whether the equipment has been properly installed and is in working order.

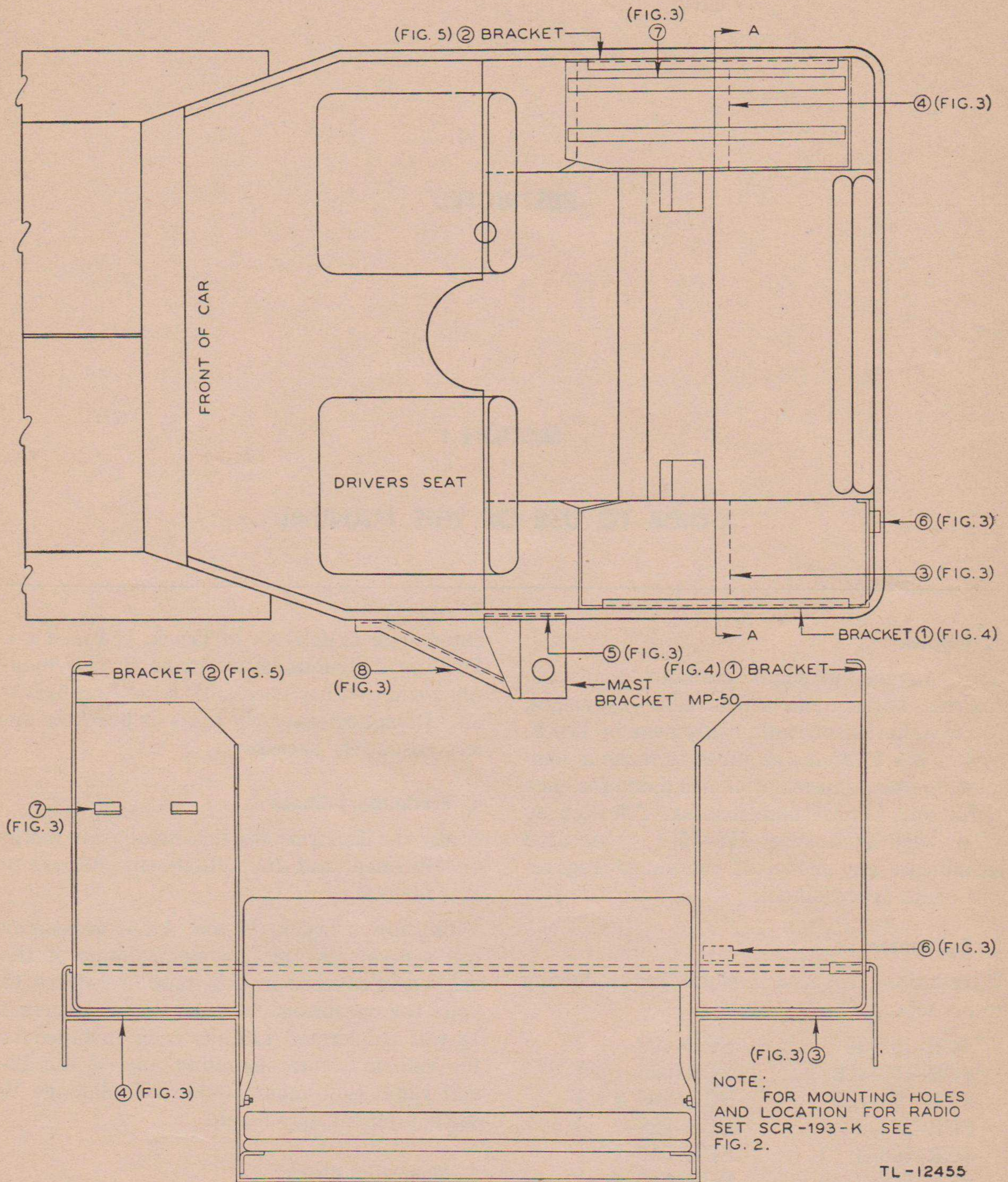


Figure 1. Installation of brackets for Radio Set SCR-193-K in Truck, 1/4-ton, 4x4.

SECTION II

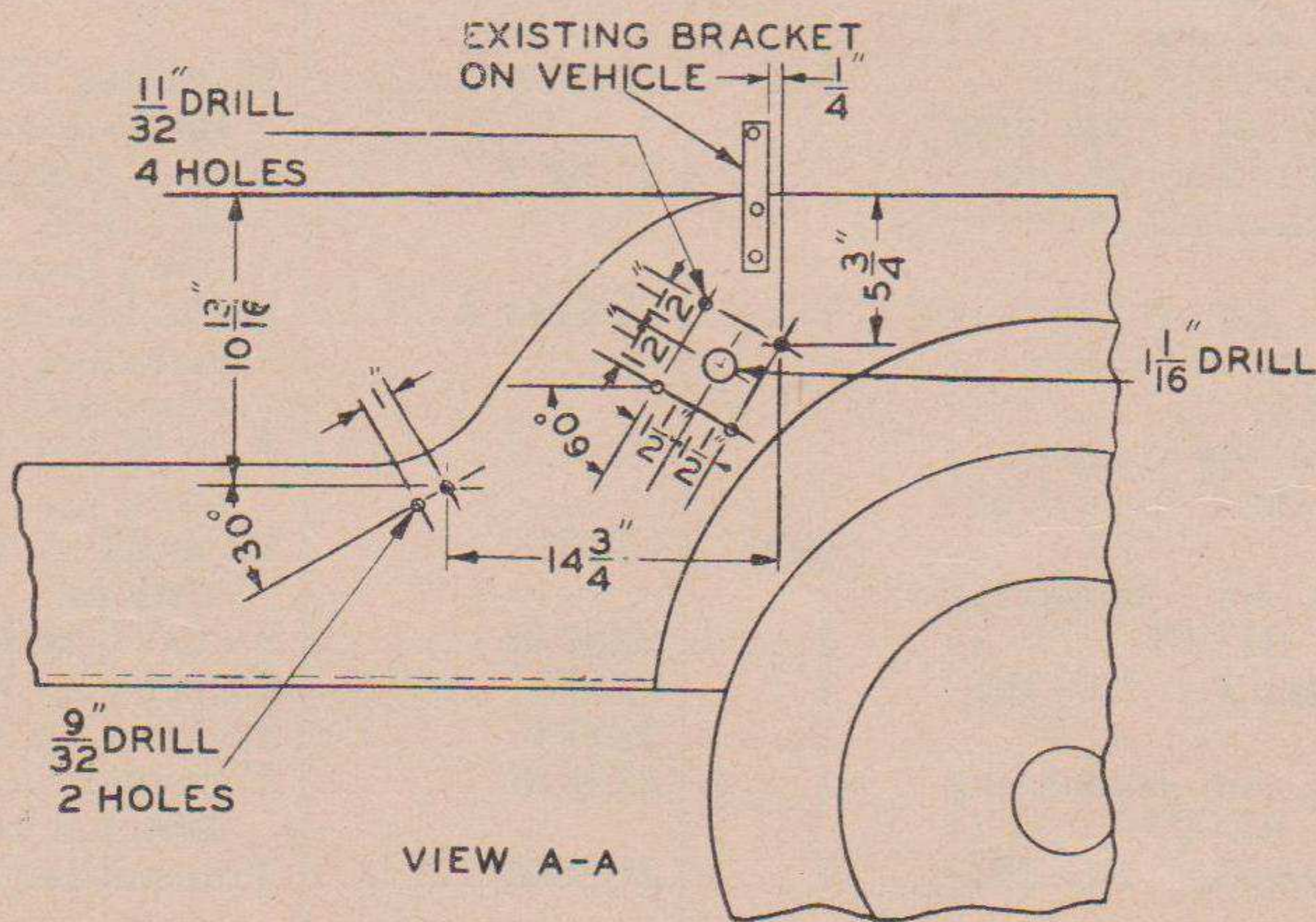
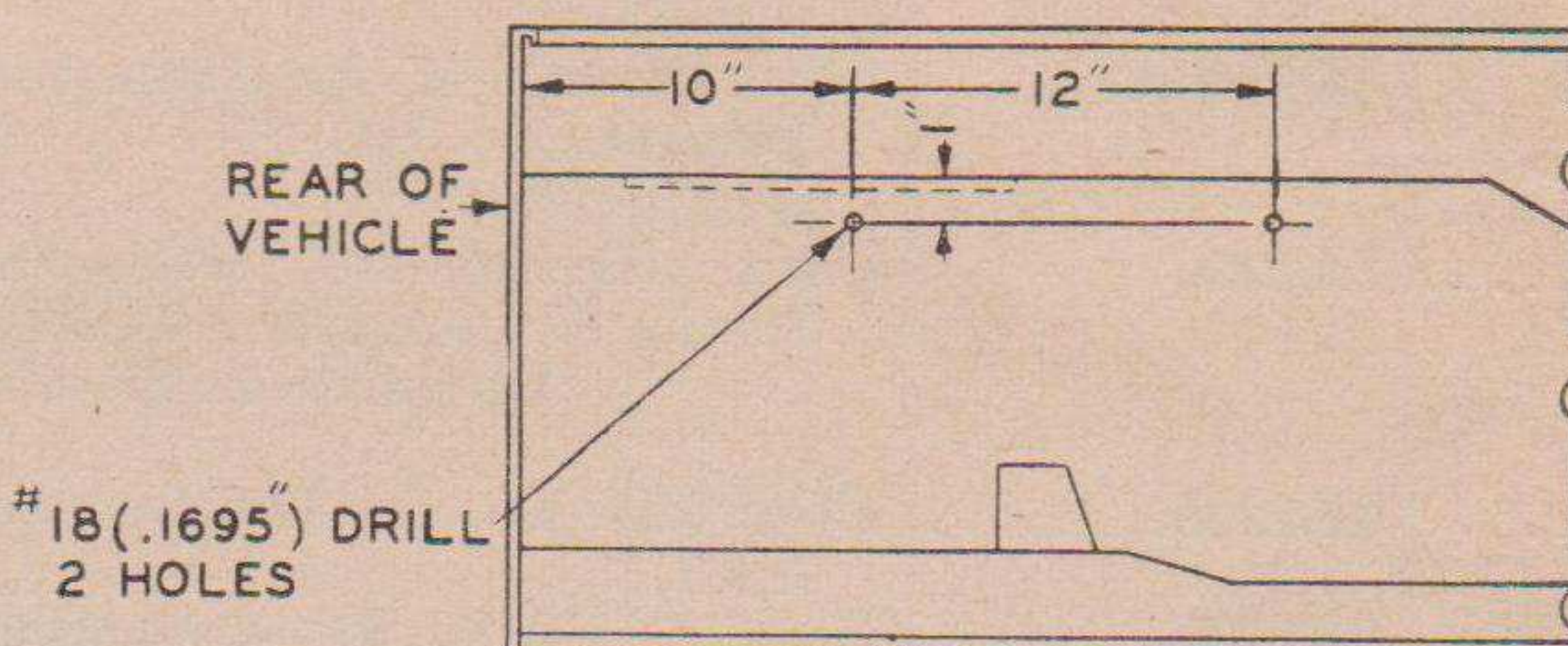
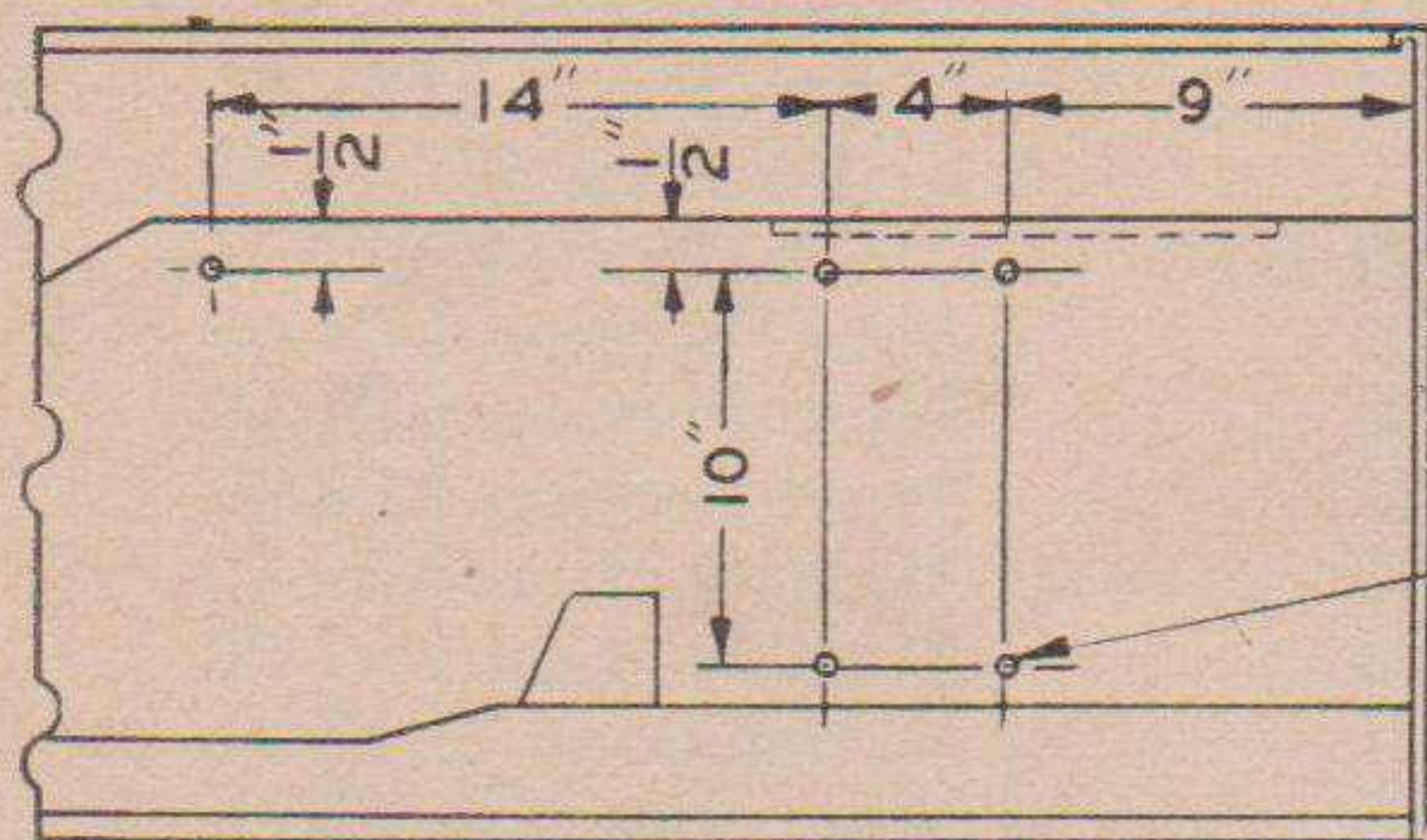
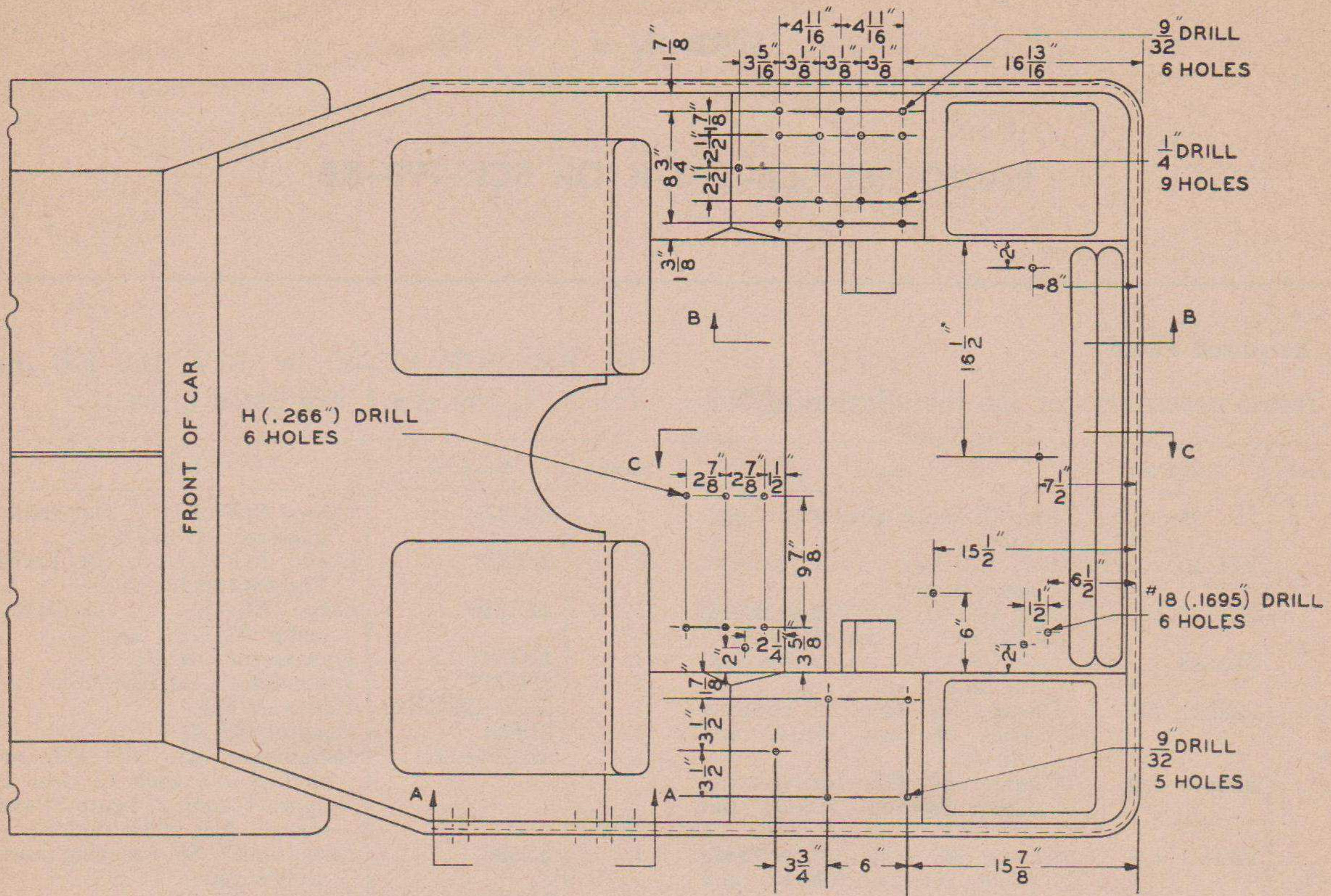
RADIO SET SCR-193-K OR SCR-193-KB

6. Required Parts

Items necessary for the installation of Ra-

dio Set SCR-193-K or SCR-193-KB in Truck, 1/4-ton, 4 x 4, are listed below:

Quan'ty	Stock No.	Item	Quan'ty	Stock No.	Item
1	2Z1108	Box BX-8, for transmitter spare tubes.	1	2Z3375	Cover BG-75-(), for Radio Receiver BC-312-().
1	2Z1119	Box BX-19-(), for receiver spare tubes.	1	2Z3378	Cover BG-78-(), for Radio Transmitter BC-191-().
1	2Z1121	Box BX-21, for Boxes BX-8, BX-19-(), headsets, etc.	1	3H1359	Cover BG-79-(), for Dynamotor BC-77-().
1	2Z1848	Case CS-48, for transmitter tuning unit.	1	3H1621	Dynamotor DM-21-().
1	2Z2651-421	Clamp MC-421, for securing Mast Sections MS-49 and MS-50.	1	3H1777	Dynamotor Unit BD-77-().
1	2Z2651-422	Clamp MC-422, for securing Mast Sections MS-50 and MS-51.	1	6L50-193KV26	Hardware bag.
1	2Z2651-423	Clamp MC-423, for securing Mast Sections MS-51, and MS-52.	1	2B830	Headset HS-30-().
1	2Z2651-424	Clamp MC-424, for securing Mast Sections MS-52 and MS-53.	1	2Z5725-449	Installation Kit MC-449, including one each of item 1, figure 4; item 2, figure 5; and items 3, 4, 5, and 8, figure 3.
1	3E2166A	Cord CO-166-A, for connecting Dynamotor BD-77-() to terminal box.	1	3G586	Insulator IN-86, for tying down mast sections.
1	3E1226	Cord CD-226, for connecting Radio Transmitter BC-191-() to Dynamotor BD-77-().	1	3G598	Insulator IN-98.
1	3E1265	Cord CD-265, for Loudspeaker LS-3.	2	3G621	Insulator IN-121.
1	3E1273	Cord CD-273, for connecting Dynamotor BD-77-() to terminal box.	1	3Z3445	Key J-45.
1	3E1307A-5.5	Cord CD-307-A, 65," for Headset HS-30-().	1	2Z6303.1	Loudspeaker LS-3.
1	3E1410	Cord CD-410, connects Radio Transmitter BC-191-() to terminal box.	1	2A2087	Mast Base MP-37 or MP-57 (2A2088-57).
1	3E1440	Cord CD-440, for connecting Radio Transmitter BC-191-() to Dynamotor BD-77-().	1	2A2090-50	Mast Bracket MP-50.
1	3E1474	Cord CD-474, for connecting Radio Receiver BC-312-() to terminal box.	1	2A2349	Mast Section MS-49.
1	3E1604	Cord CD-604, 6" for connecting Headset HS-30-() to Cord CD-307-A.	1	2A2350	Mast Section MS-50.
1	3E1670	Cord CD-670, for connecting Dynamotor BD-77-() to Radio Transmitter BC-191-().	1	2A2351	Mast Section MS-51.
1	3E1676	Cord CD-676, for connecting Dynamotor BD-77-() to Radio Transmitter BC-191-().	1	2A2352	Mast Section MS-52.
1	2Z3367	Cover BG-67-(), for Mast Base.	1	2A2353	Mast Section MS-53.
			1	2B1617	Microphone T-17-().
			1	3H3907	Mounting FT-107-().
			1	2Z6691	Mounting FT-151-(), for Radio Transmitter BC-191-().
			1	2Z6702	Mounting FT-162.
			1	2Z6712	Mounting FT-172, snubber for Radio Transmitter BC-191-().
			1	2Z6718	Mounting FT-178, snubber for Radio Receiver BC-312-().
			1	2C4312 () .4	Radio Receiver BC-312-(), including fuses, lamps, and tubes installed.
			1	2C6191(&)	Radio Transmitter BC-191-(), including fuses, lamps and tubes installed.
			1	2Z8056	Roll BG-56-(), for mast sections.
			50 ft.	6Z7926	Rope RP-5, for tying down mast sections.
			2	2Z8793	Socket Cap M-163-().
			1	2Z8794	Socket Cap M-164-().
			2	2Z8795	Socket Cap M-165-().
			1	2Z9313	Terminal Block TM-183, for car terminal box.
			1	2C8005	Transmitter Tuning Unit TU-5-().
			1	2C8006	Transmitter Tuning Unit TU-6-().
			25 ft.	1B128	Wire W-128.



NOTE:
FOR INSTALLATION OF
BRACKETS FOR RADIO SET
SCR-193-K SEE FIG. 1.

TL-12456

Figure 2. Mounting holes and location for Radio Set SCR-193-K in Truck, 1/4-ton, 4x4.

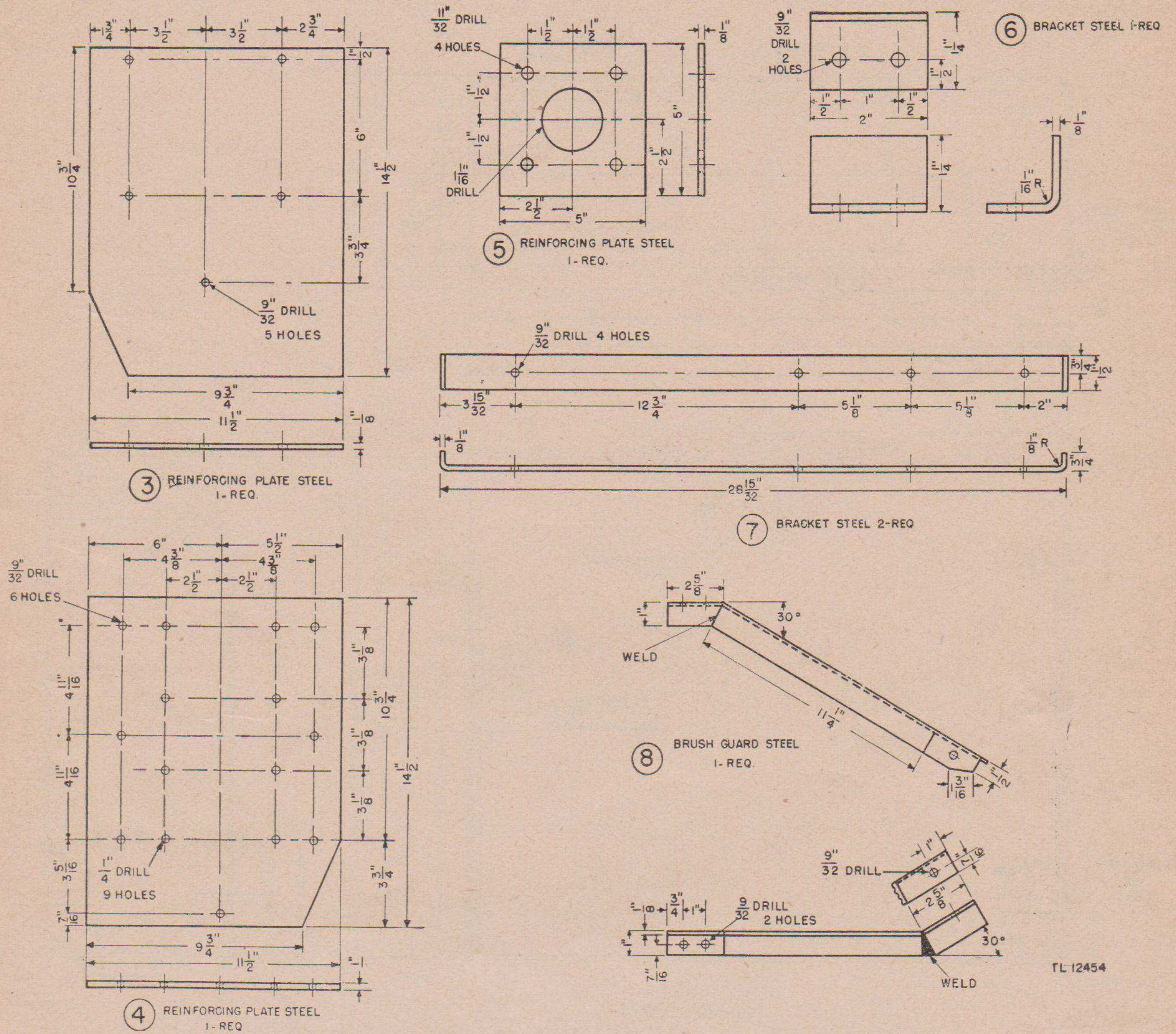


Figure 3. Bracket details for mounting Radio Set SCR-193-K in Truck, 1/4-ton, 4x4.

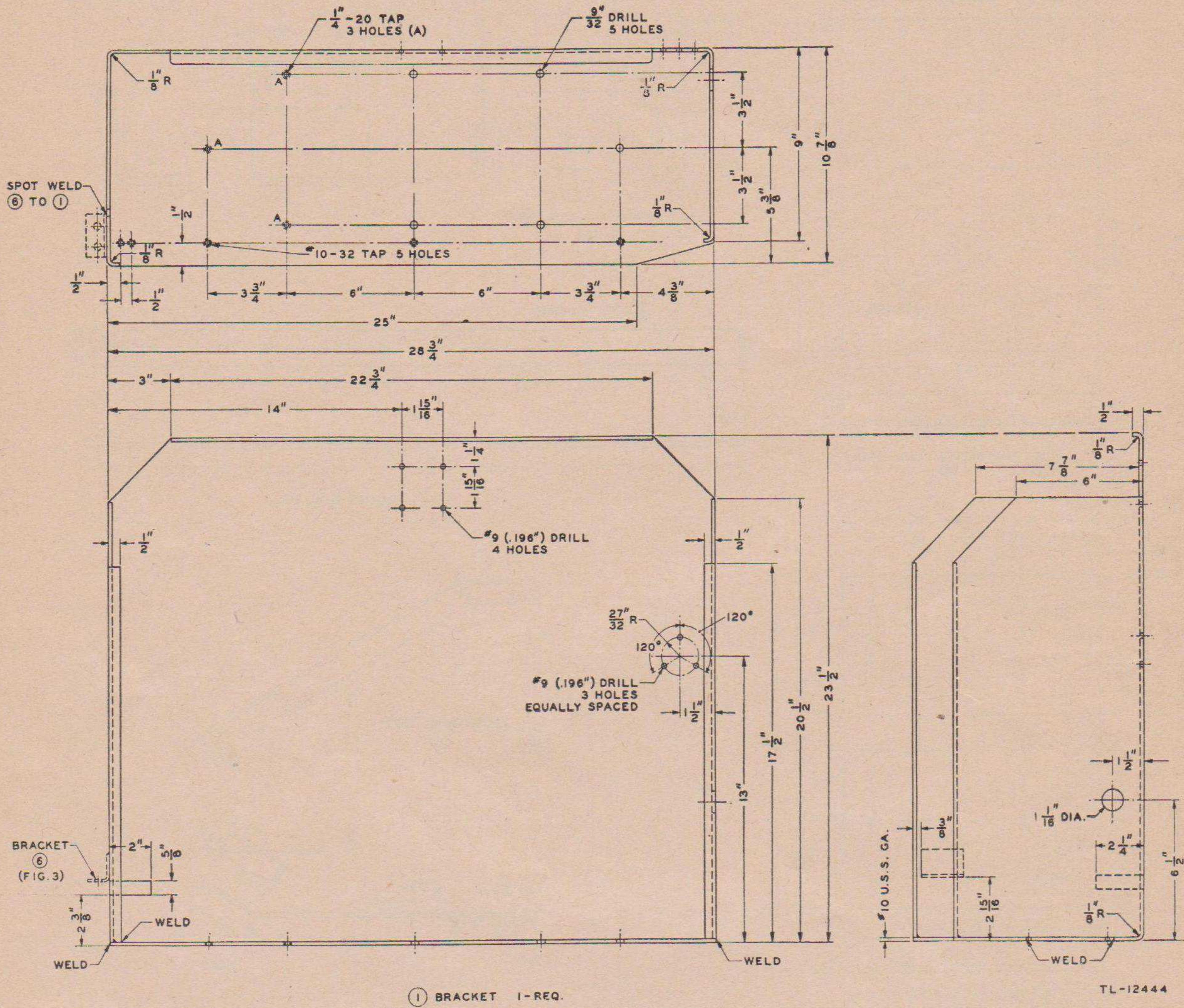


Figure 4. Bracket detail for mounting Radio Set SCR-193-K in Truck, $\frac{1}{4}$ -ton, 4x4.

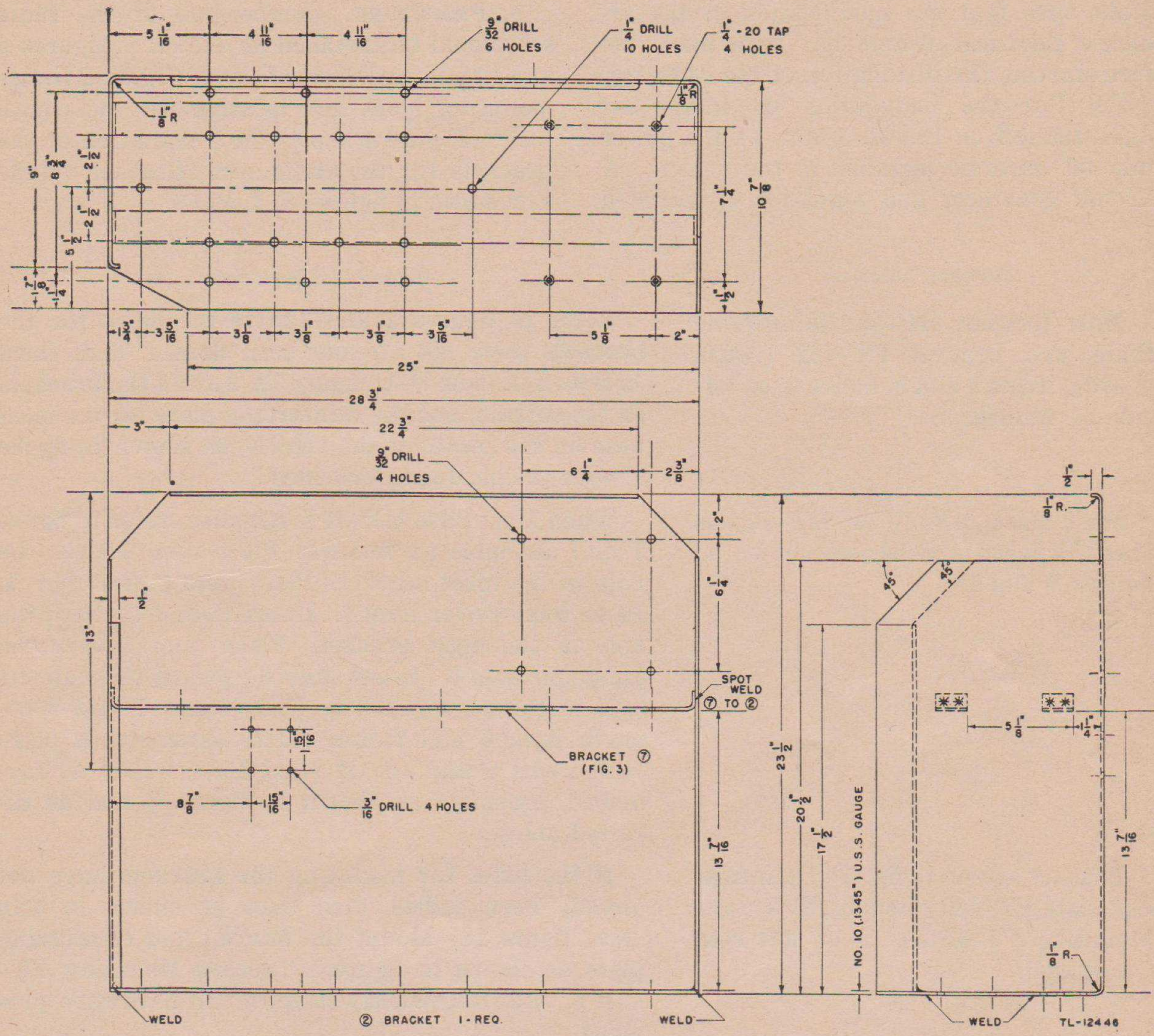


Figure 5. Bracket detail for mounting Radio Set SCR-193-K in Truck, 1/4-ton, 4x4.

7. Assembly and Installation

a. PRELIMINARY CHECK. (1) For the installation of Radio Set SCR-193-K, it is necessary that Truck, 1/4-ton, 4 x 4, be modified to have a 12-volt electrical system with two 6-volt batteries connected in series and installed between the front seats of the vehicle. These two batteries furnish power for the vehicular electrical system and the radio set. Make sure that the modification of the vehicle's electrical system has been made before starting the installation of the radio set.

(2) For the installation of Radio Set SCR-193-KB in Truck, 1/4-ton, 4 x 4, a power take-off must be installed in the vehicle. A 12-volt generator and regulator is mounted

between the front seats of the vehicle and driven by a belt and pulley from the transmission shaft. Two 6-volt batteries are installed, one behind each front seat. The power supplied to the radio set is independent of the vehicular electrical system. Before proceeding with the installation of the radio set, make sure that the power take-off has been installed in the vehicle.

b. PROCEDURE. Components of the radio set should be installed as shown in figures 6 and 12 and as directed below. Figure 2 shows mounting holes and location for the equipment. Figure 1 shows the installation of the brackets for the radio sets. Bracket details are shown in figures 3, 4, and 5.

Part and Location

Mast Bracket MP-50, Reinforcing Plate, and Bracket FT-422 (brush guard), items 5 and 8, figure 3, on left side of vehicle.

Mast Base MP-37 or MP-57, on Mast Bracket MP-50, as shown in figures 6 and 12.

Bracket (item 1, fig. 4), Reinforcing Plate FT-429 (item 3, fig. 3), and Mounting FT-151-() on left rear wheel well.

Radio Transmitter BC-191-(), on Mounting FT-151-(), as shown in figures 6 and 12. Socket Cap M-163-().

Mounting FT-172, on Radio Transmitter BC-191-().

Cover BG-78-(), on Radio Transmitter BC-191-().

Method and Materials

Refer to figures 2 and 12. If the holes for the brackets have not already been drilled, drill them as shown in view D-D, figure 12. Fasten the brackets on the outside, and the reinforcing plate for the mast base on the inside of the vehicle, as shown in figure 1, with the hardware provided.

When Mast Base MP-37 is supplied, refer to figure 7 and assemble as follows: Place item 1 over the hole in the mast bracket. Place item 2 over item 1. Place item 3 over item 2. Insert item 4 through the hole in the mast bracket. Place item 5 over the flange on item 6. Insert item 6 upward through the hole in the mast bracket. Place items 7 and 8 beneath item 6 and fasten entire assembly in place with items 9 and 10. If Mast Base MP-57 is furnished, assemble as shown in figure 8 and as directed above.

If the holes for mounting the brackets have not already been drilled, drill them as shown in plan view, figure 12. Mount the bracket and reinforcing plate as shown in figure 1. Secure Mounting FT-151-() to the wheelwell with the hardware provided.

Place the transmitter on the mounting and secure in place with the snapslide fasteners provided.

Place over the unused socket in Radio Transmitter BC-191-().

Drill the cabinet of the transmitter as shown in figure 11. Assemble the mounting as shown in figures 6, 10 and 12.

Cut a slot in the top of the cover to admit item 1, figure 10. Place the cover on the transmitter before completing installation of Mounting FT-172.

Bracket (fig. 5), Reinforcing Plate FT-429 (item 4, fig. 3) and Mounting FT-162, on right rear wheelwell, as shown in figures 6 and 12.

Radio Receiver BC-312-(), on Mounting FT-162, as shown in figures 6 and 12.

Mounting FT-178, on Radio Receiver BC-312-().

Cover BG-75-() on Radio Receiver BC-312-().

Mounting FT-107-(), on bracket (fig. 5), as shown in figures 6 and 12.

Dynamotor Unit BD-77-(), on Mounting FT-107-(), as shown in figures 6 and 12.

Cover BG-79-(), on Dynamotor Union BD-77-().

Case CS-48, on bracket (fig. 5), as shown in figures 6 and 12.

Loudspeaker LS-3, on bracket (fig. 5), as shown in figures 6 and 12.

Headset HS-30-(), Cord CD-307-A, and Cord CD-604.

Microphone T-17-() and Key J-45.

Insulator IN-98, on bracket (fig. 4).

Insulators IN-121, on Mast Bracket MP-50 and on bracket (fig. 5).

Mast Sections MS-49 to MS-53 and Clamps MC-421 to MC-424 on Mast Base MP-37 or MP-57.

Roll BG-56-().

Cover BG-67-().

Boxes BX-8, BX-19-(), and BX-21.

c. CORDING AND WIRING. (1) Cord and wire the radio set as shown in figures 6 and 12. Connect and secure so as not to interfere

If the mounting holes have not already been drilled, drill them as shown in plan view, figure 12. Install the brackets and reinforcing plate as shown in figure 1. Fasten Mounting FT-162 to the wheelwell with the provided hardware.

Place the receiver on the mounting and secure with the snap-slide fasteners provided.

Remove the receiver from its cabinet and drill the cabinet as shown in figure 9. Assemble the mounting as shown in figures 6, 10 and 12.

Cut a slot in the top of the cover to admit item 1, figure 10. Place the cover on the receiver before completing the installation of Mounting FT-178.

Drill Mounting FT-107-() as shown in figure 12. Install the mounting as shown in figures 6 and 12.

Place the dynamotor on the mounting and secure with the snap-slide fasteners.

Place the cover over the dynamotor.

Fasten the case to the bracket with the hardware provided.

Fasten the loudspeaker to the bracket with the hardware provided.

Connect Headset HS-30-() to Cord CD-604; connect Cords CD-604 and CD-307-A, and plug Cord CD-307-A into the phone jack on Radio Receiver BC-312-().

Plug into appropriate jacks on Radio Receiver BC-312-().

Fasten to bracket as shown in figures 6 and 12.

Install through the holes provided as shown in figures 6 and 12.

Screw the mast sections together and secure with the clamps. Fasten the clamps to the male end of the mast sections. Then screw the mast antenna into the mast base. When not in use, carry the mast sections and the clamps in Roll BG-56-().

Disposition left to the discretion of the using arms.

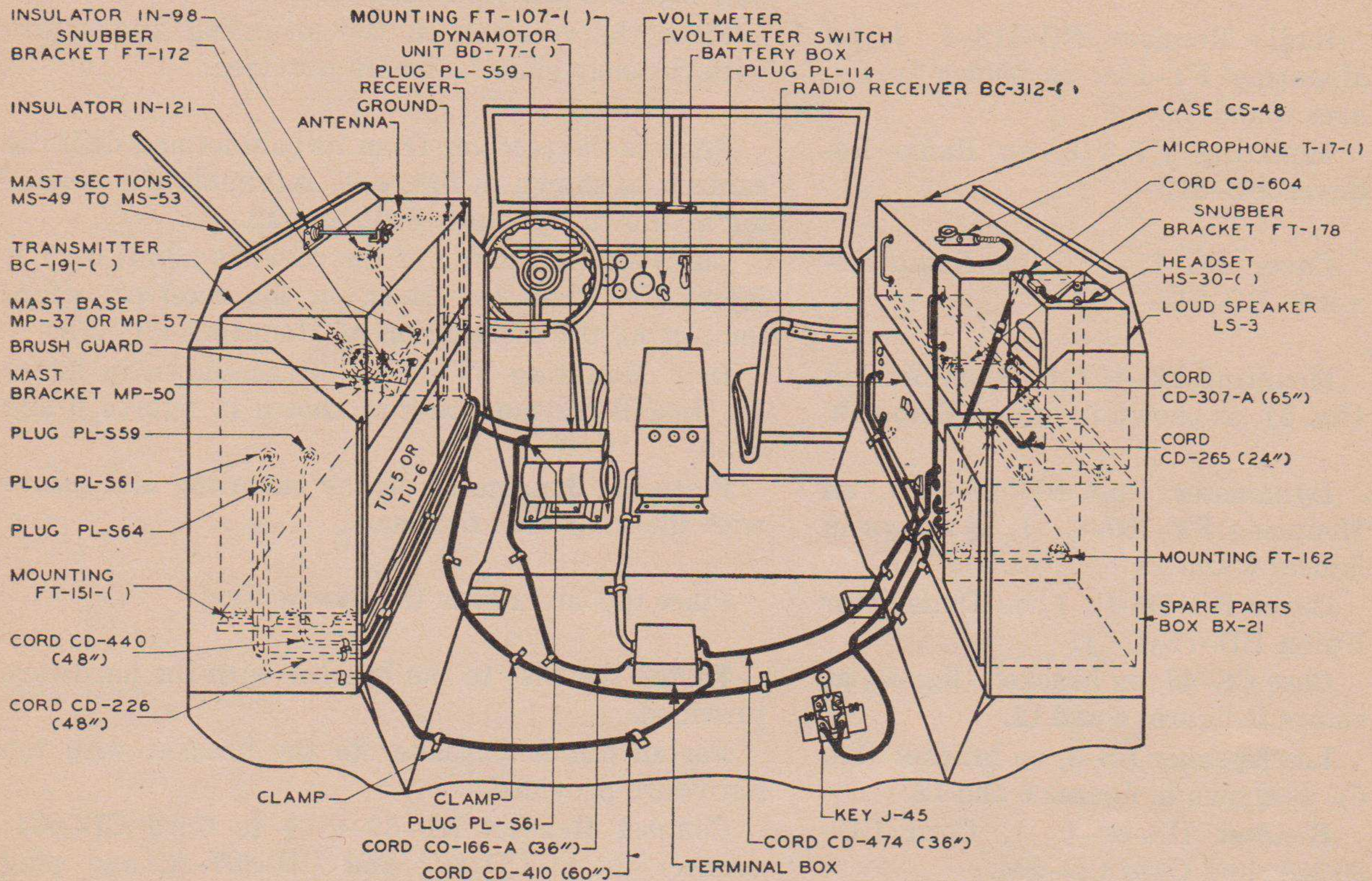
Place over the mast base when the mast sections are not in use.

Disposition left to the discretion of the using arms.

with the accessibility and operation of the equipment. Enough slack must be left to permit free movement of all units having shock

mounting. Cording or cable likely to rub against sharp edges should be taped with at least two layers to prevent damage. Solder-tin all wire ends.

(2) To prevent accidental shorts of the battery, do not connect the positive 12-volt and negative 12-volt lead (in the terminal box) until all other connections have been completed.



- RADIO RECEIVER BC-312-(), AND MTG. FT-162
 9-#10-32X1" LG. RD. HD. MACH. SCREWS
 9-#10-32 HEX NUTS
 9-#10 LOCK WASHERS
 MOUNTING FT-178
 4-#10-32X1/2" LG. RD. HD. MACH. SCREWS
 4-#10-32 ELASTIC STOP NUTS
 BOX BX-21
 4-1/4"-20X1/4" LG. HEX HD. MACH. SCREWS
 4-1/4"-20X1/2" LG. HEX HD. MACH. SCREWS
 8-1/4"-20 HEX NUTS
 8-1/4" LOCK WASHERS
 CASE CS-48
 4-1/4"-20X1/2" LG. HEX HD. MACH. SCREWS
 4-1/4"-20 HEX NUTS
 4-1/4" LOCK WASHERS
 LOUD SPEAKER LS-3
 4-1/4"-20X1/2" LG. HEX HD. MACH. SCREWS
 4-1/4"-20 HEX NUTS
 4-1/4" LOCK WASHERS
 MAST BRACKET MP-50
 4-5/16"-24X3/4" LG. HEX HD. MACH. SCREWS
 4-5/16"-24 HEX NUTS
 4-5/16" LOCK WASHERS
 BRUSH GUARD
 3-1/4"-20X3/4" LG. HEX HD. MACH. SCREWS
 3-1/4"-20 HEX NUTS
 3-1/4" LOCK WASHERS

NOTE:-

ANTENNA AND GROUND CONNECTIONS SHALL BE MADE WITH WIRE W-128. ENDS OF WIRE W-128, AFTER BEING CUT TO PROPER LENGTH SHALL BE TINNED.

HARDWARE REQUIRED:

- DYNAMOTOR BD-77-() AND MTG. FT-107-()
 6-1/4"-20X3/4" LG. HEX HD. MACH. SCREWS
 6-1/4"-20 HEX NUTS
 6-1/4" LOCK WASHERS
 REINFORCING PLATE (② FIG. 3)
 6-1/4"-20X1" LG. HEX HD. MACH. SCREWS
 6-1/4"-20 HEX NUTS
 6-1/4" LOCK WASHERS
 RADIO TRANSMITTER BC-191-(), MTG. FT-151-() AND REINFORCING PLATE (① FIG. 3)
 3-1/4"-20X1/4" LG. HEX HD. MACH. SCREWS
 5-1/4"-20X1" LG. HEX HD. MACH. SCREWS
 5-1/4"-20 HEX NUTS
 8-1/4" LOCK WASHERS
 MOUNTING FT-172
 4-#10-32X1/2" LG. RD. HD. MACH. SCREWS
 4-#10-32 ELASTIC STOP NUTS
 INSULATOR IN-98
 3-#8-32X1/2" LG. RD. HD. MACH. SCREWS
 3-#8-32 ELASTIC STOP NUTS
 CABLE CLAMPS
 24-#8-32X3/8" LG. RD. HD. MACH. SCREWS
 24-#8-32 HEX NUTS
 24-#8 LOCK WASHERS

ALL SCREWS, NUTS AND LOCK WASHERS SHALL BE STEEL, GALVANIZED.

NOTE:

FOR MOUNTING HOLES AND LOCATION SEE FIG. 2. FOR INSTALLATION OF BRACKETS SEE FIG. 1. FOR ASSEMBLY OF MOUNTINGS FT-172 AND FT-178 SEE FIG. 10.

TL-12458

Figure 6. Cording diagram for Radio Set SCR-193-K in Truck, 1/4-ton, 4x4.

SECTION III

RADIO SET SCR-193-KW (WATERPROOF)

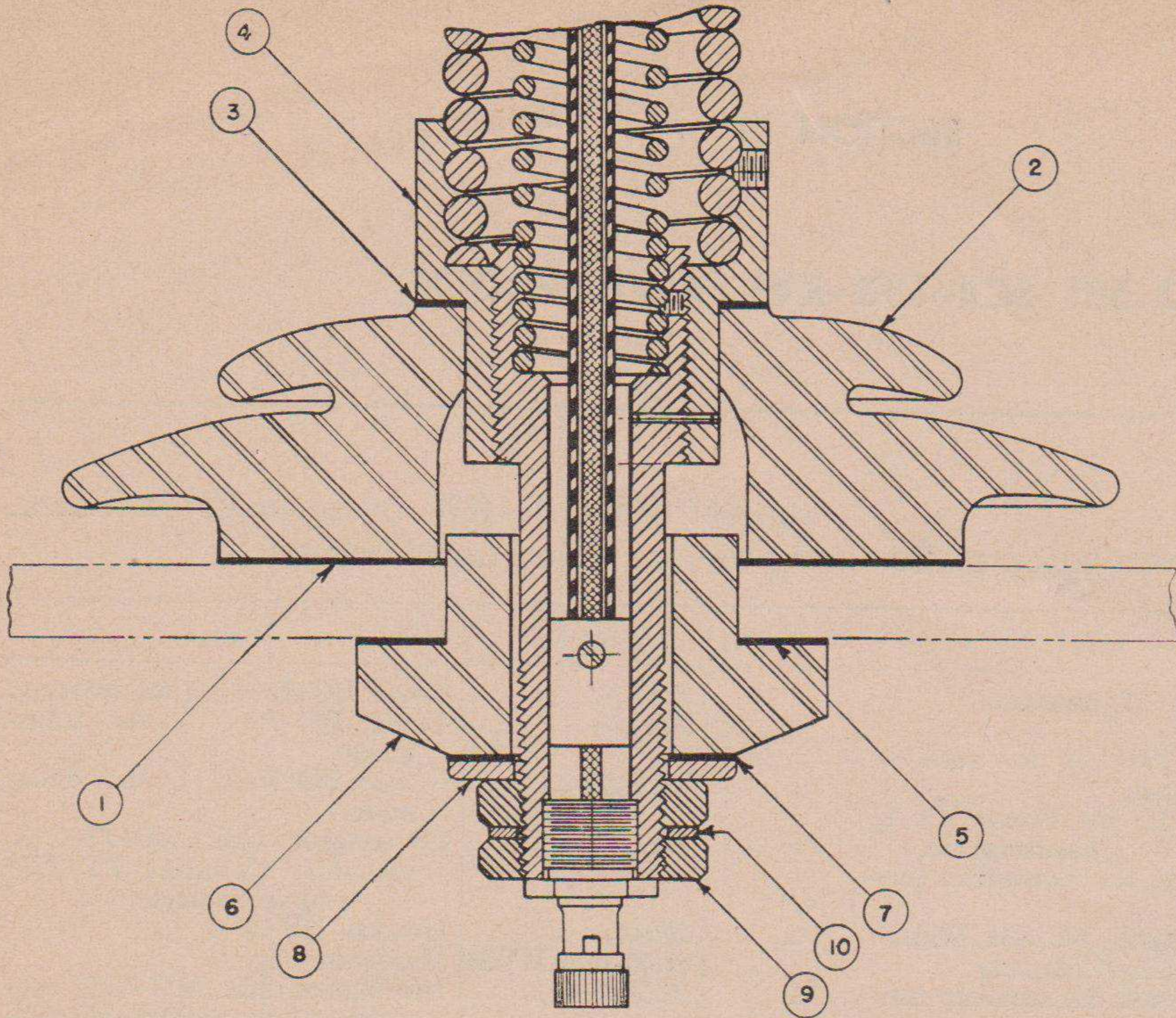
8. Required Parts

Items necessary for the installation of Ra-

dio Set SCR-193-KW (waterproof) in Truck, 1/4-ton, 4 x 4, are listed below:

Quan'ty	Stock No.	Item	Quan'ty	Stock No.	Item
1	2A275-27	Antenna A-27, phantom.	1	2Z3375	Cover BG-75-(), for receiver.
1	2Z1108	Box BX-8.	1	2Z3378	Cover BG-78-(), for transmitter.
1	2Z1119	Box BX-19-(), for receiver spare tubes.	1	3H1359	Cover BG-79-(), for dynamotor.
1	2Z1121	Box BX-21, for Boxes BX-8, BX-19-(), headsets, etc.	1	3H1777	Dynamotor Unit BD-77-(), including Mounting FT-107-() and spare parts.
1	2Z1848	Case CS-48, for transmitter tuning unit.	2	2B830	Headset HS-30-().
1 pt.		Cement, elastic, No. 3M, Minnesota Mining Company.	1	6L50-193KWV26	Hardware bag.
1	2Z2599-239	Chest CH-239, for auxiliary tuning unit.	1	2Z5725-515	Installation Kit MC-515, consisting of one right-hand cabinet (fig. 15), one left-hand cabinet (fig. 16), two covers (fig. 19), one cover for Terminal Block TM-183, two brackets (fig. 14), two reinforcing plates (fig. 14), one shelf (fig. 14), and mounting hardware.
1	2Z2651-421	Clamp MC-421, for securing Mast Sections MS-49 and MS-50.	3	3G586	Insulator IN-86, for tying down mast sections.
1	2Z2651-422	Clamp MC-422, for securing Mast Sections MS-50 and MS-51.	2	3G621	Insulator IN-121.
1	2Z2651-423	Clamp MC-423, for securing Mast Sections MS-51 and MS-52.	1	3G598	Insulator IN-98.
1	2Z2651-424	Clamp MC-424, for securing Mast Sections MS-52 and MS-53.	1	3Z3445	Key J-45.
2	6Z3147-1	Connector No. 61004 and Bondnut BL-50 (Appleton).	1	2Z6303.1	Loudspeaker LS-3.
8	6Z3147	Connector No. 61007 and Bondnut BL-50 (Appleton).	1	2A2088-57	Mast Base MP-57.
1	3E1270	Cord CD-270, connects Radio Receiver BC-312-() to Terminal Block TM-183.	1	2A2090-63	Mast Bracket MP-63.
1	3E1175	Cord CD-175, connects Radio Transmitter BC-191-() to Dynamotor Unit BD-77-().	1	2A2349	Mast Section MS-49.
1	3E1265	Cord CD-265, for Loudspeaker LS-3.	1	2A2350	Mast Section MS-50.
1	3E1999-171	Cord CD-1171, connects Radio Transmitter BC-191-() to Terminal Block TM-183.	1	2A2351	Mast Section MS-51.
1	3E1999-172	Cord CD-1172, connects Radio Transmitter BC-191-() to Dynamotor Unit BD-77-().	1	2A2352	Mast Section MS-52.
1	3E1999-173	Cord CD-1173, connects Dynamotor Unit BD-77-() to terminal box or power take-off terminal.	1	2A2353	Mast Section MS-53.
2	3E1307A-5.5	Cord CD-307-A, 65" for Headset HS-30-().	2	2B1567	Microphone Cover M-367.
1	3E1318	Cord CD-318-(), for microphone.	1	2B1617	Microphone T-17-().
2	3E1604	Cord CD-604, for connecting Headset HS-30-() to Cord CD-307-A.	1	2B1645	Microphone T-45.
3 ft.	3E2131	Cordage CO-131.	1	2Z6712	Mounting FT-172.
1	2Z3367	Cover BG-67-(), for mast base.	1	2Z6718	Mounting FT-178.
			1	2C4312	Radio Receiver BC-312-(), including Mounting FT-162, Dynamotor DM-21, and one set of tubes installed.
			1	2C6191	Radio Transmitter BC-191-(), including Mounting FT-151-(), and one each Socket Caps M-163-(), M-164-(), and M-165-().
			1	2Z8056	Roll BG-56-(), for Mast Sections.
			50 ft.	6Z7926	Rope RP-5.
			1	2Z8793	Socket Cap M-163-().
			1	2Z9313	Terminal Block TM-183.
			1	2C8005	Transmitter Tuning Unit TU-5.
			^a 1	2C8006	Transmitter Tuning Unit TU-6.
			12 ft.	1B128	Wire W-128.

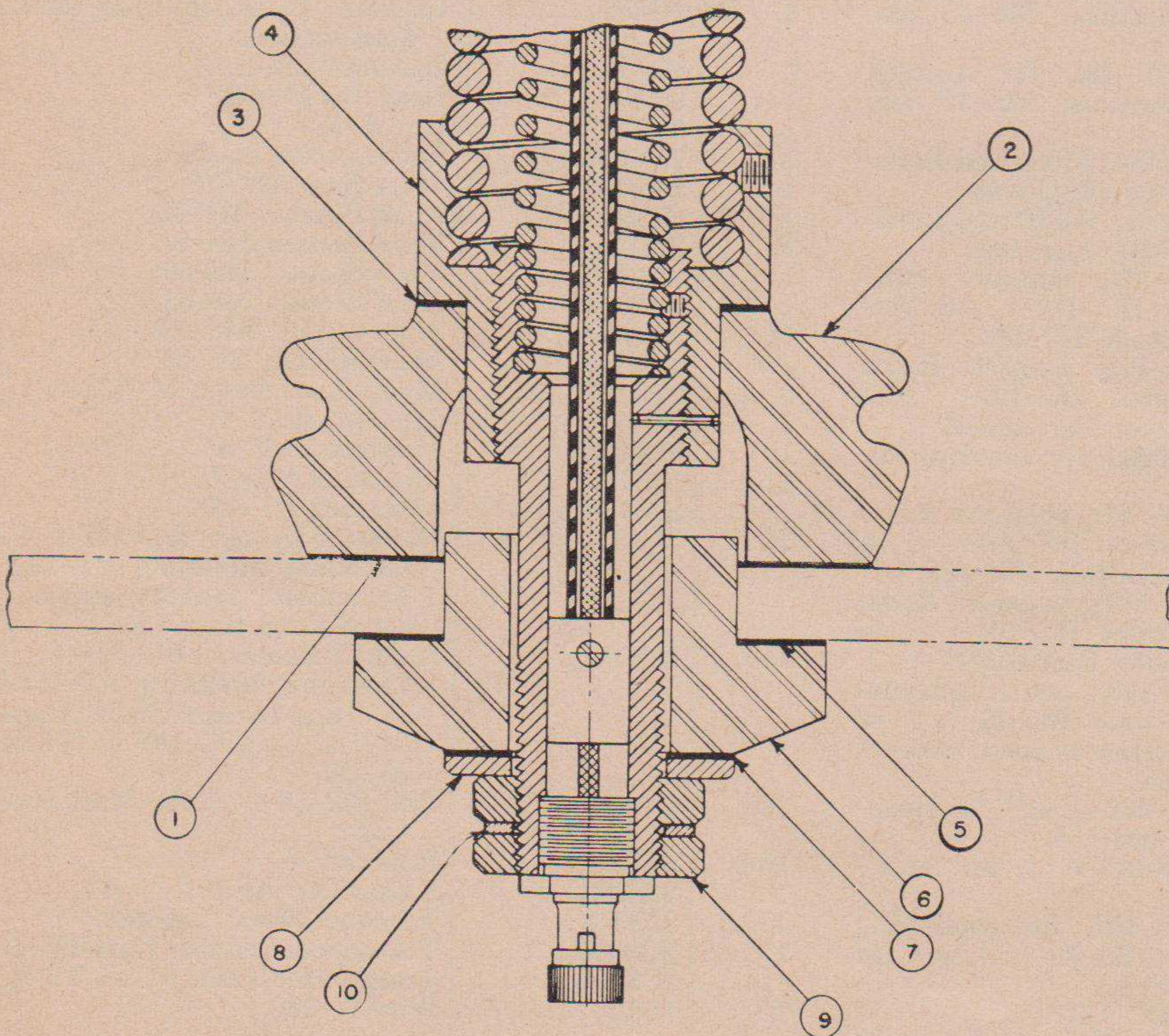
^a If authorized, four additional auxiliary tuning units, one each Transmitter Tuning Unit TU-7, TU-8, TU-9, and TU-10, may be installed in Chest CH-239 replacing rear seat as shown in figure 19.



- ① - FIBER WASHER
- ② - PORCELAIN INSULATOR
- ③ - FABRIC WASHER
- ④ - SPRING RETAINER
- ⑤ - FIBER WASHER
- ⑥ - PORCELAIN INSULATOR
- ⑦ - FABRIC WASHER
- ⑧ - STEEL WASHER
- ⑨ - STEEL NUT
- ⑩ - LOCKWASHER

TL-7539

Figure 7. Mast Base MP-37, assembly for installation.



- ① - FIBER WASHER
- ② - PORCELAIN INSULATOR
- ③ - FABRIC WASHER
- ④ - SPRING RETAINER
- ⑤ - FIBER WASHER
- ⑥ - PORCELAIN INSULATOR
- ⑦ - FABRIC WASHER
- ⑧ - STEEL WASHER
- ⑨ - STEEL NUT
- ⑩ - LOCKWASHER

TL-7540

Figure 8. Mast Base MP-57, assembly for installation.

9. Assembly and Installation

a. PRELIMINARY CHECK. Radio Set SCR-193-KW (waterproof) may be installed in Truck, 1/4-ton, 4 x 4, with either of the following 12-volt conversion kits. Check to see that the conversion has been made before beginning installation.

(1) Under-the-hood conversion kit in which all 6-volt electrical components of the vehicle are replaced by 12-volt components. Two 6-volt storage batteries, one originally furnished with the truck, and one supplied with the conversion kit, are installed between the front seats to furnish, in series, 12-volt power supply for both the radio set and the vehicular system.

(2) Power-take-off conversion kit in which

a 12-volt generator and regulator is mounted over the transmission of the vehicle to be driven by a belt and pulley operated off the shaft of the transmission. Two 6-volt storage batteries are supplied with the conversion kit and are installed, one behind each front seat. These two batteries, in series, furnish 12-volt power for operation of the set independently of the 6-volt system of the vehicle.

b. PROCEDURE. Components of the radio set should be installed as shown in figure 19, and as directed below.

c. LEFT-HAND CABINET. Install the items listed below inside the left-hand cabinet, details of which are shown in figures 14, 16, and 17.

Part and Location

Mounting FT-107-().

Dynamotor Unit BD-77-() and Cover BG-79-().

Shelf (part of left-hand cabinet).

Mounting FT-162.

Mounting FT-178.

Radio Receiver BC-312-() and Cover BG-75-().

Loudspeaker LS-3.

Terminal Block TM-183 and cover.

Method and Materials

Attach to the floor of the cabinet, left portion, with six 1/4-inch-20 x 3/4-inch screws, nuts, and lockwashers.

Place the dynamotor unit on the mounting and secure in place with the snap-slide fasteners provided. Place the cover over the dynamotor unit.

Fasten inside the cabinet with the hardware provided.

Attach to the left portion of the shelf, inside the cabinet, with ten No. 10-32 x 3/4-inch screws, nuts, and lockwashers.

Attach to the rear wall of the cabinet, near the top, as shown in figure 19, with four No 10-32 x 1/2-inch screws, nuts, and lockwashers.

Remove the receiver from the cabinet. Drill the top of the cabinet as shown in figure 9 and attach the small angle bracket which is supplied with Mounting FT-178. Replace the receiver in the cabinet, place on Mounting FT-162-() and secure with the snap-slide fasteners provided. Cut a slot in Cover BG-75-() to admit item 1, figure 10, and complete the assembly of the mounting as shown in figure 10.

Attach to the rear wall of the cabinet, upper right portion, as shown in fig. 19, with four 1/4-inch-20 x 5/8-inch screws on the back of the speaker.

Attach the terminal block to the right portion of the shelf inside the cabinet with the provided hardware. Fasten the cover over the terminal block after the connections are completed.

d. RIGHT-HAND CABINET. Install the items listed below inside the right-hand cabinet, details of which are shown in figures 14, 15, and 17.

<i>Part and Location</i>	<i>Method and Materials</i>
Mounting FT-151-().	Attach to the floor of the cabinet as shown in figure 19, with ten 1/4-inch-20 x 3/4-inch screws, nuts, and lockwashers, placing the nuts on the inside of the cabinet.
Mounting FT-172.	Attach to the rear wall of the cabinet near the top center, as shown in figure 19, with the hardware provided.
Radio Transmitter BC-191-() and Cover BG-78-().	Drill the top of the transmitter cabinet as shown in figure 11. Place the transmitter on Mounting FT-151-() and secure with the snap-slide fasteners provided. Cut a slot in Cover BG-78-() to admit item 1, figure 10, and place the cover over the transmitter. Complete the assembly of Mounting FT-178 as shown in figure 10.
Insulator IN-98.	Attach to the center of the right end panel with the hardware provided.

e. ADDITIONAL COMPONENTS. Complete the installation in the following sequence:

<i>Part and Location</i>	<i>Method and Materials</i>
Cabinets (left-hand and right-hand).	Secure to the rear wheelwells as shown in figure 19, using the hardware provided.
Case CS-48.	Drill two holes in Case CS-48. Secure the case to the floor of the left-hand cabinet using two of the screws that secure the cabinet to the vehicle.
Rear seat-back and footman's loops.	Remove the rear seat-back from the vehicle. Cut and drill the seat-back as shown in detail C, figure 19. Attach the three footman's loops to the seat-back with the hardware provided. Secure the seat-back to the brackets on the cabinet, right and left, as shown in figure 17.
Roll BG-56-().	Attach to the seat-back with the footman's loop and the provided strap.
Mast Bracket MP-63.	Secure to the spare wheel bracket at the rear of the vehicle using the same nuts which support the spare wheel.
Mast Base MP-57.	Refer to figure 8 and assemble the mast base as follows: Place item 1 over the hole in the mast bracket. Place item 2 over item 1. Place item 3 over item 2. Insert item 4 through the hole in the mast bracket. Place item 5 over the flange of item 6. Insert item 6 upward through the hole in the mast bracket. Place items 7 and 8 beneath item 6 and fasten the entire assembly in place with items 9 and 10.

Insulators IN-121.

Mast Sections MS-49 to MS-53 and
Clamps MC-421 to MC-424.

Chest CH-239 and Tuning Units
TU-7, TU-8, TU-9, and TU-10
(when authorized).

Connectors No. 61004 and No.
61007, and Bondnut BL-50.

f. CORDING AND WIRING. (1) Cord and wire Radio Set SCR-193-KW (waterproof) as shown in figures 19 and 20. Fasten all cordage in place with the provided clamps and hardware as shown in figure 19. Wrap enough friction tape around the antenna lead-in wire and apply elastic cement to make a water-tight joint where the wire passes through Insulator IN-121 in the cabinet.

Connect and secure so as not to interfere with the accessibility and operation of the

Install one through the hole in the mast bracket. Install the other through the hole in the end of the right-hand cabinet (flange on the outside) with a rubber washer on each side of the cabinet wall and a large metal washer over the rubber washer on the inside of the cabinet. Use elastic cement to make a watertight joint.

Screw the mast sections together and secure with the clamps. Fasten the clamps to the male end of the mast sections. Then screw the mast antenna into the mast base. When not in use, stow the mast sections in Roll BG-56-().

Remove the rear seat from the vehicle and mount Chest CH-239 with the hardware provided. Figure 13 shows details and figure 18 shows assembly of the chest. Insert the tuning units into the chest and fasten the lid on the chest.

Install in the positions where shown in figure 19. Use elastic cement to make waterproof connections with the cabinet.

equipment. Enough slack must be left to permit free movement of all units having shock mounting. Cording or cable likely to rub against sharp edges should be taped with at least two layers to prevent damage. Solder-tin all wire ends.

(2) To prevent accidental shorts of the battery, do not connect the positive 12-volt and negative 12-volt leads (in the terminal box) until all other connections have been completed.

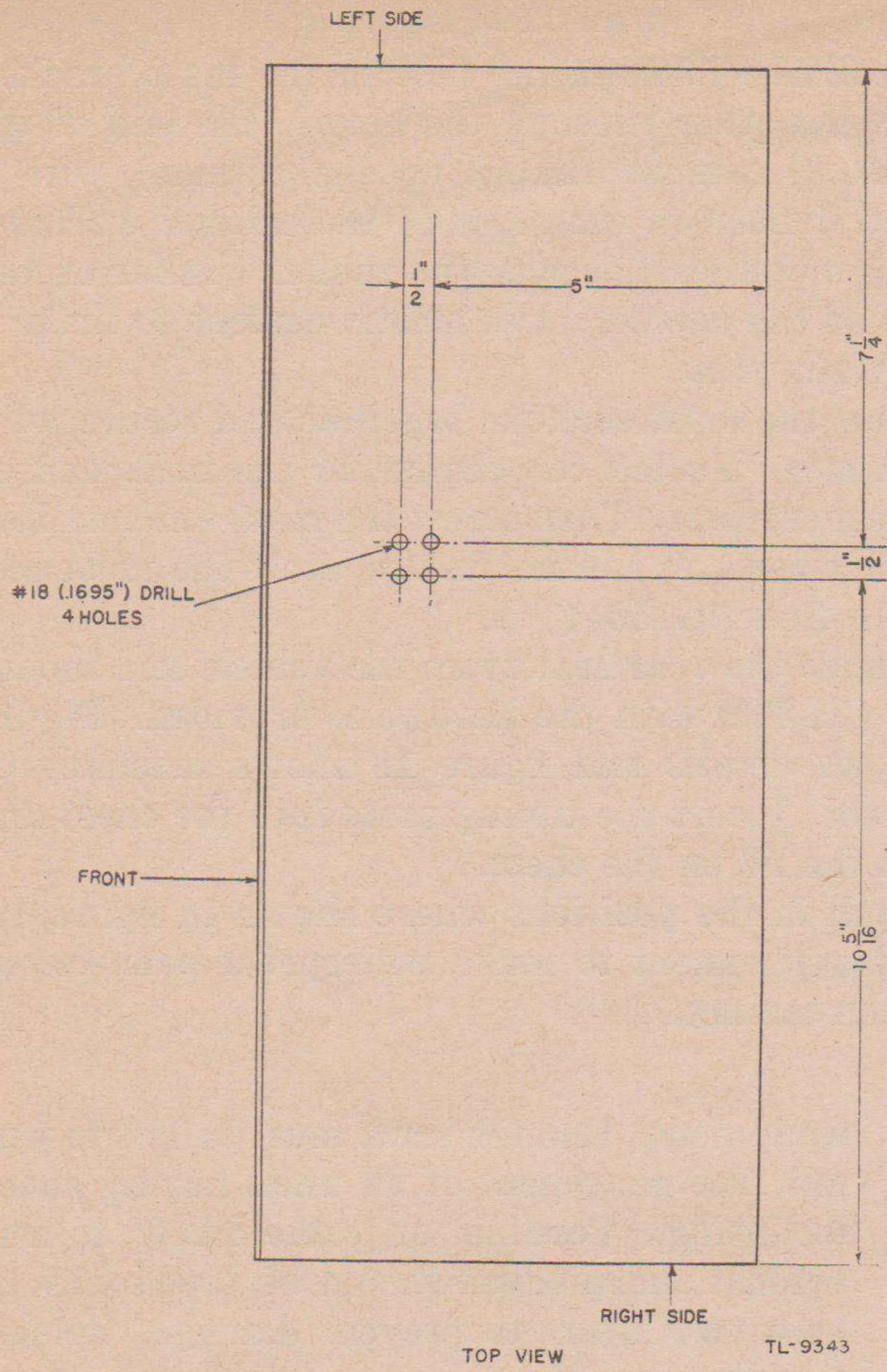


Figure 9. Drilling cabinet of Radio Receiver BC-312- () for Mounting FT-178.

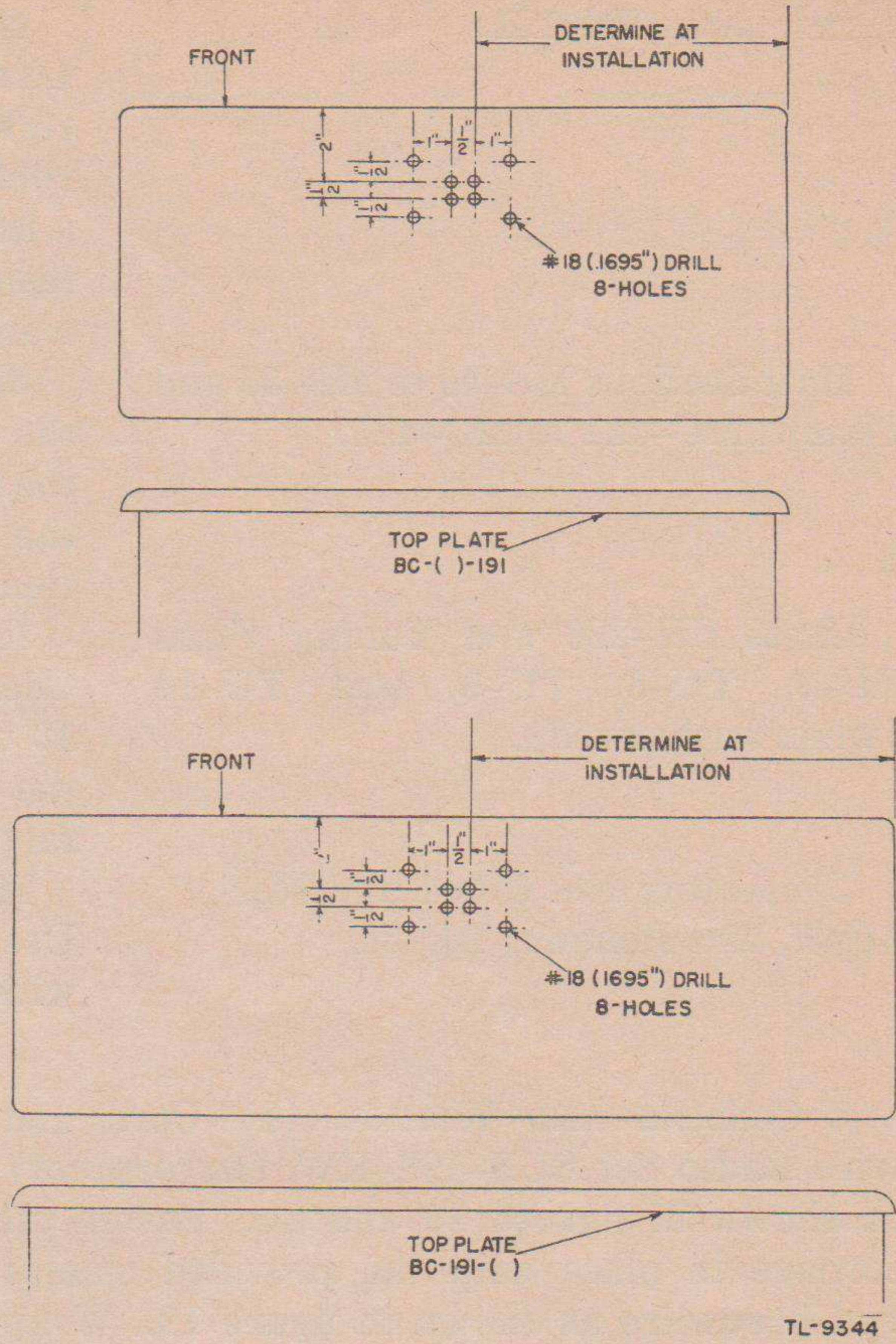


Figure 11. Drilling cabinet of Radio Transmitter BC-191- () for Mounting FT-172.

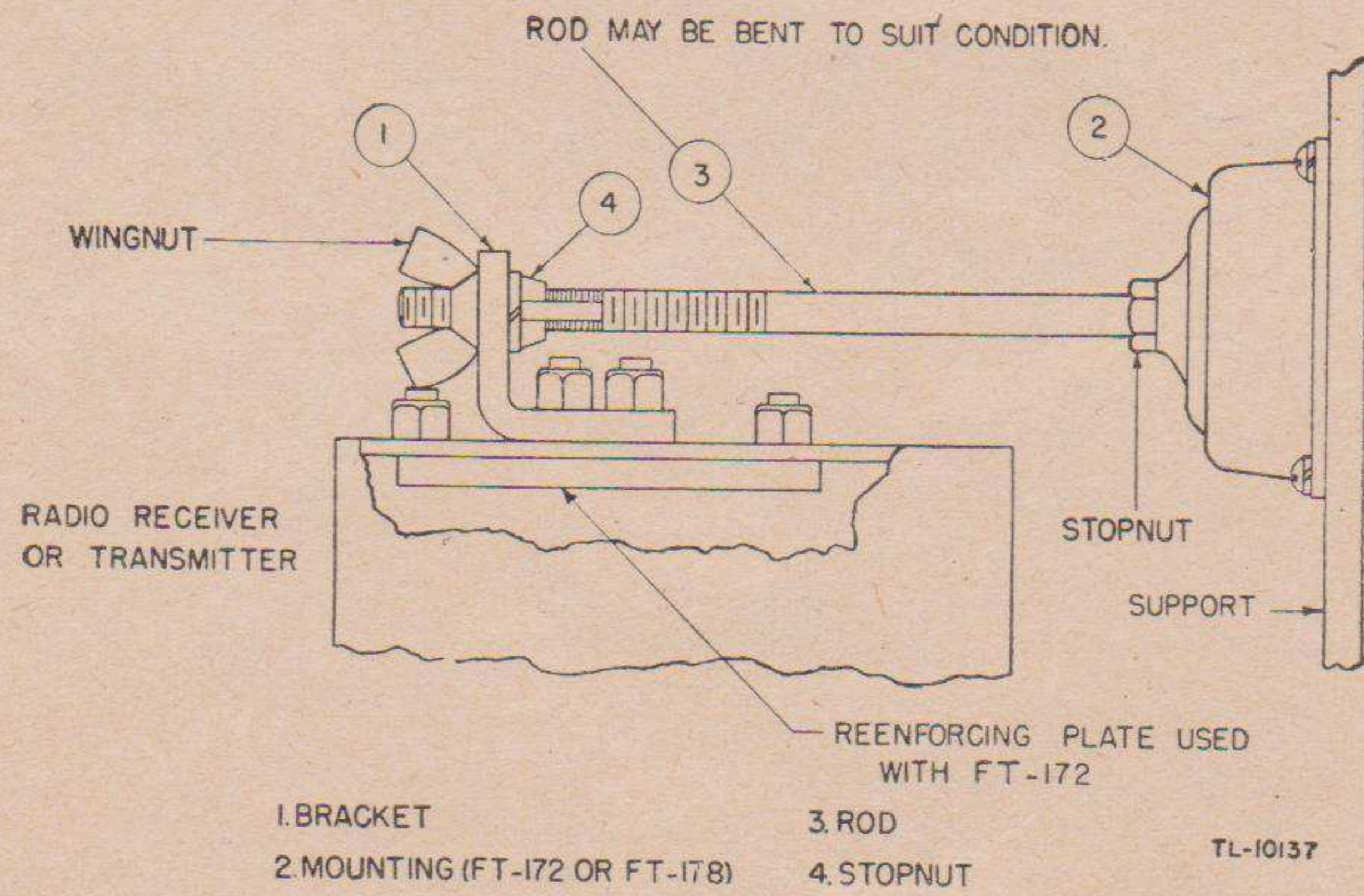


Figure 10. Assembly of Mounting FT-172 or FT-178.

SECTION IV

RADIO SET SCR-284-()

10. Required Parts

Items necessary for the installation of Radio

Set SCR-284-() in Truck, 1/4-ton, 4x4, are listed below:

Quantity	Stock No.	Item	Quantity	Stock No.	Item
1	2Z502	Bag BG-102-(), for spare parts, batteries, headsets, etc.	1	6L50-284V26	Hardware bag.
1	2Z529	Bag BG-129 for Power Unit PE-103-().	^a 2	2B830	Headset HS-30-().
1	2Z1131	Box BX-31-(), for spare tubes and spare vibrators.	1	3G586	Insulator IN-86, for tying down mast sections.
1	2Z2651-421	Clamp MC-421, for securing Mast Sections MS-49 and MS-50.	3	3G604	Insulator IN-104.
1	2Z2651-422	Clamp MC-422, for securing Mast Sections MS-50 and MS-51.	1	3Z3445	Key J-45.
1	2Z2651-423	Clamp MC-423, for securing Mast Sections MS-51 and MS-52.	1	3Z3448	Key J-48-().
1	2Z2651-424	Clamp MC-424, for securing Mast Sections MS-52 and MS-53.	^a 1	2Z6310-7	Loudspeaker LS-7.
1	3E1501	Cord CD-501-().	1	2A2088-57	Mast Base MP-57 or MP-37 (2A2087).
2	3E1307A-5.5	Cord CD-307-A, 65" for Headset HS-30-().	1	2A2090-45	Mast Bracket MP-45-().
^a 2	3E1604	Cord CD-604, 6", for connecting Headset HS-30-() to Cord CD-307-A.	1	2A2349	Mast Section MS-49.
1	2Z3367	Cover BG-67-(), for mast base.	1	2A2350	Mast Section MS-50.
1	2Z3400-154	Cover BG-154, for radio set.	1	2A2351	Mast Section MS-51.
1	2Z4641	Frame FM-41-().	1	2A2352	Mast Section MS-52.
			1	2A2353	Mast Section MS-53.
			1	2B1617	Microphone T-17-().
			1	2B1645	Microphone T-45.
			1	3H4600-104	Power Converter Unit PE-104-().
			1	3H4600-103	Power Unit PE-103-().
			1	2C5374	Radio Receiver and Transmitter BC-654-(), including crystal and tubes installed.
			1	2Z8058	Roll BG-58, for mast sections.
			15 ft.	6Z7926	Rope RP-5, for tying down mast sections.
			10 ft.	1B142	Wire W-142.

^a If the radio receiver has a 250-ohm impedance output, Cord CD-933 will replace Cord CD-604 and Loudspeaker LS-11 will replace Loudspeaker LS-7. Headset HS-23 may replace Headset HS-30-() and Cord CD-604 in those sets having high output impedance.

11. Assembly and Installation

a. PROCEDURE. Components of the radio set should be installed as shown in figure 21 and as directed below. Before proceeding with the installation perform any necessary

drilling of the vehicle and cut Frame FM-41-() into two sections, as shown in figure 21, discarding the pieces cut from the upright frame members.

Part and Location

Frame FM-41-() (lower section), over right wheelwell, as shown in figure 21.

Frame FM-41-() (upper section), over left wheelwell, as shown in figure 21.

Method and Materials

Attach to the wheelwell with four 5/16-inch screws, nuts, flat washers, and lockwashers.

Attach to the wheelwell with four 5/16-inch screws, nuts, flat washers, and lockwashers.

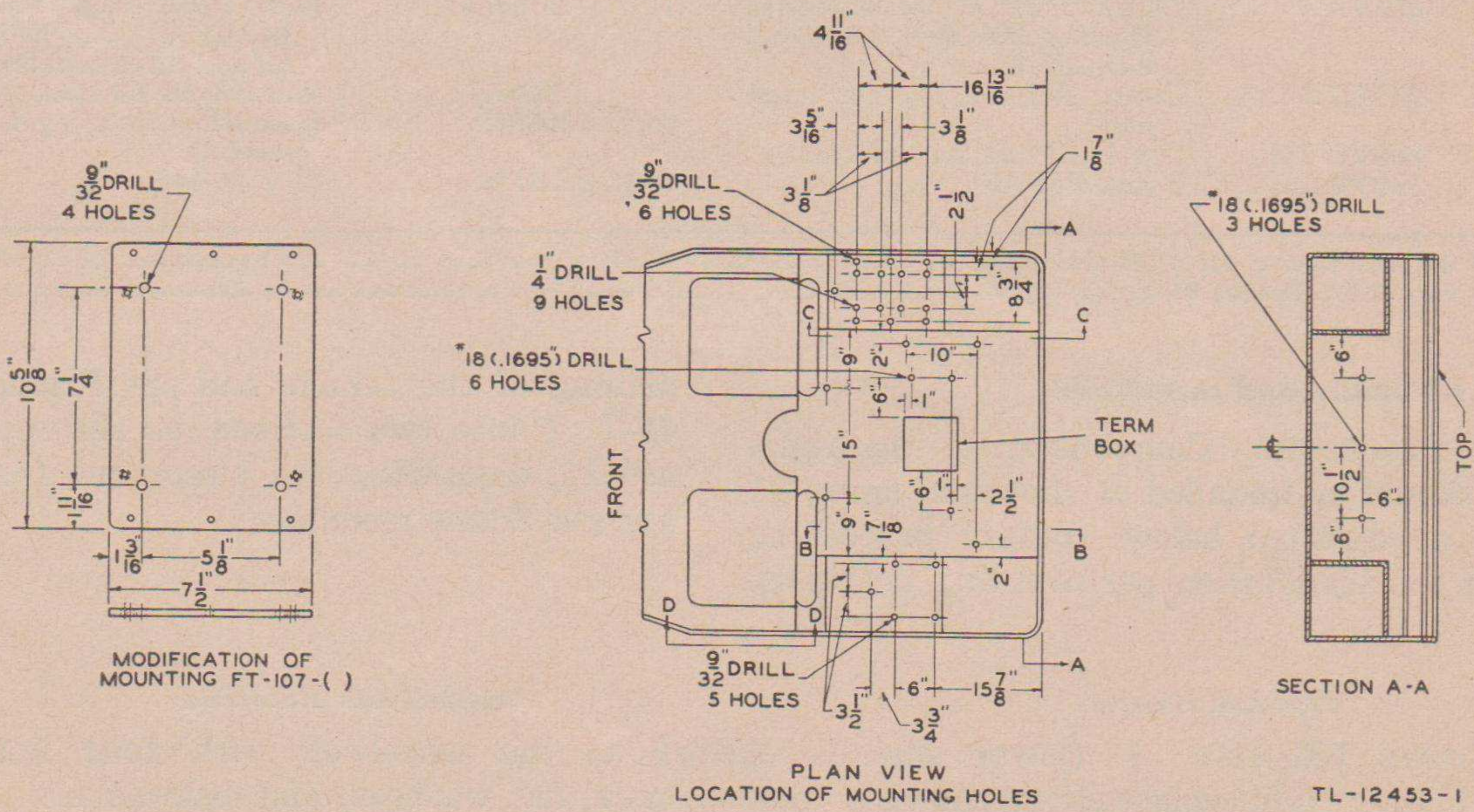
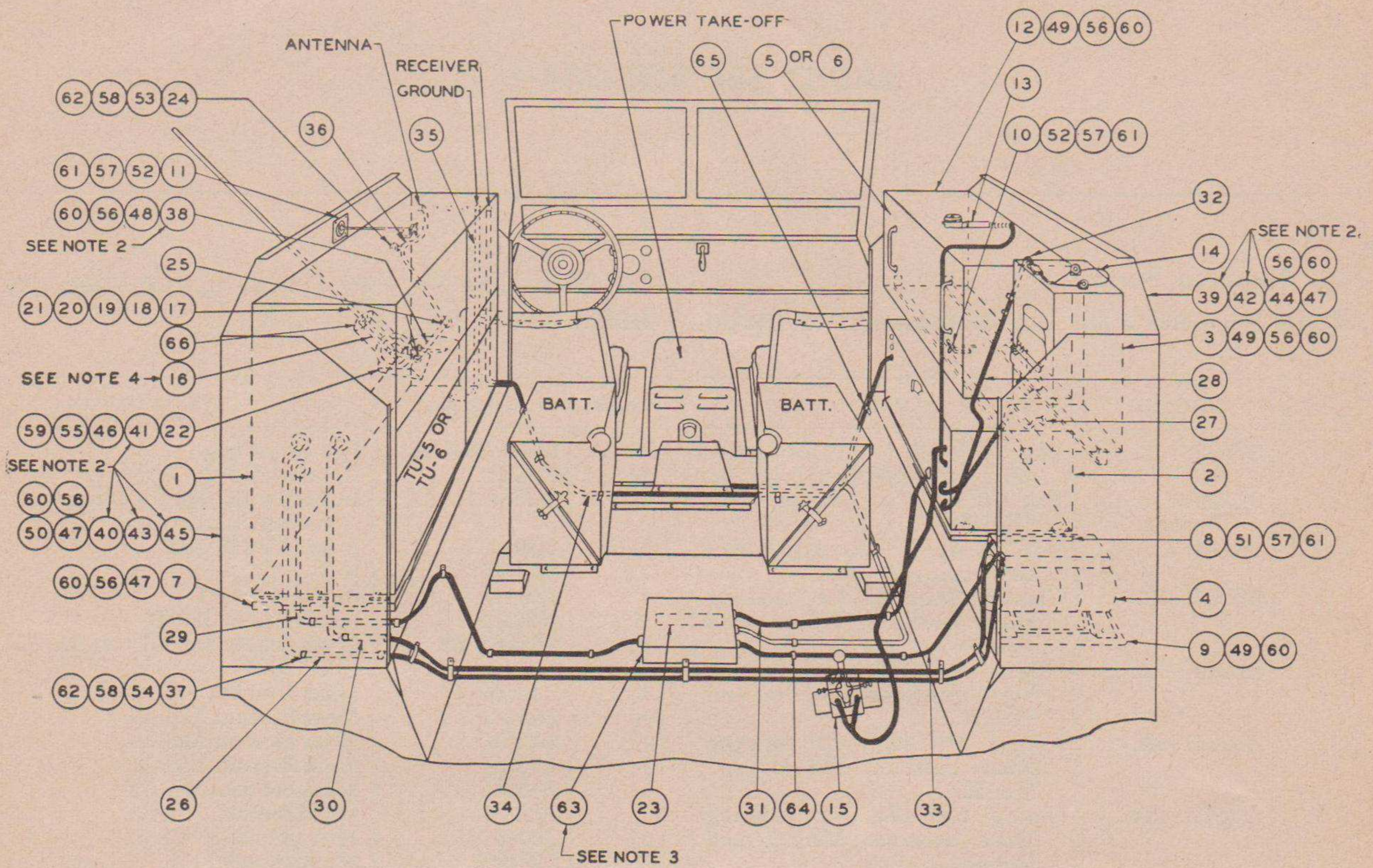
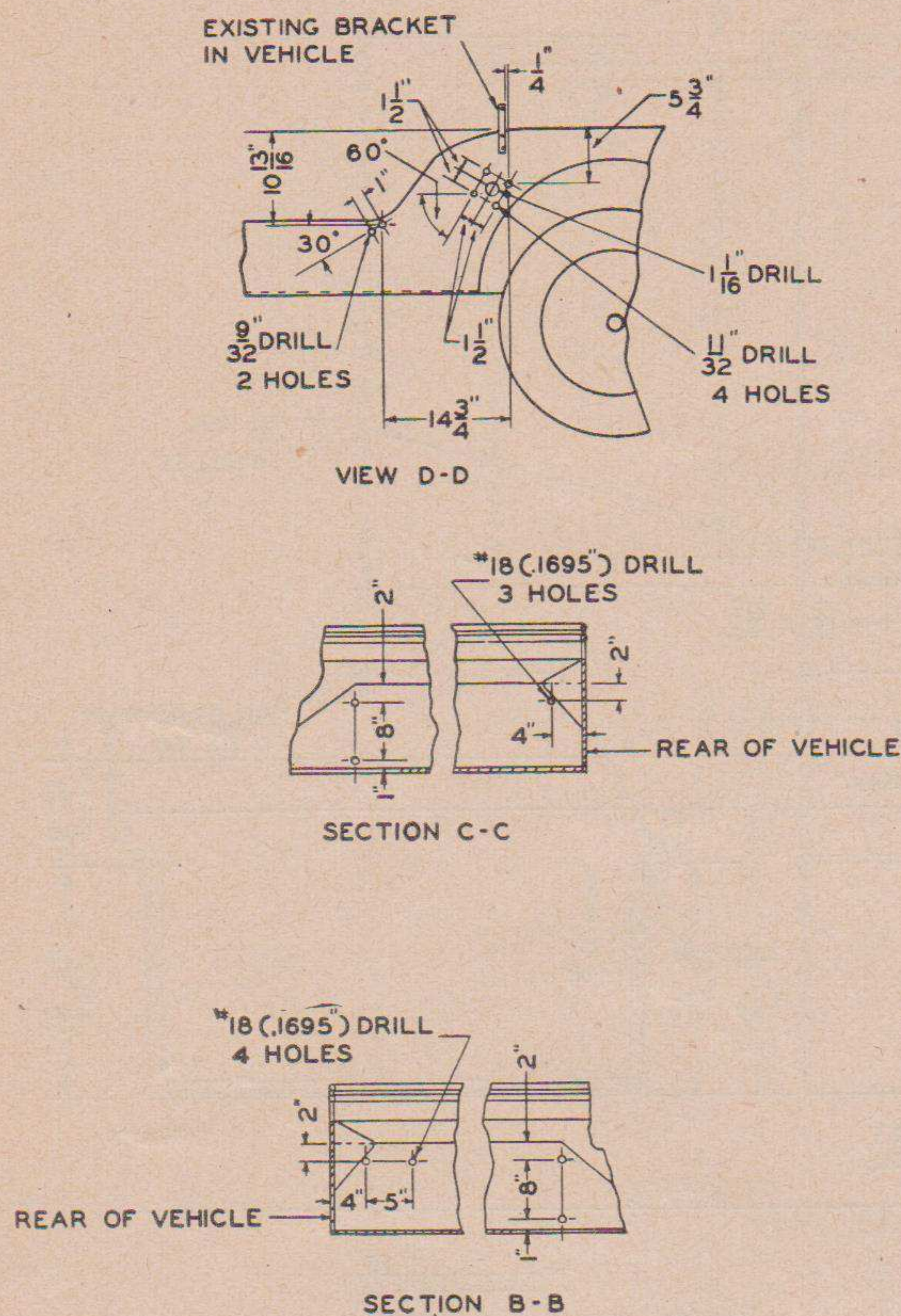


Figure 12. Intallation of Radio Set SCR-193-KB in Truck, 1/4-ton, 4x4.

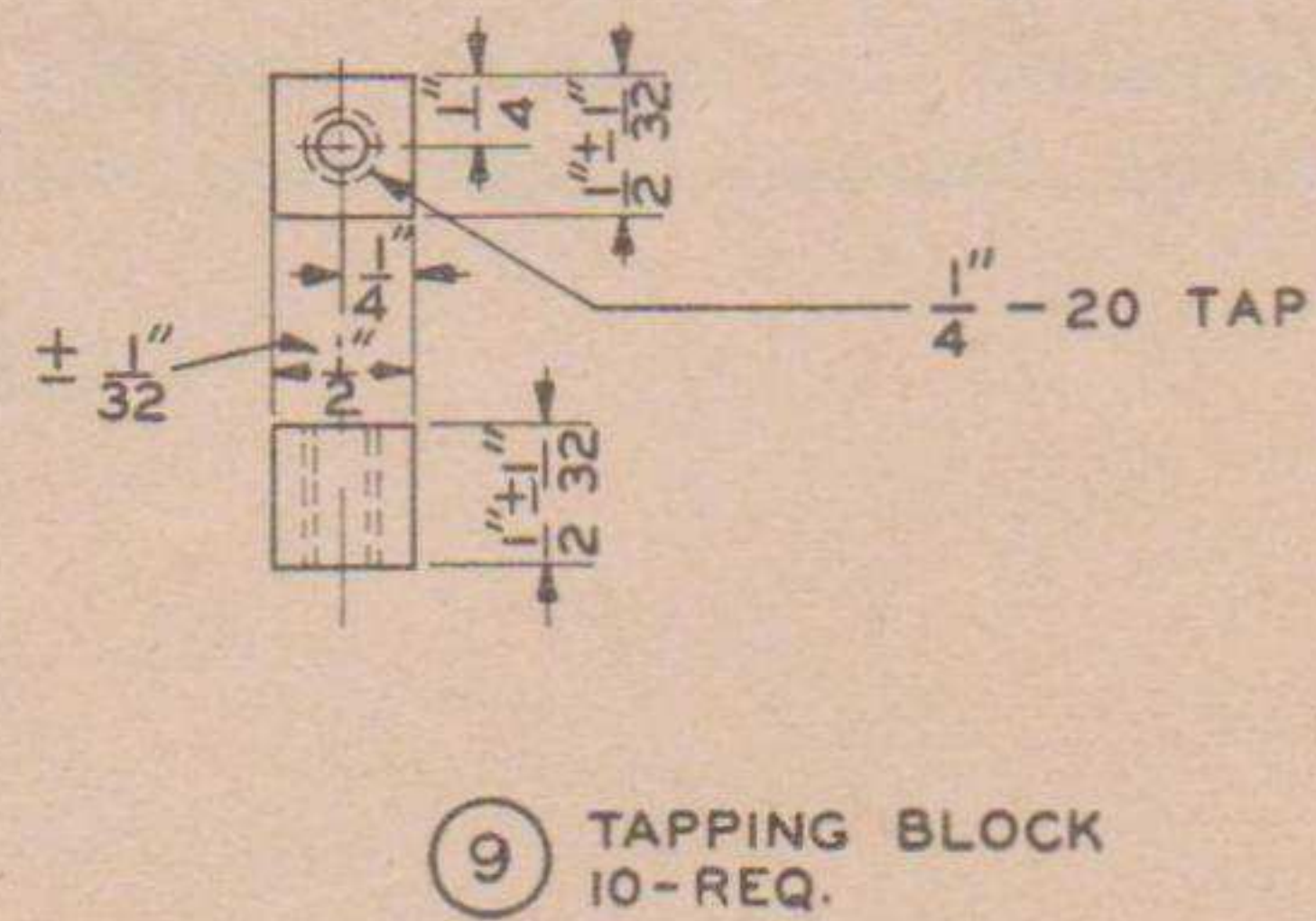
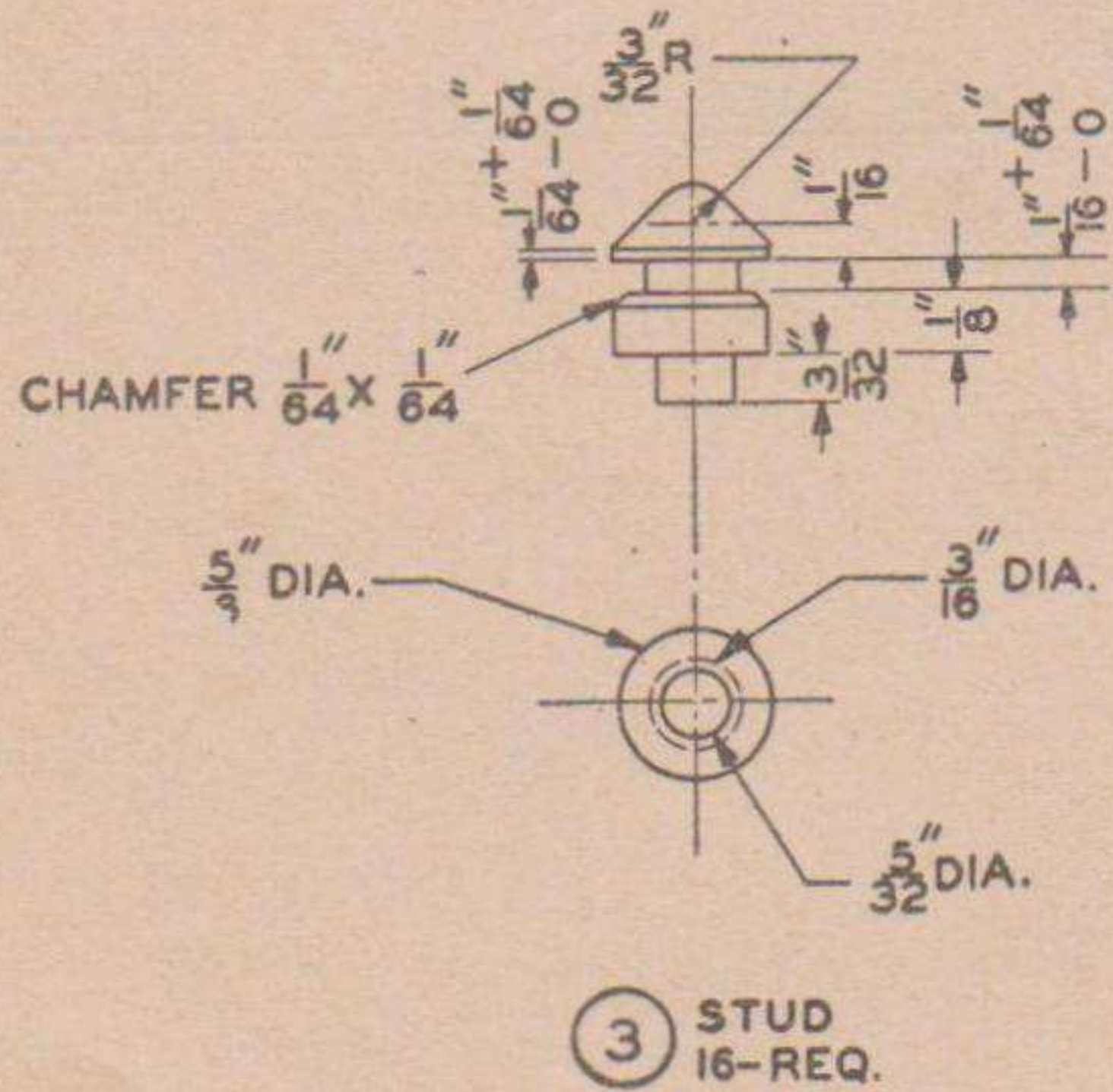
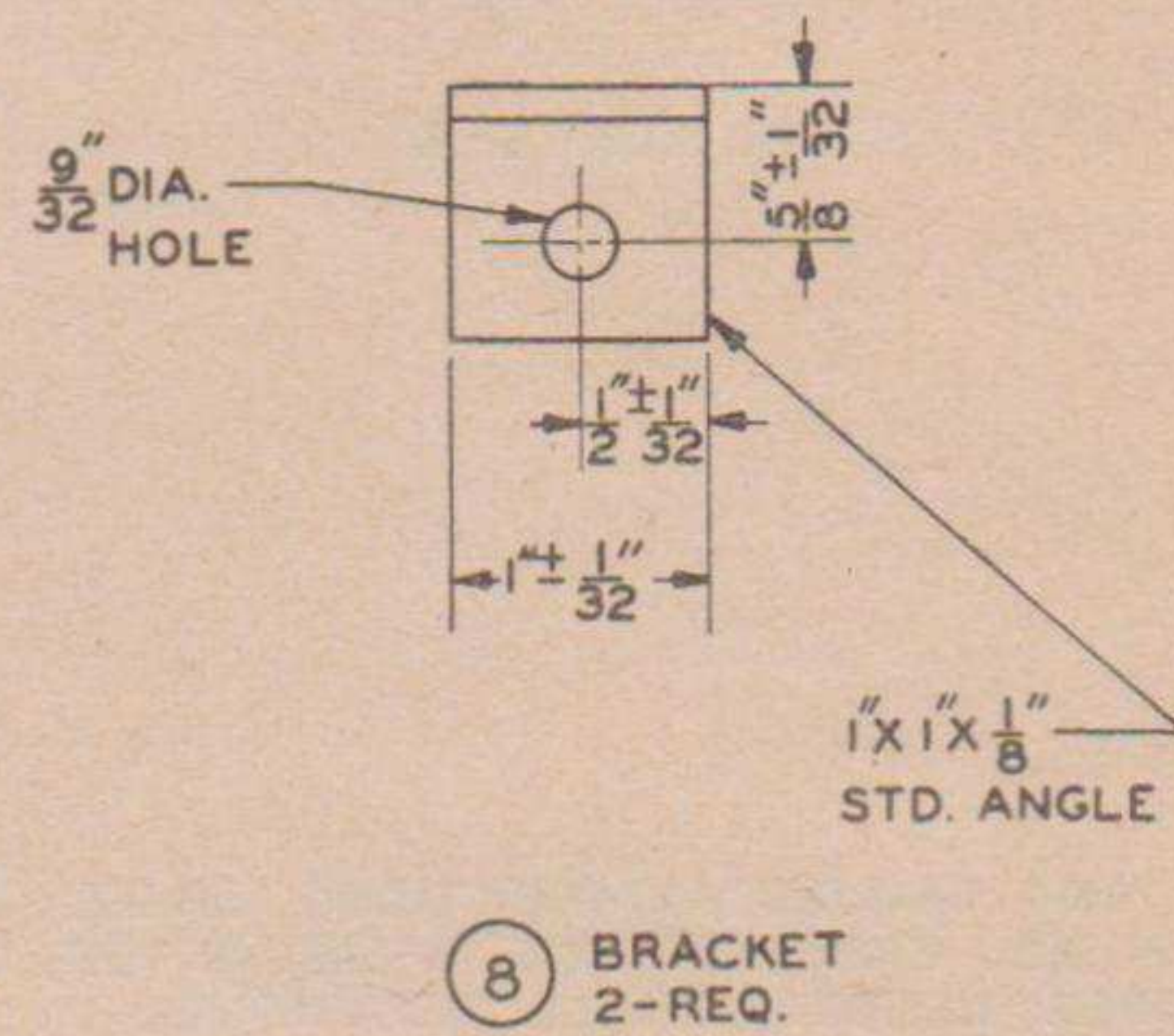
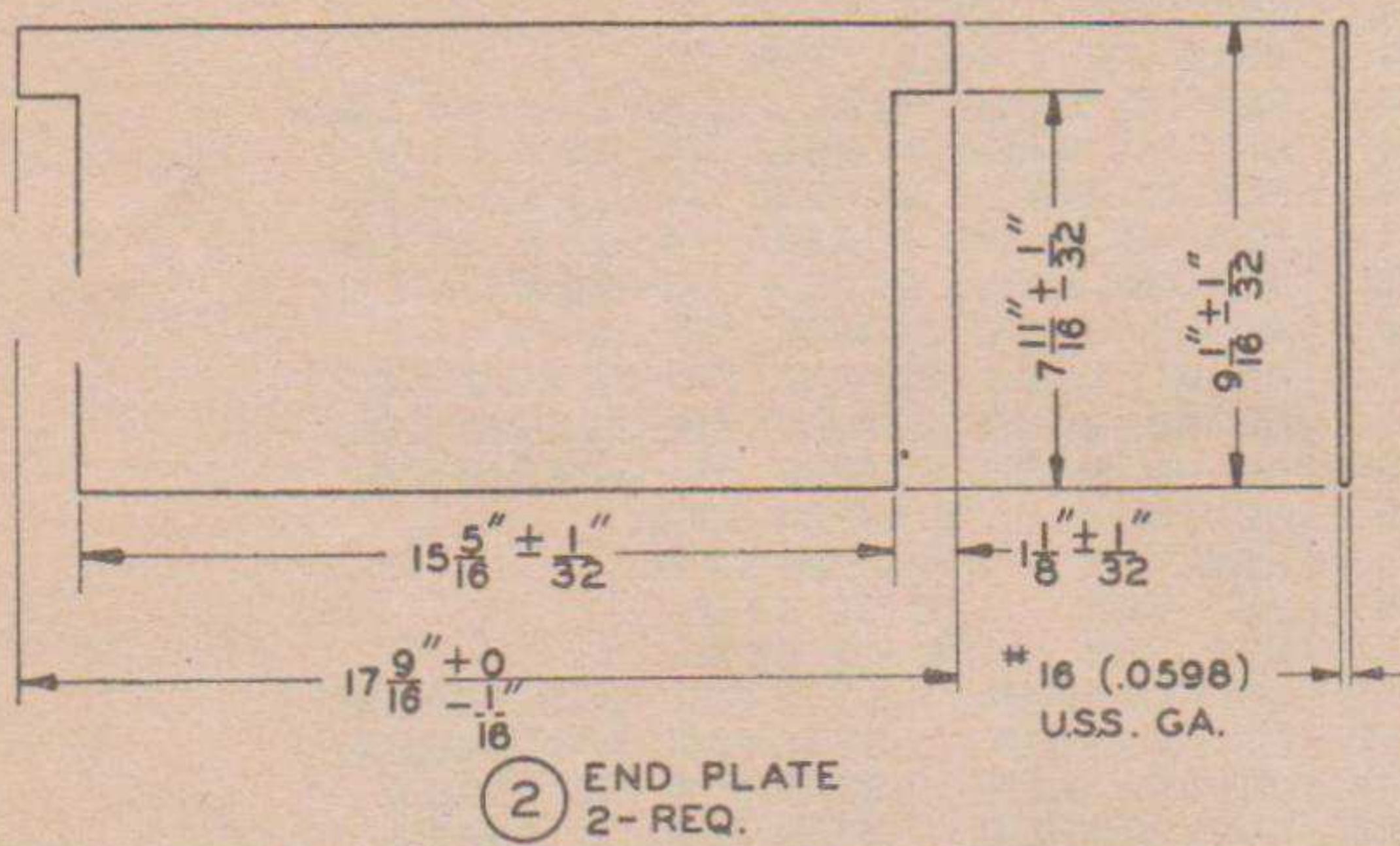
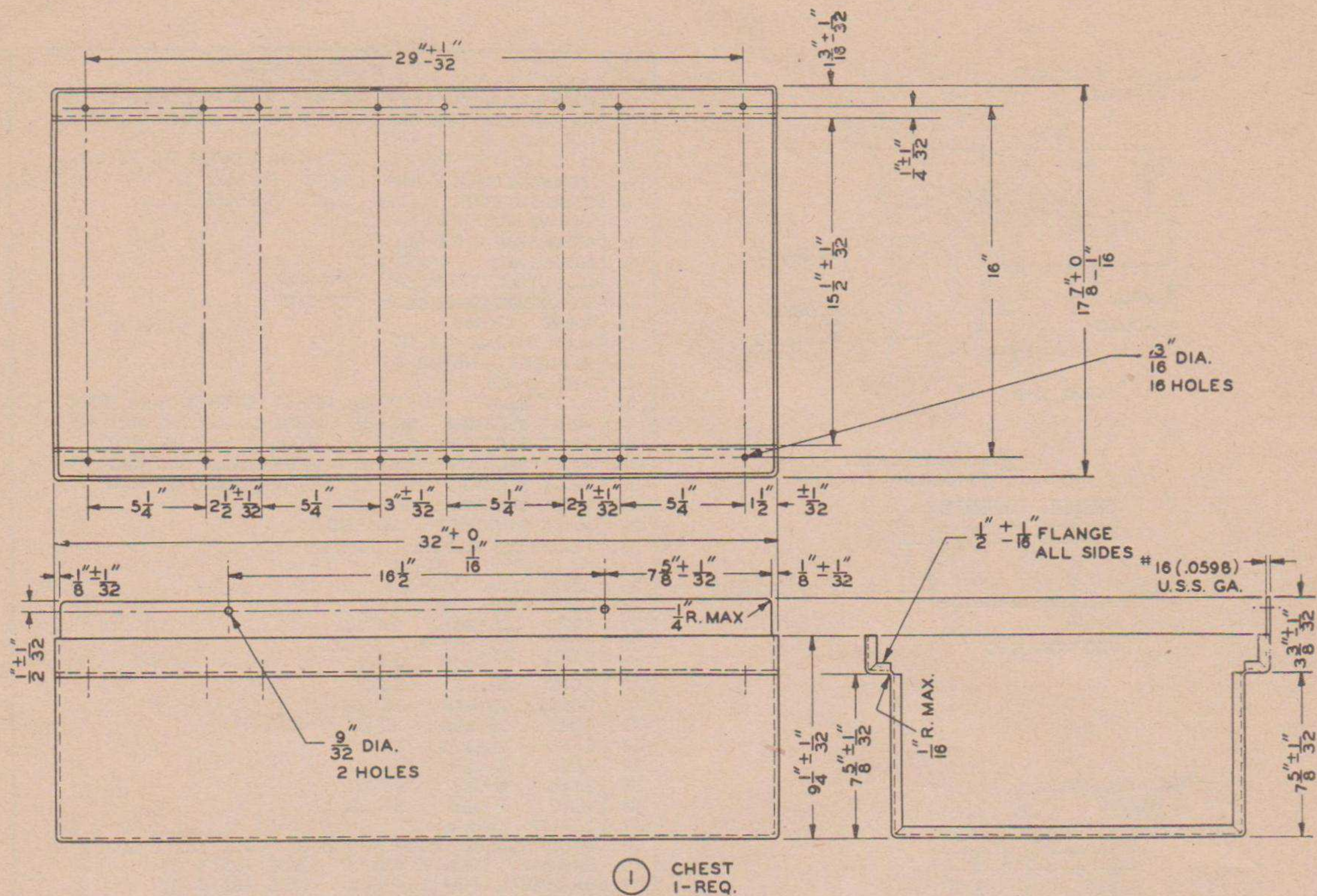


- NOTE:
1. ANTENNA AND GROUND CONNECTIONS SHALL BE MADE WITH WIRE W-128. ENDS OF WIRE W-128, AFTER BEING CUT TO PROPER LENGTH, SHALL BE TINNED.
 2. FOR INSTALLATION OF BRACKETS SEE FIG. 1.
 3. (63) TO BE INSTALLED BY CAR MFR.
 4. USE ITEM (66) WHEN MAST SECTIONS ARE NOT IN USE.
 5. FOR ADDITIONAL COMPONENTS AND SPARE PARTS, SEE PARTS LIST.

ITEM NO.	NAME OF ITEM	QUAN. REQ.
1	RADIO TRANSMITTER BC-191-() WITH COVER BG-78-()	1
2	RADIO RECEIVER BC-312-() WITH COVER BG-75-()	1
3	LOUDSPEAKER LS-3	1
4	DYNAMOTOR BD-77-() WITH COVER BG-79-()	1
5	TRANSMITTER TUNING UNIT TU-5-()	1
6	TRANSMITTER TUNING UNIT TU-8-()	1
7	MOUNTING FT-151-()	1
8	MOUNTING FT-162	1
9	MOUNTING FT-107-()	1
10	MOUNTING (SNUBBER) FT-178	1
11	MOUNTING (SNUBBER) FT-172	1
12	CASE CS-48	1
13	MICROPHONE T-17-()	1
14	HEADSET HS-30-()	1
15	KEY J-45	1
16	MAST BASE MP-37 OR MP-57 WITH COVER BG-67-()	1
17	MAST SECTION MS-49 WITH CLAMP MC-421	1
18	MAST SECTION MS-50 WITH CLAMP MC-422	1
19	MAST SECTION MS-51 WITH CLAMP MC-423	1
20	MAST SECTION MS-52 WITH CLAMP MC-424	1
21	MAST SECTION MS-53	1
22	MAST BRACKET MP-50	1
23	TERMINAL BLOCK TM-183	1
24	INSULATOR IN-98	1
25	INSULATOR IN-121	2
26	CORD CD-676 54" LG.	1
27	CORD CD-265 24" LG.	1
28	CORD CD-307-A 65" LG.	1
29	CORD CD-410 60" LG.	1
30	CORD CD-670 54" LG.	1
31	CORD CD-474 36" LG.	1
32	CORD CD-604 6" LG.	1
33	CORD CO-273 54" LG.	1
34	WIRE W-128 96" LG.	1
35	WIRE W-128 26" LG.	1
36	WIRE W-128 36" LG.	1
37	CLAMP NO. 4	10
38	BRUSH GUARD, ITEM 8, FIG. 3 (SEE NOTE 2)	1
39	BRACKET, ITEM 7, FIG. 3 (SEE NOTE 2)	2
40	BRACKET, ITEM 6, FIG. 3 (SEE NOTE 2)	1
41	REINFORCING PLATE, ITEM 5, FIG. 3 (SEE NOTE 2)	1
42	REINFORCING PLATE, ITEM 4, FIG. 3 (SEE NOTE 2)	1
43	REINFORCING PLATE, ITEM 3, FIG. 3 (SEE NOTE 2)	1
44	BRACKET (SEE NOTE 2)	1
45	BRACKET (SEE NOTE 2)	1
46	HEX. HD. MACH. SCREW 5/16"-24 X 3/4" LG.	4
47	HEX. HD. MACH. SCREW 1/4"-20 X 1" LG.	11
48	HEX. HD. MACH. SCREW 1/4"-20 X 3/4" LG.	3
49	HEX. HD. MACH. SCREW 1/4"-20 X 1/2" LG.	12
50	HEX. HD. MACH. SCREW 1/4"-20 X 1/4" LG.	3
51	RD. HD. MACH. SCREW #10-32 X 1" LG.	10
52	RD. HD. MACH. SCREW #10-32 X 1/2" LG.	8
53	RD. HD. MACH. SCREW #8-32 X 1/2" LG.	3
54	RD. HD. MACH. SCREW #8-32 X 3/8" LG.	26
55	HEX. NUT 5/16"-24 ST'D.	4
56	HEX. NUT 1/4"-20 ST'D.	22
57	HEX. NUT #10-32 ST'D.	18
58	HEX. NUT #8-32 ST'D.	23
59	LOCKWASHER ST'D. FOR 5/16" SCREW	4
60	LOCKWASHER ST'D. FOR 1/4" SCREW	29
61	LOCKWASHER ST'D. FOR #10 SCREW	18
62	LOCKWASHER ST'D. FOR #8 SCREW	29
63	TERMINAL BOX (SEE NOTE 3)	1
64	CLAMP NO. 7	7
65	CLAMP NO. 1	6
66	COVER BG-67-() (SEE NOTE 4)	1

TL-12453-2

Figure 12—Continued.



TL-13305 - 1

Figure 13. Chest CH-239, details.

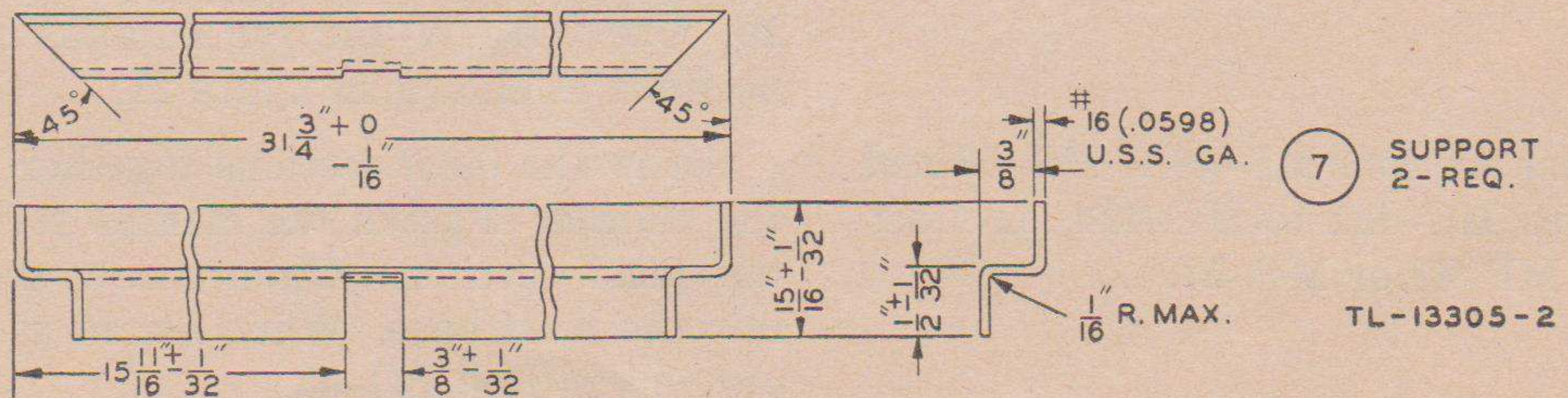
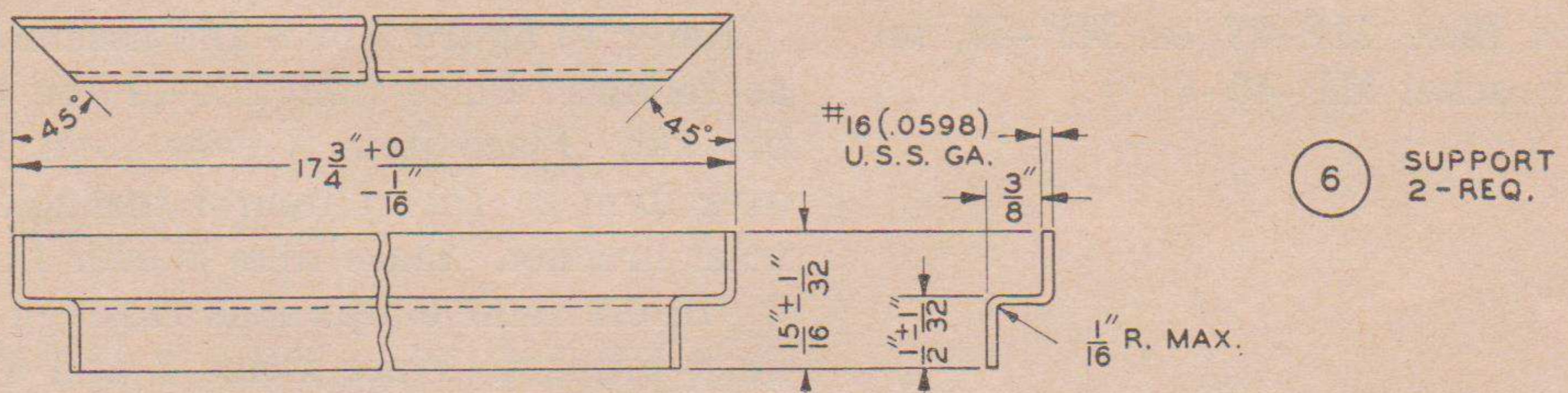
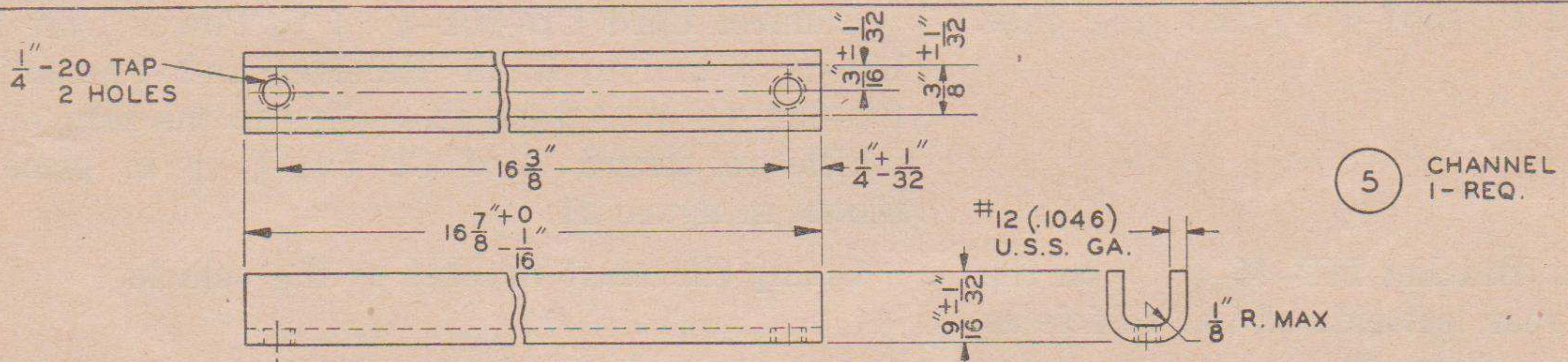
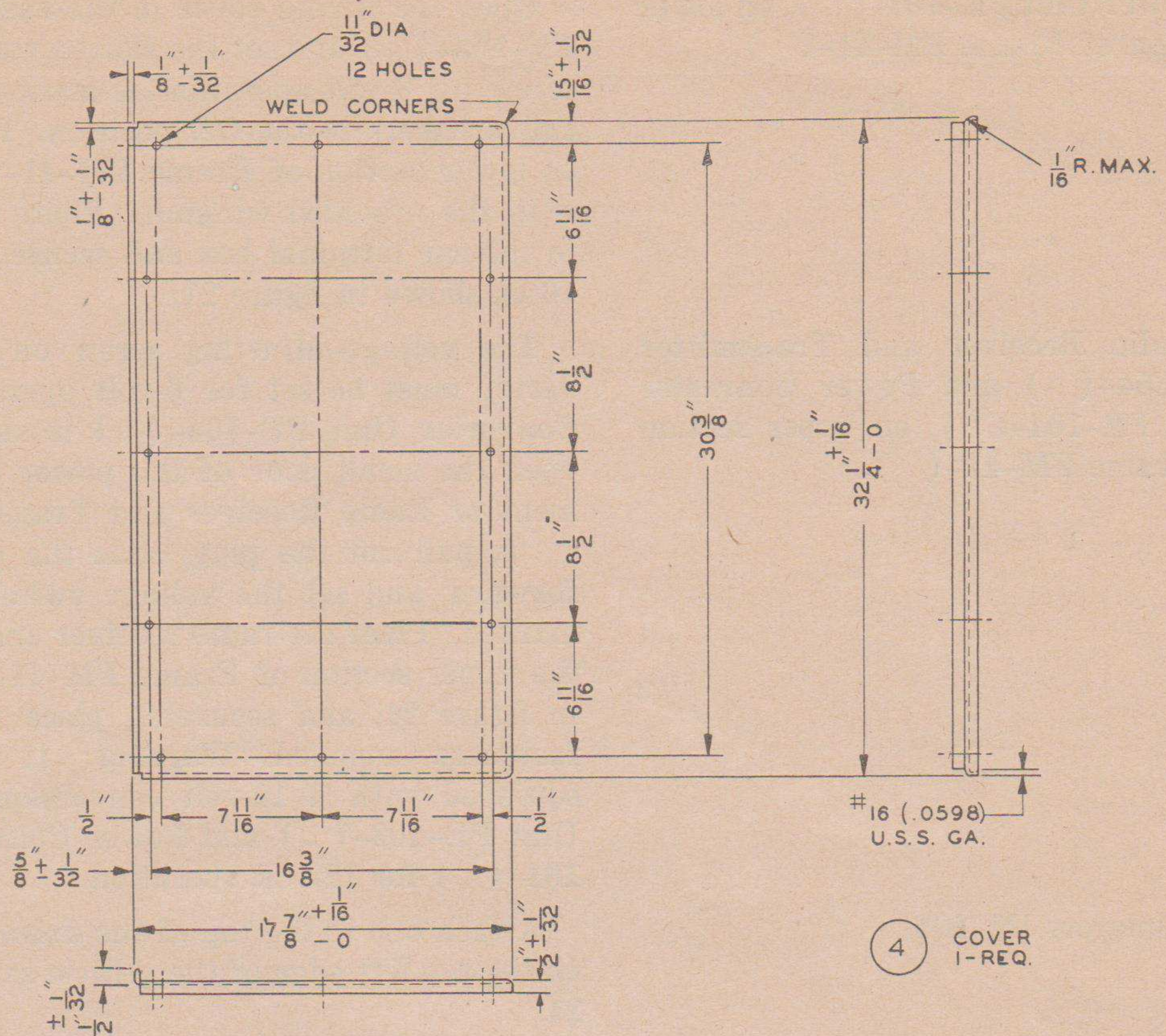


Figure 13—Continued.

Part and Location

Power Unit PE-103-(), on lower section of Frame FM-41-().

Radio Receiver and Transmitter BC-654-() and Power Converter Unit PE-104-(), on upper section of Frame FM-41-().

Insulators IN-104.

Cord CD-501-() and steel clips (fig. 22).

Mast Bracket MP-45-() on the upper rear left side of the vehicle as shown in figure 21.

Mast Base MP-37 or MP-57, on Mast Bracket MP-45-().

Mast Sections MS-49 to MS-53 and Clamps MC-421 to MC-424, on Mast Base MP-37 or MP-57.

Cover BG-67-().

Method and Materials

Open the spring cover in the base of Power Unit PE-103-() and set the slotted voltage-adjustment screw for 6-volt operation as marked. Set the 3 circuit breakers to the ON position. Place power unit on lower section of Frame FM-41-() and secure with the provided wingnut. Route the power cords to the car terminal box and secure with Clamp No. 10 as shown in figure 21.

The voltage-adjusting screw on the power converter must be set for 6-volt operation. If Power Converter Unit PE-104-() is supplied installed, open the small door of the power supply compartment of Radio Receiver and Transmitter BC-654-(), pull out the plug, slide the power converter forward, and set the voltage switch for 6-volts as marked. Place the radio receiver and transmitter on the upper section of Frame FM-41-(), as shown in figure 21, and secure in place with the spring fasteners supplied. **Warning:** If the vehicle is equipped with a 12-volt conversion, adjust Power Unit PE-103-() and Power Converter Unit PE-104-() for 12-volt operation.

Attach one to the top of the driver's seat and two on the top left edge of the vehicle as shown in figure 21.

Connect Cord CD-501-() to Power Unit PE-103-() and to Radio Receiver and Transmitter BC-654-(). Attach steel clips to the rear of the vehicle to secure Cord CD-501-() in place as shown in figure 21.

Clamp the mast bracket to the vehicle.

Refer to figure 7 or 8 and assemble the mast base as follows: Place item 1 over the hole in the mast bracket. Place item 2 over item 1. Place item 3 over item 2. Insert item 4 through the hole in the mast bracket. Place item 5 over the flange of item 6. Insert item 6 upwards through the hole in the mast bracket. Place items 7 and 8 beneath item 6 and fasten entire assembly in place with items 9 and 10. Use Wire W-142 for antenna and ground connections as shown in figure 21.

Screw the mast sections together and secure with the clamps. Fasten the clamps to the male end of the mast sections. Then screw the mast antenna into the mast base. When not in use, stow the mast sections in Roll BG-58.

Place over the mast base when the mast sections are not in use.

b. CORDING AND WIRING. (1) Cord and wire Radio Set SCR-284-() as shown in figure 21. Connect and secure so as not to interfere with the accessibility and operation of the equipment. Enough slack must be left to permit free movement of all units having shock mounting. Cording or cable likely to

rub against sharp edges should be taped with at least two layers to prevent damage. Solder-tin all wire ends.

(2) To prevent accidental shorts of the battery, do not connect the positive and negative leads (in the terminal box) until all other connections have been completed.

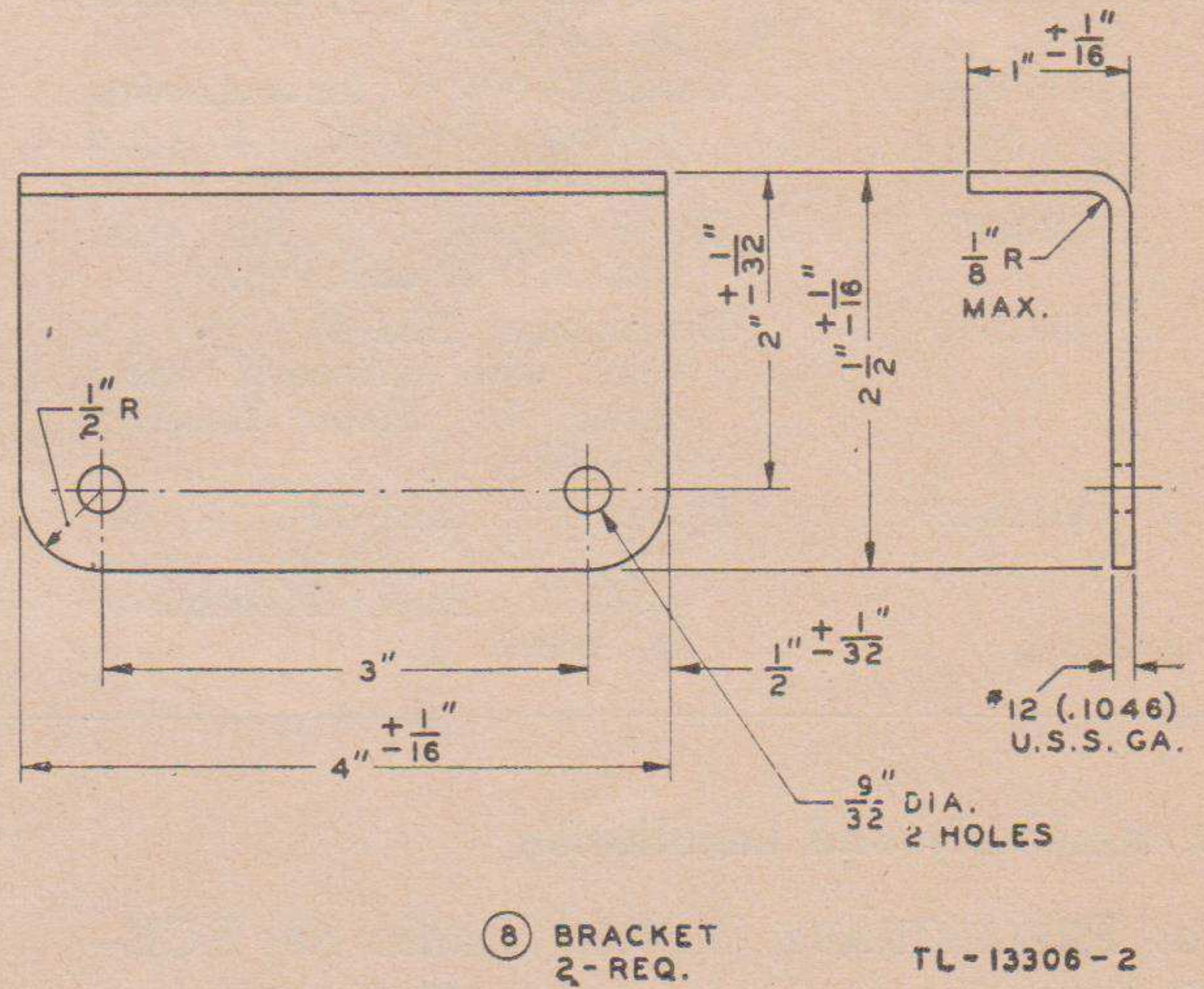
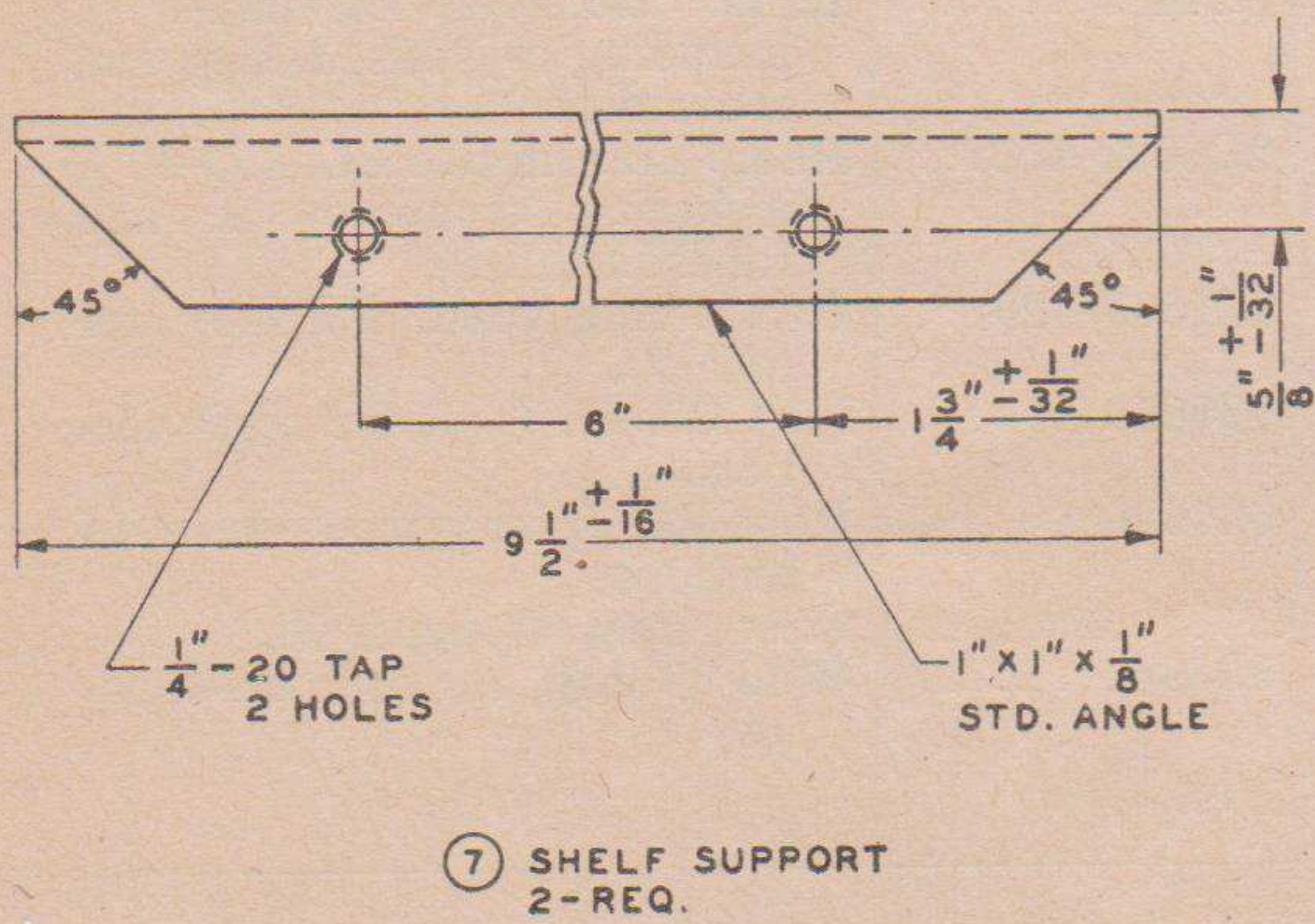
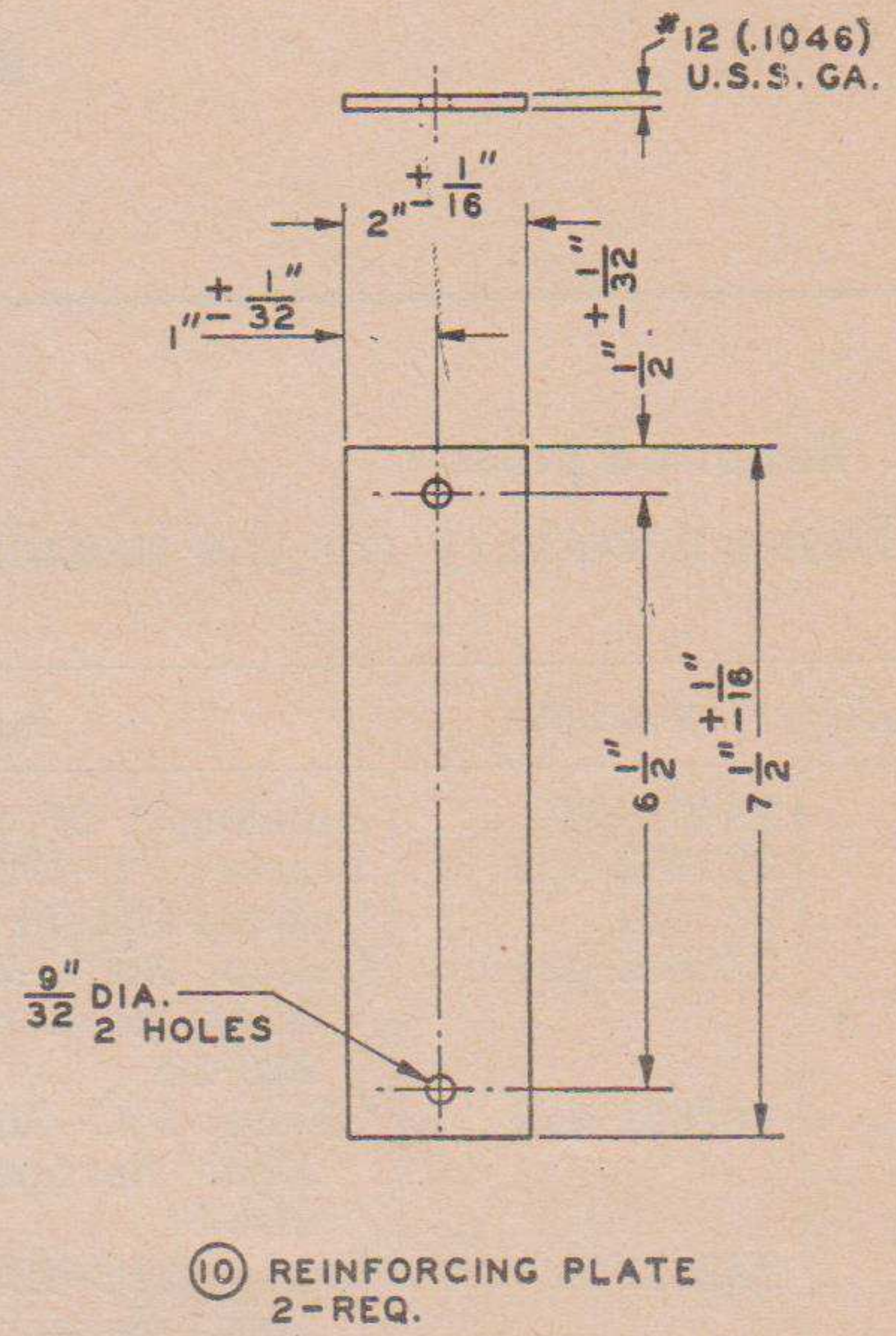
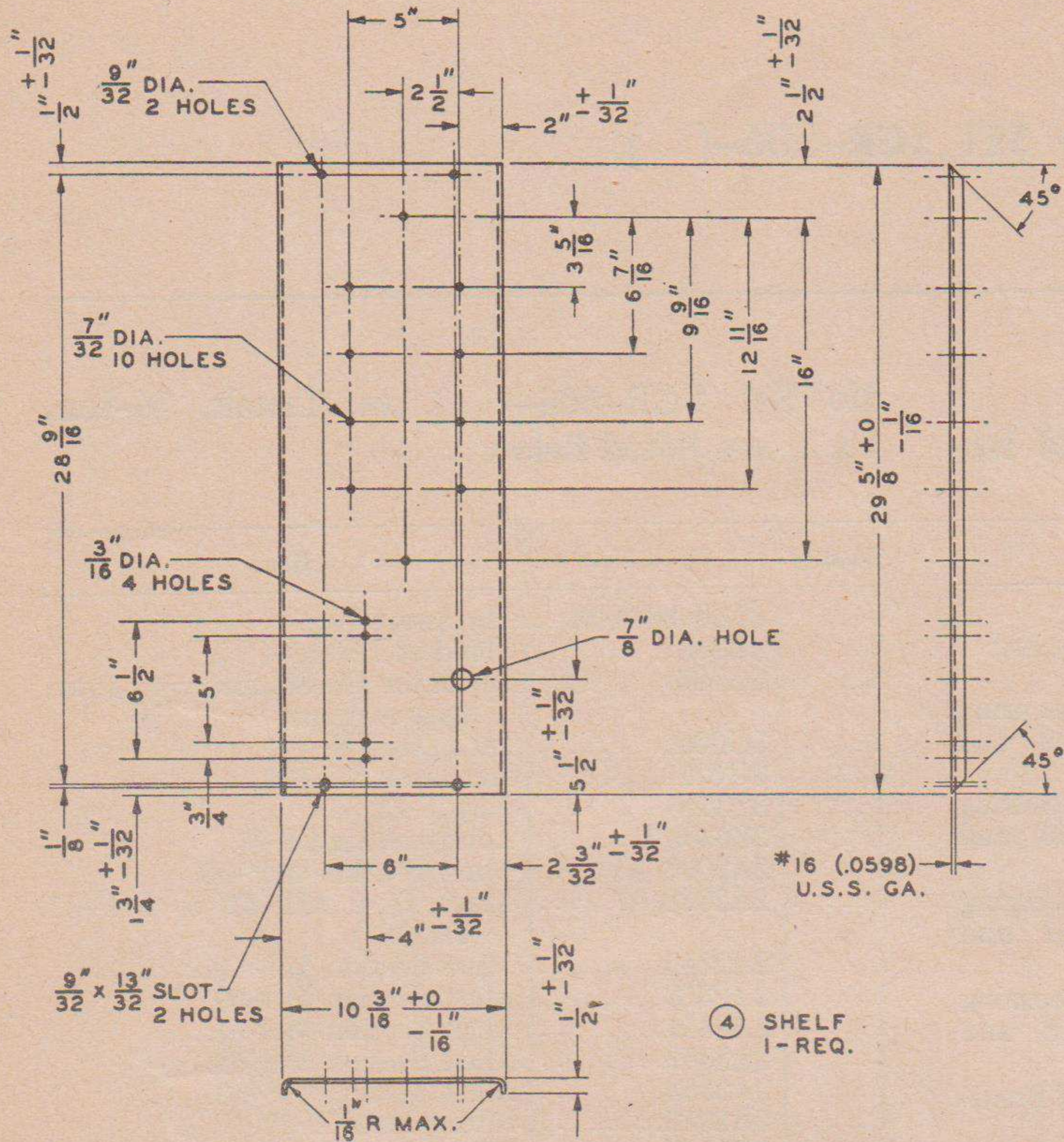


Figure 14—Continued

SECTION V

RADIO SET SCR-506-()

12. Required parts

Items necessary for the installation of Ra-

dio Set SCR-506-() in Truck, 1/4-ton, 4 x 4, are listed below:

Quan'ty	Stock No.	Item	Quan'ty	Stock No.	Item
1	2A275-27	Antenna A-27, phantom.	1	6L50-506V26	Hardware bag.
1	2Z1203-422	Bracket FT-422, brush guard.	2	2B830	Headset HS-30-().
1	2Z1574	Cabinet CH-74-().	3	3G586	Insulator IN-86, for tying down mast sections.
1	2Z2651-421	Clamp MC-421, for securing Mast Sections MS-49 and MS-50.	3	3G604	Insulator IN-104.
1	2Z2651-422	Clamp MC-422, for securing Mast Sections MS-50 and MS-51.	3	3G621	Insulator IN-121.
1	2Z2651-423	Clamp MC-423, for securing Mast Sections MS-51 and MS-52.	1	3Z3445	Key J-45.
1	2Z2651-424	Clamp MC-424, for securing Mast Sections MS-52 and MS-53.	1	2Z6303.1	Loudspeaker LS-3.
2	6Z3147	Connector No. 61007 and Bond-nut BL-50 (Appleton).	1	2A2090-50	Mast Bracket MP-50.
2	3E1307A-5.5	Cord CD-307-A, 65", for Headset HS-30-().	1	2A2088-57	Mast Base MP-57 or MP-37 (2A2087).
1	3E1314	Cord CD-314, for Loudspeaker LS-3.	1	2A2349	Mast Section MS-49.
1	3E1318	Cord CD-318-(), for Microphone T-45.	1	2A2350	Mast Section MS-50.
2	3E1604	Cord CD-604, 6", for connecting Headset HS-30-() to Cord CD-307-A.	1	2A2351	Mast Section MS-51.
1	2Z3367	Cover BG-67-() for Mast Base MP-57 or MP-37.	1	2A2352	Mast Section MS-52.
1	3H1640	Dynamotor DM-40-(), 12-volt, with attached spare parts, for Radio Receiver BC-652-().	1	2A2353	Mast Section MS-53.
1	3H1642	Dynamotor DM-42-(), 12-volt, with attached spare parts, for Radio Transmitter BC-653-().	1	2B1617	Microphone T-17-().
			1	2B1645	Microphone T-45.
			1	2Z6721-253	Mounting FT-253-(), including two Cord CO-280, fuses, and hardware.
			1	2Z6721-285	Mounting FT-285-().
			1	2C4452	Radio Receiver BC-652-(), including crystals, tubes, and spare parts.
			1	2C6530-653	Radio Transmitter BC-653-(), including spare parts and tubes installed.
			2	2Z7069-429	Reinforcing plate FT-429, for MP-50.
			1	2Z8056	Roll BG-56-(), for mast section.
			50 ft.	6Z7926	Rope RP-5, for tying down mast sections.
			2		Strap, item 50, figure 24.
			10 ft.	1B146	Wire W-146, for antenna leads.

13. Assembly and Installation

a. PRELIMINARY CHECK. Radio Set SCR-506-() may be installed in Truck, 1/4-ton, 4 x 4, with either of the following 12-volt conversion kits. Check to see that the conversion has been made before beginning installation.

(1) Under-the-hood conversion kit in which all 6-volt electrical components of the vehicle are replaced by 12-volt components.

Two 6-volt storage batteries, one originally furnished with the truck, and one supplied with the conversion kit, are installed between the front seats to furnish, in series, 12-volt power supply for both the radio set and the vehicular system.

(2) Power-take-off conversion kit in which a 12-volt generator and regulator is mounted over the transmission of the vehicle to be driven by a belt and pulley operated off the shaft of the transmission. Two 6-volt storage

batteries are supplied with the conversion kit and are installed one behind each front seat. These two batteries, in series, furnish 12-volt power for operation of the set inde-

pendently of the 6-volt system of the vehicle.

b. PROCEDURE. Components of the radio set should be installed as shown in figure 24 and as directed below.

Part and Location

Mounting FT-285-() and Loudspeaker LS-3, on floor of vehicle, rear.

Cabinet CH-74-(), on Mounting FT-285-().

Method and Materials

Remove the rear seat from the vehicle. Figure 23 shows assembly and details of the mounting. Refer to figure 24 for drilling details and drill the floor, rear and left wall of the vehicle. Drill Loudspeaker LS-3 and Mounting FT-285-() as shown in figure 24. Install Mounting FT-285-() and secure in position with the provided hardware. Reinforce the mounting with the strap (item 50) as shown in figure 24. Fasten the loudspeaker to the mounting with the hardware provided.

Drill Cabinet CH-74-() for installation of the insulators as shown in detail in figure 24. Place the cabinet on the mounting and secure with the hardware provided.

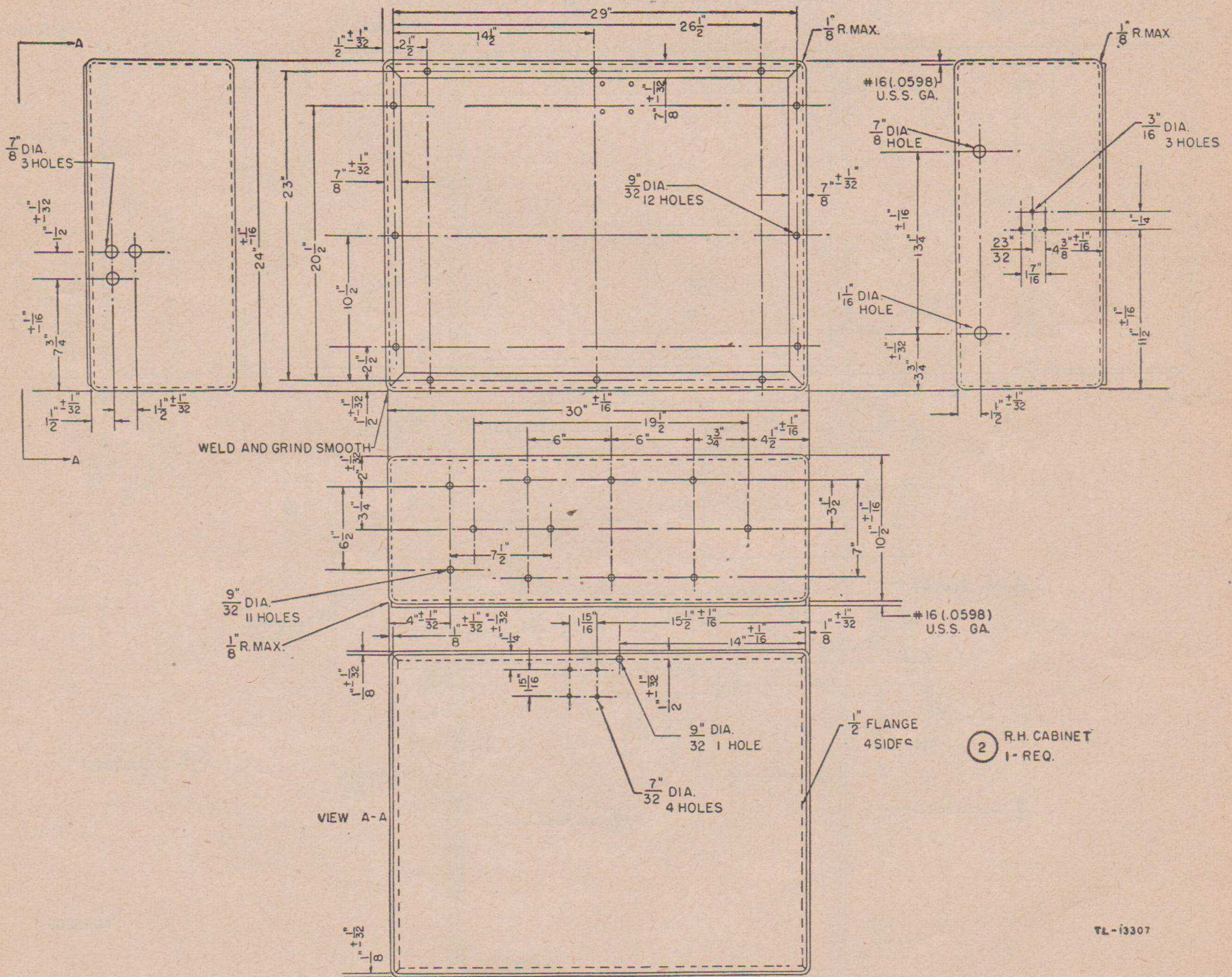


Figure 15. Installation Kit MC-515, right-hand cabinet details.

Mounting FT-253-() in Cabinet
CH-74-().

Fasten to the floor of the cabinet with the hardware provided. Route the two Power Cords CO-280 to the vehicle terminal box, and secure with clamps as shown in figure 24. Use the connectors and bond-nuts to bush the power cord at the knockout hole of the terminal box.

Mast Bracket MP-50, Bracket FT-422, and Reinforcing Plate FT-429, on the left side of the vehicle, at rear.

Mount the brackets and reinforcing plates and secure with the hardware provided.

Mast Base MP-57 or MP-37 on Mast Bracket MP-50

Refer to figure 7 or 8 and assemble the mast base as follows: Place item 1 over the hole in the mast bracket. Place item 2 over item 1. Place item 3 over item 2. Insert item 4 through the hole in the mast bracket. Place item 5 over the flange of item 6. Insert item 6 upward through the hole in the mast bracket. Place items 7 and 8 beneath item 6 and fasten entire assembly in place with items 9 and 10.

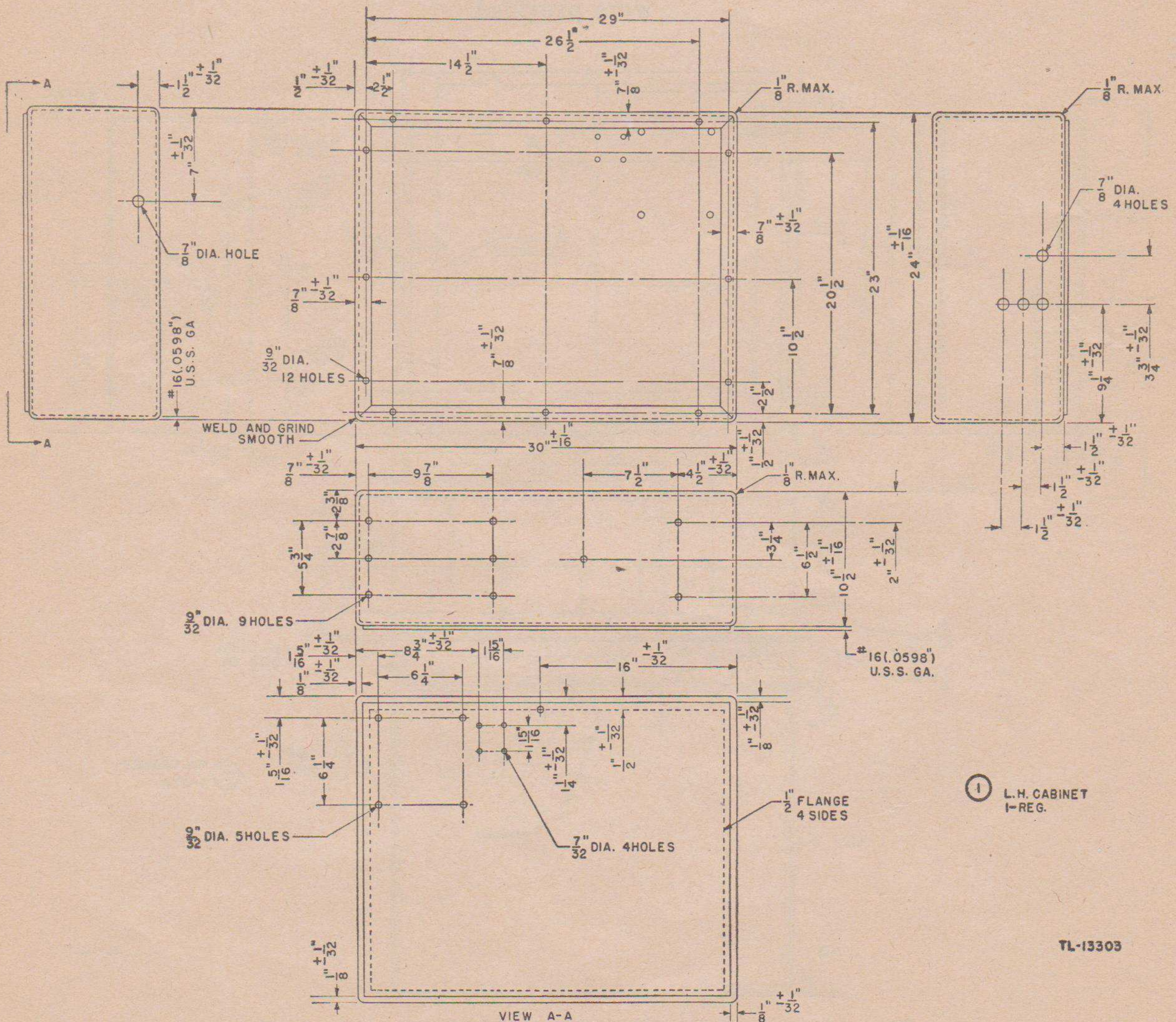


Figure 16. Installation Kit MC-515, left-hand cabinet details.

Part and Location

Mast Sections MS-49 to MS-53 and Clamps MC-421 to MC-424, on Mast Base MP-57 or MP-37.

Cover BG-67-().

Insulators IN-104 and IN-121, on Cabinet CH-74-() and left side of the vehicle.

Radio Transmitter BC-653-() and

Dynamotor DM-42-(), on Mounting FT-253-().

Radio Receiver BC-652-() and Dynamotor DM-40-(), on Mounting FT-253-().

Wire W-146.

c. CORDING AND WIRING. (1) Cord and wire Radio Set SCR-506-() as shown in figure 24. Connect and secure so as not to interfere with the accessibility and operation of the equipment. Enough slack must be left to permit free movement of all units having shock mounting. Cording or cable likely to rub against sharp edges should be taped with

Method and Materials

Screw the mast sections together and secure with the clamps. Fasten the clamps to the male end of the mast sections. Then screw the mast antenna into the mast base. When not in use, carry the mast sections in Roll BG-56-().

Place over the mast base when the mast sections are not in use.

Install with the hardware provided as shown in figure 24.

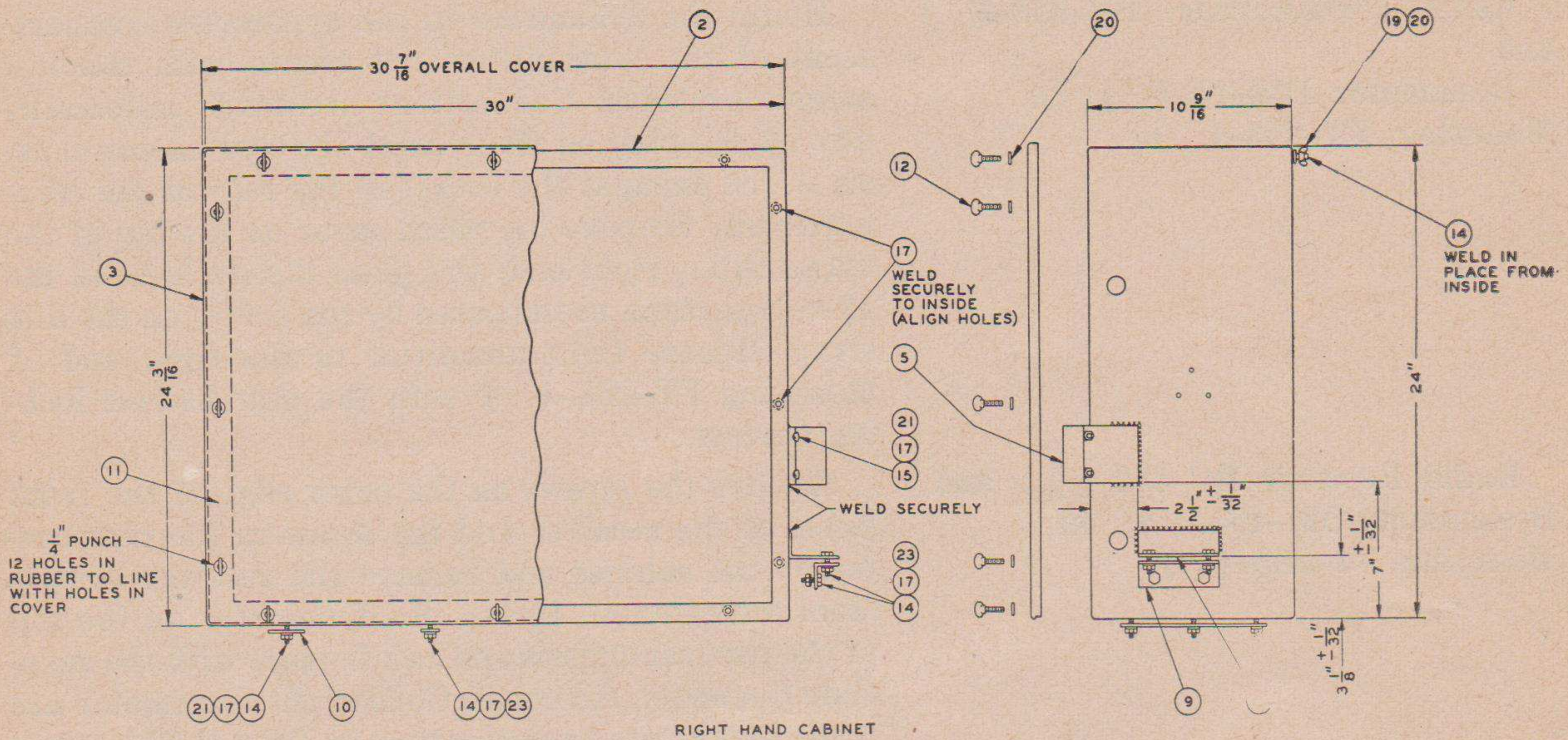
Mount the dynamotor in the dynamotor compartment of the transmitter and secure with the five screws provided. Connections are made automatically by the plug on the rear of the dynamotor chassis which engages the socket in the rear of the compartment. Remove the patch cover on the top of the transmitter, right end, and place the six links in the 12-volt position as indicated by the arrow on the link strap. Secure the transmitter to the right end of Mounting FT-253-() with the thumbscrew locking devices.

Remove the screws on the outer edge of the front panel of the receiver and the screw in the rear center of the cabinet and remove the receiver chassis from the cabinet. Install the dynamotor on the top of the receiver chassis and lock in place with the snap-slide fasteners. All connections to the dynamotor are made by the cord terminating in Plug P-250, when placed in the socket on the receiver chassis. The nameplate on the front panel of the receiver should be turned to read 12-volt operation. Secure the receiver to the mounting with the thumbscrew locking devices.

Cut Wire W-146 to required length and solder-tin ends. Connect to the terminal on the mast base, pass through Insulators IN-121 and IN-104, and connect to the antenna terminal of the radio transmitter.

at least two layers to prevent damage. Solder-tin all wire ends.

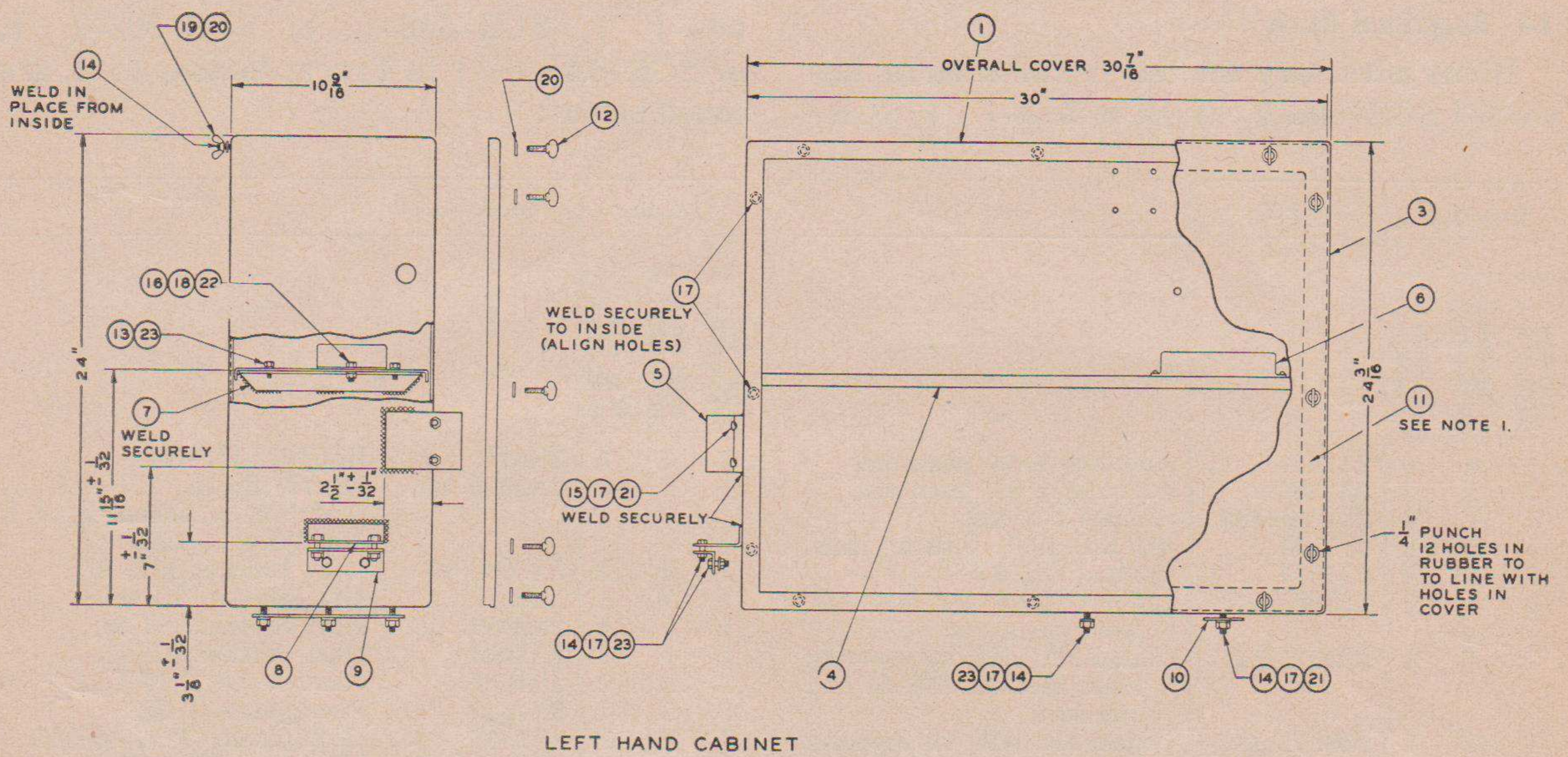
(2) To prevent accidental shorts of the battery, do not connect the positive 12-volt and negative 12-volt leads (in the terminal box) until all other connections have been completed.



ITEM NO.	NAME OF ITEM	QUAN. REQ.	REMARKS	ITEM NO.	NAME OF ITEM	QUAN. REQ.	REMARKS
1	LEFT HAND CABINET	1	SEE FIG. 16	13	HEX. HEAD MACH. SCREW	4	1/4"-20 X 1/2" LONG
2	RIGHT HAND CABINET	1	SEE FIG. 15	14	HEX. HEAD MACH. SCREW	16	1/4"-20 X 3/4" LONG
3	COVER	2	SEE FIG. 14	15	ROUND HEAD MACH. SCREW	4	1/4"-20 X 1/2" LONG
4	SHELF	1	SEE FIG. 14	16	ROUND HEAD MACH. SCREW	2	#8-32 X 1/2" LONG
5	BRACKET	2	SEE FIG. 14	17	HEX NUT	42	1/4"-20 STD.
6	COVER	1	SEE FIG. 14	18	HEX NUT	2	#8-32 STD.
7	SHELF SUPPORT	2	SEE FIG. 14	19	WING NUT	2	1/4"-20 STD.
8	BRACKET	2	SEE FIG. 14	20	WASHER	26	S.A.E. STD. FOR 1/4" SCREW
9	BRACKET	2	SEE FIG. 14	21	LOCKWASHER	8	S.A.E. REG. FOR 1/4" SCREW
10	REINFORCING PLATE	2	SEE FIG. 14	22	LOCKWASHER	2	S.A.E. REG. FOR #8 SCREW
11	STRIPPING	AS REQ.	RUBBER	23	LOCKWASHER	24	1/4" I.E.T.
12	THUMB SCREW	24	1/4"-20 X 1" LONG				

TL-13308-1

Figure 17. Installation Kit MC-515, assembly.



- NOTES
1. (11) 1/2" X 1 1/4" SYNTHETIC RUBBER STRIPPING SECURELY CEMENTED TO (3) WITH ELASTIC CEMENT.
 2. (23) WHERE SHOWN WITH (14) IS PLACED UNDER HEAD OF SCREW AND UNDER NUT.

TL-13308

Figure 17—Continued

SECTION VI

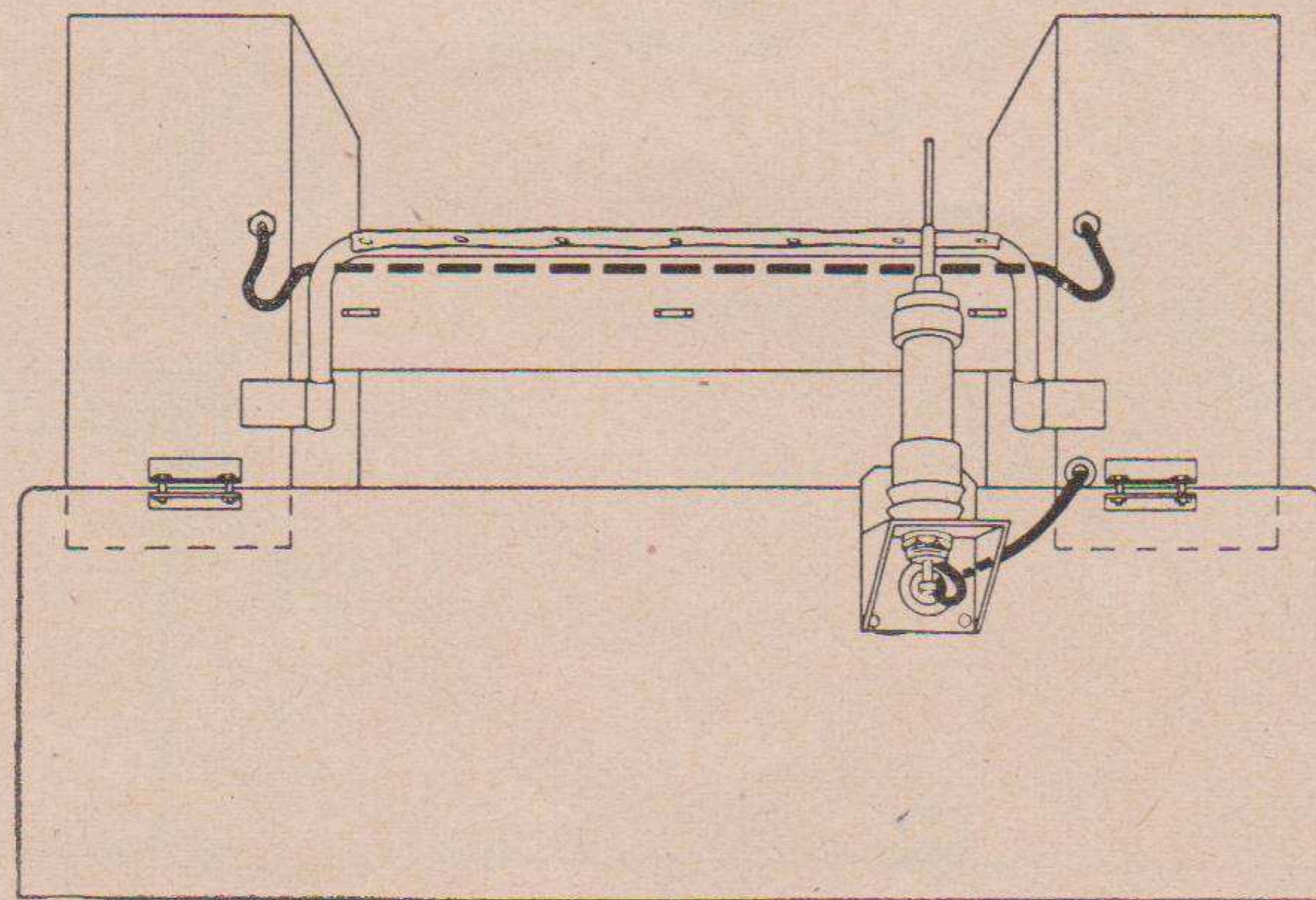
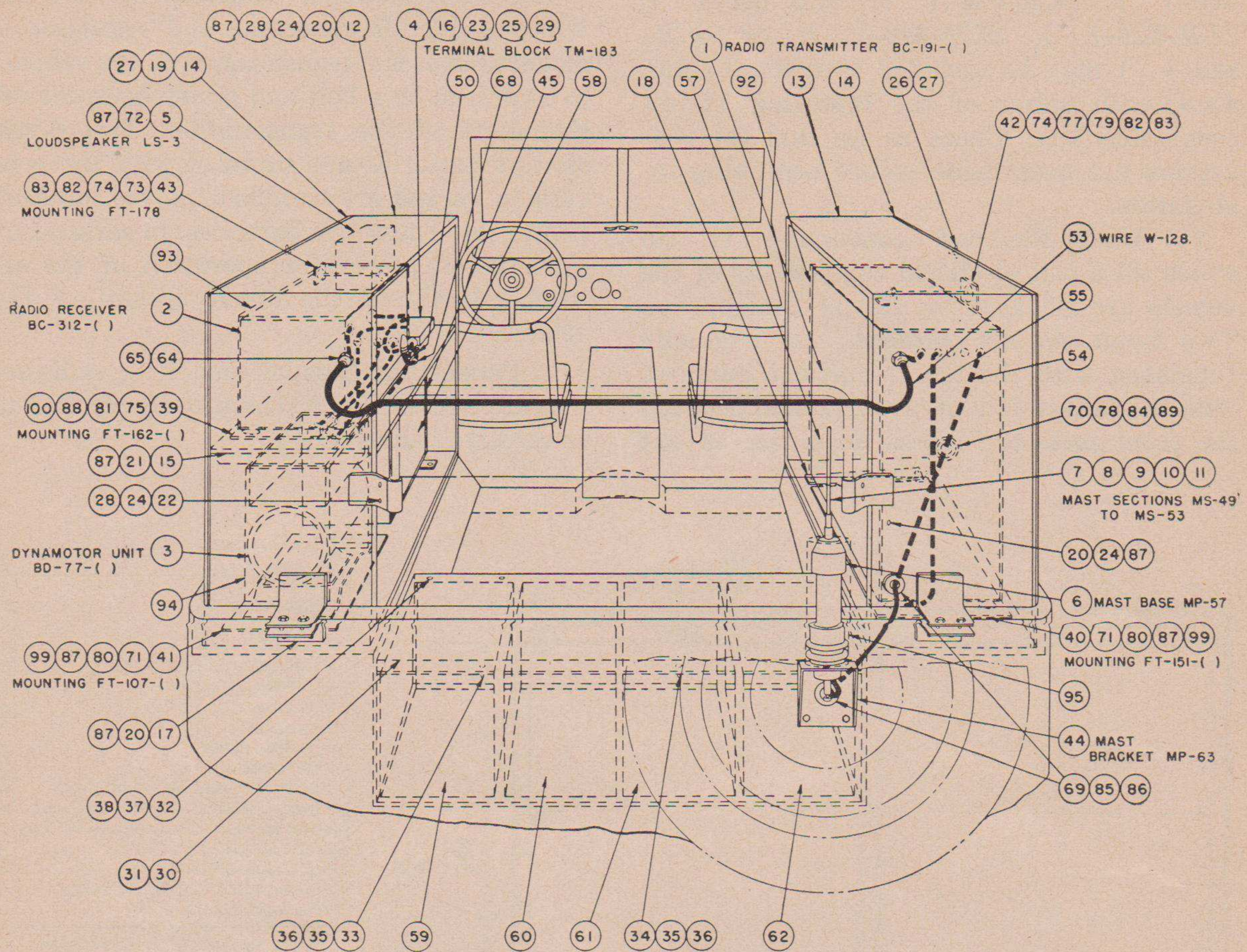
RADIO SET SCR-508-(), SCR-528-(), SCR-608-(), SCR-628-(),
SCR-808-(), OR SCR-828-().

14. Required Parts

Items necessary for the installation of Radio Set SCR-508-(), SCR-528-(), SCR-

608-(), SCR-628-(), SCR-808-(), or SCR-828-() in Truck, 1/4-ton, 4 x 4, are listed below:

Quantity	Stock No.	Item	Quantity	Stock No.	Item
SCR-508-() SCR-528-()			SCR-508-() SCR-528-()		
1 0 0	2A262.....	Antenna A-62, phantom.	3 3 3	3G621.....	Insulator IN-121.
0 1 1	2A283.....	Antenna A-83, phantom.	1 1 1	2A2088-48...	Mast Base MP-48 or MP-48-A, including 6 ft of Wire W-128.
1 1 1	2Z1203-422..	Bracket FT-422.			
0 1 0	2Z1140.....	Box BX-40-(), for crystals.			
1 1 1	2Z1574.....	Cabinet CH-74-().	1 1 1	2A2090-50...	Mast Bracket MP-50.
0 1 1	6F796.....	Chest CH-96, for headsets, spare parts, etc.	1 1 1	2A2351.....	Mast Section MS-51.
1 1 1	2Z2651-423..	Clamp MC-423, for securing Mast Sections MS-51 and MS-52.	1 1 1	2A2352.....	Mast Section MS-52.
1 1 1	2Z2651-424..	Clamp MC-424, for securing Mast Sections MS-52 and MS-53.	1 1 1	2A2353.....	Mast Section MS-53.
1 1 1	6Z3147.....	Connector No. 61007 and Bondnut BL-50 (Appleton).	1 1 1	2B1617.....	Microphone T-17-().
2 2 2	3E1307A-5.5.	Cord CD-307-A, 65", for Headset HS-30-().	1 1 1	2B1645.....	Microphone T-45.
1 1 1	3E1318.....	Cord CD-318-(), for Microphone T-45.	2 2 2	2B1567.....	Microphone Cover M-367.
2 2 2	3E1604.....	Cord CD-604, 6", for connecting Headset HS-30-() to Cord CD-307-A.	1 1 1	2Z6721-237..	Mounting FT-237-(), including Cord CO-278 and necessary hardware for mounting.
1 1 1	2Z3396.....	Cover BG-96-(), for radio set.	1 1 1	2Z6721-285..	Mounting FT-285-(), including hardware for mounting.
0 0 1	2Z3398.....	Cover BG-98-(), for radio set.	2 0 0	2C4403.....	Radio Receiver BC-603-(), includes set of installed tubes and spare fuses and lamps (one only required for SCR-528-()).
1 1 1	2Z3400-108..	Cover BG-108, for mast base.	1 0 0	2C6494.....	Radio Transmitter BC-604-(), includes installed tubes and necessary crystals.
2 2 0	3H1634.....	Dynamotor DM-34-(), 12-volt, including attached spare parts. (Only one required for Radio Set SCR-528-() or SCR-628-().)	0 2 0	2C4460-683..	Radio Receiver BC-683-(), including tubes, fuses and lamps (one only required for SCR-628-()).
1 1 0	3H1635.....	Dynamotor DM-35-(), 12-volt, including attached spare parts.	0 1 0	2C6530-684..	Radio Transmitter BC-684-(), including tubes and necessary crystals.
0 0 2	3H1664.....	Dynamotor DM-64-(), 12-volt, including attached spare parts. (Only one required for SCR-828-().)	0 0 2	2C4923.....	Radio Receiver BC-923-(), including tubes, fuses, and lamps (one only required for SCR-828-()).
0 0 1	3H1665.....	Dynamotor DM-65-(), 12-volt, including attached spare parts.	0 0 1	2C6596-924..	Radio Transmitter BC-924-(), including tubes and necessary crystals.
1 1 1	6L50-508V26	Hardware bag.	2 2 2	2Z7069-429..	Reinforcing Plate FT-429.
2 2 2	2B830.....	Headset HS-30-().	1 1 1	2Z8056.....	Roll BG-56-(), for antenna mast sections.
			2 2 2	Strap (item 45, fig. 25).



VIEW OF REAR OF VEHICLE
SHOWING RELOCATION OF REAR
SEAT BACK REST
(SPARE WHEEL NOT SHOWN)

TL-12445-1

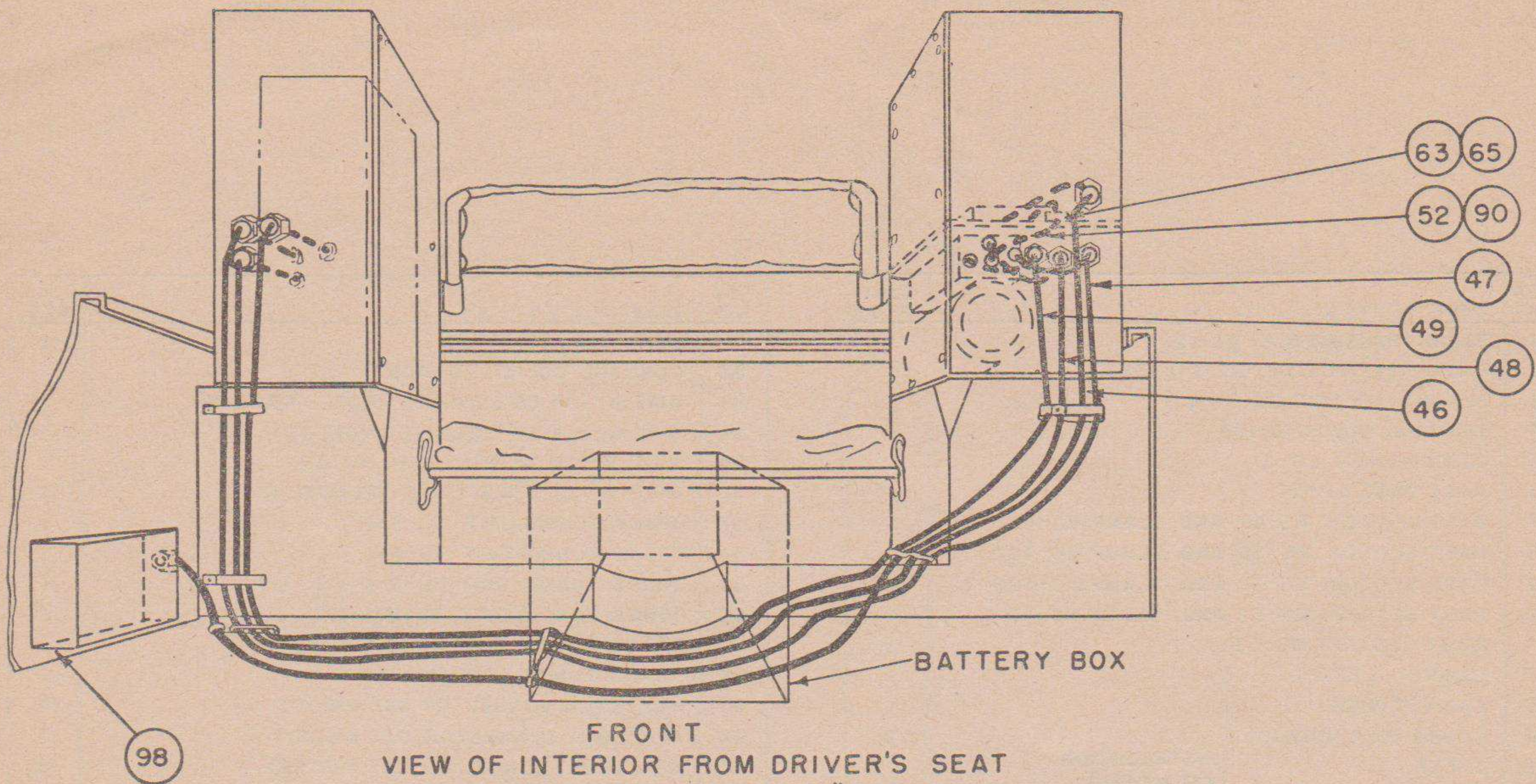
Figure 19. Installation of Radio Set SCR-193-KW (waterproof) in Truck, 1/4-ton, 4x4 (front and rear views and details).

ITEM NO.	NAME OF ITEM	QUAN REQ
1	RADIO TRANSMITTER BC-191-()	1
2	RADIO RECEIVER BC-312-() (SEE NOTE 20)	1
3	DYNAMOTOR UNIT BD-77-()	1
4	TERMINAL BLOCK TM-183	1
5	LOUDSPEAKER LS-3	1
6	MAST BASE MP-57	1
7	MAST SECTION MS-49 AND CLAMP MC-421	1
8	MAST SECTION MS-50 AND CLAMP MC-422	1
9	MAST SECTION MS-51 AND CLAMP MC-423	1
10	MAST SECTION MS-52 AND CLAMP MC-424	1
11	MAST SECTION MS-53	1
12	CABINET, LEFT	1
13	CABINET, RIGHT	1
14	COVER (SEE NOTE 10)	2
15	SHELF	1
16	COVER	1
17	BRACKET	2
18	REINFORCING PLATE	2
19	THUMB SCREW 1/4"-20 X 1" LONG	24
20	HEX. HD. MACH. SCREW 1/4"-20 X 3/4" LONG	16
21	HEX. HD. MACH. SCREW 1/4"-20 X 1/2" LONG	4
22	RD. HD. MACH. SCREW 1/4"-20 X 1/2" LONG	4
23	RD. HD. MACH. SCREW #8-32 X 3/4" LONG	2
24	HEX. NUT 1/4"-20 ST'D.	20
25	HEX. NUT #8-32 ST'D.	2
26	WING NUT 1/4"-20 ST'D.	2
27	PLAIN WASHER S.A.E. ST'D. FOR 1/4" SCREW	26
28	LOCKWASHER S.A.E. REG. FOR 1/4" SCREW	8
29	LOCKWASHER S.A.E. REG. FOR #8 SCREW	2
30	CHEST CH-239 (SEE NOTE 8)	1
31	COVER	1
32	KNURLED SCREW 1/4"-20 X 3/4" LONG	12
33	HEX. HD. MACH. SCREW 1/4"-20 X 1" LONG	2
34	HEX. HD. MACH. SCREW 1/4"-20 X 3/4" LONG	2
35	HEX. NUT 1/4"-20 ST'D.	4
36	SHAKEPROOF WASHER 1/4" ST'D.	8
37	PLAIN WASHER S.A.E. ST'D. FOR 1/4" SCREW	12
38	RUBBER WASHER	12
39	MOUNTING FT-162	1
40	MOUNTING FT-151-()	1
41	MOUNTING FT-107-()	1
42	MOUNTING FT-172	1
43	MOUNTING FT-178	1
44	MAST BRACKET MP-63	1
45	CASE CS-48	1
46	CORD CD-1171 10'-6" LONG	1
47	CORD CD-1172 12' LONG	1
48	CORD CD-1173 10' LONG	1
49	CORD CD-175 12' LONG	1
50	CORD CD-270 18" LONG	1

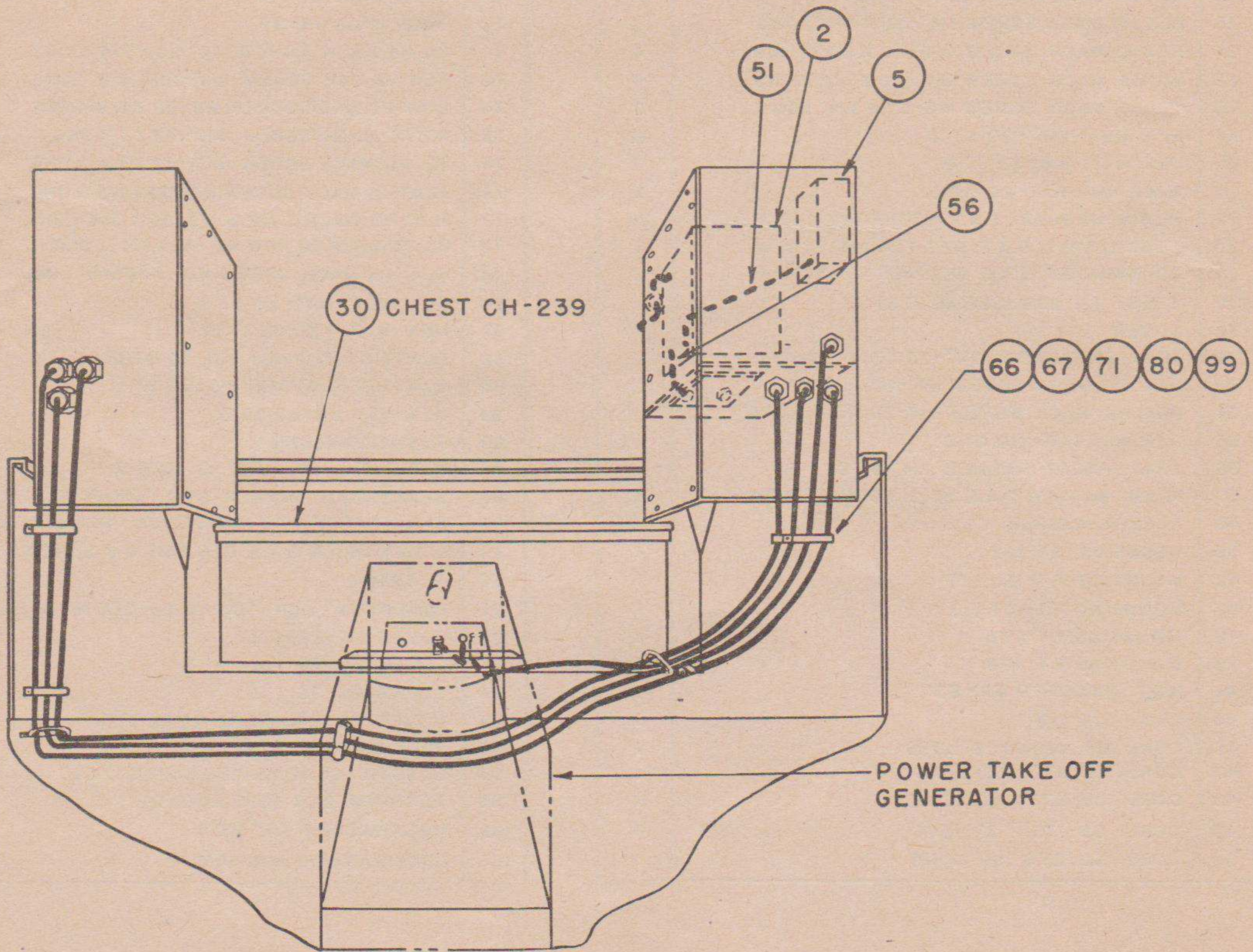
ITEM NO.	NAME OF ITEM	QUAN REQ
51	CORD CD-265	1
52	CORDAGE CO-131 29" REQ.	1
53	WIRE W-128 55" LONG (SEE NOTES 4 AND 19)	1
54	WIRE W-128 33" LONG (SEE NOTE 3)	1
55	WIRE W-128 25" LONG (SEE NOTE 4)	1
56	WIRE W-128 5-1/2" LONG (SEE NOTE 4)	1
57	TRANS. TUNING UNIT TU-5-()	1
58	TRANS. TUNING UNIT TU-6-()	1
59	TRANS. TUNING UNIT TU-7-()	1
60	TRANS. TUNING UNIT TU-8-()	1
61	TRANS. TUNING UNIT TU-9-()	1
62	TRANS. TUNING UNIT TU-10-()	1
63	APPLETON CONNECTOR CAT. #61007	8
64	APPLETON CONNECTOR CAT. #61004	2
65	APPLETON BOND NUT CAT. #BL-50	10
66	CLAMP #10	6
67	CLAMP #5	4
68	CLAMP #4 (SEE NOTE 17)	1
69	INSULATOR IN-121	2
70	INSULATOR IN-98	1
71	RD. HD. MACH. SCREW 1/4"-20 X 3/4" LONG	19
72	HEX. HD. CAP SCREW 1/4"-20 X 5/8" LONG	4
73	BIND. HD. MACH. SCREW #8-32 X 5/8" LONG	4
74	RD. HD. MACH. SCREW #10-32 X 1" LONG	8
75	RD. HD. MACH. SCREW #10-32 X 3/4" LONG	10
76	FLAT HD. MACH. SCREW #10-32 X 1/2" LONG	6
77	FLAT HD. MACH. SCREW #8-32 X 3/4" LONG	4
78	RD. HD. MACH. SCREW #8-32 X 3/4" LONG	3
79	FLAT HD. MACH. SCREW #8-32 X 5/8" LONG	4
80	HEX. NUT 1/4"-20 ST'D.	19
81	HEX. NUT #10-32 ST'D.	16
82	ELASTIC STOP NUT #10-32 ST'D.	8
83	ELASTIC STOP NUT #8-32 ST'D.	12
84	HEX. NUT #8-32 ST'D.	3
85	RUBBER WASHER	2
86	PLAIN WASHER 1-1/8" I.D. - 2" O.D.	1
87	SHAKEPROOF WASHER ST'D FOR 1/4" SCREW	36
88	SHAKEPROOF WASHER ST'D FOR #10 SCREW	4
89	LOCKWASHER S.A.E. REG. FOR #8 SCREW	3
90	TERMINAL	2
91	FOOTMAN'S LOOP 1" JAPANNED (SEE NOTE 13)	3
92	COVER BG-78-()	1
93	COVER BG-75-()	1
94	COVER BG-79-()	1
95	COVER BG-67-() (SEE NOTE 5)	1
96	ROLL BG-56-()	1
97	ELASTIC CEMENT (SEE NOTES 11 AND 14)	1
98	TERMINAL BOX (SEE NOTE 2)	1
99	LOCKWASHER 1/4" ST'D.	6
100	LOCK WASHER #10 ST'D.	14

TL-12445-2

Figure 19—Continued



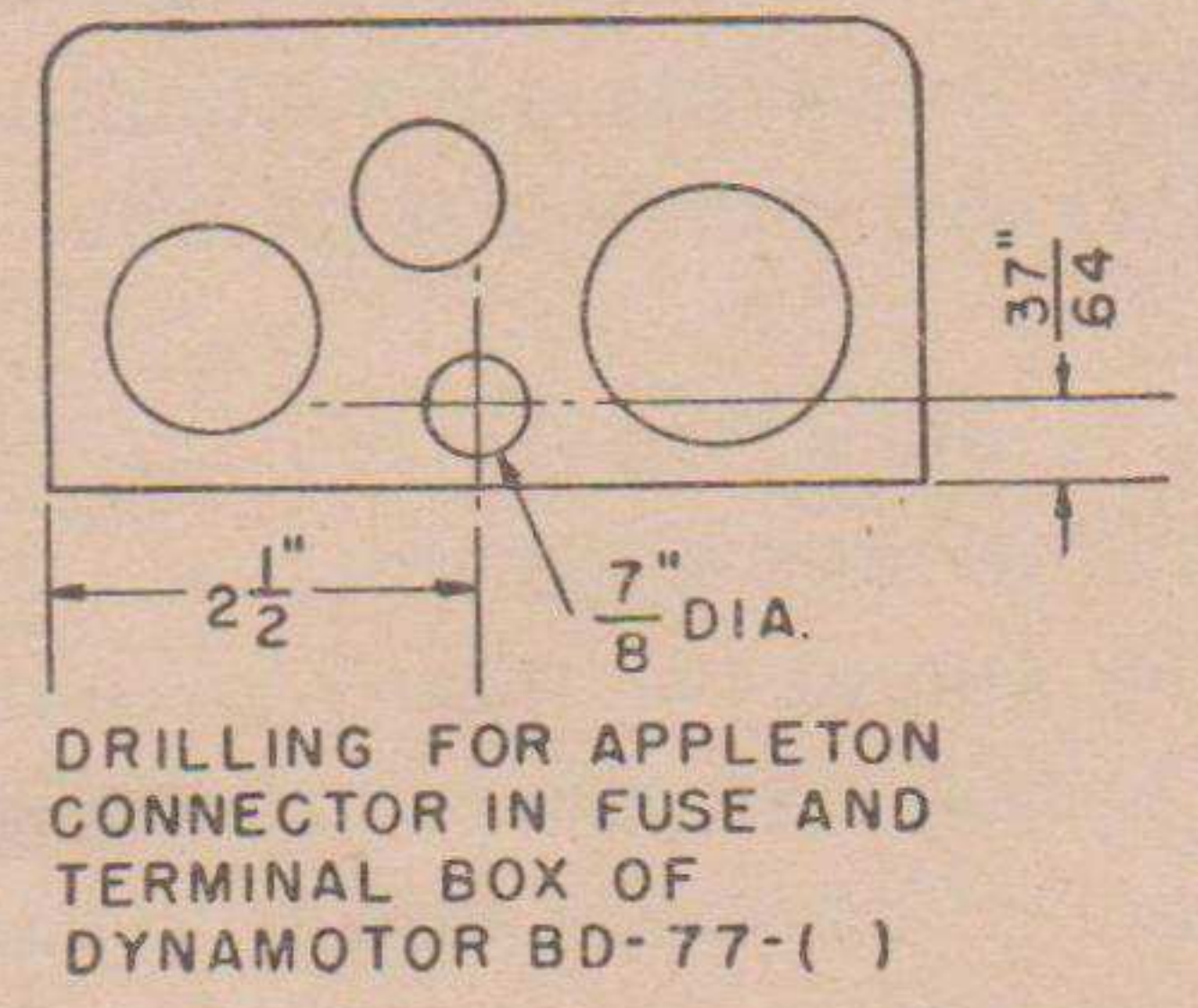
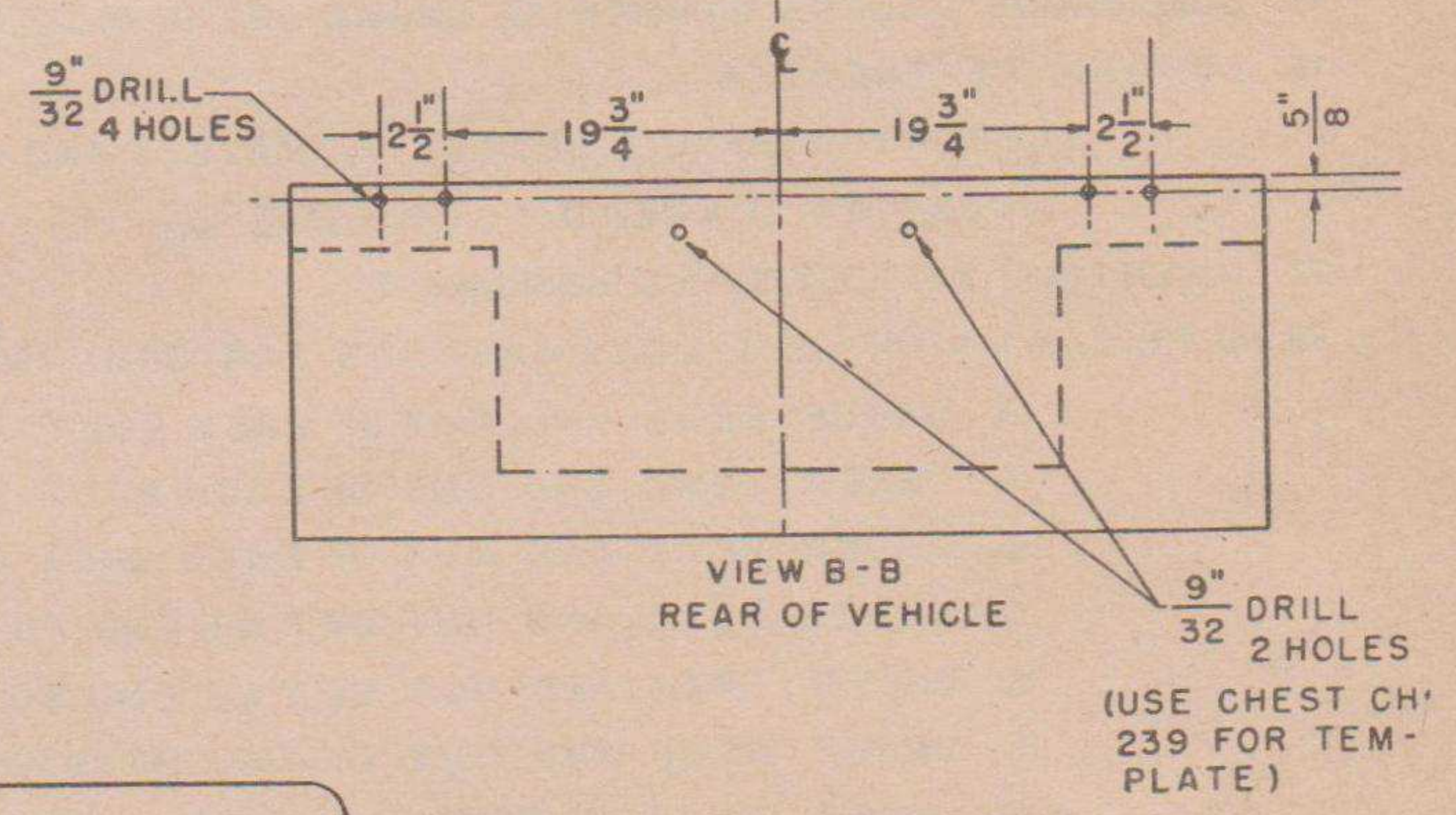
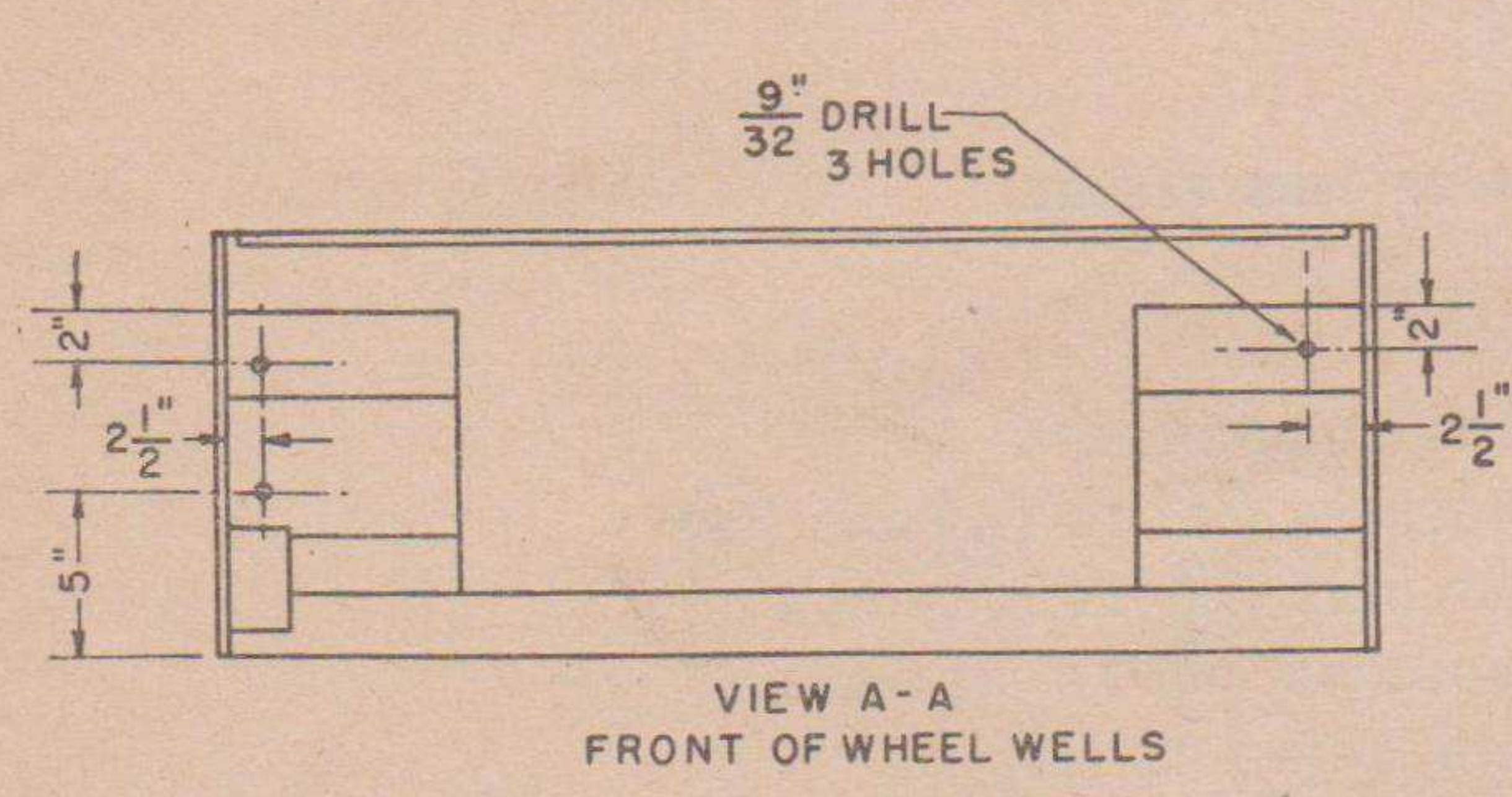
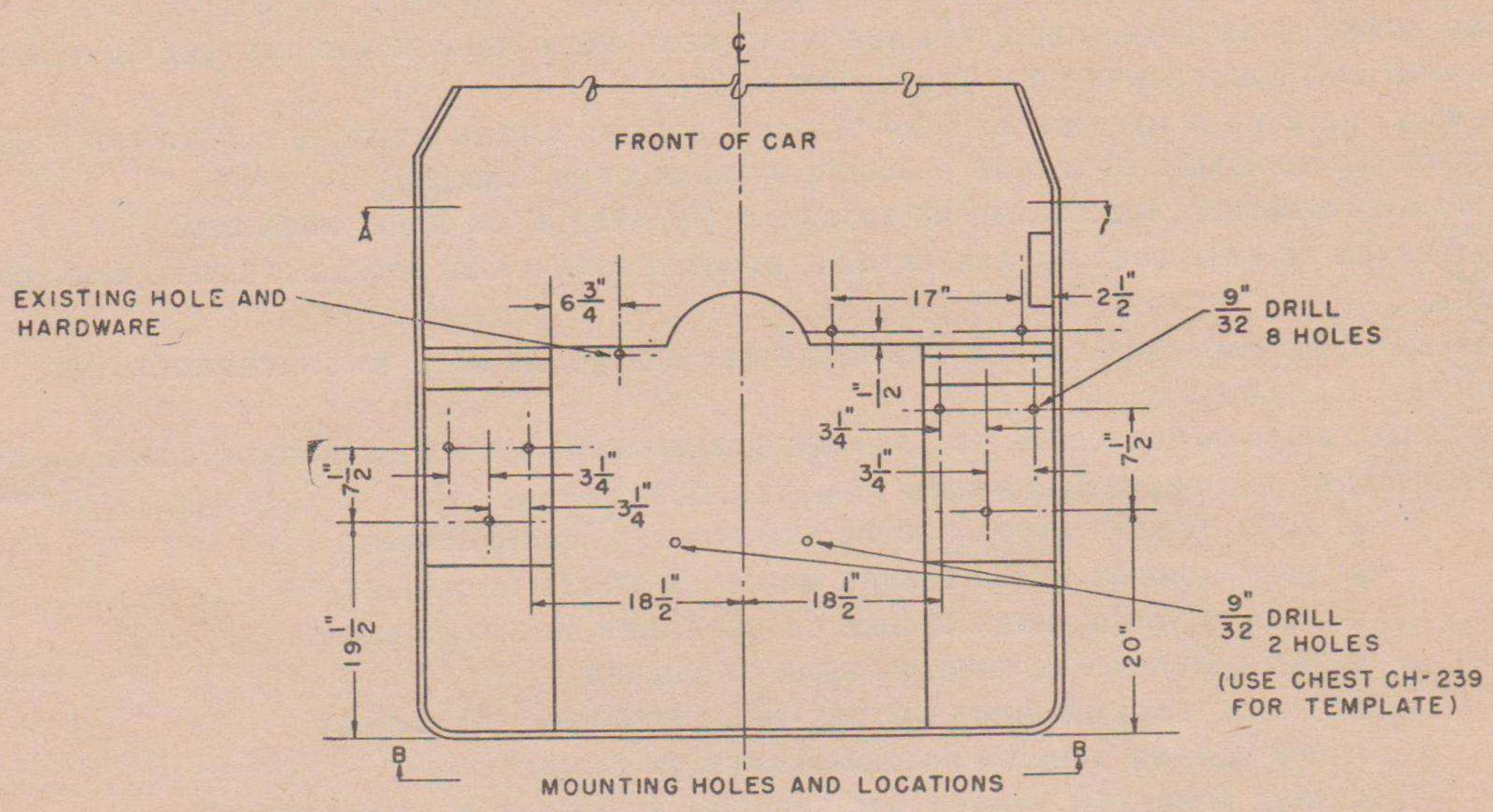
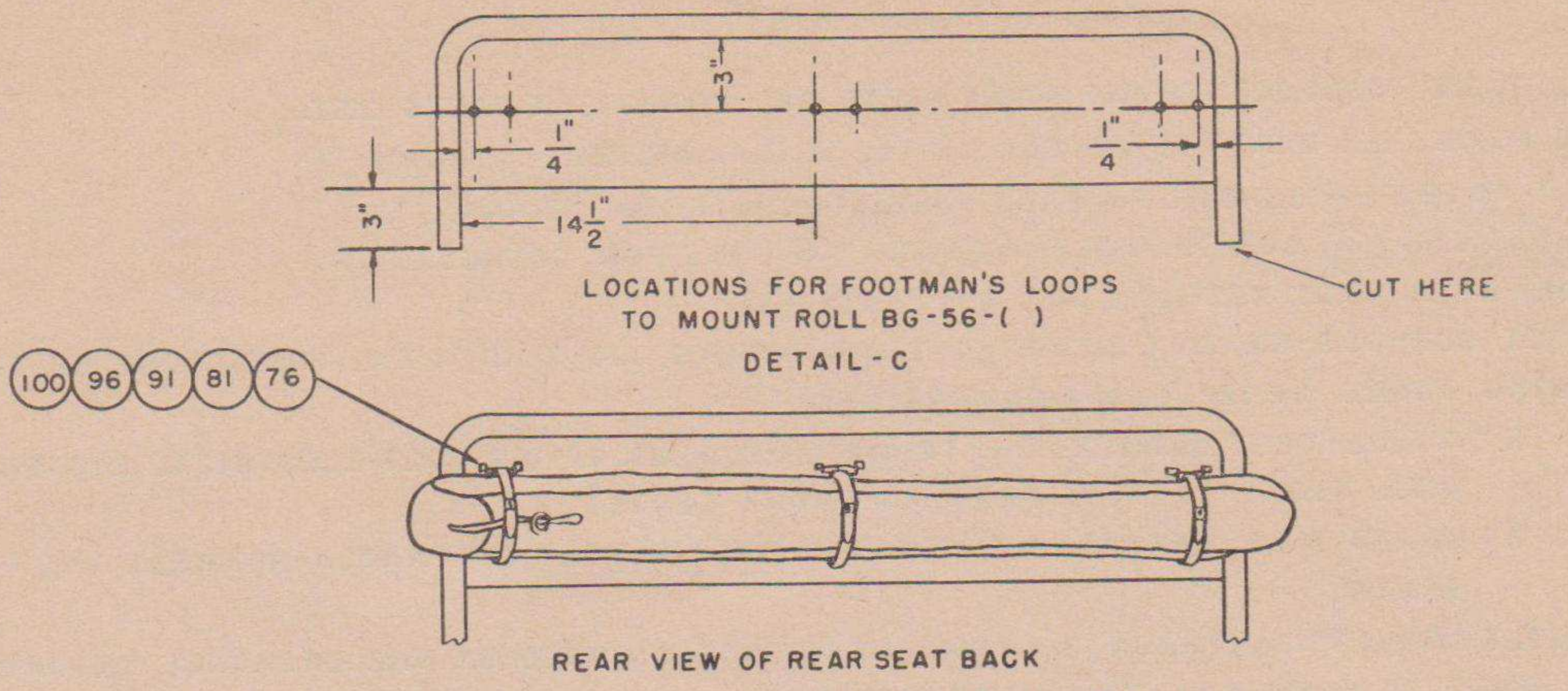
FRONT
 VIEW OF INTERIOR FROM DRIVER'S SEAT
 IN VEHICLES PROVIDED WITH "KIT, 12-VOLT
 CONVERSION (TRUCK, 1/4 TON, 4 X 4)." STAND-
 ARD REAR SEAT INSTALLED. (SEE NOTES 6 AND 7)



FRONT
 VIEW OF INTERIOR FROM DRIVER'S SEAT IN
 VEHICLE PROVIDED WITH 12-VOLT POWER
 TAKE-OFF, SHOWING CHEST CH-239 INSTALLED.
 (SEE NOTE 6)

TL-12445-3

Figure 19—Continued



TL-12445-4

Figure 19—Continued

NOTE:

1. FOR ADDITIONAL COMPONENTS AND SPARE PARTS SEE COMPONENT PARTS LIST.
2. (98) IS FURNISHED WITH THE VEHICLE BY THE MANUFACTURER.
3. (54) CUT TO PROPER LENGTH. TIN ENDS FOR ANTENNA CONNECTIONS.
4. (53) (55) AND (56) CUT TO PROPER LENGTH. TIN ENDS FOR CONNECTIONS
5. USE (95) WHEN MAST SECTIONS ARE NOT INSTALLED.
6. RADIO SET SCR-193-KW MAY BE INSTALLED IN TRUCKS, 1/4-TON, 4 X 4, HAVING ONE OF THE FOLLOWING TYPES OF 12-VOLT CONVERSIONS:
 - A. "KIT, 12-VOLT CONVERSION (TRUCK, 1/4-TON, 4 X 4)" (12-VOLT ELECTRICAL SYSTEM, WITH TWO BATTERIES BETWEEN FRONT SEATS)
 - B. POWER TAKE-OFF 12-VOLT CONVERSION. (12-VOLT GENERATOR BETWEEN FRONT SEATS).
7. "KIT, 12-VOLT CONVERSION (TRUCK, 1/4-TON, 4 X 4)" IS FURNISHED BY THE ORDNANCE DEPARTMENT.
8. IF THE ISSUE OF AUXILIARY TRANSMITTER TUNING UNITS TU-7-(), TU-8-(), TU-9-() AND TU-10-() IS AUTHORIZED, REMOVE REAR SEAT FROM VEHICLE AND INSTALL AUXILIARY TUNING UNIT CHEST, CHEST CH-239, IN ITS PLACE.
9. REMOVE BACK REST PORTION OF REAR VEHICLE SEAT AS SHOWN IN DETAIL C, PART 4 OF THIS FIGURE, AND REINSTALL IN SLEEVE BRACKETS AT REAR OF (12) AND (13).
10. (14) WHEN REMOVED, ARE STOWED AT OUTSIDE OF (12) AND (13) ON STUDS PROVIDED.
11. (97) SHALL BE #3M, SPEC. EC-226, AS MADE BY MINNESOTA MINING MFG. CO., ST. PAUL, MINN., OR EQUAL.
12. (88) SHALL BE CAT.#1210-1 AND (87) SHALL BE CAT.#1214-1, AS MADE BY SHAKEPROOF, INC., CHICAGO, ILL., OR EQUAL.
13. (91) SHALL BE CAT.#1165 (JAPANNED), AS MADE BY NORTH AND JUDD, NEW BRITAIN, CONN., OR EQUAL.
14. APPLY (97) AT THE FOLLOWING POINTS TO WATERPROOF (12) AND (13):
 - A. FOUR SCREWS WHICH SECURE MOUNTING FT-172 TO CABINET.
 - B. FOUR SCREWS WHICH SECURE MOUNTING FT-178 TO CABINET.
 - C. FOUR SCREWS WHICH SECURE LOUDSPEAKER LS-3 TO CABINET.
 - D. INSULATOR IN-121 THROUGH REAR OF CABINET.
 - E. THREE SCREWS WHICH SECURE INSULATOR IN-98 TO CABINET
 - F. SIX SCREWS THROUGH BOTTOM PLATES OF CABINETS
 - G. NINE APPLETON CONNECTORS THROUGH FRONT AND REAR PLATES OF CABINETS.
15. DIMENSIONS UNLESS OTHERWISE SHOWN ARE IN INCHES.
16. DRAWING REFERENCES :

FRONT VIEW AND DETAILS - PARTS 3 AND 4 OF THIS FIGURE
CORDING DIAGRAM - - - - - FIG. 20
17. MOUNT (68) WITH EXISTING HARDWARE
18. APPLICATION OF I.E. T. LOCKWASHERS FOR GROUNDING COMPONENTS:
 - A. UNDER HEAD AND NUT OF EACH BOLT HOLDING (17) TO (12) AND (13)
 - B. UNDER HEAD AND NUT OF EACH BOLT HOLDING (17) TO VEHICLE
 - C. UNDER HEAD AND NUT OF EACH BOLT HOLDING (30) TO VEHICLE.
 - D. UNDER HEAD AND NUT OF TWO END BOLTS OF (40) TO (13)
 - E. UNDER HEAD AND NUT OF TWO END BOLTS HOLDING (41) TO (12)
 - F. UNDER HEAD AND NUT OF TWO MOUNTING BOLTS (39) TO (15)
 - G. UNDER HEAD OF EACH MOUNTING BOLT HOLDING (15) TO (12)
 - H. BETWEEN (45) AND (12) AND UNDER NUT OF BOLT ON LEFT FRONT OF (45) THROUGH (12) AND VEHICLE
 - I. UNDER HEAD OF BOLTS OF (5) TO (12)
 - J. UNDER HEAD AND NUT OF ONE BOLT HOLDING (13) TO VEHICLE .
19. (53) IS ROUTED BETWEEN CUSHION AND METAL FRAME OF BACK OF REAR SEAT
20. RADIO RECEIVER BC-312-(), (2), SHALL BE GROUNDED TO MOUNTING FT-162-(), (39), BY (56) AND BY APPLICATION OF TWO 1/4" BONDING BRAID STRAPS BETWEEN THumbnUTS ON FRONT OF (2) AND MOUNTING SCREWS OF (39)

TL-12445-5

Part and Location

Mounting FT-285-(), and Strap (item 45, fig. 25), in rear of vehicle, center.

Cabinet CH-74-(), on Mounting FT-285-().

Mounting FT-237-(), in Cabinet CH-74-().

Mast Bracket MP-50, Bracket FT-422, and Reinforcing Plate FT-429, on the right side of the vehicle body, at the rear.

Insulators IN-121.

Mast Base MP-48 or MP-48-A, on Mast Bracket MP-50.

Mast Sections MS-51 to MS-53 and Clamps MC-423 and MC-424, on the mast base.

Cover BG-108.

Method and Materials

Attach the mounting to the floor of the vehicle with the hardware provided. Secure top of mounting to vehicle with strap (one at each end) as shown in figure 25.

Attach to the mounting with the screws and stop-nuts supplied in the bottom of the cabinet.

Attach the mounting to the floor of the cabinet with the hardware supplied with the mounting. Route Power Cord CO-278 to the car terminal box and secure as shown in figure 25.

Attach the mast bracket to the wheel housing with the reinforcing plate on the inside as shown in figure 25, using the hardware provided.

Install one insulator through the hole in the mast bracket and vehicle. Install the other insulators through the hole in the top of the right rear wheel-well and through one end of Cabinet CH-74-(), as shown in figure 25.

If Mast Base MP-48 is supplied, refer to figure 26 and assemble as follows: Remove nuts and washers (items 2, 3, 4, and 5) from stem (item 1). Loosen setscrews (items 8 and 9) and pull assembly 7 out of the mast base and stow the assembly. Prepare assembly 6 as follows: Strip 1/2-inch of the insulation from each end of the proper length of wire W-128; clean and tin the ends. Solder lug (item 6B) to one end. Place the porcelain insulator (item 6C), neoprene washer (item 6D), and ceramic insulator (item 6E) over Wire W-128. Insert the assembly into the mast base and secure with setscrews (items 8 and 9). Make certain that item 6B is inserted into the mast base as far as it will go. Insert Wire W-128 and the stem (item 1) through the hole in the mast bracket and secure in place with items 2, 3, 4, and 5. Flex the mast base 90° and screw the retaining collar (item 18) on the end of the mast base stem (item 1) to secure the assembly in the mast base. Route the lead-in wire through Insulators IN-121 and attach to the TR binding post on Mounting FT-237-(). If Mast Base MP-48-A is supplied, assemble as shown in figure 27.

Screw the mast sections together and secure with the clamps. Fasten the clamps to the male end of the mast sections. Then screw the mast antenna into the mast base. When not in use, carry the mast sections in Roll BG-56-().

Place on the mast base when the mast sections are not in use.

Part and Location

Radio Receiver BC-603-() or BC-683-() and Dynamotor DM-34-(), on Mounting FT-237-(). (Only one receiver and one dynamotor are used with Radio Set SCR-528-() or SCR-628-().)

Radio Transmitter BC-604-() or BC-684-() and Dynamotor DM-35-(), on Mounting FT-237-().

Method and Materials

If Dynamotor DM-34-() is not already installed, proceed as follows: Remove receiver chassis from cabinet by loosening the screw lock in the rear center of the cabinet. Install the dynamotor unit on the top rear of the receiver chassis by means of four screws through its base. Place the receiver on Mounting FT-237-() in the position shown in figure 25 and secure by means of the thumbscrew lock.

If Dynamotor DM-35-() is not already installed in Radio Transmitter BC-604-() or BC-684-(), proceed as follows: Remove crystal case from the transmitter cabinet by loosening the two screw locks on the front panel and pulling out the crystal case. Loosen the four screw locks holding cover on top of transmitter and remove the cover. Install the dynamotor unit in the left rear of the transmitter chassis by means of four screws through its base. Place transmitter unit on Mounting FT-237-() in the position shown in figure 25 and secure by means of the thumbscrew lock.

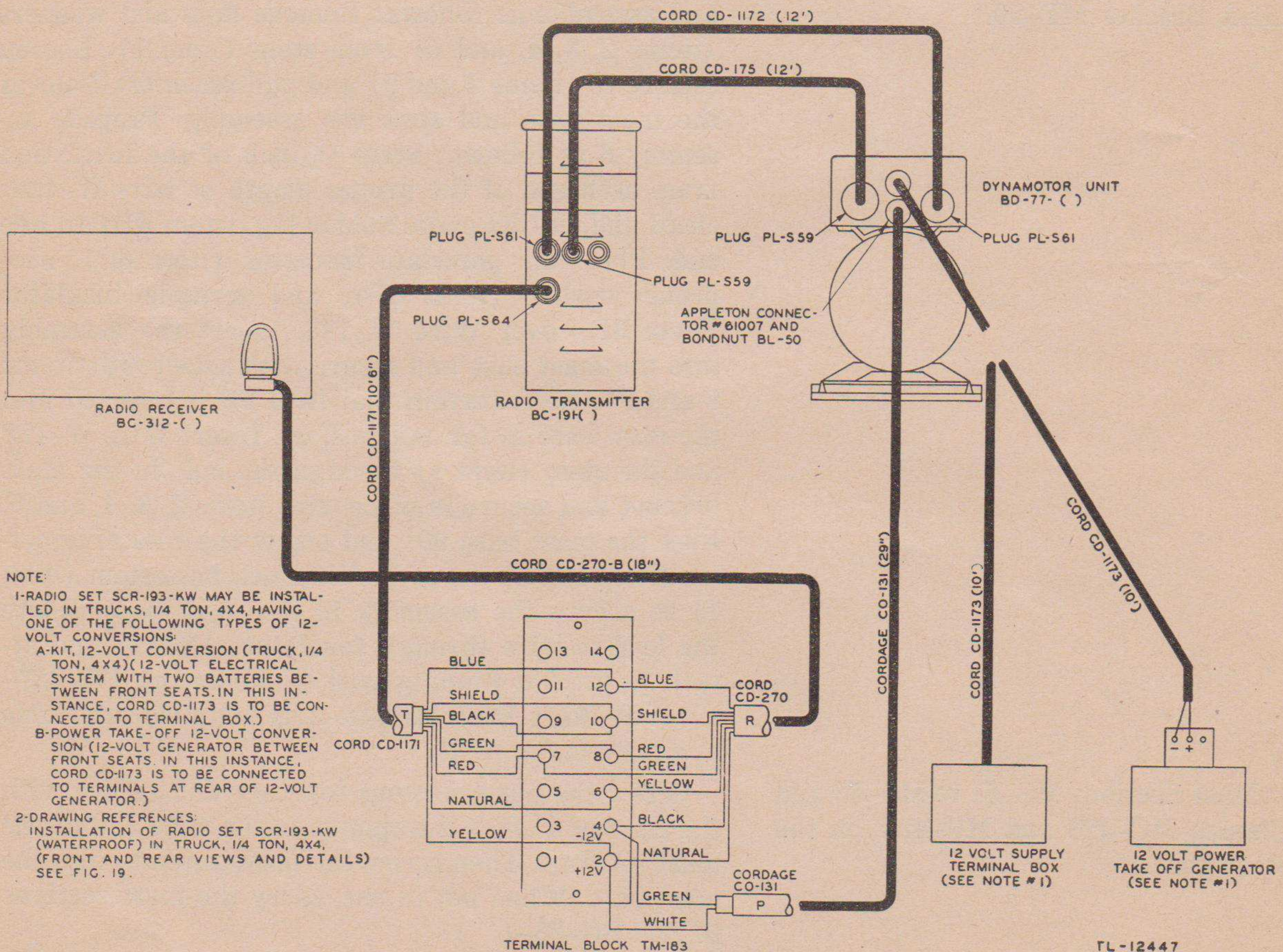


Figure 20. Cording diagram of Radio Set SCR-193-KW (waterproof) in Truck, 1/4-ton, 4x4.

Part and Location

Radio Receivers BC-923-() and Dynamotor DM-64-(), on Mounting FT-237-(). (Only one receiver and dynamotor are used with Radio Set SCR-828-().)

Radio Transmitter BC-924-() and Dynamotor DM-65-(), on Mounting FT-237-(). (For Radio Set SCR-808-() or SCR-828-().)

c. CORDING AND WIRING. (1) Cord and wire Radio Set SCR-508-(), SCR-528-(), SCR-608-(), SCR-628-(), SCR-808-(), or SCR-828-() as shown in figure 25. Connect and secure so as not to interfere with the accessibility and operation of the equipment. Enough slack must be left to permit free movement of all units having shock mounting. Cording or cable likely to

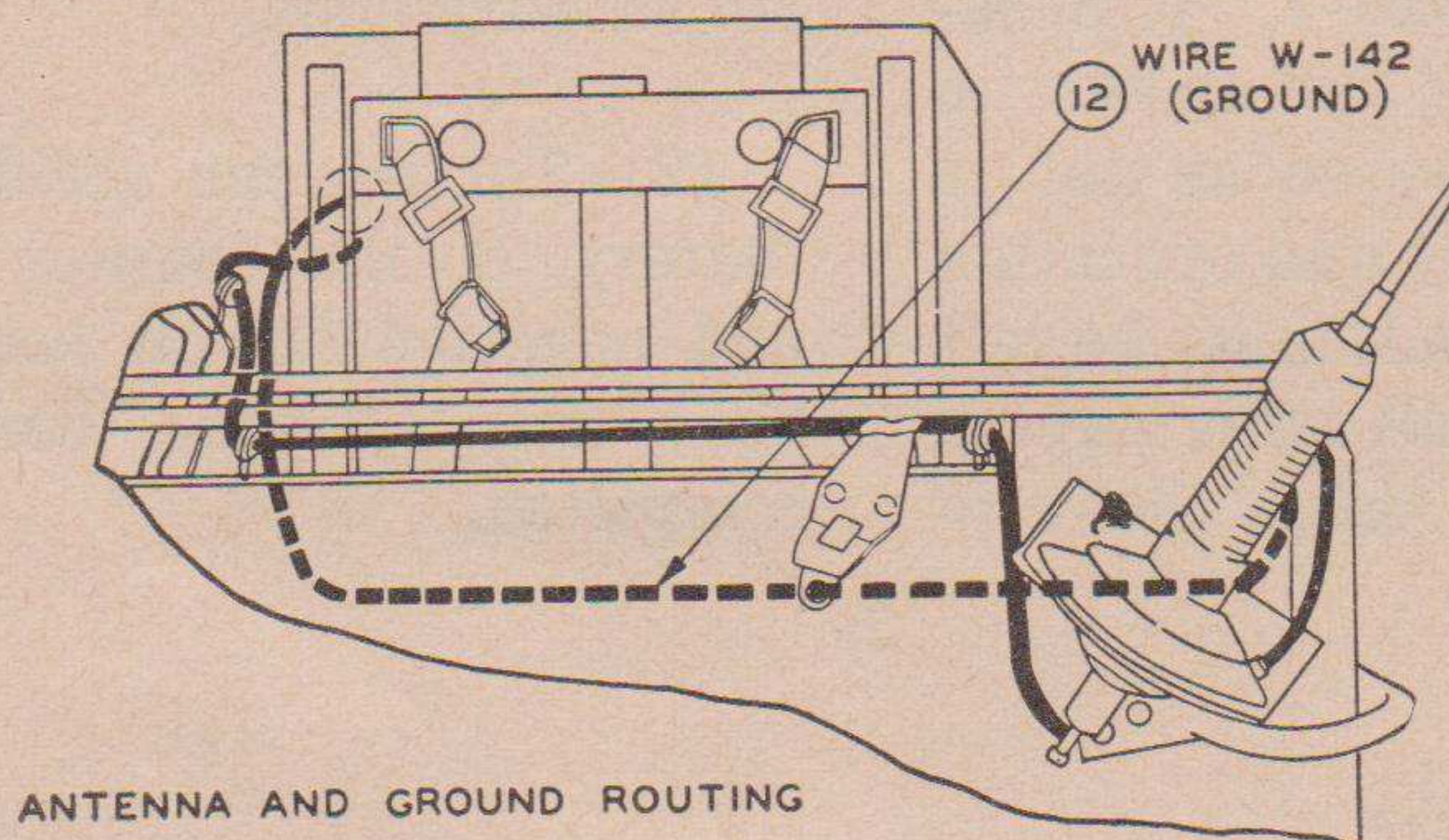
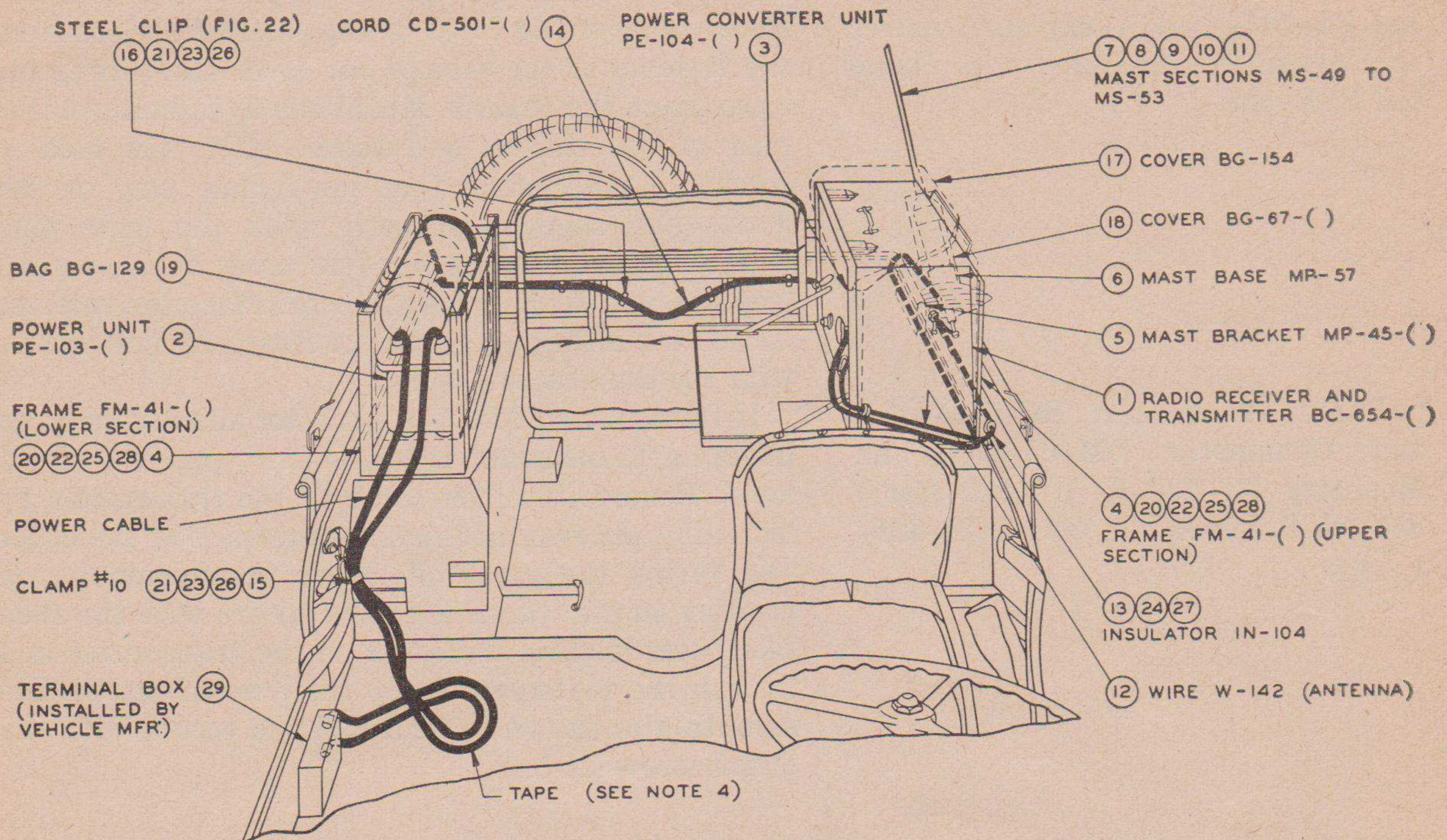
Method and Materials

If Dynamotor DM-64-() is not already installed in Radio Receiver BC-923-(), proceed as follows: Remove the shield cover of the receiver by loosening the fastener at the back of the cover and sliding the cover from the chassis. Mount the dynamotor on the rear of the chassis and secure with the hold-on screws. Make certain that the female plug on the dynamotor engages properly with the male plug on the chassis. Replace the dust cover in its original position, and tighten the fastener. Place the receiver on the mounting as shown in figure 25 and secure with the thumbscrew locks.

If Dynamotor DM-65-() is not already installed in Radio Transmitter BC-924-(), proceed as follows: Remove the dust cover of the transmitter by loosening the two fasteners on the back of the cover and lifting the cover off. Place the dynamotor in position on the transmitter and secure with the slide fasteners. Replace the cover on the transmitter and tighten the fasteners. Place the transmitter on the mounting as shown in figure 25 and secure with the thumbscrew latch.

rub against sharp edges should be taped with at least two layers to prevent damage. Solder-tin all wire ends.

(2) To prevent accidental shorts of the battery, do not connect the positive 12-volt and negative 12-volt leads (in the terminal box) until all other connections have been completed.

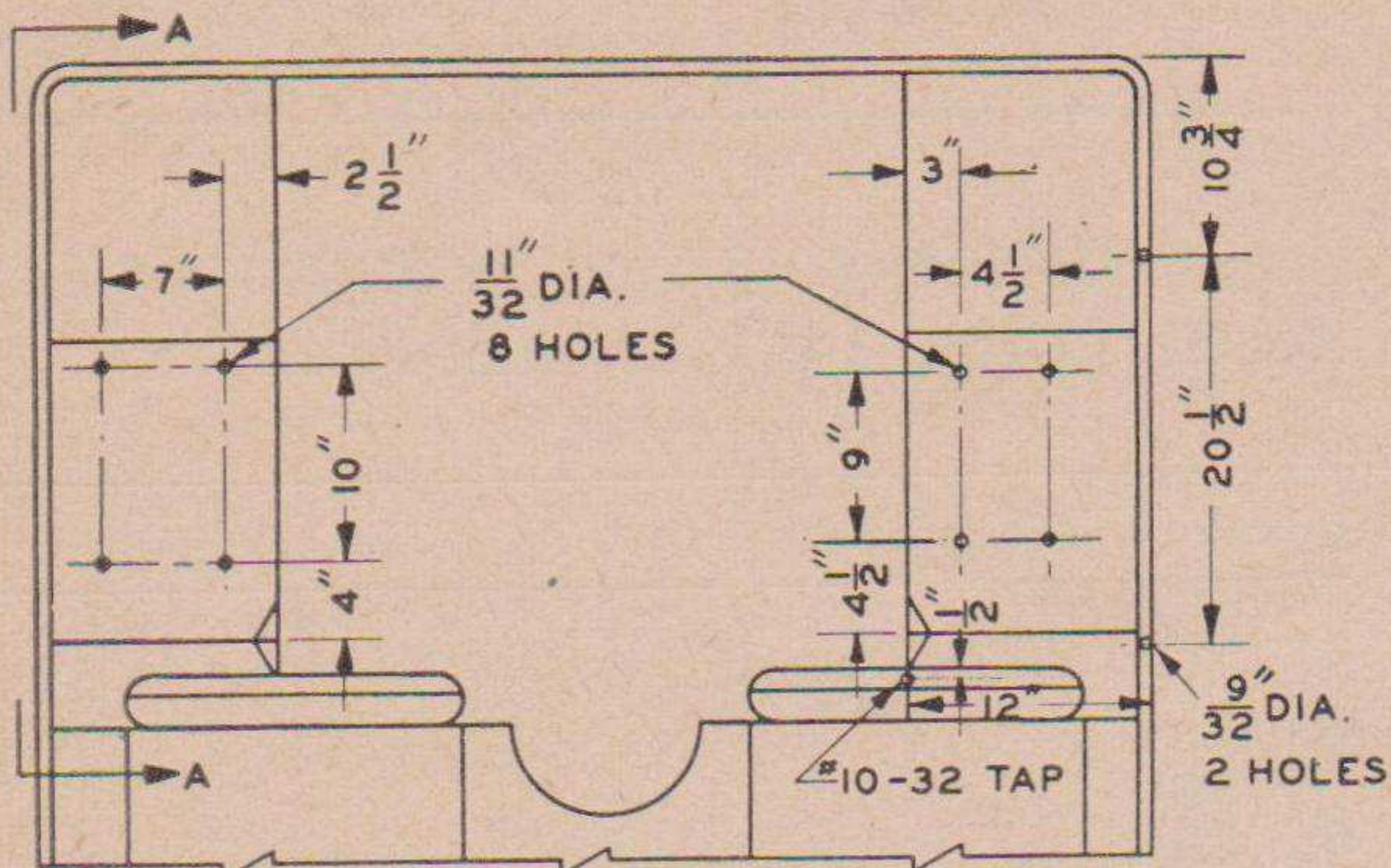


NOTES:

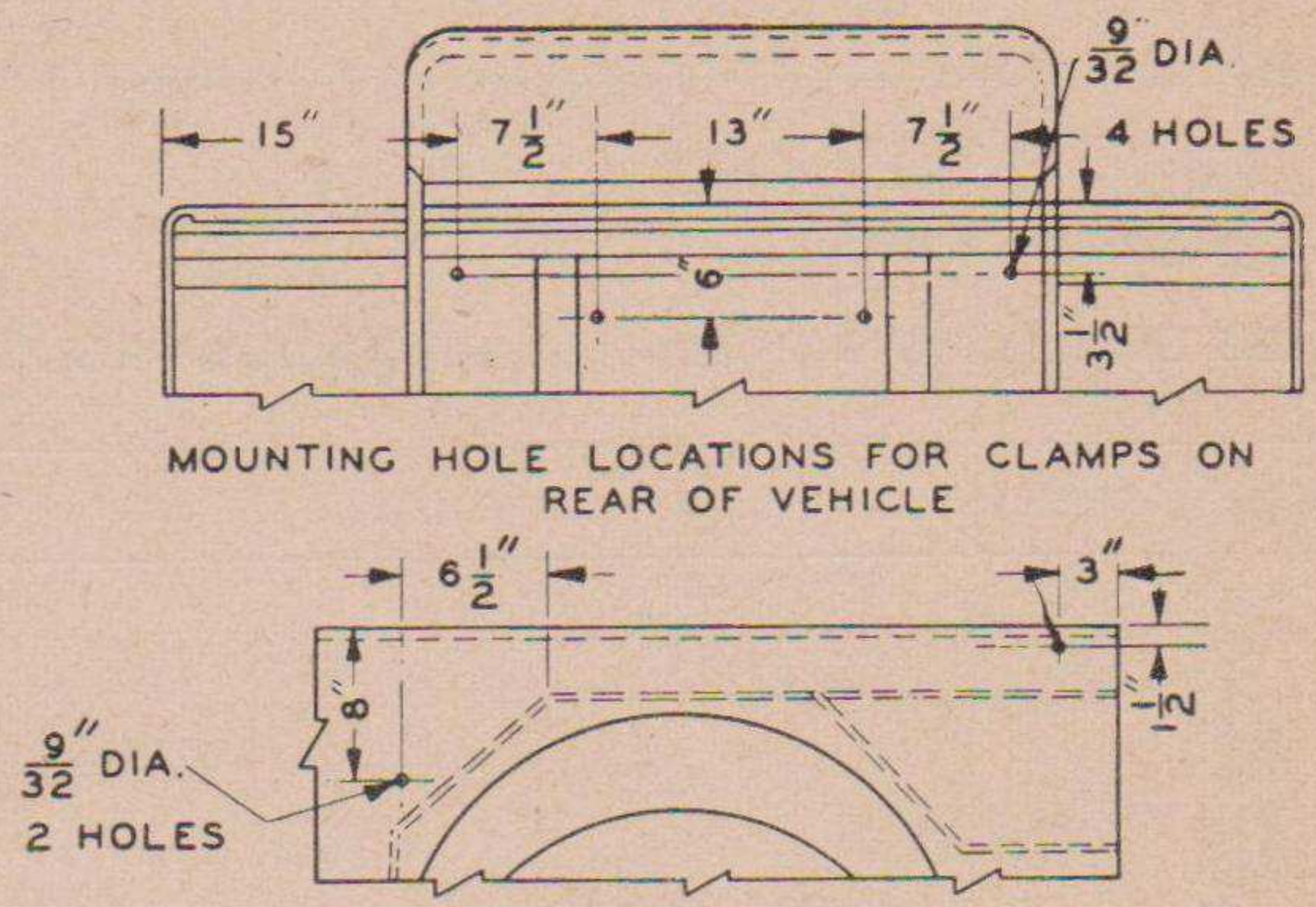
1. FOR ADDITIONAL COMPONENTS AND SPARE PARTS SEE COMPONENT PARTS LIST.
2. (12) CUT TO PROPER LENGTH. TIN ENDS FOR THE ANTENNA AND GROUND CONNECTIONS.
3. USE (18) WHEN MAST SECTIONS ARE NOT INSTALLED.
4. THE EXCESS POWER CABLE IS COILED ON THE FLOOR OF THE VEHICLE AND TAPED.
5. (29) IS SUPPLIED WITH THE VEHICLE BY THE MANUFACTURER.
6. CUT FRAME FM-41-(), 19 1/16 AND 11 7/8 INCHES FROM BOTTOM, AND REMOVE THE STOWAGE COMPARTMENT ON FRAME FM-41-() CONTAINING POWER CONVERTER UNIT PE-104-() OR THE BATTERY BA-43-().

TL-13310-1

Figure 21. Installation of Radio Set SCR-284-() in Truck, 1/4-ton, 4x4.

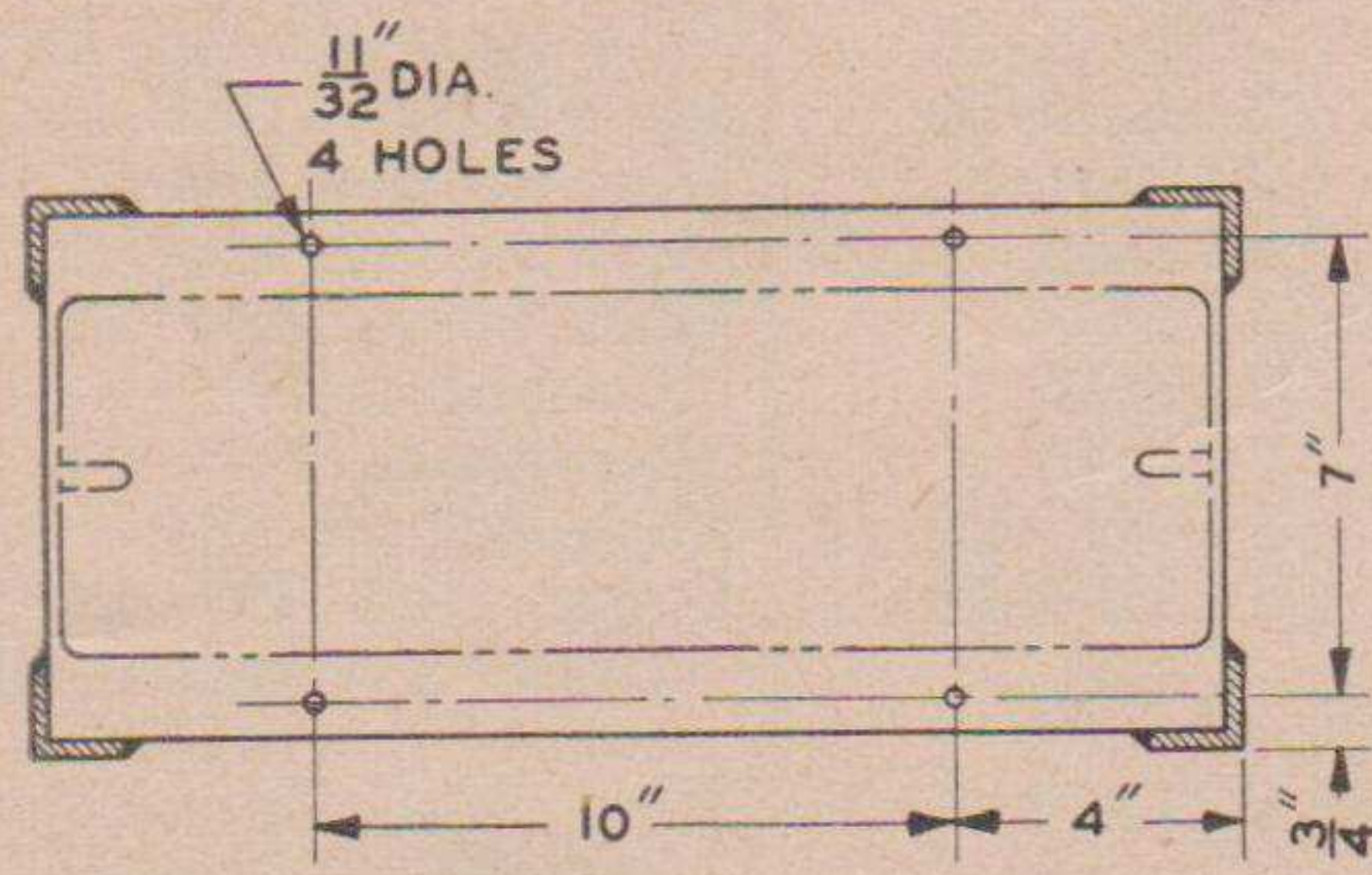


MOUNTING HOLE LOCATIONS FOR POWER UNIT PE-103-() AND RADIO RECEIVER AND TRANSMITTER BC-654-() AND INSULATOR IN-104

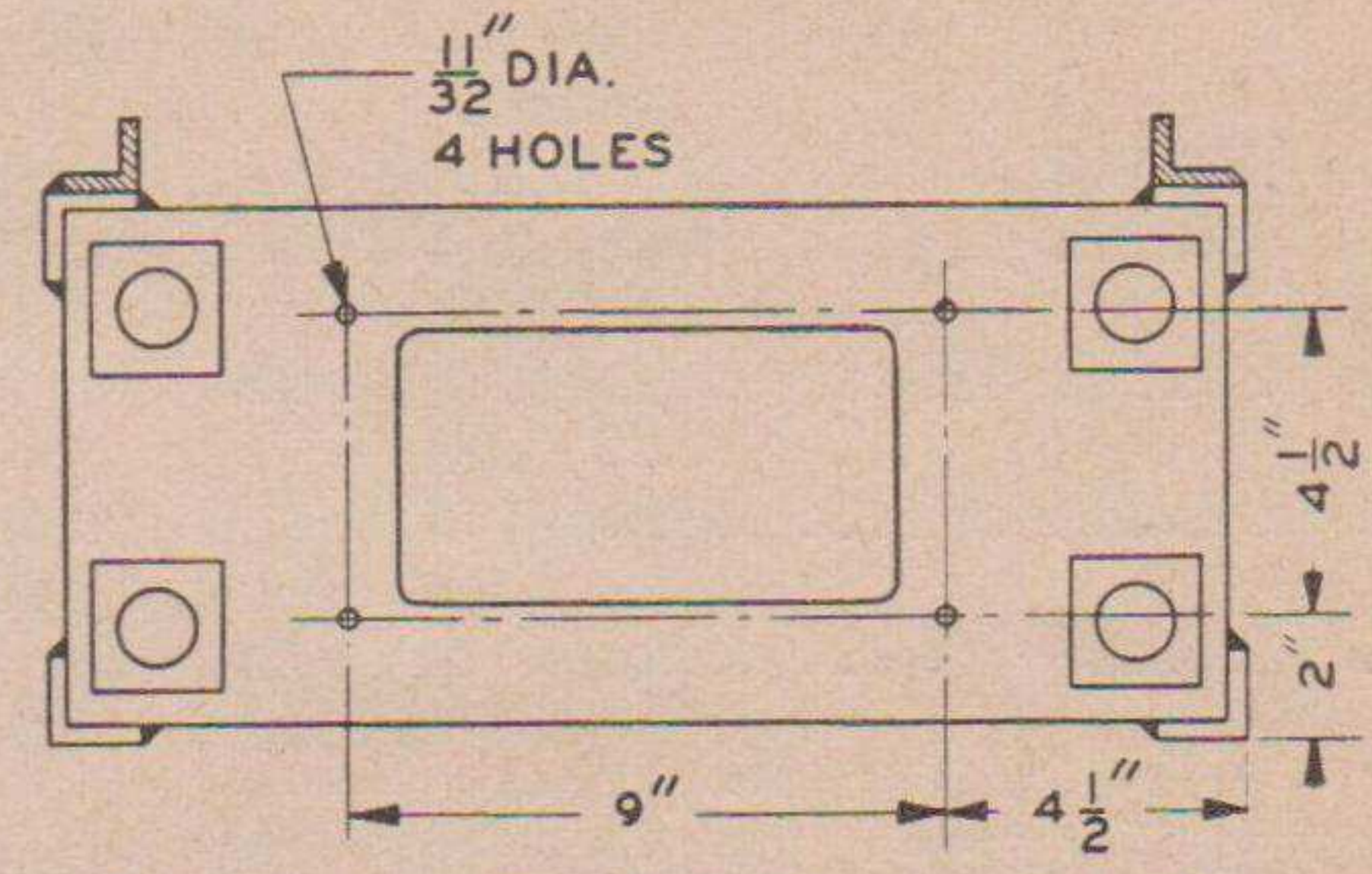


MOUNTING HOLE LOCATIONS FOR CLAMPS ON REAR OF VEHICLE

VIEW A-A



MOUNTING HOLE LOCATIONS IN FRAME FM-41-() (LOWER SECTION)



MOUNTING HOLE LOCATIONS IN FRAME FM-41-() (UPPER SECTION)

ITEM NO.	NAME OF ITEM	QUAN. REQ.
1	RADIO RECEIVER AND TRANSMITTER BC-654-()	1
2	POWER UNIT PE-103-()	1
3	POWER CONVERTER UNIT PE-104-()	1
4	FRAME FM-41-() (SEE NOTE 6)	1
5	MAST BRACKET MP-45-()	1
6	MAST BASE MP-57	1
7	MAST SECTION MS-49 WITH CLAMP MC-421	1
8	MAST SECTION MS-50 AND CLAMP MC-422	1
9	MAST SECTION MS-51 AND CLAMP MC-423	1
10	MAST SECTION MS-52 AND CLAMP MC-424	1
11	MAST SECTION MS-53	1
12	WIRE W-142 50 INCHES LONG (SEE NOTE 2)	2
13	INSULATOR IN-104	3
14	CORD CD-501-()	1
15	CLAMP #10	1
16	STEEL CLIP (FIG. 22)	5
17	COVER BG-154	1
18	COVER BG-67-() (SEE NOTE 3)	1
19	BAG BG-129	1
20	HEX. HD. MACH. SCREW 5/16"-24X2-1/2" LONG	8
21	HEX. HD. MACH. SCREW 1/4"-20X1/2" LONG	6
22	HEX. NUT 5/16"-24 STD.	8
23	HEX. NUT 1/4"-20 STD.	6
24	HEX. NUT #10-32 STD.	5
25	LOCKWASHER S.A.E. STD. FOR 5/16" SCREW	8
26	LOCKWASHER S.A.E. STD. FOR 1/4" SCREW	6
27	LOCKWASHER #10 STD.	3
28	FLATWASHER S.A.E. STD. FOR 5/16" SCREW	8
29	TERMINAL BOX C-100427 (SEE NOTE 5)	1

TL-13310-2

Figure 21—Continued

SECTION VII

RADIO SET SCR-510-() OR SCR-610-().

16. Required Parts

Items necessary for the installation of Radio

Set SCR-510-() or SCR-610-() in Truck, 1/4-ton, 4 x 4, are listed below:

Quantity		Stock No.	Item	Quantity		Stock No.	Item
Radio Set SCR-510-()				Radio Set SCR-510-()			
a1	a1	6Q349	Alignment Tool TL-207.	1	1	2Z3400-108	Cover BG-108, for mast base.
		3A41	Battery BA-41, for Radio Receiver and Transmitter BC-620-() or BC-659-(), internal.	2	2	2B830	Headset HS-30-().
0	1	2Z1140	Box BX-40-(), for crystals.	1	1	6L50-510V26	Hardware bag.
1	1	2Z6721-419	Bracket FT-419, for Mounting FT-250-().	c1	c1	2A2088-48	Mast Base MP-48-A or MP-48.
1	1	2Z1203-420	Bracket FT-420, for Mounting FT-250-().	1	1	2A2090-50	Mast Bracket MP-50.
1	1	2Z1203-422	Bracket FT-422 (brush guard for Mast Bracket MP-50).	0	1	2A2351	Mast Section MS-51.
0	1	2Z2651-423	Clamp MC-423, for securing Mast Sections MS-51 and MS-52.	1	1	2A2352	Mast Section MS-52.
1	1	2Z2651-424	Clamp MC-424, for securing Mast Sections MS-52 and MS-53.	1	1	2A2353	Mast Section MS-53.
1	1	6Z3147	Connector No. 61007 and Bondnut BL-50 (Appleton).	1	1	2B1617	Microphone T-17-().
b2	b2	3E1307A-5.5	Cord CD-307-A, 65", for Headset HS-30-().	1	1	2B1645	Microphone T-45.
b2	b2	3E1605	Cord CD-605, for Headset HS-30-().	1	1	2Z6721-250	Mounting FT-250-().
b2	b2	3E1604	Cord CD-604, for connecting Cord CD-307-A to Headset HS-30-().	d1	d1	3H4496-120	Power Unit PE-120-(), (includes 2 Vibrator VB-12 and spare capacitor).
1	1	2Z3400-153	Cover BG-153, for radio set.	1	0	2C5360	Radio Receiver and Transmitter BC-620-(), includes 2 crystals in Holders FT-243 and set of tubes installed.
				0	1	2C5379	Radio Receiver and Transmitter BC-659-(), includes 2 crystals in Holders FT-243 and set of tubes installed.
				2	2	2Z7069-429	Reinforcing Plate FT-429-(), for Mast Bracket MP-50.
				1	1	2Z8056	Roll BG-56-(), for antenna mast sections.
				2	2	3H6712	Vibrator VB-12, 6-volt.
				11 ft 11 ft		1B128	Wire W-128.

^a To be requisitioned from the nearest Signal Corps Depot or Signal Section of an Army Service Forces Depot.

^b Cords CD-307-A and CD-604 may be substituted for Cord CD-605.

^c When Mast Base MP-48 is supplied, 7 feet of Wire W-128 must be used.

^d Plate Supply Units PE-97-() and PE-117-() may be substituted for Power Unit PE-120-() in Radio Sets SCR-510-() and SCR-610-(), respectively. When these substitutions are made, Vibrator VB-12 is not required.

17. Assembly and Installation

a. PRELIMINARY CHECK. Truck, 1/4-ton, 4 x 4, ordinarily has a 6-volt electrical system. These instructions cover Radio Set SCR-510-() or SCR-610-() for 6-volt operation. Conversion of the electrical system is made in some vehicles to permit installation of radio equipment requiring 12 volts for operation. These conversions may be either a 12-volt under-hood conversion or a power take-off conversion. Radio Set SCR-510-() or SCR-610-(), as covered in these in-

structions, cannot be used with the power take-off conversion, due to interference with the battery boxes supplied with the power take-off conversion. Before beginning the installation, make sure that the power units are adjusted for the same voltage as that supplied by the vehicle in which the radio set is to be installed, and that vibrators for the correct voltage are supplied.

b. PROCEDURE. Components of the radio set should be installed as shown in figures 28, 29, and 30, and as directed below:

Part and Location

Brackets (FT-419 and 420) for Mounting FT-250-() over left rear wheel housing.

Mast Bracket MP-50, and Reinforcing Plate FT-429, on left wall of vehicle, as shown in figure 29.

Bracket FT-422 (brush guard), on the left wall of the vehicle as shown in figure 29.

Mast Base MP-48 or MP-48-A and Wire W-128 on Mast Bracket MP-50, as shown in figures 29 and 30.

Mounting FT-250-(), on brackets, over the left rear wheel housing, as shown in figure 29.

Power Unit PE-120-() and Vibrator VB-12 on Mounting FT-250-().

Method and Materials

Refer to plan view, drilling diagram, figure 28, for details and mounting holes, and install brackets as shown in figure 29.

Drill holes as shown in the drilling diagram in figure 28 and mount the brackets in place with the hardware provided.

Mount in place with the hardware provided.

If Mast Base MP-48 is supplied, refer to figure 26 and proceed as follows: Remove items 2, 3, 4, 5, 17, and 18 from item 1. If the internal lead-in, assembly 7, is installed in the mast base, remove the assembly and stow it.

Cut Wire W-128 to $24" \pm 1"$ for Radio Set SCR-510-() or $36" \pm 1"$ for Radio Set SCR-610-(). Strip $\frac{1}{2}"$ insulation from the ends of the wire, solder-tin and pass one end of the wire through insulators, items 14 and 15, and secure to binding post, item 16. Leave enough slack for flexing the mast base. Tighten the screws in items 14 and 15. Insert item 1 through the hole in the mast bracket. Replace items 2, 3, 4, and 5 on item 1 and tighten securely. Replace items 17 and 18 on item 1, to prevent dirt and moisture from collecting inside the mast base. If Mast Base MP-48-A is supplied, prepare Wire W-128 as directed above. Refer to figure 27 and pass the wire through the insulators, items 14 and 15. Leave enough slack for flexing the mast base. Tighten the screws in items 14 and 15. Solder terminal, item 8, to the wire and connect to the terminal on the mast base with item 9. Solder another terminal to the other end of Wire W-128 for connection to the radio set. Remove items 2, 3, and 4 from the mast base stem. Mount the mast base on the mast bracket and secure with items 2, 3, and 4.

Place the mounting on the brackets and secure with the hardware provided.

Raise the lid of Power Unit PE-120-() and remove the cover of the power pack. Refer to the diagram on the cover and make sure that the change over plug is in the 6-volt position (arrow pointing to six). Set the connector link in the BC-620 position for Radio Set SCR-510-() or in the BC-659 position for Radio Set SCR-610-(). Plug Vibrator VB-12 into its socket and replace the cover of the power pack. Close the lid of the power unit and place the unit on the mounting. Secure with the hook fasteners provided.

Part and Location

Radio Receiver and Transmitter BC-620-() or BC-659-() and Battery BA-41, on Power Unit PE-120-().

Mast Sections MS-52 and MS-53 and Clamp MC-424. (Add Mast Section MS-51 and Clamp MC-423 for Radio Set SCR-610-().)

Cover BG-108.

Method and Materials

If Battery BA-41 is not already installed in the receiver and transmitter, proceed as follows: Remove the screws around the outer edge of the front panel and pull the receiver and transmitter chassis out of its case. Remove the cover of the battery compartment located on the chassis near the front panel. Place Battery BA-41 into the compartment, being careful to engage the plug into the socket of the battery. Replace the cover. Before replacing the chassis in its case, make sure that all tubes are firmly pressed down into their proper sockets, that the crystals for the desired operating frequencies are in their proper sockets with the retaining clip in position, and that the two toggle switches near the left side of the chassis are in the ON position. Mount the receiver and transmitter on the power unit and secure with the provided catch clips.

Screw the mast sections together and secure with the clamps. Fasten the clamps to the male end of the mast sections. Then screw the mast antenna into the mast base. When not in use, carry the mast sections in Roll BG-56-().

Place over the mast base when the mast sections are not in use.

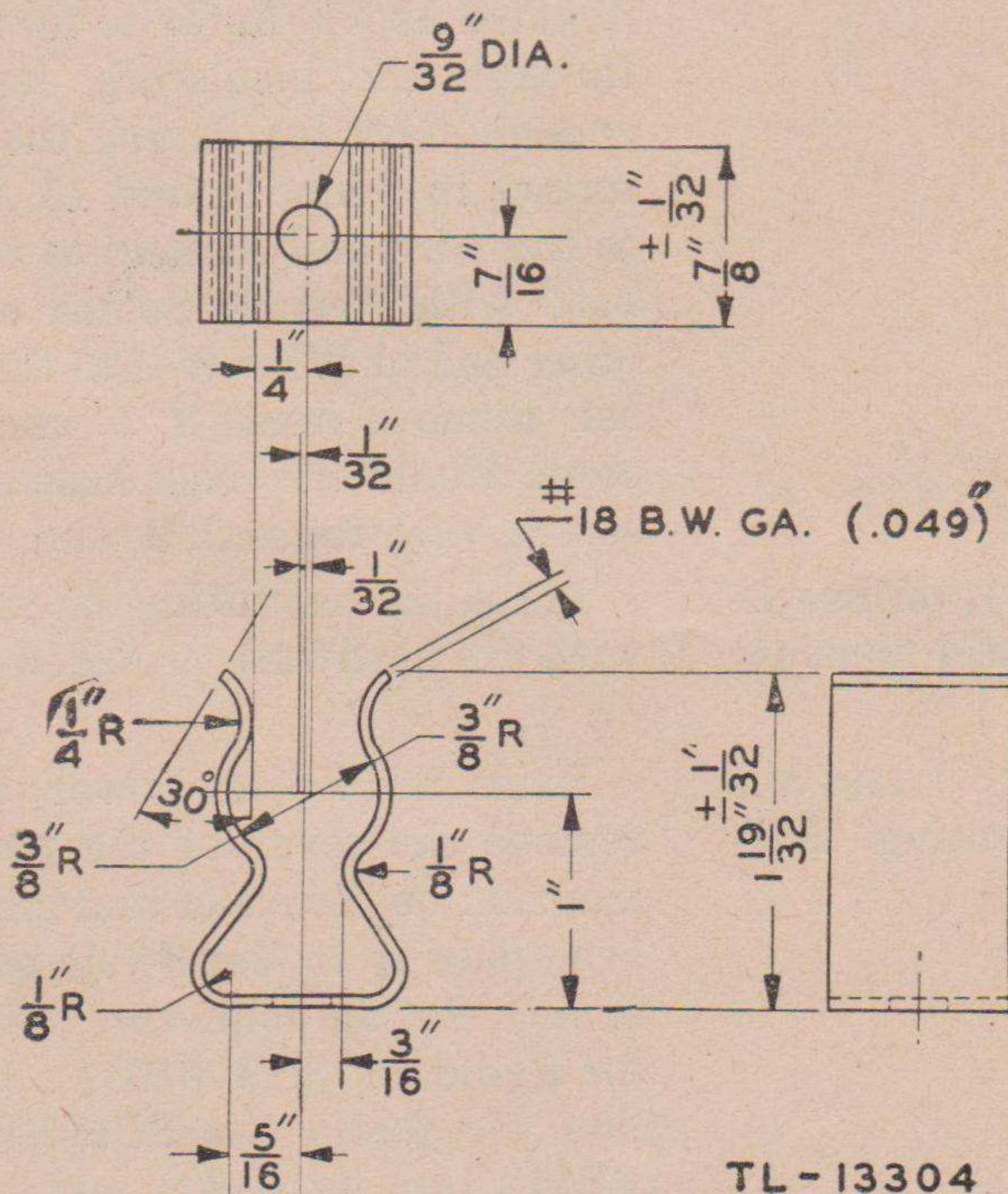
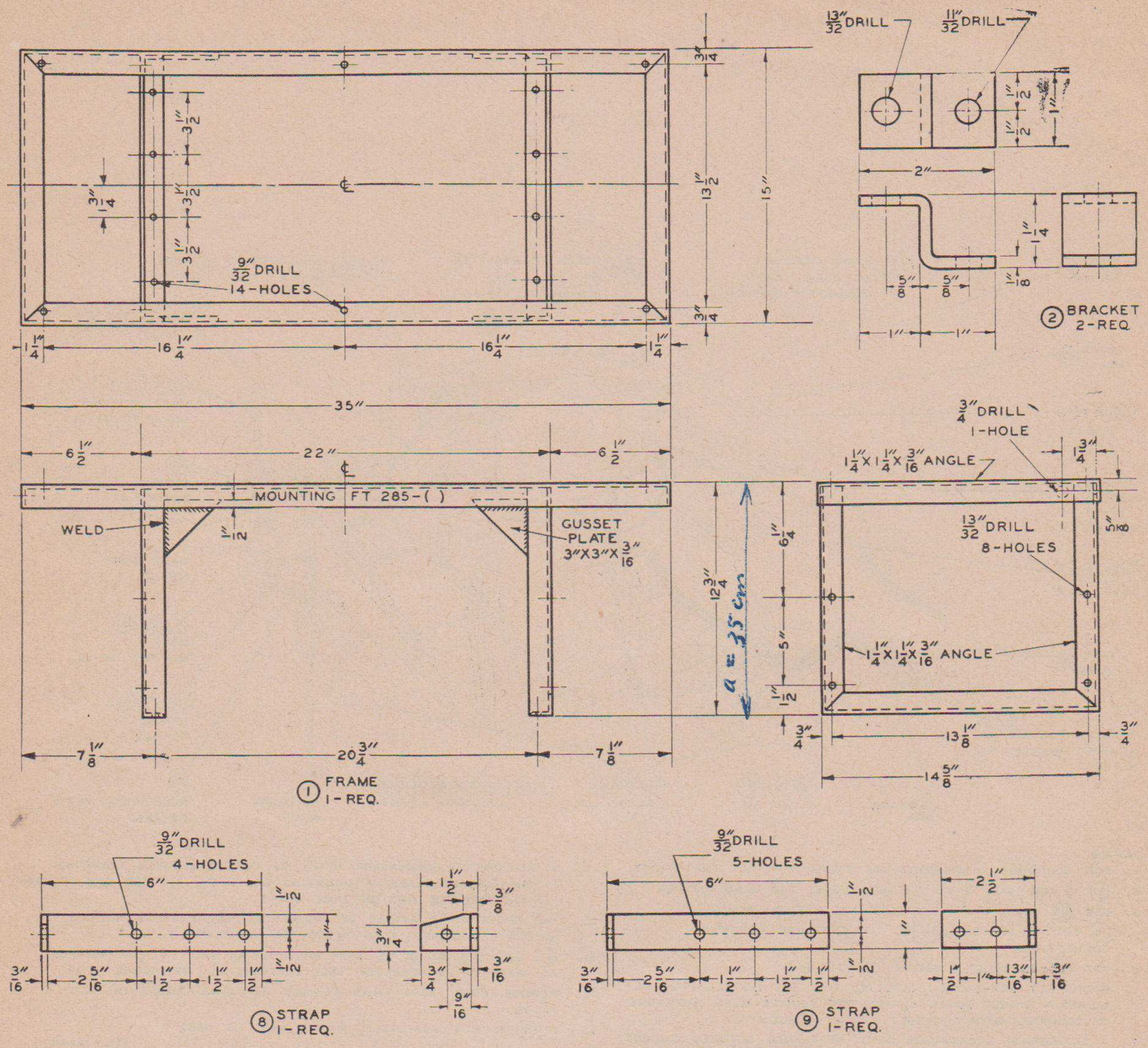


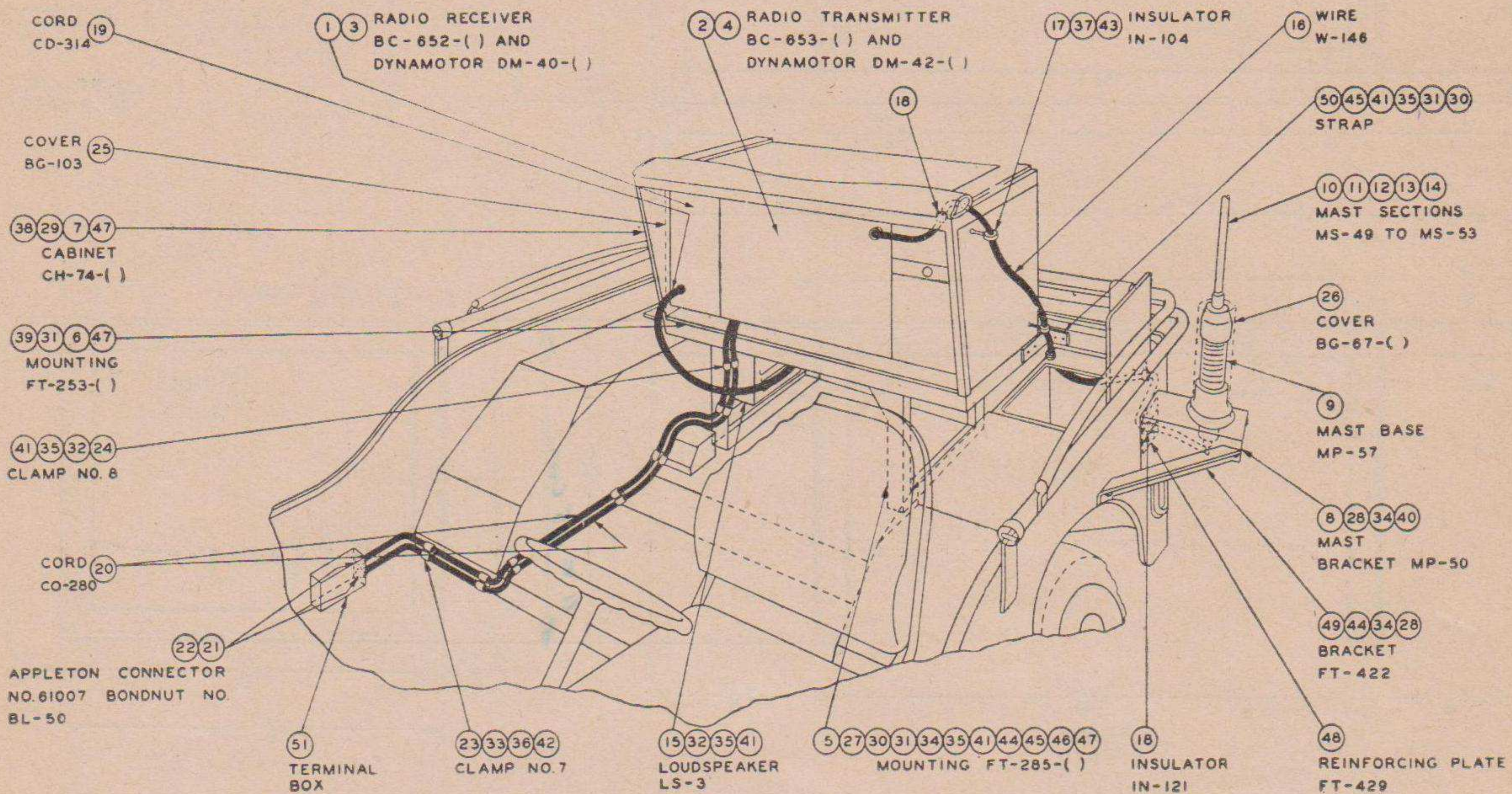
Figure 22. Clip for Cord CD-501(), details.



ITEM NO.	NAME OF ITEM	QUAN. REQ.
1	FRAME	1
2	BRACKET	2
3	HEX. HD. BOLT 3/8"-24X3/4" LONG	8
4	RD. HD. MACH. SCREW 5/16"-24X5/8" LONG	2
5	WASHERS 3/8" STD.	24
6	ELASTIC STOP NUT 3/8"-24 CAT. #42E064	8
7	ELASTIC STOP NUT 5/16"-24 CAT. #42E054	6
8	STRAP	1
9	STRAP	1
10	HEX. HD. MACH. SCREW 1/4"-20X1-1/2" LONG	3
11	HEX. HD. MACH. SCREW 1/4"-20X3/4" LONG	12
12	HEX. NUT 1/4"-20	15
13	LOCKWASHER 1/4" STD.	15

NOTES:
 1- (2) TO (13) INCLUSIVE ARE USED FOR INSTALLATION AND SHALL BE PLACED IN A HEAVY CLOTH BAG AND TIED TO FRAME.
 2- (3, 4, 5, 10, 11, 12, AND 13) ARE CADMIUM PLATED.

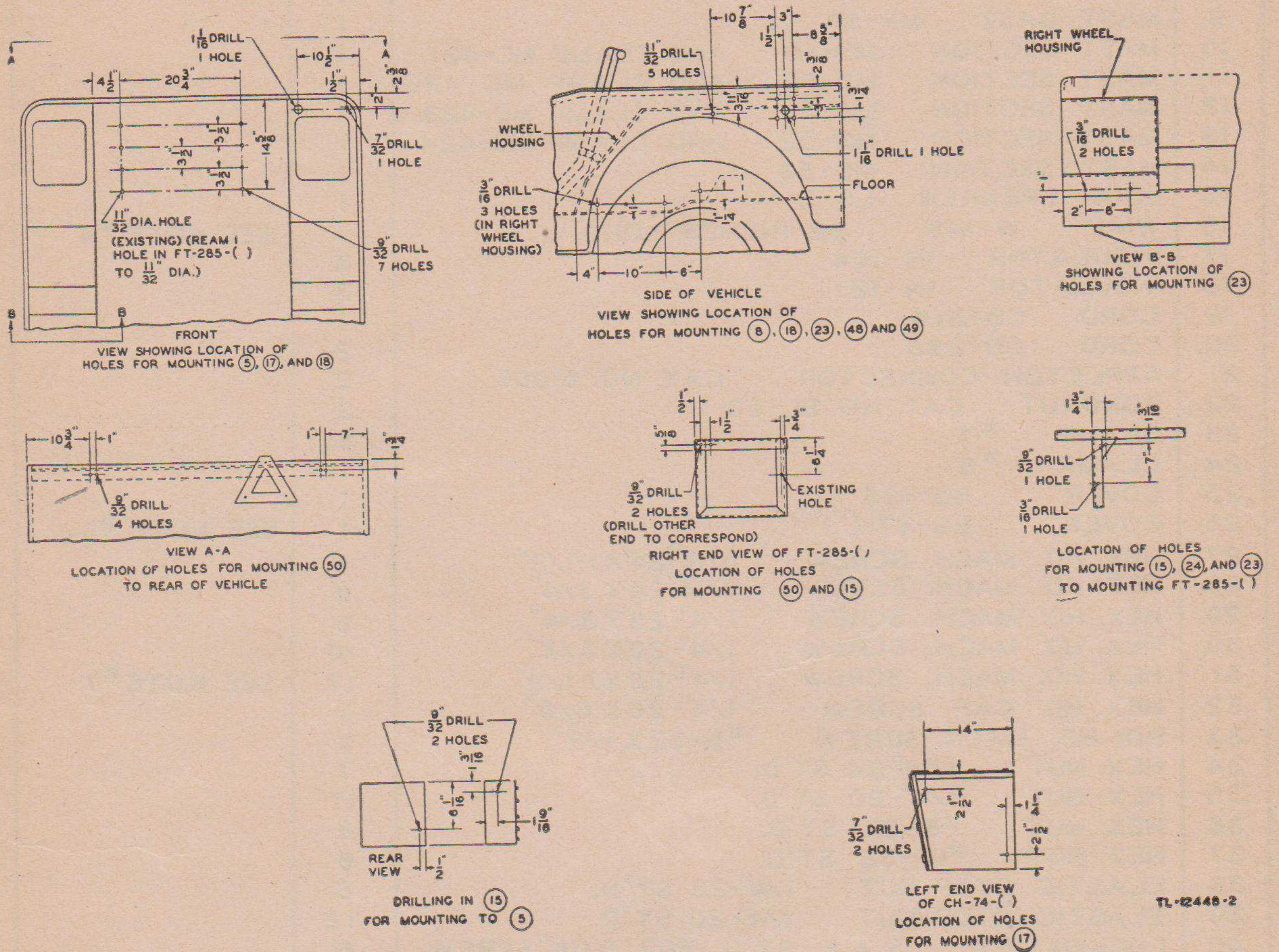
Figure 23. Mounting FT-285-(), assembly and details.



- NOTES:
1. FOR ADDITIONAL COMPONENTS AND SPARE PARTS SEE PARTS LIST.
 2. (51) IS FURNISHED WITH THE VEHICLE BY THE MANUFACTURER.
 3. USE (26) WHEN MAST SECTIONS ARE NOT INSTALLED.
 4. (16) CUT TO PROPER LENGTH. TIN ENDS FOR ANTENNA CONNECTIONS.
 5. USE (45) TO TIGHTLY SECURE (50) TO BODY.
 6. RADIO SET SCR-506-(), SUPPLIED FOR THIS INSTALLATION, REQUIRES A 12-VOLT POWER SUPPLY. THE VEHICLE MUST THEREFORE BE EQUIPPED WITH A 12-VOLT POWER SOURCE.
 7. A SHAKEPROOF LOCKWASHER SHALL BE PLACED BETWEEN CABINET CH-74-() AND ELASTIC STOP NUT ON ONE MOUNTING BOLT ON EACH END OF MOUNTING FT-253-().
 8. A SHAKEPROOF LOCKWASHER SHALL BE PLACED BETWEEN CABINET CH-74-() AND HEAD OF MOUNTING BOLT AND BETWEEN MOUNTING FT-285-() AND ELASTIC STOP NUT ON ONE MOUNTING BOLT AT EACH END OF MOUNTING FT-285.
 9. A SHAKEPROOF LOCKWASHER SHALL BE PLACED BETWEEN MOUNTING FT-285-() AND HEADS OF MOUNTING BOLTS (27) AND (31) AND BETWEEN VEHICLE AND HEX. NUT ON SAME BOLTS.
 10. THE ABOVE APPLICATIONS OF SHAKEPROOF LOCKWASHERS ARE TO ADEQUATELY GROUND COMPONENTS TO VEHICLE.
 11. (46) AND (47) SHALL BE CAT NO. 4018-24 AND CAT NO. 4014-20 AS MADE BY SHAKEPROOF INC., CHICAGO, ILL., OR EQUAL.
 12. REMOVE REAR SEAT FROM VEHICLE TO MAKE RADIO INSTALLATION.
 13. IF (9) IS NOT AVAILABLE, MP-37 MAY BE USED.

TL-12448-1

Figure 24. Installation of Radio Set SCR-506-() in Truck, 1/4-ton, 4x4.



TL-2448-2

Figure 24—Continued

ITEM NO.	NAME OF ITEM	QUAN. REQ.	REMARKS
1	RADIO RECEIVER BC-652-()	1	
2	RADIO TRANSMITTER BC-653-()	1	
3	DYNAMOTOR DM-40-()	1	SEE NOTE #6
4	DYNAMOTOR DM-42-()	1	SEE NOTE #6
5	MOUNTING FT-285-()	1	SEE NOTE #9,10
6	MOUNTING FT-253-()	1	SEE NOTE #8,9,10
7	CABINET CH-74-()	1	SEE NOTE #8,10
8	MAST BRACKET MP-50	1	
9	MAST BASE MP-57	1	
10	MAST SECTION MS-49 AND CLAMP MC-421	1	
11	MAST SECTION MS-50 AND CLAMP MC-422	1	
12	MAST SECTION MS-51 AND CLAMP MC-423	1	
13	MAST SECTION MS-52 AND CLAMP MC-424	1	
14	MAST SECTION MS-53	1	
15	LOUD SPEAKER LS-3	1	
16	WIRE W-146 62 INCHES LONG	1	SEE NOTE #4
17	INSULATOR IN-104	3	
18	INSULATOR IN-121	3	
19	CORD CD-314	1	
20	CORD CO-280	2	
21	APPLETON CONNECTOR CAT. NO. 61007	2	
22	BONDNUT CAT. NO. BL-50	2	
23	CLAMP #7	6	
24	CLAMP #8	1	
25	COVER BG-103	1	
26	COVER BG-67-()	1	SEE NOTE #3
27	HEX. HD. MACH. SCREW 5/16" 24 X 1-1/2"	1	
28	HEX. HD. MACH. SCREW 5/16" 24 X 3/4"	6	
29	HEX. HD. MACH. SCREW 1/4" 28 X 3/4"	6	
30	HEX. HD. MACH. SCREW 1/4" 20 X 3/4"	10	
31	HEX. HD. MACH. SCREW 1/4" 20 X 1-1/2"	17	SEE NOTE #7
32	HEX. HD. CAP SCREW 1/4" 20 X 5/8"	2	
33	RD. HD. MACH. SCREW #8-32 X 1/2"	6	
34	HEX. NUT 5/16" 24 ST'D.	7	
35	HEX. NUT 1/4" 20 ST'D.	17	
36	HEX. NUT #8-32 ST'D.	6	
37	HEX. NUT #10-32 ST'D.	6	
38	ELASTIC STOP NUT 1/4" 28 ST'D.	6	
39	ELASTIC STOP NUT 1/4" 20 ST'D.	12	
40	LOCKWASHER S.A.E. ST'D. FOR 5/16" SCREW	6	
41	LOCKWASHER S.A.E. ST'D. FOR 1/4" SCREW	16	
42	LOCKWASHER S.A.E. ST'D. FOR #8 SCREW	6	
43	LOCKWASHER S.A.E. ST'D. FOR #10 SCREW	6	
44	FLATWASHER S.A.E. ST'D. FOR 5/16" SCREW	1	
45	FLATWASHER S.A.E. ST'D. FOR 1/4" SCREW	11	SEE NOTE #5
46	SHAKEPROOF LOCKWASHER 5/16" ST'D.	2	SEE NOTE #10
47	SHAKEPROOF LOCKWASHER 1/4" ST'D.	8	SEE NOTE #10
48	REINFORCING PLATE FT-429	2	
49	BRACKET FT-422	1	
50	STRAP	2	
51	TERMINAL BOX C 100427	1	SEE NOTE #2

TL-12448-3

Figure 24. Installation of Radio Set SCR-506-() in Truck, 1/4-ton, 4x4-Continued.