

UNCLASSIFIED

AD NUMBER

AD323191

CLASSIFICATION CHANGES

TO: unclassified

FROM: confidential

LIMITATION CHANGES

TO:

Approved for public release, distribution unlimited

FROM:

Distribution authorized to U.S. Gov't. agencies and their contractors; Administrative/Operational use; Oct 1960. Other requests shall be referred to Air Force Cambridge Research Labs, Hansom AFB MA.

AUTHORITY

AFCRL Ltr, 13 Nov 1961.; AFCRL Ltr, 30 Oct 1974.

THIS PAGE IS UNCLASSIFIED

UNCLASSIFIED

AD-323 191

~~CONFIDENTIAL~~

AFCRC-TR-60-134(III)

AD 323 191

DOWNGRADED AT 3 YEAR INTERVALS;
DECLASSIFIED AFTER 12 YEARS
MOD DLR 5200.10

ANTENNA CATALOG

Volume III

UNCLASSIFIED

SHIP ANTENNAS

(Title Unclassified)

October 1960

Prepared for

Electronics Research Directorate
AIR FORCE CAMBRIDGE RESEARCH
LABORATORIES

Contract AF 19(604)-4101

by

GEORGIA INSTITUTE OF TECHNOLOGY
Engineering Experiment Station

UNITED STATES AIR FORCE
CAMBRIDGE RESEARCH CENTER
TECHNICAL LIBRARY
DOCUMENT ROOM

NOTICE: Although each page of this document is unclassified, the collection is important to the national defense of the United States within the meaning of the espionage laws, Title 18, U.S.C., Sections 793 and 794. The transmission or revelation of a substantial portion of this collection to an unauthorized person is prohibited by law.

UNCLASSIFIED

~~CONFIDENTIAL~~

K-11.574-13

A-4731
CjB

~~CONFIDENTIAL~~
UNCLASSIFIED

AFCRC-TR-60-134(III)

ANTENNA CATALOG

Volume III

SHIP ANTENNAS

(Title Unclassified)

October 1960

Approved:

Maurice W. Long

Maurice W. Long, Chief
Electronics Division

Submitted:

Robert J. Kyle

Robert J. Kyle, Head
Technical Information Section

Approved:

James E. Boyd

James E. Boyd, Director
Engineering Experiment Station

Prepared by

GEORGIA INSTITUTE OF TECHNOLOGY
Engineering Experiment Station

DOWNGRADED AT 3 YEAR INTERVALS;
DECLASSIFIED AFTER 12 YEARS.
DOD DIR 5200.10

~~CONFIDENTIAL~~
UNCLASSIFIED

K-11.574-13

TABLE OF CONTENTS

	Page
INTRODUCTION	1
EQUIPMENT FUNCTION	3
ANTENNA TYPE	7
ANTENNA DATA	
AB Antennas	15
AN Antennas	15
AS Antennas	20
AT Antennas	69
Mark Antennas	85
MK Antennas	89
MN Antennas	90
MX Antennas	90
OA Antennas	90
RF Antennas	95
Navy Number Antennas	96
Nonmilitary Nomenclature Antennas	194
INDEXES	
Antenna Type	202
Associated Equipment	205
Equipment Function	210
Stock Number	213
Frequency	215

This catalog contains 219 pages.

UNCLASSIFIED

INTRODUCTION

This publication is one of six catalogs produced in order to collect data on all types of military antennas in readily accessible form. The idea for such a collection originated with the Interservice Antenna Group (better known as ISAG). ISAG is an informal group from Air Force, Army, and Navy laboratories who meet periodically to discuss mutual antenna problems. With the endorsement of this group, funds were allocated by the Air Force and the Army, and the work was initiated under Air Force administration as Contract AF 19(604)-4101.

The specific responsibilities included the collection of electrical and mechanical data on all military antennas which had been assigned a Department of Defense nomenclature number. In addition, other antennas which were expected to receive a nomenclature number within a year were included along with selected industrial antennas.

The primary objective for the catalogs is to supply information which will facilitate the procurement of existing antennas and reduce duplication in antenna development. The design of duplicate antennas appears to be more widespread than would be expected. A review of these catalogs shows quite clearly that whips and other simple antennas have been redesigned repeatedly. Even the more complex antennas frequently duplicate earlier designs. Many factors influence the design, and many of the apparent duplications are unquestionably well justified. However, at least part of the time, redesign is a result of lack of knowledge about the existence of earlier models. It is hoped that these catalogs will greatly reduce the number of antenna duplications.

No matter how much information is given in a catalog, it will always be necessary to have additional data in order to determine the suitability of a particular antenna for a specific purpose. Thus, the catalogs will serve primarily as a guide to more complete reference material and to development agencies and manufacturers of antennas which may prove suitable for a new application.

The entire set of catalogs prepared under this contract is as follows:

- Volume 1 - Missile Antennas (Secret):
missile antennas of all types
and all security classifications.
- Volume 2 - Ground Antennas (Confidential)*:
unclassified ground antennas.
- Volume 3 - Ship Antennas - (Confidential)*:
unclassified shipboard and buoy
antennas.

*The volumes of unclassified antennas are classified as "confidential" because they contain a large collection of data on defense systems. Consequently, although each page of Volumes 2, 3, and 4 (except in the indexes) is unclassified, the publications themselves are classified.

Volume 4 - Aircraft Antennas (Confidential)*: unclassified airborne antennas.

Volume 5 - Confidential Ground, Ship, and Aircraft Antennas (Confidential): all confidential military antennas except those intended specifically for missile use.

Volume 6 - Secret Ground, Ship, and Aircraft Antennas (Secret): all secret military antennas except those intended specifically for missile use.

Antennas are listed as "ground", "ship", etc., according to available information about their installations. Hence, many antennas are listed in more than one volume. No attempt was made to make extra listings or cross references.

Antennas are identified by numbers or names. The most common identification number is the Joint Nomenclature System ("AN System"). It is explained in JANAP-196, and on the Communication-Electronic Nomenclature Subpanel's summary sheet A 56190. Many Navy antennas were assigned Navy numbers such as Mark 25, Mod 6A; 66010; 69001; and 66ABL. Navy Model designation is described in the Navy Stock List of the Electronics Supply Office, Bureau of Ships Section - Part III. The catalogs omit manufacturer identification letters which precede Navy numbers. A third major type of identification consists of manufacturers' designations. As a group, the manufacturers' identifications can be considered arbitrary. Manufacturers' antennas are grouped together at the back of the text.

Each catalog consists of a collection of data arranged in order of nomenclature number, and an appendix with five separate indexes. Indexes are provided for stock number, antenna type, associated equipment, function of associated equipment, and frequency. The antenna types and the functions of associated equipment are defined in the sections immediately following this introduction.

In both the text and the indexes the identifying numbers are arranged first of all in alphabetical order and secondly in numerical order. Thus, 66AWG precedes 66010, but both numbers are preceded by AS-307. The indexes were prepared by machine. Because of complications in programming the computer, ordering in the index is accomplished with the characters justified from the left. Thus, in the index the AS-3 is followed by the AS-355 before the AS-4 is given.

In the Department of Defense nomenclature system, many antennas are given a number as a simple antenna, but they are part of a more complex system. In most such cases, the antenna is cross-referenced from its basic number to the nomenclature number for the system with which it is associated, e.g., antenna AT-178/APS-42 is cross-referenced to the AS-428(*)/APS-42.

UNCLASSIFIED

Several types of equipment have antenna-type nomenclature numbers even though they do not fit our definition of antennas. Most notably, sonar transducers and antenna simulators used in training devices have such numbers. Equipment of these types are not included in the catalogs.

Originally, it was planned to eliminate all "obsolete" antennas from these catalogs. However, as the work progressed it was found that some antennas which are declared obsolete in a publication from one military service are still in use in other services. In fact, some cases were observed in which it appeared that antennas were still being procured by one military service even though they were declared obsolete by another. Consequently, very little consideration was given to a statement that an antenna is obsolete. An additional reason for including such antennas is the fact that although an antenna may be obsolete for one purpose, all or part of it may be useful in another application.

The information recorded in these catalogs has come largely from Department of Defense publications. In some cases, reports or other authoritative information were unavailable on certain antennas and the Department of Defense nomenclature cards were used. Other information sources include military antenna catalogs, personal interviews with employees of the Department of Defense and correspondence with antenna manufacturers. Each of these sources have contributed substantially to the information recorded. The references cited at the end of each antenna section generally give sources of additional information about the antenna. An attempt was made to list the most authoritative sources of information used in compiling the data, as well as any documents which present conflicting data. If conflicting data could be resolved by logical considerations, no comment was made in the catalogs. When no reason for preference of one choice was obvious, the fact was noted.

No specific date can be set as the cut-off date for data included in these catalogs. In August 1960, a final survey was made of nomenclature cards which had been issued in the categories AS, AT, and OA. At the same time a review was also made of applications for nomenclature numbers in these same categories. Unfortunately, 100 confidential and 25 secret nomenclature cards were identified, but copies have not yet been forwarded to this project. Most information which was collected directly from manufacturers was supplied during the spring of 1960. A considerable portion of the missile information was obtained directly from development people concerned with the electronic equipment for the missiles. Much of this information was collected late in the summer of 1960.

The Department of Defense nomenclature cards have proved very helpful in the preparation of these catalogs. However, they have also proved to be the most frequent source of unclear

descriptions and incorrect data. It seems extremely desirable for project officers who are responsible for the submission of the nomenclature applications to go to greater lengths to assure the correctness of the information. In many cases, it seems that the antenna nomenclature cards were written by individuals who were not familiar with antennas.

It should be noted that frequency, range, and some of the other data given for individual antennas actually represent characteristics of the associated equipment rather than characteristics of the antennas.

The information compiled on missile antennas is considerably less complete than that given in the other volumes. There are four main reasons. In the first place, because missile work is generally fluid and developmental in nature, there frequently is no assurance that the antenna cited is a production item rather than a development item. A further consequence of the fluid state of missile work is that documentation is often incomplete or nonexistent. In addition, missile antennas are usually an integral part of the missile itself. The performance of an antenna in one missile will be quite different from its performance in another missile. Finally, missile people are extremely reluctant to release information about their equipment.

A very large proportion of the information desired for review during the preparation of these catalogs was not available. Also, it is noted that a fairly large number of antennas -- probably about 200 -- are developed or modified each year. Thus, it would seem desirable for some organization to undertake the compilation of a catalog of antennas annually, while the information is still accessible. Such a compilation probably should show both antennas which have been developed and antennas which have gone into production. Apparently, there is little interest in military circles for such a compilation at the present time. However, the authors of these catalogs believe that such reports would reduce the time required for the acquisition of critical equipment, and they would provide current information regarding antennas under development.

Many individuals have made substantial contributions to the preparation of these catalogs. However, Mr. J. L. Allen and Mr. D. F. Eagle deserve to be singled out for their efforts in the preparation of this information. Other people who have made major contributions are P. T. Hutchison, S. T. Alford, E. N. Bone, A. P. Jensen, S. G. Baxter, D. T. Paris, J. G. Holey, T. A. Lewis, C. C. Boykin, J. J. Curtis, R. E. Moseley, M. E. Blair, F. W. Woodside, and J. T. Dawson. Also, Mr. R. L. Passow of H. R. B. Singer provided many illustrations and data. Finally, it is appropriate to extend special thanks to Mr. C. E. Ellis, CRRDM, Air Force Cambridge Development Division, who has been project officer for this project.

UNCLASSIFIED

EQUIPMENT FUNCTION

Most antennas can be used with equipments which perform many different functions. Often, however, an antenna is best known in terms of the equipment with which it is associated. The functions of equipments used with the antennas listed in this catalog can be described by one or more of the terms defined below. These terms are used throughout the catalog and an equipment function index will be found in the appendices.

The coverage of this catalog is restricted to electronic equipment. Sonic, infrared, and optical devices are not included, even those with "antenna" nomenclature numbers.

Altimeter: A term for electronic devices that determine altitude by measuring the time required for radio energy to travel from an aircraft or space vehicle to the earth and back; both pulse techniques and frequency modulation are used.

Approach Control: This term includes the following types of landing systems:

- A. Beam approach systems that usually consist of localizer and glidepath beams, and marker beacons, all of which operate independently of the aircraft. Approach information is analyzed on the aircraft. Pulse and CW techniques are used.
- B. Surface-controlled approach systems that usually consist of a search radar system, a precision radar system (azimuth and elevation), and a communication system, all located on the surface. Approach data is analyzed on the surface and directions are relayed to the aircraft.
- C. Beacon approach systems that usually consist of localizer and glide-path beams which operate only when interrogated by an aircraft.

Beacon: A generic term used when the term "IFF" or "Radar, Beacon" is not applicable and the device in question is not a part of a navigation system. The term, when used, refers to devices that radiate signals, which can be used to identify and/or locate the point from which the signal originated; e.g., a device aboard a pilotless carrier that transmits a signal to a remote installation to aid in tracking the pilotless carrier.

Bombing: A term for equipments used for locating targets, determining an appropriate course for the bomb run, and determining the bomb-release point.

Carrier Control Approach (CCA): See "Approach Control".

Combat Information Center (CIC): See "Search, Air", or "Search, Surface".

Communications: Self-descriptive.

Countermeasures: A generic term used only when one of the more specific terms for countermeasures

functions cannot be used. The term refers to devices that in some manner deal with enemy signals.

Countermeasures, Deception: A term for devices used to mislead the enemy; e.g., a device that produces a spurious response in an enemy radar system.

Countermeasures, Direction Finding: A term for devices that determine the directions of arrival of enemy signals.

Countermeasures, Homing: See "Countermeasures, Direction Finding".

Countermeasures, Jamming: A term for devices used to jam enemy electronic equipment.

Countermeasures, Monitoring: A term for devices whose function is passive detection and/or intelligence monitoring of enemy signals.

Countermeasures, Search: A term for devices used to detect enemy signals, but not make bearing determination.

Direction Finding: A generic term used only when a more specific term ("Countermeasures, Direction Finding" or "Navigation, Direction Finding") cannot be used.

Dummy Load: Not included in the catalog. The term refers to circuit elements that are used to simulate the loading effect of an antenna.

Early Warning: See "Search, Air".

Fire Control: A term for devices used for gun laying and associated functions, including aircraft interception (AI).

Ground Control Approach (GCA): See "Approach Control".

Ground Control Intercept (GCI): See "Search, Surface" or "Search, Air" and "Height Finding".

Guidance: A generic term used only when a more specific term ("Guidance, Command" or "Guidance, Passive Homing", for instance) cannot be used. The term refers to devices that direct and regulate pilotless carriers.

Guidance, Active Homing: A term for the devices that comprise pilotless carrier homing systems for which the equipment for illuminating and perceiving targets and for computing the control signals are all located on the pilotless carrier.

Guidance, Beamrider: A term for the devices that comprise pilotless carrier guidance systems for which the equipment for illuminating, perceiving and tracking the target are externally located; i.e., surface installations or "mother" vehicles. The pilotless carrier detects its position relative to the radar beam tracking the target and computes control signals to keep itself centered in the beam.

UNCLASSIFIED

EQUIPMENT FUNCTION (Continued)

Guidance, Command: A term for devices that comprise pilotless carrier guidance systems in which externally derived control signals are relayed to the pilotless carrier. See also "Guidance, Quasi-Active Homing".

Guidance, Passive Homing: A term for the devices that comprise homing systems for pilotless carriers that home on a source of energy originating at the target. The detection equipment and the control-signal computing equipment are located on the pilotless carrier.

Guidance, Quasi-Active Homing: A term for the devices that comprise pilotless carrier homing systems for which the equipment for illuminating the target is located on the pilotless carrier, and the equipment for perceiving the target and for computing control signals is externally located; i.e., surface installations or "mother" vehicles. The computed control signals are relayed to the pilotless carrier.

Guidance, Semi-Active Homing: A term for the devices that comprise pilotless carrier homing systems for which the equipment for illuminating the target is externally located; i.e., surface installations or "mother" vehicles, and the equipment for perceiving the target and computing the control signals is located on the pilotless carrier.

Guidance, Surface Reference: A term for the devices that comprise pilotless carrier guidance systems which utilize the technique of comparing the relative position of the pilotless carrier to a number of fixed surface transmitters; e.g., Loran guidance.

Gun Laying: See "Fire Control".

Height Finding: A term for radar systems that are used to determine the relative height of an airborne object with respect to the antenna for the system. If the height finder is a part of a surface-controlled approach system, see "Approach Control".

IFF ("Identification, friend or foe"): A term for systems utilizing coded-beacon techniques to distinguish between friendly and unfriendly units.

Meteorological Measurement: A term for devices used to measure meteorological parameters; e.g., wind velocity or temperature.

Navigation: A generic term used only when a more specific term ("Navigation, Direction Finding" or "Navigation, Surface Reference") cannot be used.

Navigation, Direction Finding: A term for direction finding devices that are used to determine the relative bearing of a transmitter from the vehicle on which the device is located.

Navigation, Glide Path: See "Approach Control".

Navigation, Homing: See "Navigation, Direction Finding" if the device is for use by a piloted

carrier. If the device is for use by a pilotless carrier, see the guidance term which is applicable; e.g., "Guidance, Active Homing".

Navigation, Localizer: See "Approach Control".

Navigation, Loran: See "Navigation, Surface Reference" if the device is used by a piloted carrier. See "Guidance, Surface Reference" if the device is used by a pilotless carrier.

Navigation, Marker Beacon: See "Approach Control" if the device is a part of a landing-control system; otherwise, see "Navigation, Surface Reference".

Navigation, Radio Range: See "Navigation, Surface Reference".

Navigation, Shoran: See "Navigation, Surface Reference" if the device is for use by a piloted carrier. See "Guidance, Surface Reference" if the device is for use by a pilotless carrier.

Navigation, Surface Reference: A term for the devices comprising navigational-aid systems in which reference signals are broadcast from surface installations to be utilized by properly equipped vehicles. Examples of this type of system are Loran, Shoran, VOR, TACAN, and marker beacons, when they are not used in "Approach Control" systems or in pilotless carrier guidance systems.

Navigation, TACAN: See "Navigation, Surface Reference".

Navigation, VOR: See "Navigation, Surface Reference".

Radar Beacon: A term for devices that, upon reception of suitable interrogating signals, automatically respond with another signal.

Radar, Fighter Intercept: See "Fire Control".

Radar, Final Approach: See "Approach Control".

Relay: See "Telemetry".

Remote Control: A term for devices used in controlling remote items of equipment. See "Guidance" or a subdivision of "Guidance" for devices used in pilotless carrier guidance systems.

Search: A generic term used only when "Search, Air" or "Search, Surface" cannot be used.

Search, Air: A term for devices used for airborne-target detection and location.

Search, Surface: A term for devices used for surface-target detection and location.

Sounding: See "Meteorological Measurement".

Speed Indicator: Self-descriptive.

UNCLASSIFIED

EQUIPMENT FUNCTION (Continued)

Tail Warning: A term for devices used specifically to detect objects approaching an airborne vehicle from the rear.

Telemetry: A term for devices which involve measuring and/or processing and transmitting data to a remote point; e.g., a system that measures fuel consumption for a pilotless carrier and transmits the information to a remote installation for evaluation.

Television: Self-descriptive.

Test: Self-descriptive.

Tracking: A generic term used only when a more specific term; e.g., "Fire Control", cannot be used. The term, when used, refers to devices used for "continuously" determining the position of moving objects (usually missiles or satellites).

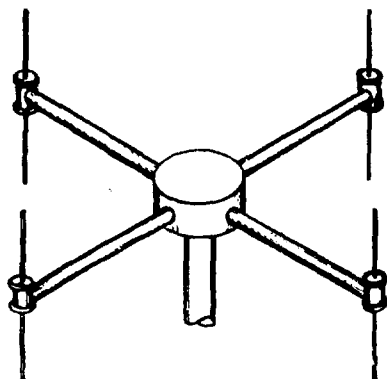
Training: Self-descriptive.

UNCLASSIFIED

ANTENNA TYPES

The terminology used to identify various types of antennas is, to say the least, not standardized. To avoid confusion, the terms used in this catalog are listed and defined below. An index of antenna types will be found in the appendices.

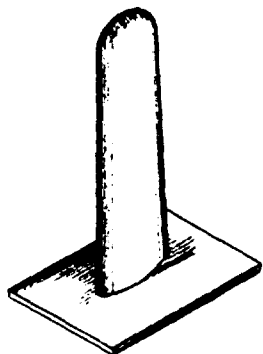
Adcock: The Adcock, in its simplest form, consists of a rotating assembly composed of a pair of vertical elements separated by one-half wavelength or less, and connected in phase opposition to produce a radiation pattern having the shape of a figure-of-eight. Variations of the basic Adcock technique include fixed crossed-Adcocks with goniometers and multielement Adcocks (4, 8, or even 16 vertical elements). The "sense" of the bearing may be resolved by an associated nondirectional antenna in the system.



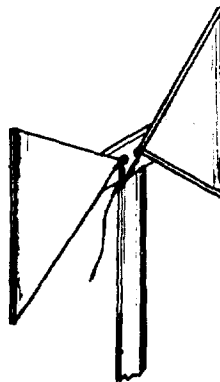
Amplitude Modulating: The amplitude modulating antenna is a narrow aperture antenna configuration consisting of a stationary, vertical element about which a reflector is rotated at high speed. The reflector may be either a multielement parasitic one or a continuous sheet. The rotating reflector amplitude modulates the received signal at the rotation frequency. The resulting rotating horizontal radiation pattern is essentially cardioid in shape.

Biconical: See "Conical".

Blade: A streamlined stub. See also "Stub".

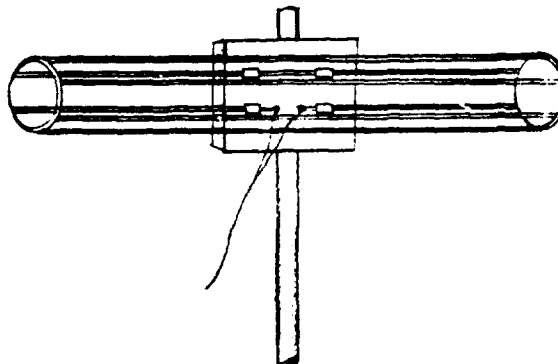


Bow Tie (or butterfly antenna): A dipole antenna having flat triangular-shaped radiating elements.

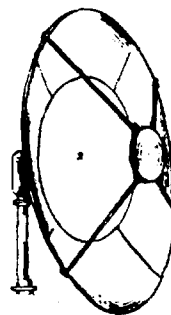


Broadside Array: An antenna array whose maximum radiation is approximately perpendicular to the axis or plane of the array.

Cage Dipole: A broadband dipole in which the radiating elements are arranged in a cylindrical fashion and connected at their ends (i.e., an extension of the folded dipole principle) with one of the elements fed at its center.



Cassegrainian: An antenna consisting of a small convex hyperboloidal reflector mounted in front of a large concave paraboloidal reflector with the primary feed located behind the paraboloidal reflector. This arrangement effectively increases the focal length of the paraboloidal reflector.

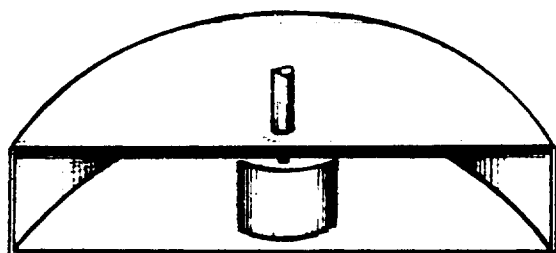


UNCLASSIFIED

ANTENNA TYPES (Continued)

Cavity: Refers to a cavity-backed slot. See "Slot".

Cheese: A parabolic-cylinder reflector enclosed by two parallel plates mounted perpendicular to the cylinder and spaced so that propagation in more than one mode is possible in the desired direction of polarization. See also "Pillbox" antenna.

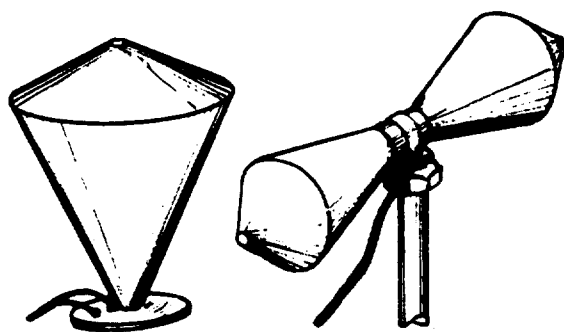


Circular Array: An antenna array composed of vertical radiators arranged in concentric circles. Directivity can be controlled by space phasing of the elements or by adjusting the phase of the excitation currents.

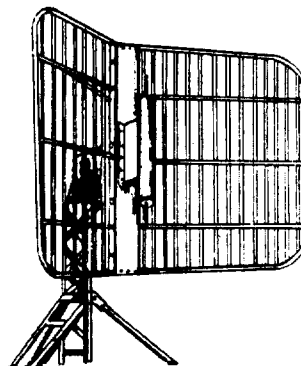
Coaxial Dipole: See dipole.

Collinear Array: An antenna array in which the elements of the array are arranged end-to-end along the same line.

Conical: A broadband antenna in which the driven element(s) is conical in shape. Many varieties of conical antennas exist; examples are discone, collinear biconical, and "V" biconical antennas.

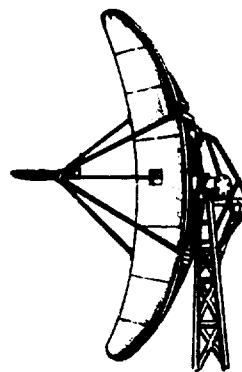


Corner Reflector: A reflector consisting of flat conducting sheets (or grids of parallel conductors) intersecting at an angle or corner. Dihedral corners are commonly used for transmitting and receiving; trihedral and tetrahedral corners are frequently used to increase radar cross sections.



Counterpoise: A network of wires extending outward from the base of an antenna and suspended above and usually insulated from the earth. The antenna is "grounded" to the counterpoise (artificial ground) instead of the earth (used especially when the antenna is located over ground of poor conductivity). When soil of relatively good conductivity is available, a similar arrangement of wires is sometimes buried beneath the antenna to improve the ground connection.

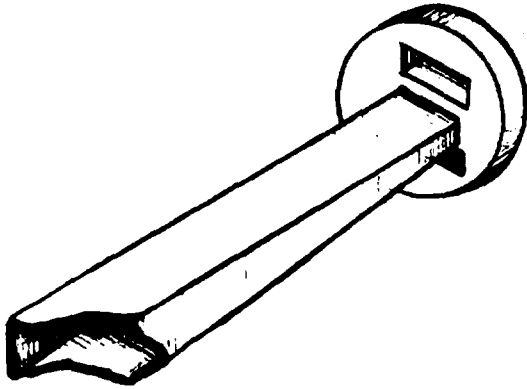
Cut Paraboloidal Reflector: A reflector formed in the shape of a section cut from a paraboloid of revolution. The term "orange peel" is often applied to this type of reflector.



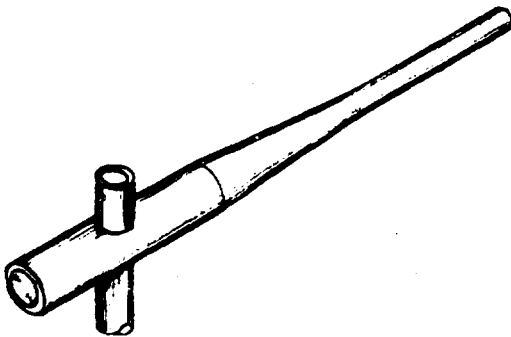
UNCLASSIFIED

ANTENNA TYPES (Continued)

Cutler: The Cutler feed is a waveguide dual-aperture rear feed which essentially splits the energy in the waveguide into two branches that are folded back on themselves so that the energy is radiated towards the reflector from two slots.

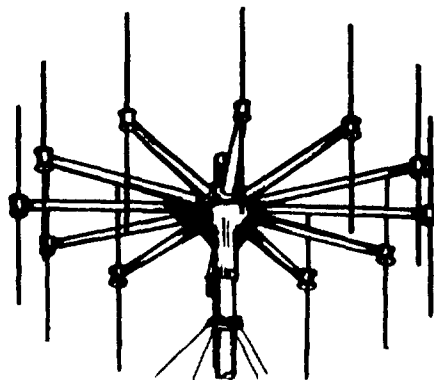


Dielectric Rod: An end-fire directional dielectric antenna consisting of a dielectric rod (usually tapered) fed from a section of waveguide.



Dipole (or doublet): A linear radiator, usually fed at the center, producing a maximum of radiation in a plane normal to its axis.

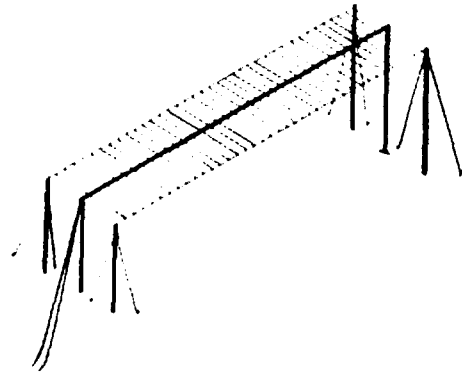
Doppler: An antenna which possesses the equivalent of a moving antenna of some form of simu-



lation of this antenna motion by the rapid sequential switching of fixed antenna elements. The Doppler is usually a medium aperture antenna (1 to 5λ).

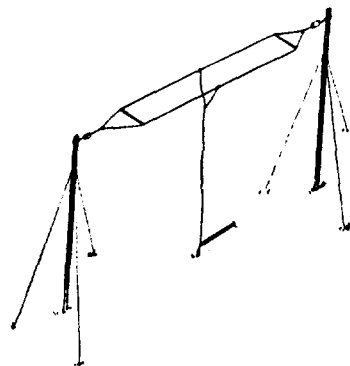
End-Fire Array: An antenna array whose maximum radiation is approximately along the axis of the array.

Fishbone: An antenna composed of a series of coplanar elements arranged in collinear pairs and loosely coupled to a balanced transmission line.



Flat-Screen Reflector: A flat reflecting surface; the surface may be of the continuous, slotted, or mesh type.

Flat Top: The flat-top antenna is a low-frequency antenna utilizing a folded top to increase the effective length of the vertical radiator from which the principle radiation occurs.



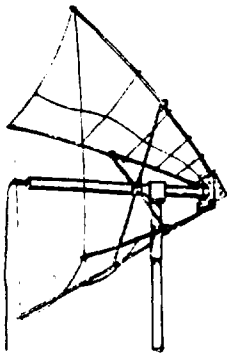
UNCLASSIFIED

ANTENNA TYPES (Continued)

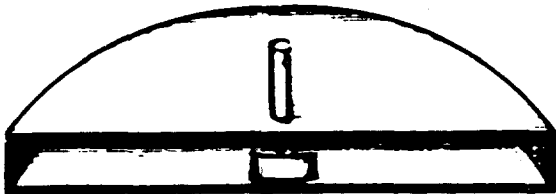
tion generated by the rotation of a parabola around its axis. The reflecting surface may be solid, perforated, mesh, or slatted.

Parasitic Array: An array consisting of a driven element(s) and an element(s) that, though not directly connected to the antenna feed line, affects the radiation pattern of the antenna.

Periodic Structure: Broadband (frequency range about 10 to 1 or greater) antenna structures for which the input impedance and radiation patterns vary periodically with frequency, and the variation of electrical characteristics is negligible over a single period. An example of this type is the logarithmic periodic antenna.



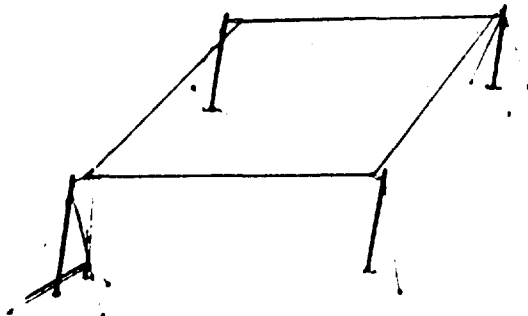
Pillbox: A parabolic-cylinder reflector enclosed by two parallel plates mounted perpendicular to the cylinder and spaced so that only one mode of propagation is possible in the desired direction of polarization. See also "Cheese" antenna.



Probe: An electrically small antenna used to explore radiation fields.

Rectangular Array: A directive array of vertical elements arranged in rectangular fashion.

Rhombic: A long wire type antenna in which the radiating elements comprise the sides of a

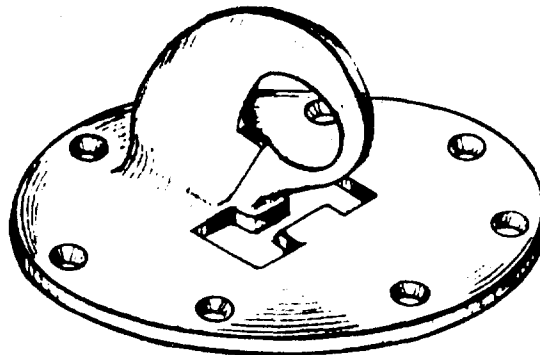


rhombus. The rhombic antenna may be properly terminated (nonresonant and unidirectional) or unterminated (resonant and bidirectional).

Rhombic, Multiwire: A rhombic antenna which instead of having a single conductor for each leg has several to improve impedance characteristics.

Rod: An electrically short radiating element (often $1/4 \lambda$ long), having a relatively large length-to-circumference ratio, that is designed to mount on an external ground plane.

Scimitar: A broadband antenna that looks like the blade of a scimitar.



Sleeve Dipole: The sleeve dipole antenna is a balanced form of the stub sleeve antenna (i.e., the image of the antenna is replaced by a real antenna of identical configuration and the ground plane is removed). See also Stub Sleeve.

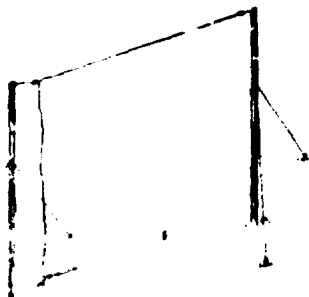


UNCLASSIFIED

ANTENNA TYPES (Continued)

free space. The horn may be of a number of types; e.g., sectorial horn-flared in one plane, pyramidal horn-flared in both planes.

Inverted "L": An antenna, used primarily at low frequencies, that utilizes the technique of bending a portion of the radiating element into a horizontal position to keep the current maximum on the vertical portion as high as possible, which increases the radiation efficiency.

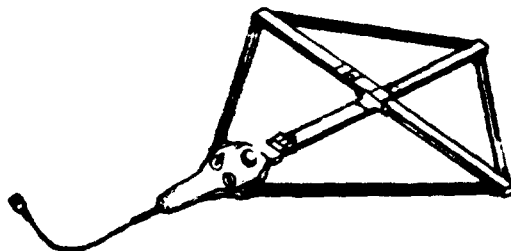


Inverted "U": A type of doublet antenna used primarily at low frequencies. The ends are folded down to increase the radiation efficiency. Primary radiation is from the horizontal portion of the doublet.

Lens: A microwave device that focuses electromagnetic energy by controlling the electrical path length of the energy through the lens. Lenses may take several forms; e.g., dielectric, artificial dielectric, metal plate, and geodesic lens.

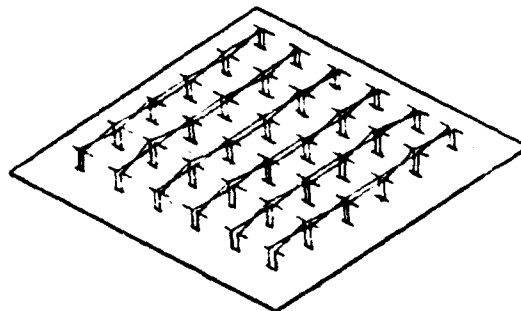
Long Wire: A linear antenna of considerable length in comparison with the operating wavelength (e.g., fixed wire or trailing wire).

Loop: An antenna consisting of one or more complete turns of conductor that form a closed circuit in which a circulatory current flows. The loop may be wound in several shapes (e.g., circular, square, triangular) and may be shielded.



Matroska: A planar array of dipoles backed by a flat reflecting surface. The reflecting surface may be continuous or made up of discrete elements (e.g., slats, rods, or mesh). This

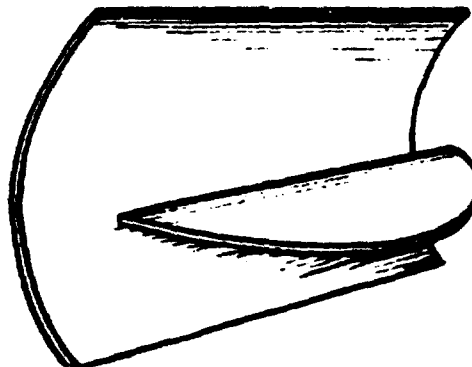
type of antenna is sometimes called a billboard antenna or a bedspring array.



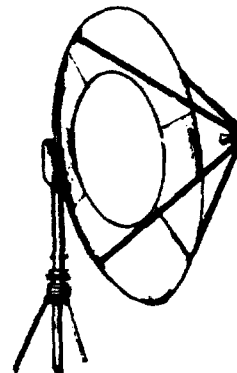
Mesopole: A ground-plane analogy of a dipole. This term is assigned only when more specific identification (e.g., "Tower", "Whip", or "Rod") cannot be determined.

Orange Peel: See "Cut Paraboloidal".

Parabolic-Cylinder Reflector: A reflector whose reflecting surface is in the form of a portion of a surface generated by moving a parabola perpendicular to the plane in which it lies. The reflecting surface may be solid, perforated, mesh, or slatted.



Paraboloidal Reflector: A reflector whose reflecting surface is in the form of a surface of revolu-

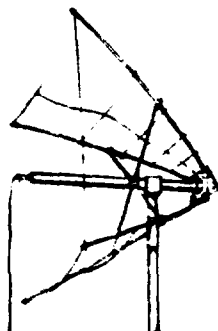


ANTENNA TYPES (Cont'd.)

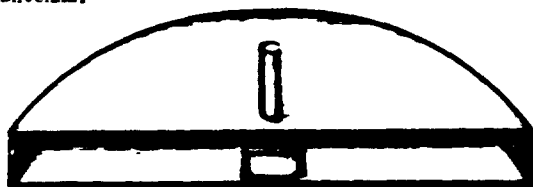
tion generated by the rotation of a parabola around its axis. The reflecting surface may be solid, perforated, mesh, or slatted.

Parasitic Array: An array consisting of a driven element(s) and an element(s) that, though not directly connected to the antenna feed line, affects the radiation pattern of the antenna.

Periodic Structure: Broadband (frequency range about 10 to 1 or greater) antenna structures for which the input impedance and radiation patterns vary periodically with frequency, and the variation of electrical characteristics is negligible over a single period. An example of this type is the logarithmic periodic antenna.



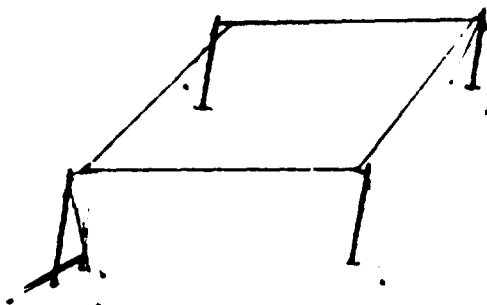
Pillbox: A parabolic-cylinder reflector enclosed by two parallel plates mounted perpendicular to the cylinder and spaced so that only one mode of propagation is possible in the desired direction of polarization. See also "Cheese" antenna.



Probe: An electrically small antenna used to explore radiation fields.

Rectangular Array: A directive array of vertical elements arranged in rectangular fashion.

Rhombic: A long wire type antenna in which the radiating elements comprise the sides of a

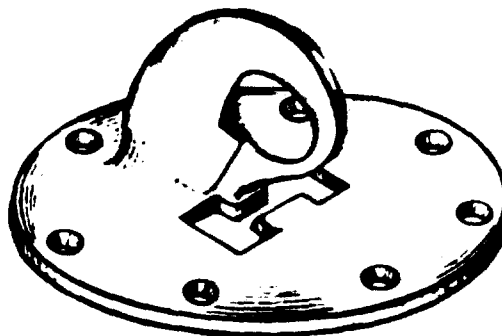


rhombus. The rhombic antenna may be properly terminated (nonresonant and unidirectional) or unterminated (resonant and bidirectional).

Rhombic, Multitwe: A rhombic antenna which instead of having a single conductor for each leg has several to improve impedance characteristics.

Rad: An electrically short radiating element (often $1/4 \lambda$ long), having a relatively large length-to-circumference ratio, that is designed to mount on an external ground plane.

Scimitar: A broadband antenna that looks like the blade of a scimitar.



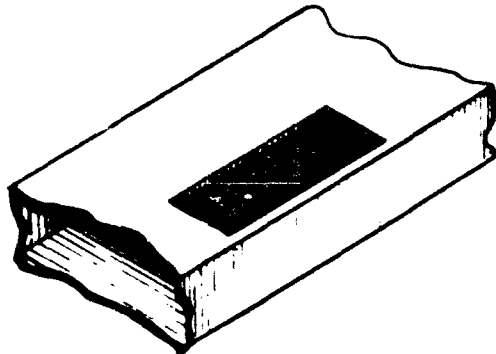
Sleeve Dipole: The sleeve dipole antenna is a balanced form of the stub sleeve antenna (i.e., the image of the antenna is replaced by a real antenna of identical configuration and the ground plane is removed). See also Stub Sleeve.



UNCLASSIFIED

ANTENNA TYPES (Continued)

Slot: A radiating element formed by cutting a slot in a conducting surface.



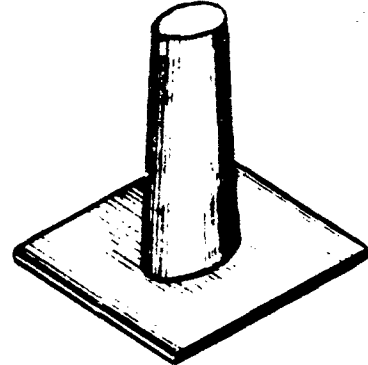
Spiral: A broadband (frequency range about 10 to 1 or greater) antenna named for its geometrical configuration.



Stacked Array: The term, stacked array, refers to the general category of antenna arrays where the radiating elements (e.g., slots, dipoles, turnstile, etc.) are stacked on or near but not collinearly along the axis of the array. The stacked array, in general, produces a beam that is omnidirectional in the plane perpendicular to the axis of the array.

Structural: An antenna which is an integral part of the structure of an aircraft; e.g., a section of the vertical stabilizer of an aircraft that is insulated from the remaining portion and fed by a coaxial cable.

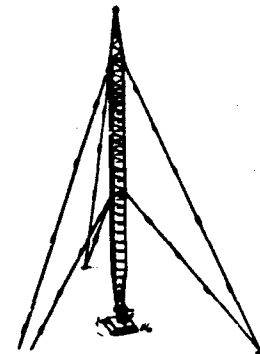
Stub: An electrically short radiating element (often $1/4 \lambda$ long), having a relatively small length to circumference ratio, that is designed to mount on an external ground plane (e.g., $1/4 \lambda$ stub mounted on an aircraft, using the skin of the aircraft as a ground plane).



Stub Sleeve: The stub sleeve antenna is a type of unbalanced antenna which mounts over a ground plane and incorporates a conducting collar on tube (i.e., the sleeve), the exterior of which is utilized as a radiating element and the interior as the outer conductor of the coaxial feed line. The length of the sleeve may be any portion of the total length of the antenna.

Tail Cap: See "Structural".

Tower: A low-frequency antenna constructed in the form of a tower. The tower itself is the radiating element.



Turnstile: An antenna consisting of two dipoles mounted perpendicular to each other with their axes intersecting at their mid-points. The dipoles are usually fed by currents that are equal in magnitude and in phase quadrature.

"V": An arrangement of conductors in the shape of a V with the two legs of the V being fed equal amounts of power of opposite phase. The "V" antenna may be properly terminated (non-resonant and unidirectional) or unterminated (resonant and bidirectional).

UNCLASSIFIED

ANTENNA TYPES (Continued)

Whip: A simple (usually vertical) antenna consisting of a slender whip-like conductor, often made adjustable and/or retractable, mounted on an insulator and usually fed at or near its base.

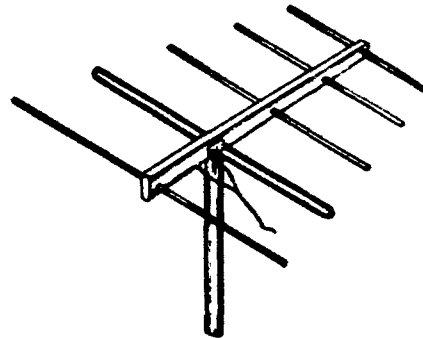


Wing Cap: See "Structural".

Wullenweber Array: A multipurpose antenna in which the equivalent pattern of a mechanically rotating planar array of elements is obtained by means of properly phasing and switching a num-

ber of fixed antenna elements symmetrically arranged in a circle. The array includes a circle of discrete reflectors or a continuous reflector placed within the antenna ring. The Wullenweber array is usually a wide aperture (greater than 5λ) antenna.

Yagi: A parasitic array consisting of a driven element and a number of parallel parasitic elements; normally the Yagi antenna consists of one reflector, one driven element, and one or more directors.



UNCLASSIFIED

ANTENNA AB-871/U

FREQUENCY: VHF and "L" bands, 88 - 400 mc.

TYPE: Dipole.

BEAM DATA:

Polarization - Adjustable to any angle from horizontal to vertical.

TUNING/MATCHING DEVICES: The antenna has a balun with an adjustable shorting bar. A frequency-calibrated measuring tape is furnished for determining the lengths of dipole elements and the position of the shorting bar.

INSTALLATION: Ground or shipboard.

ASSOCIATED EQUIPMENT: Radio Interference Measuring Set AN/URM-47A. Equipment function - test.

MANUFACTURER: Stoddart Aircraft Radio Co., Inc.

REFERENCE:
NAVSHPIS 93147.



ANTENNA for AN/SPN-2

FREQUENCY: UHF band, 1500 mc.

TYPE: Paraboloidal reflector.

DESCRIPTION: The antenna consists of a paraboloidal reflector 48 inches in diameter and 14 inches deep. The AN/SPN-2 uses two of these antennas. They are mounted at each end of the AN/SPN-3 antenna and 5 feet from it. The reflectors are oriented so that they point 10° to the right of dead astern and are elevated 5°.

BEAM DATA:

Half-power beamwidth - Vertical - 12°.
Horizontal - 17°.

INSTALLATION: Shipboard, aircraft carriers, mounted 5 feet below the flight deck.

ASSOCIATED EQUIPMENT: Radar set AN/SPN-2. Equipment function - approach control.

COGNIZANT AGENCY: U. S. Navy.

REFERENCE:
U. S. Navy Bureau of Ships, Antenna Data Sheets, Shipboard Antenna Details, Chapter 5, NAVSHIPS 900121(A), (Jan. 1, 1959). CONFIDENTIAL.



ANTENNA for AN/SPS-16(XN-1)

FREQUENCY: UHF band, 1250 - 1350 mc.

TYPE: Cut paraboloidal reflector.

DESCRIPTION: This antenna is used for both radar and IFF transmission and reception. Its approximate overall dimensions are 193 by 101 by 108 inches.

BEAM DATA:

Half-power beamwidth - Vertical - 13°.
Horizontal - 4°.

SCAN DATA: The antenna can be rotated either manually at 0 to 2-1/2 revolutions per minute or automatically at 5 to 15 revolutions per minute.

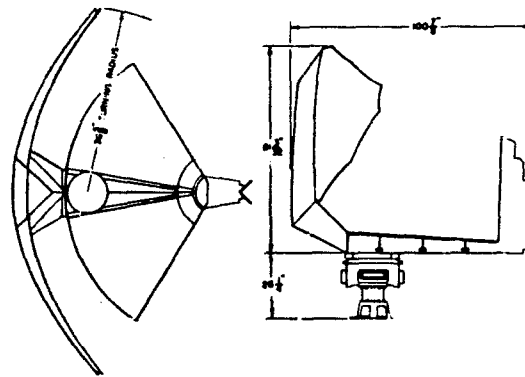
INSTALLATION: Shipboard.

ASSOCIATED EQUIPMENT: Radar set AN/SPS-16. Equipment function - search and IFF.

COGNIZANT AGENCY: U. S. Navy.

REFERENCE:
U. S. Navy Bureau of Ships, Antenna Data

Sheets, Shipboard Antenna Details, Chapter 5, NAVSHIPS 900121(A), (Jan. 1, 1959). CONFIDENTIAL.



Antenna for AN/SPS-16(XN-1)



UNCLASSIFIED

ANTENNA for AN/SPS-35

FREQUENCY: SHF band, 5500 - 5600 mc.

TYPE: Cut paraboloidal reflector.

DESCRIPTION: The antenna, transmitter, and receiver of Radar Set AN/SPS-35 are an integral unit. The antenna consists of a cut paraboloidal reflector probably fed by a flared waveguide horn feed. The assembly is 52 inches high with a 52-inch swing circle. The total weight of the unit is 140 pounds.

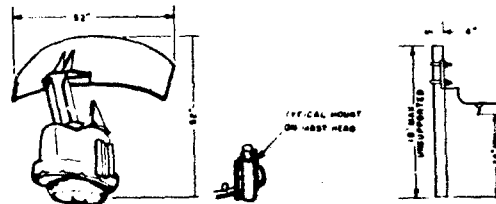
INSTALLATION: Shipboard, small vessels.

ASSOCIATED EQUIPMENT: Radar Sets AN/SPS-35 and AN/SPN-21. Equipment function - search, surface (navigation).

MISCELLANEOUS: Antenna-Receiver-Transmitter AS-923/SPS-35 is apparently another unit used with Radar Set AN/SPS-35.

REFERENCE:

U. S. Navy Bureau of Ships, Antenna Data Sheets, Shipboard Antenna Details, Chapter 5, NAVSHIPS 900121(A), (Jan. 1, 1959). CONFIDENTIAL.



Antenna for AN/SPS-35

ANTENNA GROUP AN/SRA-3

MAJOR COMPONENTS: Antenna AT-252/SR and Antenna Coupler CU-226/SR.

FREQUENCY: HF and VHF bands, 20-50 mc.

TYPE: Whip.

DESCRIPTION: AT-252/SR is a whip antenna used for receiving or transmitting. It is not separable or collapsible, but it may be cut to various lengths for use at particular frequencies. The antenna has an input impedance of 50 ohms and is fed by RG-8/U or RG-10/U coaxial cable. The antenna is mounted by means of holes through a circular base plate and is supported and insulated by a glazed ceramic bowl attached to the baseplate. The maximum diameter of the whip is about 1 inch. The antenna weighs 25 pounds.

TUNING/MATCHING DEVICES: The antenna length may be cut for a particular range of frequencies as follows: 20 - 28 mc ... 125 inches; 27 - 40 mc ... 89 inches; 39 - 50 mc ... 58 inches.

INSTALLATION: Shipboard.

ASSOCIATED EQUIPMENT: RF Monitor AN/URM-50. Equipment function - probably test. Radio Sets SCR-300, SCR-508, SCR-510, SCR-608, SCR-610, and SCR-628. Equipment function - communications.

MISCELLANEOUS: AT-252/SR is also a part of Antenna Group AN/SRA-17(XG-1).

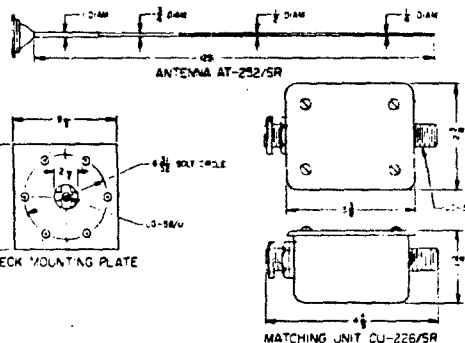
COGNIZANT AGENCY: U. S. Navy.

MANUFACTURERS: White Tuning Corporation, Navy contract N0bar-52582; Engineering and Research Corporation; National Company, Incorporated.

STOCK NUMBERS: AN/SRA-3 ... Federal Stock Number N 5985-254-7185; AT-252/SR ... Federal Stock Number N 5985-254-7184, and U. S. Navy N 16-A-54463-5150.

REFERENCES:

- 1) U. S. Navy Bureau of Ships, Antenna Data Sheets, Shipboard Antenna Details, Chapter 5, NAVSHIPS 900121(A), (Jan. 1, 1959) CONFIDENTIAL.
- 2) R. Fulper, Jr., et al., The Communication Antenna System on the USS Northampton (ECLC-1), Rpt. No. 4641. Washington, D.C.: Naval Research Laboratory, (Feb. 10, 1956). ASTIA Rpt. No. AD 88101. CONFIDENTIAL.
- 3) U. S. Department of Defense Nomenclature Card.



AN/SRA-3

UNCLASSIFIED

ANTENNA AN/SRA-10 (XG-1)

FREQUENCY: HF band, 4 - 27 mc.

TYPE: Monopole.

DESCRIPTION: The antenna is a small, top-loaded monopole antenna supported by a standard NT-61475 twelve-inch deck insulator. The top-loading disk is 12 inches in diameter and mounts horizontally. An 18-inch ground plane is installed beneath the insulator when the antenna is mounted so that no natural ground plane, such as a metal deck, exists. The antenna is fed by RG-11/U transmission line. The antenna is 22 inches tall and 18 inches in diameter (including the ground plane). It weighs 61.5 pounds.

TUNING/MATCHING DEVICES: A remote tuner is connected between the antenna and the receiver. It is probably located at the operating position.

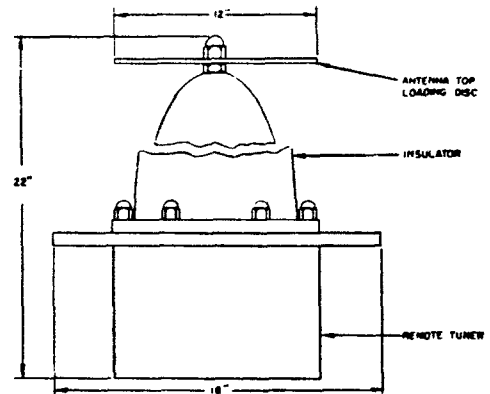
INSTALLATION: Shipboard.

ASSOCIATED EQUIPMENT: The antenna is used with modified RBC receivers. Equipment function - communications.

REFERENCES:

- 1) U. S. Navy Bureau of Ships, Antenna Data Sheets, Shipboard Antenna Details, Chapter 5, NAVSHIPS 900121(A), (Jan. 1, 1959).
CONFIDENTIAL.

- 2) R. Fulper and others, The Communication Antenna System on the USS Northampton (ECLC-1), Report No. 4641. Washington, D. C.: Naval Research Laboratory, (Feb. 10, 1956), ASTIA Report No. AD 88101. CONFIDENTIAL.
- 3) U. S. Navy Bureau of Ships, Instruction Book for Miniature Receiving Antenna AN/SRA-10 (XG-1), NAVSHIPS 91555, (Nov. 1, 1951). UNCLASSIFIED.



AN/SRA-10(XG-1)

ANTENNA GROUP AN/SRA-17 (XG-1)

MAJOR COMPONENTS: Antenna AT-252/SR, antenna tuner, and antenna control group.

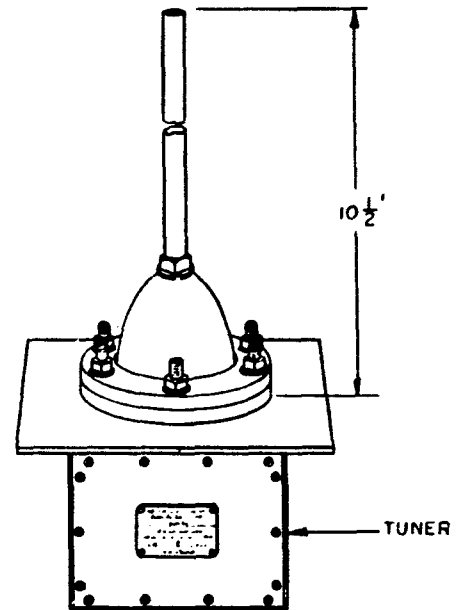
FREQUENCY: VLF, LF, and MF bands, 0.014 - 0.6 mc; HF and VHF bands, 20 - 50 mc. (See Miscellaneous).

TYPE: Whip.

DESCRIPTION: Antenna AT-252/SR is a 10-1/2-foot vertical, stainless-steel whip. (See Antenna Group AN/SRA-3). The antenna is fed by RG-12/U transmission line connected through the antenna tuner. It is advisable to keep the cable length less than 150 feet, but satisfactory performance will be obtained with lengths up to 300 feet. The total weight (including the tuner) is 22-1/2 pounds.

The antenna is mounted on a twelve-inch-square steel plate which forms the top of the r-f tuner housing. For optimum performance the antenna should be mounted in the clear near the top of a mast, king post, stack, or other vertical portion of the superstructure. The antenna control is mounted in the room with the radio receiver being used. This unit provides tuning of the antenna from the operating position.

TUNING/MATCHING DEVICES: An antenna tuner is part of the antenna equipment.



AN/SRA-17(XG-1)

UNCLASSIFIED

INSTALLATION: Shipboard.

view of the size of the antenna.

MISCELLANEOUS: At the lower band of frequencies listed above (0.014 - 0.6 mc) the antenna is a very small fraction of a wavelength. The lower band of frequencies may be in error, or as indicated by the nomenclature, this antenna group may be experimental in nature. The upper band of frequencies listed (20 - 50 mc) was taken from other references pertaining to AT-252/SR. This frequency range seems reasonable in

REFERENCES:

- 1) U. S. Navy Bureau of Ships, Antenna Data Sheets, Shipboard Antenna Details, Chapter 5, NAVSHIPS 900121(A), (Jan. 1, 1959). CONFIDENTIAL
- 2) NAVSHIPS 92299.

ANTENNA GROUP AN/UPA-22(*)

MAJOR COMPONENTS: 1 AT-352/UPA-22(*) antenna, 1 AB-447/UP antenna pedestal, 1 AM-1369/UP electronic control, 1 MX-1263/UPA test probe, 1 PU-343/U motor-generator, 1 F-300/UPA-22(*) low-pass filter, and 1 F-301/UPA-22(*) low-pass filter.

MISCELLANEOUS: AN/UPA-22(*) denotes AN/UPA-22 and AN/UPA-22A. The two models are interchangeable. AN/UPA-22A rotates at a higher speed than AN/UPA-22. AT-352/UPA-22 is also part of Antenna Group AN/GPA-3.

FREQUENCY: UHF band, 1010 - 1110 mc.

COGNIZANT AGENCY: U. S. Navy, code 820 and 823.

TYPE: Array of slots.

MANUFACTURER: AN/UPA-22 ... Hazeltine Electronics Corp., contract NObsr 59595; AT-352/UPA-22 ... Memco, contracts NObsr 49188 and NObsr 52331.

DESCRIPTION: Antenna AT-352/UPA-22(*) consists of an array of twelve slot radiators. It is 9-1/4 inches long and 2-57/64 inches wide. The antenna is made of aluminum and is enclosed in a watertight case and is mounted by means of four 3/8-inch, 24-thread holes on 6-1/2-inch by 2-1/8-inch mounting centers. It is used with a 52-ohm coaxial transmission line.

REFERENCES:

- 1) Memco Drawing AE1489J (AT-352/UPA-22).
- 2) BuShips Specification MIL-A-15673A (AN/UPA-22).
- 3) BuShips Specification A-46 (AT-352/UPA-22).
- 4) U. S. Department of Defense Nomenclature Card.

SCAN DATA: The antenna has a motor-driven rotating mechanism.

ASSOCIATED EQUIPMENT: Various radar sets. Equipment function - IFF.

ANTENNA GROUP AN/UPA-23(*)

MAJOR COMPONENTS: 1 AT-353(*)/UPA-23 antenna, 1 AB-447/UP antenna pedestal, 1 AM-1369/UP electronic control, 1 MX-1263/UPA test probe, 1 PU-343/U motor-generator, 1 F-299/UPA-23(*) filter and 1 F-301/UP filter.

MISCELLANEOUS: AN/UPA-23(*) denotes AN/UPA-23 and AN/UPA-23A. The two models are interchangeable. AN/UPA-23A rotates at a higher speed than AN/UPA-23.

FREQUENCY: UHF band, 1010 - 1110 mc.

COGNIZANT AGENCY: U. S. Navy, code 820.

TYPE: Array of slots.

MANUFACTURERS: AN/UPA-23 ... Hazeltine Electronics Corp., contract NObsr-59595; AT-353/UPA-23 ... Memco, contracts NObsr-49188 and NObsr-52331.

DESCRIPTION: Antenna AT-353(*)/UPA-23 consists of an array of six slot radiators. It is 9-1/4 inches long and 2-57/64 inches wide. The antenna is made of aluminum and is enclosed in a watertight case. It is mounted by means of four 3/8-inch, 24-thread holes on 6-1/2-inch by 2-1/8-inch mounting centers. A 52-ohm coaxial line provides the feed.

REFERENCES:

- 1) Memco Drawing AE1488E (AT-353/UPA-23).
- 2) BuShips Specification MIL-A-15673A (AN/UPA-23).
- 3) BuShips Specification A-46 (AT-353/UPA-23).
- 4) U. S. Department of Defense Nomenclature Card.

SCAN DATA: The antenna has a motor-driven rotating mechanism.

ASSOCIATED EQUIPMENT: Various radar sets. Equipment function - IFF.

UNCLASSIFIED

ANTENNA for AN/URC-4

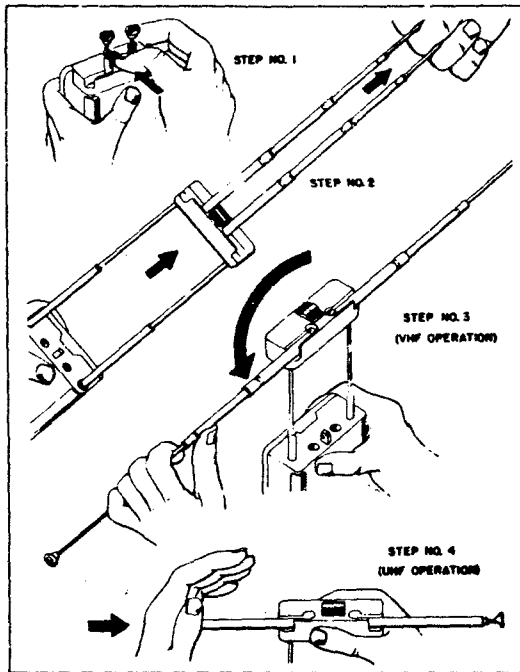
FREQUENCY: VHF band, 120 - 130 mc and 240 - 260 mc.

TYPE: Dipole.

DESCRIPTION: The antenna is a telescopic dipole which is an integral part of Radio Set AN/URC-4.

ASSOCIATED EQUIPMENT: Radio Set AN/URC-4.
Equipment function - communications for rescue operations.

REFERENCE:
U. S. Air Force, Handbook Operation and Service Instructions for Radio Set AN/URC-4, TO 12R2-2URC4-1, (Aug. 10, 1950 - revised Dec. 15, 1958). UNCLASSIFIED.



Antenna for AN/URC-4



ANTENNA for AN/URC-11

FREQUENCY: VHF band, 238 - 263 mc.

Equipment function - communication for rescue operations.

TYPE: Whip.

DESCRIPTION: The antenna is a nine-section telescopic whip which is an integral part of Radio Set AN/URC-11.

REFERENCE:
U. S. Air Force, Operation Instructions for Radio Set AN/URC-11, Technical Manual, TO 12R2-2URC11-1, (Aug. 15, 1959). UNCLASSIFIED.

ASSOCIATED EQUIPMENT: Radio Set AN/URC-11.



ANTENNA AN-44-A

FREQUENCY: MF band, 1.7 to 2.75 mc.

and -D, Technical Manual, TM 11-244, (April 1945). UNCLASSIFIED.

TYPE: Vertical whip.

INSTALLATION: Ground or shipboard.

2) Department of the Army, Directory of Signal Corps Equipment - Radio Communication Equipment, Technical Manual, TM 11-187A TO 16-1A-2, (Aug. 1950). CONFIDENTIAL. MODIFIED HANDLING.

ASSOCIATED EQUIPMENT: Radio Set SCR-281-().
Equipment function - communication.

STOCK NUMBER: Probably Signal Corps 2A244A.

REFERENCES:

1) War Department, Radio Sets SCR-281-A,-B,

UNCLASSIFIED

ANTENNA ASSEMBLY AN-154

FREQUENCY: Additional information is available in the confidential document listed below as Reference 1).

able in the confidential document listed below as Reference 1).

TYPE: Mattress antenna.

ASSOCIATED EQUIPMENT: Radio Equipments RC-184 and RC-145-A, and Radio Sets SCR-545-A and SCR-584. See Reference 1).

DESCRIPTION: The antenna consists of a three-element array of vertical dipoles mounted in a horizontal line 18 inches in front of a flat reflector. The dipoles are spaced 36 inches apart. The reflector, which is 90 inches by 40 inches, is constructed of a tubular frame with vertical wires spaced 2-1/2 inches apart. Interconnecting cables, a junction box, and a matching section are mounted on the back of the reflector. The antenna weighs approximately 40 pounds.

COGNIZANT AGENCY: CESL-1031.

STOCK NUMBER: Probably Signal Corps 2A275-154.

REFERENCES:

- 1) Department of the Army, Ground Radar and Recognition Equipment, Directory of Signal Corps Equipments, TM 11-487C, (Jan. 1951). CONFIDENTIAL, MODIFIED HANDLING.
- 2) U. S. Department of Defense Nomenclature Card.

BEAM DATA:

Polarization - Vertical.

INSTALLATION: Additional information is avail-



ANTENNA ASSEMBLY AS-23/AP

MAJOR COMPONENTS: Dipole, parasitic reflector, connector, and mounting bracket.

meter Test Set TS-117/GP. Equipment function - test.

FREQUENCY: UHF, SHF bands, 1500 - 5200 mc; VSWR < 5 from 2400 to 3400 mc on 51-ohm coaxial cable.

MISCELLANEOUS: Status - obsolete.

COGNIZANT AGENCY: U. S. Navy.

TYPE: Dipole, parasitic array.

MANUFACTURERS: Marathon Co., procurement contract NXsa-2589; Hazeltine Electronics Corp, procurement contract M0sr-39332.

DESCRIPTION: The array consists of a dipole, parasitic reflector, connector, and mounting bracket. The connector fits Navy Type 49268 r-f plug. The dipole is 1/2 wavelength long and has an input impedance of 51-ohms. Overall dimensions are approximately 3-13/16 inches by 2-3/16 inches by 1-1/8 inches.

STOCK NUMBER: Federal Stock Number 5985-093-5619.

REFERENCES:

- 1) Bureau of Aeronautics, Handbook of Airborne Antenna Data, CO 16-1-517, (July 1, 1953). CONFIDENTIAL.
- 2) Signal Corps drawing SC-D-12021.
- 3) MIT Radiation Laboratory Specification and drawing B-2657A.

BEAM DATA:

Polarization - Same as that of radar set under test (linear).

ASSOCIATED EQUIPMENT: Phantom Target TS-48/AP, Detector Amplifier Assembly AN/UPA-1A, Wave-



ANTENNA ASSEMBLY AS-37/SPT-4

FREQUENCY: UHF band, 340-400 mc (rated frequency, 375 mc); VSWR < 2 between 340 and 400 mc on a 50-ohm line.

duce a narrow frequency band and a somewhat unsymmetrical radiation pattern. The dipole is mounted with the radiating elements vertical so that vertical polarization results. The overall antenna is 19-1/2 inches high, 12-3/4 inches long, and 4-3/4 inches wide; it weighs 10-1/2 pounds.

TYPE: Dipole.

DESCRIPTION: The antenna consists of a dipole attached to and fed by an unbalanced-to-balanced conversion unit. The mounting base is shaped so as to be easily fastened to a mast and at the same time to act as an untuned reflector. The thin dipole and unbalanced-to-balanced conversion unit pro-

BEAM DATA:

Polarization - Vertical.

INSTALLATION: Shipboard.

UNCLASSIFIED

ASSOCIATED EQUIPMENT: Radar Set AN/SPT-4.
Equipment function - countermeasures, jamming.

COGNIZANT AGENCY: U. S. Navy.

MANUFACTURERS: Delco Radio Division, Navy contract NXs-29022.

STOCK NUMBER: Federal Stock Number N 5985-369-5390.

REFERENCES:

- 1) Andrew W. Alford, Antennas for RCM, 411-100. Cambridge, Mass.: Radio Research Laboratory, Harvard University, (Nov. 1, 1944). UNCLASSIFIED.
- 2) Andrew W. Alford, Antennas for RCM, 411-100A. Cambridge, Mass.: Radio Research Laboratory, Harvard University, (Dec. 3, 1945). UNCLASSIFIED.



ANTENNA ASSEMBLY AS-45(*)/APR-6

FREQUENCY: SHF band, 3000 - 6000 mc; VSWR < 5.

TYPE: Dual waveguide horn.

DESCRIPTION: The antenna is a Y-shaped antenna which is formed by the branching of a single waveguide into two sections. The two sections bend over large radii so that the horns on the ends of the waveguides point in opposite directions. Each horn is turned so it can receive vertical and horizontal polarization. The waveguide portion of the antenna feeding the horns is RG-49U. The antenna has an impedance-matching section in its base for adapting the RG-49U waveguides to the RG-48U waveguide feed system. The length of the RG-48U waveguide feed should not exceed 200 feet. The antenna is 68-1/2 inches wide and 36 inches high. It weighs 60 pounds.

BEAM DATA:

Gain - 15 db; front-to-back ratio: 20:1.
Polarization - Horizontal, vertical, or both.

INSTALLATION: Shipboard, remote from S-band radars.

ASSOCIATED EQUIPMENT: Radar Set AN/APR-6, Radar Receiver AN/SPR-2. Equipment function - countermeasures.

MISCELLANEOUS: AS-45(*)/APR-6 denotes both the unlettered and A models. The two models are similar except that the A model includes a removable horn and waveguide adaptor section. Several of these antennas were issued by Galvin with the nomenclature AS-45/SPR-2. According to Reference 1), AS-45/APR-6 is obsolete.

COGNIZANT AGENCY: ARL and U. S. Navy.

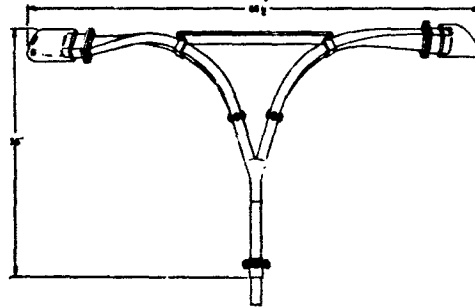
MANUFACTURERS: Galvin Manufacturing Corporation, Navy contracts NXs-27558, NXsr-84986,

and NXsr-87790; American Brass Company, Army contract PR-44198.

STOCK NUMBERS: Signal Corps 21264-45, and Federal Stock Number F 5985-257-3211.

REFERENCES:

- 1) Partial List of Obsolete Antennas, Wright Air Development Division, WCLRS-6, (Mar. 14, 1957). UNCLASSIFIED.
- 2) U. S. Navy Bureau of Ships, Antenna Data Sheets, Shipboard Antenna Details, Chapter 5, NAVSHIPS 900121(A), (Jan. 1, 1959). CONFIDENTIAL.
- 3) Albert F. Lopez, Robert C. Moore, Directory of Intercept and Analysis Equipment, Report No. 63.6-F. State College, Pennsylvania: Haller, Raymond and Brown, Inc., (Oct. 31, 1956). SECRET.
- 4) U. S. Department of Defense Nomenclature Card.



AS-45(*)/APR-6



ANTENNA ASSEMBLY AS-45/SPR-2

See AS-45(*)/APR-6.

UNCLASSIFIED

ANTENNA ASSEMBLY AS-49/TPT-1

FREQUENCY: VHF band, 90-150 mc; VSWR<2 on 50-ohm coaxial cable.

TYPE: Dual corner reflector fed by a pair of cylindrical dipoles.

DESCRIPTION: The antenna is a dual corner reflecting W-shaped screen fed by two cylindrical dipoles. The dipoles may be moved with respect to the screen and clamped rigidly in any desired position. The overall reflector is approximately 72 inches high, 134 inches long, and 50 inches deep. The antenna weighs 208 pounds.

BEAM DATA:

- Gain - 10 to 12 db over a half-wave dipole.
- Half-power beamwidth - See beam patterns.
- Beam type - Unidirectional.
- Polarization - Vertical or horizontal depending on the mounting position.

TUNING/MATCHING DEVICES: A balun is used for impedance matching.

INSTALLATION: Ground or shipboard.

ASSOCIATED EQUIPMENT: AN/TPT-1, AN/APT-1, AN/APT-3, and AN/ART-3. Equipment function - countermeasures, jamming; or communications.

MISCELLANEOUS: AS-49/TPT-1 is similar to AS-50/TPT-1.

COGNIZANT AGENCY: RRL, Harvard University.

MANUFACTURER: American Moninger, procurement contract 493-MPD-45.

REFERENCES:

- 1) Andrew W. Alford, Antennas for RCM, 411-100A. Cambridge, Mass.: Radio Research Laboratory, Harvard University, (Dec. 3, 1945). UNCLASSIFIED.
- 2) U. S. Department of Defense Nomenclature Card.



ANTENNA ASSEMBLY AS-50/TPT-1

FREQUENCY: VHF band, 140 - 210 mc.

ASSOCIATED EQUIPMENT: AN/APT-1, AM-18/APT. Equipment function - communications; or countermeasures, jamming.

MISCELLANEOUS: The AS-50/TPT-1 is similar to AS-49/TPT-1 but is designed to operate at a higher frequency.

REFERENCES:

- 1) Andrew W. Alford, Antennas for RCM, 411-100A. Cambridge, Mass.: Radio Research Laboratory, Harvard University, (Dec. 3, 1945). UNCLASSIFIED.
- 2) U. S. Department of Defense Nomenclature Card.



ANTENNA ASSEMBLY AS-56/SPR-1

FREQUENCY: VHF band, 75 - 300 mc; VSWR < 5 on 50-ohm line.

TYPE: Dipole.

DESCRIPTION: The antenna consists of two sheet-metal cylinders, separated electrically but joined mechanically by a wooden cylinder and clamped to a wooden block. The antenna is supported by a one-inch steel tube about 28 inches high. A balun conversion unit is used to match the balanced antenna to a 50-ohm unbalanced line. The antenna is 66 inches wide and 33-3/4 inches high. The diameter of the dipole elements is 4 inches. The assembly weighs 31 pounds.

BEAM DATA:

Polarization - Horizontal.

INSTALLATION: Shipboard or ground.

ASSOCIATED EQUIPMENT: Radar Set AN/SPR-1,

AN/APR-4, SCR-587 or similar equipment. Equipment function - probably countermeasures, search.

COGNIZANT AGENCY: U. S. Navy.

MANUFACTURERS: Calvin Manufacturing Company, Navy contract number NXsa-27923 and NXsa-31230.

STOCK NUMBER: Federal Stock Number N5985-254-7128.

REFERENCES:

- 1) Andrew W. Alford, Antennas for RCM, 411-100A. Cambridge, Mass.: Radio Research Laboratory, Harvard University, (Dec. 3, 1945). UNCLASSIFIED.
- 2) U. S. Department of Defense Nomenclature Card.



UNCLASSIFIED

ANTENNA ASSEMBLY AS-57/SPR-1

FREQUENCY: VHF and UHF bands, 225 - 1000 mc;
VSWR < 5 on 50-ohm line.

TYPE: Dipole.

DESCRIPTION: The antenna is a balanced-dipole receiving antenna. Each element of the dipole is in the form of two cones which are joined at their bases and the dipole is fed at the center (at the junction of two apexes). The elements are made of sheet metal and are held in place by a cylindrical plexiglass nacelle. The dipole is supported by a two-inch steel tube which is attached to a flac plate. A balun conversion unit is used to match the balanced antenna to a 50-ohm unbalanced line. The antenna is 20-7/8 inches high and 18 inches wide; it weighs 22-1/4 pounds.

BEAM DATA:

Beam type - Similar to typical dipole pattern.
Polarization - Linear, depends on orientation of antenna.

INSTALLATION: Shipboard or ground.

ASSOCIATED EQUIPMENT: Radar Set AN/SPR-1, AN/APR-4, SCR-587, or similar equipment. Equipment function - probably counter-measures, search.

MISCELLANEOUS: AS-239/TPQ-1 is the same as AS-57/SPR-1 except for the mounting.

COGNIZANT AGENCY: U. S. Navy.

MANUFACTURER: Galvin Manufacturing Company, Navy contract number NXsa-27923 and NXsa-31230.

REFERENCES:

- 1) Andrew W. Alford, Antennas for RCM, 411-100A. Cambridge, Mass.: Radio Research Laboratory, Harvard University, (Dec. 3, 1945). UNCLASSIFIED.
- 2) U. S. Department of Defense Nomenclature Card.



ANTENNA ASSEMBLY AS-71/SPT-2

FREQUENCY: UHF band, 450 - 720 mc; VSWR < 2 on 50-ohm line.

TYPE: Corner reflector fed by a dipole.

DESCRIPTION: The assembly consists of an adjustable-length dipole mounted in a corner reflector. The reflector is made of a number of parallel rods whose axes are parallel to the axis of the dipole. The dipole is fed by a balun to match the balanced antenna to an unbalanced line. The antenna is terminated in a type N connector. It is approximately 19 inches high, 23 inches long, and 25 inches deep. It weighs 15-1/2 pounds.

BEAM DATA:

Gain - 10 db above a half-wave dipole.
Polarization - Linear, depends on mounting position.

SCAN DATA: Does not scan but can be oriented so that the axis of dipole is vertical, horizontal, or at an angle of 45°. The antenna can be adjusted through 360° in the plane perpendicular to the dipole.

TUNING/MATCHING DEVICES: The lengths of the dipole elements are adjustable, and a balun is included.

INSTALLATION: Ground or shipboard.

ASSOCIATED EQUIPMENT: Radio Transmitters AN/SPT-6, AN/APT-5, and AN/APT-9. Equipment

function - communications. Transmitting Equipment 52ADN(OCV-1). Equipment function - test.

MISCELLANEOUS: The antenna may be safely used with the transmitters mentioned as they have rated outputs of 5 to 20 watts. The antenna should not be used with CPMR, TDY, or AN/APT-4 equipment, which have rated powers of 150 watts.

COGNIZANT AGENCY: U. S. Navy.

MANUFACTURERS: Marine Radio Company and Radio Research Laboratory.

STOCK NUMBERS: Federal Stock Number N-5985-369-5394.

REFERENCES:

- 1) Andrew W. Alford, Antennas for RCM, 411-100A. Cambridge, Mass.: Radio Research Laboratory, Harvard University, (Dec. 3, 1945). UNCLASSIFIED.
- 2) U. S. Navy, Navy Stock List of the Electronics Supply Office, (Feb. 1958). UNCLASSIFIED.
- 3) U. S. Department of Defense Nomenclature Card.



UNCLASSIFIED

ANTENNA ASSEMBLY AS-82(*)/APQ-7

FREQUENCY: SHF band, 9280 - 9470 mc; VSWR < 2.0 on X-band waveguide.

TYPE: Collinear array of probe-fed dipoles.

DESCRIPTION: The antenna is a collinear array consisting of 250 dipoles which are probe-fed from the waveguide or which they are mounted. The waveguide is constructed so that its width can be periodically varied to produce electromechanical scanning of the beam. The beam is shifted due to the change in relative phase at the dipoles as the waveguide width is varied. By varying the waveguide width and by feeding the array at alternate ends, the beam can be made to sweep a 30-degree arc on each side of its center. The antenna is used on aircraft and on ships. The antenna is placed in a streamlined vane, Antenna Housing CW-23/APQ-7, and mounted below and transverse to the fuselage of heavy bombers when used with bombing equipment. The array is also used as a line feed for parabolic-cylinder reflectors in a CCA system in its shipboard use. The array is about 16 feet wide, 6 inches deep, and 3 inches high and weighs about 150 pounds.

BEAM DATA. (AS-82/APQ-7)

Gain - 32.5 db as a collinear array antenna, 38.0 db when used with a parabolic-cylinder reflector.

Half-power beamwidth - Horizontal - 0.4°.

Vertical - about 20° with the reflector.

Polarization - Horizontal.

SCAN DATA: The antenna has electromechanical scanning through an arc 30° on each side of the mechanical aim of the antenna at a rate of about 45° per second.

INSTALLATION: Shipboard or airborne.

ASSOCIATED EQUIPMENT: Radio Set AN/APQ-7.

Equipment function - bombing.

Radar Set AN/SFW-3. Equipment function - approach control.

MISCELLANEOUS: AS-82(*)APQ-7 denotes two models, AS-82/APQ-7, and AS-82A/APQ-7. The two models are mechanically and electrically interchangeable, but the A model has improvements in the r-f switch-block assembly, antenna drive-motor circuit, etc. The A model is also higher than the other; it is about 11 inches high instead of 3 inches for AS-82/APQ-7. The other dimensions are about the same.

COGNIZANT AGENCY: AS-82/APQ-7 ... ARL-3119, AS-82A/APQ-7 ... ARL-47-211.

MANUFACTURERS: Western Electric Company, PR 44-104, PR 44-2932, and PR 44-3046, 2034 DAY-45-RA.

STOCK NUMBER: Signal Corps 2A264-82 and 2A264-82A.

REFERENCES:

- 1) H. T. Friis, W. D. Lewis, Radar Antennas, Bell System Technical Journal, Vol. 20, No. 2. New York, N.Y.: American Telephone and Telegraph Co. (Apr. 1947). UNCLASSIFIED
- 2) Bureau of Aeronautics, Handbook of Airborne Antenna Data, CO 16-1-517, (July 1, 1953). CONFIDENTIAL.
- 3) U. S. Navy Bureau of Ships, Antenna Data Sheets, Shipboard Antenna Details, Chapter 5, NAVSHIPS 900121(A), (Jan. 1, 1959). CONFIDENTIAL.
- 4) Air Force Specification 471-5017.
- 5) Western Electric Specification X-66173B.

ANTENNA ASSEMBLY AS-118/CPN-6

FREQUENCY: SHF band, 9310 mc (transmitting antenna) and 9320 - 9430 mc (receiving antenna).

TYPE: Two arrays of slots.

DESCRIPTION: The antenna has separate receiver and transmitter sections. The receiver section is mounted on top of the transmitter section. Each section is composed of 2 rows of 7 probe-fed slots uniformly spaced around a cylindrical waveguide section. Both arrays are enclosed in a common plastic cylindrical housing.

BEAM DATA:

Gain - 4.8 db.

Half-power beamwidth - Vertical - 30°.

Beam type - Omnidirectional in azimuth.

Polarization - Horizontal.

TUNING/MATCHING DEVICES: In the base of each antenna is a stub transformer which matches the cylindrical waveguide of the antenna to the rectangular waveguide feed.

INSTALLATION: Shipboard.

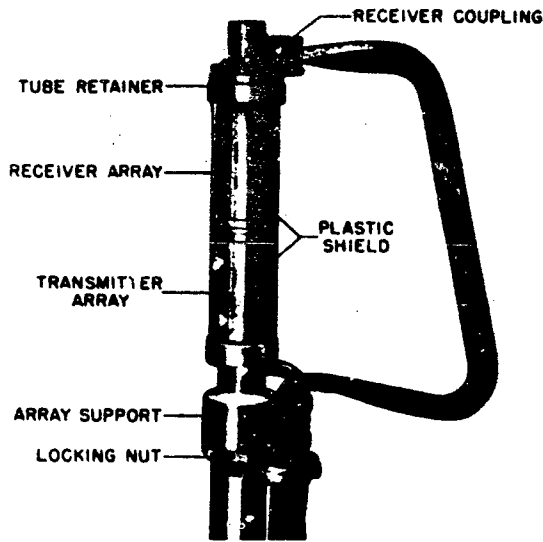
ASSOCIATED EQUIPMENT: Radio Set AN/CPN-6. Equipment function - navigation, surface reference.

MISCELLANEOUS: The nomenclature card states that the vertical beamwidth is 60°. Other references state that the vertical half-power beam width is 30°.

COGNIZANT AGENCY: U. S. Navy.

MANUFACTURER: Galvin Mfg. Co., contract X-65337, and Motorola, Inc.

UNCLASSIFIED



AS-118/CPN-6

STOCK NUMBER: Federal Stock Number F 5985-369-5556.

REFERENCES:

- 1) U. S. Air Force and Bureau of Aeronautics, Handbook of Operation and Service Instructions, AN 16-30CPN6-1, T.O. 31P5-2CPN6-1 (Oct. 1, 1952). UNCLASSIFIED.
- 2) U. S. Navy, Navy Stock List of the Electronics Supply Office, (Feb. 1958). UNCLASSIFIED.
- 3) U. S. Navy Bureau of Ships, Antenna Data Sheets, Shipboard Antenna Details, Chapter 5, NAVSHIPS 900121(A), (Jan. 1, 1959). CONFIDENTIAL.
- 4) U. S. Department of Defense Nomenclature Card.

ANTENNA ASSEMBLY AS-124/APR

FREQUENCY: VHF and UHF bands, 270 - 3000 mc;
VSWR < 5 on 50-ohm coaxial cable.

TYPE: Conical.

BEAM DATA:

Polarization - linear, depends on mounting position.

INSTALLATION: Airborne or shipboard.

ASSOCIATED EQUIPMENT: Receiving Equipment RC-160, AN/APR-1, AN/APR-2, and AN/APR-4. Equipment function - countermeasures, search.

COGNIZANT AGENCY: U. S. Navy.

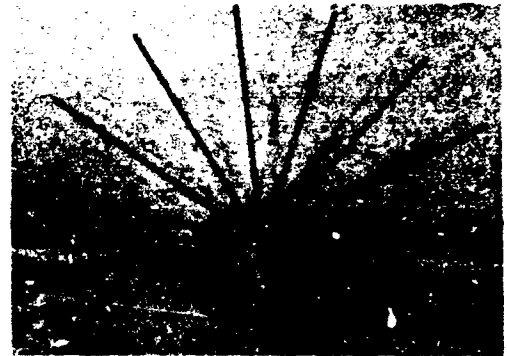
MANUFACTURER: Developed by Harvard University Radio Research Laboratories (Antenna number M801).

STOCK NUMBERS: U. S. Navy - ASO R16AN-AS124APR, and U. S. Air Force 1660-202152396.



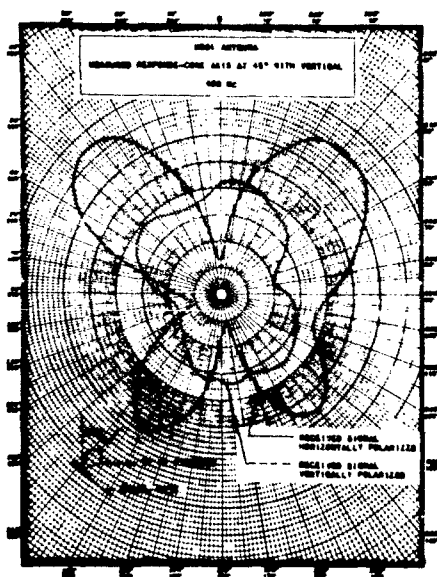
AS-124/APR

DESCRIPTION: The antenna consists of a 60-degree cone surmounted by a 90-degree cap. The overall height of the assembly is 8 inches; it is 6-1/2 inches in diameter and weighs about 2-1/2 pounds. The assembly includes a mounting base and a type N connector. The antenna can be mounted with its axis vertical, horizontal, or at any intermediate angles depending upon the polarization and radiation pattern desired. When used aboard ships, the antenna is mounted above a ground plane of radial rods.



AS-124/APR with Ground Plane

UNCLASSIFIED



AS-124/APR Response Pattern

REFERENCES:

- 1) Andrew W. Alford, Antennas for RCM, 411-100A. Cambridge, Mass: Radio Research Laboratory, Harvard University, (Dec. 3, 1945). UNCLASSIFIED.
- 2) Bureau of Aeronautics, Handbook of Airborne Antenna Data, CO 15-1-517, (July 1, 1953). CONFIDENTIAL.
- 3) U. S. Department of Defense Nomenclature Card.

.....

ANTENNA AS-136/CPA-2

FREQUENCY: S band.

TYPE: Probably two arrays of slots.

DESCRIPTION: The only available information states that this antenna is similar to the AS-118/CPN-6. The antenna is designed for mast-mounting and has separate receiving and transmitting sections.

BEAM DATA:

Half-power beamwidth - Vertical - 60°.
Horizontal - 360°.

INSTALLATION: Shipboard.

ASSOCIATED EQUIPMENT: Radar Conversion Kit AN/CPA-2().

COGNIZANT AGENCY: U. S. Navy.

MANUFACTURERS: Galvin Mfg. Co., procurement contract Nkr-53341.

REFERENCE:

U. S. Department of Defense Nomenclature Card.

.....

ANTENNA AS-145()/SPT-6

FREQUENCY: UHF band, 625 - 1250 mc; VSWR < 2.

TYPE: Corner reflector.

DESCRIPTION: The antenna consists of a corner reflector, composed of 21 spaced rods approximately 19 inches long fed by an adjustable half-wave dipole. The dipole support includes a quarter-wave balun for matching 50-ohm coaxial cable. Nomenclature card states that the antenna is 23 inches long and 25 inches deep. The antenna may be positioned vertically, horizontally, or at 45°.

BEAM DATA:

Gain - 12 db.
Polarization - Vertical, horizontal, or 45°.

TUNING/MATCHING DEVICES: Dipole is adjustable to following element lengths: 3.25 inches for 650 - 750 mc, 3.0 inches for 750 - 850 mc, and 2.75 inches for frequencies above 850 mc.

INSTALLATION: Shipboard and ground, mobile or fixed.

ASSOCIATED EQUIPMENT: Radar Transmitters AN/SPT-6, AN/APT-2, and AN/APT-5. Equipment function - countermeasures, jamming.

COGNIZANT AGENCY: U. S. Navy.

STOCK NUMBER: Signal Corps 2A264-145.

UNCLASSIFIED

REFERENCES:

- 1) Andrew W. Alford, Antennas for RCM, 411-100. Cambridge, Massachusetts: Radio Research Laboratory, Harvard University, (November 1, 1944). UNCLASSIFIED.

- 2) U. S. Department of Defense Nomenclature Card.

.....

ANTENNA ASSEMBLY AS-149/TRT-1

MAJOR COMPONENTS: 1 Antenna Mast Section MS-49, 1 Antenna Mast Section MS-50, 1 Antenna Mast Section MS-51, 1 Antenna Mast Section MS-52, 1 Mast Base MP-37, and 1 Mast Bracket MP-50.

- 2) U. S. Department of Defense Nomenclature Card.

FREQUENCY: HF and VHF bands, 29.5 - 32 mc.

TYPE: Whip.

DESCRIPTION: The antenna is a four-section whip 13-1/2 feet long and weighs 16 pounds.

BEAM DATA:

Beam type - Omnidirectional in the azimuth plane.
Polarization - Vertical.

INSTALLATION: Ground, vehicular; airborne; or shipboard.

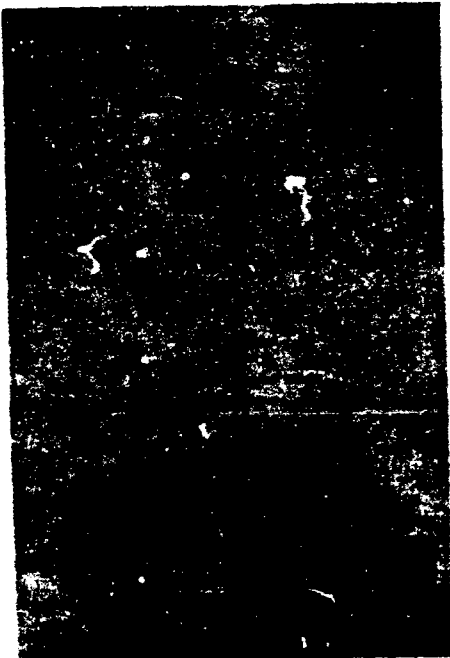
ASSOCIATED EQUIPMENT: Radio Set AN/TRT-1. Equipment function - remote control of AN/TRR-2 for detonating mines. Range when used with AN/TRR-2 - Up to 8 miles for ground location, 12 to 20 miles for shipboard location, up to 40 miles for airborne location (5,000 feet altitude).

COGNIZANT AGENCY: CESL.

STOCK NUMBER: Signal Corps 2A264-149.

REFERENCES:

- 1) U. S. Army, Radio Sets AN/TRT-1 and AN/TRR-2, Technical Manual, TM 11-269, (October 1949). UNCLASSIFIED.



AS-149/TRT-1

.....

ANTENNA ASSEMBLY AS-176(U)/UPX

FREQUENCY: Additional information is available in the secret document listed below as Reference 1) and in Volume VI of this catalog series.

ASSOCIATED EQUIPMENT: Radar Sets AN/SFX-1 and AN/SFX-2, Radar Beacon AN/UPW-5, and Beacon Transmitter Receiver AN/TPW-4. Equipment function - IFF.

TYPE: Dipole array with rectangular reflector.

COGNIZANT AGENCY: U. S. Navy.

DESCRIPTION: Antenna assembly consists of two in-phase sets (two dipoles each) of vertically polarized end-to-end dipoles, with a common feed. The sets are mounted on opposite sides of a common rectangular reflector. The reflector is hollow so that it can contain the transmission lines.

STOCK NUMBER: Signal Corps 2A264-176.

REFERENCES:

- 1) E. B. Soltwedel, A Radar Director, Project RAND Research Memorandum RM-2000. Santa Monica, California: The RAND Corporation, (Aug. 13, 1957), ASTIA Report No. AD-150674. SECRET.
- 2) U. S. Department of Defense Nomenclature Card.

BEAM DATA:
Polarization - Vertical.

INSTALLATION: Ground and shipboard.

UNCLASSIFIED

ANTENNA ASSEMBLY AS-207/CRT-3

FREQUENCY: MF band, 0.5 - 0.8364 mc.

TYPE: Monopole.

DESCRIPTION: The antenna is 306 feet of wire which is erected by either a gas-filled balloon or a box-kite. It is the antenna for an emergency transmitting system designed for operation from a rubber life raft.

INSTALLATION: Shipboard (life raft).

ASSOCIATED EQUIPMENT: Radio Set AN/CRT-3.
Equipment function - communications (transmitting only).

COGNIZANT AGENCY: ARL-4108.

MANUFACTURER: Unknown, procurement plan 44-5702.

STOCK NUMBERS: Federal Stock Numbers F 5820-567-8948, and 5821-149-0883.

REFERENCES:
1) U. S. Air Force and Bureau of Aeronautics, Handbook of Maintenance Instructions, Radio Set AN/CRT-3, AN 16-30CRT3-2, T.O. 12R5-2CRT-3 (Sept. 15, 1955). UNCLASSIFIED.

2) U. S. Department of Defense Nomenclature Card.

.....

ANTENNA ASSEMBLY AS-209/SPR

Cancelled, July 18, 1946 per nomenclature card. The antenna was never used.

.....

ANTENNA ASSEMBLY AS-221/CPN-17

FREQUENCY: S-band. Additional information is available in the secret document listed below as Reference 1 and in Volume VI of this catalog series.

TYPE: Stacked array of dipoles.

DESCRIPTION: Antenna is a stacked dipole array enclosed in a weatherproof pressurized housing. There are 3 bays of radiating elements, each one is probably several bent dipoles mounted to form a ring or loop and fed in phase. It mounts on either Mast Assembly AB-90/CPN-17 (ground) or Yardarm Antenna Mounting AB-112/CPN-17 (ship).

BEAM DATA:

Gain - Additional information is available in the secret document listed below as Reference 1 and in Volume VI of this catalog series.

Half-power beamwidth - Vertical - 30° to 40°.

Beam Type - Omnidirectional in horizontal plane.

Polarization - Horizontal.

INSTALLATION: Ground or shipboard.

ASSOCIATED EQUIPMENT: Radar Beacon AN/CPN-17, Equipment function - additional information is available in the secret document listed below as Reference 1 and in Volume VI of this catalog series.

COGNIZANT AGENCY: U. S. Navy.

MANUFACTURER: Calvin Manufacturing Co., Contract NXsr-53341.

REFERENCES:

1) E. B. Soltvedal, A Radar Directory, Project RAND Research Memorandum RM-2000. Santa Monica, California: The RAND Corporation, (Aug. 13, 1957), ASTIA Report No. AD-150674. SECRET.

2) U. S. Department of Defense Nomenclature Card.

.....

ANTENNA ASSEMBLY AS-236(*)/SPT

FREQUENCY: UHF band, 350 - 1500 mc, VSWR < 2 on a 50-ohm line.

TYPE: Corner reflector fed by a dipole.

DESCRIPTION: The AS-236(*)/SPT is a broad-band medium-gain transmitting or receiving antenna. It consists of a half-wave, adjustable dipole connected to a balun and mounted in a 75-degree, fixed-angle corner reflector. Two

adjustable dipole-balun assemblies are used to cover the frequency range of the antenna, but only one is used at any one time. The antenna assembly mounts on a support shaft which is 53 inches high. This mount allows the antenna to be oriented horizontally, vertically, or at an intermediate position and also allows the assembly to be rotated to any position in azimuth. The dimensions of each side of the reflector are 18 by 20 inches. The reflector

UNCLASSIFIED

consists of a number of rods which lie in planes parallel to the plane of the dipole. The maximum length of the low-frequency dipole is 15-3/4 inches and the maximum length of the high-frequency dipole is 5 inches. The dipoles are fed by 50-ohm coaxial cable. The total weight of the assembly, including support shaft, is approximately 85 pounds.

BEAM DATA:

Gain - 10 db.
Half-power beamwidth - Plane parallel to dipole - 30° to 80°. Plane perpendicular to dipole - 30° to 60°. Polarization - Horizontal, vertical, or diagonal (45°) according to antenna orientation.

SCAN DATA: Does not scan, but can be manually positioned to any azimuth angle.

TUNING/MATCHING DEVICES: Dipole length is adjustable.

INSTALLATION: Ground or shipboard, fixed or mobile.

ASSOCIATED EQUIPMENT: Radar Set AN/SPT-6() and AN/SPT-7(). Equipment function - counter-measures, jamming.

MISCELLANEOUS: AS-236(*)/SPT denotes models AS-235()/SPT and AS-236/SPT. No data is available on differences, if any, between models.

COGNIZANT AGENCY: U. S. Navy.

MANUFACTURERS: Marine Radio Company, Navy Contract NMsr-65335.

STOCK NUMBER: Federal Stock Number, N5985-369-5393.

REFERENCES:

- 1) Preliminary Handbook of Maintenance Instructions for the F4700 Antenna (AS-236/SPT), Report No. 411-1B-85. Cambridge, Massachusetts: Radio Research Laboratory, Harvard University, (Aug. 7, 1945). UNCLASSIFIED.
2) Andrew W. Alford, Antennas for RCM, Report No. 411-100A. Cambridge, Massachusetts: Radio Research Laboratory, Harvard University, (Dec. 3, 1945). UNCLASSIFIED.
3) U. S. Department of Defense Nomenclature Card.



ANTENNA ASSEMBLY AS-240/TRR-2

FREQUENCY: HF and VHF bands, 28 - 40 mc.

TYPE: Whip.

DESCRIPTION: The antenna is a small whip used with a radio receiver for the remote detonation of land and water mines. The whip is 18 inches long and attaches directly to the receiver when used with land mines. When used with water mines, the whip mounts to a tapered oak block which keeps the antenna afloat. The oak block is weighted to keep the antenna upright. The antenna is connected to the submerged receiver by a length of coaxial cable.

ASSOCIATED EQUIPMENT: Radio Set AN/TRR-2. Equipment function - remote control.

COGNIZANT AGENCY: CESL-2547.

MANUFACTURER: Submarine Signal Company, procurement order 3102-PL-45-08.

REFERENCES:

- 1) U. S. Army, Radio Sets AN/TRT-1 and AN/TRR-2, Technical Manual, TM 11-269, (Oct., 1949). UNCLASSIFIED.
2) U. S. Department of Defense Nomenclature Card.



ANTENNA ASSEMBLY AS-269/UPT

FREQUENCY: VHF and UHF bands, 175 - 550 mc; VSWR < 2 on 50-ohm line.

TYPE: Corner reflector fed by a dipole.

DESCRIPTION: The antenna consists of a half-wave, adjustable dipole connected to a balun and mounted in a 75-degree, fixed-angle corner reflector. The reflector is constructed of a number of metal rods which are parallel to the axis of the dipole. The assembly is mounted on a pedestal which permits the antenna to be oriented for the transmission of signals of either horizontal or vertical polarization. The pedestal also provides for rotation of the antenna about a vertical axis so that the sig-

nal may be beamed in any azimuth direction. The assembly has the following dimensions: reflector, 40 by 43 inches (each side); dipole and balun, 32 by 24 by 2 inches (overall); mounting pedestal, 49 by 10 by 8 inches (overall). The entire assembly weighs about 140 pounds.

BEAM DATA:

Gain - 14 db. Half-power beamwidth - In the plane of the dipole - 50°. In a plane perpendicular to the dipole - 40°. Polarization - Either vertical or horizontal depending on mounting.

UNCLASSIFIED

SCAN DATA: This antenna does not scan, but it can be rotated manually through 360° in azimuth.

TUNING/MATCHING DEVICES: In order to obtain satisfactory performance of the antenna over its entire frequency range, it is necessary to adjust the dipole length, the balun length, and the dipole-to-reflector distance.

INSTALLATION: Shipboard or ground.

ASSOCIATED EQUIPMENT: Radar Sets AN/SPT-4(), and AN/SPT-6, Transmitting Equipment AN/APQ-2, AN/APT-2, and AN/APT-5, and Radar Training Set AN/UPT-T4. Equipment function - countermeasures, jamming. Transmitting Equipment 52ADM(OCT-1). Equipment function - test.

COGNIZANT AGENCY: U. S. Navy.

MANUFACTURERS: Development by Radio Research

Laboratory, Harvard University.

STOCK NUMBERS: Signal Corps 2A264-265.

REFERENCES:

- 1) Preliminary Instructions for F3903 Antenna (AS-263/UPT), 411-IB-70. Radio Research Laboratory, Harvard University. (March 7, 1945). UNCLASSIFIED.
- 2) Andrew W. Alford, Antennas for RCM, 411-100A. Cambridge, Massachusetts: Radio Research Laboratory, Harvard University, (December 3, 1945). UNCLASSIFIED.
- 3) U. S. Department of Defense Nomenclature Card.

.....

ANTENNA ASSEMBLY AS-352/UR&()

TYPE: Whip.

DESCRIPTION: This antenna is a two-piece tilting whip made of steel tubing. Its overall length is 23.5 feet of which 5 feet is the mast base section and 18.5 feet is the whip assembly. The mast base section consists of a self-aligning base insulator assembly supported by a stand-off insulator assembly. It is mounted with four 5/16- by 4-inch bolts with 18 threads per inch.

INSTALLATION: Ground, mobile and small boats.

ASSOCIATED EQUIPMENT: Equipment function - communications.

MISCELLANEOUS: The AS-352/UR&() is similar to Coast Guard type MR-162.

COGNIZANT AGENCY: FEA-125, Project Group SPSCC. (Plant Engineering Agency is now Signal Engineering Agency.)

MANUFACTURER: Birnback Radio Company, type CG-RE-815-1-1; Snyder Manufacturing Company, procurement order, Signal Corps 23584-FH-43.

STOCK NUMBER: Signal Corps 2A295.

REFERENCE: U. S. Department of Defense Nomenclature Card.

.....

ANTENNA ASSEMBLY AS-353/FR&()

FREQUENCY: MF and HF bands, 1.7 - 14.4 mc.

TYPE: Telescopic whip.

DESCRIPTION: The antenna is a three-section telescopic whip made of seamless, drawn aluminum tubing. The whip is 6-1/2 feet long when collapsed and 18-1/4 feet long when fully extended. Its maximum diameter is 3/4 of an inch. The antenna mounting is a cast-iron housing 8 inches long, 8 inches wide, and 8 inches high. Within this housing are the coil and capacitor which provide efficient coupling for the frequency band used. The antenna mounting bracket is an L-shaped steel bracket, each leg of which is 8-1/4 inches long and 6 inches wide. The total weight of an assembled AS-353/FR is approximately 40 pounds.

TUNING/MATCHING DEVICE: The antenna coupling device consists of any of four interchangeable plug-in coils and a variable capacitor.

INSTALLATION: Ground, fixed; ground, mobile; small boats.

ASSOCIATED EQUIPMENT: Radio Receivers BC-779-A, BC-779-B; BC-794-A, BC-794-B; BC-1004-B, BC-1004-C, BC-1004-D. Equipment function - communications, receiving.

COGNIZANT AGENCY: SCL-6909, Project Group SIGGC-R.

MANUFACTURER: A. H. Quist, Jr., part No. AS-7903, Signal Corps procurement order 7797-PHILA-48-77.

STOCK NUMBER: Signal Corps 2A298-1; Federal Stock Number 5985-223-4646.

UNCLASSIFIED

REFERENCES:

- 1) Department of the Army, Antenna Assembly AS-355/FR, TM 11-5013, (Jan. 1949). UNCLASSIFIED.

- 2) Signal drawing SC-D-51096.
- 3) Signal drawing ES-D-348E.



ANTENNA ASSEMBLY AS-371(*)/S

FREQUENCY: UHF and SHF band, 1000 - 4000 mc.

TYPE: Conical.

DESCRIPTION: The antenna is an omnidirectional double-cone antenna designed to provide wide-band characteristics. The antenna is mounted above a ground-plane segment (120°) at an angle of 45° to receive either horizontally or vertically polarized signals. The input impedance is 50 ohms. The antenna is for use on submarines and is constructed of silver-plated monel metal. External surfaces are painted except for the cone radiator, which is coated with neoprene. The overall antenna is 9-1/2 inches high 6 inches deep, and 5-1/8 inches wide. It weighs about 10 pounds.

INSTALLATION: Shipboard (submarine).

ASSOCIATED EQUIPMENT: Receiving Sets AN/SPR-2 and AN/BIR-1. Equipment function - probably countermeasures, monitoring.

MISCELLANEOUS: AS-371(*)/S denotes AS-371/S, AS-371A/S, and AS-371B/S, which are interchangeable and differ only in component parts.

COGNIZANT AGENCY: U. S. Navy.

MANUFACTURERS: Barlow Engineering Company, Brach Manufacturing Company; Navy contracts NObar-49116, NObar-30065, NObar-57215, and NObar-57217.

STOCK NUMBERS: AS-371/S ... Federal Stock Number F 5985-669-6823, AS-371A/S ... Navy Stock Number F 16-A-45542-1101, and AS-371B/S ... Federal Stock Number F 5985-672-5965.

REFERENCES:

- 1) U. S. Navy Bureau of Ships, Antenna Data Sheets, Shipboard Antenna Details, Chap-

ter 5, NAVSHIPS 900121(A), (Jan. 1, 1959). CONFIDENTIAL.

- 2) Albert F. Lopez, Robert C. Moore, Directory of Intercept and Analysis Equipment, Report No. 63.6-F. State College, Pennsylvania; Haller, Raymond and Brown, Inc., (Oct. 31, 1956).
- 3) Navy Specification Ships A-100.
- 4) Bureau of Ships, Instruction Book for Antenna Assembly AS-371A/S, NAVSHIPS 92416. UNCLASSIFIED.



AS-371(*)/S



ANTENNA ASSEMBLY AS-372/BRC

FREQUENCY: VHF and UHF bands, 225 - 390 mc.

TYPE: Stub-sleeve antenna.

DESCRIPTION: The antenna is a sleeve dipole for submarine installations and is used for transmitting and receiving when the submarine is surfaced. It has an impedance of 50 ohms. It is constructed of cast aluminum with ceramic insulators and is finished with gray paint. It mounts vertically and is 32 inches long and 9 inches in diameter. It is built to withstand a

hydrostatic pressure of 400 pounds per square inch.

INSTALLATION: Shipboard (submarine).

ASSOCIATED EQUIPMENT: UHF communications equipment. Equipment function - communications.

COGNIZANT AGENCY: U. S. Navy.

UNCLASSIFIED

MANUFACTURER: Federal Telephone and Radio Company, Navy contract N5sr-11772(Sic).

tronics Supply Office, (Feb. 1958). UNCLASSIFIED.

STOCK NUMBER: Federal Stock Number N 5985-369-5525.

2) U. S. Department of Defense Nomenclature Card.

REFERENCES:

1) U. S. Navy, Navy Stock List of the Elec-

.....

ANTENNA ASSEMBLY AS-376()/SRT

FREQUENCY: MF band, 0.5 mc.

COGNIZANT AGENCY: PEA-508. (PEA is now SEA: U. S. Army Signal Engineering Agency, Arlington Hall, Va.)

TYPE: Monopole.

DESCRIPTION: The assembly is a single-wire antenna for emergency radio equipment in life rafts. It consists of 50 feet of rubber-covered copper wire, 20 feet of copper-braid ground wire, insulators, rope and clips. It is erected on a mast-type construction for boat emergency use.

MANUFACTURER: Federal Telephone and Radio Company.

REFERENCES:

1) Federal Telephone and Radio Drawing F-31966-1.

2) U. S. Department of Defense Nomenclature Card.

INSTALLATION: Shipboard (life raft).

ASSOCIATED EQUIPMENT: Radio Transmitter Type 168-B. Equipment function - communications.

.....

ANTENNA ASSEMBLY AS-377/U&()

FREQUENCY: MF band, 1.55 - 2.50 mc.

COGNIZANT AGENCY: U. S. Navy, code 935.

TYPE: Loop.

MANUFACTURER: Washington Institute of Technology, U. S. Navy procurement contract NXsr-88850.

DESCRIPTION: This assembly consists of the loop proper and its pedestal, which plugs into a receptacle provided on the associated field-intensity meter. The loop mounts on the pedestal by means of two spring fasteners. The unit is 12 inches wide, 28-1/4 inches high, and 1-3/16 inches deep. Input leads are shielded, and the input inductance is 33 microhenries.

STOCK NUMBER: Federal Stock Number N5985-090-2624.

REFERENCES:

1) BuShips Specification RE-13A-1031A.

2) U. S. Department of Defense Nomenclature Card.

SCAN DATA: 360° manual azimuth rotation.

ASSOCIATED EQUIPMENT: Field Intensity Meter TS-318()/UP. Equipment function - test.

.....

ANTENNA ASSEMBLY AS-389/FMQ-2

FREQUENCY: UHF band, 390 - 410 mc.

BEAM DATA:

Beam type - Omnidirectional in azimuth.
Polarization - Vertical.

TYPE: Stub-sleeve antenna.

DESCRIPTION: The antenna assembly consists of a stub-sleeve antenna (18 inches long) and a 100-foot cable of RG-8/U with a UG-21/EU connector. The stub is a silver-plated brass rod 5-37/64 inches long and 1/2 inch in diameter. The sleeve is a silver-plated brass tube 6-3/4 inches long and 2-1/2 inches in diameter. The antenna is mounted by a pipe-cap support with a stand-off insulator.

INSTALLATION: Ground or shipboard.

ASSOCIATED EQUIPMENT: Radiosonde Receptors AN/FMQ-2 and AN/FMQ-2A. Equipment function - meteorological measurement.

COGNIZANT AGENCY: U. S. Navy, code 851.

MANUFACTURER: National Co., Inc., contract NObsr-57468.

Instructions Book for Radiosonde Receptor AN/FMQ-2, NA 16-30-FMQ2-501, (July 1952). UNCLASSIFIED.

STOCK NUMBER: U. S. Navy R16AN-AS289FMQ2.

2) Bendix-Freiz Drawing 515083-B.

REFERENCES:

1) U. S. Navy, Bureau of Aeronautics,

3) U. S. Navy Specification MIL-R-15312.



ANTENNA ASSEMBLY AS-390(*)/SRC

FREQUENCY: VHF and UHF bands, 220 - 400 mc; VSWR < 2.

MANUFACTURERS: Technical Appliance Corporation, Navy contract number NObsr-57304; Bird Electronic Corporation, Navy contract number NObsr-43272; Andrew Alford Consulting Engineers, Navy contract number NObsr-29053.

TYPE: Modified ground-plane antenna.

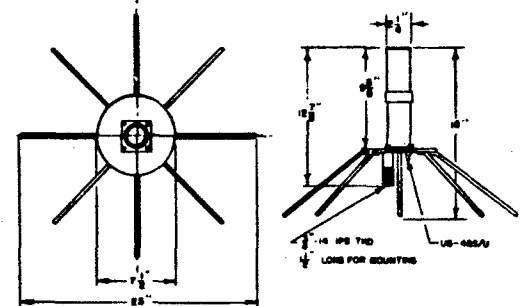
STOCK NUMBERS: Navy F16-A-53590-1001, Federal Stock Number F5985-519-9886.

DESCRIPTION: The antenna is an unbalanced, broadband, coaxial stub antenna for transmitting and receiving. It consists of a radiator and a ground plane. The radiator is 9-5/8 inches high and 2-1/4 inches in diameter. The ground plane is 7-1/2-inch disk to which eight radial rods are attached. The ground-plane rods are bent downward 37 degrees below the horizontal. The assembly has an overall diameter of 23 inches and an overall height of 16 inches. The assembly mounts by means of a threaded stud protruding from the ground-plane mounting plate. The thread on the stud is 3/4-14 straight N.P.S. The antenna has an impedance of 52 ohms and terminates in a type-N connector. It weighs 3.6 pounds and is vertically polarized.

REFERENCES:

1) U. S. Navy Bureau of Ships, Antenna Data Sheets, Shipboard Antenna Details, Chapter 5, NAVSHIPS 900121(A), (Jan. 1, 1959). CONFIDENTIAL.

INSTALLATION: Shipboard.



AS-390(*)/SRC

ASSOCIATED EQUIPMENT: Radio Sets AN/URR-13, TDZ-RDZ, MAR-RDR, and TED. Equipment function - communications.

2) Private Correspondence.

MISCELLANEOUS: AS-390(*)/SRC denotes two models, AS-390/SRC and AS-390A/SRC. The two models are interchangeable. They differ in that AS-390A/SRC uses Teflon insulation. The antenna will withstand an internal pressure of 50 pounds per square inch and can be operated in areas where the ambient temperature does not exceed 350°F.

3) U. S. Navy Bureau of Ships, Instruction Book for Antenna AT-150/SRC and Antenna Assembly AS-390/SRC, NAVSHIPS 91338, (Nov. 7, 1951). UNCLASSIFIED.

COGNIZANT AGENCY: U. S. Navy.



ANTENNA AS-393(*)/BLR

FREQUENCY: UHF and SHF band, 1800 - 3600 mc, VSWR < 5.

The assembly is mounted horizontally on top of the snorkel shield of submarines. The antenna has an impedance of 52 ohms and weighs 10 pounds. The overall dimensions are 5-1/2 inches high and 7-3/4 inches in diameter.

TYPE: Dipole and stub..

INSTALLATION: Shipboard (submarine).

DESCRIPTION: AS-393(*)/BLR is an omnidirectional antenna for receiving only and is composed of two separate antennas. One antenna is a three-element loop (probably a tri-dipole), ringlike and sensitive to horizontally polarized waves. The other antenna is a stub and is sensitive to vertically polarized waves. Both elements are surrounded by petroleum jelly and are enclosed in a molded polyethylene dome.

ASSOCIATED EQUIPMENT: Countermeasures Receiving Sets AN/BLR-1, and AN/SPR-2. Equipment function - countermeasures, search.

MISCELLANEOUS: AS-393(*)/BLR denotes the (),

A and B models. They are interchangeable.

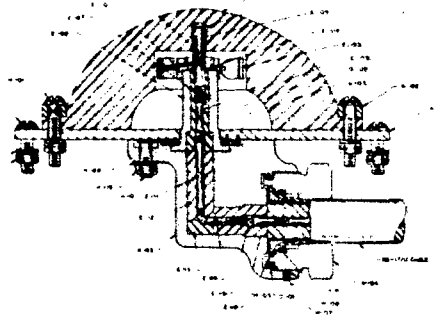
COGNIZANT AGENCY: U. S. Navy - 624.

MANUFACTURERS: Andrew Alford, and Mare Island Naval Shipyard, Navy contract NObsr-71568.

STOCK NUMBERS: Navy Stock Number ... F 16-A-55157-9371, Federal Stock Numbers F 5985-369-5551 and F 5985-543-1218.

REFERENCES:

- 1) U. S. Navy Bureau of Ships, Antenna Data Sheets, Shipboard Antenna Details, Chapter 5, NAVSHIPS 900121(A), (Jan. 1, 1959). CONFIDENTIAL.
- 2) Bureau of Ships, Instruction Book for Antenna Assembly AS-393/BLR, NAVSHIPS 91479. UNCLASSIFIED.
- 3) U. S. Department of Defense Nomenclature Card.



AS-393(*)/BLR

.....

ANTENNA AS-402(*)/SPS-6

FREQUENCY: UHF band, 1250 - 1350 mc (radar), 950 - 1150 mc (IFF); VSWR < 1.1.

TYPE: Cut paraboloidal reflector fed by a horn.

DESCRIPTION: The assembly consists of a section of a paraboloid, a hophorn feed assembly, a pedestal and supporting framework, and a wind balancing vane. The reflector is 4-1/2 feet high, 17-1/2 feet wide, and 5 feet deep; it weighs 212 pounds. The complete assembly weighs 809 pounds. The wind load at 90 knots is 1215 pounds.

BEAM DATA: (Radar)

Gain - 29 db.
Half-power beamwidth - Horizontal - 3.5°. Vertical - 10°. Polarization - Horizontal.

SCAN DATA: The antenna rotates through 360 degrees in azimuth at a rate between 5 and 15 revolutions per minute.

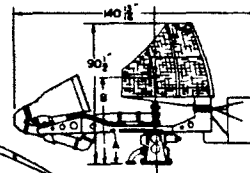
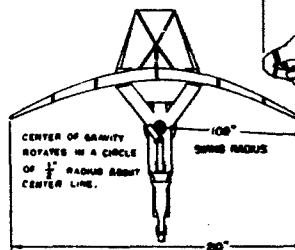
INSTALLATION: Shipboard (carrier).

ASSOCIATED EQUIPMENT: Radar Sets AN/SPS-6, and SR-3a. Equipment function - search, air. Range - 70 miles for aircraft with a 20-square-meter radar cross section.

MISCELLANEOUS: AS-402(*)/SPS-6 denotes two models: the unlettered and the A model. The two models are similar and are interchangeable, but the A model has IFF provisions. AS-402(*)/SPS-6 is similar to AS-429(*)/SPS-6A and AS-430(*)/SPS-6B.

COGNIZANT AGENCY: U. S. Navy.

2°- CENTER OF GRAVITY - 20°
 3°- CENTER OF WIND RESISTANCE - 34°



1 1/2 INCH BOLT CIRCLE
 8 HOLES EQUALLY SPACED
 3/4 INCH DIAM

AS-402(*)/SPS-6

MANUFACTURERS: Westinghouse Electric Corporation; Navy contract NObsr-39420.

STOCK NUMBERS: Federal Stock Number F 5985-296-2801.

REFERENCES:

- 1) U. S. Navy Bureau of Ships, Antenna Data Sheets, Shipboard Antenna Details, Chapter 5, NAVSHIPS 900121(A). (Jan. 1, 1959). CONFIDENTIAL.
- 2) U. S. Navy Bureau of Ships, Instruction Book for Radar Equipments Navy Models SR-3a, SR-3b, and SR-3c, NAVSHIPS 900,539(A), (Feb. 15, 1952). UNCLASSIFIED.
- 3) U. S. Department of Defense Nomenclature Card.

UNCLASSIFIED

ANTENNA ASSEMBLY AS-404/SPN-4

FREQUENCY: SHF band, 3010 - 3100 mc.

in azimuth at 7 revolutions per minute.

TYPE: Cut paraboloidal reflector fed by waveguide.

INSTALLATION: Shipboard.

DESCRIPTION: The antenna is a cut paraboloidal reflector which is mounted with its long dimension horizontal. It mounts on a rotating pedestal which houses the drive mechanism. R-f energy may be fed to or from the antenna by means of a coaxial cable or a waveguide. When the distance from the transmitter (or receiver) to the antenna is less than 20 feet, 51-ohm coaxial cable may be used. The antenna is 7 feet wide and 1 foot high. It weighs about 150 pounds.

ASSOCIATED EQUIPMENT: Radar Set AN/SPN-4.
Equipment function - navigation.

MISCELLANEOUS: The nomenclature card lists the frequency range as 3020 to 3120 mc.

COGNIZANT AGENCY: U. S. Navy.

MANUFACTURERS: Raytheon Manufacturing Company, type CX-1003, Navy contract NObsr-42032.

REFERENCES:

- 1) Edward Ornstein, U. S. Navy Radar Systems Survey, NRL Report 4963, Washington, D.C.: Naval Research Laboratory (Nov. 22, 1957). ASTIA Report No. AD-153211. SECRET.
- 2) U. S. Department of Defense Nomenclature Card.

BEAM DATA:

Half-power beamwidth - Vertical - 13.5°.
Horizontal - 3.5°.
Polarization - Horizontal.

SCAN DATA: The antenna rotates through 360°

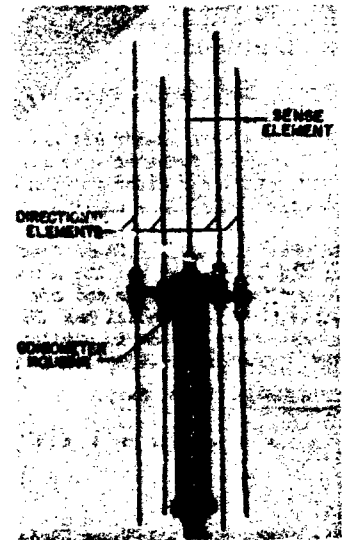
.....

ANTENNA ASSEMBLY AS-410(*)/URD-2

FREQUENCY: VHF band, 100 - 156 mc.

TYPE: Crossed Adcock with sense monopole.

DESCRIPTION: The antenna is a crossed Adcock made up of four vertical dipoles located at the corners of a square with a sense monopole located in the center. The assembly includes a goniometer with a crossarm bracket on top. The crossarm bracket is used for mounting the antenna elements.



AS-410(*)/URD-2

BEAM DATA:

Beam type - Figure of eight.
Polarization - Vertical; however, the antenna is capable of receiving signals which are polarized as far as 45° from vertical.

SCAN DATA: Electromechanical scan of 360° in azimuth is accomplished by a capacitive goniometer.

TUNING/MATCHING DEVICES: A bazooka type of balance-to-unbalance transformer connects the balanced goniometer to the unbalanced coaxial cable which connects the antenna to the receiver.

INSTALLATION: Ground and shipboard.

STOCK NUMBER: Federal Stock Number 5825-244-5401 (for AS-410/URD-2).

ASSOCIATED EQUIPMENT: Direction Finder Set AN/URD-2. Equipment function - direction finding and communication reception.

REFERENCES:

- 1) Departments of the Army and Air Force, Direction Finder Set AN/URD-2A, TO 31R4-2URD2-21, (Aug. 1951). UNCLASSIFIED.
- 2) Albert F. Lopez, Robert C. Moore, Directory of Intercept and Analysis Equipment, Report No. 63.6-F. State College, Pennsylvania; Haller, Raymond and Brown, Inc., (Oct. 31, 1956). SECRET.

MISCELLANEOUS: AS-410(*)/URD-2 denotes models AS-410/URD-2 and AS-410A/URD-2.

COGNIZANT AGENCY: U. S. Navy.

MANUFACTURER: Bendix Radio Corp., contract NObsr-39237.

UNCLASSIFIED

3) Bendix Drawing QR-200318-1.

5) U. S. Department of Defense Nomenclature Card.

4) U. S. Navy Specification CS-571A.



ANTENNA ASSEMBLY AS-429(*)/SPS-6A

FREQUENCY: UHF band, 1250 - 1350 mc (radar), and 950 - 1150 mc (IFF); VSWR < 1.1.

MANUFACTURERS: Westinghouse Electric Corporation, Navy contract NOber-39420.

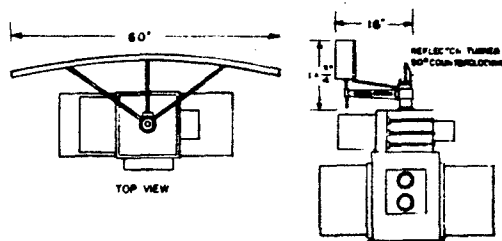
TYPE: Cut paraboloidal reflector fed by a horn.

STOCK NUMBERS: Federal Stock Number F 5985-284-5974.

DESCRIPTION: The assembly consists a section of a paraboloid, a hoghorn feed assembly, a pedestal and supporting framework, and a wind balancing vane. The reflector is about 6 feet high, 17 feet wide and 4 feet deep; it weighs 230 pounds. The complete assembly weighs 838 pounds. The wind load at 90 knots is 1475 pounds.

REFERENCES:
1) U. S. Navy Bureau of Ships, Antenna Data Sheets, Shipboard Antenna Details, Chapter 5, NAVSHIPS 900121(A), (Jan. 1, 1959). CONFIDENTIAL.

BEAM DATA: (Radar)
Gain - 27.4 db.
Half-power beamwidth - Horizontal - 3.5°. Vertical - 20°. Polarization - Horizontal.



SCAN DATA: The antenna rotates through 360° in azimuth at a rate between 5 and 15 revolutions per minute.

AS-429(*)/SPS-6A

INSTALLATION: Shipboard, (carrier).

2) U. S. Navy, Navy Stock List of the Electronics Supply Office, (Feb. 1958). UNCLASSIFIED.

ASSOCIATED EQUIPMENT: Radar Set AN/SPS-6A, and SR-3b. Equipment function - search, air. Range - 70 miles for aircraft with a 20-square-meter radar cross section. Also IFF.

3) U. S. Navy Bureau of Ships, Instruction Book for Radar Equipments Navy Models SR-3a, SR-3b, and SR-3c, NAVSHIPS 900,599(A), (Feb. 15, 1952). UNCLASSIFIED.

MISCELLANEOUS: AS-429(*)/SPS-6A denotes two models: the unlettered and the A model. The two models are similar and are interchangeable, but the A model has IFF provisions. AS-429(*)/SPS-6A is similar to AS-402(*)/SPS-6 and AS-430(*)/SPS-6B.

COGNIZANT AGENCY: U. S. Navy.



ANTENNA ASSEMBLY AS-430(*)/SPS-6B

FREQUENCY: UHF, 1250 - 1350 mc (Radar), 950 - 1150 mc (IFF); VSWR < 1.1.

Polarization - Horizontal.

TYPE: Cut paraboloidal reflector fed by a horn.

SCAN DATA: The antenna rotates through 360 degrees in azimuth at a rate between 5 and 15 revolutions per minute.

DESCRIPTION: The assembly consists of a section of a paraboloid, a horn feed assembly (see miscellaneous), a pedestal and supporting framework, and a wind balancing vane. The reflector is 5 feet 9 inches high, 17 feet wide, and 5 feet 2 inches deep; it weighs 229 pounds. The complete assembly weighs 878 pounds.

INSTALLATION: Shipboard.

BEAM DATA: (radar).
Gain - 27 db.
Half-power beamwidth - Horizontal - 3.5°. Vertical - 30°.

ASSOCIATED EQUIPMENT: Radar Set AN/SPS-6B, and SR-3c. Equipment function - search, air. Range - 50 miles for aircraft with a 20-square-meter radar cross section.

MISCELLANEOUS: AS-430(*)/SPS-6B denotes three models: the unlettered model, the A model, and the B model. The unlettered and A models are similar and interchangeable except for the feed assemblies and IFF provisions. The feed assembly of AS-430/SPS-6B

is a waveguide-fed hoghorn; no provisions are made for IFF. AS-430A/SPS-6B uses a flared waveguide horn for the radar feed. The IFF feed is probably a small dipole or stub antenna assembly located at or near the mouth of the horn. AS-430B/SPS-6B is interchangeable with AS-430A/SPS-6B but not vice-versa. The two antennas are similar but have different types of windvane. AS-430(*)/SPS-6B is similar to AS-402(*)/SPS-6 and AS-429(*)/SPS-6A.

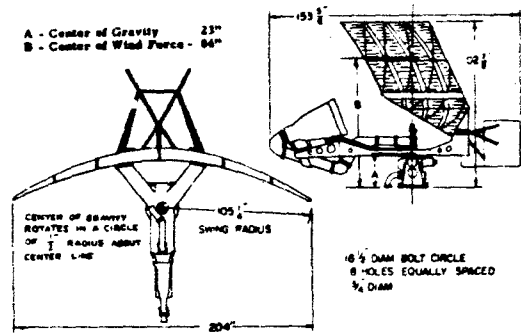
COGNIZANT AGENCY: U. S. Navy.

MANUFACTURERS: Westinghouse Electric Corporation, Navy contracts NObsr-39420 and NObsr-52204.

STOCK NUMBERS: AS-430/SPS-6B ... Federal Stock Number F 5985-296-2244, AS-430A/SPS-6B 6B ... Federal Stock Number F 5840-296-1286, AS-430B/SPS-6B ... Federal Stock Number F 5840-090-2654.

REFERENCES:

- 1) U. S. Navy Bureau of Ships, Antenna Data Sheets, Shipboard Antenna Details, Chapter 5, NAVSHIPS 900121(A), (Jan. 1, 1959). CONFIDENTIAL.
- 2) Navy Specification CS-757.



AS-430(*)/SPS-6B

- 3) U. S. Navy, Bureau of Ships, Instruction Book for Radar Equipments Navy Models SR-6a and SR-6b, NAVSHIPS 900,989(A), (Sept. 10, 1951). UNCLASSIFIED.
- 4) U. S. Navy Bureau of Ships, Instruction Book for Radar Equipments Navy Models SR-3a, SR-3b, and SR-3c, NAVSHIPS 900539(A), (Feb. 15, 1952). UNCLASSIFIED.

.....

ANTENNA AS-444/SPN-5

FREQUENCY: SHF band, 9320 - 9430 mc.

TYPE: Cut paraboloidal reflector fed by flared waveguide horn.

DESCRIPTION: The antenna is a cut paraboloidal reflector mounted with its long dimension horizontal. The surface of the reflector is made of a number of horizontal parabolic-shaped rods. The antenna is mounted to a rotating mounting base which is supported by the antenna pedestal. The waveguide horn is attached to and supported by a rigid waveguide section. Its opening is at or near the focal point of the reflector. The reflector is about 5 feet wide, 1-1/2 feet high, and 1-1/2 feet deep. The entire assembly weighs 225 pounds.

BEAM DATA:

Half-power beamwidth - Vertical - 19°. Horizontal - 1.8°. Polarization - Horizontal.

SCAN DATA: The antenna rotates through 360° in azimuth at 10 revolutions per minute.

INSTALLATION: Shipboard.

ASSOCIATED EQUIPMENT: Radar Set AN/SPN-5(). Equipment function - navigation.

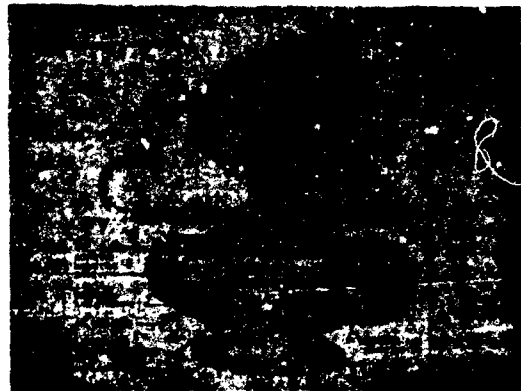
MISCELLANEOUS: Reference 1) lists the polarization as vertical; it is obvious from construction that it is horizontal. There is

some discrepancy between references on dimensions. The dimensions given seem to be accurate when compared to photographs.

COGNIZANT AGENCY: U. S. Navy.

MANUFACTURERS: Radiomarine Corporation of America, Navy contract NObsr-52358, and contract 6269-PH-51-02 (probably Signal Corps).

STOCK NUMBERS: Signal Corps 2A202AS-444, Federal Stock Number F 5985-284-6491.



AS-444/SPN-5

UNCLASSIFIED

REFERENCES:

- 1) Department of the Army, Radar Set AN/SFN-5 Field and Depot Maintenance, TM 11-1501, (Dec. 1949). UNCLASSIFIED.
- 2) Department of the Army, Radar Set

AN/SFN-5, TM 11-1501, (August 1949). UNCLASSIFIED.

- 3) U. S. Department of Defense Nomenclature Card.



ANTENNA AS-468()/B

FREQUENCY: VHF and UHF bands, 225 - 390 mc.

TYPE: Dipole.

DESCRIPTION: The antenna is a vertical dipole consisting of two brass cylinders mounted around a stainless-steel supporting tube. The lower cylinder, in addition to forming half of the dipole, serves as a balun. An isolating sleeve is located on the top of the assembly to prevent interference with the AS-522()/BPX antenna which is normally mounted there. The cylinders have a 45° taper at the center of the dipole. The overall assembly is 31 inches high and 7-3/4 inches in diameter (maximum). The antenna, including the isolating sleeve, is 23-7/16 inches long and is part of AS-523()/BPX and AS-525()/BPX antenna assemblies.

REFERENCES:

- 1) Bureau of Ships, Instruction Book for Submarine Antennas AS-522/BPX, AS-468/B, AS-525/B and Antenna Assemblies AS-523/BPX, AS-524/BPX, AS-525/BPX. UNCLASSIFIED.
- 2) U. S. Navy, Summary of Antenna System Requirements for SS Submarines, NAVSHIPS 93547, Fort Trumbull, New London, Conn.: U. S. Navy Underwater Sound Laboratory (April 26, 1960). UNCLASSIFIED.
- 3) U. S. Navy, Submarine Antenna Systems Summary, SSK240 Class, Fort Trumbull, New London, Conn.: U. S. Navy Underwater Sound Laboratory (Feb. 19, 1958). UNCLASSIFIED.

BEAM DATA:

Beam type - Omnidirection in azimuth.
Polarization - Vertical.

INSTALLATION: Shipboard (submarine).

ASSOCIATED EQUIPMENT: AN/URR-35 UHF receiving equipment, AN/URR-13, TED; TDZ-RDZ. Equipment function - communications.

COGNIZANT AGENCY: U. S. Navy.

MANUFACTURERS: Watson Elevator Co.

STOCK NUMBERS: Federal Stock Number F 5985-369-5434.



AS-468()/B



ANTENNA ASSEMBLY AS-476/SMD

FREQUENCY: UHF band, 1660 - 1700 mc.

TYPE: Paraboloidal reflector with a feed consisting of a dipole and eccentric reflecting cup.

DESCRIPTION: The antenna is a 6-foot paraboloidal reflector with a feed consisting of a stationary dipole, mounted on the axis and near the focus of the reflector. A reflecting cup is designed to rotate off-center about the axis of the reflector to produce conical scanning. The antenna is fed by RG-59/U waveguide. It has a total weight of 1585 pounds.

SCAN DATA: The pedestal, which is part of the antenna assembly, permits movement of the antenna in three planes: cross level at a

rate of 4 revolutions per minute, vertical from -32° to +87° at a rate of 5 revolutions per minute, and azimuth through 360° at a rate of 4 revolutions per minute. The eccentric hemispherical reflecting cup rotates at a rate of 30 revolutions per second. This off-center rotation causes the beam to rotate about the axis of the paraboloidal reflector and form a solid cone.

INSTALLATION: Shipboard or ground.

ASSOCIATED EQUIPMENT: Radiosonde Receptor AN/SMD-1. Equipment function - meteorological measurement.

MISCELLANEOUS: AS-476/SMD is similar to but not interchangeable with AS-462/SMD-1.

UNCLASSIFIED

COGNIZANT AGENCY: U. S. Navy.

MANUFACTURER: General Electric Co., contract N5sr-11814.

REFERENCES:

- 1) U. S. Navy Bureau of Ships, Antenna Data Sheets, Shipboard Antenna Details, Chapter 5, NAVSHIPS 900121(A), (Jan. 1, 1959). CONFIDENTIAL.

2) General Electric drawing W-9078478 G1.

3) U. S. Navy Specification CS-89.

4) U. S. Department of Defense Nomenclature Card.

ANTENNA ASSEMBLY AS-484(*)/SPS-8

FREQUENCY: SHF band, 3400 - 3600 mc.

TYPE: Cut paraboloidal reflector fed by a parallel-plate horn.

DESCRIPTION: The antenna, which is used with height-finding radars, is a cut paraboloidal reflector fed by a parallel-plate horn. Rapid scanning is produced by electromechanical means at the horn. The antenna is 5 feet wide by 15 feet high and is mounted with the long dimension vertical. The antenna, support structures, and wind vanes are mounted on a base about 10 feet high. For operation, the assembly requires a clearance of 19 feet 2 inches in height and 22 feet 6 inches in diameter. The weight of the entire assembly is 4068 pounds. The antenna is stabilized in roll and pitch for roll and pitch angles not exceeding 30 and 6 degrees, respectively.

BEAM DATA:

Gain - 37 db.
Half-power beamwidth - Horizontal - 3.5°
Vertical - 1.1°

SCAN DATA: The antenna has 360° scan in azimuth at 1, 2, 3, 5, or 10 revolutions per minute and a variable sector scan in azimuth from 30 to 210 degrees. It provides elevation scanning by electromechanical means in any 11° sector between 0 and 36°; elevation scan rate is 1200, 600, or 300 cycles per minute.

INSTALLATION: Shipboard, for use on DD and larger vessels.

ASSOCIATED EQUIPMENT: Radar Sets AN/APS-8, and AN/SPS-8. Equipment function - height finding.

MISCELLANEOUS: The waveguide (RG-48/U or RG-75/U) between the antenna and the transmitter should not exceed 125 feet in length. AS-484(*)/SPS-8 denotes the unlettered, the A, and the B models. The available data indicate minor differences in dimensions, construction, etc., between the A and the un-

lettered model. The B model was cancelled by Navy Code 819G on 24 April 1957. It was never issued.

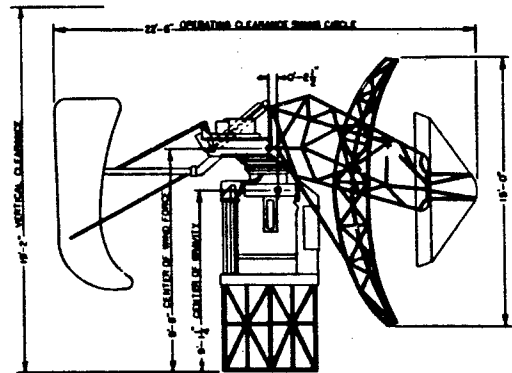
COGNIZANT AGENCY: U. S. Navy.

MANUFACTURERS: American Machine and Foundry Company, General Electric Company (Contractor); Navy contracts NObar-39406 and NObar-52020.

STOCK NUMBERS: Federal Stock Numbers F 5985-365-5478 and F 5985-369-5476, Navy Stock Number F16-A-53094-3001.

REFERENCES:

- 1) U. S. Navy Bureau of Ships, Antenna Data Sheets, Shipboard Antenna Details, Chapter 5, NAVSHIPS 900121(A), (Jan. 1, 1959). CONFIDENTIAL
- 2) U. S. Navy, Navy Stock List of the Electronics Supply Office, (Feb. 1958). UNCLASSIFIED.
- 3) U. S. Department of Defense Nomenclature Card.



AS-484(*)/SPS-8

UNCLASSIFIED

ANTENNA ASSEMBLY AS-493/U

MAJOR COMPONENTS: 1 Beacon antenna, 1 UHF antenna, and 1 AEW link antenna.

COGNIZANT AGENCY: U. S. Navy.

FREQUENCY: Beacon antenna, UHF band, 2880 mc; UHF antenna, UHF band, 465 - 510 mc; AEW link antenna, VHF and UHF band, 225 - 390 mc.

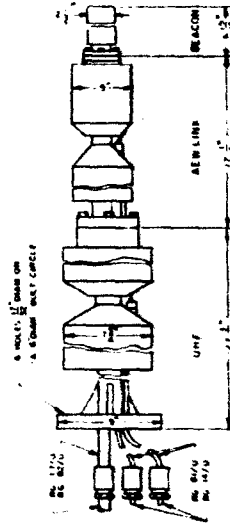
MANUFACTURER: Barlow Engineering Company.

TYPE: Two dipoles and a stacked array of 3 tri-dipoles.

REFERENCES: 1) U. S. Navy Bureau of Ships, Antenna Data Sheets, Shipboard Antenna Details, Chapter 5, NAVSHIPS 900121(A), (Jan. 1, 1959) CONFIDENTIAL.

- 2) NAVSHIPS 91569.
3) U. S. Department of Defense Nomenclature Card.

DESCRIPTION: The assembly is designed for installation aboard submarines and consists of three antennas built into one unit. The three antennas are stacked vertically on a mast which is about 2 inches in diameter. The top section, which is 2-1/2 inches in diameter and about 7 inches tall, is an S-band beacon antenna. It consists of three vertically-stacked aluminum tri-dipole elements enclosed in a molded polyethylene jacket. The center section, which is 5 inches in diameter and 17-1/4 inches long, is a vertical dipole whose radiating elements are two brass cylinders coaxial with the mast pole. This is an AEW link antenna. The bottom section is similar to the center section except for dimensions. It is the UHF communications antenna and is 7-3/4 inches in diameter and 27-3/16 inches tall. Each antenna is fed by a separate coaxial cable. The assembly weighs 120 pounds.



AS-493/U

BEAM DATA: (all 3 antennas)
Beam type - Omnidirectional in azimuth.
Polarization - Horizontal (Beacon), vertical (UHF and link).

INSTALLATION: Shipboard (submarine).

ASSOCIATED EQUIPMENT: Radio Set AN/UPN-7.
Equipment function - beacon.
Radio Sets AN/SRR-4, TDZ, and RDZ.
Equipment function - communications.

ANTENNA AS-495/SPS-10A

Cancelled November 5, 1952. This nomenclature was never used.

ANTENNA AS-500/BPN

FREQUENCY: SHF band, 8900 - 9400 mc.

Polarization - Circular.

TYPE: Horn.

INSTALLATION: Shipboard.

DESCRIPTION: The antenna is a horn made of brass and Teflon and is used for transmitting or receiving. The overall antenna is 7 inches high, 5 inches wide, and 4 inches deep. It is fed by RG-52/U waveguide and will withstand water pressure up to 600 pounds per square inch.

ASSOCIATED EQUIPMENT: Radar Sets AN/UPN-8 and AN/UPN-11. Equipment function - navigation.

MISCELLANEOUS: This antenna is similar to Antenna AS-493/UPN except for its pressure-withstanding ability.

BEAM DATA:
Beam type: Approximately hemispherical.

UNCLASSIFIED

COGNIZANT AGENCY: U. S. Navy.

REFERENCES:

U. S. Department of Defense Nomenclature Card.

MANUFACTURER: Probably Andrew Alford, Incorporated, which makes Antenna AS-499.



ANTENNA AS-501()/SPN

FREQUENCY: SHF band, 7250 - 10,750 mc, VSWR < 1.4 when used with AN/UPN-11.

Sheets, Shipboard Antenna Details, Chapter 5, NAVSHIPS 900121(A), (Jan. 1, 1959). CONFIDENTIAL.

TYPE: Biconical horn.

DESCRIPTION: AS-501()/SPN is a biconical horn antenna mounted in a cylindrical fiberglass radome. The overall dimensions of the antenna are 19-7/8 inches high by 13-5/8 inches in diameter. The antenna is fed by RG-52/U waveguide. The AN/UPN-11 radar beacon requires one of these antennas for receiving and one for transmitting.

2) Andrew Alford drawing number D-14211-600000D.

3) Bureau of Ships drawing number RE 65F-2227.

4) U. S. Navy Bureau of Ships, Antenna AS-501()/SPN(XN-1) and Antenna AS-501()/SPN, Instruction Book, NAVCHIPS 91950, (June 2, 1953). UNCLASSIFIED.

BEAM DATA:

Half-power beamwidth - Vertical - 15°. Beam type - Omnidirectional in azimuth with the direction of maximum radiation in the vertical plane at an angle of 7-1/2° above the horizontal. Polarization - Horizontal.

INSTALLATION: Shipboard.

ASSOCIATED EQUIPMENT: Radar Beacon AN/UPN-11. Equipment function - radar beacon.

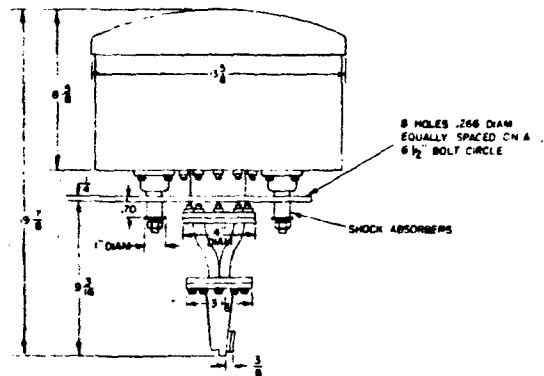
COGNIZANT AGENCY: U. S. Navy.

MANUFACTURER: Andrew Alford Consulting Engineers.

STOCK NUMBER: Federal Stock Number F 5825-369-5555.

REFERENCES:

1) U. S. Navy Bureau of Ships, Antenna Data



AS-501()/SPN



ANTENNA ASSEMBLY AS-502/TPN&()

MAJOR COMPONENTS: 1 Antenna AT-538/TPN, 1 Antenna AT-539/TPN.

BEAM DATA:

Polarization - Circular (AT-539/TPN).

FREQUENCY: SHF band, 8900 - 9400 mc.

ASSOCIATED EQUIPMENT: Radar Beacon AN/UPN-8. Equipment function - navigation, surface reference.

TYPE: Horn antenna.

DESCRIPTION:

A) AT-538/TPN is a horn-type antenna which is fed by a rectangular waveguide. The input impedance is 50 ohms. It is pedestal mounted. B) AT-539/TPN is also a horn-type antenna with a rectangular waveguide feed, but it has an input impedance of 380 ohms. Both antennas are mounted on the same ground sheet.

COGNIZANT AGENCY: U. S. Navy.

MANUFACTURERS: Andrew Alford, Consulting Engineers, procurement contract NObar 52245.

STOCK NUMBER: Federal Stock Number F5840-285-0511.

REFERENCES:

- 1) Andrew Alford Drawing D-24211-60-002A.
- 2) Andrew Alford Drawing B-24211-60-000A.
- 3) Andrew Alford Drawing B-24211-60-001A.

- 4) Military Specification MIL-A-15295.
- 5) U. S. Department of Defense Nomenclature Card.

.....

ANTENNA AS-505(*)/GR

FREQUENCY: VHF and UHF bands, 225 - 400 mc.

Stock Numbers F5985-317-2518, and 5985-217-0505.

TYPE: Collinear array of dipoles.

DESCRIPTION: The antenna is an array of 4 vertically stacked squirrel-cage dipole antennas. Each squirrel-cage dipole is 18 inches in diameter and 14 inches long. Overall, the array is 18 inches in diameter and 12 feet in length. The array consists of 4 aluminum sections which mount either to Mast AB-157/GR(*) or to a class-2 telephone pole. The antenna is fed by a 52-ohm coaxial transmission line. Shipping weight is 85 pounds.



AS-505(*)/GR (NOTE: Dark line is a label on original diagram).

BEAM DATA:

- Gain - 6 db.
- Beam type - Omnidirectional in azimuth plane.
- Polarization - Vertical.

ASSOCIATED EQUIPMENT: Various UHF sets. Equipment function - communications.

MISCELLANEOUS: Antenna AS-505A/GR differs from AS-505/GR in that AS-505A/GR has a 4-1/2-foot mounting extension instead of the 3-foot one for AS-505/GR. Antenna AS-505B/GR is the only one of this series whose cognizant agency is RCAF 485; otherwise, it is similar to AS-505/GR. Antenna AS-505C/GR differs from AS-505/GR only in mechanical design.

COGNIZANT AGENCY: AS-505/GR ... WL-50-1093; AS-505A/GR ... WL-52-1894; AS-505B/GR ... RCAF 485; AS-505C/GR ... WL-58-1336.

MANUFACTURERS: Collins Radio Co., procurement contract AF 33(030)-6135.

STOCK NUMBERS: AS-505/GR ... Federal Stock Number F5985-217-1601; AS-505A/GR ... Federal

REFERENCES:

- 1) U. S. Air Force, Illustrated Parts Breakdown for Radio Set AN/GRC-27, TO 31R2-2GRC27-4, (April 1, 1958). UNCLASSIFIED.
- 2) U. S. Air Force Exhibit ENG-240.
- 3) Government Specification MIL-A-4852A.

.....

ANTENNA AS-506/SPS-4

FREQUENCY: SHF band, 5450 - 5825 mc.

parabolic-cylinder reflector and a hoghorn feed. A waveguide switch is used to alternate antennas to give coverage of essentially 0° to 90° in elevation. Dimensions are 26 inches high and 84 inches wide for the surface reflector and 59 inches high and 60 inches wide for the zenith reflector.

TYPE: One parabolic cylinder and one modified cut paraboloid with waveguide feed.

DESCRIPTION: The antenna assembly consists of two antennas, a surface search and a zenith search. The zenith search antenna consists of a clear-shell reflector, a modified cut paraboloid, fed by a horn. The surface search antenna is mounted in front of the zenith search antenna and consists of a slatted,

INSTALLATION: Shipboard.

ASSOCIATED EQUIPMENT: Radar Set AN/SPS-4. Equipment function - search, air; and search, surface.

UNCLASSIFIED

MISCELLANEOUS: Additional information is available in the confidential document listed below as Reference 3 and Volume 5 of this catalog series.

COGNIZANT AGENCY: U. S. Navy, development contract Navy BuShips SHIPS-R-34Y.

MANUFACTURERS: Raytheon Mfg. Co., Procurement contract NObsr-52274.

STOCK NUMBER: Federal Stock Number F 5840-296-3825.

REFERENCES:

- 1) U. S. Navy, Navy Stock List of the Electronics Supply Office, (Feb. 1958). UNCLASSIFIED.

- 2) U. S. Navy Bureau of Ships, Antenna Systems, Shipboard Antenna Details, Chapter 6, NAVSHIPS 900121(A). UNCLASSIFIED.
- 3) U. S. Navy Bureau of Ships, Antenna Data Sheets, Shipboard Antenna Details, Chapter 5, NAVSHIPS 900121(A), (Jan. 1, 1959). CONFIDENTIAL
- 4) U. S. Department of Defense Nomenclature Card.



ANTENNA AS-511()/SPS-5

FREQUENCY: SHF band, 6275 - 6575 mc.

TYPE: Modified cut-paraboloidal reflector with hophorn feed.

DESCRIPTION: The antenna consists of a slatted, modified, cut paraboloidal reflector and a hophorn feed. The reflector is 3/4 inches high and 88 inches wide. RG-106/U waveguide is used. Overall dimensions are approximately 5 feet high, 7-1/2 feet wide, and 3-2/3 feet deep.

BEAM DATA:

Gain - 28 db.
Half-power beamwidth - Vertical - 15°, csc² from 7-1/2° to 22°. Horizontal - 1.5°. Polarization - Horizontal.

SCAN DATA: Reference 1) states that the antenna is rotated in the azimuth plane at 17 revolutions per minute and is manually tilted to 65°, giving 85° vertical coverage.

INSTALLATION: Shipboard.

ASSOCIATED EQUIPMENT: Radar Set AN/SPS-5. Equipment function - search, air; and search, surface. Range - 15 miles.

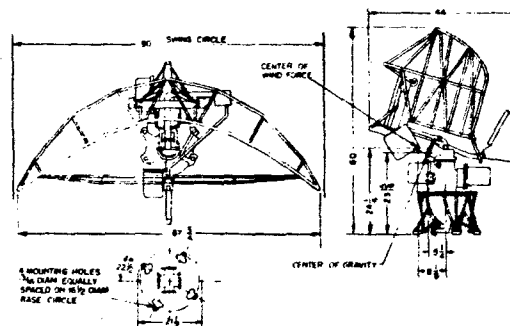
COGNIZANT AGENCY: U. S. Navy.

MANUFACTURER: Raytheon Mfg. Co., procurement contract NObsr-42183.

STOCK NUMBER: Federal Stock Number F 5985-501-4829.

REFERENCES:

- 1) U. S. Navy Bureau of Ships, Antenna Data Sheets, Shipboard Antenna Details, Chapter 5, NAVSHIPS 900121(A), (Jan. 1, 1959). CONFIDENTIAL.



AS-511()/SPS-5

- 2) Raytheon Drawing No. M-180A-W2.
- 3) BuShips Specification CS-854A.
- 4) Edward Ornstein, U. S. Navy Radar Systems Survey, NRL Report 4963, Washington, D. C.: Naval Research Laboratory (Nov. 22, 1957). ASTIA Report No. AD-153211. SECRET.
- 5) U. S. Department of Defense Nomenclature Card.



ANTENNA AS-514/URD-48()

FREQUENCY: VHF and UHF bands, 225.0 - 399.9 mc.

TYPE: Adcock antenna.

DESCRIPTION: AS-514/URD-48() is a rotating,

twin-dipole, Adcock antenna array. Sense information is obtained by shifting the phase of a portion of the incoming signal before combining voltages from the antenna elements. The antenna system is designed for use with vertically polarized signals.

UNCLASSIFIED



AS-514/URD-4

Accurate direction-finding information is provided, however, from signals polarized as much as 45 degrees from vertical. Input impedance is 52 ohms.

BEAM DATA:

Beam type - figure of eight or bent figure of eight in azimuth.
Polarization - Vertical.

SCAN DATA: 360° mechanical azimuth rotation at 825 revolutions per minute.

INSTALLATION: Ground or shipboard.

ASSOCIATED EQUIPMENT: Direction Finder Set AN/URD-4. Equipment function - navigation, direction finding; and countermeasures, direction finding.

COGNIZANT AGENCY: U. S. Navy.

MANUFACTURERS: Bendix Radio Division, procurement contracts NObsr-52513 and NObsr-57098.

STOCK NUMBER: Federal Stock Number F5985-285-0795.

REFERENCES:

- 1) Bendix Radio Division Drawing OR650001-1.
- 2) U. S. Military Specification MIL-D-16252.
- 3) U. S. Department of Defense Nomenclature Card.

.....
ANTENNA AS-515()/SPG

FREQUENCY: SHF band, 8500 - 9600 mc.

TYPE: Cutler feed.

DESCRIPTION: The antenna consists of the rotation and tilt mechanisms, the waveguide assembly, and the feed for a nutating antenna. The actual feed is a Cutler feed on a 14-inch section of rectangular waveguide. The reflector used with this antenna is the AT-194()/SPG, a 40-inch diameter paraboloid constructed of plastic and fiberglass. However, this reflector is not listed as part of AS-515()/SPG. Overall dimensions are 11-7/8 inches wide, 14-1/2 inches high, and 35 inches long.

BEAM DATA:

Gain - 36 db.
Half-power beamwidth - Conical scan, 2.4°. Spiral scan, 12.4° (effective).

SCAN DATA: The antenna has either spiral or conical electromechanical scan. The spiral scan rate is 2 cycles per second and the

conical nutation speed is 1735 revolutions per minute.

INSTALLATION: Shipboard.

ASSOCIATED EQUIPMENT: Radar Sets AN/SPG-34, AN/SPG-48, and Radar Equipment Mark 34 Mod 17. Equipment function - fire control. Range - 39,000 yards.

MISCELLANEOUS: AN-194A/SPG will also accommodate Mark 16 Mod 2 antenna.

COGNIZANT AGENCY: U. S. Navy.

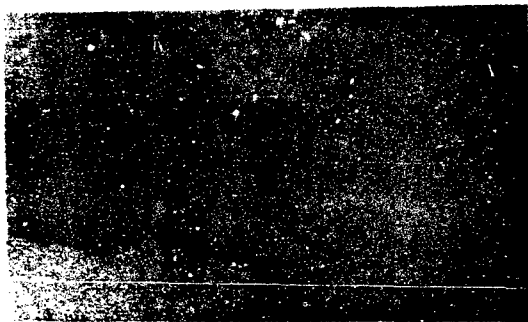
MANUFACTURER: Western Electric Co., procurement contract NORd-10746.

STOCK NUMBER: Feed Horn ... Navy Stock Number N 5985-333-2534.

REFERENCES:

- 1) U. S. Navy Bureau of Ordnance, Antenna AS-515()/SPG, Maintenance Manual, NAVORD OD 10126, (Jan. 5, 1955). UNCLASSIFIED.

UNCLASSIFIED



AS-515/SPG

- 2) U. S. Navy Bureau of Ordnance, Radar Set AN/SPG-34 Maintenance, NAVORD OP 2028, Volume 2, (June 25, 1953). UNCLASSIFIED.

ANTENNA AS-522(*)/BFX

FREQUENCY: UHF band, 960 - 1050 mc.

TYPE: Conical antenna.

DESCRIPTION: The antenna has a conical, vertical, quarter-wave radiating element and a small circular ground plane. It is enclosed in a sealed polyethylene dome and is constructed of aluminum with a brass support. RG-14/U coaxial cable is used outside the pressurized dome and housing; RG-74/U, inside. A type-N connector is attached to the bottom of the antenna. The antenna is designed for mast mounting, and is part of AS-523/BPX, AS-524/BPX, and AS-525/BPX antenna assemblies. Overall dimensions are 6-1/2 inches high and 4-3/4 inches maximum diameter.

BEAM DATA:

Beam type - Omnidirectional in azimuth.
Polarization - Vertical.

INSTALLATION: Shipboard (submarine).

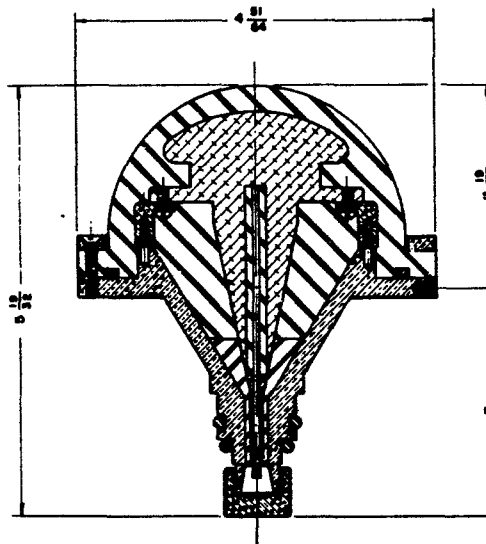
ASSOCIATED EQUIPMENT: AN/UPX-1, AN/UPX-5, and Mark 10 system. Equipment function - IFF.

MISCELLANEOUS: AS-522(*)/BFX denotes AS-522/BPX, AS-522A/BPX, and AS-5223/BPX.

COGNIZANT AGENCY: U. S. Navy.

MANUFACTURER: Watson Elevator Co., Englewood, N. J., contracts NObsr-52282, Mbsr-64546 and NObsr-71059.

STOCK NUMBERS: Federal Stock Numbers F 5985-665-2657 for AS-522/BPX, F 5985-296-5377 for AS-522A/BPX, and F 5985-508-0098 for AS-522B/BPX.



AS-522(*)/BFX

REFERENCES:

- 1) Bureau of Ships, Instruction Book for Submarine Antennas AS-522/BPX, AS-468/B, AS-535/B and Antenna Assemblies AS-523/BPX, AS-524/BPX, AS-525/BPX. UNCLASSIFIED
- 2) U. S. Navy Bureau of Ships, Antenna Data Sheets, Shipboard Antenna Details, Chapter 5, NAVSHIPS 900121(A), (Jan. 1, 1959) CONFIDENTIAL.
- 3) BuShips drawing RE66D621B.

ANTENNA ASSEMBLY AS-523/BPX(*)

MAJOR COMPONENTS: 1 AS-468/B antenna, 1 AS-522/BPX and 1 AS-234/B antenna support base.

FREQUENCY: VHF and UHF bands, 225 - 390 mc and 960 - 1050 mc.

TYPE: One conical antenna and one dipole.

DESCRIPTION: The antenna assembly consists of an AS-522/BPX antenna mounted on top of an AS-468/B antenna, which is mounted on an AB-234/B antenna support base.

BEAM DATA: (both antennas)
Beam type - Omnidirectional in azimuth.
Polarization - Vertical.

INSTALLATION: Shipboard (submarine).

ASSOCIATED EQUIPMENT: Radio sets AN/URR-13, TED, and TDZ - RDZ. Equipment function - communications.

AN/UPX-1 and AN/UPX-5. Equipment function - IFF.

COGNIZANT AGENCY: U. S. Navy.

MANUFACTURER: U. S. Navy Underwater Sound Laboratory.

REFERENCES:

- 1) Bureau of Ships, Instruction Book for Submarine Antennas AS-522/BPX, AS-468/B, AS-535/B and Antenna Assemblies AS-523/BPX, AS-524/BPX, AS-525/BPX. UNCLASSIFIED.
- 2) BuShips drawing RE66D623.
- 3) U. S. Navy Bureau of Ships, Antenna Data Sheet, Shipboard Antenna Details, Chapter 5, NAVSHIPS 900121(A), (Jan. 1, 1959).

.....
ANTENNA ASSEMBLY AS-524/BPX(4)

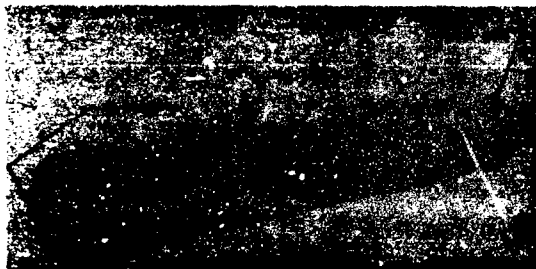
MAJOR COMPONENTS: 1 AS-522/BPX antenna, 1 AS-535/B antenna, and 1 AB-234/B antenna support base.

FREQUENCY: VHF and UHF bands, 110-156 mc and 960 - 1050 mc.

TYPE: One conical antenna and one dipole.

DESCRIPTION: The antenna assembly consists of an AS-522/BPX antenna mounted on an AS-535/B antenna, which is mounted on an AB-234/B antenna support base.

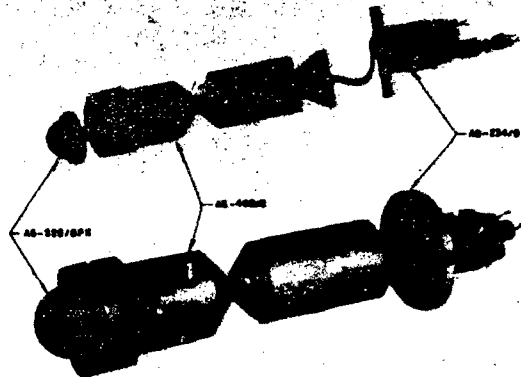
BEAM DATA: (both antennas)
Beam type - Omnidirectional in azimuth.



AS-524/BPX(4)

CONFIDENTIAL

- 4) U. S. Navy, Navy Stock List of the Electronics Supply Office, (Feb. 1958). UNCLASSIFIED.



AS-523/BPX(1)

Polarization - Vertical.

INSTALLATION: Shipboard (submarine).

ASSOCIATED EQUIPMENT: Radio Sets ECR-624, AN/ARC-1, and TDZ-RCK. Equipment function - communications.

AN/UPX-1, AN/UPX-5, and Mark 10 System. Equipment function - IFF.

COGNIZANT AGENCY: U. S. Navy.

MANUFACTURER: U. S. Navy Underwater Sound Laboratory.

REFERENCES:

- 1) Bureau of Ships, Instruction Book for Submarine Antennas AS-522/BPX, AS-468/B, AS-535/B and Antenna Assemblies AS-523/BPX, AS-524/BPX, AS-525/BPX. UNCLASSIFIED.
- 2) U. S. Navy Bureau of Ships, Antenna Data Sheets, Shipboard Antenna Details, Chapter 5, NAVSHIPS 900121(A), (Jan. 1, 1959). CONFIDENTIAL.
- 3) BuShips drawing RE66D624.
- 4) U. S. Navy, Submarine Antenna Systems Summary, SSK240 Class, Fort Trumbull, New London, Conn.: U. S. Navy Underwater Sound Laboratory, (Feb. 19, 1958).

UNCLASSIFIED

ANTENNA ASSEMBLY AS-525/BPX&()

MAJOR COMPONENTS: 1 AS-522/BPX antenna, 1 AS-468/B antenna, 1 AS-535/B antenna, and 1 AB-234/B antenna support base.

FREQUENCY: VHF and UHF bands, 110 - 156 mc, 225 - 390 mc, and 960 - 1050 mc.

TYPE: One conical antenna and two dipoles.

DESCRIPTION: The antenna assembly consists of three antennas stacked vertically, with an AS-535/B antenna on the bottom, an AS-468/B in the center, and an AS-522/BPX antenna on the top. The assembly is mounted on an AB-234/B antenna support base.

BEAM DATA: (all three antennas) Beam type - Omnidirectional in azimuth. Polarization - Vertical.

INSTALLATION: Shipboard (submarine).

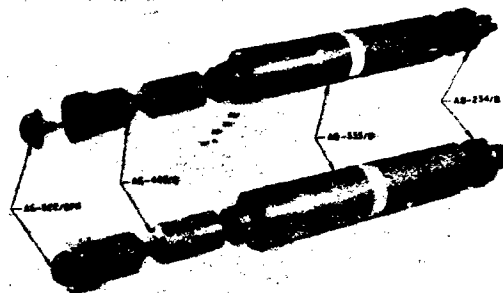
ASSOCIATED EQUIPMENT: Radio Sets AN/URR-13, TED, TDZ-RDZ, SCR-624, AN/ARC-1, and TDQ-RCK. Equipment function - communications. AN/UPX-1, AN/UPX-5, and Mark 10 system. Equipment function - IFF.

COGNIZANT AGENCY: U. S. Navy.

MANUFACTURER: U. S. Navy Underwater Sound Laboratory.

REFERENCES:

- 1) Bureau of Ships, Instruction Book for Submarine Antennas AS-522/BPX, AS-468/B, AS-535/B and Antenna Assemblies AS-523/BPX, AS-524/BPX, AS-525/BPX. UNCLASSIFIED.
2) U. S. Navy Bureau of Ships, Antenna Data Sheets, Shipboard Antenna Details, Chapter 5, NAVSHIPS 900121(A), (Jan. 1, 1959). CONFIDENTIAL.
3) BuShips drawing RE66D625.



AS-525/BPX&()

ANTENNA AS-535/B&()

FREQUENCY: VHF band, 110 - 156 mc.

TYPE: Dipole.

DESCRIPTION: The antenna consists of two brass cylinders mounted around a stainless-steel supporting tube to form a vertical dipole. The lower cylinder, in addition to forming half of the dipole, acts as a balun. The dipole is center fed by a length of RG-58/U coaxial cable which terminates on a UG-536/U connector located on the bottom of AB-234/B antenna support. An isolating sleeve is included and is bolted to the top of the antenna. Overall dimensions of the antenna are 51 inches high and 7-3/4 inches in diameter. The antenna is part of AS-524/BPX and AS-525/BPX antenna assemblies.

BEAM DATA:

Beam type - Omnidirectional in azimuth. Polarization - Vertical.

INSTALLATION: Shipboard (submarine).

ASSOCIATED EQUIPMENT: Radio Sets SCR-624, AN/ARC-1, and TDQ-RCK. Equipment function - communications.

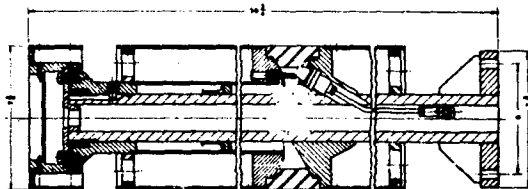
COGNIZANT AGENCY: U. S. Navy.

MANUFACTURER: Watson Elevator Co.

STOCK NUMBER: Federal Stock Number F 5985-665-2654.

REFERENCES:

- 1) Bureau of Ships, Instruction Book for Submarine Antennas AS-522/BPX, AS-468/B, AS-535/B and Antenna Assemblies AS-523/BPX, AS-524/BPX, AS-525/BPX. UNCLASSIFIED.
2) U. S. Navy Bureau of Ships, Antenna Data Sheets, Shipboard Antenna Details, Chapter 5, NAVSHIPS 900121(A), (Jan. 1, 1959). CONFIDENTIAL.
3) BuShips drawing RE66D622H.



AS-535/B&()

UNCLASSIFIED

ANTENNA AS-594()/BPS-4

FREQUENCY: SHF band, 3400 - 3700 mc.

TYPE: Modified cut-paraboloidal reflector with a dual horn feed.

DESCRIPTION: The antenna consists of slatted, modified, cut-paraboloidal reflector 48-5/16 inches wide and 32-1/2 inches high and a dual feed horn that provides both IFF and search feeds. RG-48/U rectangular waveguide feeds the search horn, and RG-8/U coaxial cable, which feeds a coaxial-line-to-waveguide transformer is used for the IFF horn. The overall height of the antenna is 37-1/2 inches, and overall depth is 26-29/32 inches. Construction is of cast and machined aluminum.

BEAM DATA:

Gain - 23.5 db (search.) 11 db (IFF).
Half-power beamwidth - Vertical - csc² type to 50°. Horizontal - 5.3° (search). 18° (IFF).
Polarization - horizontal (search). Vertical (IFF).

SCAN DATA: The antenna has 360° mechanical azimuth rotation at speeds from zero to six revolutions per minute.

INSTALLATION: Shipboard, submarine.

ASSOCIATED EQUIPMENT: Radar Set AN/BPS-4.
Equipment function - search, air, search, surface, and IFF. Range - 30,000 yards to 10,000 feet.

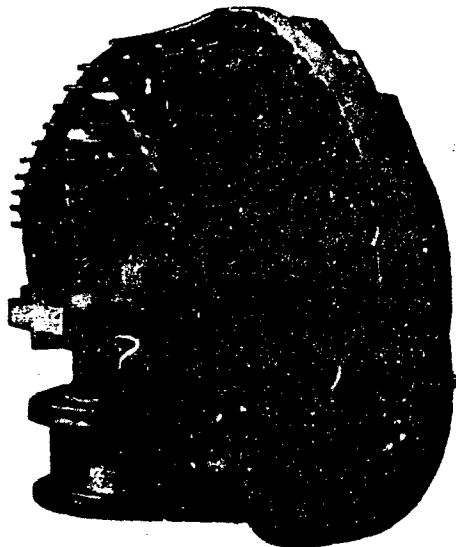
COGNIZANT AGENCY: U. S. Navy.

MANUFACTURERS: Westinghouse Electric Corp., procurement contract NObsr-42988; Stavid Engineering, Inc., procurement contract NObsr-57068.

STOCK NUMBER: Navy Stock Number N16-52920-100L

REFERENCES:

- 1) U. S. Navy Bureau of Ships, Instruction Book for Radar Set AN/BPS-4, NAVSHIPS 91621, (June 1952). UNCLASSIFIED.
- 2) Westinghouse drawing DL-7504247.



AS-594()/BPS-4.



ANTENNA AS-599()/SPN-11A()

FREQUENCY: SHF band, 9320 - 9430 mc.

TYPE: Parabolic cylinder with hoghorn feed.

DESCRIPTION: The antenna consists of a slatted parabolic-cylinder reflector, a hoghorn feed, and the pedestal assembly. The reflector is constructed of cast aluminum, is 50 inches wide and 13-3/8 inches high. The antenna is designed for use with RG-51/U rectangular waveguide. Overall dimensions are 33-3/4 inches high, 50 inches wide, and 22-1/2 inches deep.

SCAN DATA: 360° mechanical azimuth rotation at 17 revolutions per minute.

INSTALLATION: Shipboard.

ASSOCIATED EQUIPMENT: Radar Set AN/SPN-11A()
Equipment function - search, surface. Range - 20 nautical miles.

COGNIZANT AGENCY: SCL-11351.

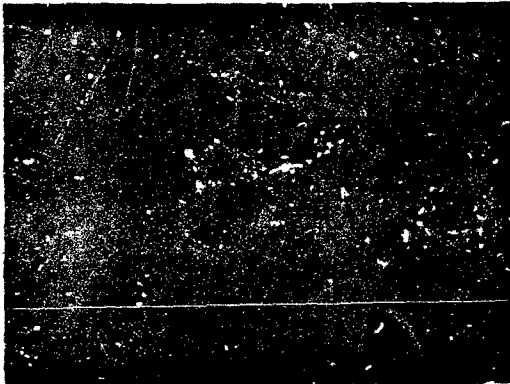
MANUFACTURERS: Radiomarine Corp. of America, Procurement contract order 6270-PHILA-51.

BEAM DATA:

Gain - 28 db.
Half-power beamwidth - Vertical - 20°. Horizontal - 1.9°.
Beam type - Fan.
Polarization - Horizontal.

STOCK NUMBERS: Federal Stock Number 5985-243-0437. Reflector only ... Federal Stock Number F 5985-280-3492.

UNCLASSIFIED



AS-599()/SPN-11&()

REFERENCES:

- 1) Department of the Army, Radar Sets AN/SPN-11X, AN/SPN-11Y and AN/SPN-11Z Installation and Operation, Technical Manual, TM 11-1335, (Oct. 1952). UNCLASSIFIED.
- 2) Manufacturer Part/Drawing No. KS-1670.
- 3) U. S. Department of Defense Nomenclature Card.

ANTENNA AS-601/SPN-13

FREQUENCY: SHF band, 3030 - 3110 mc and 9335 - 9415 mc.

TYPE: Parabolic-cylinder reflector.

DESCRIPTION: The antenna consists of a slatted reflector with a dual-frequency horn feed. It mounts by 13/16-inch mounting holes on a 16-1/2-inch bolt circle.

BEAM DATA:
Polarization - Horizontal.

SCAN DATA: The antenna has a motor-driven rotating mechanism.

INSTALLATION: Shipboard.

ASSOCIATED EQUIPMENT: Radar Set AN/SPN-13.
Equipment function - navigation.

COGNIZANT AGENCY: U. S. Navy.

MANUFACTURER: General Electric Company.

- REFERENCES:
- 1) General Electric drawing PL766841101.
 - 2) U. S. Department of Defense Nomenclature Card.

ANTENNA AS-603/SPS-12

FREQUENCY: UHF band, 1250 - 1350 mc; VSWR < 1.5.

TYPE: Cut paraboloidal reflector with horn feed.

DESCRIPTION: The antenna consists of a cut paraboloidal reflector with a stainless-steel-mesh reflecting surface, and a flared waveguide horn. The reflector is 91-1/2 inches high and 205 inches wide. The antenna mounts by 24 bolts through holes equally spaced on a 23-3/4-inch bolt circle. The feed horn connects to standard L-band waveguide. The total weight of the antenna is 1000 pounds.

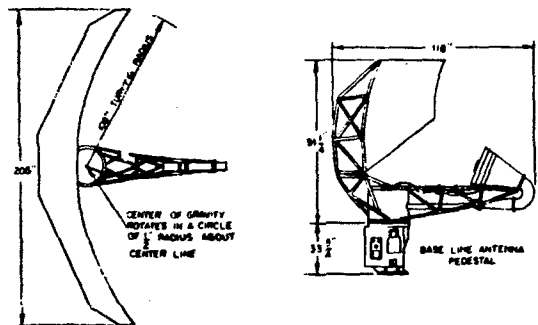
BEAM DATA:
Half-power beamwidth - Horizontal -3°.
Beam type - 30° csc² coverage in elevation.
Polarization - Horizontal.

SCAN DATA: The antenna rotates in azimuth through 360° at a rate that can be varied from 2-1/2 to 15 revolutions per minute.

INSTALLATION: Shipboard.

ASSOCIATED EQUIPMENT: Radar Set AN/SPS-12.
Equipment function - search, air. Range - 200 miles.

COGNIZANT AGENCY: U. S. Navy, code 821.



AS-603/SPS-12

UNCLASSIFIED

MANUFACTURER: Radio Corporation of America, contract NObsr 49146.

STOCK NUMBER: Federal Stock Number F 5985-369-5470.

REFERENCES:

- 1) U. S. Navy Bureau of Ships, Antenna Data Sheets, Shipboard Antenna Details, Chapter 5, NAVSHIPS 900121(A), (Jan. 1, 1959). CONFIDENTIAL.

2) U. S. Navy, Navy Stock List of the Electronics Supply Office, (Feb. 1958). UNCLASSIFIED.

3) RCA Outline Drawing 8-314158.

4) NAVSHIPS 91949A



ANTENNA AS-614/SRD-9

FREQUENCY: VHF and UHF bands, 225 - 400 mc.

COGNIZANT AGENCY: U. S. Navy, code 840.

TYPE: Parasitic array.

MANUFACTURER: Federal Telecommunication Laboratories, contract NObsr 42410.

DESCRIPTION: The antenna consists of an aluminum reflector and a parasitic array with two driven elements and two parasitic elements. The antenna is designed to be used with a 52-ohm coaxial transmission line.

REFERENCES:

- 1) Federal Telecommunication Laboratories drawing RX-327277-2A.
- 2) U. S. Navy Specification CS-885.
- 3) U. S. Department of Defense Nomenclature Card.

BEAM DATA:

Beam type - Unidirectional (half of a figure eight).

INSTALLATION: Shipboard.

ASSOCIATED EQUIPMENT: Direction Finder Set AN/SRD-9. Equipment function - direction finding.



ANTENNA ASSEMBLY AS-615/SPS-10

FREQUENCY: IFF ... UHF band, 1001.5 - 1038.5 mc and 1081.5 - 1118.5 mc; Radar ... SHF band, 5450 - 5825 mc.

BEAM DATA:

	Radar	IFF
Gain -	30 db	16.75 db
<u>Half-power beamwidth</u> -		
Vertical -	12° to 16°	22°
Horizontal -	1.5°	6°
<u>Beam type</u> -	csc ² from +7° to 22°	fan
<u>Polarization</u> -	horizontal	vertical

TYPE: Parabolic-cylinder reflector with modified hohorn radar feed and monopole IFF feed.

DESCRIPTION: The radar section of the antenna consists of a horizontally slatted parabolic cylinder fed by a hohorn. The reflecting barrier of the hohorn is a modified parabolic surface which produces a beam with csc² distribution in the vertical plane. The reflector is 120 inches wide by 30 inches high, and has a focal length of 35-1/2 inches.

The IFF section of the antenna consists of a parabolic-cylinder reflector with a feed made up of a radiating element and six parasitic elements. The parabolic-cylinder reflector for the IFF section is made up of vertical rods located just behind the horizontal slats of the radar reflector. The IFF feed consists of an end-fed, full-wavelength radiating rod located in front of the mouth of the hohorn. A corner reflector made up of six vertical rods, located three on each side of the hohorn, directs the IFF energy to the parabolic-cylinder reflector. The total weight of the antenna is 313 pounds.

SCAN DATA: The antenna rotates through 360° in azimuth at 16 revolutions per minute.

TUNING/MATCHING DEVICES: The IFF feed of the antenna has a matching section.

INSTALLATION: Usually shipboard, sometimes ground (shore).

ASSOCIATED EQUIPMENT: Radar Set AN/SPS-10. Equipment function - search, surface; and IFF.

COGNIZANT AGENCY: U. S. Navy.

MANUFACTURER: Sylvania Electric Products, Inc., contracts NObsr 49015, NObsr 52166, and NObsr 52321.

STOCK NUMBER: Federal Stock Number F5985-328-7962.

UNCLASSIFIED

REFERENCES:

- 1) Department of the Navy, Radar Set AN/SPS-10, Instruction Book, (May 4, 1953). UNCLASSIFIED.

- 2) Sylvania Drawing 89-82700-1.
- 3) Signal Corps Specification MIL-R-10109.

.....

ANTENNA AS-623/UP

FREQUENCY: SHF band, 9800 - 10,000 mc; VSWR < 1.3.

COGNIZANT AGENCY: SCLE-4156.

TYPE: Paraboloidal reflector with Cutler feed.

STOCK NUMBER: U. S. Navy R-16-PH-358-4304 for the reflector only.

DESCRIPTION: The antenna consists of an 18-inch paraboloidal reflector with a focal length of 5.66 inches and a Cutler-type feed. The antenna mounts on a tripod by means of a clamp. The antenna is designed for an RG-67/U waveguide.

REFERENCES:

- 1) Signal Corps Drawing ES-C-118135 for Cutler feed only.
- 2) U. S. Department of Defense Nomenclature Card.

.....

ANTENNA AS-651/SPS-5B

FREQUENCY: SHF band, 6275 - 6575 mc.

MANUFACTURER: Raytheon Manufacturing Co., contract N0bsr-57072.

TYPE: Parabolic-cylinder reflector with a hoghorn feed.

STOCK NUMBERS: Federal Stock Numbers F 5840-090-2660 without spares and F 5840-644-3066 with spares.

DESCRIPTION: The antenna consists of a slatted parabolic cylinder fed by a hoghorn. The reflector is 84 inches wide by 26 inches high. The antenna mounts by four 3/4-inch clearance holes equally spaced on a 16-1/2-inch bolt circle. The total weight of the antenna is 102 pounds.

REFERENCES:

- 1) U. S. Navy Bureau of Ships, Antenna Data Sheets, Shipboard Antenna Details, Chapter 5, NAVSHIPS 900121(A), (Jan. 1, 1959). CONFIDENTIAL.
- 2) Edward Ornstein, U. S. Navy Radar Systems Survey, NRL Report 4963, Washington, D. C.: Naval Research Laboratory (Nov. 22, 1957). ASTIA Report No. AD-153211. SECRET.
- 3) NAVSHIPS 91958.
- 4) Government Specification SHIPS-R-800.

BEAM DATA:

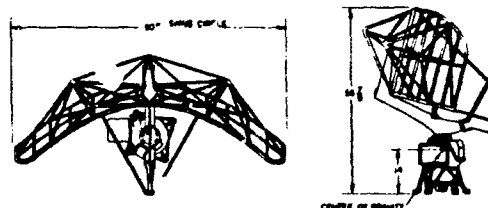
Gain - 28 db.
 Half-power beamwidth - vertical - 15°. Horizontal - 1.5°. Beam type - The half-power points of the beam in the vertical plane are at -7.5° and +7.5°. The beam has csc² coverage in the vertical plane from +7.5° to +22°. Polarization - Horizontal.

SCAN DATA: The antenna rotates in azimuth through 360° at a rate of 17 revolutions per minute. It is manually tiltable in elevation from 0° to 65°.

INSTALLATION: Shipboard, PT boats and other small craft.

ASSOCIATED EQUIPMENT: Radar Set AN/SPS-5B. Equipment function - Search. Range - 15 miles.

COGNIZANT AGENCY: U. S. Navy, code 831.



AS-651/SPS-5B

.....

ANTENNA ASSEMBLY AS-658/BRD-3

FREQUENCY: VHF and UHF bands, 225 - 400 mc.

TYPE: Adcock antenna.

UNCLASSIFIED

DESCRIPTION: The antenna consists of a two-dipole, rotatable Adcock antenna array enclosed in a pressurized capsule 68 inches high and 17-5/8 inches in diameter. Also enclosed in the capsule are the antenna drive motor, the balun, the tone wheel and the motor which rotates the antenna inside the capsule. The total weight of the assembly is 300 pounds.

BEAM DATA:

Beam type - figure eight without sense antenna and cardioid with sense antenna.
Polarization - Vertical.

SCAN DATA: The antenna rotates in azimuth at a rate of 825 revolutions per minute.

INSTALLATION: Shipboard, submarines.

ASSOCIATED EQUIPMENT: Direction Finder Set AN/BRD-3. Equipment function - direction finding.

MISCELLANEOUS: Antenna Assembly AS-658/BRD-3 is Antenna Assembly AS-514/URD-4 modified for use on submarines.

COGNIZANT AGENCY: U. S. Navy code 842.

MANUFACTURER: Bendix Radio Div., Towson, Md., contract NObar 57426.

REFERENCES:

- 1) U. S. Navy Bureau of Ships, Antenna Data Sheet, Shipboard Antenna Details, Chapter 5, NAVSHIPS 900121(A), (Jan. 1, 1959). CONFIDENTIAL.
- 2) BuShips Specification MIL-D-16701.
- 3) BuShips drawing RE 36F2019.
- 4) U. S. Department of Defense Nomenclature Card.



ANTENNA AS-659/SPN-18

FREQUENCY: SHF band, 9320 - 9430 mc.

TYPE: Parabolic-cylinder reflector with a hognorn feed.

DESCRIPTION: The antenna consists of a slatted, parabolic-cylinder reflector, a hognorn feed, and a pedestal assembly. The reflector is constructed of cast aluminum. It is 50 inches wide and 13-3/8 inches high. The antenna is designed to be connected to RG-51/U rectangular waveguide. The overall assembly is 33-3/4 inches high, 50 inches wide, and 22-1/2 inches deep.

BEAM DATA:

Gain - 28 db.
Half-power beamwidth - Vertical - 20°. Horizontal - 1.9°.
Beam type - Fan.
Polarization - Horizontal.

SCAN DATA: The antenna rotates through 360° in azimuth at a rate of 9 revolutions per minute.

INSTALLATION: Shipboard.

ASSOCIATED EQUIPMENT: Radar Sets AN/SPN-18 and AN/SPN-18X. Equipment function - navigation, direction finding; and search, surface.

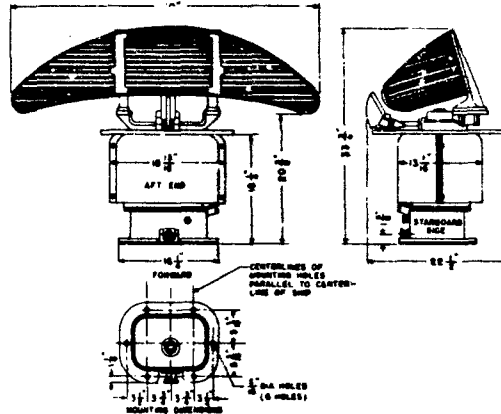
MISCELLANEOUS: Antenna AS-659/SPN-18 in the same as AS-599/SPN-11, but it rotates at a slower speed.

COGNIZANT AGENCY: SCIM-7033.

MANUFACTURER: Radiomarine Corporation of America, contract 3295-PH-52-02.

REFERENCES:

- 1) Department of the Army, Radar Sets AN/SPN-18 and -18X Installation and Operation, TM 11-1330, (Jan. 1955). UNCLASSIFIED.
- 2) Department of the Army, Radar Sets AN/SPN-18 and AN/SPN-18X, Technical Manual, TM 11-1530, (April 1955). UNCLASSIFIED.
- 3) Radiomarine drawing RS-2360.



AS-659/SPN-18



UNCLASSIFIED

ANTENNA AS-668/SR

MAJOR COMPONENTS: 3 AT-150/SRC dipoles, 3 A-101 radomes, add 1 corner reflector.

FREQUENCY: VHF and UHF bands, 220 - 400 mc; VSWR < 3.

TYPE: Corner reflector with 3 collinear dipole feeds.

DESCRIPTION: The antenna consists of a corner reflector made of expanded metal and three AT-150/SRC vertical dipoles which are mounted in a vertical line about 11 inches in front of the apex of the reflector. The two sections of the reflector are bent back so that their reflecting surfaces form a 300° angle. Each of the dipoles is covered by a fiberglass radome. The dipoles are fed in phase by 50-ohm coaxial cables. The overall assembly is 122 inches high, 52 inches wide, and 54-1/4 inches deep.

BEAM DATA:

Gain - 7 db above a dipole at the center frequency.

Half-power beamwidth - Horizontal - Approximately 180° at the center frequency.

Polarization - Vertical.

TUNING/MATCHING DEVICES: A quarter wavelength impedance transformer, Z-101, matches the three dipole feed cables to a common 52-ohm cable.

INSTALLATION: Shipboard.

ASSOCIATED EQUIPMENT: Various radio sets. Equipment function - communications, ship, air.

COGNIZANT AGENCY: U. S. Navy, code 838.

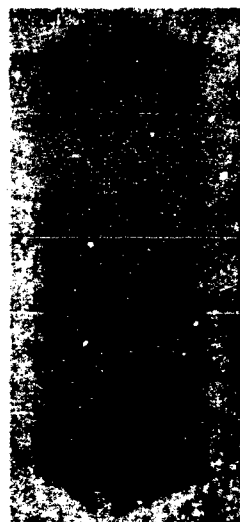
MANUFACTURER: Federal Telecommunications Laboratories, contract NObsr-52349.

STOCK NUMBER: Navy F16-A-51990-6101.

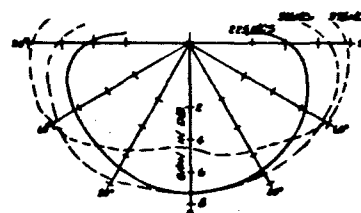
REFERENCES:

- 1) U. S. Navy Bureau of Ships, Instruction Book for Transmitter Control C-1277/SR, Antenna AS-668/SR, and Relay Assembly RE-156/SR, NAVSHIPS 92195, (Mar. 31, 1954) UNCLASSIFIED.

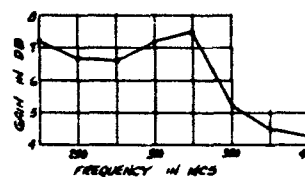
- 2) Government Specification SHIPS-A-709.



AS-668/SR



A. GAIN vs. FREQUENCY



B. GAIN vs. FREQUENCY

AS-668/SR Gain Over Dipole

ANTENNA AS-677/URN-3

See OA-553/URN-3.

ANTENNA AS-678/URN-3

See OA-554/URN-3.

UNCLASSIFIED

ANTENNA AS-695/SPS

FREQUENCY: SHF band, 5450 - 5825 mc.

TYPE: Parabolic-cylinder reflector with a hoghorn feed.

DESCRIPTION: The antenna is a slatted parabolic cylinder, 31 inches wide and 84 inches long, with a hoghorn feed. The antenna is designed for connection to rectangular waveguide and for mast-head mounting by eight 3/4-inch bolts equally spaced on a 16-1/4-inch-diameter bolt circle.

SCAN DATA: The antenna tilts in elevation from -5° to +90° and rotates in azimuth through 360°. It has provision for automatic sector scan.

INSTALLATION: Shipboard.

ASSOCIATED EQUIPMENT: A shipboard radar set similar to AN/SPS-5. Equipment function - search, air; and search, surface.

MISCELLANEOUS: AS-695/SPS is the same as AS-696/SPS except for frequency range and size of input waveguide.

COGNIZANT AGENCY: U. S. Navy, code 821.

MANUFACTURER: Dalmo Victor Co., contract NObsr 57550.

REFERENCES:

- 1) BuShips Specification MIL-A-16681A.
- 2) U. S. Department of Defense Nomenclature Card.



ANTENNA AS-696/SPS

FREQUENCY: SHF band, 6275 - 6576 mc.

TYPE: Parabolic-cylinder reflector with a hoghorn feed.

DESCRIPTION: The antenna is a slatted parabolic cylinder, 31 inches wide by 84 inches long, with a hoghorn feed. The antenna is designed for connection to rectangular waveguide and for mast-head mounting by eight 3/4-inch bolts equally spaced on a 16-1/4-inch-diameter bolt circle.

SCAN DATA: The antenna tilts in elevation from -5° to +90° and rotates in azimuth through 360°. It has provision for automatic sector scan.

INSTALLATION: Shipboard.

ASSOCIATED EQUIPMENT: Radar Set AN/SPS-5. Equipment function - search, air; and search, surface.

MISCELLANEOUS: AS-696/SPS is the same as AS-695/SPS except for frequency range and size of waveguide used.

COGNIZANT AGENCY: U. S. Navy, code 821.

MANUFACTURER: Dalmo Victor Co., contract NObsr 57550.

REFERENCES:

- 1) BuShips Specification MIL-A-16681A.
- 2) U. S. Department of Defense Nomenclature Card.



ANTENNA AS-710/SPS-21

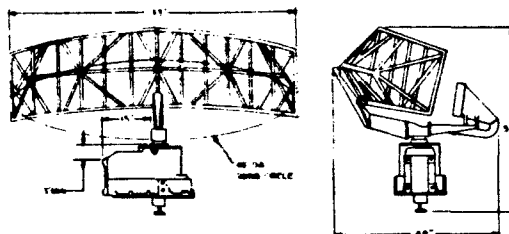
FREQUENCY: SHF band, 5500 to 5600 mc.

TYPE: Cut paraboloidal reflector fed by a horn.

DESCRIPTION: The antenna is a lightweight, slatted, cut paraboloidal reflector fed by a pyramidal horn. The reflector is 93 inches wide and 22 inches high. The horn is fed by type RG-49/U waveguide. This is a side-mounting antenna for use on a mast, deck house, or bulkhead; it may be used where the transmitter-receiver is mounted to the antenna assembly and the indicator is mounted in a remote location. It has four 9/16-inch mounting holes on 6-5/8-inch by 8-3/8-inch centers. The antenna is rotated by a General Electric number 5 KH33GG18 a-c drive motor. The assembly weighs 216 pounds.

BEAM DATA:

Gain - 28 db.
Half-power beamwidth - Vertical - 15°.
Horizontal - 2°.
Polarization - Horizontal.



AS-710/SPS-21

UNCLASSIFIED

SCAN DATA: The antennas a mechanical motor-driven rotation through 360° in azimuth.

INSTALLATION: Shipboard.

ASSOCIATED EQUIPMENT: Radar Set AN/SPS-21.
Equipment function - search.

COGNIZANT AGENCY: U. S. Navy.

MANUFACTURER: Raytheon Manufacturing Company,
Navy contract NObar-63170.

REFERENCES:

- 1) U. S. Navy Bureau of Ships, Antenna Data Sheets, Shipboard Antenna Details, Chapter 5, NAVSHIPS 900121(A), (Jan. 1, 1959), CONFIDENTIAL.
- 2) U. S. Department of Defense Nomenclature Card. AS-710/SPS-21



ANTENNA AS-714/SRD-7

FREQUENCY: LF, MF and HF bands, .25 - 30 mc.

TYPE: Loop.

DESCRIPTION: The antenna is a rotating loop housed in a radome along with a drive motor and a remotely controlled preamplifier. The antenna has an impedance of 95 ohms and is terminated for twin coaxial feed using RG-111/U cable. The radome is 19-1/2 inches high and 16-1/2 inches in diameter at the base. The flange has eight 3/4-inch-diameter, tapped mounting holes spaced 45° apart on a circle whose radius is 4-1/2 inches. The antenna weighs 90 pounds.

BEAM DATA:
Beam type - Cardioid or figure eight.

SCAN DATA: The antenna has 360° mechanical azimuth rotation at 1800 revolutions per minute.

INSTALLATION: Shipboard.

ASSOCIATED EQUIPMENT: Direction Finder Set AN/SRD-7. Equipment function - direction finding.

COGNIZANT AGENCY: U. S. Navy.

MANUFACTURER: Stewart-Warner Corporation,
part number G 165001, Navy contract NObar-52218.

REFERENCES:

- 1) NAVSHIPS 92349.
- 2) U. S. Department of Defense Nomenclature Card.



ANTENNA AS-725/S&()

FREQUENCY: VHF and UHF bands, 225 - 390 mc.

TYPE: Dipole.

DESCRIPTION: The antenna is a cylindrical dipole 7-3/4 inches in diameter and 23-1/2 inches long. It is mounted on the mast of small boats by means of a 2-inch threaded pipe. Provisions are made for mounting a range light on top of the antenna.

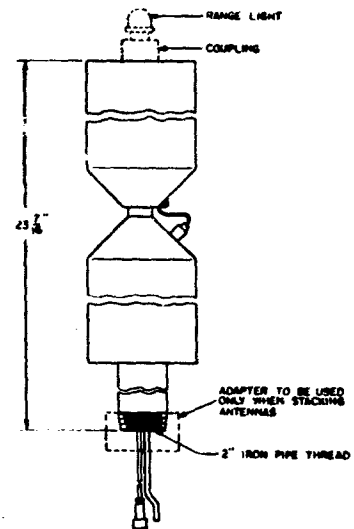
BEAM DATA:
Polarization - Vertical.

INSTALLATION: Shipboard, small boats.

ASSOCIATED EQUIPMENT: Radio Set AN/URR-13 and various other UHF radio sets. Equipment function - communications.

MISCELLANEOUS: The nomenclature card gives the overall length of the antenna as 31 inches, but other references give it as 23-1/2 inches. The antenna is electrically similar to but not interchangeable with Antenna AS-468/B.

COGNIZANT AGENCY: U. S. Navy.



AS-725/S&()

UNCLASSIFIED

MANUFACTURER: Watson Elevator Co., Inc.
drawing number 1563, contract NObar 71758.

- 2) BuShips drawing RE 66F 2096A.
- 3) U. S. Department of Defense Nomenclature Card.

REFERENCES:

- 1) U. S. Navy Bureau of Ships, Antenna Data Sheets, Shipboard Antenna Details, Chapter 5, NAVSHIPS 900121(A), (Jan. 1, 1959). CONFIDENTIAL.

.....

ANTENNAS AS-744/SPS-23, AS-745/SPS-23X, AS-746/SPS-23Y, AS-747/SPS-23Z, AS-748/SPS-23XX

FREQUENCY: SHF band, 9300 - 9500 mc.

ASSOCIATED EQUIPMENT: AS-744/SPS-23 ... Radar set AN/SPS-23; AS-745/SPS-23X ... Radar set AN/SPS-23X; AS-746/SPS-23Y ... Radar set AN/SPS-23Y; AS-747/SPS-23Z ... Radar set AN/SPS-23Z; AS-748/SPS-23XX ... Radar set AN/SPS-23XX. Equipment function - search.

TYPE: Parabolic cylinder reflector.

COGNIZANT AGENCY: U. S. Navy.

DESCRIPTION: Antennas AS-744/SPS-23 and AS-748/SPS-23XX consist of a reflector and an RF-37/U tuned cavity. These antennas also include a horn deicing unit and magnetic clutches to permit sector-scan operation. The other three antennas probably have these same features; however, the available information does not so indicate. All five antennas can be rotated mechanically.

MANUFACTURER: Radiomarine Corporation of America.

INSTALLATION: Shipboard.

REFERENCE:
U. S. Department of Defense Nomenclature Card.

.....

ANTENNA AS-750/SMD-1A

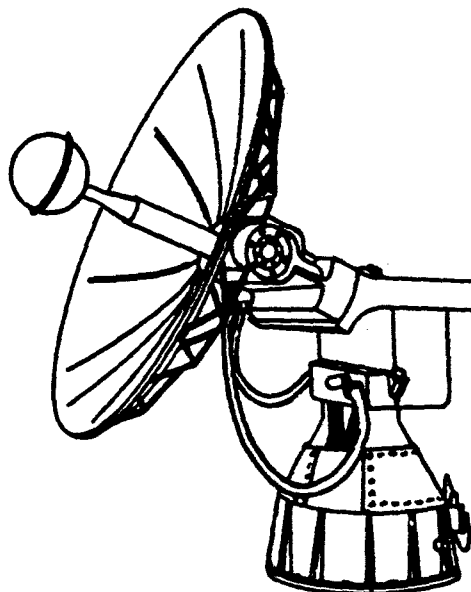
FREQUENCY: UHF band, 1660 - 1700 mc.

ter 5, NAVSHIPS 900121(A), (Jan. 1, 1959).
CONFIDENTIAL.

TYPE: Paraboloidal reflector fed by a dipole.

- 3) U. S. Department of Defense Nomenclature Card.

DESCRIPTION: The antenna is a paraboloidal reflector fed by a dipole. In front of the dipole is an offset hemispherical reflector which is rotated for lobing. The dipole is 3 inches long, the hemisphere is 6-3/4 inches in diameter, and the paraboloid is 6 feet in diameter. The antenna rotates in azimuth and tilts in elevation and cross-level. It is used in tracking and receiving signals from Radiosonde AN/AMT-4 or AN/AMT-9.



AS-750/SMD-1A

SCAN DATA: The antenna has 360° mechanical azimuth rotation at 4 revolutions per minute, mechanical elevation tilt from -40° to +97° at 5 revolutions per minute, electrical elevation tilt from -35° to +93.5°, and cross-level tilt at 4 revolutions per minute.

INSTALLATION: Shipboard.

ASSOCIATED EQUIPMENT: Radiosonde Receiver AN/SMD-1A. Equipment function - meteorological measurement.

COGNIZANT AGENCY: U. S. Navy.

MANUFACTURER: A. D. Cardwell Manufacturing Corporation.

REFERENCES:

- 1) Military Specification MIL-R-17110.
- 2) U. S. Navy Bureau of Ships, Antenna Data Sheets, Shipboard Antenna Details, Chapter 5, NAVSHIPS 900121(A), (Jan. 1, 1959). CONFIDENTIAL.

UNCLASSIFIED

ANTENNA AS-762/MPN-5

MAJOR COMPONENTS: 1 Antenna Reflector AT-262/MPN-5&() and 1 Antenna Horn AT-409/MPN-5.

FREQUENCY: SHF band, 9000 - 9130 mc.

TYPE: Cut paraboloidal reflector fed by a horn.

DESCRIPTION:

- A) Antenna Reflector AT-262/MPN-5 &() is a cut paraboloid 96 inches wide, 37 inches high, and 24 inches deep. The antenna is of one-piece construction using laminated glass cloth with a wire-screen reflecting surface.
- B) Antenna Horn AT-409/MPN-5 is used to feed the above reflector. The inside of the horn is 0.900 inch square at the throat and 1.050 inches long by 0.866 inch wide at the mouth. The horn is fed by a waveguide.

BEAM DATA:

Half-power beamwidth - 0.95° in azimuth.
Beam type - Modified beavertail, 4° in elevation.
Polarization - The antenna can be manually set for either linear or circular polarization.

SCAN DATA: The scanning range is plus or minus 10 degrees in azimuth.

TUNING/MATCHING DEVICES: A manually operated waveguide polarizing unit permits either linear or circular polarization. Components are matched at electrical tests to insure proper realignment if disassembled.

INSTALLATION: Ground, mobile.

ASSOCIATED EQUIPMENT: Radar Sets AN/MPN-5 and AN/FPN-28. Equipment function - approach control, used to beam azimuth signal.

MISCELLANEOUS: Apparently the only difference between models of this antenna is that the early models had to have the feed matched to the reflector, whereas later models did not have to be matched.

COGNIZANT AGENCY: U. S. Navy.

REFERENCES:

- 1) Private Correspondence.
- 2) Military Specification CS-972.
- 3) U. S. Department of Defense Nomenclature Card.



ANTENNA AS-763/MPN-5

MAJOR COMPONENTS: Antenna Reflector AT-263/MPN-5&() and Antenna Horn AT-410/MPN-5&().

FREQUENCY: SHF band, 9000 - 9180 mc.

TYPE: Cut paraboloidal reflector fed by a horn.

DESCRIPTION:

- A) Antenna Reflector AT-263/MPN-5&() - The reflector is a cut paraboloid 126 inches high, 36.96 inches wide, and 29 inches deep. It is constructed of two wing sections and a center section. Prior to 1957, the antenna reflector was constructed of laminated glass cloth with a wire-screen reflecting surface. After 1957, it was constructed of sheet metal, and used removable sheet-metal beam-shaping plates.
- B) Antenna Horn AT-410/MPN-5&() - The horn is used to feed AT-263/MPN-5 reflector. The outside of the horn is 1 inch long by 0.5 inch wide at the throat and 3.35 inches long by 0.855 inch wide at the mouth. The inside of the horn is 0.9 inch long by 0.4 inch wide at the throat and 3.25 inches long by 0.755 inch wide at the mouth. Prior to 1957, the horn and reflector had to be matched; after 1957, matching was no longer required.

BEAM DATA:

Half-power beamwidth - 0.55° in the vertical plane.
Beam type - Csc² in azimuth plane.
Polarization - Either linear or circular, depending on the polarizing-unit setting.

SCAN DATA: The antenna nods 7° in elevation.

INSTALLATION: Ground, mobile.

ASSOCIATED EQUIPMENT: Radar Sets AN/MPN-5&() and AN/MPN-28&(). Equipment function - approach control, used to beam elevation signal.

COGNIZANT AGENCY: U. S. Navy.

MANUFACTURERS: Bendix Radio, procurement contracts NObsr-43011, NObsr-64729, and NObsr-63427.

STOCK NUMBERS: AS-763/MPN-5 ... Federal Stock Number F5985-636-3078; AT-263/MPN-5&() ... Federal Stock Number F5985-369-5645; AT-410/MPN-5 ... Federal Stock Number F5985-538-7089.

REFERENCES:

- 1) U. S. Navy, Navy Stock List of the Electronics Supply Office, (Feb. 1958). UNCLASSIFIED.
- 2) Private Correspondence.
- 3) Military Specifications: AS-763/MPN-5 ... CS-972; AT-263/MPN-5&() ... CS-972D, R-1081A; AT-410/MPN-5 ... CS-972D.
- 4) U. S. Department of Defense Nomenclature Card.

UNCLASSIFIED

ANTENNA AS-764/MPN-5

MAJOR COMPONENTS: Antenna Reflector AT-265/MPN-5 and Antenna Horn AT-268/MPN-5.

FREQUENCY: UHF band, 2740 - 2900 mc.

TYPE: Cut paraboloidal reflector fed by a horn.

DESCRIPTION:

- A) Antenna Reflector AT-265/MPN-5&() - The reflector is a cut paraboloid 5.58 feet deep, 9.53 feet wide, and 10.25 feet high. It is constructed of aluminum mesh with a tubular-aluminum supporting structure. The horn feed must be matched to the reflector. When used with Radar Set AN/FPN-28, this reflector will mount to Antenna Pedestal AB-392/FPN-28; however, when it is used with Radar Set AN/MPN-5, it will mount to Pedestal AB-184/MPN-5.
- B) Antenna Horn AT-268/MPN-5&() - The overall dimensions of the horn are 3.34 inches long by 1.5 inches wide at the throat and 4.4 inches long by 3.55 inches wide at the mouth. The inside of the horn is 2.84 inches long by 1.34 inches wide at the throat and 3.9 inches long by 3.39 inches wide at the mouth. The overall length of the horn assembly is 57.88 inches. The horn is constructed of aluminum alloy and is fed by a waveguide.

BEAM DATA:

Half-power beamwidth - 2.2° in azimuth plane.
Beam type - Csc² from about 2° to 25° in elevation.
Polarization - Horizontal.

SCAN DATA: The antenna scans through 360° in azimuth.

TUNING/MATCHING DEVICES: The horn has 3 soldered tuning cores.

INSTALLATION: Ground, mobile.

ASSOCIATED EQUIPMENT: Radar Sets AN/FPN-28 and AN/MPN-5. Equipment function - approach control.

COGNIZANT AGENCY: U. S. Navy.

MANUFACTURERS: Bendix Radio, procurement contract NObsr-63427 and NObsr-43011.

STOCK NUMBER: AT-265/MPN-5 ... Federal Stock Number N5985-296-2395; AT-268/MPN-5 ... Federal Stock Number F5985-369-5465.

REFERENCES:

- 1) U. S. Navy, Navy Stock List of the Electronics Supply Office, (Feb. 1958). UNCLASSIFIED.
- 2) Private Correspondence.
- 3) Military Specifications: AS-764/MPN-5 ... CS-972; AS-265/MPN-5&() ... R-1081A; AS-268/MPN-5&() ... R-1081A.
- 4) U. S. Department of Defense Nomenclature Card.



ANTENNA AS-765/MPN-5

MAJOR COMPONENTS: Antenna Reflector AT-265/MPN-5 and Antenna Horn AT-411/MPN-5.

FREQUENCY: UHF band, 2740 - 2900 mc.

TYPE: Cut paraboloidal reflector fed by a horn.

DESCRIPTION:

- A) Antenna Reflector AT-265/MPN-5 - The reflector is a cut paraboloid 5.58 feet deep, 9.53 feet wide, and 10.25 feet long. It is constructed of aluminum mesh with a tubular-aluminum supporting structure. The feed horn must be matched to the reflector. When used with Radar Set AN/FPN-28, this reflector will mount to Antenna Pedestal AB-392/FPN-28; however, when it is used with Radar Set AN/MPN-5, it will mount to Pedestal AB-184/MPN-5.
- B) Antenna Horn AT-411/MPN-5&() - The overall dimensions of the horn are 3.34 inches long by 1.507 inches wide at the mouth and 4.04 inches long by 3.557 inches wide at the throat. The inside of the horn is 2.84 inches long by 1.34 inches wide at the throat, and 3.545 inches long by 3.39 inches wide at the mouth. The horn assembly is 56.53 inches long overall. It is constructed of aluminum alloy and is fed by a waveguide.

BEAM DATA:

Polarization - Vertical.

SCAN DATA: The antenna scans 360° in azimuth.

INSTALLATION: Ground, mobile.

ASSOCIATED EQUIPMENT: Radar Sets AN/FPN-28 and AN/MPN-5. Equipment function - approach control.

MISCELLANEOUS: AS-765/MPN-5 uses the same reflector as AS-764, but it uses AT-411/MPN-5 horn instead of AT-268/MPN-5 to produce a vertically polarized beam.

COGNIZANT AGENCY: U. S. Navy.

MANUFACTURERS: Bendix Radio, procurement contracts NObsr-43011 and NObsr-63427.

STOCK NUMBER: AT-265/MPN-5 ... Federal Stock Number F5985-296-2395.

UNCLASSIFIED

REFERENCES:

- 1) Private Correspondence.
- 2) Military Specification: AS-765/MPN-5 ... CX-972; AT-265/MPN-5 ... R-1081A;

AT-411/MPN-5 ... R-1081A.

- 3) U. S. Department of Defense Nomenclature Card.

.....

ANTENNA ASSEMBLY AS-777/URN-3

See OA-878(*)/URN-3.

.....

ANTENNA AS-782/SPG-49

FREQUENCY: SHF band, 5400 - 5900 mc.

TYPE: Foster scanner with folded reflector.

DESCRIPTION: The antenna consists of a Foster scanner feeding a folded reflector. The scanner consists of two concentric truncated cones with the space between the cones forming the E-plane dimension of a curved waveguide. The outer cone contains two longitudinal slots for the input and output of the scanner. The inner cone rotates, and, by means of two reflecting surfaces between the cones, the distance a wave travels is linearly increased, producing a sawtooth-type scan. Overall dimensions of the antenna, including the reflector and horn, are 64 inches in width, 52 inches in length, and 34 inches in depth.

The antenna mounts on two brackets, each with four holes paired on 12-inch centers.

INSTALLATION: Probably shipborne.

ASSOCIATED EQUIPMENT: Radar Set AN/SPG-49. Equipment function - probably fire control.

COGNIZANT AGENCY: U. S. Navy 5-327.

MANUFACTURER: Sperry Gyroscope Co.

REFERENCES:

- 1) Government Specification MIL-R-18669 (NORD).
- 2) U. S. Department of Defense Nomenclature Card.

.....

ANTENNA AS-826/SPN-22

FREQUENCY: SHF band, 9320 - 9430 mc.

TYPE: Parabolic-cylinder reflector with waveguide feed.

DESCRIPTION: The assembly consists of a parabolic-cylinder reflector, some type of waveguide feed, a drive mechanism, and probably the transmitter and receiver. The reflector is approximately 1 foot high and 4.17 feet wide.

INSTALLATION: Shipboard.

ASSOCIATED EQUIPMENT: Radar set AN/SPN-22 and AN/SPN-22X. Equipment function - search, surface (for navigation). Range - about 8 miles.

COGNIZANT AGENCY: 105B-2.

MANUFACTURERS: Radiomarine Corporation of America, procurement contract NObsr-64670.

REFERENCES:

- 1) Edward Ornstein, U. S. Navy Radar Systems Survey, NRL Report 4963. Washington, D. C.: Naval Research Laboratory (Nov. 22, 1957). ASTIA Report No. AD-150674. SECRET.
- 2) U. S. Department of Defense Nomenclature Card.

BEAM DATA:

- Gain - 28 db.
- Half-power beamwidth - Vertical - 20°.
- Horizontal - 1.9°.
- Side-lobe attenuation - 25 db.

SCAN DATA: The antenna has 360° mechanical azimuth rotation, at 20 revolutions per minute.

.....

ANTENNA AS-828(*)/SPS

FREQUENCY: SHF band, 3430 - 3570 mc.

TYPE: Cut paraboloidal reflector with organ-pipe feed.

DESCRIPTION: The antenna consists of a slatted, cut paraboloidal reflector which is fed by an organ-pipe feed. The reflector is approximately 12 feet high and 15 feet

UNCLASSIFIED

wide. The antenna weighs 4700 pounds, is 25 feet high overall, and requires a 16-foot turning radius.

BEAM DATA:

Gain - 41 db.
Half-power beamwidth - Vertical - 1.3°. Horizontal - 1.6°. Side-lobe attenuation - 19 db. Beam type - Pencil. Polarization - Vertical.

SCAN DATA: AS-828/SPS has 360° manual or mechanical azimuth rotation at 2, 3, 5, or 10 revolutions per minute. It has an electromechanical elevation scan of any 12° sector between 0° and 36° at 360, 720, or 970 scans per minute.

AS-828A/SPS has 360° manual or mechanical azimuth rotation at 2, 3, 5, or 10 revolutions per minute. It has an electromechanical elevation scan of any 12° sector between 0° and 36° at 480, 720, 1200, or 2400 scans per minute.

INSTALLATION: Shipboard.

ASSOCIATED EQUIPMENT: Radar sets AN/SPS-8, AN/SPS-8B, AN/SPS-8C, and AN/SPS-8D, and AN/SPS-50. Equipment function - height finding; search, air; and search, surface.

MISCELLANEOUS: AS-828(*)/SPS designates two models, AS-828/SPS which is used with the AN/SPS-8B, and AS-828A/SPS which is used with the AN/SPS-8C and AN/SPS-8D. Differences are shown above in Scan Data.

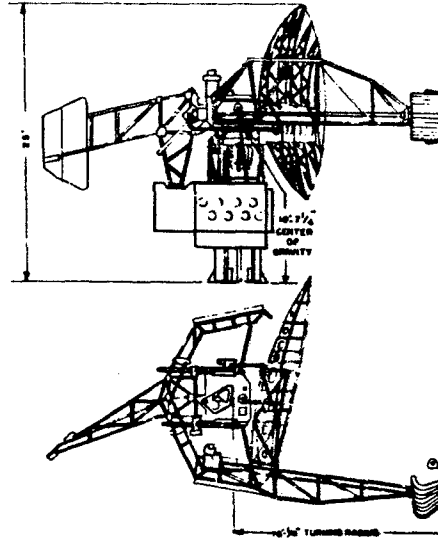
COGNIZANT AGENCY: U. S. Navy 660 and U. S. Navy 785.

REFERENCES:

- 1) U. S. Navy Bureau of Ships, Antenna Data

Sheets, Shipboard Antenna Details, Chapter 5, NAVSHIPS 900121(A), (Jan. 1, 1959) CONFIDENTIAL.

- 2) Edward Ornstein, U. S. Navy Radar Systems Survey, NRL Report 4963. Washington, D. C.: Naval Research Laboratory (Nov. 22, 1957). ASTIA Report No. AD-153211. SECRET.
- 3) U. S. Department of Defense Nomenclature Card.



AS-828(*)/SPS

ANTENNA AS-889/SRN-6

See Antenna Group OA-1545/SRN-6.

ANTENNA AS-890/SRN-6

See Antenna Group OA-1546/SRN-6.

ANTENNA AS-891/URN

See Antenna Group OA-1547/URN.

ANTENNA AS-892/URN

See Antenna Group OA-1548/URN.

ANTENNA AS-904()/UPX

FREQUENCY: UHF band, 1010 - 1110 mc.

TYPE: Modified, folded pill-box antenna.

DESCRIPTION: The antenna is a modified, folded pill-box 60 inches wide, 27 inches deep, and 18 inches high. The antenna weighs 26 pounds,

UNCLASSIFIED

and the input impedance is 51 ohms. Coaxial transmission line is used. The antenna is used for transmitting and receiving Mark X IFF signals in conjunction with any ground or shipboard-based IFF interrogator.

BEAM DATA:

Gain - 7 db.

SCAN DATA: The antenna has 360° mechanical azimuth rotation.

INSTALLATION: Ground or shipboard.

ASSOCIATED EQUIPMENT: Various IFF equipment.
Equipment function - IFF.

COGNIZANT AGENCY: USN-57-b-946.

MANUFACTURERS: U. S. Naval Electronics Laboratory, procurement contract NE 041215-23.

REFERENCES:

- 1) Manufacturer Drawing No. RAA66F-43179.
- 2) U. S. Department of Defense Nomenclature Card.

.....

ANTENNA AS-905/UPX

FREQUENCY: UHF band, 1010-1110 mc.

TYPE: Folded pill-box antenna.

DESCRIPTION: The antenna is a Fox-type, modified folded pill-box. The overall dimensions are 180 inches wide, 58 inches deep, and 23 inches high. It is designed for a 51-ohm coaxial transmission line. The total weight is 165 pounds.

BEAM DATA:

Gain - 22 db.

Half-power beamwidth - Additional information is available in the confidential document listed below as Reference 1.

Polarization - Vertical.

SCAN DATA: The antenna is normally mounted on a motor-driven pedestal which rotates through 360° in azimuth.

INSTALLATION: Ground or shipboard.

ASSOCIATED EQUIPMENT: Any Mark X Interrogator Equipment. Equipment function - IFF.

COGNIZANT AGENCY: USN-57-b-947.

MANUFACTURER: U. S. Naval Electronic Laboratory, contract NE0 41215-23.1.

REFERENCES:

- 1) U. S. Navy, Bureau of Ships, Antenna Data Sheets, Shipboard Antenna Details, Chapter 5, NAVSHIPS 900121(A), (Jan. 1, 1959). CONFIDENTIAL.
- 2) U. S. Department of Defense Nomenclature Card.

.....

ANTENNA-RECEIVER-TRANSMITTER AS-923/SPS-35

MAJOR COMPONENTS: 1 antenna and 1 transmitter-receiver subassembly.

FREQUENCY: SHF band, 9335 - 9405 mc.

TYPE: Parabolic-cylinder reflector.

DESCRIPTION: The assembly is 42-7/16 inches high with a swing circle 49 inches in diameter. No information is available on the feed for this reflector.

BEAM DATA:

Half-power beamwidth - Vertical - 15°. Horizontal - 2°.

SCAN DATA: The antenna rotates in azimuth at 20 revolutions per minute.

INSTALLATION: Shipboard.

ASSOCIATED EQUIPMENT: Radar set AN/SPS-35.
Equipment function - search, surface.

MISCELLANEOUS: The antenna described for Radar set AN/SPS-35 (AN/SPN-21) in reference 1) does not fit AS-923/SPS-35 and is described in this catalog under Antenna for AN/SPS-35.

COGNIZANT AGENCY: U. S. Navy 57-T-1433.

MANUFACTURER: Raytheon Mfg. Co., contract N0bar 71592 (serials 1-133).

REFERENCES:

- 1) U. S. Navy Bureau of Ships, Antenna Data Sheets, Shipboard Antenna Details, Chapter 5, NAVSHIPS 900121(A), (Jan. 1, 1959). CONFIDENTIAL.
- 2) U. S. Department of Defense Nomenclature Card.

.....

UNCLASSIFIED

ANTENNA-RECEIVER-TRANSMITTER AS-925/SPS-36

MAJOR COMPONENTS: 1 Ede 26100 antenna assembly, 1 Ede 26094 receiver-transmitter assembly and 1 Ede 26070 scanner drive.

TYPE: Collinear array of slots.

DESCRIPTION: The antenna consists of a length of leaky waveguide imbedded in Lock-Foam. The overall unit is 38-3/8 inches high by 57-1/64 inches wide. It weighs a total of 260 pounds.

BEAM DATA:
Half-power beamwidth - Vertical - 25°.
Horizontal - 1.8°.

SCAN DATA: The antenna rotates through 360° in azimuth at 15 revolutions per minute.

INSTALLATION: Shipboard.

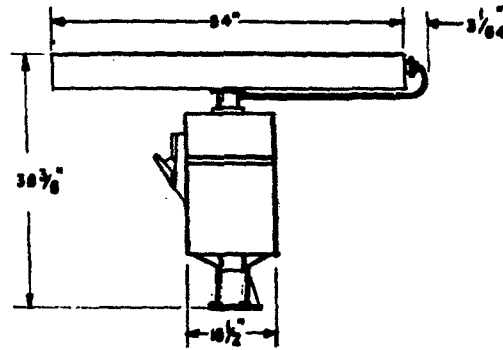
ASSOCIATED EQUIPMENT: Radar sets AN/SPS-36 and AN/SPN-23. Equipment function - search, surface (navigation). Range - 20 miles.

COGNIZANT AGENCY: U. S. Navy 57-T-1694.

MANUFACTURER: Ede Corp., part number 26123, contract N0bsr 71891.

REFERENCES:

- 1) U. S. Navy Bureau of Ships, Antenna Data Sheets, Shipboard Antenna Details, Chapter 5, NAVSHIPS 900121(A), (Jan. 1, 1959). CONFIDENTIAL.
- 2) U. S. Department of Defense Nomenclature Card.



AS-925/SPS-36

ANTENNA AS-932/SPS-17A

MAJOR COMPONENTS: 20 dipole elements and 1 double corner reflector.

FREQUENCY: VHF band, 215 - 225 mc.

TYPE: Double corner-reflector antenna fed by two dipole arrays.

DESCRIPTION: The antenna is a double corner reflector that is fed by two dipole arrays. Each array consists of 5 dipoles fed by a branching system of coaxial transmission lines. The references do not define a double corner reflector but it probably is the type whose cross section is the shape of a "W".

SCAN DATA: The antenna rotates in the azimuth plane.

INSTALLATION: Shipboard.

ASSOCIATED EQUIPMENT: Radar Set AN/SPS-17A. Equipment function - search.

COGNIZANT AGENCY: USN-58-b-65.

MANUFACTURER: I-T-E Circuit Breaker Co., procurement contract N0bsr-71627.

REFERENCES:

- 1) Military Specification SHIPS-F-2415.
- 2) U. S. Department of Defense Nomenclature Card.

ANTENNA AS-933/SR

FREQUENCY: VHF and UHF bands, 225 - 400 mc.

TYPE: Corner reflector with stacked dipole feed.

DESCRIPTION: The antenna consists of a corner reflector and three dipoles 17-1/4 inches long. The two sections of the reflector are bent back so that their reflecting surfaces form an angle greater than 180°.

INSTALLATION: Shipboard.

ASSOCIATED EQUIPMENT: Various radio sets. Equipment function - communications.

MISCELLANEOUS: Antenna AS-933/SR is a light-weight version of Antenna AS-668/SR. However, the two are not interchangeable.

UNCLASSIFIED

COGNIZANT AGENCY: USN-58-Y-136.

1) BuShips Drawing RE 66F 2117A.

MANUFACTURER: Philadelphia Naval Shipyard.

2) U. S. Department of Defense Nomenclature Card.

REFERENCES:



ANTENNA ASSEMBLY AS-936/SPS-10B

FREQUENCY: IFF...UHF band, 1001.5 - 1038.5 mc and 1081.5 - 1118.5 mc; Radar ... SHF band, 5450 - 5825 mc.

SCAN DATA: The antenna rotates through 360° in azimuth at 16 revolutions per minute.

TYPE: Parabolic-cylinder reflector with modified hognhorn radar feed and monopole IFF feed.

TUNING/MATCHING DEVICES: The IFF feed of the antenna has a matching section.

DESCRIPTION: The radar section of the antenna consists of a horizontally slatted parabolic cylinder fed by a hognhorn. The reflecting barrier of the hognhorn is a modified parabolic surface which produces a beam with csc² distribution in the vertical plane. The reflector is 120 inches wide by 30 inches high and has a focal length of 35-1/2 inches. The IFF section of the antenna consists of a parabolic-cylinder reflector with a feed made up of a radiating element and six parasitic elements. The parabolic-cylinder reflector for the IFF section is made up of vertical rods located just behind the horizontal slats of the radar reflector. The IFF feed consists of an end-fed, full-wavelength radiating rod located in front of the mouth of the hognhorn. A corner reflector made up of six vertical rods, located three on each side of the hognhorn, directs the IFF energy to the parabolic cylinder reflector. The total weight of the antenna is 313 pounds.

INSTALLATION: Usually shipboard, sometimes ground (shore).

ASSOCIATED EQUIPMENT: Radar Set AN/SPS-10B. Equipment function - search, surface; and IFF.

MISCELLANEOUS: Antenna AS-936/SPS-10B is a modified Antenna AL-615/SPS-10. The original antenna pedestal is replaced by Antenna Pedestal AB-561/SPS-10B, and a mast switch is added.

COGNIZANT AGENCY: USN-58-b-168.

MANUFACTURER: Sylvania Electric Co., contract NObser 71817.

REFERENCES:

- 1) Sylvania Drawing 85-82700-1.
2) U. S. Department of Defense Nomenclature Card.

BEAM DATA:

Table with 3 columns: Parameter, Radar, IFF. Rows include Gain, Half-power beamwidth (Vertical, Horizontal), Beam type, and Polarization.



ANTENNA ASSEMBLY AS-949/BPX

MAJOR COMPONENTS: 1 AT-497/U antenna, 1 VHF antenna, and 1 IFF antenna.

INSTALLATION: Shipboard, submarine.

FREQUENCY: AT-497/U ... MF and HF bands, 2 - 30 mc, VHF antenna ... and UHF bands, 30 - 400 mc, IFF antenna UHF band, 950 - 1200 mc.

ASSOCIATED EQUIPMENT: Various radio sets. Equipment function - communications and IFF.

TYPE: AT-497/U ... Whip.

COGNIZANT AGENCY: USN-58-y-709.

DESCRIPTION: The antenna assembly consists of three individual antennas mounted on a retractable mast. One of the antennas is Antenna AT-497/U, a 12-foot whip. No description of the other two antennas was available.

MANUFACTURER: U. S. Naval Underwater Sound Laboratory, order I-850-01-00.

REFERENCES:

- 1) U. S. Naval Underwater Sound Laboratory Drawing SK-33046.
2) U. S. Department of Defense Nomenclature Card.

UNCLASSIFIED

ANTENNA AS-977/SRD-13

FREQUENCY: LF, MF, and HF bands, 0.275 - 3.5 mc.

TYPE: Loop antenna.

DESCRIPTION: The antenna is described on its nomenclature card as a loop-frame type which is style 7 of Reference Drawing Group 11. It is a square loop having a multiple-turn coil wound on a square frame.

SCAN DATA: The antenna has motor-driven azimuth rotation through 360 degrees.

INSTALLATION: Shipboard.

ASSOCIATED EQUIPMENT: Automatic Direction Finder Set AN/SRD-13. Equipment function - countermeasures, direction finding.

COGNIZANT AGENCY: U. S. Navy, USCG.

MANUFACTURER: Control Electronics Co., Inc., part number 32-304, procurement contract Tcg-40709 (CG-42,102-A).

REFERENCES:

- 1) Military Specification USCG EEE-9-58.
- 2) U. S. Department of Defense Nomenclature Card.



ANTENNA AS-979/UKR

FREQUENCY: VHF band, 225 - 260 mc; VSWR < 1.3 over any 20-mc portion of the band from 225 to 260 mc (SIC).

TYPE: Helical antenna.

DESCRIPTION: AS-979/UKR is a helical antenna with a ground plane. The helix is enclosed in a weatherproof housing. (See drawing.) The antenna will withstand rugged, shipboard environment.

BEAM DATA:

Half-power beamwidth - Horizontal - 70°. Vertical - 70°.

Beam type - Conical. The peak of the beam is along the axis of the helix.

Polarization - Circular.

INSTALLATION: Shipboard.

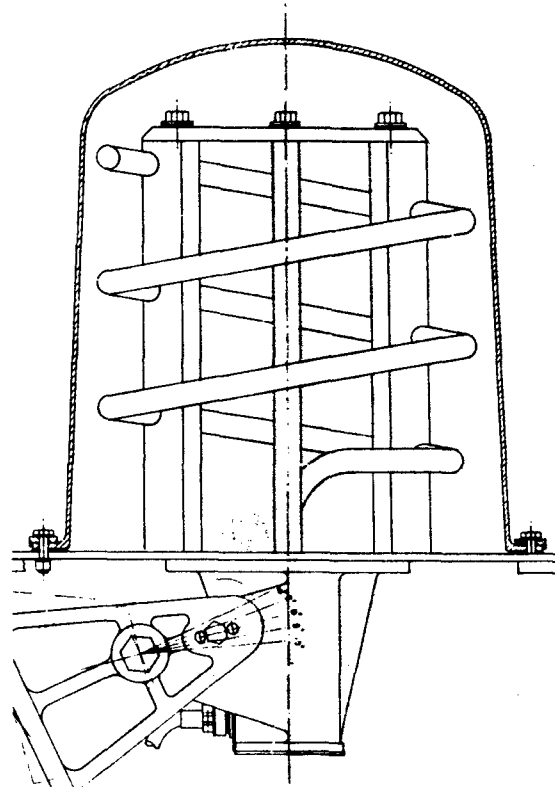
ASSOCIATED EQUIPMENT: AN/UKR-8, -10, and others, Equipment function - telemetering.

COGNIZANT AGENCY: U. S. Navy.

MANUFACTURER: Aircraft Armaments, Inc.

REFERENCES:

- 1) Private Correspondence.
- 2) Request for Nomenclature.



As-979/UKR (Courtesy of Aircraft Armaments, Inc.)



ANTENNA AS-996/BPS-9A

MAJOR COMPONENTS: 1 AT-294/BPS-1 antenna horn, 1 CW-10AFX torque-tube drive assembly, 1 CW-10723 motor-drive gear unit, and 1 CW-21ADF-1 synchro unit.

FREQUENCY: SHF band, 8740 - 8890 mc.

TYPE: Horn antenna.

UNCLASSIFIED

DESCRIPTION: Additional information is available in Volume V of this catalog series.

SCAN DATA: The antenna has a reversible motor-driven rotating mechanism.

INSTALLATION: Shipboard, submarine.

ASSOCIATED EQUIPMENT: Radar Set AN/BPS-9A. Equipment function - search.

MISCELLANEOUS: AS-996/BPS-9A is similar to 66AKX-2 but uses AT-294/BPS-1, and 66AKX-2 uses 66AXW.

COGNIZANT AGENCY: USN-59-b-79.

MANUFACTURER: Western Electric Co., contract NObsr 71746.

REFERENCES:

- 1) Western Electric Specification CS-15381-L2.
- 2) Request for Nomenclature Sheet.

.....

ANTENNA AS-997/SRC

FREQUENCY: VHF and UHF bands, 225 - 400 mc; VSWR < 2.5 on a 50-ohm line.

TYPE: Stacked array of vertical dipoles mounted around a hollow mast and a parasitic array consisting of a horizontal dipole and rod reflector mounted on top of the mast.

DESCRIPTION: The antenna consists of three broadband vertical dipoles mounted at different heights and 120 degrees apart around a hollow mast and a horizontal dipole and reflector mounted on top of the mast. The three broadband dipoles are phased to provide concentration of energy at relatively low angles. Phasing of the three collinear dipoles is accomplished by the length of RG-8/U transmission line connected between the antenna elements and the matching transformer. The beam-tilt angle is approximately 6 degrees measured from the horizontal. The horizontal dipole and rod reflector (a Yagi) provide zenith coverage.

BEAM DATA:

Beam type - Approximately omnidirectional in the horizontal plane.
Polarization - Primarily vertical at low angles and horizontal at high angles.

TUNING/MATCHING DEVICES: An impedance matching transformer and lengths of transmission line are used for matching and phasing.

INSTALLATION: Shipboard.

ASSOCIATED EQUIPMENT: The AS-997/SRC antenna is for use with radio equipment in the 225- to 400-mc range for ship-to-air communications.

COGNIZANT AGENCY: U. S. Navy.

MANUFACTURER: Contract NE090600-9-1.1 (NEL B1-26).

REFERENCE:
Request for Nomenclature Sheet.

.....

ANTENNA AS-1002/SPS-5C

FREQUENCY: SHF band, 5450 - 5825 mc.

TYPE: Parabolic-cylinder reflector.

DESCRIPTION: The reference listed below states that AS-1002/SPS-5C is similar to AS-651/SPS-5B. The mounting facilities are mechanically the same. Existing interconnecting cables may be used, but they will terminate at different points. The switch-box unit used to disengage the antenna is now a separate and removable unit. The waveguide system is designed to accept the new frequency range, and new operational features are provided.

INSTALLATION: Shipboard.

ASSOCIATED EQUIPMENT: Radar Set AN/SPS-5C and AN/SPS-5D. Equipment function - search.

MISCELLANEOUS: AS-1002/SPS-5C is similar to AS-651/SPS-5B.

COGNIZANT AGENCY: U. S. Navy (N-59-b-467).

MANUFACTURER: Raytheon Manufacturing Co., contract NObsr-75415.

REFERENCE:
U. S. Department of Defense Nomenclature Card.

.....

ANTENNA AS-1004/SPS-41

FREQUENCY: SHF band, 9345 - 10,005 mc.

TYPE: Parabolic-cylinder reflector fed by a horn.

UNCLASSIFIED

DESCRIPTION: The antenna is a pedestal-mounted, parabolic-cylinder reflector fed by a horn. A modulator is an integral part of the assembly.

Equipment function - search, surface.

COGNIZANT AGENCY: U. S. Navy (USN-59-T-1413).

SCAN DATA: The antenna has an azimuth scan at a constant rotational speed.

MANUFACTURER: Bendix-Pacific Division, Bendix Aviation Corporation; contract NObsr-75168.

INSTALLATION: Shipboard.

REFERENCE:
U. S. Department of Defense Nomenclature Card.

ASSOCIATED EQUIPMENT: Radar Set AN/SPS-41.

.....

ANTENNA AS-1011/SPG-55

FREQUENCY: SHF band, 4500 - 5900 mc.

Tracking Set AN/SPG-55. Equipment function - guidance.

TYPE: Paraboloidal reflector.

COGNIZANT AGENCY: N-9-751.

SCAN DATA: The assembly is a paraboloidal reflector with a nutating feed. No information is available on the feed. The antenna also has a motor-driven rotating and tilting mechanism.

MANUFACTURER: Sperry Gyroscope Co., part number 1002340, BuOrd part number 1847796, contract NOrd 17690.

INSTALLATION: Shipboard.

REFERENCE:
Request for Nomenclature Sheet.

ASSOCIATED EQUIPMENT: Missile Guidance and

.....

ANTENNA AS-1012/SPG-55

FREQUENCY: SHF band, 5400 - 5900 mc.

Tracking Set AN/SPG-55. Equipment function - guidance.

TYPE: Cassegrainian antenna.

COGNIZANT AGENCY: N-9-750.

SCAN DATA: The antenna has provisions for conical scanning. It also has a motor-driven rotating and tilting mechanism.

MANUFACTURER: Sperry Gyroscope Co., part number 2375190, BuOrd part number 1848392, contract NOrd 17690.

INSTALLATION: Shipboard.

REFERENCE:
Request for Nomenclature Sheet.

ASSOCIATED EQUIPMENT: Missile Guidance and

.....

ANTENNA ASSEMBLY-BUOY AS-1014/B

FREQUENCY: MF, HF and UHF bands (Communications), UHF band, 965 - 1060 mc (IFF).

ASSOCIATED EQUIPMENT: Various radio sets. Equipment function - communication and IFF.

DESCRIPTION: The antenna assembly consists of several antennas covering various frequency ranges. The antennas are mounted on top of a stainless-steel, teardrop buoy hull. A 200-foot coaxial cable connects the buoy to a submarine.

COGNIZANT AGENCY: USN-59-y-1214.

MANUFACTURER: Granite State Co., contract NObsr 75639.

INSTALLATION: Shipboard, submarine, buoy-mounted.

REFERENCES:
1) NRL drawings RA-100-1779 and RA-66F-484.
2) Request for Nomenclature Sheet.

.....

ANTENNA AS-1018()/URC

FREQUENCY: VHF and UHF bands, 225 - 400 mc; VSWR < 2 on 50-ohm coaxial cable.

TYPE: Stacked array of vertical, cylindrical dipoles.

UNCLASSIFIED

DESCRIPTION: The antenna is a mast-mounted stacked array of vertical, cylindrical dipoles fed by 50-ohm coaxial cable. The entire antenna structure is enclosed in a rugged fiberglass tube providing weather protection under adverse conditions. The structure has negligible deflection under winds as high as 120 miles per hour. A d-c ground system is provided for lightning protection. The overall antenna with the fiberglass tube in place is 7 feet high and 9 inches in diameter. The approximate weight is 100 pounds. Maximum power handling capability is 2 kilowatts.

Beam type - Approximately omnidirectional in azimuth.
Half-power beamwidth - Vertical - 32°-36°. Polarization - Vertical.

INSTALLATION: Shipboard or ground.

COGNIZANT AGENCY: U. S. Navy (USN-59-1824).

MANUFACTURER: GHU Associates, contract NI 23(953)2248A.

REFERENCE:
U. S. Department of Defense Nomenclature Card.

BEAM DATA:

.....

ANTENNA AS-1065/UPX&()

FREQUENCY: UHF band, 970 - 1150 mc.

Equipment function - IFF.

TYPE: Folded dipole, pillbox type.

COGNIZANT AGENCY: U. S. Navy, (N-59-b-2608).

DESCRIPTION: Reference 1) indicates that the antenna is of the folded-dipole, pillbox type and is pedestal mounted. One of the dimensions of the antenna is 10 feet. The radiation pattern has very low back lobes.

MANUFACTURER: I-T-E Circuit Breaker Co., contract NObsr-75746.

REFERENCES:
1) Military Specification MIL-A-21327 (SHIPS)

INSTALLATION: Shipboard.

2) U. S. Department of Defense Nomenclature Card.

ASSOCIATED EQUIPMENT: Various IFF equipment.

.....

ANTENNA AS-1066/SPS-46

FREQUENCY: SHF band, 9345 - 9405 mc.

Equipment function - probably search.

TYPE: Cut paraboloidal reflector fed by a waveguide horn.

COGNIZANT AGENCY: U. S. Navy (USN-59-b-2636).

DESCRIPTION: The antenna is pedestal mounted.

MANUFACTURER: Lavoie Laboratories, Inc., contract NObsr 75774.

SCAN DATA: The antenna mechanically scans through 360° in azimuth.

REFERENCES:
1) Military Specification SHIPS-R-3244.

INSTALLATION: Shipboard.

2) U. S. Department of Defense Nomenclature Card.

ASSOCIATED EQUIPMENT: Radar Set AN/SPS-46.

.....

ANTENNA AS-1067/SPS-46X

FREQUENCY: SHF band, 9345 - 9405 mc.

MISCELLANEOUS: Antenna AS-1067/SPS-46X is apparently the same as AS-1066/SPS-46 except for the replacement of the 400-cycle drive motor by a 60-cycle motor.

TYPE: Cut paraboloidal reflector fed by a waveguide horn.

COGNIZANT AGENCY: U. S. Navy (USN-59-b-2636).

DESCRIPTION: The antenna is pedestal mounted.

MANUFACTURER: Lavoie Laboratories, Inc., contract NObsr 75774.

SCAN DATA: The antenna mechanically scans through 360° in azimuth.

INSTALLATION: Shipboard.

REFERENCES:
1) Military Specification SHIPS-R-3244.

ASSOCIATED EQUIPMENT: Radar Set AN/SPS-46X.
Equipment function - probably search.

2) U. S. Department of Defense Nomenclature Card.

UNCLASSIFIED

ANTENNA AS-1068/SPA-52

FREQUENCY: VHF band, 215 - 225 mc.

ASSOCIATED EQUIPMENT: AN/SPA-52.

TYPE: Corner reflector fed by a dipole.

COGNIZANT AGENCY: N-59-ac-2630.

DESCRIPTION: The antenna is pedestal mounted.

MANUFACTURER: I-T-E Circuit Breaker Co., contract TCG-40942 (CG-44,132-A).

SCAN DATA: The antenna mechanically scans through 360° in azimuth.

REFERENCE:
U. S. Department of Defense Nomenclature Card.

INSTALLATION: Shipboard.

.....

ANTENNA AS-1075/SRN-6

FREQUENCY: UHF band, 960 - 1087 mc.

to true north so that true north can be identified at the receiving equipment. The antenna is motor driven and pedestal mounted.

TYPE: Amplitude modulating antenna.

BEAM DATA:
Beam type - Rotating, scalloped, cardioid pattern.

DESCRIPTION: Antenna AS-1075/SRN-6 consists of two vertically stacked dipoles that remain stationary with respect to the antenna mount and two concentrically mounted parasitic arrays which rotate in unison about the dipoles at a rate of 15 cycles per second. The inner parasitic array, which amplitude modulates the radiation pattern at 15 cycles per second, consists of one parasitic element embedded in a dielectric cylinder. The outer parasitic array, which amplitude modulates the radiation pattern at 135 cycles per second, consists of 9 parasitic elements embedded in a dielectric cylinder. The parasitic arrays mount concentrically on a common hub, which contains pins of soft iron to generate pulses in pulser coils that remain fixed with respect

INSTALLATION: Shipboard.

COGNIZANT AGENCY: U. S. Navy, N-60-b-250.

MANUFACTURER: ITT Federal Division, contract NObsr-75355.

REFERENCES:
1) Military Specifications MIL-E-16400B and MIL-A-21212.
2) U. S. Department of Defense Nomenclature Card.

.....

ANTENNA AS-5011/UR

FREQUENCY: VHF band, 115 - 156 mc; VSWR < 3.

ASSOCIATED EQUIPMENT: Radio Equipment AN/URT-7, AN/URR-21A, TDQ, and RCK. Equipment function - communications.

TYPE: Ground-plane antenna.

COGNIZANT AGENCY: Canada, 99.

DESCRIPTION: The antenna consists of a 1/4-wavelength radiating element (enclosed in a dielectric radome) and 4 aluminum-tube ground rods mounted on a cast aluminum base. The antenna is terminated with a UG-680/U connector for use with a 50-ohm transmission line.

MANUFACTURER: Sinclair Radio Laboratories, Ltd.

REFERENCES:
1) Sinclair Type Numbers D.AD-138 and AL-138.
2) U. S. Department of Defense Nomenclature Card.

INSTALLATION: Probably ground and shipboard.

.....

UNCLASSIFIED

ANTENNA AT-15/SWR-1

Cancelled 29 September 1943.

.....

ANTENNA AT-48/UP

FREQUENCY: SHF band, 5000 - 11,000 mc.

COGNIZANT AGENCY: U. S. Navy, contract NObser 39332.

TYPE: Horn.

MANUFACTURERS: General Electronic Industries, Model 710, and Hazeltine Electronics Corporation.

DESCRIPTION: AT-48/UP is a portable, horn-type general-purpose antenna capable of receiving or transmitting r-f energy in the X-band. The horn, which utilizes a type N connector, is a means of coupling test sets to X-band radars. It is constructed of sheet brass and weighs one-half pound. It is 2-1/2 inches wide, 2 inches high, and 5-1/2 inches long.

STOCK NUMBERS: Federal Stock Numbers 5841-524-4553; 5985-038-3462; Navy Stock Number (ASO) R168B150.

SCAN DATA: The antenna does not scan but may be mounted in a vertical or horizontal position.

REFERENCES:

- 1) Department of the Navy, AT-48/UP Test Antenna, NAVAER 20-55A1-4, (January 1, 1958). UNCLASSIFIED.
- 2) NavAer 08-55-78.
- 3) U. S. Department of Defense Nomenclature Card.

ASSOCIATED EQUIPMENT: Radio Frequency Test Set TS-13/AP and Detector-Amplifier Assembly AM/UPA-1A. Equipment function - test.

MISCELLANEOUS: The antenna has no support other than the type N connector.

.....

ANTENNA AT-50/U

FREQUENCY: VHF band, 170 - 180 mc; VSWR<2.0.

- 2) Department of the Air Force and the Bureau of Aeronautics, Radar Maintenance Equipment AN/UPM-1, AN/UPM-1A, and AN/UPM-1B, Handbook Maintenance Instructions, AN 16-30UPM1-3, (February 15, 1946 - revised November 1949). UNCLASSIFIED.

TYPE: Dipole.

DESCRIPTION: The antenna is a brass, half-wave dipole 32-1/2 inches long. It mounts at right angles to a steel tube 20-3/4 inches long. Provisions are made for mounting the tube either on a flat surface or on a rail. The support tube houses the concentric-line section which matches the radiator to the transmission line. A 50-ohm coaxial-cable feed is required at the input to the matching section. The antenna transmits an r-f signal to a YJ radar beacon or similar equipment and receives the response signal.

INSTALLATION: Ground, fixed, or shipboard.

ASSOCIATED EQUIPMENT: Radar Maintenance Equipment AN/UPM-1A and AN/UPM-1B. Equipment function - test.

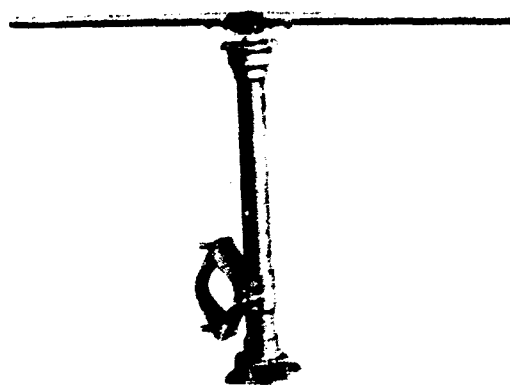
COGNIZANT AGENCY: U. S. Navy.

MANUFACTURERS: Hamilton Radio Corporation.

STOCK NUMBERS: Federal Stock Numbers N5985-156-6642 and 5985-284-9506.

REFERENCES:

- 1) U. S. Navy, Navy Stock List of the Electronics Supply Office, (Feb. 1958). UNCLASSIFIED.



AT-50/U

.....

UNCLASSIFIED

ANTENNA AT-51/U

FREQUENCY: UHF band, 500 - 520 mc.

2) U. S. Navy, Navy Stock List of the Electronics Supply Office, (Feb. 1953). UNCLASSIFIED.

TYPE: Dipole.

DESCRIPTION: The antenna is a half-wave dipole 12-1/2 inches long and 1/2 inch in outside diameter. It mounts at right angles to a steel tube 20-3/4 inches long. Provisions are made for mounting the tube either on a flat surface or on 2-1/4- to 3-1/4-inch rails. The antenna is fed by 50-ohm coaxial cable. A concentric-line section for matching the antenna to the 50-ohm lead-in is housed in the steel support tube. The antenna transmits an r-f signal to a YJ radar beacon or similar equipment and receives the response signal.

INSTALLATION: Ground, fixed, or shipboard.

ASSOCIATED EQUIPMENT: Radar Maintenance Equipment AN/UPM-1A and AN/UPM-1B. Equipment function - test.

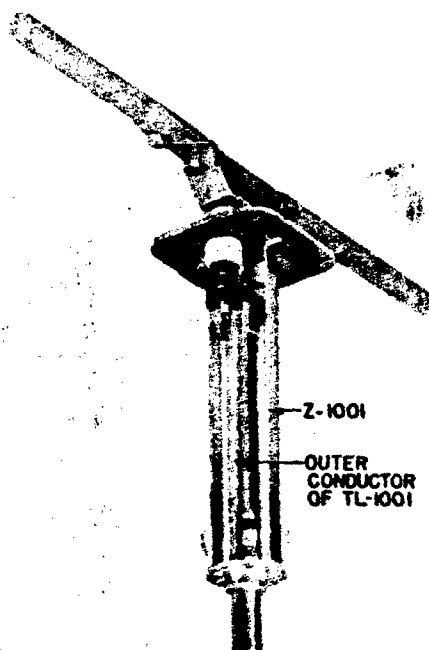
COGNIZANT AGENCY: U. S. Navy.

MANUFACTURER: Hamilton Radio Corporation per Hazeltine Drawing A-3426.

STOCK NUMBERS: Federal stock numbers N5985-636-4718 and 6625-295-9157.

REFERENCES:

- 1) Department of the Air Force and the Bureau of Aeronautics, Radar Maintenance Equipment AN/UPM-1, AN/UPM-1A, and AN/UPM-1B, Handbook Maintenance Instructions, AN 16-30UPM1-3, (Feb. 15, 1946 - revised Nov. 1949). UNCLASSIFIED.



AT-51/U

ANTENNA AT-150(*)/SRC

FREQUENCY: VHF and UHF bands, 220 - 570 mc; VSWR < 2.1 between 220 and 400 mc.

SRC, AT-150(SN-11)/SRC, and AT-150A/SRC.

COGNIZANT AGENCY: U. S. Navy, code 838.

TYPE: Dipole.

DESCRIPTION: The antenna is a broadband dipole, 2-1/4 inches in diameter and 17-3/8 inches long. It is constructed of aluminum and weighs 4-1/2 pounds. It is designed to be mounted on a yardarm or horizontal bracket. The cable connection to the antenna is usually made by an RG-18/U cable with a UG-982/U connector. As an alternative, an RG-10/U cable with a UG-941A/U connector can be used.

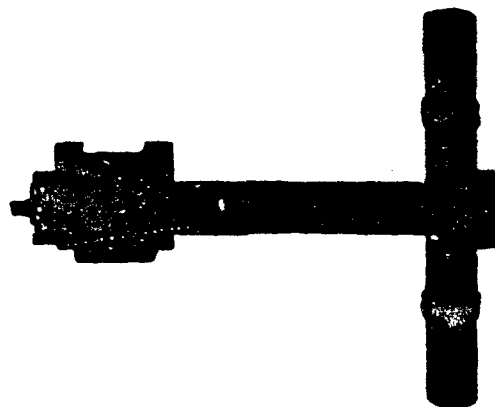
BEAM DATA:

Polarization - Vertical.

INSTALLATION: Shipboard.

ASSOCIATED EQUIPMENT: Radio Sets TDZ-RDZ, MAR-RDR, TED, AN/SRD-9, AN/URC-35(*), AN/URR-13, and other communications equipment. Equipment function - communications.

MISCELLANEOUS: AT-150()/SRC denotes AT-150/



AT-150/SRC

UNCLASSIFIED

MANUFACTURERS: Alden Products Co., Bird Electronics Corp., and Technical Appliance Corp., contracts NObsr-64775, NObsr-52115, and NObsr-52595.

STOCK NUMBER: Federal Stock Number F5985-665-3648 and Navy F16-A-51990-1201.

REFERENCES:

- 1) U. S. Navy Bureau of Ships, Antenna Data Sheets, Shipboard Antenna Details, Chapter

5, NAVSHIPS 900121(A), (Jan. 1, 1959). CONFIDENTIAL.

- 2) U. S. Navy Bureau of Ships, Antenna AT-150/SRC and Antenna Assembly AS-390/SRC, Instruction Book, NAVSHIPS 91338, (June 29, 1950). UNCLASSIFIED.



ANTENNA AT-151/UPT

FREQUENCY: SHF band, 3800 - 5000 mc.

TYPE: Horn.

DESCRIPTION: The antenna is brass plated and painted on the outside. The horn is of one-piece construction and has a detachable mounting bracket of cast aluminum which is anodized and painted. The overall dimensions are 7 inches long, 4 inches wide, and 6-3/8 inches high. The antenna weighs approximately 2 pounds and is fed by a 50-ohm coaxial cable.

BEAM DATA:

- Gain - 6 db.
- Half-power beamwidth - 60° (probably in both planes).
- Polarization - Linear, manually adjustable in three steps.

INSTALLATION: Ground or shipboard.

ASSOCIATED EQUIPMENT: Target Transmitter Set AN/SPM-1, which is used to calibrate Direc-

tion Finder DEM-1. Equipment function - test.

MISCELLANEOUS: AS-151/UPT is a Submarine Signal Company type 1412, drawing number 61233.

COGNIZANT AGENCY: U. S. Navy, code 837.

MANUFACTURERS: Submarine Signal Company, U.S. Navy contract NObsr-42417.

STOCK NUMBERS: Federal Stock Number F5985-369-5400.

REFERENCES:

- 1) U. S. Navy, Navy Stock List of the Electronics Supply Office, (Feb. 1958). UNCLASSIFIED.
- 2) U. S. Navy Specification Number CS-873.
- 3) U. S. Department of Defense Nomenclature Card.



ANTENNA AT-163/U

FREQUENCY: UHF and SHF bands, 1650 - 5200 mc.

TYPE: Probe.

DESCRIPTION: AT-163/U is an r-f probe constructed of silver-plated brass, 1-17/32 inches long and 5/8 inch in diameter. One end has a 5/8-24 thread and the other a 1/2-inch silver-plated clamp nut. The nomenclature card states that the probe has a "round female contact with loop at the rear of plug". It is used as a coupling connection for oscillator cavity output.

INSTALLATION: Probably shipboard or ground.

ASSOCIATED EQUIPMENT: Test equipment for Radar Sets SO-7M, SO-7N, and SO-8. Equipment function - test.

COGNIZANT AGENCY: U. S. Navy.

MANUFACTURER: Raytheon Manufacturing Company, procurement contract NXas-30264.

STOCK NUMBER: Federal Stock Number N6625-252-3433.

REFERENCES:

- 1) U. S. Navy, Navy Stock List of the Electronics Supply Office, (Feb. 1958). UNCLASSIFIED.
- 2) Raytheon Manufacturing Company Drawings No. L6-5152 and E-202200-L1.
- 3) U. S. Department of Defense Nomenclature Card.



ANTENNA AT-165(*)/UKR

FREQUENCY: VHF band, 215 - 235 mc.

TYPE: Helical.

DESCRIPTION: The antenna consists of a copper helix with an aluminum ground plane. The helix has a constant diameter of 17 inches

UNCLASSIFIED

and consists of approximately 2-1/2 turns of copper tubing. The distance between adjacent turns (i.e., the pitch) of the helix is 5.375 inches. The ground plane is a solid disk 30 inches in diameter with extendible arms for increasing the ground plane to a maximum diameter of 53 inches. The overall antenna is 53 inches in diameter and 27 inches in depth and weighs 48.5 pounds. The antenna mounts on a mast with the axis of the helix horizontal. The antenna is fed by a 52-ohm coaxial cable.

BEAM DATA:

Gain - 9 db.
Half-power beamwidth - Vertical - 70°. Horizontal - 70°.
Front-to-back ratio - 15 db.
Polarization - Right-hand circular.

INSTALLATION: Ground, fixed; or shipboard.

ASSOCIATED EQUIPMENT: Telemeter Receiving Set AN/UKR-5(). Equipment function-telemetering.

MISCELLANEOUS: AT-165(*)/UKR denotes models AT-165/UKR and AT-165()/UKR. The nomenclature card indicates that AT-165()/UKR has a frequency range of 215-222 mc and a gain of 6 db. Otherwise, they seem to be identical.

COGNIZANT AGENCY: U. S. Navy.

MANUFACTURERS: Tele-Dynamics Incorporated (formerly Raymond Rosen Engineering Products), Navy procurement contract NOa(s)-1022F (for AT-165/UKR). Melpar Incorporated, Navy procurement contract NOa(s)-9139 (for AT-165()/UKR).

REFERENCES:

- 1) U. S. Air Force, AN/UKR-5 and AN/UKR-5A Telemeter Receiving Set, Handbook Maintenance Instructions, AN 16-30UKR5-7, (Mar. 1, 1954 - revised April 15, 1955). UNCLASSIFIED.
- 2) U. S. Air Force, AN/UKR-5B Telemeter Receiving Set, Handbook Maintenance Instructions, AN 16-30UKR5-7, (July 1, 1954). (Supplement to Reference 1.) UNCLASSIFIED.
- 3) Private Correspondence.
- 4) Military Specification R-16R103(Aer) for AT-165/UKR and XEL-12(BuAer) for AT-165()/UKR.
- 5) U. S. Department of Defense Nomenclature Card.



ANTENNA AT-193(*)/U

FREQUENCY: VHF band, 80 - 170 mc.

TYPE: Dipole, with flat-screen reflector.

DESCRIPTION: The antenna is constructed of brass and finished with gray enamel. The dipole is used with a two-piece, adjustable, reflector screen. The dipole and housing are 52 inches long and 6 inches in diameter. The 2-piece, adjustable reflector is 72 inches long and 11-3/4 inches wide and is probably constructed of 3/4-inch tubing. The dipole is fed by a 50-ohm coaxial cable. When used with the antenna support of AS-236/SPT, the antenna can be tilted and rotated.

INSTALLATION: Ground or shipboard.

ASSOCIATED EQUIPMENT: Radar Target Transmitter OCY-1 and Radar Transmitter 52ADW. Equipment function - direction finding and training.

MISCELLANEOUS: AT-193(*)/U denotes models AT-193()/U and AT-193/U. No data are avail-

able on differences, if any, between models. AT-193(*)/U is similar to 66AKJ. Reference 1 gives the length of the dipole and housing as 52 inches; the nomenclature card gives 30 inches.

COGNIZANT AGENCY: U. S. Navy.

MANUFACTURERS: International Industrial Development Company, contract NObsr-42503.

STOCK NUMBERS: Federal Stock Number N5985-249-4395.

REFERENCES:

- 1) U. S. Navy, Navy Stock List of the Electronics Supply Office, (Feb. 1958). UNCLASSIFIED.
- 2) Navy Specifications CS-1045.
- 3) U. S. Department of Defense Nomenclature Card.



ANTENNA AT-194()/SPG

FREQUENCY: SHF band, 8500 - 9600 mc.

TYPE: Paraboloidal reflector.

DESCRIPTION: The reflector is a paraboloid, 40 inches in diameter, constructed of plastic and

fiberglass. The reflector is used with the AS-515()/SPG antenna, which includes a Cutler feed.

INSTALLATION: Shipboard.

UNCLASSIFIED



AS-515/SPG Radar Antenna with AT-194A/SPG Antenna Reflector

ASSOCIATED EQUIPMENT: Radar Sets AN/SPG-34, AN/SPG-48, and Radar Equipment Mark 34 Mod 17. Equipment function - fire control.

MISCELLANEOUS: Antenna AT-194A/SPG will also accommodate the Mark 16 Mod 2 antenna.

COGNIZANT AGENCY: U. S. Navy.

MANUFACTURER: Western Electric Co., procurement contract NORD-10746,13224.

REFERENCES:

- 1) U. S. Navy Bureau of Ordnance, Radar Set AN/SPG-34, Maintenance, NAVORD OP 2028, Volume 2, (June 25, 1953). UNCLASSIFIED.
- 2) U. S. Department of Defense Nomenclature Card.

.....

ANTENNA AT-236()/GRD

FREQUENCY: VHF band, 40 - 48 mc.

TYPE: Loop.

DESCRIPTION: The antenna is a diamond-shaped wooden frame carrying two parallel conductors spaced 1/8 inch apart. The antenna is collapsible and measures 22-3/4 by 17-5/8 by 3 inches extended and 15 by 6 by 5 inches collapsed. A switch and capacitor in the base of the loop provide for sensing and tuning. A matching transformer, and attenuator (mounted on the antenna posts of the radio

set), and a connecting cable are supplied. The antenna can be rotated on its base.

INSTALLATION: Ground or shipboard, portable.

ASSOCIATED EQUIPMENT: Radio Set SCR-300-().

COGNIZANT AGENCY: SCL-7394.

REFERENCE:

U. S. Department of Defense Nomenclature Card.

.....

ANTENNA AT-252/SR

See Antenna Group AN/SRA-3.

ANTENNA REFLECTOR AT-262/MPN-54()

See Antenna AS-762/MPN-5.

ANTENNA REFLECTOR AT-263/MPN-54()

See Antenna AS-763/MPN-5.

ANTENNA REFLECTOR AT-265/MPN-54()

Part of Antenna AS-764/MPN-5.

ANTENNA HORN AT-268/MPN-54()

See Antenna AS-764/MPN-5 and Antenna AS-765/MPN-5.

.....

UNCLASSIFIED

ANTENNA AT-274/BRR

FREQUENCY: VLF and LF bands, 0.0146 - 0.038 mc.

TYPE: Loop.

DESCRIPTION: The antenna is a low-frequency underwater, single-plane loop antenna designed for installation aboard submarines. It consists of a single-plane loop inductor of 500 microhenries enclosed in a tear-drop-shaped polyethylene housing. The entire housing has a 1/4-inch rubber sheathing for additional protection against leakage. The antenna has an input impedance of 50 ohms and is fed by RG-57/U coaxial cable. It weighs 70 pounds and is 24-1/2 inches long, 8-1/2 inches wide, and 13-1/4 inches high. It is used only for receiving and is designed to be mounted in a fixed location or on a retractable mast aboard submarines.

BEAM DATA:

Beam type - Figure eight.

Polarization - Vertical.

INSTALLATION: Shipboard (submarine).

ASSOCIATED EQUIPMENT: Radio Receivers RBA and RAK. Equipment function - communications.

MISCELLANEOUS: The polyethylene housing is pressurized to 600 pounds per square inch.

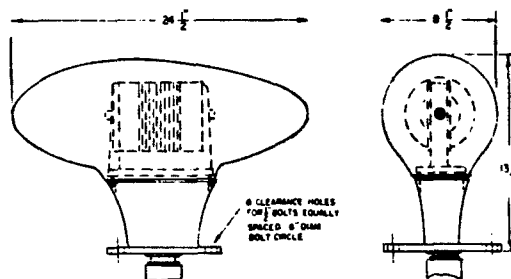
COGNIZANT AGENCY: U. S. Navy.

MANUFACTURERS: American Phenolic Corporation, Navy contract NObsr-30171.

STOCK NUMBERS: Navy F16-A-45795-2421, Federal Stock Number N5985-369-5346.

REFERENCES:

- 1) U. S. Navy Bureau of Ships, Antenna Data Sheets, Shipboard Antenna Details, Chapter 5, NAVSHIPS 900121(A), (Jan. 1, 1959). CONFIDENTIAL.
- 2) U. S. Department of Defense Nomenclature Card.



AT-274/BRR

ANTENNA REFLECTOR AT-276/SPG

TYPE: Paraboloidal reflector fed by a horn.

DESCRIPTION: The reflector is a paraboloid 60 inches in diameter. It is made of fiberglass with a metalized reflecting surface. The antenna is flange mounted and has a 12-1/4-inch bolt circle of 12 mounting studs at the hub of the reflector to provide for the attachment of an antenna horn.

ASSOCIATED EQUIPMENT: Radar Set AN/SPG-48. Equipment function - fire control.

COGNIZANT AGENCY: U. S. Navy.

REFERENCE:

- U. S. Department of Defense Nomenclature Card.

ANTENNA AT-317(*)/BRR

FREQUENCY: VLF and LF bands, 0.0146 - 0.038 mc.

TYPE: Crossed loops.

DESCRIPTION: The antenna consists of two 500-microhenry loops wound at right angles to each other and imbedded in a polyethylene, tear-drop housing. It weighs 126 pounds and is mounted on the submarine hull with eight 1/2-inch bolts on a 6-inch bolt circle. A switching arrangement is included so that either or both of the loops may be used. The antenna has a 75-foot, RG-160/U cable supplied with it.

which loop is used. When both loops are used, the pattern is nondirectional. Polarization - Vertical.

TUNING/MATCHING DEVICES: A matching transformer, tuning capacitor, and phasing network are supplied.

INSTALLATION: Shipboard (submarine).

ASSOCIATED EQUIPMENT: Radio Receiving Equipments Model RAK, RBA, and AN/SRR-11. Equipment function - communications.

BEAM DATA:

Beam type - When only one loop is used, the pattern is a figure of eight with maximum radiation either in the fore-aft directions or the port-starboard directions depending on

MISCELLANEOUS: AT-317(*)/BRR denotes AT-317/BRR and AT-317A/BRR.

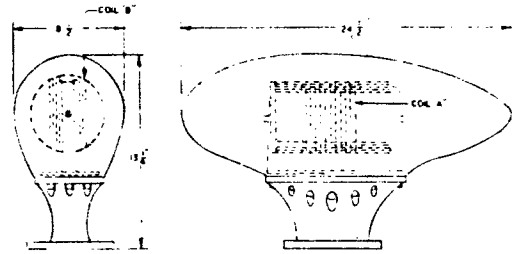
COGNIZANT AGENCY: U. S. Navy, code 838.

UNCLASSIFIED

MANUFACTURER: American Phenolic Corp., part number 142-002.

REFERENCES:

- 1) U. S. Navy Bureau of Ships, Antenna Data Sheets, Shipboard Antenna Details, Chapter 5, NAVSHIPS 900121(A), (Jan. 1, 1959). CONFIDENTIAL.
- 2) Bureau of Ships Specification MIL-A-15900.
- 3) U. S. Navy Bureau of Ships, Navy Mod. AT-317/BRR VLF Loop Antenna System for Use with Models RAK, RBA, AN/SRR-11 Radio Receiving Equipments, NAVSHIPS 92182, UNCLASSIFIED.
- 4) NAVSHIPS 92084.



AT-317(*)/BRR

ANTENNA AT-343(U)/URC

FREQUENCY: MF and HF bands, 2 - 26 mc.

TYPE: whip

DESCRIPTION: The antenna is a motor-driven, retractable whip for general purpose use. It consists of one fixed section 9 feet long and 4 telescoping sections, each 5 feet long. Each section is made of a copper-wire radiator inside a piece of plastic tubing. The antenna is equipped with a 1/4-horsepower, reversible 110-volt a-c motor. The assembly mounts to a flat plate 12 inches by 16 inches. The antenna forms a pressure seal in the retracted position and is drip-proof in the erected position.

INSTALLATION: Ground, fixed or vehicular; or shipboard (submarine).

ASSOCIATED EQUIPMENT: General purpose use. Equipment function - communications.

COGNIZANT AGENCY: U. S. Navy.

MANUFACTURER: Bergen Engineering and Development Corporation, Paramus, New Jersey, contract NObsr-43103.

REFERENCES:

- 1) Department of the Navy and the Bureau of Ships, Instruction Book for Automatic Retractable Antenna AT-343 (XN-1)/URC, NAVSHIPS-91494. UNCLASSIFIED.
- 2) U. S. Department of Defense Nomenclature Card.

ANTENNA AT-350(*)/BRC

MAJOR COMPONENTS: 1 AT-497/U antenna and 1 three-section antenna support.

FREQUENCY: MF and HF bands, 2 - 30 mc.

TYPE: Whip.

DESCRIPTION: Antenna AT-497/U is a whip, 12 feet long with a maximum diameter of 0.300 inch tapering to 0.100 inch at the top. The AT-350/BRC antenna assembly includes, in addition to the whip antenna, a 3-section streamlined antenna support. Each section is a 6-foot-long, corrosion-resistant, steel tube with a rotatable plastic fairing. A Teflon insulator section, 6-3/16 inches long, separates the whip from the antenna support. The antenna is designed for connection to an RG-17/U cable.

BEAM DATA:

Beam type - Omnidirectional in azimuth.
Polarization - Vertical.

INSTALLATION: Shipboard (submarine).

ASSOCIATED EQUIPMENT: Various radio sets. Equipment function - communications.

MISCELLANEOUS: AT-350(*)/BRC denotes AT-350/BRC and AT-350A/BRC.

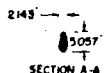
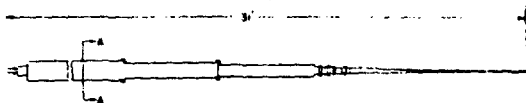
COGNIZANT AGENCY: U. S. Navy, BuShips, code 838.

MANUFACTURER: Premax Products Division of Chrisholm Ryder Co., contracts NObsr 52602 and NObsr 71275.

REFERENCES:

- 1) U. S. Navy, Navy Stock List of the Electronics Supply Office, (Feb. 1958). UNCLASSIFIED.
- 2) U. S. Navy Bureau of Ships, Antenna Data Sheets, Shipboard Antenna Details, Chapter 5, NAVSHIPS 900121(A), (Jan. 1, 1959). CONFIDENTIAL.

UNCLASSIFIED



AT-350/BRC

- 3) Bureau of Ships Drawing RE 66F 627.
- 4) NAVSHIPS - Manuscript Technical Manual for Streamlined Mid-fed Whip Antenna AT-350/BRC.
- 5) U. S. Navy Bureau of Ships, Antenna AT-350A/BRC, Technical Manual, NAVSHIPS 93215. UNCLASSIFIED.

ANTENNA AT-365(*)/BL

MAJOR COMPONENTS: 1 stub, 1 type 61277 insulator, and 1 base casting.

FREQUENCY: VHF and UHF bands, 30 - 1000 mc.

TYPE: Stub.

DESCRIPTION: The antenna is a stub, 20 inches long. It is mounted by 12 equally spaced 1/2-inch holes on a 6-13/16-inch-diameter bolt circle. The antenna is designed for connection to a 50-ohm cable, RG-8/U.

BEAM DATA:

Polarization - Horizontal.

INSTALLATION: Shipboard (submarine).

ASSOCIATED EQUIPMENT: Radar Set AN/SPR-1 and Countermeasures Receiving Set AN/BLR-1. Equipment function - countermeasures.

MISCELLANEOUS: AT-365(*)/BL denotes AT-365/BL and AT-365A/BL.

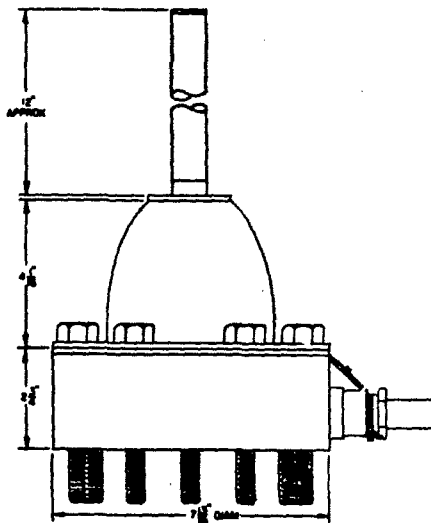
COGNIZANT AGENCY: U. S. Navy, code 833.

MANUFACTURER: Various Naval Shipyards.

REFERENCES:

- 1) U. S. Navy Bureau of Ships, Antenna Data Sheets, Shipboard Antenna Details, Chapter 5, NAVSHIPS 900121(A), (Jan. 1, 1959). CONFIDENTIAL.
- 2) BuShips Drawings RE 66F 570 and RE 61F 259 (AT-365/BL).

- 3) BuShips Drawing REB66000 (AT-365A/BL).
- 4) U. S. Navy, SSJ240 Class, Submarine Antenna Systems Summary, (Feb. 19, 1958). UNCLASSIFIED.
- 5) U. S. Department of Defense Nomenclature Card.



AT-365A/BL

ANTENNA AT-372/UKR

MAJOR COMPONENTS: 1 helix, 1 ground plane.

FREQUENCY: VHF band, 215 - 230 mc; VSWR < 1.3.

TYPE: Helical antenna.

DESCRIPTION: The antenna consists of a helix enclosed in a radome and a flat-plate ground plane with radial rod extensions. The helix is made of copper tubing and is 20 inches in diameter with 3 turns in a 17-inch length. The ground plane consists of a 30-inch-

diameter plate with eight radial, aluminum channel extensions. The overall diameter of the ground plane is 53 inches. The antenna mounts by six 5/8-inch bolts on pedestal AB-238/UFA at the base of IFF antenna AN/UFA-22 or AN/UFA-23. The antenna is designed for connection to a 52-ohm coaxial cable, RG-14/U or RG-74/U.

BEAM DATA:

Polarization - Circular.

UNCLASSIFIED

ASSOCIATED EQUIPMENT: Telemetric Data Receiving Set AN/UKR-8. Equipment function - telemetering.

COGNIZANT AGENCY: U. S. Navy, BuOrd.

MANUFACTURER: J. P. Seeburg Corporation, Chicago, Illinois, contract NOrd-11878.

REFERENCES:

- 1) J. P. Seeburg Corporation Drawings 9250-1701 and 9250-134.
- 2) U. S. Navy Specification KLX-PE-2A.
- 3) U. S. Department of Defense Nomenclature Card.



ANTENNA AT-388/SPS-12

FREQUENCY: UHF band, 1000 - 1120 mc.

TYPE: Dipole.

DESCRIPTION: The antenna is a dipole, 5-1/2 inches long with a 5/8-inch diameter. The feed is mounted in a vertical position, centered in the mouth of the feedhorn of Antenna AS-603/SPS-12. Dipole AT-388/SPS-12 and the reflector of Antenna AS-603/SPS-12 make up the IFF antenna for Radar Set AN/SPS-12.

BEAM DATA:

Polarization - Vertical.

INSTALLATION: Shipboard.

ASSOCIATED EQUIPMENT: Radar Set AN/SPS-12 and AN/UPK equipments. Equipment function - IFF.

COGNIZANT AGENCY: U. S. Navy, code 82L.

MANUFACTURER: Radio Corporation of America, Victor Division.

REFERENCES:

- 1) RCA drawing D-631536-1 rev 0.
- 2) U. S. Department of Defense Nomenclature Card.



ANTENNA HORN AT-409/MPN-5

See Antenna AS-762/MPN-5.

ANTENNA HORN AT-410/MPN-5&()

See Antenna AS-763/MPN-5.

ANTENNA HORN AT-411/MPN-5&()

See Antenna AS-765/MPN-5.



ANTENNA AT-422()/URD-1X&()

FREQUENCY: LF and MF band, 0.225 - 0.550 mc.

TYPE: Loop.

DESCRIPTION: The antenna is a rotatable loop consisting of 18 turns of 14 AWG wire. It has a mean diameter of 28-1/2 inches and is enclosed by a metal loop cover. It is designed to use shielded transmission line.

INSTALLATION: Shipboard or ground.

ASSOCIATED EQUIPMENT: Radio Set AN/URD-1()X. Equipment function - direction finding.

COGNIZANT AGENCY: SCIE-4315.

MANUFACTURER: Mackay Radio & Telegraph Co., procurement contract 2936-PHILA-52.

REFERENCES:

- 1) Manufacturer's Drawing No. F-4308-14.
- 2) U. S. Department of Defense Nomenclature Card.



ANTENNA AT-457()/SPS-12

FREQUENCY: UHF band, 1250 - 1350 mc.

TYPE: Dipole.

DESCRIPTION: The antenna is a dipole 4-7/8

inches long and is constructed of silver-plated brass. The mounting flange has four 0.238-inch-diameter mounting holes on a 1-5/8-inch-diameter bolt circle. The dipole is used as a test antenna.

UNCLASSIFIED

INSTALLATION: Shipboard.

ASSOCIATED EQUIPMENT: Test equipment for Radar Set AN/SPS-12. Equipment function - test.

COGNIZANT AGENCY: U. S. Navy

MANUFACTURER: RCA Victor Division.

REFERENCES:

- 1) RCA drawing C-748145 rev 0.
- 2) U. S. Department of Defense Nomenclature Card.



ANTENNA AT-458/SR

FREQUENCY: VHF and UHF bands, 225 - 400 mc.

TYPE: Slot antenna.

DESCRIPTION: The antenna is a flush mounted annular slot 31-1/2 inches in diameter constructed of aluminum and fiberglass. Coaxial transmission line is used to feed the slot. The antenna is mounted by means of 24-1/2-inch holes spaced on a 14-13/16-inch-radius circle.

INSTALLATION: Shipboard.

ASSOCIATED EQUIPMENT: Various UHF equipment. Equipment function - communications.

COGNIZANT AGENCY: U. S. Navy.

MANUFACTURER: Federal Telecommunication Lab., procurement contract NOber 52349

REFERENCES:

- 1) FTL drawing ML-62398-1B.
- 2) Government Specification SHIPS-A-709.
- 3) U. S. Department of Defense Nomenclature Card.



ANTENNA AT-477/U

FREQUENCY: HF and VHF bands, 20 - 88 mc.

TYPE: Dipole.

DESCRIPTION: The antenna consists of a dipole head and 14 dipole elements which can be used in various combinations to cover the 20- to 88- mc frequency range. A variable inductance is incorporated in the antenna to permit tuning to the operating frequency. The antenna has an input impedance of 50 ohms and is fed by coaxial cable. A 20-inch wooden mast is provided for mounting, probably to Antenna Mast AB-363/U. The antenna may be tilted. It is finished with fungicidal varnish.

TUNING/MATCHING DEVICES: The antenna has adjustable-length dipole elements and a variable inductance for tuning.

INSTALLATION: Ground or shipboard.

ASSOCIATED EQUIPMENT: Radio Interference Measuring Set AN/URM-47(). Equipment function - probably countermeasures, monitoring.

COGNIZANT AGENCY: U. S. Navy

MANUFACTURER: Stoddart Aircraft Radio Company.

STOCK NUMBER: Federal Stock Number 5985-295-7102.

REFERENCES:

- 1) NAVSHIPS 93147.
- 2) Private Correspondence.
- 3) U. S. Department of Defense Nomenclature Card.



ANTENNA AT-497/U

See AT-350/ERC.



UNCLASSIFIED

ANTENNA AT-521/URM-42

FREQUENCY: SHF band, 5200 - 11,000 mc.

TYPE: Horn antenna.

DESCRIPTION: The antenna is a flared waveguide horn. The antenna is 5-17/32 inches long and 2 inches high without the mounting bracket. The horn is 3-29/32 inches high overall including the bracket. The horn is terminated with a type N connector for connection to a 52-ohm coaxial cable. The antenna is mounted on a mast by means of a bracket 1-7/8 inches long by 7/8 inch in diameter. The horn can be rotated.

INSTALLATION: Ground, shipboard, or airborne.

ASSOCIATED EQUIPMENT: Radio Interference Monitoring Set AN/URM-42. Equipment function - test.

MISCELLANEOUS: The antenna is an AT-48/UP modified by adding a mounting bracket.

COGNIZANT AGENCY: U. S. Navy.

MANUFACTURER: Stoddart Aircraft Radio Co., Inc., Hollywood, California, part number 91026-1, contract NObsr-63341.

REFERENCES:

- 1) U. S. Navy, Navy Stock List of the Electronics Supply Office, (Feb. 1958). CONFIDENTIAL.
- 2) U. S. Department of Defense Nomenclature Card.



ANTENNA AT-522/URM-42

FREQUENCY: UHF and SHF bands, 300 - 4000 mc.

TYPE: Conical antenna, discone type.

DESCRIPTION: The antenna is a discone which is connected to a 52-ohm coaxial cable. The dimensions are 7-1/2 inches high without the mounting bracket and connector, 10-13/16 inches high overall, 12 inches maximum diameter, and 6-15/16 inches minimum diameter. The antenna mounts on a mast by means of a mounting bracket 1-7/8 inches long by 7/8 inch in diameter.

INSTALLATION: Ground, shipboard, or airborne.

ASSOCIATED EQUIPMENT: Radio Interference Measuring Set AN/URM-42. Equipment function - test.

MISCELLANEOUS: The antenna is an AT-49A/APR-4 modified by adding a mounting bracket.

COGNIZANT AGENCY: U. S. Navy

MANUFACTURER: Stoddart Aircraft Radio Co., Inc., Hollywood, California, order NObsr-63341.

REFERENCES:

- 1) U. S. Navy, Navy Stock List of the Electronics Supply Office, (Feb. 1958). CONFIDENTIAL.
- 2) U. S. Department of Defense Nomenclature Card.



ANTENNA AT-557/SMD-1A

FREQUENCY: UHF band, 1600-1700 mc.

TYPE: Paraboloidal reflector.

DESCRIPTION: The antenna is a paraboloidal reflector constructed of expanded aluminum and aluminum tubing. Overall dimensions are 72 inches in diameter and 17 inches in depth. The reflector has a focal length of 27.4 inches. The reflector mounts by means of twelve 3/8-16 screws equally spaced on a 6-1/8-inch-radius bolt circle. It is used with "Ravin" set.

INSTALLATION: Shipboard.

ASSOCIATED EQUIPMENT: Radiosonde Receptor, AN/SMD-1A. Equipment function - direction finding.

COGNIZANT AGENCY: U. S. Navy.

MANUFACTURER: A. D. Cardwell Mfg. Co., procurement contract NOas 54-433.

REFERENCES:

- 1) Government Specification MIL-R-17110.
- 2) U. S. Department of Defense Nomenclature Card.



UNCLASSIFIED

ANTENNA AT-592/URN-3

FREQUENCY: UHF band, 960-1250 mc; VSWR < 2.

REFERENCES:

TYPE: Ground-plane antenna.

- 1) Federal Telecommunications drawing number CBX-336947.
- 2) Olympic drawing numbers MS15292, SA15293, and AS15324.
- 3) Technical Manual for Radio Frequency Monitor MX-1627/URN-3.

DESCRIPTION: The antenna is a vertical stub, 4-1/4 inches long with a horizontal, plate-type ground plane, 12-1/2 inches square and 1/8 inch thick. The stub is made of silver-plated brass, and the ground plane, of anodized aluminum. The antenna is designed for a 50-ohm coaxial cable with a type N connector. The antenna has spraytight construction with a rexolite cover for the vertical stub. The antenna weighs 2-1/2 pounds.



AT-592/URN-3

INSTALLATION: Ground or shipboard.

ASSOCIATED EQUIPMENT: Radio Frequency Monitor MX-1627/URN-3. Equipment function-test.

COGNIZANT AGENCY: U. S. Navy, BuShips.

MANUFACTURER: Federal Telecommunications Laboratories, Belleville, New Jersey, and Olympic Radio and Television Inc., Long Island City, New York, contract NObsr 64743.



ANTENNA AT-609/SRC-8&()

FREQUENCY: MF and HF bands, 2 - 3.5 mc.

TYPE: Whip.

DESCRIPTION: The antenna consists of a 9-foot whip mounted on a 14-foot mast and probably includes a loading coil mounted at the base of the whip. The base of the mast has a universal swivel joint to facilitate lowering. The antenna is probably shunt fed from a high impedance tank circuit.

BEAM DATA:

Beam type - Omnidirectional in azimuth.
Polarization - Vertical.

INSTALLATION: Shipboard.

ASSOCIATED EQUIPMENT: Radio Sets AN/SRC-8, -8AZ and -8XX. Equipment function - communications.

COGNIZANT AGENCY: SCLM - 7678.

MANUFACTURER: Munston Mfg. and Service, Inc., part number MRA-23, procurement contract 28589-PH-55-55(31).

REFERENCE:

Departments of the Army and the Air Force, Radio Sets AN/SRC-8, AN/SRC-8AZ and AN/SRC-8XX, TM 11-253, TO 31R2-2SRC8-11, (May 1957).
UNCLASSIFIED.

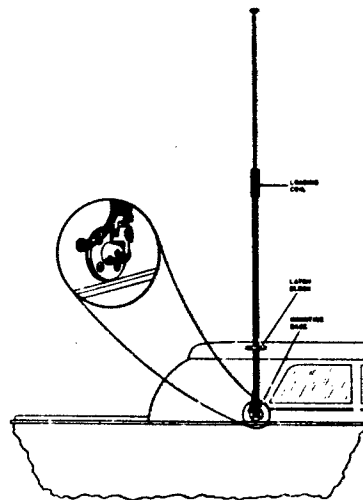


Figure 1 Typical approximate mounting of antenna AT-609/SRC-8.

AT-609(S)/SRC-8



ANTENNA AT-627/SRD-12

FREQUENCY: LF, MF, and HF bands, 0.275 - 3.5 mc.

TYPE: Whip.

UNCLASSIFIED

DESCRIPTION: The antenna consists of a two-section whip 10 feet 2-1/4 inches long. The sections are 58-1/2 inches and 68 inches in length and 1/2 inch (maximum) in diameter. The whip is designed for mast mounting with four 3/8-inch mounting holes on a 3-inch diameter bolt circle. The whip terminates in a transformer, probably a loading coil, and uses 75-ohm coaxial cable.

INSTALLATION: Shipboard.

ASSOCIATED EQUIPMENT: Direction Finder Set AN/SRD-12. Equipment function - direction finding.

MISCELLANEOUS: AT-627/SRD-12 is probably the sense antenna for AT-628/SRD-12.

COGNIZANT AGENCY: U. S. Navy.

MANUFACTURERS: Raytheon Mfg. Co., part number 2395.

- REFERENCES:
- 1) USCG Specification RDF-319.
 - 2) U. S. Department of Defense Nomenclature Card.



ANTENNA AT-628/SRD-12

FREQUENCY: LF, MF, and HF bands, 0.275 - 3.5 mc.

TYPE: Loop.

DESCRIPTION: The antenna is a loop consisting of wire wound on a frame which is 11-5/16 inches diagonally and 1 inch wide. The loop is designed to use RG-111/U coaxial cable and mounts by means of eight 5/8-inch mounting holes on an 8-1/2-inch-diameter bolt circle. It is designed for use in a radome for weatherproofing and is motor-driven

BEAM DATA:
Beam type - Figure eight.
Polarization - Vertical.

INSTALLATION: Shipboard.

ASSOCIATED EQUIPMENT: Direction Finder Set AN/SRD-12. Equipment function - direction finding.

MISCELLANEOUS: This antenna probably uses AT-627/SRD-12 antenna as a sense element.

COGNIZANT AGENCY: U. S. Navy

MANUFACTURER: Raytheon Mfg. Co., part number 2394.

- REFERENCES:
- 1) USCG Specification RDF-319.
 - 2) U. S. Department of Defense Nomenclature Card.



ANTENNA AT-629/SRC

FREQUENCY: VHF and UHF bands, 225 - 400 mc.

TYPE: Broadband dipole.

DESCRIPTION: The center-fed dipole consists of two cylinders, each made of 6 rods 8 inches long. The cylinders are concentric about a mast. The rods of each cylinder are connected in parallel at the ends by means of two 16-inch-diameter rings. The mast is 4-1/2 inches in diameter, 3 feet long, and equipped with a mounting flange on either end, each of which has eight 5/8-inch mounting holes spaced on a 7-inch-diameter bolt circle. One to four of the dipoles may be stacked to form a collinear array.

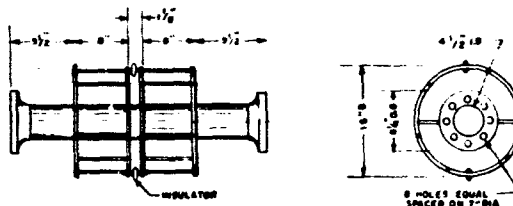
BEAM DATA:
Beam type - Omnidirectional in azimuth.
Polarization - Vertical.

INSTALLATION: Shipboard.

COGNIZANT AGENCY: U. S. Navy.

STOCK NUMBER: Federal Stock Number F5985-605-4342.

- REFERENCES:
- 1) U. S. Navy Bureau of Ships, Antenna Data Sheets, Shipboard Antenna Details, Chapter 5, NAVSHIPS 900121(A), (Jan. 1, 1959). CONFIDENTIAL.
 - 2) BuShips drawing FS/S6709/B/1,819,562.
 - 3) U. S. Department of Defense Nomenclature Card.



AT-629/SRC

UNCLASSIFIED

ANTENNA AT-636/SPG-49

FREQUENCY: SHF band, 5400 - 5900 mc.

TYPE: Probably a flat-screen reflector.

DESCRIPTION: The antenna is probably a flat-screen reflector with a vertically polarized reflecting screen constructed of aluminum and stainless steel. The surface of the reflector is passivated. The antenna is 88 inches long, 22 inches wide, and 62 inches high. The reflector mounts on two 1-1/2-inch-diameter shafts.

INSTALLATION: Probably shipboard.

ASSOCIATED EQUIPMENT: Radar Set AN/SPG-49. Equipment function - probably fire control.

COGNIZANT AGENCY: U. S. Navy 5-328.

MANUFACTURER: Sperry Gyroscope Co., part number 613541, procurement contract NOrd-15924.

REFERENCES:

- 1) U. S. Navy Specification MIL-R-18669. (NORD).
- 2) U. S. Department of Defense Nomenclature Card.



ANTENNA AT-639(U)/URH-2

FREQUENCY: Probably HF band, 14 - 30 mc.

TYPE: Whip.

DESCRIPTION: The antenna consists of 3 mast sections; the base section includes an impedance-matching network and housing. It is tripod mounted, has an input impedance of 50 ohms, and terminates in a type N connector.

INSTALLATION: Ground or shipboard.

ASSOCIATED EQUIPMENT: AN/URH-2.

MISCELLANEOUS: The nomenclature card lists the frequency range as 14 kc to 30 mc. Both frequencies probably should be in the same units

(i.e., kc or mc) but no data are available to determine which is correct. The type N connector is usually used only at high frequencies, so the frequency is probably 14 to 30 mc.

COGNIZANT AGENCY: U. S. Navy.

MANUFACTURERS: Pickard and Burns, Incorporated, Needham, Mass., Navy contract NObsr-57422.

REFERENCES:

- 1) Military Specification MIL-E-16132(ships).
- 2) U. S. Department of Defense Nomenclature Card.



ANTENNA AT-693/BLR

FREQUENCY: VHF and UHF bands, 30 - 1000 mc.

TYPE: Stub.

DESCRIPTION: The antenna consists of a stub 11-1/8 inches long mast mounted at an angle of 45° and presumably a short distance from a horizontal ground plane. RG-17/U and RG-9A/U coaxial transmission lines are used. Overall length is 20 inches, and overall diameter is 4 inches.

INSTALLATION: Shipboard (submarine).

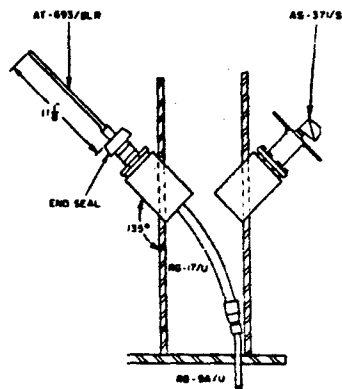
ASSOCIATED EQUIPMENT: Countermeasures receiving Set AN/BLR-1. Equipment function - probably countermeasures, monitoring.

COGNIZANT AGENCY: U. S. Navy 1885.

REFERENCES:

- 1) U. S. Navy Bureau of Ships, Antenna Data Sheets, Shipboard Antenna Details, Chapter 5, NAVSHIPS 900121(A), (Jan. 1, 1959).
CONFIDENTIAL.

2) BuShips drawing SS-338-86709-1046732B.



AT-693/BLR



UNCLASSIFIED

ANTENNA AT-774()/UR

FREQUENCY: MF and HF bands, 2 - 30 mc.

TYPE: Whip.

DESCRIPTION: The assembly is a portable, emergency, whip antenna designed primarily for use on submarines. In an emergency, the antenna can be installed quickly and easily for use with communications equipment. The antenna is held in place by a C-clamp located at the base. The antenna can be tilted, within limits, to increase its effectiveness.

INSTALLATION: Shipboard (submarine).

ASSOCIATED EQUIPMENT: Unknown. Equipment function - communications.

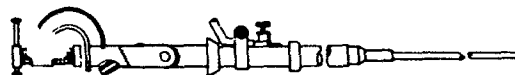
COGNIZANT AGENCY: U. S. Navy.

MANUFACTURER: Polytronic Research, Incorporated, Navy contract NObSr-75241.

STOCK NUMBER: Federal Stock Number F5985-615-5296.

REFERENCES:

- 1) U. S. Navy Bureau of Ships, Antenna Data Sheets, Shipboard Antenna Details, Chapter 5, NAVSHIPS 900121(A), (Jan. 1, 1959). CONFIDENTIAL.
- 2) BuShips drawing REC-66003.
- 3) U. S. Navy Underwater Sound Laboratory Sketch No. 27222.
- 4) Bureau of Ships, NAVSHIPS 93206A, page 1, (Sept. 25, 1958). UNCLASSIFIED.



AT-774()/UR

.....

ANTENNA AT-775/SMQ-1

FREQUENCY: UHF band, 390 - 410 mc.

TYPE: Ground-plane antenna.

DESCRIPTION: The antenna consists of a stub antenna mounted above a plate-type ground plane. The stub is 1/4 inch in diameter and 5-37/64 inches in length. The antenna mounts on tubing which is about 1-1/4 inches in diameter. It has an input impedance of 50 ohms and is fed by RG-10A/U coaxial cable. It is used for receiving.

INSTALLATION: Shipboard.

COGNIZANT AGENCY: U. S. Navy-57-0-638.

MANUFACTURER: Barth Engineering and Manufacturing Company.

REFERENCES:

- 1) Specification MIL-R-18657 (Aer).
- 2) Manufacturer's drawing 50075.
- 3) U. S. Department of Defense Nomenclature Card.

.....

ANTENNA AT-818/BRC

FREQUENCY: MF and HF bands, 2 - 30 mc.

TYPE: Whip.

DESCRIPTION: The antenna is a fixed whip which can be tilted; it is used for transmitting or receiving. It mounts to a retractable mast or fairwater mounting. It uses an AT-497 snorkel whip mounted atop a CRES solid steel mast 20 feet long. The antenna is for general use on submarines.

INSTALLATION: Shipboard (submarine).

ASSOCIATED EQUIPMENT: Unknown. Equipment function - communications.

MISCELLANEOUS: This antenna is similar to and replaces Navy type 66053 whip antenna.

COGNIZANT AGENCY: U. S. Navy-57-X-2043.

STOCK NUMBER: Federal Stock Number FL5985-LOO-7504(PNSY only).

REFERENCES:

- 1) BuShips drawing REC-66004.
- 2) Summary of Antenna System Requirements for SS Submarines, NAVSHIPS 93547. New London, Conn.: Fort Trumbull, U. S. Navy Underwater Sound Laboratory, (April 26, 1960). UNCLASSIFIED.
- 3) U. S. Department of Defense Nomenclature Card.

UNCLASSIFIED

ANTENNA AT-828/SP

TYPE: Lens

not mechanically interchangeable with antenna AT-484/SPG-5.

DESCRIPTION: The antenna is a lens constructed of resin-impregnated fiberglass with silver-plated plastic cells and metallic loading elements. The lens is octagonally shaped and the overall dimensions are 110 inches high, 110 inches wide, and 31 inches deep.

COGNIZANT AGENCY: N-58-d-306.

MANUFACTURERS: Sperry Piedmont Co., procurement contracts NOrd 16770 and NOrd 17091.

INSTALLATION: Shipboard.

REFERENCES:

- 1) Manufacturing Drawing 631737.
- 2) U. S. Department of Defense Nomenclature Card.

ASSOCIATED EQUIPMENT: Radar Set AN/SPG-49 and AN/SPA-5A.

MISCELLANEOUS: This antenna is similar to but

.....

ANTENNA AT-883/SRD-13

FREQUENCY: LF, MF, and HF bands, 0.275 - 3.5 mc.

AN/SRD-13. Equipment function - communications.

TYPE: Whip.

COGNIZANT AGENCY: USN-58-ac-1887.

DESCRIPTION: The antenna is a fixed, pedestal-mounted whip. It acts as a nondirective antenna for monitoring when the receiver of AN/SRD-13 is not used with a direction-finding antenna.

MANUFACTURER: Control Electronics Company, part number 32-304, code number 95924.

REFERENCES:

- 1) Specification USCG EEE-9-58.
- 2) U. S. Department of Defense Nomenclature Card.

INSTALLATION: Shipboard.

ASSOCIATED EQUIPMENT: Direction Finder Set

.....

ANTENNA AT-894/URM-117

FREQUENCY: VHF band, 162.25 - 173.50 mc.

COGNIZANT AGENCY: U. S. Navy, BuAer.

TYPE: Whip.

MANUFACTURER: Jowil Electronics, Inc., part number AL-B-17166, order N600(A)46311.

DESCRIPTION: The antenna contains a spring at the base to allow for whip action. It is mounted by a UG-260/U plug to the output of a signal generator.

REFERENCES:

- 1) Government Specification MIL-G-19660, Amendment 1.
- 2) Request for Nomenclature Sheet.

ASSOCIATED EQUIPMENT: Signal Generator SG-344/URM-117. Equipment function - test.

.....

ANTENNA AT-924/SR

FREQUENCY: HF, VHF and UHF bands, 15 - 600 mc.

ASSOCIATED EQUIPMENT: AM/SRA-17.

TYPE: Probably a whip.

COGNIZANT AGENCY: N-59-Y-2254 (Navy).

DESCRIPTION: Antenna AT-924/SR is the same as Antenna AT-252/SR without the 10 by 10-inch mounting. The mounting for Antenna AT-924/SR is a part of the housing of the TN-334/SRA-17 r-f tuner.

MANUFACTURER: Polytronic Research, Inc., contracts NObsr-75149 and NObsr-75177.

REFERENCE:

- U. S. Department of Defense Nomenclature Card.

INSTALLATION: Shipboard.

.....

UNCLASSIFIED

ANTENNA AT-946()/SPX-9

FREQUENCY: SHF band, 9280 - 9320 mc.

TYPE: Corner reflector.

DESCRIPTION: Antenna AT-946()/SPX-9 is a corner-reflector antenna which mounts to an associated waveguide feed which in turn is mounted to the ships mast. The antenna is protected by a plastic radome.

BEAM DATA:
Polarization - Horizontal and vertical.

INSTALLATION: Shipboard.

ASSOCIATED EQUIPMENT: AN/SPX-9(). Equipment function - IFF.

COGNIZANT AGENCY: WL-59-2294.

MANUFACTURER: Hazeltine Electronic Div., contract AFL9(604)-2033.

REFERENCE:
U. S. Department of Defense Nomenclature Card

.....

ANTENNA AT-948/U

FREQUENCY: UHF band, 400 - 500 mc.

TYPE: Collinear array of dipoles.

DESCRIPTION: Antenna AT-948/U is a vertical collinear array of dipoles enclosed in a fiberglass cylinder 4 feet long by 5 inches in diameter. Apparently some provision is also made for zenith coverage. The antenna is fed by RG-17/U cable. The BuShips testing laboratory indicates that the antenna is suitable for shipboard use under all weather conditions including wind and ice.

BEAM DATA:

Beam type-Approximately omnidirectional in azimuth.
Half-power beamwidth - Vertical 20° to 40°.
Polarization - Vertical.

INSTALLATION: Ground or shipboard.

COGNIZANT AGENCY: N-60-Q-108.

MANUFACTURER: Chu Associates.

REFERENCE:
U. S. Department of Defense Nomenclature Card.

.....

ANTENNA AT-5002/SRC-501

TYPE: Whip.

DESCRIPTION: The antenna consists of a telescoping whip approximately 19 feet long when fully extended and 7 feet long when collapsed.

INSTALLATION: Shipboard.

ASSOCIATED EQUIPMENT: Radio Set AN/SRC-501. Equipment function - communications.

COGNIZANT AGENCY: Royal Canadian Navy (RCN-37).

MANUFACTURER: Chisholm Ryder Co.

REFERENCE: U.S. Dept. Defense Nomenclature Card.

.....

FC, see Antenna for Mark 3 and FC Radar Equipment.

.....

ANTENNA MARK III

FREQUENCY: SHF band, approximately 3025 - 3125 mc; VSWR < 1.2.

TYPE: Probably a paraboloidal reflector fed by an asymmetrical feed horn.

DESCRIPTION: The antenna consists of a reflector (probably paraboloidal) and an asymmetrical feed horn. The waveguide feeding the horn is at an angle of 22.5 degrees above the horizontal, but the mouth of the horn is vertical. Thus the top edge of the horn is longer than the bottom edge.

BEAM DATA:
Beam width - 4.9°.
Side-lobe attenuation - 28 db within 25° of peak, and 36 db near ± 70°.

ASSOCIATED EQUIPMENT: Navy Model SG-1 Radar Equipment. Equipment function - search.

MANUFACTURER: Developed by Radiation Laboratory.

REFERENCES:
1) S. J. Mason, SG-1 Mark III Antenna, Report No. 1044. Cambridge, Mass.: Radiation Laboratory, Massachusetts Institute of Technology, (Mar. 5, 1946). UNCLASSIFIED.

2) Radiation Laboratory Report No. 639.

3) Radiation Laboratory Report No. 690.

UNCLASSIFIED

ANTENNA for Mark 3 and FC Radar Equipment

FREQUENCY: UHF band, 680 - 720 mc.

TYPE: Parabolic-cylinder reflector fed by a collinear array of dipoles.

DESCRIPTION: The antenna consists of a parabolic-cylinder reflector, 6 feet by 6 feet, constructed of perforated sheet metal and fed by a horizontal collinear array of four dipoles.

BEAM DATA:

Gain - 22 db.

Half-power beamwidth - Vertical - 14°.
Horizontal - 12°.

Polarization - Horizontal.

SCAN DATA: The antenna employs horizontal lobe switching. The beam is shifted ±3° in azimuth.

INSTALLATION: Shipboard.

ASSOCIATED EQUIPMENT: Navy Models Mark 2, Mark 3 Mod O, and FC Radar Equipment. Equipment function - fire control (surface targets).

MISCELLANEOUS: The antenna described is probably Navy Model 66AAE.

MANUFACTURER: Western Electric Co.

REFERENCES:

- 1) H. T. Friis, W. D. Lewis, Radar Antennas, Bell System Technical Journal, Vol. 26, No. 2. New York, N.Y.: American Telephone and Telegraph Company. (April 1947). UNCLASSIFIED.
- 2) U. S. Navy Bureau of Ships, Antenna Data Sheets, Shipboard Antenna Details, Chapter 5, NAVSHIPS 900121(A), (Jan. 1, 1959). CONFIDENTIAL.



ANTENNA for Mark 3 Radar Equipment

FREQUENCY: UHF band, 680 - 720 mc.

TYPE: Parabolic-cylinder reflector fed by a collinear array of dipoles.

DESCRIPTION: The antenna consists of a parabolic-cylinder reflector, 3 feet high by 12 feet long. It is constructed of perforated sheet metal and is fed by a horizontal collinear array of eight dipoles.

BEAM DATA:

Gain - 22 db.

Half-power beamwidth - Vertical - 30°.
Horizontal - 6°.

Polarization - Horizontal.

SCAN DATA: The antenna employs horizontal lobe switching. The beam is shifted ±1.5° in azimuth.

INSTALLATION: Shipboard.

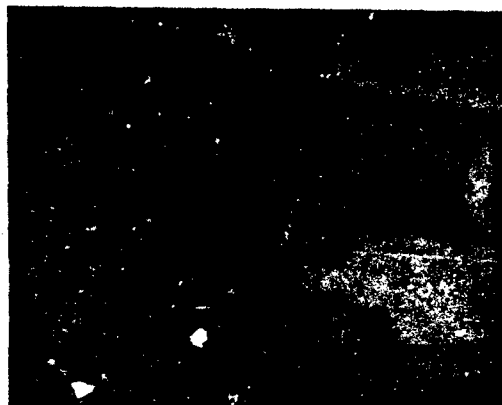
ASSOCIATED EQUIPMENT: Navy Models Mark 2 and Mark 3 Radar Equipment. Equipment function - fire control (surface targets).

MISCELLANEOUS: The antenna described is probably Navy Model 66AAF.

MANUFACTURER: Western Electric Co.

REFERENCES:

- 1) H. T. Friis, W. D. Lewis, Radar Antennas, Bell System Technical Journal, Vol. 26, No. 2. New York, N.Y.: American Telephone and Telegraph Company. (April 1947). UNCLASSIFIED.
- 2) U. S. Navy Bureau of Ships, Antenna Data Sheets, Shipboard Antenna Details, Chapter 5, NAVSHIPS 900121(A), (Jan. 1, 1959). CONFIDENTIAL.



Antenna for Mark 3 Radar Equipment



ANTENNA EQUIPMENT Mark 4, Mod O

See 66AJS.



UNCLASSIFIED

ANTENNA Mark 4, Mod 1

TYPE: Paraboloidal reflector.

Equipment function - probably fire control.

DESCRIPTION: The antenna consists of a cast paraboloidal reflector. The feed may be of the cutler type and is attached to a section of waveguide which is nutated to produce scanning.

MISCELLANEOUS: See 66AKU.

REFERENCE:

U. S. Navy Bureau of Ordnance, Maintenance Manual for Radar Equipment Mark 34 Mods 2, 6, and 16, NAVORD OD 7686, (April 21, 1953).
UNCLASSIFIED.

ASSOCIATED EQUIPMENT: Radar Equipment Mark 34, Mod 2, Mark 34, Mod 6, and Mark 4, Mod 16.



ANTENNA EQUIPMENT Mark 5, Mod 0

See 66AMK

ANTENNA Mark 5, Mod 2

See 66AND.



ANTENNA Mark 6 Corner Reflector

FREQUENCY: VHF band, 100 - 150 mc.

immaterial if they have a clear view. However, both should be mounted at the same height so that target bearing information will not be confused by the different signal levels encountered at different heights. The antennas should be mounted as high as possible.

TYPE: Corner reflector.

DESCRIPTION: The antenna consists of a corner reflector, which is constructed from vertical rods, fed by a dipole. The dipole elements are made from sheet aluminum alloy tapered to increase the bandwidth and formed to increase their longitudinal strength. The elements are supported at the center by stud extensions of the balun and also by a bracket and insulator at a fairly low impedance point. With the exception of the UG-352/U connector, the antenna is constructed of aluminum alloy with stainless steel fastenings. The insulating material is a fiberglass-base melamine plastic. Neoprene gaskets are used at every opening for waterproofing. RG-17/U or RG-18/U cable, fitted with a UG-154/U connector, is used to feed the dipole. The antenna is 86-1/4 inches wide, 71-7/8 inches high, and 42-3/4 inches deep.

ASSOCIATED EQUIPMENT: Receivers R-728A and Nema-Clarke Model 1302.

REFERENCES:

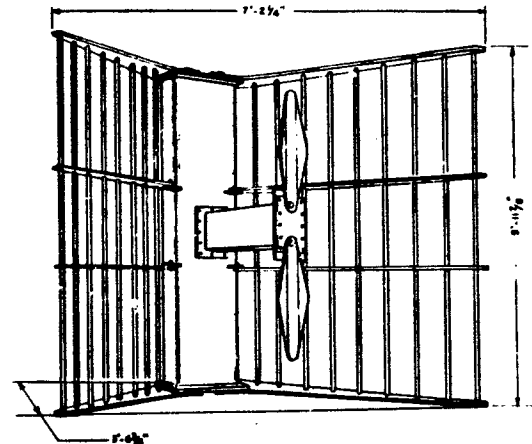
- 1) U. S. Navy Bureau of Ships, Antenna Data Sheets, Shipboard Antenna Details Chapter 5, NAVSHIPS 900121(A), (Jan. 1, 1959).
CONFIDENTIAL.
- 2) NRL Drawing Number 5436MK-VI.

BEAM DATA:

Half-power beamwidth - Horizontal - 40°.
Polarization - Linear, parallel to the axis of the dipole.

TUNING/MATCHING DEVICES: A balun is housed in the dipole support structure.

INSTALLATION: Shipboard. The antennas were designed to be mounted near the bow on the superstructure where there is a clear view forward and to the sides. It is recommended that the antennas be mounted, one on each side of the ship's superstructure or mast, with the axes of the dipole supports turned outward approximately 20° from the ship's centerline. Horizontal separation between the antennas is



Mark 6 Corner Reflector



UNCLASSIFIED

ANTENNA Mark 6, Mod 0

See 66AKY.

ANTENNA Mark 17, Mod 0

See 66AFF.

.....

ANTENNA Mark 18, Mod 0

TYPE: Dipole array.

Mod 1 and Fire Control Radar Mark 25, Mod 2.
Equipment function - IFF and fire control.

DESCRIPTION: The antenna consists of three vertical dipoles and three vertical reflectors. The antenna utilizes lobe switching to provide identification information.

COGNIZANT AGENCY: U. S. Navy.

REFERENCE:
U. S. Navy Request for Nomenclature Sheets.

ASSOCIATED EQUIPMENT: Radar Equipment Mark 32,

.....

ANTENNA for Mark 19 Radar Equipment

FREQUENCY: UHF band, 300 mc.

- 1) H. T. Friis, W. D. Lewis, Radar Antennas, Bell System Technical Journal, Vol. 26, No. 2. New York, N.Y.: American Telephone and Telegraph Company. (Apr. 1947). UNCLASSIFIED.
- 2) Private Correspondence.

TYPE: Paraboloidal reflector with a dipole feed.

DESCRIPTION: The antenna consists of a 24-inch spun steel paraboloidal reflector fed by a spinning half dipole.

BEAM DATA:

Gain - 21 db.
Half-power beamwidth - Vertical - 11°. Horizontal - 11°.
Side-lobe attenuation - 17 db.

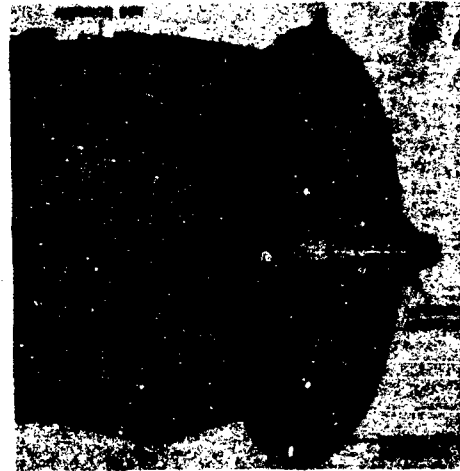
SCAN DATA: The antenna has conical scanning with a beam shift of 8.5° and a scan rate of 30 cycles per second. It also rotates in azimuth and tilts in elevation with the Mark 49 Antiaircraft Gun Director on which it is mounted.

INSTALLATION: Shipboard.

ASSOCIATED EQUIPMENT: Navy Model Mark 19 Radar Equipment. Equipment function - fire control.

MANUFACTURER: Western Electric Co.

REFERENCES:



ANTENNA for Mark 19 Radar Equipment

.....

RADAR ANTENNA Mark 21 Mod 1, Unit 1A

See Antenna Group for Radar Equipment Mark 25 Mod 6A.

RADAR ANTENNA Mark 22 Mod 0, Unit 1D

See Antenna Group for Radar Equipment Mark 25 Mod 6A.

.....

UNCLASSIFIED

RADAR ANTENNA Mark 23 Mod 0, Unit 1G

See Antenna Group for Radar Equipment Mark 25 Mod 6A.

.....

ANTENNA GROUP for Radar Equipment Mark 25 Mod 6A

MAJOR COMPONENTS: Radar Antenna Mark 21 Mod 1, Unit 1A; Radar Antenna Mark 22 Mod 0, Unit 1D; and Radar Antenna Mark 23 Mod 0, Unit 1G.

FREQUENCY:

Radar Antenna	SF Band
Mark 21 Mod 1, Unit 1A	8500 - 9600 mc
Mark 22 Mod 0, Unit 1D	9200 - 9400 mc
Mark 23 Mod 0, Unit 1G	8500 - 9600 mc

TYPE:

Radar Antenna	Type
Mark 21 Mod 1, Unit 1A...	nutating horn
Mark 22 Mod 0, Unit 1D...	metal-plate lens
Mark 23 Mod 0, Unit 1G...	paraboloidal reflector

DESCRIPTION: Radar Equipment Mark 25 Mod 6A is a missile-guidance and gunfire-control radar system. It consists of two essentially self-contained transmission systems: a primary radar and a capture radar. The primary radar tracks the target and guides the beam-riding missile towards it; the capture radar guides the missile into the primary radar beam at the beginning of its flight.

A. Radar Antenna Mark 21 Mod 1, Unit 1A- This horn antenna radiates the primary beam which is focused by the lens antenna Mark 22 Mod 0, Unit 1D. The horn has a nutating pattern which can be controlled to produce either conical scanning or spiral scanning. A housing with a dielectric front cover completely encloses the antenna and the equipment which produces the nutating movement.

B. Radar Antenna Mark 22 Mod 0, Unit 1D- This antenna is a stepped or zoned metal-plate lens. It is 7-1/2 feet in diameter and is mounted in front of the horn antenna. It focuses the energy radiated by the horn into a narrow beam.

C. Radar Antenna Mark 23 Mod 0, Unit 1G- This antenna is a paraboloidal reflector, 18 inches in diameter. It is fed by a stationary

feed (probably a waveguide horn) near the focal point of the reflector. The reflector is set at an angle with respect to the feed and is rotated to produce conical scanning. The antenna produces the capture beam which illuminates the missile during the early part of its flight. It is enclosed by a radome of dielectric material and is mounted at the side of the metal-plate lens.

The three antennas described are mounted on a metal platform which has the nomenclature Gun Director Mark 37.

BEAM DATA:

Gain - 39 db for primary beam, 20 db for capture beam. Half-power beamwidth - E and H planes - 1° for primary beam, 5° for capture beam. Side-lobe attenuation - 25 db for primary beam. Beam type - Pencil (both beams). Polarization - Vertical (both beams).

SCAN DATA:

Primary beam - conical scanning at 30 cycles per second; spiral scanning, 14 minutes to 3 degrees at 2.4 cycles per second. Capture beam - conical scanning, adjustable between 0° and 3°, at 30 cycles per second.

INSTALLATION: Ground or shipboard.

ASSOCIATED EQUIPMENT: Radar Equipment Mark 25 Mod 6A. Equipment function - search, air; fire control; and guidance, beamrider.

COGNIZANT AGENCY: U. S. Navy.

MANUFACTURERS: Reeves Instrument Corporation.

REFERENCE:

U. S. Navy, Bureau of Naval Weapons, Radar Equipment Mark 25, Model 6A, Description, Operation and Maintenance Instructions, OD9381, (July 1954). UNCLASSIFIED.

.....

ANTENNA KIT MK-89/URN-5

FREQUENCY: MF band, 0.2 - 0.8 mc.

TYPE: Single-wire flat-top antenna.

DESCRIPTION: The antenna kit contains the equipment necessary to construct a flat-top antenna with a single-wire flat top and a vertical down-lead between 15 and 50 feet high. The kit does not include supporting masts.

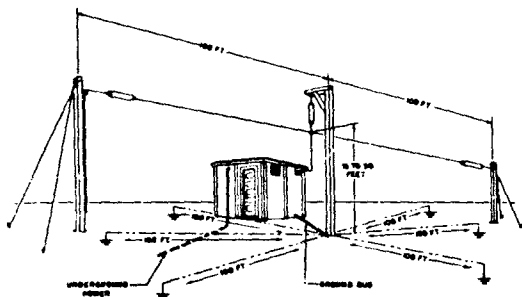
BEAM DATA:

Beam type - Approximately omnidirectional in azimuth. Polarization - Primarily vertical.

INSTALLATION: Ground or shipboard.

ASSOCIATED EQUIPMENT: Radio Beacon AN/URN-5. Equipment function - navigation, surface reference; and communications.

UNCLASSIFIED



MK-89/URN-5

MANUFACTURER: Gates Radio Co.

STOCK NUMBERS: U. S. Navy F17-W-350001-108 and Air Force 1700-015088405.

REFERENCES:

- 1) U. S. Air Force and Bureau of Ships, Radio Beacon Communication Set AN/URN-5, Handbook Operation and Service Instructions with Parts Lists, TO 31R4-2URN5-11 and NAVSHIPS 91766, (Mar. 30, 1955). UNCLASSIFIED.
- 2) Department of the Army, Radio Beacon AN/URN-5, TM 11-5075, (April 1958). UNCLASSIFIED.

.....
ANTENNA for Navy Model MN-4

FREQUENCY: VHF band, 30 - 42 mc.

MANUFACTURER: Fred M. Link, contract NXeo-32191.

DESCRIPTION: The antenna is probably a whip weighing 2 pounds.

REFERENCES:

- 1) NAVSHIPS 95142: Instruction Book for Navy Model MN-4 Radio Transmitting and Receiving Equipment.
- 2) U. S. Navy, Navy Stock List of the Electronics Supply Office, (Feb. 1958). UNCLASSIFIED.

INSTALLATION: Ground, shipboard, and airborne.

ASSOCIATED EQUIPMENT: Navy Model MN-4 FM Radio. Transmitting and Receiving Equipment. Equipment function - communications.

COGNIZANT AGENCY: U. S. Navy, BuShips.

.....
ANTENNA KIT MX-766(SR)

MAJOR COMPONENTS:

50 feet of 7-strand No. 16AWG tinned wire, 1 Lapp No. 11896 deck insulator, 1 10-by 1-1/2-inch ground strap, and necessary hardware.

INSTALLATION: Shipboard, lifeboat.

ASSOCIATED EQUIPMENT: Radio Set AN/SRC-3(). Equipment function - communications.

FREQUENCY: MF band, 0.5 mc.

COGNIZANT AGENCY: PEA-189. (PEA is now SEA: U. S. Army Signal Engineering Agency, Arlington Hall, Virginia.)

TYPE: Half rhombic.

REFERENCE:

U. S. Department of Defense Nomenclature Card.

DESCRIPTION: The kit contains the material necessary to construct an antenna on a lifeboat. It is used to provide communication with rescue vessels.

.....
ANTENNA GROUP OA-553/URN-3

MAJOR COMPONENTS: 1 AS-677/URN-3 antenna, 1 AB-346/URN-3 antenna base, 1 CW-320/URN-3 radome, 1 C-1322/URN-3 antenna control, and 1 SA-469/U Motor Starter.

inders containing parasitic elements. The central array is a stack of seven biconical dipoles mounted within a supporting fiberglass cylinder. The cylinder is approximately 4 inches in diameter and 48 inches long. The array is stationary and is at the center of two concentric rotating cylinders. Each of these cylinders contains parasitic reflector wires. The inner cylinder, which is approximately 5 inches in diameter, contains one reflecting element. The outer cylinder, which is approximately 41 inches in diameter, contains nine equally spaced reflecting ele-

FREQUENCY: UHF band, 962 - 1024 mc when used for transmitting and 1025 - 1087 mc when used for receiving.

TYPE: Amplitude-modulating antenna.

DESCRIPTION: Antenna AS-677/URN-3 is an amplitude-modulating antenna consisting of a central radiating array surrounded by two cyl-

UNCLASSIFIED

ments. The two cylinders are held rigidly together and rotate as a unit at 15 revolutions per second. This rotation produces simultaneous amplitude modulations of 15 cycles per second and 135 cycles per second. The revolving cylinders are protected by a stationary fiberglass cover.

BEAM DATA:

Beam type - Rotating scalloped cardioid.
Polarization - Vertical.

INSTALLATION: Shipboard.

ASSOCIATED EQUIPMENT: Radio Set AN/URN-3. Equipment function - navigation, surface reference.

COGNIZANT AGENCY: Navy, code 822.

MANUFACTURERS: Federal Telephone and Radio Corporation, contract NObsr 49248; and Federal Telecommunication Laboratories, contract NObsr 57103.

STOCK NUMBERS:

OA-553/URN-3...Navy Fl6-A-64151-1050-2
AS-677/URN-3...Navy Fl6-A-52014-4638-2
Federal Stock Number 5985-549-0367 (without spares)
Federal Stock Number 5985-665-2658 (with spares)

REFERENCES:

- 1) U. S. Navy Bureau of Ships, Instruction Book for Radio Set AN/URN-3, Associated Antenna Groups and Accessories, NAVSHIPS 92348(A), (June 8, 1955). UNCLASSIFIED.
- 2) CMTL Drawings A-9151512-2, D-2152670 and A-9151532B/M.
- 3) BuShips Specification MIL-R-15223B.
- 4) NAVSHIPS 92139.



ANTENNA GROUP OA-554/URN-3

MAJOR COMPONENTS: 1 AS-678/URN-3 antenna, 1 AB-346/URN-3 antenna base, 1 CW-320/URN-3 radome, and 1 C-1322/URN-3 antenna control.

FREQUENCY: UHF band, 1088 - 1150-mc when used for receiving and 1151 - 1213 mc when used for transmitting.

TYPE: Amplitude-modulating antenna.

DESCRIPTION: Antenna AS-678/URN-3 is an amplitude-modulating antenna consisting of a central radiating array surrounded by two cylinders containing parasitic elements. The central array is a stack of seven biconical dipoles mounted within a supporting fiberglass cylinder. The cylinder is approximately 4 inches in diameter and 48 inches long. The array is stationary and is at the center of two concentric rotating cylinders. Each of these cylinders contains parasitic reflector wires. The inner cylinder, which is approximately 5 inches in diameter, contains one reflecting element. The outer cylinder, which is approximately 35 inches in diameter, contains nine equally spaced reflecting elements. The two cylinders are held rigidly together and rotate as a unit at 15 revolutions per second. This rotation produces simultaneous amplitude modulations of 15 cycles per second and 135 cycles per second. The revolving cylinders are protected by a stationary fiberglass cover.

BEAM DATA:

Beam type - Rotating scalloped cardioid.
Polarization - Vertical.

INSTALLATION: Shipboard.

ASSOCIATED EQUIPMENT: Radio Set AN/URN-3. Equipment function - navigation, surface reference.

COGNIZANT AGENCY: Navy, code 822.

MANUFACTURER: Federal Telephone and Radio Corp. contract NObsr 49248, and Federal Telecommunications Laboratories, contract NObsr 57103.

STOCK NUMBERS:

OA-554/URN-3...Navy Fl6-A-64151-1051-2
AS-678/URN-3...Navy Fl6-A-52016-1409-2
Federal Stock Number 5985-549-0369 (without spares)
Federal Stock Number 5985-665-2661 (with spares)

REFERENCES:

- 1) U. S. Navy Bureau of Ships, Instruction Book for Radio Set AN/URN-3, Associated Antenna Groups and Accessories, NAVSHIPS 92348(A), (June 8, 1955). UNCLASSIFIED.
- 2) CMTL Drawings A-9151512-1, D-2152670 and A-9151532B/M.
- 3) BuShips Specification MIL-R-5223B.
- 4) NAVSHIPS 92139.



ANTENNA GROUP OA-878(*)/URN-3

MAJOR COMPONENTS: AS-777/URN-3, Antenna Base AB-479/URN-3, Antenna Control C-1700/URN-3,

Antenna Control C-1992(*)/URN-3, Radome CW-320/URN-3.

UNCLASSIFIED

FREQUENCY: UHF band, 961.5 - 1,087.5 mc.

TYPE: Amplitude-modulating antenna.

DESCRIPTION:

A. Reflector: There are two reflectors which are part of this antenna. One is a single parasitic element imbedded in a fiberglass cylinder approximately 5 inches in diameter. The other consists of 9 equally spaced parasitic elements imbedded in a fiberglass cylinder about 41 inches in diameter. The two cylinders are rigidly connected and concentrically mounted and rotate at 900 revolutions per minute. The result is a 15-cycle-per-second amplitude modulation of the signal from the inner reflector and a 135-cycle-per-second modulation from the outer reflector. An induction motor and a tachometer drive the rotating assembly. A magnetic-amplifier speed control in Antenna Control C-1700/URN-3 keeps the antenna-rotation speed constant at the speed essential to the maintenance of proper output frequencies.

B. Feed: The primary radiation is a vertical stack of seven biconical dipoles, each 4-3/8 inches long and 3 inches in diameter, enclosed in a fiberglass cylinder approximately 4 inches in diameter and 48 inches long. The input impedance is 50 ohms.

BEAM DATA:

Beam type: Rotating scalloped cardioid.
Polarization: Vertical

INSTALLATION: Shipboard

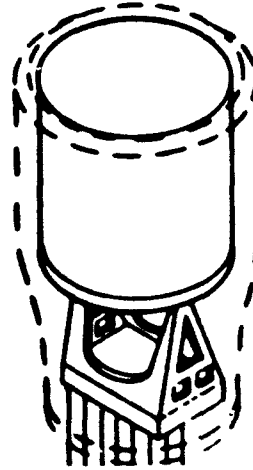
ASSOCIATED EQUIPMENT: Radio Set AN/URN-3. Equipment function - navigation, surface reference; both bearing and distance information is provided to aircraft when this e-

quipment is used in conjunction with airborne Radio Set AN/ARN-21.

MISCELLANEOUS: OA-878(*)URN-3 is similar to Antenna Group OA-553/URN-3. OA-878A/URN-3 differs from OA-878/URN-3 only in the replacement of Antenna Control C-1992/URN-3 by C-1992A/URN-3. The only difference in these two antenna controls is the arrangement of the magnetic amplifiers - a difference due merely to their being manufactured by two different companies.

COGNIZANT AGENCY: U. S. Navy, BuShips.

MANUFACTURERS: Federal Telephone and Radio Company, and Federal Telecommunication Labo-



AS-777/URN-3 of Antenna Group OA-878(*)/URN-3

DIMENSIONS OF OA-878(*)/URN-3

Component	Height (inches)	Width (inches)	Depth (inches)	Weight* (pounds)
AS-777/URN-3 (with base AB-479/URN-3)	95-13/16	44-7/8		750
CW-320/URN-3	100	76-23/32		250
C-1992(*)/URN-3	56-1/2	38-1/4	12-1/2	733
C-1700/URN-3	49-1/8	29-1/4	11-13/16	450

* The total weight of the assembly is 2183 pounds.

SHIPPING DATA FOR OA-878(*)/URN-3

Component	Height (inches)	Width (inches)	Depth (inches)	Volume (cu. ft.)	Weight (pounds)
AS-777/URN-3 (with AB-479/URN-3)	108	59	59	220	1600
CW-320/URN-3	116	85	87	440	1540
C-1992(*)/URN-3	25	52	67	51	1110
C-1700/URN-3	22	38	59	28	653

UNCLASSIFIED

ratories. Procurement contract NObsr-57103.

STOCK NUMBERS:

- OA-878/URN-3...Federal Stock Number 5820-284-8271 and Navy Fl6-A-064151-1061.
- OA-878/URN-3(with spares)...Federal Stock Number 5985-518-1736
- OA-878A/URN-3...Federal Stock Number 5985-569-9705
- AS-777/URN-3...Navy Fl6-A-052015-2795

- 1) U. S. Navy Bureau of Ships, Instruction Book for Radio Set AN/URN-3, Associated Antenna Groups and Accessories, NAVSHIPS 92348(A), (June 8, 1955). UNCLASSIFIED.
- 2) Military Specifications Ships R-1402 and MIL-S-125.
- 3) U. S. Department of Defense Nomenclature Cards for OA-878/URN-3, OA-878A/URN-3, AS-777/URN-3.

REFERENCES:



ANTENNA GROUP OA-1545/SRN-6

MAJOR COMPONENTS: AM-1718/SRN-6, AM-1719/SRN-6, AB-540/SRN-6, AS-889/SRN-6, CW-441/SRN-6.

The antenna is motor driven and pedestal mounted.

FREQUENCY: UHF band, 962 - 1024 mc.

BEAM DATA:

Beam type - Rotating scalloped cardioid.
Polarization - Vertical.

TYPE: Amplitude-modulating antenna.

INSTALLATION: Shipboard.

DESCRIPTION: This antenna consists of a vertical stack of biconical dipoles that remain stationary with respect to the antenna mount and two concentrically mounted parasitic arrays, which rotate in unison about the dipoles at a rate of 15 cycles per second. The inner parasitic array, which amplitude modulates the radiation pattern at 15 cycles per second, consists of one parasitic element embedded in a dielectric cylinder. The outer parasitic array, which amplitude modulates the radiation pattern at 135 cycles per second, consists of nine parasitic elements embedded in a dielectric cylinder. The parasitic arrays mount concentrically on a common hub, which contains pins of soft iron to generate pulses. True north can be identified at the receiving equipment since the transmitting antenna is positioned so that a coded pulse train is generated as the major peak of the cardioid radiation pattern is pointing at true north.

ASSOCIATED EQUIPMENT: Radio Set AN/SRN-6.

Equipment function - navigation, surface reference.

MISCELLANEOUS: The AS-889/SRN-6 antenna is probably the same as the AS-891/URN and similar to the AS-89C/SRN-6 and the AS-892/URN except for frequency range. The antenna is similar to AS-677/URN-3, AS-678/URN-3, and AS-777/URN-3 except for the number of dipoles.

COGNIZANT AGENCY: USN-4CS.

MANUFACTURER: Federal Telephone and Radio Co., part number NUS 3745, drawing B2061556-2, procurement contract NObsr-71385.

REFERENCE:
U. S. Department of Defense Nomenclature Card.



ANTENNA GROUP OA-1546/SRN-6

MAJOR COMPONENTS: AS-890/SRN-6, AM-1718/SRN-6, AM-1719/SRN-6, AB-540/SRN-6, and CW-441/SRN-6.

tric cylinder. The parasitic arrays mount concentrically on a common hub, which contains pins of soft iron to generate pulses. True north can be identified at the receiving equipment since the transmitting antenna is positioned so that a coded pulse train is generated as the major peak of the cardioid radiation pattern is pointing at true north. The antenna is motor driven and pedestal mounted.

FREQUENCY: UHF band, 1151 - 1213 mc.

BEAM DATA:

Beam type - Rotating scalloped cardioid.
Polarization - Vertical.

TYPE: Amplitude-modulating antenna.

INSTALLATION: Shipboard.

DESCRIPTION: This antenna consists of a vertical stack of biconical dipoles that remain stationary with respect to the antenna mount and two concentrically mounted parasitic arrays, which rotate in unison about the dipoles at a rate of 15 cycles per second. The inner parasitic array, which amplitude modulates the radiation pattern at 15 cycles per second, consists of one parasitic element embedded in a dielectric cylinder. The outer parasitic array, which amplitude modulates the radiation pattern at 135 cycles per second, consists of nine parasitic elements embedded in a dielectric

ASSOCIATED EQUIPMENT: Radio Set AN/SRN-6.
Equipment function - navigation, surface reference.

UNCLASSIFIED

MISCELLANEOUS: This antenna is probably the same as AS-892/URN. It is similar to AS-889/SRN-6 and AS-891/URN except for frequency range and is similar to AS-677/URN-3, AS-678/URN-3, and AS-777/URN-3 except for the number of dipoles.

MANUFACTURERS: Federal Telephone and Radio Co., part number NUS 3523, drawing B2061556-1 procurement contract NObsr-71385.

REFERENCE:
U. S. Department of Defense Nomenclature Card.

COGNIZANT AGENCY: U. S. Navy, USN-409.

ANTENNA GROUP OA-1547/URN

MAJOR COMPONENTS: AS-891/URN, AB-541/URN, and AM-1720/URN.

BEAM DATA:
Beam type - Rotating scalloped cardioid.
Polarization - Vertical.

FREQUENCY: UHF band, 962 - 1024 mc.

INSTALLATION: Ground or shipboard.

TYPE: Amplitude-modulating antenna.

ASSOCIATED EQUIPMENT: Radio Set AN/GRN-9 & 9A.
Equipment function - navigation, surface reference.

DESCRIPTION: This antenna consists of a vertical stack of biconical dipoles that remain stationary with respect to the antenna mount and two concentrically mounted parasitic arrays, which rotate in unison about the dipoles at a rate of 15 cycles per second. The inner parasitic array, which amplitude modulates the radiation pattern at 15 cycles per second, consists of one parasitic element embedded in a dielectric cylinder. The outer parasitic array, which amplitude modulates the radiation pattern at 135 cycles per second, consists of nine parasitic elements embedded in a dielectric cylinder. The parasitic arrays mount concentrically on a common hub, which contains pins of soft iron to generate pulses. True north can be identified at the receiving equipment since the transmitting antenna is positioned so that a coded pulse train is generated as the major peak of the cardioid radiation pattern is pointing at true north. The antenna is motor driven and pedestal mounted.

MISCELLANEOUS: AS-891/URN is probably the same as AS-889/SRN-6. It is similar to AS-890/SRN-6 and AS-892/URN except for frequency range and is similar to AS-677/URN-3, AS-678/URN-3, and AS-777/URN-3 except for the number of dipoles.

COGNIZANT AGENCY: U. S. Navy, USN-416.

MANUFACTURERS: Federal Telephone and Radio Corp., procurement contract NObsr-71385.

REFERENCES:
1) Federal Telephone and Radio Corporation outline drawing B2061557-1.
2) U. S. Department of Defense Nomenclature Card.

ANTENNA GROUP OA-1548/URN

MAJOR COMPONENTS: AS-892/URN, AB-541/URN, and AM-1720/URN.

north can be identified at the receiving equipment since the transmitting antenna is positioned so that a coded pulse train is generated as the major peak of the cardioid radiation pattern is pointing at true north. The antenna is motor driven and pedestal mounted.

FREQUENCY: UHF band, 1151 - 1213 mc.

BEAM DATA:
Beam type - Rotating scalloped cardioid.
Polarization - Vertical.

TYPE: Amplitude-modulating antenna.

INSTALLATION: Ground or shipboard.

DESCRIPTION: This antenna consists of a vertical stack of biconical dipoles that remain stationary with respect to the antenna mount and two concentrically mounted parasitic arrays, which rotate in unison about the dipoles at a rate of 15 cycles per second. The inner parasitic array, which amplitude modulates the radiation pattern at 15 cycles per second, consists of one parasitic element embedded in a dielectric cylinder. The outer parasitic array, which amplitude modulates the radiation pattern at 135 cycles per second, consists of nine parasitic elements embedded in a dielectric cylinder. The parasitic arrays mount concentrically on a common hub, which contains pins of soft iron to generate pulses. True

ASSOCIATED EQUIPMENT: Radio Set AN/GRN-9.
Equipment function - navigation, surface reference.

MISCELLANEOUS: AS-892/URN is probably the same as AS-890/SRN-6. It is similar to AS-889/SRN-6 and AS-891/URN except for frequency and is similar to AS-677/URN-3, AS-678/URN-3, and AS-777/URN-3 except for number of dipoles.

UNCLASSIFIED

COGNIZANT AGENCY: U. S. Navy.

REFERENCES:

MANUFACTURERS: Federal Telephone and Radio Corp., procurement contract NObSr 71385.

1) Federal Telephone and Radio Corporation outline drawing B2061557-2.

STOCK NUMBER: AS-892/URN ... Federal Stock Number 5825-626-8932.

2) U. S. Department of Defense Nomenclature Card.

.....

ANTENNA GROUP OA-2515/BPS-10

Cancelled 7 January 1960.

.....

ANTENNA GROUP OA-2653/UPS-1

DESCRIPTION: The antenna consists of three reflector sections plus a horn. Provisions for rotation of the antenna are included.

COGNIZANT AGENCY: N-60-T-218 (Navy).

INSTALLATION: Shipboard.

MANUFACTURER: Radio Corporation of America, procurement contract NObSr-75577.

ASSOCIATED EQUIPMENT: Radar Set AN/UPS-1. Equipment function - search, air.

REFERENCE:

U. S. Department of Defense Nomenclature Card.

.....

LENS RF-60/SPG-49

TYPE: Metal-plate lens.

ASSOCIATED EQUIPMENT: Radar Set AN/SPG-49. Equipment function - fire control.

DESCRIPTION: RF-60/SPG-49 is a dual-focusing lens made of aluminum with outside edges painted gray. It has a fiberglass radome. The overall dimensions are 107-9/16 inches high by 107-9/16 inches wide by 9 inches thick. The lens is octagonal and is mounted by eighty 5/16-inch-diameter bolts spaced evenly around the circumference.

COGNIZANT AGENCY: U. S. Navy 5-352.

BEAM DATA: Lens is designed to focus both horizontally and vertically polarized waves.

MANUFACTURER: Sperry Gyroscope Co., part number 616792, order NOrd-15924.

INSTALLATION: Shipboard.

REFERENCES:

1) Government Bureau of Ordnance Specification MIL-R-18669.

2) U. S. Department of Defense Nomenclature Card.

.....

UNCLASSIFIED

ANTENNA MONITOR JUNCTION BOX 62ABJ

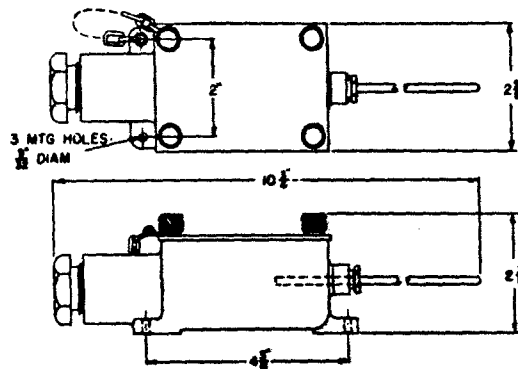
FREQUENCY: VHF and UHF bands, 90 - 850 mc.

2) NAVSHIP 900,342(A).

TYPE: Rod.

3) BuShips drawing RE 100F 167.

DESCRIPTION: The antenna monitor junction box consists of a small watertight box containing a diode detector and a load resistor, and a small Duraluminum rod antenna projecting through the top. The assembly weighs 2 pounds.



Antenna Monitor Junction Box 62ABJ

BEAM DATA:

Polarization - Horizontal or vertical depending upon mounting position.

INSTALLATION: Shipboard.

ASSOCIATED EQUIPMENT: Navy Model TDY and TDY-1 Countermeasures Jamming Equipment. Equipment function - test.

STOCK NUMBER: U. S. Navy F17-T-29379-5781.

REFERENCES:

- 1) U. S. Navy Bureau of Ships, Antenna Data Sheets, Shipboard Antenna Details, Chapter 5, NAVSHIPS 900121(A), (Jan. 1, 1959). CONFIDENTIAL.



ANTENNA 66AAA

FREQUENCY: UHF band, 500 - 700 mc.

5, NAVSHIPS 900121(A), (Jan. 1, 1959). CONFIDENTIAL.

TYPE: Parabolic-cylinder reflector fed by a collinear array of dipoles.

DESCRIPTION: The antenna consists of a parabolic-cylinder reflector, 6 feet by 6 feet, constructed of perforated sheet metal and fed by a horizontal collinear array of four dipoles.



Antenna 66AAA

BEAM DATA:

Gain - 22 db.
Half-power beamwidth - Vertical - 14°. Horizontal - 12°.

Polarization - Horizontal.

INSTALLATION: Shipboard.

ASSOCIATED EQUIPMENT: Navy Model Mark 1 Radar Equipment. Equipment function - fire control (surface targets).

MANUFACTURER: Western Electric Co.

REFERENCES:

- 1) H. T. Pries, W. D. Lewis, Radar Antennas, Bell System Technical Journal, Vol. 26, No. 2, New York, N.Y.: American Telephone and Telegraph Company. (April 1947). UNCLASSIFIED.
- 2) U. S. Navy Bureau of Ships, Antenna Data Sheets, Shipboard Antenna Details, Chapter



UNCLASSIFIED

ANTENNA 66AAB, 66AAC, 66AAD

ASSOCIATED EQUIPMENT: Navy Model BE and BF Equipment. Equipment function - IPF.

Sheets, Shipboard Antenna Details, Chapter 5, NAVSHIPS 900121(A), (Jan. 1, 1959). CONFIDENTIAL.

REFERENCE:
U. S. Navy Bureau of Ships, Antenna Data

.....

ANTENNA 66AAE

See Antenna for Mark 3 and FC Radar Equipment.

ANTENNA 66AAF

See Antenna for Mark 3 Radar Set.

.....

ANTENNA 66AAG

ASSOCIATED EQUIPMENT: Navy Models SD and SD-a Radar Equipment. Equipment function - search.

Sheets, Shipboard Antenna Details, Chapter 5, NAVSHIPS 900121(A), (Jan. 1, 1959). CONFIDENTIAL.

REFERENCE:
U. S. Navy Bureau of Ships, Antenna Data

.....

ANTENNA 66AAH

FREQUENCY: UHF band, 680 - 720 mc.

TYPE: Dual parabolic-cylinder reflector fed by two arrays of collinear dipoles.

DESCRIPTION: The antenna consists of a dual parabolic-cylinder reflector that is fed by two arrays of collinear dipoles. The dual reflector is made up of two parabolic cylinders constructed of perforated sheet metal and mounted one above the other so that the bottom edge of one coincides with the top edge of the other. The two sections of the reflector face the same direction. Each of the parabolic cylinders is fed by a horizontal collinear array of four dipoles. The overall dimensions of the dual reflector are 6 feet by 7 feet.

BEAM DATA:

Gain - 22.5 db.
Half-power beamwidth - Vertical - 12°. Horizontal - 12°. Polarization - Horizontal.

SCAN DATA: The antenna employs horizontal and vertical lobe switching. The beam is shifted ±3° in azimuth and in elevation.

INSTALLATION: Shipboard.

ASSOCIATED EQUIPMENT: Navy Models Mark 4 and FD Radar Equipment. Equipment function - fire control (both air and surface targets).

MANUFACTURER: Western Electric Co.



Antenna 66AAH

REFERENCES:

- 1) H. T. Friis, W. D. Lewis, Radar Antennas, Bell System Technical Journal, Vol. 26, No. 2. New York, N.Y.: American Telephone and Telegraph Company. (April 1947). UNCLASSIFIED.
- 2) U. S. Navy Bureau of Ships, Antenna Data Sheets, Shipboard Antenna Details, Chapter 5, NAVSHIPS 900121(A), (Jan. 1, 1959). CONFIDENTIAL.

UNCLASSIFIED

ANTENNA 66AAJ and 66AAK

FREQUENCY: VHF band, 175 - 225 mc.

TYPE: Mattress antenna.

DESCRIPTION: Antennas 66AAJ and 66AAK are similar antennas. The ways in which they differ are not available. Each of these antennas consists of a flat-screen reflector with 12 dipoles mounted in front of it. The overall antennas are 8-1/2 feet wide by 9 feet high by 2 feet deep. The antenna assembly bolts to the masthead by eight 13/16-inch bolts equally spaced on a 16-1/2-inch bolt circle. The dipoles are fed by coaxial cables.

BEAM DATA:

Polarization - Horizontal.

SCAN DATA: The antennas have a motor-driven rotating mechanism.

INSTALLATION: Shipboard, destroyers and larger vessels.

ASSOCIATED EQUIPMENT: Navy Model SC Radar Equipment. Equipment function - air search.

MANUFACTURER: General Electric Co., contract NOs-84613.

STOCK NUMBERS: Federal Stock Numbers F5985-249-4391 (for 66AAJ) and F5985-249-4390 (for 66AAK).

REFERENCES:

- 1) U. S. Navy, Navy Stock List of the Electronics Supply Office, (Feb. 1958). UNCLASSIFIED.
- 2) ENG 125: Preliminary Instruction Book for Navy Model SC Radar Equipment.
- 3) General Electric Drawing M-7465661.



ANTENNA 66AAM

ASSOCIATED EQUIPMENT: Navy Models BH, BI, and BI-1 Equipment. Equipment function - IFF.

Sheets, Shipboard Antenna Details, Chapter 5, NAVSHIPS 900121(A), (Jan. 1, 1959). CONFIDENTIAL.

REFERENCE:

U. S. Navy Bureau of Ships, Antenna Data



ANTENNA 66AAN

FREQUENCY: UHF band, 390 - 465 mc.

TYPE: Mattress antenna.

DESCRIPTION: The antenna consists of a flat-screen reflector with 16 dipoles. The overall dimensions are 6 feet wide by 8-1/2 feet high by 3-1/2 feet deep. It mounts on top of the Mark 37 gun direction with eight 3/4-inch bolts equally spaced on a 2-1/2-foot bolt circle.

SCAN DATA: The antenna has a motor-driven rotating and tilting mechanism.

INSTALLATION: Shipboard.

ASSOCIATED EQUIPMENT: Navy Model Mark 5 Radar Equipment. Equipment function - fire control.

MANUFACTURER: General Electric Co., part numbers ML-7350998, ML-7351065-3, ML-7351057-1, and DL-3888492.

STOCK NUMBER: Federal Stock Number N5984-369-5436.

REFERENCES:

- 1) U. S. Navy, Navy Stock List of the Electronics Supply Office, (Feb. 1958). UNCLASSIFIED.
- 2) General Electric Drawing P-7764335 rev 1.



ANTENNA 66AAP

FREQUENCY: UHF and SHF bands, 2965 - 3019 mc.

TYPE: Cut paraboloidal reflector with two waveguide horns.

DESCRIPTION: The antenna consists of a cut paraboloidal reflector, 30 inches wide by 10 inches high, fed by two waveguide horns

mounted side by side on either side of the focal point of the reflector. The reflecting surface is formed from a solid sheet of aluminum alloy. The waveguide horns are made from a manganese-bronze casting. The two horns are used so that lobe switching can be employed.

UNCLASSIFIED

BEAM DATA:

Gain - 19 db,
Half-power beamwidth - Vertical - 18°.
Horizontal - 8°.
Beam type - Fan, pointed somewhat upward in elevation.
Polarization - Horizontal.

SCAN DATA: The antenna employs lobe switching in azimuth. The lobe-switching beam separation is approximately 5° and the gain reduction at the beam crossover is less than 1 db. The antenna also has a motor-driven rotating mechanism.

INSTALLATION: Shipboard, submarine.

ASSOCIATED EQUIPMENT: Navy Model SJ Radar Equipment. Equipment function - fire control.

MANUFACTURER: Western Electric Co., part number D-150312.

STOCK NUMBER: Federal Stock Number F5985-248-4374.

REFERENCES:

- 1) H. T. Friis, W. D. Lewis, Radar Antennas, Bell System Technical Journal, Vol. 26, No. 2. New York, N.Y.: American Telephone and Telegraph Company. (April 1947). UNCLASSIFIED.
- 2) U. S. Navy, Navy Stock List of the Electronics Supply Office, (Feb. 1958). UNCLASSIFIED.

3) Western Electric Drawing ESX-748094.



Antenna 66AAP



ANTENNA 66AAQ

FREQUENCY: UHF and SHF bands, 3000 mc.

TYPE: Cut paraboloidal reflector with two waveguide horns.

DESCRIPTION: The antenna consists of a cut paraboloidal reflector, 30 inches wide by 20 inches high, fed by two waveguide horns mounted side by side on either side of the focal point of the reflector providing horizontal lobe switching. The antenna mounts on an 18-inch-diameter masthead with eight 3/4-inch bolts.

BEAM DATA:

Gain - 21 db.
Half-power beamwidth - Vertical - 12°.
Horizontal - 7.5°.
Polarization - Horizontal.

SCAN DATA: For search, the antenna rotates in azimuth through 360° at 30 revolutions per second. For fire control, it rotates in azimuth through 360° at 1 revolution per minute and employs horizontal lobe switching. The lobe-switching beam separation is approximately 5°, and the gain at the crossover point is down 1 db from the peak gain.

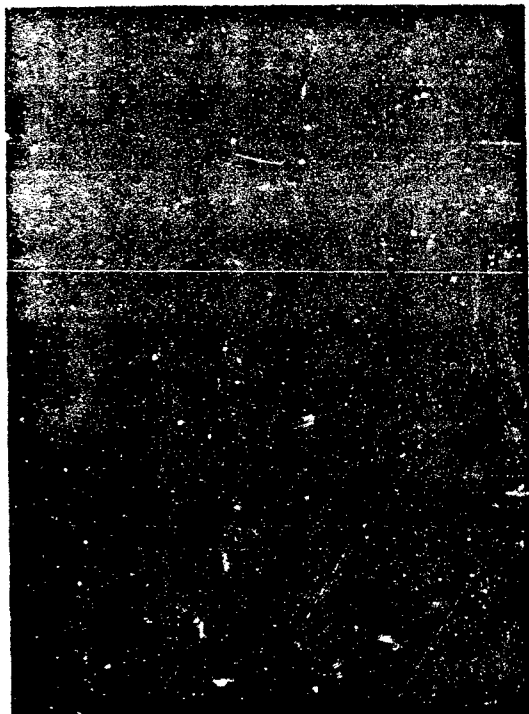
INSTALLATION: Shipboard.

ASSOCIATED EQUIPMENT: Navy Model SH Radar Equipment. Equipment function - search and fire control.

MANUFACTURER: Western Electric Co.

STOCK NUMBER: Federal Stock Number F5985-369-5478.

UNCLASSIFIED



ANTENNA 66AAQ

REFERENCES:

- 1) H. T. Friis, W. D. Lewis, Radar Antennas, Bell System Technical Journal, Vol. 26, No. 2. New York, N.Y.: American Telephone and Telegraph Company. (April 1947). UNCLASSIFIED.
- 2) U. S. Navy, Navy Stock List of the Electronics Supply Office, (Feb. 1958). UNCLASSIFIED.
- 3) Western Electric Drawing ESXX 748138.



ANTENNA 66AAR(*)

FREQUENCY: VHF band, 111, 114 and 117 mc.

TYPE: Swept-back dipole.

DESCRIPTION: The antenna is a swept-back or U-type dipole consisting of a yoke approximately 1/2 wavelength long and the three sets of dipole elements needed to cover the frequencies given above.

BEAM DATA:

Beam type - Approximately nondirectional in azimuth.

Polarization - Horizontal.

ASSOCIATED EQUIPMENT: Navy Models SD-a, SD-1, and SD-2 Radar Equipment. Equipment function - search (the antenna is probably either

a communication or an IFF antenna for this equipment).

MISCELLANEOUS: The nomenclature 66AAR(*) denotes 66AAR and 66AAR-1.

MANUFACTURER: Radio Corporation of America.

STOCK NUMBER: Federal Stock Number N5985-249-4329.

REFERENCES:

- 1) U. S. Navy, Navy Stock List of the Electronics Supply Office, (Feb. 1958). UNCLASSIFIED.
- 2) RCA Drawing W-305138 sub O.



ANTENNA 66AAS

FREQUENCY: SHF band, 3047 - 3071 mc.

TYPE: Broadside array of dielectric rods.

DESCRIPTION: The array is made up of 42 tapered polystyrene rods, each 3 feet long, arranged in 14 sections. Each section is a vertical array of 3 rods. The rods are fed by

waveguide. The overall array is 43 inches high by 126 inches wide by 82 inches deep. It mounts on top of Navy Model Mark 34 or Mark 38 Gun Director.

SCAN DATA: The antenna employs electromechanical scanning in azimuth. Thirteen rotating phase shifters cause the beam to scan.

UNCLASSIFIED

INSTALLATION: Shipboard.

ASSOCIATED EQUIPMENT: Navy Models Mark 8 Mod 0; Mark 8 Mod 1; and FH Radar Equipment. Equipment function - fire control.

MISCELLANEOUS: This antenna is called "The Polyrod Fire Control Antenna" by Bell Laboratories.

MANUFACTURER: Western Electric Co.

STOCK NUMBER: Federal Stock Number N5985-369-5520.

REFERENCES:

- 1) H. T. Friis, W. D. Lewis, Radar Antennas, Bell System Technical Journal, Vol. 26, No. 2. New York, N.Y.: American Telephone and Telegraph Company. (April 1947). UNCLASSIFIED.
- 2) U. S. Navy, Navy Stock List of the Electronics Supply Office, (Feb. 1958). UNCLASSIFIED.
- 3) Western Electric Drawing XX748093.

ANTENNA 66AAX

FREQUENCY: VHF and UHF bands, 70 - 1000 mc.

MANUFACTURER: Philco Corporation.

TYPE: Whip.

STOCK NUMBER: Federal Stock Number N5820-090-2627.

DESCRIPTION: The antenna is a chrome-molybdenum steel rod, 2 feet long and 3/8 inch in diameter. It connects to a 78-ohm, 25-foot-long coaxial cable.

REFERENCE: U. S. Navy, Navy Stock List of the Electronics Supply Office, (Feb. 1958). UNCLASSIFIED.

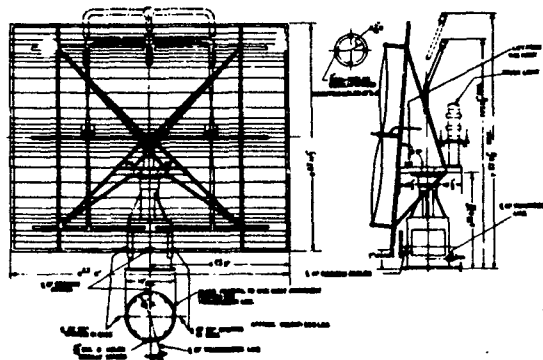
ASSOCIATED EQUIPMENT: Navy Model ARC Equipment. Equipment function - probably communications.

ANTENNA 66AAY, 66AAZ, 66ABA, 66ABB, 66ABC, 66ABD, 66ABE, and 66ABF

FREQUENCY: VHF band; 175 - 185 mc for 66AAY and 66ABC, 185 - 195 mc for 66AAZ and 66ABD, 195 - 205 mc for 66ABA and 66ABE, and 215 - 225 mc for 66ABB and 66ABF.

made up of three horizontally-mounted dipoles. The overall dimensions are 7-1/2 feet high by 8-1/2 feet wide by 2 feet deep. Antennas 66AAY, 66AAZ, 66ABA, and 66ABB are designed for use with a 5G synchro unit, B502. Antennas 66ABC, 66ABD, 66ABE, and 66ABF are designed for use with a 7G synchro unit, B504. In addition, these antennas have slightly different dipole lengths and spacing for optimum performance at their design frequency.

TYPE: Mattress antenna.



Antenna Assemblies 66AAY, 66AAZ, 66ABA, 66ABB, 66ABC, 66ABD, 66ABE, and 66ABF

DESCRIPTION: Each of these eight antennas is a mattress antenna consisting of a flat-screen reflector and six center-fed, full-wave dipoles. The flat-screen reflector is made up of horizontal copper-covered steel rods. The dipoles are mounted in front of the reflector in two vertical rows. Each row is

BEAM DATA:

Polarization - Horizontal.

SCAN DATA:

Each antenna rotates in azimuth.

TUNING/MATCHING DEVICES:

Each antenna includes a means of matching the open, two-wire, dipole feed to a coaxial cable with a 5/8-inch inner conductor and a 1-1/2-inch outer conductor.

INSTALLATION:

Shipboard, destroyers and larger vessels.

ASSOCIATED EQUIPMENT:

Navy Model SC-1 Radar Equipment. Equipment function - search.

COGNIZANT AGENCY:

U. S. Navy, BuShips.

MANUFACTURER:

General Electric Co., contracts Nos-B4613 and NKss-30836.

UNCLASSIFIED

STOCK NUMBERS: Federal Stock Numbers

66AAY.....F5985-369-5424
66AAZ.....F5985-636-3643
66ABA.....N5985-284-9069
66ABB.....F5985-369-5432
66ABD.....F5985-636-2384
66ABE.....F5985-369-5430
66ABF.....F5985-090-2643

2) U. S. Navy Bureau of Ships, Instruction Book for Navy Model SC-1, Radar Equipment and SC-1 Adaptor, NAVSHIPS 900,382, NAVSHIPS 916.8, (Aug. 11, 1945). UN-CLASSIFIED.

REFERENCES:

1) U. S. Navy, Navy Stock List of the Electronics Supply Office, (Feb. 1958). UN-CLASSIFIED.



ANTENNA 66ABG

ASSOCIATED EQUIPMENT: Navy Model EL Equipment. Equipment function - IFF.

REFERENCE:

U. S. Navy Bureau of Ships, Antenna Data Sheets, Shipboard Antenna Details, Chapter 5, NAVSHIPS 900121(A), (Jan. 1, 1959). CONFIDENTIAL.

STOCK NUMBER: Federal Stock Number N5840-314-0964.



ANTENNA 66ABH

FREQUENCY: VHF band, 177 - 187 mc.

STOCK NUMBER: Federal Stock Number F5985-254-7161.

TYPE: Mattress antenna.

REFERENCES:

DESCRIPTION: The antenna consists of a flat wire-mesh reflector with a tubular steel frame and an array of dipoles. The antenna includes provision for Mark 3 and Mark 4 IFF. The radar section connects to an RG-18/U coaxial cable and the IFF to an RG-10/U cable.

1) U. S. Navy Bureau of Ships, Antenna Data Sheets, Shipboard Antenna Details, Chapter 5, NAVSHIPS 900121(A), (Jan. 1, 1959). CONFIDENTIAL.

2) U. S. Navy, Navy Stock List of the Electronics Supply Office, (Feb. 1958). UN-CLASSIFIED.

3) General Electric Drawing W7351292.

4) ENG 189: Preliminary Instruction Book for Navy Model SK Radar Equipment, Volume II.

5) NAVSHIPS 900116.

BEAM DATA:

Gain - probably 18.6 db for radar.

Half-power beamwidth - Vertical - 17° for radar.

Horizontal - Probably 22° for radar.

Polarization - Horizontal for radar. Vertical for IFF.

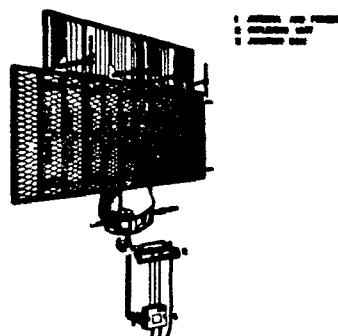
SCAN DATA: The antenna rotates in azimuth through 360° at a rate of 5 revolutions per minute.

INSTALLATION: Shipboard, CL and larger vessels.

ASSOCIATED EQUIPMENT: Navy Model SK Radar Equipment. Equipment function - search, air.

MISCELLANEOUS: The gain and horizontal beamwidth shown above are listed in Reference 1) as characteristic of the SK-2 antenna, Navy Model 66AFR, not the SK antenna, Navy Model 66ABH. However, the apertures of the two antennas indicate that the data for the SK and SK-2 antennas were erroneously entered.

MANUFACTURER: General Electric Co.



Antenna 66ABH



UNCLASSIFIED

ANTENNA 66ABJ(*)

FREQUENCY: SHF band, 3000 - 3100 mc; VSWR < 2.25.

TYPE: Cut paraboloidal reflector.

DESCRIPTION: The antenna is an aluminum cut paraboloidal reflector, 48 inches wide by 15 inches high with a focal length of 12 inches, fed by a waveguide horn with an aperture, 1-1/2 inches by 3 inches. The overall antenna is 44 inches high by 49-1/2 inches wide by 34 inches deep. The antenna has eight 13/16-inch holes on a 16-1/2-inch bolt circle for mounting. It is designed for connection to a coaxial cable.

BEAM DATA:

Gain - 23.4 db.
Half-power beamwidth - Vertical - 15°. Horizontal - 5°. Side-lobe attenuation - Vertical - 2%. Horizontal - 1%.
Polarization - Horizontal.

SCAN DATA: The antenna rotates through 360° in azimuth at a rate of either 8 or 16 revolutions per minute.

ASSOCIATED EQUIPMENT: Navy Model SG Radar Equipment uses 66ABJ and Navy Models SG-1, SG-a, SG-b, and SG-1b Radar Equipments use 66ABJ-1. Equipment function - search, surface.

MISCELLANEOUS: The nomenclature 66ABJ-(*) denotes 66ABJ and 66ABJ-1.

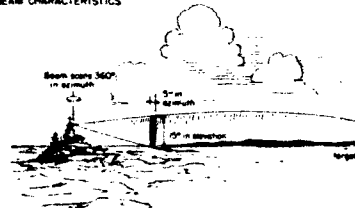
MANUFACTURER: Raytheon Mfg. Co.

STOCK NUMBERS: Federal Stock Number
66ABJ without spares....F5985-470-7416
66ABJ with spares.....F5985-538-2836
66ABJ-1 without spares..F5985-470-7407

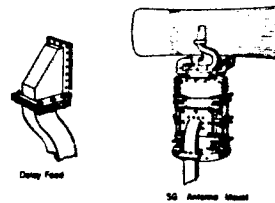
REFERENCES:

- 1) U. S. Navy, Navy Stock List of the Electronics Supply Office, (Feb. 1958). UNCLASSIFIED.
- 2) Raytheon Drawing DXG-74-5037 sub 0 (66ABJ).
- 3) Raytheon Drawing DXG-91-5041-2 (66ABJ-1).
- 4) NAVSHIPS 900531: Instruction Book, Radar Equipments SG-a, SG-b, SG-1b, SG-2s.

BEAM CHARACTERISTICS



SCANNER WITH ANTENNA



Antenna 66ABJ

ANTENNA 66ABL

FREQUENCY: UHF band, 680 - 720 mc.

TYPE: Dipole.

DESCRIPTION: The antenna consists of a probe dipole connected to a coaxial cable. It mounts between the radar dipoles and reflector by four 0.164-32 screws with 1/2-inch by 2-inch mounting centers.

ASSOCIATED EQUIPMENT: Navy Model LW Radar Test Equipment. Equipment function - test.

MANUFACTURER: Western Electric Co., part number D-150565.

STOCK NUMBER: Federal Stock Number F5985-257-3206.

REFERENCE:

U. S. Navy, Navy Stock List of the Electronics Supply Office, (Feb. 1958). UNCLASSIFIED.

ANTENNA 66ABM

ASSOCIATED EQUIPMENT: Navy Models BL-1, BL-2, BL-3, BL-4 and BL-5 Equipment. Equipment function - IFF.

REFERENCE:

U. S. Navy Bureau of Ships, Antenna Data Sheets, Shipboard Antenna Details, Chapter 5, NAVSHIPS 900121(A), (Jan. 1, 1959). CONFIDENTIAL.

UNCLASSIFIED

ANTENNA 66AB0

FREQUENCY: UHF and SHF bands, 2900 - 3100 mc;
VSWR < 2.

TYPE: Cut paraboloidal reflector with a circular horn feed.

DESCRIPTION: The antenna consists of a cut paraboloidal reflector, 42 inches wide by 20 inches high, fed by a circular waveguide horn, 2.9 inches in diameter. The horn is fed by rectangular waveguide. The antenna is enclosed in a cylindrical plexiglass cover. It mounts by eight 3/4-inch holes on a 16-1/2 inch bolt circle

BEAM DATA:

Gain - 25 db.
Half-power beamwidth - Vertical - 12°. Horizontal - 6°.

SCAN DATA: The antenna is rotated in azimuth by a hand-operated mechanical drive.

INSTALLATION: Shipboard, PT boats, landing craft and other small vessels.

ASSOCIATED EQUIPMENT: Navy Model SE Radar Equipment. Equipment function - search.

COGNIZANT AGENCY: U. S. Navy, BuShips.

MANUFACTURER: Western Electric Co., contract NKs-3150.

STOCK NUMBER: Federal Stock Number F5985-369-5483.

REFERENCES:

- 1) H.T. Fris, W.D. Lewis, Radar Antennas, Bell System Technical Journal, 26, No. 2, New York, N.Y.: American Telephone and Telegraph Co. (Apr. 1947). UNCLASSIFIED.
- 2) U. S. Navy, Navy Stock List of the Electronics Supply Office, (Feb. 1958). UNCLASSIFIED.
- 3) Western Electric Drawing E80X-682565 sub 3.

.....

ANTENNA 66ABP

FREQUENCY: VHF band, 175 - 225 mc.

TYPE: Dipole.

DESCRIPTION: The antenna assembly is a Navy monitor antenna assembly consisting of a dipole antenna and a vacuum thermocouple. Its overall dimensions are 29-13/16 inches long by 6-3/8 inches high by 2-31/32 inches wide. The antenna is mounted on a box containing the thermocouple unit.

ASSOCIATED EQUIPMENT: Test equipment for Navy Models SA and SA-1 Radar Equipment. Equipment function - test.

MANUFACTURER: Radio Corporation of America, part number P-720953-501.

STOCK NUMBER: Federal Stock Number F5985-257-3208.

REFERENCES:

- 1) U. S. Navy, Navy Stock List of the Electronics Supply Office, (Feb. 1958). UNCLASSIFIED.
- 2) RCA drawing W-422421 sub 0.

.....

ANTENNA 66ABQ

FREQUENCY: VHF band, 175 - 225 mc.

TYPE: Mattress antenna.

DESCRIPTION: The antenna is a mattress consisting of a flat reflecting screen in front of which are mounted six horizontal dipoles for the radar signal, two vertical dipoles for the BL IFF signal, and eight collinear vertical dipoles for the BG recognition signal. The screen is 104 inches wide by 60 inches high. The overall antenna is 104 inches wide by 103-3/4 inches high by 26-3/4 inches deep.

BEAM DATA:

Gain - 21 db.
Half-power beamwidth - Vertical - 52° for radar signal.
Horizontal - 30° for radar signal.

Polarization - Horizontal for radar signal.
Vertical for IFF signal.

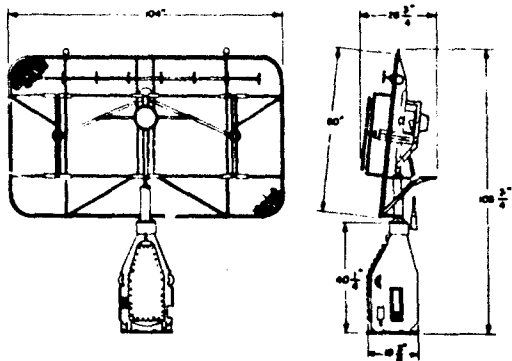
SCAN DATA: The antenna has azimuth lobe-switching and can also be rotated in azimuth at a rate of 5 revolutions per minute.

ASSOCIATED EQUIPMENT: Navy Models SA and SC Radar Equipments. Equipment function - search.

MANUFACTURER: Radio Corporation of America, contract N08r-63207.

STOCK NUMBER: Federal Stock Number F5985-470-7458.

UNCLASSIFIED



Antenna 66ABQ

REFERENCES:

- 1) U. S. Navy, Navy Stock List of the Electronics Supply Office, (Feb. 1958). UNCLASSIFIED.
- 2) U. S. Navy Bureau of Ships, Technical Manual for Radar Equipment SA, SA-2 and SA-3, NAVSHIPS 92179, (June 3, 1954). UNCLASSIFIED.
- 3) RCA Drawing W-305147.

ANTENNA 66ABQ

FREQUENCY: VHF band, 177 - 187 mc.

TYPE: Mattress antenna.

DESCRIPTION: The antenna consists of a flat-screen reflector with four dipoles mounted in front of it. The dipoles are fed by 70-ohm coaxial cable. The overall antenna is 72 inches wide by 60 inches high by 29-1/2 inches deep and weighs 65 pounds. It mounts on Antenna Pedestal NT 10AAE.

SCAN DATA: The antenna is rotated in azimuth by a mechanical drive.

ASSOCIATED EQUIPMENT: Navy Model SA-1 Radar Equipment. Equipment function - search.

MANUFACTURER: Radio Corporation of America.

STOCK NUMBER: Federal Stock Number F5985-470-779.

REFERENCES:

- 1) U. S. Navy, Navy Stock List of the Electronics Supply Office, (Feb. 1958). UNCLASSIFIED.
- 2) Navy Drawing RE 66F361-B.
- 3) RCA Drawing W-305132-1.

ANTENNA 66ABS

FREQUENCY: VHF band, 170 - 180 mc.

TYPE: Dipole (U-type).

DESCRIPTION: The antenna is a sweptback or U-type, copper dipole fed by a 50-ohm coaxial cable. The overall dimensions are approximately 30-3/4 inches long by 15 inches wide. The equipment furnished includes a 20-foot mast made in 5 sections.

BEAM DATA:

Beam type - Approximately omnidirectional in azimuth.

Polarization - Horizontal.

ASSOCIATED EQUIPMENT: Navy Model YH Navigation Equipment. Equipment function - radar beacon.

MANUFACTURER: Howard Radio.

STOCK NUMBER: Federal Stock Number F5985-249-4330.

REFERENCE:

- U. S. Navy, Navy Stock List of the Electronics Supply Office, (Feb. 1958). UNCLASSIFIED.

ANTENNA 66ABU

FREQUENCY: S-band.

TYPE: Cut paraboloidal reflector

DESCRIPTION: The antenna is a cut paraboloidal

reflector, 24 inches high by 48 inches wide, fed by a half-wave radiator. The primary radiator is fed by a 50-ohm coaxial cable. The antenna weighs 175 pounds.

UNCLASSIFIED

BEAM DATA:

Polarization - Vertical.

has been replaced by Navy Model SQ Radar Equipment.

SCAN DATA: The antenna rotates in azimuth at a rate of 24 revolutions per minute. There is provision for either manual or motor-driven rotation.

COGNIZANT AGENCY: U. S. Navy, BuShips.

MANUFACTURER: General Electric Co., contract NXss-4753.

INSTALLATION: Ground or shipboard, landing barges and beachheads.

REFERENCES:

- 1) U. S. Navy, Navy Stock List of the Electronics Supply Office, (Feb. 1958). UNCLASSIFIED.
- 2) SHIPS 257: Instruction Book for Navy Models SN and CXBR Radar Equipment.

ASSOCIATED EQUIPMENT: Navy Model SN Radar Equipment. Equipment function - surface search. Range - 300 yards to 25 nautical miles.

MISCELLANEOUS: Navy Model SN Radar Equipment

.....
ANTENNA 66ABX

FREQUENCY: VHF band, 135 mc.

MANUFACTURER: Philco Corporation

TYPE: Coaxial dipoles.

STOCK NUMBER: Federal Stock Number F5985-369-5327.

DESCRIPTION: The antenna is a coaxial dipole approximately 92-25/32 inches high by 2 inches in diameter. It mounts by a standard 1/2-inch threaded stud and connects to a 50-ohm coaxial cable. The equipment includes a bracket for mounting the dipole to a mast or yardarm and a 200-foot coaxial cable.

REFERENCES:

- 1) U. S. Navy, Navy Stock List of the Electronics Supply Office, (Feb. 1958). UNCLASSIFIED.
- 2) Philco drawing EAP-2255 rev 0.

INSTALLATION: Ground or shipboard.

.....
ANTENNA 66ABY

ASSOCIATED EQUIPMENT: Navy Model CXBS Equipment.

Sheets, Shipboard Antenna Details, Chapter 5, NAVSHIPS 900121(A), (Jan. 1, 1959). CONFIDENTIAL.

REFERENCE:

U. S. Navy Bureau of Ships, Antenna Data

.....
ANTENNA 66ACB, 66ACC, 66ACD, and 66ACE

FREQUENCY: 66ACB...VHF band, 175 - 185 mc; 66ACC...VHF band, 185 - 195 mc; 66ACD...VHF band, 195 - 205 mc; 66ACE...VHF band, 215 - 225 mc.

deep and weighs 556 pounds. Each antenna is mounted by eight 13/16-inch bolts equally spaced on a 16-1/2-inch bolt circle. The antennas are designed for connection to a double concentric line, 7/8 inch in diameter and with an impedance of 70 ohms.

TYPE: Mattress antenna.

DESCRIPTION: These four antennas are identical, but each is designed to operate at a slightly different radar frequency. Each antenna consists of a flat rectangular reflector with three sets of dipoles mounted in front of it. One set of dipoles consists of 6 horizontal dipoles for the radar, another set consists of 4 vertical dipoles for Navy Model BL IFF equipment, and the third set consists of 12 vertical dipoles for Navy Model BG receiving identification equipment. This assembly is mounted on a pedestal containing a motorized drive unit, synchro units and a rotary joint. Each of the four antennas is approximately 15 feet wide by 8 feet high by 43-1/2 inches

SCAN DATA: The antennas have a motor-driven rotating mechanism.

ASSOCIATED EQUIPMENT: Navy Model SC-2 Radar Equipment. Equipment function - search.

MANUFACTURER: General Electric Co.

STOCK NUMBERS: 66ACB...Federal Stock Number F5840-699-3603; 66ACC...Federal Stock Number F5985-369-5589; 66ACD...Federal Stock Number F5985-349-4902; 66ACE...Federal Stock Number F5985-349-4909.

UNCLASSIFIED

REFERENCES:

- 1) U. S. Navy, Navy Stock List of the Electronics Supply Office, (Feb. 1958). UNCLASSIFIED.

- 2) General Electric Drawing P-7764747 rev. 2.

.....

ANTENNA 66ACF

FREQUENCY: VHF band, 157 - 187 mc

ASSOCIATED EQUIPMENT: Navy Model EM Equipment. Equipment function - IFF.

DESCRIPTION: Reference 1) describes the antenna as a "stovepipe" antenna consisting of two stovepipe sections joined with a ceramic insulator and mounted on a sub-base assembly. The antenna is 6 feet long 6 inches in diameter at the top, 12-3/4 inches in diameter at the base, and weighs 49 pounds. It is designed for connection to a 50-ohm cable (RG-10/U) with an NT-49195 plug assembly.

MANUFACTURER: Hazeltine Electric Co.

STOCK NUMBER: Federal Stock Number N5985-408-8708.

REFERENCES:

- 1) U. S. Navy, Navy Stock List of the Electronics Supply Office, (Feb. 1958). UNCLASSIFIED.

BEAM DATA:

Beam type - Approximately nondirectional in azimuth with most of the energy directed toward the horizon.
Polarization - Vertical.

- 2) Hazeltine Drawing MA-1015.
- 3) Navy Drawing 66F385D.

.....

ANTENNA 66ACG

FREQUENCY: VHF band, 157 - 187 mc.

- 2) U. S. Navy, Navy Stock List of the Electronics Supply Office, (Feb. 1958). UNCLASSIFIED.

TYPE: Ground-plane antenna.

DESCRIPTION: The antenna consists of a vertical steel rod, 15-1/2 inches long and 1 inch in diameter, and a wheel-type ground plane made up of a 19-inch-diameter steel ring with four equally spaced radial steel spokes. The antenna weighs 5 pounds. The base of the antenna is tapped to receive a 1-inch pipe with a standard straight pipe thread. This mounting pipe, which is not supplied, should be approximately 25 inches long from the top of the pipe to its nearest point of support. The antenna is fed by RG-10/U coaxial cable.

- 3) NAVSHIPS 95439, Preliminary Installation Instructions on Model CTZ-66ACG Antenna Assembly.

BEAM DATA:

Beam type - Omnidirectional in azimuth.
Polarization - Vertical.

INSTALLATION: Shipboard (small and medium vessels where space aloft is limited).

ASSOCIATED EQUIPMENT: Navy Model BL, EM, and EN series equipment. Equipment function - IFF.

COGNIZANT AGENCY: U. S. Navy, BuShips.

MANUFACTURER: Hazeltine Service Corp., contract NKss-23157.

STOCK NUMBER: Navy F16-A-52285-7781.

REFERENCES:

- 1) U. S. Navy Bureau of Ships, Antenna Data Sheets, Shipboard Antenna Details, Chapter 2, NAVSHIPS 900121(A), (Jan. 1, 1959). CONFIDENTIAL.



Antenna 66ACG

UNCLASSIFIED

ANTENNA 66ACM

FREQUENCY: UHF band, 600 mc.

CXCF Radar Equipment. Equipment function - fire control.

TYPE: Probably parabolic-cylinder reflector.

MANUFACTURER: Radio Corporation of America.

DESCRIPTION: The antenna is a highly directive antenna of the parabolic type and employs lobe switching. It weighs 310 pounds and is gimbal mounted. The primary radiator is designed to be fed by a 50-ohm transmission line.

STOCK NUMBER: Federal Stock Number N5985-409-0951.

SCAN DATA: The antenna rotates in azimuth and employs lobe switching.

REFERENCES:
1) U. S. Navy, Navy Stock List of the Electronics Supply Office, (Feb. 1958). UNCLASSIFIED.

INSTALLATION: Shipboard.

2) NCA Drawing TX-263330.

ASSOCIATED EQUIPMENT: Navy Model Mark 6 and

.....

ANTENNA 66ADA

ASSOCIATED EQUIPMENT: Navy Model BA Equipment. Equipment function - IFF.

Sheets, Shipboard Antenna Details, Chapter 5, NAVSHIPS 900121(A), (Jan. 1, 1959). CONFIDENTIAL.

REFERENCE:

U. S. Navy Bureau of Ships, Antenna Data

.....

ANTENNA 66AIB

ASSOCIATED EQUIPMENT: Navy Model SD-3(2) Radar Equipment. Equipment function - search.

Sheets, Shipboard Antenna Details, Chapter 5, NAVSHIPS 900121(A), (Jan. 1, 1959). CONFIDENTIAL.

REFERENCE:

U. S. Navy Bureau of Ships, Antenna Data

.....

ANTENNA 66ADC

ASSOCIATED EQUIPMENT: Navy Model SD-3(2) Radar Equipment. Equipment function - search. Navy Model OAF Equipment. Equipment function - probably training.

REFERENCE:

U. S. Navy and Bureau of Ships, Antenna Data Sheets, Shipboard Antenna Details, Chapter 5, NAVSHIPS 900121(A), (Jan. 1, 1959). CONFIDENTIAL.

.....

ANTENNA 66ADE

ASSOCIATED EQUIPMENT: Navy Model XED Experimental Equipment.

Sheets, Shipboard Antenna Details, Chapter 5, NAVSHIPS 900121(A), (Jan. 1, 1959). CONFIDENTIAL.

REFERENCE:

U. S. Navy Bureau of Ships, Antenna Data

.....

ANTENNA 66ADG

ASSOCIATED EQUIPMENT: Navy Model YH-1 Equipment. Equipment function - navigation.

Sheets, Shipboard Antenna Details, Chapter 5, NAVSHIPS 900121(A), (Jan. 1, 1959). CONFIDENTIAL.

REFERENCE:

U. S. Navy Bureau of Ships, Antenna Data

.....

UNCLASSIFIED

ANTENNA 66ADM

FREQUENCY: SHF band, 3071 - 3100 mc.

INSTALLATION: Shipboard, submarine.

TYPE: Cut paraboloidal reflector with two waveguide horns.

ASSOCIATED EQUIPMENT: Navy Model SJ Radar Equipment. Equipment function - fire control.

DESCRIPTION: The antenna consists of a cut paraboloidal reflector, 30 inches wide by 10 inches high, fed by two waveguide horns mounted side by side on either side of the focal point of the reflector. The reflecting surface is formed from a solid sheet of aluminum alloy. The waveguide horns are made from a manganese-bronze casting. The two horns are used so that lobe switching can be employed.

MISCELLANEOUS: Antenna 66ADM is the same as 66AAP, but it has a different swinging arc.

COGNIZANT AGENCY: U. S. Navy, BuShips.

MANUFACTURER: Western Electric Co.

STOCK NUMBER: Federal Stock Number F5985-470-7418.

BEAM DATA:

Gain - 19 db.

Half-power beamwidth - Vertical - 18°. Horizontal - 8°.

Beam type - Fan, pointed somewhat upward in elevation.

Polarization - Horizontal.

REFERENCES:

- 1) H.T. Friis, W.D. Lewis, Radar Antennas, Bell System Technical Journal, 26, No. 2, New York, N.Y.: American Telephone and Telegraph Co. (Apr. 1947). UNCLASSIFIED.
- 2) U. S. Navy, Navy Stock List of the Electronics Supply Office, (Feb. 1958). UNCLASSIFIED.
- 3) Western Electric Drawings ESR-679593 issue 9, ESR-688771 issue 1, and ESR-688972 issue 1.

SCAN DATA: The antenna employs lobe switching in azimuth. The lobe-switching beam separation is approximately 5°, and the gain reduction at the beam crossover is less than 1 db. The antenna also has a motor-driven azimuth rotating mechanism.



ANTENNA 66ADM

FREQUENCY: SHF band, 9000 mc.

REFERENCE:

U. S. Navy Bureau of Ships, Antenna Data Sheets, Shipboard Antenna Details, Chapter 5, NAVSHIPS 900121(A), (Jan. 1, 1959). CONFIDENTIAL.

ASSOCIATED EQUIPMENT: Navy Model CXBQ Experimental Radar Equipment. Equipment function - search.

MANUFACTURER: Western Electric Co.



ANTENNA 66ADJ

FREQUENCY: SHF band, 9000 mc.

rotating and tilting mechanism.

TYPE: Probably a cut paraboloidal reflector.

ASSOCIATED EQUIPMENT: Navy Model CXBQ Experimental Radar Equipment. Equipment function - search.

DESCRIPTION: The antenna consists of a reflector that is probably a cut paraboloid, two dipoles with parasitic reflectors, and a dome-shaped protective cover. The overall dimensions without the cover are 42 inches wide by 57-1/2 inches long by 37-1/2 inches deep. The dome-shaped cover is 66 inches high by 66 inches in diameter. The antenna is mounted by eight 17/32-inch bolts.

MANUFACTURER: Western Electric Co.

STOCK NUMBER: Federal Stock Number N5985-331-0101.

BEAM DATA:

Beam type - Directional.

REFERENCES:

- 1) U. S. Navy, Navy Stock List of the Electronics Supply Office, (Feb. 1958). UNCLASSIFIED.
- 2) Western Electric Drawing T-7609436 sub 0.

SCAN DATA: The antenna has a motor-driven



UNCLASSIFIED

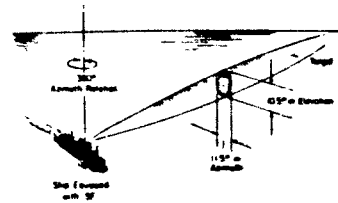
ANTENNA 66ADK

FREQUENCY: SHF band, 3000 mc; VSWR < 1.5.

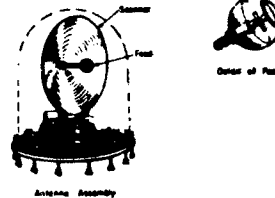
TYPE: Paraboloidal reflector with dipole feed.

DESCRIPTION: The antenna consists of a paraboloidal reflector, 2 feet in diameter with a focal length of 8 inches, a dipole feed, an echo-box assembly, and a dome-shaped protective cover. The antenna assembly is 34-1/2 inches high by 30-1/4 inches in diameter. It is mounted by eight threaded studs, 3/4 inch in diameter and 1-3/4 inches long, equally spaced on a 16-1/2-inch bolt circle. The dipole is fed by a coaxial cable.

BEAM CHARACTERISTICS



SCANNER WITH ANTENNA



Antenna 66ADK

BEAM DATA:

- Gain - 13 db.
Half-power beamwidth - Vertical - 10.5°, Horizontal - 11.5°.
Side-lobe attenuation - Vertical - 20 db., Horizontal - 21 db.
Polarization - Horizontal.

SCAN DATA: The antenna has a motor-driven rotating and tilting mechanism. It rotates through 360° in azimuth.

ASSOCIATED EQUIPMENT: Navy Model SF Radar Equipment. Equipment function - search, surface.

MISCELLANEOUS: The 66ADK is similar to the 66AEX. The 66ADK has a different rotating mechanism and some changes in the protective cover and the way in which the dipole is mounted.

MANUFACTURER: Submarine Signal Co.

REFERENCES:

- 1) U. S. Navy Bureau of Ships, Antenna Data Sheets, Shipboard Antenna Details, Chapter 5, NAVSHIPS 900121(A), (Jan. 1, 1959). CONFIDENTIAL.
2) Antenna Catalog, Report No. 1330. Cambridge, Mass.: Radiation Laboratory, Massachusetts Institute of Technology, (Oct. 8, 1945). MIT 45-10. UNCLASSIFIED.

ANTENNA 66ADN

FREQUENCY: S-band.

REFERENCE:

ASSOCIATED EQUIPMENT: Navy Models SO, SO-a, and CXEX Radar Equipment. Equipment function - search.

U. S. Navy Bureau of Ships, Antenna Data Sheets, Shipboard Antenna Details, Chapter 5, NAVSHIPS 900121(A), (Jan. 1, 1959). CONFIDENTIAL.

ANTENNA 66ADO

FREQUENCY: S-band.

MANUFACTURER: Raytheon Mfg. Co.

TYPE: Dipole.

STOCK NUMBER: Federal Stock Number F5985-470-7393.

DESCRIPTION: The antenna consists of a dipole and a length of coaxial cable. It is part of an echo box that is used with radar antennas NT 66ADN and NT 66APK. The antenna assembly is 2-1/2 inches high by 2-1/4 inches wide and is clamped by two screws to an antenna bracket.

REFERENCES:

- 1) U. S. Navy, Navy Stock List of the Electronics Supply Office, (Feb. 1958). UNCLASSIFIED.
2) Raytheon Drawing M-3A11-J147 sub A.

ASSOCIATED EQUIPMENT: Navy Model SO, SO-a, and CXEX Radar Equipment. Equipment function - test.

UNCLASSIFIED

ANTENNA 66ADP

ASSOCIATED EQUIPMENT: Navy Model MX-11 Radio Equipment. Equipment function - communications.

U. S. Navy Bureau of Ships, Antenna Data Sheets, Shipboard Antenna Details, Chapter 5, NAVSHIPS 900121(A), (Jan. 1, 1959). CONFIDENTIAL.

REFERENCE:

.....

ANTENNA 66ADR

ASSOCIATED EQUIPMENT: Navy Model SB Radar Equipment. Equipment function - search.

U. S. Navy Bureau of Ships, Antenna Data Sheets, Shipboard Antenna Details, Chapter 5, NAVSHIPS 900121(A), (Jan. 1, 1959). CONFIDENTIAL.

REFERENCE:

.....

ANTENNA 66ADS

FREQUENCY: Additional information is available in the secret document listed below as Reference 1 and in Volume VI of this catalog series.

1) E. B. Soltwedel, A Radar Directory, Project RAND Research Memorandum RM-2000. Santa Monica, California: The RAND Corporation, (Aug. 13, 1957), ASTIA Report No. AD-150674. SECRET.

BEAM DATA: See Reference 1) or Volume VI.

2) U. S. Navy Bureau of Ships, Antenna Data Sheets, Shipboard Antenna Details, Chapter 5, NAVSHIPS 900121(A), (Jan. 1, 1959). CONFIDENTIAL.

ASSOCIATED EQUIPMENT: Navy Model EM Equipment. Equipment function - IFF.

REFERENCES:

.....

ANTENNA 66AEP-(*)

FREQUENCY: UHF band, 2915 - 2967 mc.

STOCK NUMBERS: 66AEP...Federal Stock Number F5985-246-4506; 66AEP-1...Federal Stock Number F5985-246-4507; 66AEP-2...Federal Stock Number F5985-246-4518.

TYPE: Cut paraboloidal reflector with circular waveguide horn.

DESCRIPTION: The antenna consists of a cut paraboloidal reflector, 20 inches high by 42 inches wide, fed by a circular waveguide horn. The assembly is enclosed in a dome-shaped protective cover. It is mounted by eight 13/16-inch bolts equally spaced on a 16-1/2 inch bolt circle.



Antenna 66AEP-(*)

BEAM DATA:

Gain - Approximately 22 db.
Half-power beamwidth - Vertical - 12°. Horizontal - 6°. Polarization - Horizontal.

SCAN DATA: The antenna rotates in azimuth at a rate of 18 revolutions per minute.

INSTALLATION: Shipboard.

ASSOCIATED EQUIPMENT: Navy Models SL, SL-a, and SL-1 Radar Equipment. Equipment function - search, surface.

MISCELLANEOUS: The nomenclature 66AEP-(*) denotes 66AEP, 66AEP-1, and 66AEP-2.

COGNIZANT AGENCY: U. S. Navy, BuShips.

MANUFACTURER: Western Electric Co.

UNCLASSIFIED

REFERENCES:

- 1) H.T. Friis, W.D. Lewis, Radar Antennas, Bell System Technical Journal, 28, NO. 2. New York, N.Y.: American Telephone and Telegraph Co. (Apr. 1947). UNCLASSIFIED.
- 2) Western Electric Drawings ESXX-654068 issues 3 and 6 and ESXX-687515.

- 3) ENG 193: Instruction Book for Model SL Radar Equipment.
- 4) SHIPS 255: Instruction Book for Radar Equipment SL-a.
- 5) SHIPS 249: Instruction Book for Radar Equipment SL-1.

.....

ANTENNA 66AEQ

ASSOCIATED EQUIPMENT: Navy Model SN-1 Radar Equipment. Equipment function - search.

U. S. Navy Bureau of Ships, Antenna Data Sheets, Shipboard Antenna Details, Chapter 5, NAVSHIPS 900121(A), (Jan. 1, 1959). CONFIDENTIAL.

REFERENCE:

.....

ANTENNA 66AER

ASSOCIATED EQUIPMENT: Navy Model SC-3 Radar Equipment. Equipment function - search.

U. S. Navy Bureau of Ships, Antenna Data Sheets, Shipboard Antenna Details, Chapter 5, NAVSHIPS 900121(A), (Jan. 1, 1959). CONFIDENTIAL.

REFERENCE:

.....

ANTENNA 66AES

ASSOCIATED EQUIPMENT: Navy Model SC-3 Radar Equipment. Equipment function - search.

U. S. Navy Bureau of Ships, Antenna Data Sheets, Shipboard Antenna Details, Chapter 5, NAVSHIPS 900121(A), (Jan. 1, 1959). CONFIDENTIAL.

REFERENCE:

.....

ANTENNA 66AET-*)

FREQUENCY: VHF band, 195 - 205 mc (radar frequency).

in azimuth by a motor-driven mechanism at 5 revolutions per minute.

TYPE: Mattress antenna.

INSTALLATION: Shipboard.

DESCRIPTION: The antenna consists of a flat rectangular reflector with three sets of dipoles mounted in front of it. One set of dipoles consists of 6 horizontal dipoles for the radar, another set consists of 4 vertical dipoles for Navy Model BL IFF equipment, and the third set consists of 12 vertical dipoles for Navy Model BG identification receiver. This assembly is mounted on a pedestal containing a motorized drive unit and three synchro units. The antenna is approximately 15 feet wide by 7-1/2 feet high by 3-2/3 feet deep and weighs approximately 550 pounds. The antenna is mounted by eight 13/16-inch bolts equally spaced on a 16-1/2-inch bolt circle. The antenna is designed for connection to a double concentric line, RG-18/U and RG-10/U.

ASSOCIATED EQUIPMENT: Navy Model SC-3 and SC-4 Radar Equipment. Equipment function - search, air. Navy Model BL Equipment and Navy Model BG Equipment. Equipment function - IFF.

MISCELLANEOUS: The nomenclature 66AET-*) denotes 66AET and 66AET-1. The 66AET weighs somewhat more than 66AET-1, and 66AET-1 is used only with Navy Model SC-4.

MANUFACTURER: General Electric Co.

STOCK NUMBERS: 66AET...Federal Stock Number F5985-349-4905; 66AET-1...Federal Stock Number F5840-369-5590 and Navy (ESO) F16-RA-3991.

BEAM DATA: (Radar section)

Gain - 13.5 db.
Half-power beamwidth - Vertical - 60°. Horizontal - Approximately 20°.

Polarization - Horizontal.

REFERENCES:

- 1) U. S. Navy, Navy Stock List of the Electronics Supply Office, (Feb. 1958). UNCLASSIFIED.
- 2) General Electric Drawing P-7765337 rev 0 and 1.

SCAN DATA: The antenna is rotated through 360°

UNCLASSIFIED

ANTENNA 66AEU(*)

FREQUENCY: VHF band, 215 - 225 mc (radar frequency).

TYPE: Mattress antenna.

DESCRIPTION: The antenna consists of a flat rectangular reflector with three sets of dipoles mounted in front of it. One set of dipoles consists of 6 horizontal dipoles for the radar, another set consists of 4 vertical dipoles for Navy Model BL IFF equipment, and the third set consists of 12 vertical dipoles for Navy Model BG identification receiver. This assembly is mounted on a pedestal containing a motor-drive unit and three synchro units. The antenna is approximately 15 feet wide by 7-1/2 feet high by 3-2/3 feet deep. It is mounted by eight 13/16-inch holes equally spaced on a 16-1/2-inch bolt circle. The antenna is designed for connection to two r-f cables, one RG-18/U and one RG-10/U.

BEAM DATA: (Radar section)

Gain - 13.5 db.

Half-power beamwidth - Vertical - 60°. Horizontal - Approximately 20°.

Polarization - Horizontal.

SCAN DATA: The antenna is rotated through 360° in azimuth by a motor-driven mechanism at 5 revolutions per minute.

INSTALLATION: Shipboard.

ASSOCIATED EQUIPMENT: Navy Model SC-3 and SC-4 Radar Equipment. Equipment function - search, air.

Navy Model BL Equipment and Navy Model BG Equipment. Equipment function - IFF.

MISCELLANEOUS: The nomenclature 66AEU-(*) denotes 66AEU and 66AEU-1. The two models use different synchro units.

MANUFACTURER: General Electric Co.

STOCK NUMBERS: Federal Stock Numbers F5985-349-4973 (66AEU), and F5985-470-7460 (66AEU-1).

REFERENCE:

U. S. Navy, Navy Stock List of the Electronics Supply Office, (Feb. 1958). UNCLASSIFIED.



ANTENNA 66AEW

FREQUENCY: VHF band, 215 - 225 mc.

TYPE: Mattress antenna.

DESCRIPTION: The antenna is a mattress consisting of a flat reflecting screen. Mounted in front of the reflector are six horizontal dipoles for the radar signal, two vertical dipoles for the BL IFF signal, and eight collinear vertical dipoles for BG recognition signal. The reflector is 104 inches wide by 63-1/2 inches high. The total weight of the antenna is 228 pounds. It is mounted by ten 3/8 inch-16 thread steel bolts equally spaced on a 6-1/4-inch bolt circle.

BEAM DATA:

Gain - 21 db.

Half-power beamwidth - Vertical - 52° for radar signal. Horizontal - 30° for radar signal.

Polarization - Horizontal for radar signal and vertical for IFF signal.

SCAN DATA: The antenna has azimuth lobe-switching and can also be rotated in azimuth at a rate of 5 revolutions per minute.

ASSOCIATED EQUIPMENT: Navy Models SA-2 and SA-3 Radar Equipment. Equipment function - search.

MANUFACTURER: Radio Corporation of America, contract N0bsr-63207.

STOCK NUMBER: Federal Stock Number F5985-470-7459.

REFERENCES:

1) U. S. Navy, Navy Stock List of the Electronics Supply Office, (Feb. 1958). UNCLASSIFIED.

2) U. S. Navy Bureau of Ships, Technical Manual for Radar Equipment SA, SA-2 and SA-3, NAVSHIPS 92179, (June 3, 1954). UNCLASSIFIED.

3) RCA Drawing T-621106 sub. 0.



ANTENNA 66AEX

FREQUENCY: SHF band, 3000 mc.

TYPE: Paraboloidal reflector with a dipole feed.

DESCRIPTION: The antenna consists of paraboloidal reflector with a dipole feed, an echo-box assembly, and a dome-shaped protective cover. The antenna assembly is 34-1/2 inches high by 30-1/4 inches in diameter. It is mounted by eight threaded studs, 3/4 inch in diameter and 1-3/4 inches long, equally spaced on a 16-1/2-inch bolt circle. The antenna is fed by a coaxial cable.

The antenna assembly is 34-1/2 inches high by 30-1/4 inches in diameter. It is mounted by eight threaded studs, 3/4 inch in diameter and 1-3/4 inches long, equally spaced on a 16-1/2-inch bolt circle. The antenna is fed by a coaxial cable.

UNCLASSIFIED

SCAN DATA: The antenna has a motor-driven rotating and tilting mechanism.

ASSOCIATED EQUIPMENT: Navy Model SF Radar Equipment. Equipment function - search, surface.

MISCELLANEOUS: The 66AEX is similar to the 66ADK. The 66AEX has a different rotating mechanism and some changes in the protective cover and in the way in which the dipole is mounted.

MANUFACTURER: Submarine Signal Co.

STOCK NUMBER: Federal Stock Number F5985-246-4511.

REFERENCES:
1) U. S. Navy, Navy Stock List of the Electronics Supply Office, (Feb. 1958). UNCLASSIFIED.

2) Submarine Signal Drawing SK-5360 alt. 2.



ANTENNA 66AEZ-*

FREQUENCY: UHF band, 2700 - 2900 mc.

TYPE: Paraboloidal reflector.

DESCRIPTION: The antenna consists of an 8-foot paraboloidal reflector, 66AHA, and a feed assembly. No information is available on the feed assembly except that the antenna includes a 6-element folded-dipole array for IFF.

ASSOCIATED EQUIPMENT: Navy Models SM and SM-1 Radar Equipment. Equipment function - search and IFF.

MISCELLANEOUS: The nomenclature 66AEZ-*(*) denotes 66AEZ and 66AEZ-1. The 66AHA is part of 66AEZ-1.

MANUFACTURER: W-J-L Products Co.

STOCK NUMBER: Federal Stock Number F5985-369-5568 (66AHA).

REFERENCES:
1) U. S. Navy Bureau of Ships, Antenna Data Sheets, Shipboard Antenna Details, Chapter 5, NAVSHIPS 900121(A), (Jan. 1, 1959). CONFIDENTIAL.

2) U. S. Navy, Navy Stock List of the Electronics Supply Office, (Feb. 1958). UNCLASSIFIED.

3) Navy Drawing RE 13A9142A (66AHA).



ANTENNA 66AFA and 66AFB

ASSOCIATED EQUIPMENT: Navy Model Mark 15 Radar Equipment. Equipment function - fire control.

REFERENCE:

U. S. Navy Bureau of Ships, Antenna Data Sheets, Shipboard Antenna Details, Chapter 5, NAVSHIPS 900121(A), (Jan. 1, 1959). CONFIDENTIAL.



ANTENNA 66AFC

FREQUENCY: UHF and SHF bands, 3000 mc.

TYPE: Cut paraboloidal reflector with two waveguide horns.

DESCRIPTION: The antenna consists of a reflector, which is an offset section of a paraboloid, fed by two waveguide horns mounted side by side on either side of the focal point of the reflector. The reflector is 30 inches wide by 10 inches high and is constructed of horizontal, aluminum alloy slats. The waveguide horn assembly is 11-5/8 inches high by 20-11/16 inches wide by 14-1/2 inches long and is made from a manganese-bronze casting. Two horns are used so that lobe switching can be employed.

BEAM DATA:
Gain - 20 db.
Half-power beamwidth - Vertical - 17°. Horizontal - 8°.
Beam type - Fan, pointed somewhat upward in

elevation.
Polarization - Horizontal.

SCAN DATA: The antenna employs lobe switching in azimuth at a rate of 1720 cycles per minute. The lobe-switching beam separation is approximately 5°, and the gain at the cross-over point is less than 1 db down from the peak gain. The antenna also has a motor-driven mechanism that rotates the antenna in azimuth at a constant speed of any value up to 12 revolutions per minute.

INSTALLATION: Shipboard, submarine.

ASSOCIATED EQUIPMENT: Navy Model SJ-1 Radar Equipment. Equipment function - search and fire control.

MISCELLANEOUS: Antenna 66AFC is the same as antenna 66AGK. The 66AFC is used with submarine radar and the 66AGK is used with radar for surface vessels.

UNCLASSIFIED

COGNIZANT AGENCY: U. S. Navy, BuOrd.

MANUFACTURER: Western Electric Co.

STOCK NUMBER: Federal Stock Number F5985-470-7414.

REFERENCES:

- 1) H.T. Friis, W.D. Lewis, Radar Antennas, Bell System Technical Journal, 26, No. 2, New York, N.Y.: American Telephone and Telegraph Co. (Apr. 1947). UNCLASSIFIED.
- 2) U. S. Navy, Navy Stock List of the Electronics Supply Office, (Feb. 1958). UNCLASSIFIED.

.....

ANTENNA 66AFD

FREQUENCY: SHF band, about 3000 mc.

to 66ADH, 66AFC, and 66AGK and may be the same as 66AFC.

INSTALLATION: Shipboard, submarine.

ASSOCIATED EQUIPMENT: Navy Model SJ-a Radar Equipment. Equipment function - search and fire control.

REFERENCE: U. S. Navy Bureau of Ships, Antenna Data Sheets, Shipboard Antenna Details, Chapter 5, NAVSHIPS 900121(A), (Jan. 1, 1959). CONFIDENTIAL.

MISCELLANEOUS: The 66AFD is probably similar

.....

ANTENNA 66AFE

ASSOCIATED EQUIPMENT: Navy Models SD-2, SD-4, and SD-5 Radar Equipment. Equipment function - search.

U. S. Navy Bureau of Ships, Antenna Data Sheets, Shipboard Antenna Details, Chapter 5, NAVSHIPS 900121(A), (Jan. 1, 1959). CONFIDENTIAL.

REFERENCE:

.....

ANTENNA 66AFF

MAJOR COMPONENTS: 2 four-foot parabolic-cylinder reflectors, 1 two-foot parabolic-cylinder reflector, and 18 dipole feeds.

Half-power beamwidth - Vertical - 10°. Horizontal - 10°.

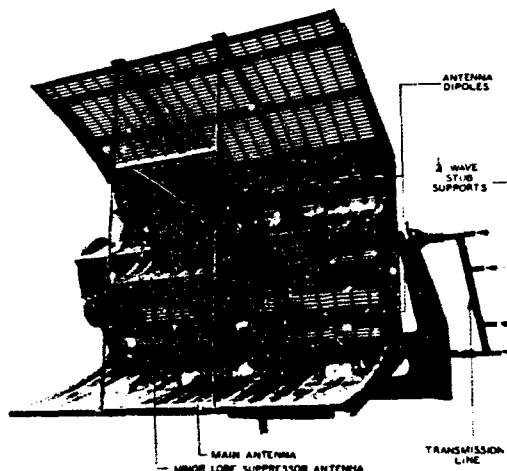
Beam type - Pencil. Polarization - Horizontal.

FREQUENCY: UHF band, 920 - 970 mc.

TYPE: Parabolic-cylinder reflector with a dipole feed.

DESCRIPTION: The antenna has two main parabolic-cylinder reflectors mounted one on top of the other with their focal lines horizontal and in the same vertical plane when the antenna is aimed at the horizon. These reflectors are each 4 feet long by 2 feet high with a focal length of approximately 1/4 wavelength. Each reflector is fed by 8 dipoles mounted with their axes coincident in a horizontal line along the focal line of the reflector. The sixteen dipoles are electrically connected in four groups of four dipoles. These groups are connected to a lobe switch to position the beam in one of four positions.

Mounted centrally on the front of the antenna at the junction of the two parabolic reflectors in a smaller antenna consisting of a parabolic cylinder, 2 feet by 2 feet, fed by two dipoles. This antenna is used to suppress the side lobes of the main antenna.



66AFF

BEAM DATA: Gain - 22 db.

UNCLASSIFIED

SCAN DATA: The antenna is rotated and tilted manually when tracking. Accurate tracking is accomplished by lobing. A capacitor which rotates at 60 cycles per second causes a phase shift in the currents in the dipole feeds. This causes the main lobe of the radiation pattern to be shifted off the axis of the antenna by approximately 2-1/2". As the capacitor makes one revolution, the lobe is shifted first up, then to the right, then down, and finally to the left. Thus, there are four positions of the main lobe. When the signal returns for all four positions is equal, the antenna is pointed directly at the target. The auxiliary antenna beam is not lobe switched.

INSTALLATION: Shipboard.

ASSOCIATED EQUIPMENT: Radar Equipment Mark 12, Mod 1. Equipment function - fire control. Range - air, 400 to 45,000 yards, surface, 400 to 40,000 yards.

MISCELLANEOUS: The 66AFF is the same as Antenna Mark 17, Mod O.

COGNIZANT AGENCY: U. S. Navy, BuOrd.

MANUFACTURER: Western Electric Co., contracts NOrd 4496 and NOrd 5358.

STOCK NUMBER: Federal Stock Number W5985-470-7456.

REFERENCES:

- 1) U. S. Navy Bureau of Ordnance, Instruction Book for Radar Equipment Mark 12, Mod 1, NAVORD OP 1772, (Oct. 1944). UNCLASSIFIED.
- 2) U. S. Navy Bureau of Ordnance, Radar Equipment Mark 12, Model O, NAVORD OP 1076, (April 1944). UNCLASSIFIED.



ANTENNA 66AFG

ASSOCIATED EQUIPMENT: Navy Models SQ and CXBR-1 Radar Equipment. Equipment function - search.

U. S. Navy Bureau of Ships, Antenna Data Sheets, Shipboard Antenna Details, Chapter 5, NAVSHIPS 900121(A), (Jan. 1, 1959). CONFIDENTIAL.

REFERENCE:



ANTENNA 66AFJ

FREQUENCY: VHF band, 157 - 187 mc.

STOCK NUMBERS: Federal Stock Number W5985-318-7007, Navy F16-A-52285-7805.

TYPE: Ground-plane antenna.

REFERENCES:

- 1) U. S. Navy, Navy Stock List of the Electronics Supply Office, (Feb. 1958). UNCLASSIFIED.
- 2) U. S. Navy Bureau of Ships, Antenna Data Sheets, Shipboard Antenna Details, Chapter 5, NAVSHIPS 900121(A), (Jan. 1, 1959). CONFIDENTIAL.

DESCRIPTION: The antenna consists of a vertical radiating rod, 9-7/8 inches long by 2 inches in diameter, and a "steering-wheel" or "doughnut" ground plane that is made up of a 20-inch-diameter ring supported by three radial spokes. The overall antenna is 18 inches high and weighs 8 pounds. The antenna has a jack to receive a cable assembly that is made up of an NT 49195 plug and a length of 50-ohm coaxial cable, RG-10/U. The antenna base is tapped with a standard straight pipe thread to receive a standard 1-inch iron mounting pipe, at least 15 inches long.

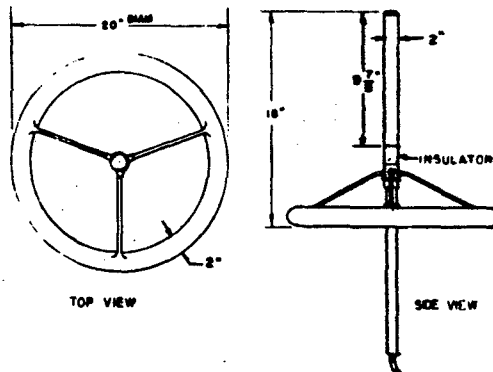
BEAM DATA:

Beam type - Omnidirectional in azimuth with a low-angle vertical beam.
Polarization - Vertical.

INSTALLATION: Shipboard.

ASSOCIATED EQUIPMENT: Navy Models HL-1, HL-2, HL-4, HL-5, HL-6, HM-1, HM-2, HM-2, BQ, SO-7M, SO-7N, SO-12M, SO-12N, and YJ-2 Equipment. Equipment function - IFF.

MANUFACTURERS: Technical Appliance Corp. and Hazeltine Electronics Div.



Antenna 66AFJ

UNCLASSIFIED

3) Hazeltine Drawing MA-1167-1.

4) NAVSHIPS 918.8.

.....

ANTENNA 66AFK-(*)

FREQUENCY: S-band.

MISCELLANEOUS: The nomenclature 66AFK-(*) denotes 66AFK and 66AFK-1. The 66AFK-1 is a 66AFK which has been modified in the field to provide the antenna with a hydraulic tilting mechanism.

TYPE: Probably a cut paraboloidal reflector with a waveguide feed.

MANUFACTURER: Raytheon Mfg. Co.

DESCRIPTION: The antenna is a parabolic-type reflector fed by a waveguide. The overall assembly is 49 inches high and 26-1/4 inches in diameter. It is mounted by four 7/16-inch bolts equally spaced on a 13-inch bolt circle.

STOCK NUMBER: Federal Stock Number F5985-246-4501 (66AFK-1).

SCAN DATA: The antenna has a motor-driven azimuth-rotating mechanism. Model 66AFK-1 also tilts in elevation from 0° to +90°.

REFERENCES:
1) U. S. Navy, Navy Stock List of the Electronics Supply Office, (Feb. 1958). UNCLASSIFIED.

ASSOCIATED EQUIPMENT: Navy Models SO, SO-a, SO-3, and SO-13 Radar Equipment. Equipment function - search.

2) Raytheon Drawing M-87A-U2 sub O.

.....

ANTENNA 66AFL

FREQUENCY: UHF and SHF bands, 3000 mc.

MANUFACTURER: Raytheon Mfg. Co.

TYPE: Cut paraboloidal reflector with a waveguide horn feed.

STOCK NUMBER: Federal Stock Number F5840-369-5481.

DESCRIPTION: The antenna is a cut paraboloidal reflector with a "nozzle" type waveguide feed horn. The overall assembly is 43 inches high by 48 inches in diameter.

REFERENCES:
1) U. S. Navy, Navy Stock List of the Electronics Supply Office, (Feb. 1958). UNCLASSIFIED.

ASSOCIATED EQUIPMENT: Navy Model SO-1 Radar Equipment. Equipment function - search.

2) Raytheon Drawing M-12A1-V111 sub O.

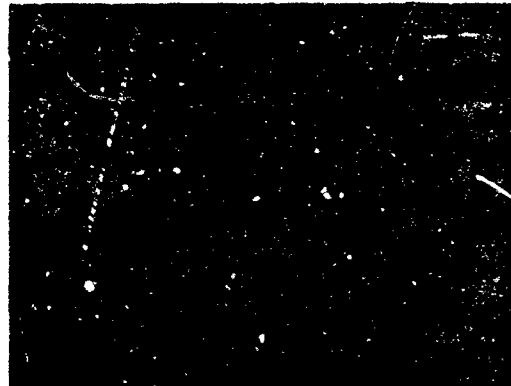
.....

ANTENNA 66AFM

FREQUENCY: UHF and SHF bands, 2900 - 3100 mc.

TYPE: Cut paraboloidal reflector with waveguide horn feed.

DESCRIPTION: The antenna consists of a cut paraboloidal reflector, a "nozzle" type waveguide feed horn, a turret-type protective cover, and a pedestal with a rotating mechanism and a synchro system. The overall assembly is 38 inches high by 33-1/4 inches in diameter. The antenna is mounted by eight 11/16-inch bolts equally spaced on a 11-1/2-inch bolt circle.



66AFM Antenna Assembly, Interior Details

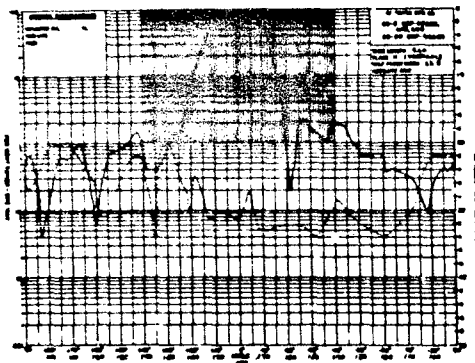
BEAM DATA:
Half-power beamwidth - Vertical - 22.5°.
Horizontal - 10°.
Polarization - Horizontal.

SCAN DATA: The antenna rotates in azimuth in either direction at 10-1/2 revolutions per minute.

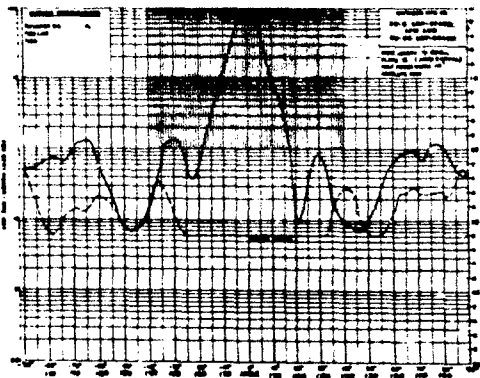
ASSOCIATED EQUIPMENT: Navy Model SO-8 Radar Equipment. Equipment function - surface search.

INSTALLATION: Shipboard.

UNCLASSIFIED



66AFM Vertical Radiation Pattern



66AFM Horizontal Radiation Pattern

MISCELLANEOUS: Antenna 66AFM is similar to and interchangeable with 66AGD, 66AGN, and 66AGO. The 66AFM is the 66AGD modified for step-motor, differential-type, true bearing indication.

COGNIZANT AGENCY: U. S. Navy, BuShips.

MANUFACTURER: Raytheon Mfg. Co., contracts NXsr-41008 and NXss-26786.

STOCK NUMBER: Federal Stock Number F5985-369-5480.

REFERENCES:

- 1) U. S. Navy Bureau of Ships, Instruction

Book for Radar Equipment Navy Model SO-8, NAVSHIPS 91219, (Aug. 9, 1949). UNCLASSIFIED.

- 2) U. S. Navy Bureau of Ships, Antenna Data Sheets, Shipboard Antenna Details, Chapter 5, NAVSHIPS 900121(A), (Jan. 1, 1959). CONFIDENTIAL.
- 3) U. S. Navy, Navy Stock List of the Electronics Supply Office, (Feb. 1958). UNCLASSIFIED.
- 4) Raytheon Drawing I-23A-J1 sub A.



ANTENNA 66AFN

FREQUENCY: UHF and SHF bands, 3000 mc.

TYPE: Probably a cut paraboloidal reflector.

DESCRIPTION: The antenna consists of a parabolic reflector fed by a rotating primary radiator. It includes a drive motor, 5 synchro units, and a pickup dipole (probably an echo-box antenna). The overall assembly is 39 inches high by 35 inches in diameter. Its total weight is 93 pounds. The antenna is mounted by eight 13/16-inch bolts equally spaced on a 16-1/2-inch bolt circle. The antenna is fed by rectangular waveguide.

ASSOCIATED EQUIPMENT: Navy Model SO-2 Radar Equipment. Equipment function - search.

MANUFACTURER: Raytheon Manufacturing Company.

STOCK NUMBER: Federal Stock Number F5985-470-7415.

REFERENCE:

U. S. Navy, Navy Stock List of the Electronics Supply Office, (Feb. 1958). UNCLASSIFIED.



ANTENNA 66AFP

ASSOCIATED EQUIPMENT: Navy Model SM-1 Radar Equipment. Equipment function - search.

REFERENCE:

U. S. Navy Bureau of Ships, Antenna Data Sheets, Shipboard Antenna Details, Chapter 5, NAVSHIPS 900121(A), (Jan. 1, 1959). CONFIDENTIAL.



UNCLASSIFIED

ANTENNA 66AFQ-(*)

FREQUENCY: UHF band, 2700 - 2900 mc.

MANUFACTURER: W-J-L Products Co.

TYPE: Paraboloidal reflector.

STOCK NUMBER: Federal Stock Number F5985-369-5563 (66AHA).

DESCRIPTION: The antenna consists of an 8-foot paraboloidal reflector (66AHA), and a feed assembly. No information is available on the feed assembly except that the antenna includes a 6-element folded dipole array for IFF.

REFERENCES:

- 1) U. S. Navy Bureau of Ships, Antenna Data Sheets, Shipboard Antenna Details, Chapter 5, NAVSHIPS 900121(A), (Jan. 1, 1959). CONFIDENTIAL.
- 2) U. S. Navy, Navy Stock List of the Electronics Supply Office, (Feb. 1958). UNCLASSIFIED.
- 3) Navy Drawing RE 13A9142A (66AHA).

ASSOCIATED EQUIPMENT: Navy Model SM-1 Radar Equipment. Equipment function - search and IFF.

MISCELLANEOUS: The nomenclature 66AFQ-(*) denotes 66AFQ and 66AFQ-1. The 66AHA is part of 66AFQ-1.

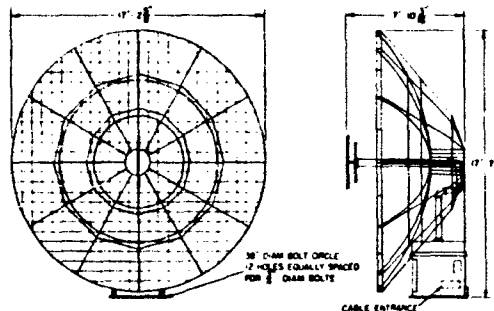


ANTENNA 66AFR

FREQUENCY: VHF band, 212.5 - 222.5 mc.

TYPE: Paraboloidal reflector with a dipole feed.

DESCRIPTION: The antenna consists of a paraboloidal reflector, 17 feet in diameter with a mesh reflecting surface and two feed assemblies. Each feed assembly consists of a dipole and a reflector rod. The IFF feed is mounted with the dipole vertical; the radar feed is mounted with the dipole horizontal. The total weight of the assembly is approximately 1600 pounds. The antenna is mounted by twelve 13/16-inch bolts equally spaced on a 38-inch bolt circle. The radar section is fed by an RG-18/U cable; the IFF, by an RG-10/U cable.



Antenna 66AFR

BEAM DATA: (For radar signal)

- Gain - 18.6 db.
- Half-power beamwidth - Vertical - 17°.
- Horizontal - 22°.
- Polarization - Horizontal (for radar signal).
- Vertical (for IFF signal).

MANUFACTURER: General Electric Co., contracts NXs-1837 and NXss-18731.

STOCK NUMBER: Federal Stock Number F5985-470-7454.

REFERENCES:

- 1) U. S. Navy Bureau of Ships, Antenna Data Sheets, Shipboard Antenna Details, Chapter 5, NAVSHIPS 900121(A), (Jan. 1, 1959). CONFIDENTIAL.
- 2) Edward Ornstein, U. S. Navy Radar Systems Survey, NRL Report 4963, Washington, D. C.: Naval Research Laboratory (Nov. 22, 1957). ASTIA Report No. AD-153211. SECRET.
- 3) U. S. Navy, Navy Stock List of the Electronics Supply Office, (Feb. 1958). UNCLASSIFIED.
- 4) NAVSHIPS 900,116.
- 5) SHIPS 222.

SCAN DATA: The antenna rotates in azimuth through 360° at a variable rate up to 5 revolutions per minute.

INSTALLATION: Shipboard, CL and larger vessels.

ASSOCIATED EQUIPMENT: Navy Models SK-2 and SK-3 Radar Equipment. Equipment function - search. Range - minimum: 1200 yards. Maximum: bombers - 30 miles at 500 feet, 130 miles at 30,000 feet; fighters - 80 miles at 10,000 feet; battleships - 20 miles; destroyers - 18 miles; surfaced submarines - 5 miles.

MISCELLANEOUS: Reference 1) states that Antenna 66AFR is used with SK-2 and SK-3; however, reference 2) states that SK-2 and SK-3 are similar except for the antenna.

COGNIZANT AGENCY: U. S. Navy, BuShips.



UNCLASSIFIED

ANTENNA 66AFS

ASSOCIATED EQUIPMENT: Navy Model Mark 1 Mod 3 Radar Equipment. Equipment function - fire control.

REFERENCE: U. S. Navy Bureau of Ships, Antenna Data Sheets, Shipboard Antenna Details, Chapter 5, NAVSHIPS 900121(A), (Jan. 1, 1959). CONFIDENTIAL.

ANTENNA 66AFT(*)

FREQUENCY: UHF and SHF bands, 2965 - 3019 mc.

STOCK NUMBERS: Federal Stock Numbers F5985-246-4516 (66AFT); F5985-246-4517 (66AFT-1).

TYPE: Paraboloidal reflector.

REFERENCES:

SCAN DATA: The antenna has a motor-driven rotating mechanism.

1) U. S. Navy, Navy Stock List of the Electronics Supply Office, (Feb. 1958). UNCLASSIFIED.

ASSOCIATED EQUIPMENT: Navy Models SF and SF-1 Radar Equipment. Equipment function - search.

2) U. S. Navy Bureau of Ships, Antenna Data Sheets, Shipboard Antenna Details, Chapter 5, NAVSHIPS 900121(A), (Jan. 1, 1959). CONFIDENTIAL.

MISCELLANEOUS: The nomenclature 66AFT-(*) denotes 66AFT and 66AFT-1.

MANUFACTURER: Raytheon Manufacturing Co.

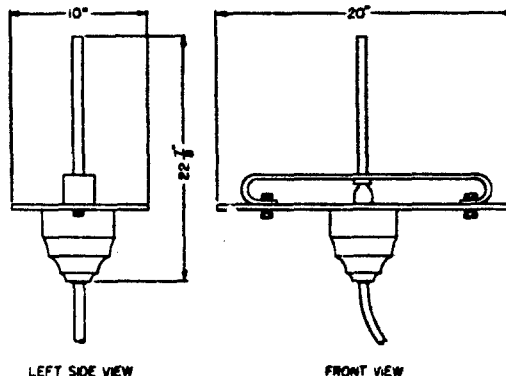


ANTENNA 66AFU(*)

FREQUENCY: VHF band, 157 - 187 mc.

TYPE: Ground-plane antenna.

DESCRIPTION: The antenna consists of a vertical radiating rod supported by a leaf spring above a flat, metal ground plane. The overall assembly is 22-7/8 inches high by 20 inches wide, and the total weight is approximately 55 pounds.



BEAM DATA:

Beam type - Omnidirectional in azimuth. Polarization - Vertical.

INSTALLATION: Shipboard, submarine.

ASSOCIATED EQUIPMENT: Navy Model BN Equipment. Equipment function - IFF.

MISCELLANEOUS: The nomenclature 66AFU-(*) denotes 66AFU and 66AFU-1.

COGNIZANT AGENCY: U. S. Navy.

MANUFACTURER: Ray Jefferson, Inc., Hazeltine Electronics Corp., contract NXsr-53309.

STOCK NUMBERS: 66AFU-1...Navy N16-A-52285-7831; 66AFU...Federal Stock Number F5985-246-4494.

REFERENCES:

- 1) U. S. Navy Bureau of Ships, Antenna Data Sheets, Shipboard Antenna Details, Chapter 5, NAVSHIPS 900121(A), (Jan. 1, 1959). CONFIDENTIAL.
2) U. S. Navy, Navy Stock List of the Electronics Supply Office, (Feb. 1958). UNCLASSIFIED.



ANTENNA EQUIPMENT 66AFV

FREQUENCY: Additional information is available in the secret document listed below as Reference 1.

DESCRIPTION: The reflector is a cut paraboloid approximately 3 feet wide by 2-1/4 feet high. The feed is a dipole with a small reflecting disk.

TYPE: Cut paraboloidal reflector with dipole feed.

UNCLASSIFIED

BEAM DATA: See Reference 1).

SCAN DATA: Antenna is manually rotated and tilted.

INSTALLATION: Shipboard.

ASSOCIATED EQUIPMENT: Radar Equipment Mark 26 Mod 3 and Mark 26 Mod 4. Equipment function - fire control (range only). Range - 700 to 12,000 yards for small aircraft at an altitude of 1000 feet and up to 25,000 yards for ships.

COGNIZANT AGENCY: U. S. Navy, BuOrd.

MANUFACTURERS: RCA Victor (Mark 26 Mod 3) and General Electric Co. (Mark 26 Mod 4).

REFERENCES:

- 1) E. B. Soltwedel, A Radar Directory, Project RAND Research Memorandum RM-2000. Santa Monica, California: The RAND Corporation, (Aug. 13, 1957), ASTIA Report No. AD-150674. SECRET.

- 2) U. S. Navy Bureau of Ordnance, Radar Equipment Mark 26 Models 3 and 4, NAVORD OP 1154, (Aug. 1944). UNCLASSIFIED.



ANTENNA EQUIPMENT 66AFV



ANTENNA 66AGD

FREQUENCY: UHF and SHF bands, 2900 - 3100 mc.

TYPE: Cut paraboloidal reflector with a waveguide horn feed.

DESCRIPTION: The antenna consists of a cut paraboloidal reflector, a "nozzle" type waveguide feed horn, a turret-type protective cover, and a pedestal with a rotating mechanism and a synchro system. The overall assembly is 37-1/2 inches high by 34-1/2 inches in diameter. The antenna is mounted by eight 11/16-inch bolts equally spaced on a 11-1/2-inch bolt circle. The antenna weighs 93 pounds.

BEAM DATA:

Half-power beamwidth - Vertical - 22.5°. Horizontal - 10°. Polarization - Horizontal.

SCAN DATA: The antenna rotates in azimuth in either direction at a rate of 10-1/2 revolutions per minute.

INSTALLATION: Shipboard.

ASSOCIATED EQUIPMENT: Navy Model 80-8 Radar Equipment. Equipment function - search, surface.

MISCELLANEOUS: Antenna 66AGD is similar to and interchangeable with 66AFM, 66AGN and 66AGO. The 66AGD is the original antenna furnished with Navy Model 80-8 Radar Equipment. It has no provision for true bearing indication.

COGNIZANT AGENCY: U. S. Navy, 1 Ships.

MANUFACTURER: Raytheon Mfg. Co., contracts NXsr-41008 and NXss-26786.

STOCK NUMBER: Federal Stock Number F5985-246-4513.

REFERENCES:

- 1) U. S. Navy Bureau of Ships, Instruction Book for Radar Equipment Navy Model 80-8, NAVSHIPS 91219, (Aug. 9, 1949). UNCLASSIFIED.
- 2) U. S. Navy Bureau of Ships, Antenna Data Sheets, Shipboard Antenna Details, Chapter 5, NAVSHIPS 900121(A), (Jan. 1, 1959). CONFIDENTIAL.
- 3) U. S. Navy, Navy Stock List of the Electronics Supply Office, (Feb. 1958). UNCLASSIFIED.
- 4) Raytheon Drawing M-23A-U1 sub A.



ANTENNA 66AGE

FREQUENCY: UHF and SHF bands, 3000 mc.

TYPE: Cut paraboloidal reflector with a waveguide horn feed.

DESCRIPTION: The antenna consists of a cut

paraboloidal reflector fed by a "nozzle" type waveguide horn. The overall assembly is 39-1/2 inches high by 51 inches in diameter.

SCAN DATA: The antenna has a motor-driven rotating mechanism.

UNCLASSIFIED

ASSOCIATED EQUIPMENT: Navy Models SO-1 and SO-2 Radar Equipment. Equipment function - search.

MANUFACTURER: Raytheon Mfg. Co.

STOCK NUMBER: Federal Stock Number F5985-369-5479.

1) U. S. Navy, Navy Stock List of the Electronics Supply Office, (Feb. 1958). UNCLASSIFIED.

2) U. S. Navy Bureau of Ships, Antenna Data Sheets, Shipboard Antenna Details, Chapter 5, NAVSHIPS 900121(A), (Jan. 1, 1959). CONFIDENTIAL.

REFERENCES:

.....

ANTENNA 66AGF

FREQUENCY: SHF band, 9000 - 9160 mc.

TYPE: Cut paraboloidal reflector with a waveguide horn feed.

DESCRIPTION: The antenna consists of a slatted, cut paraboloidal reflector, 6 inches high by 26 inches wide, with a "nozzle" type waveguide feed horn. The horn is fed by RG-51/U waveguide. It is mounted on a retractable tripod base. The antenna is 47 inches high by 30 inches in diameter, and the tripod is 115 inches high. The antenna weighs 125 pounds, and the entire assembly weighs 217 pounds. It is mounted by four 13/32-inch bolts equally spaced on a 13-inch bolt circle.

REFERENCES:

1) U. S. Navy Bureau of Ships, Antenna Data Sheets, Shipboard Antenna Details, Chapter 5, NAVSHIPS 900121(A), (Jan. 1, 1959). CONFIDENTIAL.

2) U. S. Navy, Navy Stock List of the Electronics Supply Office, (Feb. 1958). UNCLASSIFIED.

3) SHIPS 260.

4) BuShips Drawing BE 43F435.

5) Taft-Pierce Drawing M-5A2-W2 sub B.

BEAM DATA:

Gain - 30 db.
Half-power beamwidth - Vertical - 9°.
Horizontal - 3.2°.
Polarization - Horizontal.

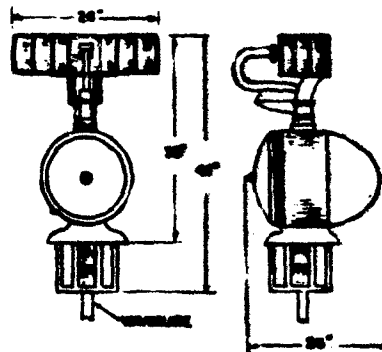
SCAN DATA: The antenna rotates through 360° in azimuth.

INSTALLATION: Shipboard, PT boats and other light craft.

ASSOCIATED EQUIPMENT: Navy Model SO-3 Radar Equipment. Equipment function - search, surface.

MANUFACTURER: Taft-Pierce Manufacturing Co., Inc.

STOCK NUMBER: Federal Stock Number F5985-470-7427.



Antenna 66AGF

.....

ANTENNA 66AGH

FREQUENCY: VHF band, 110 - 165 mc.

TYPE: Ground-plane antenna.

DESCRIPTION: The antenna consists of a vertical radiating rod, 13-5/8 inches long by 2 inches in diameter, and a "steering-wheel" or "doughnut" type ground plane that is made up of a 20-inch-diameter ring supported by three radial spokes. The overall height of the antenna is 22-1/32 inches, and the weight is 8 pounds. A cable assembly that is made up of a WT 49195 plug and a length of 50-ohm coaxial cable is supplied. The antenna base

is tapped with a standard straight pipe thread to receive a 1-inch iron mounting pipe.

BEAM DATA:

Beam type - Omnidirectional in azimuth with a low-angle vertical beam.
Polarization - Vertical.

INSTALLATION: Shipboard.

ASSOCIATED EQUIPMENT: Navy Model BQ Equipment. Equipment function - IFF.

MISCELLANEOUS: The 66AGH is the same as the

UNCLASSIFIED

66AFJ except for the length of the radiating element and frequency band.

MANUFACTURERS: Technical Appliance Corp. and Hazeltine Electronics Div.

STOCK NUMBER: Federal Stock Number N5985-249-4379.

REFERENCES:

- 1) U. S. Navy, Navy Stock List of the Electronics Supply Office, (Feb. 1958). UNCLASSIFIED.
- 2) Hazeltine Drawing MA-1167-2.

.....

ANTENNA 66AGJ

FREQUENCY: VHF band.

ASSOCIATED EQUIPMENT: Navy Model BQ Equipment. Equipment function - IFF.

REFERENCE:

U. S. Navy Bureau of Ships, Antenna Data Sheets, Shipboard Antenna Details, Chapter 5, NAVSHIPS 900121(A), (Jan. 1, 1959). CONFIDENTIAL.

.....

ANTENNA 66AGK

FREQUENCY: UHF and SHF bands, 3000 mc.

TYPE: C^o paraboloid reflector with two waveguide horns.

DESCRIPTION: The antenna consists of a reflector, which is an offset section of a paraboloid, fed by two waveguide horns mounted side by side on either side of the focal point of the reflector. The reflector is constructed of horizontal, aluminum alloy slats, and the waveguide horn assembly is made from a manganese-bronze casting. Two horns are used so that lobe switching can be employed.

COGNIZANT AGENCY: U. S. Navy, BuOrd.

MANUFACTURER: Western Electric Co.

REFERENCES:

- 1) U. S. Navy Bureau of Ordnance, Radar Equipment Mark 27, NAVORD OP 1155, (Aug. 1944). UNCLASSIFIED.
- 2) H.T. Friis, W.D. Lewis, Radar Antennas, Bell System Technical Journal, 26, No. 2, New York, N.Y.: American Telephone and Telegraph Co., (Apr. 1947). UNCLASSIFIED.

BEAM DATA:

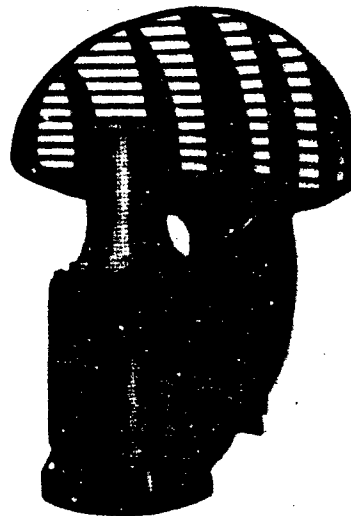
Gain - 20 db.
Half-power beamwidth - Vertical - 17°. Horizontal - 8°.
Beam type - Fan, pointed somewhat upward in elevation.
Polarization - Horizontal.

SCAN DATA: The antenna employs lobe switching in azimuth at a rate of 1720 cycles per minute. The lobe-switching beam separation is approximately 5° and the gain at the crossover point is less than 1 db down from the peak gain. The antenna also has a motor-driven mechanism that rotates the antenna in azimuth at a constant speed of any value up to 12 revolutions per minute.

INSTALLATION: Shipboard, surface vessels.

ASSOCIATED EQUIPMENT: Navy Model Mark 27 Radar Equipment. Equipment function - search, surface; and fire control.

MISCELLANEOUS: The 66AGK is the same as 66AFC. The 66AGK is used with radar for surface vessels and 66AFC is used with submarine radar.



Antenna 66AGK

.....

UNCLASSIFIED

ANTENNA 66AGL

ASSOCIATED EQUIPMENT: Navy Models BR and BR-1 Equipment. Equipment function - LFF.

U. S. Navy Bureau of Ships, Antenna Data Sheets, Shipboard Antenna Details, Chapter 5, NAVSHIPS 900121(A), (Jan. 1, 1959). CONFIDENTIAL.

REFERENCE:



ANTENNA 66AGM

FREQUENCY: UHF band, 510 - 725 mc.

Mark 20 Mod 0 Radar Equipment. Equipment function - fire control.

TYPE: Parabolic-cylinder reflector fed by a dipole array.

MISCELLANEOUS: Antenna 66AGM is probably similar to Antenna 66AFF.

DESCRIPTION: Reference 1) states that the antenna consists of four pairs of dipole radiators and a double parabolic reflector, two pairs of lobe-suppressor dipoles and a small double parabolic reflector, a lobe-switch, and a square wave generator. The antenna assembly is 75 inches high by 46-1/2 inches long by 43 inches wide. It is mounted on Antenna Drive Unit NT 21ACK and is fed by a 53-ohm coaxial cable.

MANUFACTURER: Western Electric Co.

STOCK NUMBER: Federal Stock Number N5985-369-5443.

REFERENCES:

- 1) U. S. Navy, Navy Stock List of the Electronics Supply Office, (Feb. 1958). UNCLASSIFIED.
- 2) Western Electric Drawing ESL-662703 issue 1.

SCAN DATA: The antenna is rotated and tilted by Antenna Drive Unit NT 21ACK.

ASSOCIATED EQUIPMENT: Navy Models Mark 20 and



ANTENNA 66AGN

FREQUENCY: UHF and SHF bands, 2900 - 3100 mc.

interchangeable with 66AFM, 66AGD, and 66AGO. The 66AGN is 66AGD modified for mounting on a retractable tripod.

TYPE: Cut paraboloidal reflector with waveguide horn feed.

COGNIZANT AGENCY: U. S. Navy, BuShips.

DESCRIPTION: The antenna consists of a cut paraboloidal reflector, a "nozzle" type waveguide feed horn, a turret-type protective cover, and a pedestal with a rotating mechanism and a synchro system. The assembly is 30 inches high by 35-1/2 inches in diameter, and its weight is 93 pounds. It is designed to be mounted on Navy Antenna Tripod NT 10207.

MANUFACTURER: Raytheon Manufacturing Company, contracts NXar-41008 and NKas-26786.

STOCK NUMBERS: Federal Stock Number F5985-246-4512, Navy F16-A-59694-1686.

REFERENCES:

- 1) U. S. Navy Bureau of Ships, Instruction Book for Radar Equipment Navy Model 80-8, NAVSHIPS 91219, (Aug. 9, 1949). UNCLASSIFIED.
- 2) U. S. Navy Bureau of Ships, Antenna Data Sheets, Shipboard Antenna Details, Chapter 5, NAVSHIPS 900121(A), (Jan. 1, 1959). CONFIDENTIAL.
- 3) U. S. Navy, Navy Stock List of the Electronics Supply Office, (Feb. 1958). UNCLASSIFIED.
- 4) Raytheon Drawing M-39A-M1 sub A.

BEAM DATA:

Half-power beamwidth - Vertical - 22.5°.

Horizontal - 10°.

Polarization - Horizontal.

SCAN DATA: The antenna rotates in azimuth in either direction at a rate of 10-1/2 revolutions per minute.

INSTALLATION: Shipboard.

ASSOCIATED EQUIPMENT: Navy Model 80-8a Radar Equipment. Equipment function - search, surface.

MISCELLANEOUS: The 66AGN is similar to and



UNCLASSIFIED

ANTENNA 66AGO

FREQUENCY: UHF and SHF bands, 2900 - 3100 mc.

TYPE: Cut paraboloidal reflector with a waveguide horn feed.

DESCRIPTION: The antenna consists of a cut paraboloidal reflector, a "nozzle" type waveguide feed horn, a turret-type protective cover, and a pedestal with a rotating mechanism and a synchro system.

BEAM DATA:

Half-power beamwidth - Vertical - 22.5°.
Horizontal - 10°.

Polarization - Horizontal.

SCAN DATA: The antenna rotates in azimuth in either direction at a rate of 10-1/2 revolutions per minute.

INSTALLATION: Shipboard.

ASSOCIATED EQUIPMENT: Navy Model SO-8 Radar Equipment. Equipment function - search, surface.

MISCELLANEOUS: The 66AGO is similar to and interchangeable with 66AFM, 66AGD, and 66AGN. The 66AGO is 66AGD modified for torque-unit, differential-type, true bearing indication.

COGNIZANT AGENCY: U. S. Navy, BuShips.

MANUFACTURER: Raytheon Manufacturing Company, contracts NXar-41008 and NXss-26786.

STOCK NUMBER: Federal Stock Number F5985-246-4514.

REFERENCES:

- 1) U. S. Navy Bureau of Ships, Instruction Book for Radar Equipment Navy Model SO-8, NAVSHIPS 91219, (Aug. 9, 1949). UNCLASSIFIED.
- 2) U. S. Navy Bureau of Ships, Antenna Data Sheets, Shipboard Antenna Details, Chapter 5, NAVSHIPS 900121(A), (Jan. 1, 1959). CONFIDENTIAL.

.....

ANTENNA 66AGO-1

FREQUENCY: VHF and UHF bands, 100 - 1000 mc.

TYPE: Two dipoles with a convex, cylindrical reflector.

DESCRIPTION: The antenna consists of a hyperbolic-cylinder reflector with a large horizontal dipole and a small vertical dipole mounted in front of the convex side of the reflector. The overall assembly is 25-3/4 inches by 37-7/8 inches by 83 inches. The total weight of the assembly is approximately 275 pounds. Two antenna assemblies, one port and one starboard, are used for each installation.

BEAM DATA:

Polarization - Horizontal and vertical.

INSTALLATION: Shipboard, submarine observation bridge.

ASSOCIATED EQUIPMENT: Navy Model DXA Direction Finder Assembly. Equipment function - counter-measures, direction finding.

COGNIZANT AGENCY: U. S. Navy, BuShips.

MANUFACTURER: L. S. Brach Manufacturing Corp., contracts NXar-81465 and NXar-85042.

REFERENCES:

- 1) U. S. Navy, Navy Stock List of the Electronics Supply Office, (Feb. 1958). UNCLASSIFIED.
- 2) SHIPS 384: Technical Manual for Model DXA Direction Finder Assembly.



Antenna 66AGO-1

.....

ANTENNA 66AGP

FREQUENCY: UHF and SHF bands, 3000 mc;
VSWR < 1.3.

TYPE: Modified paraboloidal reflector with a horn feed.

DESCRIPTION: The antenna consists of a shaped paraboloidal reflector, 4 feet in diameter and 9 inches deep, a bowl-shaped shield covering

the lower half of the reflector, and a rectangular waveguide horn with an aperture 4 inches by 8 inches. The feed horn, which projects through the shield, is tilted upward 33° from horizontal.

BEAM DATA:

Gain - 23 db.
Half-power beamwidth - Horizontal - 5-1/2°.

UNCLASSIFIED

Side lobe attenuation - Horizontal - 0.99%.
Beam type - Cas2 from 24° to 72° in azimuth with the maximum gain on the horizon 40 db below the peak gain.
Polarization - Horizontal.

SCAN DATA: The antenna rotates through 360° in azimuth at a rate of 12 revolutions per minute.

INSTALLATION: Shipboard.

ASSOCIATED EQUIPMENT: Navy Model SO-11 Radar Equipment. Equipment function - search, air.

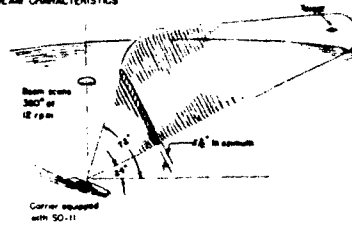
MANUFACTURER: Raytheon Manufacturing Co.

REFERENCES:

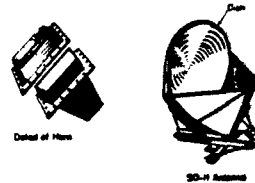
1) U. S. Navy Bureau of Ships, Antenna Data Sheets, Shipboard Antenna Details, Chapter 5, NAVSHIPS 900121(A), (Jan. 1, 1959). CONFIDENTIAL.

2) Antenna Catalog, Report No. 1330. Cambridge, Mass.: Radiation Laboratory, Massachusetts Institute of Technology, (Oct. 8, 1945). MIT 45-10. UNCLASSIFIED.

SCAN CHARACTERISTICS



SCANNER WITH ANTENNA



Antenna 66AGP

ANTENNA 66AGQ

FREQUENCY: UHF and SHF bands, 3000 mc.

TYPE: Paraboloidal reflector fed by a waveguide horn.

DESCRIPTION: The antenna consists of a paraboloidal reflector with a "nozzle" type waveguide feed horn. The assembly is approximately 43 inches high by 48 inches wide by 48 inches deep. It is mounted on a pedestal and fed by waveguide.

SCAN DATA: The antenna has a motor-driven rotating mechanism.

ASSOCIATED EQUIPMENT: Navy Model SO-1a Radar Equipment. Equipment function - search.

MANUFACTURER: Raytheon Manufacturing Co.

STOCK NUMBER: Federal Stock Number F5840-567-8832.

REFERENCES:

- 1) U. S. Navy, Navy Stock List of the Electronics Supply Office, (Feb. 1958). UNCLASSIFIED.
- 2) Raytheon Drawing M-12A1-V111 sub D.

ANTENNA 66AGR(*)

ASSOCIATED EQUIPMENT: Navy Models SO-a and SO-13 Radar Equipment. Equipment function - search.

MISCELLANEOUS: The nomenclature 66AGR-(*) denotes 66AGR and 66AGR-1. The 66AGR-1 is not normally used with Navy Model SO-a Radar

Equipment.

REFERENCE:

U. S. Navy Bureau of Ships, Antenna Data Sheets, Shipboard Antenna Details, Chapter 5, NAVSHIPS 900121(A), (Jan. 1, 1959). CONFIDENTIAL.

ANTENNA 66AGS

FREQUENCY: SHF band, 9000 - 9160 mc.

TYPE: Cut paraboloidal reflector fed by a waveguide horn.

DESCRIPTION: The antenna consists of a slatted, cut paraboloidal reflector, 5 inches high by 48 inches wide, with a "nozzle" waveguide feed.

BEAM DATA:

Gain - 32 db.
Half-power beamwidth - Vertical - 13°. Horizontal - 1.5°. Polarization - Horizontal.

SCAN DATA: The antenna rotates in azimuth through 360° at a rate of approximately 6 revolutions per minute.

UNCLASSIFIED

INSTALLATION: Shipboard, PC boats and other light craft.

ASSOCIATED EQUIPMENT: Navy Model SO-4 Radar Equipment. Equipment function - search, surface.

COGNIZANT AGENCY: U. S. Navy, BuShips.

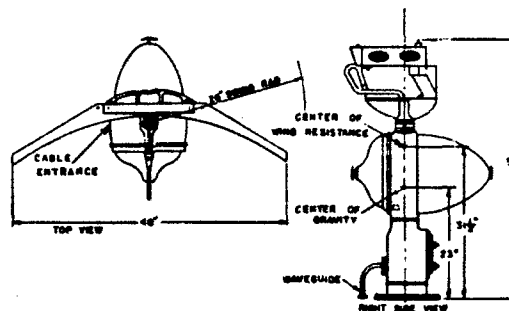
MANUFACTURER: Raytheon Manufacturing Co.

STOCK NUMBER: Federal Stock Number F5985-470-7428

REFERENCES:

- 1) U. S. Navy Bureau of Ships, Antenna Data Sheets, Shipboard Antenna Details, Chapter 5, NAVSHIPS 900121(A), (Jan. 1, 1959). CONFIDENTIAL.
- 2) U. S. Navy, Navy Stock List of the Electronics Supply Office, (Feb. 1958). UNCLASSIFIED.
- 3) NAVSHIPS 900,321(A).

- 4) BuShips Drawing RE 43F362.
- 5) Raytheon Drawing PA-9A-U17, M-9A-X9 sub A.



Antenna 66AGS

ANTENNA EQUIPMENT 66AGT

FREQUENCY: SHF band, X-band.

TYPE: Cut paraboloidal reflector with a horn feed.

DESCRIPTION: The reflector is an elliptically shaped, cut paraboloid of open-grate construction. It is 6 feet high by 1-1/2 feet wide by 2-1/2 feet deep. The feed is a waveguide horn mounted at the focal point of the reflector. The antenna weighs 95 pounds.

BEAM DATA:

Gain - 37 db.
Half-power beamwidth - Vertical - 1.2°. Horizontal - 4.5°.
Side lobe attenuation - At least 20 db.
Beam type - Beavertail.
Polarization - Vertical.

SCAN DATA: The antenna mechanically scans in the vertical plane over an angle of 12° at a rate of 2 scans per second. The azimuth position is also changed mechanically.

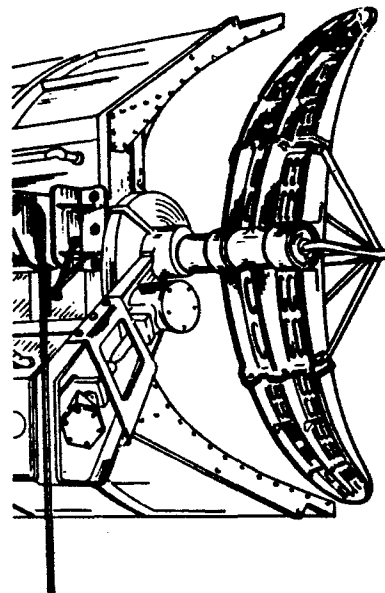
INSTALLATION: Shipboard.

ASSOCIATED EQUIPMENT: Radar Equipment Mark 22 Mod 1. Equipment function - fire control.

MISCELLANEOUS: Radar Equipment Mark 22 Mod 1 is auxiliary equipment used in conjunction with Radar Equipment Mark 12. It furnishes elevation and range information on low-angle targets.

COGNIZANT AGENCY: U. S. Navy, BuOrd.

MANUFACTURER: Western Electric Co., contract NOrd-9385.



Antenna 66AGT

REFERENCES:

- 1) Bureau of Ordnance, Instruction Book for Radar Equipment Mark 22 Model 1, OP 1775, (May 1946). UNCLASSIFIED.
- 2) Western Electric Specification D-15-1711.
- 3) Western Electric Assembly Drawing BXK-35491.

UNCLASSIFIED

ANTENNA 66AGU-(*)

FREQUENCY: UHF and SHF bands, 2900 - 3100 mc.

MANUFACTURER: Raytheon Manufacturing Co.

TYPE: Paraboloidal reflector.

STOCK NUMBER: Federal Stock Number N5840-246-4505 (66AGU-1).

SCAN DATA: The antenna has a motor-driven rotating mechanism.

REFERENCES:

ASSOCIATED EQUIPMENT: Navy Models SO, SO-a, and SO-15 Radar Equipment. Equipment function - search.

1) U. S. Navy, Navy Stock List of the Electronics Supply Office, (Feb. 1958). UNCLASSIFIED.

2) Raytheon Drawing M-87A-20 sub O.

MISCELLANEOUS: The nomenclature 66AGU-(*) denotes 66AGU and 66AGU-1. The 66AGU-1 is normally used with Navy Model SO-a Radar Equipment.

.....

ANTENNA 66AGW

FREQUENCY: VHF band.

Equipment. Equipment function - search and IFF.

TYPE: Paraboloidal reflector with a dipole feed.

MISCELLANEOUS: The 66AGW is the same as 66AGX except for frequency.

DESCRIPTION: The antenna consists of a paraboloidal reflector fed by a dipole. The antenna is mounted on a welded steel pedestal. The antenna is fed by an RG-8/U cable for IFF and an RG-19/U cable for radar.

MANUFACTURER: General Electric Company.

REFERENCE:

U. S. Navy Bureau of Ships, Antenna Data Sheets, Shipboard Antenna Details, Chapter 5, NAVSHIPS 900121(A), (Jan. 1, 1959). CONFIDENTIAL.

SCAN DATA: The antenna has a motor-driven rotating mechanism.

ASSOCIATED EQUIPMENT: Navy Model SK-1M Radar

.....

ANTENNA 66AGX

FREQUENCY: VHF band, 195 - 205 mc.

MISCELLANEOUS: The 66AGX is the same as 66AGW except for frequency.

TYPE: Paraboloidal reflector with a dipole feed.

MANUFACTURER: General Electric Company.

DESCRIPTION: The antenna consists of a paraboloidal reflector fed by a dipole. The antenna is mounted on a welded steel pedestal. The overall assembly is 5 feet high by 15 feet long by 4 feet 4-1/4 inches wide. The antenna is fed by an RG-8/U cable for IFF and an RG-19/U cable for radar.

STOCK NUMBER: Federal Stock Number F5985-369-5580.

REFERENCES:

1) U. S. Navy, Navy Stock List of the Electronics Supply Office, (Feb. 1958). UNCLASSIFIED.

SCAN DATA: The antenna has a motor-driven rotating mechanism.

2) General Electric Drawing T-7662873 rev 0.

ASSOCIATED EQUIPMENT: Navy Model SK-1M Radar Equipment. Equipment function - search and IFF.

.....

ANTENNA 66AGY-(*)

FREQUENCY: SHF band, 9000 - 9160 mc.

reflector with a feed assembly consisting of a waveguide-fed dipole. The reflector is 24 inches in diameter. The antenna is enclosed in a plastic radome, 31-1/8 inches in diameter, and is mounted by 8 holes for 3/8-inch bolts equally spaced on a 16-1/2-inch bolt circle.

TYPE: Paraboloidal reflector with a dipole feed.

DESCRIPTION: The antenna is a paraboloidal

UNCLASSIFIED

BEAM DATA:

Gain - 33.5 db.
Half-power beamwidth - Vertical - 3.8°. Horizontal - 3.8°. Polarization - Horizontal.

SCAN DATA: The antenna rotates in azimuth through 360° at a rate of 6 revolutions per minute.

INSTALLATION: Shipboard, DE and larger vessels.

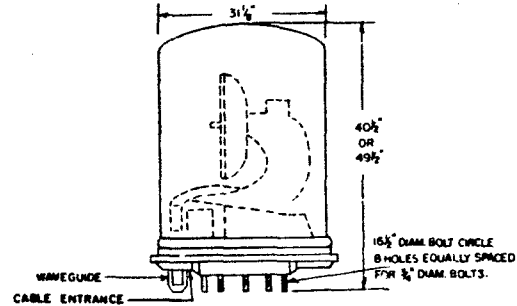
ASSOCIATED EQUIPMENT: Navy Models SU and SU-1 Radar Equipment. Equipment function - search, surface. Range - maximum, 15 miles for 2200-ton DD; minimum, 400 yards.

MISCELLANEOUS: The nomenclature 66AGY-(*) denotes 66AGY and 66AGY-1. The two models are the same except for the height of the radome. The 66AGY radome is 40-1/2 inches high and the 66AGY-1 radome is 49-1/2 inches high.

COGNIZANT AGENCY: U. S. Navy, BuShips.

MANUFACTURER: Submarine Signal Co., contracts NKss-26593 and NKss-33744.

STOCK NUMBERS: Federal Stock Number F5985-408-8696 (66AGY) and Federal Stock Number F5985-408-8697 (66AGY-1).



Antenna 66AGY

REFERENCES:

- 1) U. S. Navy Bureau of Ships, Antenna Data Sheets, Shipboard Antenna Details, Chapter 2, NAVSHIPS 900121(A), (Jan. 1, 1959). CONFIDENTIAL.
2) U. S. Navy, Navy Stock List of the Electronics Supply Office, (Feb. 1958). UNCLASSIFIED.
3) SHIPS 313: Instruction Book for Radar Equipment Navy Model SU.
4) NAVSHIPS 900,882: Instruction Book for Radar Equipment Navy Model SU-1.

ANTENNA 66AGZ-(*)

FREQUENCY: VHF and UHF bands, 175 - 770 mc.

TYPE: Conical antenna.

DESCRIPTION: The antenna is a modified conical dipole and is fed by a 52-ohm coaxial cable. The equipment includes an r-f monitoring unit.

BEAM DATA: Polarization - Vertical, 45°, or horizontal, depending upon mounting position.

ASSOCIATED EQUIPMENT: Navy Models TDY and X-TDY Radio Transmitting Equipment. Equipment function - probably communications.

MISCELLANEOUS: The nomenclature 66AGZ-(*) denotes 66AGZ and 66AGZ-1. The 66AGZ is 26-1/2 inches wide by 31 inches high and is mounted by means of four 9/16-inch holes located in the corners of a 6-1/2-inch square; 66AGZ-1 is 28-1/2 inches in diameter by 38 inches high and is mounted on a 2-3/8-inch

pipe with 2 inches of 11-1/2 thread (American Standard).

MANUFACTURER: General Electric Company.

STOCK NUMBERS: Federal Stock Number F5985-369-5380 (66AGZ) and Federal Stock Number F5985-369-5381 (66AGZ-1).

REFERENCES:

- 1) U. S. Navy, Navy Stock List of the Electronics Supply Office, (Feb. 1958). UNCLASSIFIED.
2) General Electric Drawing T-7663456 rev 2, (66AGZ).
3) General Electric Drawing SK-69083-12-1 rev 0, (66AGZ-1).
4) U. S. Navy Specification RE 13A5540 and RE 9256.

ANTENNA 66AHA

This antenna is part of 66AEZ-1 and 66AFQ-1.

UNCLASSIFIED

ANTENNA 66AHE

FREQUENCY: VHF band, 215 - 225 mc.

TYPE: Mattress antenna.

DESCRIPTION: The antenna consists of 12 dipoles mounted in front of a flat-screen reflector. The antenna is 69 inches high by 152 inches wide by 31-11/16 inches deep. It has a turning radius of 80-1/8 inches. It weighs 251 pounds and mounts on NT 21ACP antenna pedestal which weighs 428 pounds.

BEAM DATA:

Gain - 22 db.

Half-power beamwidth - Vertical - 50°.
Horizontal - 20°

Polarization - Horizontal.

SCAN DATA: The antenna rotates 360° in azimuth at a rate of either 1-1/4 or 7 revolutions per minute.

TUNING/MATCHING DEVICES: Bazookas are used to match the antenna to a 52-ohm cable.

INSTALLATION: Shipboard, DD and larger vessels.

ASSOCIATED EQUIPMENT: Navy Models SR and SR-a Radar Equipment. Equipment function - search, air. Range - maximum, 8 miles for 2200-ton DD and 50 miles for 20-square meter aircraft; minimum, 750 yards.

MANUFACTURERS: Daunt Manufacturing Co., and Westinghouse Electric Corporation.

STOCK NUMBER: Federal Stock Number F5985-369-5431.

REFERENCES:

- 1) U. S. Navy Bureau of Ships, Antenna Data Sheets, Shipboard Antenna Details, Chapter 5, NAVSHIPS 900121(A), (Jan. 1, 1959). CONFIDENTIAL.
- 2) U. S. Navy, Navy Stock List of the Electronics Supply Office, (Feb. 1958). UNCLASSIFIED.
- 3) Westinghouse Drawing 7611790.



ANTENNA 66AHF

FREQUENCY: VHF band, 175 - 205 mc.

TYPE: Mattress antenna.

DESCRIPTION: The antenna consists of 12 dipoles mounted in front of a flat-screen reflector. The antenna is 72 inches high by 180 inches wide by 32-13/16 inches deep and has a turning radius of 90-1/2 inches. It weighs 272 pounds and mounts on NT 21ACP antenna pedestal which weighs 428 pounds.

BEAM DATA:

Gain - 22 db.

Half-power beamwidth - Vertical - 50°.
Horizontal - 20°.

Polarization - Horizontal.

SCAN DATA: The antenna rotates 360° in azimuth at a rate of either 1-1/4 or 7 revolutions per minute.

TUNING/MATCHING DEVICES: Bazookas are used to match the antenna to a 52-ohm cable.

INSTALLATION: Shipboard, DD and larger vessels.

ASSOCIATED EQUIPMENT: Navy Models SR and SR-a Radar Equipment. Equipment function - search, air. Range - maximum, 8 miles for 2200-ton DD and 50 miles for 20-square-meter aircraft; minimum, 750 yards.

MANUFACTURERS: Daunt Manufacturing Co., and Westinghouse Electric Corporation.

STOCK NUMBER: Federal Stock Number F5985-296-1042.

REFERENCES:

- 1) U. S. Navy Bureau of Ships, Antenna Data Sheets, Shipboard Antenna Details, Chapter 5, NAVSHIPS 900121(A), (Jan. 1, 1959). CONFIDENTIAL.
- 2) U. S. Navy, Navy Stock List of the Electronics Supply Office, (Feb. 1958). UNCLASSIFIED.
- 3) Westinghouse Drawing 7611790.



ANTENNA GROUP 66AHG

MAJOR COMPONENTS: 1 66AHG-LE antenna section, 1 66AHG-LC antenna section, 1 66AHG-RC antenna section, and 1 66AHG-RE antenna section.

FREQUENCY: VHF band, 175 - 205 mc.

TYPE: Collinear array of dipoles.

DESCRIPTION: The antenna is made up of four sections, 66AHG-LE, 66AHG-LC, 66AHG-RC, and 66AHG-RE. Each section consists of a dipole, a mounting plate, a matching transformer, and insulating bushings. The four sections are mounted on the SR radar antenna.

UNCLASSIFIED

TUNING/MATCHING DEVICES: Bazookas are used to match the antenna to a 52-ohm cable.

INSTALLATION: Shipboard, DD and larger vessels.

ASSOCIATED EQUIPMENT: Navy Mark 3 IFF Equipment
Equipment function - IFF.

MANUFACTURERS: Daunt Manufacturing Co., and Westinghouse Electric Corporation.

STOCK NUMBERS: 66AHG...Federal Stock Number N5985-470-7471; 66AHG-LE...Federal Stock

Number N5985-244-5404; 66AHG-LC...Federal Stock Number N5985-244-5407; 66AHG-RC... Federal Stock Number N5985-244-5405; 66AHG-RE...Federal Stock Number N5985-244-5403.

REFERENCES:

- 1) U. S. Navy, Navy Stock List of the Electronics Supply Office, (Feb. 1958). UNCLASSIFIED.
- 2) Westinghouse Drawings T-7611790-4 sub 3, T-7611519 sub 2, and T-7611520 sub 2.

.....
ANTENNA KIT 66AHH

MAJOR COMPONENTS: 1 66AHH-LE antenna section, 1 66AHH-LC antenna section, 1 66AHH-RC antenna section, and 1 66AHH-RE antenna section.

FREQUENCY: Orange band, Mark 3.

TYPE: Array of dipoles.

DESCRIPTION: The antenna is made up of four sections, 66AHH-LE, 66AHH-LC, 66AHH-RC, and 66AHH-RE. Each section consists of two dipoles, a mounting plate, a matching transformer, and insulating bushings. The four sections are mounted on the SR radar antenna.

TUNING/MATCHING DEVICES: Bazookas are used to match the antenna to a 52-ohm cable.

INSTALLATION: Shipboard, DD and larger vessels.

ASSOCIATED EQUIPMENT: Navy Mark 3 IFF Equipment.
Equipment function - IFF.

MANUFACTURERS: Daunt Manufacturing Co., and Westinghouse Electric Corporation.

STOCK NUMBER: Federal Stock Number N5985-369-5634.

REFERENCES:

- 1) U. S. Navy, Navy Stock List of the Electronics Supply Office, (Feb. 1958). UNCLASSIFIED.
- 2) Westinghouse Drawings T-7611790 sub 3, T-7611519 sub 2, and T-7611520 sub 2.

.....
ANTENNA GROUP 66AHJ

MAJOR COMPONENTS: 1 66AHJ-LE antenna section, 1 66AHJ-LC antenna section, 1 66AHJ-RC antenna section, and 1 66AHJ-RE antenna section.

TYPE: Array of dipoles.

DESCRIPTION: The antenna is made up of four sections, 66AHJ-LE, 66AHJ-LC, 66AHJ-RC, and 66AHJ-RE. Each section consists of three dipoles, a mounting plate, a matching transformer, and insulating bushings. The four sections are mounted on the SR radar antenna.

TUNING/MATCHING DEVICES: Bazookas are used to match the antenna to a 52-ohm cable.

INSTALLATION: Shipboard, DD and larger vessels.

ASSOCIATED EQUIPMENT: Navy Mark 4 IFF Equipment
Equipment function - IFF

MISCELLANEOUS: The information in Reference 1) is incomplete and disorganized. The description above is believed to be correct.

MANUFACTURERS: Daunt Manufacturing Co., and Westinghouse Electric Corporation.

STOCK NUMBERS: 66AHJ...Federal Stock Number N5985-369-5628; 66AHJ-LC...Federal Stock Number N5985-507-9559; 66AHJ-RC...Federal Stock Number N5985-369-5439; 66AHJ-RE... Federal Stock Number N5985-695-4315.

REFERENCES:

- 1) U. S. Navy, Navy Stock List of the Electronics Supply Office, (Feb. 1958). UNCLASSIFIED.
- 2) Westinghouse Drawings 7611791, T-7611495-G2, T-761145-G1, and T-7611486-G1.

.....
ANTENNA 66AHK

FREQUENCY: VHF band, 175 - 225 mc.

TYPE: Coaxial dipole.

UNCLASSIFIED

DESCRIPTION: The antenna is a coaxial dipole formed from a length of RG-8/U cable for folding back the outer conductor to expose one-quarter wavelength of the inner conductor which then functions as the upper half of the dipole. The outer conductor is connected to a quarter-wavelength coaxial sleeve which functions as the lower half of the dipole. The overall length of the antenna is 46-3/8 inches.

INSTALLATION: Shipboard, DD and larger vessels.

ASSOCIATED EQUIPMENT: Navy Model SR Radar

Equipment. Equipment function - test (echo box).

MANUFACTURER: Westinghouse Electric Corporation.

STOCK NUMBER: Federal Stock Number F5985-254-7130.

REFERENCES:

- 1) U. S. Navy, Navy Stock List of the Electronics Supply Office, (Feb. 1958). UNCLASSIFIED.
- 2) Westinghouse Drawing T-7613639 sub O.

.....
ANTENNA 66AHL

FREQUENCY: VHF band, 175 - 225 mc.

TYPE: Mattress antenna.

DESCRIPTION: The antenna consists of four dipoles mounted in front of a flat-screen reflector. The antenna is 48 inches high by 102 inches wide. It is mounted on the SC or SC-1 radar antenna. A 52-ohm RC-10/U cable is used to feed the antenna.

TUNING/MATCHING DEVICES: A tuning stub is used in conjunction with the feed line.

INSTALLATION: Shipboard.

ASSOCIATED EQUIPMENT: Navy Models SC and SC-1 Radar Equipment. Equipment function - IFF.

MANUFACTURER: Pratt Industries, Inc.

STOCK NUMBER: Federal Stock Number F5985-369-5329.

REFERENCES:

- 1) U. S. Navy, Navy Stock List of the Electronics Supply Office, (Feb. 1958). UNCLASSIFIED.
- 2) U. S. Navy Drawings RA 66F258 and RE 13A751.

.....
ANTENNA 66AHM

FREQUENCY: UHF band, 350 - 615 mc.

TYPE: Probably a sleeve dipole with a flat-screen reflector.

DESCRIPTION: The antenna is 12 inches high by 18 inches wide by 5-1/8 inches deep. It can be mounted with the dipole horizontal, at a 45° angle, or vertical. The feed is a 50-ohm transmission line.

BEAM DATA:

Polarization - Vertical, horizontal, or 45° depending on mounting position.

INSTALLATION: Shipboard,

ASSOCIATED EQUIPMENT: Navy Models CXFR and TDY Radio Transmitting Equipment.

MISCELLANEOUS: The 66AHM and 66AHN are similar but are designed for different frequency ranges.

STOCK NUMBER: Federal Stock Number N5985-369-5391.

REFERENCE:

U. S. Navy, Navy Stock List of the Electronics Supply Office, (Feb. 1958). UNCLASSIFIED.

.....
ANTENNA 66AHN

FREQUENCY: UHF band, 615 - 800 mc.

TYPE: Probably a sleeve dipole with a flat-screen reflector.

DESCRIPTION: The antenna is 10-1/2 inches high by 14 inches wide by 5-1/8 inches deep. It can be mounted with the dipole horizontal, at a 45° angle, or vertical. The feed is a 50-ohm transmission line.

BEAM DATA:

Polarization - Vertical, horizontal, or 45° depending on mounting position.

INSTALLATION: Shipboard.

ASSOCIATED EQUIPMENT: Navy Model CXFR and TDY Radio Transmitting Equipment.

UNCLASSIFIED

MISCELLANEOUS: The 66AHN and 66AHM are similar but are designed for different frequency ranges.

MANUFACTURER: Diamond Instrument Co.

STOCK NUMBER: Federal Stock Number N5985-408-8657.

REFERENCES:

- 1) U. S. Navy, Navy Stock List of the Electronics Supply Office, (Feb. 1958). UNCLASSIFIED.
- 2) U. S. Navy Specification RE 9402.
- 3) Diamond Instrument Drawing M-2902 sub O.

.....

ANTENNA 66AHP

FREQUENCY: UHF band, 2800 mc.

TYPE: Paraboloidal reflector with waveguide feed.

DESCRIPTION: The antenna consists of a paraboloidal reflector, 8 feet in diameter with a focal length of 27.5 inches, fed by a two-dipole, waveguide-fed, nutating feed assembly. The antenna is mounted by twelve 1-1/16-inch bolts. The overall assembly is 136 inches high by 106 inches wide by 106 inches deep, and the total weight is 2200 pounds.

BEAM DATA:

Gain - 34.6 db.
Half-power beamwidth - Vertical - 2.7°
Horizontal - 2.7°
Polarization - Horizontal.

SCAN DATA: The antenna rotates in azimuth through 360° in either direction at a rate of 6 revolutions per minute. The feed nutates in a circle, 1 inch in diameter and forms a conical scan with a cone angle of 2°.

INSTALLATION: Shipboard, surface vessels.

ASSOCIATED EQUIPMENT: Navy Model SP Radar Equipment. Equipment function - search, surface; and fire control.

MANUFACTURER: General Electric Company.

STOCK NUMBERS: Federal Stock Number F5977-369-5563 (without spares), and Federal Stock Number F5985-665-0533 (with spares).

REFERENCES:

- 1) U. S. Navy, Navy Stock List of the Electronics Supply Office, (Feb. 1958). UNCLASSIFIED.
- 2) General Electric Drawing 8009537 rev O.
- 3) NAVSHIPS 900,534: Instruction Book for Navy Model SP Radar Equipment.
- 4) Antenna Catalog, Report No. 1330. Cambridge, Mass.: Radiation Laboratory, Massachusetts Institute of Technology, (Oct. 8, 1945). MIT 45-10. UNCLASSIFIED.

.....

ANTENNA 66AHQ(*)

FREQUENCY: UHF band, 2000 mc.

TYPE: Paraboloidal reflector with waveguide feed.

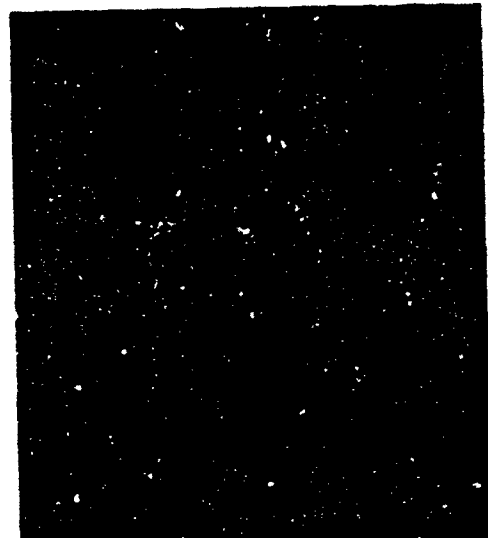
DESCRIPTION: The antenna consists of a paraboloidal reflector, 6 feet in diameter, fed by a waveguide assembly. The reflector has an open mesh surface. The antenna is mounted by twelve 1-1/16-inch bolts. The overall assembly is 115 inches high by 73 inches wide by 73 inches deep, and the total weight is 1790 pounds.

BEAM DATA:

Gain - 29.5 db.
Half-power beamwidth - Vertical - 3.6°
Horizontal - 3.6°
Polarization - Horizontal.

SCAN DATA: The antenna rotates in azimuth through 360° in either direction at 6 revolutions per minute.

INSTALLATION: Shipboard, surface vessels.



Antenna 66AHQ

UNCLASSIFIED

ASSOCIATED EQUIPMENT: Navy Model SP Radar Equipment. Equipment function - search, surface; and fire control.

9552 (66AHQ-1).

MISCELLANEOUS: The nomenclature 66AHQ-(*) denotes 66AHQ and 66AHQ-1.

REFERENCES:

- 1) U. S. Navy, Navy Stock List of the Electronics Supply Office, (Feb. 1958). UNCLASSIFIED.
- 2) NAVSHIPS 900,534; Instruction Book for Navy Model SP Radar Equipment.

MANUFACTURER: General Electric Company.

STOCK NUMBER: Federal Stock Number F5840-295-

.....

ANTENNA 66AHR

ASSOCIATED EQUIPMENT: Navy Model SO-9 Radar Equipment. Equipment function - search.

U. S. Navy Bureau of Ships, Antenna Data Sheets, Shipboard Antenna Details, Chapter 5, NAVSHIPS 900121(A), (Jan. 1, 1959). CONFIDENTIAL.

REFERENCE:

.....

ANTENNA 66AHS

FREQUENCY: S-band.

ASSOCIATED EQUIPMENT: Navy Model SO-1 Radar Equipment. Equipment function - search.

TYPE: Probably a paraboloidal reflector.

MANUFACTURER: Raytheon Manufacturing Co.

DESCRIPTION: Reference 1) states that the antenna is of the parabolic type and includes a projector with a reflector, and that the antenna is approximately 39-1/2 inches high and 55 inches wide with a turning radius of 25-1/2 inches. The antenna has eight 11/16-inch mounting holes and an adaptor with eight 13/16 inch mounting holes. The equipment includes a torque motor; synchro unit, and echo-box antenna.

STOCK NUMBER: Federal Stock Number F5985-642-7121.

REFERENCES:

- 1) U. S. Navy, Navy Stock List of the Electronics Supply Office, (Feb. 1958). UNCLASSIFIED.
- 2) Western Electric Drawing BXX-21562.

SCAN DATA: The antenna has a motor-driven rotating mechanism.

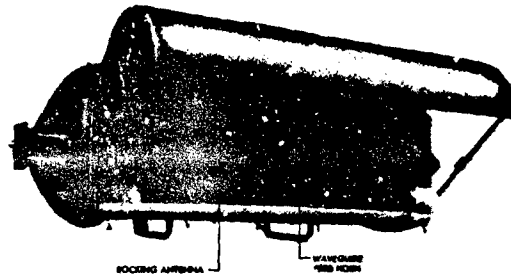
.....

ANTENNA EQUIPMENT 66AHU

FREQUENCY: SHF band, 8740 - 8890 mc.

TYPE: Cut paraboloidal reflector with a horn feed.

DESCRIPTION: The antenna is a reflector made of perforated aluminum. It is an elliptical section of a paraboloid fed by a waveguide horn mounted at the focal point of the cut paraboloid. The entire antenna is enclosed in a hinged cover.



Antenna 66AHU

BEAM DATA:

Half-power beamwidth - Vertical - 3.6°
Horizontal - 0.9°

Beam type - fan.

SCAN DATA: The antenna oscillates in the horizontal plane over a sector of 11.6° at a rate of 10 scans per second. It is manually rotated and tilted.

INSTALLATION: Shipboard.

UNCLASSIFIED

ASSOCIATED EQUIPMENT: Radar Equipment Mark 8 Mod 3 and Mark 13 Mod 0. Equipment function - surface search, and fire control. Range - 40,000 yards.

COGNIZANT AGENCY: U. S. Navy, BuOrd.

MANUFACTURER: Western Electric Co., contract NOrd4748.

STOCK NUMBER: Federal Stock Number 5985-369-5498.

REFERENCES:

- 1) U. S. Navy, BuOrd., Radar Equipment, Mark 13 Mod 0 Instruction Book, OP 1773 (Nov. 1944). UNCLASSIFIED.
- 2) U. S. Navy, BuOrd., Radar Equipment Mark 8 Mod 3, OP 1298, (Aug. 1945). UNCLASSIFIED.
- 3) Western Electric Drawing BXC-21562.
- 4) Western Electric Specification D-152163.

.....

ANTENNA 66AHW

FREQUENCY: UHF band, 510 - 725 mc.

TYPE: Paraboloidal reflector with a dipole feed.

DESCRIPTION: The antenna consists of a paraboloidal reflector with a rotating dipole feed. The overall assembly is 83-3/4 inches high by 81-1/2 inches wide by 45 inches deep. It has six 9/16-inch mounting holes. It is fed by a 50-ohm coaxial cable.

SCAN DATA: The antenna has a conical scan generated by the rotating feed. It also has a motor-driven mechanism that rotates the antenna in azimuth.

ASSOCIATED EQUIPMENT: Navy Model Mark 20 Mod 1 Radar Equipment. Equipment function - fire control (searchlight control).

MISCELLANEOUS: Reference 1) lists Radar Equip-

ment Mark 30 Mod 1 as obsolete; however, Antenna 66AHW is listed as current equipment in Reference 2).

MANUFACTURER: Western Electric Co.

STOCK NUMBER: Federal Stock Number N5985-36-5442.

REFERENCES:

- 1) Edward Ornstein, U. S. Navy Radar Systems Survey, NRL Report 4963. Washington, D.C. Naval Research Laboratory (Nov. 22, 1957). ASTIA Report No. AD-153211. SECRET.
- 2) U. S. Navy, Navy Stock List of the Electronics Supply Office, (Feb. 1958). UNCLASSIFIED.
- 3) Western Electric Drawing BL-417559 issue 1.

.....

ANTENNA 66AHY

FREQUENCY: SHF band, 3000 - 3100 mc.

TYPE: Broadside array of dielectric rods.

DESCRIPTION: The array is made up of 42 tapered polystyrene rods, each 3 feet long, arranged in 14 sections. Each section is a vertical array of 3 rods fed by waveguide. The overall array is 43 inches high by 126 inches wide by 82 inches deep. It mounts on top of Navy Model Mark 34 or Mark 38 Gun Director.

BEAM DATA:

Half-power beamwidth - Vertical - 6°. Horizontal - 2°.

SCAN DATA: The antenna employs electromechanical scanning in azimuth. Thirteen rotating phase shifters cause the beam to scan in azimuth through 29° at a rate of 1C cycles per second.

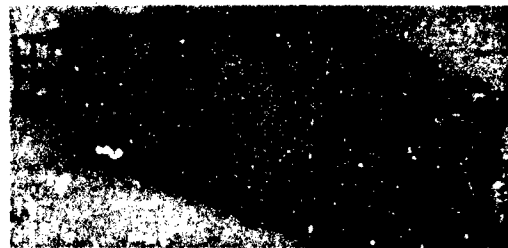
INSTALLATION: Shipboard, CL and larger vessels.

ASSOCIATED EQUIPMENT: Navy Model Mark 8 Mod 2 Radar Equipment. Equipment function - fire control. Maximum range - 30 miles. Minimum range - 50 yards.

MISCELLANEOUS: This antenna is called "The Polyrod Fire Control Antenna" by Bell Laboratories.

MANUFACTURER: Western Electric Co.

STOCK NUMBER: Federal Stock Number N5985-470-7435.



Antenna 66AHY

UNCLASSIFIED

REFERENCES:

- 1) H. T. Friis and W. D. Lewis, Radar Antennas The Bell System Technical Journal, Volume 26, No. 2. New York, N. Y.: American Telephone and Telegraph Company. (April 1947). UNCLASSIFIED.
- 2) U. S. Navy, Navy Stock List of the Electronics Supply Office, (Feb. 1958). UNCLASSIFIED.
- 3) Edward Ornstein, U. S. Navy Radar Systems Survey, NAL Report 4985. Washington, D.C.: Naval Research Laboratory (Nov. 22, 1957). ASTIA Report No. AD-153211. SECRET.
- 4) Western Electric Drawing BK-20439 issue 5.

ANTENNA 66ABZ

FREQUENCY: Probably SHF band, probably 3000 - 3100 mc.

INSTALLATION: Shipboard, CL and larger vessels.

ASSOCIATED EQUIPMENT: Navy Model Mark 8 Mod 2 Radar Equipment. Equipment function - fire control.

REFERENCE:

U. S. Navy Bureau of Ships, Antenna Data Sheets, Shipboard Antenna Details, Chapter 5, NAVSHIPS 900121(A), (Jan. 1, 1959). CONFIDENTIAL.

ANTENNA 66AJA

FREQUENCY: UHF band, 343 - 700 mc; VSWR < 2.4.

TYPE: Sleeve dipole with a small bent reflector.

DESCRIPTION: The antenna consists of a sleeve dipole fed by coaxial cable through a type III balun and mounted in front of a small reflector constructed of sheet metal. The upper and lower thirds of the reflector are bent back about 45° to broaden the pattern in the E-plane while maintaining a good front-to-back ratio. The dipole is about 15 inches long, and the reflector is 18 inches long and about 6 inches high. The antenna is provided with a connector for RG-18/U coaxial cable.

BEAM DATA:

Half-power beamwidth - E-plane - Approximately 50°.

H-plane - Approximately 160°.

Polarization - Vertical or horizontal, depending on antenna orientation.

INSTALLATION: Shipboard.

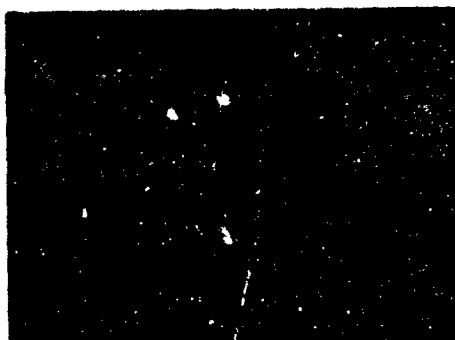
ASSOCIATED EQUIPMENT: TDY-1 shipboard jamming transmitter. Equipment function - countermeasures, jamming.

COGNIZANT AGENCY: U. S. Navy.

STOCK NUMBER: Federal Stock Number N5985-369-5392.

REFERENCES:

Andrew W. Alford, Antennas for ECM, 411-100A. Cambridge, Mass.: Radio Research Laboratory, Harvard University, (Dec. 3, 1945). UNCLASSIFIED.



Antenna 66AJA

ANTENNA 66AJS

FREQUENCY: UHF band, 645 - 800 mc; VSWR < 2.

TYPE: Sleeve dipole with a small bent reflector.

DESCRIPTION: The antenna consists of a sleeve dipole fed by a coaxial cable through a type III balun and mounted in front of a small reflector constructed of sheet metal. The upper

and lower thirds of the reflector are bent back about 45° to broaden the radiation pattern in the E-plane while maintaining a good front-to-back ratio. The dipole and reflector are about 14 inches long. Earlier models were equipped with a 5-foot length of RG-18/U cable, but later models have a connector for RG-18/U cable which is not furnished. The

UNCLASSIFIED

later models are equipped with a plastic nacelle for weather protection.

BEAM DATA:

Half-power beamwidth - E-plane - approximately 50°.

H-plane - approximately 160°.

Polarization - Vertical or horizontal depending on antenna orientation.

INSTALLATION: Shipboard.

ASSOCIATED EQUIPMENT: TDY-1 shipboard jamming transmitter. Equipment function - counter-measures, jamming.

COGNIZANT AGENCY: U. S. Navy.

STOCK NUMBER: Federal Stock Number N5985-369-5397.

REFERENCE:

Andrew W. Alford, Antennas for RCM, 411-100A. Cambridge, Mass.: Radio Research Laboratory, Harvard University, (Dec. 3, 1945). UNCLASSIFIED.



Antenna 66AJB

.....

ANTENNA 66AJC

FREQUENCY: X-band.

TYPE: Probably a cut paraboloidal reflector.

DESCRIPTION: The antenna consists of a radiator and a 38-inch by 86-inch reflector. The overall assembly is 73-1/8 inches high by 86 inches wide by 35-1/4 inches deep. The antenna mounts on three equally spaced mounting pads. It is fed by a waveguide.

ASSOCIATED EQUIPMENT: Navy Model Mark 33 Radar Equipment. Equipment function - fire control.

MANUFACTURER: General Electric Company.

STOCK NUMBER: Federal Stock Number N5985-369-5493.

REFERENCES:

- 1) U. S. Navy, Navy Stock List of the Electronics Supply Office, (Feb. 1958). UNCLASSIFIED.
- 2) GE drawing W-8677252 rev. 1.
- 3) U. S. Navy Specification NE9472.

.....

ANTENNA 66AJE and 66AJF

FREQUENCY: VHF band, 195 - 205 mc (66AJE, radar section); 215 - 225 mc (66AJF, radar section).

TYPE: Mattress antenna.

DESCRIPTION: The two antennas are identical except for frequency. Each antenna consists of a flat, rectangular reflector with three sets of dipoles mounted in front of it. One set of dipoles consists of 6 horizontal dipoles for the radar, another set consists of 4 vertical dipoles for Navy Model M. IFF equipment, and the third set consists of 12 vertical dipoles for a Navy Model BG identification receiver. This assembly is mounted on a pedestal containing a motor drive unit and three synchro units. The antenna is approximately 15 feet wide by 7-1/2 feet high by 3-2/3 feet deep. It has eight 13/16-inch mounting holes equally spaced on a 16-1/2-inch bolt

circle. The antenna is designed for connection to two r-f cables, one RG-18/U and one RG-10/U

BEAM DATA: (Radar section)

Gain - 13.5 db.

Half-power beamwidth - Vertical - 60°. Horizontal - Approximately 20°.

Polarisation - Horizontal.

SCAN DATA: The antenna rotates through 360° in azimuth at a rate of 5 revolutions per minute.

INSTALLATION: Shipboard, DD and larger vessels.

ASSOCIATED EQUIPMENT: Navy Model SC-5 Radar Equipment. Equipment function - search, air. Navy Models BG and M. Equipment. Equipment function - IFF.

UNCLASSIFIED

MISCELLANEOUS: Reference 1) states that the horizontal beamwidth is 17°, while Reference 2) states that it is 22°.

MANUFACTURER: General Electric Company.

STOCK NUMBERS: 66AJE ... Federal Stock Number F5985-349-4906, 66AJF ... Federal Stock Number F5985-510-0003.

REFERENCES:

- 1) U. S. Navy, Navy Stock List of the Electronics Supply Office, (Feb. 1958). UNCLASSIFIED.
- 2) U. S. Navy Bureau of Ships, Antenna Data Sheets, Shipboard Antenna Details, Chapter 5, NAVSHIPS 900121(A), (Jan. 1, 1959). CONFIDENTIAL.
- 3) GE drawing P-7765337 rev. 3.

.....

ANTENNA 66AJH

ASSOCIATED EQUIPMENT: Navy Mark 4 IFF Equipment. Equipment function - IFF.

MANUFACTURER: Contract MKer-60028.

REFERENCE:

U. S. Navy Bureau of Ships, Antenna Data Sheets, Shipboard Antenna Details, Chapter 5, NAVSHIPS 900121(A), (Jan. 1, 1959). CONFIDENTIAL.

.....

ANTENNA EQUIPMENT 66AJJ

FREQUENCY: SHF band, X-band.

TYPE: Paraboloidal reflector with a waveguide, double-dipole feed.

DESCRIPTION: The reflector is a smooth paraboloidal dish with a focal length of 10.6 inches. It is 30 inches in diameter and 5.3 inches deep. The feed consists of a section of waveguide with a double dipole mounted at the end to radiate the energy to the reflector.

BEAM DATA:

Half-power beamwidth - Vertical - 2.5°
Horizontal - 2.5°

Side-lobe attenuation - 40 db.

Beam type - Pencil.

Polarization - Vertical.

SCAN DATA: The feed is rotated at 30 cycles per second. The peak of the resulting beam is 1-1/4" from and rotates about the axis of the parabolic reflector.

INSTALLATION: Shipboard.

ASSOCIATED EQUIPMENT: Radar Equipment Mark 29 Mod 2. Equipment function - fire control. Range - 15,000 yards for aircraft, 30,000 yards for large surface targets.

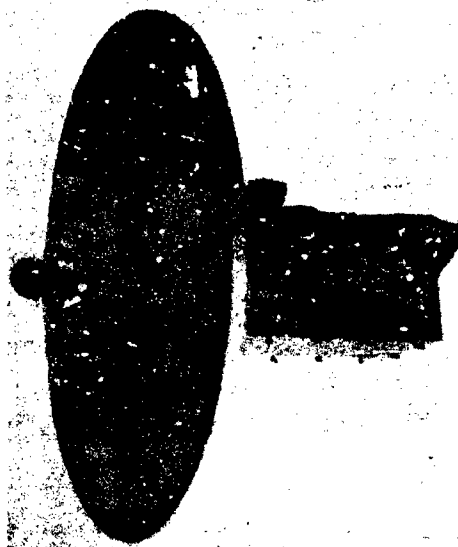
COGNIZANT AGENCY: U. S. Navy, BuOrd.

MANUFACTURER: Wilmotte Manufacturing Company.

STOCK NUMBERS: Federal Stock Numbers - F5985-369-3503 and F5985-503-3085.

REFERENCE:

Bureau of Ordnance, Final Instruction Book for Radar Equipment Mark 29 Model 2, OP 1783, (Dec. 1944). UNCLASSIFIED.



Antenna 66AJJ

.....

UNCLASSIFIED

COGNIZANT AGENCY: U. S. Navy.

MANUFACTURER: General Electric Company.

STOCK NUMBER: Federal Stock Number F5985-369-5426.

REFERENCE:

Andrew W. Alford, Antennas for RCM, 411-100A. Cambridge, Mass.: Radio Research Laboratory, Harvard University, (Dec. 3, 1945). UN-CLASSIFIED.

.....

ANTENNA 66AJN

FREQUENCY: VHF band, 85 - 175 mc; VSWR < 2.

TYPE: Sleeve dipole with flat-screen reflector

DESCRIPTION: The antenna consists of a sleeve dipole fed by RG-18/U through a type III balun and positioned in front of a reflector composed of three parallel, metal rods. The reflector is 6 feet long, and the dipole is somewhat shorter. The overall depth of the antenna is 37-1/2 inches. The reflector may be removed from the antenna if desired.

STOCK NUMBER: Federal Stock Number N5985-369-5382.

REFERENCE:

Andrew W. Alford, Antennas for RCM, 411-100A. Cambridge, Mass.: Radio Research Laboratory, Harvard University, (Dec. 3, 1945). UN-CLASSIFIED.

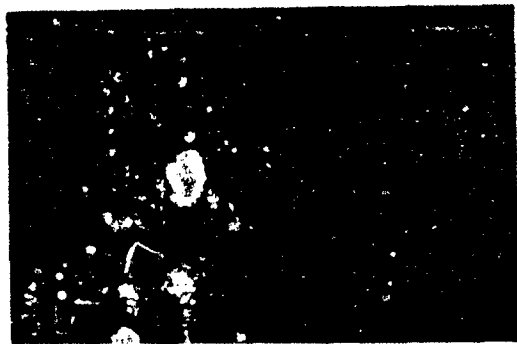
BEAM DATA:

Half-power beamwidth - E-plane - approximately 70°. H-plane - approximately 180°.

Polarization - Vertical or horizontal, depending on antenna orientation.

INSTALLATION: Shipboard.

ASSOCIATED EQUIPMENT: TDY-1 shipboard jamming transmitter. Equipment function - countermeasures, jamming.



Antenna 66AJN

COGNIZANT AGENCY: U. S. Navy.

MANUFACTURERS: General Electric Company and Diamond Instrument Company.

.....

ANTENNA 66AJO

INSTALLATION: Shipboard.

ASSOCIATED EQUIPMENT: Radar Set AN/SPR-1.

REFERENCE:

U. S. Navy Bureau of Ships, Antenna Data Sheets, Shipboard Antenna Details, Chapter 5, NAVSHIPS 900121(A), (Jan. 1, 1959). CONFIDENTIAL.

.....

ANTENNA 66AJ0-1

INSTALLATION: Airborne and shipboard.

ASSOCIATED EQUIPMENT: Radar Set AN/SPR-1 and AN/APR-1.

REFERENCE:

U. S. Navy Bureau of Ships, Antenna Data Sheets, Shipboard Antenna Details, Chapter 5, NAVSHIPS 900121(A), (Jan. 1, 1959). CONFIDENTIAL.

.....

ANTENNA 66AJF

FREQUENCY: SHF band, 3500 mc.

TYPE: Cut paraboloidal reflector with waveguide horn feed.

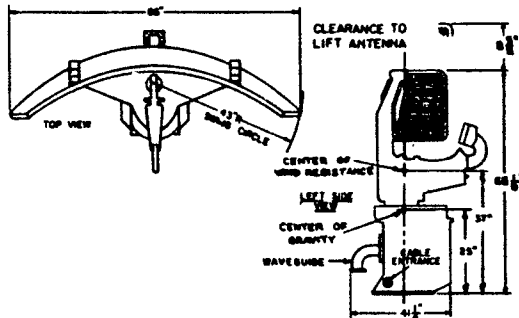
UNCLASSIFIED

DESCRIPTION: The antenna consists of an off-set paraboloidal section of slat-type construction with a "nozzle" waveguide feed. The reflector is 1-1/2 feet high and 7 feet wide. It has eight 13/16-inch mounting holes on a 16-1/2-inch bolt circle.

BEAM DATA:

Gain - 30 db.
Half-power beamwidth - Vertical - 13°
Horizontal - 3°.
Polarization - Horizontal.

SCAN DATA: The antenna rotates in azimuth through 360° at a rate of either 2-1/2 or 5 revolutions per minute. It is also tilttable through 10° in elevation.



Antenna 66AJP

ANTENNA 66AJQ

FREQUENCY: S-band.

TYPE: Paraboloidal reflector with a dipole feed.

DESCRIPTION: Antenna is a perforated-metal paraboloidal reflector 45 inches in diameter with a rotating dipole feed. The feed is enclosed in a weatherproof plastic cover.

BEAM DATA:

Gain - 26 db.
Half-power beamwidth - Vertical - 6.8°
Horizontal - 6.8°.
Side-lobe attenuation - 17 db (one way).

SCAN DATA: A conical scan is produced by rotating the dipole feed about the axis of the reflector at a rate of 30 cycles per second. The peak of the beam rotates about and is 2.25° from the axis of the paraboloid. The resulting conical scan makes the half-power points of the moving beam cover an angle of 11.3° in both the azimuth and elevation planes.

INSTALLATION: Shipboard, CL and larger vessels.

ASSOCIATED EQUIPMENT: Navy Model SG-3 Radar Equipment. Equipment function - search, surface. Maximum range - 20 miles for 2200-ton DD or 20-square-meter aircraft. Minimum range - 200 yards.

COGNIZANT AGENCY: U. S. Navy, BuShips.

MANUFACTURER: Raytheon Manufacturing Co.

STOCK NUMBER: Federal Stock Number F5985-470-7420.

REFERENCES:

- 1) U. S. Navy Bureau of Ships, Antenna Data Sheets, Shipboard Antenna Details, Chapter 3, NAVSHIPS 900121(A), (Jan. 1, 1959). CONFIDENTIAL.
- 2) U. S. Navy, Navy Stock List of the Electronics Supply Office, (Feb. 1958). UNCLASSIFIED.
- 3) Edward Ornstein, U. S. Navy Radar Systems Survey, NRL Report 4963, Washington, D.C.: Naval Research Laboratory (Nov. 22, 1957). ASTIA Report No. AD-153211. SECRET.
- 4) Raytheon drawing M-38A-W2 sub A.

INSTALLATION: Shipboard.

ASSOCIATED EQUIPMENT: Radar Equipment Mark 28 Mod 0, Mark 28 Mod 2, Mark 28 Mod 3. Equipment function - fire control. Range - 60,000 yards.

COGNIZANT AGENCY: U. S. Navy, BuOrd.

REFERENCES:

- 1) Bureau of Ordnance, Radar Equipment for Mark 28 Model 2, OP 1238, (Dec. 1944). UNCLASSIFIED.
- 2) Bureau of Ordnance, Radar Equipment for Mark 28 Model 0, Model 3, OP 1156, (Oct. 1944). UNCLASSIFIED.
- 3) H. T. Friis, W. D. Lewis, Radar Antennas, Bell System Technical Journal, 26, No. 2, New York, N. Y.: American Telephone and Telegraph Co. (April 1947). UNCLASSIFIED.

UNCLASSIFIED

ANTENNA 66AJR

FREQUENCY: UHF band, 850 - 1250 mc.

TYPE: Corner reflector with a sleeve dipole feed.

DESCRIPTION: The antenna consists of a sleeve dipole with a shield and a corner reflector. It has four equally spaced mounting holes in the corners of a square base plate. The dipole is fed by a 50-ohm coaxial cable.

BEAM DATA:

Half-power beamwidth - Vertical - 60°
 Horizontal - 60°
Polarization - Vertical or horizontal.

SCAN DATA: The antenna can be rotated.

ASSOCIATED EQUIPMENT: Navy Models TDY and TDY-1 Radio Transmitting Equipment. Equipment function - countermeasures, jamming.

MANUFACTURER: Diamond Instrument Co., and General Electric Company.

STOCK NUMBER: Federal Stock Number N5985-249-4315.

REFERENCE:

U. S. Navy, Navy Stock List of the Electronics Supply Office, (Feb. 1958). UNCLASSIFIED.



ANTENNA EQUIPMENT 66AJS

FREQUENCY: SHF band, X-band.

TYPE: Paraboloidal reflector.

DESCRIPTION: The reflector is a paraboloid 3 feet in diameter with a focal length of 10.6 inches. The antenna has a Cutler type of nutating waveguide feed.

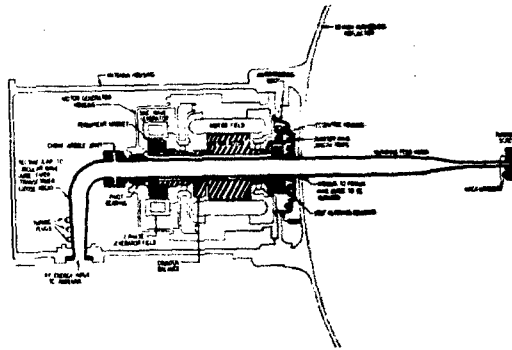
BEAM DATA:

Gain - 33 db.
Half-power beamwidth - Vertical - $3-1/4^\circ$
 Horizontal - $3-1/4^\circ$
Side-lobe attenuation - 25 db.
Beam type - Pencil.

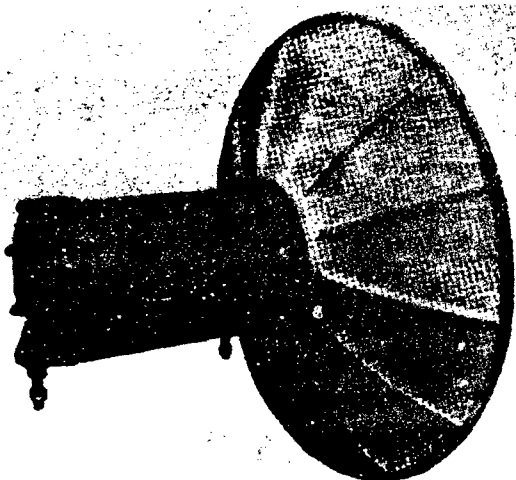
SCAN DATA: Conical scan is produced by nutating the feed about the axis of the reflector at 29 cycles per second. The peak of the beam is $3/4^\circ$ from and rotates about the axis of the paraboloidal reflector. The antenna can be rotated through $\pm 370^\circ$ in azimuth from the director's zero line; it can be tilted vertically from $+90^\circ$ to -15° from an artificial

horizon established by the director's gyroscopic controls.

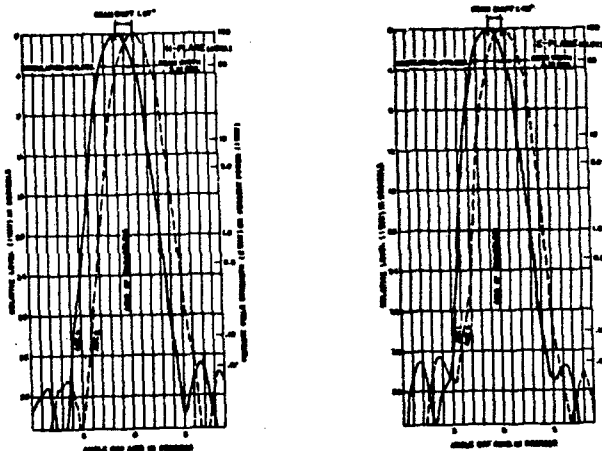
INSTALLATION: Shipboard.



Antenna 66AJS Constructional Diagram



Antenna 66AJS



Antenna 66AJS Azimuth (left) and Elevation (right) Radiation Patterns

UNCLASSIFIED

ASSOCIATED EQUIPMENT: Radar Equipment Mark 34 Mod 11. Equipment function - fire control. Range - 75,000 yards.

MISCELLANEOUS: Antenna Equipment 66AJS is identical with Antenna Equipment Mark 4 Mod 0.

COGNIZANT AGENCY: U. S. Navy, BuOrd.

MANUFACTURER: Western Electric Co., contracts NOrd 6699 and NOrd 6789.

REFERENCES:

- 1) Bureau of Ordnance, Instruction Book for Radar Equipment Mark 34 Model 11, OP 1787, (Mar. 1946). UNCLASSIFIED.
- 2) Western Electric drawing BXI-24610.
- 3) Western Electric Specification D-152465.

.....

ANTENNA 66AJT

INSTALLATION: Shipboard.

ASSOCIATED EQUIPMENT: Navy Models TDY and TDY-1 Radio Transmitting Equipment. Equipment function - countermeasures, jamming.

REFERENCE:

U. S. Navy Bureau of Ships, Antenna Data Sheets, Shipboard Antenna Details, Chapter 5, NAVSHIPS 900121(A), (Jan. 1, 1959). CONFIDENTIAL.

.....

ANTENNA 66AJU

ASSOCIATED EQUIPMENT: Navy Models Mark 3 and Mark 4 Radar Equipment. Equipment function - fire control.

U. S. Navy Bureau of Ships, Antenna Data Sheets, Shipboard Antenna Details, Chapter 5, NAVSHIPS 900121(A), (Jan. 1, 1959). CONFIDENTIAL.

REFERENCE:

.....

ANTENNA 66AJV-(*)

FREQUENCY: SHF band, 3400 - 3700 mc.

TYPE: Modified cut paraboloidal reflector with waveguide horn feed.

DESCRIPTION: The antenna consists of a slatted, cut paraboloidal reflector, 2 feet high by 4 feet long, with a waveguide horn feed. The reflector is made of aluminum, the feed of cast bronze. The antenna mounts on a retractable torque tube which has two operating positions, 3 feet and 12 feet above the stowed position. The total weight is approximately 400 pounds. The antenna horn is fed by RG-48/U waveguide.

MISCELLANEOUS: The nomenclature 66AJV-(*) denotes 66AJV and 66AJV-1. The 66AJV-1 will withstand a static pressure of 500 pounds, and 66AJV will withstand 300 pounds.

COGNIZANT AGENCY: U. S. Navy, BuShips.

MANUFACTURER: Western Electric Co., contract NKsr-66745.

STOCK NUMBERS: Federal Stock Number F5985-369-5490 (66AJV), and Federal Stock Number F5985-470-7419 (66AJV-1).

BEAM DATA:

Gain - 30 db.
Half-power beamwidth - Vertical - 60°.
Horizontal - 5.5°.
Beam type - Cac² in elevation.
Polarization - Horizontal.

REFERENCES:

- 1) U. S. Navy, Navy Stock List of the Electronics Supply Office, (Feb. 1958). UNCLASSIFIED.
- 2) U. S. Navy Bureau of Ships, Antenna Data Sheets, Shipboard Antenna Details, Chapter 5, NAVSHIPS 900121(A), (Jan. 1, 1959). CONFIDENTIAL.
- 3) NAVSHIPS 900548(A): Instruction Book for Radar Equipment Navy Model SV.
- 4) SHIPS 341: Instruction Book for Radar Equipment Navy Model SV-1.
- 5) NAVSHIPS 91163.
- 6) NAVSHIPS 91325(A).

SCAN DATA: The antenna rotates in azimuth through 360° at a rate that can be varied between 0 and 6 revolutions per minute.

INSTALLATION: Shipboard, submarine.

ASSOCIATED EQUIPMENT: Navy Models SV, SV-1, and SV-3 Radar Equipment. Equipment function - search, air.
Navy Model SV-4 Radar Equipment. Equipment function - tracking.

UNCLASSIFIED

ANTENNA 66AJX

FREQUENCY: VHF and UHF bands, 275 - 500 mc.

INSTALLATION: Shipboard.

TYPE: Corner reflector with a sleeve dipole feed.

ASSOCIATED EQUIPMENT: Navy Model TDY-1 Radio Transmitting Equipment. Equipment function - countermeasures, jamming.

DESCRIPTION: The antenna consists of a copper dipole with a shield and a corner reflector. The overall assembly is 33 inches by 18 inches by 18 inches. The dipole is fed by a 50-ohm cable.

MANUFACTURER: Diamond Instrument Co., and General Electric Company.

BEAM DATA:

Half-power beamwidth - Vertical - 60°.

Horizontal - 60°.

Polarization - Vertical or horizontal.

STOCK NUMBER: Federal Stock Number N5985-254-7155.

REFERENCE:

U. S. Navy, Navy Stock List of the Electronics Supply Office, (Feb. 1958). UNCLASSIFIED.

SCAN DATA: The antenna rotates in azimuth.



ANTENNA 66AJY

FREQUENCY: UHF band, 500 - 850 mc.

MISCELLANEOUS: The 66AJY is mechanically interchangeable with 66AKJ, 66AKL, and 66AKM. Each of these antennas covers a different part of the frequency band covered by Navy Model TDY-1 equipment.

TYPE: Corner reflector with a sleeve dipole.

MANUFACTURER: Diamond Instrument Company.

DESCRIPTION: The antenna consists of a copper dipole with a shield and a corner reflector. The overall dimensions are 28 inches by 24 inches by 18-1/8 inches, and the total weight is 25 pounds. The dipole is fed by a 50-ohm coaxial cable. The antenna mounts on Navy Type 10AFJ antenna pedestal.

STOCK NUMBERS: Federal Stock Number N5985-369-5395. Navy 16-A-48599-4201.

BEAM DATA:

Half-power beamwidth - Vertical - 60°.

Horizontal - 60°.

Polarization - Vertical or horizontal.

REFERENCES:

- 1) U. S. Navy, Navy Stock List of the Electronics Supply Office, (Feb. 1958). UNCLASSIFIED.
- 2) U. S. Navy Bureau of Ships, Antenna Data Sheets, Shipboard Antenna Details, Chapter 5, NAVSHIPS 900121(A), (Jan. 1, 1959). CONFIDENTIAL.
- 3) NAVSHIPS 900342(A).
- 4) BuShips drawing RE100F167.
- 5) Diamond Instrument drawing T-7663534.

SCAN DATA: The antenna rotates in azimuth through 360° at a rate of 4 revolutions per minute.

INSTALLATION: Shipboard.

ASSOCIATED EQUIPMENT: Navy Model TDY-1 Radio Transmitting Equipment. Equipment function - countermeasures, jamming.



ANTENNA 66AJZ

FREQUENCY: VHF band, 205 - 215 mc.

ASSOCIATED EQUIPMENT: Navy Models YQ and PQ Equipment. Equipment function - search, air.

TYPE: Ground-plane antenna.

MISCELLANEOUS: The 66AJZ is the same as the 66AFJ except for the frequency band.

DESCRIPTION: The antenna consists of a vertical radiator with a "steering-wheel" or "doughnut" ground plane. The overall assembly is 15-5/16 inches high by 16-5/8 inches in diameter. The antenna is fed by either RG-9/U or RG-10/U cable.

MANUFACTURER: Radar Beacon Equipment, Inc.

STOCK NUMBER: Federal Stock Number F5985-246-4496.

BEAM DATA:

Beam type - Omnidirectional in azimuth.

Polarization - Vertical.

REFERENCE:

U. S. Navy, Navy Stock List of the Electronics Supply Office, (Feb. 1958). UNCLASSIFIED.

INSTALLATION: Shipboard.

UNCLASSIFIED

ANTENNA 66AKB

FREQUENCY: UHF band, 550 - 660 mc.

STOCK NUMBER: Federal Stock Number F5985-470-7457.

TYPE: Cut paraboloidal reflector with a dipole feed.

REFERENCES:

DESCRIPTION: The antenna is a cut paraboloidal reflector, 6 feet high by 15 feet wide, fed by a dipole. The antenna includes provision for Mark 3 and Mark 4 IFF antennas. The overall assembly is approximately 7-1/2 feet high by 16 feet wide by 7 feet deep, and the total weight is 825 pounds.

1) U. S. Navy Bureau of Ships, Antenna Data Sheets, Shipboard Antenna Details, Chapter 5, NAVSHIPS 90J121(A), (Jan. 1, 1959). CONFIDENTIAL.

2) U. S. Navy, Navy Stock List of the Electronics Supply Office, (Feb. 1958). UNCLASSIFIED.

3) NAVSHIPS 900,577.

4) BuShips drawing RE43F545.

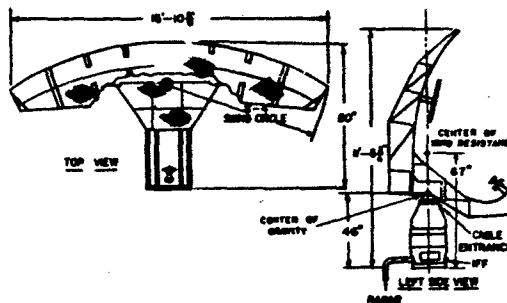
BEAM DATA:

Gain - 22 db.

Half-power beamwidth - Vertical - 22°. Horizontal - 7.5°.

Polarization - Horizontal.

SCAN DATA: The antenna rotates in azimuth through 360° at a rate of either 1-1/4 or 5 revolutions per minute.



Antenna 66AKB

INSTALLATION: Shipboard, CL and larger vessels.

ASSOCIATED EQUIPMENT: Navy Model SR-2 Radar Equipment. Equipment function - search, air. Maximum range - 8 miles for 2200-ton DD and 50 miles for 20-square-meter aircraft. Minimum range - 600 yards.

MANUFACTURER: Radio Corporation of America.



ANTENNA 66AKC

INSTALLATION: Shipboard, CL and larger vessels.

U. S. Navy Bureau of Ships, Antenna Data Sheets, Shipboard Antenna Details, Chapter 5, NAVSHIPS 900121(A), (Jan. 1, 1959). CONFIDENTIAL.

ASSOCIATED EQUIPMENT: Navy Model SR-2 Radar Equipment. Equipment function - search, air.

REFERENCE:



ANTENNA 66AKD

FREQUENCY: VHF band, 157 - 187 mc.

Equipment. Equipment function - search.

TYPE: Corner reflector with a dipole feed.

MANUFACTURER: General Electric Company.

DESCRIPTION: The antenna consists of a dipole assembly, a corner reflector, and a pedestal. The overall antenna is 64 inches high by 89 inches wide by 44 inches deep.

STOCK NUMBER: Federal Stock Number F5985-470-7377.

REFERENCES:

SCAN DATA: The antenna rotates in azimuth, by a motor drive. It turns at rates up to 3-1/2 revolutions per minute.

1) U. S. Navy, Navy Stock List of the Electronics Supply Office, (Feb. 1958). UNCLASSIFIED.

2) General Electric Drawing T-8673975 rev.0.

ASSOCIATED EQUIPMENT: Navy Model SP-1M Radar



ANTENNA 66AKE

FREQUENCY: VHF band, 157 - 187 mc.

TYPE: Corner reflector with a dipole feed.

UNCLASSIFIED

DESCRIPTION: The antenna consists of a dipole assembly and a corner reflector mounted on a turntable. The overall antenna is 50-5/8 inches high by 88-3/16 inches wide by 44 inches deep. The antenna includes provision for Mark 3 and Mark 4 IFF antennas.

Equipment. Equipment function - fire control.

MANUFACTURER: General Electric Company.

STOCK NUMBER: Federal Stock Number F5985-470-7375.

SCAN DATA: The antenna rotates in azimuth by means of a manual drive.

REFERENCE:
U. S. Navy, Navy Stock List of the Electronics Supply Office, (Feb. 1958). UNCLASSIFIED.

ASSOCIATED EQUIPMENT: Navy Model Mark 33 Radar



ANTENNA 66AKG

FREQUENCY: UHF and SHF bands, 2700 - 3300 mc.

ASSOCIATED EQUIPMENT: Navy Model TDY-a and TDY-1a Radio Transmitting Equipment. Equipment function - countermeasures, jamming.

TYPE: Reflector with waveguide horn feed.

MANUFACTURER: Raytheon Manufacturing Co.

STOCK NUMBER: Federal Stock Number N5985-470-7396.

DESCRIPTION: The antenna consists of a reflector and a waveguide horn enclosed in a fiberglass radome and mounted on a pedestal. The overall assembly is 69 inches high by 33-3/8 inches in diameter, and the total weight is 29⁰ pounds. It has eight 13/16-inch mounting holes equally spaced on a 16-1/2-inch bolt circle. The horn is fed by rectangular waveguide.

REFERENCES:
1) U. S. Navy, Navy Stock List of the Electronics Supply Office, (Feb. 1958). UNCLASSIFIED.
2) U. S. Navy Bureau of Ships, Antenna Data Sheets, Shipboard Antenna Details, Chapter 5, NAVSHIPS 900121(A), (Jan. 1, 1959). CONFIDENTIAL.
3) Raytheon drawing M-79A-7 sub. 0.

BEAM DATA:
Half-power beamwidth - Vertical - 33°.
Horizontal - 25°.
Polarization - Circular.

SCAN DATA: The reflector rotates.

INSTALLATION: Shipboard.



ANTENNA 66AKH

FREQUENCY: UHF band, 2860 mc.

Polarization - Horizontal.

TYPE: Stacked array of tri-dipoles.

ASSOCIATED EQUIPMENT: Navy Model YQ Radar Beacon Equipment. Equipment function - navigation, surface reference.

DESCRIPTION: The antenna is an array of three tridipoles mounted one above the other on a section of 7/8-inch coaxial line. This coaxial section is coupled to a waveguide by a doorknob transition. The array is enclosed in a fiberglass radome. The overall assembly is 12-1/2 inches high by 5-3/4 inches wide by 6-3/8 inches long. The antenna has four mounting slots, 9/16 inches by 7/16 inches, on 4-5/8- by 1-9/16-inch mounting centers.

MANUFACTURER: Warren F. Collins.

STOCK NUMBER: Federal Stock Number N5985-408-8614.

BEAM DATA:
Beam type - Omnidirectional in azimuth.

REFERENCES:
1) U. S. Navy, Navy Stock List of the Electronics Supply Office, (Feb. 1958). UNCLASSIFIED.
2) Collins drawing A12005.



ANTENNA 66AKJ

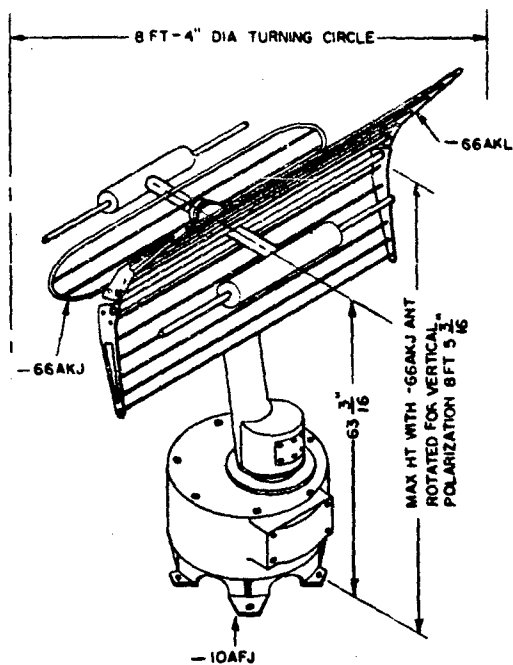
FREQUENCY: VHF band, 90 - 175 mc.

reflector with a dipole feed. The dipole is fed through a type III balun by RG-18/U coaxial cable. The overall antenna is 12 inches high, 72 inches wide and 36-1/2 inches deep.

TYPE: Flat-screen reflector fed by dipole.

DESCRIPTION: The antenna consists of a flat

UNCLASSIFIED



Antenna 66AKJ

BEAM DATA:

Half-power beamwidth - E-plane - 55°
 H-plane - 180° .

Beam type - Unidirectional.

Polarization - Vertical, horizontal, or 45° depending on antenna orientation.

SCAN DATA: The antenna has 360° mechanical azimuth rotation at 4 revolutions per minute.

INSTALLATION: Shipboard or ground.

ASSOCIATED EQUIPMENT: Navy Model TDY-1 shipboard jamming transmitter. Equipment function - countermeasures, jamming.

MISCELLANEOUS: 66AKL, 66AKJ, 66AKM, and 66AJY antennas are similar except for frequency range and dimensions and are all used with TDY equipment. The 10AFJ antenna pedestal is designed to mount two of these antennas back-to-back.

COGNIZANT AGENCY: U. S. Navy

STOCK NUMBER: U. S. Navy 16-A-48584-9201.

REFERENCE:

U. S. Navy and Bureau of Ships, Antenna Data Sheets, Shipboard Antenna Details, Chapter 5, NAVSHIPS 900121(A), (Jan. 1, 1959).
 CONFIDENTIAL.

.....
 ANTENNA 66AKK

ASSOCIATED EQUIPMENT: Navy Model Mark 32 Mod 1 Radar Equipment. Equipment function - fire control.

U. S. Navy Bureau of Ships, Antenna Data Sheets, Shipboard Antenna Details, Chapter 5, NAVSHIPS 900121(A), (Jan. 1, 1959). CONFIDENTIAL.

REFERENCE:

.....
 ANTENNA 66AKL

FREQUENCY: VHF band, 146 - 275 mc; VSWR < 2.2.

Beam type - Unidirectional.
Polarization - Vertical, horizontal, or 45° depending on antenna orientation.

TYPE: Corner reflector fed by a dipole.

SCAN DATA: The antenna has 360° mechanical azimuth rotation at 4 revolutions per minute.

DESCRIPTION: The antenna consists of a corner reflector with a dipole feed. The dipole is fed by RG-18/U coaxial cable through a type III balun. The reflector is constructed in two sections, with seven metal rods per section forming the reflecting surface. The two sections of the reflector form an angle of 135° . Each reflector section is 59 inches high and 25 inches wide, and the dipole is 34 inches long. Overall dimensions are 56 inches high, 58-1/2 inches wide, and 28-1/4 inches deep.

INSTALLATION: Shipboard or ground.

ASSOCIATED EQUIPMENT: Navy Model TDY-1 shipboard jamming transmitter. Equipment function - countermeasures, jamming.

BEAM DATA:

Gain - 9 db.
Half-power beamwidth - E-plane - 60° to 70° .
 H-plane - 70° to 90° .

MISCELLANEOUS: 66AKL, 66AKJ, 66AKM, and 66AJY antennas are similar except for frequency range and dimensions and are all used with TDY equipment. The 10AFJ antenna pedestal is designed to mount two of these antennas back-to-back. The 66AKL is the same as Harvard RRL antenna number M2906.

UNCLASSIFIED

COGNIZANT AGENCY: U. S. Navy.

Andrew W. Alford, Antennas for RCM, 411-100A.
Cambridge, Mass.: Radio Research Laboratory.
Harvard University, (Dec. 3, 1945).
UNCLASSIFIED.

STOCK NUMBER: U. S. Navy 16-A-48587-5621.

REFERENCE:

.....

ANTENNA 66AKM

FREQUENCY: VHF and UHF bands, 265 - 530 mc;
VSWR < 2.

INSTALLATION: Shipboard or ground.

TYPE: Corner reflector fed by a dipole.

ASSOCIATED EQUIPMENT: Navy Model TDY-1 shipboard jamming transmitter. Equipment function - countermeasures, jamming.

DESCRIPTION: The antenna consists of a corner reflector and a dipole feed. The dipole is fed by an air-dielectric coaxial line through a type III balun. The reflector is constructed in two sections, with seven metal rods per section forming the reflecting surface. The two sections of the reflector form an angle of 135°. Each reflector section is 40 inches high and 33 inches wide, and the dipole is 18-1/2 inches long. Overall dimensions are 35 inches high, 33 inches wide, and 17-3/4 inches deep.

MISCELLANEOUS: 66AKL, 66AKJ, 66AKM, and 66AJY antennas are similar except for frequency range and dimensions and are all used with TDY equipment. The LOAFJ antenna pedestal is designed to mount two of these antennas back-to-back. The 66AKM is the same as Harvard RRL number M2907, type I.

COGNIZANT AGENCY: U. S. Navy.

STOCK NUMBER: U. S. Navy 16-A-48591-8071.

REFERENCE:

Andrew W. Alford, Antennas for RCM, 411-100A.
Cambridge, Mass.: Radio Research Laboratory,
Harvard University, (Dec. 3, 1945).
UNCLASSIFIED.

BEAM DATA:

Gain - 9db

Half-power beamwidth - E-plane - 60° to 70°.
E-plane - 60° ± 80°.

Beam type - Unidirectional.

Polarization - Vertical, horizontal, or 45° depending on antenna orientation.

.....

ANTENNA 66AKN

ASSOCIATED EQUIPMENT: Navy Model BT Equipment.
Equipment function - IFF.

U. S. Navy Bureau of Ships, Antenna Data Sheets, Shipboard Antenna Details, Chapter 5, NAVSHIPS 900121(A), (Jan. 1, 1959). CONFIDENTIAL.

REFERENCE:

.....

ANTENNA 66AKO

FREQUENCY: UHF band, 680 - 720 mc.

MANUFACTURER: Harvey Radio Laboratories, Inc.

TYPE: Array of dipoles.

STOCK NUMBER: Federal Stock Number N5840-296-1296.

DESCRIPTION: The antenna is an array of three dipoles enclosed in a fiberglass radome. The overall antenna is 34-5/16 inches high by 5-5/64 inches in diameter. It mounts by a single pipe stud and is fed by a 50-ohm transmission line.

REFERENCES:

- 1) U. S. Navy, Navy Stock list of the Electronics Supply Office, (Feb. 1958). UNCLASSIFIED.
- 2) Harvey drawing 1256.

ASSOCIATED EQUIPMENT: Navy Model BT Transponder Equipment. Equipment function - IFF.

.....

ANTENNA 66AKP

FREQUENCY: SHF band, 3400 - 3700 mc.

DESCRIPTION: The antenna is a parabolic-type reflector with a feed assembly which connects to a waveguide. The reflector is 36 inches

TYPE: Parabolic-type reflector.

UNCLASSIFIED

by 84 inches. The antenna has eight 3/4-inch mounting holes on a 16-1/2-inch bolt circle.

SCAN DATA: The antenna rotates in azimuth at a normal rate of 5 revolutions per minute, but it is capable of speeds up to 9 revolutions per minute.

ASSOCIATED EQUIPMENT: Navy Model SG-4 Radar Equipment. Equipment function - search.

MANUFACTURER: Raytheon Manufacturing Company.

STOCK NUMBER: Federal Stock Number F5985-369-5405.

REFERENCES:

- 1) U. S. Navy, Navy Stock List of the Electronics Supply Office, (Feb. 1958). UNCLASSIFIED.
- 2) Raytheon drawing A9994 sub. 1.

.....

ANTENNA 66AKQ

TYPE: Ground-plane antenna.

DESCRIPTION: The antenna consists of a quarter-wavelength rod with a small ground plane housed in a polystyrene radome. The assembly is approximately 5-1/2 inches wide by 6 inches long by 4 inches deep.

INSTALLATION: Shipboard.

ASSOCIATED EQUIPMENT: Navy Model REF Radio Equipment.

MISCELLANEOUS: The 66AJQ is the same as the 66AMA except for frequency range and cable adapter.

REFERENCE:

U. S. Navy Bureau of Ships, Antenna Data Sheets, Shipboard Antenna Details, Chapter 5, NAVSHIPS 900121(A), (Jan. 1, 1959). CONFIDENTIAL.

.....

ANTENNA 66AKT

ASSOCIATED EQUIPMENT: Navy Model SO-11 Radar Equipment. Equipment function - search.

REFERENCE:

U. S. Navy Bureau of Ships, Antenna Data Sheets, Shipboard Antenna Details, Chapter 5, NAVSHIPS 900121(A), (Jan. 1, 1959). CONFIDENTIAL.

.....

ANTENNA EQUIPMENT 66AKU

FREQUENCY: SHF band, 8500 - 9000 mc.

TYPE: Paraboloidal reflector with waveguide feed.

DESCRIPTION: The antenna consists of a 2-1/2-foot paraboloidal dish with a nutating waveguide feed. Total weight is 115 pounds.

BEAM DATA:

Gain - 32 db.
Half-power beamwidth - Vertical - 3°. Horizontal - 3°.

Beam type - Pencil.
Polarization - Either vertical (with MK19 mount) or horizontal (with MK21 mount).

SCAN DATA: The antenna uses a nutating feed which produces a conical scan. The peak of the beam is 1/2° from and rotates about the axis of the paraboloidal reflector. In the search position, the antenna tilts from +15° to -15° or from +5° to -5° depending on the switch position. In the search position, the antenna is also rotated and tilted manually. In the tracking position, the antenna continues its conical scanning and is automatically held on target in azimuth and elevation.

INSTALLATION: Shipboard.



Antenna 66AKU

UNCLASSIFIED

ASSOCIATED EQUIPMENT: Radar Equipment Mark 34, Mod 2; Mark 34, Mod 6; Mark 34, Mod 16. Equipment function - fire control. Range - 60,000 yards.

MISCELLANEOUS: Radar Equipment Mark 34 is no longer manufactured for U. S. Navy use. Antenna Equipment 66AKU is identical with Antenna Equipment Mark 4 Mod 1.

COGNIZANT AGENCY: Navy, BuOrd.

MANUFACTURER: Western Electric Company.

REFERENCES:

- 1) Edward Ornstein, U. S. Navy Radar Systems Survey, NRL Report 4963. Washington, D. C.; Naval Research Laboratory (Nov. 22, 1957). ASTIA Report No. AD-153211. SECRET.
- 2) U. S. Navy Bureau of Ordnance, Radar Equipment Mark 34, Models 2, 6, and 16, Maintenance Manual, OD 7686, (Apr. 1953). UNCLASSIFIED.
- 3) U. S. Navy Bureau of Ordnance, Radar Equipment Mark 34, Models 2, 6, and 16, Description, Operation, and Maintenance, OP 1513, (July 1954). UNCLASSIFIED.

.....

ANTENNA 66AKW

See 66AKX-(*)

.....

ANTENNA 66AKX-(*)

MAJOR COMPONENTS: 1 Navy Model 66AKW, 1 set of waveguide parts, 1 torque-tube drive assembly, 1 motor-driven gear unit, and 1 synchro unit.

FREQUENCY: SHF band, 8740 - 8890 mc.

TYPE: Cut paraboloidal reflector with waveguide horn feed.

DESCRIPTION: Navy Model 66AKW antenna is a cut paraboloidal reflector, 8 inches high by 30 inches wide, with a waveguide horn feed.

BEAM DATA:

Gain - 26 db.
Half-power beamwidth - Vertical - 16°. Horizontal - 2.6°. Polarization - Horizontal.

SCAN DATA: The antenna rotates in azimuth through 360° at rates up to 8 revolutions per minute.

INSTALLATION: Shipboard, submarine.

ASSOCIATED EQUIPMENT: Navy Models SS, SS-1, and SS-2 Radar Equipment. Equipment function - search, surface; fire control; search, air; and communications. Maximum range - 12 miles for 2200-ton DD. Minimum range - 300 yards.

MISCELLANEOUS: The nomenclature 66AKX-(*) denotes 66AKX-1, and 66AKX-2. All models use 66AKW antennas. The 66AKX and 66AKX-1 are made by different manufacturers; 66AKX-2 uses an improved synchro unit with antibacklash gears.

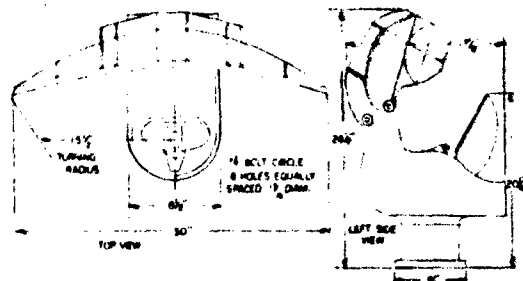
MANUFACTURERS:

66AKX and 66AKX-2 ... Western Electric Co.
66AKX-1 ... Westinghouse Electric Co.
66AKW ... Westinghouse Electric Co.

STOCK NUMBER: 66AKW ... Federal Stock Number F5985-038-2457, 66AKX ... Federal Stock Number F5985-470-7423, 66AKX-1 ... Federal Stock Number F5985-470-7424, 66AKX-2 ... Federal Stock Number F5985-369-5496.

REFERENCES:

- 1) U. S. Navy, Navy Stock List of the Electronics Supply Office, (Feb. 1958). UNCLASSIFIED.
- 2) U. S. Navy Bureau of Ships, Antenna Data Sheets, Shipboard Antenna Details, Chapter 5, NAVSHIPS 900121(A), (Jan. 1, 1959). CONFIDENTIAL.



Antenna Projector 66AKW

.....

ANTENNA 66AKY

FREQUENCY: X-band.

TYPE: Paraboloidal reflector with dipole feed.

UNCLASSIFIED

DESCRIPTION: The antenna consists of a paraboloidal reflector and a feed assembly consisting of a dipole fed by rectangular, X-band waveguide. The antenna is 28-3/4 inches deep by 30 inches in diameter. It mounts on Navy Model Mark 57 stand.

BEAM DATA:
Polarization - Linear, fixed.

SCAN DATA: The feed rotates at a rate of 30 cycles per second and produces a conical scan with the axis of the radiated beam 1-1/4 degrees from the axis of the reflector.

ASSOCIATED EQUIPMENT: Navy Models Mark 39 Mod

0 and Mark 39 Mod I Radar Equipment. Equipment function - fire control.

MISCELLANEOUS: The 66AKY is the same as Radar Antenna Mark 6 Mod 0.

MANUFACTURER: Submarine Signal Co.

STOCK NUMBER: Federal Stock Number N5985-369-5494.

REFERENCE:
U. S. Navy, Navy Stock List of the Electronics Supply Office, (Feb. 1958). UNCLASSIFIED.

.....

ANTENNA 66AKZ

FREQUENCY: SHF band, 3000 - 3100 mc.

TYPE: Cut paraboloidal reflector with waveguide horn feed.

DESCRIPTION: The antenna consists of a cut paraboloidal reflector with a waveguide nozzle-type feed. The overall antenna is 49-1/2 inches long by 34 inches wide by 44 inches high. The baseplate of the assembly has eight holes equally spaced on a 16-1/2 inch bolt circle.

BEAM DATA:
Half-power beamwidth - Horizontal - 5.5°.

SCAN DATA: The antenna rotates in azimuth through 360° at any rate between 8 and 16

revolutions per minute.

INSTALLATION: Shipboard.

ASSOCIATED EQUIPMENT: Navy Models SG-c, SG-d, SG-1c, and SG-1d Radar Equipment. Equipment function - search, air.

MANUFACTURER: Raytheon Manufacturing Co.

STOCK NUMBER: Federal Stock Number F5985-408-8666.

REFERENCE:
U. S. Navy, Navy Stock List of the Electronics Supply Office, (Feb. 1958). UNCLASSIFIED.

.....

ANTENNA 66ALA and 66ALB

FREQUENCY: VHF band, 66ALA ... 215 - 225 mc, 66ALB ... 195 - 205 mc.

TYPE: Cut paraboloidal reflector with a Yagi-type feed.

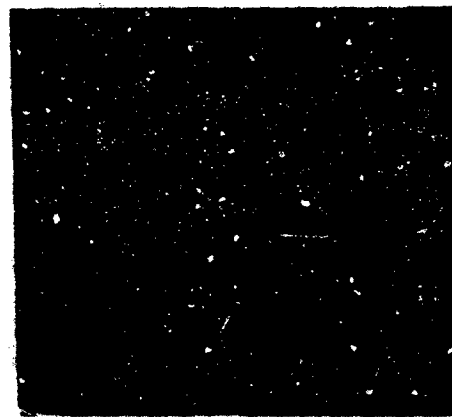
DESCRIPTION: Antennas 66ALA and 66ALB are the same except for slight differences in the dimensions of the feed assemblies. Each antenna consists of a cut paraboloidal reflector with two feed assemblies. Each feed assembly consists of a coaxial-cable-fed dipole with a rod reflector. One of the feed assemblies connects to the radar; the other, to the Mark 3 IFF. The overall assembly is approximately 12 feet high by 17-1/2 feet wide by 8 feet deep, and the total weight is 735 pounds. The antenna has eight 13/16-inch holes equally spaced on a 16-1/2-inch bolt circle.

BEAM DATA:
Half-power beamwidth - Vertical - 40°, Horizontal - 22°. **Polarization** - Horizontal (radar).

SCAN DATA: The antenna rotates in azimuth

through 360° at a rate of 5 revolutions per minute.

INSTALLATION: Shipboard.



Antennas 66ALA and 66ALB

UNCLASSIFIED

ASSOCIATED EQUIPMENT: Navy Models SC and SK Radar Equipment. Equipment function - search, air.

COGNIZANT AGENCY: U. S. Navy, BuShips.

MANUFACTURER: Raytheon Manufacturing Co., contracts NObsr 39138 and NXsr 87763.

STOCK NUMBER: Federal Stock Number F5985-644-3306 (66ALA), Federal Stock Number F5985-369-5581 (66ALB).

REFERENCES:

- 1) U. S. Navy, Navy Stock List of the Electronics Supply Office, (Feb. 1958). UNCLASSIFIED.
- 2) NAVSHIPS 900731: Technical Manual for Antenna Assembly Navy Types CRP-66ALA and CRP-66ALB.

.....

ANTENNA 66ALC

FREQUENCY: VHF band, 158 - 175 mc.

SCAN DATA: The antenna can be rotated and tilted.

ASSOCIATED EQUIPMENT: Navy Models Mark 11 and Mark 12 Radar Equipment. Equipment function - fire control.

MANUFACTURER: Contract NOrd-6137.

STOCK NUMBER: Federal Stock Number F5985-369-5423 (66ALC without spares), Federal Stock Number F5985-347-9039 (66ALC with spares).

REFERENCE:

U. S. Navy, Navy Stock List of the Electronics Supply Office, (Feb. 1958). UNCLASSIFIED.

.....

ANTENNA 66ALD

ASSOCIATED EQUIPMENT: Navy Model Mark 32 Mod 1 Radar Equipment. Equipment function - fire control.

REFERENCE:

U. S. Navy Bureau of Ships, Antenna Data Sheets, Shipboard Antenna Details, Chapter 5, NAVSHIPS 900121(A), (Jan. 1, 1959). CONFIDENTIAL.

.....

ANTENNA 66ALE

FREQUENCY: UHF and SHF bands, 2500 - 3500 mc.

INSTALLATION: Shipboard.

ASSOCIATED EQUIPMENT: Navy Model MBE Radio Equipment. Equipment function - countermeasures, jamming; countermeasures, deception; and countermeasures, monitoring.

COGNIZANT AGENCY: U. S. Navy, BuShips.

MANUFACTURER: Hewlett-Packard Co., contract NXsr 79933.

REFERENCES:

- 1) U. S. Navy, Navy Stock List of the Electronics Supply Office, (Feb. 1958). UNCLASSIFIED.
- 2) SHIPS 389: Technical Manual for Radio Transmitting and Receiving Equipment Navy Model MBE.

.....

ANTENNA 66ALF and 66ALG

ASSOCIATED EQUIPMENT: Navy Model SK Radar Equipment. Equipment function - search.

REFERENCE:

U. S. Navy Bureau of Ships, Antenna Data Sheets, Shipboard Antenna Details, Chapter 5, NAVSHIPS 900121(A), (Jan. 1, 1959). CONFIDENTIAL.

.....

UNCLASSIFIED

ANTENNA ASSEMBLY 66ALH

MAJOR COMPONENTS: 1 early-warning antenna, 1 height-finding antenna, and 1 antenna pedestal.

FREQUENCY: UHF band, 2700 - 2900 mc (early-warning antenna), SHF band, 3400 - 3700 mc (height-finding antenna).

TYPE: Two cut paraboloidal reflectors, each fed by a waveguide horn assembly.

DESCRIPTION: The antenna assembly consists of two antennas mounted on a single pedestal. One antenna is used for early-warning search; and the other, for height finding. The early-warning antenna consists of a cut paraboloidal reflector, 4 feet high by 14 feet wide, with a focal length of 5 feet fed by a waveguide horn assembly. The waveguide horn assembly is made up of three horns fed by a single S-band rectangular waveguide. The height-finding antenna consists of a bifocal, cut paraboloidal reflector, 15 feet high by 5 feet wide with focal lengths of 9 feet and 5 feet, fed by a Robinson scanner. A Robinson scanner is a parallel-plate device rolled in such a way that it can be fed by a rotating horn.

BEAM DATA:

Early-Warning Search Antenna:

Gain - 34 db.
 Half-power beamwidth - Horizontal - 1.6°. Beam two - Csc² up to 18° in elevation.
 Polarization - Vertical.

Height-Finding Antenna:

Gain - 37 db.
 Half-power beamwidth - Horizontal - 3.5°. Vertical - 1.2°. Polarization - Horizontal.

SCAN DATA: Both antennas rotate together through 360° in azimuth at a rate of 4 revolu-

tions per minute. In addition, the height-finding antenna scans by electromechanical means through 11° in elevation at a rate of 10 scans per second.

INSTALLATION: Shipboard, aircraft carrier.

ASSOCIATED EQUIPMENT: Navy Model SX and SCI Radar Equipment. Equipment function - search and height finding.

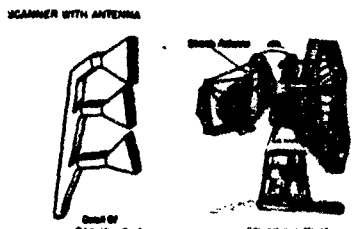
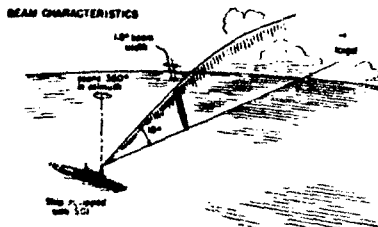
MISCELLANEOUS: The information given under Beam Data and Scan Data was compiled by combining information from references 1), 2), 3), and 4). There is some discrepancy in the information from the different sources. Reference 7) states that Navy Model SX is out of the fleet and scrapped.

MANUFACTURER: American Machine and Foundry Co. and General Electric Company.

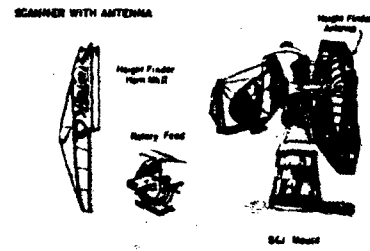
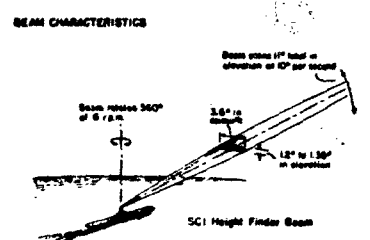
STOCK NUMBER: Federal Stock Number F5985-408-8735.

REFERENCES:

- 1) U. S. Navy Bureau of Ships, Antenna Data Sheets, Shipboard Antenna Details, Chapter 5, NAVSHIPS 900121(A), (Jan. 1, 1959). CONFIDENTIAL.
- 2) U. S. Navy, Navy Stock List of the Electronics Supply Office, (Feb. 1958). UNCLASSIFIED.
- 3) Antenna Catalog, Report No. 1330. Cambridge, Massachusetts: Radiation Laboratory, Massachusetts Institute of Technology, (Oct. 8, 1945). MIT 45-10. UNCLASSIFIED.



66ALH Search Antenna Feed and Beam Pattern



66ALH Height Finder Feed and Beam Pattern

UNCLASSIFIED

- 4) Louis N. Ridenour, Radar System Engineering. Cambridge, Mass.: Massachusetts Institute of Technology Radiation Laboratory. (1947). UNCLASSIFIED.
- 5) NAVSHIPS 91375.
- 6) BuShips drawings RE10J2070, RE65H2080, and RE13A1085A.
- 7) Edward Ornstein, U. S. Navy Radar Systems Survey, NRL Report 4963. Washington, D. C.: Naval Research Laboratory (Nov. 22, 1957). ASTIA Report No. AD-153211. SECRET.

.....

ANTENNA 66ALK

REQUENCY: UHF and SHF band, 2700 - 3300 mc.

INSTALLATION: Shipboard.

TYPE: Horn radiator with a reflector.

ASSOCIATED EQUIPMENT: Navy Models TDY-a and TDY-la Radio Transmitting Equipment. Equipment function - countermeasures, monitoring.

DESCRIPTION: The antenna consists of a horn and a reflector enclosed in a dome-shaped radome. The overall antenna is 55 inches high and 24 inches in diameter. It has eight mounting holes located on a 16-1/2-inch bolt circle. The antenna is connected to the receiver by a length of RG-18/U cable.

COGNIZANT AGENCY: U. S. Navy, BuShips.

MANUFACTURER: Raytheon Manufacturing Co.

STOCK NUMBER: Federal Stock Number N5985-470-7328.

BEAM DATA:

Polarization - Probably 45°.

REFERENCE:

U. S. Navy, Navy Stock List of the Electronics Supply Office, (Feb. 1958). UNCLASSIFIED.

SCAN DATA: The antenna can be rotated in azimuth.

.....

ANTENNA 66ALM

REQUENCY: VHF and UHF bands, 264 - 372 mc.

MISCELLANEOUS: Navy Model PO Radar Relay Equipment is used to receive signals from Radio Set AN/ART-22. It is part of an aircraft early-warning system.

TYPE: Double-dipole with a reflector.

DESCRIPTION: The overall antenna is 47-3/16 inches high by 12-1/2 inches wide by 4 inches deep. The total weight is 44 pounds.

REFERENCES:

- 1) U. S. Navy, Navy Stock List of the Electronics Supply Office, (Feb. 1958). UNCLASSIFIED.
- 2) NAVSHIPS 900,602: Instruction Book for Shipboard Components of Airborne Early Warning System, Comprising Navy Models PO and YQ.

BEAM DATA:

Half-power beamwidth - Horizontal - 180°.
Polarization - Vertical.

INSTALLATION: Shipboard.

ASSOCIATED EQUIPMENT: Navy Model PO Radar Relay Equipment.

.....

ANTENNA 66ALN

REQUENCY: UHF band, 1244 - 1350 mc.

DESCRIPTION: The antenna consists of a collinear array of dipoles, mounted on and probed from a 17-1/2-foot section of rectangular waveguide. A V-shaped section of perforated, stainless steel is mounted on the waveguide section to form a corner reflector behind the dipole array. Each dipole is enclosed in a protective cover.

TYPE: Collinear array of dipoles with a corner reflector.

BEAM DATA:

Gain - 24 db.
Half-power beamwidth - Vertical - 30°.
Horizontal - 4°.
Polarization - Horizontal.



66ALN and 66AND

UNCLASSIFIED

SCAN DATA: The antenna rotates through 360° in azimuth at a rate of either 2.5 or 5 revolutions per minute. The antenna may also be rotated manually.

INSTALLATION: Shipboard.

ASSOCIATED EQUIPMENT: Navy Model SR-3 Radar Equipment. Equipment function - search, air; and search, surface.

COGNIZANT AGENCY: U. S. Navy, BuShips.

MANUFACTURER: Industrial Electronics Division of Westinghouse Electric Corporation, contract NXsr-86343.

STOCK NUMBER: Navy F16-A-52016-1991.

REFERENCES:

- 1) U. S. Navy, Navy Stock List of the Electronics Supply Office, (Feb. 1958). UNCLASSIFIED.
- 2) U. S. Navy Bureau of Ships, Antenna Data Sheets, Shipboard Antenna Details, Chapter 5, NAVSHIPS 900121(A), (Jan. 1, 1959). CONFIDENTIAL.
- 3) NAVSHIPS 900539: Instruction Book for Shipboard Search Radar Navy Model SR-3.



ANTENNA 66ALQ

FREQUENCY: UHF band, 1220 - 1380 mc.

TYPE: Dipole.

DESCRIPTION: The antenna is a test dipole 4-13/16 inches long. It is connected to an echo box by a length of 52-ohm cable, RG-8/U.

INSTALLATION: Shipboard.

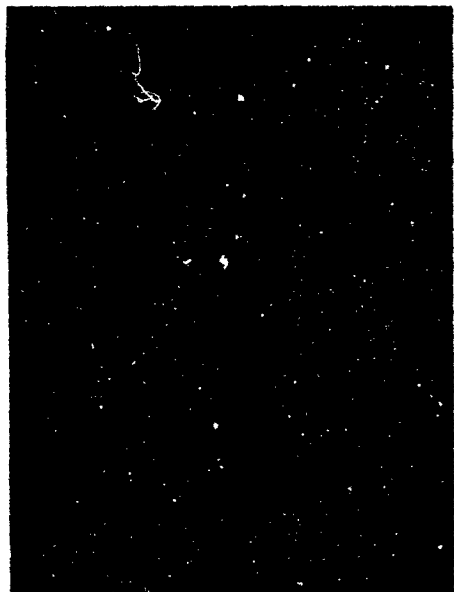
ASSOCIATED EQUIPMENT: Navy Model SR-3 Radar Equipment. Equipment function - test.

MANUFACTURER: Westinghouse Electric Corporation.

STOCK NUMBER: Federal Stock Number F5985-257-3207.

REFERENCES:

- 1) U. S. Navy, Navy Stock List of the Electronics Supply Office, (Feb. 1958). UNCLASSIFIED.
- 2) U. S. Navy Bureau of Ships, Radar Equipments Navy Models SR-6a and SR-6b, Instruction Book, NAVSHIPS 900,989(A), (Sept. 10, 1951). UNCLASSIFIED.
- 3) Westinghouse drawing P-7716218 sub. 0.



Antenna 66ALQ



ANTENNA 66ALQ

FREQUENCY: VHF band, 75 - 195 mc; VSWR < 2.

TYPE: Sleeve dipole with small, flat-screen reflector.

DESCRIPTION: The antenna consists of a sleeve dipole, 37-1/2 inches long, having a T-section on each end for capacitive loading. It is fed by coaxial cable through a type III balun and is positioned in front of a small, flat-screen reflector. The reflector is made of four parallel metal rods and is 6 feet long and 13 inches high.

BEAM DATA:

Gain - 5 db
Half-power beamwidth - E-plane - 70° to 80°
H-plane - 140° to 200°
Polarization - Vertical or horizontal, depending on antenna orientation.

INSTALLATION: Shipboard or ground.

ASSOCIATED EQUIPMENT: Navy Model TDY-2 shipboard jamming transmitter. Equipment function - countermeasures, jamming.

MISCELLANEOUS: The 66ALQ antenna is the same as the Harvard M2924 antenna.

UNCLASSIFIED

COGNIZANT AGENCY: U. S. Navy.

Cambridge, Mass.: Radio Research Laboratory,
Harvard University, (Dec. 3, 1945).
UNCLASSIFIED.

REFERENCE:

Andrew W. Alford, Antennas for RCM, 411-100A.

.....

ANTENNA 66ALR

FREQUENCY: VHF and UHF bands, 145 - 310 mc;
VSWR < 2.

Polarization - Horizontal, vertical, or
45° depending on antenna orientation.

TYPE: Corner reflector with dipole feed.

INSTALLATION: Shipboard or ground.

DESCRIPTION: The antenna is a corner reflector fed by a dipole. The reflector is constructed of two planar sections joined at an angle of 135°. Each section is semicircular in shape with a radius of 29-1/2 inches and is made of parallel metal rods. The dipole is fed by a coaxial cable through a type III balun. Overall length of the dipole is 34 inches.

ASSOCIATED EQUIPMENT: Navy Model TDY-2 shipboard jamming transmitter. Equipment function - countermeasures, jamming.

MISCELLANEOUS: The 66ALR antenna is the same as the Harvard M2926 antenna.

COGNIZANT AGENCY: U. S. Navy.

BEAM DATA:

Gain - 9 db.
Half-power beamwidth - E-plane - 55° to 70°,
depending on frequency.
H-plane - 70° to 95°.

REFERENCE:

Andrew W. Alford, Antennas for RCM, 411-100A.
Cambridge, Mass.: Radio Research Laboratory,
Harvard University, (Dec. 3, 1945).
UNCLASSIFIED.

.....

ANTENNA 66ALS

FREQUENCY: VHF and UHF bands, 265 - 530 mc.

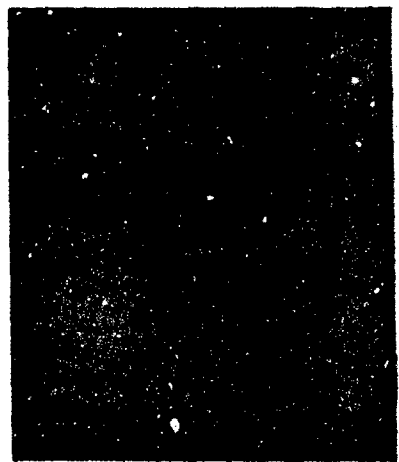
COGNIZANT AGENCY: U. S. Navy

TYPE: Corner reflector fed by a dipole.

REFERENCE:

Andrew W. Alford, Antennas for RCM, 411-100A.
Cambridge, Mass.: Radio Research Laboratory,
Harvard University, (Dec. 3, 1945).
UNCLASSIFIED.

DESCRIPTION: The antenna consists of a corner reflector and a dipole feed. The dipole is fed by RG-18/U coaxial cable through probably a type II balun. The reflector is constructed in two sections, with about seven metal rods per section forming the reflecting surface. The two sections of the reflector form an angle of 135°. Each reflector section is 40 inches high and 33 inches wide, and the dipole is 18-1/2 inches long.



BEAM DATA:

Gain - 9 db.
Half-power beamwidth - E-plane - 60° to 70°.
H-plane - 60° to 80°.
Beam type - unidirectional.
Polarization - Vertical, horizontal, or 45°,
depending on antenna orientation.

66ALS

INSTALLATION: Shipboard or ground.

ASSOCIATED EQUIPMENT: Navy Model TDY-2 shipboard jamming transmitter. Equipment function - countermeasures, jamming.

MISCELLANEOUS: The 66ALS is similar to 66AKM antenna, and is identical to the Harvard M2907 antenna.

.....

UNCLASSIFIED

ANTENNA 66ALT

FREQUENCY: UHF Band, 445 - 820 mc.

TYPE: Corner reflector with dipole feed.

DESCRIPTION: The antenna is a corner reflector with a dipole feed. The dipole is fed by RG-18/U coaxial cable through what is probably a type II balun. The reflector is constructed in two sections with about nine rods per section forming the reflecting surfaces. The two sections of the reflector form an angle of 135°. Each reflector section is 20 inches by 24 inches, and the dipole is 11 inches long.

BEAM DATA:

Gain - 9 db.

Half-power beamwidth - E-plane - 60° to 70°.
H-plane - 65° to 80°.

Beam type - Unidirectional.

Polarization - Vertical, horizontal, or 45° depending on antenna orientation.

INSTALLATION: Shipboard or ground.

ASSOCIATED EQUIPMENT: Navy Model TDY-2 Radio Transmitting Equipment. Equipment function - countermeasures, jamming.

REFERENCE:

Andrew W. Alford, Antennas for RCM, 411-100A. Cambridge, Mass.: Radio Research Laboratory Harvard University, (Dec. 3, 1945). UNCLASSIFIED.



ANTENNA 66ALU

FREQUENCY: UHF band, 810 - 1385 mc.

TYPE: Corner reflector with dipole feed.

DESCRIPTION: The antenna consists of a corner reflector fed by a dipole. The reflector is constructed of sheet metal, and each side is 6 inches wide and 11 inches high. The two sections form an angle of 135°. The dipole is fed by RG-18/U coaxial cable through a type II balun and is 6-11/16 inches long.

BEAM DATA:

Gain - 9 db.

Half-power beamwidth - E plane - 60° to 70°,
depending on frequency.
H-plane - 65° to 80°.

Beam type - Unidirectional.

Polarization - Vertical, horizontal, or 45° depending on antenna orientation.

INSTALLATION: Shipboard and ground.

ASSOCIATED EQUIPMENT: TDY-2 shipboard jamming transmitter. Equipment function - countermeasures, jamming.

MISCELLANEOUS: This antenna is identical to Harvard RRL type M2910 antenna except for mounting provisions.

COBILIZANT AGENCY: U. S. Navy.

REFERENCE:

Andrew W. Alford, Antennas for RCM, 411-100A. Cambridge, Mass.: Radio Research Laboratory, Harvard University, (Dec. 3, 1945). UNCLASSIFIED.



ANTENNA 66ALV

FREQUENCY: VHF and UHF bands, 100 - 1200 mc.

TYPE: Dipole.

DESCRIPTION: The antenna assembly consists of a set of dipoles and a rectifier unit enclosed in a weatherproof box. The assembly is 6-3/8 inches high by 16-7/8 inches wide by 2-9/16 inches deep. The base has four 9/32-inch holes on 2-inch by 4-3/8 inch mounting centers.

INSTALLATION: Normally shipboard.

ASSOCIATED EQUIPMENT: Navy Model TDY-2 Radio

Transmitting Equipment. Equipment function - test.

MANUFACTURER: General Electric Company.

STOCK NUMBER: Federal Stock Number N5985-470-7317.

REFERENCES:

1) U. S. Navy, Navv Stock List of the Electronics Supply Office, (Feb. 1958). UNCLASSIFIED.

2) General Electric drawing M-7476633 rev 0.



UNCLASSIFIED

ANTENNA 66ALX and 66ALY

ASSOCIATED EQUIPMENT: Navy Model DXB Equipment.
Equipment function - direction finding.

U. S. Navy Bureau of Ships, Antenna Data Sheets, Shipboard Antenna Details, Chapter 5, NAVSHIPS 900121(A), (Jan. 1, 1959).
CONFIDENTIAL.

REFERENCE:



ANTENNA 66ALZ

FREQUENCY: SHF band, 6275 - 6575 mc.

STOCK NUMBER: Federal Stock Number F5985-470-7421.

TYPE: Modified cut paraboloidal reflector with a horn feed.

REFERENCES:

DESCRIPTION: The antenna consists of a reflector with a horn feed. The reflector is a slatted, cut paraboloid, 13 inches high by 48 inches wide, modified to give 12° of csc² coverage. The antenna has a total weight of 160 pounds.

- 1) U. S. Navy, Navy Stock List of the Electronics Supply Office, (Feb. 1958). UNCLASSIFIED.
- 2) U. S. Navy Bureau of Ships, Antenna Data Sheets, Shipboard Antenna Details, Chapter 5, NAVSHIPS 900121(A), (Jan. 1, 1959). CONFIDENTIAL.

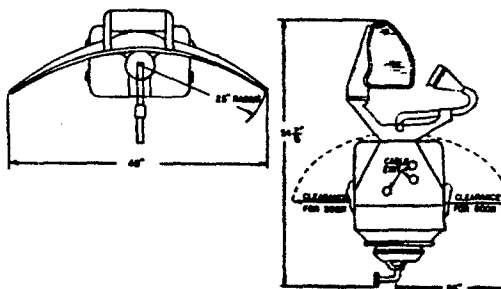
BEAM DATA:

Gain - 28 db.

Half-power beamwidth - Vertical - 17° with an additional 12° csc² coverage; Horizontal - 2.7°.

Polarization - Horizontal.

SCAN DATA: The antenna rotates through 360° in azimuth at a rate of 15 revolutions per minute.



Antenna 66ALZ

INSTALLATION: Shipboard, PT and other light craft.

ASSOCIATED EQUIPMENT: Navy Model SO-5 Radar Equipment. Equipment function - search, surface.

MANUFACTURER: Raytheon Manufacturing Co.



ANTENNA 66AMA

FREQUENCY: UHF band, 1000 - 3000 mc.

MANUFACTURER: Galvin Manufacturing Co. and Air-Track.

TYPE: Ground-plane antenna.

STOCK NUMBER: Federal Stock Number N5985-408-8612.

DESCRIPTION: The antenna consists of a quarter-wavelength rod with a small ground plane housed in a polystyrene radome. The assembly is 5-5/8 inches wide by 5-3/4 inches long by 4-1/4 inches deep. It has two 5/16-inch mounting holes spaced 5 inches center to center. It has an adaptor for a 52-ohm cable.

REFERENCES:

- 1) U. S. Navy, Navy Stock List of the Electronics Supply Office, (Feb. 1958). UNCLASSIFIED.
- 2) Air-Track drawing C1843 rev. 0.

INSTALLATION: Shipboard.

ASSOCIATED EQUIPMENT: Radar Set AN/SPR-2.



ANTENNA 66AMB

FREQUENCY: UHF and SHF bands, 800 - 3800 mc.

INSTALLATION: Shipboard.

TYPE: Conical antenna.

UNCLASSIFIED

ASSOCIATED EQUIPMENT: Radar Set AN/SPR-2.

STOCK NUMBER: Federal Stock Number N5985-257-3204.

REFERENCE:

U. S. Navy, Navy Stock List of the Electronics Supply Office, (Feb. 1958). UNCLASSIFIED.

.....

ANTENNA 66AMC

FREQUENCY: L-band.

ASSOCIATED EQUIPMENT: Navy Model Mark 20 Mod 2 Radar Equipment. Equipment function - fire control (searchlight control).

MISCELLANEOUS: Reference 1) lists Mark 20 Mod 2 Radar Equipment as obsolete.

COGNIZANT AGENCY: U. S. Navy, BuShips, Code 825.

REFERENCES:

- 1) Edward Ornstein, U. S. Navy Radar Systems Survey, NRL Report 4963. Washington, D. C.: Naval Research Laboratory (Nov. 22, 1957). ASTIA Report No. AD-153211. SECRET.
- 2) U. S. Navy Bureau of Ships, Antenna Data Sheets, Shipboard Antenna Details, Chapter 5, NAVSHIPS 900121(A), (Jan. 1, 1959). CONFIDENTIAL.

.....

ANTENNA 66AMD

TYPE: Mattress antenna.

DESCRIPTION: The antenna consists of a flat screen reflector with a horizontal row of four dipoles mounted in front of it. The overall antenna is 120-1/4 inches wide by 36 inches high by 16-3/4 inches deep. The total weight is 193 pounds.

BEAM DATA:
Polarization - Vertical.

INSTALLATION: Shipboard.

ASSOCIATED EQUIPMENT: Navy Model Mark 3 IFF

Equipment. Equipment function - IFF.

MISCELLANEOUS: The 66AMD is the Mark 3 IFF antenna normally used with Navy Model SR-3 Radar Equipment.

REFERENCES:

- 1) U. S. Navy, Navy Stock List of the Electronics Supply Office, (Feb. 1958). UNCLASSIFIED.
- 2) U. S. Navy Bureau of Ships, Antenna Data Sheets, Shipboard Antenna Details, Chapter 5, NAVSHIPS 900121(A), (Jan. 1, 1959). CONFIDENTIAL.

.....

ANTENNA 66AME

TYPE: Mattress antenna.

DESCRIPTION: The antenna consists of a flat screen reflector with a horizontal row of eight dipoles mounted in front of it. The overall antenna is 21-3/4 inches high by 66 inches wide by 9-3/8 inches deep. The total weight is 43 pounds.

BEAM DATA:
Polarization - Vertical.

INSTALLATION: Shipboard.

ASSOCIATED EQUIPMENT: Navy Model Mark 4 IFF

Equipment. Equipment function - IFF.

MISCELLANEOUS: The 66AME is the Mark 4 IFF antenna normally used with Navy Models SR-3 and SR-6 Radar Equipment.

REFERENCES:

- 1) U. S. Navy, Navy Stock List of the Electronics Supply Office, (Feb. 1958). UNCLASSIFIED.
- 2) U. S. Navy Bureau of Ships, Antenna Data Sheets, Shipboard Antenna Details, Chapter 5, NAVSHIPS 900121(A), (Jan. 1, 1959). CONFIDENTIAL.

.....

ANTENNA 66AMF

ASSOCIATED EQUIPMENT: Navy Model Mark 13 Mod 2 Radar Equipment. Equipment function - fire control.

REFERENCE:

U. S. Navy Bureau of Ships, Antenna Data Sheets, Shipboard Antenna Details, Chapter 5, NAVSHIPS 900121(A), (Jan. 1, 1959). CONFIDENTIAL.

UNCLASSIFIED

ANTENNA 66AMH

INSTALLATION: Shipboard.

covers a frequency band from 90 to 5000 mc.

ASSOCIATED EQUIPMENT: Navy Models DBM and DBM-1 Equipment. Equipment function - countermeasures, direction finding.

REFERENCE:
U. S. Navy Bureau of Ships, Antenna Data Sheets, Shipboard Antenna Details, Chapter 5, NAVSHIPS 900121(A), (Jan. 1, 1959).
CONFIDENTIAL.

MISCELLANEOUS: Navy Model DBM-1 Equipment



ANTENNA EQUIPMENT 66AMK

FREQUENCY: SHF band, 9000 - 9160 mc.

3) U. S. Navy Bureau of Ordnance, Radar Equipment Mark 39 Model 3, Instruction Book, OP 1748, (July, 1948). UNCLASSIFIED.

TYPE: Paraboloidal reflector with a waveguide feed.

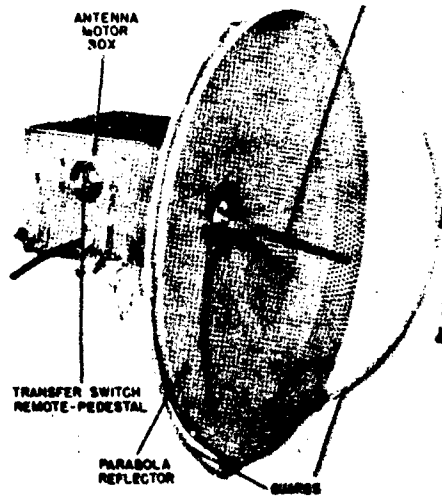
4) Palmer-Bee drawing 607044 Rev. B.

DESCRIPTION: The antenna consists of a perforated metal reflector, 2-1/2 feet in diameter with nutating waveguide feed. Focal length of the reflector is 10.6 inches.

BEAM DATA:

Half-power beamwidth - Vertical - 3°. Horizontal - 3°.

Beam type - Pencil.
Polarization - Vertical.



Antenna 66AMK

SCAN DATA: The antenna can be tilted from -15° to +85°. In the search mode of operation, the peak of the beam nutates about the axis of the paraboloidal reflector so that the half-power points of the moving beam cover a 5° angle in the azimuth plane and a 19° angle in the elevation plane. In the tracking mode of operation, the peak of the beam nutates about and is 1/2° degree from the axis of the reflector. The resulting conical scan makes the half-power points of the moving beam cover an angle of 5° in both planes. The nutation rate is 30 cycles per second.

INSTALLATION: Shipboard.

ASSOCIATED EQUIPMENT: Radar Equipment Mark 39 Mod 3. Equipment function - fire control. Range - 300 to 30,000 yards.

MISCELLANEOUS: Antenna Equipment 66AMK is identical with Antenna Equipment Mark 5 Mod 0.

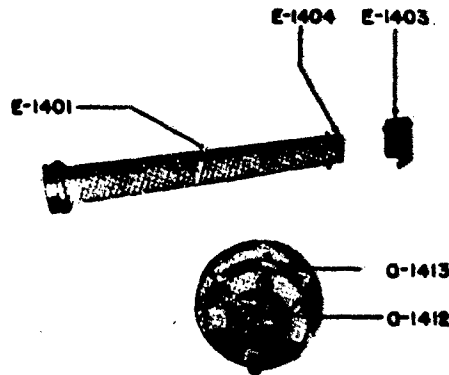
COGNIZANT AGENCY: U. S. Navy, BuOrd.

MANUFACTURER: Palmer-Bee Co., type number 1126.

STOCK NUMBER: Federal Stock Number F5985-369-5501.

REFERENCES:

- 1) Edward Ornstein, U. S. Navy Radar Systems Survey, NRL Report 4963. Washington, D. C.: Naval Research Laboratory (Nov. 22, 1957). ASTIA Report No. AD-153211. SECRET.
- 2) U. S. Navy, Navy Stock List of the Electronics Supply Office, (Feb. 1958). UNCLASSIFIED.



Antenna 66AMK Feed Components



UNCLASSIFIED

ANTENNA 66AML

ASSOCIATED EQUIPMENT: Navy Model SG-4 Radar Equipment. Equipment function - search.

U. S. Navy Bureau of Ships, Antenna Data Sheets, Shipboard Antenna Details, Chapter 5, NAVSHIPS 900121(A), (Jan. 1, 1959). CONFIDENTIAL.

MANUFACTURER: Procurement contract NXsr-44598.

REFERENCE:



ANTENNA 66AMN and 66AMO

ASSOCIATED EQUIPMENT: Navy Model X-MBT Radio Transmitting and Receiving Equipment.

U. S. Navy Bureau of Ships, Antenna Data Sheets, Shipboard Antenna Details, Chapter 5, NAVSHIPS 900121(A), (Jan. 1, 1959). CONFIDENTIAL.

REFERENCE:



ANTENNA 66AMP

FREQUENCY: SHF band, 6275 - 6575 mc.

STOCK NUMBER: Federal Stock Number F5985-470-7422.

TYPE: Modified cut paraboloidal reflector with a horn feed.

REFERENCES:

DESCRIPTION: The antenna consists of a slatted, cut paraboloidal reflector, 13-1/2 inches high by 48 inches wide, fed by a pyramidal waveguide horn. The horn is fed by RG-50/U waveguide. The assembly has eight 13/16-inch mounting holes on a 16-1/2-inch bolt circle.

1) U. S. Navy Bureau of Ships, Antenna Data Sheets, Shipboard Antenna Details, Chapter 5, NAVSHIPS 900121(A), (Jan. 1, 1959). CONFIDENTIAL.

2) U. S. Navy, Navy Stock List of the Electronics Supply Office, (Feb. 1958). UNCLASSIFIED.

BEAM DATA:

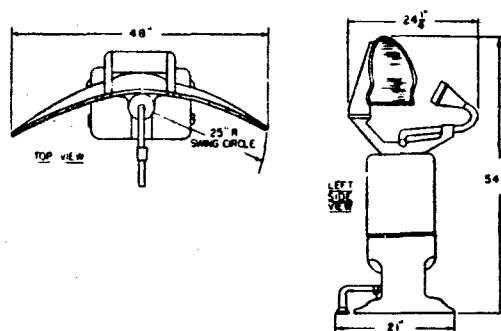
Gain - 28 db.
Half-power beamwidth - Vertical - 17° (plus 12° csc²).
Horizontal - 2.7°
Polarization - Horizontal.

SCAN DATA: The antenna rotates through 360° in azimuth at a rate of 15 revolutions per minute.

INSTALLATION: Shipboard, PC and other small craft.

ASSOCIATED EQUIPMENT: Navy Models SO-6 and SO-10 Radar Equipment. Equipment function - search, surface. Maximum range - 13 miles for 2200-ton DD. Minimum range - 150 yards.

MANUFACTURER: Raytheon Manufacturing Co.



Antenna 66AMP



ANTENNA ASSEMBLY 66AMQ-(*)

FREQUENCY: SHF band, 6275 - 6574 mc.

air-search antenna consists of a modified cut paraboloidal reflector, 50 inches high by 53 inches wide, fed by a waveguide horn. The surface-search antenna of the 66AMQ-2 antenna assembly has been redesigned and probably has dimensions different from those given above.

TYPE: Two cut paraboloidal reflectors, each with a horn feed.

DESCRIPTION: The antenna assembly consists of two antennas fed by waveguides from a selector switch. One antenna is used for surface search; and the other, for air search. The surface-search antenna consists of a slatted, cut paraboloidal reflector, 18 inches high by 60 inches wide, fed by a waveguide horn. The

UNCLASSIFIED

BEAM DATA:

	Surface- search Antenna	Air- search Antenna
Gain - 66AMQ and 66AMQ-1	28 db	28 db
66AMQ-2	29 db	25 db
Half-power beamwidth -		
Vertical - 66AMQ and		
66AMQ-1	16°	---
66AMQ-2	14.5°	---
Horizontal -		
66AMQ and		
66AMQ-1	2.4°	2.4°
66AMQ-2	1.6°	2.75°
Beam type -	fan	csc ² in elevation
Polarization -	horizontal	horizontal

SCAN DATA: The antenna rotates through 360° in azimuth at a rate of either 5 or 15 revolutions per minute.

INSTALLATION: Shipboard, DD and larger vessels.

ASSOCIATED EQUIPMENT: 66AMQ, Navy Model SG-6 Radar Equipment; 66AMQ-1, Navy Model SG-6a Radar Equipment; and 66AMQ-2, Navy Model SG-6b Radar Equipment. Equipment function - search, air; and search, surface. Maximum range - 15 miles for 2200-ton DD and 12 miles for 12-square-meter aircraft.

MISCELLANEOUS: The nomenclature 66AMQ-(*) denotes 66AMQ, 66AMQ-1, and 66AMQ-2. The 66AMQ has components that operate on 60-cycle a-c power. 66AMQ-1 has components that operate on 400-cycle a-c power. The surface-search antenna for 66AMQ-2 has a redesigned reflector and feed.

MANUFACTURER: Raytheon Manufacturing Co., contract NObsr-43263 (66AMQ-2).

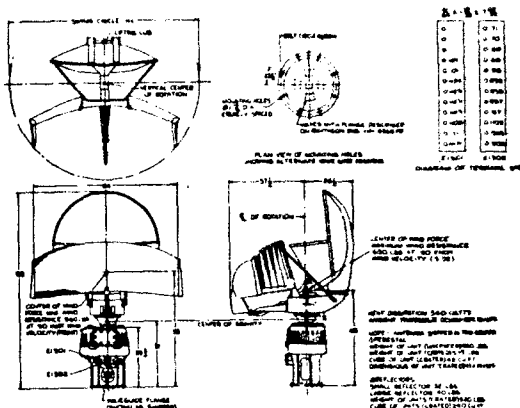
STOCK NUMBER:

- 66AMQ ... Federal Stock Number F5985-369-5578
- 66AMQ-1 ... Federal Stock Number F5985-408-8721
- 66AMQ-2 ... Federal Stock Number F5985-408-8720
Navy Stock Number F16-A-55158-6655

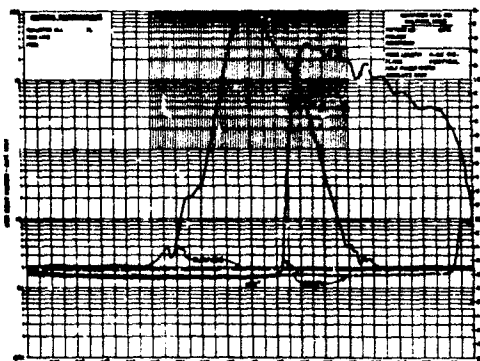
REFERENCES:

- 1) U. S. Navy, Navy Stock List of the Electronics Supply Office, (Feb. 1958). UNCLASSIFIED.
- 2) U. S. Navy Bureau of Ships, Antenna Data Sheets, Shipboard Antenna Details, Chapter 5, NAVSHIPS 900121(A), (Jan. 1, 1959). CONFIDENTIAL.
- 3) NAVSHIPS 900,861(A).
- 4) BuShips drawing RE62F17B.
- 5) Department of the Navy Bureau of Ships, Radar Equipment Navy Model SG-6a, Complementary Instruction Book, NAVSHIPS 91491, (July 20, 1951). UNCLASSIFIED.

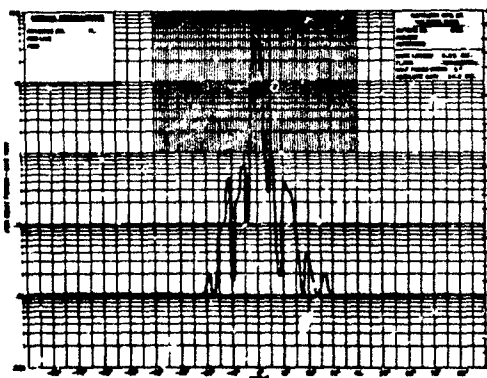
6) Department of the Navy, Radar Equipment Navy Model SG-6b, Instruction Book, NAVSHIPS 91384, (March 1955). UNCLASSIFIED.



Antenna 66AMQ-2



Antenna 66AMQ-2 Vertical Radiation Pattern for Zenith Reflector



Antenna 66AMQ-2 Horizontal Radiation Pattern for Zenith Reflector

UNCLASSIFIED

ANTENNA 66AMR

FREQUENCY: SHF band, 9000 - 9160 mc.

TYPE: Cut paraboloidal reflector with a horn feed.

DESCRIPTION: The antenna consists of a slatted, cut paraboloidal reflector, 2 feet high by 4-1/2 feet wide, with a horn feed. The horn is fed by RG-51/U waveguide. The antenna has a total weight of 180 pounds.

BEAM DATA:

Gain - 36 db.
Half-power beamwidth - Vertical - 3.7°.
Horizontal - 1.8°.
Polarization - Horizontal.

SCAN DATA: The antenna rotates through 360° in azimuth at a rate of 6 revolutions per minute.

INSTALLATION: Shipboard, DE and larger vessels.

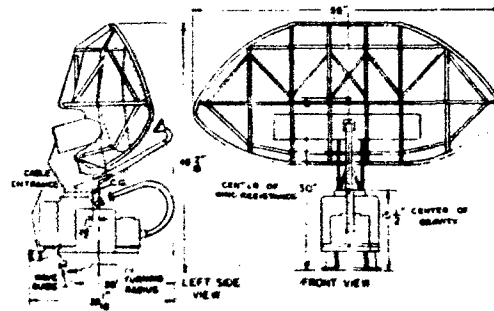
ASSOCIATED EQUIPMENT: Navy Model SU-2 Radar Equipment. Equipment function - search, surface. Maximum range - 20 miles for 2200-ton DD. Minimum range - 100 yards.

MANUFACTURER: Submarine Signal Co.

STOCK NUMBER: Federal Stock Number F5985-470-7426.

REFERENCES:

- 1) U. S. Navy Bureau of Ships, Antenna Data Sheet, Shipboard Antenna Details, Chapter 5, NAVSHIPS 900121(A), (Jan. 1, 1959). CONFIDENTIAL.
- 2) U. S. Navy, Navy Stock List of the Electronics Supply Office, (Feb. 1958). UNCLASSIFIED.
- 3) NAVSHIPS 900,831(A).
- 4) Submarine Signal drawing 60560 alt 1.



Antenna 66AMR



ANTENNA 66AMS

FREQUENCY: SHF band, 3019 - 3100 mc.

TYPE: Cut paraboloidal reflector with a horn feed.

DESCRIPTION: The antenna is a slatted, cut paraboloidal reflector, 1-3/4 feet high by 5 feet wide, with a horn feed. The horn is fed by rectangular waveguide. The total weight of the antenna is 346 pounds.

BEAM DATA:

Gain - 23 db.
Half-power beamwidth - Vertical - 11°.
Horizontal - 5°.
Polarization - Horizontal.

SCAN DATA: The antenna rotates through 360° in azimuth at a rate of 4, 8, or 16 revolutions per minute.

INSTALLATION: Shipboard, DD and larger ships.

ASSOCIATED EQUIPMENT: Navy Models SG-16, SG-e, SG-1e Radar Equipment. Equipment function - search, surface. Maximum range - 15 miles for 2200-ton DD and 10 miles for 20-square-meter aircraft. Minimum range - 500 yards.

MISCELLANEOUS: Reference 1) states that the vertical half-power beamwidth is 5° and the horizontal half-power beamwidth is 2.5°. However, the size of the reflector and the an-

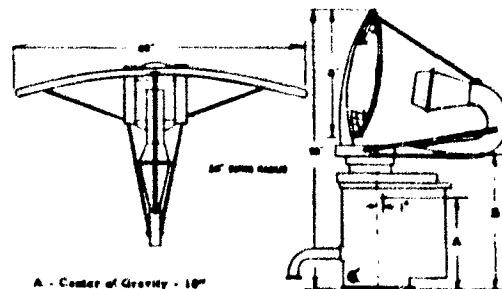
tenna gain fit the beamwidths given here and in Reference 2). Reference 1) states in one section that the frequency band is 2700 to 3300 mc; another section of Reference 1) states that it is 3000 to 3100 mc; Reference 2) states that it is 3019 to 3100 mc.

MANUFACTURER: Raytheon Manufacturing Co.

STOCK NUMBER: Federal Stock Number F5985-369-5404.

REFERENCES:

- 1) U. S. Navy, Navy Stock List of the Electronics Supply Office, (Feb. 1958). UNCLASSIFIED.



Antenna 66AMS

UNCLASSIFIED

U. S. Navy Bureau of Ships, Antenna Data Sheets, Shipboard Antenna Details, Chapter 5, NAVSHIPS 900121(A), (Jan. 1, 1959).
CONFIDENTIAL.

- 4) NAVSHIPS 98206.
- 5) Raytheon Drawings M-88A-3 sub 1 and M-88B-3 sub 1.

NAVSHIPS 900,531: Instruction Book, Radar Equipment SG-a, SG-b, SG-1b, and SG-25.

ANTENNA 66AMT

ASSOCIATED EQUIPMENT: Navy Model CXJN Equipment.

U. S. Navy Bureau of Ships, Antenna Data Sheets, Shipboard Antenna Details, Chapter 5, NAVSHIPS 900121(A), (Jan. 1, 1959).
CONFIDENTIAL.

REFERENCE:

ANTENNA 66AMU

ASSOCIATED EQUIPMENT: Navy Model MBR Radio transmitting and Receiving Equipment.

U. S. Navy Bureau of Ships, Antenna Data Sheets, Shipboard Antenna Details, Chapter 5, NAVSHIPS 900121(A), (Jan. 1, 1959).
CONFIDENTIAL.

REFERENCE:

ANTENNA 66AMV-(*)

FREQUENCY: UHF band, 1244 - 1350 mc.

COGNIZANT AGENCY: U. S. Navy, BuShips.

FEATURES: Collinear array of dipoles with a corner reflector.

MANUFACTURER: Industrial Electronics Division of Westinghouse Electric Corporation, contract N5ar-8674.

DESCRIPTION: The antenna consists of a collinear array of 12 dipoles mounted on and probe fed by a section of rectangular waveguide approximately 9-1/2 feet long. A V-shaped section with a mesh reflecting surface is mounted on the waveguide section to form a corner reflector behind the dipole array. Each dipole is enclosed in a protective cover. The overall antenna is 19-5/8 inches high by 112-3/16 inches long by 23 inches deep, and the total weight is 80 pounds.

STOCK NUMBERS: Navy F16-A-52016-2099 (66AMV), Navy F16-A-48616-5940 (66AMV-1).

REFERENCES:

- 1) U. S. Navy, Navy Stock List of the Electronics Supply Office, (Feb. 1958). UNCLASSIFIED.
- 2) U. S. Navy Bureau of Ships, Antenna Data Sheets, Shipboard Antenna Details, Chapter 5, NAVSHIPS 900121(A), (Jan. 1, 1959). CONFIDENTIAL.
- 3) NAVSHIPS 900,989: Instruction Book for Radar Equipment Navy Model SR-6.

PERFORMANCE DATA:

Gain - 21 db.

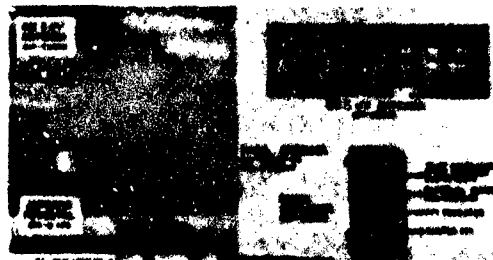
Half-power beamwidth - Vertical - 30°. Horizontal - 8°.

Polarization - Horizontal.

ROTATION DATA: The antenna rotates through 360° in azimuth at a rate that can be varied between 5 and 15 revolutions per minute.

INSTALLATION: Shipboard, DD and larger ships.

ASSOCIATED EQUIPMENT: Navy Model SR-6 Radar Equipment. Equipment function - search, air and search, surface. Maximum range - 20 miles for 2200-ton DD and 25 miles for 20-square-meter aircraft. Minimum range - 800 yards.



Antennas 66AMT, 66AMU, and 66AMV

REMARKS: The nomenclature 66AMV-(*) denotes 66AMV and 66AMV-1. The 66AMV covers only the frequency range from 1244 to 1300 mc.

UNCLASSIFIED

ANTENNA 66AMF

TYPE: Mattress antenna.

COGNIZANT AGENCY: U. S. Navy, BuShips.

DESCRIPTION: The antenna consists of a horizontal row of four vertical dipoles mounted in front of a flat, rectangular reflector made up of vertical rods. The overall antenna is 38-3/4 inches high by 96 inches long by 17-3/4 inches deep, and the total weight is 53 pounds.

MANUFACTURER: Industrial Electronics Division of Westinghouse Electric Corporation, contract N5sr-8674.

STOCK NUMBER: Federal Stock Number N5310-261-7750.

INSTALLATION: Shipboard, DD and larger ships.

REFERENCES:

1) U. S. Navy, Navy Stock List of the Electronics Supply Office, (Feb. 1958). UNCLASSIFIED.

ASSOCIATED EQUIPMENT: Navy Model Mark 3 IFF Equipment. Equipment function - IFF.

2) U. S. Navy Bureau of Ships, Antenna Data Sheets, Shipboard Antenna Details, Chapter 5, NAVSHIPS 900121(A), (Jan. 1, 1959). CONFIDENTIAL.

MISCELLANEOUS: The 66AMF is the Mark 3 IFF antenna used with Navy Model SR-6 Radar Equipment.



ANTENNA 66AMY(*)

INSTALLATION: Shipboard.

COGNIZANT AGENCY: U. S. Navy, BuOrd.

ASSOCIATED EQUIPMENT: Navy Model Mark 25 Mod 2 Radar Equipment (66AMY) and AN/SPG-48(XN-1) Radar Set (66AMY-1). Equipment function - fire control.

REFERENCES:

1) U. S. Navy Bureau of Ships, Antenna Data Sheets, Shipboard Antenna Details, Chapter 5, NAVSHIPS 900121(A), (Jan. 1, 1959). CONFIDENTIAL.

MISCELLANEOUS: The nomenclature 66AMY-(*) denotes 66AMY and 66AMY-1. Additional information is available in the confidential document listed below as Reference 2 and in Volume V of this catalog series.

2) U. S. Navy Bureau of Ordnance, Mark and Mod. Assignment, Request, NAVORD Form 848, (Approved July 23, 1945). CONFIDENTIAL.



ANTENNA 66AMZ

ASSOCIATED EQUIPMENT: Navy Model X-SC-7 Radar Equipment. Equipment function - search.

U. S. Navy Bureau of Ships, Antenna Data Sheets, Shipboard Antenna Details, Chapter 5, NAVSHIPS 900121(A), (Jan. 1, 1959). CONFIDENTIAL.

REFERENCE:



ANTENNA 66AND

FREQUENCY: SHF band, probably 8740 - 8890 mc.

REFERENCES:

INSTALLATION: Shipboard.

1) Edward Ornstein, U. S. Navy Radar Systems Survey, NRL Report 4963. Washington, D. C.: Naval Research Laboratory (Nov. 22, 1957). ASTIA Report No. AD-153211. SECRET.

ASSOCIATED EQUIPMENT: Navy Model Mark 34 Mod 13 Radar Equipment. Equipment function - fire control (antiaircraft).

2) U. S. Navy Bureau of Ships, Antenna Data Sheets, Shipboard Antenna Details, Chapter 5, NAVSHIPS 900121(A), (Jan. 1, 1959). CONFIDENTIAL.

MISCELLANEOUS: Navy Models Mark 34 Models 3, 4, and 7 through 14 have been modified and redesignated Navy Model Mark 34 Mod 16. Antenna 66AND is the same as Antenna Mark 5 Mod 2.

3) U. S. Navy Bureau of Ordnance, Mark and Mod. Assignment, Request, NAVORD Form 848, (Approved July 23, 1945). CONFIDENTIAL.

COGNIZANT AGENCY: U. S. Navy BuOrd (Re84-c).



UNCLASSIFIED

ANTENNA 66ANF

ASSOCIATED EQUIPMENT: Navy Model SP-2 Radar Equipment. Equipment function - height finding.

MISCELLANEOUS: Reference 1) states that Navy Model SP-2 Radar Equipment was never approved.

COGNIZANT AGENCY: U. S. Navy, BuShipt (code 823).

REFERENCES:

1) Edward Ornstein, U. S. Navy Radar Systems Survey, NRL Report 4963. Washington, D. C.: Naval Research Laboratory (Nov. 22, 1957). ASTIA Report No. AD-153211. SECRET.

2) U. S. Navy Bureau of Ships, Antenna Data Sheets, Shipboard Antenna Details, Chapter 5, NAVSHIPS 900121(A), (Jan. 1, 1959). CONFIDENTIAL.



ANTENNA ASSEMBLY 66ANJ

MAJOR COMPONENTS: 1 early-warning antenna, 1 height-finding antenna, 1 IFF dipole, and 1 antenna pedestal.

FREQUENCY: SHF band, 3450 - 3550 mc (Height-finding antenna), UHF band, 2700 - 2900 mc (Early-warning antenna), VHF band, 157 - 187 mc (IFF antenna).

TYPE: Two cut paraboloidal reflectors each fed by a waveguide horn assembly.

DESCRIPTION: The antenna assembly consists of two antennas mounted on a single pedestal. One antenna is used for early-warning search; and the other, for height finding. The early-warning antenna is a cut paraboloidal reflector, 4 feet high by 14 feet wide, fed by a waveguide horn assembly. It includes an IFF dipole. The height-finding antenna is a bifocal, cut paraboloidal reflector, 15 feet high by 5 feet wide, probably fed by a Robinson scanner.

INSTALLATION: Shipboard.

ASSOCIATED EQUIPMENT: Navy Model SX-2 Radar Equipment. Equipment function - air search; height finding; and IFF.

MISCELLANEOUS: Reference 1) states that 66ANJ is the same as 66ALH, but the height-finding antenna of 66ANJ scans through 20° instead of 11°.

COGNIZANT AGENCY: U. S. Navy, BuShips (code 823).

MANUFACTURER: American Machine and Foundry Co.

STOCK NUMBER: Federal Stock Number F5965-408-8737.

REFERENCES:

1) U. S. Navy, Navy Stock List of the Electronics Supply Office, (Feb. 1958). UNCLASSIFIED.

2) Edward Ornstein, U. S. Navy Radar Systems Survey, NRL Report 4963. Washington, D. C.: Naval Research Laboratory (Nov. 22, 1957). ASTIA Report No. AD-153211. SECRET.

3) American Machine and Foundry drawing 59-126-5002.



ANTENNA 66015

FREQUENCY: VHF band, 60 - 80 mc.

TYPE: Ground-plane antenna.

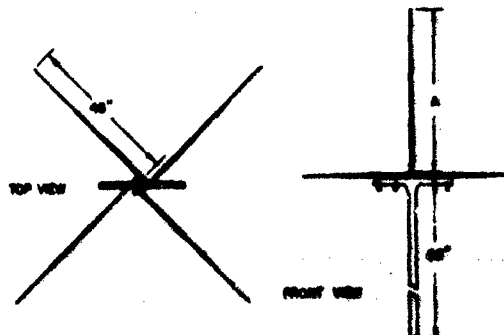
DESCRIPTION: The antenna consists of a vertical radiator, a ground plane made up of four rods mounted horizontally 90° apart, and a matching section. Three interchangeable steel rods, 33, 38-3/8, and 44 inches long, are furnished to serve as vertical radiators. The total weight of the antenna is 46 pounds.

BEAM DATA:

Polarization - Vertical.

TUNING/MATCHING DEVICES: A matching section, located at the base of the antenna, matches the 70-ohm input impedance of the antenna to a 50-ohm coaxial transmission line.

INSTALLATION: Shipboard, surface vessels.



Antenna 66015

UNCLASSIFIED

ASSOCIATED EQUIPMENT: Navy Model TBS Radio Equipment. Equipment function - communications.

MANUFACTURER: Radio Corporation of America, Victor Division.

STOCK NUMBER: Federal Stock Number N5985-254-7172.

REFERENCES:

- 1) U. S. Navy Bureau of Ships, Antenna Data Sheets, Shipboard Antenna Details, Chapter 3, NAVSHIPS 900121(A), (Jan. 1, 1959). CONFIDENTIAL.
- 2) U. S. Navy, Navy Stock List of the Electronics Supply Office, (Feb. 1958). UNCLASSIFIED.
- 3) NAVSHIPS 900,590.



ANTENNA 66016

FREQUENCY: VHF band, 60 - 80 mc.

TYPE: Ground-plane antenna.

DESCRIPTION: The antenna consists of a matching section, a ground-plane rod, and three interchangeable, vertical radiating rods 41-7/8, 34-3/4, and 28-1/4 inches long. The total weight of the antenna is 57 pounds.

BEAM DATA:
Polarization - Vertical.

TUNING/MATCHING DEVICES: A matching section, located at the base of the antenna, matches the 70-ohm input impedance of the antenna to a 50-ohm coaxial transmission line.

INSTALLATION: Shipboard, submarine.

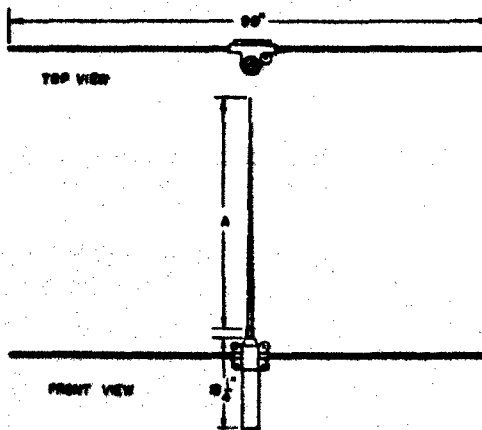
ASSOCIATED EQUIPMENT: Navy Model TBS Radio Equipment. Equipment function - communications.

STOCK NUMBER: Federal Stock Number N5985-470-7432.

REFERENCES:
1) U. S. Navy Bureau of Ships, Antenna Data

Sheets, Shipboard Antenna Details, Chapter 3, NAVSHIPS 900121(A), (Jan. 1, 1959). CONFIDENTIAL.

- 2) NAVSHIPS 900,590.



Antenna 66016



ANTENNA 66025

FREQUENCY: VHF band, 28 - 68 mc.

TYPE: Whip.

ASSOCIATED EQUIPMENT: Navy Model TBP Radio Transmitting and Receiving Equipment. Equipment function - communications.

MANUFACTURER: Winters and Crampton Corporation.

STOCK NUMBER: Federal Stock Number N5985-249-4382.

REFERENCE:
U. S. Navy, Navy Stock List of the Electronics Supply Office, (Feb. 1958). UNCLASSIFIED.



ANTENNA 66025-A

FREQUENCY: VHF band, 28 - 80 mc.

TYPE: Whip.

ASSOCIATED EQUIPMENT: Navy Model TBY-1 Radio Transmitting and Receiving Equipment. Equipment function - communications.

STOCK NUMBER: Federal Stock Number F5985-249-4381.

REFERENCE:
U. S. Navy, Navy Stock List of the Electronics Supply Office, (Feb. 1958). UNCLASSIFIED.

UNCLASSIFIED

ANTENNA 66026

FREQUENCY: VHF band, 132 - 156 mc.

2) Instruction Book, GEI-12387A.

TYPE: Dipole.

BEAM DATA:

Polarization - Vertical.

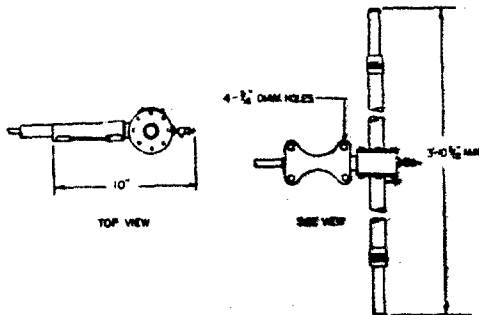
INSTALLATION: Shipboard.

ASSOCIATED EQUIPMENT: Navy Models RAR and TCD Radio Equipment. Equipment function - communications.

STOCK NUMBER: Federal Stock Number F5985-408-8684.

REFERENCES:

- 1) U. S. Navy Bureau of Ships, Antenna Data Sheets, Shipboard Antenna Details, Chapter 5, NAVSHIPS 900121(A), (Jan. 1, 1959).
CONFIDENTIAL.



Antenna 66026.



ANTENNA 66028

FREQUENCY: MF and HF bands, 2 - 9.05 mc.

STOCK NUMBER: Federal Stock Number N5985-249-4342.

TYPE: Whip.

REFERENCE:

ASSOCIATED EQUIPMENT: Navy Model TCQ Radio Transmitting and Receiving Equipment. Equipment function - communications.

U. S. Navy, Navy Stock List of the Electronics Supply Office, (Feb. 1958). UNCLASSIFIED.



ANTENNA 66023

FREQUENCY: VHF band, 30 - 42 mc.

STOCK NUMBER: Federal Stock Number N5985-249-4369.

TYPE: Whip.

REFERENCES:

ASSOCIATED EQUIPMENT: Navy Model TCL-1 Radio Transmitting and Receiving Equipment. Equipment function - communications.

- 1) U. S. Navy, Navy Stock List of the Electronics Supply Office, (Feb. 1958). UNCLASSIFIED.

MANUFACTURER: General Electric Company.

- 2) General Electric drawing K-7882913 rev. 0.



ANTENNA 66026

FREQUENCY: VHF band, 200 - 250 mc.

SCAN DATA: The antenna rotates through 360° in azimuth at a rate of 2 revolutions per minute.

TYPE: Parabolic-cylinder reflector with a ground-plane feed.

INSTALLATION: Shipboard or ground, normally aircraft carrier.

DESCRIPTION: The antenna consists of a parabolic-cylinder reflector, a feed assembly consisting of a vertical radiator and four horizontal radial ground rods, an antenna drive unit, and an antenna drive shaft. The reflector assembly weighs 105 pounds.

ASSOCIATED EQUIPMENT: Navy Models YE-1, YE-2, and YE-3 Radio Homing Beacon Equipment. Equipment function - navigation, surface reference.

BEAM DATA:

Half-power beamwidth - Horizontal - 30°.
Polarization - Vertical.

COGNIZANT AGENCY: U. S. Navy, BuShips.

MANUFACTURER: Radio Corporation of America,

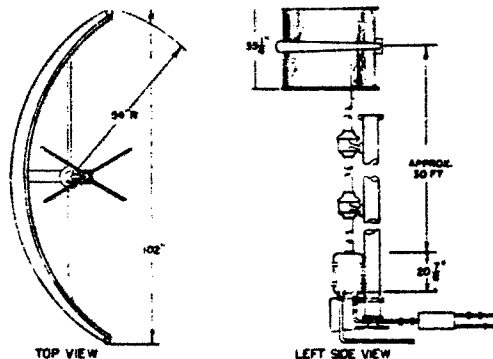
UNCLASSIFIED

Victor Division, Camden, N. J., contracts
NOs-93372, NXas-15437, NXar-38316.

STOCK NUMBER: Federal Stock Number F5985-284-
8810.

REFERENCES:

- 1) U. S. Navy and Bureau of Ships, Antenna Data Sheets, Shipboard Antenna Details, Chapter 5, NAVSHIPS 900121(A), (Jan. 1, 1959). CONFIDENTIAL.
- 2) U. S. Navy, Navy Stock List of the Electronics Supply Office, (Feb. 1958). UNCLASSIFIED.
- 3) NAVSHIPS 95361: Instruction Book for Navy Model YE-1 Homing Beacon Equipment.
- 4) NAVSHIPS 900,502: Instruction Book for Navy Models YE-2 and YE-3 Homing Beacon Equipment.



Antenna 66036

ANTENNA ASSEMBLY 66037

FREQUENCY: VHF band, 241 - 251 mc.

TYPE: Mattress antenna.

DESCRIPTION: The antenna consists of a flat reflector, approximately 4 feet square, two vertically-mounted dipoles, and a pedestal. The reflector is made up of 15 vertical steel rods welded to a steel frame.

BEAM DATA:

Half-power beamwidth - Horizontal - 45°.
Polarization - Vertical.

SCAN DATA: The antenna rotates through 360° in azimuth at a rate of 2 revolutions per minute.

INSTALLATION: Shipboard or ground.

ASSOCIATED EQUIPMENT: Navy Models YG, YG-1, and YG-2 Radio Homing Beacon Equipment. Equipment function - navigation, surface reference.

COGNIZANT AGENCY: U. S. Navy, BuShips.

MANUFACTURER: Radio Corporation of America,

Victor Division, Camden, N. J., contracts
NXas - 33086, NXs-820, and NXsr-42143.
Stewart-Warner Corp., Chicago, Ill., contracts
NXas-19219 and NXar-60004.

STOCK NUMBER: Federal Stock Number F5985-369-
5388.

REFERENCES:

- 1) U. S. Navy and Bureau of Ships, Instruction Book for Homing Beacon Equipment Models YG-1 and YG-2 with Radio Frequency Monitor CWS-60047 and True Bearing Control Unit CAIB-23408, NAVSHIPS 900, 252, 1B, (July 21, 1944). UNCLASSIFIED.
- 2) U. S. Navy and Bureau of Ships, Instruction Book for Homing Beacon Equipment Navy Model YG and Radio Frequency Monitor Navy Type CRV-60047, NAVSHIPS 900,510, (Mar. 28, 1945). UNCLASSIFIED.
- 3) U. S. Navy and Bureau of Ships, Antenna Data Sheets, Shipboard Antenna Details Chapter 5, NAVSHIPS 900121(A), (Jan. 1, 1959). CONFIDENTIAL.

ANTENNA 66040

FREQUENCY: MF and HF bands, 1.5 - 12 mc.

TYPE: Whip.

ASSOCIATED EQUIPMENT: Navy Model TCS Radio Equipment. Equipment function - communications.

STOCK NUMBER: Federal Stock Number N5820-254-
7183.

REFERENCE:

U. S. Navy, Navy Stock List of the Electronics Supply Office, (Feb. 1958). UNCLASSIFIED.

UNCLASSIFIED

ANTENNA ASSEMBLY 66042

FREQUENCY: VHF band, 70 - 90 mc.

TYPE: Ground-plane antenna.

DESCRIPTION: The antenna assembly consists of a telescoping vertical whip, an octagonal-wheel ground-plane of steel tubing, and a supporting tower. The assembly weighs 71 pounds.

BEAM DATA:

Polarization - Vertical.

INSTALLATION: Buoy mounted. The antenna assembly is mounted on a Sono-Radio Buoy Model JM-4 anchored offshore.

ASSOCIATED EQUIPMENT: Transmitter of Sono-Radio Buoy Model JM-4. Equipment function - countermeasures, monitoring.

MANUFACTURER: Airplane and Marine Instruments Co.

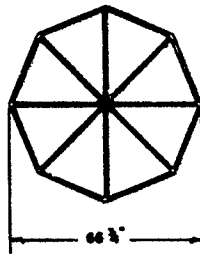
STOCK NUMBER: Federal Stock Number F5985-249-4317.

REFERENCES:

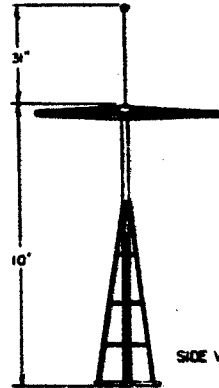
- 1) U. S. Navy Bureau of Ships, Antenna Data Sheets, Shipboard Antenna Details, Chapter 5, NAVSHIPS 900121(A), (Jan. 1, 1959). CONFIDENTIAL.

2) U. S. Navy, Navy Stock List of the Electronics Supply Office, (Feb. 1958). UNCLASSIFIED.

3) NAVSHIPS 900,011-IB.



TOP VIEW



SIDE VIEW

Antenna 66042

ANTENNA 66043

FREQUENCY: VHF band, 40.1 mc.

TYPE: Whip.

ASSOCIATED EQUIPMENT: Navy Model TCL-2 Radio Equipment. Equipment function - communications.

MANUFACTURER: Doolittle Radio, Inc.

STOCK NUMBER: Federal Stock Number M5985-249-4376.

REFERENCES:

- 1) U. S. Navy, Navy Stock List of the Electronics Supply Office, (Feb. 1958). UNCLASSIFIED.
- 2) Doolittle drawing A-1004 rev. 0.

ANTENNA 66044(*)

FREQUENCY: VHF band, 30 - 42 mc.

TYPE: Whip.

DESCRIPTION: The antenna consists of a 6-foot tapered whip, a spring mounting base, and a mounting bracket. The whip is made of cadmium-plated vanadium steel and has at its lower end a screw fitting for fastening to the spring mounting base. This base consists of a stainless steel, tapered helical spring clamped in place by two molded bakelite fittings. It is attached to the mounting bracket by six bolts. The antenna weighs 20 pounds.

INSTALLATION: Ground, shipboard, and airborne.

ASSOCIATED EQUIPMENT: Navy Models MN, MN-1, MN-2, MN-3, MN-4, and MN-5 Radio Transmitting and Receiving Equipment. Equipment function - communications. Radio Equipments RBK-14, RBR-14, and RDC-1.

MISCELLANEOUS: Antenna 66044(*) denotes Antenna 66044 and 66044A. Antenna 66044A is the same as Antenna 66044, but it does not have the mounting spring at its base.

COGNIZANT AGENCY: U. S. Navy, BuShips.

MANUFACTURER: Fred M. Link, contracts NXs-3834, NXss-14291, NXss-20219, NXss-30781, NXso-32191, NXsr-41011, and NXsr-49343.

UNCLASSIFIED

STOCK NUMBERS:

66044 Federal Stock Number N5985-249-4365,
Navy Stock Number F16-A-54466-6141.
66044A ... Federal Stock Number N5985-249-4364,
Navy Stock Number F16-A-54466-6121.

Data Sheets, Shipboard Antenna Details, Chapter 5, NAVSHIPS 900121(A), (Jan. 1, 1959). CONFIDENTIAL.

2) U. S. Navy, Navy Stock List of the Electronics Supply Office, (Feb. 1958). UNCLASSIFIED.

REFERENCES:

1) U. S. Navy and Bureau of Ships, Antenna



ANTENNA 66046

FREQUENCY: MF and HF bands, 0.5 - 30 mc.

TYPE: Whip.

DESCRIPTION: The antenna is a 28-foot non-telescoping whip made up of four aluminum sections, one 2-1/2 inches in diameter and 7-1/2 feet long, one 2 inches in diameter and 7-1/2 feet long, one 1-1/2 inches in diameter and 7-1/4 feet long, and one 1 inch in diameter and 7 feet long. The total weight of the antenna is approximately 55 pounds.

INSTALLATION: Shipboard.

ASSOCIATED EQUIPMENT: Navy Models RAO-9, RDG, and similar radio equipment. Equipment function - communications.

MANUFACTURER: Premax Products Division, Chisholm Co., Inc. and Kings Electronics Co., Inc.

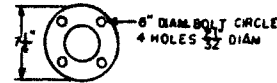
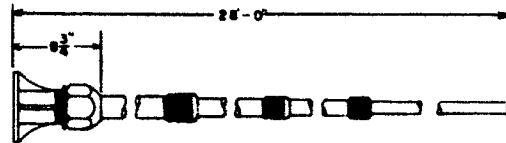
STOCK NUMBER: Federal Stock Number N5985-369-5530.

REFERENCES:



1) U. S. Navy, Navy Stock List of the Electronics Supply Office, (Feb. 1958). UNCLASSIFIED.

2) U. S. Navy Bureau of Ships, Antenna Data Sheets, Shipboard Antenna Details, Chapter 5, NAVSHIPS 900121(A), (Jan. 1, 1959). CONFIDENTIAL.



Antenna 66046

ANTENNA 66047

FREQUENCY: MF and HF band, 0.3 - 30 mc.

TYPE: Whip.

DESCRIPTION: The antenna is a 35-foot nontele-scoping whip made up of five aluminum sections, one 3 inches in diameter and 7-3/4 feet long, one 2-1/2 inches in diameter and 7-1/2 feet long, one 2 inches in diameter and 7-1/2 feet long, one 1-1/2 inches in diameter and 7-1/4 feet long, and one 1 inch in diameter and 7 feet long. The total weight of the antenna is 70 pounds.

INSTALLATION: Shipboard.

ASSOCIATED EQUIPMENT: Navy Model TCK, AN/URT-4, and similar radio equipment. Equipment function - communications.

MANUFACTURER: Premax Products Division, Chisholm Co., Inc. and Kings Electronics Co., Inc.

STOCK NUMBER: Federal Stock Number N5985-349-5340.

REFERENCES:

1) U. S. Navy, Navy Stock List of the Electronics Supply Office, (Feb. 1958). UNCLASSIFIED.

2) U. S. Navy Bureau of Ships, Antenna Data Sheets, Shipboard Antenna Details, Chapter 5, NAVSHIPS 900121(A), (Jan. 1, 1959). CONFIDENTIAL.



ANTENNA 66049

FREQUENCY: VHF band, 70 - 90 mc.

TYPE: Ground-plane antenna with plate-type ground plane.

UNCLASSIFIED

INSTALLATION: Buoy mounted. 4318.

ASSOCIATED EQUIPMENT: Navy Model UM-2 Sono-Radio Buoy Transmitter. Equipment function - countermeasures, monitoring. REFERENCE: U. S. Navy, Navy Stock List of the Electronics Supply Office, (Feb. 1958). UNCLASSIFIED.

STOCK NUMBER: Federal Stock Number F5985-249-

.....

ANTENNA 66050

FREQUENCY: VHF band, 56 - 85 mc. MANUFACTURER: Friez Instrument Division, Bendix Aviation Corp., Baltimore, Md., contract NOs-81206.

TYPE: Dipole.

INSTALLATION: Ground or shipboard. REFERENCE: U. S. Navy, Navy Stock List of the Electronics Supply Office, (Feb. 1958). UNCLASSIFIED.

ASSOCIATED EQUIPMENT: Navy Model RAU-2 Radiosonde Receiving Equipment. Equipment function - meteorological measurement.

.....

ANTENNA 66053

FREQUENCY: HF band, 9.35 mc. 0437.

TYPE: Whip.

DESCRIPTION: The antenna is a 25-foot nontele-scoping whip made up of three sections which screw together. REFERENCES: 1) U. S. Navy, Navy Stock List of the Electronics Supply Office, (Feb. 1958). UNCLASSIFIED.

INSTALLATION: Shipboard, surface and submarine. 2) U. S. Navy Bureau of Ships, Antenna Data Sheets, Shipboard Antenna Details, Chapter 5, NAVSHIPS 900121(A), (Jan. 1, 1959). CONFIDENTIAL.

MANUFACTURER: Z and W Machine Products, Inc.

STOCK NUMBER: Federal Stock Number N5985-665-

.....

ANTENNA 66064

FREQUENCY: MF and HF bands, 1.6 - 18.2 mc. MANUFACTURER: Airplane and Marine Instruments, Inc., Clearfield, Pa., contracts NOs-98284, NKs-19775, and NKs-31234.

TYPE: Whip.

DESCRIPTION: The antenna is a telescoping whip, 57 inches long extended and 14-1/2 inches long collapsed. The upper section is made of stainless steel, and the lower section is made of nickel-plated, chrome-finished, brass tubing. STOCK NUMBER: Federal Stock Number N5985-642-8405.

The antenna mounts by a CAG 674P jumbo plug into a socket on the top of the DAG series receiver and is used as a sense antenna. REFERENCES: 1) U. S. Navy, Navy Stock List of the Electronics Supply Office, (Feb. 1958). UNCLASSIFIED.

ASSOCIATED EQUIPMENT: Navy Models DAG, DAG-1, and DAG-2 Portable Radio Direction Finding Equipment. Equipment function - countermeasures, direction finding. 2) U. S. Navy Bureau of Ships, Antenna Data Sheets, Shipboard Antenna Details, Chapter 5, NAVSHIPS 900121(A), (Jan. 1, 1959). CONFIDENTIAL.

COGNIZANT AGENCY: U. S. Navy, BuShips.

.....

ANTENNA 66068

FREQUENCY: MF band, 2.436 mc. ASSOCIATED EQUIPMENT: Navy Model MU Radio Transmitting and Receiving Equipment.

TYPE: Whip.

UNCLASSIFIED

STOCK NUMBER: Federal Stock Number F5985-249-4347.

U. S. Navy, Navy Stock List of the Electronics Supply Office, (Feb. 1958). UNCLASSIFIED.

REFERENCE:

.....

ANTENNA 66069

FREQUENCY: MF band, 2.772 mc.

STOCK NUMBER: Federal Stock Number F5985-249-4348.

TYPE: Whip.

REFERENCE:

ASSOCIATED EQUIPMENT: Navy Model MU Radio Transmitting and Receiving Equipment.

U. S. Navy, Navy Stock List of the Electronics Supply Office, (Feb. 1958). UNCLASSIFIED.

.....

ANTENNA 66070

FREQUENCY: HF band, 3.035 mc.

STOCK NUMBER: Federal Stock Number N5985-249-4351.

TYPE: Whip.

REFERENCE:

ASSOCIATED EQUIPMENT: Navy Model MV Radio Transmitting and Receiving Equipment.

U. S. Navy, Navy Stock List of the Electronics Supply Office, (Feb. 1958). UNCLASSIFIED.

.....

ANTENNA 66071

FREQUENCY: MF band, 3.155 mc.

STOCK NUMBER: Federal Stock Number N5985-249-4352.

TYPE: Whip.

REFERENCE:

ASSOCIATED EQUIPMENT: Navy Model MV Radio Transmitting and Receiving Equipment.

U. S. Navy, Navy Stock List of the Electronics Supply Office, (Feb. 1958). UNCLASSIFIED.

.....

ANTENNA 66072

FREQUENCY: HF band, 3.585 mc.

STOCK NUMBER: Federal Stock Number N5985-249-4353.

TYPE: Whip.

REFERENCE:

ASSOCIATED EQUIPMENT: Navy Model MW Radio Transmitting and Receiving Equipment.

U. S. Navy, Navy Stock List of the Electronics Supply Office, (Feb. 1958). UNCLASSIFIED.

.....

ANTENNA 66073

FREQUENCY: HF band, 3.725 mc.

STOCK NUMBER: Federal Stock Number N5985-249-4354.

TYPE: Whip.

REFERENCE:

ASSOCIATED EQUIPMENT: Navy Model MW Radio Transmitting and Receiving Equipment.

U. S. Navy, Navy Stock List of the Electronics Supply Office, (Feb. 1958). UNCLASSIFIED.

.....

ANTENNA 66074

FREQUENCY: HF band, 3.865 mc.

STOCK NUMBER: Federal Stock Number N5985-249-4355.

TYPE: Whip.

REFERENCE:

ASSOCIATED EQUIPMENT: Navy Model MW Radio Transmitting and Receiving Equipment.

U. S. Navy, Navy Stock List of the Electronics Supply Office, (Feb. 1958). UNCLASSIFIED.

UNCLASSIFIED

ANTENNA 66075

FREQUENCY: HF band, 3.995 mc.

STOCK NUMBER: Federal Stock Number N5985-249-4356.

TYPE: Whip.

REFERENCE:
U. S. Navy, Navy Stock List of the Electronics Supply Office, (Feb. 1958). UNCLASSIFIED.

ASSOCIATED EQUIPMENT: Navy Model MX Radio Transmitting and Receiving Equipment.

.....

ANTENNA 66076

FREQUENCY: HF band, 4.105 mc.

STOCK NUMBER: Federal Stock Number N5985-249-4357.

TYPE: Whip.

REFERENCE:
U. S. Navy, Navy Stock List of the Electronics Supply Office, (Feb. 1958). UNCLASSIFIED.

ASSOCIATED EQUIPMENT: Navy Model MX Radio Transmitting and Receiving Equipment.

.....

ANTENNA 66077

FREQUENCY: HF band, 4.435 mc.

STOCK NUMBER: Federal Stock Number N5985-249-4358.

TYPE: Whip.

REFERENCE:
U. S. Navy, Navy Stock List of the Electronics Supply Office, (Feb. 1958). UNCLASSIFIED.

ASSOCIATED EQUIPMENT: Navy Model MX Radio Transmitting and Receiving Equipment.

.....

ANTENNA ASSEMBLY 66060

FREQUENCY: VHF band, 30 - 42 mc.

REFERENCES:
1) U. S. Navy Bureau of Ships, Antenna Data Sheets, Shipboard Antenna Details, Chapter 5, NAVSHIPS 900121(A), (Jan. 1, 1959). CONFIDENTIAL.

TYPE: Whip.

2) NAVSHIPS 95139, 95140, and 95141: Instruction Books for Navy Models MN-1, MN-2, and MN-3 Radio Transmitting and Receiving Equipment.

DESCRIPTION: The antenna is a six-section telescopic whip. Its extended length is 83 inches and its collapsed length is 18 inches. It weighs 0.5 pound. The base of the antenna is terminated with a fitting which mates with the antenna base mounted on the case of the associated equipment.

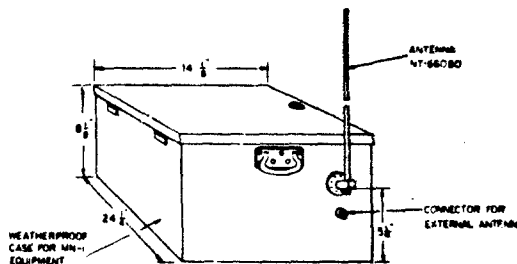
INSTALLATION: Ground, shipboard, and airborne.

ASSOCIATED EQUIPMENT: Navy Models MN-1, MN-2, and MN-3 Radio Transmitting and Receiving Equipment. Equipment function - communications.

COGNIZANT AGENCY: U. S. Navy, BuShips.

MANUFACTURER: Fred M. Link, contracts NXss-14291, NXss-20219, and NXss-30781.

STOCK NUMBER: Federal Stock Number N5985-249-4366.



Antenna 66060

.....

ANTENNA 66061(*)

FREQUENCY: MF and HF bands, 2.3 - 4.5 mc.

DESCRIPTION: The antenna is a telescopic whip, 85 inches long extended and 15-1/8 inches long collapsed. It weighs 1 pound.

TYPE: Whip.

UNCLASSIFIED

ASSOCIATED EQUIPMENT: Navy Models MAB-1 and DAV-2 Equipment. Equipment function - communications.

MANUFACTURER: Communications Co., Inc., Coral Gables, Fla., contract NXSr-59061.

MISCELLANEOUS: The nomenclature 66081-(*) denotes 66031 and 66081-A. The 66081-A has a frequency range from 2.15 to 4.95 mc and consequently may have slightly different dimensions from those given above.

STOCK NUMBERS: Federal Stock Number N5985-249-4345 (66081), Federal Stock Number N5985-249-4344 (66081-A).

REFERENCE:
U. S. Navy, Navy Stock List of the Electronics Supply Office, (Feb. 1958). UNCLASSIFIED.

COGNIZANT AGENCY: U. S. Navy, BuShips.

.....

ANTENNA 66082

FREQUENCY: LF and MF bands, 0.2 - 2.0 mc.

STOCK NUMBER: Federal Stock Number N6625-296-5107.

TYPE: Whip.

REFERENCE:
U. S. Navy, Navy Stock List of the Electronics Supply Office, (Feb. 1958). UNCLASSIFIED.

ASSOCIATED EQUIPMENT: Navy Model OAN Test Oscillator Equipment. Equipment function - test.

.....

ANTENNA 66086

FREQUENCY: MF and HF bands, 1.5 - 30 mc.

REFERENCES:
1) U. S. Navy, Navy Stock List of the Electronics Supply Office, (Feb. 1958). UNCLASSIFIED.

TYPE: Whip.

2) U. S. Navy Bureau of Ships, Installation and Calibration of Direction Finders, Shipboard Antenna Details, Chapter 7, NAVSHIPS 900121(A), (Jan. 1, 1959). UNCLASSIFIED.

INSTALLATION: Shipboard and ground.

ASSOCIATED EQUIPMENT: Navy Models TDV and MZ Radio Equipment.

STOCK NUMBER: Federal Stock Number N5985-249-4339.

.....

ANTENNA 66087

FREQUENCY: HF and VHF bands, 28 - 80 mc.

STOCK NUMBER: Federal Stock Number N5985-249-4361.

TYPE: Whip.

REFERENCE:
U. S. Navy, Navy Stock List of the Electronics Supply Office, (Feb. 1958). UNCLASSIFIED.

ASSOCIATED EQUIPMENT: Navy Model TBY-6 Ultra Portable Transmitting and Receiving Equipment.

.....

ANTENNA 66088

FREQUENCY: VHF band, 241 - 251 mc.

timing is such that the beam is directed to the right for a long and then a short period of time corresponding to the Morse-code letter "A", and to left for a short, then a long period of time corresponding to the letter "N". The left and right lobes overlap and the "A" and "N" signals combine to produce a continuous dash. This "on course" signal is 0.6° wide at 7 nautical miles and 1° wide at 9 nautical miles.
Polarization - Vertical.

TYPE: Mattress antenna.

DESCRIPTION: The antenna consists of a flat rectangular reflector, 52 inches high and 80 inches wide, with four vertical dipoles mounted in a horizontal row in front of the reflector.

BEAM DATA:

Beam type - The antenna has a lobe switch which switches the transmitted beam first to the left and then to the right. The switch

UNCLASSIFIED

INSTALLATION: Shipboard.

ASSOCIATED EQUIPMENT: Navy Model YL Radio Beacon Equipment. Equipment function - navigation, surface reference. The equipment is used to guide landing craft from the transport vessel to the beach where landing operations are to take place.

COGNIZANT AGENCY: U. S. Navy, BuShips.

MANUFACTURER: Federal Telephone and Radio Corporation, Newark, N. J., contract NXss-27344.

STOCK NUMBER: Navy Fl6-A-48590-9900.

REFERENCES:

- 1) Department of the Navy Bureau of Ships,

Navy Model YL Radio Beacon Equipment, Instruction Book, NAVSHIPS 900, 249-1B, (April 10, 1943). UNCLASSIFIED.

- 2) U. S. Navy, Navy Stock List of the Electronics Supply Office, (Feb. 1958). UNCLASSIFIED.

- 3) U. S. Navy Bureau of Ships, Antenna Data Sheets, Shipboard Antenna Details, Chapter 5, NAVSHIPS 900121(A), (Jan. 1, 1959). CONFIDENTIAL.



Antenna 66088 Front View



Antenna 66088 Side View



ANTENNA ASSEMBLY 66089

FREQUENCY: VHF band, 72.5 mc.

TYPE: Ground-plane antenna.

DESCRIPTION: The antenna consists of a vertical quarter-wavelength hollow brass rod and a ground plane made up of four radial hollow brass rods. It is fed by an RG-8/U transmission line.

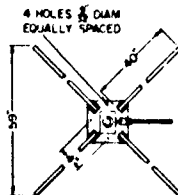
BEAM DATA:

Beam type - Omnidirectional in azimuth.

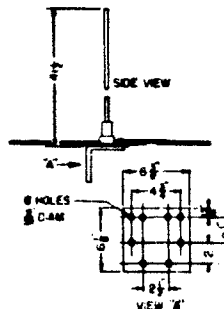
Polarization - Vertical.

INSTALLATION: Shipboard.

ASSOCIATED EQUIPMENT: Navy Models TBY, TBS, and MBF Radio Equipment.



TOP VIEW



VIEW 'A'

Antenna Assembly 66089

UNCLASSIFIED

STOCK NUMBER: Federal Stock Number N5985-470-7395.

U. S. Navy Bureau of Ships, Antenna Data Sheets, Shipboard Antenna Details, Chapter 5, NAVSHIPS 900121(A), (Jan. 1, 1959).
CONFIDENTIAL.

REFERENCE:



ANTENNA 66091

FREQUENCY: VHF band, 115 - 156 mc.

tronic Supply Office, (Feb. 1958). UNCLASSIFIED.

TYPE: Ground-plane antenna.

- 2) U. S. Navy Bureau of Ships, Antenna Data Sheets, Shipboard Antenna Details, Chapter 5, NAVSHIPS 900121(A), (Jan. 1, 1959).
CONFIDENTIAL.

DESCRIPTION: The antenna consists of a vertical telescoping rod and a ground plane made up of four equally-spaced radial rods. The length of the vertical element can be adjusted and locked in position for optimum performance at a given frequency. The antenna is fed by a 50-ohm coaxial cable.

ASSOCIATED EQUIPMENT: Navy Models TDT and TDQ Radio Transmitting Equipment and Radio Set AN/ARC-1.

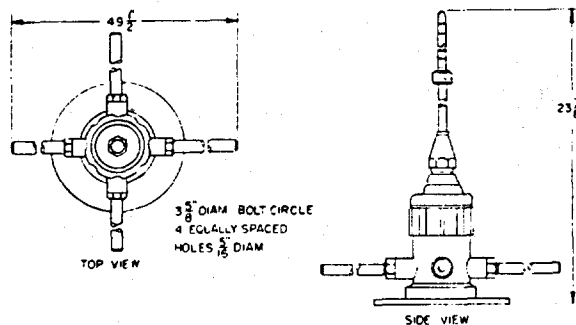
COGNIZANT AGENCY: U. S. Navy, BuShips.

MANUFACTURER: Aircraft Accessories Corp., Kansas City, Mo., contract NXss-30269.

STOCK NUMBER: Federal Stock Number N5985-090-2634.

REFERENCES:

- 1) U. S. Navy, Navy Stock List of the Elec-



Antenna 66091



ANTENNA 66093

FREQUENCY: LF and MF bands, 0.25 - 1.5 mc.

- 1) U. S. Navy, Navy Stock List of the Electronics Supply Office, (Feb. 1958). UNCLASSIFIED.

TYPE: Whip.

- 2) U. S. Navy Bureau of Ships, Antenna Data Sheets, Shipboard Antenna Details, Chapter 5, NAVSHIPS 900121(A), (Jan. 1, 1959).
CONFIDENTIAL.

DESCRIPTION: The antenna is a 25-foot vertical whip consisting of three stainless steel sections mounted on a cast aluminum base. An insulator supports the whip 3 feet above the base. The antenna weighs 43 pounds and is fed by an RG-24/U cable.

INSTALLATION: Shipboard.

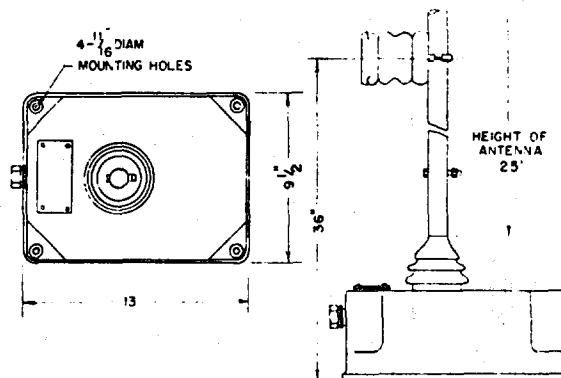
ASSOCIATED EQUIPMENT: Navy Models DAK-2 and DAK-3 Radio Direction Finding Equipment. Equipment function - direction finding (sense antenna).

COGNIZANT AGENCY: U. S. Navy, BuShips.

MANUFACTURER: Federal Telephone and Radio Corporation, Newark, N. J., contract NXss-33628.

STOCK NUMBER: Federal Stock Number F5985-243-8418.

REFERENCES:



Antenna 66093



UNCLASSIFIED

ANTENNA 66095

FREQUENCY: VHF band, 135 mc.

TYPE: Dipole.

DESCRIPTION: The antenna is a fixed, half-wave dipole constructed of brass tubing and weighing 17 pounds.

BEAM DATA:

Polarization - Vertical.

TUNING/MATCHING DEVICES: The antenna has a concentric, two-step matching section to couple to a 50-ohm coaxial cable.

INSTALLATION: Shipboard.

ASSOCIATED EQUIPMENT: Navy Models TDQ, RCK, and other radio equipment.

COGNIZANT AGENCY: U. S. Navy, BuShips.

MANUFACTURER: Granite State Machine Co., Inc., Manchester, N. H., contract NObsr-71604.

STOCK NUMBER: Federal Stock Number F5985-254-7154.

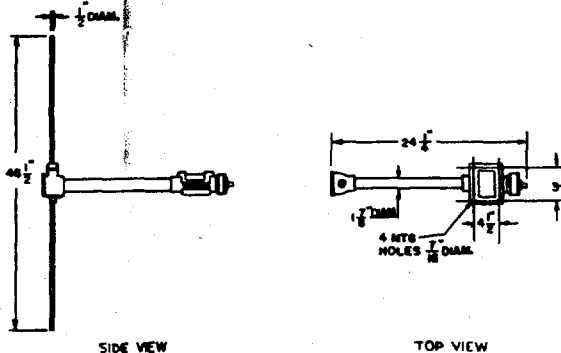
REFERENCES:

1) U. S. Navy, Navy Stock List of the Elec-

tronics Supply Office, (Feb. 1958). UNCLASSIFIED.

2) U. S. Navy Bureau of Ships, Antenna Data Sheets, Shipboard Antenna Details, Chapter 5, NAVSHIPS 900121(A), (Jan. 1, 1959). CONFIDENTIAL.

3) NAVSHIPS 92940: Technical Manual for Antenna Assembly NT-66095.



Antenna 66095



ANTENNA ASSEMBLY 66096

MAJOR COMPONENTS: 1 66097 loop antenna, 1 47367 loop coupling unit, and 50 feet of 325K cable.

MISCELLANEOUS: Antenna Assembly 66096 is obsolete because Loop Coupling Unit 47367 is no longer used. See Loop Antenna 66097,

REFERENCE:

U. S. Navy Bureau of Ships, Antenna Data Sheets, Shipboard Antenna Details, Chapter 5, NAVSHIPS 900121(A), (Jan. 1, 1959). CONFIDENTIAL.



LOOP ANTENNA 66097

FREQUENCY: VLF and LF band, 0.015 - 0.0775 mc.

TYPE: Loop antenna.

DESCRIPTION: The antenna is an electrostatically shielded loop housed in a rubber-covered bronze casting. A 50-foot, two-conductor, shielded, rubber-covered cable is permanently attached to the loop. The antenna and cable weigh 143 pounds.

BEAM DATA:

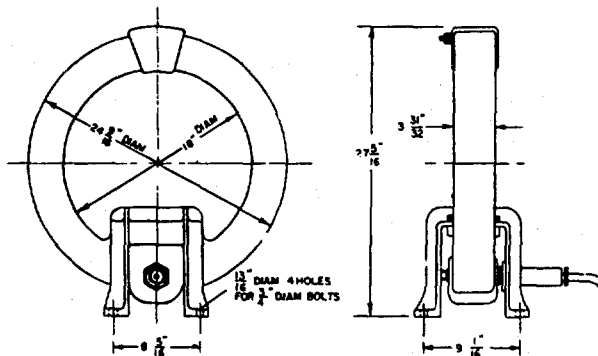
Beam type - Figure eight.

Polarization - Vertical.

INSTALLATION: Shipboard, submarine.

ASSOCIATED EQUIPMENT: Navy Model RAK Radio Receiving Equipment.

STOCK NUMBER: Federal Stock Number F5985-470-7329.



Loop Antenna 66097

UNCLASSIFIED

REFERENCES:

- 1) U. S. Navy Bureau of Ships, Antenna Data Sheets, Shipboard Antenna Details, Chapter 5, NAVSHIPS 900121(A), (Jan. 1, 1959). CONFIDENTIAL.

- 2) U. S. Navy, Navy Stock List of the Electronics Supply Office, (Feb. 1958). UNCLASSIFIED.
- 3) NAVSHIPS 900,505.

.....

ANTENNA 66102

INSTALLATION: Ground or shipboard.

ASSOCIATED EQUIPMENT: Navy Model MAH Radio Equipment. Equipment function - communications.

COGNIZANT AGENCY: U. S. Navy, BuShips.

MANUFACTURER: Western Electric Co., New York, N. Y., contract NXsr-65292.

REFERENCES:

- 1) U. S. Navy, Navy Stock List of the Electronics Supply Office, (Feb. 1958). UNCLASSIFIED.
- 2) NAVSHIPS 900420-1B: Technical Manual for Radio Transmitting and Receiving Equipment Model MAH.

.....

ANTENNA ASSEMBLY 66109, 66110, 66111, 66112, 66113, and 66114

FREQUENCY: VHF band, 90 - 300 mc (66111 and 66112); UHF band, 300 - 1000 mc (66109 and 66110); UHF band, 1000 - 3000 mc (66113 and 66114).

TYPE: Probably a cut paraboloidal reflector fed by two dipoles.

DESCRIPTION: Each antenna consists of two dipoles mounted in front of a reflector.

BEAM DATA:

Beam type - Two main lobes with a null point between them.

Polarization - Horizontal (66109, 66111, and 66113).

Vertical (66110, 66112 and 66114).

INSTALLATION: Shipboard and ground.

ASSOCIATED EQUIPMENT: Navy Model DBB Portable Radio Direction Finding Equipment. Equipment function - countermeasures, direction finding.

MANUFACTURER: Federal Telephone and Radio Corporation, contract NXsr-53339.

STOCK NUMBERS: Federal Stock Numbers F5985-408-8723 (66112) and F5985-408-8725 (66114).

REFERENCES:

- 1) Albert F. Lopez, Robert C. Moore, Directory of Intercept and Analysis Equipment, Report No. 63.6-F. State College, Pennsylvania; Haller, Raymond and Brown, Inc., (Oct. 31, 1956). SECRET.
- 2) U. S. Navy, Navy Stock List of the Electronics Supply Office, (Feb. 1958). UNCLASSIFIED.

.....

ANTENNA ASSEMBLY 66115, 66116, and 66117

FREQUENCY: VHF band, 90 - 300 mc (66115); UHF band, 300 - 1000 mc (66116); UHF band, 1000 - 3000 mc (66117).

TYPE: Probably cut paraboloidal reflector fed by two dipoles.

DESCRIPTION: Each antenna consists of two dipoles mounted in front of a reflector.

BEAM DATA:

Beam type - Two main lobes with a null point between them.

Polarization - Horizontal, vertical, or any angle between.

INSTALLATION: Shipboard and ground.

ASSOCIATED EQUIPMENT: Navy Model DBB-1 Portable Radio Direction Finding Equipment. Equipment function - countermeasures, direction finding.

MANUFACTURER: Federal Telephone and Radio Corporation, contract NXsr-53339.

REFERENCE:

Albert F. Lopez, Robert C. Moore, Directory of Intercept and Analysis Equipment, Report No. 63.6-F. State College, Pennsylvania; Haller, Raymond and Brown, Inc., (Oct. 31, 1956). SECRET.

.....

UNCLASSIFIED

ANTENNA 66118

FREQUENCY: MF and HF bands, 1.5 - 12 mc.

STOCK NUMBER: Federal Stock Number F5985-090-2668.

TYPE: Whip.

ASSOCIATED EQUIPMENT: Navy Model M2-2 Mobile Radio Transmitting and Receiving Equipment.

REFERENCE:
U. S. Navy, Navy Stock List of the Electronics Supply Office, (Feb. 1958). UNCLASSIFIED.

.....

ANTENNA 66119

FREQUENCY: VHF band, 30 - 42 mc.

MANUFACTURER: Fred M. Link, New York, N. Y., contracts NXsr-41011, NXsr-48343.

TYPE: Whip.

STOCK NUMBER: Federal Stock Number N5985-249-4363.

DESCRIPTION: The antenna is a 75-inch whip weighing 3 pounds.

REFERENCES:
1) NAVSHIPS 95143: Preliminary Instruction Book for Navy Model MN-5 Radio Transmitting and Receiving Equipment.

INSTALLATION: Ground, shipboard, and airborne.

ASSOCIATED EQUIPMENT: Navy Model MN-5 Radio Transmitting and Receiving Equipment. Equipment function - communications.

2) U. S. Navy, Navy Stock List of the Electronics Supply Office, (Feb. 1958). UNCLASSIFIED.

COGNIZANT AGENCY: U. S. Navy, BuShips.

.....

ANTENNA 66120

FREQUENCY: VHF band, 30 - 40 mc.

MANUFACTURER: Fred M. Link, New York, N. Y., Contracts NXsr-41011 and NXsr-48343.

TYPE: Whip.

STOCK NUMBER: Federal Stock Number N5985-249-4362.

DESCRIPTION: The antenna is a 78-inch whip weighing 3-1/3 pounds.

REFERENCES:
1) U. S. Navy, Navy Stock List of the Electronics Supply Office, (Feb. 1958). UNCLASSIFIED.

INSTALLATION: Ground, shipboard, and airborne.

ASSOCIATED EQUIPMENT: Navy Model MN-5 Radio Transmitting and Receiving Equipment. Equipment function - communications.

2) NAVSHIPS 95143: Preliminary Instruction Book for Navy Model MN-5 Radio Transmitting and Receiving Equipment.

COGNIZANT AGENCY: U. S. Navy, BuShips.

.....

ANTENNA 66121 and 66122

FREQUENCY: UHF band, 300 - 310 mc.

REFERENCES:
1) U. S. Navy, Navy Stock List of the Electronics Supply Office, (Feb. 1958). UNCLASSIFIED.

TYPE: Dipole.

ASSOCIATED EQUIPMENT: Navy Model MAE-1 Radio Transmitting and Receiving Equipment.

2) Alreon drawings L-21418 rev.0 and L-21419 rev.0.

MANUFACTURER: Alreon Manufacturing Corp.

STOCK NUMBER: Federal Stock Number N5985-249-4398 (66121), Federal Stock Number N5985-249-4389 (66122).

.....

ANTENNA 66127

FREQUENCY: SHF band, 3813 mc.

ASSOCIATED EQUIPMENT: Navy Model MN-7 FM Radio Transmitting and Receiving Equipment. Equipment function - communications.

TYPE: Whip.

UNCLASSIFIED

MANUFACTURER: Link Radio Corp.

STOCK NUMBER: Federal Stock Number N5820-249-4370.

REFERENCES:

- 1) U. S. Navy, Navy Stock List of the Electronics Supply Office, (Feb. 1958). UNCLASSIFIED.
- 2) Link Radio drawing 1620-32 alt. 0.



ANTENNA ASSEMBLY 66128

FREQUENCY: VHF band, 100 - 160 mc.

TYPE: Crossed-U Adcock array of four ground-plane antennas.

DESCRIPTION: The assembly is a fixed Adcock array with cross-over and sense circuits located in the base. The assembly is constructed of corrosion-resisting aluminum alloy and weighs 25 pounds.

INSTALLATION: Shipboard.

ASSOCIATED EQUIPMENT: Navy Model DBF Radio Direction Finding Equipment. Equipment function - countermeasures, direction finding.

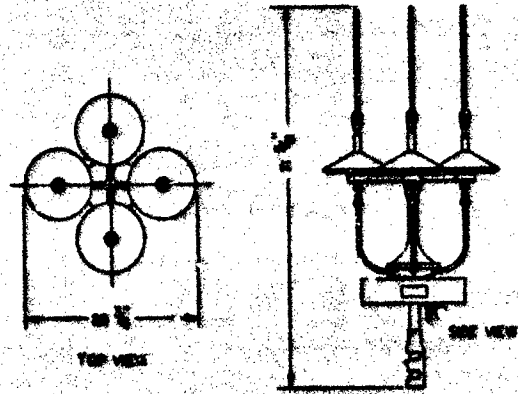
MISCELLANEOUS: Reference 2) states that Navy Model DBF Equipment is obsolete and replaced by AN/URD-2.

STOCK NUMBER: Navy F16-A-44968-1501.

REFERENCES:

- 1) U. S. Navy Bureau of Ships, Antenna Data Sheets, Shipboard Antenna Details, Chapter 5, NAVSHIPS 900121(A), (Jan. 1, 1959). CONFIDENTIAL.

- 2) Albert F. Lopez, Robert C. Moore, Directory of Intercept and Analysis Equipment, Report No. 63.6-F. State College, Pennsylvania: Neller, Raymond and Brown, Inc., (Oct. 31, 1956). SECRET.



Antenna Assembly 66128



ANTENNA ASSEMBLY 66131

FREQUENCY: UHF and SHF bands, 300 - 3300 mc; VSWR < 5.

TYPE: Conical antenna with a ground plane.

DESCRIPTION: The assembly is a cone-type, fixed antenna enclosed in a plastic housing. A fan-shaped ground plane consisting of a metal plate, 3-1/2 inches in radius, and seven rods, 14-1/2 inches long, equally spaced about 25° apart, is attached to the bottom. The antenna weighs 12 pounds and is fed by an RG-18/U cable. Two of the antenna assemblies mounted with the cone at a 45° angle are normally used for each installation.

BEAM DATA:

Polarization: - Horizontal or vertical.

INSTALLATION: Shipboard.

ASSOCIATED EQUIPMENT: Navy Model RDO Radio Receiving Equipment and Radar Sets AN/SPR-2 and AN/SPR-2A. Equipment function - countermeasures.

MISCELLANEOUS: Reference 2) states that AN/SPR-2, AN/SPR-2A and RDO Equipments are

obsolete.

ORGANIZATIONAL AGENCY: U. S. Navy, BuShips.



Antenna Assembly 66131

UNCLASSIFIED

MANUFACTURER: Camfield Manufacturing Co., Grand Haven, Mich., contract NXsr-83365.

STOCK NUMBER: Federal Stock Number N5985-507-9557, Navy F16-A-45495-440.

REFERENCES:

- 1) U. S. Navy Bureau of Ships, Antenna Data Sheets, Shipboard Antenna Details, Chapter 5, NAVSHIPS 900121(A), (Jan. 1, 1959). CONFIDENTIAL.

2) U. S. Navy, Navy Stock List of the Electronics Supply Office, (Feb. 1958). UNCLASSIFIED.

3) Albert F. Lopez, Robert C. Moore, Directory of Intercept and Analysis Equipment, Report No. 63.6-F. State College, Pennsylvania: Haller, Raymond and Brown, Inc., (Oct. 31, 1956). SECRET.

ANTENNA ASSEMBLY 66132(*)

FREQUENCY: VHF and UHF bands, 70 - 400 mc; VSWR < 2.

TYPE: Ground-plane antenna.

DESCRIPTION: The antenna consists of a stub with a fan-shaped ground plane. The stub is constructed of phenolic-impregnated maple covered with a conducting material. The ground plane is composed of metal rods covering a 145° arc. The antenna weighs 30 pounds and is fed by an RG-10/U cable.

INSTALLATION: Shipboard.

ASSOCIATED EQUIPMENT: Navy Model RDO Radio Receiving Equipment. Equipment function - countermeasures, monitoring and countermeasures, search.

MISCELLANEOUS: Reference 3) states that RDO Equipment is obsolete. The nomenclature 66132(*) denotes 66132 and 66132A. The 66132A uses a different radiating stub.

COGNIZANT AGENCY: U. S. Navy, BuShips.

MANUFACTURER: Camfield Manufacturing Co., Grand Haven, Mich., contracts NXsr-83365 and NXsr-2985.

STOCK NUMBER: Federal Stock Number N5985-257-3009 (for 66132), Navy F16-A-45468-7501 (for

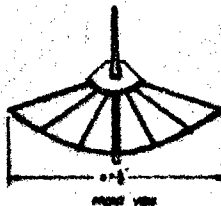
66132), and Federal Stock Number N5985-324-2065 (for 66132A).

REFERENCES:

1) U. S. Navy Bureau of Ships, Antenna Data Sheets, Shipboard Antenna Details, Chapter 5, NAVSHIPS 900121(A), (Jan. 1, 1959). CONFIDENTIAL.

2) U. S. Navy, Navy Stock List of the Electronics Supply Office, (Feb. 1958). UNCLASSIFIED.

3) Albert F. Lopez, Robert C. Moore, Directory of Intercept and Analysis Equipment, Report No. 63.6-F. State College, Pennsylvania: Haller, Raymond and Brown, Inc., (Oct. 31, 1956). SECRET.



Antenna 66132

ANTENNA ASSEMBLY 66134(*)

FREQUENCY: VHF band, 110 - 156 mc.

TYPE: Ground-plane antenna.

DESCRIPTION: The antenna is an inverted "T" consisting of a vertical radiator supported by a metal-spring bridge above a flat metal ground plate. It weighs 56 pounds.

RAW DATA:
Beam Type - Omnidirectional in azimuth.
Polarization - Vertical.

INSTALLATION: Shipboard, submarine.

ASSOCIATED EQUIPMENT: Navy Models TDS and RCR

Radio Equipment and Radio Sets AN/ARC-1 and SCR-624A and similar radio sets. Equipment function - communications.

MISCELLANEOUS: The nomenclature 66134(*) denotes 66134 and 66134A. The 66134A is the 66134 modified to provide more efficient operation over the entire VHF band. The vertical radiator of 66134A is enclosed in a molded neoprene fairing to permit operation at higher submerged speeds.

COGNIZANT AGENCY: U. S. Navy, BuShips.

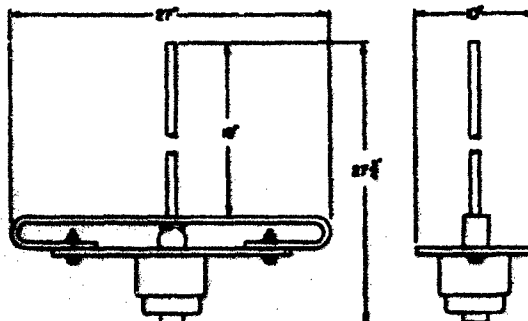
MANUFACTURER: Hazeltine Electronics Corp., New York, N. Y., contract NXsr-7583.

UNCLASSIFIED

STOCK NUMBERS: 66134 ... Federal Stock Number N5985-408-3686, Navy F16-A-52284-700; 66134A ... Federal Stock Number N5985-369-5460, Navy N16-A-52282-700.

REFERENCES:

- 1) U. S. Navy, Navy Stock List of the Electronics Supply Office, (Feb. 1958). UNCLASSIFIED.
- 2) U. S. Navy Bureau of Ships, Antenna Data Sheets. Shipboard Antenna Details, Chapter 5, NAVSHIPS 900121(A), (Jan. 1, 1959). CONFIDENTIAL.
- 3) NAVSHIPS 900,524: Instruction Book for Type CAGR-66134 Antenna Assembly for General Radio Use.



Antenna 66134-(*)

.....
ANTENNA 66125

FREQUENCY: HF and VHF bands, 20 - 39 mc.

TYPE: Dipole.

COGNIZANT AGENCY: U. S. Navy, BuShips.

STOCK NUMBER: Federal Stock Number N5985-665-0440.

REFERENCES:

- 1) U. S. Navy, Navy Stock List of the Electronics Supply Office, (Feb. 1958). UNCLASSIFIED.
- 2) BuShips drawing RA66-F282B.

.....
ANTENNA 66126

FREQUENCY: Probably VHF and UHF bands, 90 - 1200 mc.

TYPE: Probably two cut paraboloidal reflectors with a dipole feed.

BEAM DATA:

Beam type - Unidirectional.
Polarization - Horizontal and vertical.

SCAN DATA: The antenna rotates in azimuth at a rate that can be varied by the operator.

ASSOCIATED EQUIPMENT: Navy Model DBM Direction Finding Equipment. Equipment function - countermeasures, direction finding.

MISCELLANEOUS: Navy Model DBM is a pre-production model of Navy Model DBM-1. Antenna 66134 is probably a pre-production model of Antenna Group 66141.

COGNIZANT AGENCY: U. S. Navy, BuShips.

STOCK NUMBER: Federal Stock Number N5985-408-8722.

REFERENCE:

U. S. Navy, Navy Stock List of the Electronics Supply Office, (Feb. 1958). UNCLASSIFIED.

.....
ANTENNA 66127

FREQUENCY: Probably UHF and SHF bands, 1000 - 5000 mc.

TYPE: Probably two cut paraboloidal reflectors each fed by a dipole assembly.

BEAM DATA:

Beam type - Unidirectional.
Polarization - Horizontal and vertical.

SCAN DATA: The antenna rotates in azimuth at a rate that can be varied by the operator.

ASSOCIATED EQUIPMENT: Navy Model DBM Direction Finding Equipment. Equipment function - countermeasures, direction finding.

countermeasures, direction finding.

MISCELLANEOUS: Navy Model DBM is a pre-production model of Navy Model DBM-1. Antenna 66137 is probably a pre-production model of Antenna Group 66142.

COGNIZANT AGENCY: U. S. Navy, BuShips.

STOCK NUMBER: Federal Stock Number N5985-470-7452.

REFERENCE:

U. S. Navy, Navy Stock List of the Electronics Supply Office, (Feb. 1958). UNCLASSIFIED.

UNCLASSIFIED

ANTENNA 66139

See Antenna Group 66141.

ANTENNA 66140

See Antenna Group 66142.



ANTENNA GROUP 66141

MAJOR COMPONENTS: One 66139 antenna, one 211427 antenna drive unit, and one 10468 antenna housing.

FREQUENCY: VHF and UHF bands, 90 - 1200 mc.

TYPE: One modified cut paraboloidal reflector fed by a horizontal dipole and one cut paraboloidal reflector fed by a vertical dipole.

DESCRIPTION: Antenna 66139 consists of two antennas mounted back-to-back. One antenna is a snowplow-shaped reflector fed by a horizontal V-dipole. The other antenna is a cut paraboloidal reflector fed by a vertical sleeve dipole. A switch enables the operator to select the proper antenna. The antenna group is 33-3/4 inches high and 28-1/2 inches in diameter. It weighs 132 pounds.

BEAM DATA:

Beam type - Unidirectional.

Polarization - Horizontal and vertical.

SCAN DATA: The antenna rotates in azimuth at a rate between 0 and 150 revolutions per minute. The speed can be varied by the operator.

TUNING/MATCHING DEVICES: The dipoles are connected by cable to a balun transformer (bazooks).

INSTALLATION: Shipboard.

ASSOCIATED EQUIPMENT: Navy Model DBM-1 Radio and Radar Direction Finding Equipment. Equipment function - countermeasures, direction finding.

COGNIZANT AGENCY: U. S. Navy, BuShips.

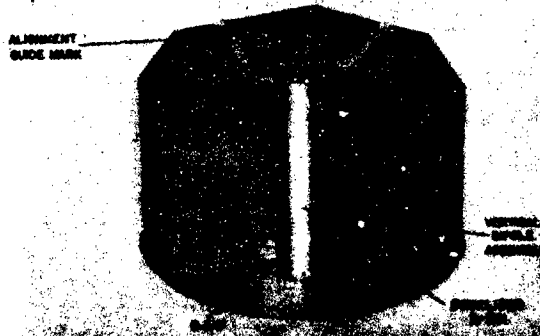
MANUFACTURER: Submarine Signal Co., Boston, Mass., contract H7sr-90024.

STOCK NUMBER: Federal Stock Number F5985-408-8728 (66141).

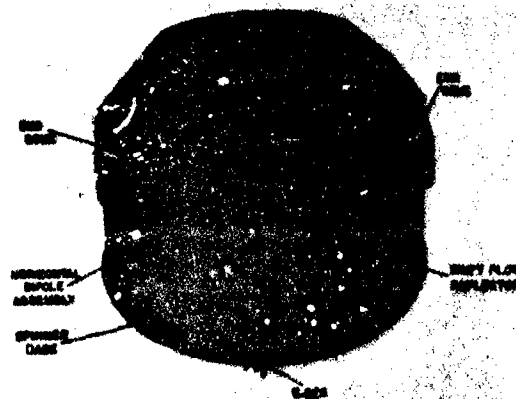
REFERENCES:

- 1) Department of the Navy Bureau of Ships, Radar Direction Finding Equipment Navy Model DBM-1, Instruction Book, NAVSHIPS 900,587(A), (Oct. 17, 1945). UNCLASSIFIED.

- 2) U. S. Navy, Navy Stock List of the Electronics Supply Office, (Feb. 1958). UNCLASSIFIED.
- 3) U. S. Navy Bureau of Ships, Antenna Data Sheets, Shipboard Antenna Details, Chapter 2, NAVSHIPS 900121(A), (Jan. 1, 1959). CONFIDENTIAL.



Antenna 66141 Vertical Element



Antenna 66141 Horizontal Element



UNCLASSIFIED

ANTENNA GROUP 66142

MAJOR COMPONENTS: One 66140 antenna, one 211-427A antenna drive unit, and one antenna housing.

FREQUENCY: UHF and SHF bands, 1000 - 5000 mc.

TYPE: Two cut paraboloidal reflectors, each fed by a dipole assembly.

DESCRIPTION: Antenna 66140 consists of two antennas mounted back-to-back. Each antenna is a cut paraboloidal reflector fed by a sleeve dipole with a reflector rod. The two antennas are identical, but the dipole and reflector rod are horizontal in one antenna and vertical in the other. A switch enables the operator to select the proper antenna. The antenna group is 33-3/4 inches high and 28-1/2 inches in diameter. It weighs 124 pounds.

BEAM DATA:

Beam type - Unidirectional.
Polarization - Horizontal and vertical.

SCAN DATA: The antenna rotates in azimuth at a rate between 0 and 150 revolutions per minute. The speed can be varied by the operator.

INSTALLATION: Shipboard.

ASSOCIATED EQUIPMENT: Navy Model DBM-1 Radio and Radar Direction Finding Equipment. Equipment function - countermeasures, direction finding.

COGNIZANT AGENCY: U. S. Navy, BuShips.

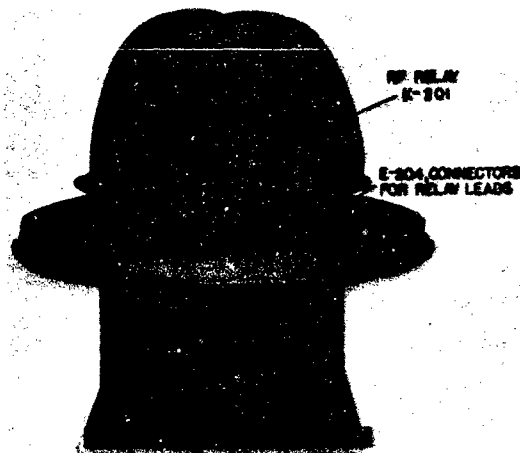
MANUFACTURER: Submarine Signal Co., Boston, Mass., contract NXer-80024.

STOCK NUMBER: Federal Stock Number F5985-408-8734 (66142).

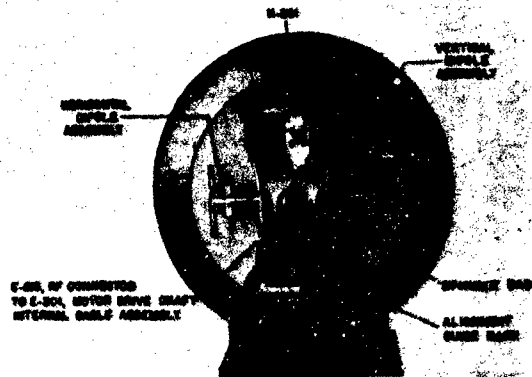
REFERENCES:

- 1) U. S. Navy Bureau of Ships, Radar Direction Finder Equipment Navy Model DBM-1, Instruction Book, NAVSHIPS 900,587(A), (Oct. 17, 1945). UNCLASSIFIED.
- 2) U. S. Navy, Navy Stock List of the Electronics Supply Office, (Feb. 1958). UNCLASSIFIED.

3) U. S. Navy Bureau of Ships, Antenna Data Sheets, Shipboard Antenna Details, Chapter 5, NAVSHIPS 900121(A), (Jan. 1, 1959). CONFIDENTIAL.



Antenna 66142 Side View



Antenna 66142 Top View

ANTENNA 66148

FREQUENCY: VHF band, probably 60 - 80 mc.

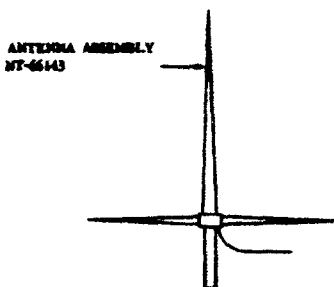
TYPE: Ground-plane antenna.

INSTALLATION: Shipboard.

ASSOCIATED EQUIPMENT: Navy Model MBF Radio Transmitting and Receiving Equipment.

STOCK NUMBERS: Navy F16-A-52279-2501, Federal Stock Number NS985-470-7394.

UNCLASSIFIED



Antenna 66143

REFERENCES:

- 1) U. S. Navy Bureau of Ships, Antenna Systems, Shipboard Antenna Details, Chapter 6, NAVSHIPS 900121(A), (Jan. 1, 1959). UNCLASSIFIED.
- 2) NAVSHIPS 900,590.

ANTENNA 66145-A

FREQUENCY: MF band, 1.7 - 2.0 mc.

STOCK NUMBER: Federal Stock Number N5985-254-7125.

TYPE: Whip.

REFERENCES:

ASSOCIATED EQUIPMENT: Navy Model 60069-B Signal Generator. Equipment function - test.

- 1) U. S. Navy, Navy Stock List of the Electronics Supply Office, (Feb. 1958). UNCLASSIFIED.
- 2) Midwest drawing B-101682.

MANUFACTURER: Midwest Engineering and Development Co.

ANTENNA ASSEMBLY 66147

FREQUENCY: VHF and UHF bands, 225 - 400 mc.

BEAM DATA:

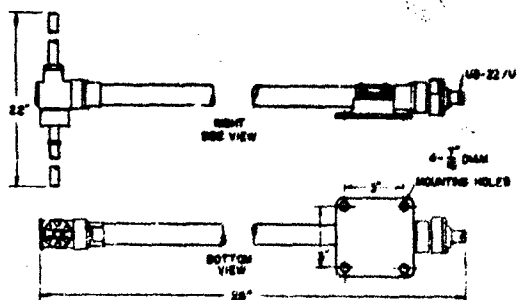
Polarization - Vertical.

TYPE: Dipole.

INSTALLATION: Shipboard.

DESCRIPTION: The antenna is an aluminum center-fed dipole weighing 3-1/2 pounds. It is fed by a 50-ohm RG-18/U cable.

ASSOCIATED EQUIPMENT: Navy Models TDZ, RDZ, MAR, RDR, TLD, and other similar radio transmitting and receiving equipments. Equipment function - communications.



Antenna 66147

STOCK NUMBER: Federal Stock Number N5985-254-7162.

REFERENCES:

- 1) U. S. Navy Bureau of Ships, Antenna Data Sheets, Shipboard Antenna Details, Chapter 5, NAVSHIPS 900121(A), (Jan. 1, 1959). CONFIDENTIAL.
- 2) NAVSHIPS 91357.
- 3) NAVSHIPS 91328.

ANTENNA 66148(*)

FREQUENCY: VHF band, 100 - 150 mc.

of fixed, crossed, half-wave Adcock antennas, an open-ended vertical sense antenna, and a goniometer assembly. The antenna elements are aluminum. The entire assembly weighs 30 pounds.

TYPE: Crossed Adcock antenna with sense element.

DESCRIPTION: The antenna consists of two pairs

UNCLASSIFIED

BEAM DATA:

Beam type - Without sense, double figure eight; with sense, cardioid.
Polarization - Vertical.

INSTALLATION: Ground and shipboard.

ASSOCIATED EQUIPMENT: Navy Models DBF-1 (66148) and DAZ (66148A) Radio Direction Finding Equipment. Equipment function - countermeasures, direction finding.

MISCELLANEOUS: The nomenclature 66148(*) denotes 66148 and 66148A. The 66148A is used with jeep-mounted, mobile equipment.

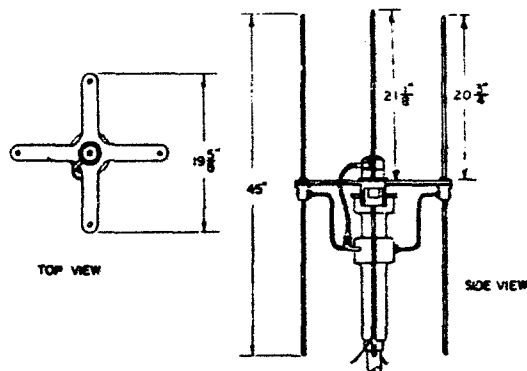
STOCK NUMBER: U. S. Navy F16-A-55186-2387.

REFERENCES:

- 1) U. S. Navy Bureau of Ships, Antenna Data Sheets, Shipboard Antenna Details, Chapter 5, NAVSHIPS 900121(A), (Jan. 1, 1959). CONFIDENTIAL.
- 2) Albert F. Lopez, Robert C. Moore, Directory of Intercept and Analysis Equipment,

Report No. 63.6-F. State College, Pennsylvania: Hailer, Raymond and Brown, Inc., (Oct. 31, 1956). SECRET.

3) NAVSHIPS 900,959.



Antenna 66148

.....
ANTENNA 66157

FREQUENCY: VHF band, 132 - 156 mc.

TYPE: Flat screen reflector with conical dipole feed.

ASSOCIATED EQUIPMENT: Navy Model RBQ-1 Radio Receiving Equipment. Equipment function - communications.

COGNIZANT AGENCY: U. S. Navy, BuShips.

MANUFACTURER: Western Electric Co., Inc., New York, N. Y., contract NXsr-83392.

REFERENCES:

- 1) U. S. Navy, Navy Stock List of the Electronics Supply Office, (Feb. 1958). UNCLASSIFIED.
- 2) NAVSHIPS 900,621: Instruction Book for Radio Receiving Equipment Navy Model RBQ-1.



Antenna 66157

.....
ANTENNA 66188

FREQUENCY: VHF band, 100 - 160 mc.

TYPE: Whip.

ASSOCIATED EQUIPMENT: Navy Model DBF Radio Direction Finding Equipment.

MANUFACTURER: Federal Telephone and Radio Corporation.

STOCK NUMBER: Federal Stock Number NS985-249-4324.

REFERENCES:

- 1) U. S. Navy, Navy Stock List of the Electronics Supply Office, (Feb. 1958). UNCLASSIFIED.
- 2) Federal Telephone and Radio drawing NL-46339-PT2 rev. C.

UNCLASSIFIED

ANTENNA ASSEMBLY 66164

FREQUENCY: LF, MF, and HF bands, 0.25 - 30 mc.

TYPE: Crossed loop antenna with sense element.

DESCRIPTION: The antenna assembly consists of two loops mounted at right angles to each other, a whip-type sense antenna 72 inches long, and a counterpoise of four 72-inch rods mounted 90° apart radially about the base. The antenna, exclusive of the counterpoise, is 18-1/2 inches high and 16-1/2 inches in diameter.

SCAN DATA: The crossed loops rotate in azimuth at 1200 revolutions per minute.

ASSOCIATED EQUIPMENT: Navy Model X-DBH Radio

Direction Finding Equipment. Equipment function - direction finding.

MANUFACTURER: Majestic Radio and Television Corporation.

STOCK NUMBER: Federal Stock Number F5985-408-8733.

REFERENCES:

- 1) U. S. Navy, Navy Stock List of the Electronics Supply Office, (Feb. 1958). UNCLASSIFIED.
- 2) Majestic drawing 1740D1267.

.....

ANTENNA 69AAA

FREQUENCY: MF and HF bands, 2 - 15 mc.

TYPE: Loop.

DESCRIPTION: The antenna is a shielded loop, 16 inches in diameter, constructed of copper wire. It is mounted in a cast aluminum housing.

ASSOCIATED EQUIPMENT: Navy Model CXC Equipment.

MANUFACTURER: Radio Corporation of America.

STOCK NUMBER: Federal Stock Number N5985-369-5366.

REFERENCE:

- U. S. Navy, Navy Stock List of the Electronics Supply Office, (Feb. 1958). UNCLASSIFIED.

.....

ANTENNA 69001

FREQUENCY: LF and MF bands, 0.2 - 1.5 mc.

TYPE: Loop.

SCAN DATA: The antenna can be rotated in azimuth.

STOCK NUMBER: Federal Stock Number N5985-369-5356.

REFERENCE:

- U. S. Navy, Navy Stock List of the Electronics Supply Office, (Feb. 1958). UNCLASSIFIED.

.....

ANTENNA 69908

FREQUENCY: VHF and UHF bands, 100 - 1500 mc.

TYPE: Loop.

DESCRIPTION: The antenna is a loop antenna with a single-wire sense element. The loop is 24 inches in diameter, weighs 14.75 pounds, and is mounted on Pedestal Assembly 69005.

INSTALLATION: Shipboard.

ASSOCIATED EQUIPMENT: Navy Model DO Radio Direction Finder Equipment. Equipment function - navigation, direction finding.

COGNIZANT AGENCY: U. S. Navy, Bureau of Ships.

MANUFACTURER: Radio Corporation of America, Victor Division, Camden, N. J., contract NOs-31569.

UNCLASSIFIED



Antenna 69003.

REFERENCES:

- 1) U. S. Navy, Navy Stock List of the Electronics Supply Office, (Feb. 1958). UNCLASSIFIED.
- 2) Technical Manual for Model DO Radio Direction Finder Equipment.



ANTENNA 69006-A

FREQUENCY: LF and MF bands, 0.1 - 1.5 mc.

TYPE: Loop.

DESCRIPTION: The antenna is a pancake-wound loop which mounts on a pedestal.

SCAN DATA: The antenna can be rotated in azimuth.

ASSOCIATED EQUIPMENT: Navy Model DP-4 Radio Direction Finding Equipment. Equipment function - direction finding.

MANUFACTURER: RCA Victor Division of Radio Corporation of America.

STOCK NUMBER: Federal Stock Number N5985-254-7136.

REFERENCES:

- 1) U. S. Navy, Navy Stock List of the Electronics Supply Office, (Feb. 1958). UNCLASSIFIED.
- 2) RCA drawing I-601567-501.



ANTENNA 69046

FREQUENCY: LF and MF bands, 0.1 - 1.5 mc.

TYPE: Loop.

DESCRIPTION: The antenna is a loop, with a copper-wire winding, 22-1/2 inches in diameter enclosed in an oval-shaped housing.

BEAM DATA:

Beam type - Figure eight (without sense antenna) or cardioid (with sense antenna).

SCAN DATA: The antenna can be rotated manually in azimuth.

INSTALLATION: Shipboard and ground.

ASSOCIATED EQUIPMENT: Navy Models DP-9, DP-12, DP-13, DP-18 and DP-19 Direction Finder Equipment. Equipment function - countermeasures, direction finding.

MISCELLANEOUS: Reference 1) states that Navy Models DP-12, DP-13, DP-18, and DP-19 are

obsolete and are replaced by AN/SRD-6.

COGNIZANT AGENCY: U. S. Navy, BuShips.

MANUFACTURER: Radio Corporation of America, contract NOs-70837.

STOCK NUMBER: Federal Stock Number N5985-408-8621.

REFERENCES:

- 1) Albert F. Lopez, Robert C. Moore, Directory of Intercept and Analysis Equipment, Report No. 63.6-F. State College, Pennsylvania: Haller, Raymond and Brown, Inc., (Oct. 31, 1956). SECRET.
- 2) U. S. Navy, Navy Stock List of the Electronics Supply Office, (Feb. 1958). UNCLASSIFIED.
- 3) NAVSHIPS 05086: Instructions for Models DP-12 and DP-13 Radio Direction Finder Equipment.

UNCLASSIFIED

ANTENNA ASSEMBLY 69074

FREQUENCY: LF and MF bands, 0.24 - 2.00 mc.

TYPE: Loop.

DESCRIPTION: The assembly consists of a loop antenna, a drive unit, an azimuth scale, a handwheel, and a deck bearing. The center-tapped loop is made up of 14 turns of copper wire supported on a bakelite form. The loop is enclosed in a ring of copper tubing with a brass casting to attach the loop to the drive assembly. The assembly weighs 35 pounds.

SCAN DATA: The antenna is rotated in azimuth by a handwheel attached to the lower end of the drive shaft.

INSTALLATION: Shipboard, small craft.

ASSOCIATED EQUIPMENT: Navy Models DAE and DAE-1 Radio Direction Finding Equipment. Equipment function - direction finding.

MISCELLANEOUS: The 69074 is the same as the 69092 except for mounting provisions.

STOCK NUMBER: Federal Stock Number N5985-254-7140.

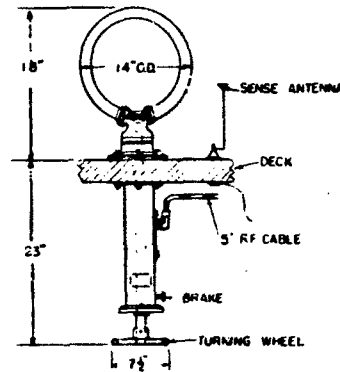
REFERENCES:

- 1) U. S. Navy Bureau of Ships, Antenna Data

Sheets, Shipboard Antenna Details, Chapter 5, NAVSHIPS 900121(A), (Jan. 1, 1959). CONFIDENTIAL.

- 2) U. S. Navy, Navy Stock List of the Electronics Supply Office, (Feb. 1958). UNCLASSIFIED.

- 3) Instruction Book for Models DAE and DAE-1



Antenna 69074.



ANTENNA 69077

FREQUENCY: MF and HF bands, 1.5 - 18.2 mc.

TYPE: Loop.

DESCRIPTION: The antenna consists of a one-piece copper loop enclosed in 5/8-inch diameter aluminum tubing. It mounts by three banana plugs to a socket on top of the equipment receiver case.

BEAM DATA:

Beam type - Figure eight (cardioid when used with Antenna 66054).

SCAN DATA: The antenna can be rotated in azimuth.

INSTALLATION: Shipboard and ground, portable.

ASSOCIATED EQUIPMENT: Navy Models DAG, DAG-1, and DAG-2 Radio Direction Finding Equipment. Equipment function - direction finding.

ORGANIZANT AGENCY: U. S. Navy.

MANUFACTURER: Airplane and Marine Instruments Corporation, Clearfield, Pa., contracts NOs-9H2B4, NXss-19755, and NObsr-44558.

STOCK NUMBER: Federal Stock Number N5985-665-0432.

REFERENCES:

- 1) U. S. Navy Bureau of Ships, Antenna Data Sheets, Shipboard Antenna Details, Chapter 5, NAVSHIPS 900121(A), (Jan. 1, 1959). CONFIDENTIAL.
- 2) Albert F. Lopez, Robert C. Moore, Directory of Intercept and Analysis Equipment, Report No. 63.6-F. State College, Pennsylvania; Haller, Raymond, and Brown, Inc., (Oct. 31, 1956). SECRET.
- 3) U. S. Navy, Navy Stock List of the Electronics Supply Office, (Feb. 1958). UNCLASSIFIED.
- 4) NAVSHIPS 95075: Instruction Book for Model DAG Portable Direction Finder Equipment.
- 5) NAVSHIPS 95076: Instruction Book for Models DAG-1 and DAG-2 Portable Direction Finder Equipment.



UNCLASSIFIED

ANTENNA 69079

FREQUENCY: LF, MF, and HF bands, 0.08 - 3.50 mc.

TYPE: Loop.

DESCRIPTION: The antenna is a loop, 16 inches in diameter. It plugs into the top of the equipment receiver case.

INSTALLATION: Shipboard, small wooden-hulled craft.

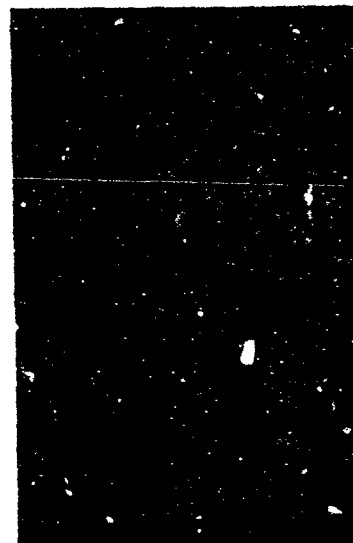
ASSOCIATED EQUIPMENT: Navy Model DAF Radio Direction Finder Equipment. Equipment function - direction finding.

COGNIZANT AGENCY: U. S. Navy.

MANUFACTURER: E. M. Sargent Co., Oakland, California contract NOS-99789.

REFERENCES:

- 1) U. S. Navy, Navy Stock List of the Electronics Supply Office, (Feb. 1958). UNCLASSIFIED.
- 2) Government Specification EN/28/2359-42/ Ships.
- 3) NAVSHIPS 900,272: Model DAF Radio Direction Finder Instruction Book.



Antenna 69079



ANTENNA 69083(*)

FREQUENCY: MF and HF bands, 1.5 - 30.0 mc.

69083A ... Federal Stock Number F5985-665-0436

TYPE: Crossed loops with a ground-plane sense antenna.

69083B ... Federal Stock Number F5985-470-7452

DESCRIPTION: The antenna consists of two diamond-shaped loops mounted at right angles to each other and a ground-plane antenna made up of a vertical rod and four radial ground rods. The ground-plane antenna is mounted on top of the crossed loops. Each loop is made of a single turn of shielded, coaxial cable supported on a rigid framework of metal tubing.

INSTALLATION: Shipboard.

ASSOCIATED EQUIPMENT: Navy Models DAQ and DAU Radio Direction Finder Equipment. Equipment function - direction finding.

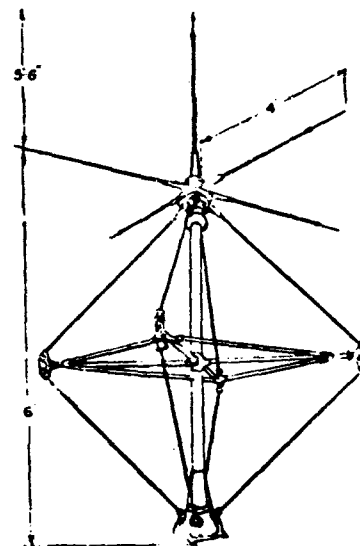
MISCELLANEOUS: The nomenclature 69083(*) denotes 69083, 69083A, and 69083B.

COGNIZANT AGENCY: U. S. Navy, BuShips.

MANUFACTURER: Federal Telephone and Radio Corporation, contracts NXs-11058 and NXsr-41007.

STOCK NUMBERS:

69083 Federal Stock Number F5985-408-8726



Antenna 69083-B

UNCLASSIFIED

REFERENCES:

- 1) U. S. Navy, Navy Stock List of the Electronics Supply Office, (Feb. 1958). UNCLASSIFIED.
- 2) U. S. Navy Bureau of Ships, Antenna Data Sheets, Shipboard Antenna Details, Chapter 5, NAVSHIPS 900121(A), (Jan. 1, 1959). CONFIDENTIAL.
- 3) Albert F. Lopez, Robert C. Moore, Directory of Intercept and Analysis Equipment, Report No. 63.6-F. State College, Pennsylvania: Haller, Raymond and Brown, Inc., (Oct. 31, 1956). SECRET.
- 4) NAVSHIPS 900,907.
- 5) Federal Telephone and Radio drawings NIA-42737 issue F, NIA-44435-26, and RF-4826-14.

ANTENNA 69084

FREQUENCY: VHF and UHF bands, 250 - 1500 mc.

COGNIZANT AGENCY: U. S. Navy, BuShips.

TYPE: Crossed loop antenna with a sense element.

MANUFACTURER: Federal Telephone and Radio Corporation, Newark, N. J., contract NXs-1748.

DESCRIPTION: The overall antenna assembly is 68-3/4 inches high, 23 inches wide, and 23 inches deep, and the weight is 73 pounds.

REFERENCES:

- 1) U. S. Navy, Navy Stock List of the Electronics Supply Office, (Feb. 1958). UNCLASSIFIED.
- 2) Preliminary Instruction Book for Model DAK-1 Radio Direction Finding Equipment.

INSTALLATION: Shipboard.

ASSOCIATED EQUIPMENT: Navy Models DAK and DAK-1 Radio Direction Finder Equipment. Equipment function - direction finding.

ANTENNA 69085

FREQUENCY: LF and MF bands, 0.29 - 0.55 mc.

- 2) NAVSHIPS 95077: Instruction Book for Navy Model DAP Radio Direction Finder Equipment.

TYPE: Loop.

DESCRIPTION: The antenna is a loop 15 inches in diameter. It mounts on top of the equipment case.

INSTALLATION: Shipboard, small wooden-hulled craft.

ASSOCIATED EQUIPMENT: Navy Model DAP Radio Direction Finder Equipment. Equipment function - direction finding.

COGNIZANT AGENCY: U. S. Navy.

MANUFACTURER: Garod Radio Corp., Brooklyn, N. Y., contract NXs-4522.

REFERENCES:

- 1) U. S. Navy, Navy Stock List of the Electronics Supply Office, (Feb. 1958). UNCLASSIFIED.



Antenna 69085

ANTENNA 69089

FREQUENCY: LF and MF bands, 0.25 - 1.50 mc.

tinned copper wire on a bakelite form. The loops are electrostatically shielded by 3-inch formed aluminum tubing. The loops are insulated from each other and are electrically matched. The antenna has a cast aluminum base.

TYPE: Crossed loops.

DESCRIPTION: The antenna consists of two loops mounted at right angles to each other. Each loop consists of 5 turns of insulated, stranded,

UNCLASSIFIED

INSTALLATION: Shipboard.

ASSOCIATED EQUIPMENT: Navy Models DAK-2 and DAK-3 Radio Direction Finder Equipment. Equipment function - direction finding.

COGNIZANT AGENCY: U. S. Navy, BuShips.

MANUFACTURER: Federal Telephone and Radio Corporation, Newark, N. J., contract NXss-33628.

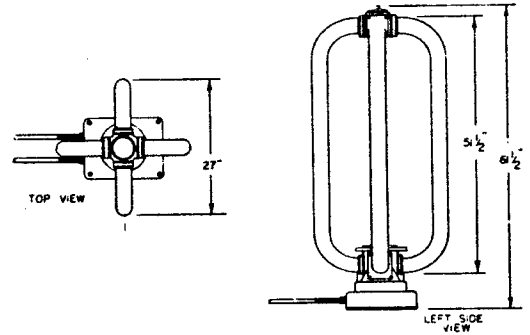
STOCK NUMBER: Federal Stock Number N5985-254-7141.

REFERENCES:

- 1) U. S. Navy Bureau of Ships, Antenna Data Sheets, Shipboard Antenna Details, Chapter 5, NAVSHIPS 900121(A), (Jan. 1, 1959). CONFIDENTIAL.
- 2) U. S. Navy, Navy Stock List of the Electronics Supply Office, (Feb. 1958). UNCLASSIFIED.
- 3) NAVSHIPS 900,277: Instruction Book for

Model DAK-2 Radio Direction Finder Equipment.

- 4) NAVSHIPS 900,264A: Instruction Book for Model DAK-3 Radio Direction Finder Equipment.



Antenna 69089

.....
ANTENNA 69092

FREQUENCY: LF and MF bands, 0.24 - 2.00 mc.

TYPE: Loop.

DESCRIPTION: The assembly consists of a loop antenna, a drive unit, an azimuth scale, a handwheel, and a pedestal. The center-tapped loop consists of 14 turns of copper wire supported on a bakelite form. The loop is enclosed in a ring of copper tubing with a brass casting to attach the loop to the drive assembly. A one-piece steel pedestal with a ball bearing and a deck mounting flange is used to support the loop and house the loop drive shaft.

SCAN DATA: The antenna is rotated in azimuth by a handwheel attached to the lower end of the driveshaft.

INSTALLATION: Shipboard, small craft.

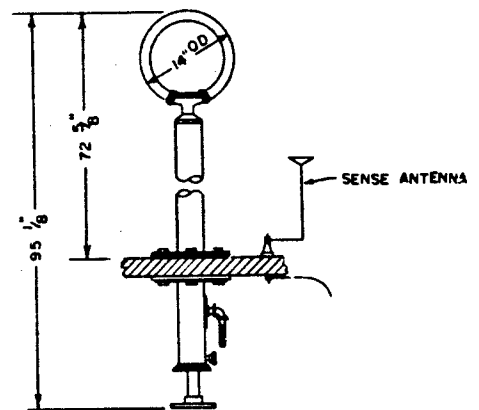
ASSOCIATED EQUIPMENT: Navy Models DAE-2 Radio Direction Finding Equipment. Equipment function - direction finding.

MISCELLANEOUS: The 69092 is the same as the 69074 except for mounting provisions.

STOCK NUMBER: Federal Stock Number N5985-369-5359.

REFERENCES:

- 1) U. S. Navy Bureau of Ships, Antenna Data Sheets, Shipboard Antenna Details, Chapter 5, NAVSHIPS 900121(A), (Jan. 1, 1959). CONFIDENTIAL.
- 2) U. S. Navy, Navy Stock List of the Electronics Supply Office, (Feb. 1958). UNCLASSIFIED.
- 3) Instruction Book for Model DAE-2.



Antenna 69092

UNCLASSIFIED

ANTENNA REFLECTOR A-3A6-W7, Rev 9 (Raytheon Manufacturing Co.)

TYPE: Paraboloidal reflector.

MANUFACTURER: Raytheon Manufacturing Co.

DESCRIPTION: The reflector is of the parabolic type and is 25 inches in diameter and 5 inches deep. The antenna is mounted by means of four 5/16-inch holes on 2-1/2 by 2-1/2 inch mounting centers.

STOCK NUMBER: Federal Stock Number N5985-295-9797.

REFERENCE:
U. S. Navy, Navy Stock List of the Electronics Supply Office, (Feb. 1958). UNCLASSIFIED.

ASSOCIATED EQUIPMENT: Radar Equipment SO-13.

.....

ANTENNA ASSEMBLY A12005 (Operadio Mfg. Co.)

DESCRIPTION: The reference lists the following information: "3 antennas, 5 band frequency range, fixed type; pedestal mounted; mfr Operadio Mfg. Co; P/O Radar Beacon Equipment YQ."

STOCK NUMBER: Federal Stock Number F5985-295-9171.

REFERENCE:
U. S. Navy, Navy Stock List of the Electronics Supply Office, (Feb. 1958). UNCLASSIFIED.

ASSOCIATED EQUIPMENT: Radar Beacon Equipment YQ.

MANUFACTURER: Operadio Manufacturing Company.

.....

ANTENNA DF-2076 (Bludworth, Inc.)

FREQUENCY: LF and MF bands, 0.280 - 0.520 mc.

BEAM DATA:
Beam type - Figure eight.
Polarization - Vertical.

TYPE: Loop.

INSTALLATION: Shipboard.

DESCRIPTION: The antenna is a rotatable loop.

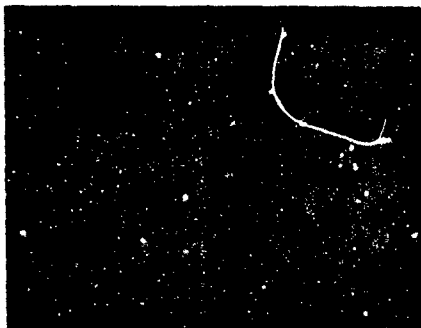
ASSOCIATED EQUIPMENT: Radio Direction Finder Bludworth Models DF-1011 and DF-1016. Equipment function - direction finding.

COGNIZANT AGENCY: U.S. Army and U.S. Air Force.

MANUFACTURER: Bludworth, Inc.

STOCK NUMBER: Signal Corps 228877.44.

REFERENCE:
Departments of the Air Force and the Army, Radio Direction Finder DF-1011 and DF-1016, Signal Supply Catalog and Fixed Plant Maintenance List, TO 31R4-4-4-2, SIG 10-319, (Feb. 28, 1945). UNCLASSIFIED.



DF-2076, Bludworth, Inc.

.....

ANTENNA REFLECTOR DL 129L504 GP1 (General Electric Company)

TYPE: Parabolic-cylinder reflector.

MANUFACTURER: General Electric Company.

DESCRIPTION: The antenna is a parabolic-cylinder reflector 180 inches long, 63-1/2 inches wide, and 50-1/2 inches deep.

STOCK NUMBER: Federal Stock Number F5985-284-5973.

REFERENCE:
U. S. Navy, Navy Stock List of the Electronics Supply Office, (Feb. 1958). UNCLASSIFIED.

ASSOCIATED EQUIPMENT: Radar Set AN/APS-8. Equipment function - height finding.

.....

UNCLASSIFIED

ANTENNA F3903 (Harvard University)

FREQUENCY: VHF and UHF bands, 175 - 550 mc;
VSWR < 2.

Polarization - Vertical or horizontal depend-
ing on mounting position.

TYPE: Corner reflector.

INSTALLATION: Ground or shipboard.

DESCRIPTION: The antenna consists of a corner reflector with a dipole radiator and a balun. The aperture of the reflector is 40 inches high and 48 inches wide. The antenna is 32 inches deep and weighs 80 pounds. The dipole length, balun, and distance of the dipole from the vertex of the reflector are adjustable in steps to cover the frequency range.

ASSOCIATED EQUIPMENT: Radar Sets AN/APQ-2 and AN/SPT-4.

MANUFACTURER: Harvard University Radio Research Laboratory.

REFERENCE: Andrew W. Alford, Antennas for RCM, 411-100. Cambridge, Mass.: Radio Research Laboratory, Harvard University, (Nov. 1, 1944). UN-CLASSIFIED.

BEAM DATA:
Gain - 12 db above a dipole.



ANTENNA M2414 (Harvard Radio Research Laboratories)

FREQUENCY: UHF band, 870 - 3000 mc; VSWR < 5.

Polarization - Vertical or horizontal depend-
ing on antenna position.

TYPE: Biconical antenna.

INSTALLATION: Shipboard or ground.

DESCRIPTION: This is a biconical antenna with the two 60° sheet-metal cones held in place by a plexiglass cylinder. The antenna is supported by a two-foot-long steel tube that mounts on a terminal box. The antenna is 5-5/8 inches long and is normally used for receiving. The supporting tube contains a balun.

ASSOCIATED EQUIPMENT: AN/SPR-1, AN/APR-1, AN/APR-4, and AN/APR-5 receivers. Equipment function - probably countermeasures, monitoring.

COGNIZANT AGENCY: U. S. Navy.

BEAM DATA:
Gain - 2 db.
Beam type - Omnidirectional in one plane,
figure of eight in one plane.

REFERENCE: Andrew W. Alford, Antennas for RCM, 411-100A. Cambridge, Mass.: Radio Research Laboratory, Harvard University, (Dec. 3, 1945). UN-CLASSIFIED.



ANTENNA M2909 (Harvard Radio Research Laboratories)

FREQUENCY: UHF band, 790 - 1420 mc.

Beam type - Unidirectional.
Polarization - Vertical or horizontal depend-
ing on orientation of the horn.

TYPE: Horn.

INSTALLATION: Shipboard or ground.

DESCRIPTION: The antenna consists of a horn fed by a short section of rectangular waveguide which in turn is fed by RG-18/U coaxial cable. The horn has an overall length, including the waveguide section, of 41 inches, and the aperture is 13 inches by 19-1/2 inches.

ASSOCIATED EQUIPMENT: TDY jamming transmitter. Equipment function - countermeasures, jamming.

BEAM DATA:
Gain - 12.2 db at 300 mc, 16.6 db at 1400 mc.
Half-power beamwidth - E-plane - 54° at 800
mc, 32° at
1400 mc.

MISCELLANEOUS: This antenna has been replaced by the M2910 antenna for use with the TDY transmitter.

H-plane - 46° at 800
mc, 28° at
1400 mc.

REFERENCE: Andrew W. Alford, Antennas for RCM, 411-100A. Cambridge, Mass.: Radio Research Laboratory, Harvard University, (Dec. 3, 1945). UN-CLASSIFIED.



ANTENNA M2912 (Harvard Radio Research Laboratories)

FREQUENCY: UHF band, 1375 - 2440 mc; VSWR < 2.

TYPE: Horn.

UNCLASSIFIED

DESCRIPTION: The antenna consists of a horn fed by a short section of rectangular waveguide which in turn is fed by RG-14/U coaxial cable. The horn has an overall length of 22 inches, and the aperture is 7-1/4 inches by 10-1/2 inches.

BEAM DATA:
Gain - 11.9 db at 1400 mc, 16.9 db at 2500 mc.
Half-power beamwidth (at 1800 mc) -
E-plane - About 45°. H-plane - About 40°.
Beam type - Unidirectional.
Polarization - Vertical or horizontal depending on orientation of the antenna.

INSTALLATION: Ground or shipboard.

ASSOCIATED EQUIPMENT: AN/APT-9 (AN/SPT-7) jamming transmitter. Equipment function - countermeasures, jamming.

REFERENCE:
Andrew W. Alford, Antennas for RCM, 411-100A. Cambridge, Mass.: Radio Research Laboratory, Harvard University, (Dec. 3, 1945). UNCLASSIFIED.



ANTENNA M2913 (Harvard Radio Research Laboratories)

FREQUENCY: UHF band, 810 - 1385 mc.
TYPE: Corner reflector with dipole feed.

DESCRIPTION: The antenna consists of a corner reflector fed by a dipole. The reflector is constructed of sheet metal, and each side is 6 inches wide and 11 inches high. The two sections form an angle of 135°. The dipole is fed by RG-18/U coaxial cable through a type II balun and is 6-11/16 inches long.

BEAM DATA:
Gain - 9 db.
Half-power beamwidth - E-plane - 60° to 70°, depending on frequency. H-plane - 65° to 80°.
Beam type - Unidirectional.

Polarization - Vertical, horizontal, or 45° depending on antenna orientation.

INSTALLATION: Shipboard and ground.

ASSOCIATED EQUIPMENT: AN/APT-9 (Navy AN/SPT-7) jamming transmitter. Equipment function - countermeasures, jamming.

MISCELLANEOUS: This antenna is the same as 66ALU antenna except for mounting provisions.

COGNIZANT AGENCY: U. S. Navy.

REFERENCE:
Andrew W. Alford, Antennas for RCM, 411-100A. Cambridge, Mass.: Radio Research Laboratory, Harvard University, (Dec. 3, 1945). UNCLASSIFIED.



ANTENNA M2915 (Harvard Radio Research Laboratories)

FREQUENCY: UHF band, 1375 - 2440 mc; VSWR < 2.
TYPE: Horn.

DESCRIPTION: The antenna consists of a horn fed by a short section of rectangular waveguide which in turn is fed by RG-14/U coaxial cable. The horn has an overall length of 22 inches, and the aperture is 7-1/4 inches by 10-1/2 inches.

BEAM DATA:
Gain - 11.9 db at 1400 mc, 16.9 db at 2500 mc.
Half-power beamwidth (at 1800 mc) -
E-plane - About 45°. H-plane - About 40°.
Beam type - Unidirectional.

Polarization - Vertical or horizontal depending on orientation of the antenna.

INSTALLATION: Ground or shipboard.

ASSOCIATED EQUIPMENT: TDY-2 shipboard jamming transmitter. Equipment function - countermeasures, jamming.

MISCELLANEOUS: This antenna is the same as M2912 antenna except for mounting provisions.

REFERENCE:
Andrew W. Alford, Antennas for RCM, 411-100A. Cambridge, Mass.: Radio Research Laboratory, Harvard University, (Dec. 3, 1945). UNCLASSIFIED.



ANTENNA ASSEMBLY M4101 (Harvard Radio Research Laboratories)

FREQUENCY: VHF and UHF bands, 200 - 1000 mc.
TYPE: Stub sleeve and V-type sleeve dipole.
DESCRIPTION: The antenna consists of a vertical

stub-sleeve antenna and a horizontal V-type sleeve dipole with an included angle of 120 degrees. The two antennas are mounted back-to-back on a circular plate and separated by a sheet metal reflector shaped approximately

Like a vertical parabolic cylinder. The vertical antenna is mounted in front of the open end of the parabolic cylinder and the horizontal antenna is mounted directly opposite it at the rear of the cylinder. Both antennas are fed through an antenna selector relay fed by a coaxial cable. A length of 50-ohm cable for impedance matching is inserted between the 50-ohm line and the horizontal antenna. The vertical antenna is fed at its base and the horizontal antenna is fed at its center. The assembly weighs 11 pounds and is about 20 inches in diameter and 16 inches in height.

BEAM DATA:

Beam Type - The antenna is designed to have a beam pattern which changes with frequency and which is different for the vertical and horizontal antennas. In this way the CRT display of the associated equipment, which is similar to the radiation pattern, characterizes the type of signal being received. A number of typical CRT displays are illustrated following page 17 of the reference listed below.
Polarization - Horizontal and vertical.

SCAN DATA: The assembly rotates at a speed which is variable between 40 and 300 revolutions per minute.

TUNING/MATCHING DEVICES: A length of 90-ohm coaxial cable acts as a matching transformer between the 50-ohm feed cable and the horizontal antenna.

INSTALLATION: Shipboard.

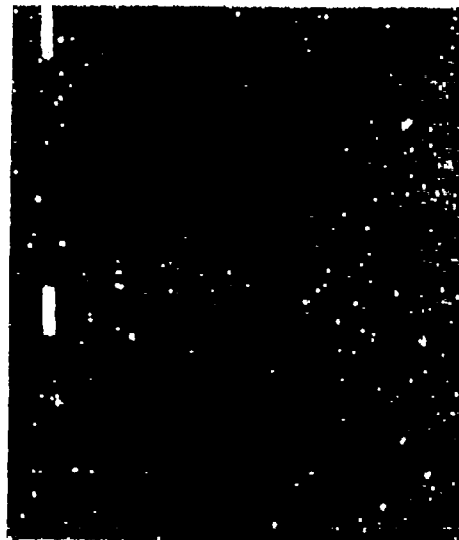
ASSOCIATED EQUIPMENT: M-100 Direction Finder (Navy DMF). Equipment function - counter-measures, direction finding.

MISCELLANEOUS: This antenna is similar to Antennas AS-100/ASA-17, AS-100A/ASA-17, and AS-100B/ASA-17 which were also developed by Harvard Radio Research Laboratories.

COORDINATING AGENCY: U. S. Navy.

REFERENCE:

Adams, Clifford, et al., Instrumentation Instructions for M-100 Direction Finder (Navy - DMF), Report No. 44-118-54, Cambridge, Mass., Radio Research Laboratory, Harvard University, (Dec. 1, 1944). UNCLASSIFIED.



M4501, Harvard Radio Research Laboratories

ANTENNA ASSEMBLY M450B (Harvard Radio Research Laboratories)

FREQUENCY: VHF and SHF bands, 1000 - 3000 Mc.

TYPE: Two cut paraboloidal reflectors with ground plane, fed by two Yagi arrays.

DESCRIPTION: The antenna assembly consists of two antennas, one vertically polarized and one horizontally polarized, mounted back-to-back on a metal base plate. An r-f relay switches the antennas alternately. Each antenna consists of a cut paraboloidal reflector fed by a two-element Yagi array. The driven elements are fed by coaxial cable through a balun. The antennas are identical except for the polarization of the arrays.

BEAM DATA:

Beam Type - Each beam is unidirectional.
Polarization - Vertical and horizontal.

SCAN DATA: The antenna has 360° mechanical azimuth rotation at 40 to 300 revolutions per minute.

INSTALLATION: Shipboard.

ASSOCIATED EQUIPMENT: M-100 Direction Finder (Navy DMF). Equipment function - counter-measures, direction finding.



M4502, Harvard Radio Research Laboratories

UNCLASSIFIED

like a vertical parabolic cylinder. The vertical antenna is mounted in front of the open end of the "parabolic cylinder" and the horizontal antenna is mounted directly opposite it at the rear of the cylinder. Both antennas are fed through an antenna selector relay fed by 50-ohm coaxial cable. A length of 90-ohm cable for impedance matching is inserted between the 50-ohm line and the horizontal antenna. The vertical antenna is fed at its base and the horizontal antenna is fed at its center. The assembly weighs 11 pounds and is about 20 inches in diameter and 16 inches in height.

MISCELLANEOUS: This antenna is similar to Antennas AS-108/APA-17, AS-108A/APA-17, and AS-108B/APA-17 which were also developed by Harvard Radio Research Laboratories.

COGNIZANT AGENCY: U. S. Navy.

REFERENCE:
Andrew Alford, et al., Preliminary Instructions for M4100 Direction Finder (Navy - DEM) Report No. 411-IB-54. Cambridge, Mass.: Radio Research Laboratory, Harvard University (Dec. 14, 1944). UNCLASSIFIED.

BEAM DATA:

Beam type - The antenna is designed to have a beam pattern which changes with frequency and which is different for the vertical and horizontal antennas. In this way the CRT display of the associated equipment, which is similar to the radiation pattern, characterizes the type of signal being received. A number of typical CRT displays are illustrated following page 17 of the reference listed below.
Polarization - Horizontal and vertical.

SCAN DATA: The assembly rotates at a speed which is variable between 40 and 300 revolutions per minute.

TUNING/MATCHING DEVICES: A length of 90-ohm coaxial cable acts as a matching transformer between the 50-ohm feed cable and the horizontal antenna.

INSTALLATION: Shipboard.

ASSOCIATED EQUIPMENT: M4100 Direction Finder (Navy DEM). Equipment function - countermeasures, direction finding.



M4101, Harvard Radio Research Laboratories

.....

ANTENNA ASSEMBLY M4503 (Harvard Radio Research Laboratories)

FREQUENCY: UHF and SHF bands, 1000 - 5000 mc.

INSTALLATION: Shipboard.

TYPE: Two cut paraboloidal reflectors with ground plans, fed by two Yagi arrays.

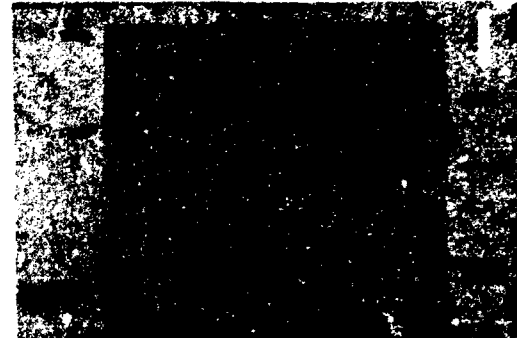
ASSOCIATED EQUIPMENT: M4100 Direction Finder (Navy DEM). Equipment function - countermeasures, direction finding.

DESCRIPTION: The antenna assembly consists of two antennas, one vertically polarized and one horizontally polarized, mounted back-to-back on a metal base plate. An r-f relay switches the antennas alternately. Each antenna consists of a cut paraboloidal reflector fed by a two-element Yagi array. The driven elements are fed by coaxial cable through a balun. The antennas are identical except for the polarization of the arrays.

BEAM DATA:

Beam type - Each beam is unidirectional.
Polarization - Vertical and horizontal.

SCAN DATA: The antenna has 360° mechanical azimuth rotation at 40 to 300 revolutions per minute.



M4503, Harvard Radio Research Laboratories

UNCLASSIFIED

COGNIZANT AGENCY: U. S. Navy.

tions for M4100 Direction Finder (Navy - DEM), Report No. 411-IB-54. Cambridge, Mass.: Radio Research Laboratory, Harvard University. (Dec. 14, 1944). UNCLASSIFIED.

REFERENCE:

Andrew Alford, et al., Preliminary Instruc-

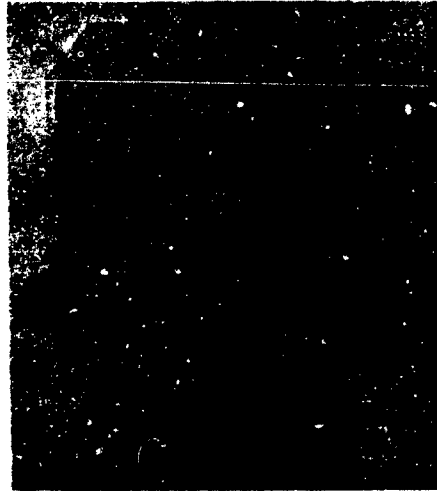


ANTENNA ASSEMBLY M6120 (Harvard Radio Research Laboratories)

FREQUENCY: VHF and UHF bands, 90 - 1400 mc.

TYPE: Stub-sleeve dipole with reflector and an end-fed V-type dipole with reflector.

DESCRIPTION: The antenna assembly consists of two antennas, one vertically polarized and one horizontally polarized, mounted back-to-back on a metal base plate. An r-f relay alternately switches the receiver from one antenna to the other. The vertical antenna is a stub-sleeve dipole mounted in front of a reflector that provides focusing in the horizontal plane. The horizontal antenna consists of an end-fed V-antenna positioned 4 inches in front of a sheet-metal reflector. Both the V-antenna and reflector have an internal angle of 100°. The reflector is shaped to approximate a parabolic surface in the vertical plane. The dipole elements are 9-7/8 inches in length and 3 inches in diameter. The vertical stub sleeve is approximately 3 inches in diameter and 18-3/8 inches high. The radiating elements of the antenna assembly are constructed of thin-walled brass tubing, and the reflecting surfaces are formed with 0.010-inch stainless-steel sheet metal. Coaxial cable is used to feed both antennas. A type III balun is used to match the horizontally polarized antenna.



M6120 Horizontal Antenna

BEAM DATA:

Polarization - Vertical and horizontal, alternately.

SCAN DATA: The antenna has 360° mechanical azimuth rotation at 40 to 300 revolutions per minute.

INSTALLATION: Shipboard.

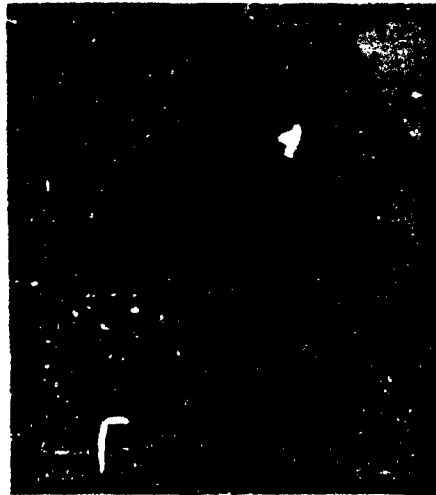
ASSOCIATED EQUIPMENT: M4100 Direction Finder (Navy - DEM). Equipment function - countermeasures, direction finding.

MISCELLANEOUS: DEM equipment includes M4503 and M6120 antennas.

COGNIZANT AGENCY: U. S. Navy.

REFERENCE:

J. D. Kraus, et al., The M6120 Broad-band Antenna Spinner for the M4100 (DEM) Direction Finding System, Report No. 411-233. Cambridge, Mass.: Radio Research Laboratory, Harvard University. (Sept. 8, 1945). UNCLASSIFIED.



M6120 Vertical Antenna



ANTENNA M6202 (Harvard Radio Research Laboratories)

FREQUENCY: VHF and UHF bands, 275 - 325 mc; VSWR < 2.

TYPE: Stub-sleeve antenna.

UNCLASSIFIED

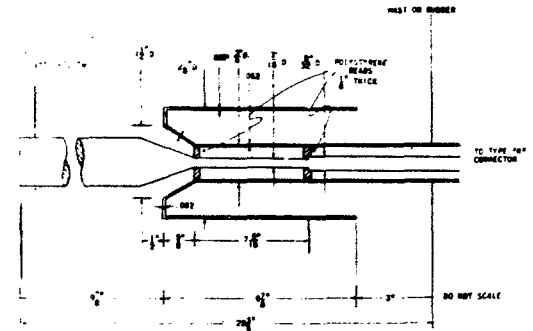
DESCRIPTION: The antenna is 19-3/4 inches long, The inner conductor expands to a diameter of 1 inch and the sleeve is 2-1/4 inches in diameter.

BEAM DATA:
Beam type - Omnidirectional in azimuth.
Polarization - Vertical.

INSTALLATION: Shipboard and airborne.

COGNIZANT AGENCY: U. S. Navy.

REFERENCE:
J. A. Nelson, M6302 Skirted-stub Antenna, Report No. 411-120. Cambridge, Mass.: Radio Research Laboratory, Harvard University. (Sept. 28, 1945). UNCLASSIFIED.



M6302, Harvard Radio Research Laboratories

ANTENNA M6700 (Harvard Radio Research Laboratories)

FREQUENCY: SHF band, 5000 - 12,000 mc;
VSWR < 1.7.

Beam type - Fan.
Polarization - Circular.

TYPE: Parabolic-cylinder reflector with a horn feed.

SCAN DATA: The antenna has 360° mechanical azimuth rotation at a maximum speed of 400 revolutions per minute.

DESCRIPTION: The antenna consists of a rotating parabolic-cylinder reflector positioned at an angle of 45° above a stationary circularly polarized horn. The horn is fed by a waveguide through a transition section and a phasing section.

INSTALLATION: Shipboard.

The inside of the horn is 1-7/16 inches square. The antenna is equipped with a radome and has overall dimensions of 30 inches in height and 15 inches in diameter.

ASSOCIATED EQUIPMENT: Direction Finders DEM and DBM-1. Equipment function - probably counter-measures, direction finding.

COGNIZANT AGENCY: U. S. Navy.

BEAM DATA:
Half-power beamwidth - Vertical - 30°.
Horizontal - 5°.

REFERENCE:
G. Stavis, M6700 Shipborne DF Antenna, Report No. 411-243. Cambridge, Mass.: Radio Research Laboratory, Harvard University. (Sept. 11, 1945). UNCLASSIFIED.

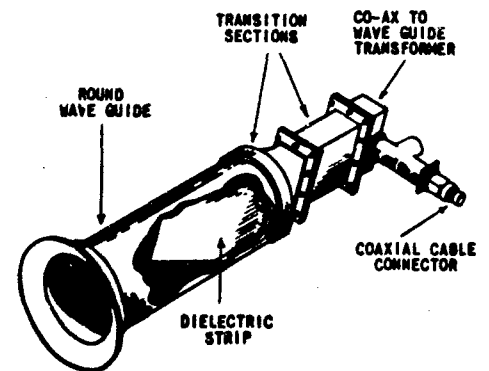
ANTENNA M9001 (Harvard Radio Research Laboratories)

FREQUENCY: UHF and SHF bands, 2100 - 4000 mc.

to 4000 mc, Report No. 411-283. Cambridge, Mass.: Radio Research Laboratory, Harvard University. (Oct. 31, 1945). UNCLASSIFIED.

TYPE: Horn.

DESCRIPTION: The antenna consists of a circular horn fed through a section of circular waveguide by a probe-excited rectangular waveguide. A transition section is included between the circular and rectangular sections of waveguide, and a dielectric strip within the circular waveguide is used to produce circular polarization.



M9001, Harvard Radio Research Laboratories

BEAM DATA:
Half-power beamwidth - 40°.
Beam type - Conical.
Polarization - Circular.

INSTALLATION: Shipboard and airborne.

REFERENCE:
R. M. Hatch and C. C. Loomis, Circularly Polarized Search Antennas for the Band 2100

UNCLASSIFIED

ANTENNA OR200789 Change E (Bendix)

TYPE: Cut paraboloidal reflector.

MANUFACTURER: Bendix Radio Div., Bendix Aviation Corp.

DESCRIPTION: The antenna is an aluminum cut paraboloidal reflector 29 inches long by 61-1/4 inches wide by 20-1/2 inches high. It has four 0.257-inch mounting holes on 7.547-inch by 4.312-inch mounting centers.

STOCK NUMBER: Federal Stock Number N5985-049-8327.

REFERENCE: U. S. Navy, Navy Stock List of the Electronics Supply Office, (Feb. 1958). UNCLASSIFIED.

INSTALLATION: Shipboard.

ASSOCIATED EQUIPMENT: Radar Sets AN/SPN-8 and AN/SPN-8A. Equipment function - navigation.

.....

ANTENNA 519E467G1 (General Electric Company)

TYPE: Paraboloidal reflector.

MANUFACTURER: General Electric Company.

DESCRIPTION: The antenna is an aluminum paraboloidal reflector, 15-9/16 inches long by 6-3/8 inches wide by 42-1/4 inches high.

STOCK NUMBER: Federal Stock Number F5985-351-2380.

REFERENCE: U. S. Navy, Navy Stock List of the Electronics Supply Office, (Feb. 1958). UNCLASSIFIED.

ASSOCIATED EQUIPMENT: Navy Model SP-6 Radar Equipment. Equipment function - search.

.....

~~UNCLASSIFIED~~

INDEX

Nomenclatures and stock numbers are ordered in a left-justified alpha-numeric arrangement as explained in the preface. In addition, certain keys are employed to aid identification. An asterisk preceding an antenna nomenclature denotes a manufacturer's designation. A single dot denotes an un-nomenclatured antenna that has been named, either by the developing agency or by one of the catalogers. Sometimes these names were too long to fit in the space allotted on the IBM cards. In these cases, the names were abbreviated and do not exactly correspond to the names appearing in the text. However, no difficulty in matching should be encountered. Two dots preceding a nomenclature indicate that it applies to the associated equipment rather than the antenna. In the indexes antenna designations containing these keys are listed ahead of the JAN antenna nomenclatures.

~~UNCLASSIFIED~~

ANTENNA TYPE INDEX

Adcock

AS-410(*)/URD-2.....VHF
AS-514/URD-4(1).....VHF,UHF
AS-658/BRD-5.....VHF,UHF
66128.....VHF
66148(*).....VHF

Amplitude Modulating

AS-1075/SRN-6.....UHF
AS-677/URN-3.....UHF
AS-678/URN-3.....UHF
AS-889/SRN-6.....UHF
AS-890/SRN-6.....UHF
AS-891/URN.....UHF
AS-892/URN.....UHF
OA-553/URN-3.....UHF
OA-554/URN-3.....UHF

Broadside Array

66AAS.....SHF
66AHY.....SHF

Concentration

AS-1012/SPG-55.....SHF

Collinear Array

AS-905(*)/GR.....VHF,UHF
AS-82(*)/APQ-7.....SHF
AS-925/SP5-96.....UHF
AT-948/U.....UHF
66AMC.....VHF
66ALN.....UHF
66AMV(*).....UHF

Control

0M2414.....UHF
AS-124/APR.....VHF,UHF
AS-371(*)/S.....UHF,SHF
AS-901(*)/SPN.....SHF
AS-522(*)/BPX.....UHF
AS-523/BPX+(1).....VHF,UHF
AS-524/BPX+(1).....VHF,UHF
AS-525/BPX+(1).....VHF,UHF
AS-777/URN-3.....UHF
AT-522/URN-42.....UHF
OA-878(*)/URN-3.....UHF
66AGZ-(*).....VHF,UHF
66AMB.....UHF,SHF
66131.....UHF,SHF

Corner Reflector

0MARK 6 CORNER.....VHF
0F3903.....VHF,UHF
AS-1068/SPA-92.....VHF,UHF
AS-14411/SPT-6.....UHF
AS-236(*)/SPT.....UHF
AS-263/LMT.....VHF,UHF
AS-49/TPT-1.....VHF,UHF
AS-668/SR.....VHF,UHF
AS-71/SPT-2.....UHF
AS-932/SP5-17A.....VHF,UHF
AS-933/SP.....VHF,UHF
AT-946(*)/SPX-9.....SHF
66AJR.....UHF
66AJX.....VHF,UHF
66AJY.....UHF
66AKD.....VHF
66AKE.....VHF
66AKL.....VHF
66AKM.....VHF,UHF
66ALN.....UHF
66ALR.....VHF,UHF
66ALS.....VHF,UHF
66ALT.....UHF
66ALU.....UHF
66AMV-(*).....UHF

Con Paraboloidal Reflector

0AN/SP5-161RM-1).....UHF
0AN/SP5-55.....SHF

Con Paraboloidal Reflector (continued)

0M4503.....UHF,SHF
0R200789 CHANGE E.....SHF
AS-1066/SP5-46.....SHF
AS-1067/SP5-46X.....SHF
AS-402(*)/SP5-6.....UHF
AS-404/SPN-4.....SHF
AS-429(*)/SP5-6A.....UHF
AS-430(*)/SP5-6B.....UHF
AS-444/SPN-5.....SHF
AS-444(*)/SP5-8.....SHF
AS-508/SP5-4.....SHF
AS-511(*)/SP5-9.....SHF
AS-594(1)/BPS-4.....SHF
AS-603/SP5-12.....UHF
AS-710/SP5-21.....SHF
AS-762/MPN-5.....SHF
AS-763/MPN-5.....SHF
AS-764/MPN-5.....UHF
AS-765/MPN-5.....UHF
AS-828(*)/SP5.....SHF
AT-262/MPN-9+(1).....SHF
AT-263/MPN-9+(1).....SHF
AT-265/MPN-9+(1).....UHF
66AAP.....UHF,SHF
66AAQ.....UHF,SHF
66ABJ-(*).....SHF
66ABO.....UHF,SHF
66ABU.....UHF
66ADM.....SHF
66ADJ.....SHF
66AEP-(*).....UHF
66AFP.....UHF,SHF
66AFY-(*).....UHF,SHF
66AFL.....UHF,SHF
66AFM.....UHF,SHF
66AFN.....UHF,SHF
66AFV.....UHF,SHF
66AGD.....UHF,SHF
66AGE.....UHF,SHF
66AGF.....SHF
66AGY.....UHF,SHF
66AGN.....UHF,SHF
66AGQ.....UHF,SHF
66AGS.....SHF
66AGT.....SHF
66AMU.....SHF
66AJC.....SHF
66AJD.....SHF
66AJV-(*).....SHF
66AKP.....UHF
66AKW.....SHF
66AKY-(*).....SHF
66AKZ.....SHF
66ALA.....VHF
66ALB.....UHF
66ALH.....UHF,SHF
66ALJ.....SHF
66AMP.....SHF
66AMQ-(*).....SHF
66AMR.....SHF
66AMS.....SHF
66AMJ.....VHF,UHF,SHF
66109.....UHF
66110.....UHF
66111.....VHF
66112.....VHF
66113.....UHF
66114.....UHF
66115.....VHF
66116.....UHF
66117.....UHF
66118.....VHF,UHF
66119.....UHF
66120.....VHF,UHF
66140.....UHF,SHF
66141.....VHF,UHF
66142.....UHF,SHF

Control

AS-515(1)/SPG.....SHF
66AMY-(*).....SHF

ANTENNA TYPE INDEX (continued)

Loop (continued)

69085.....LF, MF
 69089.....LF, MF
 69092.....LF, MF

Mastless

66AAJ.....VHF
 66AAK.....VHF
 66AAN.....UHF
 66AAY.....VHF
 66AAZ.....VHF
 66ABA.....VHF
 66ABB.....VHF
 66ABC.....VHF
 66ABD.....VHF
 66ABE.....VHF
 66ABF.....VHF
 66ABM.....VHF
 66ABQ.....VHF
 66ABR.....VHF
 66ACB.....VHF
 66ACC.....VHF
 66ACD.....VHF
 66ACE.....VHF
 66AET-(*).....VHF
 66AEU-(*).....VHF
 66AEW.....VHF
 66AHC.....VHF
 66AHF.....VHF
 66AHL.....VHF
 66AJE.....VHF
 66AJF.....VHF
 66AMD.....VHF
 66AMF.....VHF
 66AMN.....VHF
 66037.....VHF
 66088.....VHF

Monopole

AN/5RA-10(XG-1).....MF
 AS-207/CRT-3.....MF
 AS-376(1)/SRT.....MF

Parabolic-Cylinder Reflector

..FC.....UHF
 ..MARK 3.....UHF
 *DL129L504GP1.....UHF
 *M6700.....SHF
 AS-1002/SPS-5C.....SHF
 AS-1004/SPS-41.....SHF
 AS-508/SPS-4.....SHF
 AS-599(1)/SPN-11+(1).....SHF
 AS-601/SPN-13.....SHF
 AS-615/SPS-10.....UHF, SHF
 AS-651/SPS-5B.....SHF
 AS-659/SPN-18.....SHF
 AS-695-SPS.....SHF
 AS-696/SPS.....SHF
 AS-744/SPS-23.....SHF
 AS-745/SPS-23X.....SHF
 AS-746/SPS-23Y.....SHF
 AS-747/SPS-23Z.....SHF
 AS-748/SPS-23XX.....SHF
 AS-826/SPN-22.....SHF
 AS-923/SPS-35.....SHF
 AS-936/SPS-10B.....UHF, SHF
 66AAA.....UHF
 66AAH.....UHF
 66ACW.....UHF
 66AFF.....UHF
 66AGM.....UHF
 66036.....VHF

Paraboloidal Reflector

..MARK III.....SHF
 ..MARK 4, MOD 1.....SHF
 ..AN/SPN-2.....UHF
 ..MARK 19.....VHF, UHF
 ..MARK 25, MOD 6A.....SHF
 *A-3A6-W7, REV 9.....SHF
 *519E467G1.....SHF
 AS-1011/SPG-55.....SHF

Paraboloidal Reflector (continued)

AS-476/SMD.....UHF
 AS-623/UP.....SHF
 AS-750/SMD-1A.....UHF
 AT-194(1)/SPG.....SHF
 AT-276/SPG.....SHF
 AT-557/SMD-1A.....UHF
 MARK 23, MOD 0, UNIT 15.....UHF
 66ADK.....SHF
 66AEX.....SHF
 66AEZ-(*).....UHF
 66AFQ-(*).....UHF
 66AFR.....VHF
 66AFT-(*).....UHF, SHF
 66AGP.....UHF, SHF
 66AGQ.....UHF, SHF
 66AGU-(*).....UHF, SHF
 66ACW.....VHF
 66AGX.....VHF
 66AGY-(*).....SHF
 66AHA.....UHF
 66AMP.....UHF
 66AHO-(*).....UHF
 66AHS.....UHF
 66AHW.....UHF
 66AJJ.....SHF
 66AJQ.....SHF
 66AJS.....SHF
 66AKU.....SHF
 66AKY.....SHF
 66AMK.....SHF

Parabolic Array

AS-23/AP.....UHF, SHF
 AS-614/SRD-9.....VHF, UHF
 AS-777/URN-3.....UHF
 AS-997/SRC.....VHF, UHF
 QA-878(*)/URN-3.....UHF

Pillbox

AS-1065/UPX+(1).....UHF
 AS-904(1)/UPX.....UHF
 AS-905/UPX.....UHF

Probe

AT-163/U.....UHF, SHF

Rad

62ABJ.....VHF, UHF

Sleeve Dipole

*M4101.....VHF, UHF
 66AHM.....UHF
 66AHN.....UHF
 66AJA.....UHF
 66AJB.....UHF
 66AJM.....VHF, UHF
 66AJN.....VHF
 66AJR.....UHF
 66AJX.....VHF, UHF
 66AJY.....UHF
 66ALQ.....VHF

Slot

AN/UPA-22(*).....UHF
 AN/UPA-23(*).....UHF
 AS-118/CPN-6.....SHF
 AS-136/CPA-2.....UHF
 AS-925/SPS-36.....UHF
 AT-458/SR.....VHF, UHF

Stacked Arm

AS-1018(1)/URC.....VHF, UHF
 AS-221/CPN-17.....SHF
 AS-493/U.....VHF, UHF
 AS-997/SRC.....VHF, UHF
 66AKH.....UHF

ANTENNA TYPE INDEX (continued)

Sub
AS-393(*)/BLR.....UHF,SHF
AT-363(*)/BL.....VHF,UHF
AT-693/BLR.....VHF,UHF

Sub Sleeve
*MA101.....VHF,UHF
*MA120.....VHF,UHF
*MA302.....VHF,UHF
AS-372/BRC.....VHF,UHF
AS-389/FHQ-2.....UHF

Whip
AN/URC-11.....VHF
AN/SRA-17(XG-1).....VLF,LF, MF, HF, VHF
AN/SRA-3.....MF, VHF
AN-44-A.....MF
AS-149/TRT-1.....MF, VHF
AS-240/TRR-2.....MF, VHF
AS-352/UR+(1).....MF, VHF
AS-353/FR+(1).....MF, HF
AS-949/BPX.....MF, HF, VHF, UHF
AT-252/SR.....MF, VHF
AT-343(1)/URC.....MF, HF
AT-350/BRC.....MF, HF
AT-497/U.....MF, HF
AT-3002/SRC-501.....MF, HF
AT-609(1)/SRC-8+(1).....MF, HF
AT-627/SRD-12.....LF, MF, HF
AT-639(1)/URM-2.....MF, HF
AT-774(1)/UR.....MF, HF
AT-818/BRC.....MF, HF
AT-883/SRD-13.....LF, MF, HF
AT-894/URM-117.....VHF
AT-924/SR.....MF, VHF, UHF

Whip (continued)
66AAX.....VHF, UHF
6602.....VHF
66025-A.....VHF
66028.....MF
66033.....VHF
66040.....MF, HF
66043.....VHF
66044(*).....VHF
66046.....MF, HF
66047.....MF, HF
66053.....MF, HF
66054.....MF, HF
66068.....MF
66069.....MF
66070.....MF
66071.....MF
66072.....MF
66073.....MF
66074.....MF
66075.....MF
66075.....MF
66077.....MF
66080.....VHF
66081(*).....MF, HF
66082.....LF, MF
66086.....MF, HF
66087.....MF, VHF
66093.....LF, MF
66118.....MF, HF
66119.....VHF
66120.....VHF
66127.....SHF
66145-A.....MF
66158.....VHF

ASSOCIATED EQUIPMENT INDEX

AN-18/APT.....AS-50/TPT-1
AN/APQ-2.....*F3903
AN/APQ-2.....AS-263/UPT
AN/APQ-7.....AS-82(*)/APQ-7
AN/APR-1.....*M2414
AN/APR-1.....AS-124/APR
AN/APR-1.....66AJ0-1
AN/APR-2.....AS-124/APR
AN/APR-4.....*M2414
AN/APR-4.....AS-124/APR
AN/APR-4.....AS-56/SPR-1
AN/APR-4.....AS-57/SPR-1
AN/APR-5.....*M2414
AN/APR-6.....AS-45(*)/APR-5
AN/APR-8.....*DL129L504CP1
AN/APR-8.....AS-484(*)/SPS-8
AN/APR-1.....AS-49/TPT-1
AN/APR-1.....AS-50/TPT-1
AN/APR-2.....AS-145(1)/SPT-6
AN/APR-2.....AS-263/UPT
AN/APR-3.....AS-49/TPT-1
AN/APR-5.....AS-145(1)/SPT-6
AN/APR-5.....AS-263/UPT
AN/APR-5.....AS-71/SPT-2
AN/APR-9.....*M2912
AN/APR-9.....*M2913
AN/APR-9.....AS-71/SPT-2
AN/ARC-1.....AS-524/BPX+(1)
AN/ARC-1.....AS-525/BPX+(1)
AN/ARC-1.....AS-535/B+(1)
AN/ARC-1.....66091
AN/ARC-1.....66134(*)
AN/ART-3.....AS-49/TPT-1
AN/BLR-1.....AS-371(*)/S
AN/BLR-1.....AS-393(*)/BLR
AN/BLR-1.....AT-365(*)/BL
AN/BLR-1.....AT-693/BLR
AN/BPS-4.....AS-394(1)/BPS-4
AN/BPS-9A.....AS-996/BPS-9A
AN/BRD-3.....AS-650/BRD-3
AN/CPA-2(1).....AS-136/CPA-2
AN/CPN-17.....AS-221/CPN-17
AN/CPN-6.....AS-118/CPN-6

AN/CRT-3.....AS-207/CRT-3
AN/FHQ-2.....AS-389/FHQ-2
AN/FHQ-2A.....AS-389/FHQ-2
AN/FPN-28.....AS-762/MPN-5
AN/FPN-28.....AS-764/MPN-5
AN/FPN-28.....AS-765/MPN-5
AN/FPN-28.....AT-262/MPN-5+(1)
AN/FPN-28.....AT-265/MPN-5+(1)
AN/FPN-28.....AT-268/MPN-5+(1)
AN/FPN-28.....AT-409/MPN-5
AN/FPN-28.....AT-411/MPN-5+(1)
AN/GRN-9.....AS-891/URN
AN/GRN-9.....AS-892/URN
AN/GRN-9A.....AS-891/URN
AN/MPN-28(1).....AS-763/MPN-5
AN/MPN-28(1).....AT-263/MPN-5+(1)
AN/MPN-28(1).....AT-410/MPN-5+(1)
AN/MPN-5.....AS-762/MPN-5
AN/MPN-5.....AS-764/MPN-5
AN/MPN-5.....AS-765/MPN-5
AN/MPN-5.....AT-262/MPN-5+(1)
AN/MPN-5.....AT-265/MPN-5+(1)
AN/MPN-5.....AT-268/MPN-5+(1)
AN/MPN-5.....AT-409/MPN-5
AN/MPN-5.....AT-411/MPN-5+(1)
AN/MPN-5+(1).....AS-763/MPN-5
AN/MPN-5+(1).....AT-263/MPN-5+(1)
AN/MPN-5+(1).....AT-410/MPN-5+(1)
AN/SMT-1.....AS-476/SMD
AN/SMD-1A.....AS-750/SMD-1A
AN/SMD-1A.....AT-597/SMD-1A
AN/SPA-5A.....AT-820/SP
AN/SPA-52.....AS-1068/SPA-52
AN/SPG-30.....AS-515(1)/SPG
AN/SPG-30.....AT-194(1)/SPG
AN/SPG-48.....AS-515(1)/SPG
AN/SPG-48.....AT-194(1)/SPG
AN/SPG-48.....AT-276/SPG
AN/SPG-48(XR-1).....66AM7-(*)
AN/SPG-49.....AS-782/SPG-49
AN/SPG-49.....AT-636/SPG-49
AN/SPG-49.....AT-828/SP
AN/SPG-49.....RF-60/SPG-49

ASSOCIATED EQUIPMENT INDEX (continued)

AN/SPG-55.....AS-1011/SPG-55
AN/SPG-59.....AS-1012/SPG-55
AN/SPM-1.....AT-151/UPT
AN/SPN-11+1.....AS-999(1)/SPN-11+1
AN/SPN-13.....AS-601/SPN-13
AN/SPN-18.....AS-659/SPN-18
AN/SPN-18X.....AS-659/SPN-18
AN/SPN-2.....AN/SPN-2
AN/SPN-21.....AN/SPS-35
AN/SPN-22.....AS-826/SPN-22
AN/SPN-22X.....AS-826/SPN-22
AN/SPN-23.....AS-923/SPS-36
AN/SPN-3.....AS-82(1)/APQ-7
AN/SPN-4.....AS-404/SPN-4
AN/SPN-5(1).....AS-444/SPN-5
AN/SPN-8.....*OR200789 CHANGE E
AN/SPN-8A.....*OR200789 CHANGE E
AN/SPR-1.....*M2414
AN/SPR-1.....AS-56/SPR-1
AN/SPR-1.....AS-57/SPR-1
AN/SPR-1.....AT-365(1)/BL
AN/SPR-1.....66AJ0
AN/SPR-1.....66AJ0-1
AN/SPR-2.....AS-371(1)/S
AN/SPR-2.....AS-393(1)/BLR
AN/SPR-2.....AS-45(1)/APR-6
AN/SPR-2.....66AMA
AN/SPR-2.....66AMB
AN/SPR-2.....66131
AN/SPR-2A.....66131
AN/SPS-10.....AS-615/SPS-10
AN/SPS-10B.....AS-936/SPS-10B
AN/SPS-12.....AS-603/SPS-12
AN/SPS-12.....AT-388/SPS-12
AN/SPS-12.....AT-437(1)/SPS-12
AN/SPS-16.....AN/SPS-16(XN-11)
AN/SPS-17A.....AS-932/SPS-17A
AN/SPS-21.....AS-710/SPS-21
AN/SPS-23.....AS-744/SPS-23
AN/SPS-23X.....AS-745/SPS-23X
AN/SPS-23XX.....AS-748/SPS-23XX
AN/SPS-23Y.....AS-746/SPS-23Y
AN/SPS-23Z.....AS-747/SPS-23Z
AN/SPS-30.....AS-928(1)/SPS
AN/SPS-35.....AN/SPS-35
AN/SPS-35.....AS-923/SPS-35
AN/SPS-36.....AS-923/SPS-36
AN/SPS-4.....AS-508/SPS-4
AN/SPS-41.....AS-1004/SPS-41
AN/SPS-46.....AS-1066/SPS-46
AN/SPS-46X.....AS-1067/SPS-46X
AN/SPS-5.....AS-511(1)/SPS-5
AN/SPS-9.....AS-696/SPS
AN/SPS-9B.....AS-651/SPS-9B
AN/SPS-9C.....AS-1002/SPS-9C
AN/SPS-9D.....AS-1002/SPS-9C
AN/SPS-6.....AS-402(1)/SPS-6+
AN/SPS-6A.....AS-429(1)/SPS-6A
AN/SPS-6B.....AS-430(1)/SPS-6B
AN/SPS-8.....AS-484(1)/SPS-8
AN/SPS-8C.....AS-828(1)/SPS
AN/SPS-8C.....AS-828(1)/SPS
AN/SPS-8D.....AS-828(1)/SPS
AN/SPT-4.....*F3903
AN/SPT-4.....AS-97/SPT-4
AN/SPT-4(1).....AS-263/UPT
AN/SPT-6.....AS-145(1)/SPT-6
AN/SPT-6.....AS-263/UPT
AN/SPT-6.....AS-71/SPT-2
AN/SPT-6(1).....AS-236(1)/SPT
AN/SPT-7.....*M2912
AN/SPT-7.....*M2913
AN/SPT-7(1).....AS-236(1)/SPT
AN/SPX-9(1).....AT-946(1)/SPX-9
AN/SRA-17.....AT-924/SR
AN/SRC-31.....MX-766(1)/SR
AN/SRC-501.....AT-5002/SRC-501
AN/SRC-8.....AT-609(1)/SRC-8+1
AN/SRC-8AZ.....AT-609(1)/SRC-8+1
AN/SRC-8XX.....AT-609(1)/SRC-8+1
AN/SRD-12.....AT-627/SRD-12
AN/SRD-12.....AT-628/SRD-12
AN/SRD-13.....AS-777/SRD-13
AN/SRD-13.....AT-883/SRD-13
AN/SRD-7.....AS-714/SRD-7
AN/SRD-9.....AS-614/SRD-9
AN/SRD-9.....AT-150(1)/SRC
AN/SRN-6.....AS-889/SRN-6
AN/SRN-6.....AS-890/SRN-6
AN/SRR-11.....AT-317(1)/BRR
AN/SRR-4.....AS-493/U
AN/TPT-1.....AS-49/TPT-1
AN/TRR-2.....AS-240/TRR-2
AN/TRT-1.....AS-149/TRT-1
AN/UKR-10.....AS-979/UKR
AN/UKR-5(1).....AT-165(1)/UKR
AN/UKR-8.....AS-979/UKR
AN/UKR-8.....AT-373/UKR
AN/UPA-1A.....AS-23/AP
AN/UPA-1A.....AT-48/UP
AN/UPM-1A.....AT-50/U
AN/UPM-1A.....AT-51/U
AN/UPM-1B.....AT-50/U
AN/UPM-1B.....AT-51/U
AN/UPN-11.....AS-500/BPN
AN/UPN-11.....AS-501(1)/SPN
AN/UPN-7.....AS-495/U
AN/UPN-8.....AS-500/BPN
AN/UPN-8.....AS-502/TPN+1
AN/UPS-1.....OA-2653/UPS-1
AN/UPT-74.....AS-263/UPT
AN/UPX.....AT-388/SPS-12
AN/UPX-1.....AS-522(1)/BPX
AN/UPX-1.....AS-523/BPX+1
AN/UPX-1.....AS-524/BPX+1
AN/UPX-1.....AS-525/BPX+1
AN/UPX-5.....AS-522(1)/BPX
AN/UPX-5.....AS-523/BPX+1
AN/UPX-5.....AS-524/BPX+1
AN/UPX-5.....AS-525/BPX+1
AN/URC-11.....AN/URC-11
AN/URC-35(1).....AT-150(1)/SRC
AN/URD-1(1)X.....AT-422(1)/URD-1X+1
AN/URD-2.....AS-410(1)/URD-2
AN/URD-4.....AS-514/URD-4+1
AN/URM-2.....AT-639(1)/URM-2
AN/URM-42.....AT-521/URM-42
AN/URM-42.....AT-522/URM-42
AN/URM-47(1).....AT-477/U
AN/URM-47A.....AB-371/U
AN/URM-50.....AN/SRA-3
AN/URM-50.....AT-252/SR
AN/URN-3.....AS-677/URN-3
AN/URN-3.....AS-678/URN-3
AN/URN-3.....AS-777/URN-3
AN/URN-3.....OA-553/URN-3
AN/URN-3.....OA-554/URN-3
AN/URN-3.....OA-878(1)/URN-3
AN/URN-5.....MK-89/URN-5
AN/URR-13.....MK-390(1)/SRC
AN/URR-13.....AS-468(1)/B
AN/URR-13.....AS-523/BPX+1
AN/URR-13.....AS-525/BPX+1
AN/URR-13.....AS-729/S+1
AN/URR-21A.....AS-5011/UR
AN/URR-35.....AS-468(1)/B
AN/URT-4.....66047
AN/URT-7.....AS-5011/UR
ARC.....66AA3
BA.....66ADA
BC-1004-B.....AS-353/FR+1
BC-1004-C.....AS-353/FR+1
BC-1004-D.....AS-353/FR+1
BC-779-A.....AS-353/FR+1
BC-779-B.....AS-353/FR+1
BC-794-A.....AS-353/FR+1
BC-794-B.....AS-353/FR+1
BE.....66AA3
BE.....66AAC
BE.....66AAD
BF.....66AAB
BF.....66AAC
BF.....66AAD
BG.....66AET-(1)
BG.....66AEU-(1)
BG.....66AJE
BG.....66AJF
BH.....66AAM
BI.....66AAH
BI-1.....66AAH
BL.....66ABG
BL.....66ACG

ASSOCIATED EQUIPMENT INDEX (continued)

BL.....	66AET-(*)	DF-1011.....	*DF-2076
BL.....	66AEU-(*)	DF-1016.....	*DF-2076
BL.....	66AJE.....	DO.....	69003
BL.....	66AJF.....	DP-12.....	69046
BL-1.....	66ABM.....	DP-13.....	69046
BL-1.....	66AFJ.....	DP-18.....	69046
BL-2.....	66ABM.....	DP-19.....	69046
BL-2.....	66AFJ.....	DP-4.....	69005-A
BL-3.....	66ABM.....	DP-9.....	69046
BL-4.....	66ABM.....	DXA.....	66AGO-1
BL-4.....	66AFJ.....	DXB.....	66ALX
BL-5.....	66ABM.....	DXC.....	66ALY
BL-9.....	66AFJ.....	FC.....	FC
BL-8.....	66AFJ.....	FC.....	MARK 3
BM.....	66ACF.....	FD.....	66AAH
BM.....	66ACG.....	FM.....	66AAS
BM.....	66ADS.....	JM-4.....	66042
BM-1.....	66AFJ.....	LW.....	66ABL
BM-2.....	66AFJ.....	MAB-1.....	66081-(*)
BM.....	66ACG.....	MAE-1.....	66121
BM.....	66ACG.....	MAC-1.....	66122
BM.....	66AFU-(*)	MAH.....	66102
BM-2.....	66AFJ.....	MAR.....	66147
BQ.....	66AFJ.....	MAR-RDR.....	AS-3901*/5RC
BQ.....	66AGH.....	MAR-RDR.....	AT-1501*/5RC
BQ.....	66AGJ.....	MARK 1.....	66AAA
BR.....	66AGL.....	MARK 1, MOD 3.....	66AFS
BR-1.....	66AGL.....	MARK 10.....	AS-322(*)/BPX
BT.....	66AKN.....	MARK 10.....	AS-324/3PX(+)
BT.....	66AKO.....	MARK 10.....	AS-323/3PX(+)
CXBF.....	66ACM.....	MARK 11.....	66ALC
CXBQ.....	66ADI.....	MARK 12.....	66ALC
CXBQ.....	66ADJ.....	MARK 12, MOD 1.....	66AFF
CXBR-1.....	66AFG.....	MARK 13, MOD 0.....	66AMJ
CXBS.....	66ABY.....	MARK 13, MOD 2.....	66AMP
CXBX.....	66ADN.....	MARK 16.....	66AFA
CXC.....	69AAA.....	MARK 16.....	66AFB
CXCH.....	66ADO.....	MARK 19.....	MARK 19
CXFR.....	66AMN.....	MARK 2.....	FC
CXFR.....	66AMH.....	MARK 2.....	MARK 3
CXJN.....	66AMT.....	MARK 20.....	66AGM
DAE.....	69074.....	MARK 20, MOD 0.....	66AGM
DAE-1.....	69074.....	MARK 20, MOD 1.....	66AMH
DAE-2.....	69092.....	MARK 20, MOD 2.....	66AMC
DAF.....	69079.....	MARK 22, MOD 1.....	66AGT
DAG.....	66054.....	MARK 25, MOD 2.....	MARK 18, MOD 0
DAG.....	69077.....	MARK 25, MOD 2.....	66AMY-(*)
DAG-1.....	66054.....	MARK 25, MOD 6A.....	MARK 25, MOD 6A
DAG-1.....	69077.....	MARK 25, MOD 6A.....	MARK 21, MOD 1, UNIT 1A
DAG-2.....	66054.....	MARK 25, MOD 6A.....	MARK 22, MOD 0, UNIT 1D
DAG-2.....	69077.....	MARK 25, MOD 6A.....	MARK 23, MOD 0, UNIT 1G
DAK.....	69084.....	MARK 26, MOD 3.....	66AFV
DAK-1.....	69084.....	MARK 26, MOD 4.....	66AFV
DAK-2.....	66093.....	MARK 27.....	66AGK
DAK-2.....	69089.....	MARK 28, MOD 0.....	66AJQ
DAK-3.....	66093.....	MARK 28, MOD 2.....	66AJQ
DAK-3.....	69089.....	MARK 28, MOD 3.....	66AJQ
DAP.....	69085.....	MARK 29, MOD 2.....	66AJJ
DAG.....	69083(*)	MARK 3.....	MARK 3
DCU.....	69083(*)	MARK 3.....	66AMG
DAV-2.....	66081-(*)	MARK 3.....	66AMH
DAZ.....	66148(*)	MARK 3.....	66AJU
DBB.....	66109.....	MARK 3.....	66AMH
DBB.....	66110.....	MARK 3.....	66AMH
DBB.....	66111.....	MARK 3, MOD 0.....	FC
DBB.....	66112.....	MARK 3, MOD 0.....	MARK 3
DBB.....	66113.....	MARK 32, MOD 1.....	MARK 18, MOD 0
DBB.....	66114.....	MARK 32, MOD 1.....	66AKK
DBB-1.....	66115.....	MARK 32, MOD 1.....	66ALD
DBB-1.....	66116.....	MARK 33.....	66AJC
DBB-1.....	66117.....	MARK 33.....	66AKE
DBF.....	66128.....	MARK 34, MOD 11.....	66AJZ
DBF.....	66158.....	MARK 34, MOD 13.....	66AND
DBF-1.....	66148(*)	MARK 34, MOD 16.....	66AKU
DBM.....	*M4101	MARK 34, MOD 17.....	AS-515(1)/SPB
DBM.....	*M4503	MARK 34, MOD 2.....	MARK 4, MOD 1
DBM.....	*M6120	MARK 34, MOD 2.....	MARK 4, MOD 1
DBM.....	*M6700	MARK 34, MOD 6.....	MARK 4, MOD 1
DBM.....	66AMH.....	MARK 34, MOD 8.....	66AKU
DBM.....	66136.....	MARK 39, MOD 0.....	66AKY
DBM.....	66137.....	MARK 39, MOD 1.....	66AKY
DBM-1.....	*M6700	MARK 39, MOD 3.....	66AKK
DBM-1.....	AT-151/UPT	MARK 4.....	66AAH
DBM-1.....	66AMH.....	MARK 4.....	66AHJ
DBM-1.....	66139.....	MARK 4.....	66AJH
DBM-1.....	66140.....	MARK 4.....	66AJU
DBM-1.....	66141.....	MARK 4.....	66AJU
DBM-1.....	66142.....	MARK 4.....	66AME

ASSOCIATED EQUIPMENT INDEX (continued)

MARK 4, MOD 16	MARK MOD 1	SC-1	66ABC
MARK 5	66AAN	SC-1	66ABD
MARK 6	66ACM	SC-1	66ABE
MARK 8, MOD 0	66AAS	SC-1	66ABF
MARK 8, MOD 1	66AAS	SC-1	66AML
MARK 8, MOD 2	66AHY	SC-2	66ACB
MARK 8, MOD 2	66AHZ	SC-2	66ACC
MARK 8, MOD 3	66AHU	SC-2	66ACD
MARK 94, MOD 17	AT-194(1)/SPG	SC-2	66ACE
MBE	66ALE	SC-3	66AER
MBF	66O89	SC-3	66AES
MBF	66143	SC-3	66AET-(*)
MBR	66AMU	SC-3	66AEU-(*)
MN	66044-(*)	SC-4	66AET-(*)
MN-1	66044-(*)	SC-4	66AEU-(*)
MN-1	66080	SC-5	66AJE
MN-1	66127	SC-5	66AJF
MN-2	66044-(*)	SC1	66ALH
MN-2	66080	SCR-281-(1)	AN-44-A
MN-3	66044-(*)	SCR-300	AN/SRA-3
MN-3	66080	SCR-300	AT-252/SR
MN-4	66044-(*)	SCR-300-(1)	AT-236(1)/GRD
MN-4	66044-(*)	SCR-308	AN/SRA-3
MN-5	66044-(*)	SCR-308	AT-252/SR
MN-5	66119	SCR-310	AN/SRA-3
MN-5	66120	SCR-310	AT-252/SR
MU	66068	SCR-387	AS-56/SPR-1
MU	66069	SCR-387	AS-57/SPR-1
MV	66070	SCR-608	AN/SRA-3
MV	66071	SCR-608	AT-252/SR
MW	66072	SCR-610	AN/SRA-3
MW	66073	SCR-610	AT-252/SR
MW	66074	SCR-624	AS-324/BPX+(1)
MX	66075	SCR-624	AS-325/BPX+(1)
MX	66076	SCR-624	AS-335/B+(1)
MX	66077	SCR-624	66134(1)
MX-11	66ADP	SCR-628	AN/SRA-3
MX-1627/URN-3	AT-592/URN-3	SCR-628	AT-252/SR
MZ	66086	SD	66AAG
MZ-2	66118	SD-A	66AAG
OAF	66ADC	SD-A	66AAR-(*)
OAM	66082	SD-1	66AAR-(*)
OCY-1	AS-263/UPY	SD-2	66AAR-(*)
OCY-1	AS-71/SPT-2	SD-2	66AFE
OCY-1	AT-193(1)U	SD-3(21)	66ADB
PO	66AJZ	SD-3(21)	66ADC
R-728A	MARK6 CORNER	SD-4	66AFE
RAK	AT-274/BRR	SD-5	66AFE
RAK	AT-317/BRR	SE	66ABO
RAK	66097	SF	66ADK
RAO-9	66046	SF	66AEX
RAR	66026	SF	66AFT-(*)
RAU-2	66050	SF-1	66AFT-(*)
RBA	AT-274/BRR	SG	66ABJ-(*)
RBA	AT-317/BRR	SG-A	66ABJ-(*)
RBC	AN/SRA-10(XG-1)	SG-B	66ABJ-(*)
RBK-14	66044(1)	SG-C	66AKZ
RBO-1	66157	SG-D	66AKZ
RBR-14	66044(1)	SG-E	66AMS
RC-160	AS-124/APR	SG-1	MARK III
RCK	AS-3011/UR	SG-1	66ABJ-(*)
RCK	66095	SG-1B	66ABJ-(*)
RCK	66134(1)	SG-1B	66AMS
RDC-1	66044(1)	SG-1C	66AKZ
RDG	66046	SG-1D	66AKZ
RDO	66131	SG-1E	66AMS
RDO	66132-(1)	SG-3	66AJP
RDR	66147	SG-344/URN-117	AT-894/URN-117
RDZ	AS-493/U	SG-4	66AKP
RDZ	66147	SG-4	66AML
REF	66AKQ	SG-6	66ANQ-(*)
SA	66ABQ	SG-6A	66ANQ-(*)
SA-1	66ABR	SG-6B	66ANQ-(*)
SA-2	66AEM	SH	66AAQ
SA-3	66AEM	SJ	66AAP
SB	66ADR	SJ	66ADH
SC	66AAJ	SJ-A	66AFD
SC	66AAJ	SJ-1	66AFC
SC	66AAK	SK	66ABH
SC	66ABQ	SK	66ALA
SC	66AHL	SK	66ALB
SC	66ALA	SK	66ALF
SC	66ALB	SK	66ALG
SC-1	66AAZ	SK-1M	66AGM
SC-1	66AAZ	SK-1M	66AGK
SC-1	66ABA	SK-2	66AFR
SC-1	66ABB	SK-3	66AFR

ASSOCIATED EQUIPMENT INDEX (continued)

SL.....	66AEP-(*)	TBY-1.....	66025-A
SL-A.....	66AEP-(*)	TBY-6.....	66087
SL-1.....	66AEP-(*)	TCO.....	66026
SM.....	66AEZ-(*)	YCK.....	66047
SM-1.....	66AEZ-(*)	TCL-1.....	66033
SM-1.....	66AFP	TCL-2.....	66043
SM-1.....	66AFQ-(*)	TCQ.....	66028
SM-1.....	66AHA	TC5.....	66040
SN.....	66ABU	TDO.....	AS-5011/UR
SN-1.....	66AEQ	TDO.....	66091
SO.....	66ADN	TDO.....	66095
SO.....	66ADO	TDO.....	66134(*)
SO.....	66AFK-(*)	TDO-RCK.....	AS-524/BPX+(1)
SO.....	66AGU-(*)	TDO-RCK.....	AS-525/BPX+(1)
SO-A.....	66ADN	TDO-RCK.....	AS-535/B+(1)
SO-A.....	66ADO	TDT.....	66091
SO-A.....	66AFK-(*)	TDY.....	66086
SO-A.....	66AGR-(*)	TDY.....	*M2909
SO-A.....	66AGU-(*)	TDY.....	62ABJ
SO-1.....	66AFL	TDY.....	66AGZ-(*)
SO-1.....	66AGE	TDY.....	66AHM
SO-1.....	66AHS	TDY.....	66AHN
SO-1A.....	66AGQ	TDY.....	66AJR
SO-10.....	66AMP	TDY.....	66AJT
SO-11.....	66AGP	TDY-A.....	66AKC
SO-11.....	66AKT	TDY-A.....	66ALK
SO-12M.....	66AFJ	TDY-1.....	62ABJ
SO-12N.....	66AFJ	TDY-1.....	66AJA
SO-13.....	*A-3A6-W7/REV 9	TDY-1.....	66AJB
SO-13.....	66AFK-(*)	TDY-1.....	66AJB
SO-13.....	66AGR-(*)	TDY-1.....	66AJN
SO-13.....	66AGU-(*)	TDY-1.....	66AJR
SO-2.....	66AFN	TDY-1.....	66AJT
SO-2.....	66AGE	TDY-1.....	66AJY
SO-3.....	66AFK-(*)	TDY-1.....	66AKJ
SO-3.....	66AGF	TDY-1.....	66AKL
SO-4.....	66AGS	TDY-1.....	66AKM
SO-5.....	66ALZ	TDY-1A.....	66AKG
SO-6.....	66AMP	TDY-1A.....	66ALK
SO-7M.....	AT-163/U	TDY-2.....	*M2913
SO-7M.....	66AFJ	TDY-2.....	66ALO
SO-7N.....	AT-163/U	TDY-2.....	66ALR
SO-7N.....	66AFJ	TDY-2.....	66ALS
SO-8.....	AT-163/U	TDY-2.....	66ALT
SO-8.....	66AFM	TDY-2.....	66ALU
SO-8.....	66AGD	TDY-2.....	66ALV
SO-8.....	66AGO	TDZ.....	AS-495/U
SO-8A.....	66AGN	TDZ.....	66147
SO-9.....	66AHR	TDZ-RDZ.....	AS-390(*)/SRC
SP.....	66AHP	TDZ-RDZ.....	AS-468(1)/B
SP.....	66AHO-(*)	TDZ-RDZ.....	AS-523/BPX+(1)
SP-1M.....	66AKD	TDZ-RDZ.....	AS-525/BPX+(1)
SP-2.....	66ANF	TDZ-RDZ.....	AT-150(*)/SRC
SP-6.....	*519E467G1	TED.....	AS-390(*)/SRC
SO.....	66AFG	TED.....	AS-468(1)/B
SR.....	66AME	TED.....	AS-523/BPX+(1)
SR.....	66AHF	TED.....	AS-525/BPX+(1)
SR.....	66AHK	TED.....	AT-150(*)/SRC
SR-A.....	66AHE	TE.....	66147
SR-A.....	66AHF	TS-117/GP.....	AS-23/AP
SR-2.....	66AKB	TS-13/AP.....	AT-48/UP
SR-2.....	66AKC	TS-318(1)/UP.....	AS-377/U+(1)
SR-3.....	66AKN	TS-48/AP.....	AS-23/AP
SR-3.....	66ALN	UM-2.....	66049
SR-3A.....	AS-402(*)/SPS-6	X-DBM.....	66164
SR-3C.....	AS-430(*)/SPS-6B	X-MBT.....	66AMN
SR-6.....	66ANV-(*)	X-MBT.....	66AMO
SS.....	66AKW	X-SG-7.....	66AMZ
SS.....	66AKX-(*)	X-TDY.....	66AGZ-(*)
SS-1.....	66AKW	XBD.....	66ADE
SS-1.....	66AKX-(*)	YE-1.....	66036
SS-2.....	66AKW	YE-2.....	66036
SS-2.....	66AKX-(*)	YE-3.....	66036
SU.....	66AGY-(*)	YG.....	66037
SU-1.....	66AGY-(*)	YG-1.....	66037
SU-2.....	66AMR	YG-2.....	66037
SV.....	66AJV-(*)	YM.....	66ABS
SV-1.....	66AJV-(*)	YM-1.....	66ADG
SV-1.....	66AJV-(*)	YJ-2.....	66AFJ
SV-4.....	66AJV-(*)	YJ-2.....	66AJK
SX.....	66ALM	YJ-2.....	66AJL
SX-2.....	66ANJ	YL.....	66088
TBP.....	66Q25	YO.....	*A12005
TBS.....	66Q15	YQ.....	66AJZ
TBS.....	66Q16	YQ.....	66AKH
TBS.....	66089	1302.....	MARK6 CORNER
TBY.....	66089	168-8.....	AS-376(1)/SRT

ASSOCIATED EQUIPMENT INDEX (continued)

52ADN.....AS-263/UPT
 52ADN.....AS-71/SPT-2

52ADN.....AT-193(*)/U
 60069-8.....66145-A

EQUIPMENT FUNCTION INDEX

Approach Control

AN/SPN-2.....UHF
 AS-762/MPN-5.....SHF
 AS-763/MPN-5.....SMF
 AS-764/MPN-5.....UHF
 AS-765/MPN-5.....UHF
 AS-82(*)/APQ-7.....SHF
 AT-262/MPN-5+().....SHF
 AT-263/MPN-5+().....SHF
 AT-265/MPN-5+().....UHF
 AT-268/MPN-5+().....UHF
 AT-409/MPN-5.....SHF
 AT-410/MPN-5+().....SHF
 AT-411/MPN-5+().....UHF

Beacon

AS-493/U.....VHF,UHF

Bombing

AS-82(*)/APQ-7.....SHF

Communications

AN/URC-11.....VHF
 AN/URC-4.....VHF
 MN-4.....VHF
 AN/SRA-10(XG-1).....HF
 AN/SRA-3.....HF,VHF
 AN-44-A.....MF
 AS-1014/B.....MF,HF,UHF
 AS-207/CRT-3.....MF
 AS-352/UR+().....MF
 AS-353/FR+().....MF,HF
 AS-372/BRC.....VHF,UHF
 AS-376()/SRT.....MF
 AS-390(*)/SRC.....VHF,UHF
 AS-410(*)/URD-2.....VHF
 AS-468()/B.....VHF,UHF
 AS-49/TPT-1.....VHF,UHF
 AS-493/U.....VHF,UHF
 AS-50/TPT-1.....VHF
 AS-5011/UR.....VHF
 AS-505(*)/GR.....VHF,UHF
 AS-523/BPX+().....VHF,UHF
 AS-524/BPX+().....VHF,UHF
 AS-525/BPX+().....VHF,UHF
 AS-535/B+().....VHF
 AS-668/SR.....VHF,UHF
 AS-71/SPT-2.....UHF
 AS-725/S+().....VHF,UHF
 AS-933/SR.....VHF,UHF
 AS-949/BPX.....MF,HF,VHF,UHF
 AS-997/SRC.....VHF,UHF
 AT-150(*)/SRC.....VHF,UHF
 AT-252/SR.....HF,VHF
 AT-274/BRR.....VLF,LF
 AT-317/BRR.....VLF,LF
 AT-343()/URC.....MF,HF
 AT-350/BRC.....MF,HF
 AT-458/SR.....VHF,UHF
 AT-497/U.....MF,HF
 AT-5032/SRC-501.....MF,HF
 AT-609()/SRC-8+().....MF,HF
 AT-774()/UR.....MF,HF
 AT-818/BRC.....MF,HF
 AT-883/SRD-13.....LF,MF,HF
 MK-89/URN-5.....MF
 MX-766()/SR.....MF
 66AAX.....VHF,UHF
 66ADP.....VHF,UHF
 66AGZ-().....VHF,UHF
 66AKV.....SMF
 66AKX-().....SHF
 66015.....VHF
 66016.....VHF
 66025.....VHF

Communications (continued)

66025-A.....VHF
 66026.....VHF
 66028.....MF
 66033.....VHF
 66040.....MF,HF
 66043.....VHF
 66044(*).....VHF
 66044-().....VHF
 66046.....MF,HF
 66047.....MF,HF
 66080.....VHF
 66081-().....MF,HF
 66102.....VHF
 66119.....VHF
 66120.....VHF
 66127.....SHF
 66134(*).....VHF
 66147.....VHF,UHF
 66157.....VHF

Countermeasures

AS-45(*)/APR-6.....SMF
 AT-365(*)/BL.....VHF,UHF
 66131.....UHF,SHF

Countermeasures, Deception

66ALE.....UHF,SHF

Countermeasures, Direction Finding

*M4101.....VHF,UHF
 *M4503.....UHF,SHF
 *M6120.....VHF,UHF
 *M6700.....SHF
 AS-514/URD-4+().....VHF,UHF
 AS-977/SRD-13.....LF,MF,HF
 66AGO-1.....VHF,UHF
 66AMH.....VHF,UHF
 66054.....MF,HF
 66109.....UHF
 66110.....UHF
 66111.....VHF
 66112.....VHF
 66113.....UHF
 66114.....UHF
 66115.....VHF
 66116.....UHF
 66117.....UHF
 66128.....VHF
 66136.....VHF,UHF
 66137.....UHF,SHF
 66139.....VHF,UHF
 66140.....UHF,SHF
 66141.....VHF,UHF
 66142.....UHF,SMF
 66148(*).....VHF
 69046.....LF,MF

Countermeasures, Jamming

*M2909.....UHF
 *M2912.....UHF
 *M2913.....UHF
 *M2915.....UHF
 AS-14511/SPT-6.....UHF
 AS-236(*)/SPT.....UHF
 AS-263/UPT.....VHF,UHF
 AS-37/SPT-4.....UHF
 AS-49/TPT-1.....VHF
 AS-50/TPT-1.....VHF
 66AJA.....UHF
 66AJB.....UHF
 66AJM.....VHF,UHF
 66AJN.....VHF
 66AJR.....UHF

EQUIPMENT FUNCTION INDEX (continued)

Countermeasures, Jamming (continued)

66AJT.....
 66AJK.....VHF,UHF
 66AJY.....UHF
 66AKG.....UHF,SHF
 66AKJ.....VHF
 66AKL.....VHF
 66AKM.....VHF,UHF
 66ALE.....UHF,SIF
 66ALQ.....VHF
 66ALR.....VHF,UHF
 66ALS.....VHF,UHF
 66ALT.....UHF
 66ALU.....UHF

Countermeasures, Monitoring

*M2414.....UHF
 AS-371(*)/S.....UHF,SHF
 AT-477/U.....VHF,UHF
 AT-693/BLR.....VHF,UHF
 66ALE.....UHF,SHF
 66ALK.....UHF,SHF
 66042.....VHF
 66049.....VHF
 66132(*).....VHF,UHF

Countermeasures, Search

AS-124/APR.....VHF,UHF
 AS-393(*)/BLR.....UHF,SHF
 AS-56/SPR-1.....VHF
 AS-57/SPR-1.....VHF,UHF
 66132(*).....VHF,UHF

Direction Finding

*DF-2076.....LF,MF
 AS-410(*)/URD-2.....VHF
 AS-614/SRD-9.....VHF,UHF
 AS-658/BRD-3.....VHF,UHF
 AS-714/SRD-7.....LF,MF,HF
 AT-193(*)/U.....VHF
 AT-422(*)/URD-1X+1.....LF,MF
 AT-557/SMD-1A.....UHF
 AT-627/SRD-12.....LF,MF,HF
 AT-628/SRD-12.....LF,MF,HF
 66ALX.....
 66ALY.....
 66093.....LF,MF
 66164.....LF,MF,HF
 69006-A.....LF,MF
 69074.....LF,MF
 69077.....MF,HF
 69079.....LF,MF,HF
 69083(*).....MF,HF
 69084.....VHF,UHF
 69085.....LF,MF
 69089.....LF,MF
 69092.....LF,MF

Fire Control

*MARK 4, MOD 1.....UHF
 *FC.....UHF
 *MARK 19.....VHF,UHF
 *MARK 25, MOD 6A.....SHF
 *MARK 3.....UHF
 AS-515()/SPG.....SHF
 AS-782/SPG-49.....SHF
 AT-194()/SPG.....SHF
 AT-276/SPG.....SHF
 AT-636/SPG-49.....SHF
 MARK 18, MOD 0.....
 MARK 21,MOD 1,UNIT 1A.....SHF
 MARK 22,MOD 0,UNIT 1D.....SHF
 MARK 23,MOD 0,UNIT 1G.....SHF
 RF-60/SPG-49.....
 66AAA.....UHF
 66AAM.....UHF
 66AAN.....UHF
 66AAP.....UHF,SHF
 66AAQ.....UHF,SHF
 66AAS.....SHF
 66ACM.....UHF
 66ADM.....SHF

Fire Control (continued)

66AFA.....
 66AFB.....
 66AFC.....UHF,SHF
 66AFD.....SHF
 66AFF.....UHF
 66AFS.....
 66AFV.....
 66AGK.....UHF,SHF
 66AGM.....UHF
 66AGT.....SHF
 66AMP.....UHF
 66AHC(*).....UHF
 66AHU.....SHF
 66AHW.....UHF
 66AHY.....SHF
 66AHZ.....SHF
 66AJT.....
 66AJJ.....SHF
 66AJQ.....
 66AJS.....SHF
 66AJU.....
 66AKE.....VHF
 66AKK.....
 66AKU.....SHF
 66AKV.....SHF
 66AKX(*).....SHF
 66AKY.....
 66ALC.....VHF
 66ALD.....
 66AMC.....
 66AMF.....
 66AMK.....SHF
 66AMY(*).....SHF
 66AND.....SHF

Guidance

AS-1011/SPG-55.....SHF
 AS-1012/SPG-55.....SHF

Guidance, Beamrider

*MARK 25, MOD 6A.....SHF
 MARK 21,MOD 1,UNIT 1A.....SHF
 MARK 22,MOD 0,UNIT 1D.....SHF
 MARK 23,MOD 0,UNIT 1G.....SHF

Height Finding

*DL 129L504G01.....
 AS-484(*)/SPS-8.....SHF
 AS-828(*)/SPS.....SHF
 66ALH.....UHF,SHF
 66ANF.....
 66ANJ.....VHF,UHF,SHF

IFF ("Identification, Friend or foe")

*AN/SPS-16(KN-1).....UHF
 AN/UPA-22(*).....UHF
 AN/UPA-23(*).....UHF
 AS-1014/B.....MF,HF,UHF
 AS-1065/UPX+1.....UHF
 AS-429(*)/SPS-6A.....UHF
 AS-522(*)/BPX.....UHF
 AS-523/BPX+1.....VHF,UHF
 AS-524/BPX+1.....VHF,UHF
 AS-525/BPX+1.....VHF,UHF
 AS-594()/BPS-4.....SHF
 AS-615/SPS-10.....UHF,SHF
 AS-904()/UPX.....UHF
 AS-905/UPX.....UHF
 AS-936/SPS-1C.....UHF,SHF
 AS-949/BPX.....MF,HF,VHF,UHF
 AT-352/UPA-22(*).....UHF
 AT-946()/SPX-9.....SHF
 MARK 18, MOD 0.....
 66AAB.....
 66AAC.....
 66AAD.....
 66AAM.....
 66ABG.....
 66ABM.....

EQUIPMENT FUNCTION INDEX (continued)

IFF ("Identification, friend or foe") (continued)

66ACF.....VHF
 66ACG.....VHF
 66ADA.....VHF
 66ADS.....VHF
 66AET-(*).....VHF
 66AEU-(*).....VHF
 66AEZ-(*).....UHF
 66AFJ.....VHF
 66AFQ-(*).....UHF
 66AFU-(*).....VHF
 66AGH.....VHF
 66AGJ.....VHF
 66AGL.....VHF
 66AGW.....VHF
 66AGX.....VHF
 66AHA.....UHF
 66AHG.....VHF
 66AHM.....VHF
 66AHJ.....VHF
 66AHL.....VHF
 66AJE.....VHF
 66AJF.....VHF
 66AJM.....VHF
 66AKN.....VHF
 66AKO.....UHF
 66AMD.....VHF
 66AME.....VHF
 66AMW.....VHF
 66ANJ.....VHF,UHF,SHF

Meteorological Measurement

AS-389/FHQ-2.....UHF
 AS-476/SMD.....UHF
 AS-750/SMD-1A.....UHF
 66050.....VHF

Navigation

*OR200789 CHANGE E.....
 AS-221/CPN-17.....SHF
 AS-404/SPN-4.....SHF
 AS-444/SPN-5.....SHF
 AS-500/BPN.....SHF
 AS-601/SPN-13.....SHF
 66ADG.....

Navigation, Direction Finding

AS-514/URD-4+().....VHF,UHF
 AS-659/SPN-18.....SHF
 AT-236()/GRD.....VHF
 69003.....VHF

Navigation, Surface Reference

AS-118/CPN-6.....SHF
 AS-502/TPN+().....SHF
 AS-677/URN-3.....UHF
 AS-678/URN-3.....UHF
 AS-777/URN-3.....UHF
 AS-889/SRN-6.....UHF
 AS-890/SRN-6.....UHF
 AS-891/URN.....UHF
 AS-892/URN.....UHF
 MK-89/URN-5.....UHF
 OA-553/URN-3.....UHF
 OA-554/URN-3.....UHF
 OA-878(*)/URN-3.....UHF
 66AJK.....VHF,UHF
 66AJL.....VHF,UHF
 66AKM.....UHF
 66036.....VHF
 66037.....VHF
 66088.....VHF

Radar Beacon

AS-501()/SPN.....SHF
 66ABS.....VHF

Remote Control

AS-149/TRT-1.....HF,VHF
 AS-240/TRR-2.....HF,VHF

Search

MARK III.....SHF
 AN/SPS-16(XN-1).....UHF
 519E467G1.....UHF
 AS-1002/SPS-5C.....SHF
 AS-1066/SPS-46.....SHF
 AS-1067/SPS-46X.....SHF
 AS-651/SPS-5B.....SHF
 AS-710/SPS-31.....SHF
 AS-744/SPS-23.....SHF
 AS-745/SPS-23X.....SHF
 AS-746/SPS-23Y.....SHF
 AS-747/SPS-23Z.....SHF
 AS-748/SPS-23XX.....SHF
 AS-932/SPS-17A.....VHF
 AS-994/BPS-9A.....SHF
 66AAC.....UHF
 66AAG.....UHF,SHF
 66AAZ.....VHF
 66ABA.....VHF
 66ABB.....VHF
 66ABC.....VHF
 66ABD.....VHF
 66ABE.....VHF
 66ABF.....VHF
 66ABO.....UHF,SHF
 66ABQ.....VHF
 66ABR.....VHF
 66ACB.....VHF
 66ACC.....VHF
 66ACD.....VHF
 66ACE.....VHF
 66ADB.....VHF
 66ADC.....VHF
 66ADI.....SHF
 66ADJ.....SHF
 66ADN.....VHF
 66ADR.....VHF
 66AEQ.....VHF
 66AER.....VHF
 66AES.....VHF
 66AEW.....VHF
 66AEZ-(*).....UHF
 66AFC.....UHF,SHF
 66AFD.....SHF
 66AFE.....VHF
 66AFG.....VHF
 66AFK-(*).....VHF
 66AFL.....UHF,SHF
 66AFM.....UHF,SHF
 66AFP.....VHF
 66AFQ-(*).....UHF
 66AFP.....VHF
 66AFT-(*).....UHF,SHF
 66AGF.....UHF,SHF
 66AGQ.....UHF,SHF
 66AGR-(*).....UHF,SHF
 66AGU-(*).....UHF,SHF
 66AGW.....VHF
 66AGX.....VHF
 66AHA.....UHF
 66AHR.....UHF
 66AHS.....VHF
 66AKD.....VHF
 66AKP.....SHF
 66AFT.....UHF
 66ALF.....UHF
 66ALG.....UHF
 66ALM.....UHF,SHF
 66ANL.....UHF
 66ANZ.....UHF

Search, Air

MARK 25 MOD 6A.....SHF
 AS-402(*)/SPS-6.....UHF
 AS-429(*)/SPS-6A.....UHF

EQUIPMENT FUNCTION INDEX (continued)

Search, Air (continued)

AS-430(*)/SPS-6B.....UHF
AS-508/SPS-4.....SHF
AS-511(1)/SPS-5.....SHF
AS-594(1)/BPS-4.....SHF
AS-603/SPS-12.....UHF
AS-695/SPS.....SHF
AS-696/SPS.....SHF
AS-828(*)/SPS.....SHF
MARK 21,MOD 1,UNIT 1A.....SHF
MARK 22,MOD 0,UNIT 1D.....SHF
MARK 23,MOD 0,UNIT 1G.....SHF
OA-2653/UPS-1.....
66AJ.....VHF
66AK.....VHF
66ABM.....VHF
66AET-(*).....VHF
66AEU-(*).....VHF
66AGP.....UHF,SHF
66AHE.....VHF
66AHF.....VHF
55AJE.....VHF
55AJF.....VHF
66AJV-(*).....SHF
66AJZ.....VHF
66AKB.....UHF
66AKC.....
66AKW.....SHF
66AKX-(*).....SHF
66AKZ.....SHF
66ALA.....VHF
66ALB.....VHF
66ALN.....UHF
66AMO-(*).....SHF
66AMV-(*).....UHF
66ANJ.....VHF,UHF,SHF

Search, Surface

AN/SPS-35.....SHF
AS-1004/SPS-41.....SHF
AS-508/SPS-4.....SHF
AS-511(1)/SPS-5.....SHF
AS-594(1)/BPS-4.....SHF
AS-599(1)/SPN-11(*).....SHF
AS-619/SPS-10.....UHF,SHF
AS-659/SPN-18.....SHF
AS-695/SPS.....
AS-696/SPS.....SHF
AS-R26/SPN-22.....SHF
AS-828(*)/SPS.....SHF
AS-923/SPS-35.....SHF
AS-925/SPS-36.....
AS-936/SPS-10B.....UHF,SHF
66ABJ-(*).....SHF
66ABU.....
66ADK.....SHF
66AEP-(*).....UHF
66AEX.....SHF
66AFM.....UHF,SHF
66AGD.....UHF,SHF
66AGF.....SHF
66AGK.....UHF,SHF

Search, Surface (continued)

66AGN.....UHF,SHF
66AGO.....UHF,SHF
66AGS.....SHF
66AG(-*).....SHF
66AHP.....UHF
66AHQ-(*).....UHF
66AHU.....SHF
66AJP.....SHF
66AKW.....SHF
66AKX-(*).....SHF
66ALN.....UHF
66ALZ.....SHF
66AMP.....SHF
66AMO-(*).....SHF
66AMR.....SHF
66AMS.....SHF
66AMV-(*).....SHF

Telemetering

AS-379/UKR.....VHF
AT-165(*)/UKR.....VHF
AT-373/UKR.....VHF

Test

AB-371/U.....VHF,UHF
AN/SRA-3.....UHF,VHF
AS-23/AP.....UHF,SHF
AS-377/U(*).....VHF
AS-71/SPT-2.....UHF
AT-151/UPT.....SHF
AT-163/U.....UHF,SHF
AT-252/SR.....UHF,SHF
AT-437(1)/SPS-12.....UHF
AT-48/UP.....SHF
AT-50/U.....VHF
AT-51/U.....UHF
AT-521/URM-42.....SHF
AT-522/URM-42.....UHF
AT-592/URM-3.....UHF
AT-894/URM-117.....VHF
62ABJ.....VHF,UHF
66ABL.....UHF
66ADO.....
66AHK.....VHF
66ALG.....UHF
66ALV.....VHF,UHF
660B2.....LF,HF
66145-A.....MF

Tracking

66AJV-(*).....SHF

Training

AS-263/UPT.....VHF,UHF
AT-193(*)/U.....UHF
66ADC.....

STOCK NUMBER INDEX

H3985-369-3394.....AS-71/SPT-2
FL3985-L00-7504.....AT-813/BRC
R-16-PM-358-4324.....AS-623/UP
N16AN-AS124APR.....AS-124/APR
R16AN-AS389FMQ2.....AS-389/FMQ-2
R16M150.....AT-48/UP
F16-A-052015-2795.....AS-777/URN-3
F16-A-064131-1061.....OA-078(*)/URN-3
F16-A-46960-1501.....66128
N16-A-45460-7501.....66132-(*)
F16-A-45495-440.....66131
F16-A-45542-1101.....AS-371(*)/S
F16-A-45795-2421.....AT-274/BRR
16-A-48584-9201.....66AKJ
16-A-48587-9421.....66AKL
F16-A-48590-9900.....66AKM
16-A-48591-8571.....66AKM

16-A-48599-4201.....66AJV
F16-A-48616-9940.....66AMV-(*)
F16-A-51990-1201.....AT-150(*)/SRC
F16-A-51990-6101.....AS-668/SR
F16-A-52014-4630-2.....AS-677/URN-3
F16-A-52016-1409-2.....AS-678/URN-3
F16-A-52016-1991.....66ALN
F16-A-52016-2099.....66AMV-(*)
F16-A-52273-2501.....66145
N16-A-52282-700.....66134(*)
F16-A-52284-700.....66134(*)
F16-A-52289-7781.....66AC6
F16-A-52289-7885.....66AFJ
N16-A-52289-7891.....66AFU-(*)
F16-A-53094-3001.....AS-484(*)/SPS-8
F16-A-53390-1001.....AS-390(*)/SRC
N16-A-54463-9150.....AT-252/64

STOCK NUMBER INDEX (continued)

F16-A-54466-6121.....66044(*)
 F16-A-54466-6121.....66044(*)
 F16-A-54466-6141.....66044(*)
 F16-A-54466-6141.....66044(*)
 F16-A-55157-9771.....AS-353(*)/BLR
 F16-A-55158-4655.....66AMQ(*)
 F16-A-55158-2387.....66148(*)
 F16-A-59694-1388.....66AGN
 F16-A-64191-1050-2.....QA-553/URN-3
 F16-A-64191-1051-2.....QA-554/URN-3
 F16-RA-9991.....66AET-(*)
 N16-52920-1001.....AS-594(*)/BPS-4
 1660-202152396.....AS-124/APR
 F17-T-29379-5781.....66ZABJ
 F17-W-350001-108.....MK-89/URN-3
 1700-015088405.....MK-89/URN-3
 ZA202AS-444.....AS-444/SPN-3
 ZA244A.....AN-44-A
 ZA264-118.....AS-118/CPN-6
 ZA264-165.....AS-145(*)/SPT-4
 ZA264-149.....AS-149/TRT-1
 ZA264-263.....AS-263/UPJ
 ZA264-45.....AS-45(*)/APR-6
 ZA264-82.....AS-82(*)/APQ-7
 ZA264-82A.....AS-82(*)/APQ-7
 ZA295.....AS-352/UR(*)
 ZA298.....AS-353/FR(*)
 Z28877-44.....OP-2076
 N5980-090-2627.....66AAX
 N5980-249-4378.....66127
 N5980-254-7183.....66040
 F5980-284-8271.....QA-878(*)/URN-3
 F5980-267-8948.....AS-207/CRT-3
 3821-149-0883.....AS-207/CRT-3
 F5980-369-5555.....AS-301(*)/SPN
 F5980-090-2634.....AS-430(*)/SPS-6B
 F5980-090-2660.....AS-651/SPS-3B
 N5980-246-4503.....66AGU(*)
 F5980-284-7103.....AT-262/MPN-3(*)
 F5980-285-0511.....AS-592/TPM(*)
 F5980-295-9552.....66AMQ(*)
 F5980-296-1286.....AS-430(*)/SPS-6B
 N5980-296-1296.....66AKO
 F5980-296-3825.....AS-508/SPS-4
 F5980-369-3481.....66APL
 F5980-369-5590.....66AET-(*)
 F5980-367-8832.....66AGG
 F5980-644-3066.....AS-651/SPS-3B
 F5980-699-3603.....66ACB
 5841-524-4553.....AT-48/UP
 F5977-369-3543.....66AHP
 N5984-369-3436.....66AAN
 F5985-038-2457.....66AKX
 N5985-049-8327.....*OR200789 CHANGE E
 N5985-090-2624.....AS-377/UM(*)
 N5985-093-2734.....66091
 F5985-090-2643.....66AHP
 F5985-090-2648.....66118
 N5985-156-6642.....AT-50/UR
 F5985-217-1601.....AS-305(*)/BR
 5985-223-4646.....AS-353/FR(*)
 5985-240-0437.....AS-599(*)/SPN-11(*)
 F5985-243-8418.....66093
 F5985-246-4494.....66APU-(*)
 F5985-246-4496.....66AJZ
 F5985-246-4501.....66AFK-(*)
 F5985-246-4506.....66AEP-(*)
 F5985-246-4507.....66AEP-(*)
 F5985-246-4511.....66AEX
 F5985-246-4512.....66AGN
 F5985-246-4513.....66AGO
 F5985-246-4514.....66AGO
 F5985-246-4516.....66AFT-(*)
 F5985-246-4517.....66AFT-(*)
 F5985-246-4518.....66AEP-(*)
 F5985-248-4574.....66AAP
 N5985-249-4315.....66AJR
 F5985-249-4317.....66042
 F5985-249-4318.....66049
 N5985-249-4324.....66158
 N5985-249-4329.....66AAR-(*)
 F5985-249-4330.....66ABS
 N5985-249-4339.....66086
 N5985-249-4342.....66028
 N5985-249-4344.....66081-(*)
 N5985-249-4345.....66081-(*)
 F5985-249-4347.....66068
 F5985-249-4348.....66069
 N5985-249-4351.....66070
 N5985-249-4352.....66071
 N5985-249-4353.....66072
 N5985-249-4354.....66073
 N5985-249-4355.....65074
 N5985-249-4356.....66075
 N5985-249-4357.....66076
 N5985-249-4358.....66077
 N5985-249-4361.....66087
 N5985-249-4362.....66120
 N5985-249-4363.....66119
 N5985-249-4364.....66044(*)
 N5985-249-4365.....66044(*)
 N5985-249-4366.....66080
 N5985-249-4369.....66033
 N5985-249-4376.....66043
 N5985-249-4379.....66AGH
 F5985-249-4381.....66025-A
 N5985-249-4382.....66025
 N5985-249-4388.....66121
 N5985-249-4389.....66122
 F5985-249-4390.....66AAK
 F5985-249-4391.....66AAJ
 N5985-249-4395.....AT-193(*)/U
 N5985-254-7125.....66145-A
 N5985-254-7128.....AS-567/SPR-1
 F5985-254-7130.....66AHK
 N5985-254-7136.....69006-A
 N5985-254-7140.....69074
 N5985-254-7141.....69089
 F5985-254-7154.....66095
 N5985-254-7155.....66AJX
 F5985-254-7161.....66ABH
 N5985-254-7162.....66147
 N5985-254-7172.....66015
 N5985-254-7184.....AT-252/SR
 N5985-254-7185.....AM/GRA-3
 F5985-257-3204.....66AMB
 F5985-257-3206.....66ABL
 F5985-257-3207.....66ALO
 N5985-257-3209.....66132-(*)
 F5985-257-3211.....AS-45(*)/APR-6
 F5985-280-3492.....AS-599(*)/SPN-11(*)
 F5985-284-5973.....*DL129L504GP1
 F5985-284-5974.....AS-429(*)/SPS-6A
 F5985-284-6491.....AS-444/SPN-5
 F5985-284-8810.....66036
 N5985-284-9069.....66ABA
 N5985-285-0795.....AS-514/URD-4(*)
 F5985-295-9171.....*A12005
 N5985-295-9797.....*A-3A6-W7-REV 9
 F5985-296-1042.....66AHP
 F5985-296-2244.....AS-430(*)/SPS-6B
 N5985-296-2395.....AT-265/MPN-3(*)
 F5985-296-2801.....AS-402(*)/SPS-6+
 F5985-296-5377.....AS-522(*)/BPK
 F5985-317-2518.....AS-305(*)/GR
 N5985-318-7007.....66AFJ
 N5985-324-2065.....66132-(*)
 F5985-328-7962.....AS-615/SPS-10
 N5985-331-0101.....66ADJ
 N5985-333-2534.....AS-315(*)/SPS
 F5985-347-9039.....66ALC
 F5985-349-4902.....66ACD
 F5985-349-4905.....66AET-(*)
 F5985-349-4906.....66AJE
 F5985-349-4909.....66ACE
 F5985-349-4973.....66AEU-(*)
 N5985-349-5340.....66047
 F5985-351-2380.....*519E467G1
 F5985-363-3478.....AS-484(*)/SPS-8
 F5985-369-3327.....66ASX
 F5985-369-3329.....66AHL
 N5985-369-3346.....AT-274/BRR
 N5985-369-3356.....69001
 N5985-369-3359.....69022
 N5985-369-3366.....67AAA
 F5985-369-3380.....66AG2-(*)
 F5985-369-3381.....66AG2-(*)
 N5985-369-3382.....66AJW
 F5985-369-3388.....66037
 N5985-369-3390.....AS-37/SPT-4
 N5985-369-3391.....66AHM
 N5985-369-3393.....AS-236(*)/SPT
 N5985-369-3395.....66AJY
 F5985-369-3400.....AT-151/UPJ

STOCK NUMBER INDEX (continued)

F5985-369-5404.....	66AMS	F5985-470-7395.....	66ADD
F5985-369-5405.....	66AKP	N5985-470-7394.....	66143
F5985-369-5423.....	66ALC	N5985-470-7395.....	66089
F5985-369-5424.....	66AAY	N5985-470-7396.....	66AKG
F5985-369-5426.....	66AJM	F5985-470-7407.....	66AJ-1*
F5985-369-5431.....	66AHE	F5985-470-7414.....	66AFC
F5985-369-5432.....	66ABE	F5985-470-7415.....	66AFN
F5985-369-5434.....	66ABB	F5985-470-7416.....	66ABJ-1*
N5985-369-5442.....	AS-468(1)/B	F5985-470-7418.....	66ADH
N5985-369-5443.....	66AMH	F5985-470-7419.....	66AJV-1*
N5985-369-5460.....	66134(1)	F5985-470-7420.....	66AJP
F5985-369-5465.....	AT-268/MPN-5+1	F5985-470-7428.....	66AGS
F5985-369-5470.....	AS-803/SPS-12	F5985-470-7421.....	66ALZ
F5985-369-5476.....	AS-484(1)/SPS-8	F5985-470-7422.....	66AMP
F5985-369-5478.....	66AAQ	F5985-470-7423.....	66AKX-1*
F5985-369-5479.....	66ACE	F5985-470-7424.....	66AKX-1*
F5985-369-5480.....	66AFM	F5985-470-7426.....	66AMR
F5985-369-5483.....	66ABO	F5985-470-7427.....	66AGF
F5985-369-5490.....	66AJV-1*	N5985-470-7432.....	66016
N5985-369-5493.....	66AJC	N5985-470-7435.....	66AHY
N5985-369-5494.....	66ARY	F5985-470-7452.....	69083(1)
F5985-369-5496.....	66AKX-1*	N5985-470-7453.....	66137
F5985-369-5498.....	66AHU	F5985-470-7454.....	66AFR
F5985-369-5501.....	66AKK	N5985-470-7456.....	66AFF
N5985-369-5503.....	66AJJ	F5985-470-7457.....	66AKB
N5985-369-5520.....	66AAS	F5985-470-7458.....	66ABQ
N5985-369-5525.....	AS-372/BRC	F5985-470-7459.....	66AEW
N5985-369-5533.....	66046	F5985-470-7460.....	66AEU-1*
F5985-369-5551.....	AS-393(1)/BLR	N5985-470-7471.....	66AHG
F5985-369-5556.....	AS-118/CPN-6	F5985-901-4829.....	AS-511(1)/SPS-5
F5985-369-5568.....	66AHA	N5985-903-3085.....	66AJJ
F5985-369-5578.....	66AMQ-1*	N5985-907-9557.....	66131
F5985-369-5580.....	66AGX	F5985-908-0098.....	AS-522(1)/BPX
F5985-369-5581.....	66ALB	F5985-910-0093.....	66AJF
F5985-369-5589.....	66ACC	F5985-910-1736.....	OA-878(1)/URN-3
N5985-369-5628.....	66AHJ	F5985-919-9086.....	AS-390(1)/SRC
N5985-369-5634.....	66AMH	F5985-938-2836.....	66ABJ-1*
F5985-369-5645.....	AT-263/MPN-5+1	F5985-938-7089.....	AT-610/MPN-5+1
N5985-408-8612.....	66AMA	F5985-943-1218.....	AS-393(1)/BLR
N5985-408-8614.....	66AKH	F5985-949-0367.....	AS-677/URN-3
N5985-408-8621.....	69046	F5985-949-0369.....	AS-678/URN-3
N5985-408-8657.....	66AMH	F5985-969-9705.....	OA-878(1)/URN-3
F5985-408-8666.....	66AKZ	F5985-603-4342.....	AT-629/SRC
F5985-408-8684.....	66026	F5985-613-9296.....	AT-774(1)/UR
N5985-408-8686.....	66134(1)	F5985-636-2384.....	66ABD
F5985-408-8696.....	66AGY-1*	F5985-636-3077.....	AS-762/MPN-5
F5985-408-8697.....	66AGY-1*	F5985-636-3078.....	AS-763/MPN-5
N5985-408-8708.....	66ACF	F5985-636-3443.....	66AAZ
F5985-408-8720.....	66AMQ-1*	N5985-636-4718.....	AT-517/U
F5985-408-8721.....	66AMQ-1*	F5985-642-7121.....	66AHS
N5985-408-8722.....	66136	N5985-642-8405.....	66054
F5985-408-8723.....	66112	F5985-644-3306.....	66ALA
F5985-408-8725.....	66114	N5985-645-0432.....	66077
F5985-408-8726.....	69083(1)	F5985-645-0436.....	69083(1)
F5985-408-8728.....	66143	N5985-645-0437.....	66053
F5985-408-8733.....	66144	N5985-645-0440.....	66135
F5985-408-8734.....	66142	F5985-645-0533.....	66AP
F5985-408-8735.....	66ALH	F5985-645-2654.....	AS-335/B-1
F5985-408-8737.....	66AMJ	F5985-645-2657.....	AS-322(1)/BPX
N5985-409-0951.....	66ACH	F5985-645-2658.....	AS-677/URN-3
N5985-470-7317.....	66ALV	F5985-645-2661.....	AS-678/URN-3
N5985-470-7328.....	66ALK	F5985-645-3448.....	AT-150(1)/SRC
F5985-470-7329.....	66097	F5985-645-6523.....	AS-371(1)/S
F5985-470-7373.....	66AKE	F5985-672-5965.....	AS-371(1)/S
F5985-470-7377.....	66AKD	N4625-232-3433.....	AT-163/U
F5985-470-7379.....	66ABR	N4625-294-3107.....	66082

FREQUENCY INDEX

(Magnetolux)

VLF

0.014-0.01.....AN/SRA-17(X6-1)
 0.0146-0.038.....AT-274/SRR
 0.0146-0.038.....AT-317/SRR
 0.015-0.0775.....66097

VF

0.014-0.6.....AN/SRA-17(X6-1)
 0.0146-0.038.....AT-274/SRR
 0.0146-0.038.....AT-317/SRR
 0.015-0.0775.....66097
 0.08-3.9.....69079

VF (continued)

0.1-1.5.....69006-A
 0.1-1.5.....69046
 0.2-1.5.....69001
 0.2-2.....66082
 0.225-0.59.....AT-422(1)/URD-1X+1
 0.24-2.....69074
 0.24-2.....69092
 0.25-1.5.....66093
 0.25-1.5.....69089
 0.25-30.....AS-714/SRD-7
 0.25-30.....66144
 0.275-3.9.....AS-977/SRD-13

FREQUENCY INDEX (continued)

VF (continued)

0.275-3.5.....AT-627/SRD-12
0.275-3.5.....AT-628/SRD-12
0.275-3.5.....AT-883/SRD-13
0.28-0.52.....DF-2076
0.29-0.55.....69085

MF

.....AS-1014/B
0.014-0.6.....AM/SRA-17(XG-1)
0.08-3.5.....69079
0.1-1.5.....69006-A
0.1-1.5.....69046
0.2-0.8.....MK-89/URN-5
0.2-1.5.....69001
0.2-2.....64082
0.225-0.55.....AT-422(1)/URD-1X+(1)
0.24-2.....69074
0.24-2.....69092
0.25-1.5.....66093
0.25-1.5.....69089
0.25-30.....AS-714/SRD-7
0.25-30.....66164
0.275-3.5.....AS-977/SRD-13
0.275-3.5.....AT-627/SRD-12
0.275-3.5.....AT-628/SRD-12
0.275-3.5.....AT-883/SRD-13
0.28-0.52.....DF-2076
0.29-0.55.....69085
0.3-30.....66047
0.5.....AS-376(1)/SRT
0.5.....MX-766(1)/SR
0.5-0.8364.....AS-207/CRT-3
0.5-30.....66046
1.5-12.....66040
1.5-12.....66118
1.5-18.2.....69077
1.5-30.....66086
1.5-30.....69083(*)
1.55-2.5.....AS-377/U+(1)
1.6-18.2.....66054
1.7-2.....66145-A
1.7-2.75.....AM-44-A
1.7-14.4.....AS-353/FR+(1)
2-3.5.....AT-609(1)/SRC-8+(1)
2-9.05.....66028
2-15.....69AAA
2-26.....AT-343(1)/URC
2-30.....AT-350/BRC
2-30.....AT-497/U
2-30.....AT-774(1)/UR
2-30.....AT-818/BRC
2-400.....AS-949/BPX
2.3-4.5.....66081-(*)
2.436.....66048
2.772.....66069

HF

.....AS-1014/B
0.08-3.5.....69079
0.25-30.....AS-714/SRD-7
0.25-30.....66164
0.275-3.5.....AS-977/SRD-13
0.275-3.5.....AT-627/SRD-12
0.275-3.5.....AT-628/SRD-12
0.275-3.5.....AT-883/SRD-13
0.3-30.....66047
0.5-30.....66046
1.5-12.....66040
1.5-12.....66118
1.5-18.2.....69077
1.5-30.....66086
1.5-30.....69083(*)
1.6-18.2.....66054
1.7-14.4.....AS-353/FR+(1)
2-3.5.....AT-609(1)/SRC-8+(1)
2-9.05.....66028
2-15.....69AAA
2-26.....AT-343(1)/URC
2-30.....AT-350/BRC
2-30.....AT-497/U
2-30.....AT-774(1)/UR
2-30.....AT-818/BRC
2-400.....AS-949/BPX

HF (continued)

2.3-4.5.....66081-(*)
3.035.....66070
3.155.....66071
3.385.....66072
3.725.....66073
3.865.....66074
3.995.....66075
4-27.....AM/SRA-10(XG-1)
4.105.....66076
4.435.....66077
9.35.....66053
14-30.....AT-639(1)/URN-2
15-600.....AT-924/SR
20-39.....66139
20-90.....AM/SRA-17(XG-1)
20-90.....AM/SRA-3
20-90.....AT-252/SR
20-90.....AT-477/U
28-40.....AS-240/TRR-2
28-80.....66087
29.5-32.....AS-149/TRT-1

VHF

.....66AGJ
.....66AGW
2-400.....AS-949/BPX
15-600.....AT-924/SR
20-39.....66135
20-50.....AM/SRA-17(XG-1)
20-50.....AM/SRA-3
20-90.....AT-252/SR
20-90.....AT-477/U
28-40.....AS-240/TRR-2
28-68.....66025
28-80.....66025-A
28-87.....66087
29.5-32.....AS-149/TRT-1
30-40.....66120
30-42.....MM-4
30-42.....66033
30-42.....66044(*)
30-42.....66080
30-42.....66119
30-1000.....AT-363(*)/BL
30-1000.....AT-693/BLR
40-48.....AT-236(1)/GRD
40.1.....66049
54-89.....66050
60-80.....66015
60-90.....66016
60-90.....66143
70-90.....66042
70-90.....66049
70-600.....66132-(*)
70-1000.....66AAX
72.5.....66089
75-195.....66ALQ
75-300.....AS-56/SPR-1
80-170.....AT-193(*)/U
85-175.....66AJM
88-400.....AS-371/U
90-150.....AS-49/TPY-1
90-175.....66AKJ
90-900.....66111
90-900.....66112
90-900.....66115
90-850.....62ABJ
90-1200.....66136
90-1200.....66139
90-1200.....66141
90-1400.....66120
100-150.....MARK & CONNER
100-150.....66148(*)
100-156.....AS-410(*)/URD-2
100-160.....66128
100-160.....66158
100-1000.....66A60-1
100-1200.....66ALY
100-1900.....69003
110-156.....AS-524/BPX+(1)
110-156.....AS-525/BPX+(1)
110-156.....AS-539/B+(1)
110-156.....66134(*)
110-165.....66AMH

FREQUENCY INDEX (continued)

VHF (continued)

111-117.....66AAR-(*)
 119-196.....AS-5011/UR
 119-196.....66091
 120-190.....AN/URC-4
 132-196.....66026
 132-196.....66157
 135.....66ABX
 135.....66095
 140-210.....AS-90/TPT-1
 149-310.....66ALR
 146-275.....66AKL
 157-187.....66ACF
 157-187.....66ACG
 157-187.....66AFJ
 157-187.....66AFU-(*)
 157-187.....66AKD
 157-187.....66AKE
 157-187.....66ANJ
 158-175.....66ALC
 162-25-173.5.....AT-894/URM-117
 170-180.....AT-50/U
 170-180.....66ABS
 171-182.5.....66AJK
 171-182.5.....66AJL
 175-185.....66AAY
 175-185.....66ABC
 175-185.....66ACB
 175-205.....66ANF
 175-225.....66AAJ
 175-225.....66AAK
 175-225.....66ABO
 175-225.....66AMG
 175-225.....66/HK
 175-225.....66AHL
 175-350.....66AJM
 175-350.....*F3903
 175-350.....AS-263/UPY
 175-770.....66AGZ-(*)
 177-187.....66ABN
 177-187.....66ABR
 185-195.....66AAZ
 185-195.....66ABD
 185-195.....66ACC
 195-205.....66ABA
 195-205.....66ABE
 195-205.....66ACD
 195-205.....66AET-(*)
 195-205.....66AGX
 195-205.....66AJE
 195-205.....66ALB
 200-250.....66036
 200-1000.....*M4101
 209-215.....66AJZ
 212.4-222.4.....66APR
 215-225.....AS-1068/SPA-52
 215-225.....AS-932/SPS-17A
 215-225.....66ABB
 215-225.....66ABF
 215-225.....66ACE
 215-225.....66AEU-(*)
 215-225.....66AEM
 215-225.....66AME
 215-225.....66AJF
 215-225.....66ALA
 215-230.....AT-373/UKR
 215-235.....AT-165(*)/UKR
 220-400.....AS-390(*)/SRC
 220-400.....AS-668/SR
 220-570.....AT-150(*)/SRC
 225-260.....AS-979/UKF
 225-390.....AS-372/BRC
 225-390.....AS-468(1)/3
 225-390.....AS-493/U
 225-390.....AS-523/BPX+(1)
 225-390.....AS-525/BPX+(1)
 225-390.....AS-725/S+(1)
 225-399.9.....AS-514/URD-4+(1)
 225-400.....AS-1018(1)/URC
 225-400.....AS-505(*)/GR
 225-400.....AS-614/SRD-9
 225-400.....AS-658/BRD-3
 225-400.....AS-933/SR
 225-400.....AS-997/SRC
 225-400.....AT-458/SR
 225-400.....AT-629/SRC

VHF (continued)

225-400.....66147
 225-1000.....AS-97/SPR-1
 230-263.....AN/URC-11
 240-260.....AN/URC-4
 241-251.....66037
 241-251.....66088
 250-1500.....69084
 264-372.....66ALM
 265-590.....66AKM
 265-590.....66ALS
 270-3000.....AS-124/APR
 275-325.....*M6302
 275-500.....66AJX
 300.....MARK 19

UHF

.....AS-1014/B
 ?-400.....AS-949/BPX
 15-600.....AT-924/SR
 30-1000.....AT-365(*)/BL
 30-1000.....AT-693/BLR
 70-400.....66132-(*)
 70-1000.....66AAK
 85-400.....AB-371/U
 90-950.....62ABJ
 90-1200.....66136
 90-1200.....66139
 90-1200.....66141
 90-1400.....*M6120
 100-1000.....66AG0-1
 100-1200.....66ALV
 100-1400.....69003
 145-310.....66ALR
 175-350.....66AJM
 175-350.....*F3903
 175-350.....AS-263/UPY
 175-770.....66AGZ-(*)
 200-1000.....*M4101
 220-400.....AS-370(*)/SRC
 220-400.....AS-668/SR
 220-570.....AT-150(*)/SRC
 225-390.....AS-372/BRC
 225-390.....AS-468(1)/B
 225-390.....AS-493/U
 225-390.....AS-523/BPX+(1)
 225-390.....AS-525/BPX+(1)
 225-390.....AS-725/S+(1)
 225-399.9.....AS-514/URD-4+(1)
 225-400.....AS-1018(1)/URC
 225-400.....AS-505(*)/SR
 225-400.....AS-614/SRD-9
 225-400.....AS-658/BRD-3
 225-400.....AS-933/SR
 225-400.....AS-997/SRC
 225-400.....AT-458/SR
 225-400.....AT-529/SRC
 225-400.....66147
 225-1000.....AS-37/SR-1
 250-1500.....69084
 264-372.....66ALM
 265-590.....66AKM
 265-590.....66ALS
 270-3000.....AS-124/APR
 275-325.....*M6302
 275-500.....66AJX
 300.....MARK 19
 300-310.....66121
 300-310.....66122
 300-1000.....66120
 300-1000.....66110
 300-1000.....66116
 300-3300.....66131
 300-4000.....AT-522/URM-42
 340-400.....AS-37/SPT-4
 343-700.....66AJA
 340-615.....66AMH
 350-1500.....AS-236(*)/SPT
 390-410.....AS-387/FMQ-2
 390-410.....AT-775/SMO-1
 390-465.....66AAN
 400-500.....AT-949/U
 445-820.....66ALT
 450-720.....AS-71/SPT-2
 465-510.....AS-493/U

FREQUENCY INDEX (continued)

UHF (continued)

500-520.....AT-51/U
 500-700.....66AAA
 500-800.....66AJJ
 505-535.....66AJK
 505-575.....66AJL
 510-725.....66AGH
 510-725.....66AHW
 550-660.....66AKB
 600.....66ACH
 615-800.....66AHP
 625-1250.....AS-145(1)/SPT-6
 645-800.....66AJB
 680-720.....FC
 680-720.....MAR 2
 680-720.....66AAH
 680-720.....66ABL
 680-720.....66AKC
 790-1420.....*M2909
 800-3800.....66AMB
 810-1385.....66ALU
 850-1250.....66AJR
 870-3000.....*M2414
 920-970.....66AFF
 950-1150.....AS-429(1)/SPS-6A
 950-1200.....AS-949/BPX
 950-1350.....AS-402(1)/SPS-6
 950-1350.....AS-430(1)/SPS-6B
 960-1050.....AS-522(1)/BPX
 960-1050.....AS-523/BPX(1)
 960-1050.....AS-524/BPX(1)
 960-1050.....AS-525/BPX(1)
 960-1087.....AS-1075/SRN-6
 960-1250.....AT-592/URN-3
 961.5-1087.5.....AS-777/URN-3
 961.5-1087.5.....CA-278(1)/URN-3
 962-1024.....AS-889/SRN-6
 962-1024.....AS-891/URN
 962-1087.....AS-677/URN-3
 962-1087.....CA-553/URN-3
 965-1060.....AS-1014/B
 970-1150.....AS-1065/UPX(1)
 1000-1120.....AT-388/SPS-12
 1000-3000.....66AMA
 1000-3000.....66113
 1000-3000.....66114
 1000-3000.....66117
 1000-4000.....AS-371(1)/S
 1000-5000.....*M4503
 1000-5000.....66137
 1000-5000.....66140
 1000-5000.....66142
 1001.5-1038.5.....AS-615/SPS-10
 1001.5-1038.5.....AS-936/SPS-10B
 1010-1110.....AN/UPA-22(1)
 1010-1110.....AN/UPA-23(1)
 1010-1110.....AS-904(1)/UPX
 1010-1110.....AS-905/UPX
 1081.5-1118.5.....AS-615/SPS-10
 1081.5-1118.5.....AS-936/SPS-10B
 1088-1219.....AS-678/URN-3
 1088-1219.....CA-554/URN-3
 1151-1219.....AS-890/SRN-6
 1151-1219.....AS-892/URN
 1220-1380.....66ALD
 1244-1350.....66ALN
 1244-1350.....66AMV(1)
 1250-1350.....AN/SPS-16(XN-1)
 1250-1350.....AS-429(1)/SPS-6A
 1250-1350.....AS-603/SPS-12
 1250-1350.....AT-437(1)/SPS-12
 1375-2440.....*M2912
 1375-2440.....*M2915
 1500.....AN/SPN-2
 1590-5200.....AS-23/AP
 1600-1700.....AT-557/SMD-1A
 1650-5200.....AT-163/U
 1660-1700.....AS-476/SMD
 1660-1700.....AS-750/SMD-1A
 1800-3600.....AS-193(1)/BLR
 2100-4000.....*M9001
 2500-3500.....66ALE
 2700-2900.....66AEZ(1)
 2700-2900.....66AFQ(1)
 2700-2900.....66AMA

UHF (continued)

2700-2900.....66ALH
 2700-2900.....66ANJ
 2700-3300.....66AKG
 2700-3300.....66ALK
 2740-2900.....AS-764/MPN-5
 2740-2900.....AS-765/MPN-5
 2740-2900.....AT-265/MPN-5(1)
 2740-2900.....AT-268/MPN-5(1)
 2740-2900.....AT-411/MPN-5(1)
 2800.....66AHP
 2800.....66AHQ(1)
 2860.....66AKH
 2880.....AS-492/U
 2900-3100.....66ABO
 2900-3100.....66AFM
 2900-3100.....66AGD
 2900-3100.....66AGH
 2900-3100.....66AGO
 2900-3100.....66AGU(1)
 2915-2967.....66AEP(1)
 2965-3019.....66AAP
 2965-3019.....66AFT(1)
 3000.....66AFQ
 3000.....66AFC
 3000.....66AFL
 3000.....66AFN
 3000.....66AGE
 3000.....66AGK
 3000.....66AGP
 3000.....66AGC

SMF

.....66AGT
66AJJ
66AJL
 300-3300.....66131
 600-3800.....66AMB
 1000-4000.....AS-371(1)/S
 1000-5000.....*M4503
 1000-5000.....66137
 1000-5000.....66140
 1000-5000.....66142
 1550-5200.....AS-23/AP
 1650-5200.....AT-163/L
 1800-3600.....AS-373(1)/BLR
 2100-4000.....*M9001
 2500-3500.....66ALE
 2700-3100.....66AGD
 2700-3300.....66AKG
 2700-3300.....66ALK
 2900-3100.....66ABO
 2900-3100.....66AFM
 2900-3100.....66AGN
 2900-3100.....66AGO
 2900-3100.....66AGU(1)
 2965-3019.....66AAP
 2965-3019.....66AFT(1)
 3000.....66AAQ
 3000.....66ADK
 3000.....66AEX
 3000.....66AFC
 3000.....66AFD
 3000.....66AFL
 3000.....66AFN
 3000.....66AGE
 3000.....66AGK
 3000.....66AGP
 3000.....66AGG
 3000-3100.....66ABJ(1)
 3000-3100.....66AHY
 3000-3100.....66AMZ
 3000-3100.....66AKZ
 3000-6000.....AS-45(1)/APR-6
 3010-3100.....AS-404/SPN-4
 3019-3100.....66AMS
 3025-3125.....MARK 111
 3030-3110.....AS-601/SPN-13
 3047-3071.....66AAS
 3671-3100.....66ADH
 3256-3333.....AS-221/CPN-17
 3400-3600.....AS-484(1)/SPS-8
 3400-3700.....AS-594(1)/BPS-4
 3400-3700.....66AJV(1)

FREQUENCY INDEX (continued)

NHF (continued)

3400-3700.....66AKP
 3400-3700.....55SALH
 3430-3570.....AS-5231(*)/SPS
 3450-3550.....26ANJ
 3500.....66AJP
 3800-5000.....AT-151/UPT
 3813.....66127
 4500-5900.....AS-1011/SPG-95
 5000-11000.....AT-48/UP
 5000-12000.....9M6700
 5200-11000.....AT-521/URM-42
 5400-5900.....AS-1012/SPG-95
 5400-5900.....AS-782/SPG-99
 5400-5900.....AT-636/SPG-49
 5450-5825.....AS-1002/SPS-3C
 5450-5825.....AS-505/SPS-4
 5450-5825.....AS-615/SPS-10
 5450-5825.....AS-695/SPS
 5450-5825.....AS-936/SPS-10B
 5500-5600.....AN/SPS-35
 5500-5600.....AS-710/SPS-21
 6275-6575.....66AMO-(*)
 6275-6575.....AS-511(*)/SPS-5
 6275-6575.....AS-691/SPS-5B
 6275-6575.....66ALZ
 6275-6575.....66AMP
 6275-6575.....AS-695/SPS
 7250-10750.....AS-501(*)/SPN
 8500-9000.....66AKU
 8500-9600.....MARK 25, MOD 5A
 8500-9600.....AS-915(*)/SPG
 8500-9600.....AT-124(*)/SPG
 8500-9600.....MARK 21, MOD 1, UNIT 1A
 8500-9600.....MARK 23, MOD 0, UNIT 1G
 8740-8890.....AS-996/BPS-9A
 8740-8890.....66AHU
 8740-8890.....66AKW
 8740-8890.....66AKX-(*)

NHF (continued)

8740-8890.....66AND
 8900-9400.....AS-300/BPN
 8900-9400.....AS-502/TPN-11
 9000.....66ADI
 9000.....66ADJ
 9000-9120.....AS-762/MPN-5
 9000-9130.....AT-262/MPN-5+11
 9000-9130.....AT-400/MPN-5
 9000-9160.....66AGF
 9000-9160.....66AGS
 9000-9160.....66AGY-(*)
 9000-9160.....66APK
 9000-9160.....66AMR
 9000-9180.....AS-763/MPN-5
 9000-9180.....AT-263/MPN-5+11
 9000-9180.....AT-410/MPN-5+11
 9200-9400.....MARK 22, MOD 0, UNIT 1D
 9280-9320.....AT-946(*)/SPX-9
 9280-9470.....AS-821(*)/APQ-7
 9300-9500.....AS-744/SPS-23
 9300-9500.....AS-745/SPS-23X
 9300-9500.....AS-746/SPS-23Y
 9300-9500.....AS-747/SPS-23Z
 9300-9500.....AS-748/SPS-23XX
 9310.....66ALZ
 9320-9430.....AS-118/CPN-6
 9320-9430.....AS-444/SPN-5
 9320-9430.....AS-599(*)/SPN-11+11
 9320-9430.....AS-659/SPN-18
 9320-9430.....AS-826/SPK-22
 9335-9405.....AS-923/SPS-35
 9335-9415.....AS-601/SPN-13
 9345-9405.....AS-1066/SPS-46
 9345-9405.....AS-1067/SPS-46X
 9345-10005.....AS-1004/SPS-41

.....