

6. VAU. 7. DI. O, O / 932 C

150.T.D.

969B-01

MT/DIAMOND 2101

L2-05

GER  
24 JUNI 1956  
HKGS-STAF ADJ.-GEN

# PARTS LIST

4 TON 6x6

## DIAMOND T MOTOR CAR CO.



MODELS  
969B, 975 & 975A

CANADIAN  
CONTRACT NO.  
CAN. 201

FORM 975-2

# PARTS LIST

4 TON 6x6  
DIAMOND T MOTOR CAR CO.



MODELS  
969B, 975 & 975A

CANADIAN  
CONTRACT NO.  
CAN. 201

DT 102

PARTS LIST

DIAMOND T MOTOR CAR CO.

*ISSUED BY*

Diamond T Motor Car Company, Service Department  
4517 WEST 26TH STREET, CHICAGO, ILL.

# FOREWORD

In the preparation of this Parts List, a system of grouping has been used, the arrangement of which may be found on the following page. Group numbers are composed of four figures, the first two of which index the main group, while the two following figures indicate those sub-groups of parts which comprise the main groups. For example, the Engine Group is **01**; the Electrical Group **06**; the Front Axle Group **10**, etc. Subdivisions such as Connecting Rods and Bearings are 0104; Light Switches and Cables, 0606; Steering Knuckle, Flange and Arm, 1006, etc.

Part numbers are separately listed in numerical order and indexed to the groups in which they may be found, while an alphabetical index to the parts keying them to their group is also provided at the end of this book.

In the body of the list it has been our effort to make the descriptions complete and to use illustrations which are accurate and of practical value.

---

**DIAMOND T MOTOR CAR COMPANY**

*Factories and Main Parts Warehouses:*

**CHICAGO, ILLINOIS, U. S. A.**

# ARRANGEMENT OF PARTS GROUPS

## 01 Engine Group

- 0100 Engine Assembly
- 0101 Cylinder Block and Head
- 0102 Crankshaft, Bearings and Caps
- 0103 Pistons, Rings and Piston Pins
- 0104 Connecting Rods and Bearings
- 0105 Valves, Springs, Guides, Tappets
- 0106 Camshaft, Timing, Bearings, Etc.
- 0107 Oil Pump, Oil Pan, Gauge
- 0108 Manifold
- 0109 Flywheel, Ring Gear, Etc.
- 0110 Mountings

## 02 Clutch Group

- 0200 Clutch Assembly
- 0201 Clutch Disc
- 0202 Cover, Pressure Plate and Springs
- 0203 Release Lever, Bearing, Forks, Etc.
- 0204 Pedal
- 0205 Pilot Bearing

## 03 Fuel System Group

- 0300 Gasoline Tank
- 0301 Carburetor, Air Cleaner
- 0302 Fuel Pump, Fuel Pump Tube, Hose, Etc.
- 0303 Accelerator, Throttle and Choke
- 0304 Fuel Tank Lines to Gauge
- 0305 Governor

## 04 Exhaust Group

- 0401 Muffler
- 0402 Pipe and Tail Pipe

## 05 Cooling Group

- 0501 Radiator Shell and Core, Filler Grille
- 0502 Thermostat and Thermometer
- 0503 Water Pump, Fan, Belt
- 0504 Radiator Mountings
- 0505 Engine Water Fittings and Hose

## 06 Electrical Group

- 0601 Generator and Regulator
- 0602 Starting Motor
- 0603 Distributor
- 0604 Ignition Coil and Wiring (Spark Plugs, Ignition Lock Clamp)
- 0605 Instruments and Carrier
- 0606 Light Switches and Cables
- 0607 Headlamps, Sealed Beams, Bulbs and Fuses
- 0608 Tail and Auxiliary Lamp
- 0609 Horn
- 0610 Battery, Starting Cables and Connections
- 0612 Radio Suppression Equipment

## 07 Transmission Group

- 0700 Transmission
- 0701 Case
- 0702 Gears
- 0703 Main Drive Pinion and Bearings
- 0704 Main Shaft, Countershaft, and Reverse Idler Countershaft
- 0705 Speedometer Drive Gears
- 0706 Shift Forks, Levers, Gearshift Instruction Plate

## 08 Transfer Case Group

- 0800 Transmission Transfer Assembly
- 0801 Case
- 0802 Drive Gear, Shaft, Bearings
- 0803 Driven Gear, Shaft, Bearings
- 0804 Idler Gear, Shaft, Bearings and Caps
- 0805 Shifter Shafts, Yokes, and Shift Levers
- 0809 Power Take-Off, Transfer Case

## 09 Propeller Shaft and Universal Joint Group

- 0901 Propeller Shaft Assembly, Hanger and Support
- 0902 Universal Joints

## 10 Front Axle Group

- 1000 Front Axle Assembly
- 1001 Housing
- 1002 Differential and Carrier Assembly
- 1003 Drive Gear, Pinion and Bearings

- 1006 Steering Knuckle, Flange and Arm
- 1007 Axle Shaft and Universal Joint

## 11 Rear Axle Group

- 1100 Rear Axle Assembly
- 1101 Housing Assembly
- 1102 Axle Drive Shafts
- 1103 Differential and Carrier Assembly
- 1104 Differential Side Gears and Pinions
- 1105 Drive Gear and Bearings

## 12 Brake Group

- 1201 Hand Brake
- 1202 Shoes and Facing
- 1203 Brake Shoe Support, Guide, Springs, Adjusting Pins, and Anchor Plate
- 1204 Pedal
- 1205 Air Compressor
- 1206 Tubes and Clips, Brackets, Springs
- 1207 Brake Chamber
- 1208 Brake Dust Shield
- 1209 Brake Lines, Pipes, Hoses
- 1212 Cross Shafts and Pull Rods

## 13 Wheel, Hub and Drum Group

- 1301 Wheel Assembly, Bearings, Retainers, Etc.
- 1302 Hubs and Drums

## 14 Steering Group

- 1401 Steering Connecting Rod (Drag Link)
- 1402 Tie Rod
- 1403 Gear Assembly
- 1404 Wheel Assembly
- 1405 Brackets

## 15 Frame and Bracket Group

- 1500 Frame and Brackets
- 1501 Towing Attachment
- 1502 Pintle Hooks
- 1504 Running Board Hangers
- 1505 Spare Wheel Carrier and Tire Lock

## 16 Spring and Shock Absorber Group

- 1601 Front and Rear Springs and Spring Bumpers
- 1602 Shackles and Spring Attaching Parts
- 1603 Shock Absorbers and Mountings

## 17 Hood, Fender, Running Board, Apron (Misc. Sheet Metal) Group

- 1701 Fenders
- 1703 Running Boards
- 1704 Hoods

## 18 Body Group

- 1800 Cab Body Assy. and Parts  
Cargo Body Parts List (Model 968A, 968B)  
Wrecker Body Parts List (Model 969A, 969B)  
Ponton Body Parts List (Model 970A)
- 1801 Windshield Wiper and Parts
- 1802 Floor Mats

## 19 Winch Assy. — Winch and Control Levers

- 1900 Winch and Winch Drive Shafts
- 1910 Control Levers and Rods
- 1911 P.T.O. Assembly for Winch
- 1920 Wrecker Unit

## 21 Bumper and Guard Group

- 2101 Bumpers
- 2103 Radiator Guard

## 22 Miscellaneous Body, Chassis and Accessory Group

- 2200 Identification and Caution Plates
- 2201 Rear View Mirrors
- 2202 Tarpaulins, Bows, and End Curtains
- 2203 Speedometer and Parts

## 23 General Use, Standardized Parts Group

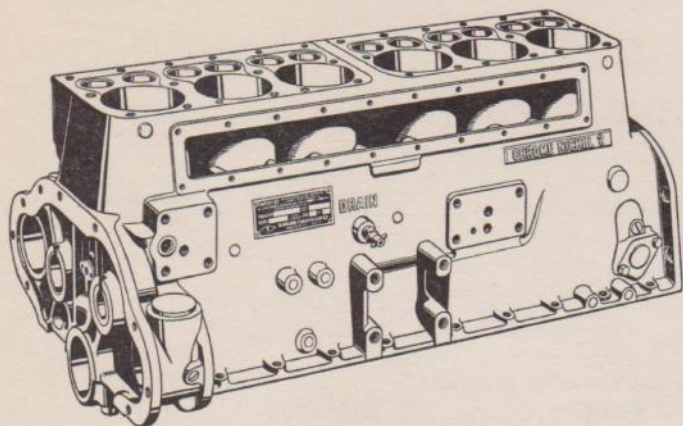
- 2300 Miscellaneous Tools, Tire Chains, Extinguishers
- 2304 Miscellaneous Nuts, Bolts, Screws, and Washers
- 2305 Miscellaneous Cotter Pins, Woodruff Keys

PARTS LIST 4 TON 6 x 6 TRUCKS  
DIAMOND T MOTOR CAR COMPANY

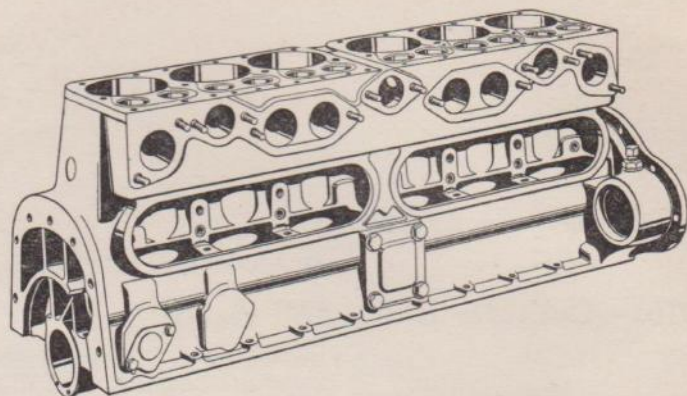
**0100**  
**0102**  
**ENGINE**

**01 — ENGINE**

Code	Mfr. No.	Description	Order by this Number	Quantity Required	
<b>0100—Engine Assembly</b>					
	RXC	Engine assembly (Hercules) . . . . .	DX5820	1	
<b>0101—Cylinder Block and Head</b>					
16356		Cylinder block—includes bearing caps, valve guides, camshaft bearings and idler gear bearing . . . . .	BB11001	1	
16511		Cylinder block exhaust valve seat insert . . . . .	31130J	6	*
8082		Cylinder block drain cock . . . . .	31249F	1	*
2534		Cylinder block expansion plug (1 $\frac{1}{4}$ " ) . . . . .	11247R	2	*
665		Cylinder block expansion plug (5 $\frac{5}{8}$ " ) . . . . .	1246R	5	*
565		Cylinder block pipe plug (3 $\frac{3}{4}$ " ) . . . . .	1224R	4	*
7165		Cylinder block pipe plug (1" ) . . . . .	11224F	1	*
15739		Cylinder block oil orifice . . . . .	31357J	1	*
4251		Cylinder block oil orifice plug . . . . .	BB1378	1	*
15133		Cylinder block oil orifice gasket . . . . .	31355J	1	*
4243		Cylinder block oil orifice screw . . . . .	31358J	2	*
4242		Cylinder block oil orifice screw lockwasher . . . . .	31359J	2	*
2129		Cylinder block pressure regulator dowel . . . . .	BB1269	1	*
4790		Cylinder block generator oil seal . . . . .	51244F	1	*
17105A		Cylinder block fuel pump drive pin . . . . .	BB1173	1	*
61A		Cylinder block fuel pump drive pin hole pipe plug . . . . .	11338F	1	*
4879A		Cylinder block fuel pump opening cover . . . . .	31178J	1	*
22564A		Cylinder block fuel pump opening cover gasket . . . . .	31179F	1	*
1048A		Cylinder block fuel pump opening cover screw . . . . .	Y252	2	*
615A		Cylinder block fuel pump opening cover screw L.W. . . . .	41418R	2	*
17214		Cylinder head — front . . . . .	BB11003	1	
17215		Cylinder head — rear . . . . .	BB11004	1	
16155		Cylinder head gasket . . . . .	BB1005	2	*
1608		Cylinder head cap screw . . . . .	1007R	32	*
1075		Cylinder head pipe plug . . . . .	R24	2	*
17030		Cylinder block gear case cover . . . . .	BB1215	1	*
15024		Cylinder block gear case cover gasket . . . . .	31216F	1	*
352		Cyl. block gear case cover attaching screw (1 $\frac{1}{2}$ " x 1 $\frac{1}{4}$ " ) . . . . .	Y285	5	*
8552		Cyl. block gear case cover attaching screw (1 $\frac{1}{2}$ " x 2 $\frac{3}{4}$ " ) . . . . .	21216F	2	*
4038		Cyl. block gear case cover attaching screw (1 $\frac{1}{2}$ " x 3 $\frac{1}{2}$ " ) . . . . .	21217R	1	*
312		Cylinder block gear case cover lockwasher . . . . .	X18	8	*
14236		Cylinder block gear case cover oil seal (accessory shaft) . . . . .	BB1219	1	*
		Engine gasket set . . . . .	BB11010	1	
<b>0102—Crankshaft, Bearings and Caps</b>					
17527		Crankshaft . . . . .	BB11251	1	
7104		Crankshaft flywheel bolt . . . . .	11266F	4	*
1382		Crankshaft flywheel bolt nut . . . . .	X69	4	*
1710		Crankshaft flywheel bolt cotter . . . . .	Z584	4	*
1707		Crankshaft flywheel dowel . . . . .	1267R	2	*
665		Crankshaft flywheel expansion plug . . . . .	1246R	2	*
15039		Crankshaft gear . . . . .	31251F	1	*
1247		Crankshaft gear key . . . . .	Z215	1	*
		Crankshaft starting crank jaw . . . . .	DT2772A	1	*
1675		Crankshaft starting crank pin . . . . .	1261R	1	*
1739		Crankshaft starting crank pin set screw . . . . .	1262R	1	*
2129		Crankshaft knurled pin . . . . .	BB1269	1	*
14626		Crankshaft oil wick . . . . .	41266F	1	*
14933		Crankshaft oil wick sleeve . . . . .	BB1267	1	*
11137		Crankshaft oil seal . . . . .	11218H	1	*
19053		Crankshaft oil thrower . . . . .	BB1218	1	*

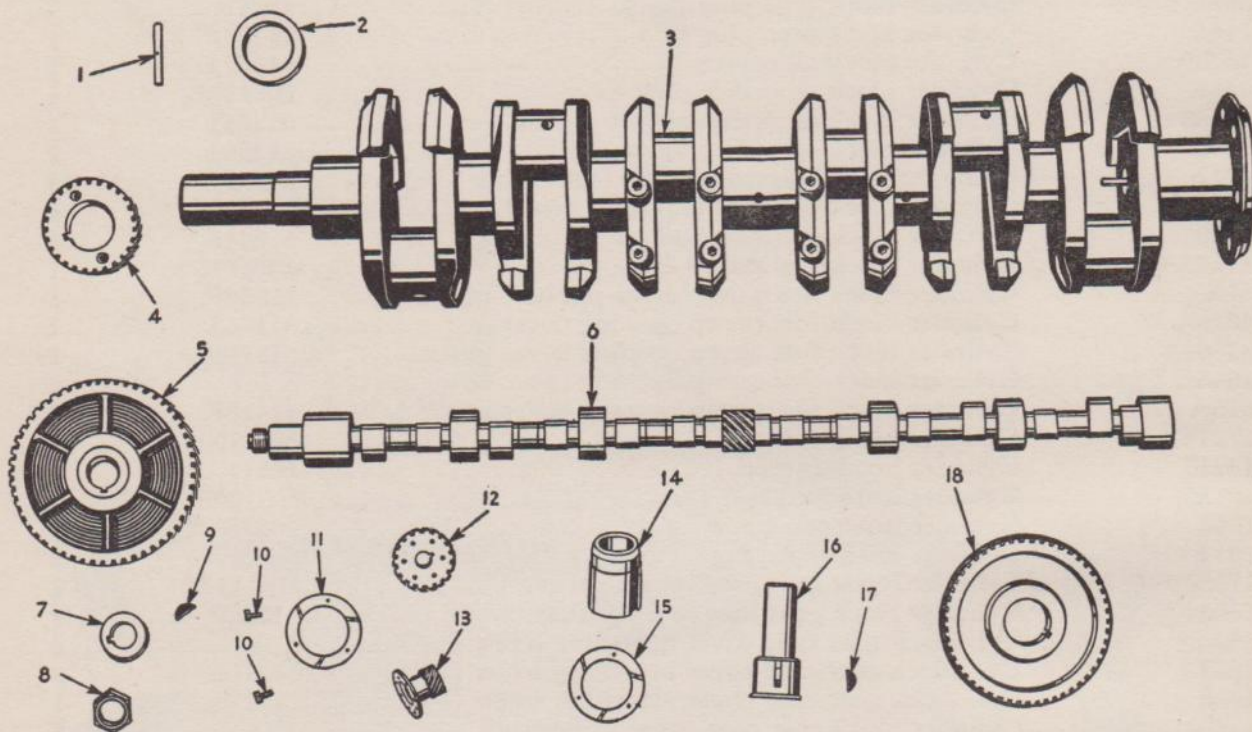


*Cylinder Block — Water Pump Side*



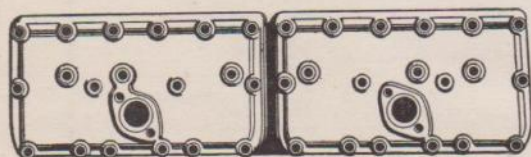
*Cylinder Block — Manifold Side*

*Cylinder block assembly BB11001 covers block casting, with valve guides and inserts, bearing caps but no moving parts.*

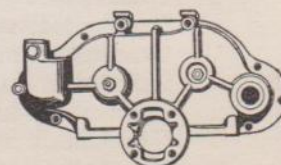


1. Starting crank jaw pin .....	1261R
2. Oil seal (crankshaft) .....	11218H
3. Crankshaft (gear not included) .....	BB11251
4. Crankshaft gear .....	31251F
5. Camshaft gear .....	31271F
6. Camshaft .....	61270J
7. Camshaft washer .....	61324C
8. Camshaft nut .....	1277R
9. Key (No. 15 Woodruff) .....	Z215

10. Governor drive gear screw .....	41323F
11. Camshaft thrust washer .....	31312R
12. Generator drive gear .....	31289J
13. Governor drive and driven gear .....	51324F
14. Idler shaft bearing .....	41184R
15. Idler shaft gear thrust washer .....	31312R
16. Idler shaft .....	BB1287
17. Key (No. 8 Woodruff) .....	Z2A
18. Idler shaft gear .....	31282F



Cylinder head — Front .....BB11003  
Cylinder head — Rear .....BB11004



Gear Case cover .....BB1215

**PARTS LIST 4 TON 6 x 6 TRUCKS  
DIAMOND T MOTOR CAR COMPANY**

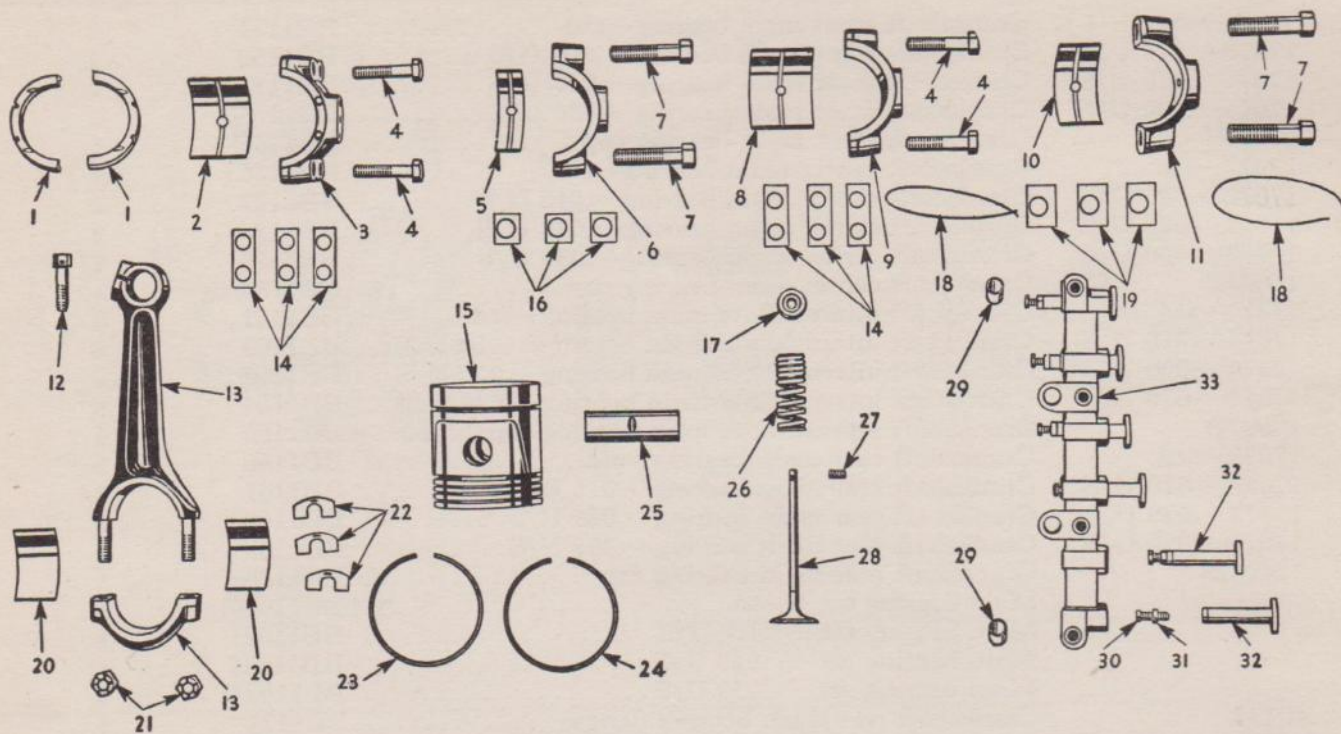
Code	Mfr. No.	Description	Order by this Number	Quantity Required	
17071—std.		Crankshaft front main bearing—std.....	BB1151	2	*
17071—.010 U/S		Crankshaft front main bearing—.010 U/S .....	BB1152	2	*
17071—.020 U/S		Crankshaft front main bearing—.020 U/S.....	BB1153	2	*
17071—.030 U/S		Crankshaft front main bearing—.030 U/S.....	BB1154	2	*
16696B		Crankshaft front main bearing cap.....	BB1155	1	*
17072—std.		Crankshaft center main bearing—std.....	BB1156	2	*
17072—.010 U/S		Crankshaft center main bearing—.010 U/S.....	BB1157	2	*
17072—.020 U/S		Crankshaft center main bearing—.020 U/S.....	BB1158	2	*
17072—.030 U/S		Crankshaft center main bearing—.030 U/S.....	BB1159	2	*
16695B		Crankshaft center main bearing cap.....	BB1160	1	*
17074—std.		Crankshaft intermediate main bearing—std.....	BB1161	8	*
17074—.010 U/S		Crankshaft intermediate main bearing—.010 U/S....	BB1162	8	*
17074—.020 U/S		Crankshaft intermediate main bearing—.020 U/S....	BB1163	8	*
17074—.030 U/S		Crankshaft intermediate main bearing—.030 U/S....	BB1164	8	*
16697B		Crankshaft intermediate main bearing cap.....	BB1165	4	*
17073—std.		Crankshaft rear main bearing—std.....	BB1166	2	*
17073—.010 U/S		Crankshaft rear main bearing—.010 U/S.....	BB1167	2	*
17073—.020 U/S		Crankshaft rear main bearing—.020 U/S.....	BB1168	2	*
17073—.030 U/S		Crankshaft rear main bearing—.030 U/S.....	BB1169	2	*
16694B		Crankshaft rear main bearing cap.....	BB1170	1	*
		Main bearing set — std. ....	BB11020	1	*
		Main bearing set — .010 U/S .....	BB11021	1	*
		Main bearing set — .020 U/S .....	BB11022	1	*
		Main bearing set — .030 U/S .....	BB11023	1	*
80172		Crankshaft rear main bearing flange.....	BB1174	4	*
4765		Crankshaft rear main bearing flange dowel.....	51166F	4	*
80164		Crankshaft front main bearing shim—.002.....	BB1175	as req'd	*
80165		Crankshaft front main bearing shim—.003.....	BB1176	6	*
80168		Crankshaft center and rear main bearing shim—.002..	BB1178	as req'd.	*
80169		Crankshaft center and rear main bearing shim—.003..	BB1179	12	*
80166		Crankshaft intermediate main bearing shim—.002...	BB1171	as req'd.	*
80167		Crankshaft intermediate main bearing shim—.003...	BB1177	24	*
15103		Crankshaft front and inter. main bearing cap screw..	31174F	10	*
1703		Crankshaft center and rear main bearing cap screw..	1172R	8	*
267		Crankshaft main bearing screw lockwire.....	1104R	16	*

**0103—Pistons, Rings, and Piston Pins**

16519—std.		Piston with pin—std.....	BB11060	6	
16519—.010 O/S		Piston with pin—.010 O/S.....	BB11061	6	
16519—.020 O/S		Piston with pin—.020 O/S .....	BB11062	6	
16519—.030 O/S		Piston with pin—.030 O/S .....	BB11063	6	
16519—.040 O/S		Piston with pin—.040 O/S .....	BB11064	6	
16519—.050 O/S		Piston with pin—.050 O/S.....	BB11065	6	
16519—.060 O/S		Piston with pin—.060 O/S.....	BB11066	6	
16519—S.F.		Piston with pin—Semi-finished.....	BB11067	6	
15929—std.		Piston pin—std.....	51080M	6	
15929—.003 O/S		Piston pin—.003 O/S.....	51081M	6	
15929—.005 O/S		Piston pin—.005 O/S .....	51082M	6	
3824—std.		Piston compression ring—std. ....	BB11070	24	
3824—.010 O/S		Piston compression ring—.010 O/S.....	BB11071	24	
3824—.020 O/S		Piston compression ring—.020 O/S.....	BB11072	24	
3824—.030 O/S		Piston compression ring—.030 O/S.....	BB11073	24	
3824—.040 O/S		Piston compression ring—.040 O/S.....	BB11074	24	
3824—.050 O/S		Piston compression ring—.050 O/S.....	BB11075	24	
3824—.060 O/S		Piston compression ring—.060 O/S.....	BB11076	24	
3923—std.		Piston oil regulator ring—std.....	BB11077	6	
3923—.010 O/S		Piston oil regulator ring—.010 O/S.....	BB11078	6	
3923—.020 O/S		Piston oil regulator ring—.020 O/S.....	BB11079	6	
3923—.030 O/S		Piston oil regulator ring—.030 O/S.....	BB11080	6	
3923—.040 O/S		Piston oil regulator ring—.040 O/S.....	BB11081	6	
3923—.050 O/S		Piston oil regulator ring—.050 O/S.....	BB11082	6	
3923—.060 O/S		Piston oil regulator ring—.060 O/S.....	BB11083	6	

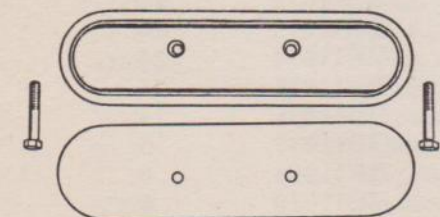


PARTS LIST 4 TON 6 x 6 TRUCKS  
MODELS 969B; 975; 975A

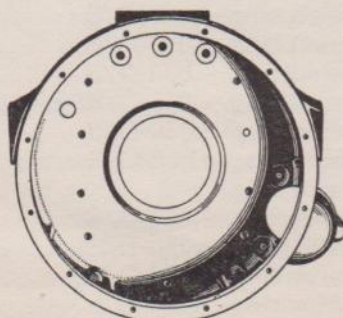


1. Rear main bearing flange .....	BB1174
2. Rear main bearing (std.) .....	BB1166
3. Rear main bearing cap .....	BB1170
4. Rear and center main bearing cap screw.....	1172R
5. Intermediate bearing (std.) .....	BB1161
6. Intermediate bearing cap .....	BB1165
7. Intermediate and front bearing cap screw.....	31174F
8. Center main bearing (std.) .....	BB1156
9. Center bearing cap .....	BB1160
10. Front main bearing (std.) .....	BB1151
11. Front bearing cap .....	BB1155
12. Piston pin clamp screw .....	1103R
13. Connecting rod .....	BB1090
14. Center and rear main bearing shim (.002).....	BB1178
15. Piston with pin (std.) .....	BB11060
16. Intermediate bearing shim (.002).....	BB1171
17. Valve spring seat .....	11128R

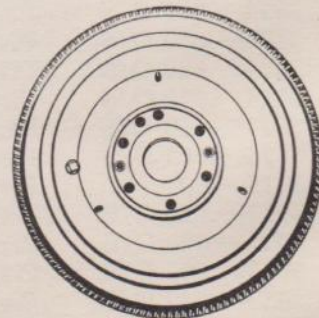
18. Lockwire .....	1104R
19. Front main bearing shim (.002).....	BB1175
20. Connecting rod bearing (std.) .....	BB1094
21. Connecting rod cap nut .....	11101F
22. Connecting rod shim (.002) .....	BB1098
23. Piston ring (comp.) (std.) .....	BB11070
24. Piston ring (oil) (std.) .....	BB11077
25. Piston pin (std.) .....	51080M
26. Valve spring .....	11127R
27. Valve spring seat pin .....	51129J
28. Valve (exhaust) .....	31124F
28. Valve (intake) .....	31125F
29. Valve cluster dowel .....	31107F
30. Valve tappet adj. screw .....	31116J
31. Locknut .....	51117R
32. Valve tappet .....	BB1111
33. Valve tappet cluster .....	31105F



Valve cover .....	31011F
Gasket .....	31012F
Screw .....	31013F



Bell Housing .....



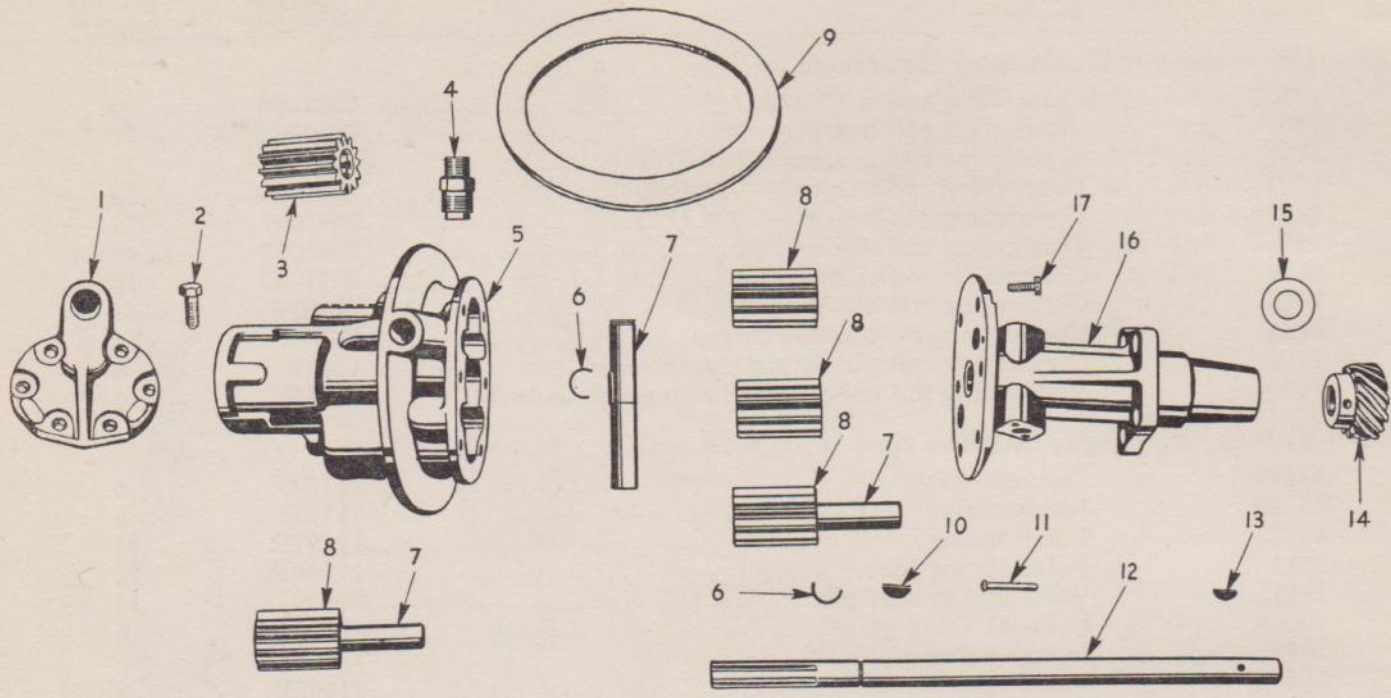
Flywheel .....

PARTS LIST 4 TON 6 x 6 TRUCKS  
DIAMOND T MOTOR CAR COMPANY

**0104**  
**0107**  
**ENGINE**

Code	Mfr. No.	Description	Order by this Number	Quantity Required	
<b>0104—Connecting Rods and Bearings</b>					
	17076	Connecting rod with bearings . . . . .	BB1090	6	*
	17075—std.	Connecting rod bearing—std. . . . .	BB1094	12	*
	17075—.010 U/S	Connecting rod bearing—.010 U/S . . . . .	BB1095	12	*
	17075—.020 U/S	Connecting rod bearing—.020 U/S . . . . .	BB1096	12	*
	17075—.030 U/S	Connecting rod bearing—.030 U/S . . . . .	BB1097	12	*
	16692—.002	Connecting rod shim—.002 . . . . .	BB1098	as req'd.	*
	16693—.003	Connecting rod shim—.003 . . . . .	BB1099	18	*
	7056	Connecting rod cap nut . . . . .	11101F	12	*
	1710	Connecting rod cap nut cotter . . . . .	Z584	12	*
	1711	Connecting rod piston pin clamp screw . . . . .	1103R	6	*
	267	Connecting rod piston pin clamp screw lockwire . . . . .	1104R	6	*
<b>0105—Valves, Springs, Guides and Tappets</b>					
	15510	Exhaust valve . . . . .	31124F	6	*
	15520	Intake valve . . . . .	31125F	6	*
	19772	Valve spring . . . . .	11127R	12	*
	1613	Valve spring seat . . . . .	11128R	12	*
	21011	Valve spring seat pin . . . . .	51129J	12	*
	15009	Exhaust valve guide . . . . .	31126F	6	*
	1611	Intake valve guide . . . . .	1126R	6	*
	15088	Valve tappet cluster . . . . .	31105F	2	*
	1701	Valve tappet cluster screw . . . . .	31106F	8	*
	2210	Valve tappet cluster dowel . . . . .	31107F	8	*
	312	Valve tappet cluster lockwasher . . . . .	X18	8	*
	16506	Valve tappet . . . . .	BB1111	12	*
	4682	Valve tappet adjusting screw . . . . .	31116J	12	*
	2186	Valve tappet adjusting screw nut . . . . .	51117R	12	*
	15006	Valve cover . . . . .	31011F	2	*
	15005	Valve cover gasket . . . . .	31012F	2	*
	4038	Valve cover screw . . . . .	31013F	4	*
<b>0106—Camshaft and Bearings</b>					
	16567	Camshaft . . . . .	61270J	1	*
	15043	Camshaft front bearing . . . . .	31180F	1	*
	15044	Camshaft center bearing . . . . .	31181F	4	*
	16543	Camshaft rear bearing . . . . .	31183J	1	*
	15049	Camshaft gear . . . . .	31271F	1	*
	1247	Camshaft gear key . . . . .	Z215	1	*
	1698	Camshaft gear nut . . . . .	1277R	1	*
	11039	Camshaft nut lockwasher . . . . .	61324C	1	*
	4342	Camshaft thrust washer . . . . .	31312R	1	*
	14209	Camshaft thrust plunger . . . . .	1279R	1	*
	2048	Camshaft thrust plunger adjusting nut . . . . .	2X47	1	*
	14596	Camshaft thrust plunger adjusting screw . . . . .	31217F	1	*
	17878	Idler shaft . . . . .	BB1287	1	*
	15105	Idler shaft gear . . . . .	31282F	1	*
	920	Idler shaft gear key . . . . .	Z2A	1	*
	18098	Idler shaft bearing . . . . .	41184R	1	*
	4342	Idler shaft gear thrust washer . . . . .	31312R	1	*
	14209	Idler shaft gear thrust plunger . . . . .	1279R	1	*
	14594	Idler shaft gear thrust plunger adjusting screw . . . . .	1218H	1	*
	2048	Idler shaft gear thrust plunger adjusting nut . . . . .	2X47	1	*
<b>0107—Oil Pump, Oil Pan, Oil Gauge, Oil Filter</b>					
	17523	Oil pump assembly . . . . .	BB1325	1	*
	17524	Oil pump body — lower . . . . .	BB1328	1	*
	16538	Oil pump body — upper . . . . .	BB1343	1	*
	19017	Oil pump body bushing — lower . . . . .	BB1327	1	*
	16539	Oil pump body bushing — upper . . . . .	BB1344	1	*
	4605	Oil pump body attaching screw . . . . .	BB1381	6	*
	267	Oil pump body attaching screw lockwire . . . . .	1104R	1	*
	19028	Oil pump cover . . . . .	BB1329	1	*

PARTS LIST 4 TON 6 x 6 TRUCKS  
MODELS 969B; 975; 975A



1. Cover .....	BB1329	9. Felt Seal .....	BB1362
2. Screw .....	BB1347	10. Idler gear key .....	Z28
3. Gear .....	BB1382	11. Pin .....	1281R
4. Pipe union .....	11338R	12. Shaft .....	BB1331
5. Lower body .....	BB1328	13. Key .....	Z28
6. Idler shaft snap ring .....	41336C	14. Drive Gear .....	31332J
7. Idler shaft .....	31335J	15. Washer .....	31333J
8. Idler gear .....	31334J	16. Upper body .....	BB1343
		17. Attaching screw .....	BB1381

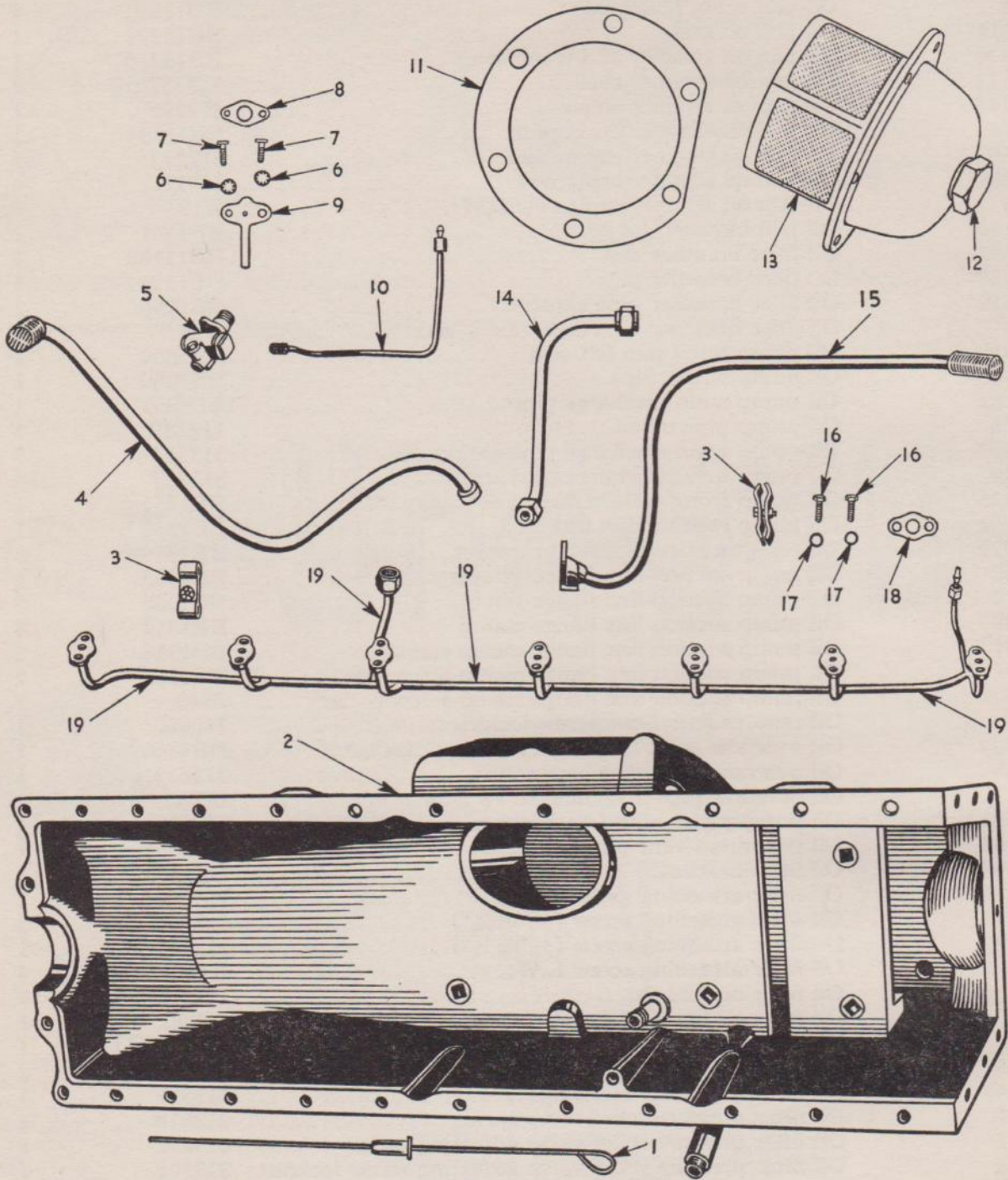
Code	Mfr. No.	Description	Order by this Number	Quantity Required	
4604		Oil pump cover screw .....	BB1347	6	*
267		Oil pump cover screw lockwire .....	1104R	1	*
16452		Oil pump shaft .....	BB1331	1	*
15131		Oil pump drive gear .....	31332J	1	*
2165		Oil pump drive gear key .....	Z28	1	*
1157		Oil pump drive gear pin .....	1281R	1	*
15126		Oil pump drive gear washer .....	31333J	1	*
15125		Oil pump idler shaft .....	31335J	3	*
15122		Oil pump idler shaft gear .....	31334J	4	*
2165		Oil pump idler shaft gear key .....	Z28	1	*
4362		Oil pump idler shaft snap ring .....	41336C	1	*
16453		Oil pump gear .....	BB1382	1	*
4629		Oil pump attaching screw .....	BB1380	4	*
342		Oil pump attaching screw lockwasher .....	DX254	4	*
267		Oil pump attaching screw lockwire .....	1104R	1	*
17183D		Oil pan .....	BB11223	1	*
17185C		Oil pan gasket .....	BB1230	2	
2100		Oil pan attaching screw (1/2-13 x 1) (For pressed steel oil pan) .....	1231H	33	
312		Oil pan attaching screw L.W. ....	X18	33	*
4339		Oil pan attaching screw (1/2-13 x 1 3/8) (For Cast Alum. oil pan) (following two items also required) .....	BB1225	18	
8552		Oil pan attaching screw (1/2-13 x 2 3/4) (For Cast Alum. oil pan) (preceding and following items also required) .....	21216F	8	
2100		Oil pan to bell housing attaching screw (1/2 x 13 x 1) (For Cast Alum. oil pan) (preceding two items also required) .....	1231H	7	

PARTS LIST 4 TON 6 x 6 TRUCKS  
DIAMOND T MOTOR CAR COMPANY

**0107  
ENGINE**

Code	Mfr. No.	Description	Order by this Number	Quantity Required	
312		Oil pan to bell housing attaching screw L.W.	X18	7	
14867		Oil pan drain plug — rear	BB11314	1	
296		Oil pan drain plug gasket	BB11315	1	
19010		Oil pan oil seal	BB1229	1	*
17899		Oil pan oil strainer and water trap	BB11316	1	
15148		Oil pan oil strainer shell	31228F	1	*
15147		Oil pan oil strainer gauze	31229F	1	*
14867		Oil pan oil strainer drain plug	BB11314	1	
8146		Oil pan oil strainer cap gasket	31227J	1	*
2100		Oil pan oil strainer cap screw	1231H	6	
312		Oil pan oil strainer cap screw L.W.	X18	6	
17146		Oil pan bayonet gauge	BB1341	1	*
17891		Oil filler breather cap	BB11192	1	
17886		Oil filler breather pipe	BB1193	1	*
14512		Oil filler breather pipe capscrew	BB1194	1	*
312		Oil filler breather pipe capscrew L.W.	X18	1	*
19019		Oil pump to oil pan felt seal	BB1362	1	*
16425		Oil pump outlet pipe	BB1350	1	*
17182		Oil pump main discharge pipe	BB1351	1	*
2396		Oil pump pipe union	11338R	3	*
15133		Oil pump main discharge pipe gasket	31355J	7	*
4039		Oil pump main discharge pipe screw	31356J	14	*
17885		Oil pump front suction line	BB1352	1	*
16454		Oil pump rear suction line	BB1353	1	*
19011		Oil pump suction line flange gasket	BB1354	2	*
4606		Oil pump suction line flange screw	BB1355	2	*
4772		Oil pump suction line flange screw	BB1356	2	*
8588		Oil pump suction line flange clamp	BB1357	4	*
4607		Oil pump suction line flange clamp screw	BB1358	2	*
1A		Oil pump suction line flange clamp screw nut	BB1359	2	*
10		Oil pump suction line flange clamp screw cotter	Z543	2	*
267		Oil pump suction line screw lockwire	1104R	1	*
16423		Oil overflow pipe	BB1360	1	*
1536		Oil overflow pipe attaching screw	31363J	1	*
628		Oil overflow pipe attaching screw L.W.	DX4289H	1	*
14742		Oil pump pipe union (discharge pipe to cyl. block)	BB1361	1	*
16185		Oil pan sump vent pipe	BB1383	1	*
17244		Oil filter bracket	BB1403	1	*
17246		Oil filter attaching gasket	BB1402	1	*
4064		Oil filter attaching screw (1/2" x 1 1/4")	DX133	3	
8552		Oil filter attaching screw (1/2" x 2 3/4")	21216F	1	*
312		Oil filter attaching screw L.W.	X18	4	*
		Oil filter oil line tee	DX533AE	1	*
		Oil filter oil line tee nipple	DX2037	1	*
		Oil filter oil line tee connector	DX3590JJ	1	*
5266		Oil filter unit assembly (Fram)	DX5878	2	
15243		Oil filter pressure relief valve	31385F	1	*
8571		Oil filter pressure relief valve spring	31387F	1	*
8572		Oil filter pressure relief valve adjusting screw	31389F	1	*
8573		Oil filter pressure relief valve adjusting screw locknut	31390F	1	*
8575		Oil filter pressure relief valve adj. screw locknut gasket	31391F	1	*
8574		Oil filter pressure relief valve adjusting screw cap	31393F	1	*
8575		Oil filter pressure relief valve adj. screw cap gasket	31391F	1	*
61		Oil filter bracket pipe plug (3/8")	11338F	2	*
4312		Oil filter bracket pipe plug (1/2")	DX611A	1	*
59		Oil filter bracket pipe plug (1/8")	11339F	2	*
60		Oil filter bracket pipe plug (1/4")	41412C	1	*
C-31		Oil filter element	BB11415	2	
5267		Oil filter case	BB3404	2	
11639		Oil filter case gasket	BB11405	2	
11733		Oil filter center tube	BB3406	2	
11734		Oil filter case retaining plate	BB3407	2	

PARTS LIST 4 TON 6 x 6 TRUCKS  
MODELS 969B; 975; 975A

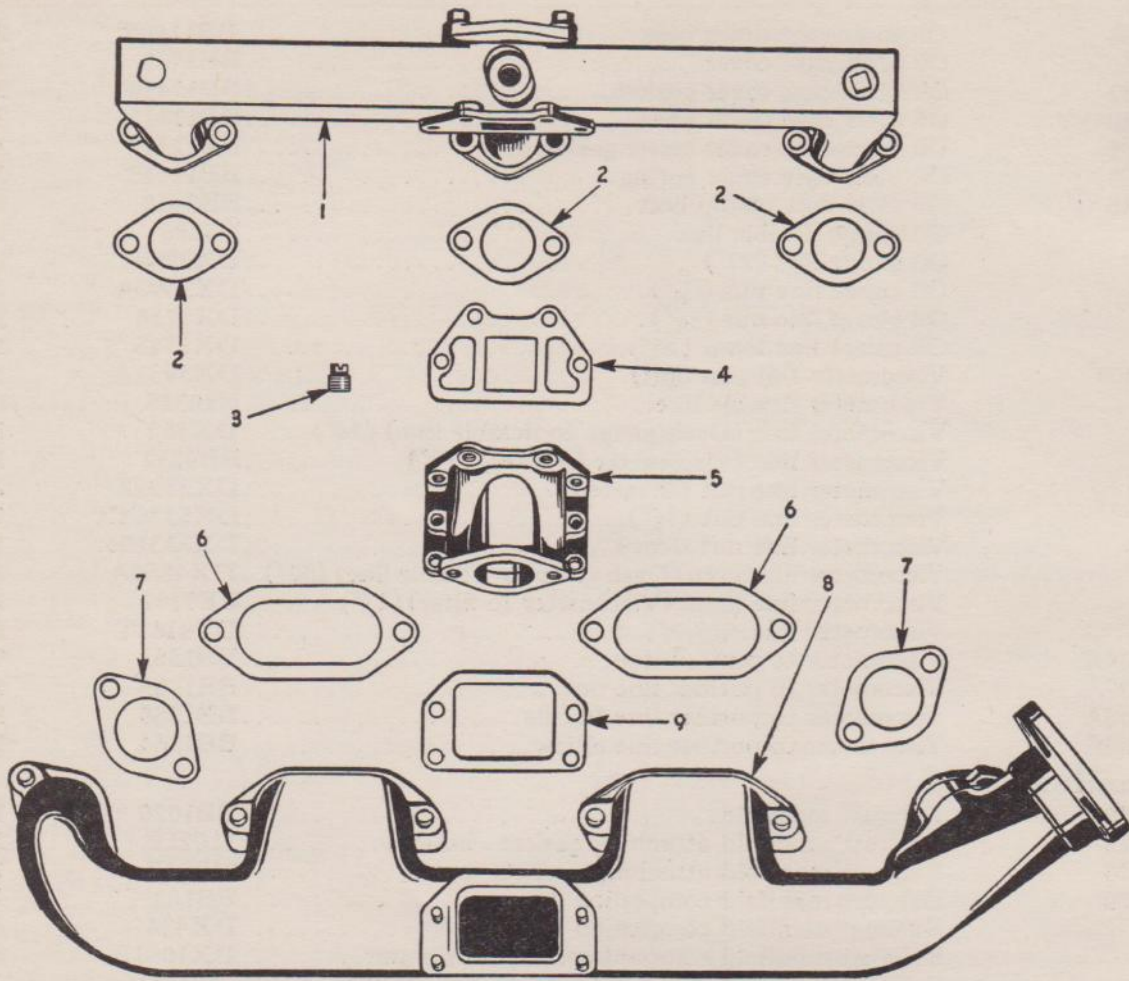


1. Oil pan bayonet gauge .....	BB1341	10. Viscometer to oil filter line .....	BB1363
2. Oil pan .....	BB11223	11. Gasket .....	31227J
3. Clamp .....	BB1357	12. Pipe plug (1" std.) .....	BB11314
4. Front suction line assy. ....	BB1352	13. Oil strainer assy. ....	BB11316
5. Viscometer (oil pan unit) .....	BB8709	14. Oil pump outlet pipe .....	BB1350
6. Lockwasher (5/16" Shakeproof) .....	31359J	15. Rear suction line .....	BB1353
7. Screw .....	31358J	16. Screw .....	31356J
8. Gasket .....	31355J	17. Lockwasher (5/16" Shakeproof) .....	31359J
9. Oil orifice .....	31357J	18. Gasket (discharge pipe) .....	31355J
		19. Main discharge pipe .....	BB1351

PARTS LIST 4 TON 6 x 6 TRUCKS  
DIAMOND T MOTOR CAR COMPANY

**0107**  
**0109**  
**ENGINE**

Code	Mfr. No.	Description	Order by this Number	Quantity Required	
	11584	Oil filter case drain plug.....	BB11408	2	
	5241	Oil filter case cover.....	BB3409	2	
	11582	Oil filter case cover gasket.....	BB11410	2	
	11580	Oil filter case cover screw.....	BB11411	2	
	11581	Oil filter case cover screw gasket.....	BB11412	2	
	11583	Oil filter case cover spring.....	BB11413	2	
	11735	Oil filter case clamp bolt.....	BB3410	2	
		Oil gauge flexible line.....	N9325	1	*
		Oil gauge line (27").....	DX2709	1	
		Oil gauge line nut ( $\frac{7}{16}$ ").....	DX3590A	1	*
		Oil gauge line nut ( $\frac{1}{4}$ ").....	DX2756	1	*
		Oil gauge line loom (25").....	DX2725	1	
	S806B	Viscometer (oil pan unit).....	DX5931A	1	
		Viscometer flexible line.....	N10325	1	*
		Viscometer line (Dash gauge to flexible line) (34").....	DX852	1	
		Viscometer line (Viscometer to filter) (19").....	BB9252	1	*
		Viscometer line nut (Inverted).....	DX3590Z	2	*
		Viscometer line nut ( $\frac{3}{4}$ ").....	DX533CC	1	*
		Viscometer line nut sleeve.....	DX533BB	1	*
		Viscometer line loom (Dash gauge to flexible line) (32").....	DX4869A	1	
		Viscometer line loom (Viscometer to filter) (17").....	BB9302	1	*
		Viscometer line clip.....	DT4143T	1	*
	17884A	Viscometer to purifier line.....	BB1363	1	*
	14407A	Viscometer to purifier line nut.....	BB1365	1	*
	14408A	Viscometer to purifier line ferrule.....	BB1366	1	*
	14406A	Viscometer to purifier line elbow.....	BB1364	1	*
<b>0108—Manifold</b>					
	17048	Exhaust manifold.....	BB1020	1	*
	15023	Exhaust manifold attaching gasket—inner.....	31021F	2	*
	15026	Exhaust manifold attaching gasket—outer.....	31022F	2	*
	17879	Exhaust manifold companion flange.....	BB1037	1	*
		Exhaust manifold companion flange bolt.....	DX434	3	*
		Exhaust manifold companion flange brass nut.....	DX1091B	3	*
		Exhaust manifold companion flange bolt washer.....	DT444H	3	*
	17047	Intake manifold.....	BB1030	1	*
	15031	Intake manifold attaching gasket.....	31031F	3	*
	11484	Intake and exhaust manifold attaching stud.....	BB11007	14	
	11485	Intake and exhaust manifold attaching stud washer.....	BB11008	14	
	4079	Intake and exhaust manifold attaching stud nut.....	1022C	14	*
	19762	Intake manifold riser.....	BB1032	1	*
	19764	Intake manifold riser gasket (to exhaust manifold).....	BB1034	1	*
	19763	Intake manifold riser gasket (to intake manifold).....	BB1035	1	*
	14759	Intake manifold riser attaching stud (to exhst. man.).....	BB1026	4	*
	4079	Intake manifold riser attaching stud nut.....	1022C	4	*
	315	Intake manifold riser attaching screw (to intake man.).....	Y264	4	*
	19766	Intake manifold cover plate.....	BB1033	1	*
	19765	Intake manifold cover plate gasket.....	BB1031	1	*
	4106	Intake manifold cover plate stud.....	BB1039	2	*
	848	Intake manifold cover plate stud nut.....	51023R	2	*
	305	Intake manifold pipe plug ( $\frac{1}{8}$ ").....	R11	1	*
	4312	Intake manifold pipe plug ( $\frac{1}{2}$ ").....	DX611A	1	*
<b>0109—Flywheel, Ring Gear, Etc.</b>					
	17486	Flywheel with ring gear.....	BB11265	1	
	15480	Flywheel ring gear.....	31268F	1	
	16899	Flywheel bell housing.....	BB1240	1	*
	352	Flywheel bell housing to crankcase screw ( $\frac{1}{2}$ "x $1\frac{1}{4}$ ").....	Y285	3	*
	2100	Flywheel bell housing to crankcase screw ( $\frac{1}{2}$ "x1").....	1231H	11	*
	312	Flywheel bell housing to crankcase screw L.W.....	X18	14	*
	15065	Flywheel bell housing gasket.....	31241F	1	*
	80634	Flywheel bell housing oil seal.....	BB1244	1	*
	14221	Flywheel bell housing oil seal screw.....	BB1245	3	*
	7064	Flywheel bell housing starter adapter.....	11242F	1	*



1. Intake manifold	BB1030
2. Attaching gasket	31031F
3. Pipe plug (1/2" Std.)	DX611A
4. Gasket	BB1035
5. Intake manifold riser	BB1032

6. Exhaust manifold gasket (inner)	31021F
7. Exhaust manifold gasket (outer)	31022F
8. Exhaust manifold	BB1020
9. Gasket (riser to exh.)	BB1034

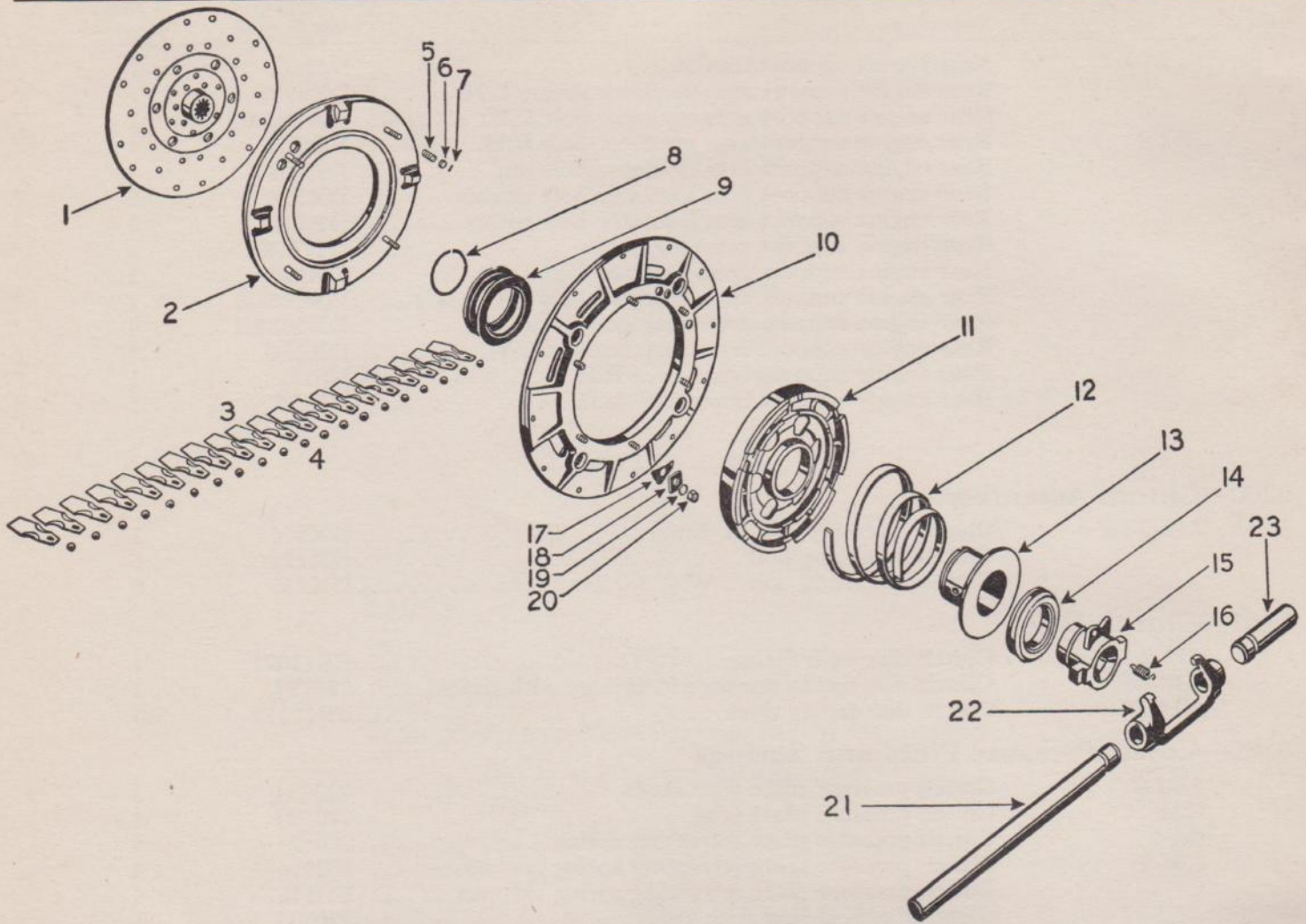
Code	Mfr. No.	Description	Order by this Number	Quantity Required	
<b>0110—Mountings</b>					
		Front engine support	N7125	1	*
		Front engine support clamp bolt	DXT1085	1	*
		Front engine support clamp bolt nut	DX1089	1	*
		Front engine support clamp bolt washer	DX556	1	*
		Front engine support clamp bolt cotter	DX213	1	*
		Front engine support insulator—upper	N3243B	2	
		Front engine support insulator—lower	N3243A	2	
		Front engine support insulator bolt	N1135E	2	
		Front engine support insulator bolt nut	DX1089	2	*
		Front engine support insulator bolt washer	DT444A	4	
		Front engine support insulator bolt cotter	DX213	2	*
		Front engine support insulator oil retainer	N1478	2	*
		Rear engine support arm R.H.	N4131	1	*
		Rear engine support arm L.H.	N5131	1	*
		Rear engine support arm bolt	DX133	8	*
		Rear engine support arm bolt L.W.	DX259	8	*

**PARTS LIST 4 TON 6 x 6 TRUCKS  
DIAMOND T MOTOR CAR COMPANY**

Code	Mfr. No.	Description	Order by this Number	Quantity Required	
		Rear engine support insulator . . . . .	N4206	2	*
		Rear engine support arm insulator spring L.H. . . . .	DT3835	1	*
		Rear engine support arm insulator bolt L.H. . . . .	DXT430D	1	*
		Rear engine support arm insulator bolt R.H. . . . .	N8251F	1	*
		Rear engine support arm insulator bolt nut . . . . .	DX1090	2	*
		Rear engine support arm insulator bolt washer . . . . .	DX558	2	*
		Rear engine support arm insulator bolt cotter . . . . .	DX216	2	*
		Rear engine support cross member . . . . .	N11198	1	*
		Rear engine support cross member bolt (5/8"x5") . . . . .	DX433A	2	*
		Rear engine support cross member bolt (5/8"x5 1/4") . . . . .	DX1088E	2	*
		Rear engine support cross member bolt nut . . . . .	DX1032C	4	*
		Rear engine support cross member nut L.W. . . . .	DX263	4	*
		Rear engine support bracket — R.H. . . . .	N6132	1	*
		Rear engine support bracket — L.H. . . . .	N5132	1	*
<b>02 — CLUTCH</b>					
<b>0200—Clutch Assembly</b>					
	Z42-S-15"	Clutch assembly (W. C. Lipe) . . . . .	DX5784	1	
		Clutch mounting bolt . . . . .	DX112	6	
		Clutch mounting bolt L.W. . . . .	DX255	6	
<b>0201—Clutch Disc</b>					
	Z15-2	Clutch disc with facing . . . . .	BB12071	1	
	C18-86	Clutch disc facing package (2 facings with rivets) . . . . .	22075J	1	
	X14-16	Clutch disc facing rivet . . . . .	BB12072	30	
<b>0202—Cover, Pressure Plate and Springs</b>					
	AC1-9	Clutch pressure plate with studs . . . . .	22076J	1	
	X21-11	Clutch pressure plate stud . . . . .	22078J	4	
	C6-4	Clutch pressure plate retracting spring . . . . .	22077J	4	
	C66-1	Clutch pressure plate retracting spring ret. washer . . . . .	BB12074	4	
	C7-3	Clutch pressure plate retracting spring ret. pin . . . . .	BB12073	4	
	AC2-27	Clutch flywheel ring with studs . . . . .	22080J	1	
	X21-12	Clutch flywheel ring stud . . . . .	22079J	6	
	C20-1	Clutch flywheel ring adjusting shim . . . . .	22086J	42	
	C10-2	Clutch flywheel ring adjusting strap . . . . .	22087J	6	
	X4-20	Clutch flywheel ring stud nut . . . . .	DX577	6	
	X10-23	Clutch flywheel ring stud nut L.W. . . . .	DX255	6	
	C3-36	Clutch adjusting plate . . . . .	22082J	1	
	C5-4	Clutch pressure spring . . . . .	22088J	1	
<b>0203—Release Lever, Bearings, Forks, Etc.</b>					
	AC4-35	Clutch release sleeve . . . . .	22091J	1	
	C40-1	Clutch release sleeve spring stop pin . . . . .	22092J	1	
	C13-11	Clutch release sleeve fulcrum ring . . . . .	22084J	2	
	X17-7	Clutch release sleeve fulcrum ring ball . . . . .	22090J	20	
	C8-21	Clutch pressure lever . . . . .	22083J	20	
	C11-4	Clutch release sleeve snap ring . . . . .	22085J	1	
	A959-1	Clutch release bearing . . . . .	DX4976	1	*
		Clutch release bearing carrier . . . . .	N7333	1	
	DT3433	Clutch release bearing carrier spring . . . . .	12096C	1	*
	1943	Clutch release bearing carrier spring clip . . . . .	12097F	1	*
		Clutch throwout shaft bracket . . . . .	N1444	1	*
		Clutch throwout shaft bracket bushing . . . . .	DT1246C	1	*
		Clutch throwout shaft bracket bolt . . . . .	DX1032A	2	*
		Clutch throwout shaft bracket bolt nut . . . . .	DX1032C	2	*
		Clutch throwout shaft bracket bolt L.W. . . . .	DX263	2	*
		Clutch throwout shaft bracket adjusting bolt . . . . .	DT13054	1	*
		Clutch throwout shaft bracket adjusting bolt L.W. . . . .	DX255	1	*
		Clutch throwout shaft bracket adjusting bolt nut . . . . .	DX577	1	*
		Clutch throwout shaft bracket grease fitting . . . . .	DX4050	2	*
	4645	Clutch throwout shaft—long . . . . .	BB2001	1	*



PARTS LIST 4 TON 6 x 6 TRUCKS  
MODELS 969B; 975; 975A



1. Driven plate . . . . .	BB12071	9. Fulcrum ring . . . . .	22084J	17. Adjusting shim . . . . .	22086J
2. Pressure plate . . . . .	22076J	10. Flywheel ring . . . . .	22080J	18. Adjusting strap . . . . .	22087J
3. Pressure lever . . . . .	22083J	11. Adjusting plate . . . . .	22082J	19. Lockwasher . . . . .	DX255
4. Fulcrum ring ball . . . . .	22090J	12. Pressure spring . . . . .	22088J	20. Nut . . . . .	DX577
5. Retractor spring . . . . .	22077J	13. Release sleeve . . . . .	22091J	21. Clutch shaft—long . . . . .	BB2001
6. Spring retainer washer . . . . .	BB12074	14. Release bearing . . . . .	DX4976	22. Throwout yoke . . . . .	32006C
7. Pin . . . . .	BB12073	15. Release bearing carrier . . . . .	N7333	23. Clutch shaft—short . . . . .	42004F
8. Snap ring . . . . .	22085J	16. Pull back spring . . . . .	12096F		

Code	Mfr. No.	Description	Order by this Number	Quantity Required	
	2522	Clutch throwout shaft—short . . . . .	42004F	1	*
	1569	Clutch throwout yoke . . . . .	32006C	1	*
	1607	Clutch throwout yoke screw . . . . .	32008R	2	*
	1553	Clutch throwout yoke screw lockwire . . . . .	12393R	2	*
		Clutch throwout yoke key . . . . .	Z211	1	*

0204—Clutch Pedal

Clutch pedal . . . . .	N12117	1	*
Clutch pedal pad . . . . .	N5489	1	*
Clutch pedal seal . . . . .	N7312	1	*
Clutch pedal adjuster . . . . .	DT3053	1	*
Clutch pedal adjuster washer . . . . .	DT3198	1	*
Clutch pedal adjuster bolt . . . . .	DX439C	1	*
Clutch pedal adjuster bolt nut . . . . .	DX1091	1	*
Clutch pedal adjuster bolt L.W. . . . .	DX258	1	*
Clutch pedal adjuster bolt plain washer . . . . .	DT444H	1	*
Clutch pedal adjuster key . . . . .	DX278	1	*
Clutch pedal pull back spring . . . . .	DT3802A	1	*

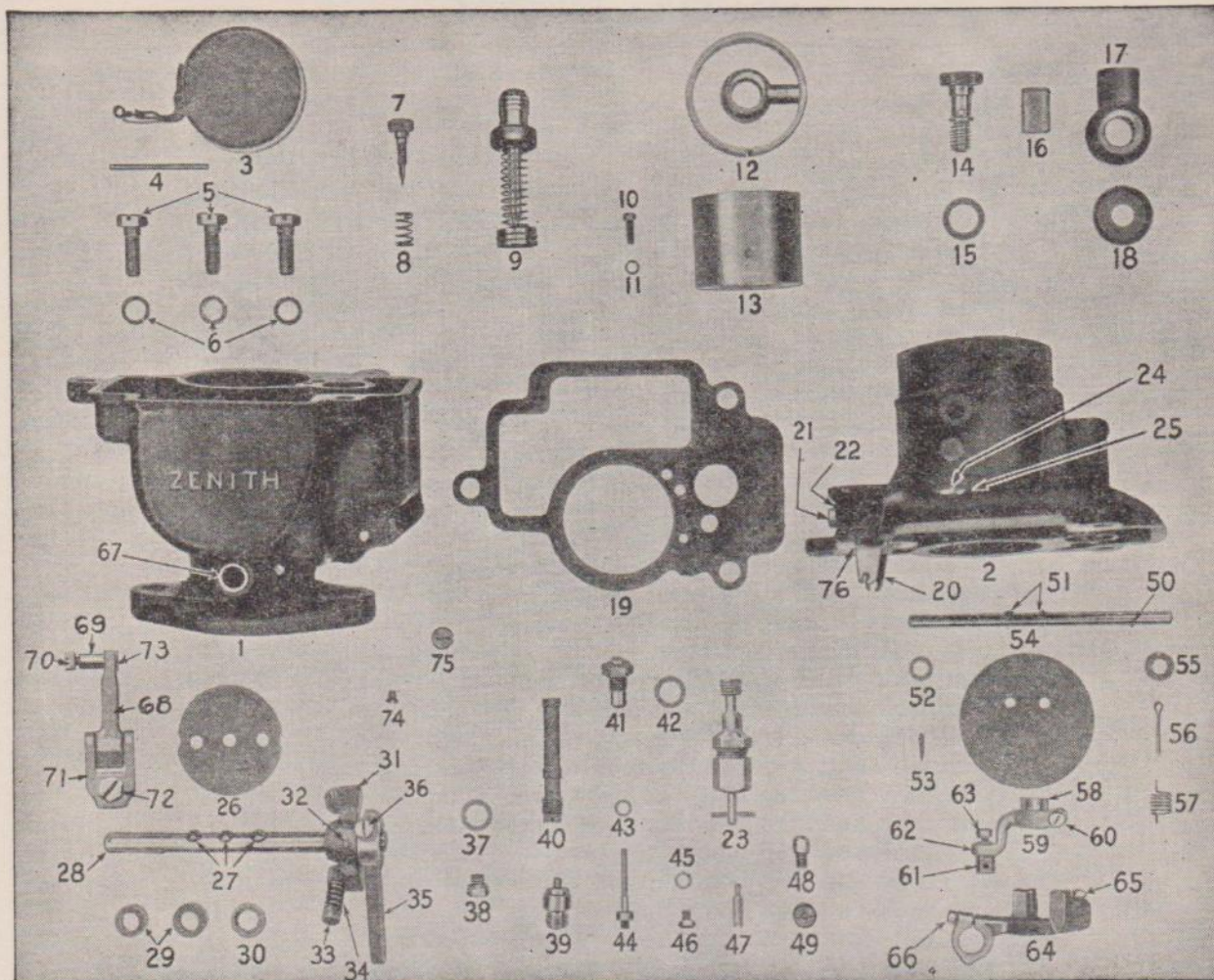
0205—Clutch Pilot Bearing

N.D. 7605	Clutch pilot bearing . . . . .	DX5676	1	*
-----------	--------------------------------	--------	---	---

PARTS LIST 4 TON 6 x 6 TRUCKS  
DIAMOND T MOTOR CAR COMPANY

**0300**  
**0301**  
**FUEL SYSTEM**

Code	Mfr. No.	Description	03—FUEL SYSTEM	Order by this Number	Quantity Required	
<b>0300—Gasoline Tank</b>						
		Gas tank.....	N19207		1	*
		Gas tank cap.....	N3313		1	*
		Gas tank gauge unit.....	N4305		1	*
		Fuel tank gauge unit flange.....	N1389L		1	*
		Gas tank gauge unit flange gasket.....	DX3936		1	*
		Gas tank gauge unit screw.....	N60251KK		5	*
		Fuel tank gauge unit screw lockwasher.....	N7460S		5	*
		Gas tank drain plug.....	DX615		1	*
		Gas tank shield.....	N2388		1	*
		Gas tank shield anti-squeak.....	DX860		1	*
		Gas tank shield strap end.....	N1452		4	*
		Gas tank shield strap end bolt — front.....	DX430D		2	*
		Gas tank shield strap end bolt nut.....	DX1032C		2	*
		Gas tank shield strap end bolt nut lockwasher.....	DX263		2	*
		Gas tank shield strap end bolt — rear.....	DXT432B		2	*
		Gas tank shield strap end bolt spring.....	DT3835		2	*
		Gas tank shield strap end bolt plain washer.....	DX558		2	*
		Gas tank shield strap end bolt nut.....	DX1090		2	*
		Gas tank shield strap end bolt cotter.....	DX215		2	*
		Gas tank shield scuff plate.....	N3178L		1	*
		Gas tank shield scuff plate bolt.....	DX418LL		14	*
		Gas tank shield scuff plate bolt nut.....	DX586B		14	*
		Gas tank shield scuff plate anti-squeak (81").....	DX861		1	*
		Gas tank and step board support brace RH.....	N3281R		1	*
		Gas tank and step board support brace LH.....	N3281L		1	*
		Gas tank and step board support brace bolt.....	DX435		2	*
		Gas tank and step board support brace bolt nut.....	DX1091		2	*
		Gas tank and step board support brace bolt nut lw.....	DX259		2	*
		Gas tank and step board support.....	N5149B		2	*
		Gas tank and step board support bolt ( $\frac{7}{16}$ "x1").....	DX419A		12	*
		Gas tank and step board support bolt ( $\frac{7}{16}$ "x1 $\frac{1}{4}$ ").....	DX1088B		8	*
		Gas tank and step board support bolt nut.....	DX599C		20	*
		Gas tank and step board support bolt lockwasher.....	DX257		20	*
		Gas tank and step board brace.....	N4281		1	*
<b>0301—Carburetor, Air Cleaner</b>						
	1N167-SJ-09840	Carburetor assembly (Zenith).....	DX5787		1	*
	QMC34	Carburetor repair kit.....	BB13394		1	*
	C181-82	Carburetor gasket set.....	C181-82		1	*
		Carburetor inlet fitting.....	DX5615		1	*
	A1-8E-6	Carburetor throttle body assembly.....	A1-8E-6		1	*
	C29-269	Carburetor throttle shaft and lever.....	C29-269		1	*
	C21-5	Carburetor throttle plate.....	C21-5		1	*
	C136-12	Carburetor throttle plate screw.....	C136-12		3	*
	C23-199	Carburetor throttle shaft.....	C23-199		1	*
	CT57-2	Carburetor throttle shaft packing.....	CT57-2		2	*
	CR28-82X5	Carburetor throttle stop lever.....	CR28-82X5		1	*
	CT63-5	Carburetor throttle stop lever pin.....	CT63-5		1	*
	C111-62	Carburetor throttle stop screw spring.....	C111-62		1	*
	T8S10-15	Carburetor throttle stop screw.....	T8S10-15		1	*
	C24-10X8	Carburetor throttle clamp lever.....	C24-10X8		1	*
	T8S10-9	Carburetor throttle clamp lever screw.....	T8S10-9		1	*
	C38-37	Carburetor main venturi #34.....	C38-37		1	*
	T1S8-7	Carburetor main venturi set screw.....	T1S8-7		1	*
	T41-8	Carburetor main venturi set screw lockwasher.....	T41-8		1	*
	C52-7	Carburetor main jet #33.....	C52-7		1	*
	T56-24	Carburetor main jet fibre washer.....	T56-24		1	*
	C66-34-1	Carburetor main discharge jet #45-1.....	C66-34-1		1	*
	C138-2	Carburetor vacuum channel screw.....	C138-2		1	*
	C85-6	Carburetor float assembly.....	C85-6		1	*
	C120-26	Carburetor float axle.....	C120-26		1	*
	CR88-2	Carburetor float bracket.....	CR88-2		1	*



1. Carburetor body assembly.....	A1-8E-6
2. Air intake assembly.....	B4-19
3. Float assembly.....	C85-54
4. Float axle.....	C120-26
5. Bowl to intake assembly screw.....	T8S31-14
6. Assembly screw lockwasher.....	T43-103
7. Idling adjusting screw.....	C46-6
8. Idling adjusting screw spring.....	C111-17
9. Vacuum pump assembly.....	C36-11
10. Main venturi set screw.....	T1S8-7
11. Set screw lockwasher.....	T41-8
12. Secondary venturi (Part of A1-8E-6).....	C39-12
13. Main venturi No. 34.....	C38-37
14. Filter plug.....	C149-22
15. Filter plug washer.....	T56-15
16. Filter screen.....	C150-1
17. Union body.....	C138-10
18. Union body washer.....	T56-36
19. Bowl to intake gasket.....	C142-25
20. Float hinge bracket.....	CR88-2
21. Channel screw.....	C138-61
22. Channel screw washer.....	T56-5
23. Main jet adjustment assembly (when lower plug is not used).....	C71-22
24. Name plate pin.....	T73-8
25. Name plate.....	CR147-1
26. Throttle plate.....	C21-5
27. Throttle plate screws.....	C136-12
28. Throttle shaft.....	C23-199
29. Throttle shaft packing.....	CT57-2
30. Throttle shaft packing cap.....	C116-11
31. Throttle stop lever.....	CR28-82x5
32. Stop lever taper pin.....	CT63-5
33. Throttle stop screw.....	T8S10-15
34. Throttle stop screw spring.....	C111-62
35. Throttle clamp lever.....	C24-10x8
36. Clamp lever clamp screw.....	T8S10-9
37. Lower plug washer.....	T56-23
38. Lower plug.....	C138-23
39. Power jet valve assembly No. 15.....	C97-10

40. Main discharge jet No. 45-1.....	C66-34-1
41. Fuel valve and seat assembly No. 55.....	C81-3
42. Fuel valve seat washer.....	T56-23
43. Power and accelerating jet washer.....	T56-24
44. Power and accelerating jet No. 20.....	C57-1x4
45. Main jet washer.....	T56-24
46. Main jet No. 33.....	C52-7
47. Idling jet No. 18.....	C55-11
48. Well vent No. 26.....	C77-14
49. Check valve.....	C41-9
50. Air shutter shaft assembly.....	C105-102
51. Air shutter retaining screws.....	C136-3
52. Air shutter shaft thrust collar.....	C130-4
53. Thrust collar taper pin.....	CT63-9
54. Air shutter.....	C102-45
55. Air shutter spring retainer.....	CR115-10
56. Spring retainer cotter pin.....	T61-4
57. Air shutter lever spring.....	C117-27
58. Air shutter lever bushing.....	CR26-61
59. Air shutter lever assembly.....	C106-107
60. Lever clamp screw.....	T8S8-7
61. Air shutter lever swivel.....	CR134-2
62. Swivel washer.....	CT52-1
63. Swivel screw.....	T8S8-10
64. Air shutter bracket.....	C109-7x7
65. Tube clamp screw.....	CT4S10-8
66. Bracket clamp screw.....	T1S8-10
67. Throttle shaft bushing.....	CR9-5
68. Floating lever.....	CR24-101Cx5
69. Floating lever swivel.....	CR134-5
70. Swivel screw.....	T8S8-7
71. Floating lever stop.....	C25-82x5
72. Floating lever stop clamp screw.....	T8S25-10
73. Swivel washer.....	CT52-7
74. Vacuum channel screw.....	C138-2
75. Bowl drain plug (1/8" pipe thread).....	CT91-1
76. Float hinge bracket drive screw.....	T73-15
Packing cap cotter pin (not illustrated).....	T61-5
Pilot tube (not illustrated).....	CR63-49
Throttle lever stop pin (not illustrated).....	CR121-20

PARTS LIST 4 TON 6 x 6 TRUCKS  
DIAMOND T MOTOR CAR COMPANY

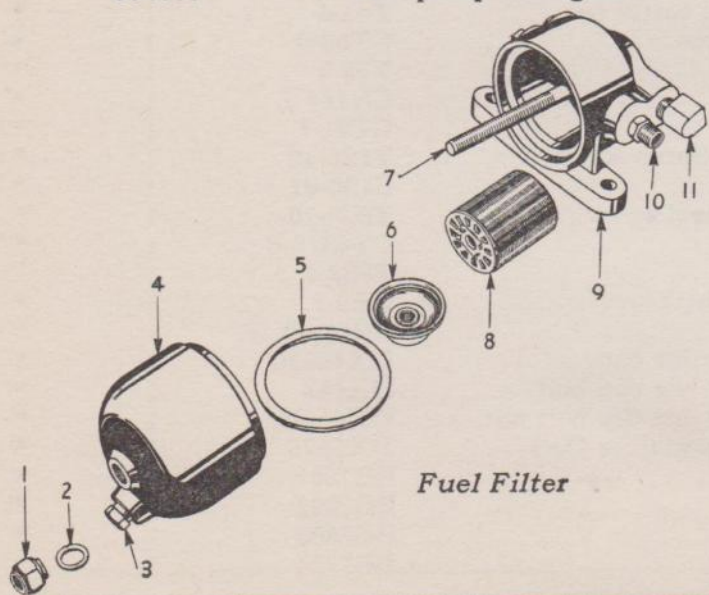
**0301**  
**FUEL SYSTEM**

Code	Mfr. No.	Description	Order by this Number	Quantity Required	
T73-15		Carburetor float bracket pin . . . . .	T73-15	1	*
C24-101AX5		Carburetor float lever . . . . .	C24-101AX5	1	*
CR134-5		Carburetor float swivel . . . . .	CR134-5	1	*
T8S8-7		Carburetor float lever swivel screw . . . . .	T8S8-7	1	*
CT52-7		Carburetor float lever swivel washer . . . . .	CT52-7	1	*
C25-82		Carburetor float lever stop . . . . .	C25-82	1	*
T8S25-10		Carburetor float lever stop clamp screw . . . . .	T8S25-10	1	*
C138-23		Carburetor drain plug — lower . . . . .	C138-23	1	*
T56-23		Carburetor drain plug washer — lower . . . . .	T56-23	1	*
B4-19		Carburetor air intake assembly . . . . .	B4-19	1	*
C142-25		Carburetor air intake to body gasket . . . . .	C142-25	1	*
C102-45		Carburetor air shutter plate . . . . .	C102-45	1	*
C106-107		Carburetor air shutter lever . . . . .	C106-107	1	*
C105-102		Carburetor air shutter shaft . . . . .	C105-102	1	*
C130-4		Carburetor air shutter shaft thrust collar . . . . .	C130-4	1	*
C117-27		Carburetor air shutter lever spring . . . . .	C117-27	1	*
CR134-2		Carburetor air shutter lever swivel . . . . .	CR134-2	1	*
CT52-1		Carburetor air shutter swivel washer . . . . .	CT52-1	1	*
C136-3		Carburetor air shutter plate screw . . . . .	C136-3	2	*
T8S31-14		Carburetor air intake to body screw . . . . .	T8S31-14	3	*
T43-103		Carburetor air intake to body screw lockwasher . . . . .	T43-103	3	*
C109-7X7		Carburetor air shutter bracket . . . . .	C109-7X7	1	*
CR26-61		Carburetor air shutter lever bushing . . . . .	CR26-61	1	*
CR115-10		Carburetor air shutter spring retainer . . . . .	CR115-10	1	*
C57-1X4		Carburetor accelerator and power jet #20 . . . . .	C57-1X4	1	*
T56-24		Carburetor accelerator and power jet fibre washer . . . . .	T56-24	1	*
C55-11		Carburetor idler jet #18 . . . . .	C55-11	1	*
C46-6		Carburetor idler adjusting needle . . . . .	C46-6	1	*
C111-17		Carburetor idler adjusting needle spring . . . . .	C111-17	1	*
C36-11		Carburetor vacuum pump assembly . . . . .	C36-11	1	*
C149-22		Carburetor filter plug . . . . .	C149-22	1	*
T56-15		Carburetor filter plug fibre washer . . . . .	T56-15	1	*
C150-1		Carburetor filter screen . . . . .	C150-1	1	*
C41-9		Carburetor check valve . . . . .	C41-9	1	*
C81-3		Carburetor fuel valve #55 . . . . .	C81-3	1	*
T56-23		Carburetor fuel valve fibre washer . . . . .	T56-23	1	*
C97-10		Carburetor power jet valve #15 . . . . .	C97-10	1	*
C77-14		Carburetor well vent #26 . . . . .	C77-14	1	*
C148-10		Carburetor union body . . . . .	C148-10	1	*
T56-36		Carburetor union body fibre washer . . . . .	T56-36	1	*
C116-11		Carburetor packing cap . . . . .	C116-11	1	*
T56-5		Carburetor channel screw fibre washer . . . . .	T56-5	1	*
T56-15		Carburetor filter plug fibre washer . . . . .	T56-15	1	*
T61-4		Carburetor air shutter retaining cotter pin . . . . .	T61-4	1	*
CT63-9		Carburetor thrust collar taper pin . . . . .	CT63-9	1	*
T73-8		Carburetor name plate pin . . . . .	T73-8	1	*
CR147-1		Carburetor name plate . . . . .	CR147-1	1	*
CT91-1		Carburetor drain plug . . . . .	CT91-1	1	*
T1S8-10		Carburetor air shutter bracket clamp screw . . . . .	T1S8-10	1	*
C138-61		Carburetor channel screw . . . . .	C138-61	1	*
T8S8-10		Carburetor air shutter lever swivel screw . . . . .	T8S8-10	1	*
CT4S10-8		Carburetor tube clamp screw . . . . .	CT4S10-8	1	*
T8S8-7		Carburetor swivel screw . . . . .	T8S8-7	1	*
CR9-5		Carburetor throttle shaft bushing . . . . .	CR9-5	1	*
CR63-49		Carburetor pilot tube . . . . .	CR63-49	1	*
		Carburetor line and tachometer line clip . . . . .	DX4801C	1	*
		Carburetor line and tachometer line clip bolt . . . . .	DX413	1	*
		Carburetor line and tachometer line clip bolt nut . . . . .	DX416P	1	*
T-175-10585		Air cleaner assembly (United Specialties Co.) . . . . .	DX5675	1	*
		Air cleaner band bracket . . . . .	BB7801	2	*
		Air cleaner elbow . . . . .	BB7802	1	*
		Air cleaner steel tube . . . . .	BB7803	1	*
		Air cleaner hose — neoprene . . . . .	BB7804	2	*

**0301**  
**0302**  
**FUEL SYSTEM**

**PARTS LIST 4 TON 6 x 6 TRUCKS**  
**MODELS 969B; 975; 975A**

Code	Mfr. No.	Description	Order by this Number	Quantity Required	
		Air cleaner hose clamp . . . . .	BB7805	4	*
		Air cleaner front mounting bracket . . . . .	N13278F	1	*
		Air cleaner front mounting bracket — optional . . . . .	N14278F	1	
		Air cleaner rear mounting bracket . . . . .	N13278R	1	*
		Air cleaner rear mounting bracket — optional . . . . .	N14278R	1	
		Air cleaner mounting bracket bolt . . . . .	DX573	4	*
		Air cleaner mounting bracket bolt nut . . . . .	DX577	4	*
		Air cleaner mounting bracket bolt nut lockwasher . . . . .	DX255	4	*
<b>0302—Fuel Pump and Filter</b>					
	1537471	Fuel pump assembly (A.C.) . . . . .	DX5633	1	*
	1537259	Fuel pump body . . . . .	BB7901	1	*
	1522280	Fuel pump priming lever . . . . .	BB7902	1	*
	855573	Fuel pump body bottom cover . . . . .	BB7903	1	*
	855585	Fuel pump body bottom cover gasket . . . . .	17944C	1	*
	132108	Fuel pump body bottom cover screw . . . . .	17946C	3	*
	855739	Fuel pump top cover and valve seat . . . . .	17944J	1	*
	855493	Fuel pump top cover screw . . . . .	17945C	10	*
	855064	Fuel pump top cover screw lockwasher . . . . .	BB7904	10	*
	855279	Fuel pump valve . . . . .	17937C	2	*
	855281	Fuel pump valve plug . . . . .	BB7905	1	*
	855282	Fuel pump valve plug gasket . . . . .	17938C	2	*
	856270	Fuel pump valve spring . . . . .	BB7906	2	*
	855389	Fuel pump diaphragm (5 pieces) . . . . .	17941C	1	*
	1521566	Fuel pump diaphragm gasket . . . . .	17942R	1	*
	855274	Fuel pump diaphragm protector — upper . . . . .	BB7907	1	*
	1521720	Fuel pump diaphragm protector — lower . . . . .	BB7908	1	*
	855250	Fuel pump pull rod . . . . .	BB7909	1	*
	855012	Fuel pump pull rod gasket . . . . .	BB7910	1	*
	855213	Fuel pump pull rod nut . . . . .	BB7911	1	*
	855390	Fuel pump pull rod nut lockwasher . . . . .	BB7912	1	*
	855029	Fuel pump alignment washer . . . . .	BB7913	1	*
	855918	Fuel pump air dome . . . . .	BB7914	1	*
	1537397	Fuel pump rocker arm . . . . .	BB7915	1	*
	1521972	Fuel pump rocker arm pin . . . . .	BB7916	1	*
	1521288	Fuel pump rocker arm pin washer . . . . .	BB7917	1	*
	855574	Fuel pump rocker arm link . . . . .	BB7918	2	*
	855016	Fuel pump rocker arm link pin . . . . .	BB7919	2	*
	855017	Fuel pump rocker arm link pin clip . . . . .	BB7920	4	*
	855253	Fuel pump rocker arm spring . . . . .	17943C	1	*
	1521187	Fuel pump diaphragm spring . . . . .	17940C	1	*
	855532	Fuel pump spring cap . . . . .	BB7921	2	*
	854004	Fuel pump glass bowl . . . . .	17936R	1	*
	854003	Fuel pump bowl gasket . . . . .	17936C	1	*

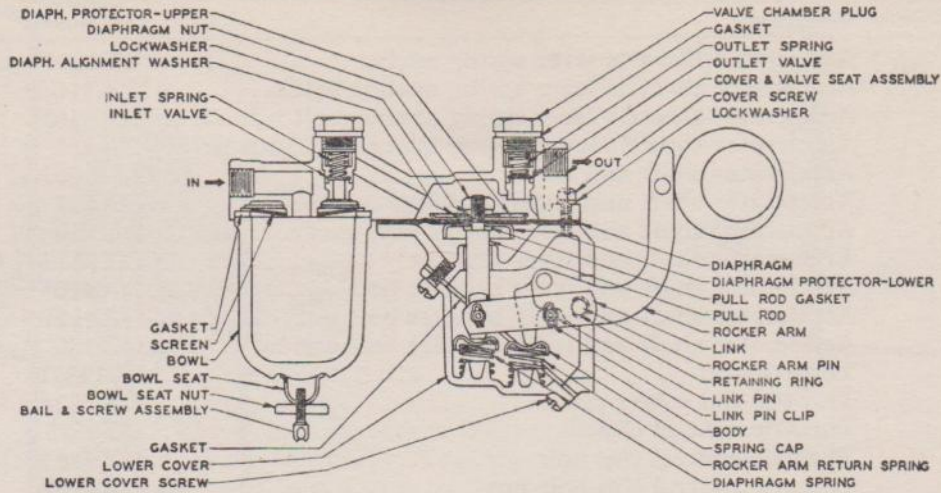


- 1. Bowl nut . . . . . BB7934
- 2. Bowl nut gasket . . . . . BB7935
- 3. Drain plug . . . . . BB7938
- 4. Filter bowl . . . . . BB7930
- 5. Bowl gasket . . . . . BB7933
- 6. Element nut . . . . . BB7937
- 7. Assembly stud . . . . . BB7936
- 8. Filter element . . . . . BB7932
- 9. Filter head . . . . . BB7931
- 10. Inlet fitting . . . . . DX5615
- 11. Outlet fitting . . . . . DX3590T

*Fuel Filter*

PARTS LIST 4 TON 6 x 6 TRUCKS  
DIAMOND T MOTOR CAR COMPANY

**0302**  
**0303**  
**FUEL SYSTEM**



Code	Mfr. No.	Description	Order by this Number	Quantity Required	
	854009	Fuel pump screen . . . . .	17939R	1	*
	854005	Fuel pump bowl seat . . . . .	17947C	1	*
	855763	Fuel pump bail thumb nut . . . . .	17948C	1	*
	854016	Fuel pump bail and screw . . . . .	17949C	1	*
	835683	Fuel pump attaching gasket . . . . .	31179F	1	*
		Fuel pump attaching screw . . . . .	DX107	2	*
		Fuel pump attaching screw lockwasher . . . . .	DX253	2	*
		Fuel pump inlet elbow . . . . .	DX3590AD	1	*
		Fuel pump outlet elbow . . . . .	DX3590AG	1	*
		Fuel pump to carburetor line (49 <sup>3</sup> / <sub>4</sub> " ) . . . . .	BB9401	1	*
		Fuel pump to carburetor line connector . . . . .	DX5615	1	*
		Fuel pump flexible line . . . . .	N11325	1	*
		Fuel pump to carburetor line clip . . . . .	DT4143AT	1	*
		Fuel pump to carburetor line loom (4" ) . . . . .	BB9451	1	*
	FR328	Fuel filter (Zenith) . . . . .	DX5614	1	*
	F8X50	Fuel filter bowl . . . . .	BB7930	1	*
	F7X122	Fuel filter head . . . . .	BB7931	1	*
	F6X12	Fuel filter element . . . . .	BB7932	1	*
	F1X10	Fuel filter bowl gasket . . . . .	BB7933	1	*
	F5X7	Fuel filter bowl nut . . . . .	BB7934	1	*
	F1X15	Fuel filter bowl nut gasket . . . . .	BB7935	1	*
	F16X27	Fuel filter assembly stud . . . . .	BB7936	1	*
	F26X3	Fuel filter element nut . . . . .	BB7937	1	*
	F36X9	Fuel filter pipe plug . . . . .	BB7938	3	*
		Fuel filter attaching bolt . . . . .	DX423	2	*
		Fuel filter attaching bolt nut . . . . .	DX577	2	*
		Fuel filter attaching bolt nut lockwasher . . . . .	DX255	2	*
		Fuel filter shut off valve . . . . .	DX5843	1	*
		Fuel filter outlet fitting . . . . .	DX3590T	1	*

**0303—Accelerator, Throttle and Choke**

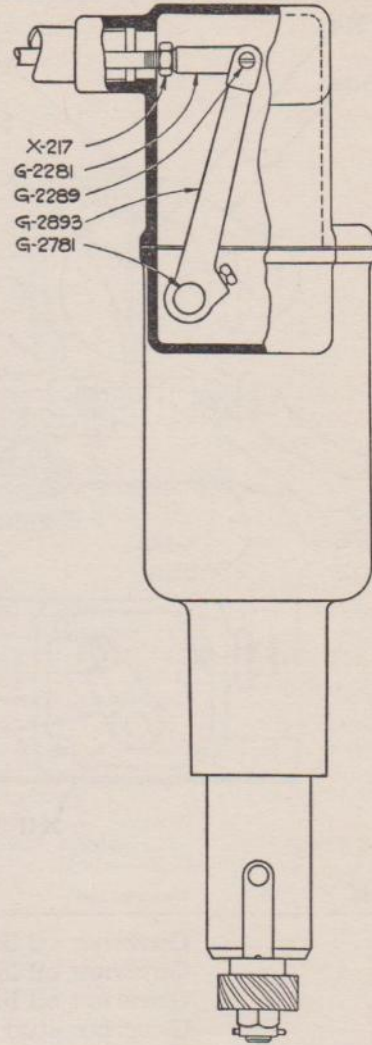
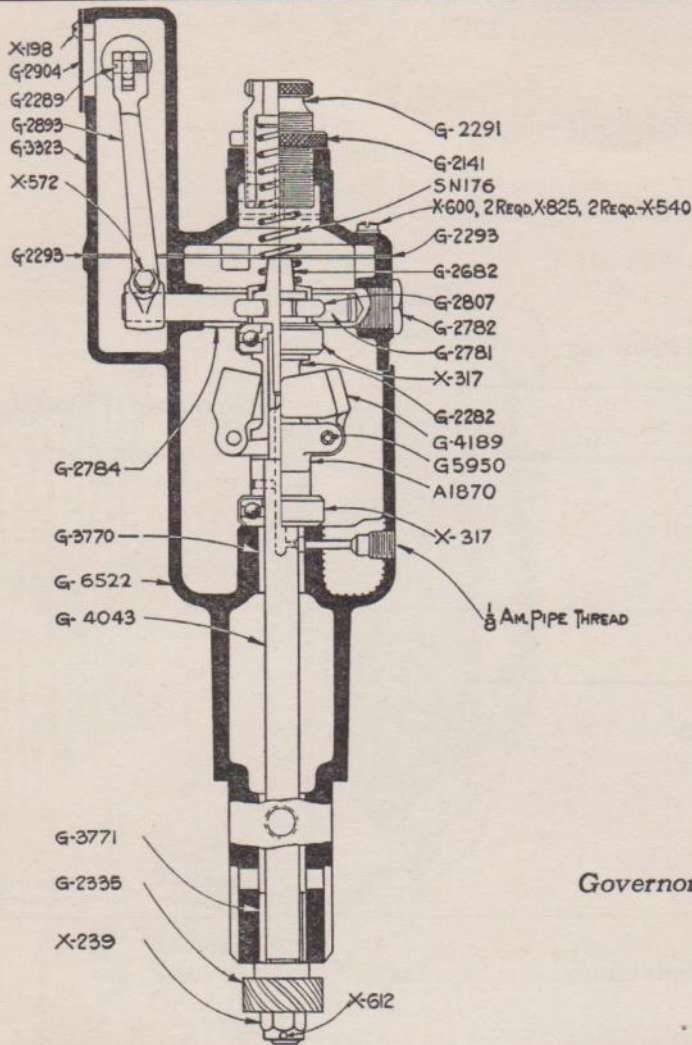
	Accelerator pedal . . . . .	N6112	1	
	Accelerator pedal bracket . . . . .	N3438	1	
	Accelerator pedal bracket pin . . . . .	N22265M	1	
	Accelerator pedal pin cotter pin . . . . .	N21265Z	1	
	Accelerator pedal bracket bolt . . . . .	N60251K	2	
	Accelerator pedal bracket bolt nut . . . . .	N16311L	2	
	Accelerator pedal bracket bolt L.W. . . . .	N7460J	2	
	Accelerator pedal rod . . . . .	N7113	1	
	Accelerator pedal rod pin . . . . .	N22265L	1	
	Accelerator pedal rod pin cotter pin . . . . .	N21265M	1	
	Accelerator throttle lever . . . . .	DT6356A	1	*
	Accelerator throttle lever clamp bolt . . . . .	DX582	1	*
	Accelerator throttle lever clamp nut . . . . .	DX581	1	*
	Accelerator throttle lever clamp bolt lockwasher . . . . .	DX256	1	*
	Accelerator throttle lever spring . . . . .	DT2236A	1	*

**PARTS LIST 4 TON 6 x 6 TRUCKS**  
**MODELS 969B; 975; 975A**

Code	Mfr. No.	Description	Order by this Number	Quantity Required	
		Accelerator throttle lever spring anchor . . . . .	DT13009	1	*
		Accelerator throttle lever spring anchor bolt . . . . .	DX416	1	*
		Accelerator throttle lever spring anchor bolt nut . . . . .	DX416P	1	*
		Accelerator throttle lever spring anchor bolt nut lw. . . . .	DX250	1	*
		Accelerator shaft and lever . . . . .	DT13002M	1	*
		Accelerator shaft and lever washer . . . . .	DX554	1	*
		Accelerator shaft and lever cotter pin . . . . .	DX213	1	*
		Accelerator shaft and lever bracket . . . . .	DT7355	2	*
		Accelerator shaft and lever bracket bolt . . . . .	DX416	4	*
		Accelerator shaft and lever bracket bolt nut . . . . .	DX416P	4	*
		Accelerator shaft and lever bracket bolt nut lw. . . . .	DX250	4	*
		Throttle rod . . . . .	N11237B	1	*
		Throttle rod cotter pin . . . . .	DX212A	2	*
		Throttle control clip . . . . .	DT3525	1	*
		Throttle control clip bolt . . . . .	DX418Y	1	*
		Throttle control clip bolt nut . . . . .	DX418K	1	*
		Throttle control clip bolt nut lockwasher . . . . .	DX250	1	*
		Throttle control . . . . .	N5600B	1	
		Carburetor choke control . . . . .	N5600C	1	
		Carburetor choke control nut . . . . .	DX637A	2	
		Carburetor choke and throttle grommet . . . . .	DX853	2	*
<b>0304—Fuel Tank Lines to Gauge</b>					
		Fuel tank to filter line (61 $\frac{3}{4}$ " . . . . .	BB9402	1	*
		Fuel tank to filter line loom (59 $\frac{3}{4}$ " . . . . .	BB9452	1	*
		Fuel tank to filter line connector . . . . .	DX5615	1	*
		Fuel tank to filter line connector nut . . . . .	DX5616A	1	*
		Fuel tank to filter line connector sleeve . . . . .	DX5616B	1	*
<b>0305—Governor</b>					
	MA1390	Governor (Pierce) . . . . .	DX5595A	1	
	VB79	Governor valve box assembly . . . . .	VB79	1	
	S2B806	Governor valve box . . . . .	S2B806	1	*
	X556	Governor valve box cover . . . . .	X556	1	*
	G2376	Governor valve box cover gasket . . . . .	G2376	1	*
	X198	Governor valve box cover screw (#6-32 rd. hd.) . . . . .	X198	4	*
	X535	Governor valve box to manifold gasket . . . . .	X535	1	*
	X628	Governor valve box to carburetor gasket (slotted) . . . . .	X628	1	*
	S2D170	Governor butterfly valve shaft . . . . .	S2D170	1	*
	G2373	Governor butterfly valve shaft lever . . . . .	G2373	1	*
	X11	Governor straight pin ( $\frac{3}{32}$ " x $\frac{3}{4}$ " . . . . .	X11	1	*
	X532	Governor welch plug ( $\frac{5}{16}$ " . . . . .	X532	1	*
	SC214	Governor butterfly valve . . . . .	SC214	1	
	X198	Governor screw (#6-32 rd. hd.) . . . . .	X198	2	*
	S2A345	Governor push rod bumper screw . . . . .	S2A345	1	*
	SN213	Governor bumper spring . . . . .	SN213	1	*
	X234	Governor screw lock nut ( $\frac{3}{8}$ "-24) . . . . .	X234	1	*
	G2903	Governor valve box and driving body conn. tube . . . . .	G2903	1	*
	G2902	Governor valve box and driving body conn. rod . . . . .	G2902	1	*
	G2280	Governor valve lever connecting rod link . . . . .	G2280	1	*
	X17	Governor valve lever connecting rod link pin ( $\frac{3}{32}$ " x $\frac{1}{16}$ " . . . . .	X17	1	*
	G2281	Governor throttle lever connecting rod link . . . . .	G2281	1	*
	X217	Governor throttle lever connecting rod link nut (hex. $\frac{1}{4}$ "-28) . . . . .	X217	1	*
	G6522	Governor body . . . . .	G6522	1	*
	G4043	Governor spider shaft . . . . .	G4043	1	*
	A1870	Governor weight spider . . . . .	A1870	1	
	G4189	Governor weight . . . . .	G4189	2	*
	G5950	Governor weight pin . . . . .	G5950	2	*
	G2282	Governor weight thrust sleeve . . . . .	G2282	1	*
	5313	Governor spider shaft thrust bearing . . . . .	X317	2	*
	G3771	Governor spider shaft lower bushing . . . . .	G3771	1	*
	G3770	Governor spider shaft upper bushing . . . . .	G3770	1	*
	G2335	Governor spider shaft driven gear . . . . .	G2335	1	*
	X461	Governor spider shaft driven gear key . . . . .	X461	1	*

PARTS LIST 4 TON 6 x 6 TRUCKS  
DIAMOND T MOTOR CAR COMPANY

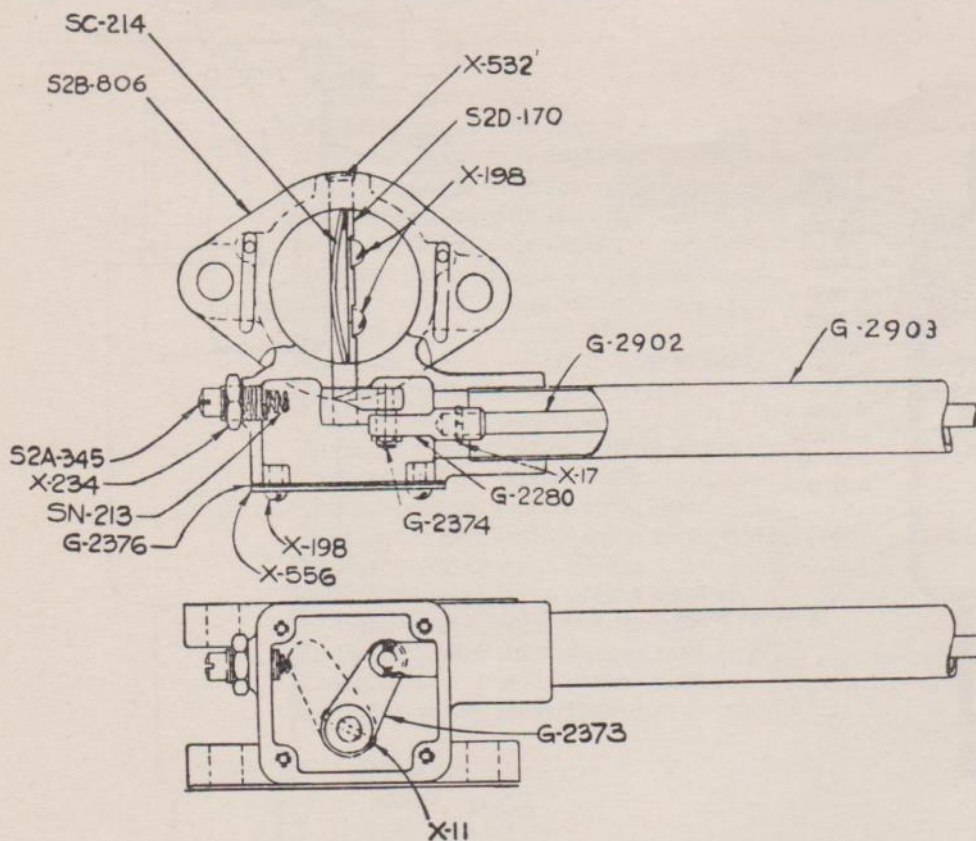
0305  
FUEL SYSTEM



Governor

Code	Mfr. No.	Description	Order by this Number	Quantity Required	
X239		Governor spider shaft nut (3/8-24 castle.)	X239	1	*
X612		Governor spider shaft cotter pin (1/8" x 3/4")	X612	1	*
SN176		Governor spring	SN176	1	
G2682		Governor spring collar	G2682	1	*
G2781		Governor rocker shaft	G2781	1	*
G2782		Governor rocker shaft bushing	G2782	1	*
G2784		Governor rocker shaft spacer	G2784	1	*
G2807		Governor rocker shaft yoke	G2807	1	*
G2893		Governor throttle lever	G2893	1	*
X572		Governor throttle lever set screw	X572	1	*
G3323		Governor body cap	G3323	1	*
G2293		Governor body gasket	G2293	1	*
G2904		Governor cover plate	G2904	1	*
X198		Governor cover plate screw (#6-32 rd. hd.)	X198	2	*
X600		Governor cover plate screw (10-24 fill. hd. 1/2")	X600	2	*
X825		Governor cover plate screw (10-24 fill. hd. 5/8")	X825	2	*
X540		Governor cover plate screw lockwasher #10	X540	4	*
G2291		Governor adjusting screw	G2291	1	*
G2141		Governor adjusting screw lock nut	G2141	1	*
G2289		Governor push rod screw	G2289	1	*
X997		Governor spider groove pin (1/8" x 3/4")	X997	1	*
X74		Governor yoke taper pin (#1 x 3/4")	X74	1	*
X454		Governor body welch plug (9/16)	X454	1	*
G2374		Governor link pin	G2374	1	*
15787 & 15788		Governor drive and driven gear	51324F	1	*
4253		Governor drive gear screw	41323F	2	*
		Governor oil line (40 1/2")	BB9202	1	*





Governor Throttle  
 Linkage Parts

Code	Mfr. No.	Description	Order by this Number	Quantity Required	
		Governor oil line nut.....	DX533AF	1	*
		Governor oil line restriction elbow.....	DX3590AF	1	*
		Governor oil line clip.....	DT4143AG	1	*
		Governor stud.....	N8277A	2	*

04 — EXHAUST

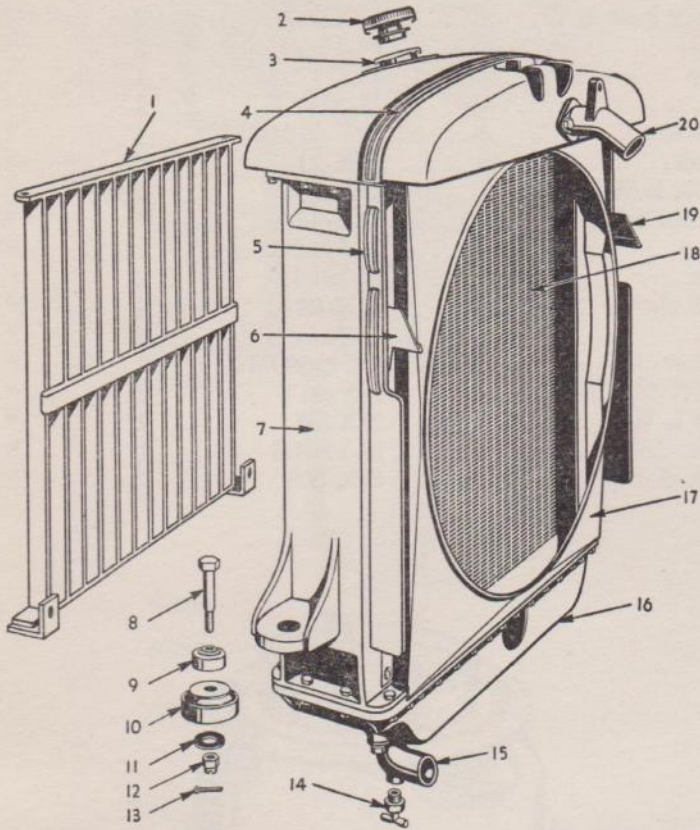
0401—Muffler

		Muffler assembly.....	N1470	1	*
		Muffler bracket—front.....	N10161	1	*
		Muffler bracket U bolt.....	N1396	1	*
		Muffler bracket U bolt nut.....	DX581	2	*
		Muffler bracket U bolt nut L.W.....	DX253	2	*
		Muffler bracket frame bolt.....	DX419A	2	*
		Muffler bracket frame bolt nut.....	DX599C	2	*
		Muffler bracket frame bolt nut L.W.....	DX257	2	*

0402—Exhaust and Tail Pipe

		Exhaust tube.....	N24159	1	*
		Exhaust manifold flange.....	BB1037	1	*
17879		Exhaust manifold flange bolt.....	N40251F	3	*
		Exhaust manifold flange bolt nut.....	DX1091B	3	*
		Exhaust manifold flange bolt L.W.....	DT444H	3	*
		Muffler tail pipe (Model 968A, 968B, 969A, 969B).....	N13107	1	*
		Muffler tail pipe (Model 970A).....	N13107A	1	*
		Muffler tail pipe bracket.....	N2254	1	*
		Muffler tail pipe bracket bolt.....	DX419A	2	*
		Muffler tail pipe bracket bolt nut.....	DX599C	2	*
		Muffler tail pipe bracket bolt nut L.W.....	DX257	2	*
		Muffler tail pipe clamp.....	N3396	1	*
		Muffler tail pipe clamp bolt.....	DX423	1	*
		Muffler tail pipe clamp bolt nut.....	DX577	1	*
		Muffler tail pipe clamp bolt nut L.W.....	DX255	1	*

05— COOLING

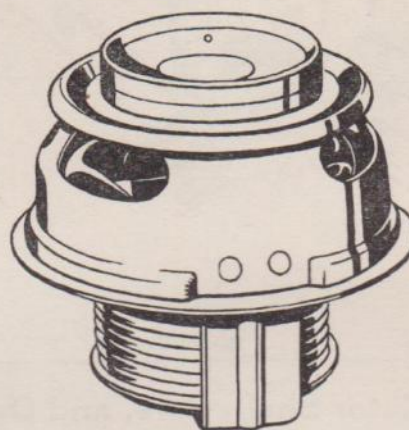
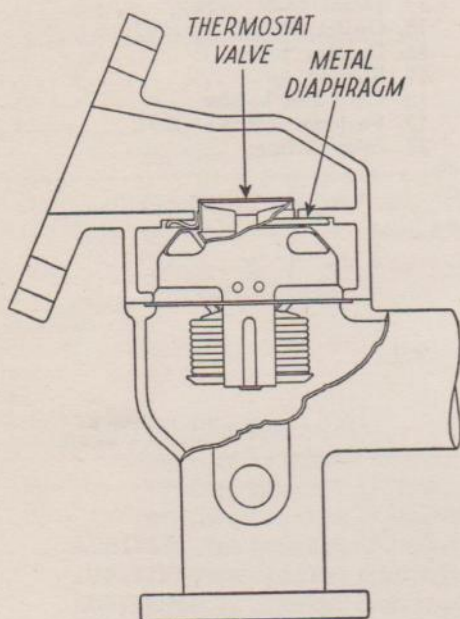


- 1. Radiator guard ..... N3469
- 2. Cap ..... DX5788
- 3. Filler neck ..... BB17404
- 4. Top lacing ..... DT3768D
- 5. Side lacing ..... N1304E
- 6. Fastener catch— L.H. .... N4387L
- 7. Side member—  
R.H. .... BB7403  
L.H. .... BB7404
- 8. Mounting bolt ..... N1135D
- 9. Insulator— upper ..... N3243A
- 10. Insulator— lower ..... N3243B
- 11. Washer ..... DT444G
- 12. Nut ..... DX1089
- 13. Cotter ..... DX215A
- 14. Drain cock ..... DX4574
- 15. Outlet fitting ..... N8163
- 16. Bottom tank ..... BB7402
- 17. Shroud ..... BB17406
- 18. Core and header ..... BB17401
- 19. Fastener catch— R.H. .... N4387R
- 20. Inlet fitting ..... N1381

Code	Mfr. No.	Description	Order by this Number	Quantity Required
<b>0501—Radiator Shell, Core, and Overflow Tank</b>				
	AD3660	Radiator assembly (Modine).....	N23162A	1
	AX5123	Radiator core and header.....	BB17401	1
	C2281	Radiator top tank.....	BB17402	1
	A12749	Radiator top tank gasket.....	BB17403	1
	C2244	Radiator bottom tank.....	BB7402	1
	A12603	Radiator bottom tank gasket.....	BB7407	1
	C2282	Radiator side member R.H.....	BB7403	1
	C2283	Radiator side member L.H.....	BB7404	1
	A12409	Radiator header bar.....	BB7405	4
	AX5125	Radiator filler neck.....	BB17404	1
	A12740	Radiator filler neck gasket.....	BB17405	1
	AX5127	Radiator fan shroud.....	BB17406	1
	A3004	Radiator bolt ( $\frac{5}{16}$ "—18" x $\frac{3}{4}$ ").....	BB7411	22
	A977	Radiator bolt ( $\frac{5}{16}$ "—18" x 1").....	BB17411	16
	A978	Radiator bolt with nut ( $\frac{5}{16}$ "—18" x 1").....	BB7412	22
	A947	Radiator bolt ( $\frac{5}{16}$ "—18" x $1\frac{1}{4}$ ").....	BB7413	12
	A950	Radiator bolt L.W. ( $\frac{5}{16}$ ").....	BB7415	72
	A7843	Radiator screw (#6 x $\frac{3}{8}$ ").....	BB17412	6
	A12419	Radiator round head bolt ( $\frac{1}{4}$ "—20" x $\frac{1}{2}$ ").....	BB7417	8
	A949	Radiator round head bolt ( $\frac{1}{4}$ "—20" x $\frac{3}{4}$ ").....	BB7419	1
		Radiator round head bolt L.W. ( $\frac{1}{4}$ ").....	DX250	9

PARTS LIST 4 TON 6 x 6 TRUCKS  
MODELS 969B; 975; 975A

Code	Mfr. No.	Description	Order by this Number	Quantity Required
		Radiator cap.....	DX-5788	1
		Radiator cap gasket.....	DX-5788A	1
		Radiator hood side fastener catch R.H.....	N-4387R	1
		Radiator hood side fastener catch L.H.....	N-4387L	1
		Radiator hood side fastener catch bolt (1/4" x 1/2").....	DX-439J	2
		Radiator hood side fastener catch bolt (1/4" x 5/8").....	DX-510	2
		Radiator hood side fastener catch bolt L.W.....	DX-250	4
		Radiator hood ledge lacing—side.....	N-1304E	2
		Radiator hood ledge lacing—top.....	DT-3768D	1
		Radiator water outlet fitting.....	N-8163	1
		Radiator water outlet fitting gasket.....	DT-4089A	1
		Radiator water outlet fitting bolt.....	DX-112	2
		Radiator water outlet fitting bolt L.W.....	DX-255	2
		Radiator water outlet fitting drain cock.....	DX-4574	1
		Radiator water outlet tube.....	N-1205K	1
		Radiator water outlet tube hose.....	N-1204F	2
		Radiator water outlet tube hose clamp.....	DX-807	4
		Radiator water inlet fitting.....	N-1381	1
		Radiator water inlet fitting gasket.....	DT-4089B	1
		Radiator water inlet fitting bolt.....	DX-112	2
		Radiator water inlet fitting bolt L.W.....	DX255	2
		Radiator water inlet fitting hose.....	N-1204G	1
		Radiator water inlet fitting hose clamp.....	DX-807	2



BB17815

0502—Thermostat

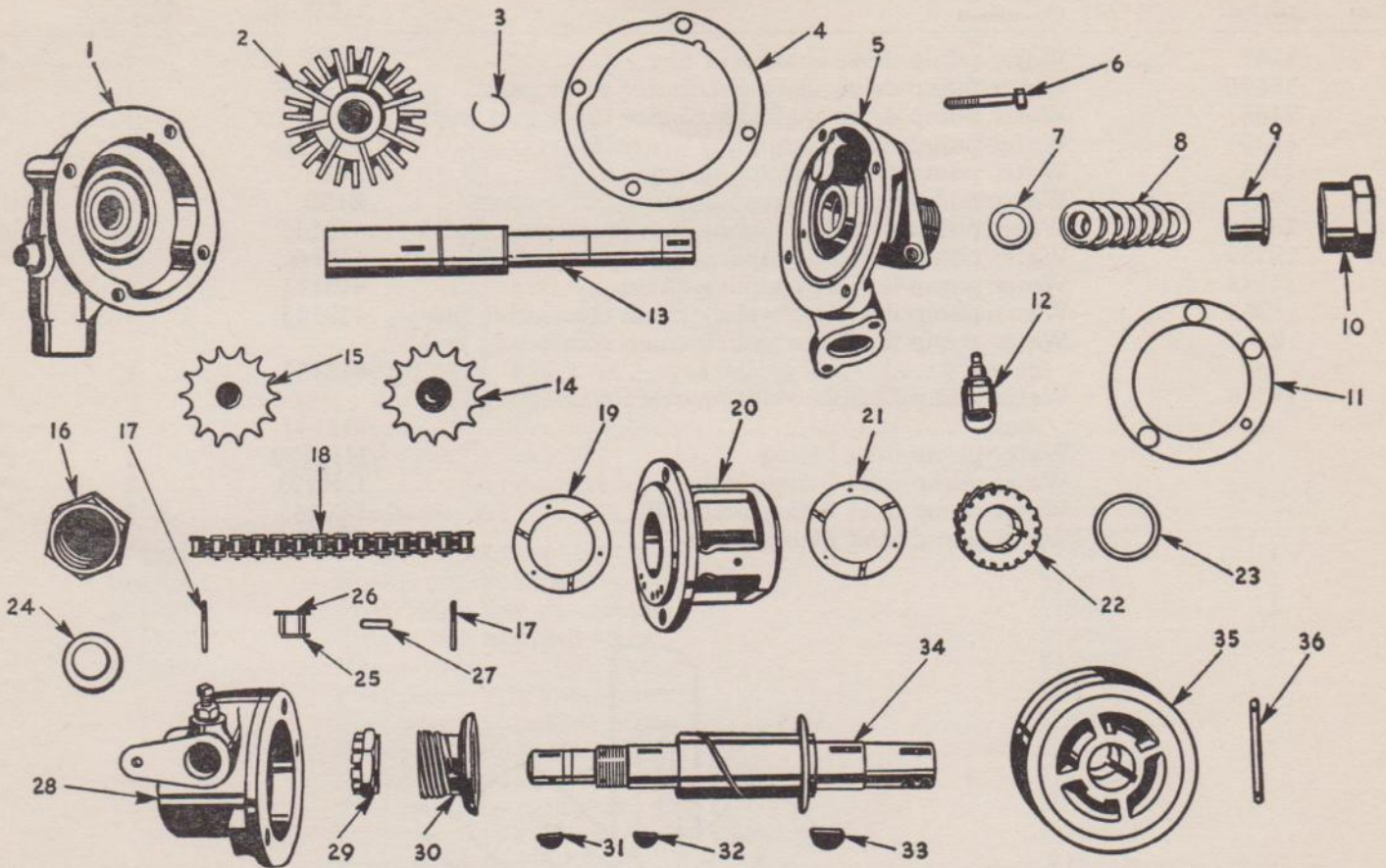
400059	Thermostat (Fulton Syphon).....	BB17815	1
	Heat Indicator (Stewart Warner).....	DX5886	1

0503—Water Pump, Fan, and Belt

16859	Water pump assembly.....	71290F	1	*
15165	Water pump impeller.....	31297F	1	*
2165	Water pump impeller key.....	Z28	1	*
15460	Water pump body.....	41291J	1	*
15465	Water pump body bushing.....	41292F	1	*
15461	Water pump cover.....	41293F	1	*
15464	Water pump cover bushing.....	41294F	1	*
15164	Water pump cover gasket.....	31295F	1	*
2083	Water pump cover screw.....	Y269	4	*
342	Water pump cover screw L.W.....	DX254	4	*
16910	Water pump shaft.....	BB1300	1	*

PARTS LIST 4 TON 6 x 6 TRUCKS  
DIAMOND T MOTOR CAR COMPANY

0503  
COOLING

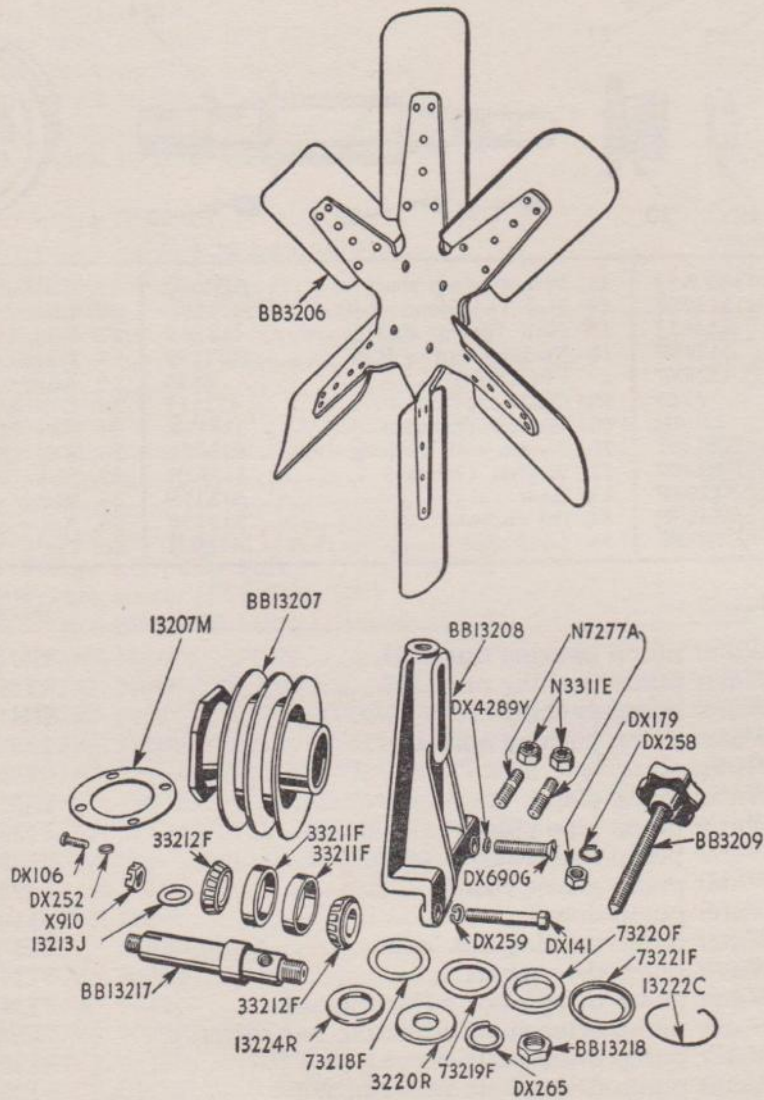


1. Water pump body . . . . .	41291J	13. Water pump shaft . . . . .	BB1300	25. Connecting link . . . . .	41312J
2. Impeller . . . . .	31297F	14. Hub (accessory shaft) . . . . .	41315C	26. Link cover . . . . .	41313J
3. Snap ring . . . . .	31301J	15. Hub (pump shaft) . . . . .	41316C	27. Link lock . . . . .	41314J
4. Cover gasket . . . . .	31295F	16. Packing nut — R.H. . . . .	BB1299	28. Distributor support housing .	31309M
5. Water pump cover . . . . .	41293F	17. Pin (hub) . . . . .	Z136	29. Adjusting nut . . . . .	31314F
6. Screw (3/8 — 16 x 2 1/4) . . . . .	Y269	18. Chain . . . . .	41311J	30. Distributor drive gear . . . . .	31313F
7. Washer . . . . .	1304R	19. Washer (bronze) . . . . .	31312R	31. Key (No. 8 Woodruff) . . . . .	Z28
8. Packing . . . . .	BB1301	20. Sleeve with bushing . . . . .	41306F	32. Key (No. 8 Woodruff) . . . . .	Z28
9. Gland . . . . .	BB1302	21. Washer (bronze) . . . . .	31312R	33. Key (No. 15 Woodruff) . . . . .	Z215
10. Packing nut — L.H. . . . .	41298F	22. Gear . . . . .	31317F	34. Water pump drive shaft . . . . .	31312F
11. Sleeve gasket . . . . .	31308F	23. Oil thrower . . . . .	31315F	35. Accessory shaft pulley . . . . .	BB1322
12. Grease cup . . . . .	1292R	24. Lead disc . . . . .	41302J	36. Pin . . . . .	1324R

Code	Mfr. No.	Description	Order by this Number	Quantity Required	
15824		Water pump packing nut R.H.	BB1299	1	*
15466		Water pump packing nut L.H.	41298F	1	*
16913		Water pump packing . . . . .	BB1301	1	*
1149		Water pump packing washer . . . . .	1304R	2	*
4309		Water pump lead disc . . . . .	41302J	1	*
16911		Water pump gland . . . . .	BB1302	1	*
61		Water pump pipe plug . . . . .	11338F	1	*
15166		Water pump snap ring . . . . .	31301J	1	*
749		Water pump grease cup . . . . .	1292R	2	*
2210		Water pump dowel . . . . .	31107F	2	*
17106		Water pump packing nut lock . . . . .	BB-1303	1	*
15099		Water pump drive shaft . . . . .	31312F	1	*
8077		Water pump drive shaft adjusting nut . . . . .	31314F	1	*
333		Water pump drive shaft adjusting nut cotter . . . . .	DX-215B	1	*
15056		Water pump drive shaft sleeve . . . . .	41306F	1	*
15048		Water pump drive shaft sleeve bushing . . . . .	31307F	1	*
15149		Water pump drive shaft sleeve gasket . . . . .	31308F	1	*
4342		Water pump drive shaft washer . . . . .	31312R	2	*
15195		Water pump drive shaft gear . . . . .	31317F	1	*
15080		Water pump drive shaft gear oil thrower . . . . .	31315F	1	*

**PARTS LIST 4 TON 6 x 6 TRUCKS  
MODELS 969B; 975; 975A**

Code	Mfr. No.	Description	Order by this Number	Quantity Required	
1247		Water pump drive shaft gear key.....	Z215	1	*
15096		Water pump drive shaft distributor drive gear.....	31313F	1	*
2165		Water pump drive shaft distributor drive gear key.....	Z28	1	*
18354		Water pump flexible coupling assembly.....	41310C	1	*
2165		Water pump flexible coupling key.....	Z28	2	*
8084		Water pump flexible coupling pin.....	Z136	2	*
18364		Water pump flexible coupling hub (accessory shaft)....	41315C	1	*
18359		Water pump flexible coupling hub (pump shaft).....	41316C	1	*
16143		Water pump flexible coupling chain.....	41311J	1	*
18361		Water pump flexible coupling chain connecting link....	41312J	1	*
18362		Water pump flexible coupling chain connecting link cover.....	41313J	1	*
18363		Water pump flexible coupling chain connecting link lock.....	41314J	1	*
		Water pump inlet fitting.....	N13158	1	*
		Water pump inlet fitting bolt.....	DX113	2	*
		Water pump inlet fitting bolt L.W.....	DX255	2	*
		Water pump inlet fitting gasket.....	DT4089A	1	*



**Fan Details**

PARTS LIST 4 TON 6 x 6 TRUCKS  
DIAMOND T MOTOR CAR COMPANY

Code	Mfr. No.	Description	Order by this Number	Quantity Required	
	A111663	Fan assembly (Schwitzer-Cummins)	DX5804	1	
	A110934	Fan mounting bracket	BB13208	1	
		Fan mounting bracket attaching stud	N7277A	2	*
		Fan mounting bracket attaching stud nut	N3311E	2	
		Fan mounting bracket cap screw—R.H.	DX141	1	
		Fan mounting bracket cap screw L.W.	DX259	1	
		Fan mounting bracket flat head screw—L.H.	DX690G	1	
		Fan mounting bracket cap screw L.W.	DX4289Y	1	
	F-06931	Fan blade	BB3206	1	*
	C3806	Fan blade attaching screw	DX106	4	*
	C594	Fan blade attaching screw L.W.	DX252	4	*
	B111546	Fan hub	BB13207	1	
	C9095	Fan hub to blade gasket	13207M	1	*
		Fan hub oil fitting	DX4051	1	*
	C110722	Fan hub adjusting screw	BB3209	1	*
	C4913	Fan hub adjusting screw jam nut	DX179	1	*
	C2675	Fan hub adjusting screw jam nut L.W.	DX258	1	*
	C6061	Fan hub rear bearing washer	73219F	1	*
	C7067	Fan hub rear bearing washer gasket	73218F	1	*
	C6062	Fan hub rear bearing oil retaining washer	73220F	1	*
	C6060	Fan hub rear bearing oil retaining washer cup	73221F	1	*
	C5098	Fan hub rear bearing oil retaining washer cup lockwire	13222C	1	*
	07098	Fan hub bearing cone	33212F	2	*
	07204	Fan hub bearing cup	33211F	2	*
	C17065	Fan hub bearing clamp washer	13213J	1	*
	C2750	Fan hub bearing clamp washer nut	X910	1	*
	C2283	Fan hub bearing clamp washer nut cotter	DX214	1	*
	C111844	Fan spindle	BB13217	1	
	C110377	Fan spindle jam nut	BB13218	1	
	C4240	Fan spindle jam nut washer	DX265	1	*
	C2736	Fan spindle clamp washer—rear	13224R	1	*
	C2662	Fan spindle clamp washer—front	3220R	1	*
		Fan belt	N1463E	2	*
	16261	Accessory shaft drive pulley	BB1322	1	*
	1674	Accessory shaft drive pulley pin	1324R	1	*
	5921	Fan pulley pin cotter	DX218B	2	*
	1247	Fan pulley key	Z215	1	*

0504—Radiator Mountings

	Radiator mounting bolt	N1135D	2	*
	Radiator mounting bolt insulator—upper	N3243A	2	
	Radiator mounting bolt insulator—lower	N3243B	2	*
	Radiator mounting bolt nut	DX1089	2	
	Radiator mounting bolt washer	DT444T	2	*
	Radiator mounting bolt cotter	DX215A	2	*
	Radiator stay rod	N33277	1	
	Radiator stay rod nut	DX1091	4	*
	Radiator stay rod L.W.	DX259	2	*
	Radiator stay rod plain washer	DX556	2	*

0505—Engine Water Fittings and Hoses

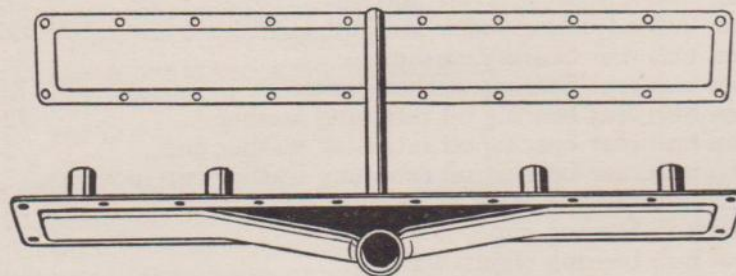


BB7772

66377	Water outlet manifold	BB7772	1	*
8179	Water outlet manifold gasket	3065J	2	*
352	Water outlet manifold attaching screw	Y285	4	*
312	Water outlet manifold attaching screw L.W.	X18	4	*
60	Water outlet manifold pipe plug	41412C	1	*

PARTS LIST 4 TON 6 x 6 TRUCKS  
MODELS 969B; 975; 975A

Code	Mfr. No.	Description	Order by this Number	Quantity Required	
66718		Thermostat housing.....	BB7822	1	*
80771		Thermostat housing gasket.....	BB7823	1	*
14885		Thermostat housing attaching screw ( $\frac{3}{8}$ " x $2\frac{3}{8}$ ").....	BB17820	2	
1911		Thermostat housing attaching screw ( $\frac{3}{8}$ " x $3\frac{1}{8}$ ").....	BB17821	2	
342		Thermostat housing attaching screw L.W.....	DX254	1	*
61		Thermostat housing pipe plug.....	11338F	1	*
11407A		Thermostat circulation seal gasket.....	BB7816	1	*
		Thermostat by-pass tube.....	N13169	1	*
		Thermostat by-pass tube hose.....	DT1048AR	2	*
		Thermostat by-pass tube hose clamp.....	DX4117	1	*
		Engine water outlet fitting.....	N1170	1	*
		Engine water outlet fitting gasket.....	DT4089F	1	*
		Water outlet fitting bolt.....	DX113	2	*
		Engine water outlet fitting bolt L.W.....	DX255	2	*
		Engine water outlet fitting bolt plain washer.....	DX554	2	*



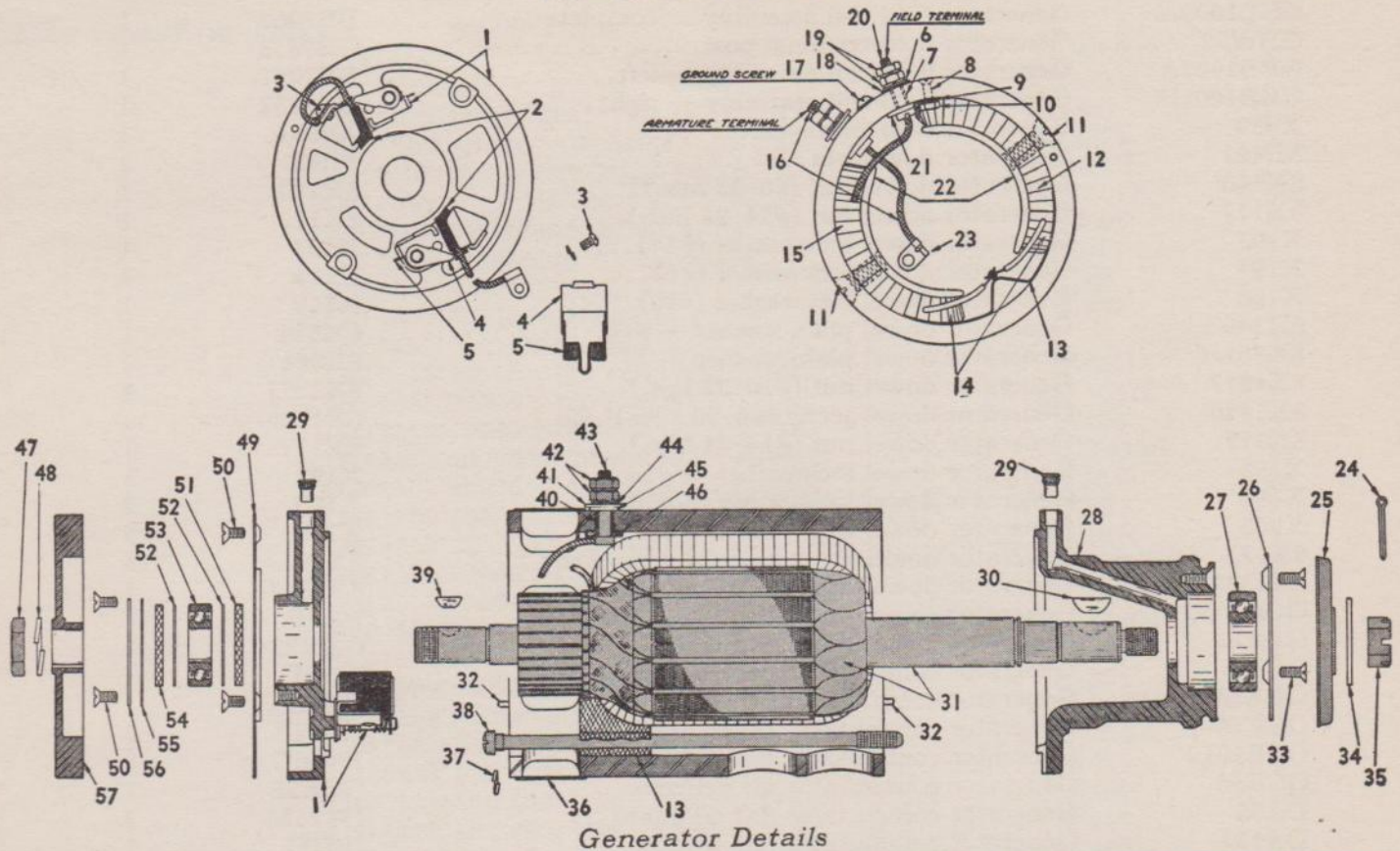
Water pump discharge manifold.....31303F



Thermostat Housing  
BB7822

15178		Water pump discharge manifold.....	31303F	1	*
15179		Water pump discharge manifold gasket.....	31304F	1	*
303		Water pump discharge manifold screw.....	Y253	20	*
615		Water pump discharge manifold washer.....	41418R	20	*
15064		Water pump discharge hose.....	31305F	1	*
4950		Water pump discharge hose clamp.....	13759R	2	*
		Air comp. intake water line.....	N49326	1	*
		Air comp. intake water connector.....	DX3590AE	1	*
		Air comp. exhaust water hose — $7\frac{1}{2}$ ".....	DX5686	1	*
		Air comp. exhaust water hose clamp.....	DX4801E	2	
		Air comp. exhaust nipple.....	DX5687	1	*
		Air comp. water pump elbow.....	DX3590U	1	*

06—ELECTRICAL



Generator Details

1. Commutator end plate assy. . . . .	7965R	20. Terminal post . . . . .	GBW58	39. Key No. 3 Woodruff . . . . .	X-258
2. Brush . . . . .	27966C	21. Terminal post bottom insulator . . . . .	GBW-67	40. Bushing . . . . .	GDD-26
3. Screw 1/4" Rd. Head . . . . .	8X-305	22. Pole piece . . . . .	GEB-29	41. Terminal post top insulator . . . . .	GAA-32
4. Brush arm . . . . .	27965F	23. Terminal . . . . .	X-847	42. Nut No. 14—24 Hex. . . . .	8X-177
5. Brush spring . . . . .	7964H	24. Cotter 1/2" x 1" . . . . .	X-404	43. Terminal post . . . . .	GEB-45
6. Plain washer No. 10 . . . . .	8X-349	25. Oil thrower . . . . .	DG-1144	44. Washer 1/4" plain . . . . .	8X-361
7. Bushing . . . . .	GDD-25	26. Bearing retainer . . . . .	GAE-47	45. Insulating washer . . . . .	GC-26
8. Screw 3/8" Fl. Hd. . . . .	8X-1420	27. Bearing N. D. 3204 . . . . .	57962R	46. Insulator . . . . .	GBW-66
9. Terminal . . . . .	X-959	28. Drive end head . . . . .	GCE-57	47. Nut . . . . .	7969C
10. Nut No. 6—32 Hex. . . . .	8X-140	29. Oiler . . . . .	X-489	48. Lockwasher . . . . .	X-864
11. Pole piece screw . . . . .	GBY-38	30. Key No. 8 Woodruff . . . . .	X-263	49. Air deflector . . . . .	GCE-55
12. Field coil — right . . . . .	BB7962	31. Armature assembly . . . . .	BB7963	50. Screw 3/8" Fl. Hd. . . . .	8X-62
13. Field connection insulator . . . . .	GAL-44	32. Dowel pin . . . . .	MN-21	51. Felt washer . . . . .	17976M
14. Field coil assy. complete . . . . .	BB7960	33. Screw 1/2" Fl. Hd. . . . .	8X-66	52. Oil guard . . . . .	17975M
15. Field coil — left . . . . .	BB7961	34. Washer 1/2" plain . . . . .	X-358	53. Bearing N. D. 203 . . . . .	17962C
16. Lead assembly . . . . .	GEB-44	35. Nut 1/2"—20 slotted . . . . .	X-157	54. Felt washer . . . . .	7977C
17. Screw 3/16" Rd. Hd. . . . .	8X-321	36. Head band . . . . .	27970C	55. Gasket . . . . .	7976J
18. Washer . . . . .	GBW-34	37. Lockwasher 3/16" . . . . .	X-203	56. Cover . . . . .	GAR-83
19. Nut No. 10—32 Hex. . . . .	8X-1377	38. Frame screw . . . . .	GBD-20A	57. Ventilating fan . . . . .	BB7964

Code	Mfr. No.	Description	Order by this Number	Quantity Required
0601—	GEW4802	Generator (Autolite) . . . . .	DX5642	1 *
	15416	Generator gear . . . . .	31289J	1 *
	GBD20A	Generator frame screw . . . . .	GBD20A	2 *
	GEB2047	Generator frame and field assembly . . . . .	GEB2047	1 *
	GAA32	Generator terminal post top insulator . . . . .	GAA32	1 *
	GAL44	Generator field connection insulator . . . . .	GAL44	1 *
	GBW34	Generator insulating washer . . . . .	GBW34	1 *
	GBW66	Generator terminal post bottom insulator . . . . .	GBW66	2 *
	GBY38	Generator pole piece screw . . . . .	GBY38	2 *
	GC26	Generator insulating washer . . . . .	GC26	1 *
	GCY25	Generator insulating bushing . . . . .	GCY25	1 *
	GCT25	Generator insulating bushing . . . . .	GCT25	1 *
	GEB29	Generator pole piece . . . . .	GEB29	2 *
	GEB44	Generator lead assembly . . . . .	GEB44	1 *
	GEB45	Generator lead terminal post . . . . .	GEB45	1 *
	X847	Generator lead terminal . . . . .	X847	1 *



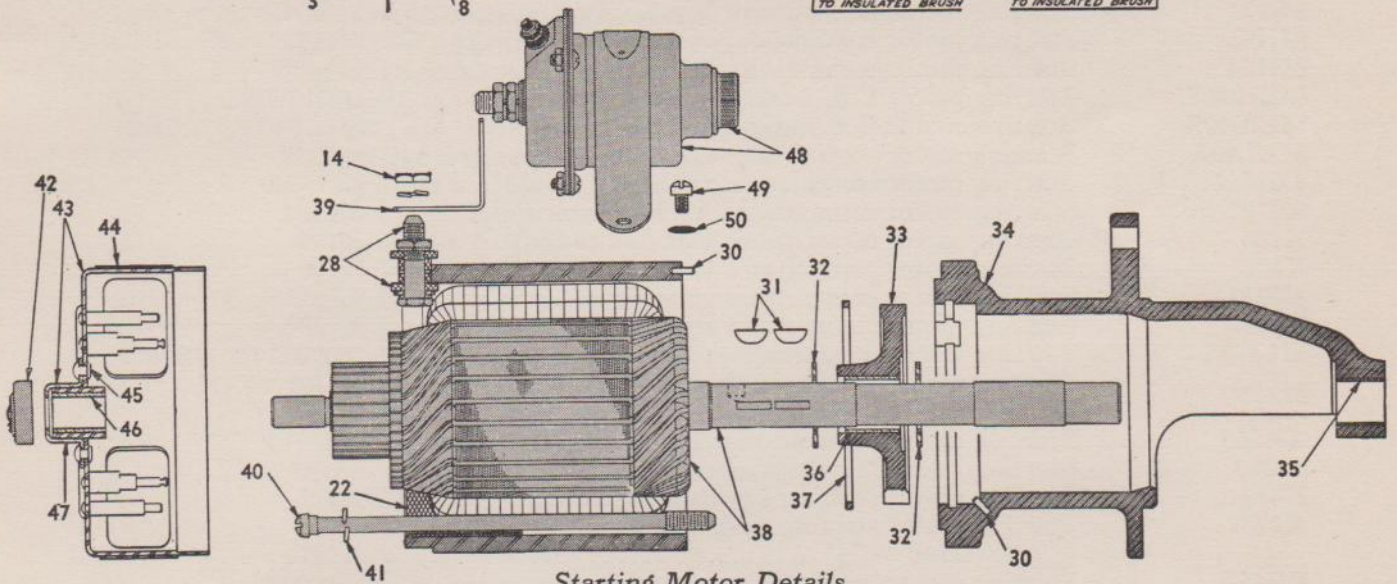
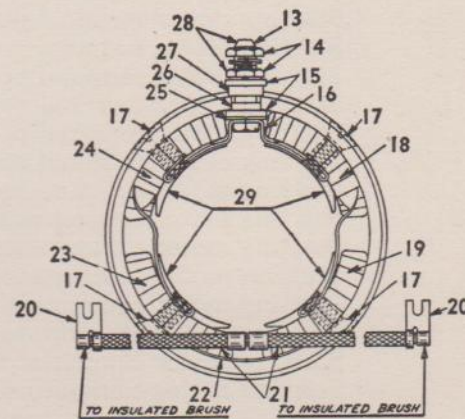
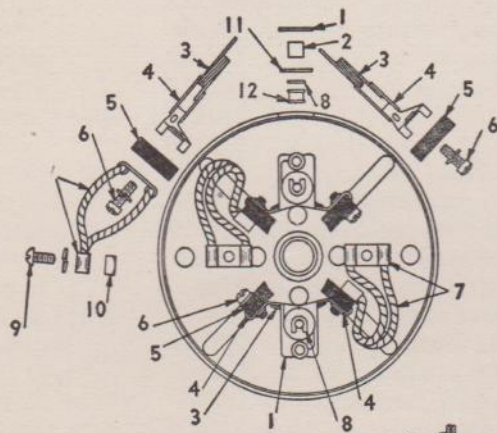
# 0601 ELECTRICAL

## PARTS LIST 4 TON 6 x 6 TRUCKS MODELS 969B; 975; 975A

Code	Mfr. No.	Description	Order by this Number	Quantity Required	
GEB1005A		Generator field coil assembly — complete.....	BB7960	1	*
GBW58		Generator field terminal post.....	GBW58	1	*
GEB1007A		Generator field coil assembly — left.....	BB7961	1	*
GEB1008B		Generator field coil assembly — right.....	BB7962	1	*
X959		Generator field terminal.....	X959	1	*
MN21		Generator dowel pin.....	MN21	2	*
8X140		Generator dowel nut (#6-32 hex.).....	8X140	1	*
8X177		Generator dowel nut (#14-24 hex.).....	8X177	1	*
X193		Generator dowel lockwasher (#14).....	X193	1	*
X194		Generator dowel lockwasher (#6).....	X194	1	*
X196		Generator dowel lockwasher (#10).....	X196	1	*
8X349		Generator dowel plain washer — #10.....	8X349	1	*
8X361		Generator dowel plain washer — 1/4".....	8X361	1	*
8X1377		Generator dowel nut (#10-32 hex.).....	8X1377	1	*
8X1420		Generator dowel screw (#6-32 x 9/16 fl. hd.).....	8X1420	1	*
8X177		Generator dowel nut (#14-24 hex.).....	8X177	1	*
X193		Generator dowel lockwasher — #14.....	X193	1	*
X196		Generator dowel lockwasher — #10.....	X196	2	*
X203		Generator dowel lockwasher — 5/16".....	X203	2	*
8X321		Generator dowel screw (#10-32 x 5/16 rd. hd.).....	8X321	1	*
8X1377		Generator dowel nut (#10-32 hex.).....	8X1377	1	*
GCE2050		Generator commutator end plate assembly.....	7965R	1	*
GAR83		Generator commutator cap cover.....	GAR83	1	*
GBJ25		Generator commutator cap cover gasket.....	7976J	1	*
GCE53		Generator commutator brush spring.....	7964H	2	*
GCE54		Generator commutator brush arm.....	27965F	2	*
GCE1012		Generator commutator main brush.....	27966C	2	*
GCE55		Generator commutator air deflector.....	GCE55	1	*
DA39		Generator commutator flat oil guard.....	17975M	2	*
DA132		Generator commutator felt washer.....	7977C	1	*
DH7		Generator commutator felt washer.....	17976M	1	*
X195		Generator commutator lockwasher #8.....	X195	1	*
8X305		Generator commutator screw (#8-32 x 1/4" rd. hd.).....	8X305	1	*
8X62		Generator commutator screw (#10-32 x 3/8" fl. hd.).....	8X62	1	*
X195		Generator commutator lockwasher #8.....	X195	1	*
ND203		Generator commutator ball bearing.....	17962C	1	*
8X305		Generator commutator screw (#8-32 x 1/4" rd. hd.).....	8X305	1	*
X489		Generator commutator oiler (1/4" press in type).....	X489	1	*
GEH2054F		Generator armature assembly.....	BB7963	1	*
GBM21		Generator armature shaft nut.....	7969C	1	*
DG1144		Generator armature oil thrower.....	DG1144	1	*
SP230		Generator armature ventilating fan.....	BB7964	1	*
X157		Generator armature nut (1/2"—20 Slotted).....	X157	1	*
X258		Generator armature woodruff key #3.....	X258	1	*
X263		Generator armature woodruff key #8.....	X263	1	*
X358		Generator armature washer—1/2" plain.....	X358	1	*
X404		Generator armature cotter pin (3/32 x 1").....	X404	1	*
X864		Generator armature lockwasher .669.....	X864	1	*
GCE1057		Generator drive end head assembly.....	7967J	1	*
GAE47		Generator drive end bearing retainer.....	GAE47	1	*
GCE57		Generator drive end head.....	GCE57	1	*
8X66		Generator drive end screw (#10-32 x 1/2" fl. hd.).....	8X66	3	*
ND3204		Generator drive end ball bearing.....	57962R	1	*
X489		Generator drive end oiler — (1/4" press in type).....	X489	1	*
GCE24C		Generator drive end head band.....	27970C	1	*
X715		Generator drive end screw (#10-32 x 1 1/4" rd. hd.).....	X715	1	*
8X794		Generator drive end nut (#10-32 square).....	8X794	1	*
GCE2012S		Generator service brush set.....	7966C	1	*
VRY4201A		Voltage regulator (Autolite).....	DX5643	1	*
		Voltage regulator mounting bolt (see group 0612).....	N46251M	4	*
		Voltage regulator mounting bolt nut (See Group 0612).....	N11311N	4	*
		Voltage regulator mounting bolt nut lockwasher (See Group 0612).....	N7460AH	4	*

**PARTS LIST 4 TON 6 x 6 TRUCKS  
DIAMOND T MOTOR CAR COMPANY**

Code	Mfr. No.	Description	Order by this Number	Quantity Required
		Voltage regulator bolt shakeproof L.W. (See Group 0612)	N25460J	4
		Voltage regulator bolt plain washer (See Group 0612)	N6460X	3
		Voltage regulator cable (See Group 0612)	N61348	1
		Voltage regulator cable shield harness clip (See Group 0612)	DT4143GG	1
<b>0602—Starting Motor</b>				
	ML4209	Starting motor assembly (Autolite)	DX5589	1
	7064	Starting motor adapter (mounting flange)	11242F	1
		Starting motor adapter bolt	DX115	3
		Starting motor adapter bolt lockwasher	DX255	3
	XA570	Starting motor series parallel switch	DX5644A	1
		Starting motor adapter switch bracket	N4376	1
		Starting motor adapter switch bracket bolt	DX105	2
		Starting motor adapter switch bracket bolt l.w.	DX253	2



*Starting Motor Details*

1. Insulator	GK-162	18. Field coil U. R.	BB7970	35. Bearing	ML-18
2. Insulator bushing	GT-35	19. Field coil L. R.	17992C	36. Bearing	17980C
3. Brush spring	17987C	20. Terminal	X-983	37. Lockspring ring	ML-95
4. Brush holder	17985C	21. Lead assembly	MO-17	38. Armature assembly	BB7971
5. Brush	17986C	22. Insulator	MR-32	39. Connector	SS-183
6. Screw 1/2" Fil. Hd.	8X-122	23. Field coil L. L.	17990C	40. Screw	MH-20
7. Ground connector	MH-53	24. Field coil U. L.	17993C	41. Lockwasher 1/16"	X-1014
8. Brush post clip	GT-41	25. Steel washer	MG-22	42. Bearing cover	MG-1084S
9. Screw 3/8" Rd. Hd.	8X-311	26. Frame insulator	MG-70	43. C. E. Head part assy.	ML-1090S
10. Nut	8X-794	27. Insulator	MG-69	44. Head band	17989F
11. Washer	GT-37	28. Terminal post assembly	MH-3028	45. Rivet 3/16" x 5/16"	8X-1452
12. Spring insulator	GT-32	29. Pole piece	MH-29	46. Bearing	17995C
13. Terminal post	MG-27	30. Dowel pin	MN-21	47. C. E. cap and bearing assy.	ML-1040S
14. Nut 3/8"—16 Hex	5X-179	31. Key No. 6 Woodruff	X-261	48. Solenoid Switch	BB7972
15. Insulating washer	MG-68	32. Plain washer 1/8"	MG-61	49. Bolt	DX105
16. Terminal post connector	MH-28	33. Intermediate plate	ML-1094A	50. Lockwasher	DX253
17. Pole piece screw	GK-38	34. Pinion housing	BB7979		

**PARTS LIST 4 TON 6 x 6 TRUCKS  
MODELS 969B; 975; 975A**

Code	Mfr. No.	Description	Order by this Number	Quantity Required	
ML2110		Starting motor frame and field assembly.....	ML2110	1	*
MH20		Starting motor frame and field screw.....	MH20	2	*
GK38		Starting motor frame and field pole piece screw.....	GK38	4	*
MH29		Starting motor frame and field pole piece.....	MH29	4	*
ML1007		Starting motor field coil — U.L.....	17993C	1	*
ML1008		Starting motor field coil — L.R.....	17992C	1	*
ML1009		Starting motor field coil — L.L.....	17990C	1	*
ML1010		Starting motor field coil — U.R.....	BB7970	1	*
MN21		Starting motor frame and field dowel pin.....	MN21	1	*
M017		Starting motor frame and field lead assembly.....	M017	1	*
X983		Starting motor frame and field lead terminal.....	X983	2	*
MR32		Starting motor frame and field connection insulator....	MR32	1	*
X1014		Starting motor frame and field lockwasher $\frac{5}{16}$ ".....	X1014	2	*
MH3028		Starting motor terminal post assembly.....	MH3028	1	*
MG22		Starting motor terminal post plain steel washer.....	MG22	1	*
MG27		Starting motor terminal post.....	MG27	1	*
MG68		Starting motor terminal post insulating washer.....	MG68	2	*
MG69		Starting motor terminal post cover insulator.....	MG69	1	*
MG70		Starting motor terminal post frame insulator.....	MG70	1	*
MH28		Starting motor terminal post connector.....	MH28	1	*
5X179		Starting motor terminal post nut ( $\frac{3}{8}$ "—16 hex.).....	5X179	2	*
X201		Starting motor terminal post lockwasher ( $\frac{3}{8}$ ".....	X201	2	*
ML2090		Starting motor commutator end head assembly.....	17994C	1	*
MG1084S		Starting motor commutator end head bearing cover....	MG1084S	1	*
GK162		Starting motor commutator brush holder insulator....	GK162	2	*
GT14		Starting motor commutator brush holder.....	17985C	4	*
GT32		Starting motor commutator spring insulator.....	GT32	2	*
GT35		Starting motor commutator insulating bushing.....	GT35	2	*
GT37		Starting motor commutator insulating washer.....	GT37	2	*
GT41		Starting motor commutator brush holder post clip....	GT41	2	*
MG74		Starting motor commutator brush spring.....	17987C	4	*
MH53		Starting motor commutator ground connector.....	MH53	2	*
MH54		Starting motor commutator brush.....	17986C	4	*
ML1090S		Starting motor C.E. head part assembly.....	ML1090S	1	*
ML1040S		Starting motor C.E. cap and bearing assembly.....	ML1040S	1	*
MAL40A		Starting motor commutator absorbent bronze bearing..	17995C	1	*
8X1452		Starting motor commutator oval head rivet ( $\frac{3}{16}$ x $\frac{5}{16}$ ".....	8X1452	4	*
8X122		Starting motor commutator fill. hd. screw (#8—32 x $\frac{1}{2}$ ".....	8X122	4	*
X195		Starting motor commutator lockwasher (#8).....	X195	4	*
X196		Starting motor commutator lockwasher (#10).....	X196	2	*
8X311		Starting motor commutator screw (#10—32x $\frac{3}{8}$ " rd. hd.).....	8X311	2	*
8X794		Starting motor commutator square nut (#10—32).....	8X794	2	*
ML2085		Starting motor armature assembly.....	BB7971	1	*
MG61		Starting motor armature plain washer— $\frac{7}{8}$ ".....	MG61	2	*
X261		Starting motor armature woodruff key—#6.....	X261	2	*
XA569		Starting motor solenoid switch (mtd. on starter).....	BB7972	1	*
SS183		Starting motor starting switch connector.....	SS183	1	*
X877		Starting motor starting switch f. h. screw ( $\frac{1}{4}$ "—20 x $\frac{5}{16}$ ".....	X877	2	*
X1272		Starting motor starting switch shakeproof lockwasher — $\frac{1}{4}$ ".....	X1272	2	*
EB45A		Starting motor bendix drive assembly.....	BB7973	1	*
EB108		Starting motor bendix drive lockwasher.....	27998C	2	*
EB4503		Starting motor bendix drive driving head.....	BB7974	1	*
EB4505		Starting motor bendix drive spring.....	BB7975	1	*
EB4506		Starting motor bendix drive head spring screw.....	BB7976	1	*
EB4507		Starting motor bendix drive shaft spring screw.....	BB7977	1	*
EB4511A		Starting motor bendix drive S.A. assembly.....	BB7978	1	*
EB4515		Starting motor bendix drive pinion back stop.....	EB4515	1	*
EB4516		Starting motor bendix drive pinion back stop screw....	EB4516	1	*
EB4519S		Starting motor bendix drive compression sleeve.....	EB4519S	1	*
GX1024F		Starting motor head-band assembly.....	17989F	1	*
ML95		Starting motor lock spring ring.....	ML95	1	*
ML1094A		Starting motor intermediate plate assembly.....	ML1094A	1	*

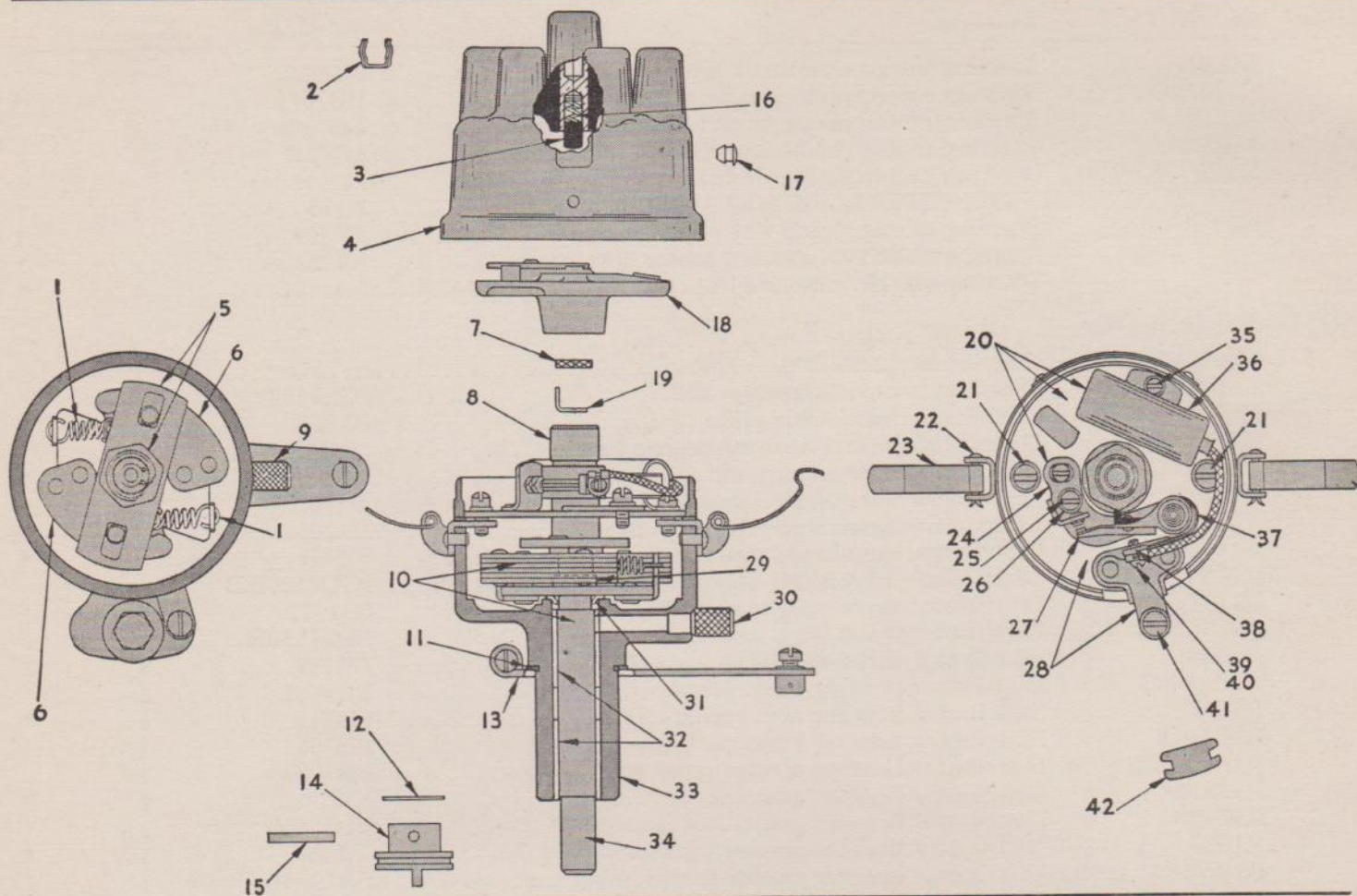
PARTS LIST 4 TON 6 x 6 TRUCKS  
DIAMOND T MOTOR CAR COMPANY

**0602**  
**0603**  
**ELECTRICAL**

Code	Mfr. No.	Description	Order by this Number	Quantity Required	
	ML21A	Starting motor absorbent bronze bearing . . . . .	17980C	1	*
	PS1081C	Starting motor pinion housing assembly . . . . .	BB7979	1	*
	ML18	Starting motor pinion bronze graphite bearing . . . . .	BB7980	1	*
	MN21	Starting motor pinion dowel pin . . . . .	MN21	1	*
	X715	Starting motor pinion dowel pin screw (#10—32 x 1¼" rd. hd.) . . . . .	X715	1	*
	8X794	Starting motor pinion dowel pin nut (#10-32 square) . . . . .	8X794	1	*
		Starting switch to starting motor wire . . . . .	N17348A	1	*
		Starting switch jumper wire . . . . .	N4348L	1	*

**0603—Distributor**

	IGC4701	Distributor (Autolite) . . . . .	N-2576	1	
	IGS2062	Distributor base assembly . . . . .	IGS2062	1	
	IG511	Distributor base name plate . . . . .	IG511	1	*
	IG579A	Distributor base absorbent bronze bearing . . . . .	17795R	2	*
	1G694	Distributor base cap spring . . . . .	17798M	2	*
	X490	Distributor base oiler—press in sleeve type . . . . .	X490	1	*
	X1201	Distributor base rivet—.10 x ¼" tubular . . . . .	X1201	2	*
	X1448	Distributor base hinge pin . . . . .	X1448	2	*
	IGC2130RB	Distributor drive shaft and governor assembly . . . . .	IGC2130RB	1	
	IG1322	Distributor drive weight assembly . . . . .	IG1322	2	*
	IGC1130R	Distributor drive shaft assembly . . . . .	IGC1130R	1	
	IGE29S	Distributor drive weight spring set . . . . .	7792W	1	*
	IGC2148C	Distributor breaker plate assembly . . . . .	BB7981	1	
	IG676	Distributor breaker arm spring clip . . . . .	17801F	1	*
	IGC1148	Distributor breaker plate part assembly . . . . .	BB7982	1	
	IGP3028FS	Distributor breaker service point set . . . . .	BB7983	1	
	IGP3028	Distributor breaker arm . . . . .	IGP3028	1	*
	IGC1149	Distributor breaker point . . . . .	IGC1149	1	
	IGP30	Distributor breaker service arm spring . . . . .	7805W	1	*
	IGW3139	Distributor breaker condenser assembly . . . . .	BB7984	1	
	8X181	Distributor breaker brass washer—#6 . . . . .	8X181	1	
	8X302	Distributor breaker screw (#6-32 x ¼" rd. hd.) . . . . .	8X302	1	*
	8X350	Distributor breaker washer—#8 plain . . . . .	8X350	1	
	8X884	Distributor breaker screw (#8-32 x ⅜" fill. hd.) . . . . .	8X884	1	
	X1012	Distributor breaker lockwasher—#6 . . . . .	X1012	2	*
	8X1546	Distributor breaker screw (#6-32 x ⅝" fill. hd.) . . . . .	8X1546	1	*
	IG90	Distributor thrust washer . . . . .	IG90	1	*
	IG94	Distributor H.T. wire terminal . . . . .	17853C	7	*
	IG644A	Distributor drive coupling . . . . .	17805C	1	
	IG680	Distributor lock spring ring . . . . .	IG680	1	
	IG816C	Distributor thrust washer . . . . .	IG816C	1	*
	IG2902F-4	Distributor advance control arm assembly . . . . .	IG2902F-4	1	*
	IGC117	Distributor terminal slot cover . . . . .	IGC117	1	
	IGC1107S	Distributor cap assembly . . . . .	BB7985	1	
	IG515	Distributor cap contact spring . . . . .	17798C	1	*
	IG514	Distributor cap contact spring plunger . . . . .	17797C	1	*
	IGS32	Distributor cap rubber plug . . . . .	IGS32	1	
	IGH28	Distributor cam sleeve felt wick . . . . .	IGH28	1	
	IGS99	Distributor washer . . . . .	IGS99	1	*
	IGS104	Distributor thrust washer . . . . .	1GS104	1	*
	IGS1016B	Distributor rotor . . . . .	BB7986	1	
	IGS1100RR	Distributor cam and stop plate R.H. . . . .	IGS1100RR	1	
	SW213	Distributor drive rivet . . . . .	SW213	1	
	X196	Distributor lockwasher—#10 . . . . .	X196	3	*
	8X870	Distributor screw (#10-32 x ⅝" fill. hd.) . . . . .	8X870	2	*
	8X872	Distributor screw (#10-32 x ¼" fill. hd.) . . . . .	8X872	1	*
	16507C	Distributor support housing . . . . .	31309M	1	*
	15149A	Distributor support housing gasket . . . . .	31308F	1	*
	1701A	Distributor support housing screw . . . . .	31106F	1	*
	312A	Distributor support housing screw lockwasher . . . . .	DX258	2	*
	4550A	Distributor support housing oil seal . . . . .	31311F	1	*
	8942A	Distributor support housing screw . . . . .	31106R	1	*



1. Weight spring . . . . .	7792W	15. Rivet . . . . .	SW213	29. Washer . . . . .	IGS99
2. Terminal . . . . .	17853C	16. Contact spring . . . . .	17798C	30. Oiler . . . . .	X490
3. Contact plunger . . . . .	17797C	17. Rubber plug . . . . .	IGS32	31. Thrust washer . . . . .	IGS104
4. Distributor cap . . . . .	BB7985	18. Rotor . . . . .	BB7986	32. Bronze bearing . . . . .	17795R
5. Cam and stop plate, R.H. . . . .	IGS1100RR	19. Lock spring ring . . . . .	IG680	33. Distributor base assembly . . . . .	IGS2062
6. Drive weight assembly . . . . .	IG1322	20. Breaker plate assembly . . . . .	BB7981	34. Drive shaft assembly . . . . .	IGC1130R
7. Wick . . . . .	IGH28	21. Screw (#10-32 x 3/16" fill. hd.) . . . . .	8X870	35. Screw (#6-32 x 3/16" fill. hd.) . . . . .	8X1546
8. Cam and stop plate, R.H. . . . .	IGS1100RR	22. Pin . . . . .	X1448	36. Condenser . . . . .	BB7984
9. Oiler . . . . .	X490	23. Distributor cap spring clip . . . . .	17798M	37. Breaker service arm spring . . . . .	7805W
10. Drive shaft and governor assy. . . . .	IGC2130RB	24. Breaker point . . . . .	IGC1149	38. Spring clip . . . . .	17801F
11. Thrust washer . . . . .	IG816C	25. Screw (#8-32 x 3/16" fill. hd.) . . . . .	8X884	39. Round head screw . . . . .	8X323
12. Thrust washer . . . . .	IG90	26. Washer (#8 plain) . . . . .	8X350	40. Washer . . . . .	8X181
13. Advance control arm assembly . . . . .	IG2902F-4	27. Breaker arm . . . . .	IGP3028	41. Screw (#10-32 x 1/4" fill. hd.) . . . . .	8X872
14. Drive coupling . . . . .	17805C	28. Breaker plate part assembly . . . . .	BB7982	42. Terminal slot cover . . . . .	IGC117

Code	Mfr. No.	Description	Order by this Number	Quantity Required	
	300A	Distributor hole plug screw lock nut . . . . .	X46	1	*
	15097A	Distributor driven gear . . . . .	31318F	1	*
	4489A	Distributor housing screw . . . . .	DX141	1	*
	4632A	Distributor copper washer . . . . .	41237J	1	*
	15096A	Distributor drive gear . . . . .	31313F	1	*
	2165A	Distributor drive gear key . . . . .	Z28	1	*
		Tachometer adapter . . . . .	DX5596A	1	*
		Spark control bracket . . . . .	N2419	1	*
		Spark control bracket clamp . . . . .	DT3734A	1	*
		Spark control bracket clamp bolt . . . . .	DX418Y	1	*
		Spark control bracket clamp bolt nut . . . . .	DX418K	1	*
		Spark control bracket clamp bolt nut l.w. . . . .	DX250	1	*
		Spark control . . . . .	N5600A	1	*
		Spark control retaining nut . . . . .	DX637A	1	*
		Spark control grommet . . . . .	DX853	1	*
<b>0604—Ignition Coil and Wiring — Spark Plugs, Ignition Lock</b>					
	IG4070-H	Coil (Autolite) . . . . .	DX5795	1	
		Coil mounting bracket . . . . .	N1549	1	
		Coil mounting bracket shakeproof L.W. . . . .			
		(See Group 0612) . . . . .	N25460N	1	

**PARTS LIST 4 TON 6 x 6 TRUCKS  
DIAMOND T MOTOR CAR COMPANY**

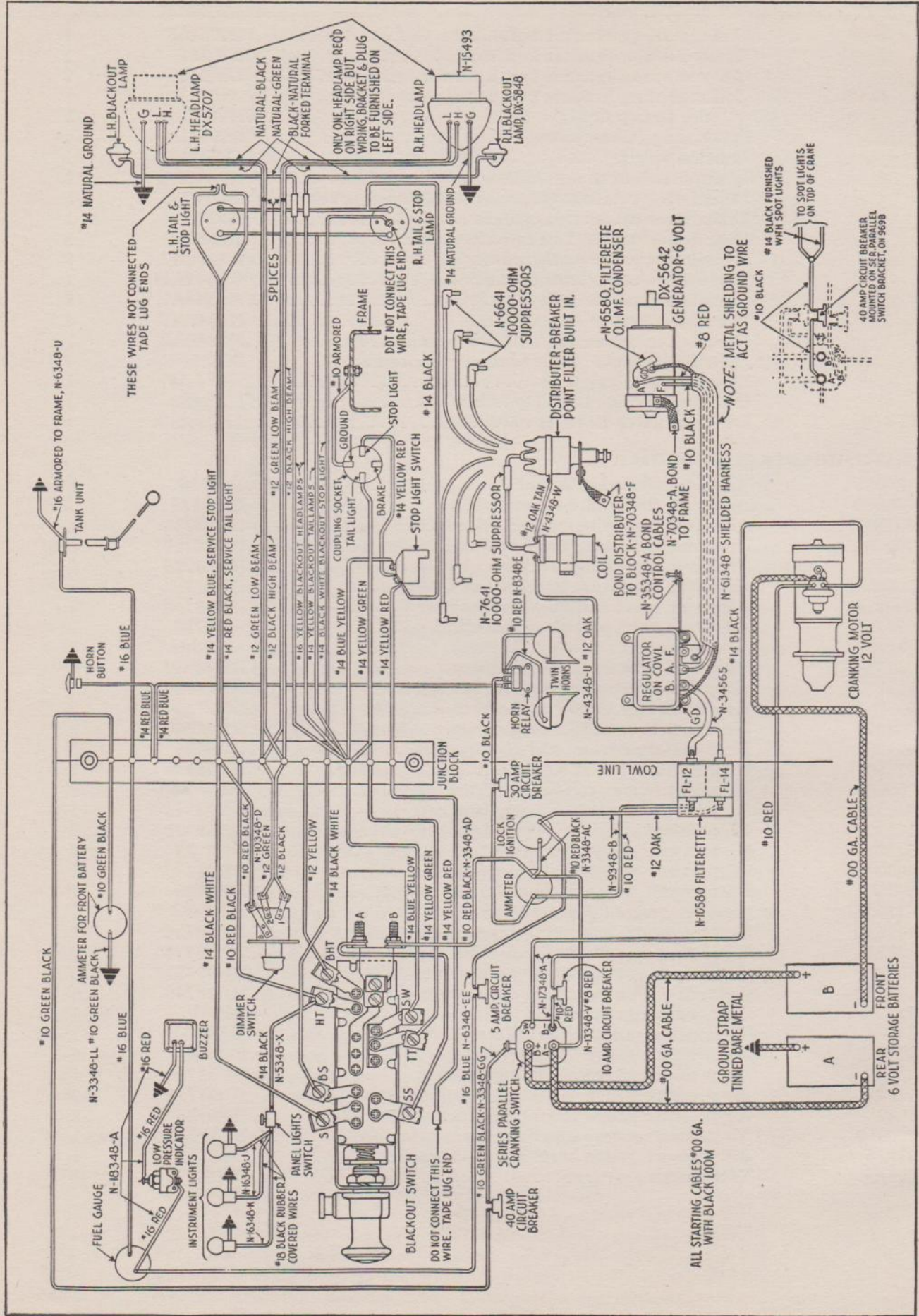
**0604  
0605  
ELECTRICAL**

Code	Mfr. No.	Description	Order by this Number	Quantity Required
		Coil mounting bracket bolt.....	DX586F	2
		Coil mounting bracket bolt nut.....	DX581	2
		Coil mounting bracket bolt nut lockwasher.....	DX253	2
		Coil mounting bracket bolt shakeproof L.W. (See Group 0612).....	N25460J	2
J10		Spark plug (Champion).....	DX5818	6
		Ignition switch.....	DX4219A	1
		Ignition switch to ammeter wire.....	N3348AC	1
		Distributor cable set (Made up of following seven wires)	BB18755	1
		Distributor cable—1st cylinder.....	N2348Y	1
		Distributor cable—2nd cylinder.....	N2348Z	1
		Distributor cable—3rd cylinder.....	N2348AA	1
		Distributor cable—4th cylinder.....	N2348AB	1
		Distributor cable—5th cylinder.....	N2348AC	1
		Distributor cable—6th cylinder.....	N2348AD	1
		Distributor cable—high tension wire.....	N2348AE	1
		Distributor cable—high tension wire insulator.....	DX3208	2
		Distributor to coil wire.....	N4348W	1
		Distributor cable bushing.....	DX2833	1
		Ignition switch tumbler.....	DX5801A	1

\*  
\*

**0605—Instruments and Carrier**

400056		Ammeter (Stewart Warner).....	DX5882	1
440008		Ammeter for front battery.....	DX5883	1
102228		Ammeter mounting bracket (for DX5883).....	BB28735	1
90068		Ammeter mounting bracket (for DX5882).....	BB28717	2
12372		Ammeter mounting bracket nut (hex. #10-32).....	BB28728	4
5052		Ammeter mounting bracket nut L.W.....	BB8735	4
400070		Ammeter bezel and glass assembly.....	BB28740	2
97776		Ammeter bezel and glass gasket.....	BB8725	2
400059		Heat indicator (Stewart Warner).....	DX5886	1
93291		Heat indicator mounting bracket.....	BB28734	1
12372		Heat indicator mounting bracket nut (hex. #10-32).....	BB28728	2
5052		Heat indicator mounting bracket nut L.W.....	BB8735	2
400070		Heat indicator bezel and glass assembly.....	BB28740	1
97776		Heat indicator bezel and glass gasket.....	BB8725	1
90389		Heat indicator adapter.....	BB28738	1
400060		Oil pressure gauge (Stewart Warner).....	DX5884	1
93291		Oil pressure gauge mounting bracket.....	BB28734	1
12372		Oil pressure gauge mounting bracket nut.....	BB28728	2
5052		Oil pressure gauge mounting bracket nut L.W.....	BB8735	2
400070		Oil pressure gauge bezel and glass assembly.....	BB28740	1
97776		Oil pressure gauge bezel and glass gasket.....	BB8725	1
441002		Gasoline gauge (Stewart Warner).....	DX5885	1
402650		Gasoline gauge mounting bracket and bushing assy.....	BB28736	1
12372		Gasoline gauge mounting bracket nut (hex. #10-32).....	BB28728	2
5052		Gasoline gauge mounting bracket nut L.W.....	BB8735	2
400070		Gasoline gauge bezel and glass assembly.....	BB28740	1
97776		Gasoline gauge bezel and glass gasket.....	BB8725	1
S806A		Viscometer gauge (Visco-Meter Corp.).....	DX5931	1
400057		Air pressure gauge (Stewart Warner).....	DX5887	1
93291		Air pressure gauge mounting bracket.....	BB28734	1
12372		Air pressure gauge mounting bracket nut.....	BB28728	2
5052		Air pressure gauge mounting bracket nut L.W.....	BB8735	2
400070		Air pressure gauge bezel and glass assembly.....	BB28740	1
97776		Air pressure gauge bezel and glass gasket.....	BB8725	1
424BE		Tachometer.....	DX6037	1



*Wiring diagram shows color and wire size of each lead.*

**PARTS LIST 4 TON 6 x 6 TRUCKS  
DIAMOND T MOTOR CAR COMPANY**

**060  
060  
ELECTRICAL**

Code	Mfr. No.	Description	Order by this Number	Quantity Required
	400456	Tachometer mounting bracket . . . . .	BB8736	1
	17641	Tachometer mounting bracket wing nut . . . . .	BB8737	2
	5052	Tachometer mounting bracket wing nut lockwasher . . . . .	BB8735	2
	400458	Tachometer bezel and glass assembly . . . . .	BB28714	1
	106300	Tachometer shaft . . . . .	DX5606	1
	106334	Tachometer casing (48") . . . . .	BB8717	1
	36796	Tachometer core (48") . . . . .	BB8718	1
	400290	Tachometer lock . . . . .	DX5806A	1
	106162	Tachometer lamp socket . . . . .	BB8715	1
		Instrument panel light socket . . . . .	DX5888	3
		Instrument panel light hood . . . . .	DX5889	3
		Instrument panel light contact washer . . . . .	DX5890	3
		Instrument panel light insulating washer . . . . .	DX5891	3
		Instrument panel light spring . . . . .	DX5892	3
		Instrument panel light wire . . . . .	N16348J	2
		Instrument panel light wire — Tachometer . . . . .	N16349K	1
		Instrument panel light bulb . . . . .	DX4478A	3
		Instrument panel light wire grommet . . . . .	DT4161A	1

**0606—Light Switches, Cables, Wiring Harness**

		Lighting switch . . . . .	N15594	1
		Lighting switch knob . . . . .	DX5932	1
		Lighting switch bushing . . . . .	N4479	1
		Lighting switch mounting nut . . . . .	N41311	1
		Lighting switch mounting nut lockwasher . . . . .	N22460	1
		Instrument panel light switch . . . . .	DX5906	1
		Instrument panel light switch knob . . . . .	DX5907	1
	1997008	Dimmer switch . . . . .	DX5897	1
		Dimmer switch screw . . . . .	DX418F	2
		Dimmer switch screw lockwasher . . . . .	DX250	2
		Wiring harness (Cowl) . . . . .	N45342A	1
		Wiring harness (Chassis) (Model 969B) . . . . .	N34342C	1
		Wiring harness (Chassis) (Models 975 and 975A) . . . . .	N38251A	1
		Wiring harness (Foot control) . . . . .	N10348D	1
		Wiring harness (Buzzer and pressure gauge) . . . . .	N18348A	1
		Junction block . . . . .	N1477	1
		Junction block bolt . . . . .	DX418	2
		Junction block bolt nut . . . . .	DX416H	2
		Junction block bolt nut lockwasher . . . . .	DX251A	2
	3604	Trailer coupling socket — 4 contact . . . . .	DX5814	1
	11935B	Trailer coupling socket cover . . . . .	BB8495	1
		Headlamp wire clip bolt . . . . .	N60251W	4
		Headlamp wire clip bolt nut . . . . .	N16311R	4
		Series parallel to spotlight wire . . . . .	N3348KK	1
		Series parallel to circuit breaker wire . . . . .	N3348JJ	1
		Spot light circuit breaker . . . . .	DX5738C	1
		Spot light circuit breaker bolt . . . . .	DX5744A	2
		Spot light circuit breaker bolt nut . . . . .	DX418NN	2
		Spot light loom (110") . . . . .	N4348X	2
		Spot light wire clip (7/16") . . . . .	DX2287G	4
		Spot light wire clip (1/4") . . . . .	DX2287D	4
		Spot light wire clip bolt and nut . . . . .	DX504	8
		Spot light wire clip bolt and nut lockwasher . . . . .	DX251A	8
		Light switch to ammeter wire . . . . .	N3348AD	1
		Circuit breaker to ammeter wire . . . . .	N3348AB	1
		Fuel gauge circuit breaker . . . . .	DX5738A	1
		Fuel gauge circuit breaker bolt . . . . .	DX5744A	2
		Parallel switch circuit breaker . . . . .	DX5738C	1
		Parallel switch circuit breaker bolt . . . . .	DX5744A	2
		Parallel switch circuit breaker bolt nut . . . . .	DX418NN	2
		Parallel switch and starter motor circuit breaker . . . . .	DX5738C	1
		Parallel switch and starter motor circuit breaker bolt . . . . .	DX5744A	2
		Parallel switch and starter motor circuit breaker bolt nut . . . . .	DX418NN	2

Model  
969B



PARTS LIST 4 TON 6 x 6 TRUCKS  
MODELS 969B; 975; 975A

Code	Mfr. No.	Description	Order by this Number	Quantity Required
		Ignition switch to circuit breaker wire.....	N6348EE	1
		Fuel gauge to circuit breaker wire.....	N6348FF	1
		Series parallel to circuit breaker wire.....	N3348GG	1
		Ground to circuit breaker wire.....	N3348HH	1
		Fuel tank unit to ground wire.....	N6348U	1
<b>0607—Headlamps, Sealed Beams</b>				
	1017-A	Headlamp (Guide Lamp).....	N15493	1
		Headlamp mounting nut.....	DX599C	2
		Headlamp mounting nut lockwasher.....	DX257	2
	107334	Headlamp bulb.....	BB8796	1
	5932202	Headlamp body assy.....	18747F	1
	5932205	Headlamp moulding.....	18741F	2
	922690	Headlamp moulding screw.....	18752J	2
	5933925	Headlamp mask.....	BB8784	1
	5932227	Headlamp wiring and connector (Model 969B).....	18753J	1
	5930055	Headlamp loom.....	18744F	2
	919145	Headlamp loom clip.....	18745F	2
	804463	Headlamp rubber sleeve.....	18743F	6
	1867669	Headlamp spade terminal.....	18748F	4
	1867662	Headlamp eyelet terminal.....	18749F	2
	922295	Headlamp grommet.....	18746F	4
	5932207	Headlamp retaining ring.....	18742F	2
	924552	Headlamp retaining screw.....	18751J	6
	5933927	Headlamp reflector.....	BB8782	1
	5933869	Headlamp reflector gasket.....	BB8783	1
	917065	Blackout marker lamp.....	DX5848	2
		Blackout marker lamp connector.....	DX5005	2
	5933122	Blackout marker lamp door assy.....	BB28772	2
	5933075	Blackout marker lamp door gasket.....	BB28773	2
	5932419	Blackout marker lamp door screw.....	BB8746	2
	5933156	Blackout marker lamp body assy.....	BB28770	2
	1878192	Blackout marker lamp terminal wire.....	BB28771	2
		Blackout marker lamp terminal wire clip.....	DT4143AS	4
	142303	Blackout marker lamp bulb 3 CP-6-8 volt.....	8105R	2
		Headlamp bracket.....	N10174	2
		Headlamp bracket gasket.....	N7235	2
		Headlamp bracket bolt.....	DX423A	2
		Headlamp bracket bolt.....	DX573	4
		Headlamp bracket bolt washer — Plain.....	DX554	2
		Headlamp bracket bolt lockwasher.....	DX255	6
		Headlamp bracket wire grommet.....	DT4161E	2
	709A	Spotlight (R. E. Dietz) (Olive drab).....	DX5827	2
	129	Spotlight door complete with lens (Olive drab).....	BB8749	2
	145	Spotlight rim (Olive drab).....	BB8750	2
	149	Spotlight clear lens.....	BB8751	2
	146	Spotlight reflector.....	BB8752	2
	150	Spotlight reflector gasket.....	BB8753	2
	151	Spotlight door retainer — rim part (Olive drab).....	BB8754	2
	152	Spotlight door retainer — body part (Olive drab).....	BB8755	2
	153	Spotlight door retainer screw (Olive drab).....	BB8756	2
		Spotlight mounting bolt.....	DX578	4
		Spotlight mounting bolt nut DX581 — lockwasher.....	DX253	4
		Spotlight bulb.....	DX5457	2
<b>0608—Tail Lamp</b>				
	927226	Stop and tail lamp R.H.....	DX5847	1
	5933231	Stop and tail lamp body assembly R.H.....	BB28760	1
		Stop and tail lamp nut.....	DX175	3
		Stop and tail lamp nut lockwasher.....	DX250	3
		Stop and tail lamp connector cap & loom assy.....	DX5809	2

Model  
969B

PARTS LIST 4 TON 6 x 6 TRUCKS  
DIAMOND T MOTOR CAR COMPANY

**0608**  
**0610**  
**ELECTRICAL**

Code	Mfr. No.	Description	Order by this Number	Quantity Required	
		Stop and tail lamp connector cap plug bushing-single...	DX5809A	2	
		Stop and tail lamp connector cap contact.....	DX5673A	2	
	5933055	Stop and tail lamp door.....	BB28763	1	
	5933069	Stop and tail lamp door screw.....	BB28764	2	
	5933121	Stop lamp black-out unit assembly.....	BB28762	1	
	927226	Stop and tail lamp L.H.....	DX5847	1	
	5933231	Stop and tail lamp body assembly.....	BB28760	1	
		Stop and tail lamp nut.....	DX175	3	
		Stop and tail lamp lockwasher.....	DX250	3	
		Stop and tail lamp connector cap & loom assy.....	DX5809	4	
		Stop and tail lamp connector cap plug bushing-single..	DX5809A	2	
		Stop and tail lamp connector cap contact.....	DX5673A	2	
	5933055	Stop and tail lamp door.....	BB28763	1	
	5933069	Stop and tail lamp screw.....	BB28764	2	
	5933121	Stop lamp black-out unit assembly.....	BB28762	1	
	5933078	Tail lamp black-out unit assembly.....	BB28761	1	
<b>0609—Horn</b>					
	1880391	Dual horn assembly.....	DX5375	1	*
		Dual horn mounting bolt.....	DX416	7	*
		Dual horn mounting bolt nut.....	DX416P	7	*
		Dual horn mounting bolt nut lockwasher.....	N18460F	7	*
	6069A	Dual horn relay circuit breaker (30 amp.).....	DX5738B	1	*
		Dual horn relay circuit breaker bolt.....	DX5744A	2	*
	465312	Dual horn button assembly.....	DX4906	1	*
	7246-96"	Dual horn button cable and terminal assembly.....	34360W	1	*
	450029	Dual horn button only.....	34370W	1	*
	029037	Dual horn button contact cup.....	34372W	1	*
	401081	Dual horn button contact cup spring.....	34373W	1	*
	029031	Dual horn button contact cup pilot.....	34375W	1	*
	454895	Dual horn button base plate assembly.....	34368W	1	*
	022020	Dual horn button base plate screw.....	34369W	3	*
	051025	Dual horn button wire bushing.....	DX5317D	1	*
	401082	Dual horn button spring.....	34365W	1	*
	029032	Dual horn button spring cup.....	DX5317F	1	*
<b>0610—Battery, Starting Cables and Connections</b>					
		Battery (Exide).....	DX5792A	2	
		Battery ground cable.....	DX4763	1	*
		Battery to starter switch cable — negative.....	N12348NN	1	*
		Battery to starter switch cable — positive.....	N12348MM	1	*
		Battery to starting motor cable.....	N12348LL	1	*
		Battery shield cable grommet.....	DX4637	3	*
		Battery carrier.....	N15157A	1	
		Battery carrier to step hanger bolt.....	DX685	2	*
		Battery carrier to step hanger bolt nut.....	DX176	2	*
		Battery carrier to step hanger bolt nut lockwasher....	DX253	2	*
		Battery hold down clamp.....	N5108A	1	
		Battery hold down clamp bolt nut.....	DX586DD	2	*
		Battery hold down clamp bolt nut lockwasher.....	DX253	2	*
		Battery shield (Models 975 and 975A).....	N4422A	1	
		Battery shield (Model 969B).....	N5422	1	
		Battery shield to frame bolt — top.....	DX599D	5	*
		Battery shield to frame bolt nut.....	DX599E	5	*
		Battery shield to frame bolt nut lockwasher.....	DX250	5	*
		Battery shield to frame bolt nut plain washer.....	DX552	5	*
		Battery shield to frame spacer — front.....	DT1148BT	1	*
		Battery shield to frame spacer bolt.....	DX439F	1	*
		Battery shield to frame spacer bolt plain washer.....	DX552	1	*
		Battery shield to frame spacer bolt lockwasher.....	DX250	1	*
		Battery shield to frame spacer bolt nut.....	DX599E	1	*
		Battery shield to frame spacer — rear.....	DT1148CF	1	*

PARTS LIST 4 TON 6 x 6 TRUCKS  
MODELS 969B; 975; 975A

Code	Mfr. No.	Description	Order by this Number	Quantity Required	
		Battery shield to frame spacer bolt . . . . .	DX424	1	*
		Battery shield to frame spacer bolt nut . . . . .	DX577	1	*
		Battery shield to frame spacer bolt nut plain washer . . . . .	DX554	1	*
		Battery shield to frame spacer bolt nut lockwasher . . . . .	DX255	1	*
		Battery shield to step hanger bolt . . . . .	DX578	2	*
		Battery shield to step hanger bolt plain washer . . . . .	DX553	2	*
		Battery shield to step hanger bolt lockwasher . . . . .	DX253	2	*
		Battery shield to step hanger bolt nut . . . . .	DX581	2	*
		Battery shield scuff plate . . . . .	N3178R	1	*
		Battery shield scuff plate bolt . . . . .	DX418LL	14	*
		Battery shield scuff plate bolt nut . . . . .	DX586B	14	*
		Battery shield tumbler and lock . . . . .	DX5802	2	

0612—Radio Supression Equipment

		Dash filterette . . . . .	N10580	1	
		Dash filterette bolt . . . . .	N42251E	3	
		Dash filterette bolt nut . . . . .	N12311Q	3	
		Dash filterette bolt shakeproof lockwasher . . . . .	N25460E	4	
		Dash filterette bolt lockwasher . . . . .	N7460AH	3	
		Dash filterette terminal plain washer . . . . .	N6460BB	1	
		Regular filterette . . . . .	N5580	1	
		Regular filterette shakeproof lockwasher . . . . .	N25460J	1	
		Generator filterette . . . . .	N6580	1	
		Generator to regulator shield harness . . . . .	N61348	1	
		Generator to regulator shield harness clip . . . . .	DT4143GG	1	
		Voltage regulator bolt . . . . .	N46251M	4	
		Voltage regulator bolt lockwasher . . . . .	N7460AH	4	
		Voltage regulator bolt nut . . . . .	N11311N	4	
		Voltage regulator bolt shakeproof lockwasher . . . . .	N25460J	4	
		Voltage regulator bolt plain washer . . . . .	N6460X	3	
		Dash filter to ammeter wiring harness . . . . .	N9348B	1	
		Coil mounting bracket shakeproof lockwasher . . . . .	N25460N	1	
		Coil mounting bolt shakeproof lockwasher . . . . .	N25460J	2	
		Regulator "B" to regulator filter jumper strap clip . . . . .	N34565	1	
		Series parallel switch to ammeter jumper wire . . . . .	N13348V	1	
		Dash jumper wire clip . . . . .	N3565D	1	
		Dash jumper wire clip . . . . .	N3565J	1	
		Transmission jumper wire clip . . . . .	DT4143T	2	
		Coil to dash filter jumper wire . . . . .	N4348U	1	
		Coil to dash filter jumper wire clip . . . . .	N3565A	1	
		Coil to dash filter jumper wire clip bolt . . . . .	N60251NN	1	
		Coil to dash filter jumper wire clip bolt nut . . . . .	N16311D	2	
		Coil to dash filter jumper wire clip bolt lockwasher . . . . .	N7460V	2	
		Coil to distributor jumper wire . . . . .	N4348W	1	
		Coil to distributor jumper wire clip . . . . .	DT4143AS	2	
		Coil to distributor jumper wire clip lockwasher . . . . .	N7460AB	1	
		Spark plug suppressor (10,000 to 15,000 ohms) . . . . .	N6641	6	
		Distributor suppressor (10,000 to 15,000 ohms) . . . . .	N7641	1	
		Compressor Suppressor (10,000 to 15,000 ohms) wrecker only . . . . .	N7641	1	
		Instrument cable bond assembly . . . . .	N35458B	2	
		Instrument cable bond assembly shakeproof lockwasher . . . . .	N25460F	1	
		Instrument cable bond assembly plain washer . . . . .	N6460V	1	
		Cylinder head to cylinder head bond plate . . . . .	N31565	1	
		Cylinder head to cylinder head bond plate shakeproof lockwasher . . . . .	N25460N	2	
		Cylinder head to dash bond assembly . . . . .	N70348F	1	
		Cylinder head to dash bond assembly bolt . . . . .	N60251GG	1	
		Cylinder head to dash bond assembly bolt nut . . . . .	N16311D	1	
		Cylinder head to dash bond assembly bolt shakeproof lockwasher . . . . .	N25460H	1	
		Cylinder head to dash bond assembly bolt lockwasher . . . . .	N7460V	1	
		Cylinder head to dash bond assembly shakeproof L.W. . . . .	N25460N	1	

PARTS LIST 4 TON 6 x 6 TRUCKS  
DIAMOND T MOTOR CAR COMPANY

**0612  
ELECTRICAL**

Code	Mfr. No.	Description	Order by this Number	Quantity Required
		Distributor to block bond assembly.....	N70348F	1
		Distributor to block bond assembly shakeproof L.W....	N25460N	1
		Distributor bond assembly shakeproof lockwasher.....	N25460H	1
		Distributor bond assembly bolt.....	N60251M	1
		Distributor bond assembly bolt nut.....	N16311D	1
		Distributor bond assembly bolt lockwasher.....	N7460V	1
		Bellhousing to frame bond assembly.....	N70348K	1
		Bellhousing to frame bond assembly shakeproof L.W....	N25460N	1
		Bellhousing bond assembly shakeproof lockwasher.....	N25460L	1
		Compressor line to frame bond assembly.....	N70348B	1
		Compressor line to frame bond assembly cup.....	N37565	1
		Compressor line to frame bond assembly clip bolt.....	N60251M	1
		Compressor line to frame bond assembly clip bolt nut..	N16311D	1
		Compressor line to frame bond assembly clip bolt plain washer.....	N6460V	2
		Compressor line to frame bond assembly clip bolt lockwasher.....	N7460V	1
		Compressor line to frame bond assembly clip bolt Shakeproof lockwasher.....	N25460H	2
		Oil pan to front axle bond assembly.....	N70348L	1
		Oil pan to front axle bond assembly shakeproof L.W....	N25460N	2
		Steering column shakeproof lockwasher.....	N25460N	3
		Radiator to frame rail bond assembly.....	N70348A	2
		Radiator to frame rail bond assembly bolt.....	N48251F	2
		Radiator to frame rail bond assembly bolt shakeproof lockwasher.....	N25460H	4
		Radiator bond assembly bolt.....	N60251NN	2
		Radiator bond assembly bolt nut.....	N16311D	2
		Radiator bond assembly bolt shakeproof lockwasher....	N25460H	2
		Radiator bond assembly bolt lockwasher.....	N7460V	2
		Cowl to frame bond assembly.....	N70348F	2
		Cowl to frame bond assembly bolt.....	N48251F	2
		Cowl to frame bond assembly bolt shakeproof L.W....	N25460H	4
		Cowl bond assembly bolt.....	N40251GG	2
		Cowl bond assembly bolt nut.....	N12311C	2
		Cowl bond assembly bolt shakeproof lockwasher.....	N25460N	4
		Throttle and choke wire bond assembly.....	N35458A	1
		Throttle and choke wire bond assembly shakeproof lockwasher.....	N25460B	1
		Throttle and choke wire bond assembly lockwasher....	N7460S	1
		Throttle and choke wire bond assembly plain washer...	N6460X	2
		Hood top to side bond assembly.....	N70348B	2
		Hood top to side bond assembly bolt — hood top.....	N48251B	1
		Hood top to side bond assembly bolt nut.....	N12311A	1
		Hood top to side bond assembly bolt shakeproof L.W.	N25460H	1
		Hood top to side bond assembly bolt lockwasher.....	N7460V	1
		Hood top to side bond assembly bolt — hood side....	N60251M	2
		Hood top to side bond assembly bolt nut.....	N16311D	2
		Hood top to side bond assembly bolt shakeproof L.W.	N25460H	2
		Hood top to side bond assembly lockwasher.....	N7460V	2
		Hood top to radiator tie rod bond assembly.....	N70348A	1
		Hood top to radiator tie rod bond assembly clip.....	DT4143H	1
		Hood top to radiator tie rod bond assembly clip bolt...	N60251M	1
		Hood top to radiator tie rod bond assembly clip bolt nut.....	N16311D	1
		Hood top to radiator tie rod bond assembly clip bolt lockwasher.....	N7460V	1
		Hood to cowl bolt shakeproof lockwasher.....	N25460H	2
		Hood to radiator bolt shakeproof lockwasher.....	N25460H	2
		Hood side clip bond.....	N30565	2
		Hood side clip bond bolt.....	N60251M	4
		Hood side clip bond bolt nut.....	N16311D	4
		Hood side clip bond bolt shakeproof lockwasher.....	N25460F	4

**PARTS LIST 4 TON 6 x 6 TRUCKS  
MODELS 969B; 975; 975A**

Code	Mfr. No.	Description	Order by this Number	Quantity Required
		Hood side clip bond bolt lockwasher . . . . .	N7460V	4
		Fender shield clip bond . . . . .	N29565	2
		Fender shield clip bond bolt . . . . .	N60251M	4
		Fender shield clip bond bolt nut . . . . .	N16311D	4
		Fender shield clip bond bolt shakeproof lockwasher . . . . .	N25460F	4
		Fender shield clip bond bolt lockwasher . . . . .	N7460V	4
		Generator to frame bond assembly . . . . .	N70348A	1
		Generator to frame bond assembly bolt — generator . . . . .	N60251M	1
		Generator to frame bond assembly bolt nut . . . . .	N16311D	1
		Generator to frame bond assembly bolt shakeproof L.W. . . . .	N25460H	1
		Generator to frame bond assembly bolt lockwasher . . . . .	N7460V	1
		Generator to frame bond assembly bolt—fender shield . . . . .	N48251F	1
		Generator to frame bond assembly bolt shakeproof L.W. . . . .	N25460H	1
		Fender to fender shield shakeproof lockwasher . . . . .	N25460F	4

**07 — TRANSMISSION**

**0700—Transmission**

326V0-18	Transmission complete with clutch housing (Clark) . . . . .	DX5600	1	*
----------	---	--------	---	---

**0701—Transmission Case and Clutch Housing**

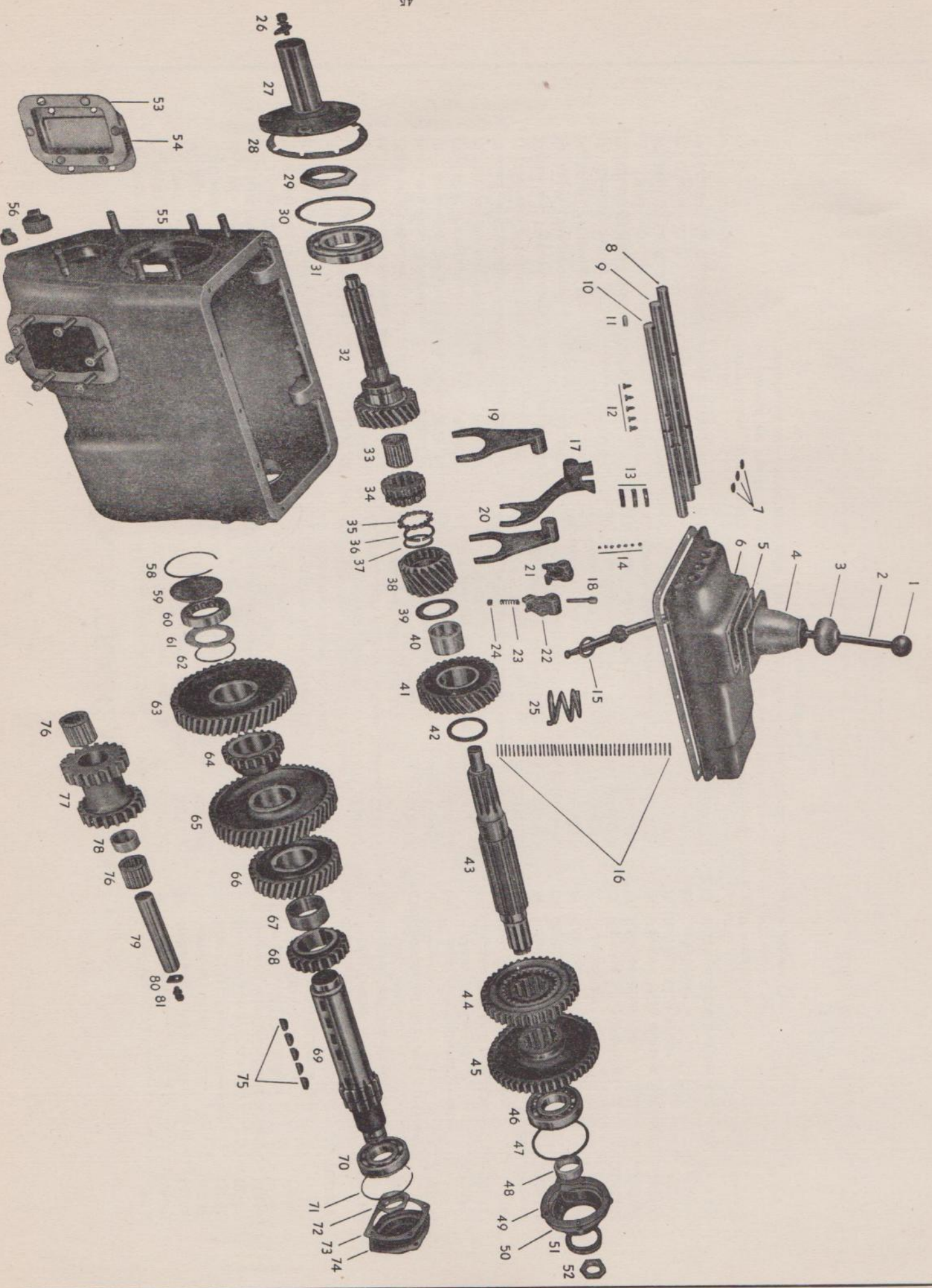
50470	Clutch housing . . . . .	BB2000	1	*
2010	Clutch housing hand hole cover . . . . .	42010C	1	*
7A400	Clutch housing hand hole cover screw . . . . .	16329F	2	*
	Clutch housing hand hole cover lockwasher . . . . .	X14	2	*
1079	Clutch housing stud — to transmission case . . . . .	22304R	4	*
1080	Clutch housing stud — lower . . . . .	22305R	2	*
10A900	Clutch housing stud nut . . . . .	X39	6	*
1A900	Clutch housing stud lockwasher . . . . .	X09	6	*
1569	Clutch housing throwout yoke . . . . .	32006C	1	*
2522	Clutch housing throwout yoke shaft—short . . . . .	42004F	1	*
4645	Clutch housing throwout yoke shaft—long . . . . .	BB2001	1	*
1966	Clutch housing throwout yoke shaft bushing (in hsg.) . . . . .	16481C	4	*
1607	Clutch housing throwout yoke screw . . . . .	32008R	2	*
1553	Clutch housing throwout yoke lockwire . . . . .	12393R	2	*
4A11	Clutch housing throwout yoke shaft Woodruff key . . . . .	Z211	1	*
1632	Clutch throwout bearing carrier spring . . . . .	12096C	1	*
DT3433	Clutch throwout bearing carrier spring clip . . . . .	12097F	1	*
50860	Transmission case and clutch housing assembly . . . . .	BB2101	1	*
11A2000	Transmission case filler plug . . . . .	R110	1	*
1120	Transmission case drain plug . . . . .	42309C	1	*
	P.T.O. cover plate . . . . .	2106F	1	*
	P.T.O. cover plate gasket . . . . .	2107F	1	*
	Clutch housing to engine bellhousing bolt . . . . .	DX113	10	*
	Clutch housing to engine bellhousing bolt lockwasher . . . . .	DX255	10	*
4917	Shifting box—only . . . . .	BB2115	1	*
1280	Shifting box to case gasket . . . . .	BB2116	1	*
7A608	Shifting box screw . . . . .	Y264	12	*
1A600	Shifting box lockwasher . . . . .	X16	12	*
2891	Shifting lever cover . . . . .	52375F	1	*
2733	Shifting lever to shift box gasket . . . . .	42376R	1	*
7A608	Shifting lever cover screw . . . . .	Y264	4	*
1A600	Shifting lever cover screw lockwasher . . . . .	X16	4	*

**0702—Transmission Gears**

4914	Main drive gear . . . . .	BB2102	1	*
1241	Main shaft 1st and reverse sliding gear . . . . .	BB2109	1	*
3429	Main shaft 2nd and 3rd sliding gear . . . . .	12336J	1	*
3425	Main shaft direct and overdrive clutch hub . . . . .	22350J	1	*
3431	Main shaft 3rd speed loose gear . . . . .	22337J	1	*
51163	Main shaft overdrive gear and bushing . . . . .	22340J	1	*
3419	Countershaft and low speed gear . . . . .	12351J	1	*

PARTS LIST 4 TON 6 x 6 TRUCKS  
DIAMOND T MOTOR CAR COMPANY

TRANSMISSION



MAIN TRANSMISSION

1. Shift Lever Knob .....	12420R	30. Bearing Retaining Ring .....	Not Serviced	56. Filler Plug .....	R110
2. Shift Lever .....	BB2123	31. Main Drive Gear Bearing .....	12315J	57. Drain Plug .....	42309C
3. Dust Cover .....	BB2124	32. Main Drive Gear (24 Teeth) .....	BB2102	58. Retaining Ring .....	12363J
4. Shift Lever Cover .....	52375F	33. Mainshaft Spigot Bearing .....	BB2106	59. Retaining Disc .....	12362J
5. Gasket .....	42376R	34. Direct and Overdrive Clutch Hub (16-18 Teeth) .....	22350J	60. Front Countershaft Bearing .....	12361J
6. Shift Box .....	BB2115	35. Overdrive Gear Retaining Washer .....	22345J	61. Bearing Spacer .....	12359J
7. Welch Plugs .....	42399R	36. Overdrive Gear Bearing Retaining Ring .....	12349J	62. Countershaft Gear Snap Ring .....	12357J
8. 1st and Reverse Shift Rod .....	BB2119	37. Overdrive Gear Shims (.003) .....	12348J	63. Countershaft Drive Gear (47 Teeth) .....	22356J
9. Direct and Overdrive Shift Rod .....	BB2121	38. Mainshaft Overdrive Gear .....	22340J	64. Power Take-Off Drive Gear (23 Teeth) .....	BB2112
10. 2nd and 3rd Shift Rod .....	BB2120	39. Mainshaft 3rd Speed Loose Gear Retaining Washer .....	12344J	65. Countershaft Overdrive Gear (51 Teeth) .....	22355J
11. Interlock Pin .....	42394R	40. Mainshaft Overdrive Gear Bushing .....	22341J	66. Countershaft 3rd Speed Gear (36 Teeth) .....	22354J
12. Fork Locking Screws .....	12392R	41. Mainshaft 3rd Speed Loose Gear (34-26 Teeth) .....	22337J	67. Countershaft 2nd and 3rd Gear Spacer .....	12353J
13. Poppet Springs .....	42397R	42. Locating Washer .....	12338J	68. Countershaft 2nd and Reverse Gear (20 Teeth) .....	12352J
14. Poppet and Interlock Balls .....	Z06	43. Mainshaft .....	12325J	69. Countershaft and Low Speed Gear .....	12351J
15. Support Washer .....	42416C	44. 2nd and 3rd Speed Sliding Gear (39 Teeth) .....	12336J	70. Rear Countershaft Bearing .....	12365J
16. Loose Gear Rollers .....	BB2110	45. 1st and Reverse Sliding Gear (47 Teeth) .....	BB2109	71. Retainer Ring .....	Not Serviced
17. Direct and Overdrive Shift Fork .....	BB2118	46. Mainshaft Rear Bearing .....	12334J	72. Retaining Nut .....	BB2113
18. Latch Plunger .....	42385C	47. Rear Bearing Retainer .....	Not Serviced	73. Gasket .....	12369J
19. 1st and Reverse Shift Fork .....	BB2117	48. Spacer .....	BB2111	74. Countershaft Bearing Cap .....	12368J
20. 2nd and 3rd Shift Fork .....	BB2117	49. Gasket .....	BB2125	75. Countershaft Keys .....	Z2E
21. 2nd and 3rd Shift Lug .....	42383C	50. Rear Bearing Cap .....	BB2108	76. Reverse Idler Bearing .....	BB2106
22. 1st and Reverse Shift Lug .....	BB2122	51. Rear Bearing Oil Seal .....	12332J	77. Reverse Idler Gear .....	12370J
23. Latch Plunger Spring .....	42386R	52. Companion Flange Nut .....	12333J	78. Reverse Idler Bearing Spacer .....	12372J
24. Latch Adjusting Nut .....	X65	53. Gasket .....	2107F	79. Reverse Idler Shaft .....	12374J
25. Support Spring .....	42418C	54. P.T.O. Cover Plate .....	2106F	80. Lock Plate .....	12375C
26. Clutch Release Spring Clip and Bolt .....	12097F	55. Transmission Housing .....	BB2101	81. Screw and Lockwasher .....	Y264
27. Main Drive Gear Bearing Cap .....	BB2104				
28. Gasket .....	BB2105				
29. Main Drive Gear Retaining Nut .....	BB2103				

NOTE: Some of the early transmissions in this series are equipped with a shift stop collar to prevent an overshift in direct gear which may allow the interlock pin to work out of its position in the center shift rail. On later models, a change in the control cover makes this part unnecessary.

PARTS LIST 4 TON 6 x 6 TRUCKS  
DIAMOND T MOTOR CAR COMPANY

**0702**  
**0705**  
**TRANSMISSION**

Code	Mfr. No.	Description	Order by this Number	Quantity Required	
3430		Countershaft 2nd and reverse gear.....	12352J	1	*
3432		Countershaft 3rd speed gear.....	22354J	1	*
3696		Countershaft overdrive gear.....	22355J	1	*
3694		Countershaft drive gear.....	22356J	1	*
4915		Power take off drive gear.....	BB2112	1	*
1239		Reverse idler gear.....	12370J	1	*
1235		Mainshaft 3rd speed loose gear rollers.....	BB2110	41	*
1232		Mainshaft 3rd speed loose gear locating washer.....	12338J	1	*
1233		Mainshaft 3rd speed loose gear retaining washer.....	12344J	1	*
4423-S		Mainshaft overdrive gear bushing.....	22341J	1	*
3439		Mainshaft overdrive gear retaining washer.....	22345J	1	*
1237		Mainshaft overdrive gear brg. ret. ring.....	12349J	1	*
1236		Mainshaft overdrive gear bearing bushing.....	12342J	1	*
1251		Mainshaft overdrive gear bearing bushing lock pin.....	12343J	1	*
2084		Mainshaft overdrive gear shim .003.....	12348J	as req'd.	*
2085		Mainshaft overdrive gear shim .005.....	12347J	as req'd.	*
1227		Countershaft 2nd and 3rd gear spacer.....	12353J	1	*
1261		Countershaft gear snap ring.....	12357J	1	*

**0703—Transmission Main Drive Pinion and Bearings**

ND3215		Main drive gear bearing.....	12315J	1	*
1250		Main drive gear bearing retaining nut.....	BB2103	1	*
4916		Main drive gear bearing cap.....	BB2104	1	*
1253		Main drive gear bearing cap gasket.....	BB2105	1	*
7A608		Main drive gear bearing cap capscrew.....	Y264	4	*
1A600		Main drive gear bearing cap lockwasher.....	X16	4	*
95732C		Mainshaft spigot bearing.....	BB2106	1	*
ND43311		Mainshaft rear bearing.....	12334J	1	*
60053		Mainshaft rear bearing cap with oil seal.....	BB2107	1	*
4919		Mainshaft rear bearing cap—only.....	BB2108	1	*
50442		Mainshaft rear bearing oil seal.....	12332J	1	*
3435		Mainshaft rear bearing cap gasket.....	BB2125	1	*
7A608		Mainshaft rear bearing cap screw (1").....	Y264	3	*
7A606		Mainshaft rear bearing cap screw (2¼").....	Y269	1	*
1A600		Mainshaft rear bearing cap screw lockwasher.....	X16	4	*
4923		Speedometer gear spacer.....	BB2111	1	*
1208T		Countershaft bearing—front.....	12361J	1	*
1246		Countershaft bearing spacer.....	12359J	1	*
1252		Countershaft retaining disc.....	12362J	1	*
2025		Countershaft retaining disc retaining ring.....	12363J	1	*
309FG		Countershaft bearing—rear.....	12365J	1	*
1700		Countershaft bearing retaining nut.....	BB2113	1	*
3418		Countershaft bearing cap.....	12368J	1	*
3437		Countershaft bearing cap gasket.....	12369J	1	*
7A608		Countershaft bearing cap capscrew.....	Y264	4	*
1A600		Countershaft bearing cap lockwasher.....	X16	4	*
95732C		Reverse idler gear bearing.....	BB2106	2	*
1245		Reverse idler gear bearing spacer.....	12372J	1	*
1929		Reverse idler shaft lock plate.....	12375C	1	*
7A608		Reverse idler shaft lock plate capscrew.....	Y264	1	*
1A600		Reverse idler shaft lock plate lockwasher.....	X16	1	*

**0704—Mainshaft, Countershaft and Reverse Idler Countershaft**

3420		Mainshaft.....	12325J	1	*
4AE		Countershaft gear key.....	Z2E	5	*
1242		Reverse idler shaft.....	12374J	1	*
K5-1-1651		Mainshaft companion flange.....	N8321	1	*
1262		Mainshaft companion flange nut.....	12333J	1	*
3A402		Mainshaft companion flange nut cotter.....	Z586	1	*

**0705—Speedometer Drive Gears**

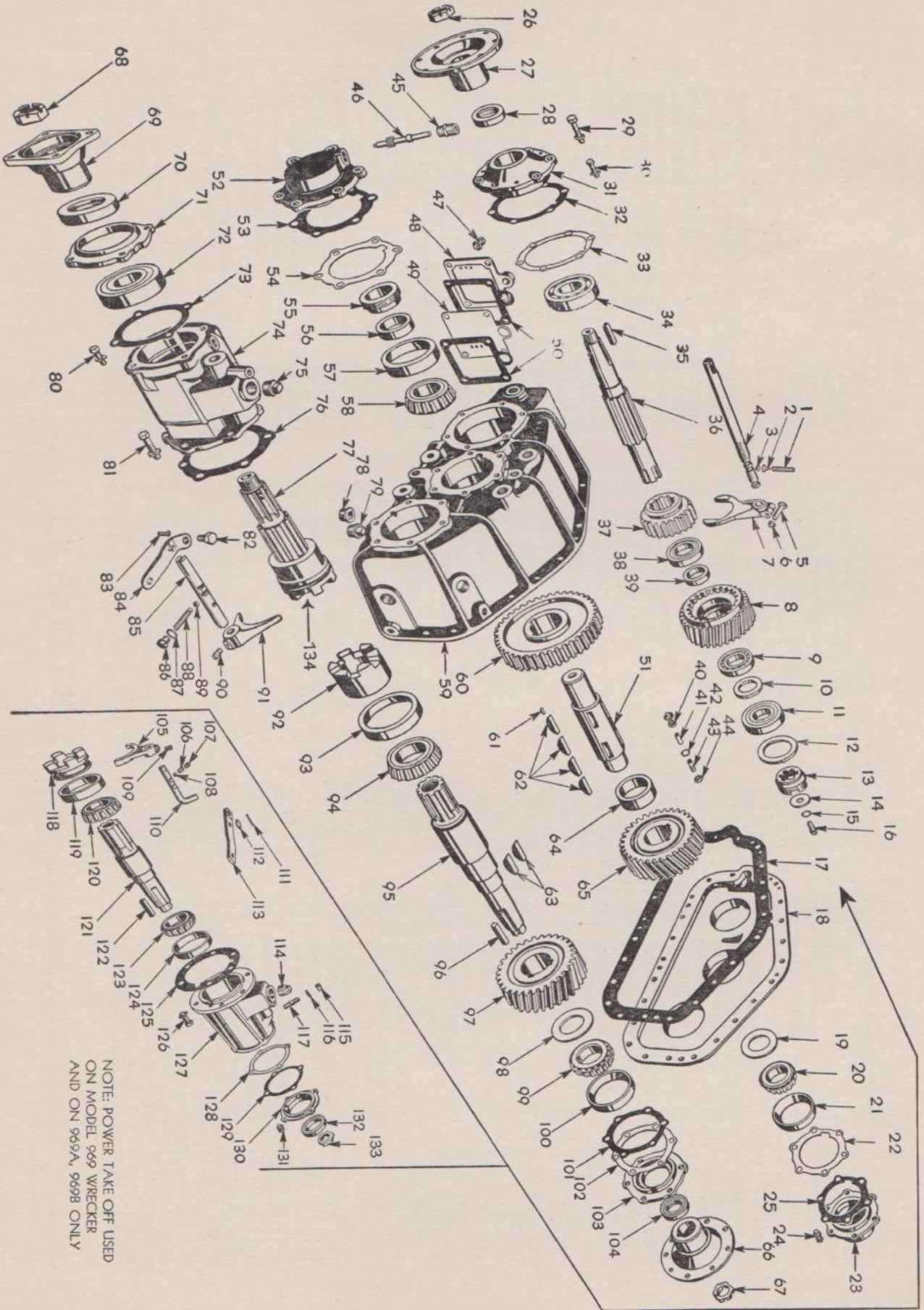
*Refer to Group 0804*



**0706  
TRANSMISSION  
0800  
0801  
TRANSFER CASE**

**PARTS LIST 4 TON 6 x 6 TRUCKS  
MODELS 969B; 975; 975A**

Code	Mfr. No.	Description	Order by this Number	Quantity Required	
<b>0706—Shifting Forks and Levers</b>					
1054		Shifting lever guide pin.....	42378R	1	*
1268		Fork—1st and reverse.....	BB2117	1	*
1268		Fork—2nd and 3rd.....	BB2117	1	*
1269		Fork—direct and overdrive.....	BB2118	1	*
1566		Fork locking screw.....	12392R	5	*
1553		Fork lockwire.....	12393R	5	*
3421		Shift rod—1st and reverse.....	BB2119	1	*
3422		Shift rod—2nd and 3rd.....	BB2120	1	*
3423		Shift rod — direct and overdrive.....	BB2121	1	*
1422		Shift rod Welch plug ( $\frac{7}{8}$ " ).....	42398R	4	*
1423		Shift rod Welch plug ( $\frac{5}{8}$ " ).....	42399R	1	*
50231		1st and reverse shift lug assembly.....	BB2122	1	*
1043		Latch plunger spring.....	42386R	1	*
2053		Shift lug — low and reverse.....	42384C	1	*
2282		Latch plunger.....	42385C	1	*
10A500		Latch adjusting nut.....	X65	1	*
3A200		Latch adjusting cotter.....	Z542	1	*
2057		Shift lug—2nd and 3rd.....	42383C	1	*
1044		Interlocking pin—shift rod.....	42394R	1	*
6A700		Ball.....	Z06	7	*
1045		Lockspring.....	42397R	3	*
4910		Gear shift lever.....	BB2123	1	*
1298		Gear shift lever support spring.....	42418C	1	*
1299		Gear shift lever support spring washer.....	42416C	1	*
2484		Gear shift lever dust cover.....	BB2124	1	*
2750		Gear shift lever knob.....	12420R	1	*
<b>08—TRANSMISSION TRANSFER CASE</b>					
<b>0800—Transmission Transfer Case Assembly</b>					
	T76-#A-693	Transfer case assembly, complete (Wisconsin).....	DX5772	1	
<b>0801—Transfer Case</b>					
	A3875-C-133	Transfer case and cover.....	BB16201	1	
	2808-A-365	Transfer case and cover gasket.....	BB16203	1	
	#7 x 1 $\frac{1}{4}$	Transfer case and cover taper pin.....	BB6202	4	*
	S-1713	Transfer case and cover bolt.....	BB16204	18	
	N-17	Transfer case and cover nut.....	DX599C	18	
	S-2714	Transfer case and cover cap screw.....	BB5173	5	
	W-17	Transfer case and cover lockwasher.....	DX256	23	
	P-112	Transfer case oil filler plug.....	BB6205	1	*
	P-212	Transfer case oil drain plug.....	BB6204	1	*
	2847-B-106	Transfer case oil breather plate.....	BB6292	1	*
		Transfer case bracket—front.....	N1445	2	*
		Transfer case bracket bolt.....	N21251	4	*
		Transfer case bracket bolt lockwasher.....	DX263	4	*
		Transfer case bracket bolt wire.....	DX1095A	2 ft.	*
		Transfer case bracket dowel.....	N11265	2	*
		Transfer case bracket clamp bolt.....	DXT439EE	2	*
		Transfer case bracket clamp bolt nut.....	DX1089	2	*
		Transfer case bracket clamp bolt cotter.....	DX215	2	*
		Transfer case cross member—front.....	N20198	1	*
		Transfer case cross member webbing.....	N12360A	2	
		Transfer case support—rear.....	N4445	1	*
		Transfer case support rubber—anti-squeak.....	N6360	1	*
		Transfer case support bolt.....	N6251B	3	*
		Transfer case support bolt nut.....	DX1089	3	*
		Transfer case support bolt cotter.....	DX215	3	*
		Transfer case support clamp bolt.....	DXT1088C	1	*
		Transfer case support clamp bolt nut.....	DX1089	1	*
		Transfer case support clamp bolt cotter.....	DX215	1	*



NOTE: POWER TAKE OFF USED  
ON MODEL 969 WRECKER  
AND ON 969A, 969B ONLY

PARTS LIST 4 TON 6 x 6 TRUCKS  
DIAMOND T MOTOR CAR COMPANY

0800  
TRANSFER CASE

1. Gear Shift Lock Spring	BB6284
2. Gear Shift Lock Spring Plunger	BB6285
3. Gear Shift Lock Ball	BB6283
4. Gear Shift Shaft	BB16253
5. Shift Fork Bolt	Y-065
6. Nut	BB6279
7. Gear Shift Fork	BB16252
8. Mainshaft Direct Speed	
Loose Gear	BB16206
9. Loose Gear Bearing	BB16207
10. Rear Bearing Spacer	BB16209
11. Mainshaft Rear Bearing	BB16211
12. Rear Bearing Washer	BB16212
13. P.T.O. Drive Clutch	BB16258
14. Washer	BB16259
15. Lock Washer	BB16261
16. Cap Screw	BB16260
17. Cover Gasket	BB16203
18. Transfer Case Cover	
..... (Not serviced separate from case)	
19. Idler Shaft Washer	BB16232
20. Idler Shaft Rear Bearing Cone	BB16230
21. Idler Shaft Rear Bearing Cup	BB16229
22. Shim (Medium)	BB16249
23. Idler Shaft Rear Bearing Cap	BB16247
24. Cap Screw	BB16216
25. Bearing Cap Gasket	BB16245
26. Nut	16637J
27. Mainshaft Flange	DT2810
28. Oil Seal	BB6210
29. Cap Screw	BB16217
30. Cap Screw	BB16216
31. Mainshaft Front Bearing Cap	BB16214
32. Gasket	BB16215
33. Shim (Medium)	BB16213
34. Mainshaft Front Bearing	BB16219
35. Key	26636F
36. Main Drive Shaft	BB16205
37. Mainshaft Low Speed	
Sliding Gear	BB16210
38. Loose Gear Bearing	BB16207
39. Bearing Spacer	BB16208
40. Cap Screw	BB5173
41. Taper Pin	BB6202
42. Lock Washer	DX256
43. Bolt	BB16204
44. Nut	DX599C
45. Speedometer Driven Gear Sleeve	DX5611
46. Speedometer Driven Gear	DX5610
47. Cap Screw	Y263
48. Shifting Cover	BB16251
49. Breather Plate	BB6279
50. Gasket	BB6287
51. Idler Shaft	BB16243
52. Idler Front Bearing Cap	BB16244
53. Gasket	BB16245
54. Shim (Medium)	BB16249
55. Speedometer Drive Gear	DX5609
56. Speedometer Gear Spacer	BB16242
57. Idler Front Bearing Cup	BB16229
58. Idler Front Bearing Cone	BB16230
59. Case (Serviced with cover)	BB16201
60. Idler Low Speed Gear	BB16241
61. Speedometer Gear Key	DX5612
62. Idler Shaft Keys	BB16222
63. Driven Shaft Keys	BB16222
64. Idler Gear Spacer	BB16240
65. Idler Direct Speed Gear	BB16239
66. Driven Shaft Flange	N10321
67. Nut	16637J
68. Nut	16637J
69. Declutch Shaft Flange	N9321
70. Oil Seal	BB6256
71. Bearing Cap	BB6254
72. Declutch Shaft Bearing	BB16238
73. Gasket	BB6255
74. Declutch Carrier	BB16235
75. Oil Plug	BB6253
76. Gasket	BB16237
77. Declutch Shaft	BB6249
78. Drain Plug	BB6204
79. Filler Plug	BB6205
80. Cap Screw	6249C
81. Cap Screw	BB16216
82. Shift Lever Screw	BB6273
83. Shift Lever Pin	BB6271
84. Declutch Shifting Lever	BB6270
85. Declutch Shift Shaft	BB6263
86. Lock Spring Screw	BB6266
87. Lock Washer	BB6267
88. Shift Lock Spring	BB6265
89. Shift Lock Ball	BB6264
90. Shift Fork Screw	BB6262
91. Declutch Shift Fork	BB6261
92. Declutch Driving Clutch	BB6258
93. Driven Shaft Front Bearing Cup	16057C
94. Driven Shaft Front Bearing Cone	BB16231
95. Driven Shaft	BB16223
96. Key	26636F
97. Driven Gear	BB16221
98. Driven Shaft Washer	BB16232
99. Driven Shaft Rear Bearing Cone	BB16230
100. Driven Shaft Rear Bearing Cup	BB16229
101. Gasket	BB16228
102. Shim (Medium)	BB16226
103. Driven Shaft Rear Bearing Cap	BB16224
104. Oil Seal	BB6210
105. P.T.O. Shift Fork	BB16263
106. Shift Shaft Lock Spring	BB16268
107. Lock Spring Screw	BB16269
108. Lock Ball	BB16267
109. Lock Screw	BB16264
110. Shifting Shaft	BB16265
111. Cotter Pin	BB16266
112. Washer	BB16271
113. Shifting Lever	BB16270
114. Pipe Plug	BB6253
115. Nut	BB16274
116. Washer	BB16273
117. Shift Lever Stud	BB16272
118. Sliding Jaw Clutch	BB16262
119. Bearing Cup	5020W
120. Bearing Cone	BB16275
121. P.T.O. Shaft	BB16257
122. Key	BB16279
123. Bearing Cone	BB16275
124. Bearing Cup	5020W
125. Gasket	BB16255
126. Cap Screw	BB16216
127. P.T.O. Carrier	BB16254
128. Shim (.003)	BB16285
129. Gasket	BB16255
130. Bearing Cap	BB16276
131. Cap Screw	BB16278
132. Oil Seal	BB16277
133. Nut	2142W
134. Declutch Sliding Clutch	BB6260

## TRANSFER CASE

PARTS LIST 4 TON 6 x 6 TRUCKS  
DIAMOND T MOTOR CAR COMPANY

**0802**  
**0803**  
**TRANSFER CASE**

Code	Mfr. No.	Description	Order by this Number	Quantity Required	
<b>0802—Transfer Case Drive Gear, Main Shaft and Bearings</b>					
	3880-M-325	Main drive shaft . . . . .	BB16205	1	
	3892-T-722	Main shaft direct speed gear . . . . .	BB16206	1	
	7209	Main shaft direct speed gear bearing . . . . .	BB16207	2	
	1844-R-174	Main shaft direct speed gear bearing spacer . . . . .	BB16208	1	
	1829-C-393	Main shaft direct speed gear bearing washer . . . . .	BB16209	1	
	3892-R-720	Main shaft low speed sliding gear . . . . .	BB16210	1	
	7609	Main shaft rear bearing . . . . .	BB16211	1	
	1829-A-391	Main shaft rear bearing washer . . . . .	BB16212	1	
	7610	Main shaft front bearing . . . . .	BB16213	1	
	3838-H-86	Main shaft front bearing cap . . . . .	BB16214	1	
	A1805-L-168	Main shaft front bearing cap oil seal . . . . .	BB6210	1	*
	2808-Y-363	Main shaft front bearing cap gasket . . . . .	BB16215	1	
	S-2710	Main shaft front bearing cap capscrew (1 $\frac{1}{4}$ " ) . . . . .	BB16216	5	
	S-2811	Main shaft front bearing cap capscrew (1 $\frac{3}{8}$ " ) . . . . .	BB16217	1	
	W-17	Main shaft front bearing cap lockwasher (7 $\frac{1}{16}$ " ) . . . . .	DX256	5	
	W-18	Main shaft front bearing cap lockwasher (1 $\frac{1}{2}$ " ) . . . . .	X18	1	
	2803-R-616	Main shaft front bearing cap shim—thin . . . . .	BB16218	1	
	2803-S-617	Main shaft front bearing cap shim—medium . . . . .	BB16219	2	
	2803-T-618	Main shaft front bearing cap shim—thick . . . . .	BB16220	3	
	3866-T-384	Main shaft rear bearing cap	BB16280	1	
	2808-W-361	Main shaft rear bearing cap gasket	Models 968A, 968B & 970A BB16281	1	
	S-2710	Main shaft rear bearing cap capscrew	BB16216	6	
	W-17	Main shaft rear brg. cap capscrew L.W.	DX256	6	
	14-X-57	Main shaft nut . . . . .	16637J	1	*
	K-2518	Main shaft nut cotter . . . . .	DX217A	1	*
	16-X-23	Main shaft key . . . . .	26636F	1	*
	5-1-1154	Main shaft flange . . . . .	DT2810	1	*
<b>0803—Transfer Case Driven Gears, Shafts and Bearings — Rear Axle Drive</b>					
	3892-S-721	Driven gear . . . . .	BB16221	1	
	VX Woodruff	Driven gear key . . . . .	BB16222	2	
	A3880-N-326	Driven shaft . . . . .	BB16223	1	
	3866-R-382	Driven shaft rear bearing cap . . . . .	BB16224	1	
	2803-U-619	Driven shaft rear bearing cap shim—thin . . . . .	BB16225	1	
	2803-V-620	Driven shaft rear bearing cap shim—medium . . . . .	BB16226	3	
	2803-W-621	Driven shaft rear bearing cap shim—thick . . . . .	BB16227	3	
	2808-Z-364	Driven shaft rear bearing cap gasket . . . . .	BB16228	1	
	S-2710	Driven shaft rear bearing cap capscrew . . . . .	BB16216	6	
	W-17	Driven shaft rear bearing cap lockwasher . . . . .	DX256	6	
	A-1805-L-168	Driven shaft rear bearing cap oil seal . . . . .	BB6210	1	*
	49520	Driven shaft rear bearing cup . . . . .	BB16229	1	
	49585	Driven shaft rear bearing cone . . . . .	BB16230	1	
	3920	Driven shaft front bearing cup . . . . .	16507C	1	
	3979	Driven shaft front bearing cone . . . . .	BB16231	1	
	1825-E-57	Driven shaft bushing . . . . .	BB6247	1	*
	1829-B-392	Driven shaft washer . . . . .	BB16232	1	
	14-X-57	Driven shaft nut . . . . .	16637J	1	*
	K-2518	Driven shaft nut cotter . . . . .	DX217A	1	*
	16-X-23	Driven shaft key . . . . .	26636F	1	*
	5-1-1544	Driven shaft flange . . . . .	N10321	1	*
<b>0803—Transfer Case Driven Gears, Shafts and Bearings — Front Axle Drive</b>					
	3880-T-46	Declutch shaft . . . . .	BB6249	1	*
	5-X-349	Declutch shaft packing . . . . .	BB6268	1	*
	1805-W-75	Declutch shaft packing retainer . . . . .	BB6269	1	*
	3826-C-185	Declutch shaft bearing carrier . . . . .	BB16235	1	
	1850-Q-43	Declutch shaft bearing carrier oil plug . . . . .	BB6253	1	*
	2808-V-360	Declutch shaft bearing carrier gasket . . . . .	BB16237	1	
	S-2710	Declutch shaft bearing carrier to case capscrew . . . . .	BB16216	6	

**0803  
0805  
TRANSFER CASE**

**PARTS LIST 4 TON 6 x 6 TRUCKS  
MODELS 969B; 975; 975A**

Code	Mfr. No.	Description	Order by this Number	Quantity Required	
W-17		Declutch shaft bearing to case lockwasher.....	DX256	6	
A-3866-P-354		Declutch shaft bearing cap.....	BB6254	1	*
2808-P-94		Declutch shaft bearing cap gasket.....	BB6255	1	*
S-2610		Declutch shaft bearing cap capscrew.....	6249C	4	*
W-16		Declutch shaft bearing cap lockwasher.....	X16	4	*
7309		Declutch shaft bearing.....	BB16238	1	
A-1805-Z-104		Declutch shaft oil seal.....	BB6256	1	*
2858-S-45		Declutch shift lock spring.....	BB6265	1	*
3-X-146		Declutch shift lock spring screw.....	BB6266	1	*
1829-W-257		Declutch shift lock spring screw lockwasher.....	BB6267	1	*
2849-P-94		Declutch shift fork.....	BB6261	1	*
26-X-52		Declutch shift fork screw.....	BB6262	1	*
2848-W-23		Declutch driving clutch.....	BB6258	1	*
S-664		Declutch driving clutch lockscrew.....	BB6259	1	*
2848-V-22		Declutch sliding clutch.....	BB6260	1	*
2847J296		Declutch shifting lever.....	BB16289	1	
10-X-156		Declutch shifting lever screw.....	BB6273	1	*
I-W-166		Declutch shifting lever lock wire.....	BB6274	1	*
1/4-SAE		Declutch shifting lever pin.....	BB6271	1	*
K224		Declutch shifting lever pin cotter.....	BB6272	1	*
2843-F-110		Declutch shifting shaft.....	BB6263	1	*
1898-R-70		Declutch shifting lock ball.....	BB6264	1	*
		Declutch shaft flange.....	N9321	1	*
14-X-57		Declutch shaft nut.....	16637J	1	*
K-2518		Declutch shaft nut cotter.....	DX217A	1	*
16-X-23		Declutch shaft key.....	26636F	1	*

**0804—Idler Gears, Bearings, Shaft and Caps**

3892-U-723		Idler Gear.....	BB16239	1	
VX-Woodruff		Idler gear key.....	BB16222	2	
1844-S-175		Idler gear spacer.....	BB16240	1	
3892-Q-719		Low speed gear.....	BB16241	1	
VX-Woodruff		Low speed gear key.....	BB16222	2	
1844-T-176		Speedometer gear spacer.....	BB16242	1	
105946		Speedometer drive gear.....	DX5609	1	*
105947		Speedometer driven gear.....	DX5610	1	*
78744		Speedometer driven gear sleeve.....	DX5611	1	*
P-11012		Speedometer driven gear bushing.....	DX2295	1	*
3213		Speedometer driven gear key.....	DX5612	1	*
3880-L-324		Idler shaft.....	BB16243	1	
3866-S-383		Idler shaft front bearing cap.....	BB16244	1	
2808-X-362		Idler shaft front bearing cap gasket.....	BB16245	1	
S-2719		Idler shaft front bearing cap capscrew (2 <sup>3</sup> / <sub>8</sub> " ).....	BB16246	2	
S-2710		Idler shaft front bearing cap capscrew (1 <sup>1</sup> / <sub>4</sub> " ).....	BB16216	4	
W-17		Idler shaft front bearing cap lockwasher.....	DX256	6	
3866-Q-381		Idler shaft rear bearing cap.....	BB16247	1	
2808-X-362		Idler shaft rear bearing cap gasket.....	BB16245	1	
S-2710		Idler shaft rear bearing cap capscrew.....	BB16216	6	
W-17		Idler shaft rear bearing cap lockwasher.....	DX256	6	
2803-N-612		Idler shaft front and rear bearing cap shim—thin.....	BB16248	2	
2803-P-614		Idler shaft front and rear bearing cap shim—medium.....	BB16249	4	
2803-Q-615		Idler shaft front and rear bearing cap shim—thick.....	BB16250	6	
49520		Idler shaft rear bearing cup.....	BB16229	1	
49585		Idler shaft rear bearing cone.....	BB16230	1	
49520		Idler shaft front bearing cup.....	BB16229	1	
49585		Idler shaft front bearing cone.....	BB16230	1	
1829-B-392		Idler shaft washer.....	BB16232	1	

**0805—Shifting Shafts, Yokes and Shift Levers**

3855-H-60		Shifting cover.....	BB16251	1	
2808-H-216		Shifting cover gasket.....	BB6287	2	*
2858-A-1		Gear shift lock spring.....	BB6284	1	*
1846-B-2		Gear shift lock spring plunger.....	BB6285	1	*

**PARTS LIST 4 TON 6 x 6 TRUCKS  
DIAMOND T MOTOR CAR COMPANY**

**0805  
0809  
TRANSFER CASE**

Code	Mfr. No.	Description	Order by this Number	Quantity Required	
	2849-R-96	Gear shift fork.....	BB16252	1	
	2843-R-122	Gear shift shaft.....	BB16253	1	
	5-X-287	Gear shift shaft packing.....	BB6281	1	*
	1805-Z-26	Gear shift shaft packing retainer.....	BB6282	1	*
	1898-E-57	Gear shift lock ball.....	BB6283	1	*
	S-1614	Gear shift fork bolt.....	Y065	1	*
	N-26	Gear shift fork bolt nut.....	BB6279	1	*
	K-238	Gear shift fork bolt nut cotter.....	DX213B	1	*
	S-266	Gear shift cover capscrew.....	Y263	4	*
	W-16	Gear shift cover capscrew lockwasher.....	X16	4	*
		Idler lever bracket.....	N6267	1	*
		Idler lever bracket clamp bolt.....	DXT439A	1	*
		Idler lever bracket clamp bolt nut.....	DX1089	1	*
		Idler lever bracket clamp bolt cotter.....	DX215A	1	*
		Idler lever bracket fulcrum bolt.....	N6251E	1	*
		Idler lever bracket fulcrum bolt plain washer.....	DX556	1	*
		Idler lever bracket fulcrum bolt nut.....	DX1089	1	*
		Idler lever bracket fulcrum bolt cotter.....	DX213A	1	*
		Idler lever.....	N7141	1	*
		Idler lever link.....	N2211B	2	*
		Idler lever link pin.....	DT3810	2	*
		Idler lever link pin cotter.....	DX213A	2	*
		Idler lever washer.....	DT3998	1	*
		Case shaft lever.....	DT729C	1	*
		Case shaft lever clamp bolt.....	DX424	1	*
		Case shaft lever clamp bolt nut.....	DX577	1	*
		Case shaft lever clamp bolt lockwasher.....	DX255	1	*
		Case shaft lever clamp key.....	DX278	1	*
		Case control rod.....	N1134T	1	*
		Case control rod yoke.....	DX590	1	*
		Case control rod yoke pin.....	DX586	2	*
		Case control rod yoke pin cotter.....	DX214	2	*
		Case control rod yoke nut.....	DX1091	1	*
		Declutching lever.....	N8210	1	*
		Declutching lever ball stud.....	DT779BG	1	*
		Declutching lever zerk fitting.....	DX4050	1	*
		Declutching lever idler lever rod.....	N1134S	1	*
		Declutching lever idler lever rod yoke.....	DX590	1	*
		Declutching lever idler lever rod yoke pin.....	DX586	2	*
		Declutching lever idler lever rod yoke pin cotter.....	DX214	2	*
		Declutching lever idler lever rod yoke pin nut.....	DX1091	1	*
		Case shift lever.....	N14210	1	*
		Case shift lever ball.....	DX4166	1	*
		Case shift lever ball stud.....	DT779-BG	1	*
		Case shift lever clamp bolt.....	DX426A	1	*
		Case shift lever clamp bolt nut.....	DX577	1	*
		Case shift lever clamp bolt lockwasher.....	DX255	1	*
		Case shift lever clamp key.....	DX278	1	*
		Case shift lever adjusting bolt.....	N22251A	1	*
		Case shift lever adjusting bolt nut.....	DX176	1	*

**0809—Power Take-off Assembly (Model 969B only)**

P76-#A693	Power take-off assembly (Wisconsin).....	DX5819	1	} Model 969B only
A3826-B-184	Power take-off carrier.....	BB16254	1	
2808-Y-155	Power take-off carrier to case gasket.....	BB16255	1	
4-X-249	Power take-off carrier to case stud.....	BB16256	2	
N-17	Power take-off carrier to case stud nut.....	DX599C	2	
1829-W-257	Power take-off carrier to case stud lockwasher.....	BB6267	2	
S-2710	Power take-off carrier to case capscrew.....	BB16216	4	
W-17	Power take-off carrier to case capscrew lockwasher.....	DX256	4	
1850-Q-43	Power take-off carrier plug.....	BB6253	1	
3880-P-328	Power take-off shaft.....	BB16257	1	
2848-Q-95	Power take-off drive clutch.....	BB16258	1	

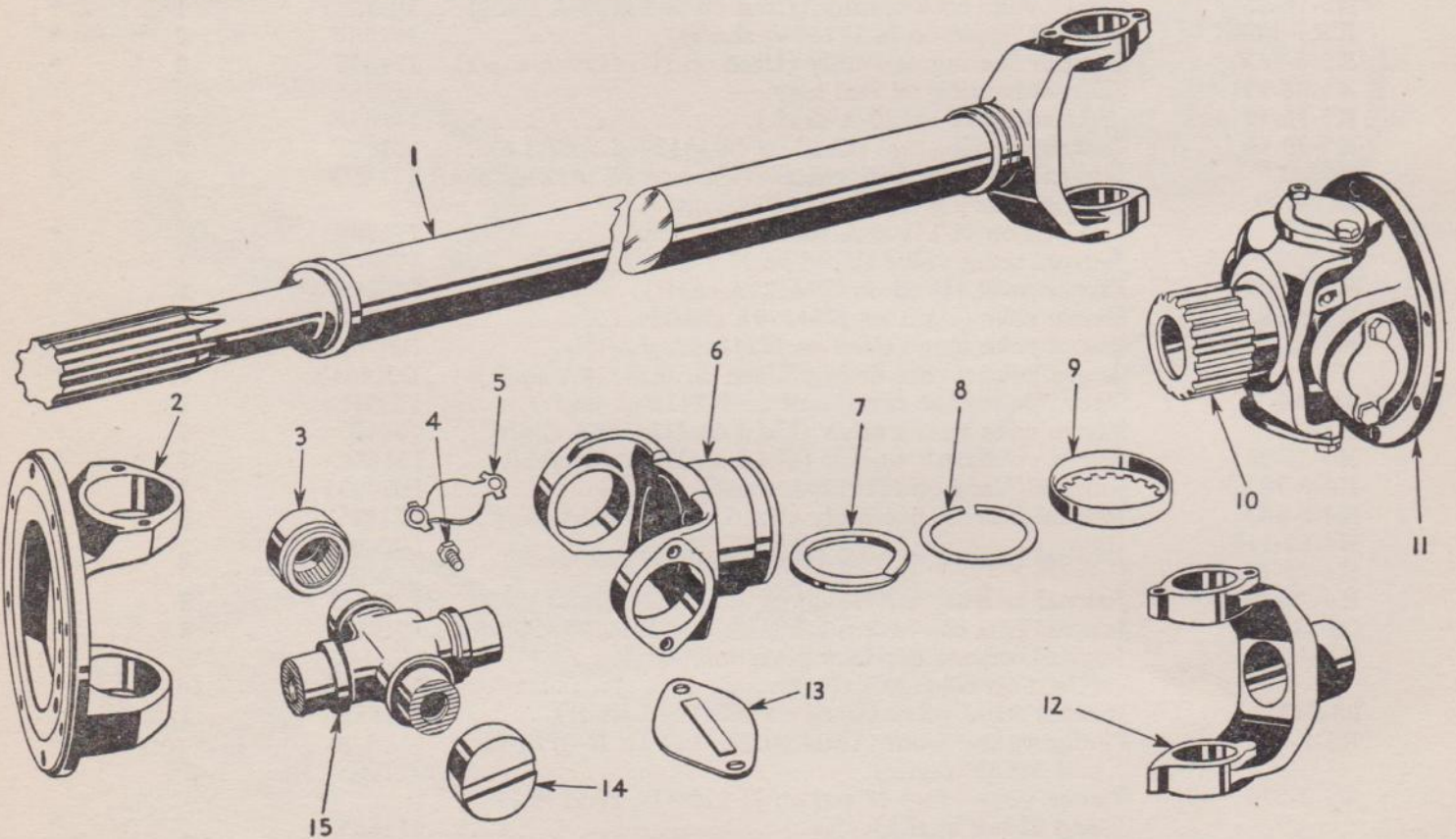
Code	Mfr. No.	Description	Order by this Number	Quantity Required	
	1829-D-394	Power take-off drive clutch washer . . . . .	BB16259	1	} Model 969B only
	S-1810	Power take-off drive clutch capscrew . . . . .	BB16260	1	
	1829-X-258	Power take-off drive clutch capscrew lockwasher . . . . .	BB16261	1	
	2848-D-4	Power take-off sliding clutch . . . . .	BB16262	1	
	2849-N-92	Power take-off shifting fork . . . . .	BB16263	1	
	26-X-56	Power take-off shifting fork lock screw . . . . .	BB16264	1	
	2843-A-105	Power take-off shifting shaft . . . . .	BB16265	1	
	K-236	Power take-off shifting shaft cotter . . . . .	BB16266	1	
	1898-H-34	Power take-off shifting shaft lock ball . . . . .	BB16267	1	
	2858-T-20	Power take-off shifting shaft lock spring . . . . .	BB16268	1	
	3X161	Power take-off shifting shaft lock spring screw . . . . .	BB16269	1	
	1829V256	Power take-off shifting shaft lock spring screw L.W. . . . .	BB16288	1	
	2847-A-287	Power take-off shifting lever . . . . .	N13210	1	
	1829-V-386	Power take-off shifting lever washer . . . . .	BB16271	1	
	4-X-657	Power take-off shifting lever stud . . . . .	BB16272	1	
	W-38	Power take-off shifting lever stud washer . . . . .	BB16273	1	
	N-58	Power take-off shifting lever stud nut . . . . .	BB16274	1	
	K-236	Power take-off shifting lever stud nut cotter . . . . .	BB16266	1	
	332	Power take-off bearing cup . . . . .	5020W	2	
	342-S	Power take-off bearing cone . . . . .	BB16275	2	
	3866-L-350	Power take-off shaft bearing cap . . . . .	BB16276	1	
	2803L220	Power take-off shaft brg. cap shim (.003) . . . . .	BB16285	as req'd.	
	2803M221	Power take-off shaft brg. cap shim (.005) . . . . .	BB16286	as req'd.	
	2803N222	Power take-off shaft brg. cap shim (.010) . . . . .	BB16287	as req'd.	
	A-1805-A-157	Power take-off shaft bearing cap oil seal . . . . .	BB16277	1	
	S-256	Power take-off shaft bearing cap capscrew . . . . .	BB16278	4	
	W-15	Power take-off shaft bearing cap lockwasher . . . . .	BB6288	4	
	13399	Power take-off shaft nut . . . . .	2142W	1	
	K-2412	Power take-off shaft nut cotter . . . . .	DX215A	1	
	16-X-28	Power take-off shaft key . . . . .	BB16279	1	
		Power take-off control cable assembly . . . . .	N2362A	1	
		Power take-off control cable anchor bracket—front . . . . .	N22185	1	
		Power take-off control cable anchor bracket bolt . . . . .	DX439D	2	
		Power take-off control cable anchor bracket nut . . . . .	DX599E	2	
		Power take-off control cable anchor brkt. lockwasher . . . . .	DX250	2	
		Power take-off control cable anchor brkt. pinch bolt . . . . .	DX579	1	
		Power take-off control cable anchor brkt. nut . . . . .	DX581	1	
		Power take-off control cable anchor brkt. lockwasher . . . . .	DX253	1	
		Power take-off control cable anchor brkt. — rear . . . . .	N23185	1	
		Power take-off control cable anchor brkt. pinch bolt . . . . .	DX579	1	
		Power take-off control cable anchor brkt. nut . . . . .	DX581	1	
		Power take-off control cable anchor brkt. lockwasher . . . . .	DX253	1	
		Power take-off control cable anchor brkt. mtg. bolt . . . . .	DX421A	1	
		Power take-off control lever . . . . .	N8152	1	
		Power take-off control lever adj. yoke . . . . .	DX586JJ	1	
		Power take-off control lever adj. yoke pin . . . . .	DX586KK	1	
		Power take-off control lever adj. yoke cotter . . . . .	DX228D	1	
		Power take-off control lever nut . . . . .	DX581	2	
		Power take-off control lever adj. yoke . . . . .	N6222	1	
		Power take-off control lever adj. yoke pin . . . . .	DX586U	1	
		Power take-off control lever adj. yoke cotter . . . . .	DX212	1	
		Power take-off control lever adj. yoke washer . . . . .	DT444V	1	
		Power take-off control fulcrum bolt . . . . .	DXT423	1	
		Power take-off control fulcrum bolt spring washer . . . . .	DX5563	2	
		Power take-off control fulcrum bolt plain washer . . . . .	DT444J	1	
		Power take-off control fulcrum bolt castle nut . . . . .	DX586D	1	
		Power take-off control fulcrum bolt cotter . . . . .	DX214	1	

**PARTS LIST 4 TON 6 x 6 TRUCKS  
DIAMOND T MOTOR CAR COMPANY**

Code	Mfr. No.	Description	Order by this Number	Quantity Required
<b>09—PROPELLER SHAFT AND UNIVERSAL JOINTS</b>				
<b>0901—Propeller Shaft Assembly—Spicer</b>				
		Shaft assy. (Trans. to transfer case).....	N14129A	1 *
		Shaft — stripped (Trans. to transfer case).....	N14129Ax	1 *
		Shaft assy. (Transfer case to front axle).....	N24129A	1
		Shaft — stripped (Transfer case to front axle).....	N24129Ax	1
		Shaft assy. (Transfer case to fwd. rear axle).....	N9129D	1 } Model *
		Shaft — stripped (Tr. case to fwd. rear axle).....	N9129Dx	1 } 969B *
		Shaft assy. (Transfer case to bearing carrier).....	N5130F	1 } Model
		Shaft—stripped (Transfer case to bearing carrier)....	N5130Fx	1 } 975, 975A
		Shaft assy. (Between rear axles).....	N15129A	1 *
		Shaft — stripped (Between rear axles).....	N15129Ax	1 *
		Shaft assy. (bearing carrier to front rear axle).....	N9129H	1 } Model
		Shaft — stripped (bearing carrier to front rear axle)....	N9129Hx	1 } 975, 975A
<b>0902—Universal Joint</b>				
K5-2-379		Flange yoke (Used on N-14129-A shaft).....	BB7025	2 *
K5-3-168X		Sleeve yoke (Used on N-14129-A shaft).....	BB7026	1 *
K5-68-33		Sleeve yoke plug (Used on N-14129-A shaft).....	BB7027	1 *
		Sleeve yoke grease fitting (Used on N-14129-A shaft) ..	DX4049	1 *
K5-14-29		Sleeve yoke dust cap (Used on N-14129-A shaft).....	BB7029	1 *
K5-15-33		Sleeve yoke steel washer (Used on N-14129-A shaft) ..	BB7030	1 *
K5-16-33		Sleeve yoke cork washer (Used on N-14129-A shaft) ..	BB7031	1 *
KR5-5-68X		Journal (Used on N-14129-A shaft).....	27175F	2 *
K5-6-78X		Journal bearing assembly (Used on N-14129-A shaft) ..	27180F	8 *
K5-86-79 }		Journal bearing oil seal assy. —		
K5-76-17 }		(Used on N-14129-A shaft).....	17183F	8 *
K5-70-49		Journal bearing cap (Used on N-14129-A shaft).....	17188F	8 *
98-741		Journal bear. cap lock plate—(Used on N-14129-A shaft	17190F	8 *
5-73-109		Journal bearing cap lock plate screw		
		(Used on N-14129-A shaft).....	27189F	16 *
98-798		Journal relief valve (Used on N-14129-A shaft).....	17184F	2 *
K4-2-309		Flange yoke (Used on N24129A shaft).....	17165C	2 *
K4-3-98X		Sleeve yoke (Used on N24129A shaft).....	37173C	1
K4-68-34		Sleeve yoke plug (Used on N24129A shaft).....	BB7034	1 *
		Sleeve yoke grease fitting (Used on N24129A shaft)....	DX4049	1 *
3½-14-19		Sleeve yoke dust cap (Used on N24129A shaft).....	7039R	1 *
4-15-43		Sleeve yoke steel washer (Used on N24129A shaft)....	7041F	1 *
K4-16-83		Sleeve yoke cork washer (Used on N24129A shaft)....	17185C	1 *
K4-5-78X		Journal (Used on N24129A shaft).....	BB7035	2 *
K4-6-68X		Journal bearing assembly (Used on N24129A shaft)....	17180C	8 *
K4-86-119 }		Journal bearing oil seal (Used on N24129A shaft).....	17183C	8 *
K4-76-17 }				
K4-70-49		Journal bearing cap (Used on N24129A shaft).....	17188C	8 *
98-781		Journal brg. cap lock plate (Used on N24129A shaft)...	17190C	8 *
5-73-108		Journal bearing cap lock plate screw		
		(Used on N24129A shaft).....	17189C	16 *
98-798		Journal relief valve (Used on N24129A shaft).....	17184F	2 *
K5-2-249		Flange yoke—front (Used on N-9129-D, N-9129-H		
		and 5130F shafts).....	27165F	1 *
K5-2-279		Flange yoke—rear (Used on N-9129-D, N-9129-H		
		and 5130F shafts).....	17165F	1 *
K5-3-128X		Sleeve yoke (Used on N-9129-D, N-9129-H and		
		5130F shafts).....	57173F	1 *
K5-68-54		Sleeve yoke plug (Used on N-9129-D, N-9129-H and		
		5130F shafts).....	BB7036	1 *
		Sleeve yoke grease fitting (Used on N-9129-D,		
		N-9129-H and 5130F shafts).....	DX4049	1 *
4-14-19		Sleeve yoke dust cap (Used on N-9129-D, N-9129-H		
		and 5130F shafts).....	7039C	1 *



Code	Mfr. No.	Description	Order by this Number	Quantity Required	
K5-15-23		Sleeve yoke steel washer (Used on N-9129-D, N-9129-H and 5130F shafts).....	17187F	1	*
K5-16-23		Sleeve yoke cork washer (Used on N-9129-D, N-9129-H and 5130F shafts).....	17185F	1	*
KR5-5-68X		Journal (Used on N-9129-D, N-9129-H and 5130F shafts).....	27175F	2	*
K5-6-78X		Journal bearing assembly (Used on N-9129-D, N-9129-H and 5130F shafts).....	27180F	8	*
K5-76-17	}	Journal bearing oil seal assembly. (Used on N-9129-D, N-9129-H and 5130F shafts).....	17183F	8	*
K5-86-79					
K5-70-49					
98-741		Journal bearing cap lock plate — (Used on N-9129-D, N-9129-H and 5130F shafts).....	17190F	8	*
5-73-109		Journal bearing cap lock plate screw (Used on N-9129-D, N-9129-H and 5130F shafts).....	27189F	16	*
98-798		Journal relief valve (Used on N-9129-D, N-9129-H and 5130F shafts).....	17184F	2	*
KL4-4-914		End yoke—front (Used on N-15129-A shaft).....	37165C	1	*
KL4-4-914		End yoke—rear (Used on N-15129-A shaft).....	37165C	1	*
KL4-3-98X		Sleeve yoke (Used on N-15129-A shaft).....	37173C	1	*
K4-68-34		Sleeve yoke plug (Used on N-15129-A shaft).....	BB7034	1	*
		Sleeve yoke grease fitting (Used on N-15129-A shaft).....	DX4049	1	*
3½-14-19		Sleeve yoke dust cap (Used on N-15129-A shaft).....	7039R	1	*
4-15-43		Sleeve yoke steel washer (Used on N-15129-A shaft).....	7041F	1	*
K4-16-83		Sleeve yoke cork washer (Used on N-15129-A shaft).....	17185C	1	*



1. Propeller shaft with welded spline and yoke ends .....	N24129AX	8. Steel washer (sleeve yoke) .....	BB7030
2. Flange yoke .....	BB7025	9. Dust cap (sleeve yoke) .....	BB7029
3. Needle bearing assembly .....	27180F	10. Splined yoke and shaft .....	N14129AX
4. Bearing cap screw .....	27189F	11. Flange yoke .....	BB7025
5. Lock plate .....	17190F	12. End yoke (between rear axles) .....	37165C
6. Sleeve yoke assembly .....	BB7026	13. Bearing cap .....	17188F
7. Cork washer (sleeve yoke) .....	BB7031	14. Needle bearing assembly .....	27180F
		15. Journal assembly .....	27175F

PARTS LIST 4 TON 6 x 6 TRUCKS  
DIAMOND T MOTOR CAR COMPANY

**0902**  
**UNIVERSALS**

Code	Mfr. No.	Description	Order by this Number	Quantity Required	
	K4-5-98X	Journal (Used on N-15129-A shaft).....	27175C	2	*
	K4-6-68X	Journal bearing assembly (Used on N-15129-A shaft) ..	17180C	8	*
	K4-76-17 } K4-86-119 }	Journal bearing oil seal assy.(Used on N-15129-A shaft)	17183C	8	*
	K4-70-49	Journal bearing cap (Used on N-15129-A shaft).....	17188C	8	*
	98-781	Journal bearing cap lock plate (Used on N-15129-A shaft).....	17190C	8	*
	5-73-108	Journal bearing cap lock plate screw (Used on N-15129-A shaft).....	17189C	16	*
	98-798	Journal relief valve (Used on N-15129-A shaft).....	17184F	2	*
	K5-1-1651	Companion flange (Transmission).....	N8321	1	*
		Companion flange bolt (Transmission).....	N1251J	8	*
		Companion flange bolt nut (Transmission).....	DX577	8	*
		Companion flange bolt nut L.W. (Transmission).....	DX255	8	*
	5-1-1154	Companion flange (Transfer case input).....	DT2810	1	*
		Companion flange bolt (Transfer case input).....	N1251J	8	*
		Companion flange bolt nut (Transfer case input).....	DX577	8	*
		Companion flange bolt nut L.W. (Transfer case input) ..	DX255	8	*
	K4-1-2131	Companion flange (Transfer case lower front).....	N9321	1	*
		Companion flange bolt (Transfer case lower front)....	N1251C	4	*
		Companion flange bolt nut (Transfer case lower front) ..	DX1091	4	*
		Companion flange bolt nut L.W.(Trans. case lower front)	DX259	4	*
	K4-1-1984	Companion flange (Front axle).....	DT2808	1	*
		Companion flange bolt (Front axle).....	N1251C	4	*
		Companion flange bolt nut (Front axle).....	DX1091	4	*
		Companion flange bolt nut L.W. (Front axle).....	DX259	4	*
	5-1-1544	Companion flange (Transfer case rear).....	N10321	1	*
		Companion flange bolt (Transfer case rear).....	N1251H	8	*
		Companion flange bolt nut (Transfer case rear).....	DX577	8	*
		Companion flange bolt nut L.W. (Transfer case rear) ..	DX255	8	*
	5-1-1114	Companion flange (Forward rear axle, front).....	N4321	1	*
		Companion flange bolt (Forward rear axle, front).....	N1251J	8	*
		Companion flange bolt nut (Forward rear axle, front) ..	DX577	8	*
		Companion flange bolt nut L.W. (Fwd. rear axle, front)	DX255	8	*
		Companion flange (at bearing carrier).....	DT2809	1	
		Propeller shaft bearing bracket.....	N5155	1	
		Propeller shaft bearing bracket bolt.....	N40251FF	5	
		Propeller shaft bearing bracket bolt nut.....	N13311E	5	
		Propeller shaft bearing bracket bolt cotter pin.....	N21265J	5	
	28314	Propeller shaft bearing cup.....	DX4257	1	
	28158	Propeller shaft bearing cone.....	DX4258	2	
		Propeller shaft bearing cover plate.....	DT3930A	2	
		Propeller shaft bearing ring.....	DT3874	1	
		Propeller shaft bearing flinger.....	DT3932	2	
		Propeller shaft bearing washer.....	DT3934	2	
		Propeller shaft bearing washer cup.....	DT3933	2	
		Propeller shaft bearing locknut.....	DT3987	1	
		Propeller shaft bearing nut.....	DT3931	1	
		Propeller shaft bearing L.W.....	DT3988	1	
		Propeller shaft bearing nipple.....	N2568J	2	
		Propeller shaft bearing bolt.....	N42251M	4	
		Propeller shaft bearing bolt nut.....	N12311L	4	
		Propeller shaft bearing bolt L.W.....	DX4289J	4	

**1000  
1001  
FRONT AXLE**

**PARTS LIST 4 TON 6 x 6 TRUCKS  
MODELS 969B; 975; 975A**

Code	Mfr. No.	Description	Order by this Number	Quantity Required
------	----------	-------------	----------------------	-------------------

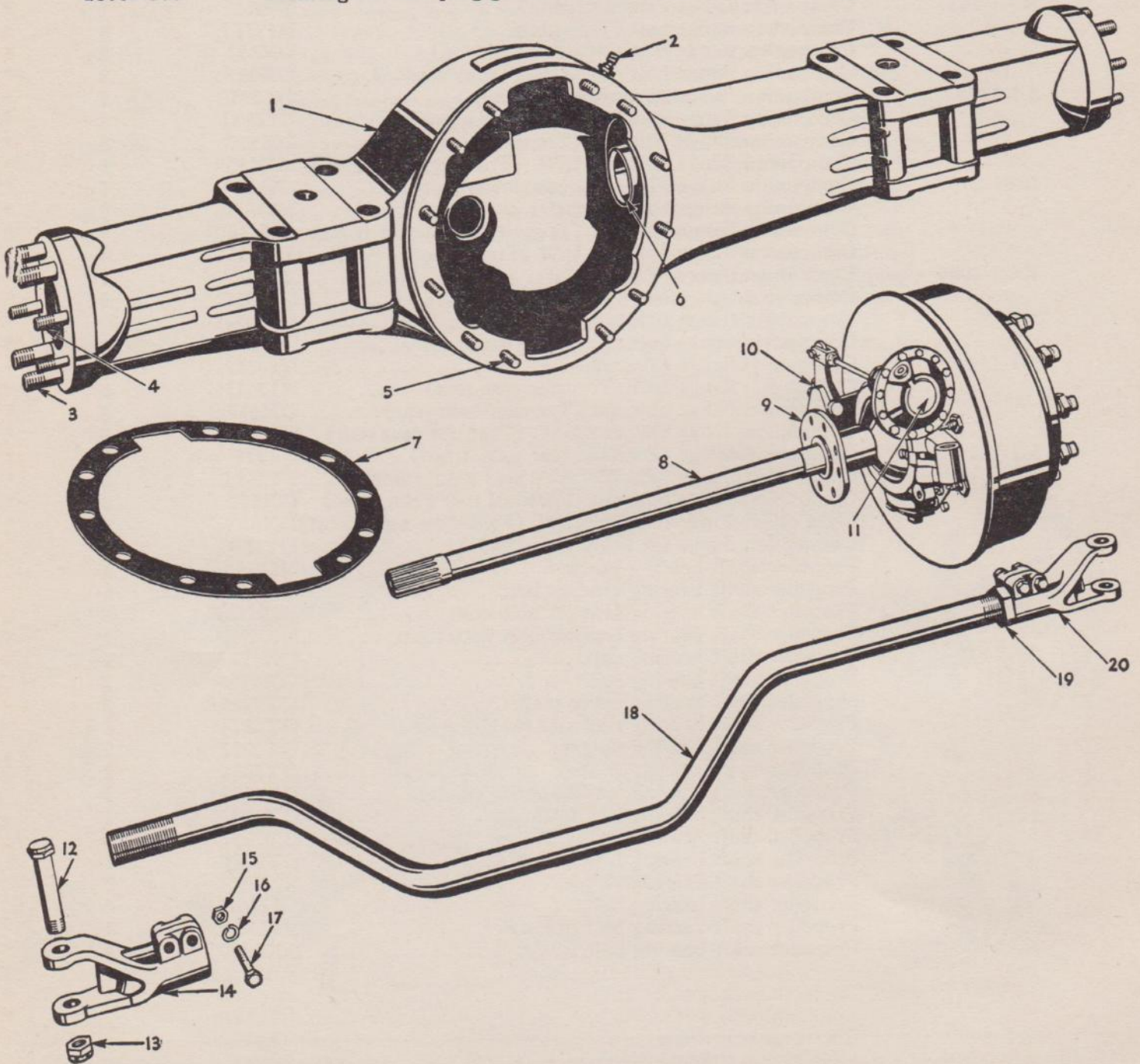
**10—FRONT AXLE**

**1000—Front Axle Assembly**

F2090-W-73-X-1 Front axle assembly (ratio 8.435-1) (Timken) .....DX5770A 1

**1001—Front Axle Housing**

A3801G397	Housing assembly .....	BB15102	1	
P28	Housing drain plug .....	R24	1	*
3885A1	Housing oil filler .....	6207C	1	
1850A1	Housing oil filler plug .....	6203C	1	*
2808N300	Housing oil filler plug gasket.....	BB5104	1	*



1. Housing Assembly.....	BB15102	8. Axle Shaft — Long, R.H.....	BB5112	15. Clamp Bolt Nut.....	X-38
2. Breather .....	BB6003	9. Housing Trunnion Socket.....	BB15112	16. Lock Washer.....	X-18
3. Stud.....	BB5108	10. Slack Adjuster.....	BB15137	17. Clamp Bolt.....	BB5182
4. Stud.....	16619M	11. Brake Diaphragm — R.H.....	BB15129	18. Tie Rod.....	BB15113
5. Stud.....	6631F	12. Tie Rod End Pin.....	BB5179	19. Tie Rod End Locknut.....	BB5178
6. Housing Sleeve — Long.....	BB5106	13. Nut.....	BB5180	20. Tie Rod End — R.H.....	BB5177
7. Gasket.....	6647F	14. Tie Rod End — L.H.....	BB5176		

PARTS LIST 4 TON 6 x 6 TRUCKS  
DIAMOND T MOTOR CAR COMPANY

**1001**  
**1003**  
**FRONT AXLE**

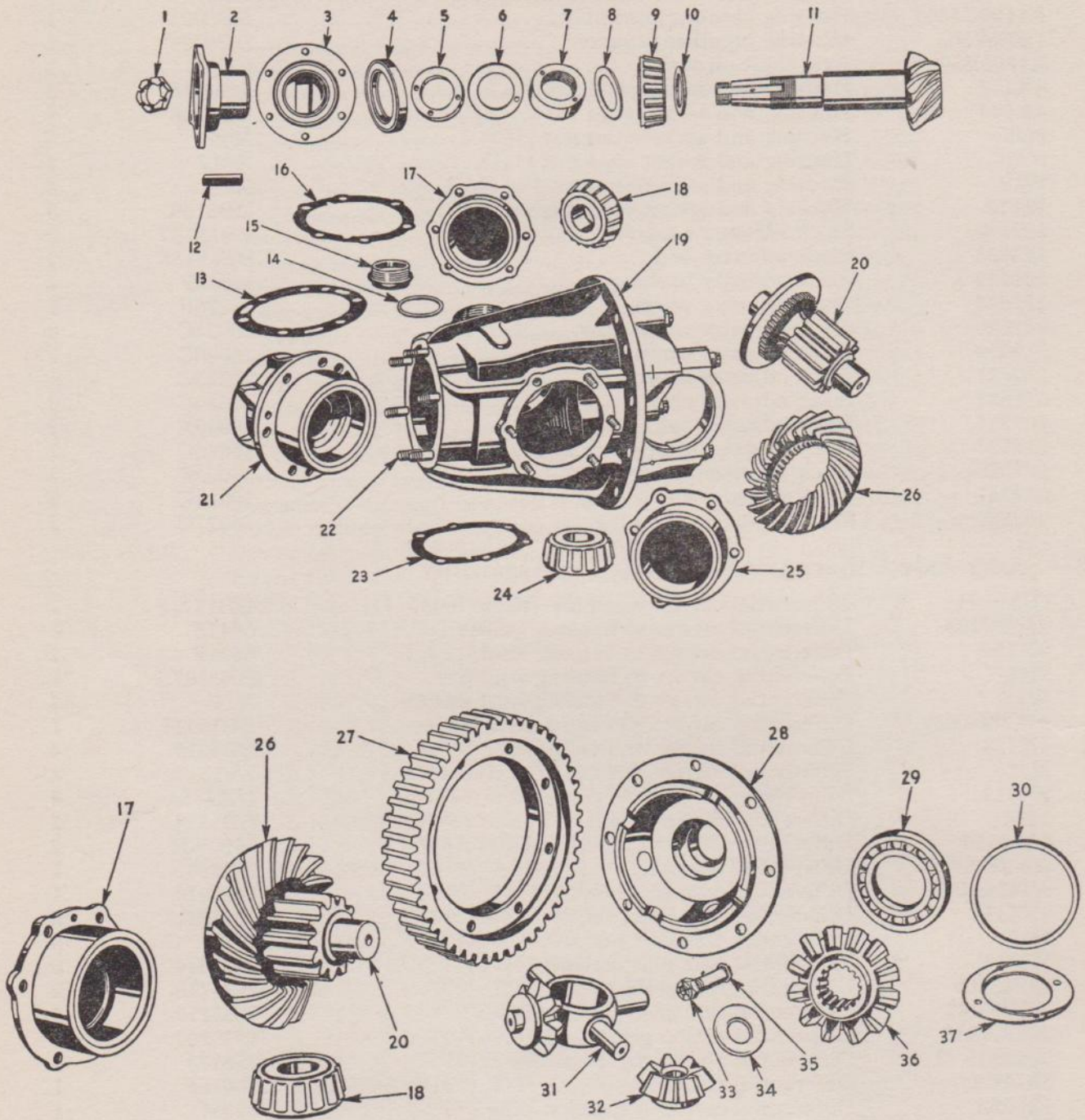
Code	Mfr. No.	Description	Order by this Number	Quantity Required	
	3816U281	Housing sleeve—long.....	BB5106	1	*
	3816T280	Housing sleeve—short.....	BB5105	1	*
	A1199C1043	Housing breather assembly.....	BB6003	1	
	1898W205	Housing breather reducer.....	BB6004	1	
	A1805B54	Axle shaft oil seal.....	6257C	2	*
	4X173	Housing and socket stud (2 $\frac{3}{8}$ " x $\frac{9}{16}$ ").....	16619M	8	*
	4X544	Housing and socket stud (2 $\frac{1}{2}$ " x $\frac{3}{4}$ ").....	BB5108	8	*
	N19	Housing and socket stud nut ( $\frac{9}{16}$ ").....	X39	8	*
	N112	Housing and socket stud nut ( $\frac{3}{4}$ ").....	X312	8	*
	W19	Housing and socket stud washer ( $\frac{9}{16}$ ").....	X19	8	*
	W112	Housing and socket stud washer ( $\frac{3}{4}$ ").....	BB5109	8	*
	220688	Slack adjuster assembly.....	BB15137	2	
	213653	Slack adjuster body.....	BB15138	2	
	201225	Slack adjuster bushing.....	35092F	4	
	212628	Slack adjuster worm.....	26026F	2	
	212629	Slack adjuster worm gear.....	26021C	2	
	212630	Slack adjuster worm shaft.....	26028C	2	
	212631	Slack adjuster cover.....	26023C	4	
	212632	Slack adjuster rivet.....	26024C	10	
	201327	Slack adjuster ball.....	26049R	2	
	212633	Slack adjuster worm lock spring.....	26046C	2	
	201326	Slack adjuster spring plug.....	35093F	2	
	212357	Slack adjuster welch plug.....	26022C	2	
	203680	Slack adjuster pipe plug.....	26027C	2	

**1002—Front Axle Differential and Carrier Assembly**

	G-356-H	Differential carrier assembly (Ratio 8.435-1).....	BB15210	1	
	2808U203	Differential carrier to housing gasket.....	6647F	1	*
	4X186	Differential carrier to housing stud.....	6631F	12	
	N48	Differential carrier to housing stud nut.....	BB5107	12	*
	W18	Differential carrier to housing stud washer.....	X18	12	*
	A8-3800E57	Differential carrier and cap assembly.....	BB15211	1	
	4X153	Differential carrier and cap stud.....	BB5212	4	
	N210	Differential carrier and cap stud nut.....	X610	4	*
	K2412	Differential carrier and cap stud nut cotter.....	DX215A	4	*
	1214	Differential carrier bearing.....	BB5214	2	*
	1829A27	Differential carrier bearing retainer ring.....	36605-F	2	*
	A9-3835N66	Differential assembly.....	BB5215	1	*
	A3835M65	Differential case assembly.....	BB5216	1	*
	15X112	Differential case bolt.....	16613F	8	*
	N29	Differential case bolt nut.....	X69	8	*
	K2410	Differential case bolt cotter.....	BB15140	8	
	2834S409	Differential side gear.....	BB5218	2	*
	1229X882	Differential side gear thrust washer.....	BB5219	2	*
	2233W413	Differential pinion gear.....	BB5220	4	*
	1829S45	Differential pinion thrust washer.....	26617J	4	*
	3878B2	Differential spider.....	16616F	1	*
	1850A1	Differential carrier inspection plug.....	6203C	1	*
	2808N300	Differential carrier inspection plug gasket.....	BB5104	1	*

**1003—Front Axle Drive Gear and Bearings**

	3892H34	Spur gear (Ratio 8.435-1).....	76666J	1	*
	3891S487	Spur pinion (Ratio 8.435-1).....	BB5223	1	*
	16X23	Spur pinion key.....	26636F	1	*
	615	Spur pinion bearing cone.....	56620F	2	*
	612	Spur pinion bearing cup.....	56621F	2	*
	A3838S19	Spur pinion bearing cage assembly L.H.....	76626F	1	
	A3838G85	Spur pinion bearing cage assembly R.H.....	BB15141	1	
	2808U47	Spur pinion bearing cage gasket.....	56630F	2	*
	2803X518	Spur pinion bearing cage shim — thin.....	BB5224	2	*
	2803C107	Spur pinion bearing cage shim — medium.....	76628F	8	*
	2803D108	Spur pinion bearing cage shim — thick.....	76629F	2	*



- 1. Nut-companion flange .....26556F
- 2. Companion flange .....DT2808
- 3. Cover assembly .....56659F
- 4. Oil seal .....BB5232
- 5. Jam nut .....76635F
- 6. Lock .....66654F
- 7. Adjusting nut .....66635F
- 8. Spinner ring .....BB5229
- 9. Bearing cone (forward) ...26623F
- 10. Pinion shaft bearing shim...BB5233
- 11. Bevel pinion .....BB5228
- 12. Key .....26636F
- 13. Gasket (pinion shaft cage)..56644F

- 14. Gasket .....BB5104
- 15. Filler plug .....6203C
- 16. Spur pinion cage gasket....56630F
- 17. Cage—L.H. ....76626F
- 18. Bearing cone (spur pinion).56620F
- 19. Carrier and cap .....BB15211
- 20. Spur pinion .....BB5223
- 21. Cage and cup assy. ....56640F
- 22. Stud (2 5/16" x 9/16")...BB5231
- 23. Spur pinion cage gasket....56630F
- 24. Bearing cone (spur pinion).56620F
- 25. Cage—R.H. ....BB15141
- 26. Bevel gear .....BB5226

- 27. Spur gear .....76666J
- 28. Differential case (not serviced as separate halves).BB5216
- 29. Differential carrier brg....BB5214
- 30. Retaining ring .....36605F
- 31. Spider .....16616F
- 32. Pinion gear .....BB5220
- 33. Nut (9/16" S.A.E. Cast.) ....X69
- 34. Pinion gear thrust washer...26617J
- 35. Bolt (differential case)....16613F
- 36. Side gear .....BB5218
- 37. Side gear thrust washer ...BB5219